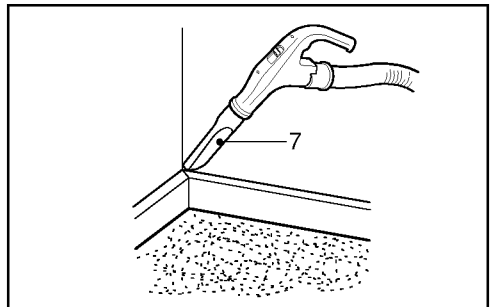
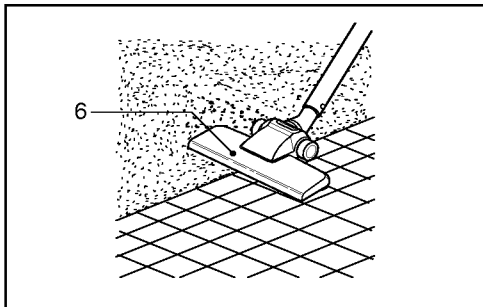
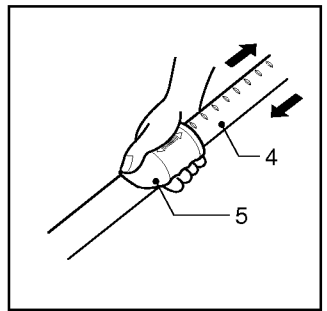
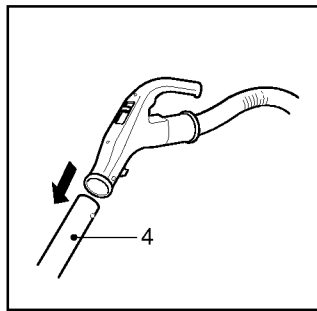
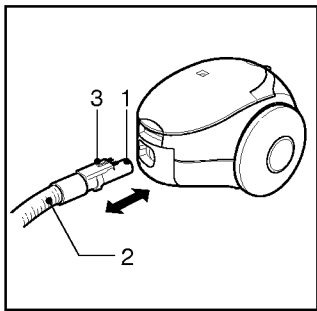
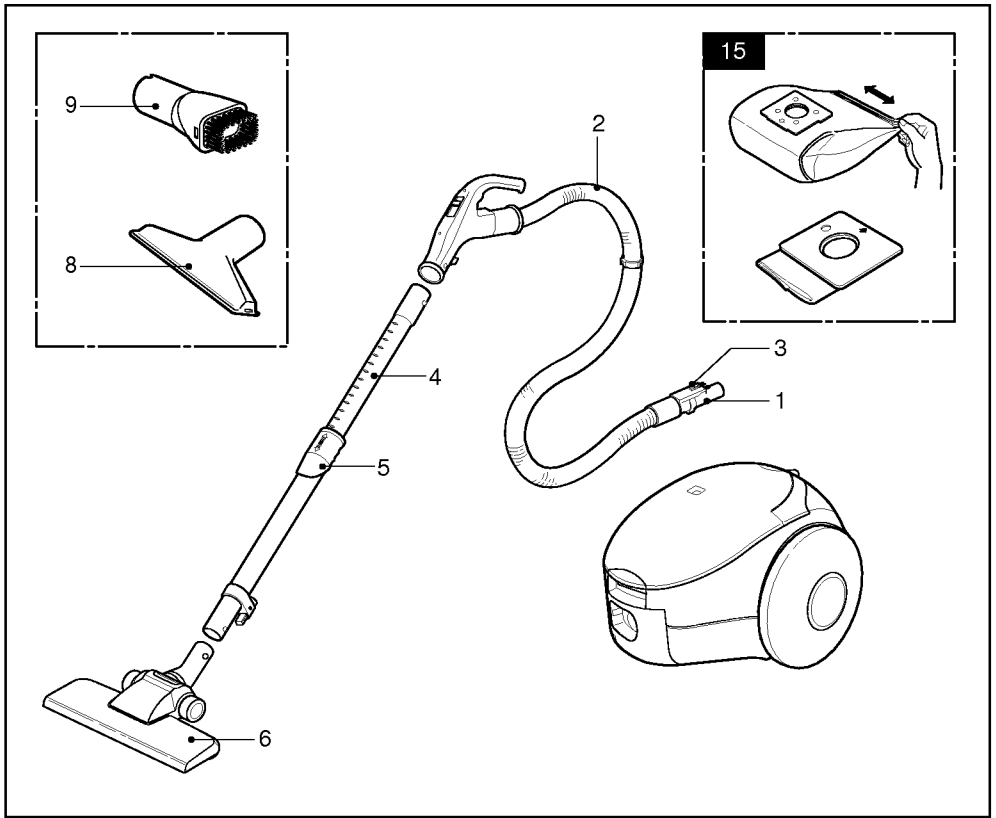
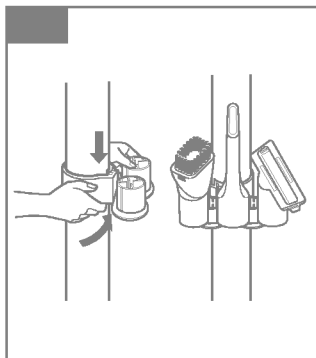
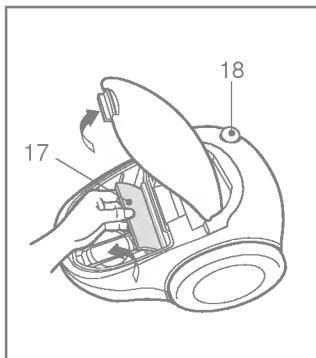
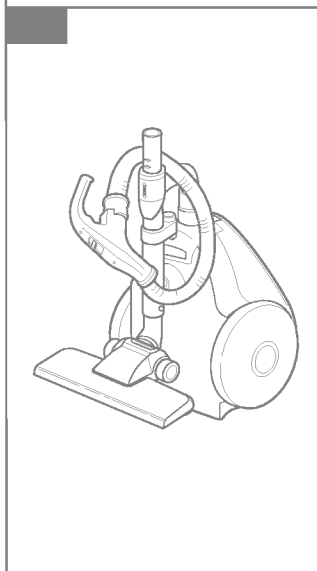
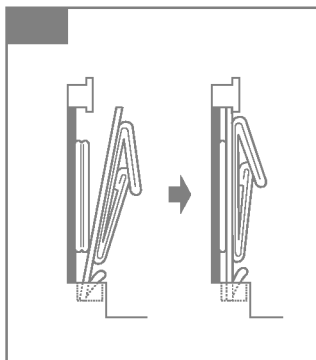
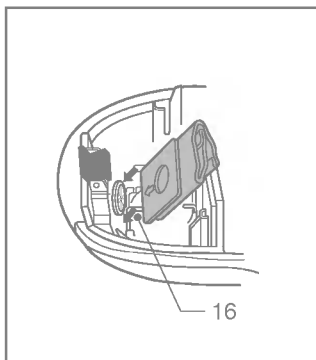
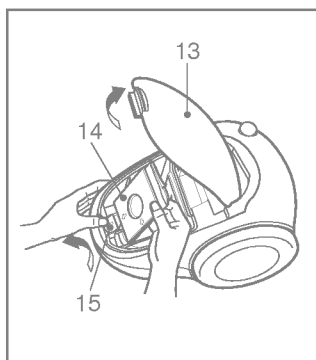
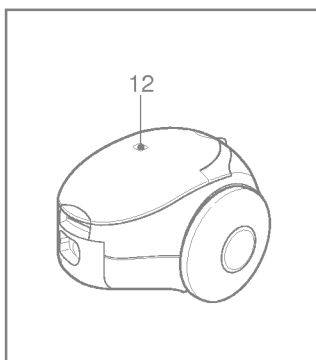
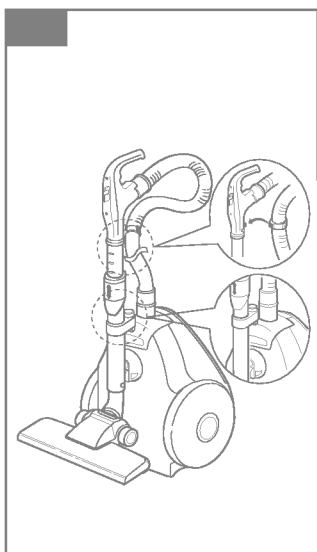
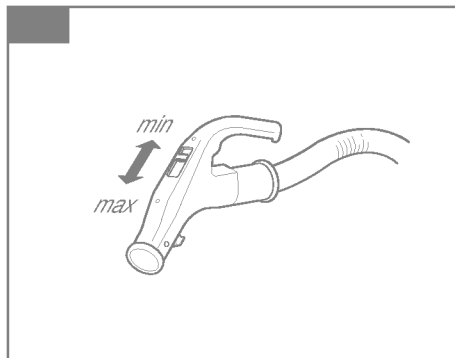
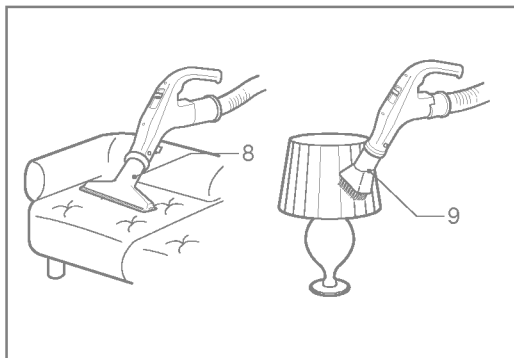


V-4200HTV







Information for your safety

Please read all the following information, which contains important instructions for the safety, the use and the maintenance of the appliance.

This appliance complies with the following EC Directives: -73/23/EEC, 93/68/EEC-Low Voltage Directive-89/336EEC -EMC Directive.

- Never allow children to use the appliance unsupervised.
- Do not use the appliance if the supply cord is damaged or faulty.
- If the supply cord is damaged, it must be replaced by an approved LG Electronics Service Agent as special tools are needed to repair it.
- Always switch the vacuum cleaner off before :
 - changing the dust bag
 - changing or cleaning the filters.
- **If no dustbag is inserted, the cover cannot be closed. Please do not use force!**
- Do not vacuum flammable or explosive substances (liquids or gases).
- Do not vacuum hot ash, embers etc. nor sharp objects.
- Do not vacuum water or other liquids.
- Please make sure when using the carrying strap that it is securely fitted.
- The use of radio transmitting devices close to the appliance may interfere the function of the appliance, input power may vary.
- When you vacuum with an attachment appliance that has a rotating brush roller:
 - do not reach into the running brush roller.

How to Use

Connecting the flexible hose

Insert the hose holder(1) into the suction opening.

When the hose(2) is to be disconnected from the appliance, press the release button(3) and pull the the hose holder out of the suction opening.

Assembling the tubes

- **Telescopic tube(4)**
 - Hold spring latch(5)
 - Pull out tube to required length.
 - Release spring latch to lock.

Using the cleaning head and Accessory Nozzles

Fit the large cleaning head onto the end of the tube.

- **If your appliance is equipped with an automatic cleaning head(6) without pedal, it automatically adapts to the type of floor to be cleaned.**
- **Crevice Tool(7)**

For vacuuming in those normally inaccessible places i.e. reaching cobwebs, or down the side of a sofa!
- **Upholstery Nozzle(8)(Option)**

For vacuuming upholstery, mattresses, etc. The thread collectors help to pick up the threads and fluff.
- **Dusting brush(9)(Option)**

For vacuuming picture frames furniture outlines, books and other uneven objects.
- Accessory Holder can be attached on the Extension wands using clamping hook. **(19)**
- Accessory Holder can be stored in the holder.**(19)**

How to plug in and use

Pull out the mains lead to the desired length and plug into the socket.

Adjusting the power level

• Electronic power control(10)

Suction capacity increases steplessly up to MAX.

Storing the cleaner

When you have switched off and unplugged the appliance, press on the button (18) to automatically rewind the cord (depending on model).

- Use stowage clip as shown when storing the cleaner(11).

Changing the dust bag

The dustbag needs changing when the cleaner is set to maximum power and the cleaner head is off the floor but the "bag full" indicator window(12) is completely coloured red.

Even if the dustbag does not appear to be full at this stage, it should be changed.

It could be that a great deal of very fine dust has clogged up the pores of the dust bag.

- Turn off the appliance and unplug it.
- Remove hose.
- Open the cover(13).

Your appliance is equipped with either a paper dust bag or a fabric dust bag (14). (depending on model)

- Push the lever forwards in the direction of the arrow(15), and pull off the full paper filter bag towards the rear. Remove the bag and throw it away.
- Insert the new paper filter bag into the unit with the arrow pointing downwards(16).

If your appliance is fitted with a dust bag, empty it and replace it.

Note: as the appliance is fitted with a safety device which checks that the bag is in place you cannot close the lid if the bag is not fitted correctly.

Cleaning the motor filter

The motor filter is situated inside the appliance between the dust bag and the motor. Each time that you change the air outlet filter we advise you to remove the motor filter(17) and to clean it by tapping to remove the dirt and then replacing it in the vacuum cleaner.

What to do if your appliance does not work

Check that the appliance is correctly plugged in and that the electrical socket is working.

What to do when the suction performance reduces?

- Stop the appliance and unplug it.
- Check that the tubes, flexible hose and cleaning tool are not blocked.
- Check that the dust bag is not full. Replace if necessary.
- Check that the air outlet filter is not blocked. Replace if necessary.



LG Electronics Inc.

<http://www.lge.com/>