



CD-R/RW Drive

Owner's Manual

To enjoy fully all the features and functions of your product, Please read this owner's manual carefully and completely.

Questo manuale include il tagliando di garanzia. (pagina n. I-15)



GCE-8160B

CAUTION : The laser used in the CD-R/RW drive can damage your eyes.
Do not attempt to open the cover.
To reduce the risk of electric shock, do not remove cover (or back).
No user-serviceable parts inside.
Refer servicing to qualified service personnel.

Use of controls or performance of procedures other than those specified here in may result in hazardous radiation exposure.

WARNING : To reduce the risk of fire or electric shock, do not expose this appliance to rain or moisture

Industry Canada requirement

This class B digital apparatus meets all requirements of the Canadian Interference-Causing Equipment Regulations.

Cet appareil numérique de la classe B respecte toutes les exigences du Règlement sur le matériel brouilleur du Canada.

FCC COMPLIANCE STATEMENT

Note : This equipment has been tested and found to comply with the limits for a Class B digital device, pursuant to Part 15 of the FCC Rules.

These limits are designed to provide reasonable protection against harmful interference in a residential installation. This equipment generates, uses, and can radiate radio frequency energy and, if not installed and used in accordance with the instructions, may cause harmful interference to radio communications. However, there is no guarantee that interference will not occur in a particular installation. If this equipment does cause harmful interference to radio or television reception, which can be determined by turning the equipment off and on, the user is encouraged to try to correct the interference by one or more of the following measures:

- Reorient or relocate the receiving antenna.
- Increase the separation between the equipment and receiver.
- Connect the equipment into an outlet on a circuit different from that to which the receiver is connected.
- Consult the dealer or an Authorized Service Center for help.

• **FCC WARNING**

Changes or modifications not expressly approved by the party responsible for compliance could void the user's authority to operate the equipment.

- This CD-R/RW Drive is for use only with UL listed personal computers that have installation instructions detailing user installation of card cage accessory.

This product is manufactured to comply with the radio interference requirements of EEC DIRECTIVE 89/336/EEC, 93/68/EEC and 73/23/EEC.

CAUTION - INVISIBLE LASER RADIATION WHEN OPEN AVOID EXPOSURE TO BEAM.

VARNING-OSYNLIG LASERSTRÅLNING NÄR DENNA DEL ÄR ÖPPNAD STRÅLEN ÄR FARLIG.

CLASS 1	LASER PRODUCT
KLASSE 1	LASER PRODUKT
LUOKAN 1	LASER LAITE
KLASS 1	LASER APPARAT

- PC DOS is a trademark of IBM Inc.
- Roxio and the Roxio logo are trademarks of the Roxio Corporation.
- MS-DOS, Windows, and Windows® 95 are trademarks registered in the United States and other countries by the Microsoft Corporation.
- The company names and product names written in this manual are trademarks or registered trademarks of the respective companies.

This unit uses CD-ROM discs with the following mark



When you use this unit as a CD player, use compact discs with the following mark



This unit uses CD-R discs with the following mark.



This unit uses CD-RW discs with the following mark.



This unit uses High Speed CD-RW discs with the following mark.



WARNING: Only CD-RW drivers (such as the GCE-8160B) bearing the logo "Compact Disc ReWritable High Speed" can write or erase High Speed CD-RW media.

High Speed CD-RW Media may be recognized by the same "Compact Disc ReWritable High Speed" logo on the disc label or packaging material, or by the fact that it lists recording speeds of "4X to 10X, or "Up to 10X"

Attempted writes to High Speed CD-RW media using CD-RW drives NOT bearing the logo "Compact Disc ReWritable High Speed" may result in data loss.



Contents

Introduction	Features	2
	Important Precautions	3
	System Environment	4
	Location and Function of Controls	5
Installation	Installing the Drive	6
	Device Drivers	11
Operation	How to Use the Discs	12
Appendix	Troubleshooting	13
	Specifications	14
	Warranty	15

Introduction

Thank you for
purchasing this
CD-R/RW Drive.

Features

- Running OPC* gives a flatter writing signal that improves reliability.
- Enhanced-IDE (ATAPI) interface.
- Power tray loading and ejection of disc.(The disc can also be ejected manually.)
- The recorded CD-RW media can be played in a DVD player or a multiread CD-ROM Player, maintaining future compatibility.
- Supports UDF for easy writing to CD-RW discs.
- Supports Windows 95, 98, 2000 & ME/NT4.0
- 16X^{Record}/10X^{ReWrite}/40X^{Read}

Writing speed depends on capabilities of discs.

As a result, for high speed write/rewrite, you should use media labelled high speed ReWritable discs

- Automatic buffer underrun error prevention technology - "Super Link".
- * Continuously monitors the signal level during recording and adjusts the laser power to compensate when the disc is dirty, insuring a flat signal.

Package Items

Item	Quantity
- Internal CD-R/RW Drive	1
- CD Recording Software	1
- Blank CD-RW Disc	1
- E-IDE (ATAPI) cable	1
- Audio Cable	1
- Mounting Screws	4
- Manual for CD-R/RW Drive	1
- Manual for CD Recording Software	1

Important Precautions

Follow these precautions when handling the drive or discs.

Precautions

- Please take notice that the manufacturer of this equipment does not offer any warranty against data loss due to inappropriate installation or handling, or direct or indirect damages.
- Please take notice that the manufacturer will bear no responsibility for direct or indirect damages caused by the use of this product or its malfunction.
- Please take notice that the manufacturer will bear no responsibility for damage to data caused by this product.
- Please backup (copy) all important data as protection against data loss.

Installation

- Avoid placing the drive in a location subject to:
 - high humidity
 - high temperature
 - excessive dust
 - mechanical vibration
 - direct sunlight

We recommend using the drive in a horizontal or vertical position. Do not use it in tilted position.

Operation

- Don't move the drive suddenly from a cold place to a warm one or raise the room temperature suddenly. Condensation may occur, causing abnormal operation.
- Make sure to remove the disc before moving the drive. The disc may be damaged, causing data loss.
- Be careful to prevent foreign objects, such as liquids or metal, from entering the drive. In case a foreign object enters the drive, please consult the dealer where the drive was purchased.
- Don't interrupt the electric power while the drive is operating.
- When connecting two IDE devices to the Primary or Secondary connectors, make sure that the two devices are not configured as both Master, or both Slave. If they are both set the same, Windows may fail to run or recognize the drives.
- The total length of the IDE cable should be no more than 18 inches (about 45 cm).

Computer

System Environment

This unit can be operated in the system environment explained here.

System requirements	CPU	233MHz (or faster) Pentium (for 16x speed, 350MHz or faster recommended)
	Memory	Windows 95/98 : 64MB or greater. Windows NT Workstation Ver. 4.0: 64MB or greater (128MB or over recommended) Windows 2000: 128MB or greater(256MB or over recommended) Windows ME: 64MB or greater
Hard disk		Hard disk with average access time of 19 msec or less, and data transfer speed of 2400KB/sec or greater. 75MB or more free space. (The free space needed for writing depends on the quantity of data.)
Interface		Enhanced-IDE interface (as Primary Slave, Secondary Master or Slave)
Drive bay		5.25-inch half-height bay required
Power		+5V/+12V power socket required
Software Required OS		Windows 95/98/2000/ME, Windows NT Workstation Ver.4.0 or later
CD-R, CD-RW discs		CD-R : Ricoh, Mitsubishi Chemical, Verbatim, Taiyo Yuden, Fuji Film, Kodak, or Imation discs are recommended. CD-RW : Ricoh, Mitsubishi chemical, Verbatim, Imation, Sony discs are recommended..

❑ Occasionally the CD-R and CD-RW discs written by the CD-R/RW drive cannot be read by other CD drives*. These unreadable discs may need to be read using the CD-R/RW drive on which require written.

* The disc written using the CD-R/RW drive might not be readable by CD-ROMs other than Multi-read compatible (UDF compatible) CD-ROMs.

Multiread compatible (UDF compatible) CD-ROMs are:

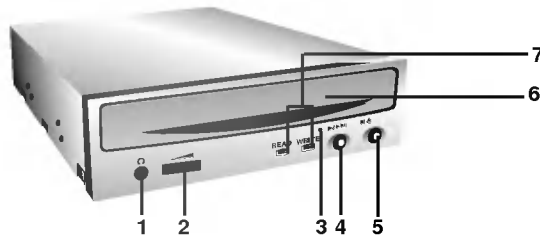
1. CD-ROMs that can read low reflectance.
2. CD-ROMs that support Packet Write.

Software

Install the supplied CD Recording Software before using this unit.

Location and Function of Controls

Front Panel



1. Headphone jack
2. Volume control
3. Emergency Eject Hole
4. Play/Skip button
5. Stop/Eject button
6. Disc tray

7. Drive activity indicators

Two colored LEDs are used to indicate the operation of CD-R/W Drive.

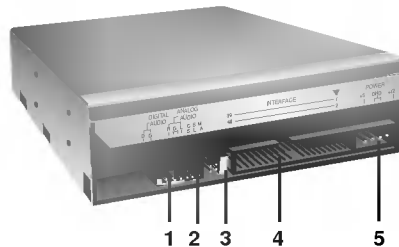
(1) Read

The orange color is displayed when the spindle motor begins the Spin up operation: accessing data, reading data, playing Audio, and up loading tray.

(2) Write

The green color is flashed during disc writing sessions.

Rear Panel



1. Digital Audio Output Connector
2. Analog Audio Output Connector
3. Jumper Connector

This jumper determines whether the drive is configured as a master or slave. Changing the master-slave configuration takes effect after power-on reset.

4. IDE Interface Connector

Connect to the IDE (Integrated Device Electronics) Interface using a 40-pin flat IDE cable.

NOTE : Do not connect or disconnect the cable when the power is on, as this could cause a short circuit and damage the system. Always turn the power OFF when connecting or disconnecting the cable.

5. Power Connector

Before Installation

Removing the Computer Cover

Mounting the Drive

Installing the Drive

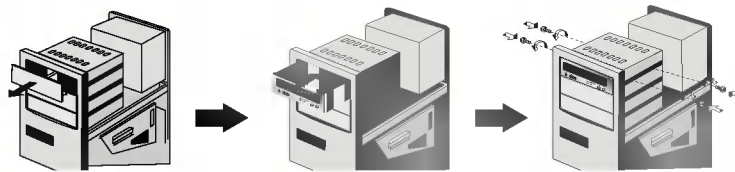
Before installing the drive, please note the following points.

- You will need the following:
 - A screw driver of a suitable size to fit the securing screws for the drive unit.
 - The manual for the computer, so you can find the mounting positions for the IDE controller cable.
- Turn off all peripheral appliances of the computer and the computer itself, and disconnect their power cords from the wall sockets.
- Discharge any static electricity on your person by touching the computer covers, etc.

Make sure all peripheral devices of the computer and the computer itself are turned off, and then remove the cover. Refer to the manual for the computer for details about removing the cover.

NOTE : There may be sharp edges inside the computer so take care to avoid injury.

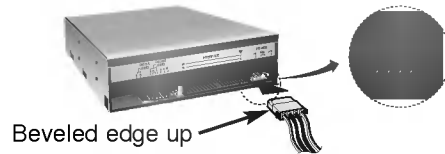
1. Remove the 5¹/₄" drive bay panel from the computer. Refer to the manual for the computer for details.
2. Insert the drive unit into the bay. Do not apply excessive pressure to the cables inside the computer.
3. Secure the drive with the screws provided. If there is not enough space behind the drive, connect the IDE and other cables before securing the drive.



NOTE : This is a general installation guide. If your PC hardware appears different, please consult your hardware manual for installing peripheral devices.

Connecting the Power Connector

Connect the power cable from the computer's power supply to the socket on the drive unit, fitting the connector firmly into the power in connector. If there is no spare power cable available in the computer, you will have to purchase a splitter cable of a suitable type.

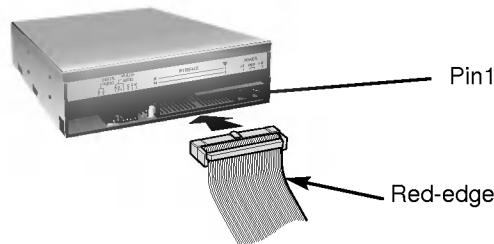


NOTE : Improper connection may damage the drive and void the warranty. Generally, the Power connector can only fit one way.

Connecting the Interface Connector

Connect the 40 pin IDE cable to the back of the CD-R/W Drive, making sure the coloured (red) stripe on the IDE cable is connected to pin 1 on the CD-R/W drive. Pin 1 is closest to the Power Connector.

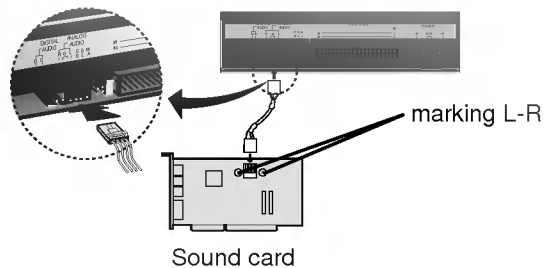
NOTE : Generally, the IDE connector is keyed and will only fit one way.



Connecting the Sound Card

If the computer is using a sound card, the drive is connected to the sound card with an audio cable. The supplied analog audio cable fits most sound cards or one can be purchased at a local computer store.

Refer to the manual for the sound card for detailed information regarding connection.

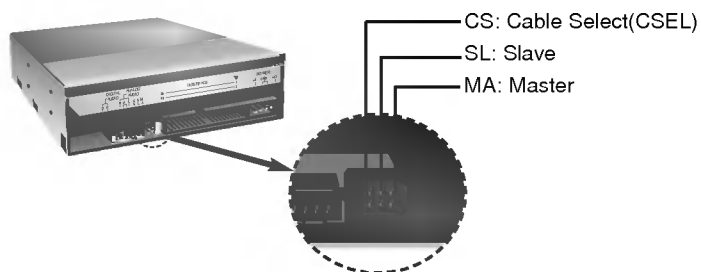


Jumper Setup

Before installation, set the jumper on the jumper connector on the rear panel.

The drive can be connected as the Master or Slave on an EIDE (ATAPI) interface. When several (up to four) EIDE devices are connected, each must be set in a unique way. Specific knowledge of hardware and software is necessary to install the drive.

NOTE : If two peripheral devices with the same settings are both connected to the Primary or to the Secondary EIDE bus, the host computer may fail to run or may malfunction. Careful attention is necessary.



NOTE : Only one jumper should be installed on the jumper connector. If more than one jumper is installed, the drive may malfunction or be damaged.

Master/Slave setting is determined by jumper installation on the Jumper Connector. The following table shows the possible jumper settings.

Name	Function	C	S	M
		S	L	A
MA (Master)	Drive set as Master	<input type="radio"/>	<input type="radio"/>	<input checked="" type="checkbox"/>
SL (Slave)	Drive set as Slave	<input type="radio"/>	<input checked="" type="checkbox"/>	<input type="radio"/>
CS (Cable Select)	Drive mode set by CSEL on the host IDE interface	<input checked="" type="checkbox"/>	<input type="radio"/>	<input type="radio"/>

If you use CSEL setting, the MASTER/SLAVE setting will be made automatically, depending on the hardware configuration.

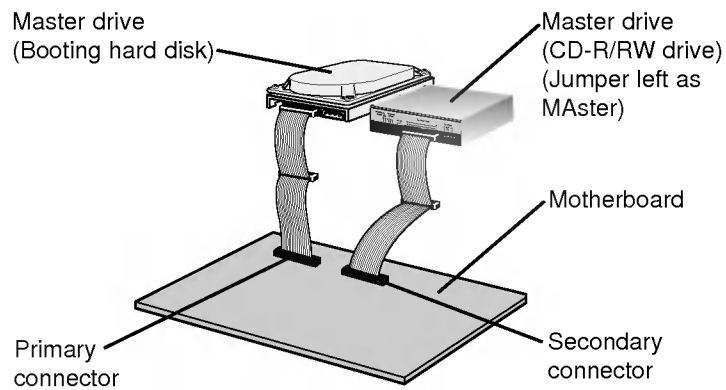
For details refer to the manual of your computer.

PC Connection

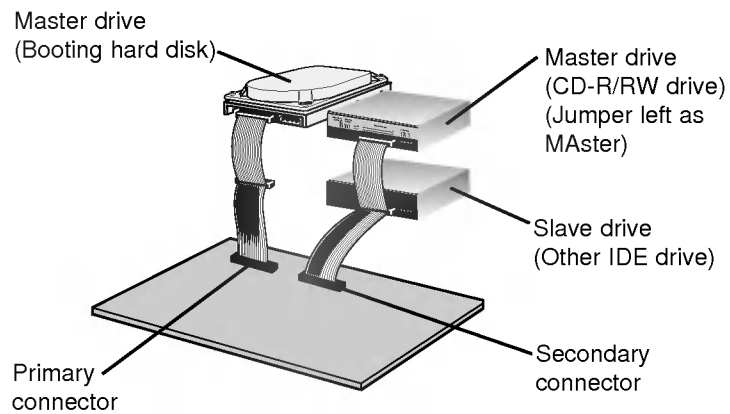
To Install as a Master Drive

The CD-R/RW drive connects to the motherboard of the host computer using an IDE interface cable. You may connect the CD-R/RW Drive as a Slave or Master device, depending on your computer.

To install the drive as a Master, the jumper can be left as supplied from the factory.



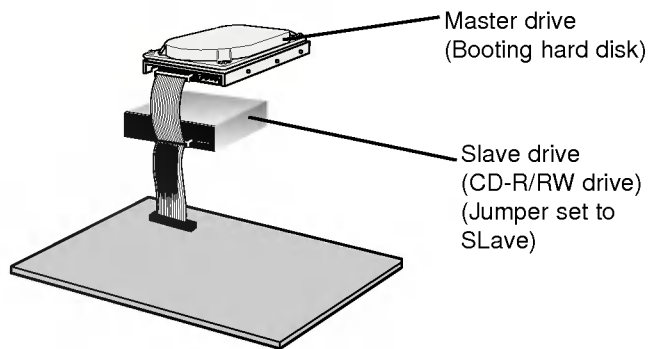
- OR -



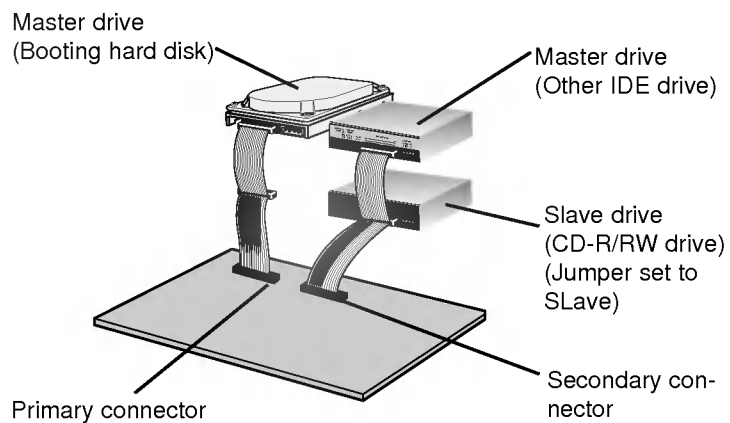
NOTE : A hard disk is normally installed as the Primary Master on the EIDE (ATAPI) interface. Other EIDE peripheral devices such as hard drives and CD-ROMs are then set differently.

To Install as a Slave Drive

To install the drive as a Slave, change the jumper setting on the rear panel to SL.



- OR -



Replacing the Computer Cover

When the installation of the drive unit is complete, replace the computer cover.

Device Drivers

When using Windows 95/98/2000/ME or Window NT Workstation Ver.4.0, no special device driver is required. Your system, upon Power On and bootup after installing and connecting the new CD-RW drive, will recognize and load native software drivers automatically.


The DOS and Windows 3.1 users can download the DOS Device drivers anytime via internet.

For your information, please consult the following internet sites:


<http://www.lge.com>

<http://www.lgeservice.com/drivers.html>

For Windows 95/98/2000 Users

- In order to ensure normal drive operation, please check the following:
 - The drive is displayed in
 - Windows 95/98 : [Control Panels]-[System]-[Device Manager]-[CD-ROM]
 - Windows 2000 : [Control Panels]-[System]-[Hardware]-[Device Manager]-[DVD/CD-ROM-Drive]
 - 32-bit is displayed in [Control Panels]-[System]-[Performance]
- If the drive is not recognized by your computer, please check the following items.
 - If a  indicator is displayed on the IDE controller in [Control Panels]-[System]-[Devices Manager]-[Hard Disk Controller], you will need to contact your PC's manufacturer or the motherboard's manufacturer and get the appropriate IDE controller driver.
- Run **Add New Hardware** in Control Panel to let PC search again for new device.

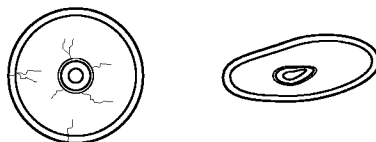
For Windows NT Workstation Ver.4.0 Users

- In order to ensure normal drive operation, please check to see if the drive is displayed on the IDE controller in [Control Panels]-[SCSI Adapter]-[Devices]
- If the drive is not recognized by your computer, a  indicator is displayed on the IDE controller in [Control Panels]-[SCSI Adapter]-[Devices], you will need to contact your PC's manufacturer or the motherboard's manufacturer and get the appropriate IDE controller driver.

How to Use the Discs

When using CD-ROM discs, CD-R discs or CD-RW discs, don't attach any stickers or labels to the discs. Using discs with them attached not only causes read and write errors, but data on the disc may be lost due to damage to the disc itself.

The Discs in this unit operate at a very high speed!
DO NOT use damaged, cracked or warped discs. The drive's optical unit may be damaged if they break.



DO NOT use non-standard discs. NON-standard discs may not play or store data properly.

Emergency Eject

This drive has a feature that allows the CD to be ejected manually if this becomes necessary in an emergency, such as failure of the drive or a power outage.

NOTE: Don't use this feature except in an emergency.

- 1) Turn the power to OFF.
- 2) Poke a fine-tipped object (such as a straightened heavy duty paper clip) into the small hole above the eject button. The front door will pop open and the disk tray will come partway out.
- 3) Pull the front door to open it all the way, then grip the disc tray between thumb and forefinger and gently pull it straight out.



NOTE: This feature is a last measure to be used only in an emergency. Using it excessively will cause malfunction.

* If you cannot get a good grip on the disc tray with your fingers, use a steel binder clip or spring clamp to pull it out.

**Before
Requesting
Service**

Troubleshooting

Before calling for service, check this list.

- The drive doesn't have power.
 - Is the power supply cable from the host computer plugged in?
 - Is the Power Connector to the drive securely attached?
- The system doesn't start.
 - Are the Primary and Secondary connections and the Master and Slave settings correct?
 - Is the total length of the IDE cable 18 inches or less?
 - Is each connector completely attached?
Movement of the PC may loosen connections.
- Cannot Read or Write Discs.
 - Is the condition of everything else in the system (CPU, hard disc, and others) as it should be? (See system environment page 4.)
 - Does the CD-R or CD-RW disc have dirt or scratches?
 - Did a screen saver or other application operate while writing to the disc?
 - Is there enough free space on the CD-R/RW disc?
 - Does writing fail even using the simulation test?
 - Is the disc loaded in the drive with the read/write surface facing the right direction? (label up)
 - Is the drive installed in the correct orientation?
 - Was the drive or disc moved from a low temperature environment to a high temperature environment? (There is a possibility of condensation on the lens in the drive or on the surface of the disc.)

When you call for service, be prepared to give as much information as possible of your system, environment, and the specific problem. (What happened? When? How long? What was going on? Were there any error messages displayed? etc.)

DirectCD™ v2.50(s)

Specifications

Type	Internal type (bare drive)			
Interface	Enhanced-IDE (ATAPI)			
Data buffer memory	2MB			
Disc diameter	12cm, 8cm, standard size CD's			
Data Transfer Rate	* Sustained Read : 16 to 40x CAV: 2.4MB to 6.0MB/s Write : CD-R : 4x: 600KB/s CD-RW : 2x: 300KB/s 8x: 1200KB/s 4x: 600KB/s 12x: 1800KB/s 10x: 1500KB/s 16x: 2400KB/s * Burst (ATAPI) 16.67MB/s (PIO Mode 4, MULTI-DMA Mode 2)			
Average access time	Random 110ms. <Typical>			
Mounting direction	Horizontal/Vertical			
Compatible formats	Format	<Write>	<Read>	<Play>
	CD-DA	•	•	•
	CD-ROM	•	•	
	CD-Extra	•	•	•
	CD-ROM XA	•	•	•
	Photo CD	•	•	
	CD-I	•	•	
	CD-ROM+CD-DA	•	•	•
Video CD	•	•	•	
Loading system	Tray type (automatic loading/eject)			
Power	DC5V, DC12V			
Weight	Less than 2lbs.(0.90Kg)			
Dimensions (WxHxD)	5.75"x7.27"x1.63" (146 x 184.7 x 41.3 mm)			
Error Rate	10 ⁻¹² bits or less			
MTBF	120,000 hours Power On Hours (Duty Cycle 10%)			
MTTR	Within 30 minutes			
Audio Output Level	Line out : 0.7 Vrms at 47 kohm Headphone : 0.6 Vrms at 32 ohm			
Environmental Conditions	When operating		When not operating	
Temperature	5 °C to 40 °C (No air cooling)		-20 °C to 60 °C	
Humidity	10% to 80% R.H. (No condensation)		10% to 80% R.H. (No condensation)	

The drive's appearance and specifications may change without prior notice.

CD-R/RW LIMITED WARRANTY

LG will repair or at its option replace*, without charge, your product which proves to be defective in material or workmanship under normal use, during the warranty period listed below from the date of original purchase.

<u>MODEL #</u>	<u>WARRANTY PERIOD</u>	
	<u>Div.</u>	<u>Labor & Parts</u>
GCE-8160B	Personal or Non-Income producing use:	1 Year
	Commercial or Income producing use:	90 days

No other express warranty is applicable to this product. THE DURATION OF ANY IMPLIED WARRANTIES, INCLUDING THE IMPLIED WARRANTY OF MERCHANTABILITY, IS LIMITED TO THE DURATION OF THE EXPRESS WARRANTY HEREIN. WE SHALL NOT BE LIABLE FOR THE LOSS OF THE USE OF THE PRODUCT, INCONVENIENCE, LOSS OR ANY OTHER DAMAGES, DIRECT OR CONSEQUENTIAL, ARISING OUT OF THE USE OF, OR INABILITY TO USE, THIS PRODUCT OR FOR ANY BREACH OF ANY EXPRESS OR IMPLIED WARRANTY, INCLUDING THE IMPLIED WARRANTY OF MERCHANTABILITY APPLICABLE TO THIS PRODUCT.

Some states do not allow the exclusion or limitation of incidental or consequential damages or limitations on how long an implied warranty lasts; so these limitations or exclusions may not apply to you. This warranty gives you specific legal rights and you may also have other rights which vary from state to state.

THE ABOVE WARRANTY DOES NOT APPLY:

1. To damages or problems which result from delivery or improper installation.
2. To damages or problems which result from misuse, abuse, accident, alteration, or incorrect electrical current or voltage, maintenance conditions.
3. To service calls which do not involve defective workmanship or material and explaining the operation of the unit.
4. If the serial number of the drive is defaced or missing.

Therefore these costs are paid by the consumer.

CUSTOMER ASSISTANCE NUMBERS:

If you have questions about using this product, check your user's manual first. You will find answer to most of your questions there. If you need further assistance, please contact us. We offer the following support and information services.

To Prove Warranty Coverage: → Retain your Sales Receipt to prove date of purchase.
→ Copy of your Sales Receipt must be submitted at the time warranty service is provided.

To Obtain Product, Customer, or Service Assistance: → Call 1-800-243-0000 24 hrs/7 days
Push appropriate menu code.
or <http://www.LGService.com/techsup.html> for support by E-mail.

For Exchange Service: → Call 1-800-243-0000 (Mon~Fri 8am~5pm CST)
Push appropriate menu code.

* Replacement is a factory-reconditioned unit. Free replacement applies only within the initial one-year period. Factory-reconditioned units are available at a low, fixed cost after the one-year warranty expires.

* Although the information (specifications, contacts, etc.) was correct at the time of printing, anything in this manual is subject to change without prior notice.


English

Deutsch

Français

Italiano

Español

Copyright © 2001  LG

LG Electronics U.S.A. Inc.
1000 Sylvan Ave. Englewood Cliffs
NJ 07632 U. S. A.

LG Electronics Canada Inc.
235 Superior Blvd, Mississauga
Ontario, Canada

LG Electronics Deutschland GMBH
Jakob-Kaiser-Straße 12,
D-47677 Willich, Germany

LG Electronics U. K. Ltd.
LG House, 264 Bath Road,
Slough Berkshire SL1 4DT
United Kingdom

Goldstar France SARL
12, Rud Lech Walesa-Z.I. Pariest
77185 Lognes, France

LG Electronics Italia S.P.A.
Centro Direzione "IL Quadrato" Via Modigliani,
20090 Segrate (MI) Italy

LG Electronics España
Adva, De Europa, 21
28108 Alcovendas (Madrid) Spain

LG Electronics Australia Pty Ltd.
23, pike st Rydalmere NSW 2116
or <http://www.lge.com.au>



Website ; <http://www.lge.com>
<http://www.LGService.com>

P/NO. 3828HM1029C

Printed in Korea