



MICRO COMPONENT SYSTEM

Owner's Manual

**MODELS : FFH-171A/AX/AD
FE-171E**

Please read this manual carefully before operating your set. Retain it for future reference.

Designs are subject to change without notice for improvement.



P/NO.:3828R-A004E

ENGLISH

<div style="display: inline-block; text-align: center; border: 1px solid black; padding: 2px;"> CAUTION RISK OF ELECTRIC SHOCK DO NOT OPEN </div>
CAUTION: TO REDUCE THE RISK OF ELECTRIC SHOCK DO NOT REMOVE COVER (OR BACK) NO USER SERVICEABLE PARTS INSIDE. REFER SERVICING TO QUALIFIED SERVICE PERSONNEL

Explanation Graphical Symbols:



The lightning flash with arrowhead symbol, within an equilateral triangle is intended to alert the user to the presence of uninsulated dangerous voltage within the product's enclosure that may be of sufficient magnitude to constitute a risk of electric shock to persons.



The exclamation point within an equilateral triangle is intended to alert the user to the presence of important operating and maintenance (servicing) instructions in the literature accompanying the appliance.

WARNING:

TO REDUCE THE RISK OF FIRE OF ELECTRIC SHOCK, DO NOT EXPOSE THIS APPLIANCE TO RAIN OR MOISTURE.
 To avoid electrical shock, do not open the cabinet, Refer servicing to qualified personnel only.

CAUTION

Use of controls or adjustments or performance of procedures other than those specified herein may result in hazardous radiation exposure.

(FOR THE CUSTOMERS IN EUROPE)

If this product is marked with the CE-symbol, it means which is conformed to EMC regulation 89/336/EEC.

Laser component in this product is capable of emitting radiation exceeding the limit for Class 1.

CAUTION: INVISIBLE LASER RADIATION WHEN OPEN AND INTERLOCKS DEFEATED. AVOID EXPOSURE TO BEAM.

VARNING: OSYNLIG LASERSTRÅLNING NÄR DENNA DEL ÄR ÖPPNAD STRÅLEN ÄR FARLIG.

Attention: Quand l'appareil est ouvert, ne pas s'exposer aux radiations invisibles du faisceau laser.

This label is located on the interior.

CLASS 1	LASER PRODUCT
KLASSE 1	LASER PRODUKT
LUOKAN 1	LASER LAITE
KLASS 1	LASER APPARAT
CLASSE 1	PRODUIT LASER

This Compact Disc player is classified as a CLASS 1 LASER product.
 The CLASS 1 LASER PRODUCT label is located on the exterior.

(FOR CUSTOMERS IN CANADA)

CAUTION:

TO PREVENT ELECTRIC SHOCK, DO NOT USE THIS (POLARIZED) PLUG WITH AN EXTENSION CORD, RECEPTACLE, OR OTHER OUTLET UNLESS THE BLADES CAN BE FULLY INSERTED TO PREVENT BLADE EXPOSURE.

This class B digital apparatus meets all requirements of the Canadian Interference-Causing Equipment Regulations.

WARNING:

SHOCK HAZARD - DO NOT OPEN

MISE EN GARDE:

Pour éviter les chocs électriques, n'utilisez pas cette fiche (polarisée) avec une rallonge, un réceptacle ou une autre prise si vous ne pouvez pas y insérer les brouches à fond.

MISE EN GARDE

Cet appareil numérique de la classe B respecte toutes les exigences de Règlement sur le matériel brouilleur de Canada.

AVERTISSEMENT

RISQUE DE CHOC ELECTRIQUE-NE PAS OUVRIR (FOR CUSTOMERS IN THE UNITED STATES OF AMERICA)

Note to CATV system Installer:

This reminder is provided to call the CATV system installer's attention to Article 820-40 of the NEC that provides guidelines for proper grounding and, in particular, specifies that the cable ground shall be connected to the grounding system of the building, as close to the point of cable entry as practical.

NOTE:

The interference potential to the device.

This equipment generates and uses radio frequency energy and if not installed and used properly, that is in strict accordance with the manufacturer's instructions, may cause interference to radio and television reception. It has been type tested and found to comply with the limits for a Class B computing device in accordance with the specifications in subparts J of Part 15 of FCC Rules, which are designed to provide reasonable protection against such interference in a residential installation. However, there is no guarantee that interference will not occur in a particular installation. If this equipment does cause interference to radio or television reception, which can be determined by turning the equipment off and on, the user is encouraged to try to correct the interference by one of more of the following measures:

- Reorient or relocate the receiving antenna.
- Increase the separation between the equipment and receiver.
- Connect the equipment into an outlet on a circuit different from that to which the receiver is connected.
- Consult the dealer or an experienced radio/TV technician for help.

(FOR CUSTOMERS IN THE UNITED KINGDOM)

WIRING INSTRUCTIONS

This appliance is supplied with a BS1363 approved 3 amp fused mains plug. When replacing the fuse always use a 3 amp BS1362 approved type. Never use this plug with the fuse cover omitted. To obtain a replacement fuse cover contact your supplying dealer or "LG ELECTRONICS U.K.LTD"

If the mains sockets in your home differ, or are not suitable for the type of plug supplied, then the plug should be removed and a suitable type fitted. Please refer to the wiring instructions below:

Warning: The mains plug severed from the mains lead of this appliance must be destroyed. A mains plug with bared wires is hazardous if engaged in a mains output line socket.

IMPORTANT

The wires in this mains lead are coloured in accordance with the following codes:

Blue	:	Neutral
Brown	:	Live

As the colour of the wires in the mains lead of this appliance may not correspond with the coloured markings identifying the terminals in your plug, proceed as follows:

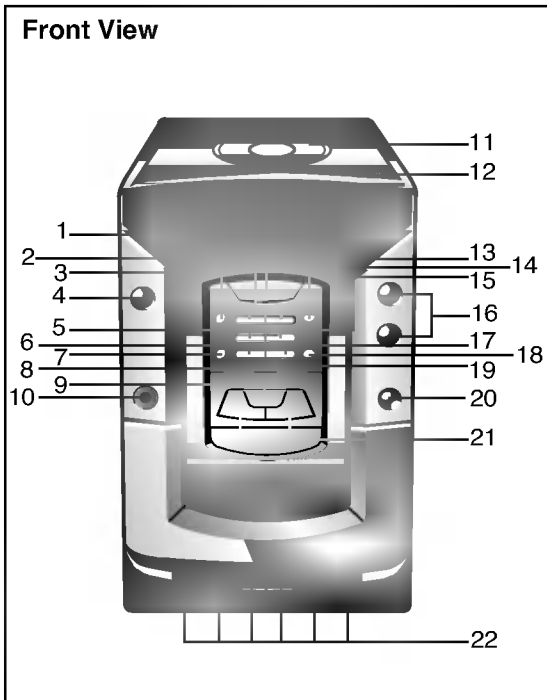
The wire which is coloured blue must be connected to the terminal which is marked with the letter N or coloured black.

The wire which is coloured brown must be connected to the terminal which is marked with the letter L or coloured red.

If a 13 amp BS1363 plug or any other type of plug is used, 3 amp BS1362 approved fuse must be fitted either in the plug or at the distribution board.

Warning: Do not connect either wire to the earth pin, marked with the letter E or with the earth symbol or coloured green or green and yellow.

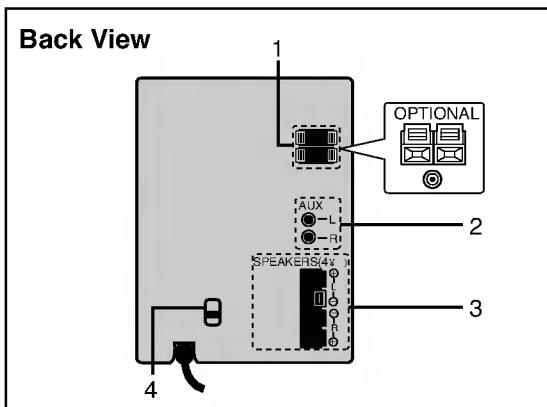
CONTROL LOCATIONS



Front View

1. REMOTE SENSOR LENS
2. PRESET/TIME DOWN/UP(√/∧)BUTTONS
3. BAND BUTTON (TUNER)
4. POWER/STAND BY BUTTON

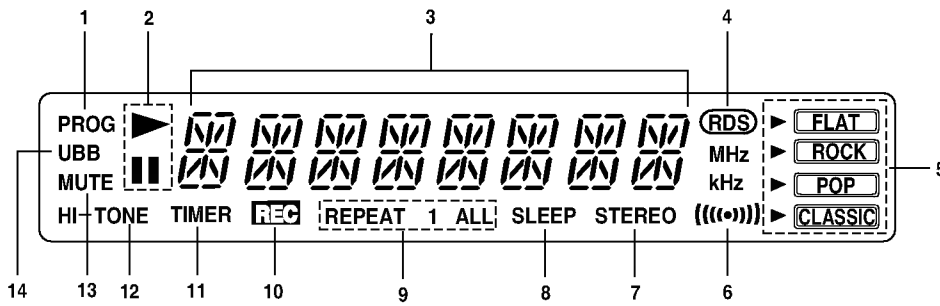
5. CLOCK BUTTON
6. EQ PATTERN BUTTON
7. FM MODE/RIF(Radio Inerference Filter) BUTTON
8. CD REPEAT BUTTON
9. CD PLAY/PAUSE(▶/||)BUTTON
10. HEADPHONE SOCKET(Ω) (3.5mm)
11. CD DOOR
12. CD DOOR EJECT ▲ BUTTON
13. FUNCTION SELECTION BUTTON (TUNER/CD/TAPE/AUX)
14. SET(CLOCK/TIMER)/RDS(OPTIONAL) BUTTON
15. TIMER BUTTON
16. VOLUME UP/DOWN(+ / -)BUTTONS
17. UBB BUTTON
18. PROGRAM(CD)/MEMORY(TUNER) BUTTON
19. STOP/CLEAR(■/CLEAR)BUTTON (CD/TUNER))
20. HI-TONE BUTTON (OPTIONAL)
21. ◀◀◀/▶▶▶ = TUNING DOWN/UP(TUNER), SKIP/SEARCH(CD) BUTTONS
22. TAPE DECK FUNCTION BUTTONS
 - =RECORD BUTTON
 - ▶ =PLAY BUTTON
 - ◀◀ =REWIND BUTTON
 - ▶▶ =FAST FORWARD BUTTON
 - ▲ =STOP/EJECT BUTTON
 - || =PAUSE BUTTON



Back View

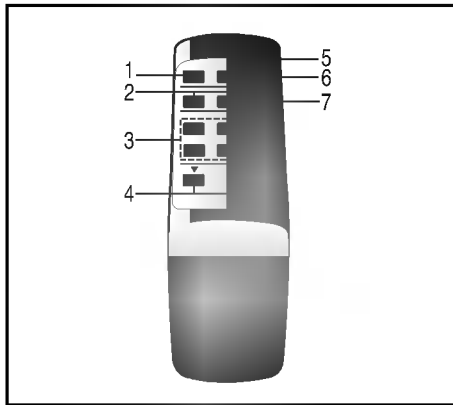
1. ANTENNA(AERIAL) CONNECTION TERMINALS
2. AUXILIARY INPUT SOCKETS
Connect the audio output RCA (phono) type left/right plugs from your stereo TV or VCR or another Tape deck to the AUX sockets on the back of the unit.
3. SPEAKER CONNECTION TERMINALS
4. VOLTAGE SELECTOR (OPTIONAL)

DISPLAY

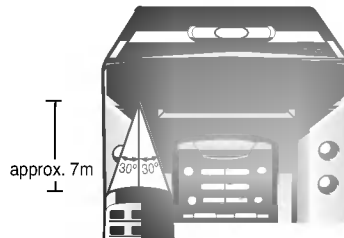


- | | |
|--|----------------------------------|
| 1. PROGRAM indicator | 7. FM STEREO RECEIVING indicator |
| 2. PLAY/PAUSE indicator | 8. SLEEP indicator |
| 3. FUNCTION, VOLUME LEVEL, CLOCK, FREQUENCY, CD TRACK/PLAYING TIME display | 9. CD REPEAT indicator |
| 4. RDS indicator (OPTIONAL) | 10. RECORD indicator |
| 5. EQ PATTERN indicator | 11. TIMER indicator |
| 6. FM STEREO indicator | 12. HI-TONE indicator (OPTIONAL) |
| | 13. MUTE indicator |
| | 14. UBB indicator |

REMOTE CONTROL



1. POWER button
2. PRESET DOWN(▼)/UP(▲) buttons
3. CD FUNCTION buttons
 - REPEAT button
 - ▶/|| =PLAY/ PAUSE button
 - ◀◀◀/▶▶▶ = SKIP/SEARCH buttons
 - = STOP/CLEAR button
4. VOLUME DOWN(▼)/UP(▲) buttons
5. SLEEP button
6. MUTE button
7. BAND button



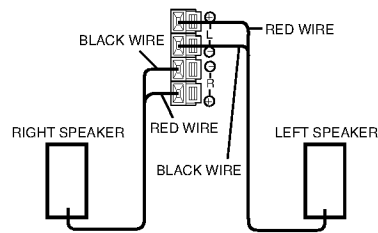
Range
The remote control device is designed for the range shown in the illustration above.

NOTE:
Strong light or obstacles between the remote control device and the stereo system may interfere with the functioning of the remote control.



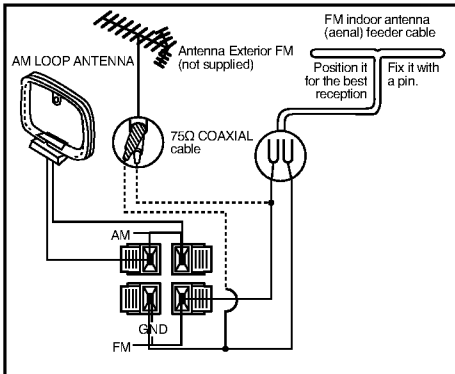
- Notes on Batteries**
- Your remote control comes with batteries. Use two "AAA(UM-4, IEC R03)" type high quality batteries.
 - When the remote control fails to operate accurately at maximum distance from the unit, replace the worn out batteries with new ones.
 - Install two "AAA" type batteries, observing correct battery polarity (⊕ and ⊖)
 - Do not use different types of batteries together, or an old one with a new one.
 - When you are not going to use the unit for a long time, remove the batteries to prevent possible electrolyte leakage.

CONNECTING THE SPEAKERS

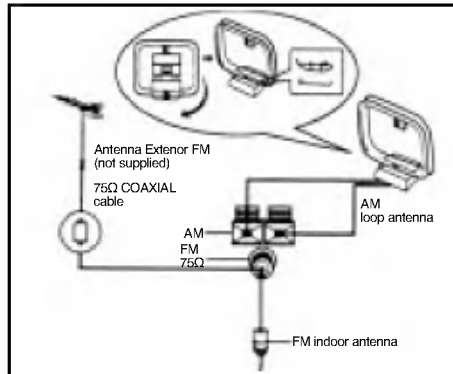


ANTENNA CONNECTIONS

● OPTION AREA



● OPTION AREA



SETTING THE CLOCK

1. Press the CLOCK button. (If the clock is already set, press and hold the CLOCK button for more than 2 seconds.) - The hours begin to blink
2. Select a 24 hour cycle or 12 hour cycle by using the PRESET/TIME DOWN/UP buttons.
3. Press the SET button.
4. Use the PRESET/TIME DOWN/UP buttons to set the correct hours.
5. Press the SET button.
6. Use the PRESET/TIME DOWN/UP buttons to set the correct minutes.
7. Press the SET button and the correct time is shown on the display.
8. Press the CLOCK button at any time to display the time for about 3 seconds.

AUDIO ADJUSTMENT

■ Volume Adjustment

Press VOLUME UP(+) button to increase the sound level, or press VOLUME DOWN(-) button to decrease it. (Or press VOL. UP(▲) or VOL. DOWN(▼) on the remote control)

■ Sound Quality Adjustment

▶ **To activate stereo sound**
You can choose between 4 fixed sound impressions: select a desired sound mode by using the EQ. PATTERN button.

FLAT : linear frequency response
ROCK : more bass, more treble
POP : less bass, less treble
CLASSIC : for orchestral music

▶ To reinforce treble (OPTIONAL)

Press the HI-TONE button

▶ To reinforce bass

Press UBB button so that the "UBB ON" is scrolled on the display. To cancel it, press the button so that "UBB OFF" is scrolled.

▶ Headphone Socket.

Connect a stereo headphone plug(3.5mm) into the headphone socket.

The speaker are automatically disconnected when you plug in the headphones (not supplied).

■ MUTE button(on remote control)

Press this button to mute your unit.

You can mute your unit in order, for example, to answer the telephone. The "MUTE" indicator flashes on the display.

AUXILIARY FUNCTION

1. Connect an auxiliary device i.e. TV or VCR, via the rear mounted AUX phono sockets.
2. Press the FUNCTION button to enter the AUX mode, so that "AUX" appears on the display.

Note:

You can also record from the auxiliary input source, see Cassette Deck Function Section.

TUNER FUNCTIONS

To listen to the Radio

1. Press the BAND button to select a desired waveband.
2. ① To tune to the desired station with automatic tuning, keep TUNING DOWN/UP button depressed for more than 1 second.
 - ② To tune to the desired station with manual tuning, press the TUNING DOWN/UP button within 1 second repeatedly.
3. When listening to FM stations press the MODE/RIF button for FM stereo reception.

Ⓕ will appear in the display.

When a weak FM station is being received-press the MODE/RIF button so that Ⓕ is cleared from the display.

NOTE:

MODE/RIF (Radio Interference Filter) button

Use this button to switch to mono reception if stereo reception is distorted by noise.

When recording the MW(AM) or LW broadcast, beat noises occur. If it does, press this button once.

Presetting the stations

1. **To clear any programme previously stored in any memory.**
 - ① Press the PROGRAM/MEMORY button more than 2 seconds in TUNER mode so that CLEAR flashes in the display.
 - ② Press the STOP/CLEAR (■/CLEAR) button while CLEAR is flashing in the display.
2. **To memorise the stations in order**
 - ① Press the BAND button to select a desired waveband.
 - ② Press the TUNING DOWN/UP button to select a desired station.
 - ③ Press the PROGRAM/MEMORY button. PROG. appears and preset number flashes.
 - ④ Press the PROGRAM/MEMORY button again while preset number is flashing.
 - ⑤ Repeat step ① to ④ to memorise up to 30 stations.

3. To memorise in selection channel number.

- ① Select a desired station.
- ② Press the PROGRAM/MEMORY button.
- ③ Select a desired channel number by pressing the PRESET/TIME DOWN/UP button while the preset number is flashing.
- ④ Press the PROGRAM/MEMORY button again before the channel number stops flashing.

4. To memorise in adding channel number.

- ① Select a desired station.
- ② Press the PROGRAM/MEMORY button.
- ③ Press the PROGRAM/MEMORY button again while the channel number is flashing.

5. To recall presets

Press and hold the PRESET/TIME DOWN/UP button until the desired preset number appears or press it repeatedly.

• RDS(Radio Data System) Reception(OPTIONAL)

What is RDS?

RDS(Radio Data System) is a system gradually being introduced on FM in many countries, where by an inaudible stream of data is transmitted in addition to the normal radio signal. This data contains various information including station/transmitter identification, traffic information and a list of alternative frequencies for the radio station being received.

Reception of RDS Stations

1. Press the TUNER/BAND button to select FM.
2. Select a desired station by pressing the TUNING DOWN/UP button.
3. When the RDS transmission is received, the display shows the program service name (PS) after RDS indicator appears.

Notes:

- RDS is only available for FM reception.
- The PS(PROGRAM SERVICE) NAME is displayed automatically when a RDS station is received.

To recall the frequency

Press the SET/ RDS button.

CD FUNCTIONS

To play a CD

1. **Press the FUNCTION button repeatedly so that 'CD' appears on the display.**
 - If no disc is entered in the disc drawer, the No DISC indicator is displayed.
2. **Load a disc by using the CD DOOR EJECT ▲ button.**
3. **To start play back**
 - Press the ▶/II (PLAY/PAUSE) button.
4. **To pause the play**
 - Press the ▶/II (PLAY/PAUSE) button.
5. **To resume the play**
 - Press the ▶/II (PLAY/PAUSE) button again.
6. **To stop playback**
 - Press the STOP/CLEAR (■/CLEAR) button.

7. To specify a track to play

- Press the ◀◀◀ or ▶▶▶ button repeatedly during stop or play until your desired track number appears-play will start from that track number.

8. To play a desired location on CD.

- Hold down the ◀◀◀ or ▶▶▶ button during play or pause.
- When the button is held down, there will be continuous change (of position on the CD).

9. To repeat play

- Press the REPEAT button on the remote control.
- Once, one track will repeat (REPEAT 1).
- Twice, all tracks will repeat (REPEAT ALL).
- Three times, repeat mode is cancelled

CD FUNCTIONS

10. Program play (this can not be set during playback).

A maximum of 20 tracks can be programmed.

- ① Press the PROGRAM/MEMORY button.
- ② Specify a track to play with the ◀◀◀ or ▶▶▶ button
- ③ Press the PROGRAM/MEMORY button to store this track.
- ④ Repeat step ② to ③.
The programmed tracks will be played repeatedly.
- ⑤ Press the PLAY/PAUSE(▶/||) button to play the tracks.
- ⑥ To check a programme sequence.
During programmed play press the STOP/CLEAR (■/CLEAR) button, and then press the PROGRAM/MEMORY button repeatedly.
- ⑦ To change an existing programme.
 - a) During stop mode press the PROGRAM/MEMORY button until the desired program position appears in the display.
 - b) Select a new track using the ◀◀◀ or ▶▶▶ button.
 - c) Press the PROGRAM/MEMORY button to put the new track in position.
- ⑧ To add a programme.

If less than 20 programme positions are in memory, additional tracks may be added by following this procedure.

- a) During stop mode press the PROGRAM/MEMORY button until "00" appears in the track number position on the display.

While the track number "00" is flashing press the PROGRAM/MEMORY button again, is changed to the CD normal play mode.

- b) Select the track to be added by using the ◀◀◀ or ▶▶▶ button.
- c) Press the PROGRAM/MEMORY button twice.
- d) Repeat step b) to c).
- e) After the last(20th) track has been entered, press the PROGRAM/MEMORY button once only.
- ⑨ To erase a programme sequence.
 - In the stop mode press the PROGRAM/MEMORY button, and then press the STOP/CLEAR (■/CLEAR) button.
 - In the programmed play mode press the STOP/CLEAR (■/CLEAR) button two times.
 - It is also erased if the CD drawer is opened
- ⑩ If you press the STOP/CLEAR (■/CLEAR) button during programmed play, the PROGRAM indicator goes out in the display and the programmed playback is cancelled. At that time, if you wish to resume the programmed playback press the PROGRAM/MEMORY button and press the PLAY/PAUSE(▶/||) button.

CASSETTE DECK FUNCTION

1. Tape play

- ① Press the FUNCTION button to enter the tape mode so that 'TAPE' appears on the display.
- ② Press the STOP/EJECT(■▲) button position to open the cassette door.
- ③ Insert a recorded cassette with the exposed tape side down.
- ④ Press the PLAY(▶) button to begin tape playback.
- ⑤ To stop playback at any time press the STOP/EJECT (■▲) button.

2. Recording from Radio, CD or auxiliary source.

NOTE : Use only normal tapes.

- ① Insert a blank tape into deck.
- ② Set to tape function by pressing the FUNCTION button.
- ③ Press the RECORD(●) button, REC appears on the display(Press REC(●)and PLAY(▶)at the same time for more easily operating).
- ④ Start playing your CD, RADIO or AUX.
- ⑤ Press STOP/EJECT(■▲) to finish recording.
Your cassette deck will automatically stop at the end of the tape.

3. CD to tape synchronized recording.

NOTE : Use only normal tapes.

This feature automatically records an entire CD onto a cassette.

1. Load a disc and set **FUNCTION to CD.**
2. Insert a blank tape into deck.
3. Press REC(●). PLAY(▶) goes down automatically.
When recording from a CD, the disc will start playing after about 7 seconds(RECORD PAUSE).
4. Press STOP/EJECT(■▲) to finish recording and press **STOP/CLEAR (■/CLEAR)** to stop playing a disc.

NOTE :

1. If you only want to record certain tracks, programme these CD synchro recording
2. If you wish to from the desired track, select the desired track with the ◀◀◀/▶▶▶ button before commencing CD synchro recording.
3. Press the CD PLAY/PAUSE button during the RECORD PAUSE, the synchronized recording will be cancelled.

SLEEP TIMER FUNCTION (remote control only)

- To select the time to turn off:**
Press the SLEEP button. (remote control only)
In the display you can see SLEEP and 90 for about 5 seconds. This means that the system turns off automatically after 90 minutes.
Each time the button is pressed the time interval before it turns off is reduced by 10 minutes. i.e. 80...70... etc.
Select the desired time to turn off.
- To check the time to turn off:**
While the sleep function is active press the SLEEP button briefly. The time remaining until it turns off is displayed for about 5 seconds.

NOTE:

If you press the SLEEP button while the sleep time is displayed, the SLEEP time is reset.

3. To turn off the sleep function:

If you wish to stop the function press the SLEEP button repeatedly until 10 appears, and then press the SLEEP button once again while 10 is displayed.

NOTE:

To check the clock in turn-off state
Press the SLEEP button to turn on the back lighting in the display for about 5 seconds.

TIMER FUNCTION

With the TIMER function you can have the radio reception and recording, CD play, tape play or auxiliary source play and recording turned on and off at the time desired.

- Check the current time.
- Press the TIMER button to enter the timer setting mode. (If you want to correct the previous memorised TIMER, press and hold the TIMER button more than 2 seconds.)
The previous memorised timer on time and the "TIMER" appears in the display. Each function : TUNER-CD-AUX flashes in the display in turn.
- Press the SET button when the desired function is flashing.
- When you have selected the TUNER;
Select the previous memorised preset number with the PRESET DOWN/UP (V/Λ) buttons and press the SET button. The hour with ON display flashes.
- Set the hour to switch on by pressing the PRESET buttons
- Press the SET button to confirm the hour to switch on. The minute with ON display flashes.
- Set the minute to switch on by pressing the PRESET/TIME DOWN/UP buttons.
- Press the SET button to confirm the minute to switch on. The hour with OFF now flashes in the display.

- Set the hour to switch off by pressing the PRESET/TIME DOWN/UP buttons.
- Press the SET button.
- Set the minute to switch off by pressing the PRESET/TIME DOWN/UP buttons.
- Press the SET button.
- Adjust the volume by pressing the PRESET/TIME DOWN/UP buttons.
- Press the SET button.
"TIMER" appears and the timer setting has been completed.
- Switch the system off.
The selected function is automatically switched on and off at the time set.
- To cancel or check the timer.
Each time the TIMER button is pressed you can select the timer set or cancel. You can also check the timer setting status.
To activate or check the timer, press the TIMER button so that "TIMER" lights up in the display.
To cancel the TIMER, press the timer button so that "TIMER" in the display disappears.

SPECIFICATIONS

- AMP** : Output Power(4Ω, 2ch, T.H.D 10%): 5W+5W
Frequency Response: 40~20,000Hz
- FM** : Tuning Range(optional): 87.5~108 MHz or 65~74MHz and 87.5~108MHz
S/N Ratio: 55/ 50dB(Mono/Stereo)
- AM(MW)**: Tuning Range(optional): 522~1,611kHz, 530~1,720 kHz or 530~1,610 kHz
Usable Sensitivity: 56dB
- DECK**: S/N Ratio: (Play back/Record):48dB/43dB
Cross Talk: 55dB
Channel Separation: 50dB
Erase Ratio: 55dB.
- CD**-Frequency Response: 40~20,000Hz
S/N Ratio: 70dB
T.H.D: 0.4%
- Dimensions(W x H x D)**: 161 x 249 x 271 mm
- Weight(net)**: 3.1 kg
- Power Requirements**: Refer to the back panel of the system.
- Speaker System**
Impedance: 4Ω
Rated Input Power: 5W
Max Input Power: 10W
Frequency Response: 90~20,000 Hz
Dimensions(net): 148(W) x 240(H) x 183(D)mm
Weight(net): 1.52 kg

NOTE:

Designs and specifications are subject to change without notice for improvement.