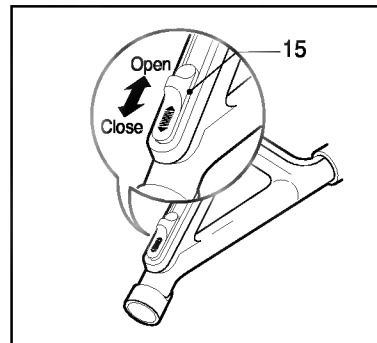
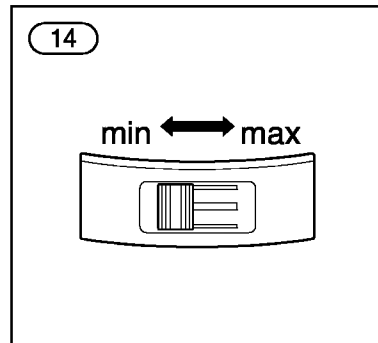
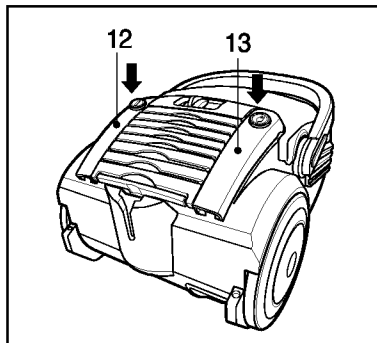
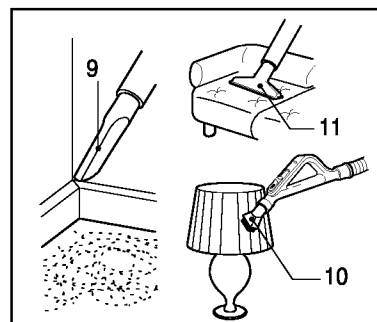
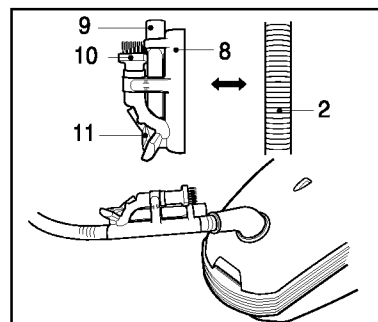
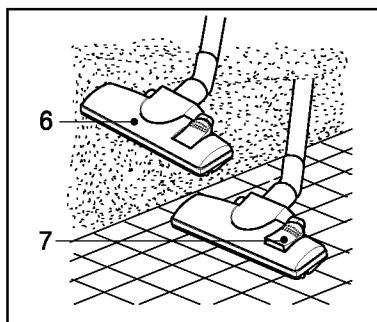
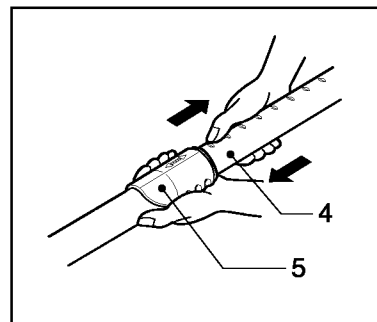
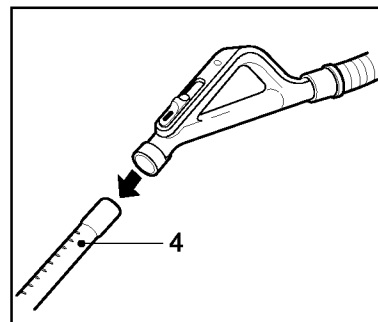
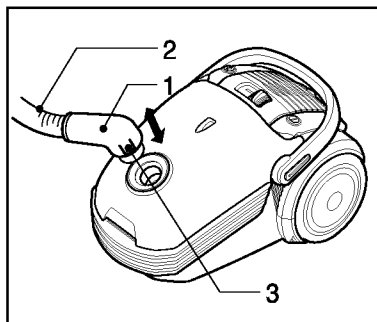
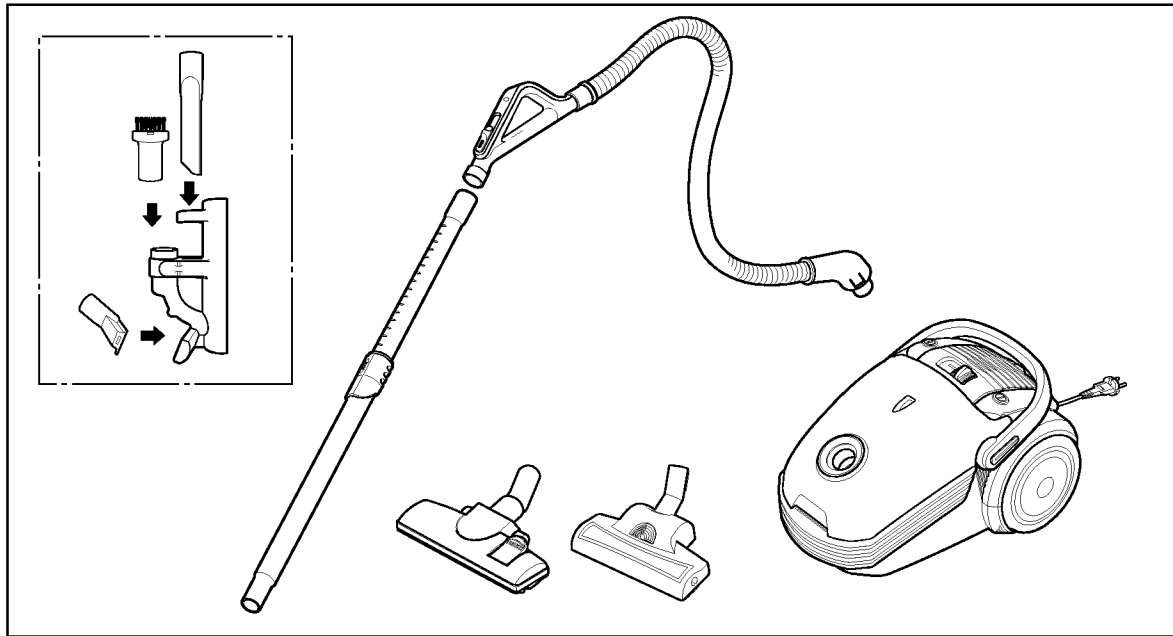


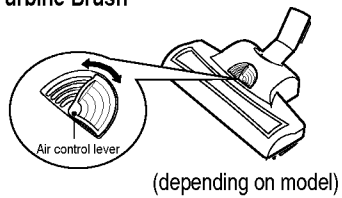
V-CA404ST/STS
V-CA484ST/STS

E | English
M | Magyarul
C | Cesky jazyk
L | Limba Română
S | NA SRPSKOM
Б | БЪЛГАРСКИ
Н | NA HRVATSKOM



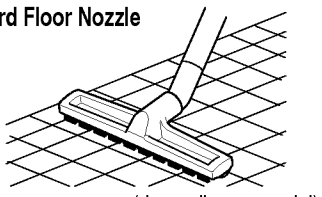


Turbine Brush



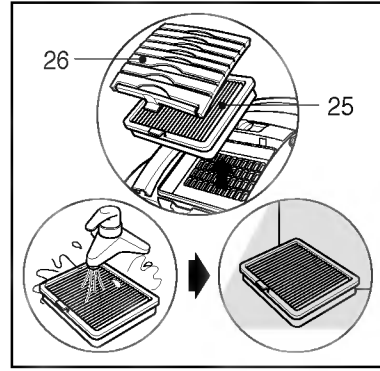
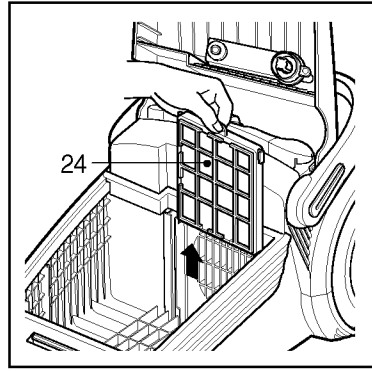
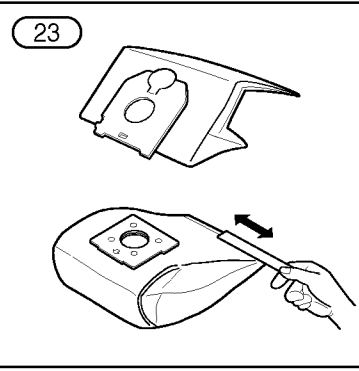
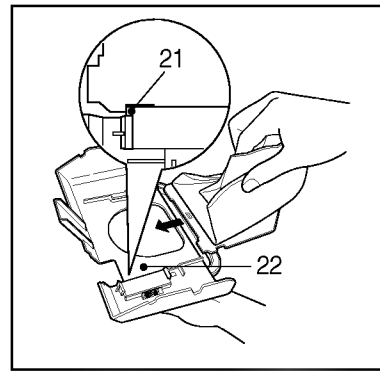
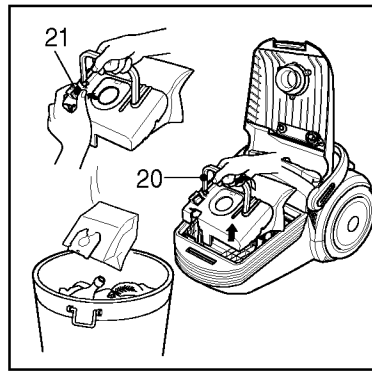
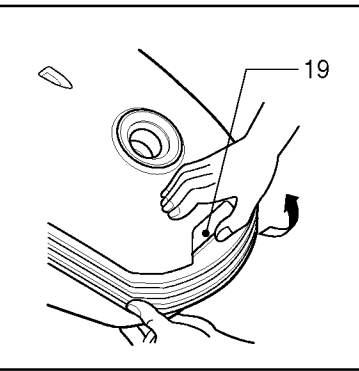
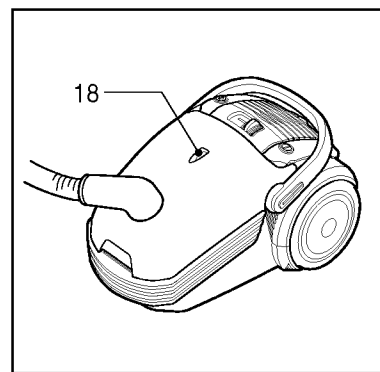
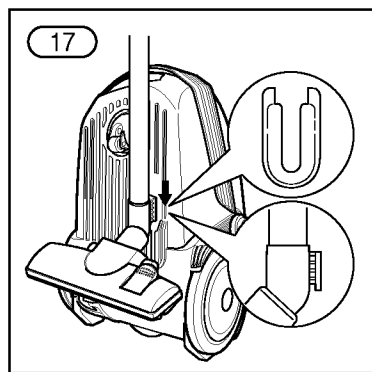
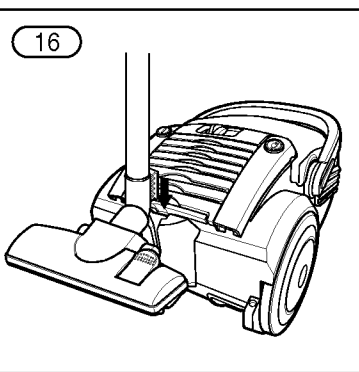
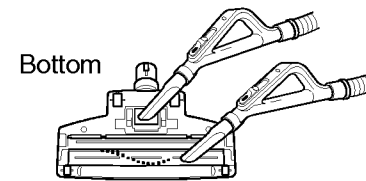
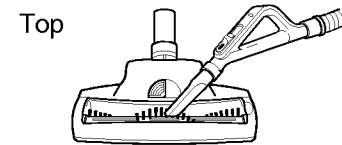
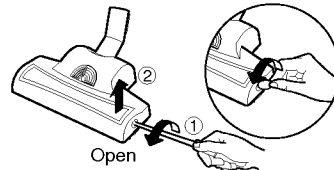
(depending on model)

Hard Floor Nozzle



(depending on model)

Cleaning Powerful Turbine Brush (depending on model)



Information for your safety

Please read all the following information, which contains important instructions for the safety, the use and the maintenance of the appliance.

This appliance complies with the following EC Directives: -73/23/EEC, 93/68/EEC-Low Voltage Directive-89/336EEC-EMC Directive.

- Never allow children to use the appliance unsupervised.
- Do not use the appliance if the main lead is damaged or faulty.
- If the main lead is damaged, it must be replaced by an approved LG Electronics Service Agent as special tools are needed to repair it.
- Always switch the vacuum cleaner off before :
 - changing the dust bag
 - changing or cleaning the filters.
- **If no dustbag is inserted, the cover cannot be closed. Please do not use force!**
- Do not vacuum flammable or explosive substances(liquids or gases).
- Do not vacuum hot ash, embers etc. nor sharp objects.
- Do not vacuum water or other liquids.
- When you vacuum with an attachment appliance that has a rotating brush roller: do not reach into the running brush roller.

How to Use

Connecting the flexible hose

Insert the hose holder **(1)** into the suction opening.

When the hose **(2)** is to be disconnected from the appliance, press the release button **(3)** and pull the hose holder out of the suction opening.

Adjusting the tube **(4)**

- Hold spring latch **(5)**
- Pull out the tube to required length.
- Release spring latch to lock.

Connecting the accessory holder

When the accessory holder **(8)** is to be connected to the hose **(2)**, hold the hose **(2)** and push the holder at the desired position of the hose.

Using the cleaning head and Accessory

Nozzles (depending on model)


Fit the large cleaning head onto the end of the tube.

- **The 2 position head (6)** is equipped with a pedal **(7)** which allows you to alter its position according to the type of floor to be cleaned.
 - Hard floor position**(tiles, parquet floors...). Press on the pedal to lower the brush.
 - Carpet or rug position.** Press on the pedal to lift the brush up.

• Turbine brush

Easy & Powerful cleaning through adjusting the air-control lever.

 : use for hard floor & short type.

 : carpet use for long type carpet.

• Hard Floor Nozzle

Efficient cleaning of hard floors (wood, linoleum, etc.)

The accessory holder **(8)** contains accessories.

• Crevice Tool **(9)**

For vacuuming in those normally inaccessible places i.e. reaching cobwebs, or down the side of a sofa!

• Upholstery Nozzle **(11)**

For vacuuming upholstery, mattresses, etc. The thread collectors help to pick up the threads and fluff.

• Dusting brush **(10)**

For vacuuming picture frames furniture outlines, books and other uneven objects.

How to plug in and use

Pull out the main lead to the desired length and plug into the socket.

Press button **(12)** to start the vacuum cleaner.

To stop it press the button again.

Adjusting the power level

• Electronic power control **(14)**

Suction capacity increases from MIN to MAX.

- The flexible hose handle has a manual air flow regulator **(15)** which allows you to briefly reduce the suction level.

Park-System **(16)**

For short breaks during vacuuming, for example to move a small piece of furniture or a rug, use the 「Park system」to support the flexible hose and cleaning head.

- Slide the hook attached to the large cleaning tool into the slot on the rear of the appliance.

Carrying and storage(17)

When you have switched off and unplugged the appliance, press on the button **(13)** to automatically rewind the cord.

You can move or store your appliance in a vertical position by sliding the hook on the large cleaning head into the clip on the underside of the appliance.

Changing the dust bag

The dustbag needs changing when the cleaner is set to maximum power and the cleaner head is off the floor but the “bag full” indicator window**(18)** is completely coloured red.

Even if the dustbag does not appear to be full at this stage, it should be changed.

It could be that a great deal of very fine dust has clogged up the pores of the dust bag.

- Turn off the appliance and unplug it.
- Open the cover by pressing the hook**(19)** and lifting it up until it snaps into place.

Your appliance is equipped with either a paper dust bag or a fabric dust bag **(23)**. (depending on model)

- Hold the handle **(20)** and take out the dust bag.
- Press the one-touch release button **(21)** and the dust bag drops in dust bin.
- To refit a new bag push the cardboard support of a new bag into the bag mount **(22)** until it is trapped by the wall of button **(21)**

If your appliance is fitted with a fabric dust bag follow the same instructions as above.

Empty it and replace it Do not wash it.

Note: as the appliance is fitted with a safety device which checks that the bag is in place you cannot close the lid if the bag is not fitted correctly.

Cleaning the motor filter

The motor filter is situated inside the appliance between the dust bag and the motor. Each time that you change the air outlet filter we advise you to remove the motor filter**(24)** and to clean it by tapping to remove the dirt and then replace it in the vacuum cleaner.

Changing & Cleaning the washable HEPA filter

- To change the washable HEPA filter**(25)**, remove the cover of the filter compartment**(26)** situated at the rear of the appliance, by lifting the little catch.
- The washable HEPA filter should be cleaned with cold and running water at least once a year.
 - Do not use the brush.
 - Allow HEPA filter to dry in a shaded place for a day.
- The working life of this set is 7 years since the date of delivery to the consumer. Upon the expiry of the said period, it might be unsuitable for the use according to their destination.

What to do if your appliance does not work

Check that the appliance is correctly plugged in and that the electrical socket is working.

What to do when the suction performance reduces?

- Stop the appliance and unplug it.
- Check that the tubes, flexible hose and cleaning tool are not blocked.
- Check that the dust bag is not full. Replace if necessary.
- Check that the air outlet filter is not blocked. Replace if necessary.



LG Electronics Inc.

<http://www.lge.com/>