

# TOP FREEZER REFRIGERATOR

## User's Guide

Please read this guide thoroughly before operating and keep it handy for reference at all times.

### models

LRT\*2233#\*\*  
LRT\*1933#\*\*

LRT\*2232#\*\*  
LRT\*1932#\*\*

# TABLE OF CONTENTS

<b>English Version</b>	<b>2</b>		
<b>Versión en español</b>	<b>34</b>	ChefF resh*/SnackP an	18
<b>Versionfrançaise</b>	<b>61</b>	Crisper HumidityC ontrol	18
<b>Warranty</b>	<b>3-6</b>	OptibinC risper	18
<b>Safety Instructions</b>	<b>7-8</b>	CrisperCoverwhitlatticeoninnersurface	19
<b>Grounding Requirements</b>	<b>8</b>	<b>Door Bin</b>	19
<b>Parts and Features</b>	<b>9</b>	Design-A-Door	19
<b>Refrigerator Installation</b>	<b>10-13</b>	<b>Dairy Bin</b>	20
Unpacking Your Refrigerator	10	FreezerDoorBin	20
Installation	10	PizzaNook	20
Base Grille	10	CustomFit	20
Removing, Reversing and Replacing		FlexiFloor	21
Your Refrigerator Doors	11-12	<b>Ice Tray</b>	21
Door Closing and Alignment	13	<b>Care and Cleaning</b>	<b>22-23</b>
<b>Using Your Refrigerator</b>	<b>14-21</b>	General Cleaning Tips	22
Ensuring Proper Air Circulation	14	Outside	22
IcebeamDoorCooling	14	Inside Walls	22
Setting the Controls	14-15	Door Liner and Gaskets	22
Adjusting Control Settings	15	Plastic Parts	22
Food Storage Guide	16	Condenser Coils	22
Storing Frozen Food	16	Light Bulb Replacement	22-23
Refrigerator Shelves	17	Power Interruptions	23
		Vacation and Moving Care	23
		<b>About the Automatic Icemaker</b>	<b>24</b>
		<b>Connecting the Water Line</b>	<b>25-27</b>
		<b>Troubleshooting Guide</b>	<b>28-31</b>

### LIMITED WARRANTY United States of America

LGE Electronics will repair or replace, without charge, your product which proves to be defective in materials or workmanship under normal use during the warranty period listed below from the date of original purchase.

This warranty is good only to the original purchaser of the product during the warranty period as long as it is in the U. S. including Alaska, Hawaii, and U. S. Territories.

#### Refrigerator/Freezer Warranty Period

Product	Parts	Labor
Refrigerator/Freezer	1 year	1 year [In-Home Service (Except Model GR-051)]
Sealed System (Compressor, Condenser, Evaporator)	7 years	1 year [In-Home Service (Except Model GR-051)]

No other express warranty is applicable to this product. THE DURATION OF ANY IMPLIED WARRANTIES, INCLUDING THE IMPLIED WARRANTY OF MERCHANTABILITY, IS LIMITED TO THE DURATION OF THE EXPRESS WARRANTY HEREIN. LG ELECTRONICS SHALL NOT BE LIABLE FOR THE LOSS OF USE OF THE PRODUCT, INCONVENIENCE, LOSS OF ANY OTHER DAMAGES, DIRECTOR CONSEQUENTIAL, ARISING OUT OF THE USE OF OR INABILITY TO USE, THIS PRODUCT OR ANY OTHER EXPRESS OR IMPLIED WARRANTY, INCLUDING THE IMPLIED WARRANTY OF MERCHANTABILITY APPLICABLE TO THIS PRODUCT.

Some states do not allow the exclusion or limitation of consequential damages or limitation on the amount or type of damages, or the exclusion of incidental or consequential damages. This warranty gives you specific legal rights and you may also have other rights which vary from state to state.

#### THE ABOVE WARRANTY DOES NOT APPLY TO:

1. Service trips to your home to deliver and install, instruct, or replace household use of refrigerator, plumbing, or correction of unauthorized repairs.
2. Damage to other products caused by accident, pests, fire, floods, or other causes.
3. Repairs where our LG product is used in a commercial, single-family household use.
4. Damage resulting from accident, alteration, misuse, or improper installation.

Therefore, these are not covered by this warranty.

If the product is installed outside the normal service area, and any transportation involved in the repair of the product, or the replacement of defective parts, shall be the responsibility of the customer.

#### CUSTOMER ASSISTANCE NUMBERS:

To obtain Warranty Coverage:

Retain your Bill of Sale let upon received after purchase.  
A copy of your Sales Receipt must be submitted at the time warranty service is provided.

To obtain Product Customer

Call 1-877-714-7486  
(24hr service days, 7 days a week, 365 days a year)

Service Assistance:

Press the appropriate number on the phone, and have your product type (Refrigerator), model number, serial number, and ZIP/Postal Code ready.

To obtain the nearest

Call 1-877-714-7486  
(24hr service days, 7 days a week, 365 days a year)

Authorized Service Center:

Press the appropriate number on the phone, and have your product type (Refrigerator), model number, serial number, and ZIP/Postal Code ready.

## GARANTÍA LIMITADA Estados Unidos de América

LG Electronics reparará o en su defecto reemplazará sin cargo, el producto defectuoso en material o mano de obra bajo uso normal durante el periodo de garantía que se menciona a continuación desde la fecha original de compra.

Esta garantía es válida solo para el comprador original del producto durante el periodo de garantía mientras permanezca en los E.E. U.U. Incluyendo Alaska, Hawaii y otros territorios de E.E.U.U.

### Período de Garantía del refrigerador/Congelador LG

Producto	Partes	Mano de Obra
Refrigerador/Congelador	1 año	1 año [Servicio a domicilio (Excepto Modelo GR-051)]
Sistema Sellado (Compresor, Condensador, Evaporador)	7 años	1 año [Servicio a domicilio (Excepto Modelo GR-051)]

No se aplicará otro tipo de garantía a este producto. LA DURACION DE OTRAS GARANTIAS , INCLUYENDO LA DE COMPRA, ESTAN LIMITADAS A LA DURACION DE ESTA GARANTIA. LG ELECTRONICS NO SE HACE RESPONSABLE POR LA PERDIDA EN EL USO DEL PRODUCTO, POR INCONVENIENCIA O CUALQUIER OTRO DAÑO DIRECTO O CONSECUENTE QUE PROVENGA DEL USO Y/O NO USO DE ESTE PRODUCTO O POR ALGUNA VIOLACION A LAS GARANTIAS IMPLEMENTADAS INCLUYENDO LA GARANTIA DE COMPRA APLICADA A ESTE PRODUCTO.

Algunos estados no permiten la exclusión o limitación de daños incidentales o consecuenciales o limitaciones en cuanto al tiempo que dura una garantía implícita; por lo que algunas de estas limitaciones o exclusiones pueden no aplicarse a usted. Esta garantía le otorga derechos legales específicos y usted puede además tener otros derechos los cuales varían de Estado a Estado.

### LA GARANTIA ANTERIOR NO APLICA A:

1. Servicio a su casa para entregar, recoger, instalar o reemplazar fusibles caseros, corregir cableado casero o plomería corrección de reparaciones no autorizadas.
2. Daño al producto causado por accidente, plagas, incendios, inundaciones o actos por naturaleza.
3. Reparaciones cuando su producto LG sea usado diferente a lo normal.
4. Daño resultante de accidente, alteración, mal uso o instalación inadecuada.

### Por lo tanto, estos costos serán pagados por el consumidor .

Si el producto es instalado fuera del área normal de servicio, cualquier costo de transportación relacionado en la reparación del producto, o el reemplazo de partes defectuosas, serán cargados al propietario.

### NÚMEROS DE ASISTENCIA AL CLIENTE:

- Para obtener el número de garantía:** Conserve su factura para comprobar la fecha de compra. Una copia de su recibo de compra debe ser entregada a cuando se le proporcione el servicio de garantía.
- Para obtener información:** Llame al **1-877-714-7486** (24hr sala de espera, 7 días a la semana, 365 días al año)
- Servicio de Asistencia:** Presione la opción de menú apropiado, y tenga a mano el producto (Refrigerador), número de modelo, número de serie, y ZIP / Código Postal listos.
- Para obtener el Centro de Servicio Autorizado más cercano:** Llame al **1-877-714-7486** (24hr sala de espera, 7 días a la semana, 365 días al año) Presione la opción adecuada, y tenga a mano el producto (Refrigerador), número de modelo, número de serie, y ZIP / código Postal listos.

## GARANTIEL IMITÉE Canada

LG Electronics réparera ou remplacera, à sa discrétion, sans frais, le produit présentant des défauts de matériaux ou de fabrication, dans des conditions normales d'utilisation pendant la période de garantie indiquée ci-dessous à partir de la date d'achat d'origine.

Cette garantie est valide pour seulement l'acheteur d'origine du produit pendant la période de garantie en autant que cela soit aux É.-U., incluant Alaska, Hawaii, territoires américains et toutes les provinces canadiennes.

### Période de garantie du réfrigérateur/congélateur LG

<u>Produit</u>	<u>Pièces</u>	<u>Main-d'œuvre</u>
Réfrigérateur/congélateur	2 ans	2 ans (service à domicile, sauf modèle GR-051)
Système scellé (compresseur, condensateur, évaporateur)	5 ans	2 ans (service à domicile, sauf modèle GR051)

Aucune autre garantie expresse est applicable à ce produit. LA DURÉE DE TOUTE GARANTIE IMPLICITE, INCLUANT LA GARANTIE IMPLICITE DE COMMERCIALISATION, EST LIMITÉE À LA DURÉE DE LA GARANTIE EXPRESSE. LG ELECTRONICS NE POURRA ÊTRE TENUE RESPONSABLE POUR TOUTE PERTE OU UTILISATION DE CE PRODUIT, INCONVÉNIENT, PERTE OU TOUT AUTRE DOMMAGE, INDIRECT OU ACCESSOIRE, SURVENANT DE L'UTILISATION OU DE L'INHABILITÉ À UTILISER CE PRODUIT OU POUR TOUT BRIS DE GARANTIE EXPRESSE OU IMPLICITE, INCLUANT LA GARANTIE IMPLICITE DE COMMERCIALISATION APPLICABLE À CE PRODUIT.

Certains états ne permettent pas l'exclusion ou la limitation de dommages accessoires ou indirects ou les limitations sur la durée d'une garantie implicite, par conséquent ces limitations ou exclusions peuvent ne pas s'appliquer. Cette garantie donne des droits légaux et l'on peut en avoir d'autres qui varient d'un état à un autre ou d'une province à une autre.

### LA GARANTIE CI-DESSUS NE S'APPLIQUE PAS :

1. Les déplacements de service à domicile pour la livraison ou la cueillette, l'installation, le remplacement de fusibles ou de câblage résidentiel approprié, plomberie ou correction de réparations non autorisées.
2. Dommage au produit causé par accident, parasites, incendie, inondation ou actes de Dieu.
3. Réparations lorsque le produit LG est utilisé à d'autres fins qu'une utilisation domestique unifamiliale normale.
4. Dommage résultant d'accidents, de modifications, de mauvaise utilisation, d'abus ou d'une installation inadéquate.

**Par conséquent, les frais encourus sont imputés au consommateur.**

Si ce produit est installé à l'extérieur d'une zone de service normale, tous frais de déplacement requis pour la réparation du produit ou le remplacement de pièces défectueuses seront imputés au propriétaire.

### NUMÉROS D'AIDE LA CLIENTÈLE

#### Pour obtenir une garantie

Conserver la facture comme preuve de la date d'achat  
Un exemplaire de la facture doit être présenté au moment où un service sous garantie est fourni.

#### Pour obtenir un produit ou de l'aide

Téléphoner au 1-888-542-2623 (lun. au ven. 7 h à 20 h Central)  
(sam. 8 h à 17 h Central)  
Presser l'option du menu appropriée et avoir le type de produit (réfrigérateur), numéro de modèle, numéro de série et code postal.

#### Pour obtenir le centre de service le plus proche

Téléphoner au 1-888-542-2623 (24 heures par jour, 7 jours par semaine)  
Presser l'option du menu appropriée et avoir le type de produit (réfrigérateur), numéro de modèle, numéro de série et code postal.

## LIMITED WARRANTY Canada

LGE Electronics will repair or replace, without charge, your product which proves defective in material or workmanship under normal use, during the warranty period listed below from the date of original purchase. This warranty is good only on the original purchaser of the product during the warranty period as long as it is used in the Province of Ontario.

### WARRANTY PERIOD

**MODEL# :**

**LABOR :** 2 Years

**PARTS :** 2 Years

**SERIAL NUMBER :**

**SEALED SYSTEM :** 5 Years (Compressor, condenser, and evaporator)

**HOW SERVICE IS HANDLED :** Call **1-888-542-2623** (1-888-LG-CANADA) and choose the appropriate prompt. Please have product type (refrigerator) and ZIP Code ready.  
See our website at <http://www.lg.ca>  
This warranty provides in-home service.

No other express warranty is applicable to this product. **THE DURATION OF ANY IMPLIED WARRANTIES, INCLUDING THE IMPLIED WARRANTY OF MERCHANTABILITY, IS LIMITED TO THE DURATION OF THE EXPRESS WARRANTY HEREIN. LG ELECTRONICS USA, INC. SHALL NOT BE LIABLE FOR THE LOSS OF THE USE OF THE PRODUCT, INCONVENIENCE, LOSS OR ANY OTHER DAMAGES, DIRECT OR CONSEQUENTIAL, ARISING OUT OF THE USE OF, OR INABILITY TO USE, THIS PRODUCT OR FOR ANY BREACH OF ANY EXPRESS OR IMPLIED WARRANTY, INCLUDING THE IMPLIED WARRANTY OF MERCHANTABILITY APPLICABLE TO THIS PRODUCT.**

Some provinces do not allow the exclusion or limitation of incidental or consequential damages or limitations on how long an implied warranty lasts; so these limitations or exclusions may not apply to you. This warranty gives you specific legal rights and you may also have other rights which vary from province to province.

### THE ABOVE WARRANTY DOES NOT APPLY TO:

1. Service trips to your home to deliver and pickup, install, instruct, or replace house fuses or correct wiring, plumbing, or correction of unauthorized repairs.
2. Damage to the product caused by accident, vermin, fire, flood, alteration, misuse, abuse, improper installation, or acts of God.
3. Commercial use or use for other than the intended purpose.

**Therefore, these costs are the responsibility of the consumer.**

### CUSTOMER ASSISTANCE NUMBERS:

**To Prove Warranty Coverage:**

**Retain your Sales Receipt to prove date of purchase.**

A copy of your Sales Receipt must be submitted at the time warranty service is provided.

**To Obtain Product, Customer, or Service Assistance by phone:**

Call **1-888-542-2623** (1-888-LG-CANADA) and choose the appropriate prompt.

**or by Internet:**

<http://www.lg.ca>

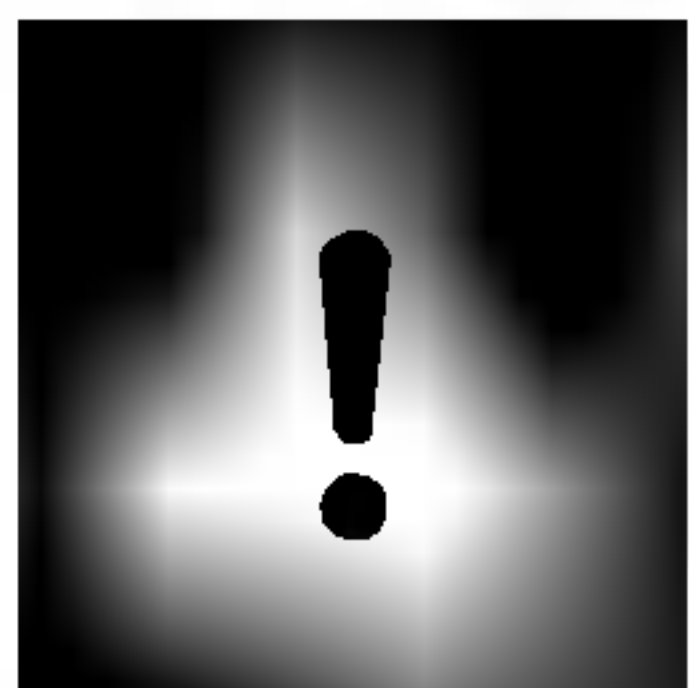
**To Obtain Nearest Authorized Service Center, Parts Distributor, or Sales Dealer by phone:**

Call **1-888-542-2623** (1-888-LG-CANADA) and choose the appropriate prompt. Please have your product type (refrigerator) and ZIP Code ready.

**or by Internet:**

<http://www.lg.ca>

This guide contains many important safety messages. Always read and obey all safety messages.



This is the safety alert symbol. It alerts you to safety messages that inform you of hazards that can kill or hurt you or others, or cause damage to the product.

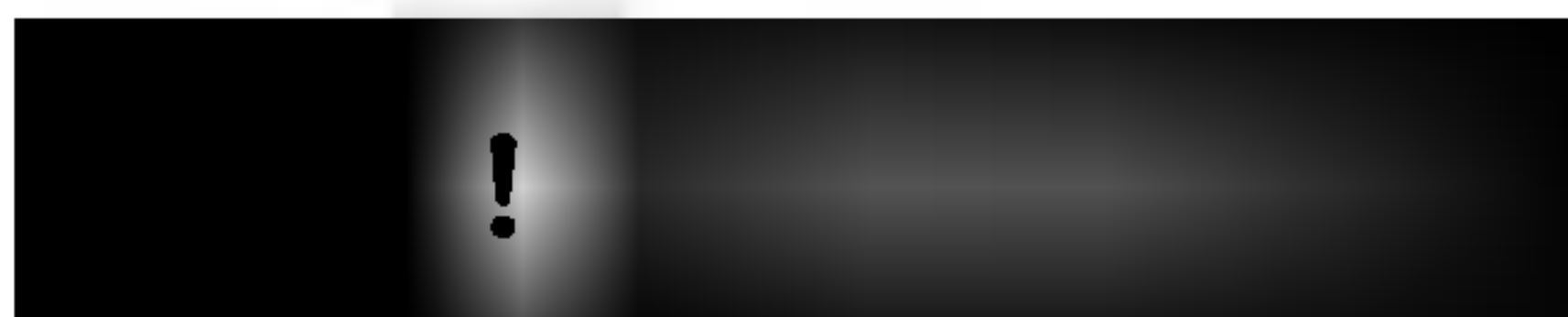
All safety messages will be preceded by the safety alert symbol and the hazard signal word DANGER, WARNING or CAUTION. These words mean:



You **will** be killed or seriously injured if you don't follow instructions.

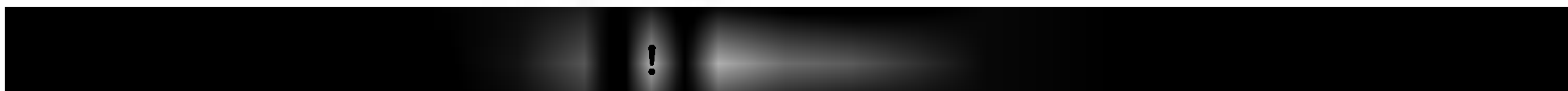


You **can** be killed or seriously injured if you don't follow instructions.



Indicates an imminently hazardous situation which, if not avoided, **may** result in minor or moderate injury, or product damage only.

All safety messages will identify the hazard, tell you how to reduce the chance of injury and tell you what can happen if the instructions are not followed.



**For education, fire, electrical, and injury prevention, read these instructions carefully. Always read and follow all safety instructions, warnings, and precautions before using the product.**

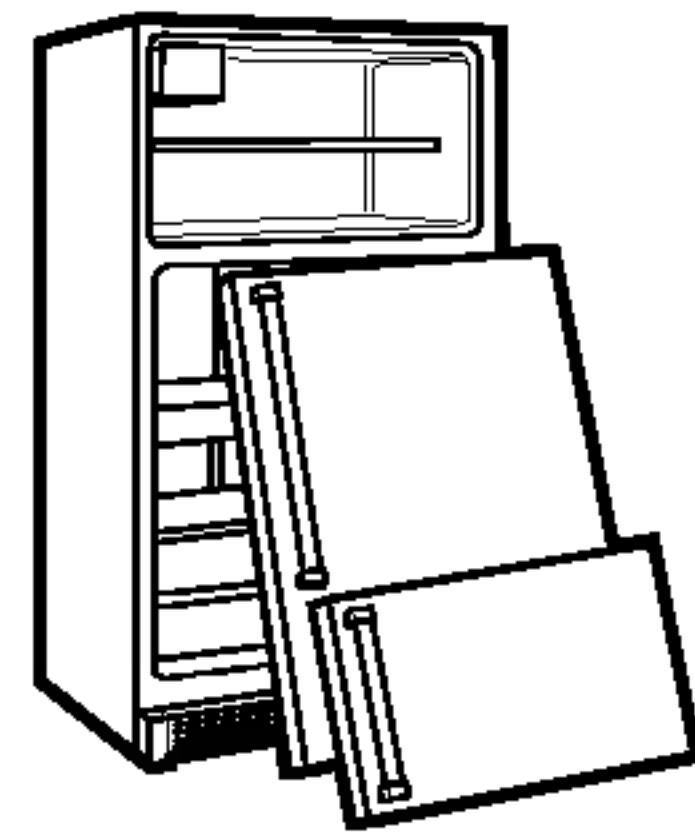
- NEVER plug your refrigerator into an outlet that is not properly grounded. Always plug into a properly grounded outlet.
- Repair or replace immediately all electrical services that have become damaged. Do not use cords that have frayed or damaged insulation or that have frayed or damaged insulation on either end of the cord.
- When moving your refrigerator away from the wall, be careful not to damage the floor.
- DO NOT store any flammable or combustible liquids in the refrigerator.
- DO NOT allow children or pets to touch the refrigerator doors or the interior. They could be injured or damaged.
- Keep fingers away from "pinch points" and sharp edges between the doors and between the doors and the interior. Be careful of sharp edges of the doors when they are open.
- Unplug your refrigerator before cleaning or repairing. **NOTE:** We strongly recommend that only a qualified individual perform these tasks.
- Before replacing a burned-out light bulb, unplug the refrigerator from the power outlet. The circuit breaker will trip if you use a burned-out light bulb. **NOTE:** Setting either the thermostat or the defrost timer to the "off" position will remove power to the light circuit.
- For personal safety, use the product only if you are properly trained. Have all electrical work checked by a qualified electrician to make sure the electrical system is properly grounded.

- Read all instructions before using the appliance.
- Use the appliance only for the intended purpose as described in the user manual.
- This refrigerator must be properly installed in accordance with the Attention! Installation instructions that are attached to the refrigerator.
- After your refrigerator is in operation, do not touch the old surfaces in the freezer compartment when the door is open or wet. Skin may be damaged or extremely hot surfaces.
- In refrigerators with automatic defrost, avoid contact with them when they are running. The defrost mechanism, or the heating element that releases the defrost, is hot. Do not place fingers or hands on the automatic defrost mechanism while the refrigerator is plugged in.
- DO NOT refreeze frozen foods that have been completely thawed. The United States Department of Agriculture and the National Food Safety and Inspection Service advise: "...You may safely refreeze frozen foods that have been thawed at 40°F (4°C)."  
"...Thawed ground meats, poultry, fish, and seafood should not be refrozen. Thawed meats should be discarded. If the food is of a quality that is questionable, get it out of the freezer. The food may be dangerous to eat."  
"Even partially thawed frozen foods should be of good quality. If the quality is poor, particularly fruits, vegetables, and prepared foods. The quality of frozen foods is affected. It is not safe to eat many of these foods. Use frozen foods as soon as possible or save them for use in cooking."

## SAVE THESE INSTRUCTIONS



Child entrapment and suffocation are not problems of the past. Junked or abandoned refrigerators are still dangerous...even if they will sit for "just a few days." If you are getting rid of your old refrigerator, please follow the instructions at right to help prevent accidents.



## BEFORE YOU THROW AWAY YOUR OLD REFRIGERATOR OR FREEZER

- Take off the doors.
- Leave the shelves in place so that children may not easily climb inside.

Your old refrigerator has a cooling system that used CFCs (chlorofluorocarbons). CFCs are believed to harm stratospheric ozone.

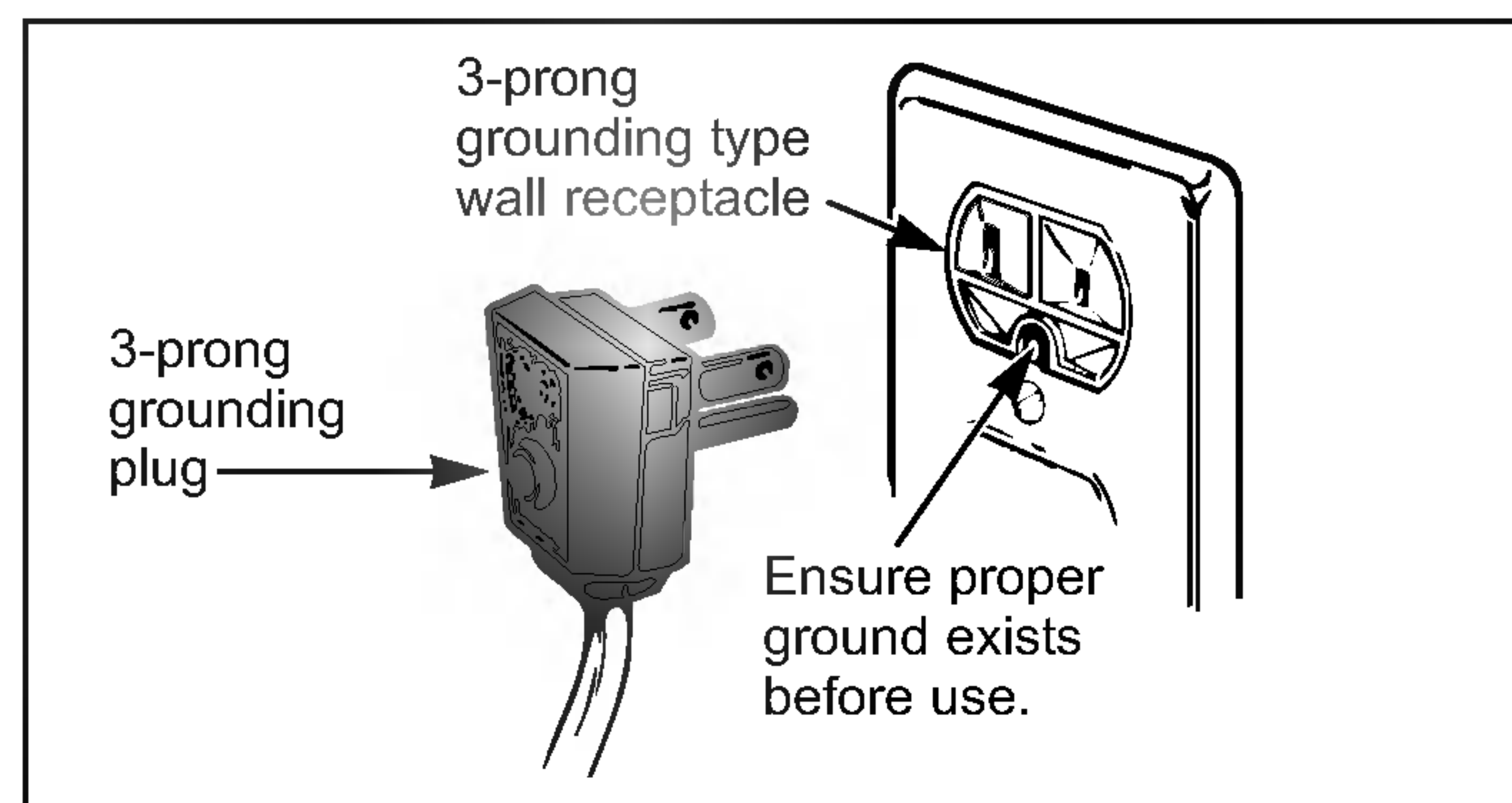
If you are throwing away your old refrigerator, make sure the CFC refrigerant is removed for proper disposal by a qualified servicer. If you intentionally release this CFC refrigerant, you can be subject to fines and imprisonment under provisions of environmental legislation.

**IMPORTANT:** Please read carefully.

## TO CONNECT ELECTRICITY

### Electrical Shock Hazard

**FOR PERSONAL SAFETY**, this appliance must be properly grounded. Have the wall outlet and the circuit checked by a qualified electrician to make sure the outlet is properly grounded.



## RECOMMENDED GROUNDING METHOD

The refrigerator should always be plugged into its own individual properly grounded electrical outlet rated for 115 Volts, 60 Hz, AC only and fused at 15 or 20 amperes. This provides the best performance and also prevents overloading house wiring circuits which could cause a fire hazard from overheated wires. It is recommended that a

separate circuit serving only this appliance be provided. Use a receptacle which cannot be turned off with a switch or pull chain. Do not use an extension cord.

Where a standard two-prong wall outlet is encountered, it is your personal responsibility and obligation to have it replaced with a properly grounded three-prong wall outlet.

**Do not, under any circumstances, cut or remove the third (ground) prong from the power cord.**

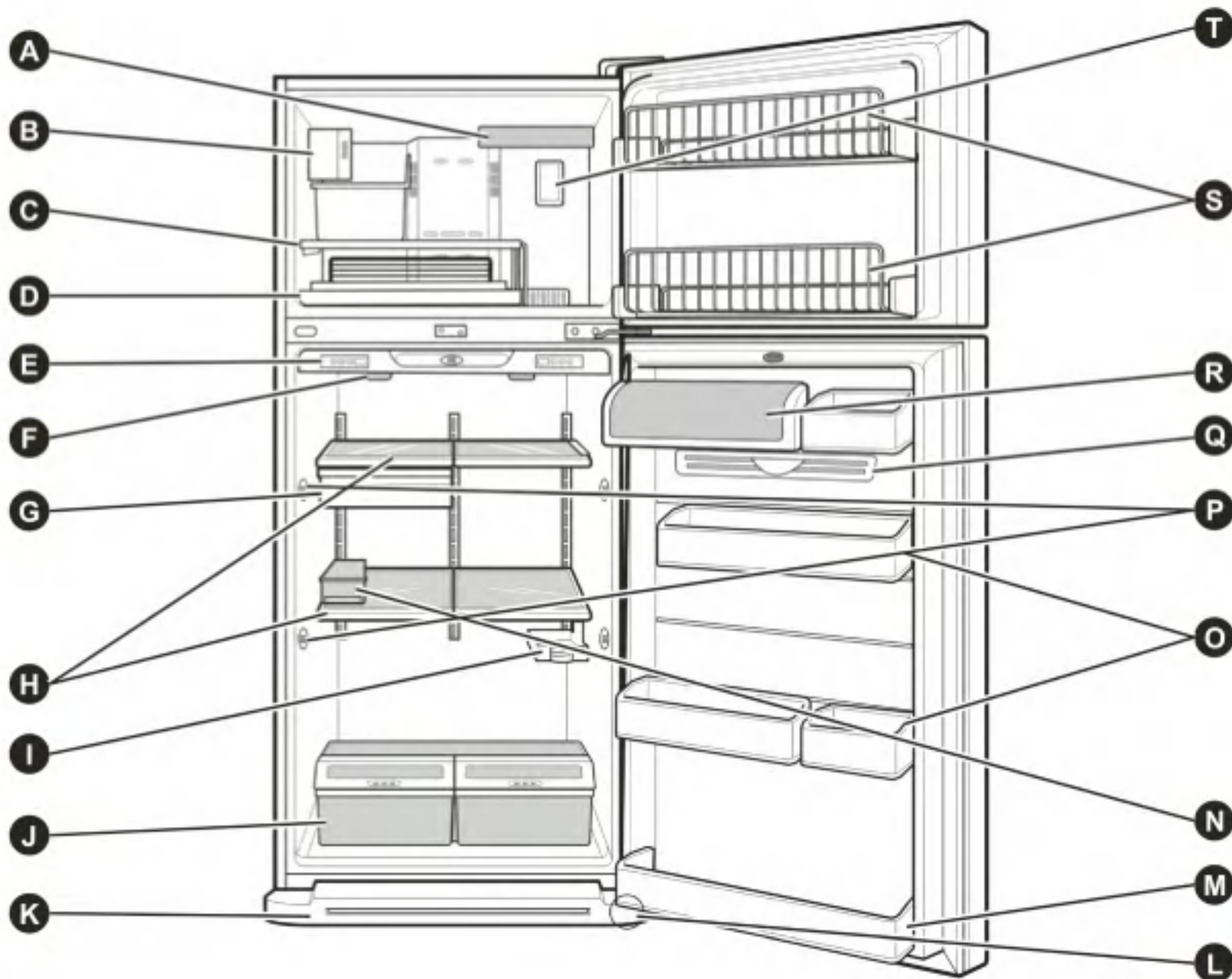
**NOTE:** Before performing any type of installation, cleaning, or removing a light bulb, turn the control (Thermostat, Refrigerator or Freezer Control depending on the model) to OFF and then disconnect the refrigerator from the electrical source. When you are finished, reconnect the refrigerator to the electrical source and reset the control (Thermostat, Refrigerator or Freezer Control, depending on the model) to the desired setting.

## USE OF EXTENSION CORDS

**Because of potential safety hazards under certain conditions, we strongly recommend against the use of an extension cord.** However, if you still elect to use an extension cord, it is absolutely necessary that it be a UL-listed (in the United States) or a CSA-listed (in Canada), 3-wire grounding type appliance extension cord having a grounding type plug and outlet and that the electrical rating of the cord be 15 amperes (minimum) and 120 volts.

Use of an extension cord will increase the clearance needed for the back of the refrigerator.





Use this section to become more familiar with the parts and features. Page references are included for your convenience.

**NOTE: This guide covers several different models. The refrigerator you have purchased may have some or all of the items listed below. The locations of the features shown below may not match your model.**

- Pizza Nook (p. 20)\*
- CustomCube Ice maker \* (p. 24)
- CustomFit (p. 20)
- FlexiFloor (p. 21)\*
- Digital Sensor Control (p. 14)
- Refrigerator Light (p. 22)\*
- Chef Fresh \* / Snack Pan (p.18)
- Shelves (p. 17)
- Can Dispenser\*
- OptiBin Crisper (p. 18)
- Base Grille (p. 10)
- Leveling Screw (inside) (p. 13)
- Refrigerator Door Bin (p. 19)
- Egg Box\*
- Design-A-Door (p. 19)
- Icebeam Door Cooling (p.14)\*
- Door Cooling
- Dairy Bin (p. 20)
- Freezer Door Bin (p. 20)\*
- Freezer Light (p. 23)

**\* on some models**

# REFRIGERATOR INSTALLATION

## ⚠ WARNING

### Excessive Weight Hazard

Use two or more people to move and install refrigerator.

Failure to do so can result in back or other injury.

## UNPACKING YOUR REFRIGERATOR

Remove tape and any temporary labels from your refrigerator before using. Do not remove any warning-type labels, the model and serial number label or the TechSheet that is attached to back wall of the refrigerator.

To remove any remaining tape or glue, rub the area briskly with your thumb. Tape or glue residue can also be easily removed by rubbing a small amount of liquid dish soap over the adhesive with your fingers. Wipe with warm water and dry.

Do not use sharp instruments, rubbing alcohol, flammable fluids or abrasive cleaners to remove tape or glue. These products can damage the surface of your refrigerator. For more information, see the Important Safety Instructions section.

Refrigerator shelves are installed in the shipping position.

Please reinstall shelves according to your individual storage needs.

### When Moving Your Refrigerator:

Your refrigerator is heavy. When moving the refrigerator for cleaning or service, be sure to protect the floor. Always pull the refrigerator straight out when moving it. Do not wiggle or walk the refrigerator when trying to move it, as floor damage could occur.

## ⚠ WARNING



### Explosion Hazard

Keep flammable materials and vapors, such as gasoline, away from refrigerator.

Failure to do so can result in death, explosion or fire.

## INSTALLATION

1. Avoid placing the unit near heat sources, direct sunlight or moisture.
2. To avoid vibration, the unit must be level. If required, adjust the leveling screws to compensate for unevenness of the floor. The front should be slightly higher than the rear to aid in door closing. Leveling screws can be turned easily by tipping the cabinet slightly. Turn the leveling screws clockwise (➡) to raise the unit, counterclockwise (↩) to lower it.
3. Install this appliance in an area where the temperature is between 55°F (13°C) and 110°F (43°C.) If the temperature around the appliance is too low or high, cooling ability may lessen.

## NEXT

1. Clean your refrigerator thoroughly and wipe off all dust accumulated during shipping.
2. Install accessories such as ice cube bin, drawers, shelves, etc., in their proper places. They are packed together to prevent possible damage during shipment.
3. Let your refrigerator run for 2 or 3 hours before putting food in it. Check the flow of cold air in the freezer compartment to ensure proper cooling. Your refrigerator is now ready for use.

## CAUTION:

- Be careful when you work with hinge, base grille, stopper etc. You may be injured.
- Do not put hands or metal sticks into air vents, base grille or bottom of refrigerator. You may be injured or receive an electrical shock.

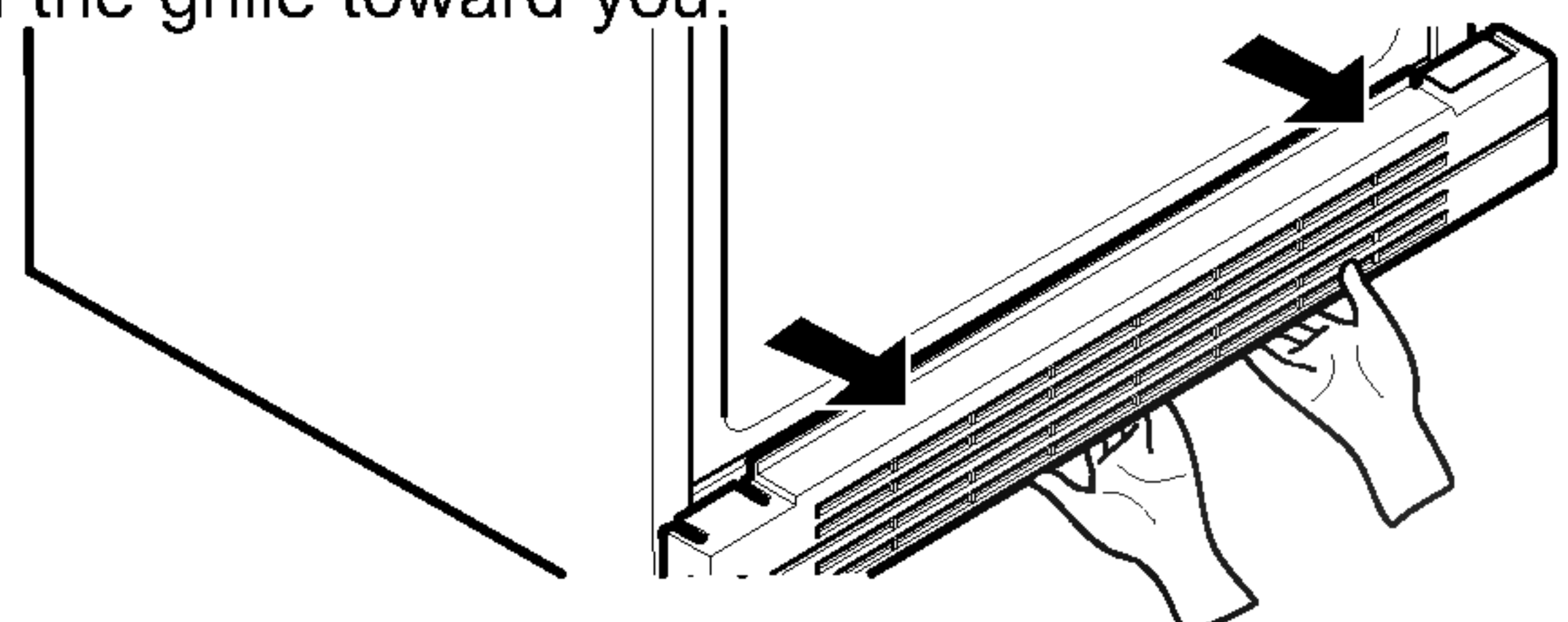
## BASE GRILLE

### To attach the base grille:

1. Open the refrigerator door.
2. There are two plastic flaps. Fold only the plastic flap on same side as door hinge.
3. Push clips in opening on metal panel toward refrigerator until it snaps firmly.

### To remove the base grille:

1. Open the refrigerator door.
2. Grasp the grille with both hands.
3. Pull the grille toward you.



## REMOVING, REVERSING (OPTIONAL) AND REPLACING REFRIGERATOR DOORS

**TOOLS NEEDED:** 1/4 hex-head socket wrench, NO. 2 Phillips screwdriver, flat-head screwdriver, 1/4-inch Open-end wrench, flat 2-inch utility knife.

**IMPORTANT:** Before you begin, turn the refrigerator OFF and unplug it. Remove food and any adjustable door or utility bins from doors.

### HOW TO REVERSE DOOR OPENING DIRECTION (when converting from the left-opening type to right-opening type)

#### 1. Removing Freezer Door

- Remove the top hinge cover (1).
- Remove the 3 screws and lift off the top hinge (2).
- Lift the freezer door (3) slightly and remove it.
- Pry off the cover (4) using a slotted screwdriver and attach it on the right.
- Loosen the screw (5), remove (6), (7), (8), Reverse (6) (7), (8) as illustrated exactly and attach it to the left of the door.

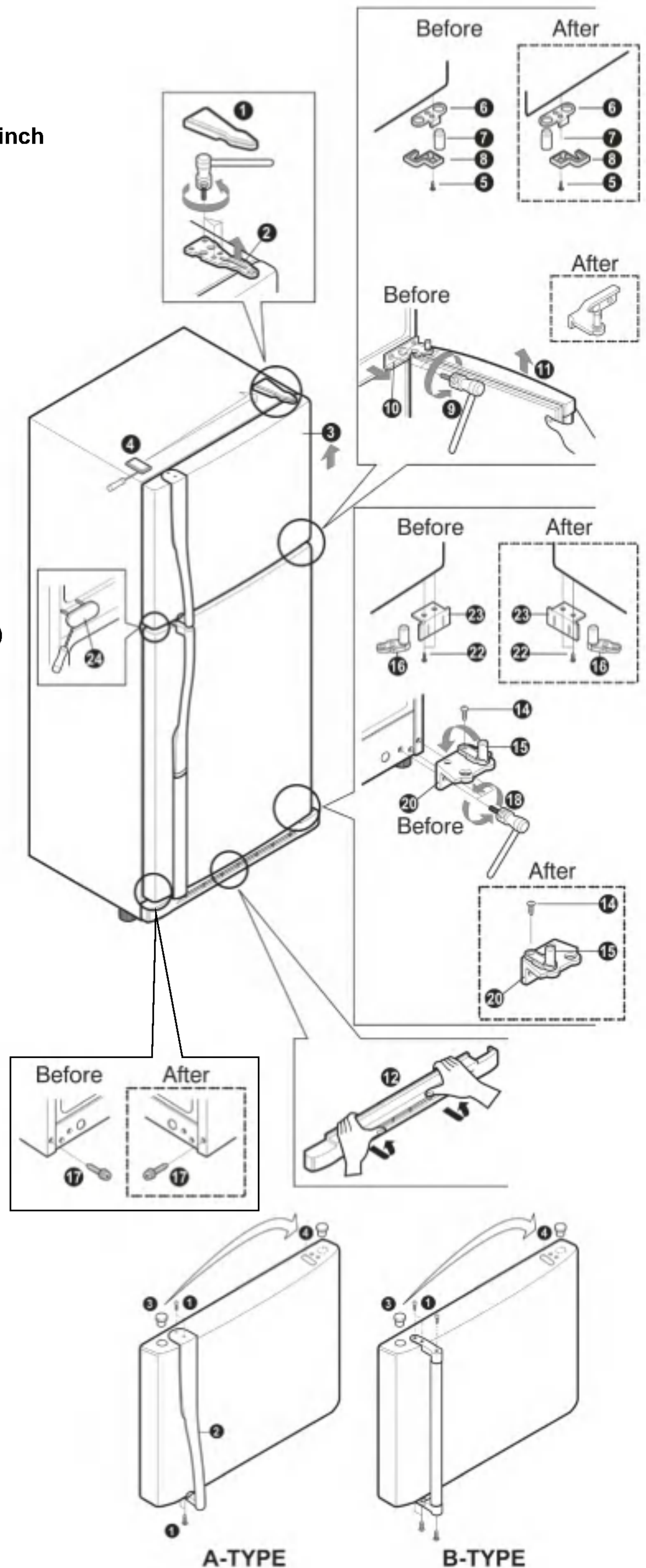
#### 2. Removing Refrigerator Door

- Loosen the screws (9) and lift off the middle Hinge (10).
- Lift the door (11) slightly and remove it.
- Take off the base grille (12).
- Loosen the screw (14) and remove the pin (15) from right side on hinge (20) to left side on hinge (20).
- Remove screw (17) on left side of the base.
- Loosen 3 screws (18) on right side of the base. Remove the bottom hinge (20) and replace it on the left side of the base.
- Attach screw (17) on right side of the base.
- Loosen 2 screws (22) and reverse (16) and (23) as illustrated exactly and attach it to the left side.
- Pry off the cover (24) using a slotted screwdriver and attach it on the right.

#### 3. Moving Freezer Handle

##### A-TYPE, B-TYPE

- Remove cap (3) and cover (4).
- Loosen the screws (1) (two on the top and two on the bottom), take off the handle (2), and attach it on the right.
- Attach the removed cover (4) on the left.
- Attach cap (3) on the top right side.



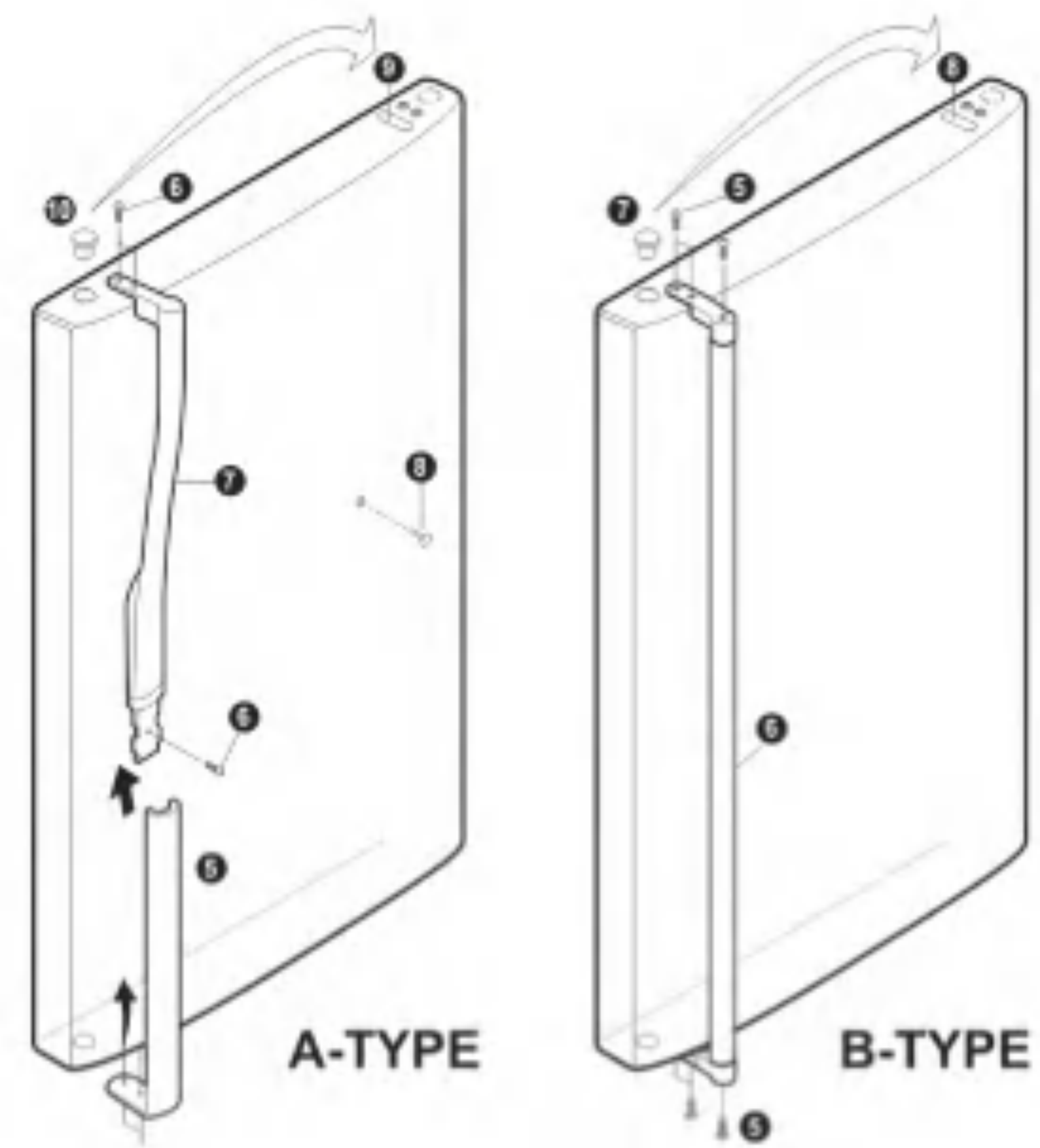
## 4. Moving Refrigerator Handle

### A-TYPE

- Remove caps (8) and (9).
- Pull cover (5) downward and take it off.
- Loosen 3 screws (6) (two on the top and one on the center), take off handle (7) and attach it on the right.
- Attach the cover (5) by pushing it up.
- Take off cap (10) and attach it on the right.
- Attach the removed caps (8) and (9) on the left side.

### B-TYPE

- Remove cap (7) and cap (8).
- Loosen the screws (5) (two on the top and two on the bottom), take off the handle (5), and attach it on the right.
- Attach the removed cap (8) on the left.
- Attach cap (7) on the top right side.



## 5. Attaching Refrigerator Door

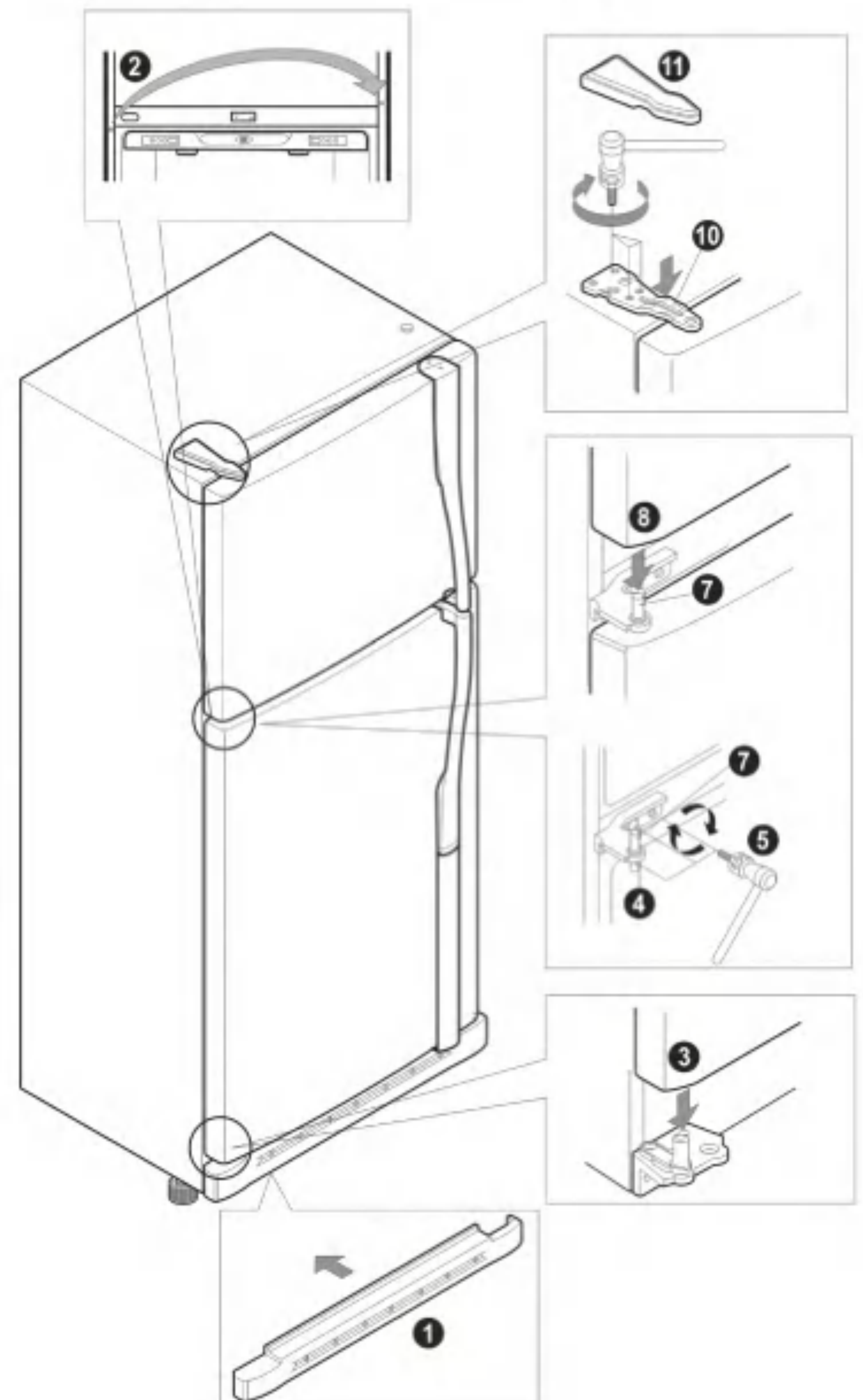
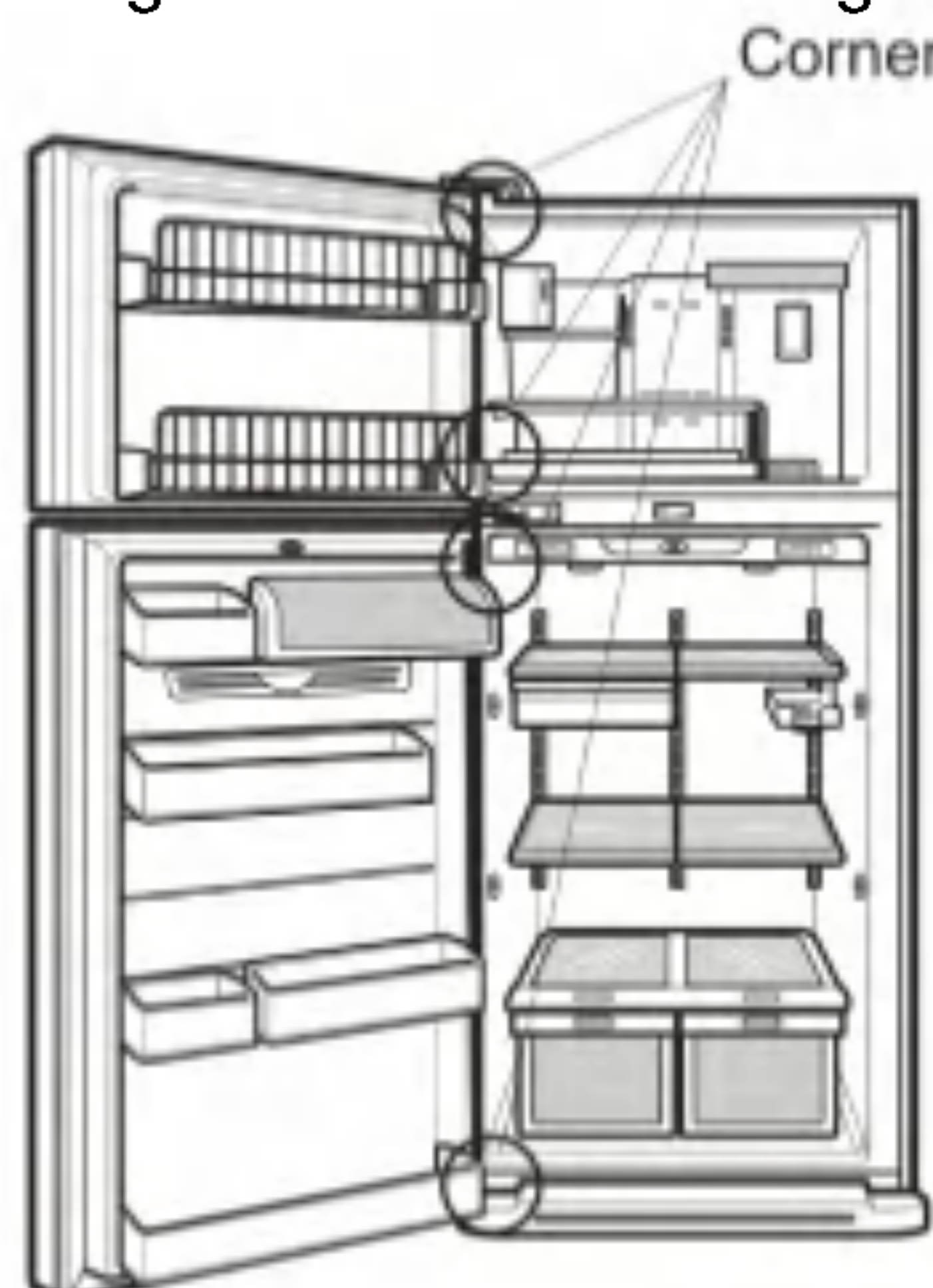
- Attach the base grille (1).
- Remove screw (2) from left side to right side.
- Attach the door (3) to the bottom hinge pin.
- Attach the middle hinge (4) on the opposite side with the 3 screws (5).

## 6. Attaching Freezer Door

- Place the door (8) onto the middle hinge pin (7).
- Attach the top hinge (10) with 3 screws.
- Reinstall top hinge cover (11).

## 7. After Completing the Job

- Make sure that the four corners of the door gasket are not folded over. To ensure a good seal, apply a small amount of silicon grease on the corner gaskets.



# REFRIGERATOR INSTALLATION

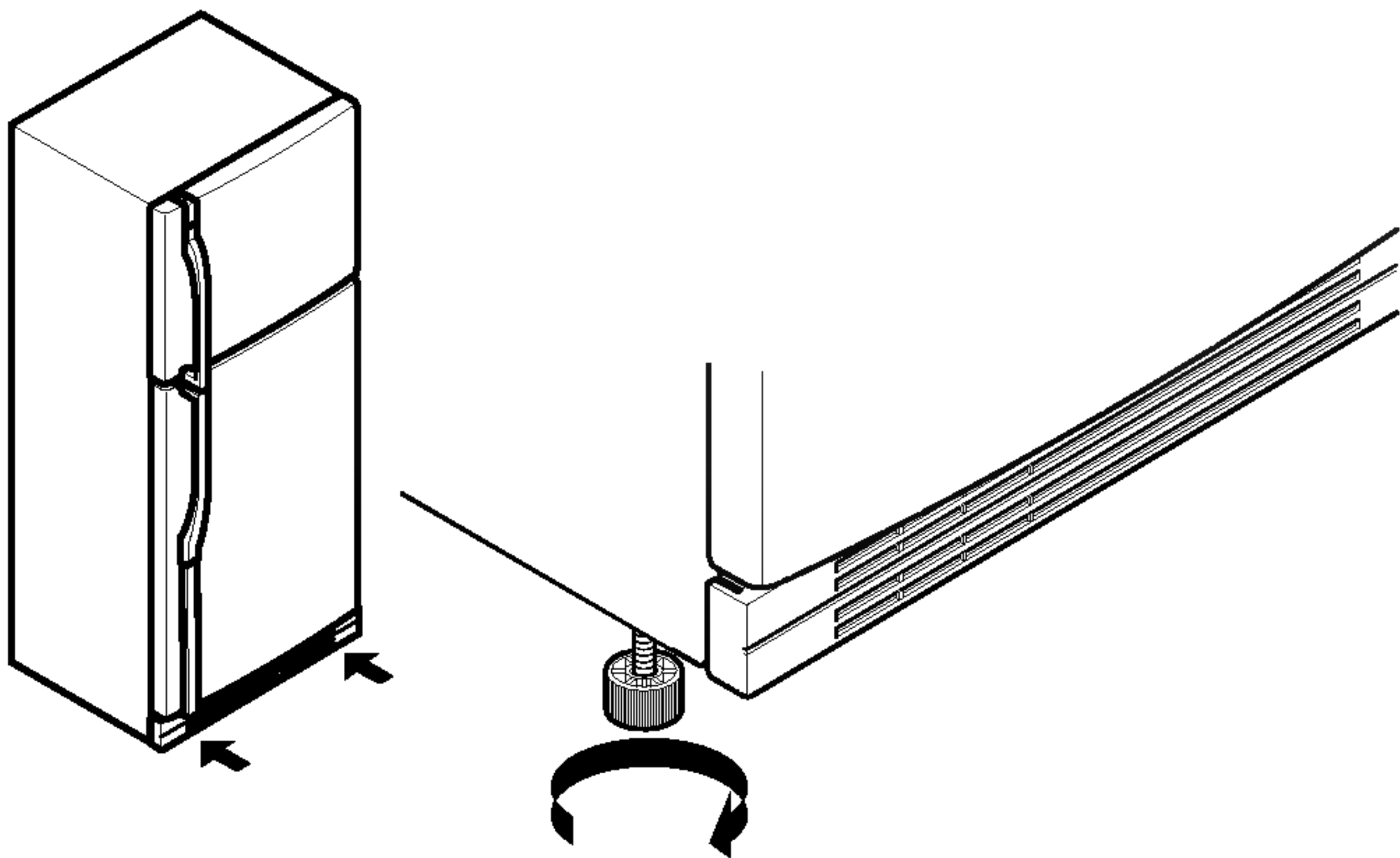
## DOOR CLOSING AND ALIGNMENT

### Door Closing

Your refrigerator has two front leveling screws—one on the right and one on the left. If your refrigerator seems unsteady or you want the doors to close easier, adjust the Refrigerator's tilt using the instructions below:

1. Plug refrigerator power cord into a 3-prong grounded outlet. Move the refrigerator into its final position.
2. Remove the base grille by pulling it straight out. The two leveling screws are located at the bottom of the refrigerator on either side.
3. Insert a flat screwdriver in slots to adjust the leveling screws. Turn the leveling screw clockwise to raise that side of the refrigerator or counterclockwise to lower it. It may take several turns of the leveling screw to adjust the tilt of the refrigerator.

**NOTE:** Having someone push against the top of the refrigerator takes some weight off the leveling screws. This makes it easier to adjust the screws.



4. Open both doors again and check to make sure that they close easily. If not, tilt the refrigerator slightly more to the rear by turning both leveling screws clockwise. It may take several more turns, and you should turn both leveling screws the same amount.
5. Replace the base grille.

### Door Alignment

If the space between your doors is uneven, follow the instructions below to align the doors:

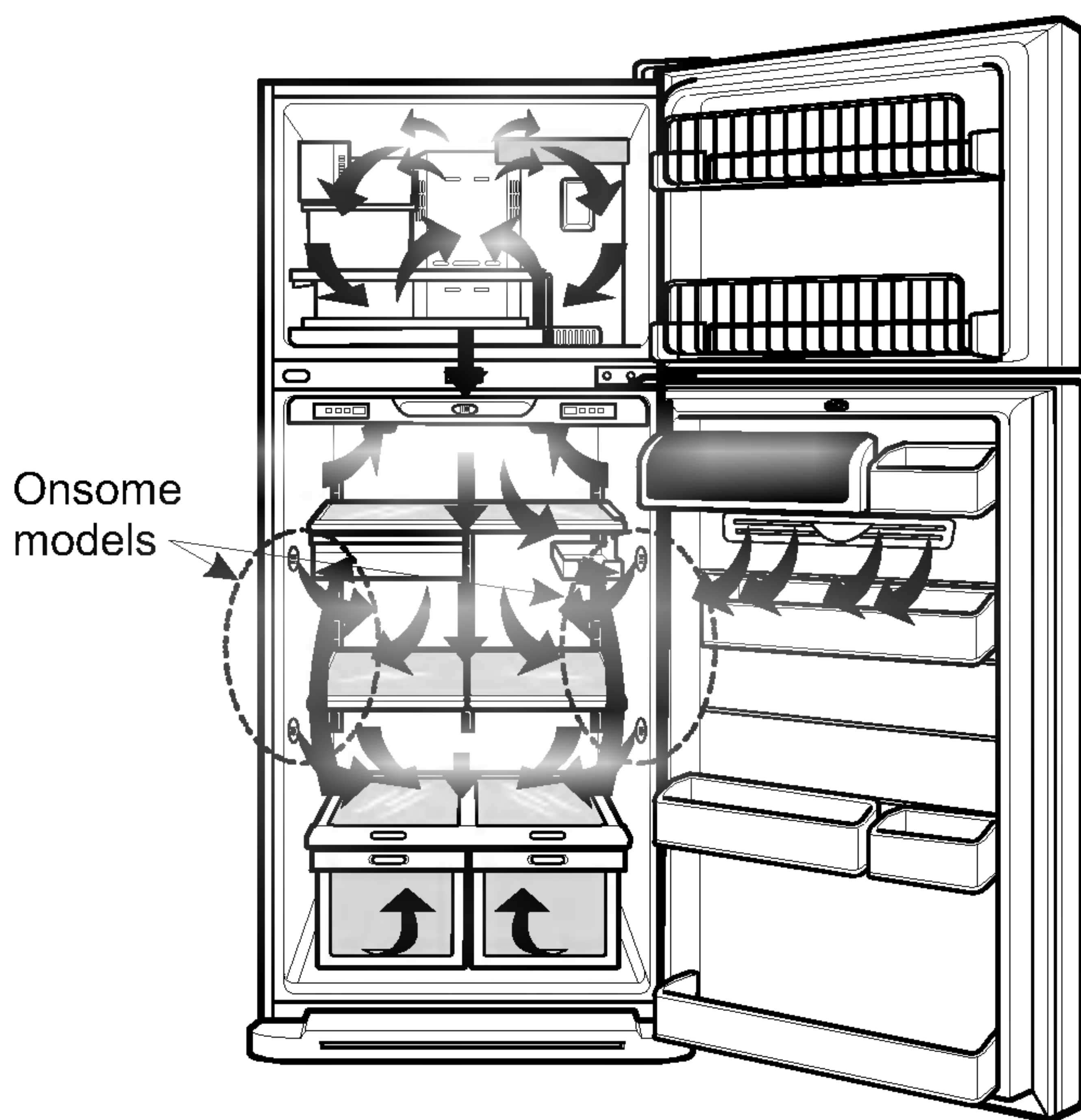
1. Pry off the top hinge cover.
2. Loosen the top hinge screws using a 10mm socket or wrench.
3. Have someone hold the door in place or put a spacer between the doors while you tighten the top hinge screws.
4. Replace the top hinge cover.

## ENSURING PROPER AIR CIRCULATION

In order to ensure proper temperatures, air must flow between the refrigerator and freezer sections. As shown in the illustration below, cool air enters through the bottom of the freezer section and moves up. Most of the air then flows through the freezer section vents and recirculates under the freezer floor. The rest of the air enters the refrigerator section through the top vent.

## ICEBEAM DOOR COOLING (on some models) DOOR COOLING

- To provide cool air everywhere, there are cool air vents on all four internal walls in Icebeam Door Cooling and on two internal wall in Door Cooling.
- This allows for more powerful and effective Cooling. It is especially noticeable when new food is placed in the refrigerator compartment.

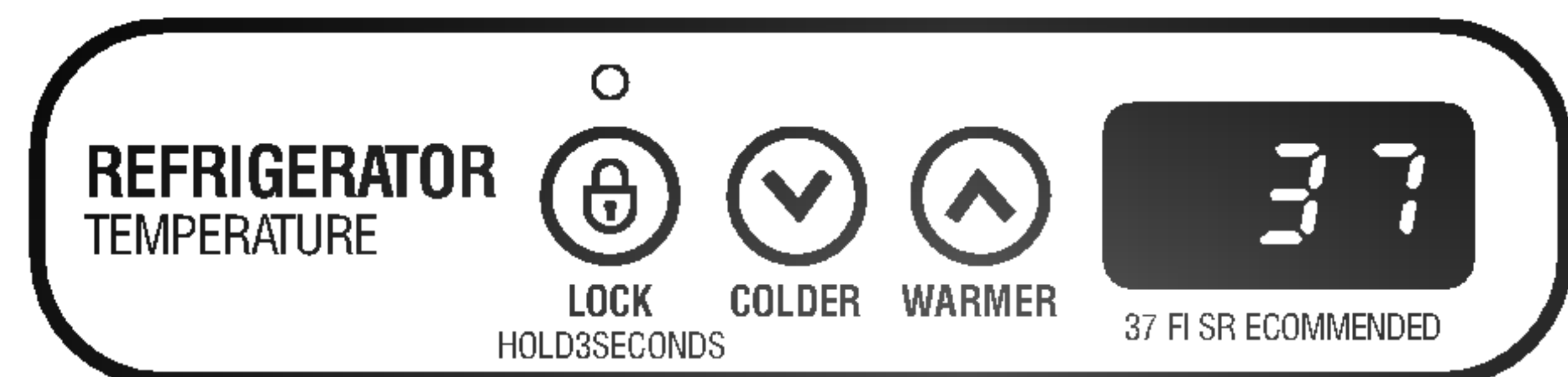


### IMPORTANT:

- **Do not block any of these vents** with food packages. If the vents are blocked, airflow will be interrupted and temperature and moisture problems may occur.
- If water or foreign substances enter the cool air vent while cleaning, efficiency will be lowered. In addition, if gasket is damaged, efficiency may be lowered because of escaping cool air.

## SETTING THE CONTROLS (on some models)

- Your refrigerator has two controls that let you regulate the temperature in the freezer and refrigerator compartments.
- Initially set the REFRIGERATOR CONTROL at 37°F (3°C) and the FREEZER CONTROL at 0°F (-18°C). Leave it at this setting for 24 hours (one day) to stabilize. Then adjust the compartment temperature as desired.
- **Refrigerator control: 32°F to 47°F (0°C to 8°C)**  
The lower the number setting, the colder the refrigerator compartment will become.



**NOTE:** You can lock the controls so the settings cannot be changed.

### To lock the control:

1. Set the control to the desired settings.
2. Press and hold the lock pad for 3 seconds.

When the controls are locked, the indicator light will be on and the cold and colder controls will not operate.

### To unlock the control:

1. Press and hold the lock pad for 3 seconds.

After unlocking the controls, the temperature settings will be displayed, the lock indicator light will be out, and the settings can be changed.

- **Freezer control: -6°F to 8°F (-21°C to -13°C)**

When the setting is at a lower number, the freezer compartment becomes colder. But the refrigerator compartment becomes warmer because less cold air flows into the refrigerator.

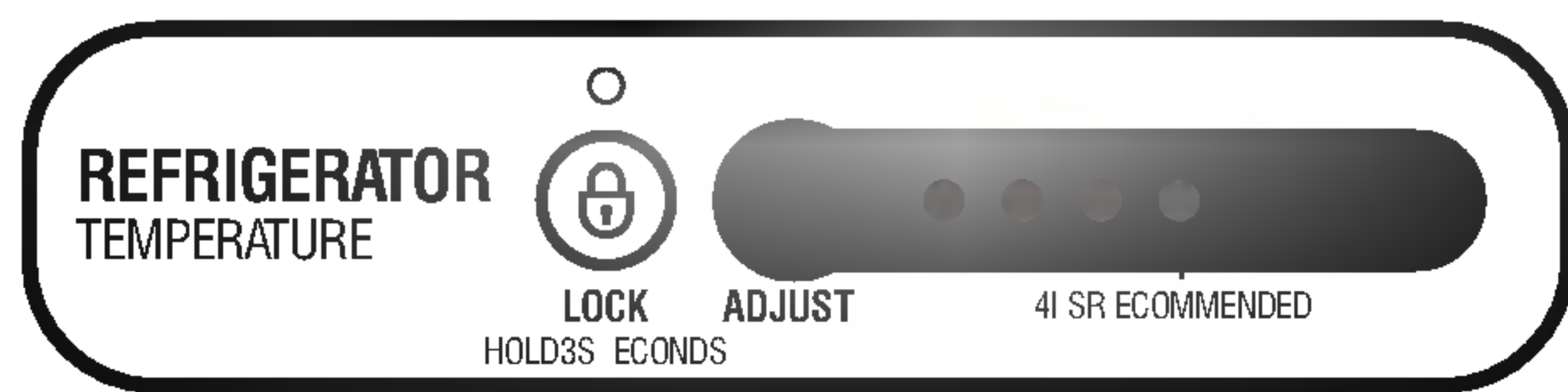


**NOTE:** °F/°C display control-press this control to change the displayed temperature to °F or °C.

**NOTE:** To turn the refrigerator off, press and hold the °F / °C button for 3 seconds and it will show "FF" in the display. To turn the refrigerator on, press and hold the °F / °C button for 3 seconds again, and it will return to start-up status.

## SETTING THE CONTROLS

- Your refrigerator has two controls that let you regulate the temperature in the freezer and refrigerator compartments.
- Initially set the REFRIGERATOR CONTROL at 4th position 37°F (3°C) and the FREEZER CONTROL at 4th position 0°F(-18°C)  
Leave it at this setting for 24 hours (one day) to stabilize. Then adjust the compartment temperature as desired.
- Refrigerator control: Position 1 to 7 (30°F to 48°F or -1°C to 9°C)**  
The higher position setting, the colder the refrigerator compartment will become.



**NOTE:** You can lock the controls so the settings cannot be changed.

### To lock the control:

- Set the control to the desired settings.
- Press and hold the lock pad for 3 seconds.

When the controls are locked, the indicator light will be on and the cold and colder controls will not operate.

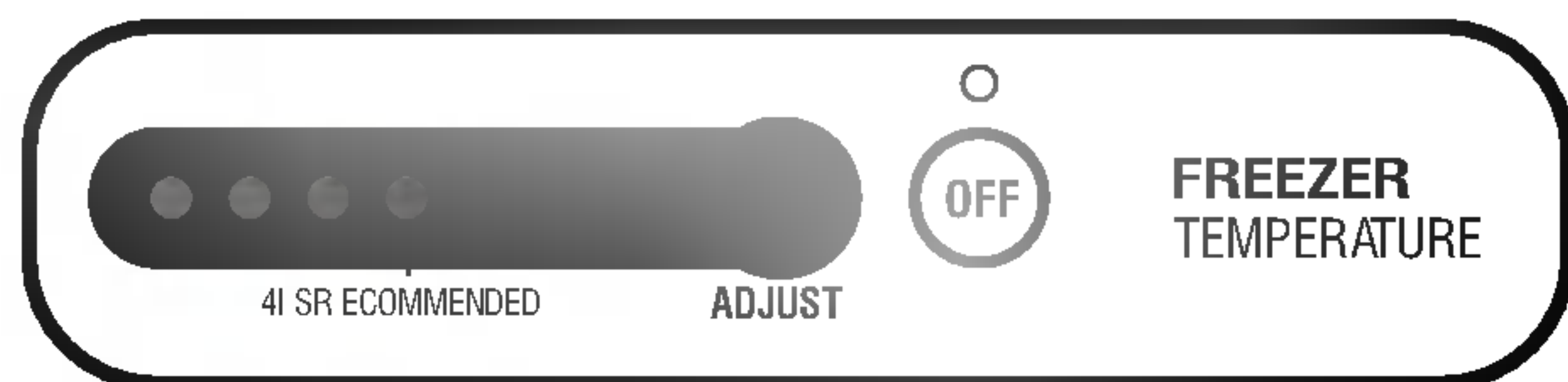
### To unlock the control:

- Press and hold the lock pad for 3 seconds.

After unlocking the controls, the lock indicator light will be out, and the setting can be changed.

- Freezer control: Position 1 to 7 (-6°F to 8°F or -21°C to -13.5°C)**

When the setting is at a higher position, the freezer compartment becomes colder. But the refrigerator compartment becomes warmer because less cold air flows into the refrigerator.



**NOTE:** Pressing OFF control key, we setting the refrigerator for exhibition mode. Only the refrigerator lights will work, not the refrigerator.

**NOTE:** To turn the refrigerator off, press and hold the OFF button for 3 seconds. To turn the refrigerator ON, press and hold the OFF button for 3 seconds again.

## ADJUSTING CONTROL SETTINGS

Give the refrigerator time to cool down completely before adding food. It is best to wait 24 hours before you put food into the refrigerator. The mid-settings indicated in the previous section should be correct for normal household refrigerator usage. The controls are set correctly when milk or juice is as cold as you like and when ice cream is firm.

The refrigerator control functions as the thermostat for the entire appliance (refrigerator and freezer sections.) The higher the number setting, the longer the compressor will run to keep the temperature colder. The freezer control adjusts the cold air flow from the freezer to the refrigerator. Setting the freezer control to a lower temperature keeps more cold air in the Freezer compartment to make it colder.

If you need to adjust temperatures in the refrigerator or freezer, start by adjusting the refrigerator first. Wait 24 hours after the refrigerator adjustment to check the freezer temperature. If it is too warm or too cold, then adjust the freezer control as well.

Use the settings listed in the chart below as a guide. **Always remember to wait at least 24 hours between adjustments.**

CONDITION/REASON:	RECOMMENDED ADJUSTMENT:
<b>REFRIGERATOR section too warm</b> <ul style="list-style-type: none"> <li>Door opened often</li> <li>Large amount of food added</li> <li>Room temperature very warm</li> </ul>	Turn <b>REFRIGERATOR</b> control to next higher number, wait 24 hours, then re-check
<b>FREEZER section too warm/ ice not made fast enough</b> <ul style="list-style-type: none"> <li>Door opened often</li> <li>Large amount of food added</li> <li>Very old room temperature (Can't cycle enough)</li> <li>Heavy ceiling</li> <li>Air vents blocked by items</li> </ul>	Turn <b>FREEZER</b> control to next higher number, wait 24 hours, then re-check
<b>REFRIGERATOR section too cold</b> <ul style="list-style-type: none"> <li>Controls not set correctly or your conditions</li> </ul>	Turn <b>REFRIGERATOR</b> control to next lower number, wait 24 hours, then re-check
<b>FREEZER section too cold</b> <ul style="list-style-type: none"> <li>Controls not set correctly or your conditions</li> </ul>	Turn <b>FREEZER</b> control to next lower number, wait 24 hours, then re-check

# USING YOUR REFRIGERATOR

## FOOD STORAGE GUIDE

### Storing Fresh Food

Wrap or store food in the refrigerator in airtight and moisture-proof material unless otherwise noted. This prevents food odor and taste transfer throughout the refrigerator. For dated products, check code date to ensure freshness.

---

### Butter or margarine

Keep opened butter in a covered dish or closed compartment. When storing an extra supply, wrap in freezer packaging and freeze.

---

### Cheese

Store in the original wrapping until you are ready to use it. Once opened, rewrap tightly in plastic wrap or aluminum foil.

---

### Milk

Wipe milk cartons. For best storage, place milk on interior shelf, not on door shelf.

---

### Eggs

Store in original carton on interior shelf, not on door shelf.

---

### Fruit

Wash, let dry, and store in refrigerator in plastic bags or crisper. Do not wash or hull berries until they are ready to use. Sort and keep berries in original container in a crisper, or store in a loosely closed paper bag on a refrigerator shelf.

---

### Leafy vegetables

Remove store wrapping and trim or tear off bruised and discolored areas. Wash in cold water and drain. Place in plastic bag or plastic container and store in crisper.

---

### Vegetables with skins (carrots, peppers)

Place in plastic bags or plastic container and store in crisper.

---

### Fish

Use fresh fish and shellfish the same day purchased.

---

### Meat

Store most meat in original wrapping as long as it is airtight and moisture-proof. Rewrap if necessary. See the following chart for storage times. When storing meat longer than the times given, freeze the meat.

Chicken .....	1-2 days
Ground beef .....	1-2 days
Organ meats (liver, heart, etc.) .....	1-2 days
Cold cuts .....	3-5 days
Steaks/roasts .....	3-5 days
Cured meats.....	7-10 days

---

### Leftovers

Cover leftovers with plastic wrap or aluminum foil.

## STORING FROZEN FOOD

**NOTE:** For further information about preparing food for freezing or food storage times, check a freezer guide or reliable cookbook.

### Packaging

Successful freezing depends on the correct packaging. When you close and seal the package, it must not allow air or moisture in or out. If you do, you could have food odor and taste transfer throughout the refrigerator, and also dry out frozen food.

### Packaging recommendations:

- Rigid plastic containers with tight-fitting lids
- Straight-sided canning/freezing jars
- Heavy-duty aluminum foil
- Plastic-coated paper
- Non-permeable plastic wraps
- Specified freezer-grade self-sealing plastic bags

Follow package or container instructions for proper freezing methods.

### Do not use:

- Bread wrappers
- Non-polyethylene plastic containers
- Containers without tight lids
- Wax paper or wax-coated freezer wrap
- Thin, semi-permeable wrap

### Freezing

Your freezer will not quick-freeze any large quantity of food. Do not put more unfrozen food into the freezer than will freeze within 24 hours (no more than 2 to 3 lbs of food per cubic foot [907-1350 g per liter] of freezer space). Leave enough space in the freezer for air to circulate around packages. Be careful to leave enough room at the front so the door can close tightly.

Storage times will vary according to the quality and type of food, the type of packaging or wrap used (airtight and moisture-proof) and the storage temperature. Ice crystals inside a sealed package are normal. This simply means that moisture in the food and air inside the package have condensed, creating ice crystals.

**NOTE:** Allow hot foods to cool at room temperature for 30 minutes, then package and freeze. Cooling hot foods before freezing saves energy.

**NOTE:** Do not store food near the sensor; it may cause the sensor to malfunction.

## WARNING

### Suffocation Hazard

When using dry ice, provide adequate ventilation. Dry ice is frozen carbon dioxide (**CO<sub>2</sub>**). When it vaporizes, it can displace oxygen, causing dizziness, light-headedness, unconsciousness and death by suffocation. Open a window and do not breathe the vapors.



## REFRIGERATOR SHELVES

The shelves in your refrigerator are adjustable to meet your individual storage needs. Your model may have glass or wire shelves.

Storing similar food items together in your refrigerator and adjusting the shelves to fit different heights of items will make finding the exact item you want easier; it will also reduce the amount of time the refrigerator door is open, saving energy.

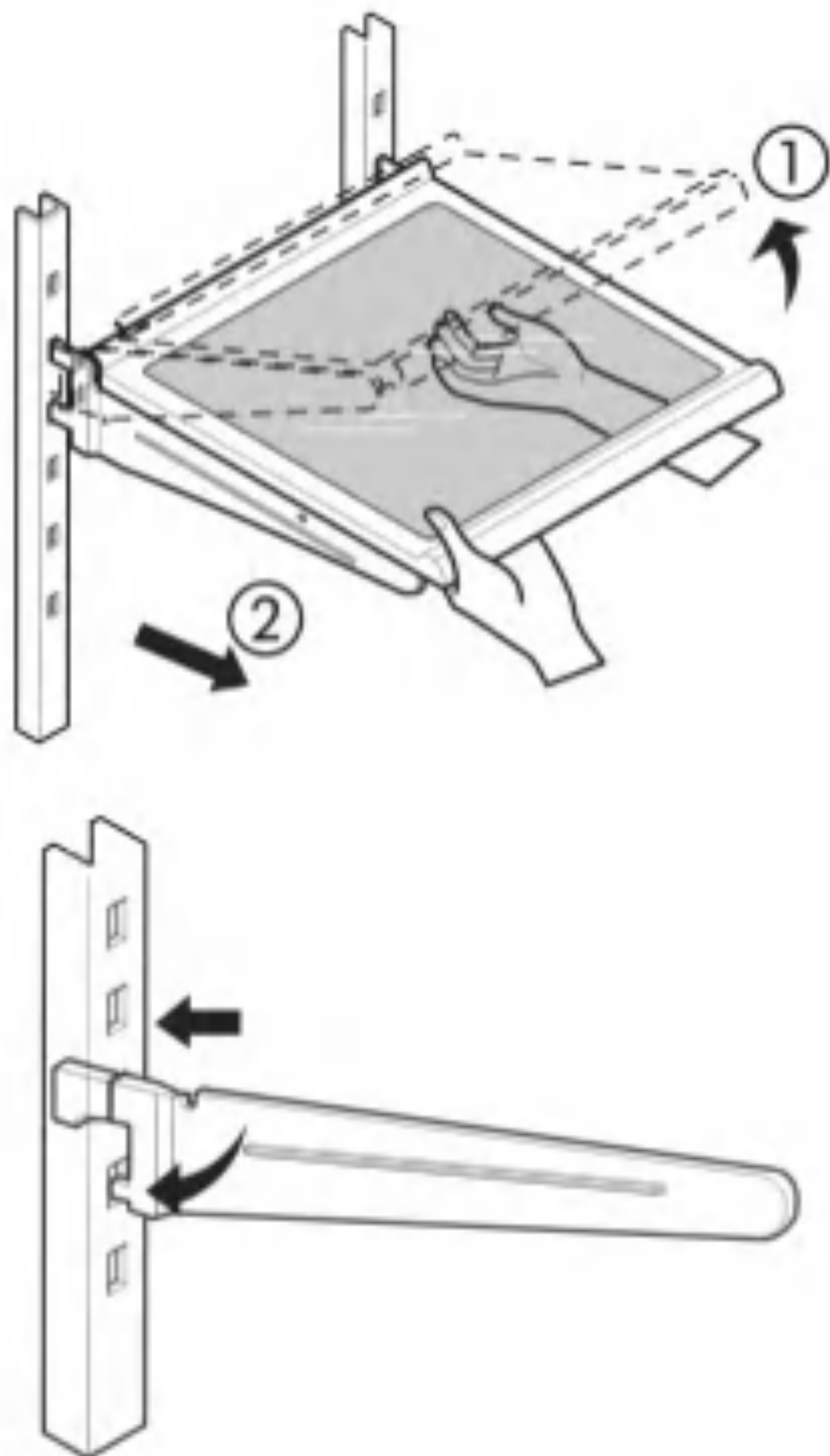
**IMPORTANT:** Do not clean glass shelves with warm water when they are cold. Shelves may break if exposed to sudden temperature changes or impact, such as bumping. For your protection, glass shelves are made with tempered glass, which will shatter into small pebble-sized pieces.

**NOTE:** Glass shelves are heavy. Use special care when removing them to avoid dropping them.

### Adjustable Shelves

Remove shelves from the shipping position and replace shelves in the position you want.

- **To remove a shelf**—Tilt up the front of the shelf in the direction of (1) and lift it in the direction of (2). Pull the shelf out.
- **To replace a shelf**—Tilt the front of the shelf up and place the shelf hooks into metal slots at desired position. Then lower the front of the shelf so that the hooks drop into the slots.

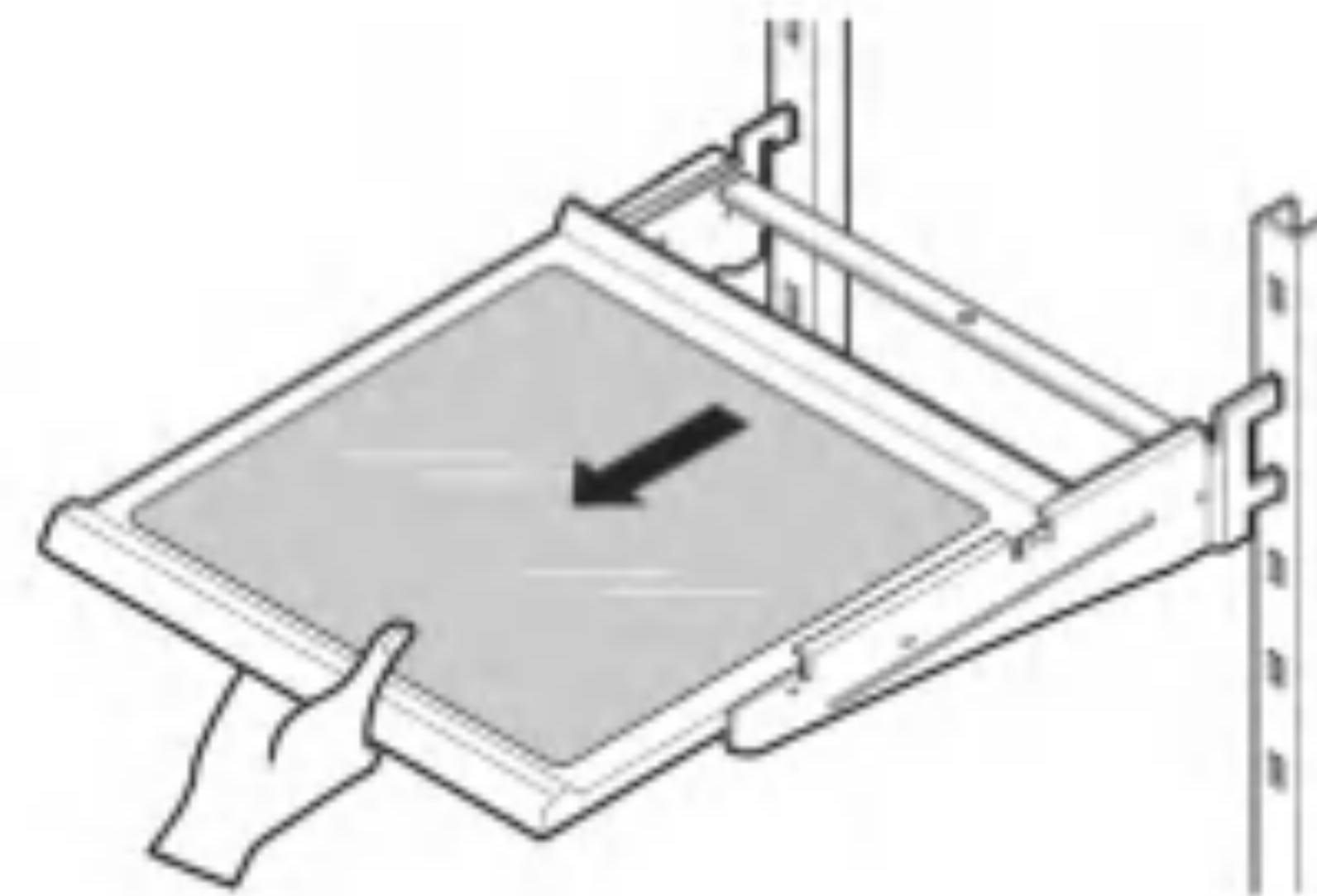


**NOTE:** Make sure that shelves are level from one side to the other. Failure to do so may result in the shelf falling or spilling food.

### Slide Out Shelves

You can slide some glass shelves in and out of your refrigerator as follows.

- **To slide the shelf out**, carefully pull front of shelf toward you.
- **To slide shelf in**, push shelf in until it stops.



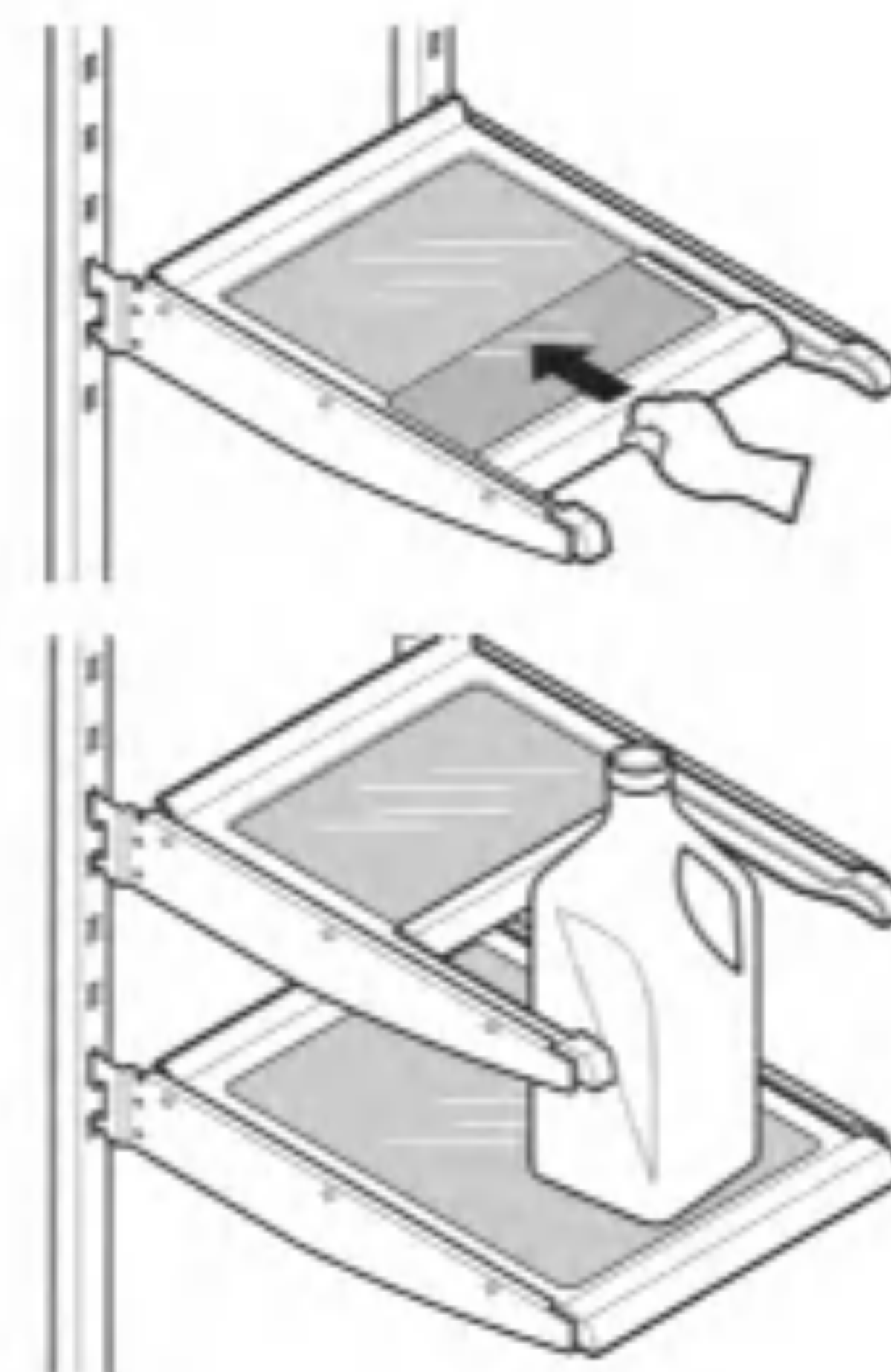
### To remove a sliding shelf from its metal frame:

1. Pull the shelf toward you until it stops.
2. Tilt the front of the shelf up and pull it past the stop.
3. Lift up the shelf to remove.

**Replace the shelf** by reversing the above steps.

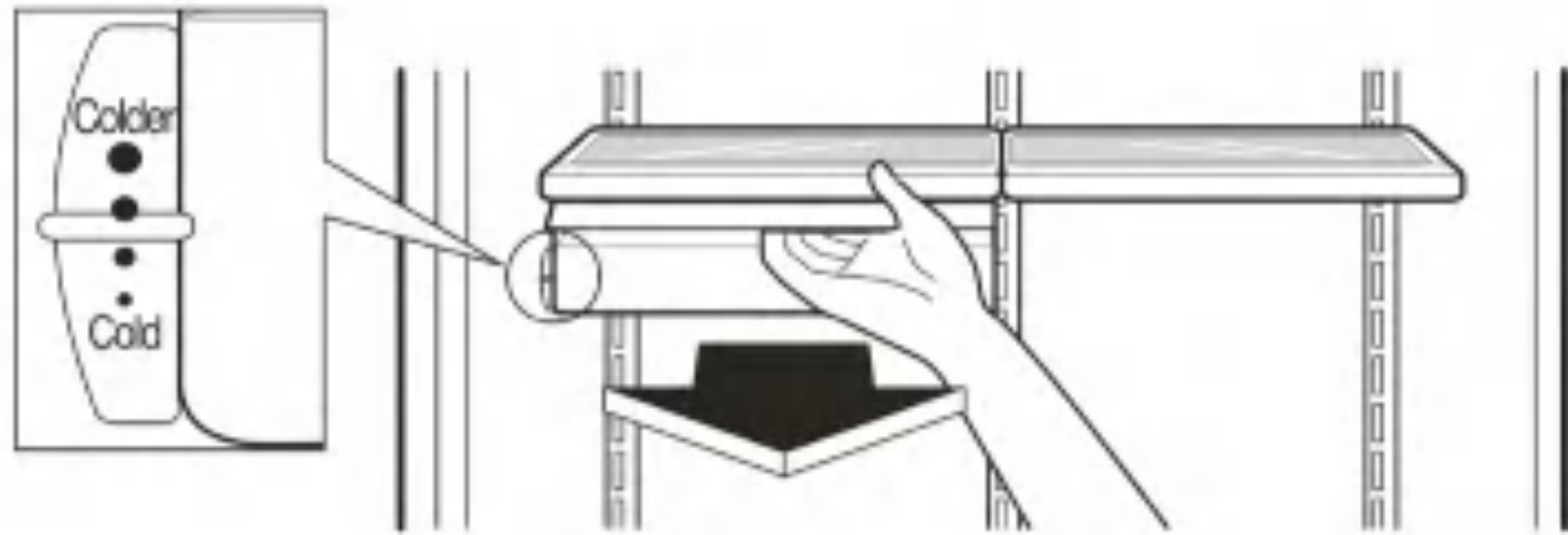
### Slide-Under Shelf (on some models)

- **Slide-Under Shelf:** You can store taller items such as a gallon container or bottles by simply pushing in front half of shelf underneath back half of shelf. Pull toward you to return to a full shelf.





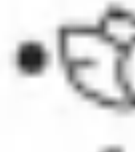

## CHEF FRESH (on some models) / SNACK PAN

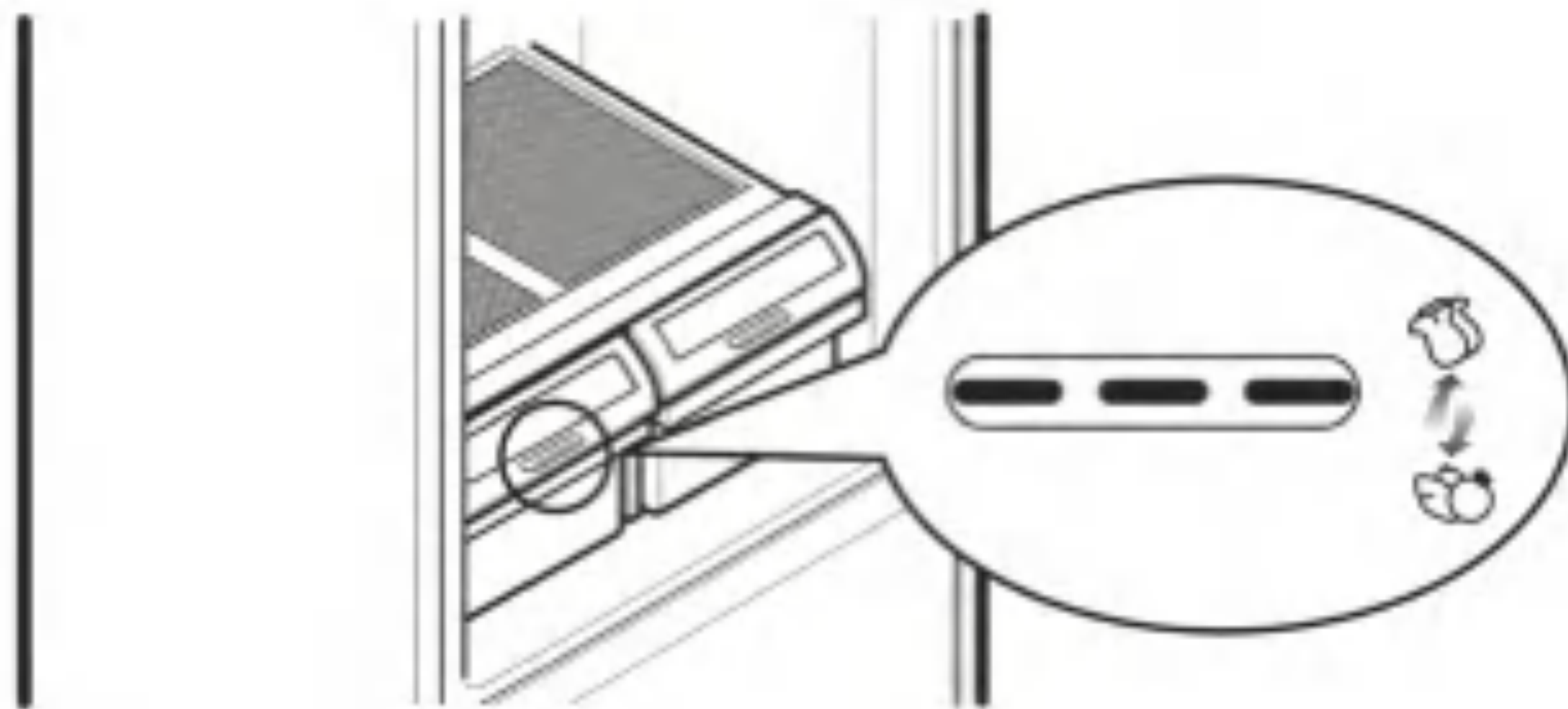
While holding the tray with one hand, pull it forward slightly. Lift slightly and pull it out. Chef Fresh on some models provide temperature control.



## CRISPER HUMIDITY CONTROL

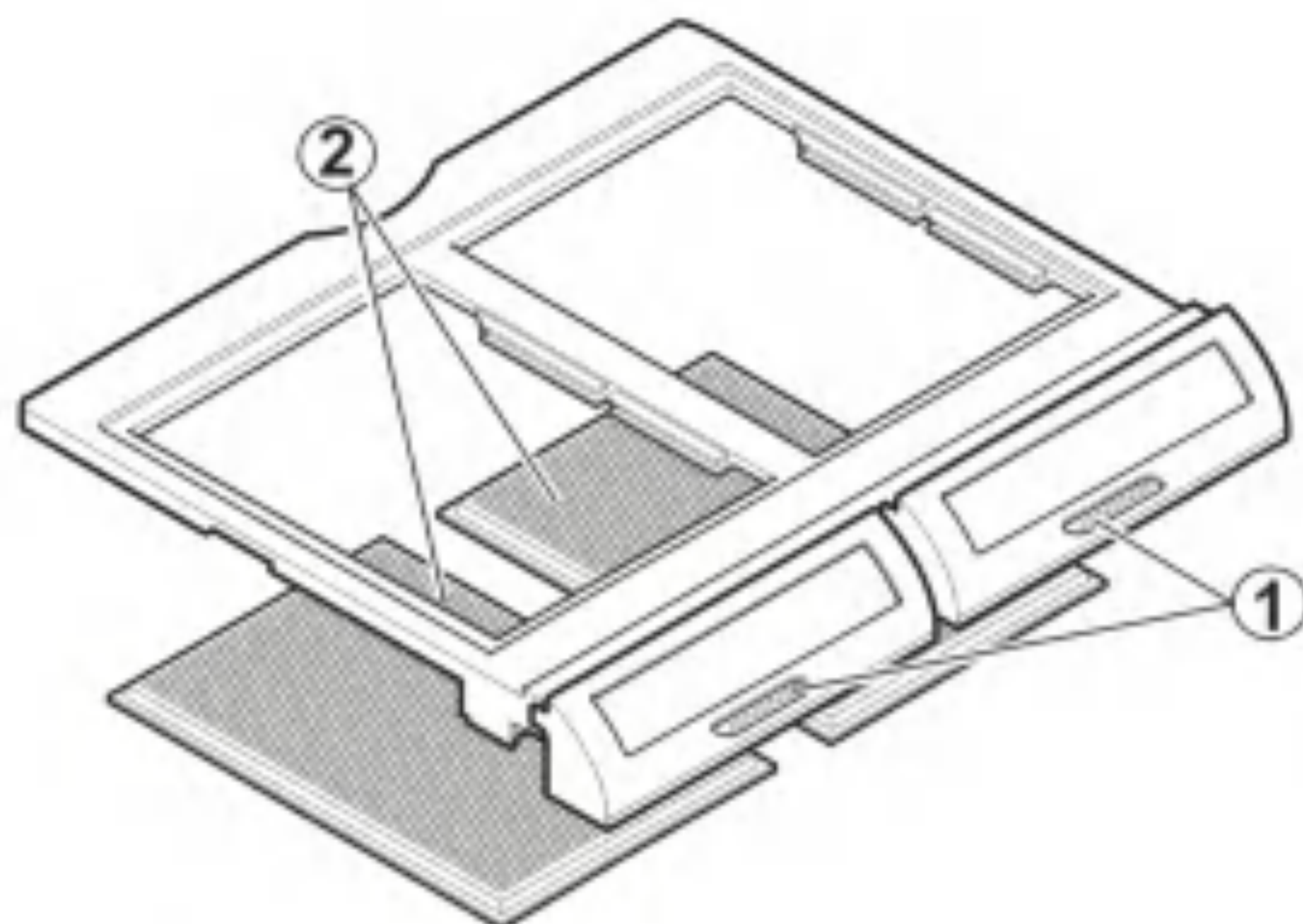
You can control the amount of humidity in the moisture-sealed crispers. Adjust the control to any setting between  and .

-  lets moist air out of the crisper for best storage of fruits.
-  keeps moist air in the crisper for best storage of fresh, leafy vegetables.

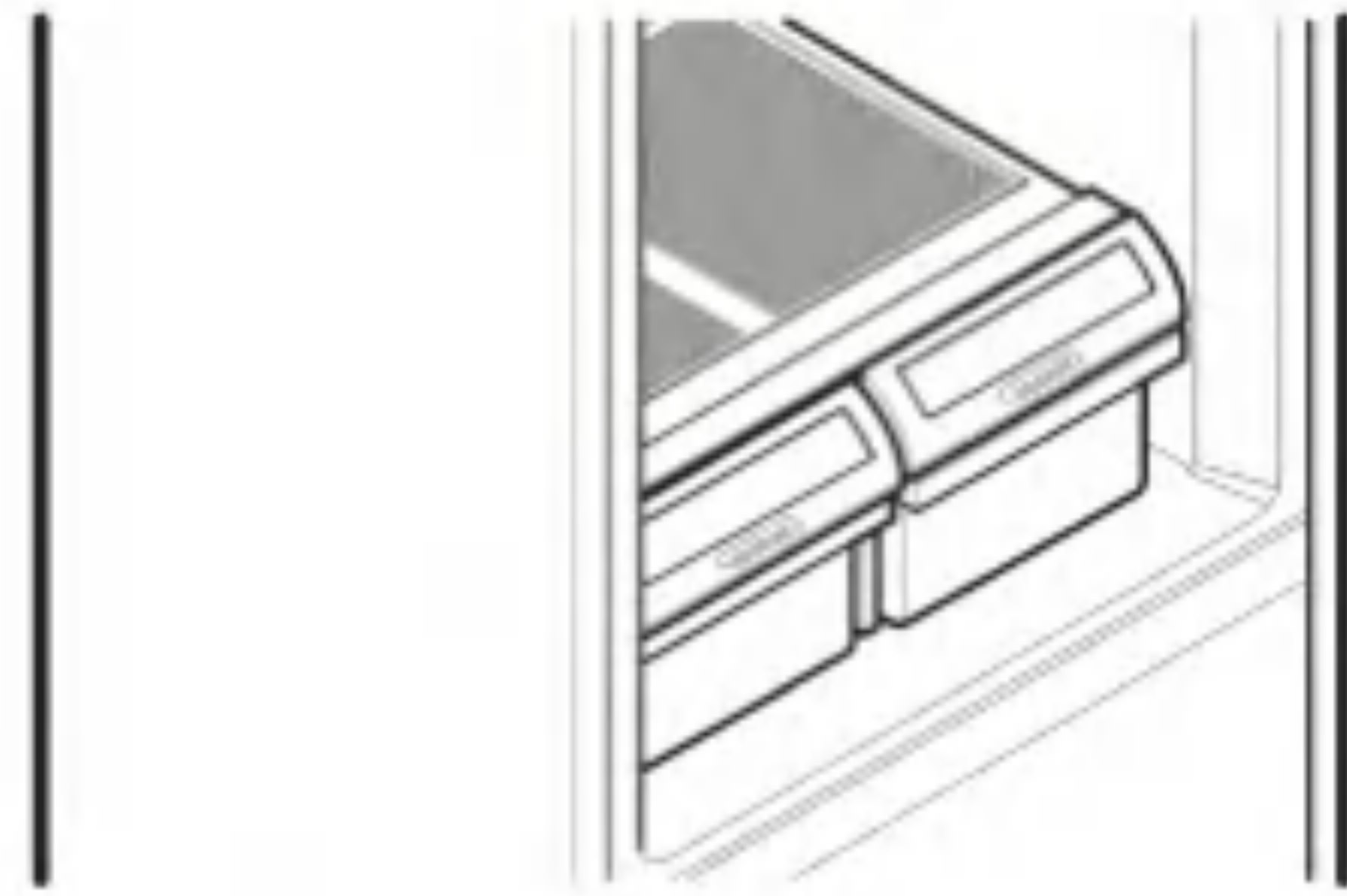


## OPTIBINCRISPER

The OptiBin Crisper provide fresher-tasting fruit and vegetables by letting you easily control humidity inside the crisper. The OptiBin Crisper include: 1) a humidity control knob at the front of the crisper cover and 2) a large lattice on the inner surface of the cover to hold or release moisture.

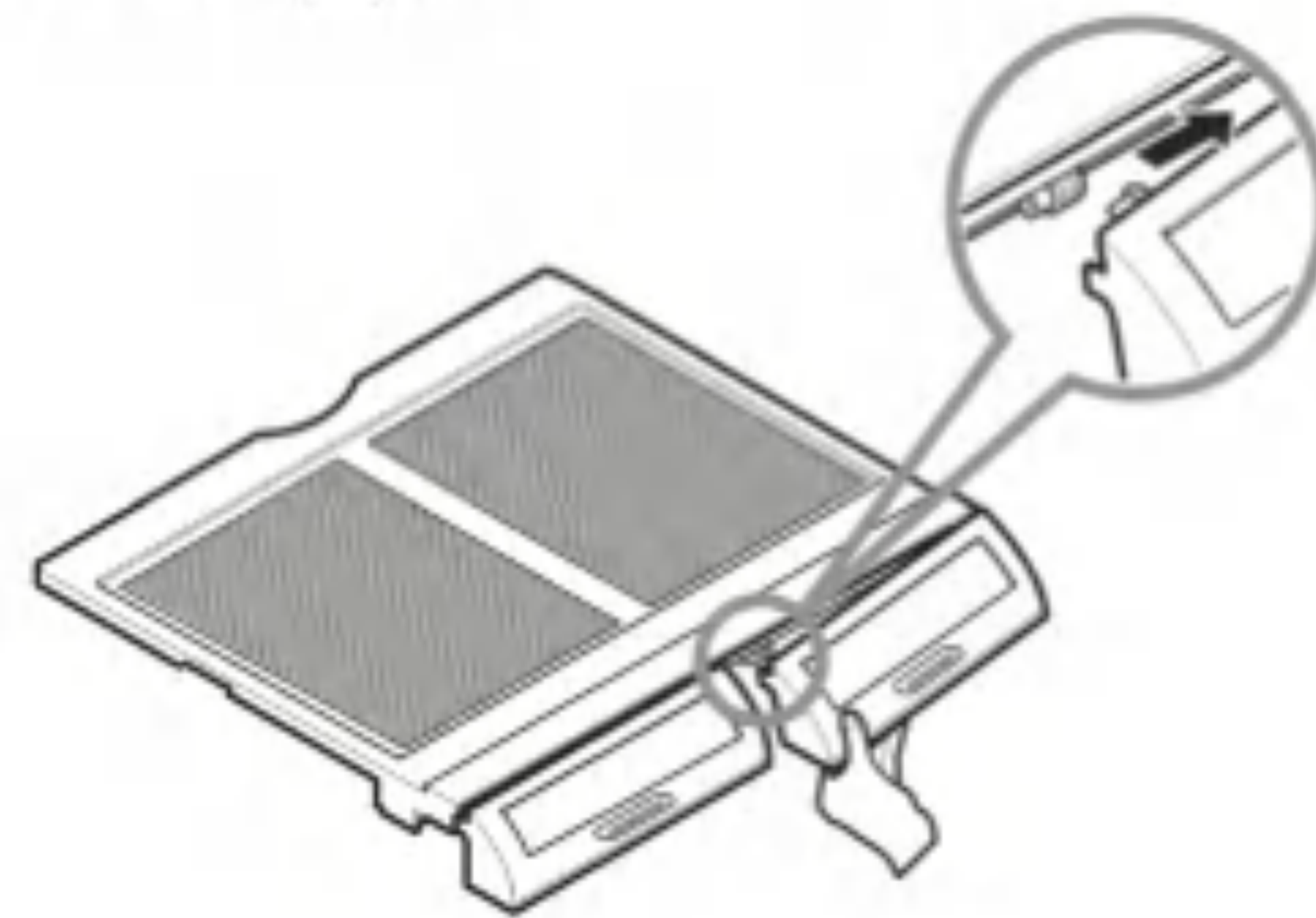


You can store small vegetables or fruits requiring more or less humidity in a separate drawer.



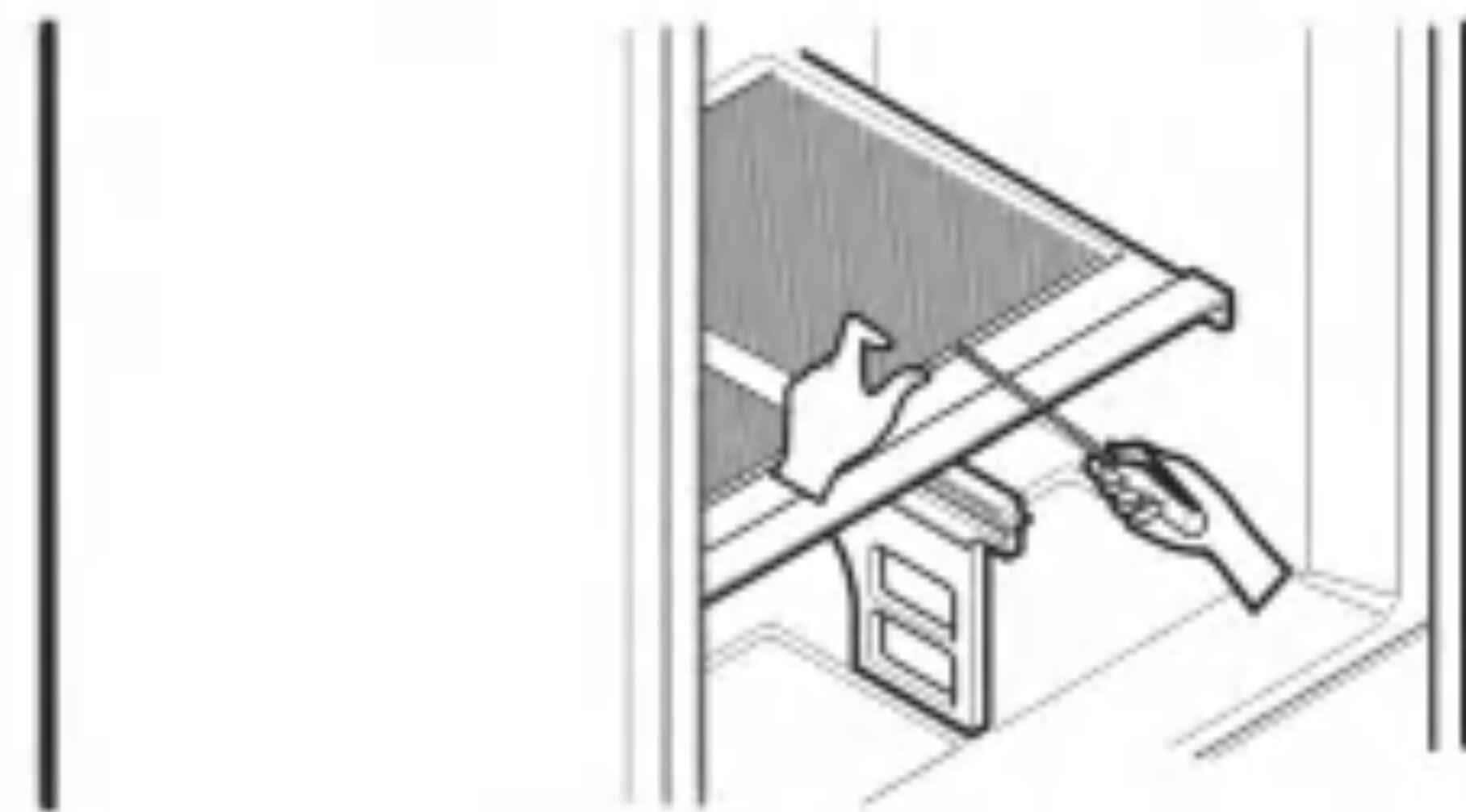
### To remove the OptiBin Crisper:

1. Grasp side wall with one hand and push to sideward.
2. Grasp flap door with another hand and pull out until flap door is disengaged.



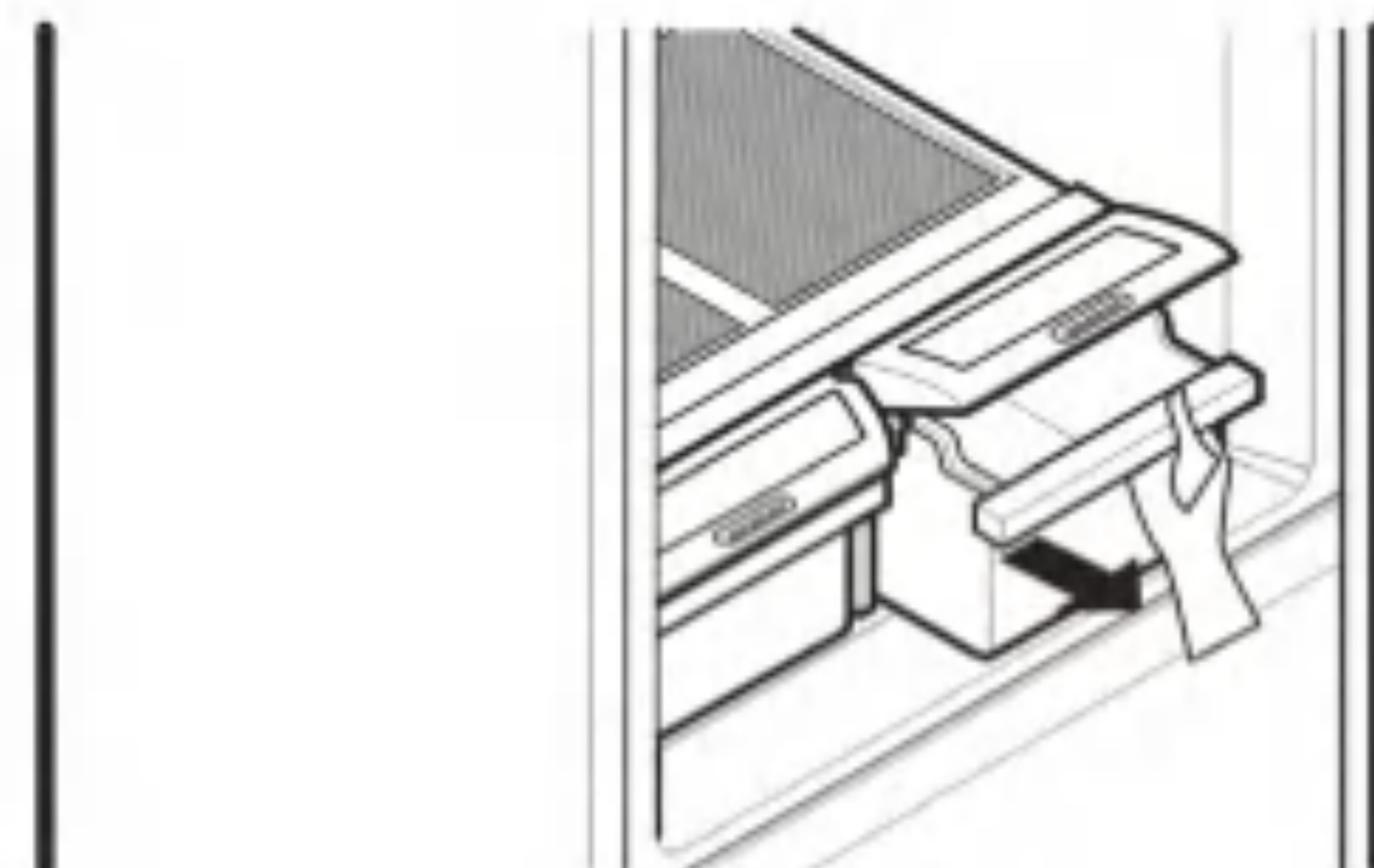
### To remove the glass:

1. Lift up the glass after inserting a screwdriver under the crisper cover.
2. Pull up and out.



### To remove the crisper:

1. Slide crisper straight out until it stops.
2. Lift front of crisper, then pull out to remove.
3. **Replace crisper** by sliding it back.

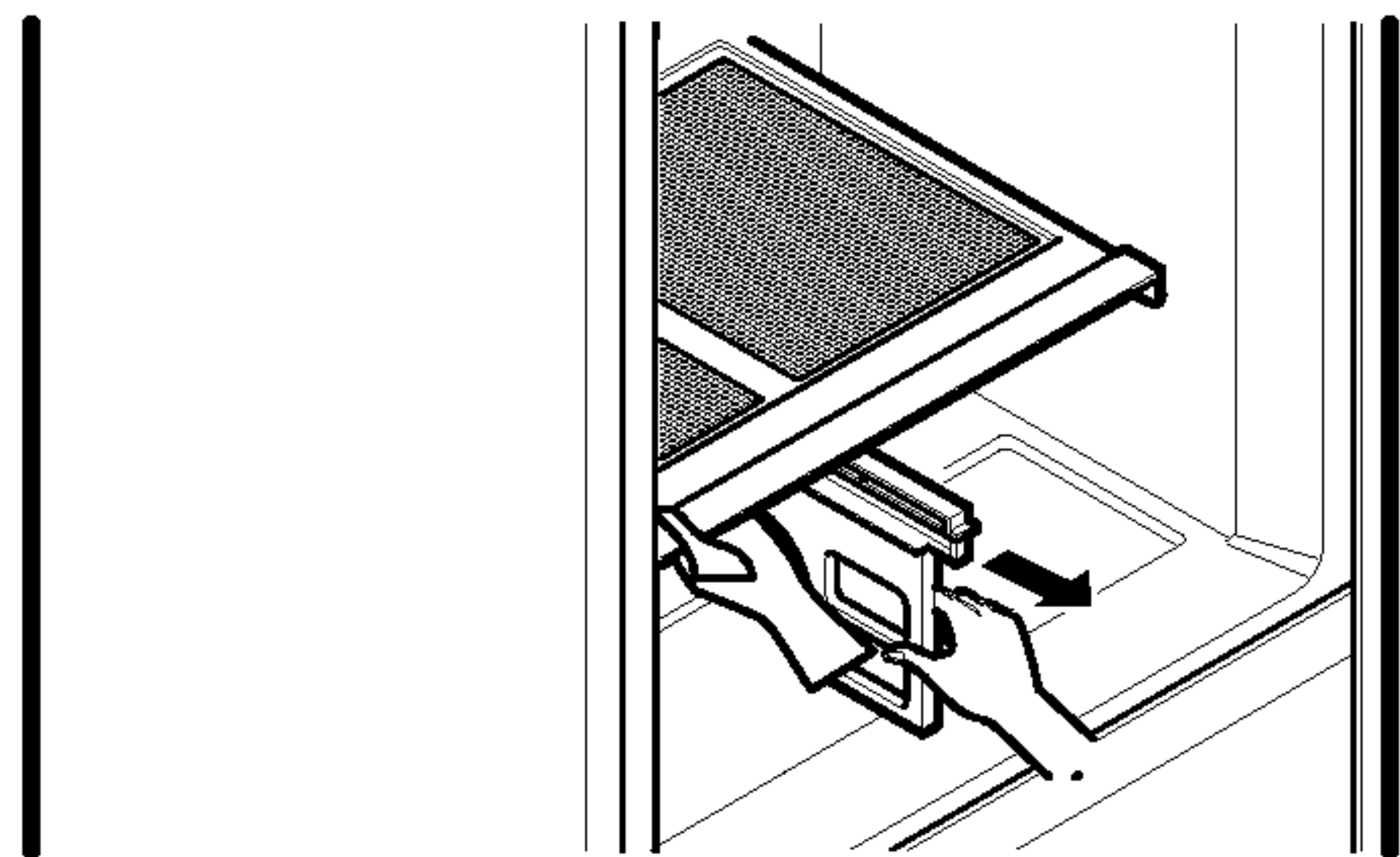


# USING YOUR REFRIGERATOR

## CRISPER COVER WITH LATTICE ON INNER SURFACE

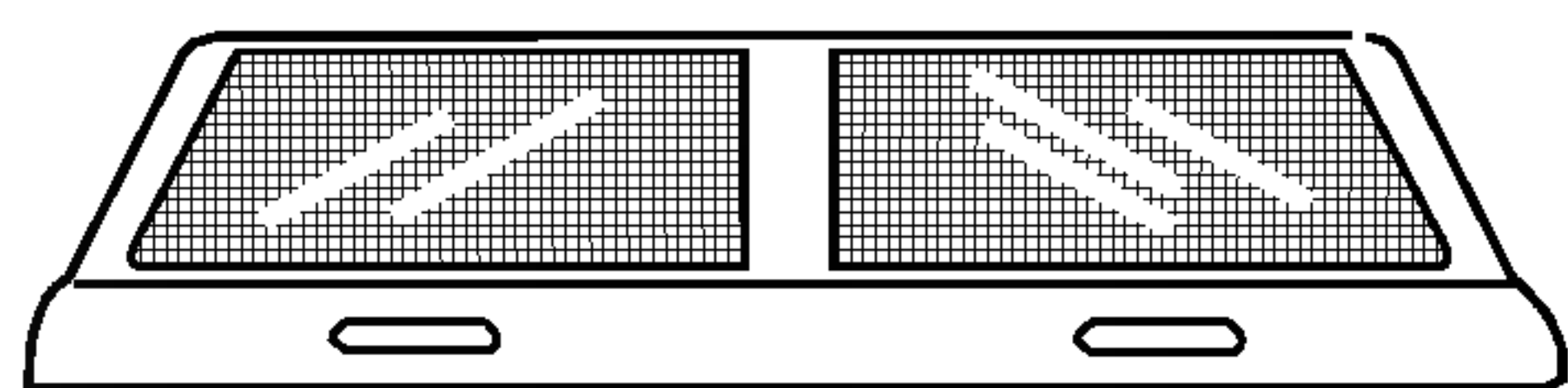
To remove the crisper cover:

1. Remove both crisper drawers.
2. While holding the crisper cover support (2), pull the cover up and out (1).

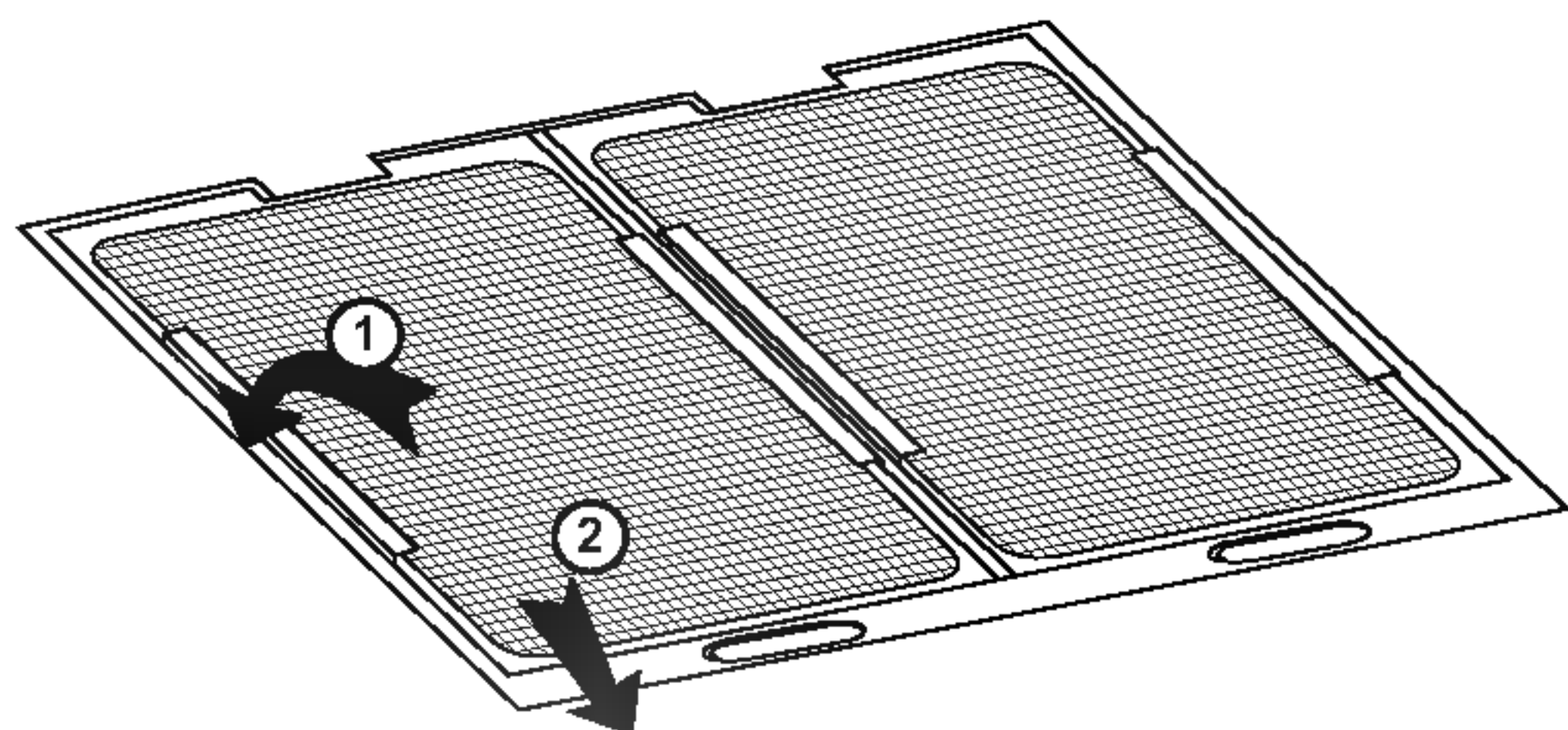


**WARNING:** Be careful when handling glass cover since glass is not attached to cover

To remove lattice on inner surface

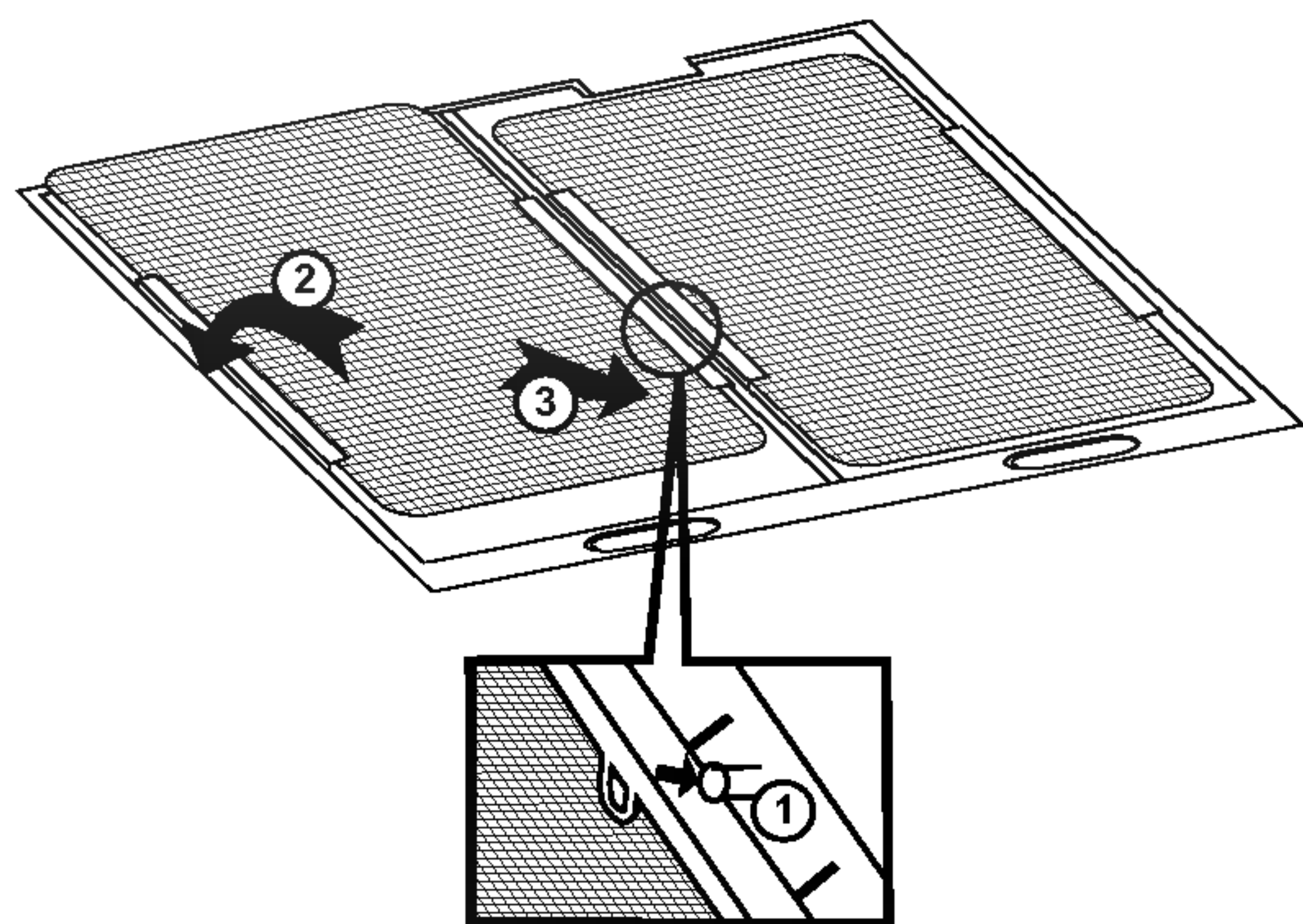


1. Remove crisper cover (as illustrated above)
2. Hold the glass cover and overturn crisper cover
3. For each lattice hold lattice and pull sides of the cover outward to remove lattice.



To replace lattice on inner surface,:

1. For each lattice insert middle tab in 1 (closest to glass cover) and pull sides of the cover to insert lattice.



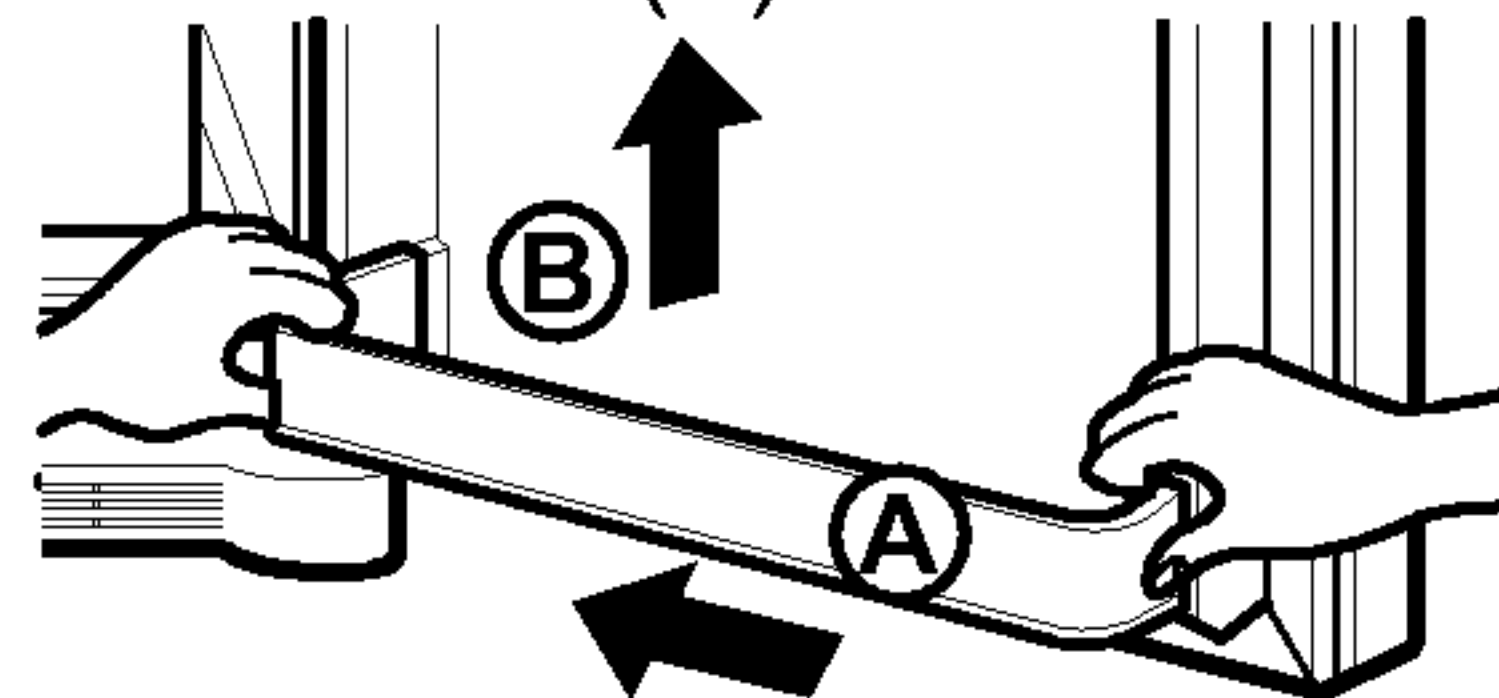
## DOOR BINS

The door racks may be removed for easier cleaning.

### Snap-On Door Bins

To remove the bins:

1. Remove all items in the door bins.
2. Push the rack away from the inside wall of the door (A) and lift up the door bin (B).

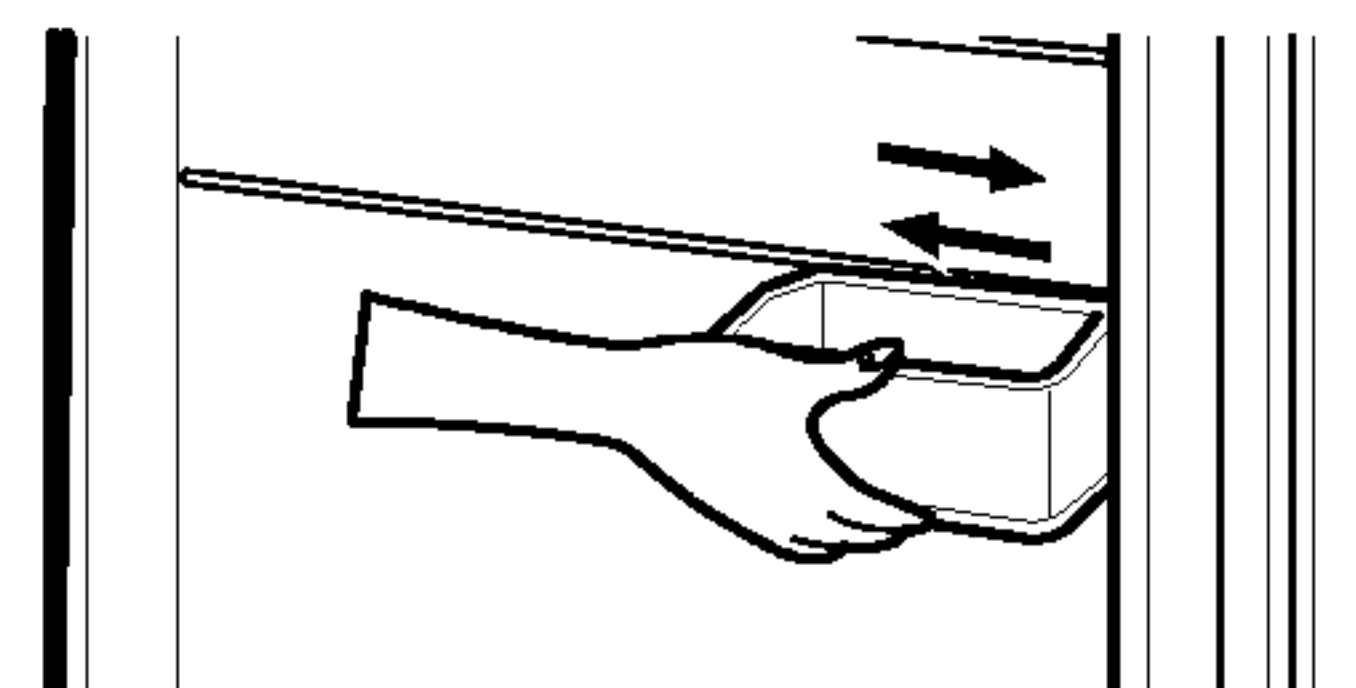


To replace the racks:

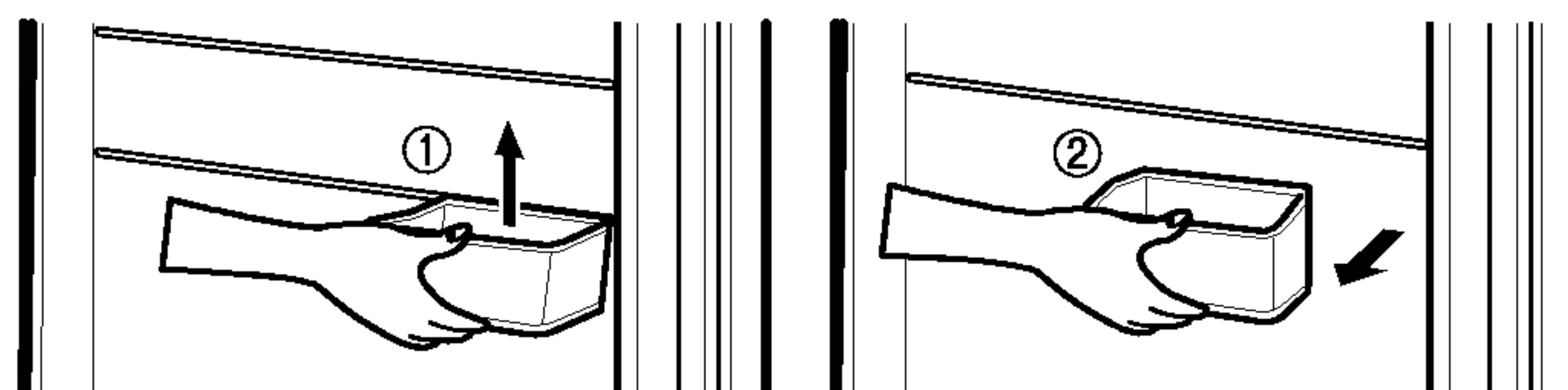
1. Hold either end of the door bin against the inside wall of the door.
2. Push down the door bin end until it locks in place.

### DESIGN-A-DOOR

1. Design-A-Door bin can be moved side to side by sliding right or left.



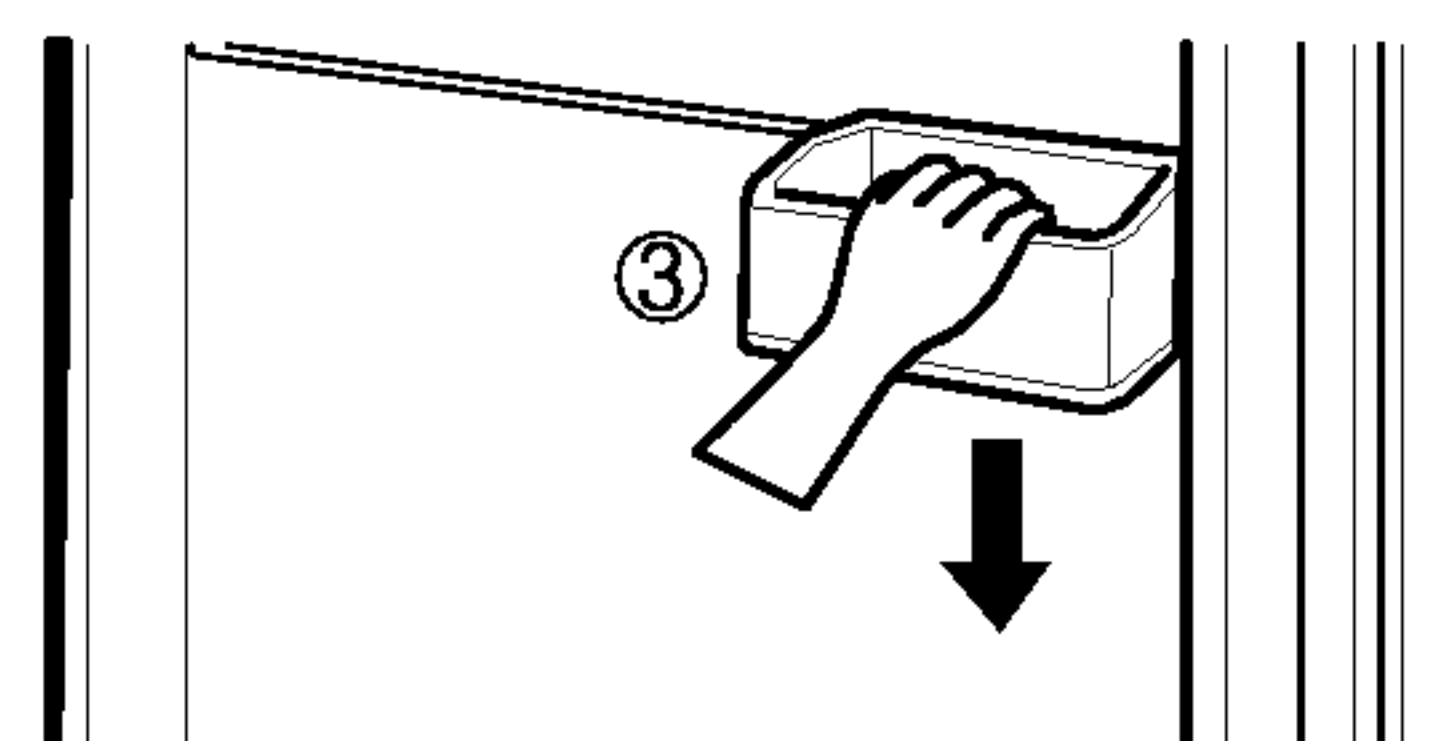
2. To remove the Design-A-Door bin, lift up from the bottom of the bin unclicks and pull straight out.



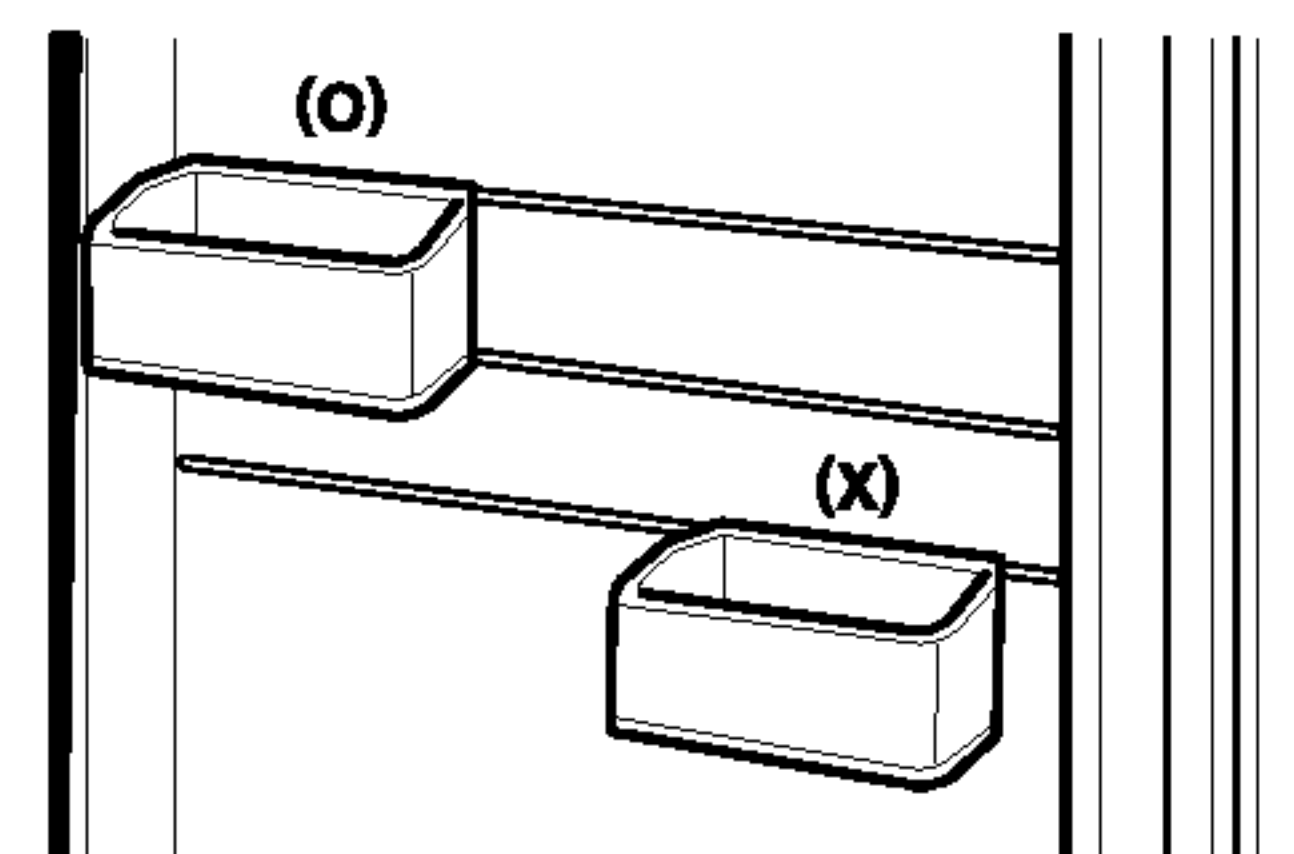
**WARNING:** Be sure that the design-A-Door bins have clicked into place. Otherwise, the bins may fall.

**NOTE:** Do not adjust a bin that is loaded with food.

3. To replace the bin, slide it in above the desired support slot and firmly push down until it locks in place.



4. Make sure that if all bins are correctly assembled so that they don't fall out of door.

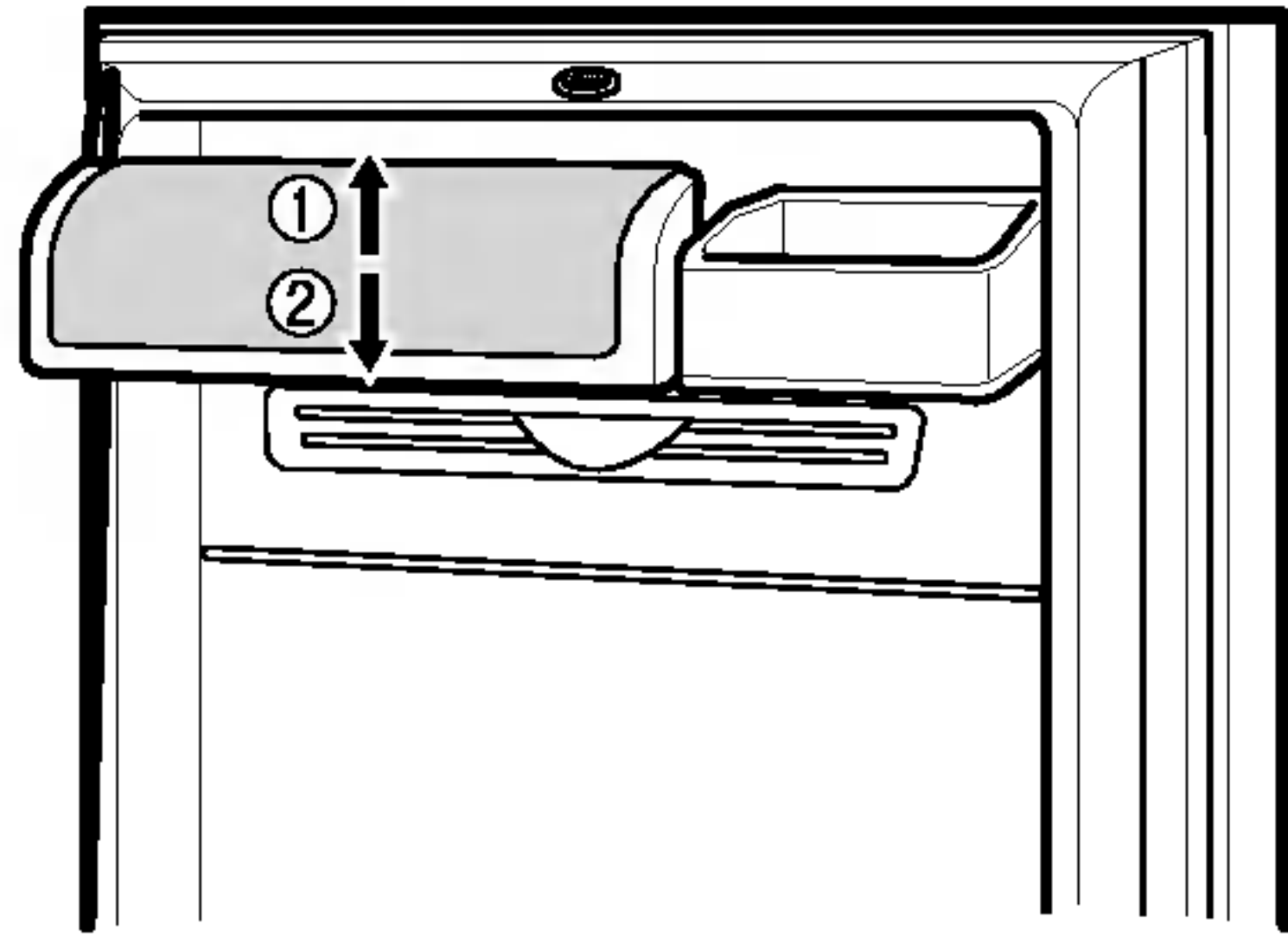


**Warning:** Somebody can be hurt if Design-A-Door bins are not firmly assembled.

**NOTE:** Do not adjust a bin that is loaded with food.

## DAIRYBIN

1. To remove the dairy bin, Simply lift it and pull straight out.
2. To replace the dairy bin, slide it in above the desired support slot and firmly push down until it locks in place.

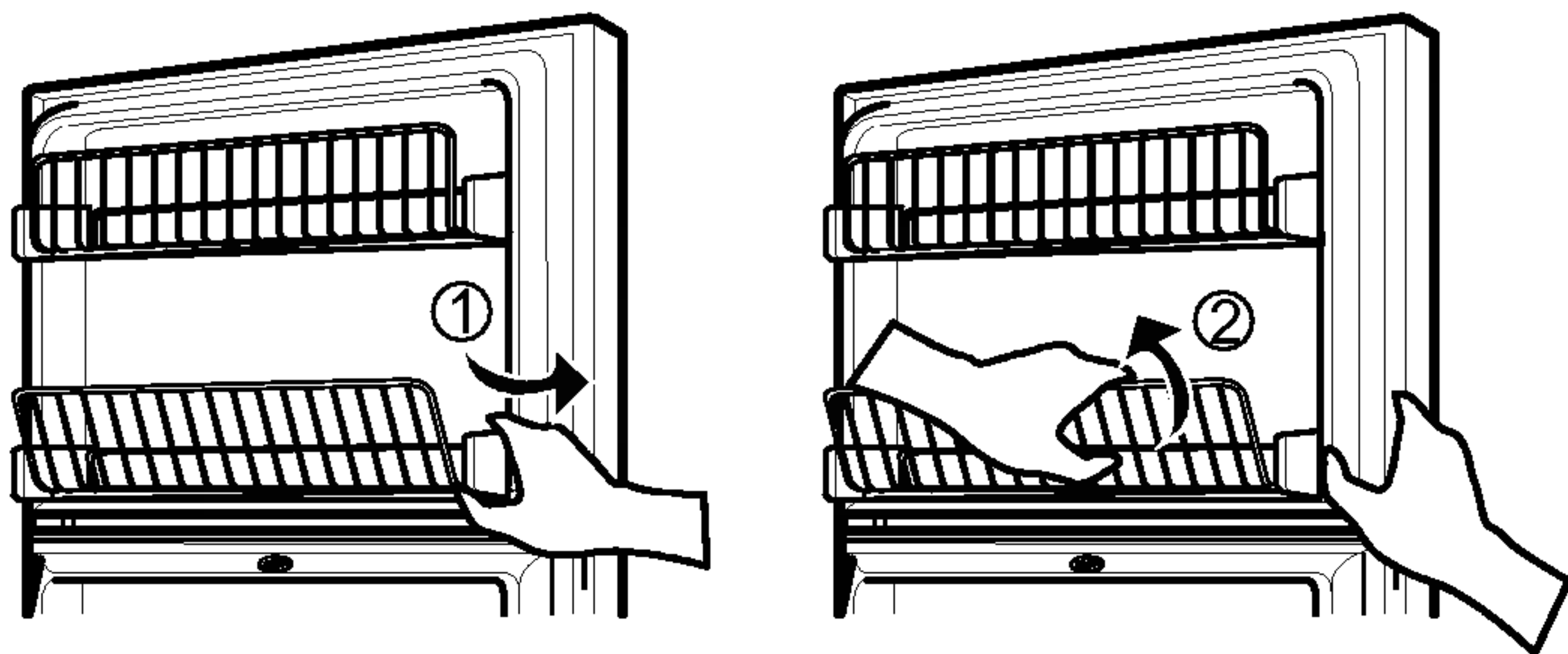


## FREEZER DOOR BIN

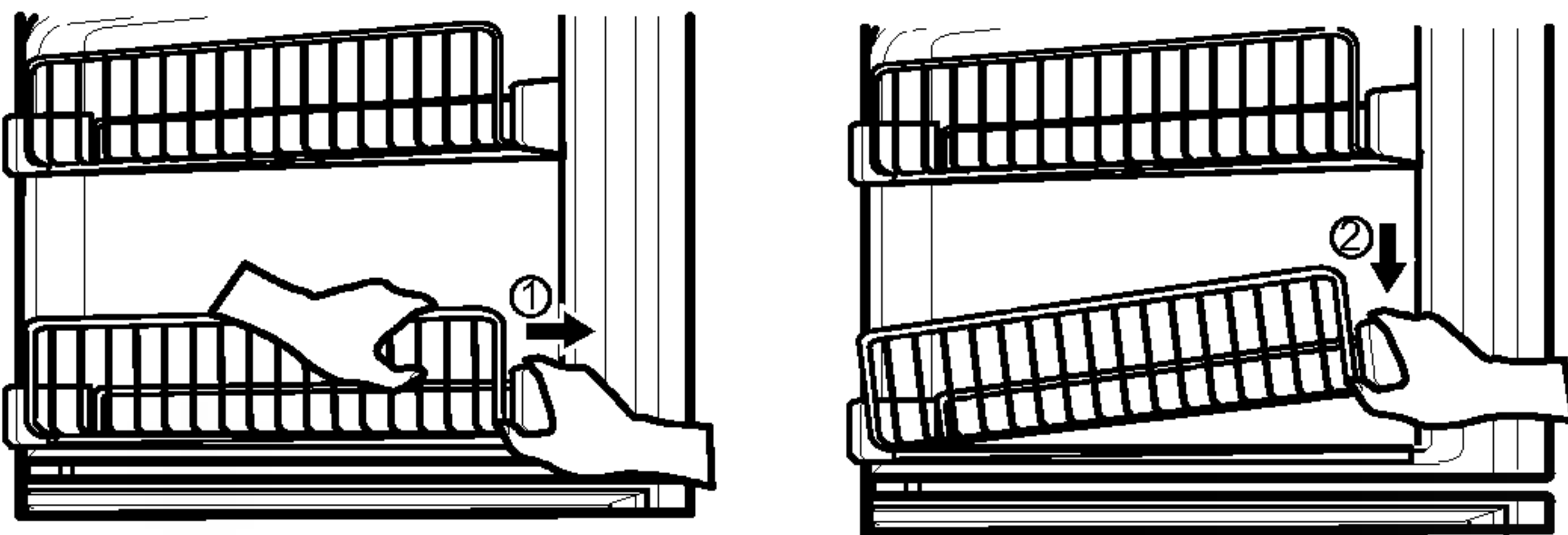
### Freezer Door Bin (2 baskets on some models):

You can remove foods easily by tilting out the wire basket in the freezer compartment.

1. To remove the Freezer Door Bin (1), pull the bracket outward until you hear a clicking sound; then remove the wire rack (2).

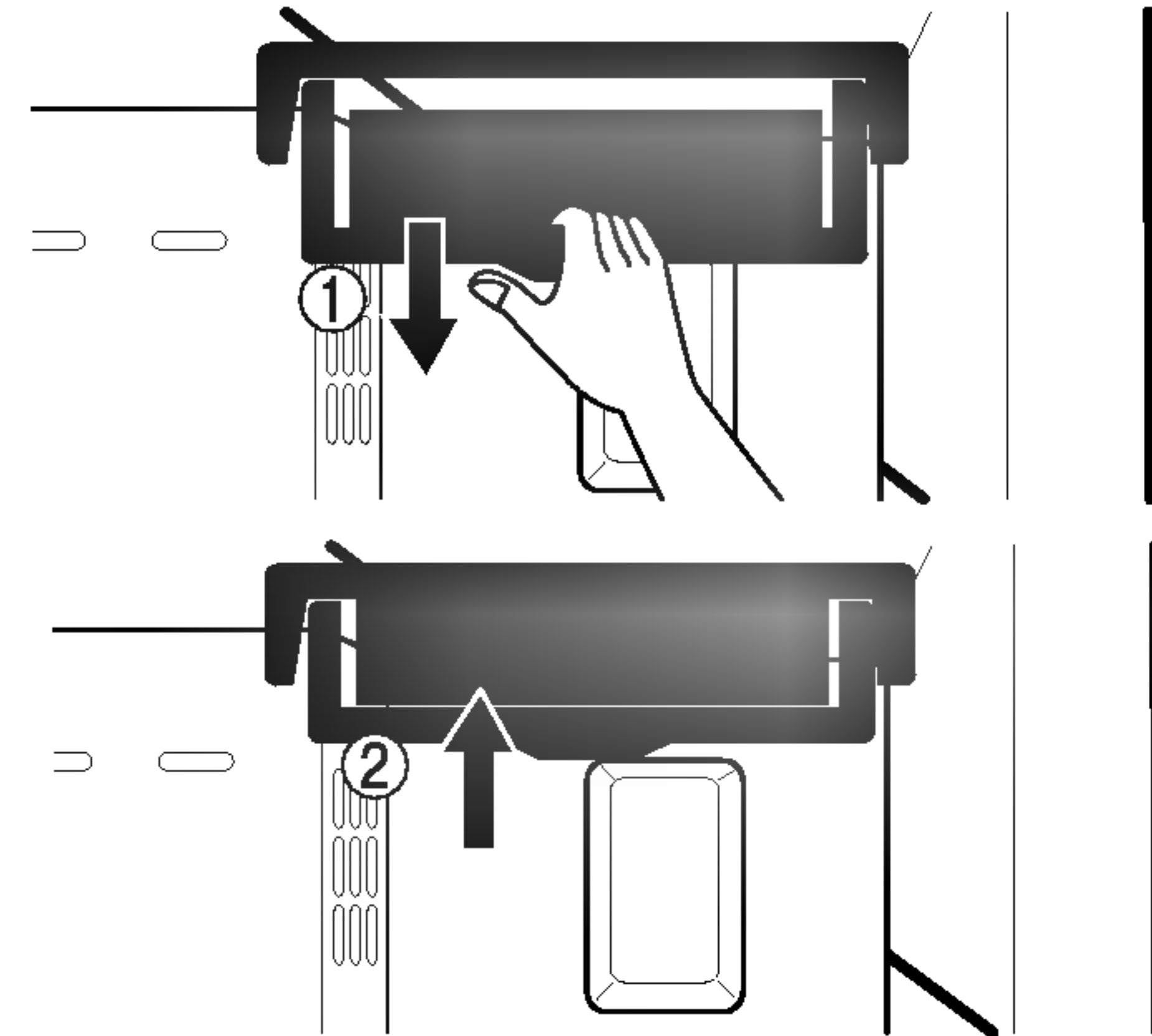


2. To replace the Freezer Door Bin, hook the end of the Door Bin in the bracket (1), then push down until the Door Bin locks into place (2).



## PIZZA NOOK (on some models)

Pull pizza nook down to store pizza boxes. This feature lets you free up more space in the freezer compartment for other items.

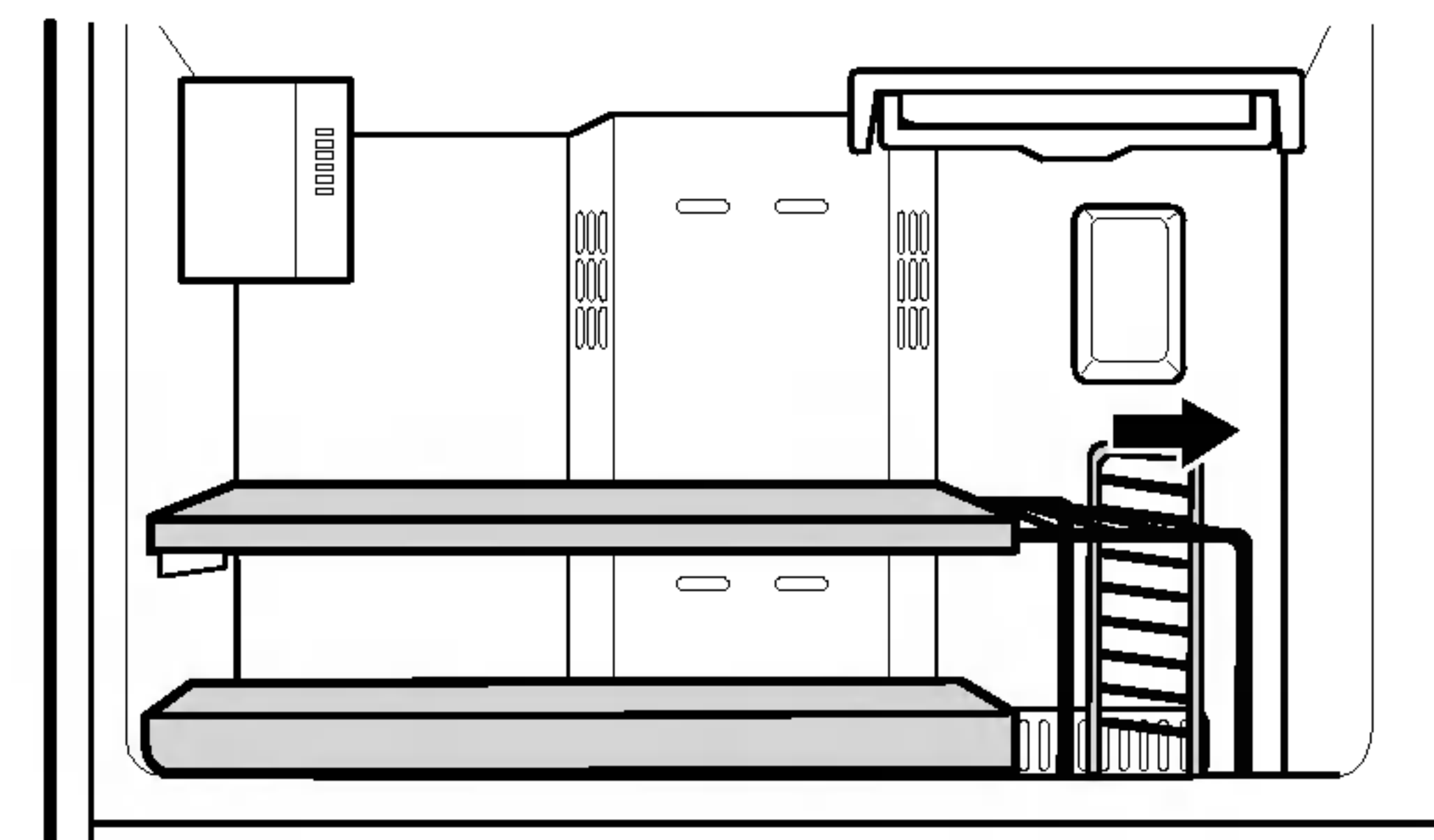


## CUSTOMFIT

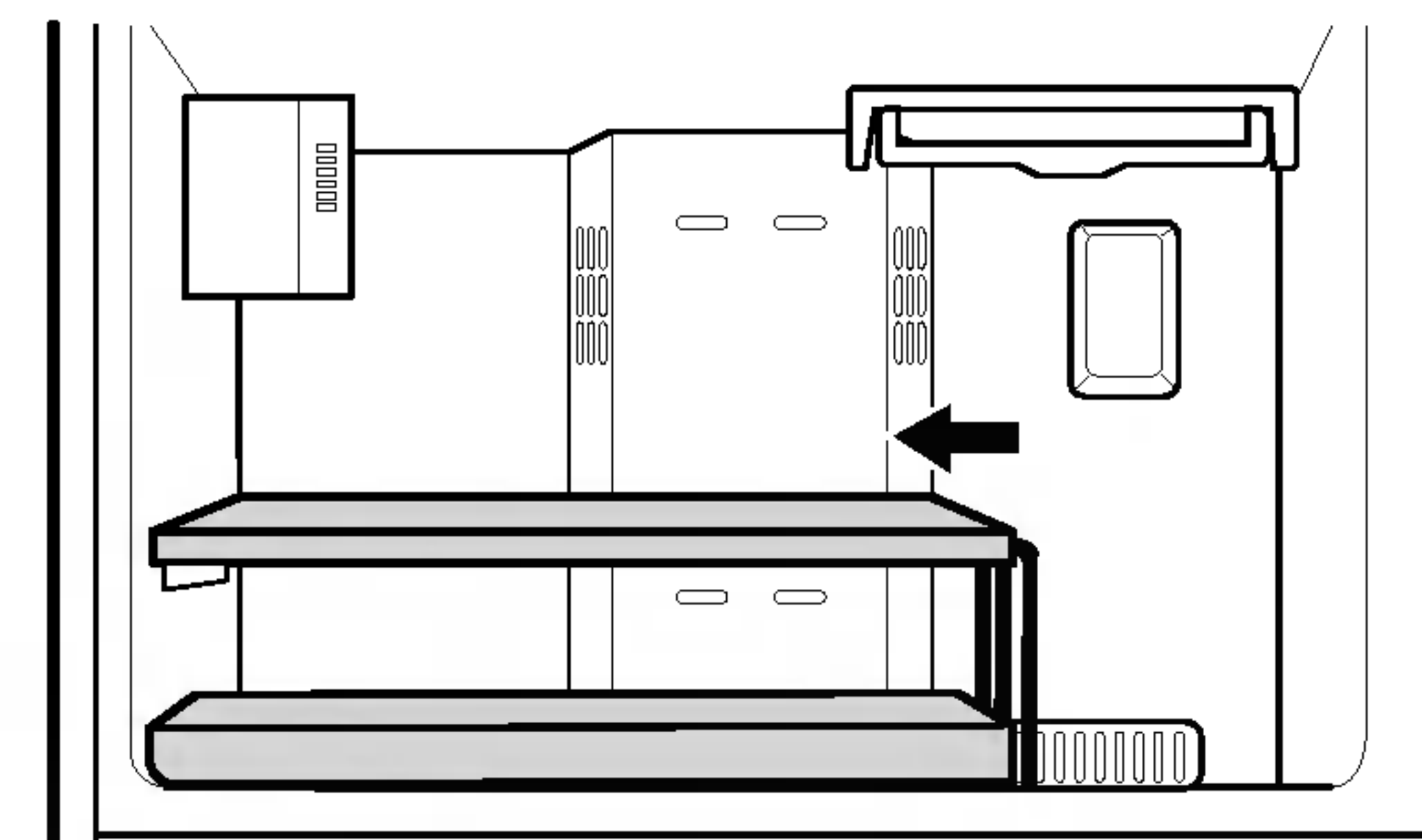
Adjust the divider to either side as desired.

**NOTE:** To adjust divider, lift slightly and move.

1. To extend the CustomFit, pull straight out and up.

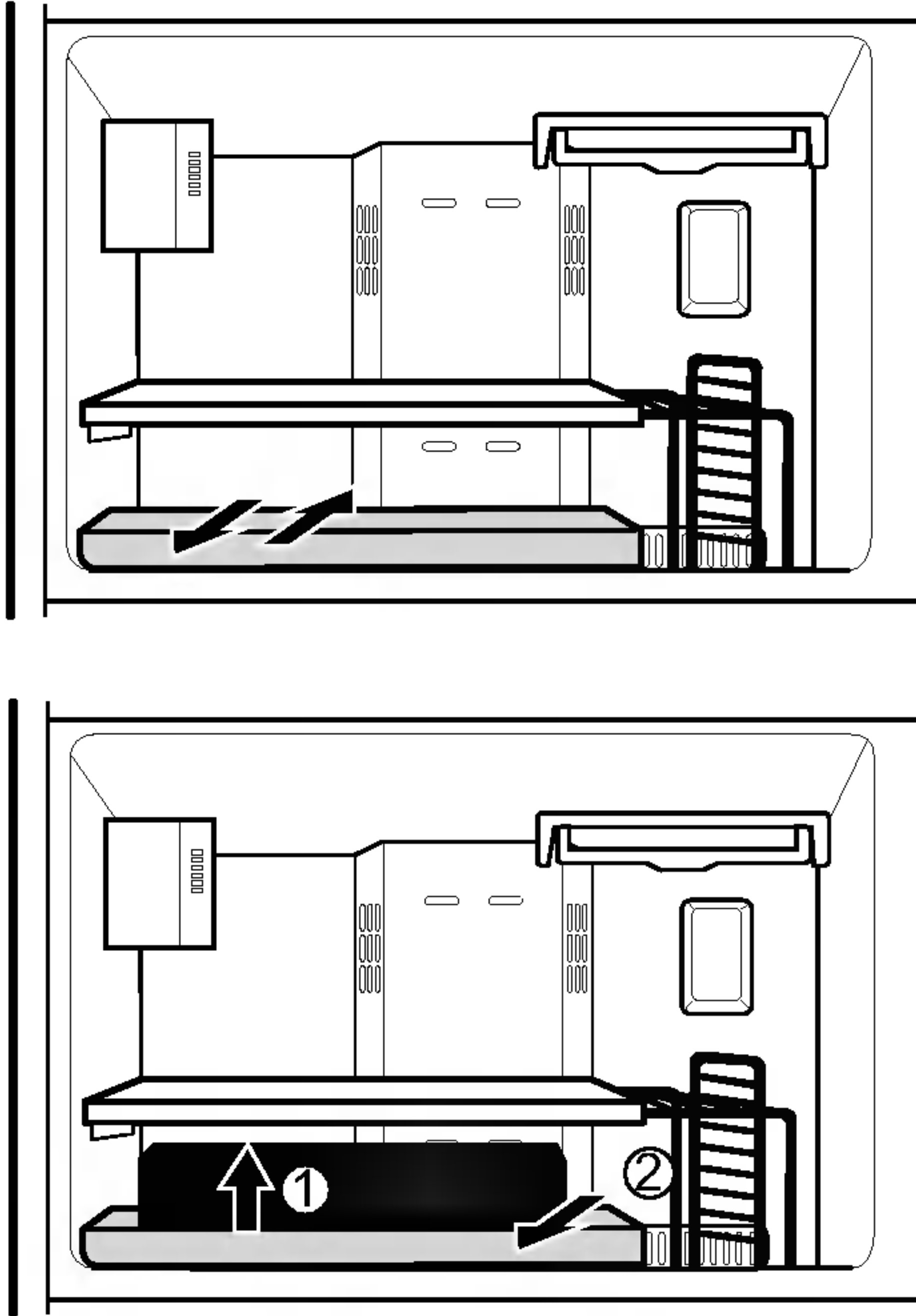


2. To push back the CustomFit, push down and in.



## FLEXI-FLOOR TRAY (on some models)

The Flexi-Floor tray is a slide-out tray which allows easy access to the foods at the rear of the compartment.

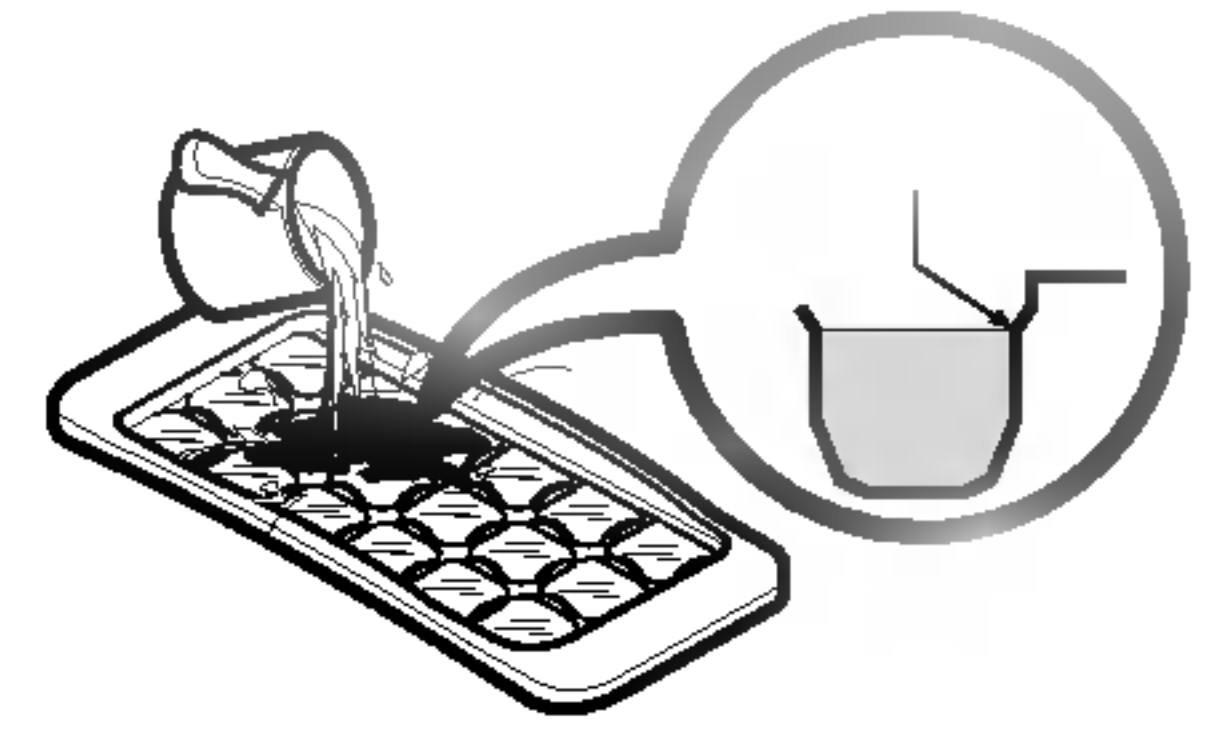


1. To remove the Flexi-Floor tray, lift slightly (1) and pull out towards you (2).
2. To replace the Flexi-Floor tray, push in toward refrigerator.

## ICE TRAY (on some models)

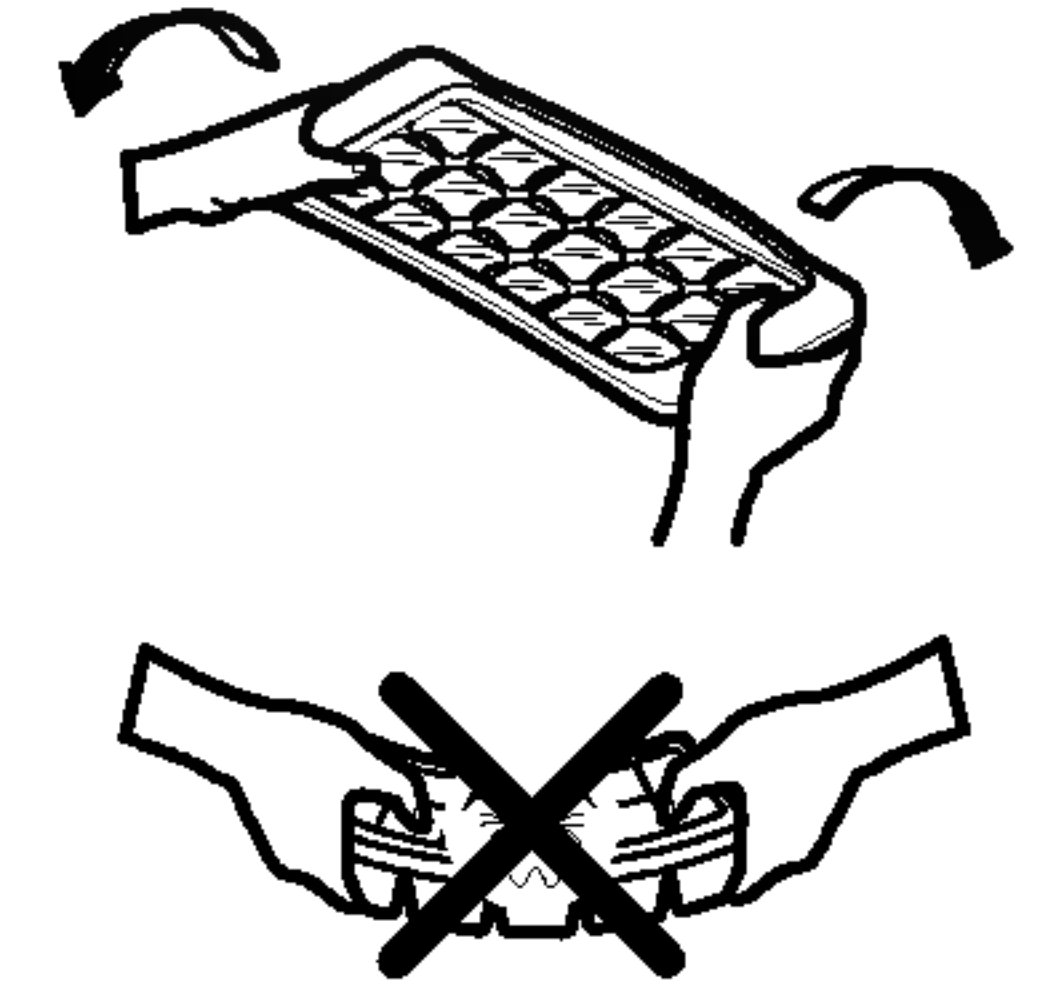
### Icemaking

- If the tray is filled with water to the highest level, it will be difficult to remove ice cubes.



To remove ice cubes, twist the tray.

- Do not bend the ice tray. Doing so may result in damage to the tray.





### Explosion Hazard

Use non-flammable cleaner.

Failure to do so can result in death, explosion or fire.

Both the refrigerator and freezer sections defrost automatically. However, clean both sections about once a month to prevent odors. Wipe up spills immediately.

## GENERAL CLEANING TIPS

- Unplug refrigerator or disconnect power.
- Remove all removable parts, such as shelves, crispers, etc.
- Use a clean sponge or soft cloth and a mild detergent in warm water. Do not use abrasive or harsh cleaners.
- Hand wash, rinse and dry all surfaces thoroughly.
- Plug in refrigerator or reconnect power.

## OUTSIDE

Waxing external painted metal surfaces helps provide rust protection. Do not wax plastic parts. Wax painted metal surfaces at least twice a year using appliance wax (or auto paste wax). Apply wax with a clean, soft cloth.

For products with a stainless steel exterior, use a clean sponge or soft cloth and a mild detergent in warm water. Do not use abrasive or harsh cleaners. Dry thoroughly with a soft cloth.

## INSIDE WALLS (allow freezer to warm up so cloth won't stick)

To help remove odors, you can wash the inside of the refrigerator with a mixture of baking soda and warm water. Mix 2 tablespoons baking soda to 1 quart of water (26 g soda to 1 liter water.) Be sure the baking soda is completely dissolved so does it not scratch the surfaces of the refrigerator.

## DOOR LINERS AND GASKETS

Do not use cleaning waxes, concentrated detergents, bleaches or cleaners containing petroleum on plastic parts.

## PLASTIC PARTS (covers and panels)

Do not use paper towels, window sprays, abrasive cleansers or flammable fluids. These can scratch or damage the material.

## CONDENSER COILS

Remove base grille. (See the base grille section on page 11.)

Use a vacuum cleaner with an extended attachment to clean condenser coils.

Vacuum coils when dusty or dirty. Coils may need to be cleaned as often as every other month.

Replace base grille.

## LIGHT BULB REPLACEMENT



### Electrical Shock Hazard

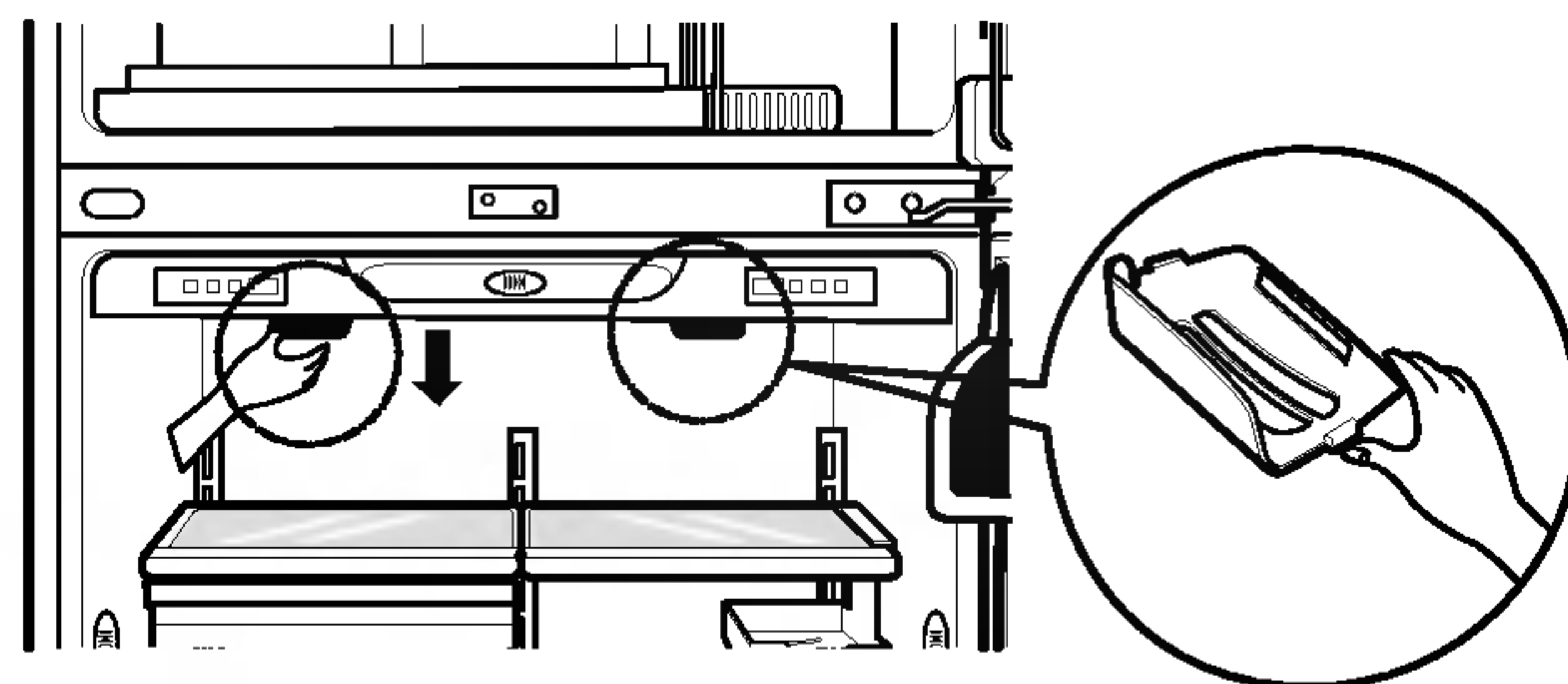
Before replacing a burned-out light bulb, either unplug the refrigerator or turn off power at the circuit breaker or fuse box.

**NOTE:** Moving the control to the OFF position does not remove power to the light circuit.

**NOTE:** Not all appliance bulbs will fit your refrigerator. Be sure to replace the bulb with one of the same size, shape and wattage.

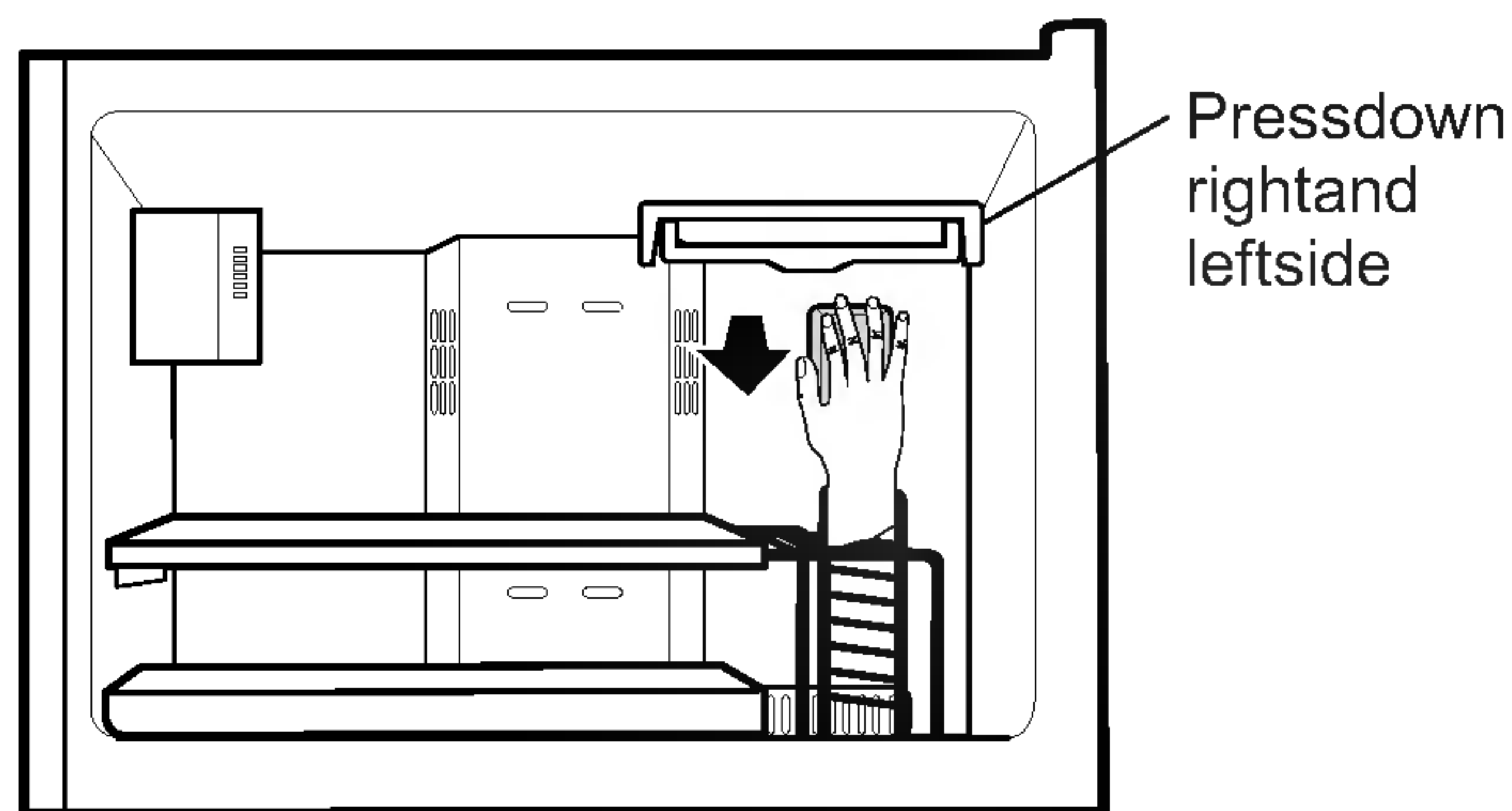
### To change the refrigerator light:

1. Unplug the power cord from the outlet.
2. Remove refrigerator shelves.
3. Hold cover and press front tab while pulling shield down to remove it.
4. Turn the bulb counterclockwise and remove.
5. Replace a burned-out light bulb with a new bulb, turning it clockwise.
6. Replace the light shield pushing it up.
7. Replace the refrigerator shelves.
8. Plug the power cord to the outlet.



### To change the freezer light:

1. Unplug refrigerator or disconnect power.
2. Remove the light shield and remove bulb.
3. Replace with a 40 watt appliance bulb and replace light shield.
4. Plug in refrigerator or reconnect power.



### POWER INTERRUPTIONS

If the electricity in your house goes off, call the power company and ask how long it will be off.

1. If the power will be out for 24 hours or less, keep both refrigerator doors closed to help foods stay cold and frozen.
2. If the power will be out for more than 24 hours:
  - a) Remove all frozen food and store it in a frozen food locker.

#### OR

- b) Place 2 lbs (ca. 1kg) of dry ice in the freezer for every cubic foot (28 L) of freezer space. This will keep the food frozen for two to four days. While handling dry ice, wear gloves to protect your hands from ice burns.

#### OR

- c) If neither a food locker nor dry ice is available, consume or dispose of food at once.

**REMEMBER:** In a power failure, a full freezer stays cold longer than a partially filled one. A freezer full of meat stays cold longer than a freezer full of baked goods. If you see that food contains ice crystals, it may be safely refrozen, although the quality and flavor may be affected. If the condition of the food is poor, or if you feel it is unsafe, dispose of it.

### WHEN YOU GO ON VACATION

If you choose to leave the refrigerator on while you are away, follow these steps to prepare your refrigerator before you leave.

1. Use up any perishables and freeze other items.
2. Empty the ice bin.

If you choose to turn the refrigerator off before you leave, follow these steps.

1. Remove all food from the refrigerator.
2. Depending on your model, set the thermostat control (refrigerator control) to OFF. See the "Setting the Controls" section.
3. Clean refrigerator, wipe it and dry well.
4. Tape rubber or wood blocks to the tops of both doors to prop them open far enough for air to get in. This stops odor and mold from building up.

### WHEN YOU MOVE

When you are moving your refrigerator to a new home, follow these steps to prepare it for the move.

1. Remove all food from the refrigerator and pack all frozen food in dry ice.
2. Depending on your model, turn the thermostat control (refrigerator control) to OFF. See the "Setting the Controls" section.
3. Unplug the refrigerator.
4. Empty water from the defrost pan.
5. Clean, wipe and dry thoroughly.
6. Take out all removable parts, wrap them well and tape them together so they don't shift and rattle during the move.
7. Depending on the model, raise the front of the refrigerator so it rolls more easily OR screw in the leveling legs all the way so they don't scrape the floor. See the "Door Closing" section.
8. Tape the doors shut and tape the power cord to the refrigerator cabinet.

When you get to your new home, put everything back and refer to the "Installing Your Refrigerator" section for preparation instructions.

## ABOUT THE AUTOMATIC ICEMAKER

(On some models)

### **! WARNING**

#### **Personal Injury Hazard**

Avoid contact with the moving parts of the ejector mechanism, or with the heating element that releases the cubes. **DO NOT** place fingers or hands on the automatic icemaking mechanism while the refrigerator is plugged in.

**NOTE:** As displayed by the cube size indicator lights, each push of the cube size button will cycle you through the various cube sizes from smallest to largest back to smallest.

#### **WHEN YOU SHOULD SET THE ICEMAKER POWER SWITCH TO O (OFF)**

- When the water supply will be shut off for several hours.
- When the ice storage bin is removed for more than a minute or two.
- When the refrigerator will not be used for several days.

#### **NORMAL SOUNDS YOU MAY HEAR**

- The icemaker water valve will buzz as the icemaker fills with water. If the power switch is in the **I (on)** position, it will buzz even if it has not yet been hooked up to water. To stop the buzzing, move the power switch to **O (off)**.

**NOTE:** Keeping the power switch in the **I (on)** position before the water line is connected can damage the icemaker.

- You will hear the sound of cubes dropping into the bin and water running in the pipes as the icemaker refills.

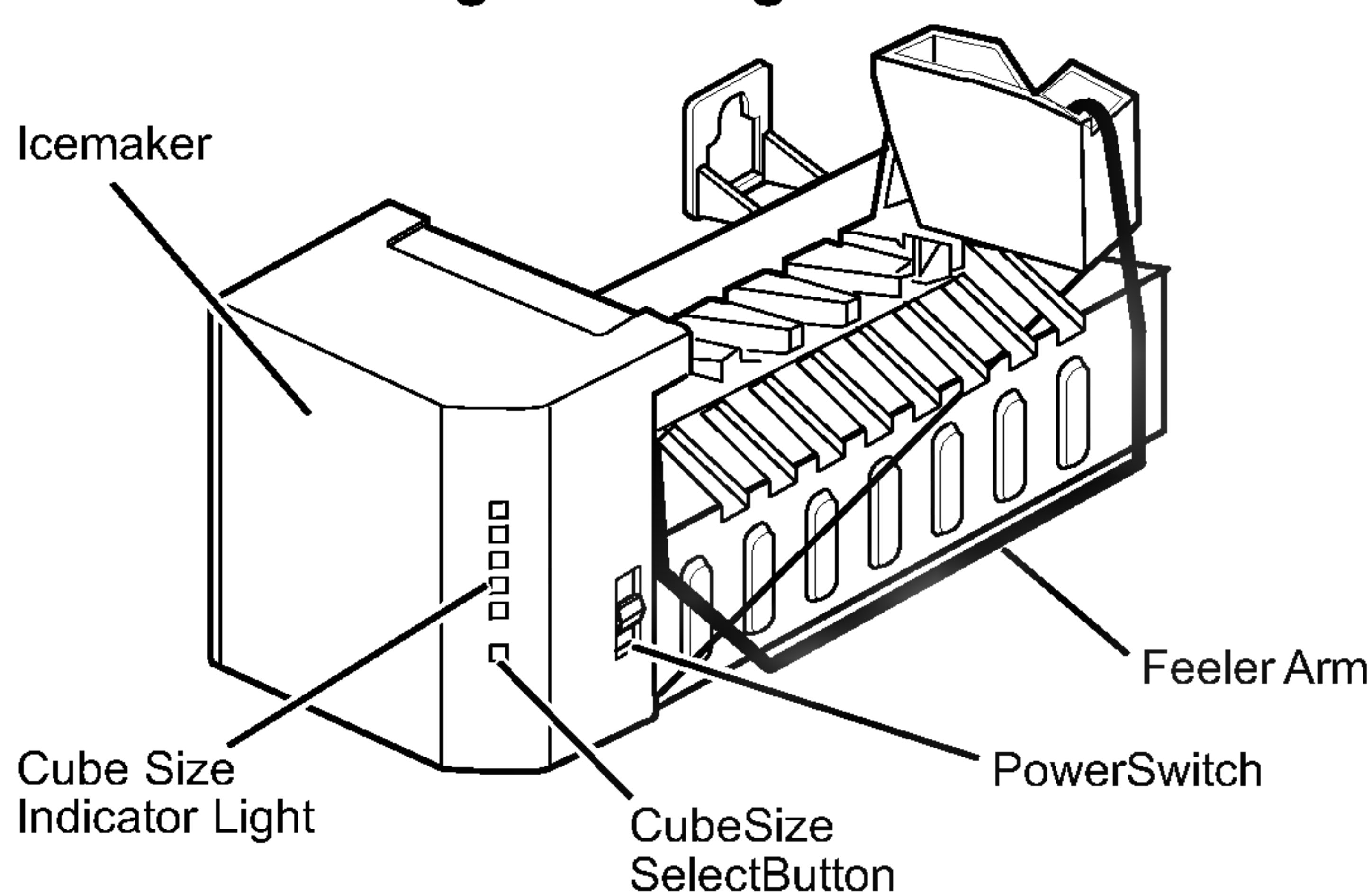
#### **PREPARING FOR VACATION**

Set the icemaker power switch to **O (off)** and shut off the water supply to the refrigerator.

If the ambient temperature will drop below freezing, have a qualified servicer drain the water supply system (on some models) to prevent serious property damage due to flooding from ruptured water lines or connections.

### **OPERATION INSTRUCTIONS**

**A newly-installed refrigerator may take 12 to 24 hours to begin making ice.**



The icemaker will produce eight cubes per cycle—approximately 100—130 cubes in a 24-hour period, depending on freezer compartment temperature, room temperature, number of door openings and other operating conditions.

If the refrigerator is used before the water connection is made to the icemaker, set the power switch to **O (off)**.

When the refrigerator has been connected to the water supply, set the power switch to **I (on)**.

The icemaker will fill with water when it cools to freezing. A newly-installed refrigerator may take 12 to 24 hours to begin making ice cubes.

Throw away the first few batches of ice to allow the water line to clear.

Be sure nothing interferes with the sweep of the feeler arm.

When the bin fills to the level of the feeler arm, the icemaker will stop producing ice.

It is normal for several cubes to be joined together.

If ice is not used frequently, old ice cubes will become cloudy, taste stale and shrink.



# CONNECTING THE WATER LINE

## BEFORE YOU BEGIN

Unless it is performed by Sears service this waterline installation is not warranted by the refrigerator or icemaker manufacturer.

Follow these instructions carefully to minimize the risk of expensive water damage.

Water hammer (water banging in the pipes) in house plumbing can cause damage to refrigerator parts and lead to water leakage or flooding. Call a qualified plumber to correct water hammer before installing the water supply line to the refrigerator.

To prevent burns and product damage, do not hook up the water line to the hot water line.

If you use your refrigerator before connecting the water line, make sure the icemaker power switch is in the **O (off)** position.

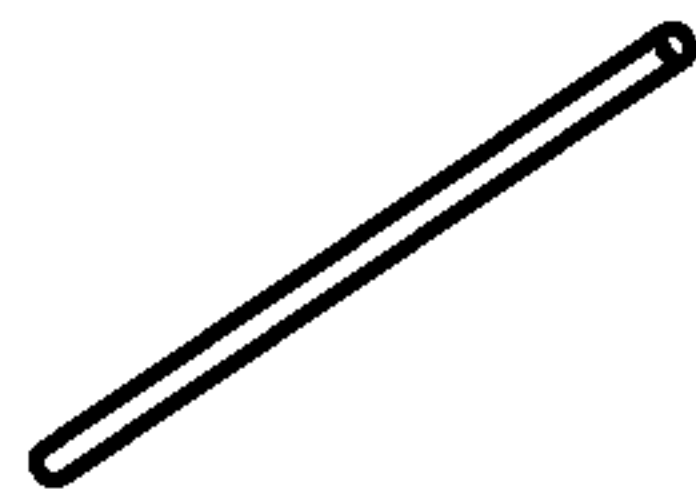
Do not install the icemaker tubing in areas where temperatures fall below freezing.

When using any electrical device (such as a power drill) during installation, be sure the device is double-insulated or grounded in a manner to prevent the hazard of electric shock, or is battery-powered.

All installations must be in accordance with local plumbing code requirements.

## WHAT YOU WILL NEED

- **Copper Tubing**, 1/4" outer diameter to connect the refrigerator to the water supply. Be sure both ends of the tubing are cut square.

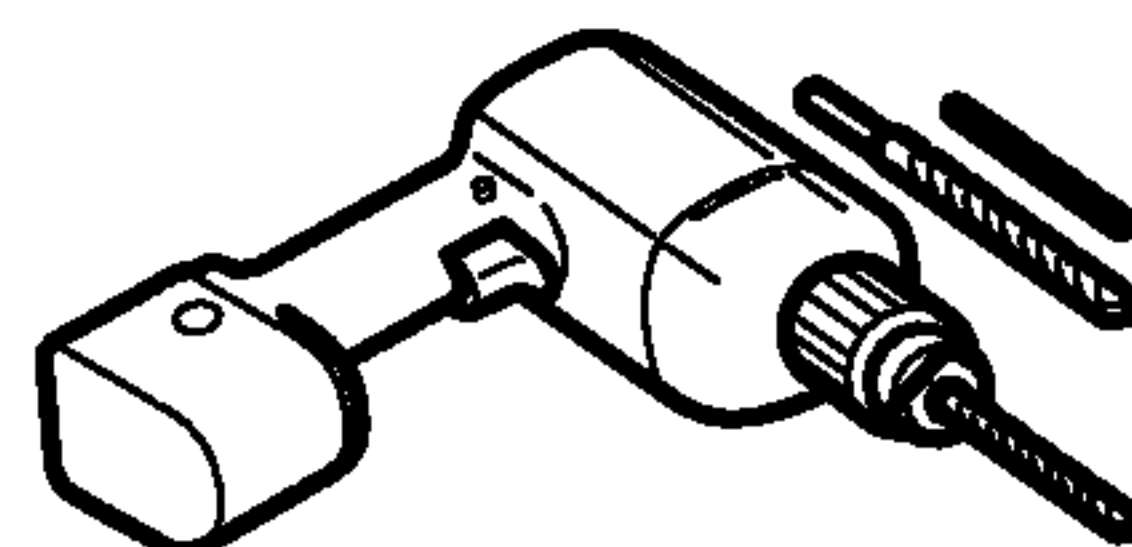


To determine how much tubing you need: measure

the distance from the water valve on the back of the refrigerator to the water supply pipe. Then add 8 feet (2.4 m). Be sure there is sufficient extra tubing (about 8 feet [2.4 m] coiled into 3 turns of about 10" [25 cm] diameter) to allow the refrigerator to move out from the wall after installation.

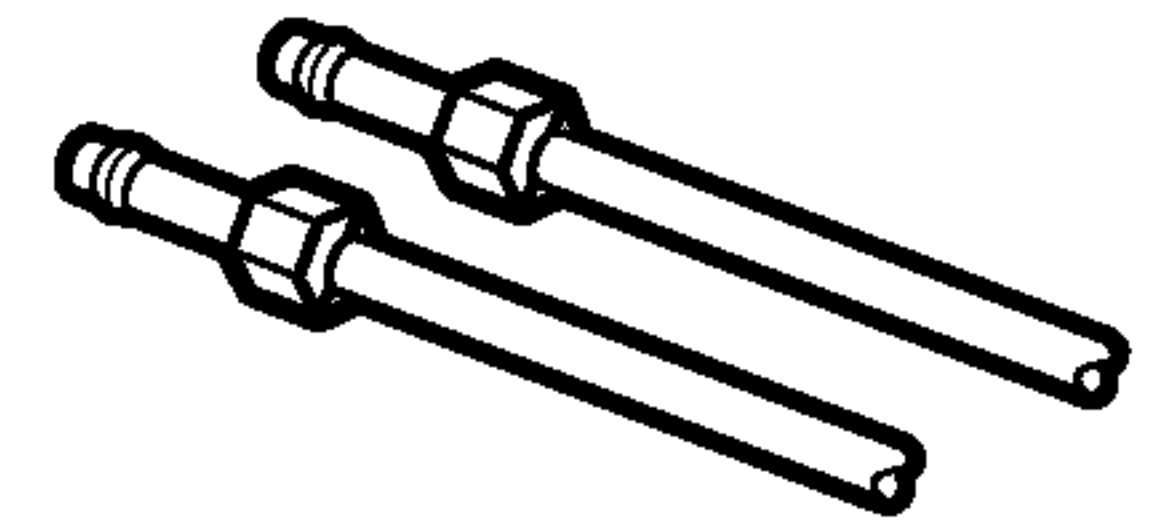
Be sure that the kit you select allows at least 8 feet (2.4 m) as described above.

- **A cold water supply.** The water pressure must be between 20 and 120 p.s.i. (1.4-8.2 bar) on models without a water filter and between 40 and 120 p.s.i. (2.8-8.2 bar) on models with a water filter.

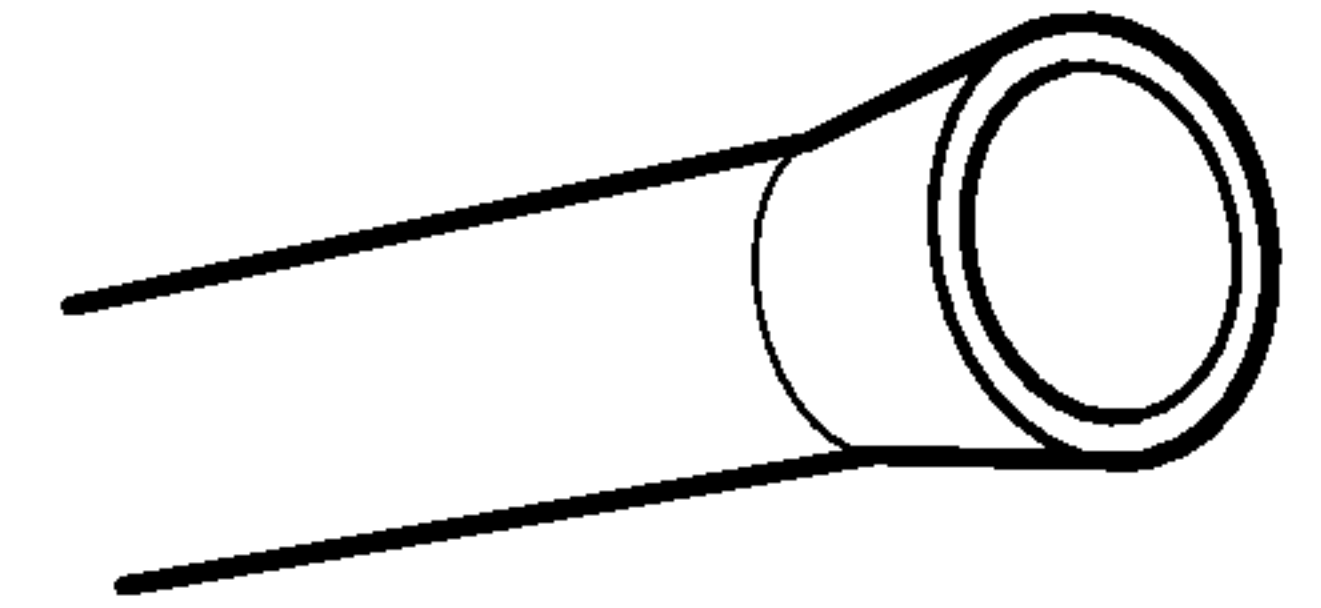


- **Power drill.**
- **1/2" or adjustable wrench.**
- **Straight- and Phillips-blade screwdriver.**

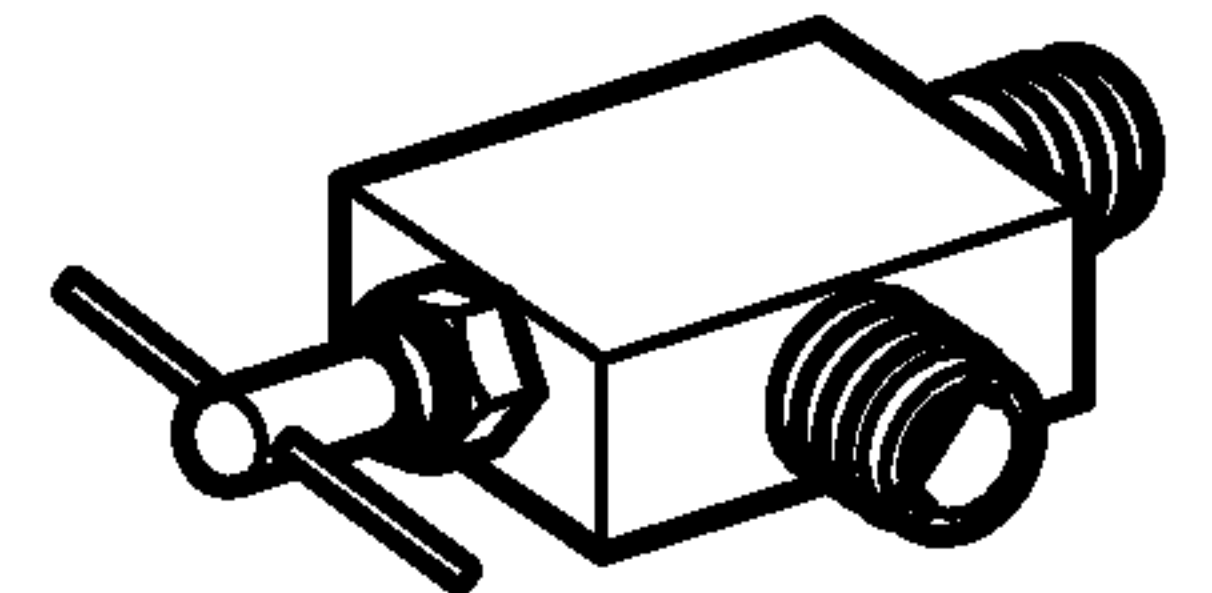
- **Two 1/4" outer diameter compression nuts and 2 ferrules (sleeves)** to connect the copper tubing to the shutoff valve and the refrigerator water valve.



If your existing copper water line has a flared fitting at the end, you will need an **adapter** (available at plumbing supply stores) to connect the water line to the refrigerator OR you can cut off the flared fitting with a tube cutter and then use a compression fitting.



- **Shutoff valve to connect to the cold water line.** The shutoff valve should have a water inlet with a minimum inside diameter of 5/32" at the point of connection to the COLD WATER LINE. Saddle-type shutoff valves are included in many water supply kits. Before purchasing, make sure a saddle-type valve complies with your local plumbing codes.



## INSTALLATION INSTRUCTIONS

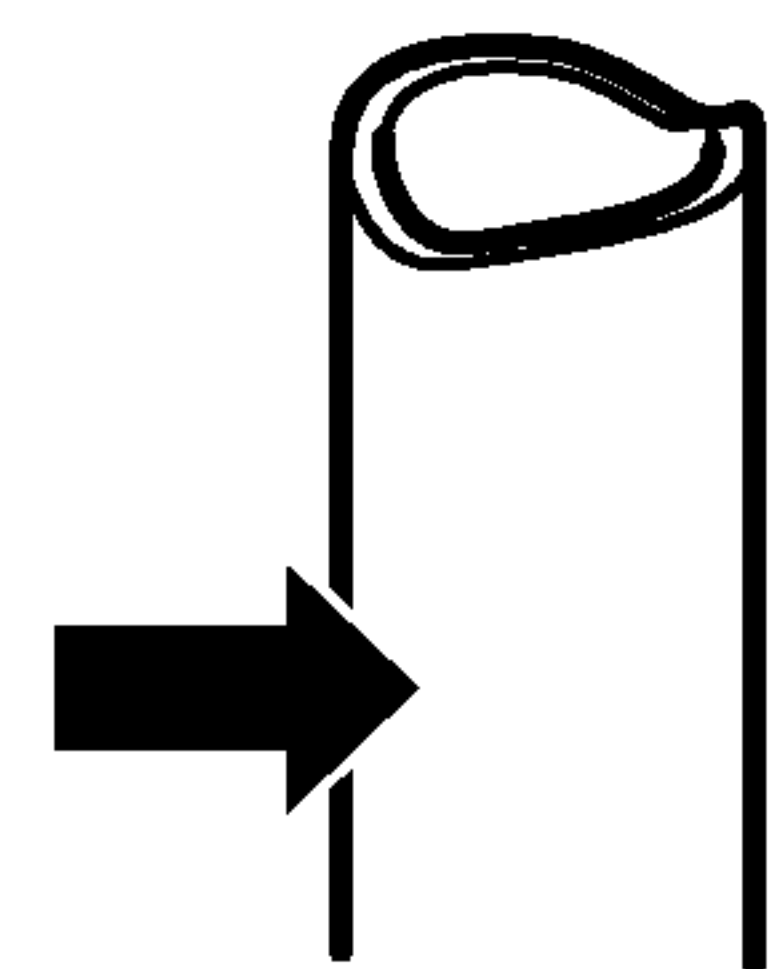
Install the shutoff valve on the nearest frequently used drinking water line.

### 1. SHUT OFF THE MAIN WATER SUPPLY

Turn on the nearest faucet to clear the line of water.

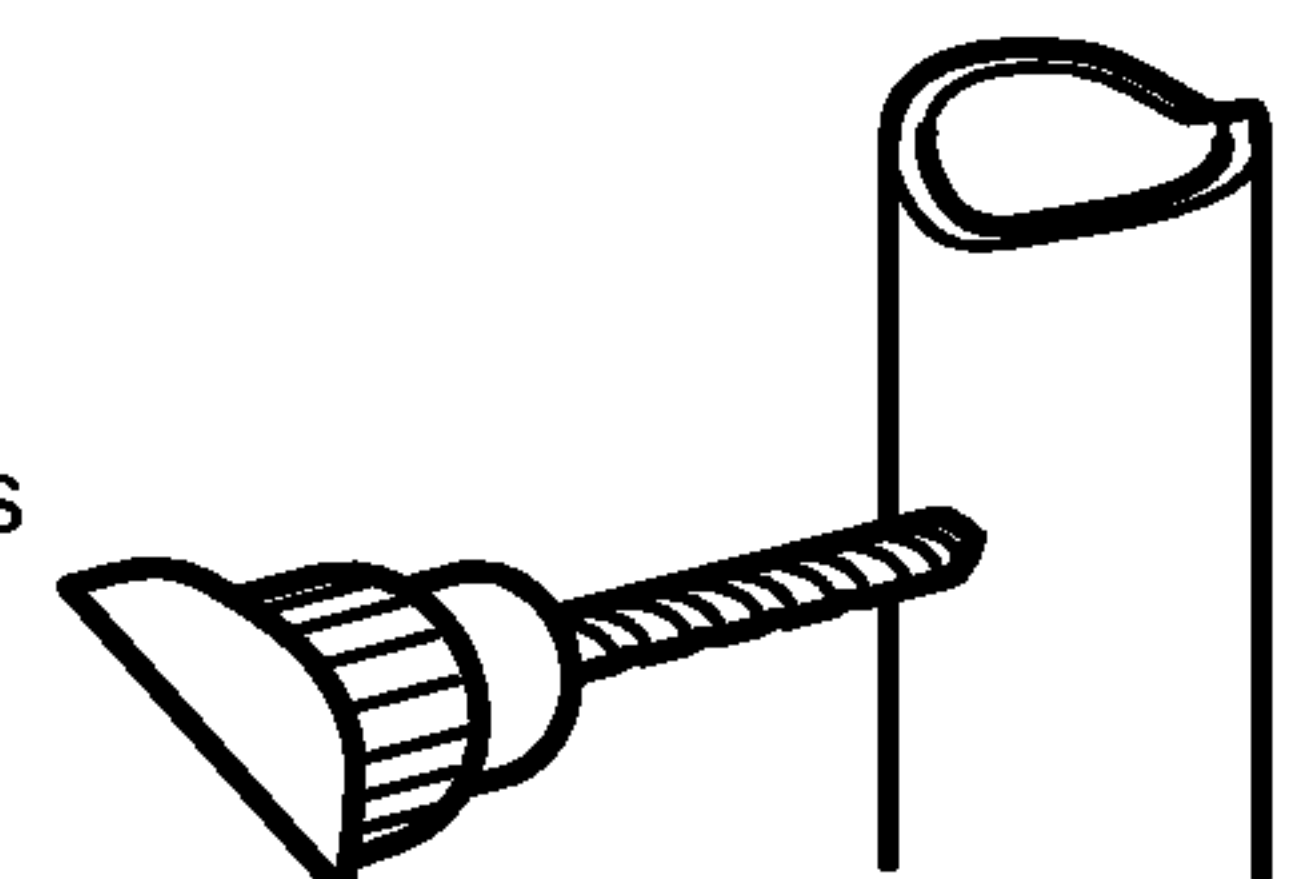
### 2. CHOOSE THE VALVE LOCATION

Choose a location for the valve that is easily accessible. It is best to connect into the side of a vertical water pipe. When it is necessary to connect into a horizontal water pipe, make the connection to the top or side, rather than at the bottom, to avoid drawing off any sediment from the water pipe.



### 3. DRILL THE HOLE FOR THE VALVE

Drill a 1/4" hole in the water pipe (even if using a self-piercing valve) using a sharp bit. Remove any burrs resulting from drilling the hole in the pipe. Take care not to allow water to drain into the drill. Failure to drill a 1/4" hole may result in reduced ice production or smaller cubes.

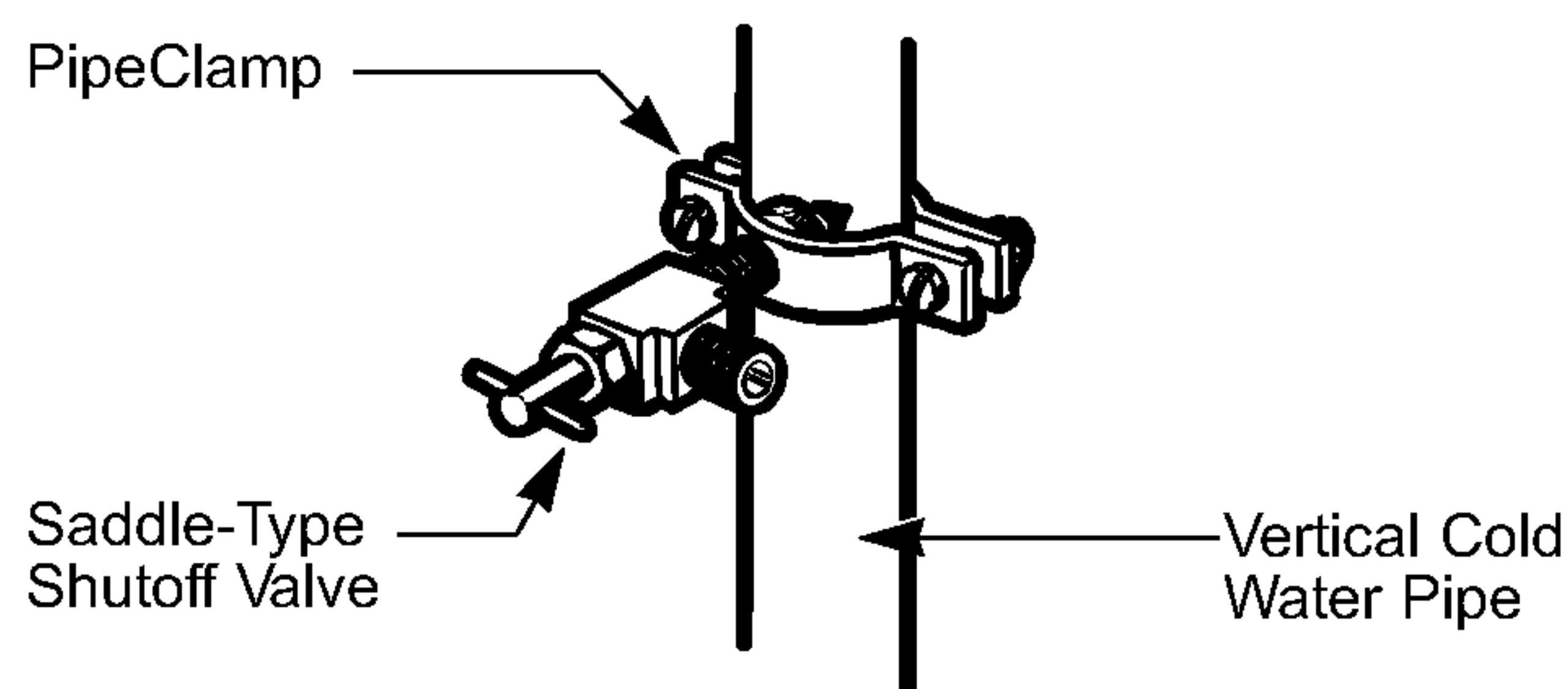


# CONNECTING THE WATER LINE

## INSTALLATION INSTRUCTIONS (CONTINUED)

### 4. FASTEN THE SHUTOFF VALVE

Fasten the shutoff valve to the cold water pipe with the pipe clamp.

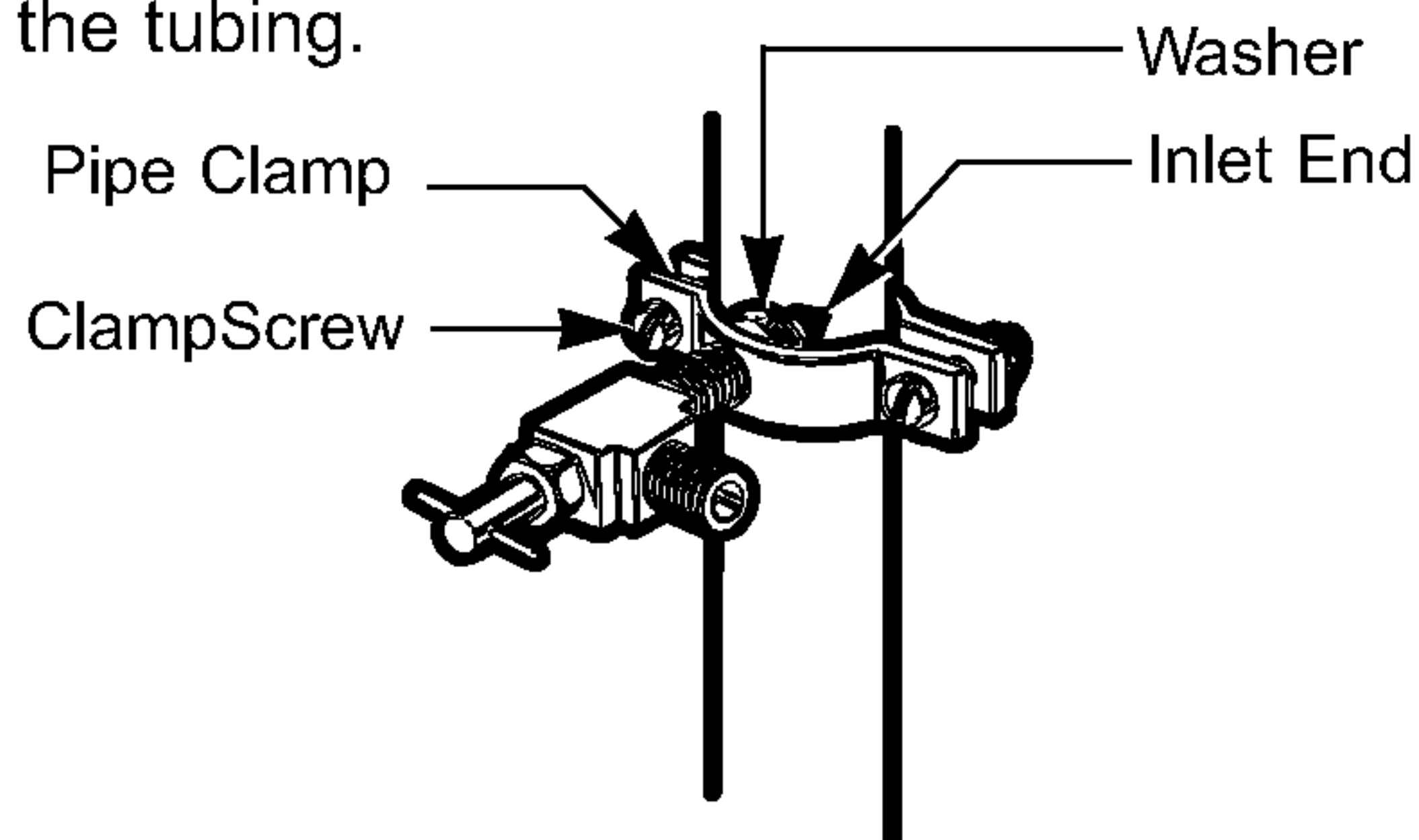


**NOTE:** Commonwealth of Massachusetts Plumbing Codes 248CMR shall be adhered to. Saddle valves are illegal and use is not permitted in Massachusetts. Consult with your licensed plumber.

### 5. TIGHTEN THE PIPE CLAMP

Tighten the clamp screws until the sealing washer begins to swell.

**NOTE:** Do not overtighten or you may crush the tubing.



### 6. ROUTE THE TUBING

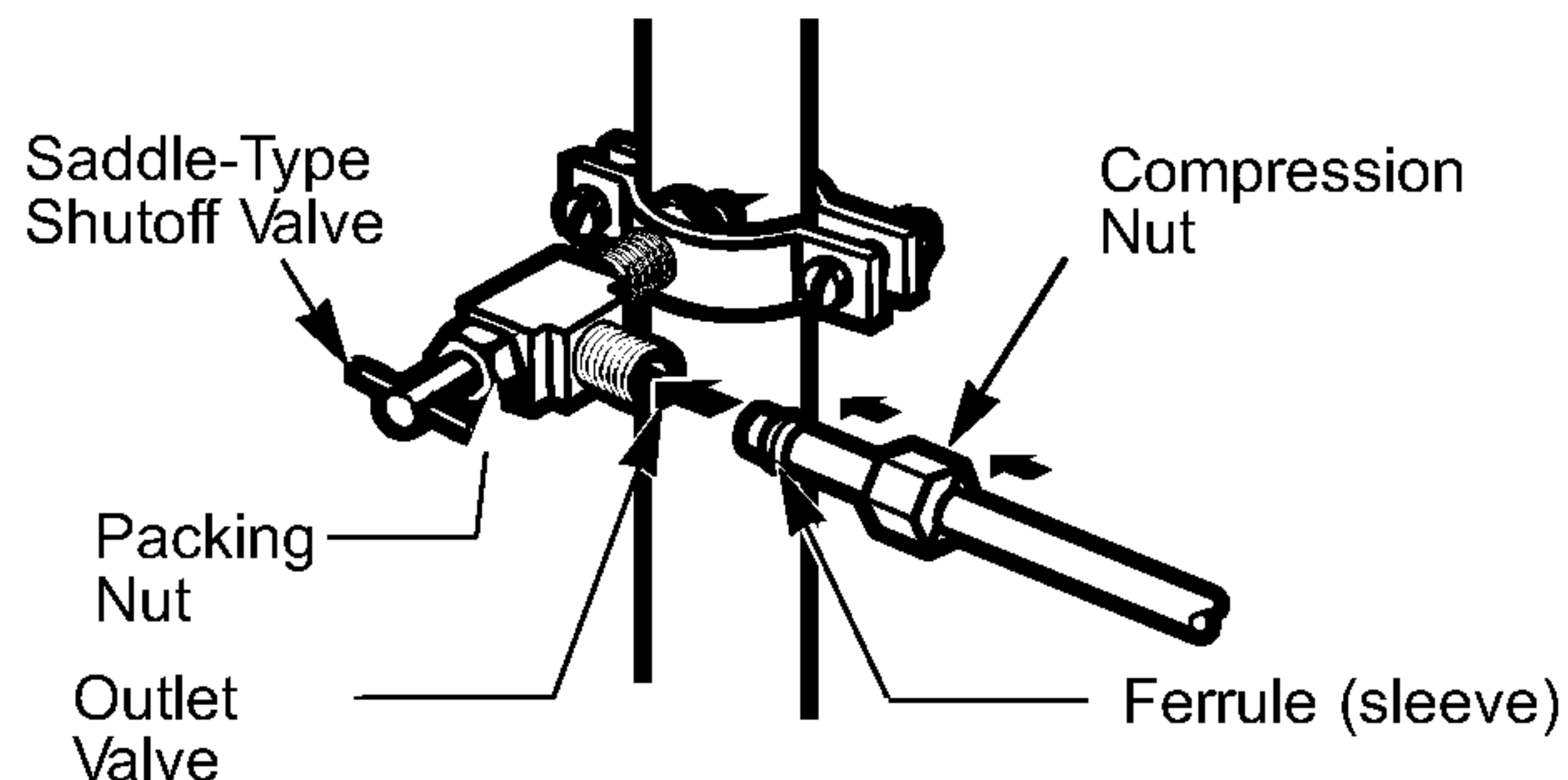
Route the tubing between the cold water line and the refrigerator.

Route the tubing through a hole drilled in the wall or floor (behind the refrigerator or adjacent base cabinet) as close to the wall as possible.

**NOTE:** Be sure there is sufficient extra tubing (about 8 feet [244 cm] coiled into 3 turns of about 10" [25 cm] diameter) to allow the refrigerator to move out from the wall after installation.

### 7. CONNECT THE TUBING TO THE VALVE

Place the compression nut and ferrule (sleeve) for copper tubing onto the end of the tubing and connect it to the shutoff valve. Make sure the tubing is fully inserted into the valve. Tighten the compression nut securely.

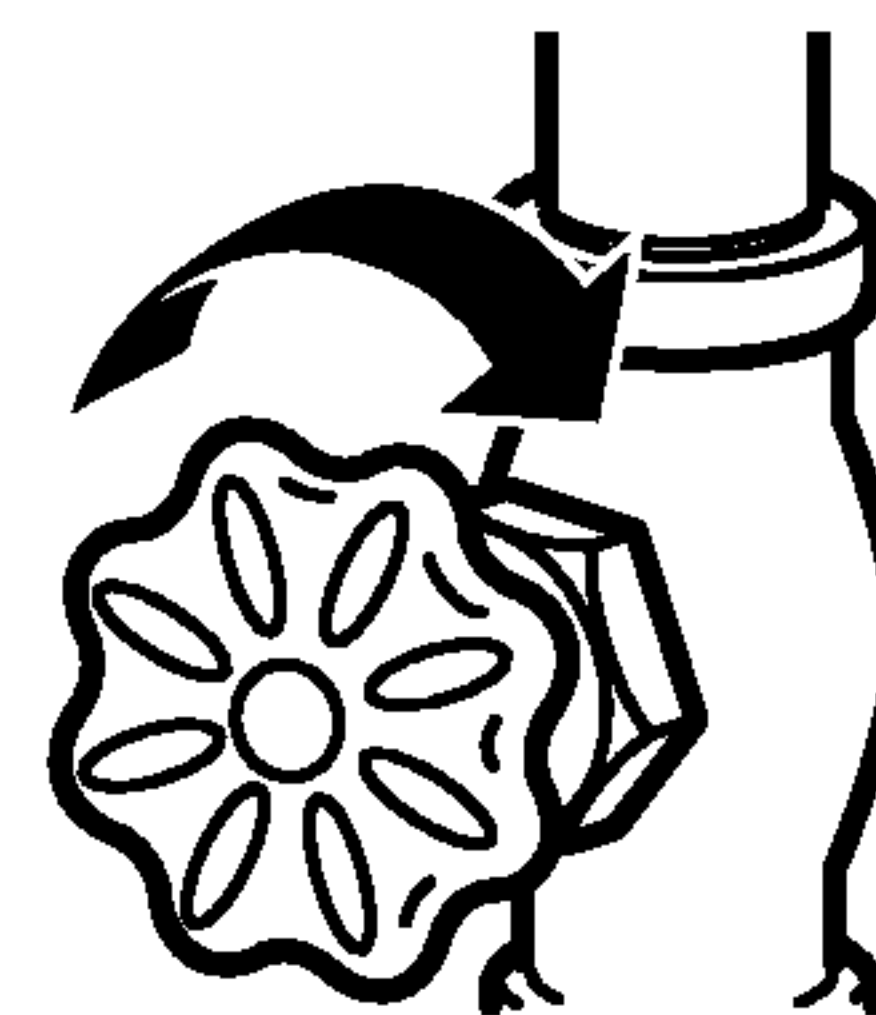


**NOTE:** Commonwealth of Massachusetts Plumbing Codes 248CMR shall be adhered to. Saddle valves are illegal and use is not permitted in Massachusetts. Consult with your licensed plumber.

### 8. FLUSH OUT THE TUBING

Turn the main water supply on and flush out the tubing until the water is clear.

Shut the water off at the water valve after about one quart (1 liter) of water has been flushed through the tubing.

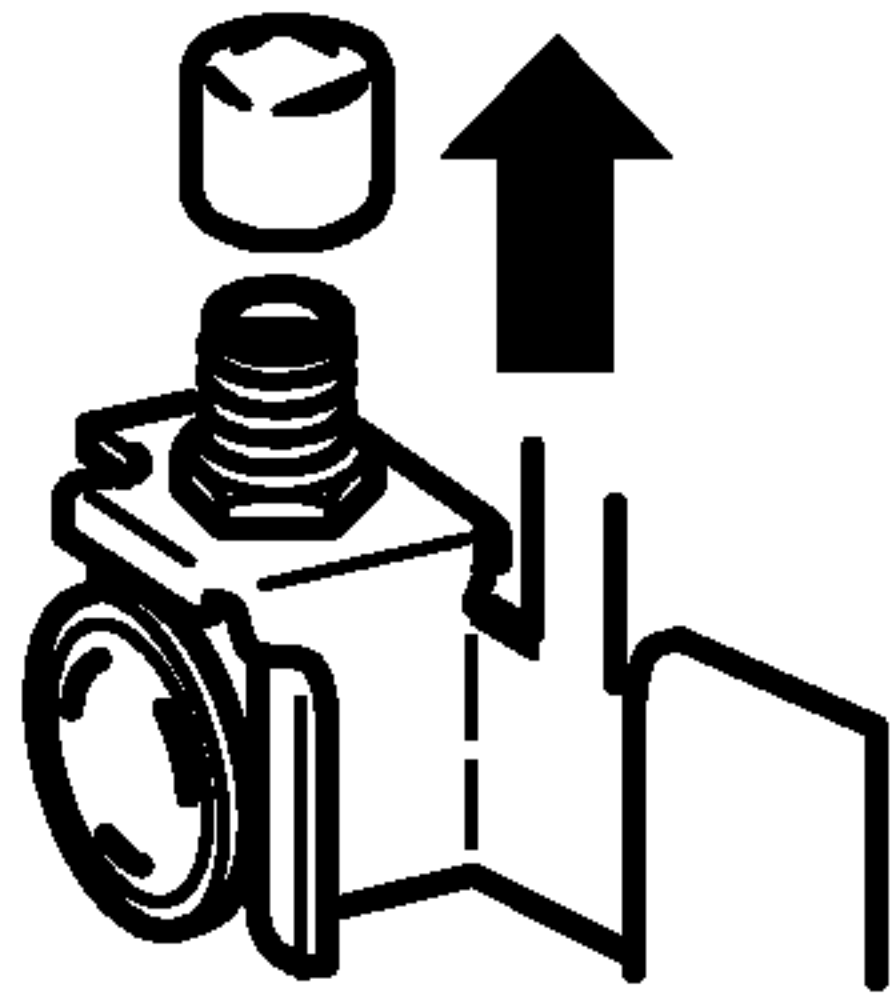


## 9. CONNECT THE TUBING TO THE REFRIGERATOR

### NOTES:

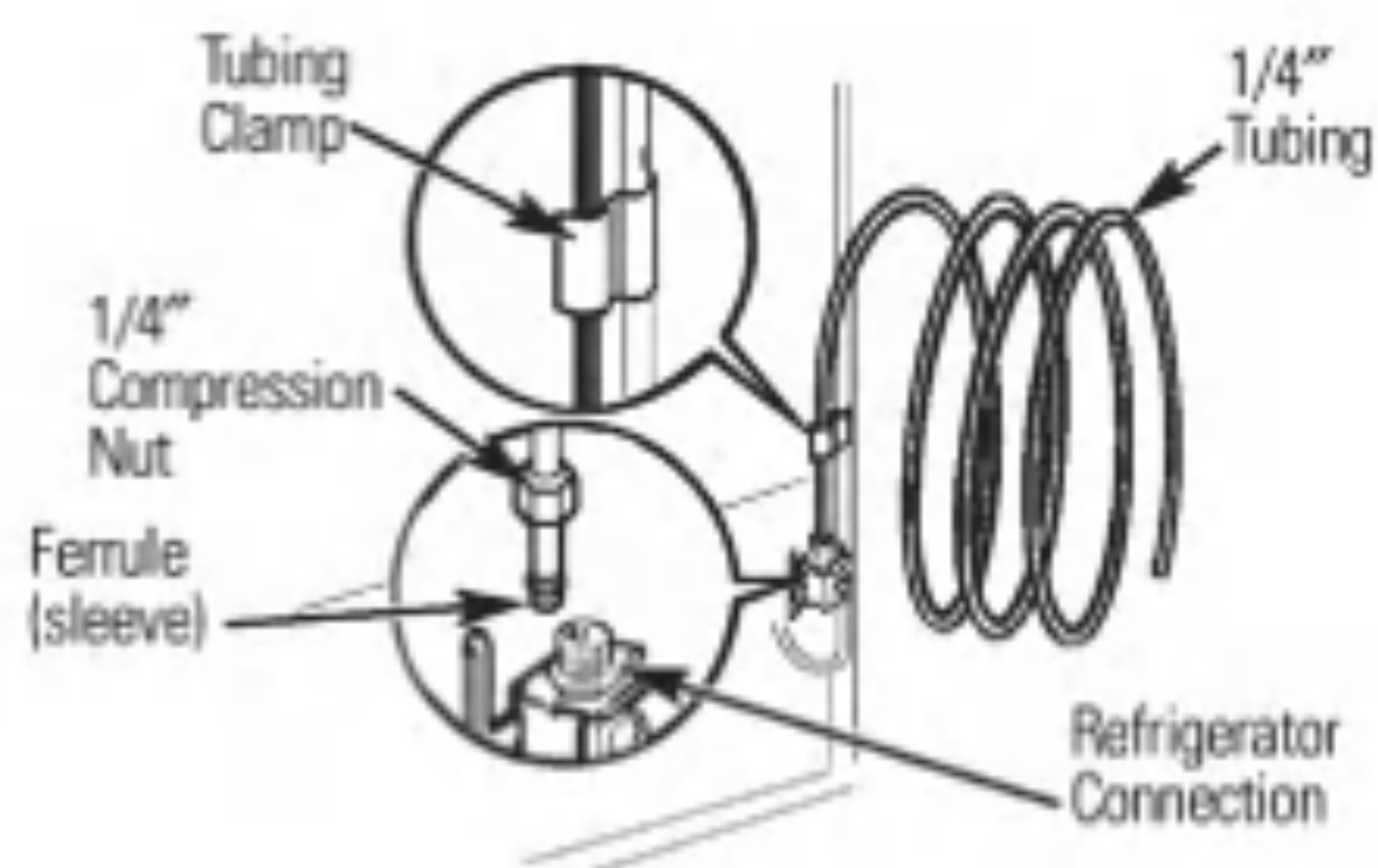
- Before making the connection to the refrigerator, be sure the refrigerator power cord is not plugged into the wall outlet.
- If your refrigerator does not have a water filter, we recommend installing one if your water supply has sand or particles that could clog the screen of the refrigerator's water valve. Install the filter in the water line near the refrigerator.

Remove the plastic flexible cap from the water valve (refrigerator connection).



Place the compression nut and ferrule (sleeve) onto the end of the tubing.

Insert the end of the tubing into the water valve connection as far as possible. While holding the tubing, tighten the fitting.



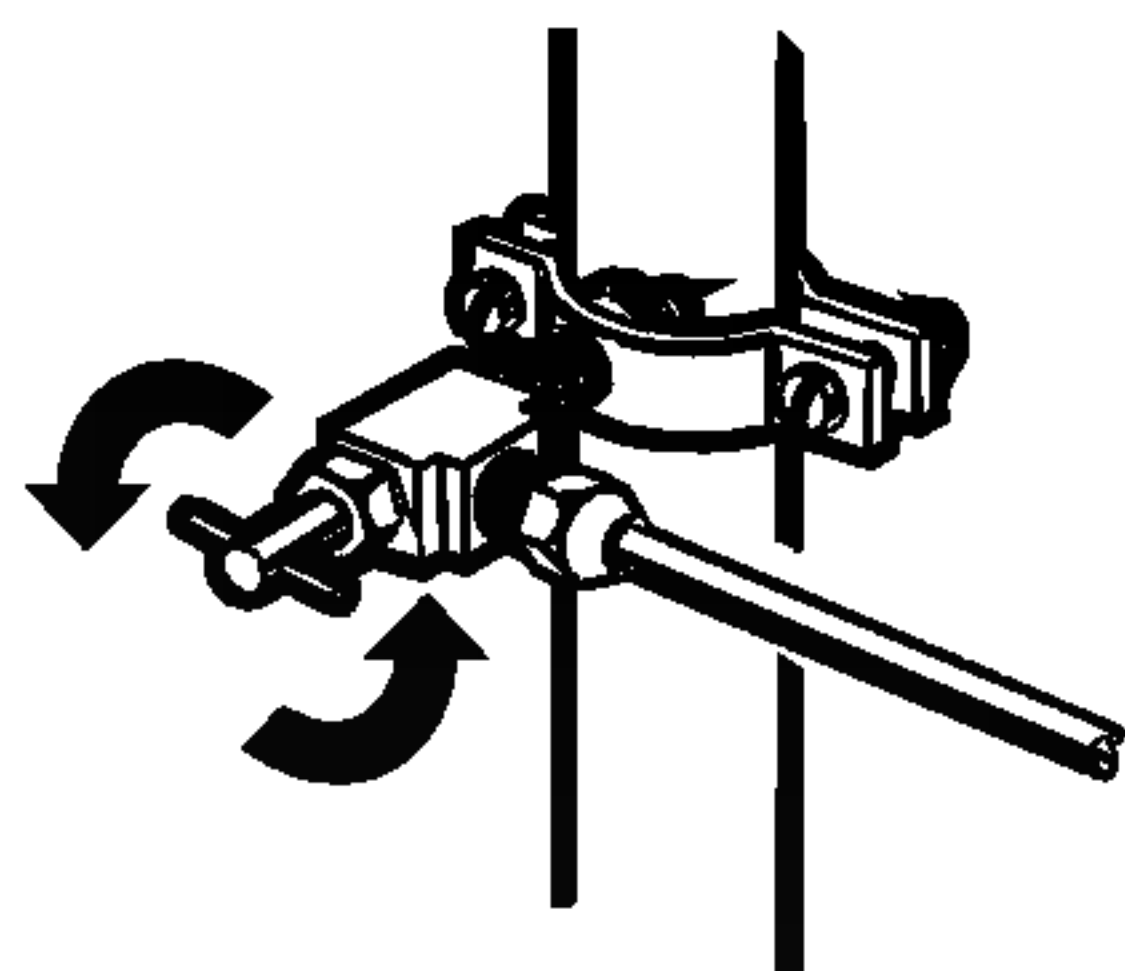
Fasten the tubing into the tubing Clamp attached to the back of the refrigerator.

First you loosen the screw fastening the clamp, next insert the tubing in the groove, last re-fasten the screw.

## 10. TURN THE WATER ON AT THE SHUTOFF VALVE

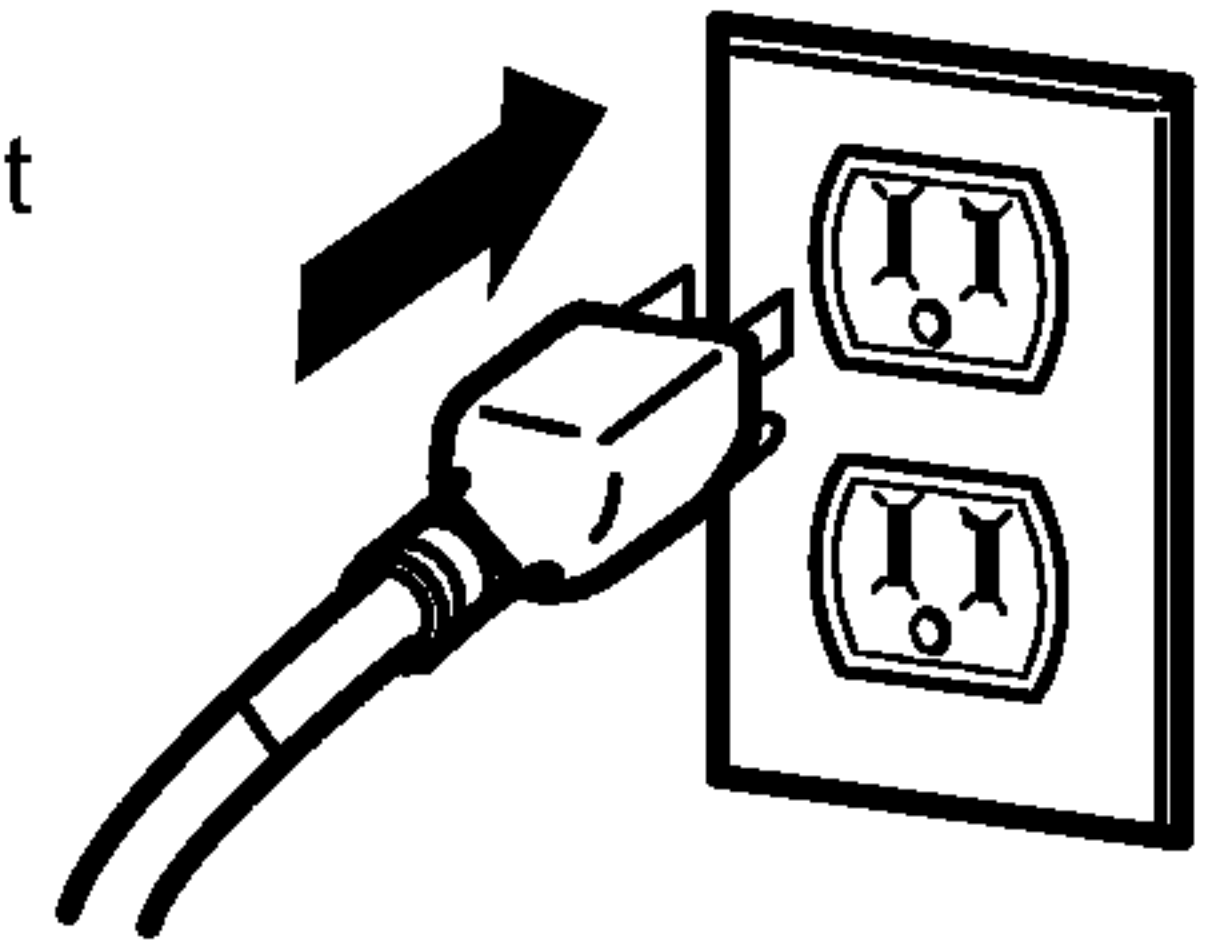
Tighten any connections that leak.

Reattach the compressor compartment access cover.



## 11. PLUG IN THE REFRIGERATOR

Arrange the coil of tubing so that it does not vibrate against the back of the refrigerator or against the wall. Push the refrigerator back to the wall.

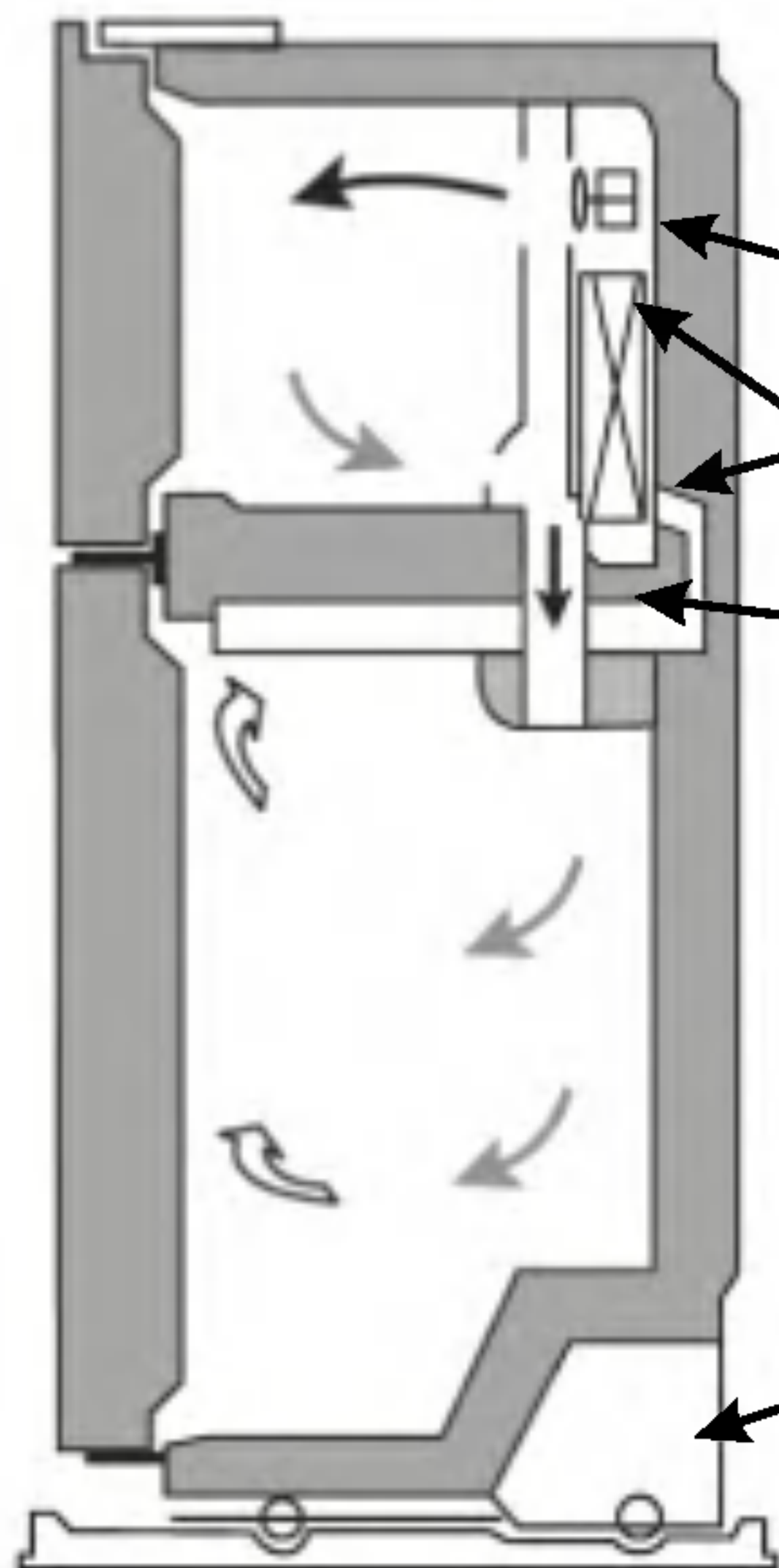


## 12. START THE ICEMAKER

Set the icemaker power switch to the **ON** position. The icemaker will not begin to operate until it reaches its operating temperature of 15°F (-9°C) or below. It will then begin operation automatically if the icemaker power switch is in the **I (on)** position.

## UNDERSTANDING SOUNDS YOU MAY HEAR

Your new refrigerator may make sounds that your old one didn't make. Because the sounds are new to you, you might be concerned about them. Most of the new sounds are normal. Hard surfaces, like the floor, walls and cabinets, can make the sounds seem louder than they actually are. The following describes the kinds of sounds and what may be making them.



- The defrost timer will click when the automatic defrost cycle begins and ends. The thermostat control (or refrigerator control, depending on the model) will also click when cycling on and off.
- Rattling noises may come from the flow of refrigerant, the water line or items stored on top of the refrigerator.
- Your refrigerator is designed to run more efficiently to keep your food items at the desired temperature. The high efficiency compressor may cause your new refrigerator to run longer than your old one, and you may hear a pulsating or high-pitched sound.
- Contraction and expansion of the inside walls may cause a popping noise.
- You may hear the evaporator fan motor circulating the air through the refrigerator and freezer compartments.
- Water dripping on the defrost heater during a defrost cycle may cause a sizzling sound.
- As each cycle ends, you may hear a gurgling sound due to the refrigerant flowing in your refrigerator.
- You may hear air being forced over the condenser by the condenser fan.
- You may hear water running into the drain pan during the defrost cycle.

## REFRIGERATOR DOES NOT OPERATE

### Check if...

### Then...

The power supply cord is unplugged.	Firmly plug the cord into a live outlet with proper voltage.
A household fuse has blown or circuit breaker tripped.	Replace the fuse or reset the circuit breaker.
The refrigerator control is set to the OFF position.	Refer to the Setting the Controls section on page 14-15.
Refrigerator is in the defrost cycle.	Wait about 30 minutes for defrost cycle to end.

## VIBRATION OR RATTLING NOISE

### Check if...

### Then...

The refrigerator is not resting solidly on the floor.	Floor is weak or uneven or leveling legs need adjusting. See Installation section on page 13.
---	---

## LIGHTS DO NOT WORK

### Check if...

### Then...

The power supply cord is unplugged.	Firmly plug the cord into a live outlet with proper voltage.
Light bulb is loose in the socket.	Turn the refrigerator control to the OFF position and unplug the refrigerator. Gently remove the bulb and reinsert. Then plug in refrigerator and reset the refrigerator control.
Light bulb has burned out.	Replace with an appliance bulb of the same wattage, size and shape available at your local hardware store. (See the Changing the Light Bulb(s) section on pages 22 –23.) Turn the temperature control to the OFF position and unplug the refrigerator prior to replacement.

## TROUBLESHOOTING GUIDE

### COMPRESSOR MOTOR SEEMS TO RUN TOO MUCH

Check if...	Then...
The refrigerator that was replaced was an older model.	Modern refrigerators with more storage space require more operating time.
The room temperature is hotter than normal.	The motor will run longer under warm conditions. At normal room temperatures, expect your motor to run about 40% to 80% of the time. Under warmer conditions, expect it to run even more often.
The door is opened often or a large amount of food has just been added.	Adding food and opening the door warms the refrigerator. It is normal for the refrigerator to run longer in order to cool the refrigerator back down. Adding a large amount of food warms the refrigerator. See the Food Storage Guide section on page 16. In order to conserve energy, try to get everything you need out of the refrigerator at once, keep food organized so it is easy to find and close the door as soon as the food is removed.
The refrigerator was recently plugged in and the refrigerator control was set correctly.	The refrigerator will take up to 24 hours to cool completely.
The refrigerator control is not set correctly for the surrounding conditions.	See the Setting the Controls section on page 14-15.
The doors are not closed completely.	Push the doors firmly shut. If they will not shut all the way, see "Doors will not close completely" below.
The condenser coils are dirty.	This prevents air transfer and makes the motor work harder. Clean the condenser coils. Refer to the Care and Cleaning section on page 22.

### DOORS WILL NOT CLOSE COMPLETELY

Check if...	Then...
The refrigerator is not level.	See the Installation section on page 13 to level refrigerator.
Food packages are blocking the door open.	Rearrange food containers to clear door and door shelves.
The ice bin, crisper cover, pans, shelves, door bins or baskets are out of position.	Push bins all the way in and put crisper cover, pans, shelves and baskets into their correct positions. See the Using Your Refrigerator section on pages 17–21.
The gaskets are sticking.	Clean gaskets and the surface that they touch. Rub a thin coat of parafin wax on the gaskets after cleaning.
The refrigerator wobbles or seems unstable.	Level the refrigerator. Refer to the Door Closing and Alignment section on page 13.
The doors were removed during product installation and not properly replaced.	Remove and replace the doors according to the Removing, Reversing (optional) and Replacing Refrigerator Doors section on pages 11–12, or call a qualified service technician.

### FROST OR ICE CRYSTALS ON FROZEN FOOD

Check if...	Then...
The door is not closing properly.	See "Doors will not close completely" above.
The door is opened often.	When the door is opened, warm, humid air is allowed in the freezer resulting in frost.

## TROUBLESHOOTING GUIDE

### ICE HAS OFF-TASTE OR ODOR

Check if...	Then...
The icemaker was recently installed.	Discard first few batches of ice to avoid discolored or off-flavored ice.
The ice has been stored for too long.	Throw away old ice and make new supply.
The food has not been wrapped tightly in either compartment.	Rewrap food since odors may migrate to the ice if food is not wrapped properly.
The water supply contains minerals such as sulfur.	A filter may need to be installed to eliminate taste and odor problems.
The interior of refrigerator needs cleaning.	See Care and Cleaning section on page 22.
Ice storage bin needs cleaning.	Empty and wash bin. Discard old cubes.

### THERE IS WATER IN THE DEFROST DRAIN PAN

Check if...	Then...
The refrigerator is defrosting.	The water will evaporate. It is normal for water to drip into the defrost pan.
It is more humid than normal.	Expect that the water in the defrost pan will take longer to evaporate. This is normal when it is hot or humid.

### THE REFRIGERATOR SEEMS TO MAKE TOO MUCH NOISE

Check if...	Then...
The sounds may be normal for your refrigerator.	Refer to the Understanding Sounds You May Hear section on page 28.

### THE ICEMAKER IS NOT PRODUCING ICE OR ICE CUBES ARE FREEZING TOO SLOWLY

Check if...	Then...
The freezer temperature is cold enough to produce ice.	Wait 24 hours after hook-up for ice production. See the Setting the Controls section on page 14-15.
Door left open.	Check to see if something is holding door open.

### CUBES PRODUCED BY ICEMAKER ARE TOO SMALL

Check if...	Then...
Smaller cube size level is selected.	Select larger cube size using cube size selector.
Water shutoff valve connecting refrigerator to water line may be clogged.	Call a plumber to clear the valve.

### THE DOORS ARE DIFFICULT TO OPEN

Check if...	Then...
The gaskets are dirty or sticky.	Clean gaskets and the surfaces that they touch. Rub a thin coat of paraffin wax on the gaskets following cleaning.
The door is reopened within a short time after having been opened.	When you open the door, warmer air enters the refrigerator. As the warm air cools, it can create a vacuum. If the door is hard to open, wait 5 minutes to allow the air pressure to equalize, then see if it opens more easily.

## TROUBLESHOOTING GUIDE

### AUTOMATIC ICEMAKER DOES NOT WORK

Check if...

Then...

Icemaker power switch in the <b>O (off)</b> position.	Move the switch to the <b>I (on)</b> position.
Water supply turned off or not connected.	See the Connecting the Water Line section on page 25.
Freezer compartment too warm.	Wait 24 hours for the freezer to reach its ideal temperature.
Piled up cubes in the storage bin cause the icemaker to shut off.	Level cubes by hand.

### TEMPERATURE IS TOO WARM OR THERE IS INTERIOR MOISTURE BUILDUP

Check if...

Then...

The air vents are blocked. Cold air circulates from the freezer to the fresh food section and back again through air vents in the wall dividing the two sections.	Locate air vents by using your hand to sense airflow and move all packages that block vents and restrict airflow. Refer to Icebeam Door Cooling On Page 14 for the location of air vents.
The doors are opened often.	When the door is opened, warm humid air is allowed into the refrigerator. The more the door is opened, the faster the humidity builds up, and the more warm air the refrigerator must cool. In order to keep the refrigerator cool, try to get everything you need out of the refrigerator at once, keep food organized so it is easy to find and close the door as soon as the food is removed.
The control is not set correctly for the surrounding conditions.	Refer to the Setting the Controls section on page 14-15. Wait 24 hours for temperatures to stabilize or even out. If the temperature is too cold or too warm, move the dial one number at a time.
A large amount of food has just been added to the refrigerator or freezer.	Adding food warms the refrigerator. It can take a few hours for the refrigerator to return to normal temperature.
The food is not packaged correctly.	Wrap food tightly and wipe off damp containers prior to storing in the refrigerator to avoid moisture accumulation. If necessary, repackage food according to the guidelines in the Food Storage Guide section on page 16.
The doors are not closing completely.	See "Doors will not close completely" on page 29.
The weather is humid.	In humid weather, air carries moisture into refrigerator when doors are opened.
A self-defrost cycle was completed.	It is normal for droplets to form on the back wall after the refrigerator self-defrosts.









**LG Electronics Inc.**