



Vacuum Cleaner

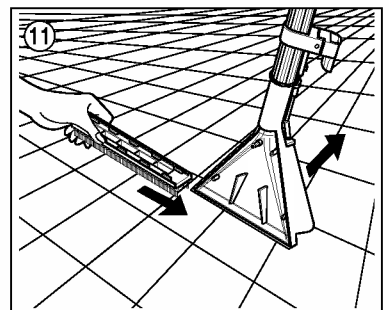
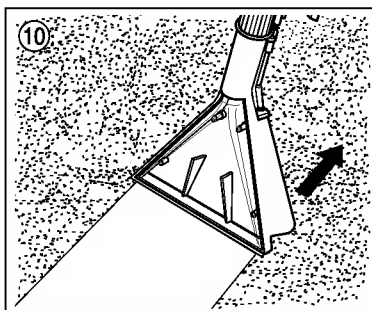
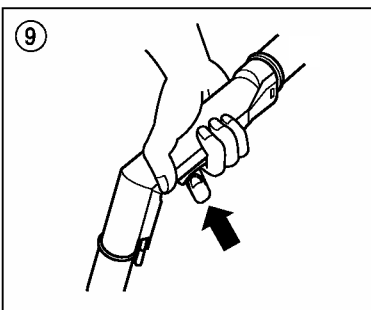
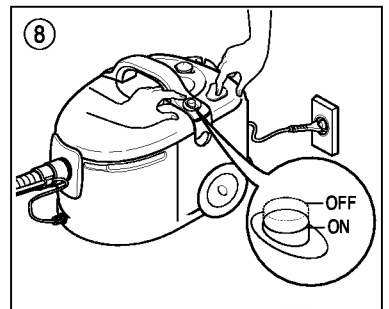
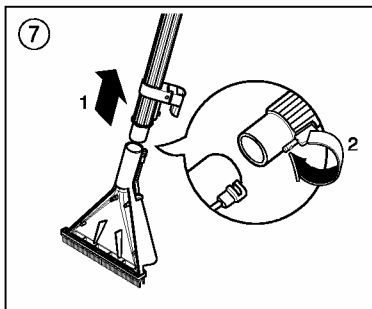
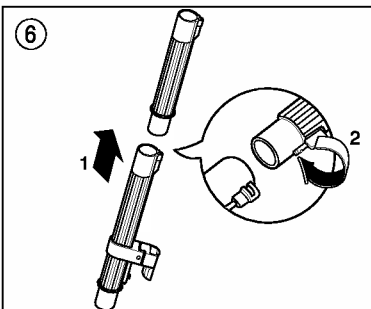
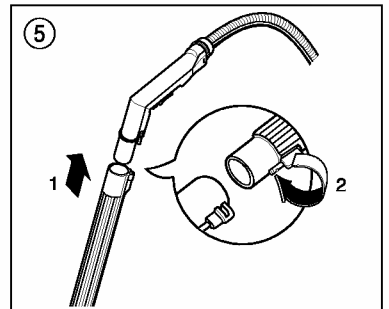
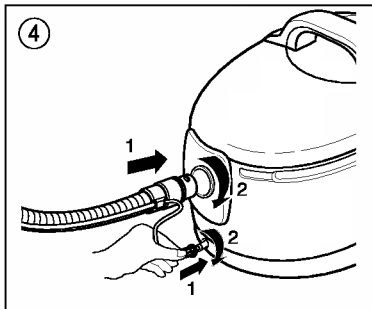
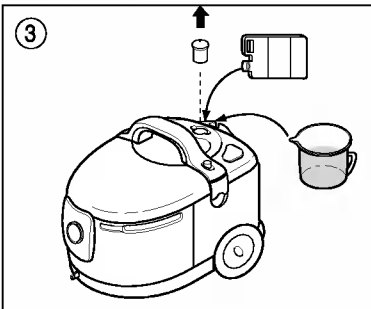
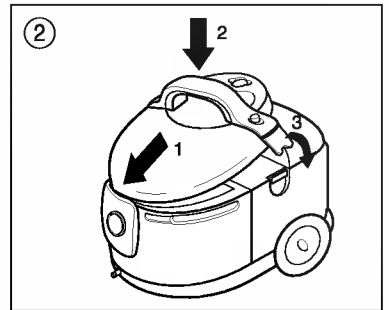
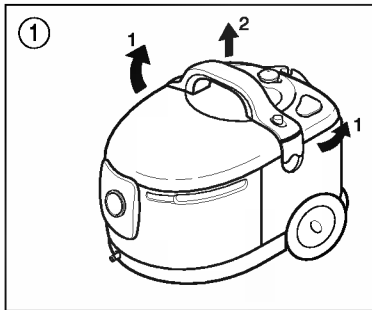
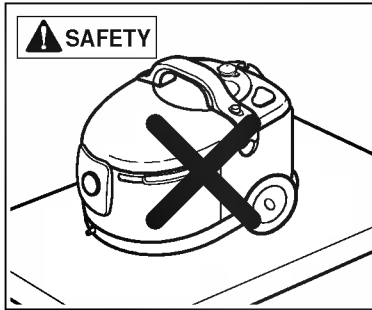
OWNER'S MANUAL

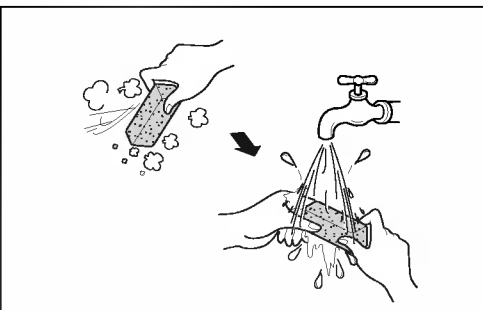
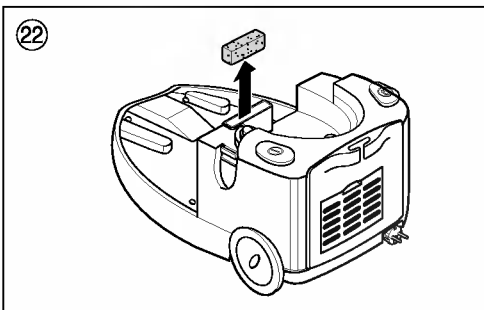
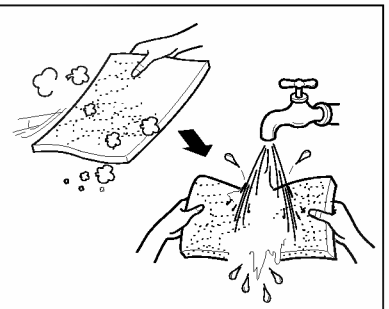
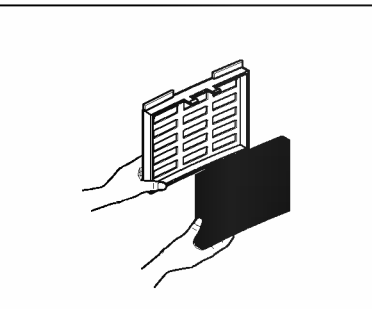
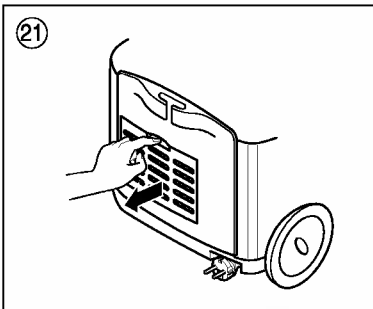
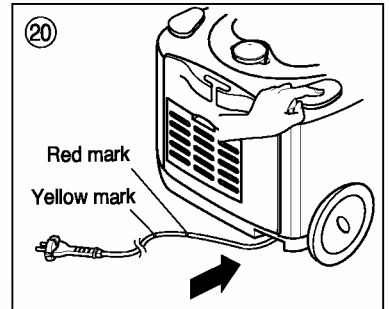
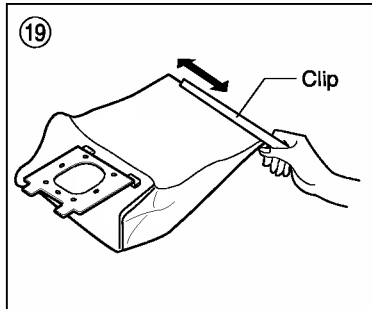
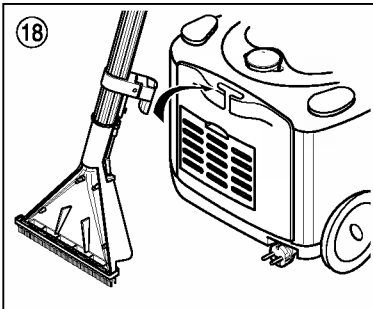
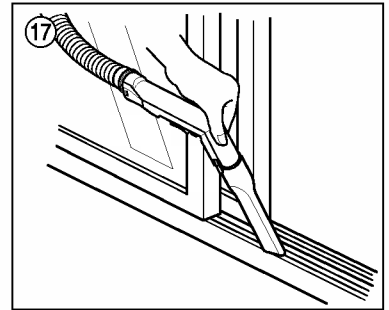
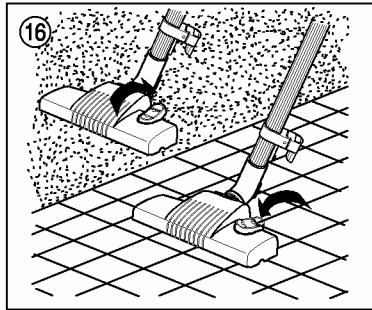
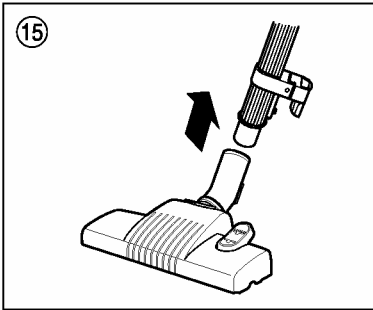
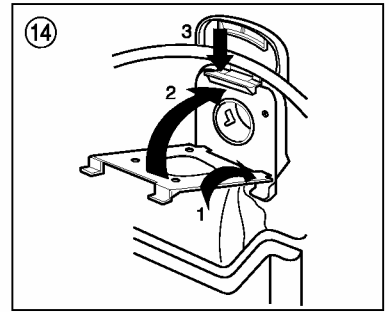
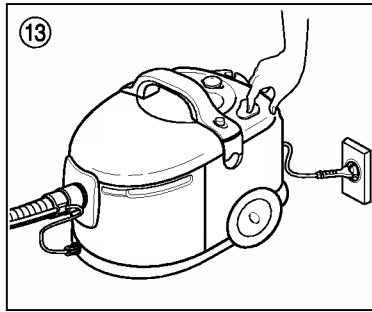
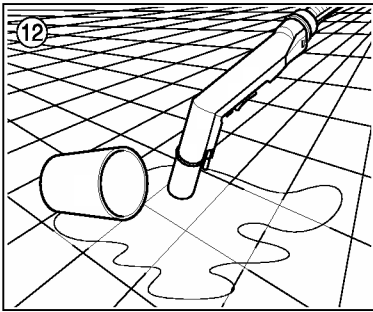
MODEL : V-9000WA

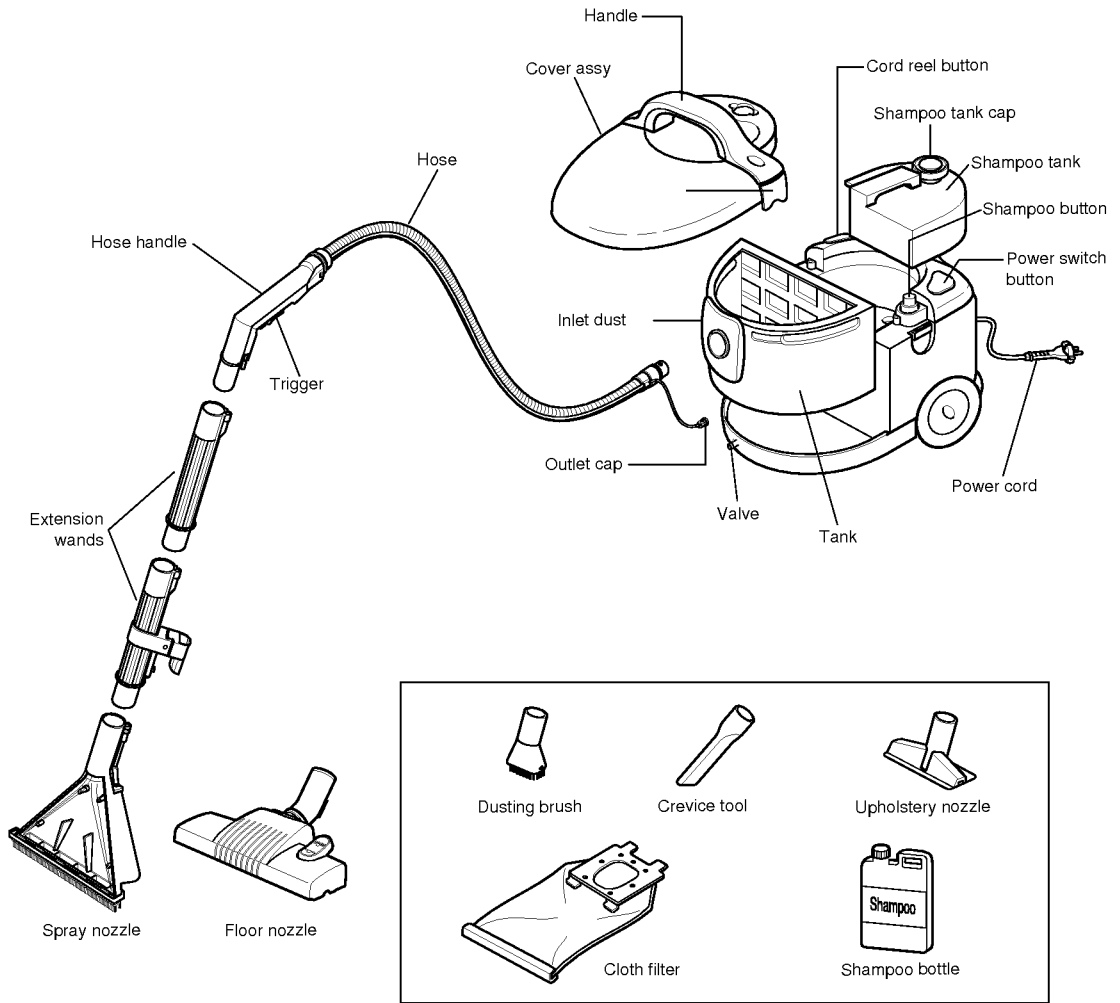
Please read carefully and thoroughly the operating instructions and safety precautions before installing and operating your vacuum cleaner.

P/No.: 3828FI3741E









- When using an electric appliance, you should always follow safety instructions to prevent fire risk, electric shock and/or injury to persons.
- Read all instructions before using this appliance.

SAFETY INSTRUCTIONS

1. The plug must be removed from the socket-outlet before cleaning or maintaining the appliance.
2. If the supply cord is damaged, it must be replaced by manufacturer or its service agent or a similarly qualified person in order to avoid a hazard.
3. Do not allow children to play with the appliance. Pay attention when the appliance is used by children.
4. Only use the appliance with recommended accessories by manufacturer.
5. Do not pull the power cord in order to move it.
6. Keep the cord away from sharp edges or corners and heated surfaces.
7. Do not drive the appliance over the cord.
8. Do not unplug the appliance by pulling the cord. To unplug, grasp the plug, not the cord.
9. Do not put any objects into openings; keep it free of dust, lint, hair, and anything that may prevent air flow.
10. Do not use your vacuum cleaner to suck up sharp and hard objects such as pins, stones, small toys, etc.
11. Never suck up ashes until they are cold.
12. Never suck up flammable or combustible liquid or vapors such as gasoline.
13. Keep every part of your body, such as hair, loose clothing, fingers, away from the openings.
14. The cord moves rapidly while rewound. Provide the appliance with a clear path and hold the plug when the cord is rewound onto the cord reel. Do not allow the cord to whip persons while rewound.
15. Take electrical inspection when hose is cracked or the coat of power cord is peeled off.
16. Do not allow sharp or heavy objects to stay on the power cord. If the power cord is damaged or frayed, it may cause a fire or electric shock.
17. Do not grasp the plug or appliance with wet hands.

Tips

If you can see red mark on the power cord when you pull the cord out of the appliance, you must stop pulling out the cord immediately.(Fig. 20)

OPERATING INSTRUCTIONS

Getting the vacuum cleaner ready for use

- **Connecting the hose to tank:** Insert the hose into the inlet dust and revolve it.(Fig. 4)
- **Connecting the outlet cap to valve:** Insert the outlet cap onto the valve and revolve it.(Fig. 4)
- **Connecting the extension wand to the handle:** There are 2 extension wands. Let us call the wand which has the wand holder "wand A" and the other "wand B" for convenience' sake. Connect wand B to the hose handle.
You can see the connection locker on the wand for secure joint. Spin the locker to the right. Connect wand A to wand B. Spin the locker to the same way.(Fig. 5, Fig. 6)
- **Connecting the nozzle to extension wand:** Choose an appropriate nozzle according to the purpose of your cleaning.(See "**Nozzles**" section following.)
Connect the nozzle to the extension wand.

Nozzles

- **Floor nozzle:** This nozzle is for the normal vacuum cleaning. You can use it to clean either carpets(without brush) or hard floors.
- **Spray nozzle:** This nozzle is for the shampoo cleaning. It has a nozzle which provides a floor with shampoo.

Accessories

All these accessories can be connected to either the extension wand or directly the hose handle.

- **Upholstery nozzle** is designed for cleaning upholstery, for example, furniture, curtain, etc.
- **Crevice tool** is designed for cleaning narrow space such as door slide way.(Fig. 17)
- **Dusting brush** can be used to clean places which are dusty and you hardly reach, for example, inside of the lampshade, bookshelves, ect.

Shampoo cleaning

To do the shampoo cleaning effectively, it is desirable to do the normal vacuum cleaning in advance. See "**Normal vacuum cleaning**" following behind.

Preparation

- **Remove filter bag from the appliance:** On both side of the appliance, there are clamps. Pull the clamps upwards, then you can remove the cover. If you can see filter bag inside the appliance, please remove the filter bag before shampoo cleaning.(Fig. 1)
- **Make sure that the water tank is empty** and set the cover at the original place. Push clamps to lock the cover.(Fig. 2)
- **Connect the spray nozzle** to extension wind. Spin the connection locker to the right.(Fig. 7)
- **Extract shampoo tank cap and fill up the shampoo tank.** : See "Shampoo bottle label".(Fig. 3)
- **Plug in the cord.**
- **Press the power button.**(Fig. 8)
- **Press the shampoo button.** The function of this button is to provide the spray nozzle with detergent.(Fig. 8)

Cleaning

- **Press the trigger on the handle grip** to spray detergent onto the floor.(Fig. 9)
- **Pull the nozzle on way, "towards you".**(Fig. 10)
- **Go back to the cleaned floor again without touching the floor.**
- **Pull the nozzle to the same way without pressing the trigger.**
- **After cleaning, press both buttons to turn the appliance off and unplug.**
- **You can use with frame for cleaning to the tiles.**(Fig. 11)

Tips

- Never use ordinary detergent for shampoo cleaning. Only use recommended detergent by manufacturer.
- Finishing shampoo cleaning, keep shampoo button turned on about 30 seconds to empty shampoo water out of the appliance.
- Use clean water for shampoo cleaning.
- Never turn shampoo button on with empty shampoo tank.
- After shampoo cleaning, there may be remaining water inside the appliance. Please keep the appliance in temperature above 0°C to prevent freezing. Also, you have to keep the appliance away from heat source, for example fireplace, radiator.

Liquid suction

- You can use your vacuum to clean up liquid, for example water spilled on the floor, or to clear a blocked washbasin or drain, etc.

Preparation/Cleaning

- **Disconnect extension wand or connect spray nozzle to extension wand:** You can do this function either directly with the hose handle or with the spray nozzle.
- **Remove the cloth filter from the appliance and make sure that the water tank is empty:** See "Shampoo cleaning" section given above.
- **Plug in the cord.**
- **Press the power button.**(Fig. 13)
- **Suck up liquid through the hose handle or spray nozzle.**(Fig. 12)
- **After cleaning, press the power button to turn the appliance off and unplug.**

Tips

During shampoo cleaning or liquid suction:

- When the tank is full to its maximum level, the anti-overflow safety float automatically closes the suction inlet. Then you will notice that no more liquid is sucked up. In this case, turn off and unplug the appliance. Then, disassemble it and make the water tank empty.

During shampoo washing:

- When the shampoo tank is empty, no more liquid is applied on the floor. In this case, turn off and unplug the appliance. Then, fill up the tank.

After shampoo cleaning or liquid suction:

- Let the appliance run for a moment to dry the accessory, wand and hose.
- After disassembling the appliance, rinse the inside of the water tank and leave it upside down to dry.

Normal vacuum cleaning

Preparation

- Remove the cover and check if the inside of the tank is dry and empty.(Fig. 1)
- Install a cloth filter.(Fig. 14)
- Close the cover.(Fig. 2)

Note: Never use the appliance without a cloth filter for normal vacuum cleaning.

- Connect the floor nozzle to the extension wand.(Fig. 15)

Cleaning

- Plug in the power cord and press power button.(Fig. 13)
- There is a lever on the floor nozzle. If you want to clean a hard floor, for example tiles, parquet, press one side of the lever to extract brushes at the bottom of the nozzle. If you are going to clean carpet or mats, press the other side of the lever to retract the brushed. It will help your work easy and efficient.(Fig. 16)

Tips

- **The cloth filter cleaning:** When the filter is full you will notice that no more dust is sucked up. In this case, turn off and unplug the appliance. Then, disassemble it and remove cloth filter. Then, slide the clip off and empty the filter and refit the clip. You can use cloth filter again.(Fig. 19)
- It is advisable to empty the filter whenever you remove it.
- Only use recommended cloth filter by manufacturer.
- **The exhaust filter cleaning:** Separate exhaust cover and shake the dust off. Then, wash filter in a same soapy water. Do not clean in a dish-washer or in washing machine. Remove the moisture and dry the filter sufficiently in shade for about a day.(Fig. 21)

Storage

- Turn the vacuum cleaner off.
- Remove the power plug from the wall socket.
- Rewind the mains cord by pressing the cord reel button.(Fig. 20)
- Hitch the "wand A" onto the vacuum cleaner.(Fig. 18)

TROUBLESHOOTING

- **What should you do if your appliance does not work?**
 - ➔ Check that the cable is connected and the power is available at the socket.
- **What should you do if the shampoo button is at the <ON> position but the pump no longer works when you press the trigger on the handle?**
 - ➔ It is possible that the pump's thermal security mechanism has been activated to protect the pump from overheating in case that the shampoo tank is empty or the shampoo button has remained in the <ON> position without any operation of the trigger. To check that the pump has not broken down, put the button at the <OFF> position and wait about 20 to 30 minutes until the pump cools down, then start it again. If your appliance still does not work in spite of following these instructions, contact the nearest authorized service center.

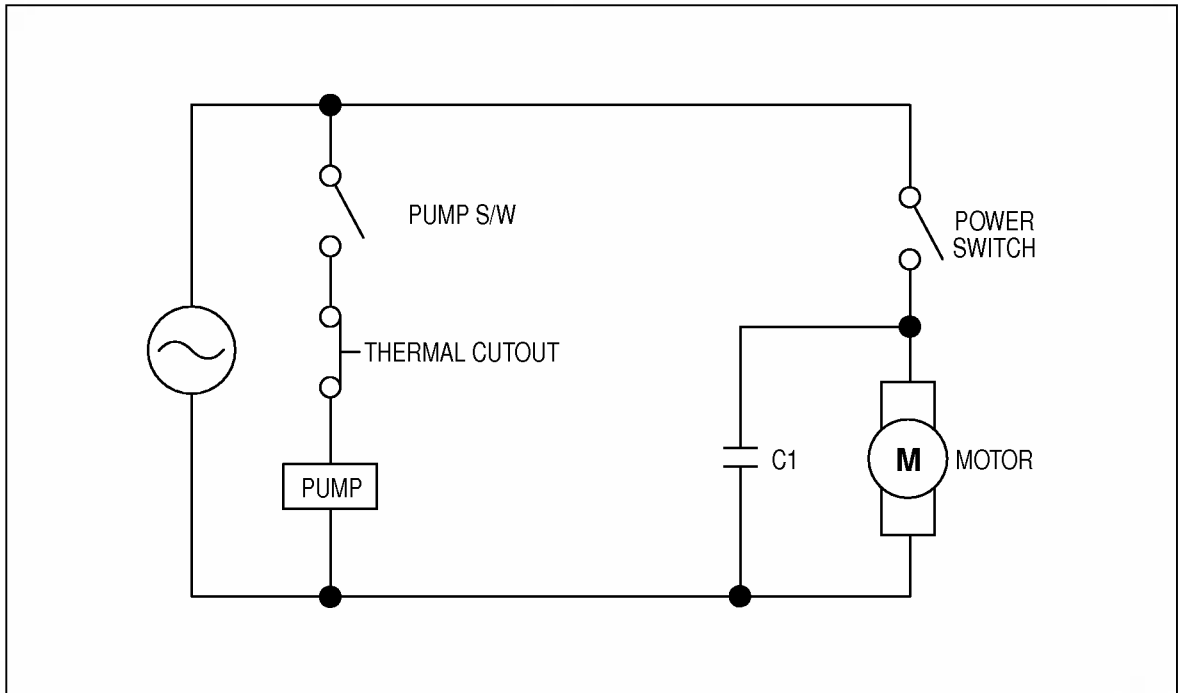
POSSIBLE SVC PARTS LIST

Description	Part Number	Remark
Body base	3040FI1410A	
Motor Assy	4681FI2429B	220V/50, 60Hz
Motor Assy	4681FI2429C	127V/60Hz
Pump Assy	5859FI2423B	220V/50, 60Hz
Pump Assy	5859FI2423C	127V/60Hz
Wheel	4660FI2400A	
Wheel Cover	3550FI3663C	
Caster	3I63019A	
Cord Reel Assy	4687FI1473D	220V/50, 60Hz
Cord Reel Assy	4687FI1473E	127V/60Hz
Body Cover	3550FI1411B	
Nipple Assy	4789FI3685A	
Control Cover	3550FI1418C	
Power Switch Button	5020FI3673C	
Cord Reel Button	5020FI3689C	
Pump Button	5020FI4330C	
Shaft	4370FI3655A	
Push Switch Assy	6601FI3149B	
Lead Wire Assy	6877FI3709A	
Packing Duct	3920FI4332A	
Motor Safety Filter	5230FI4015A	
Rear Panel	3720FI1159A	
Exhaust Cover	3550FI2399A	
Exhaust Filter	5230FI4714A	
Shampoo Tank	4838FI1334A	
Packing Valve	3820FI4682A	
Net	3700FI4683A	
Tank Cap	5006FI3680A	
Spring Valve	4970FI4676B	
Packing Cap	3920FI4671A	
Shampoo Tank Cap	5006FI3578C	
Dirty Water Tank	4838FI1394A	
Inlet Dust	5236FI2396C	
Supporter Filter	4980FI2397A	
Filter Setting Hook	4480FI4687A	
Packing Plate	3920FI4224A	

POSSIBLE SVC PARTS LIST

Description	Part Number	Remark
Packing Plate [Rear]	3920FI4700A	
Top Cover	3550FI1417C	
Inner Cover	3550FI1126A	
Indicator Assy	3520FI3277A	
Air Guide	5238FI3751A	
Packing Cushion	3920FI4719A	
Handle Upper	3650FI1127C	
Handle Lower	3650FI2395C	
Clamp Left	4860FI3679C	
Clamp Right	4860FI3678C	
Cord Reel Assy	4687FI1367C	
Guide Buoy	4974FI2394A	
Float Assy	4769FI4720A	
Packing Seal	3920FI3162A	
Packing Seal	3920FI3162B	
Packing Seal	3920FI3162C	
Dust Seal Packing	3920FI3534D	
Flexible Hose Assy	5215FI1303A	
Wand Assy Sub	5063FI1419A	
Wand holder	4930FI2082A	
Floor Nozzle	5249FI2182D	
Spray Nozzle	5249FI2438A	
Upholstry Nozzle	5249FI3690A	
Crevice Tool	5058FI3345A	
Shampoo Buttle Assy	5077FI3722C	
Cloth Filter Assy	5231FI2389A	

PRINTED CIRCUIT BOARD

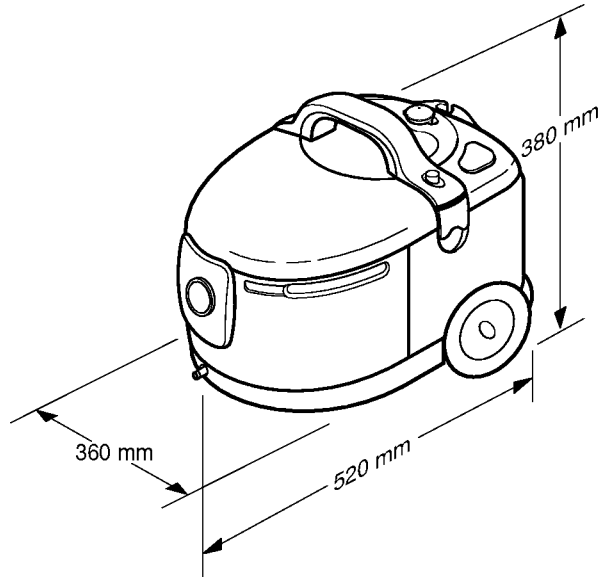


SERVICE CENTER

For service, please contact our authorized service center listed below.

Area	Telephone Number	Fax. Number
Jeddah	(02)629 2929 ext. 310	(02) 629 1121
Jeddah	(02) 663 2325 ext. 343	(02) 665 2837
Riyadh	(01) 461 5559	(01) 463 3126
Al-Khobar	(03) 857 2929	(03) 857 7643

SPECIFICATION



- **POWER** : IEC - 1200W
MAX - 1400W
- **CURRENT** : 6.5A / 11A
- **FREQUENCY** : 50, 60Hz
- **VOLTAGE** : 127V / 220V
- **CAPACITY** : WATER 8.0 ℓ , DRY 6.5 ℓ
- **CORD LENGTH** : ACW 5m / 6m
- **HOSE LENGTH** : 2m
- **PACKING WEIGHT** : 15.6kg
- **NET DIMENSION** : 360 × 520 × 380(W × D × H)mm
- **PACKING DIMENSION** : 403 × 526 × 525(W × D × H)mm
- **ATTACHMENTS**
 - HOSE(With shampoo hose) 1EA
 - PLASTIC PIPE(With shampoo pipe) 2EA
 - FLOOR NOZZLE 1EA
 - SPRAY NOZZLE 1EA
 - CREVICE TOOL 1EA
 - CLOTH BAG ASSY(OPTION) 1EA
 - DUSTING BRUSH 1EA
 - UPHOLSTERY NOZZLE 1EA
 - SHAMPOO BOTTLE 1EA
- This specifications are subject to change according to the buyer's request.

● Serial Number

How to read Serial Number.

: There is attached a Serial Number label on back side of this product.

Example) 9 0 2 K B 0 0 0 0 1

Serial No.
PRODUCT CODE.
MANUFACTURED MONTH.
MANUFACTURED YEAR(LAST DIGITAL).