



CD CASSETTE RECORDER OWNER'S MANUAL

**MODEL: CD-371A/AX/S
CD-372A/AX/S
CD-376A/AX/S
CD-377A/AX/S**





**Please read this manual carefully before operating
your set.**

Retain it for future reference.

**Designs and specifications are subject to change
without notice for improvement.**



Precautions

	CAUTION RISK OF ELECTRIC SHOCK DO NOT OPEN	
<p>CAUTION: TO REDUCE THE RISK OF ELECTRIC SHOCK DO NOT REMOVE COVER (OR BACK) NO USER SERVICEABLE PARTS INSIDE. REFER SERVICING TO QUALIFIED SERVICE PERSONNEL.</p>		

Explanation Graphical Symbols:



The lightning flash with arrowhead symbol, within an equilateral triangle is intended to alert the user to the presence of uninsulated dangerous voltage within the product's enclosure that may be of sufficient magnitude to constitute a risk of electric shock to persons.



The exclamation point within an equilateral triangle is intended to alert the user to the presence of important operating and maintenance (servicing) instructions in the literature accompanying the appliance.

WARNING

TO REDUCE THE RISK OF FIRE OF ELECTRIC SHOCK, DO NOT EXPOSE THIS APPLIANCE TO RAIN OR MOISTURE. To avoid electrical shock, do not open the cabinet, Refer servicing to qualified personnel only.

The apparatus shall not be exposed to dripping or splashing and that no objects filled with liquids, such as vases, shall be placed on the apparatus.

CAUTION

Use of controls or adjustments or performance of procedures other than those specified herein may result in hazardous radiation exposure.

Laser component in this product is capable of emitting radiation exceeding the limit for Class 1.

CAUTION: INVISIBLE LASER RADIATION WHEN OPEN AND INTERLOCKS DEFEATED. AVOID EXPOSURE TO BEAM.

WARNING: OSYNLIG LASERSTRÅLNING NÄR DENNA DEL ÄR ÖPPNAD STRÅLEN ÄR FARLIG.

Attention: Quand l'appareil est ouvert, ne pas s'exposer aux radiations invisibles du faisceau laser.

This label is located on the interior.

CLASS 1	LASER PRODUCT
KLASSE 1	LASER PRODUKT
LUOKAN 1	LASER LAITE
KLASS 1	LASER APPARAT
CLASSE 1	PRODUIT LASER

This Compact Disc player is classified as a CLASS 1 LASER product.

The CLASS 1 LASER PRODUCT label is located on the exterior.

This product is manufactured to comply with the radio interference requirements of EEC DIRECTIVE 89/336/EEC, 93/68/EEC and 73/23/EEC.

Do not install this equipment in a confined space such as a book case or similar unit.

Table of Contents

INTRODUCTION

Precautions /Table of Contents	2
Before Use	3
Safety Precautions	3
Notes on Discs	3
Notes on Tapes	3
Up Panel/Front Panel	4
Rear Panel/Display Window	5
Remote Control	5

OPERATION

Power Source	6
The AC Power Cord Connection	6
Adjusting the voltage (OPTIONAL)	6
Battery Installation	6
Audio Adjustment	6
Volume Adjustment, UBB/EQ Adjustment	6
Radio Operation	7
Presetting the radio stations	7
Listening to the radio	7

Tape Operation	7
Basic Playback	7
To Pause Play	7
To Stop Play	7
To Play Rewind or Fast Forward	7
CD Operation	8
Basic Playback Setup	8
To Pause Play	8
To Stop Play	8
To Skip a Track	8
To Search a Track	8
To Repeat Play	8
Program Play Setup	8
Setting the CLOCK	9
SLEEP Function	9
Other Function	9
Setting the TIMER	10
Recording	10
Basic Recording	10
CD Synchronized Recording	10

REFERENCE

Specifications	11
----------------	----

Before Use

Safety Precautions

Handling the unit

When shipping the unit

The original shipping carton and packing materials come in handy. For maximum protection, re-pack the unit as it was originally packed at the factory.

To keep the surface clean

Do not use volatile liquids, such as insecticide spray, near the unit. Do not leave rubber or plastic products in contact with the unit for a long period of time. They will leave marks on the surface.

Cleaning the unit

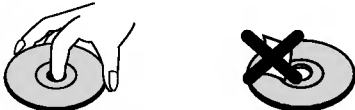
To clean the cabinet

Use a soft, dry cloth. If the surfaces are extremely dirty, use a soft cloth lightly moistened with a mild detergent solution. Do not use strong solvents, such as alcohol, benzine, or thinner, as these might damage the surface of the unit.

Notes on Discs

Handling discs

Do not touch the playback side of the disc.
Hold the disc by the edges so that fingerprints will not get on the surface.
Do not stick paper or tape on the disc.



Storing discs

After playing, store the disc in its case.
Do not expose the disc to direct sunlight or sources of heat, or leave it in a parked car exposed to direct sunlight, as there may be a considerable temperature increase inside the car.

Cleaning discs

Fingerprints and dust on the disc can cause poor picture quality and sound distortion. Before playing, clean the disc with a clean cloth. Wipe the disc from the center out.

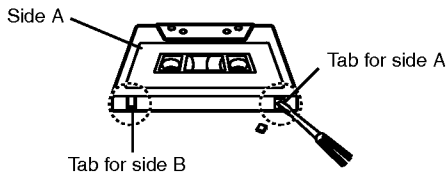


Do not use strong solvents such as alcohol, benzine, thinner, commercially available cleaners, or anti-static spray intended for analog records.

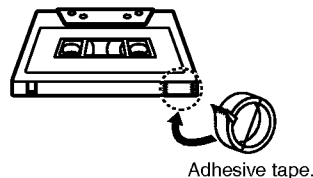
Notes on Tapes

Preventing record

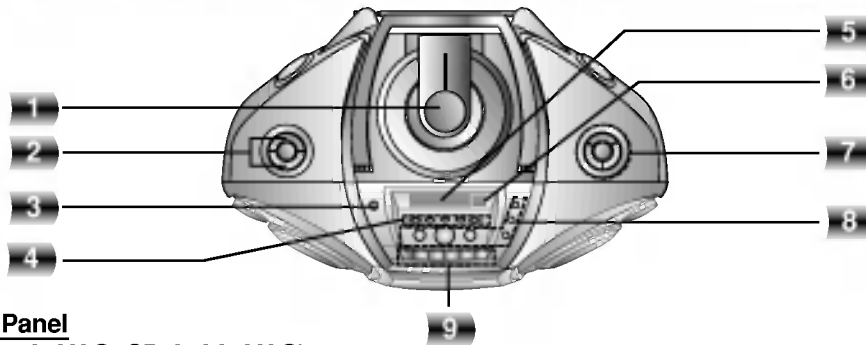
Removing the tab(s) of the cassette (with a small screwdriver) will prevent accidental erasure.



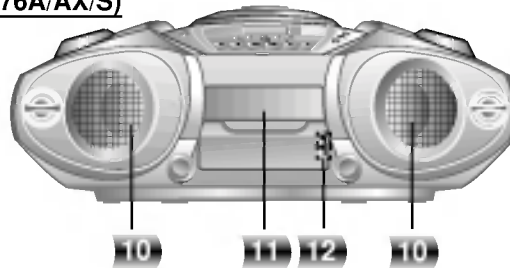
To record again, cover the hole of the tab with adhesive tape.



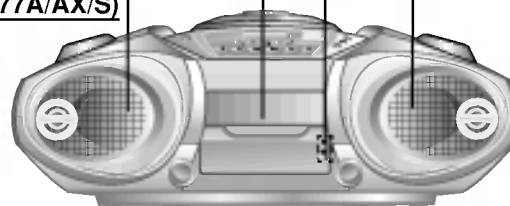
Up Panel/Front Panel



Front Panel (CD-371A/AX/S, CD-376A/AX/S)



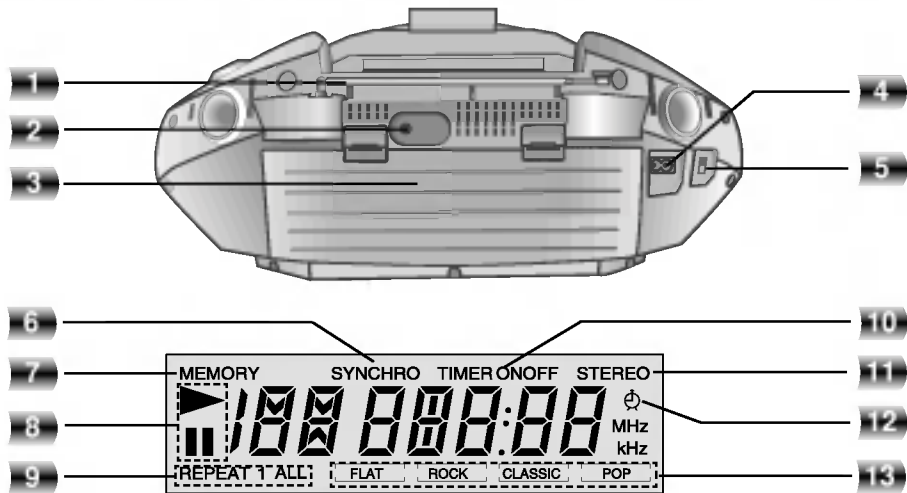
Front Panel (CD-372A/AX/S, CD-377A/AX/S)



- | | |
|--|--|
| <ol style="list-style-type: none"> 1. CD DOOR 2. VOLUME CONTROL (▲/▼) buttons 3. POWER button 4. CD FUNCTION buttons <ul style="list-style-type: none"> • MODE/RIF button • CD PLAY/PAUSE (▶/) button • CD SKIP/SEARCH (◀◀◀/▶▶▶) buttons • TUNING/TIME (-/+) buttons • CD STOP (■ STOP) button 5. DISPLAY WINDOW indicator 6. REMOTE SENSOR 7. FUNCTION SELECT buttons <ul style="list-style-type: none"> • CD button • TAPE button • TUNER/BAND button | <ol style="list-style-type: none"> 8. <ul style="list-style-type: none"> • PRESET (▼/▲) buttons • UBB button • CLOCK button • TIMER button • SET/MEMORY/PROGRAM button 9. TAPE FUNCTION buttons <ul style="list-style-type: none"> • RECORD (●) button • TAPE PLAY (◀) button • TAPE BACKWARD PLAY (▶) button - (CD-376A/AX/S, CD-377A/AX/S model) • REWIND (▶▶) button • FAST FORWARD (◀◀) button • TAPE STOP (■)/ TAPE DOOR OPEN (▲) button • TAPE PAUSE () button 10. LEFT/RIGHT SPEAKER 11. TAPE DOOR 12. <ul style="list-style-type: none"> • PLAY SIDE SWITCH [DIR ↔] : CD-376A/AX/S, CD-377A/AX/S model • PLAY DIRECTION SWITCH [↔ / ↔] : CD-376A/AX/S, CD-377A/AX/S model |
|--|--|

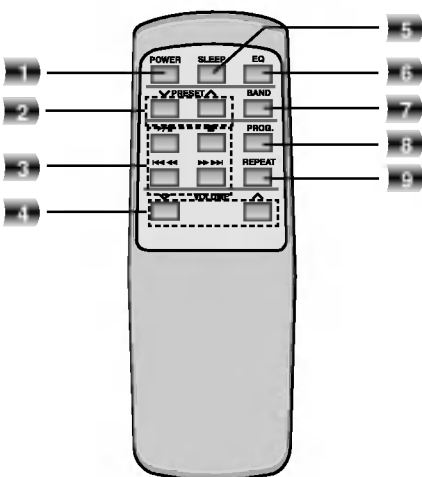


Rear Panel/Display Window



- | | |
|-----------------------------------|-----------------------------|
| 1. FM ANTENNA | 8. CD PLAY/PAUSE indicator |
| 2. HEADPHONE SOCKET (🎧): Ø3.5mm | 9. CD REPEAT PLAY indicator |
| 3. BATTERY COMPARTMENT | 10. TIMER ON/OFF indicator |
| 4. AC POWER INPUT SOCKET | 11. STEREO indicator |
| 5. VOLTAGE SELECTOR (OPTIONAL) | 12. SLEEP indicator |
| 6. CD SYNCHRO RECORDING indicator | 13. EQUALIZER indicator |
| 7. MEMORY indicator | |

Remote Control



1. POWER button
2. PRESET (∧∨) button
3. CD FUNCTION buttons
 - CD PLAY/PAUSE (▶/||) button
 - CD STOP (■) button
 - CD SKIP/SEARCH (◀◀◀ / ▶▶▶) button
4. VOLUME CONTROL (∧∨) buttons
5. SLEEP button
6. EQUALIZER (EQ) button
7. BAND button
8. PROG. button
9. CD REPEAT button

Power Source

The AC Power Cord Connection

- 1 Before connecting the AC power cord, check that the operating voltage of your unit is identical with the voltage of your local power supplied.
- 2 Connect one end of the AC power cord (supplied) to the AC IN socket located at the backside of your unit.
- 3 Plug the other end into the wall outlet.



Note

Unplug the AC power cord from the wall outlet if you do not to use for an extended period of time.

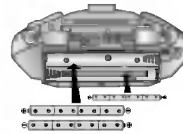
Adjusting the voltage (OPTIONAL)

If your unit is equipped with a voltage selector at the back side, be sure to set it to your local power supplied before connecting the AC power cord.

Battery Installation

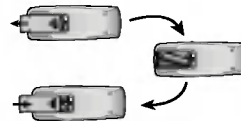
UNIT

- 1 Press and open the battery cover.
- 2 Put eight "D" (R20) batteries and four "AA" (R6) batteries into the compartment making sure the \oplus and \ominus are correctly positioned.
- 3 Replace the battery cover.



Remote Control

- 1 Press and open the battery cover.
- 2 Put two "AAA" (R03) batteries into the compartment.
- 3 Replace the battery cover.



Note

- To avoid damage from possible battery leakage, remove the batteries if you do not plan to use the unit for an extended period of time.
- When the batteries are weak, replace all the batteries with new ones.
- During the AC power cord connect to the wall outlet, the batteries are not worn out.

Audio Adjustment

Volume Adjustment

Press **VOLUME CONTROL** (Unit: \blacktriangle , Remote control: \blacktriangle) to increase the sound level, or press the **VOLUME CONTROL** (Unit: \blacktriangledown , Remote control: \blacktriangledown) to decrease it.

UBB / EQ Adjustment

UBB

Repeatedly press **UBB** to select one of two sound effect for emphasizing the bass sound.

- The UBB indicator will light up.

EQ

Repeatedly press **EQUALIZER (EQ)** to select one of four sound effect (FLAT, ROCK, CLASSIC, POP). The EQ indicator will be shown in the display.



Radio Operation

You can preset 30 stations for FM and AM. Before tuning, make sure that you have turned down the volume to the minimum.

Presetting the radio stations

- 1** Press TUNER/BAND (unit) or BAND (remote control) to select radio function.
- 2** Select a station you want by pressing TUNING (- / +) buttons.
Tuning in manually
 Press TUNING (- / +) briefly and repeatedly.
Tuning in automatically
 Press TUNING (- / +) for more than 1 seconds.
 - Scanning stops when the unit tunes in a stations.
- 3** Press MEMORY.
 A preset number will flash in the display window.
- 4** Press PRESET (▼/▲) [unit] or PRESET (▼/▲) [remote control] to select the preset number you want.
- 5** Press MEMORY again.
 The station is stored.
- 6** Repeat steps 1 (or 2) to 6 to store other stations.

To delete all the memorized stations

Press and hold MEMORY on the front panel for about two seconds, "DEL" appears in the display window and then press MEMORY again, the stations are deleted.

To recall presets

Press PRESET (▼/▲) [unit] or PRESET (▼/▲) [remote control] until the desired preset number appears or press it repeatedly.

Listening to the radio

- 1** Follow steps 1-2 as left side.
- 2** Adjust the volume by pressing VOLUME CONTROL (▲/▼) buttons [unit] or VOLUME (▼/▲) [remote control].

To turn off the radio

Press POWER to turn the unit off or select another function mode (CD, TAPE).

For your reference

- If an FM stereo broadcast is noisy
 Press MODE/RIF so that "STEREO" disappears in the display window., but the reception will improve.
 Press MODE/RIF again to restore the stereo effect.

Notes

Adjust the antenna to get more clear reception.

- **AM antenna**
 This antenna is built within the unit and rotate the unit for better reception.
- **FM antenna**
 Pull the telescopic antenna out and adjust the angle and direction for better reception.

Tape Operation

Basic Playback

- 1** Press TAPE button to select tape function.
 "TAPE" appears in the display window.
- 2** Open the cassette door by pressing TAPE DOOR OPEN (▲) button.
- 3** Insert a cassette and close the TAPE door.
- 4** Press TAPE PLAY (▶) [or TAPE BACKWARD PLAY (◀) (CD-376A/AX/S, CD-377A/AX/S model)] button.

To Pause Play

Press TAPE PAUSE (II) button to pause. Press the button again to resume play.

To Stop Play

Press TAPE STOP (■) button to stop play.

To Play Rewind or Fast Forward

After pressing REWIND/ FAST FORWARD (▶▶ / ◀◀) button during playback, press TAPE PLAY (▶) at the point you want.

AUTO STOP (CD-371A/AX/S, CD-372A/AX/S model)

After auto stop deck plays only front side, the unit stops automatically.

AUTO REVERSE (CD-376A/AX/S, CD-377A/AX/S model)

Both sides of a cassette are played and stops automatically at the end of the tape or continuously.

To change the playback side

Press DIR (↔) during playback.

To select play direction

- Set to the ◀ by pressing PLAY DIRECTION SWITCH.
 - Both sides of a cassette are played and stopped automatically at the end of tape.
- Set to the ▶ by pressing PLAY DIRECTION SWITCH.
 - Both sides of a cassette are played continuously.

CD Operation

Basic Playback Setup

- 1 Press CD button to select CD function.
- 2 Press CD DOOR to open the disc compartment.
- 3 Load a disc with the printed side facing up and Close the disc compartment.
- 4 Press CD PLAY/PAUSE (▶/||) button to begin play.
The total track number will be shown in the display.

To Pause Play

Press CD PLAY/PAUSE (▶/||) button to pause during playback.

When a track is paused, "II" will flash in the display. Press CD PLAY/PAUSE (▶/||) button again to resume play.

To Stop Play

Press CD STOP (■ STOP or ■) button during playback.

To Skip a Track

- Press CD SKIP/SEARCH (▶▶▶▶) button to go to the next track.
- When CD SKIP/SEARCH (◀◀◀◀) button is pressed once midway through a track, the player returns to the start of that track. When it is pressed again, a track is skipped each time the button is pressed.

To Search a Track

After pressing and holding CD SKIP/SEARCH (◀◀◀◀, ▶▶▶▶) button during playback, press CD PLAY/PAUSE (▶/||) button at the point you want.

To Repeat Play

To play one track repeatedly

Press REPEAT button once during playback.
- "REPEAT 1" appears in the display.

To play all tracks repeatedly

Press REPEAT button again during playback.
- "REPEAT ALL" appears in the display.

To cancel repeat play

Press REPEAT button once more during playback.
- Repeat indicator disappears.

Program Play Setup

You can arrange the order of the tracks on the discs and create your own program. The program can contain up to 20 tracks.

- 1 Press PROGRAM (or PROG. on the remote control) on the stop mode.
- 2 Press CD SKIP/SEARCH (◀◀◀◀, ▶▶▶▶) buttons to select the track.
- 3 Press PROGRAM (or PROG. on the remote control).
- 4 Repeat 2~3.
- 5 Press CD PLAY/ PAUSE (▶/||).

To check program contents

Press PROGRAM (or PROG. on the remote control) on the stop mode.

- The disc, track and program number will be displayed.

To clear program contents

Press PROGRAM (or PROG. on the remote control) on the stop mode. And then press CLEAR on the front panel or CD STOP(■) on the remote control.

To add program contents

1. Press PROGRAM (or PROG. on the remote control) repeatedly on the program stop mode until "Track Number" blinks.
2. Repeat 2~5 on above.

To modify program contents

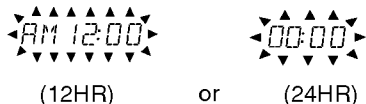
1. Press the PROGRAM (or PROG. on the remote control) to display program number you want to modify.
2. Repeat 2~4 on above.



Setting the CLOCK

1 Press **CLOCK**.
(If the clock requires setting, press and hold **CLOCK** for more than 2 seconds.)

2 Select a 24 hour cycle or 12 hour cycle by pressing **TIME (-/+)**.



3 Press **SET** to confirm the selected hour cycle.

4 Use **TIME (-/+)** to set the correct hours.

5 Press **SET**.

6 Use **TIME (-/+)** to set the correct minutes.

7 Press **SET** and the correct time is shown on the display.

8 Press **CLOCK** at any time to display the time for about 3 seconds.

SLEEP Function

When the sleep timer is used, the power is automatically turned off after the specified time has elapsed.

1 To specify the time delay before the power is turned off, press **SLEEP**.

In the display window you can see "90 SLEEP" for about 5 seconds. This means that the system turns off automatically after 90 minutes.

Each time the button is pressed the time interval before it turns off is reduced by 10 minutes. i.e. 80...70... etc.

Select the desired time to turn off.

Note

If you press **SLEEP** while the sleep time is displayed, the SLEEP time is reset.

To cancel the sleep timer mode

If you wish to stop the function, press the **SLEEP** button repeatedly until 10 SLEEP appears, and then press **SLEEP** once again while 10 SLEEP is displayed.

2 To check the remaining time until the power is turned off.

While the sleep function is active press **SLEEP** briefly. The time remaining until it turns off is displayed for about 5 seconds.

Other Function

Auto Function Select

- If you press **CD PLAY/ PAUSE (▶/||)** during listen to the radio, CD playback will begin.
- If you press **PRESET (^, v)** or **BAND** during CD or CASSETTE play, radio function will work.

Headphone Socket

- Connect a stereo headphone plug (ø 3.5mm) into the headphone jack.
- The speakers are automatically disconnected when you plug in the headphones (not supplied).

Setting the TIMER

- This function is automatically turned on and off at the time you want.
- Select your desired radio station or press CD and load a disc.

1 Press **CLOCK** to check the current time.

For your reference

If you don't set clock, timer function doesn't work.

2 Press **TIMER** to enter the timer setting mode.
"TIMER ON" appears in the display window.
"TUN-Cd" flashes in the display window in turn.

3 Press **SET** when the desired function is flashing.

4 Set the hour to switch on by pressing **TIME (-/+)**.

5 Press **SET** to confirm the hour to switch on.

6 Set the minute to switch on by pressing **TIME (-/+)**.

7 Press **SET** to confirm the minute to switch on.
"TIMER OFF" indicator appears in the display window.

8 Set the hour to switch off by pressing **TIME (-/+)**.

9 Press **SET** to confirm the hour to switch off.

10 Set the minute to switch off by pressing **TIME (-/+)**.

11 Press **SET**.

12 Adjust the volume level by pressing **TIME (-/+)**.

13 Press **SET**.
"TIMER" appears in the display window and the timer setting has been completed.

14 Switch the system off.
The selected function is automatically switched on and off at the time set.

To cancel or check the timer

Each time the **TIMER** button is pressed you can select the timer set or cancel. You can also check the timer setting status.

To activate or check the timer, press the **TIMER** button so that "TIMER" appears in the display window. To cancel the **TIMER**, press the **TIMER** button so that "TIMER" disappears in the display window.

Note

The unit can also set the clock function in power off state.

Recording

Wind the tape to the point recording starts. (Use only normal tapes.)

Basic Recording

1 Select a function (**TUNER** or **CD**) you want to record.

2 Insert a blank tape.

3 Press **RECORD (●)** button.
TAPE PLAY (◀) button is pressed automatically.

4 Start playing your **CD** or **TUNER (RADIO)**.

CD Synchronized Recording

This feature automatically records an entire CD into a cassette.

1 Follow steps 1-2 as "Basic Recording".

2 Play the CD disc and set to the CD pause condition.

3 Press **RECORD (●)** button.
TAPE PLAY (◀) button is pressed automatically.

4 The synchronized recording is started automatically after about 7 seconds.

To pause recording

Press **TAPE PAUSE (||)** button. Press **TAPE PAUSE (||)** button again to resume recording.

To stop recording

Press **TAPE STOP (■)** button.
(Your cassette deck will automatically stop at the end of the tape.)

Notes

- If you wish to record from the desired track, select the desired track with **CD SKIP/SEARCH (◀◀◀, ▶▶▶)** button before commencing CD recording.

Specifications

SECTION		MODEL	CD-371/372/376/377A	CD-371/372/376/377S
[General]		Power supply	Refer to the back panel of the unit.	
		Power consumption	20W	
		Mass	2.75kg	
		External dimensions (W x H x D)	500 x 191 x 317 mm	
		Output Power	4.5W X 2	
		Speakers	3.2Ω X 2	
		Battery Operation	DC 12V, eight "D"(R20) batteries (not supplied)	
[CD]		Frequency response	100 - 18000 Hz	
		Signal-to-noise ratio	59 dB	
		T.H.D	0.7 %	
[Tuner]	FM	Tuning Range	87.5 -108 MHz	65 -108 MHz
		Intermediate Frequency	10.7 MHz	
		Antenna	Telescopic antenna	
	AM (MW)	Tuning Range	522 - 1611 kHz or 530 - 1610 kHz	
		Intermediate Frequency	450 kHz	
		Antenna	Ferrite bar antenna	
	SW (optional)	Tuning Range	5800 - 18000 kHz	
		Intermediate Frequency	450 kHz	
		Antenna	Telescopic antenna	
[TAPE]		Recording System	4 Tracks 2 channel stereo	
		Frequency Response	125 - 8000Hz	
		Signal to Noise Ratio	40/45dB (REC/PLAY)	

REFERENCE

* Designs and specifications are subject to change without notice.



P/NO : 3828R-A063J