



REFRIGERATOR- FREEZER OWNER'S MANUAL

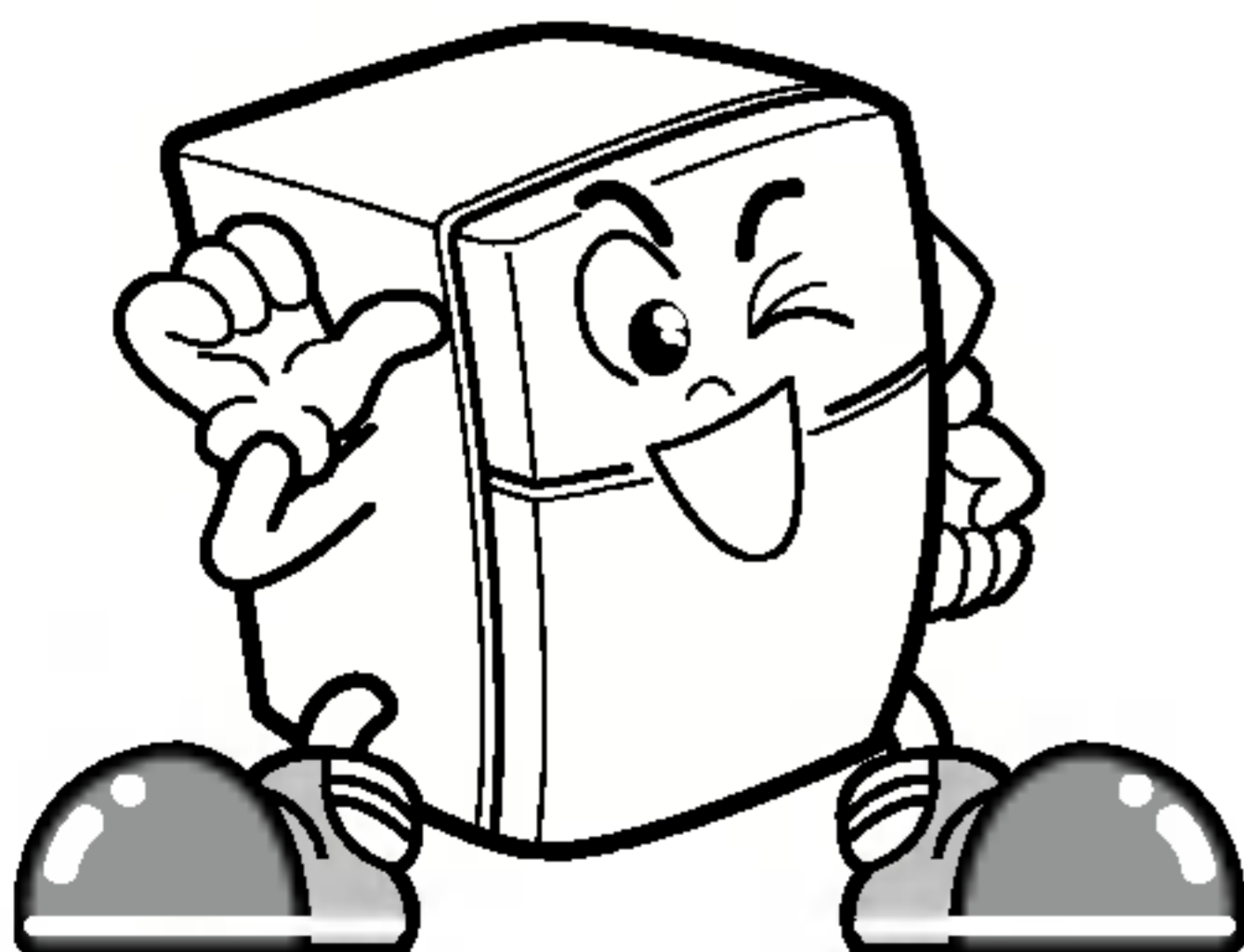
PLEASE
READ THIS OWNER'S MANUAL THOROUGHLY
BEFORE OPERATING AND KEEP IT HANDY
FOR REFERENCE AT ALL TIMES.

ΨΥΓΕΙΟΚΑΤΑΨΥΚΤΗΣ ΟΔΗΓΙΕΣ ΧΡΗΣΕΩΣ

ΠΑΡΑΚΑΛΟΥΜΕ ΔΙΑΒΑΣΤΕ ΠΡΟΣΕΚΤΙΚΑ ΑΥΤΟ
ΤΟ ΕΓΧΕΙΡΙΔΙΟ ΟΔΗΓΙΩΝ ΧΡΗΣΕΩΣ ΠΡΙΝ
ΑΡΧΙΣΕΤΕ ΝΑ ΧΡΗΣΙΜΟΠΟΙΕΙΤΕ ΤΗ ΣΥΣΚΕΥΗ
ΣΑΣ ΚΑΙ ΦΥΛΑΞΤΕ ΤΟ ΣΕ ΒΟΛΙΚΟ ΜΕΡΟΣ ΓΙΑ
ΝΑ ΤΟ ΣΥΜΒΟΥΛΕΥΕΣΤΕ ΟΠΟΤΕ ΧΡΕΙΑΣΤΕΙ.

CONTENTS

INSTALLATION	3
INNER PARTS	4
OPERATIONS	5-8
Starting	
Lamp Auto-Off Feature	
Before Setting The Temperature	
Door Alarm	
Self Test	
Controls For Refrigerator Compartment	
Super Cool	
Child Lock	
Controls For Freezer Compartment	
Ice Beam Door Cooling	
Ice Making (Optional)	
Fresh Zone (Optional)	
Defrosting	
Deodorizer (Optional)	
Dairy Conner	
Vitamin Vegetable drawer (Optional)	
SUGGESTIONS ON FOOD STORAGE	10
CLEANING	11
GENERAL INFORMATION	11
LAMP REPLACEMENT	12
IMPORTANT WARNINGS	12
BEFORE CALLING FOR SERVICE	13





THIS REFRIGERATOR IS MANUFACTURED WITH GREAT CARE, AND UTILIZES THE LATEST IN TECHNOLOGY.

WE ARE CONFIDENT THAT YOU WILL BE FULLY SATISFIED WITH IT'S PERFORMANCE AND RELIABILITY.

BEFORE YOU START YOUR REFRIGERATOR, PLEASE READ THIS BOOKLET CAREFULLY. IT PROVIDES EXACT INSTRUCTIONS FOR INSTALLATION, OPERATION AND MAINTENANCE, AND ALSO SUPPLIES SOME USEFUL HINTS.

INSTALLATION

1. Select a good location.
Place your refrigerator where it is easy to use.
2. Avoid placing the unit near heat sources, direct sunlight or moisture.
3. There must be proper air circulation around your refrigerator to keep it operating efficiently. If your refrigerator is placed in a recessed area in the wall, allow at least 10 inches or greater clearance above the refrigerator and 2 inches or more from the wall.
The refrigerator should be elevated 1 inch from the floor, especially if it is carpeted.
4. To avoid vibrations, the unit must be level. If required, adjust the leveling screws to compensate for unevenness of the floor. The front should be slightly higher than the rear to aid in door closing.
Leveling screws can be turned easily by tipping the cabinet slightly.
Turn the leveling screws clockwise() to raise the unit, counterclockwise() to lower it.
5. Don't install this appliance below 5 °C. It may cause the debasement of the refrigerator.

NEXT

1. Clean your refrigerator thoroughly and wipe off all dust accumulated during shipping.
2. Install accessories such as ice cube box, etc., in their proper places. They are packed together to prevent possible damage during shipment.
3. You have a model with bar-type handle, assemble the handle according to instruction card.
4. Connect the power supply cord (or plug) to the outlet. Don't double up with other appliances on the same outlet.
5. Prior to storing food, leave your refrigerator on for 2 or 3 hours.
Check the flow of cold air in the freezer compartment to ensure proper cooling.
Your refrigerator is now ready for use.

INNER PARTS

FREEZER COMPARTMENT

Lamp

Shelf

Twisting Ice Serve(Optional)
or
General Type Ice Making (Optional)

REFRIGERATOR COMPARTMENT

Deodorizer (Optional)

Fresh Zone (Optional)

Lamp

Shelves (Plastic or Steel or Tempered Glass)

Vitamin Vegetable drawer (Optional)

Freezer Temperature Control Dial

Freezer Door Rack

Egg Storage Rack

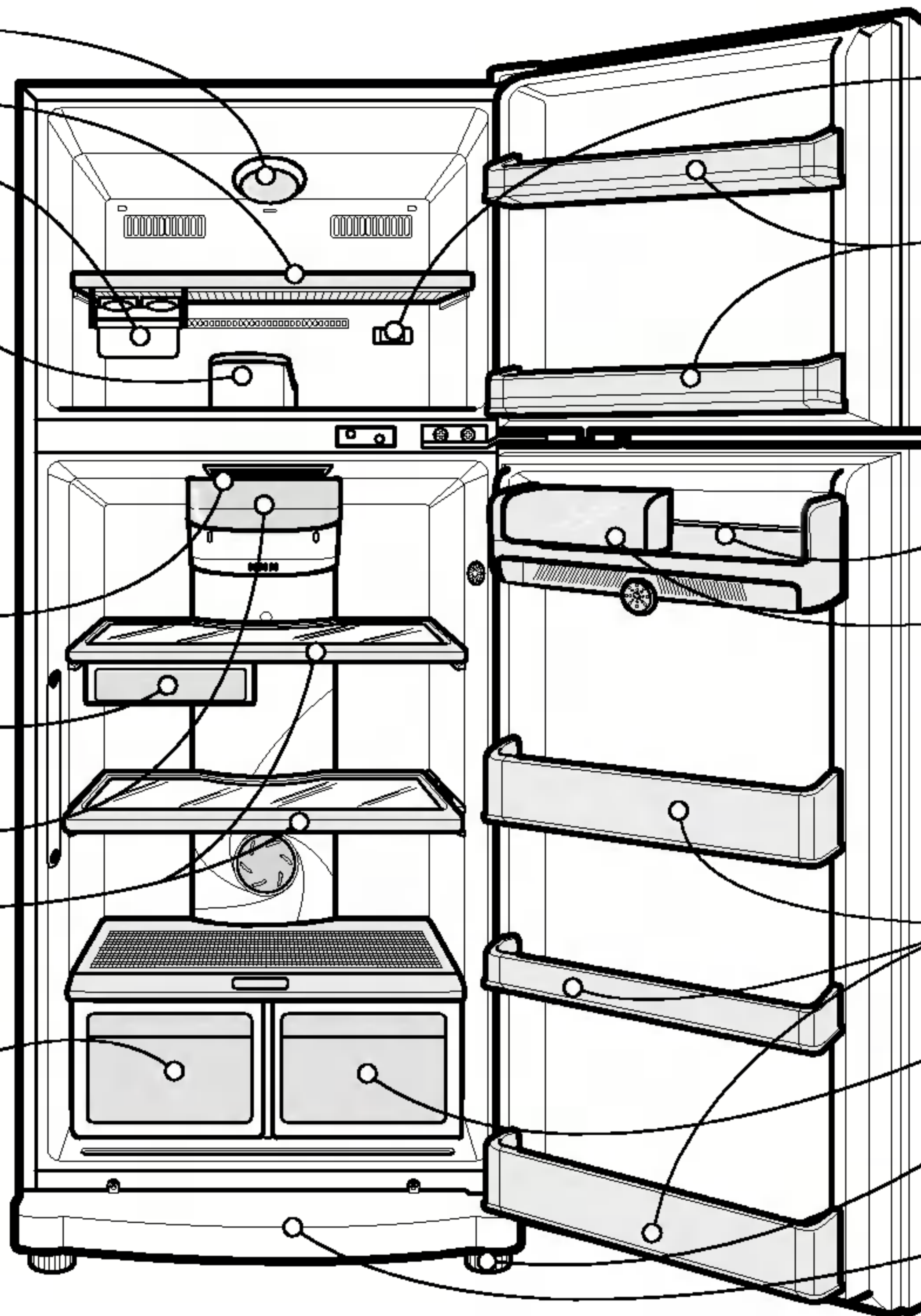
Dairy conner

Refrigerator Door Rack

Vegetable drawer

Leveling Screw

Base Cover



NOTE

- This guide covers several different models. The refrigerator you have purchased may have some or all of the features shown above.

OPERATIONS

STARTING

When your refrigerator is first installed, allow it 2-3 hours to stabilize at normal operating temperatures prior to filling it with fresh or frozen foods.

If operation is interrupted, wait 5 minutes before restarting.

LAMP AUTO OFF FEATURE

When the door is open for 7 minutes or longer, the lamp inside goes off automatically to save energy and prevent overheating. However, the alarm sound continues until the door is closed.

BEFORE SETTING THE TEMPERATURE

- The temperature of the refrigerator is kept constant regardless of changes in room temperature. It is recommended that, once set, the temperature settings (the controls for the refrigerator and freezer compartments) not be changed unless necessary.
- This refrigerator has one temperature control button for the refrigerator compartment and one temperature control dial for the freezer compartment.
- The default setting of the temperature control button for the refrigerator compartment is 'Normal'.
- The default setting of the temperature control dial for the freezer compartment is '3'.
- This refrigerator has a temperature sensor in the refrigerator compartment. It will start and stop the compressor automatically as needed.

DOOR ALARM

When the door of the refrigerator or the freezer is open for 1 minute, an alarm will sound three. If the door remains open, the alarm will repeat every 30 seconds.

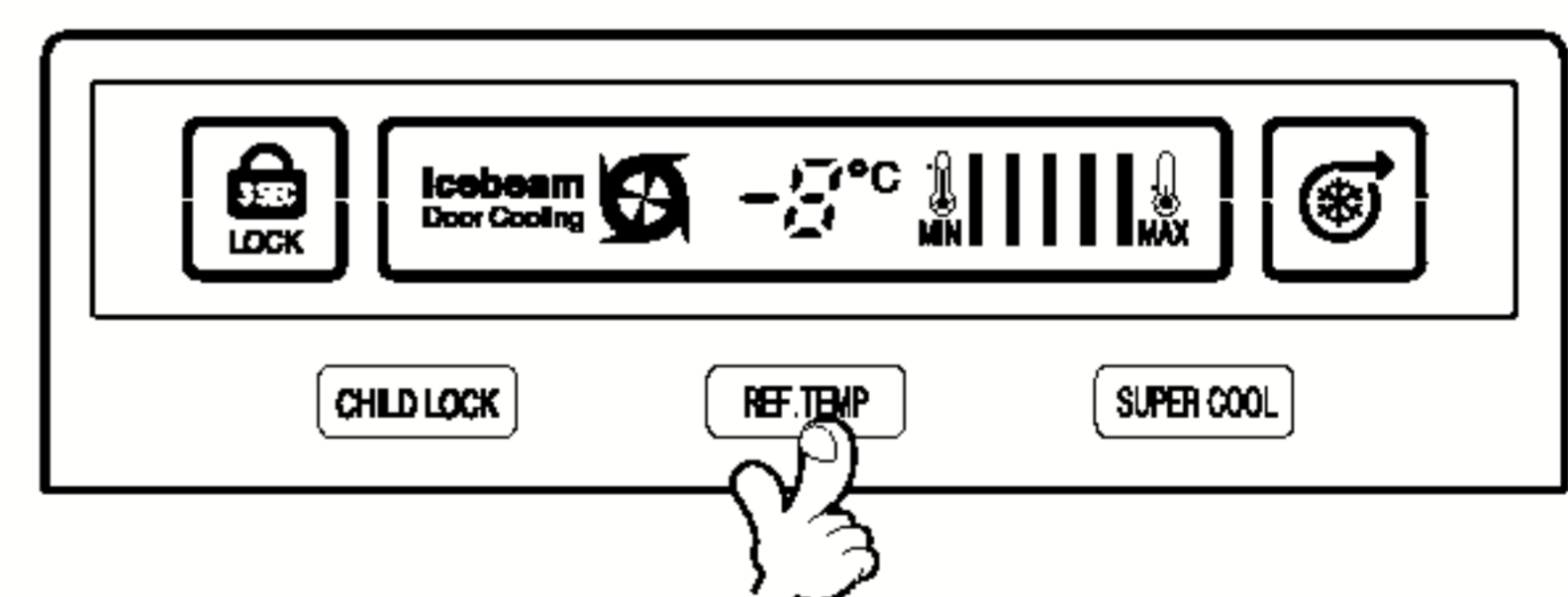
SELF TEST

- Your refrigerator contains a built in diagnostic capability. If it develops a malfunction in certain areas, it will display an error code to assist the repair technician. While an error code is displayed, other control and display functions will not operate.
- If an error code is displayed, contact a service center. Do not disconnect the power cord from the outlet.

CONTROLS FOR REFRIGERATOR COMPARTMENT

To control the Refrigerator temperature, press the REF TEMP button.

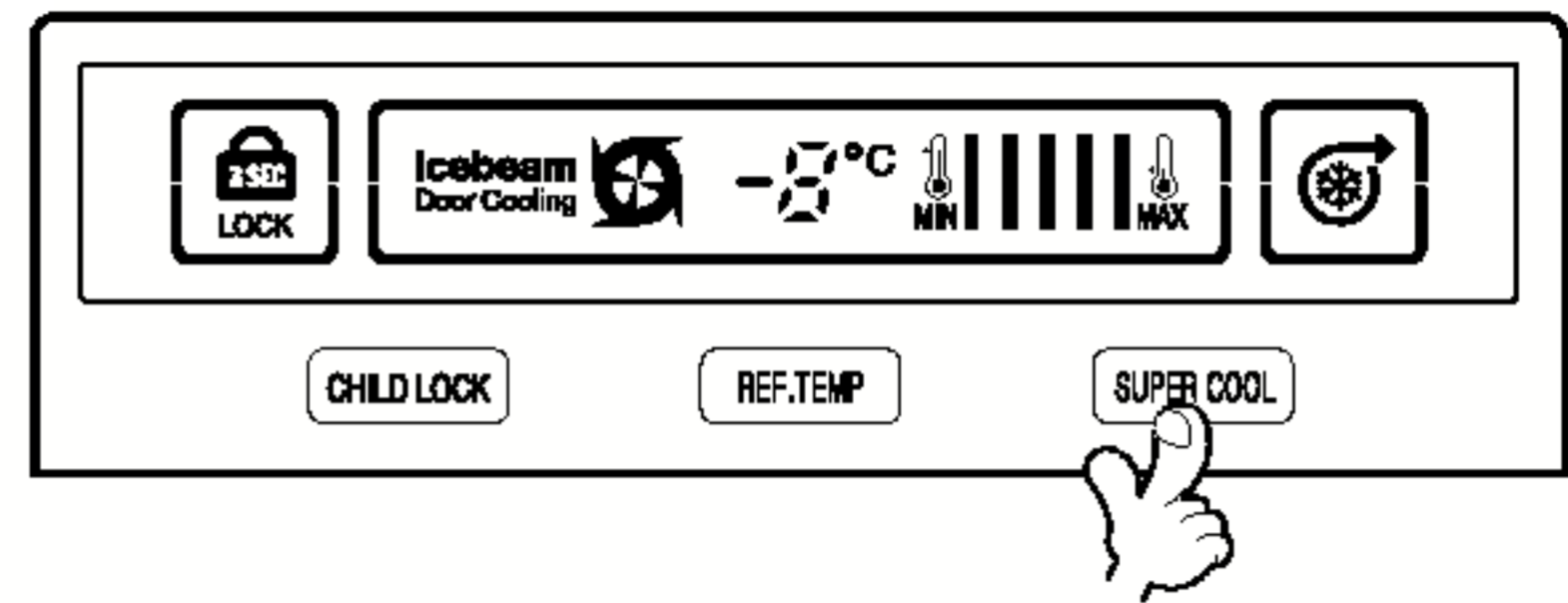
The temperature is set in 5 steps, from MIN to MAX cooling. (Min = warmest, MAX = coldest temperature.)



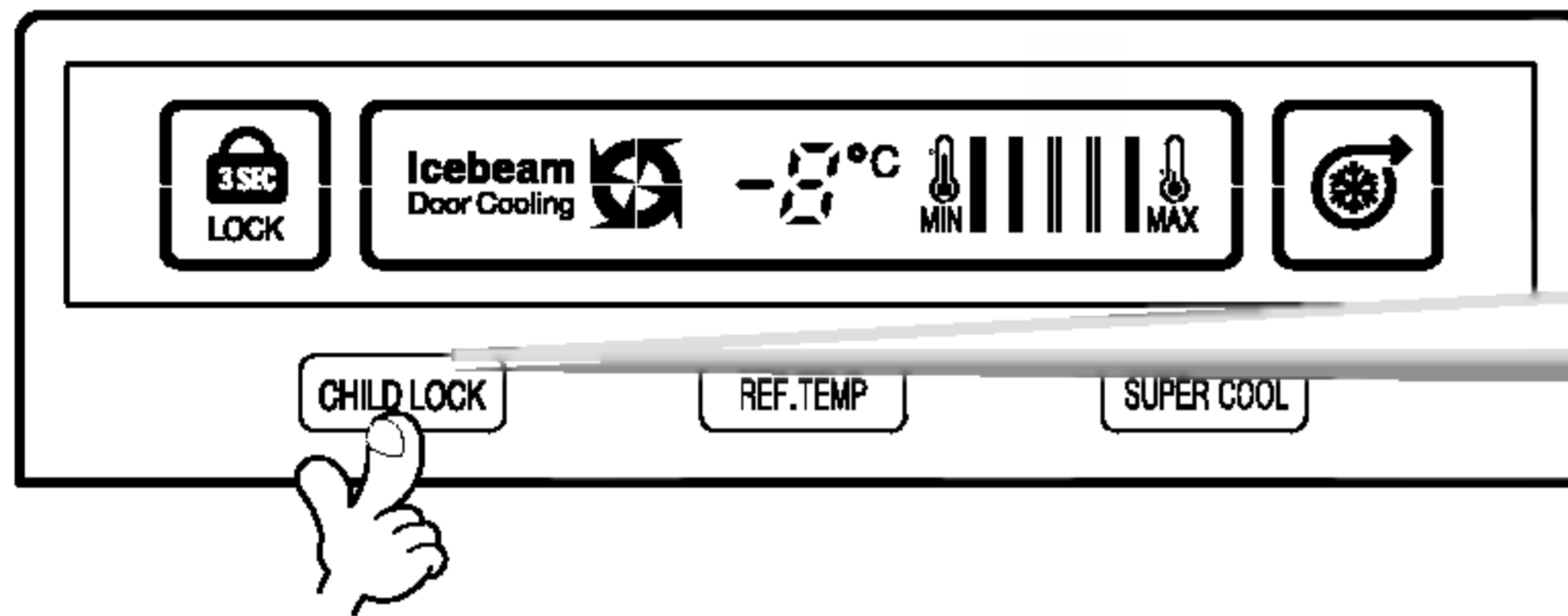
OPERATIONS

SUPER COOL

- The Super Cool feature operates when the refrigerator is first turned on. The compressor and circulating fan operate at maximum cooling capacity to quickly lower the refrigerator temperature. It shuts off automatically.
- If warm food is placed into the refrigerator, Super cool can be started with the button on the control panel. Super Cool will shut off when the temperature reaches the proper level or it can be shut off manually by pressing the Super Cool button.



CHILD LOCK



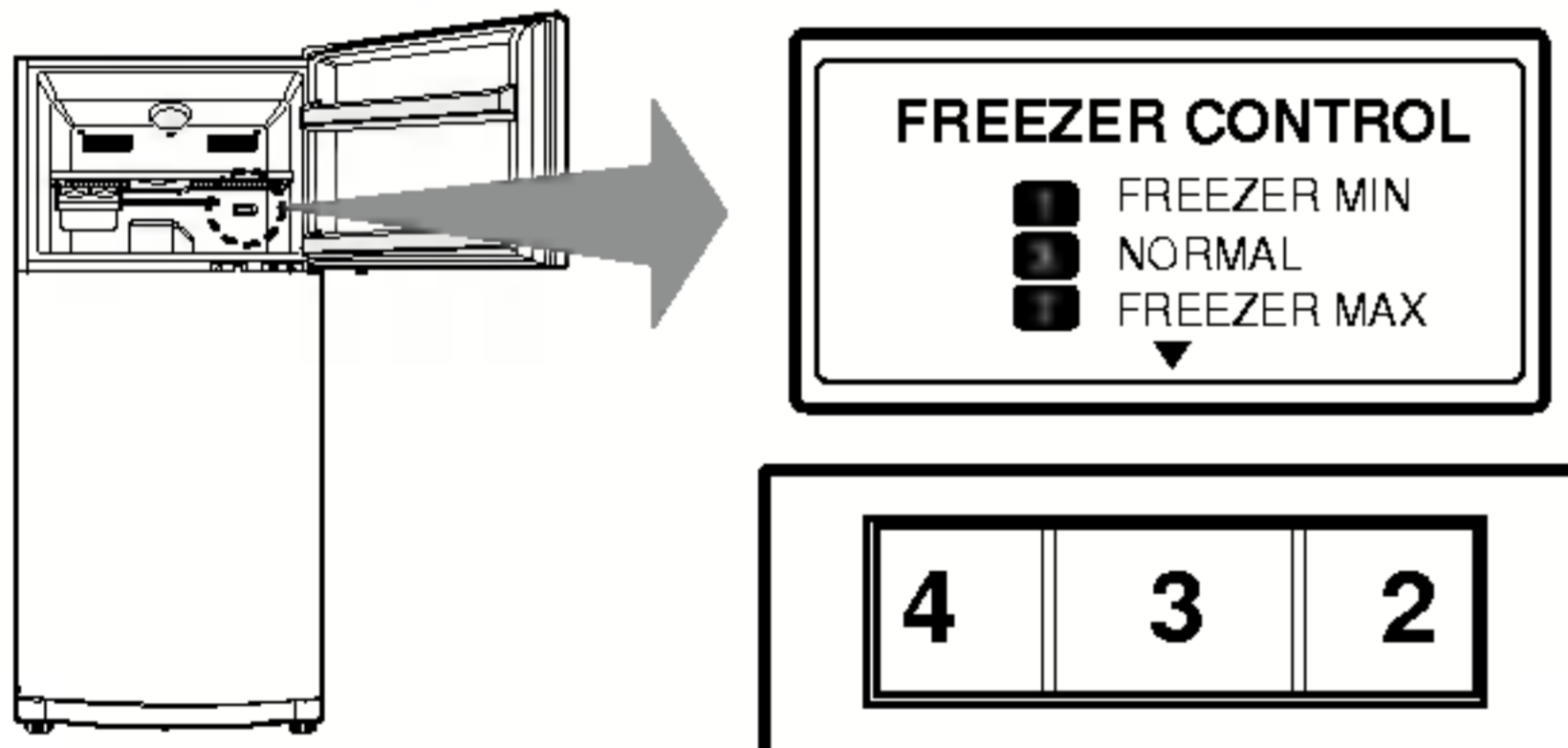
• CHILD LOCK

Press and hold the CHILD LOCK button for 3seconds to lock the child lock.

When it is locked, the Lock LED will be on and the other button will not operate.

To unlock, press and hold the CHILD LOCK button for 3 seconds.

CONTROLS FOR FREEZER COMPARTMENT



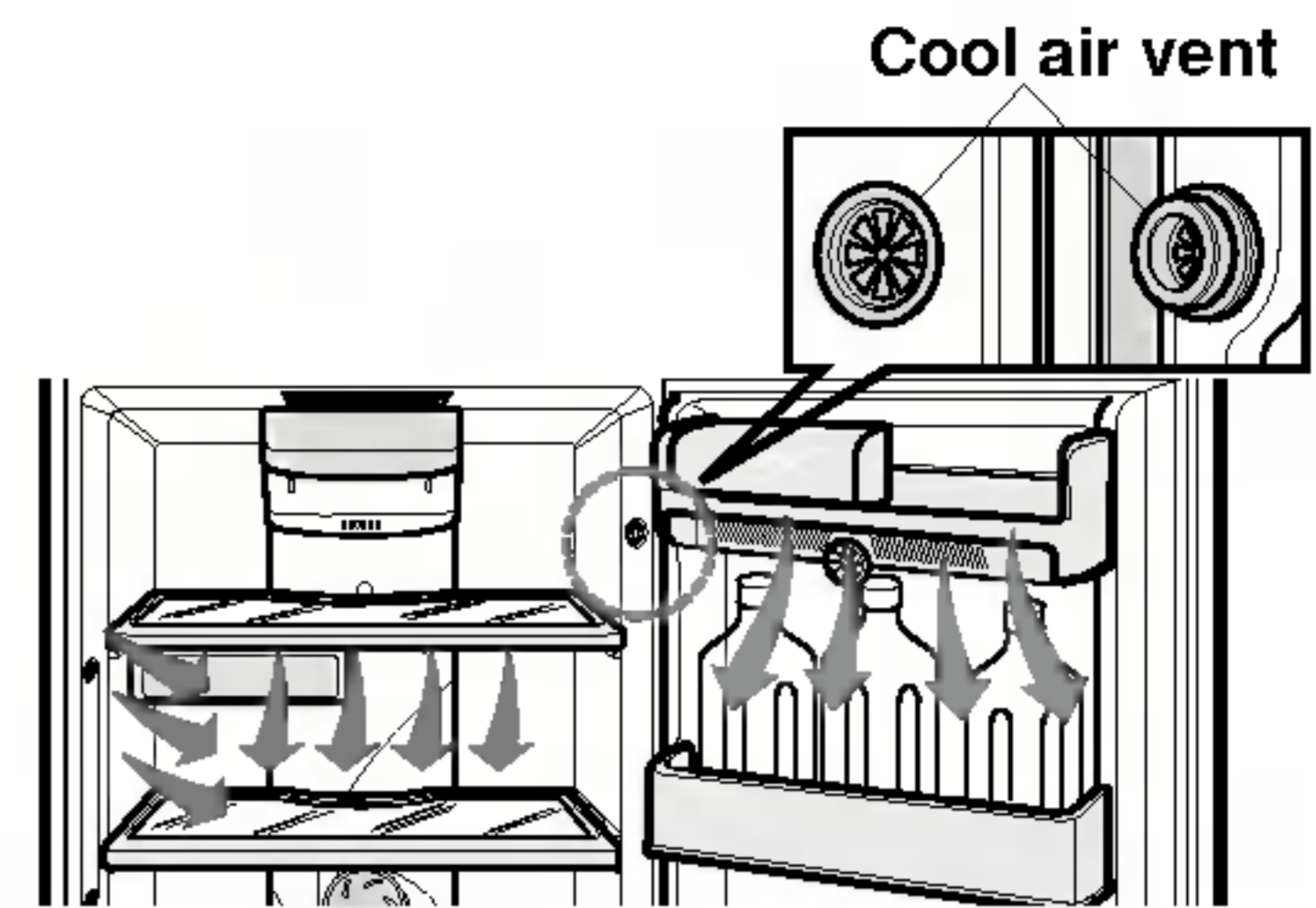
- The higher number the control setting is, the lower the temperature of the Freezer compartment becomes.
- Since the temperature of the refrigerator and freezer compartments is controlled with a fixed amount of cooled air, the refrigerator compartment will be warmer if the freezer compartment becomes colder.
- When the freezer compartment is not cold enough in winter, adjust the control for the freezer to High (4~7).

- Setting the Freezer Knob at will satisfy 4 STAR. Setting the Freezer Knob at NORMAL will have sufficient freezing effect, so it is recommended to set the Knob at NORMAL.

OPERATIONS

ICEBEAM DOOR COOLING

- Air vents are located to provide cool air flow to items stored in the door shelves and at the front of the refrigerator shelves.
- If water or foreign substances enter the cool air vent while cleaning, efficiency will be lowered. In addition, if gasket is damaged, efficiency may be lowered owing to the escape of cool air.



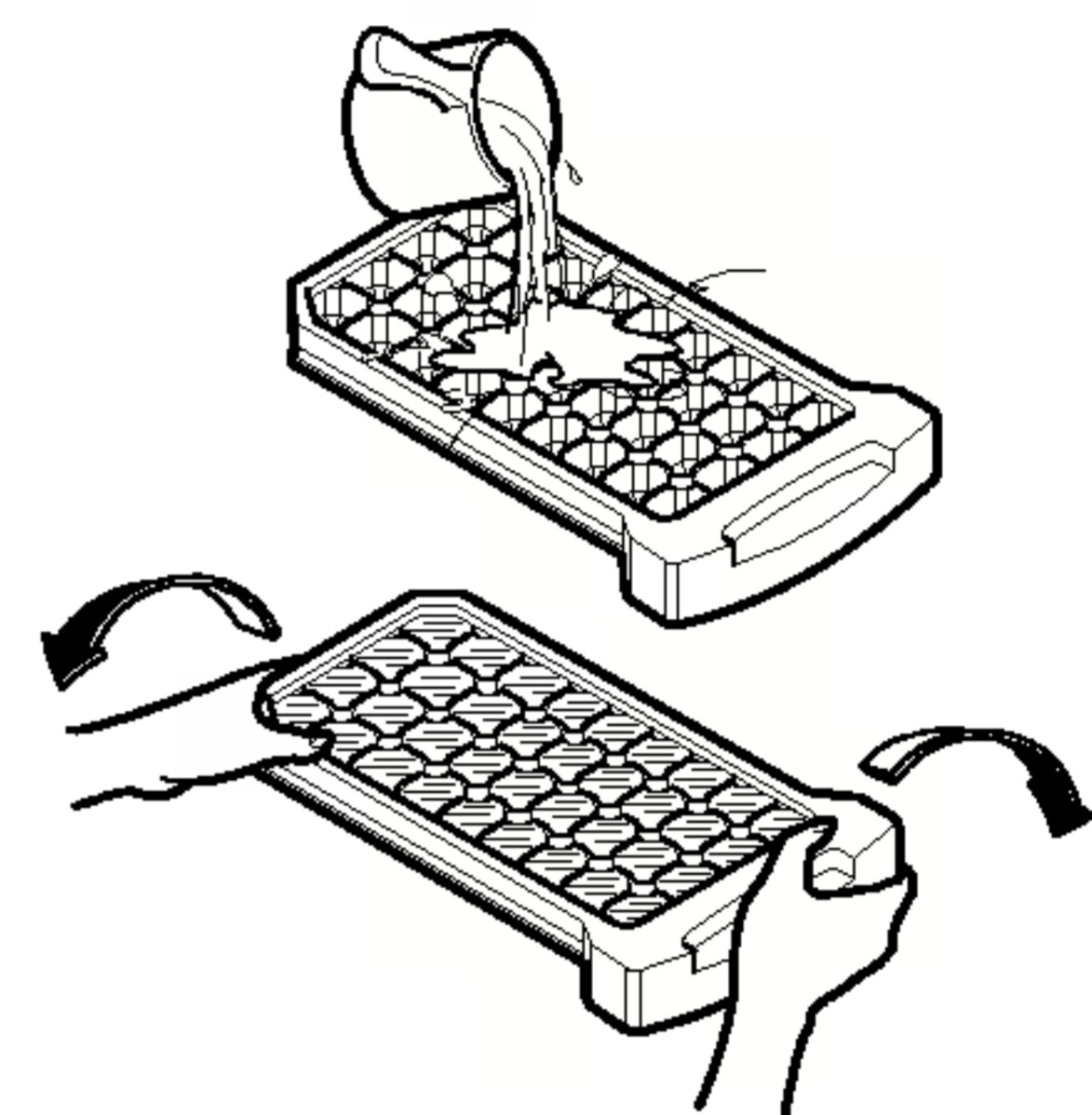
ICE MAKING(OPTIONAL)

Choose the type of ice-making system you have.

General Type

- To make ice cubes, fill the ice tray with water and place it in the freezer.
- To remove ice cubes, hold the tray at its ends and twist gently.

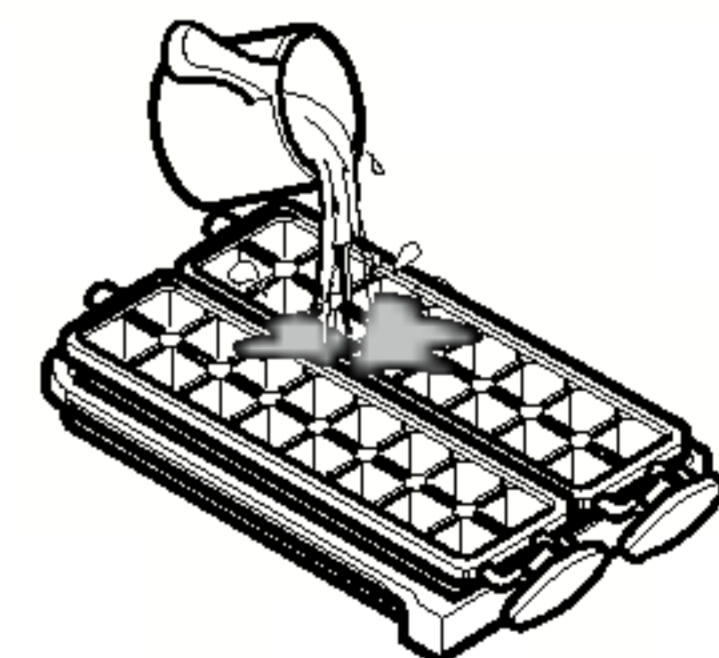
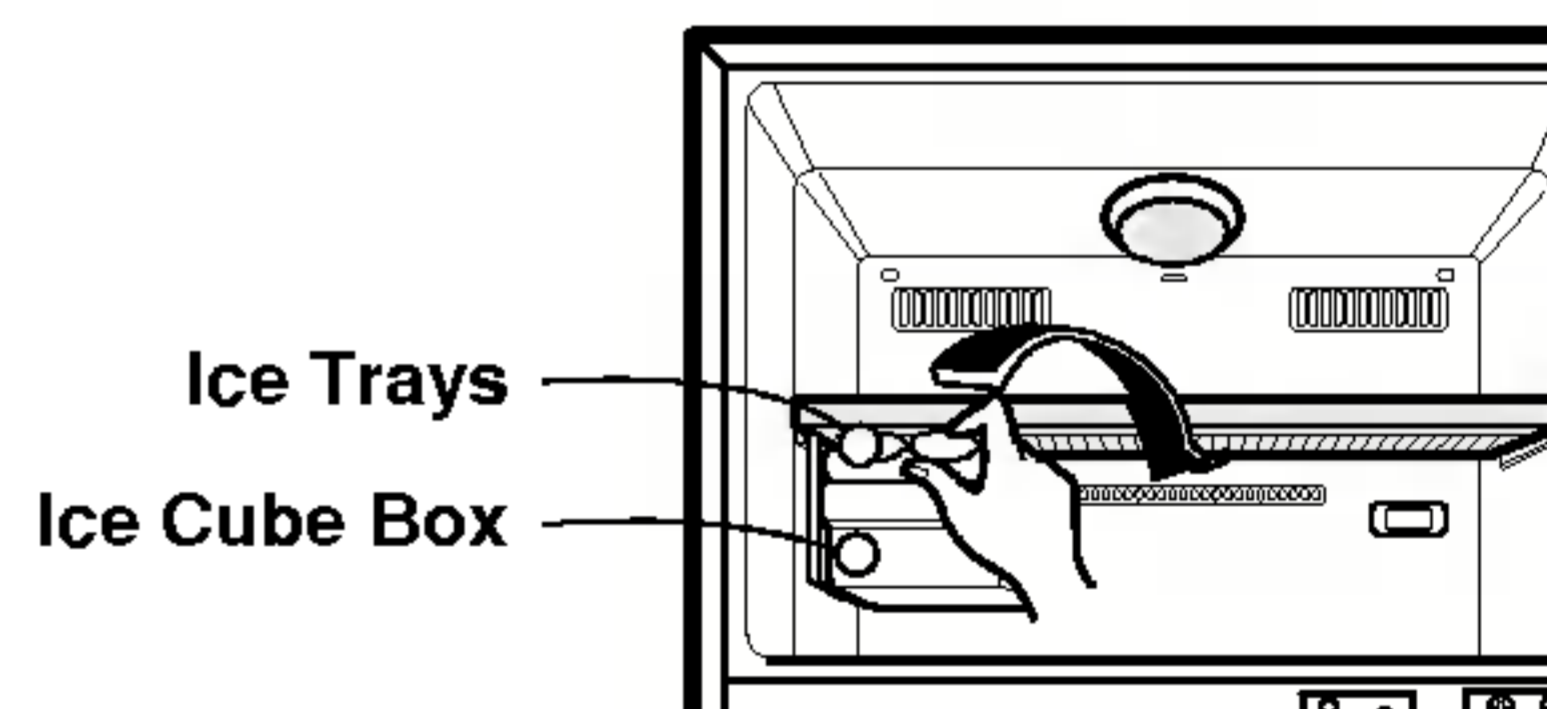
- TIP** • To remove ice cubes easily, run water on the tray before twisting.



Twisting Ice Serve Type

- To make ice cubes, fill the ice tray with water and insert in its position.

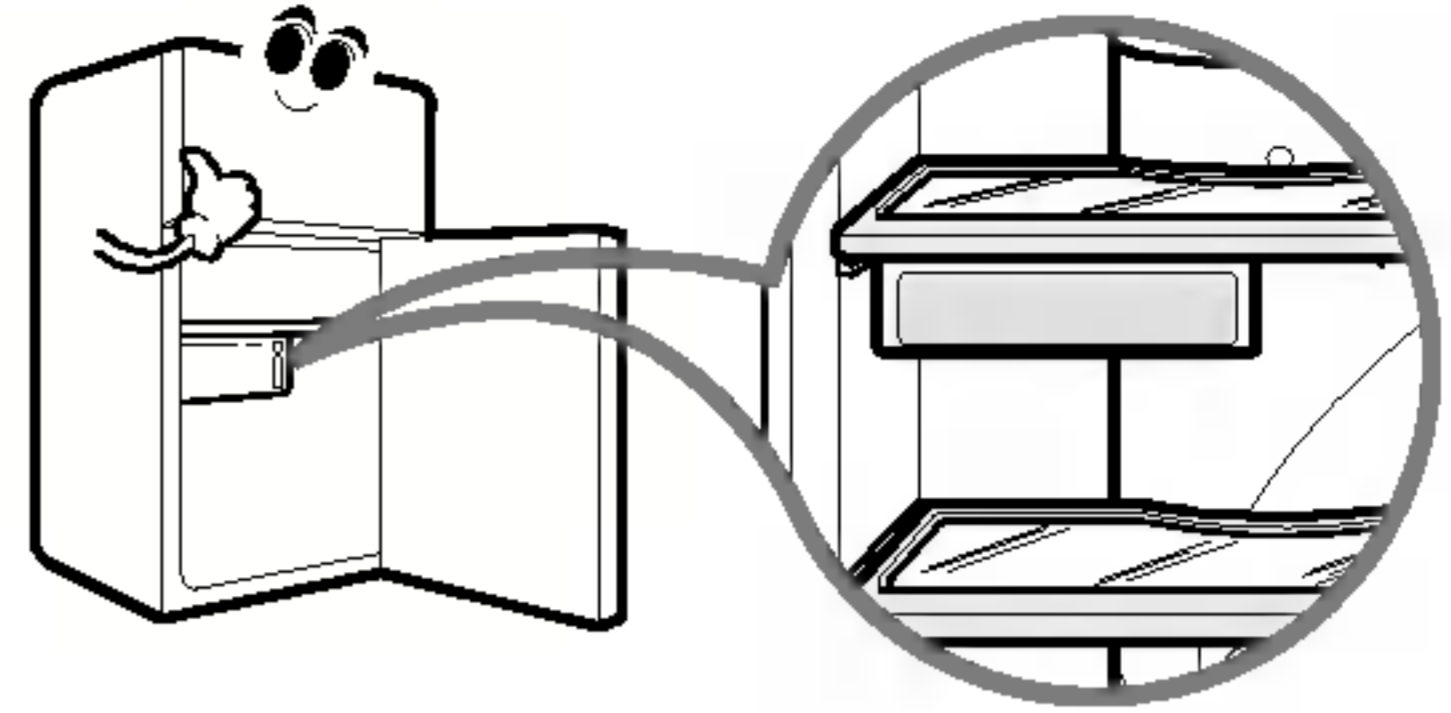
- To remove ice cubes, hold the knob of the tray and turn gently. Then, ice cubes drop in to the ice cube box.



OPERATIONS

FRESH ZONE(OPTIONAL)

- When the door is opened, the warmer air can't influence in the fresh zone. So you can store food more fresh in it.
- The shelf and inserted fresh zone must be placed at its position. If it is moved, the fresh zone can't fill the role of it.

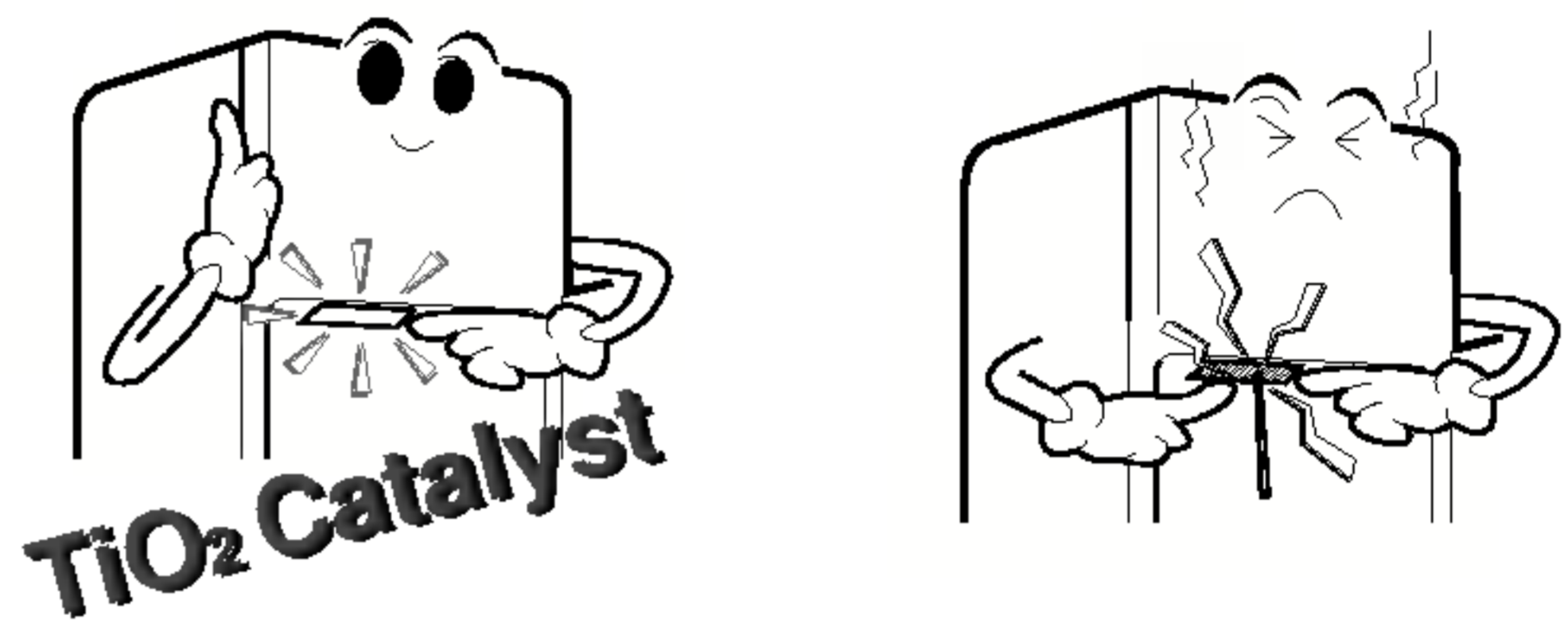


DEFROSTING

- Defrosting takes place automatically.
- The defrosted water flows down to the evaporating tray which located in the lower back side of the refrigerator and is evaporated automatically.

DEODORIZER(OPTIONAL)

- By using an "TiO₂ catalyst," deodorizing performance is guaranteed.
- Unpleasant odor of food in fresh food compartment is deodorized with no harm to you and the food.

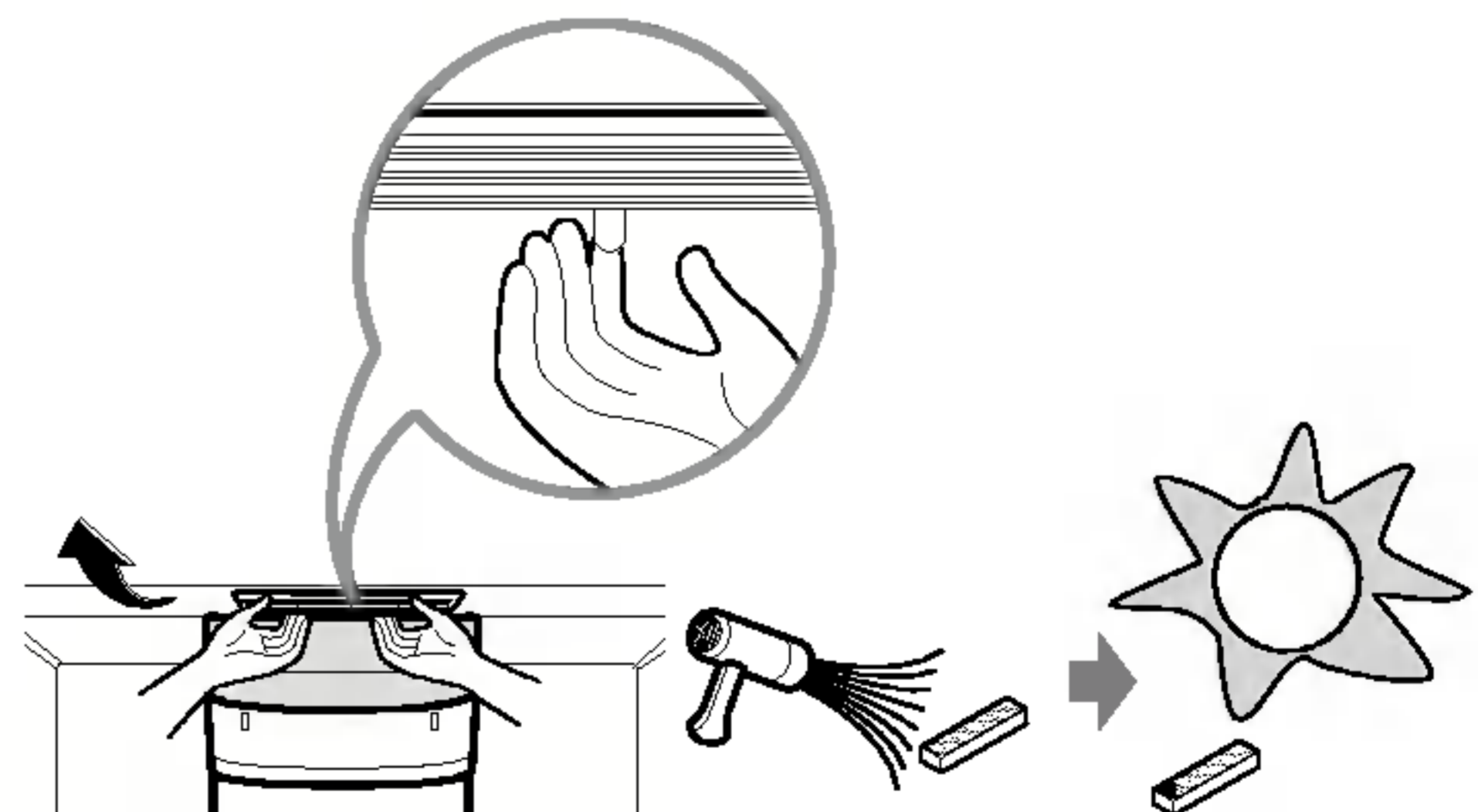


How to use

- As the catalyst is located in cooling air outlet for circulating air in fresh food compartment, there is no need for any handling.
- Do not prick the cooling air outlet with a sharp tip because the deodorizing catalyst may be damaged.
- When storing food with a strong odor, wrap it or store it in a container with a lid because odor may be passed on to other foods.

Re-Using of the catalyst

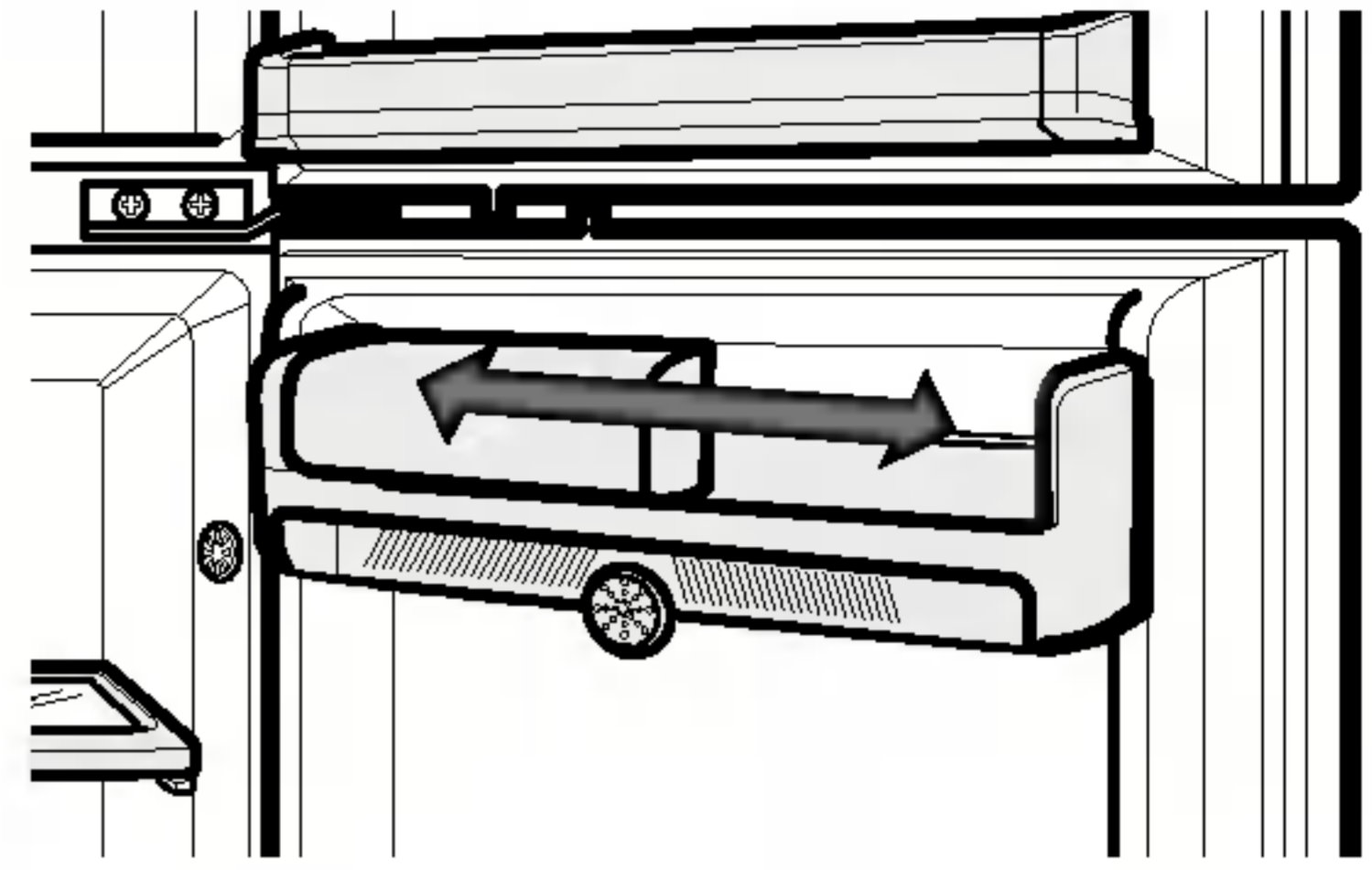
- Used some length and the odor is strong, the catalyst can be revived and re-used. Separate deodorizer in ceiling of refrigerator compartment, using hair drier to remove moisture or malodor and oxidize under sunlight to decomposing malodor by ultraviolet.



OPERATIONS

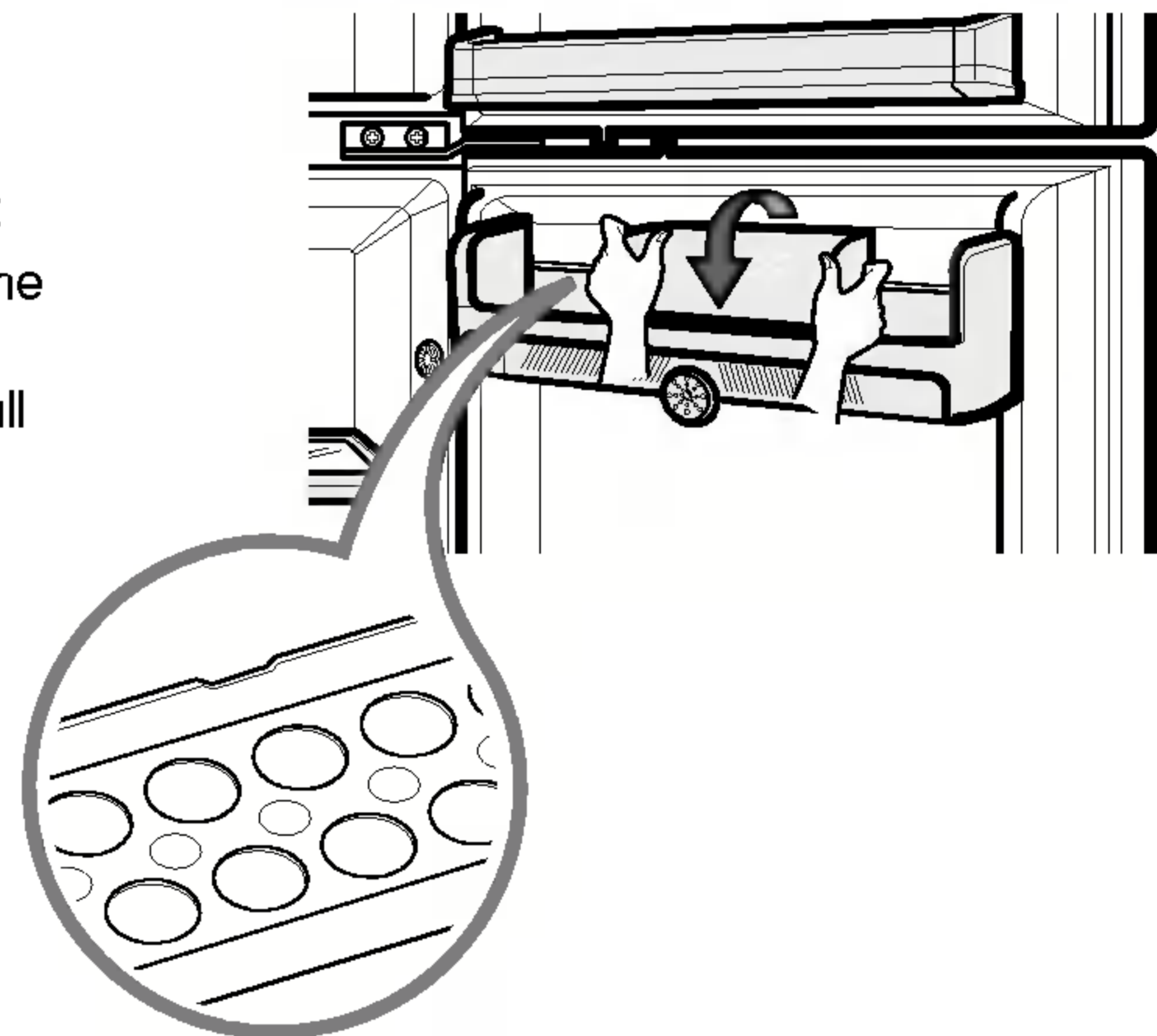
DAIRY CONNER

- Use the moving by pushing right the left with protruded handle.



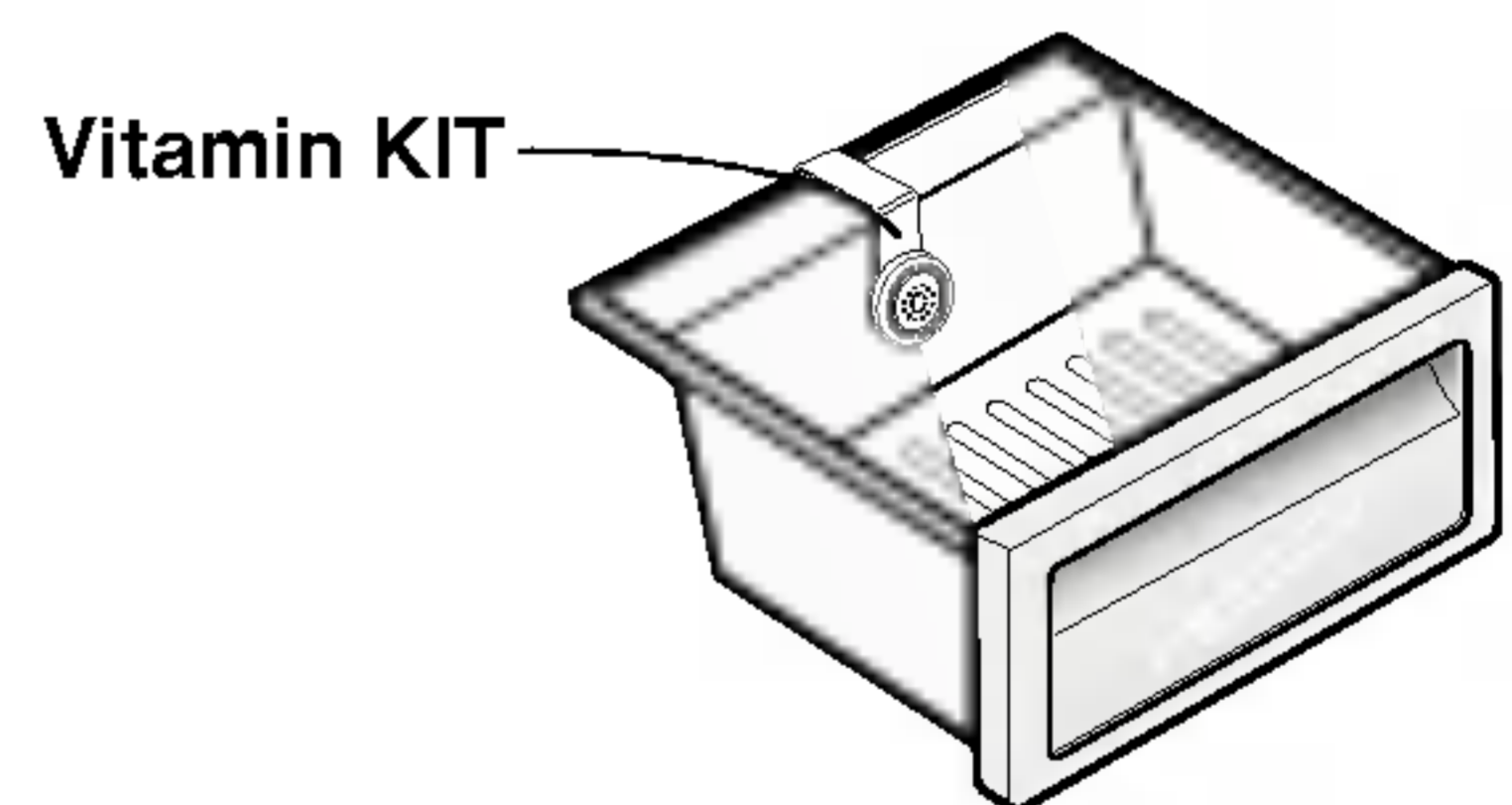
How to remove the cover when you clean

- Push the cover and move it to the center of basket
- Move the cover at the middle of basket and align the hole with both sides of the basket
- After aligning, turn basket from back to front and pull out with both hands.



VITAMIN VEGETABLE DRAWER (OPTIONAL)

- Vitamin KIT used to keep fruits more fresher.
- Please try to keep the kit from getting wet as this would decrease its effectiveness.



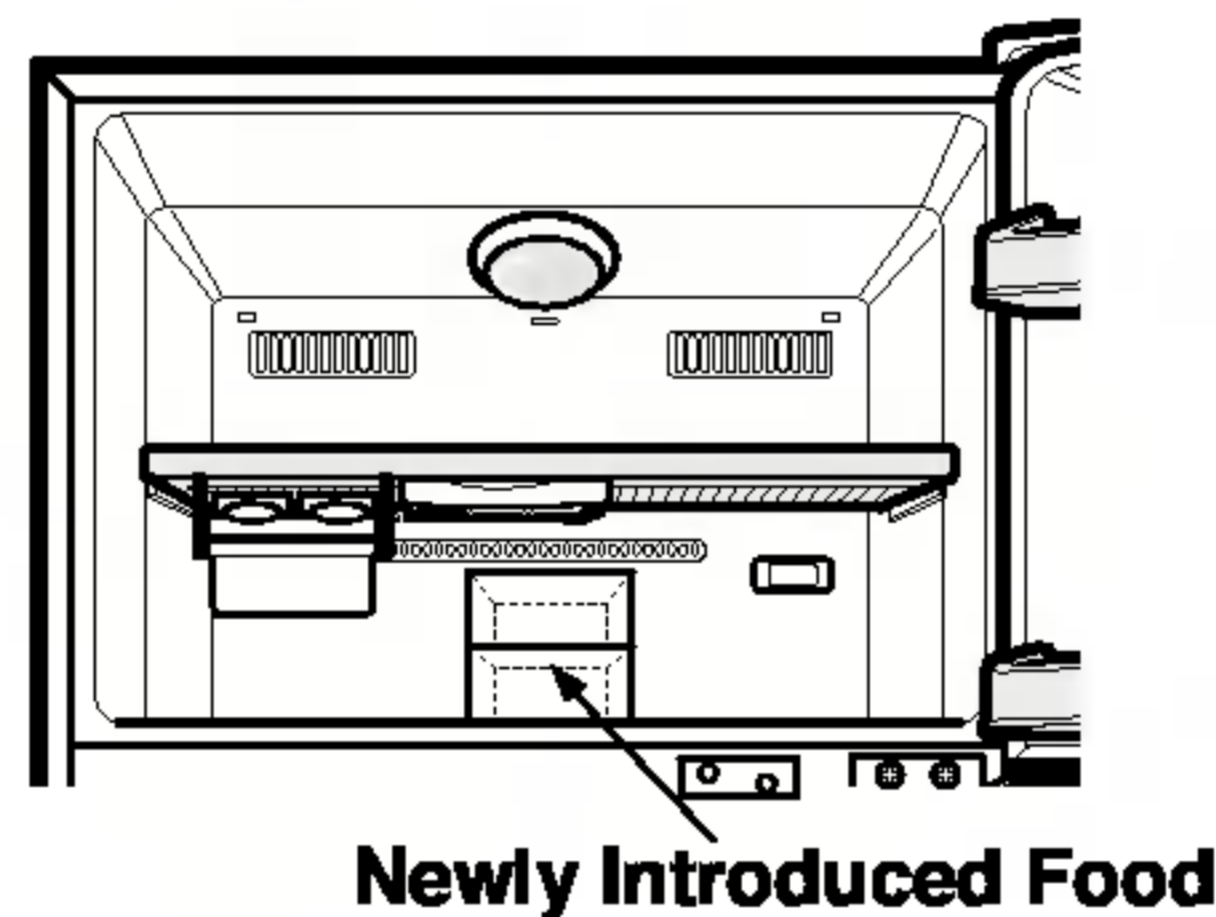
SUGGESTIONS ON FOOD STORAGE

STORING FOOD

- Store fresh food in the refrigerator compartment. How food is frozen and thawed is an important factor in maintaining its freshness and flavor.
- Do not store food which goes bad easily at low temperatures, such as bananas, pineapples, and melons.
- Allow hot food to cool prior to storing. Placing hot food in the refrigerator could spoil other food, and lead to higher electric bills!
- When storing the food, cover it with vinyl wrap or store in a container with a lid. This prevents moisture from evaporating, and helps food to keep its taste and nutrients.
- Do not block air vents with food. Smooth circulation of chilled air keeps refrigerator temperatures even.
- Do not open the door frequently. Opening the door lets warm air enter the refrigerator, and cause temperatures to rise.

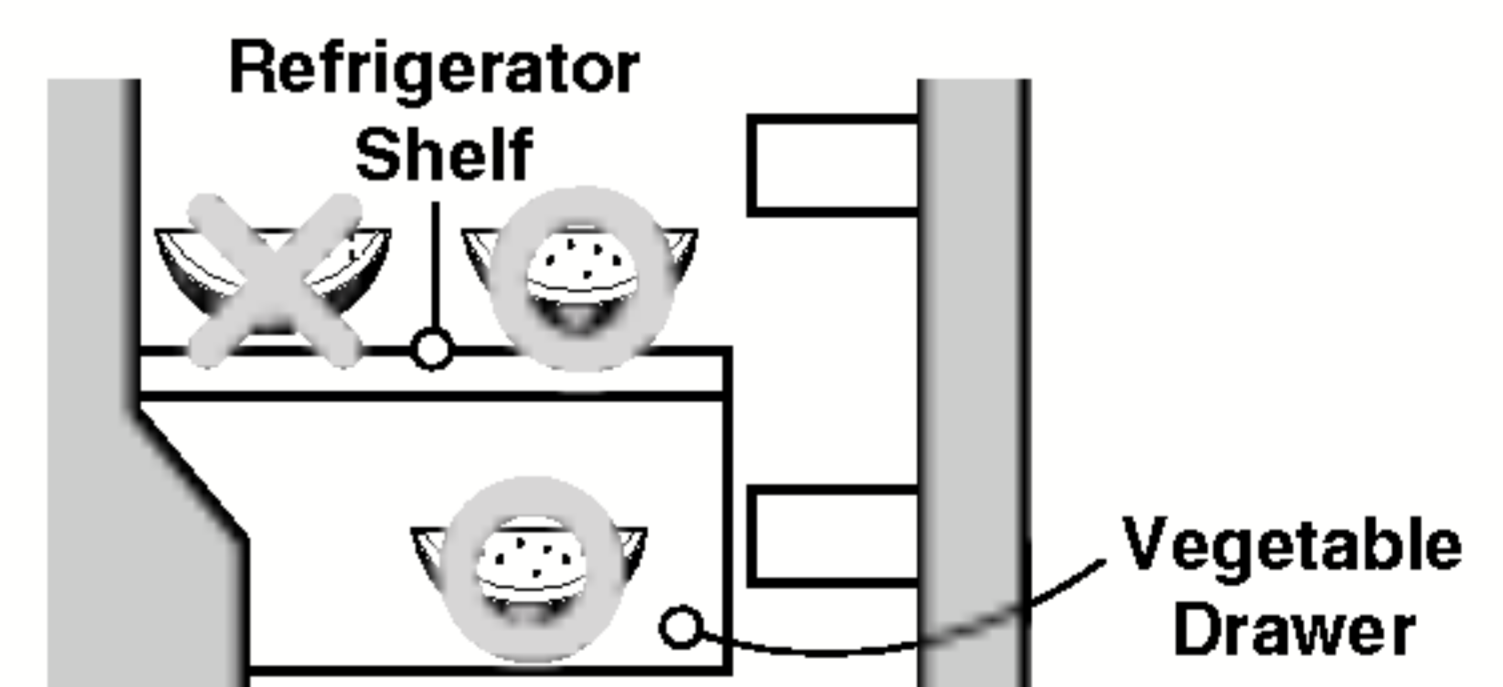
FREEZER COMPARTMENT

- Do not store bottles in the freezer compartment - they may break when frozen.
- Do not refreeze food that has been thawed. This causes loss of taste and nutrition.
- When storing frozen food like ice cream for a long period, place it on the freezer shelf, not in the door rack.
- Loading for Freezing - It is recommended to load newly introduced foods on the following position for freezing:



REFRIGERATOR COMPARTMENT

- Avoid placing moist food on deep interior refrigerator shelves, it could freeze upon direct contact with chilled air. To avoid this it is better to store food in the covered container.
- It is desirable to store moist food (especially vegetable and fruit) in the vegetable storage compartment. If it is necessary to store on a shelf of the refrigerator, put it close to the door away from the back wall of the refrigerator to avoid being frozen by the cool circulating in the refrigerator.
- Always clean food prior to refrigeration. Vegetables and fruits should be washed and wiped, and packed food should be wiped clean, to prevent adjacent food from spoiling.
- When storing eggs in their storage rack, ensure that they are fresh, and always store them in a up-right position, which keeps them fresh longer.



CLEANING

It is important that your refrigerator be kept clean to prevent undesirable odors. Spilled food should be wiped up immediately, since it may acidify and stain plastic surfaces if allowed to settle.

Never use metallic scouring pads, brushes, coarse abrasive cleaners or strong alkaline solutions on any surface.

Before you clean, however, remember that damp objects will stick or adhere to extremely cold surfaces. Do not touch frozen surfaces with wet or damp hands.

EXTERIOR - Use a lukewarm solution of mild soap or dish washable solution to clean the durable finish of your refrigerator. Wipe with a clean, damp cloth and then dry.

INTERIOR - Regular cleaning of the interior and interior parts is recommended. Use a lukewarm solution of mild soap or dish washable solution to clean the durable finish of your refrigerator. Wipe with a clean, damp cloth and then dry.

INTERIOR PARTS - Wash compartment shelves, door racks, storage trays and magnetic door seals etc. Use a lukewarm solution of mild soap or dish washable solution to clean the durable finish of your refrigerator. Wipe with a clean, damp cloth and then dry.

WARNING

Always remove power cord from the wall outlet prior to cleaning in the vicinity of electrical parts (lamps, switches, controls, etc.). Wipe up excess moisture with a sponge or cloth to prevent water or liquid from getting into any electrical part and causing electric shock. Do not use flammable or toxic cleaning liquids.

- Caution for Cleaning
Not in use : Surface active agent, Car wax, Anticorrosive, All sorts of oil, Gasoline, Acids, Wax.
- Usable Detergent Vegetable dish washable solution, Soapy water
- When careless using, it can occur a color change.

GENERAL INFORMATION

VACATION TIME

During average length vacations, you will probably find it best to leave the refrigerator in operation.

Place freezable items in freezer for longer life.

When you plan to be away for an extended period, remove all food, disconnect the power cord, clean the interior thoroughly, and leave each door OPEN to prevent odor formation.

POWER FAILURE

Most power failures are corrected in an hour or two and will not affect your refrigerator temperatures. However, you should minimize the number of door openings while the power is off. During power failures of longer duration, place a block of dry ice on top of your frozen packages.

IF YOU MOVE

Remove or securely fasten down all loose items inside the refrigerator.

To avoid damaging the leveling screw(s), turn them all the way into the base.

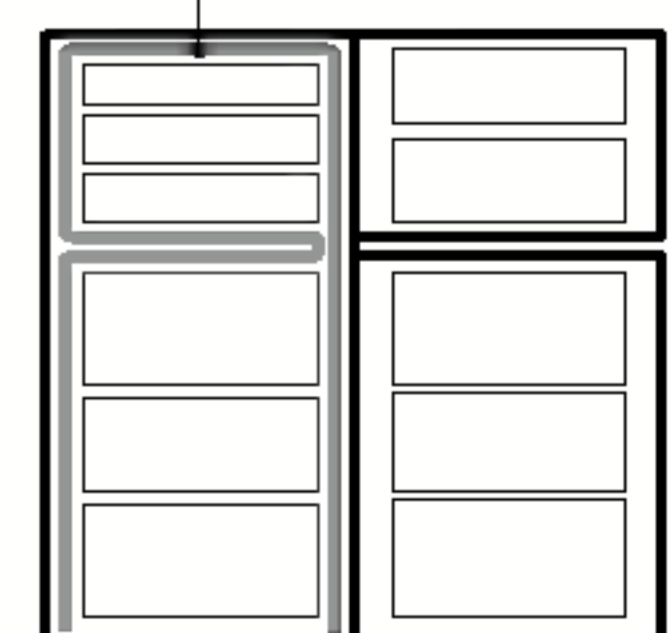
ANTI-CONDENSATION PIPE

The outside wall of the refrigerator cabinet may sometimes get warm, especially just after installation.

Don't be alarmed.

This is due to the anti-condensation pipe, which pumps hot refrigerant to prevent "sweating" on the outer cabinet wall.

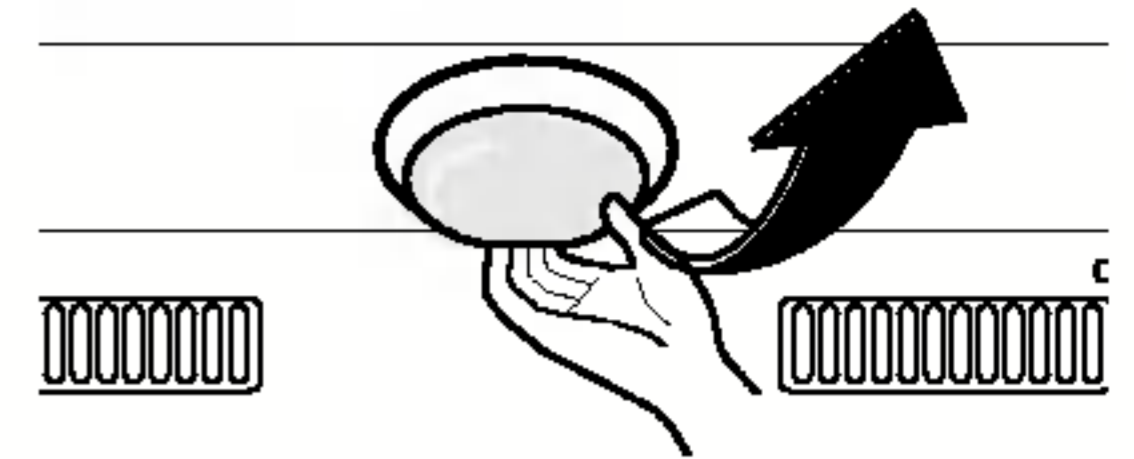
Anti-Condensation Pipe



LAMP REPLACEMENT

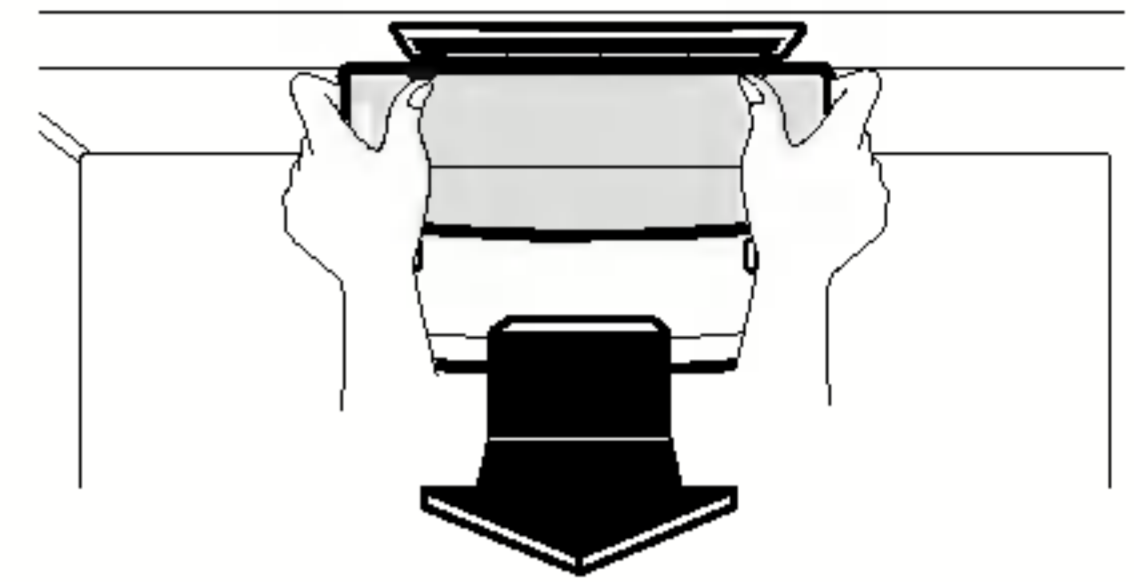
FREEZER LAMP

To remove the lamp shield inside the freezer compartment, reach behind the shield and pull it forward as shown in the figure on the right.



REFRIGERATOR LAMP

To remove the lamp shield inside the refrigerator compartment, pull it down while pressing the triangular area with your thumb and pull it forward as shown in the figure on the right.



IMPORTANT WARNINGS

DO NOT USE AN EXTENSION CORD

If possible, connect the refrigerator to its own individual electrical outlet to prevent it and other appliances or household lights from causing an overload that could cause a power outage.

ACCESSIBILITY OF SUPPLY PLUG

The refrigerator-freezer should be so positioned that the supply plug is accessible for quick disconnection when accident happens.

SUPPLY CORD REPLACEMENT

If the supply cord is damaged, it must be replaced by the manufacturer or its service agent or a similarly qualified person in order to avoid a hazard.

ABOUT GROUNDING (EARTHING)

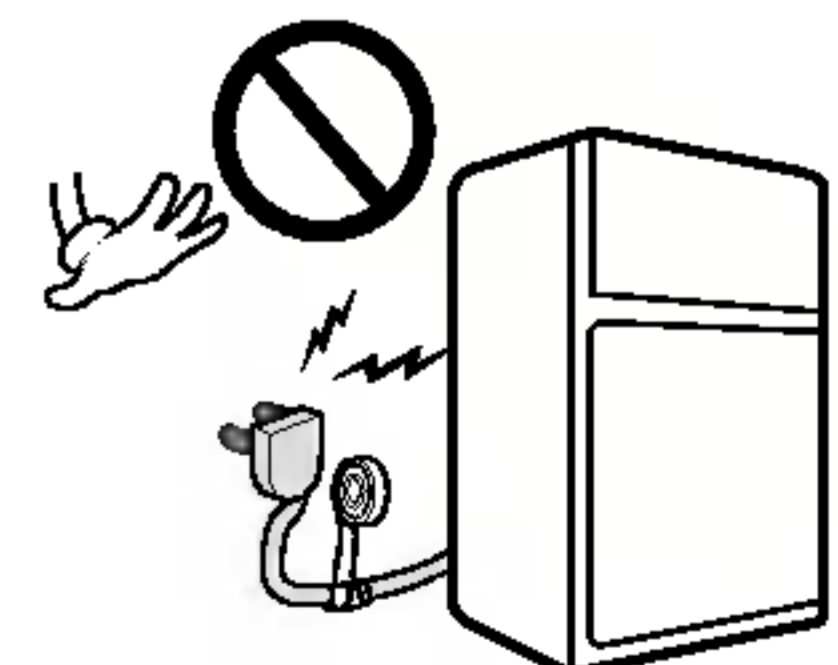
In the event of an electric short circuit, grounding (earthing) reduces the risk of electric shock by providing an escape wire for the electric current.

In order to prevent possible electric shock, this appliance must be grounded.

Improper use of the grounding plug can result in an electric shock. Consult a qualified electrician or service person if the grounding instructions are not completely understood, or if you have doubts on whether the appliance is properly grounded.

DO NOT MODIFY OR EXTEND THE POWER CORD LENGTH.

It will cause electric shock or fire.



VERY DANGEROUS ATTRACTION

An empty refrigerator can be a dangerous attraction to children. Remove either gaskets, latches, lids or the entire door from your unused appliance, or take some other action to make it harmless.

**This appliance must be grounded (earthed).
DON'T WAIT! DO IT NOW!**

**Do not store inflammable materials, explosives
or chemicals in the refrigerator.**

BEFORE CALLING FOR SERVICE

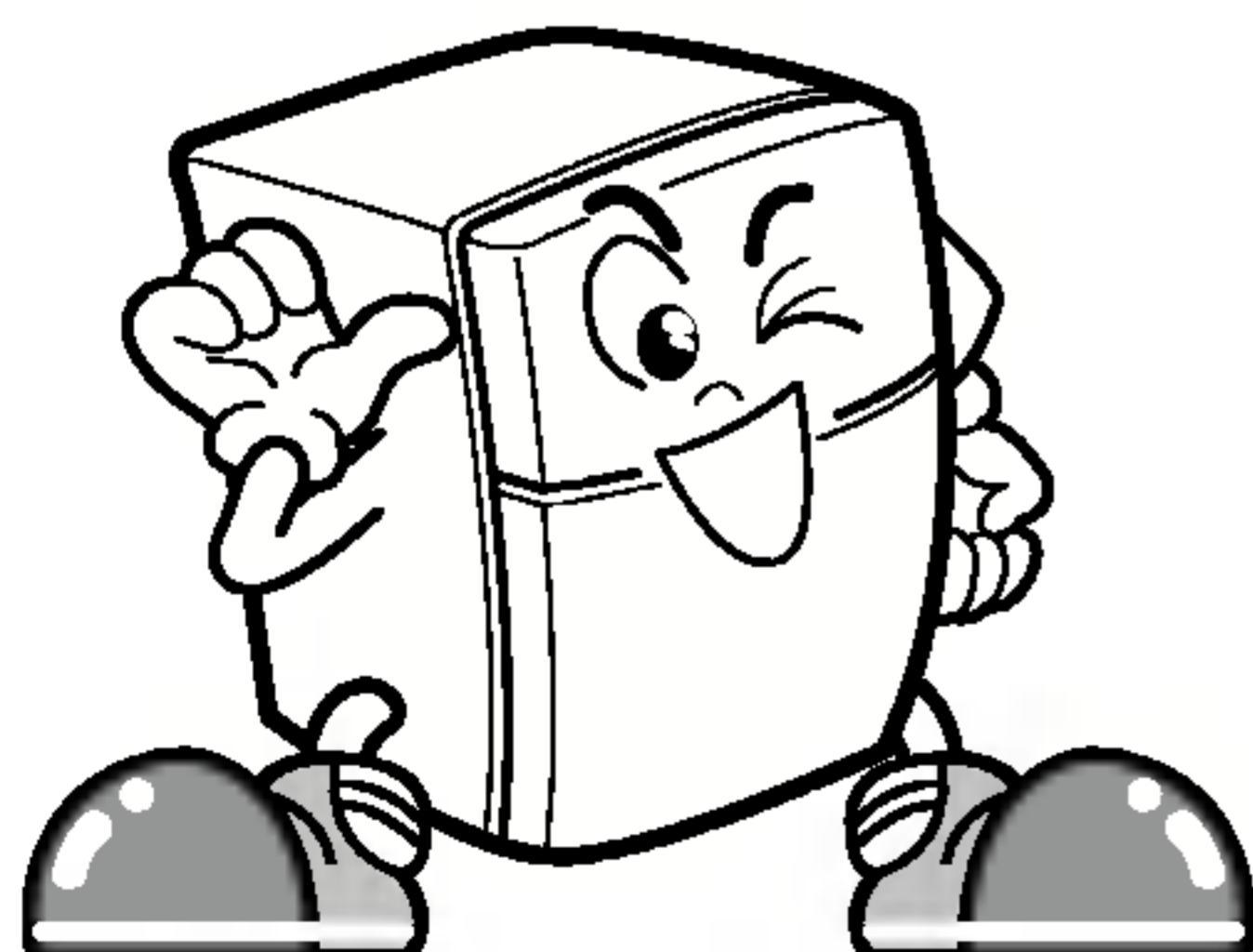
SERVICE CALLS CAN OFTEN BE AVOIDED!

IF YOU FEEL YOUR REFRIGERATOR IS NOT OPERATING PROPERLY, CHECK THESE POSSIBLE CAUSES FIRST :

PROBLEM	POSSIBLE CAUSES
REFRIGERATOR DOES NOT OPERATE	<ul style="list-style-type: none">• Has a house fuse blown or circuit breaker tripped?• Has the power cord plug been removed or loosened from the electrical wall outlet?
REFRIGERATOR OR FREEZER COMPARTMENT TEMPERATURE TOO WARM	<ul style="list-style-type: none">• Temperature control not set on proper position.• Appliance is placed close to wall or heat source.• Warm weather-frequent door openings.• Door left open for a long time.• Large amount of foods are kept in the refrigerator.
ABNORMAL NOISE(S)	<ul style="list-style-type: none">• Refrigerator is installed in a weak or uneven place, or leveling screw needs adjusting.• Unnecessary objects placed in the back side of the refrigerator.
REFRIGERATOR HAS ODOR	<ul style="list-style-type: none">• Foods with strong odors should be tightly covered or wrapped.• Interior needs cleaning.
DEW FORMS ON THE CABINET SURFACE	<ul style="list-style-type: none">• Not unusual during periods of high humidity.• Door may have been left ajar.

ΠΙΝΑΚΑΣ ΠΕΡΙΕΧΟΜΕΝΩΝ



ΕΓΚΑΤΑΣΤΑΣΗ	15
ΕΣΩΤΕΡΙΚΑ ΕΞΑΡΤΗΜΑΤΑ	16
ΛΕΙΤΟΥΡΓΙΕΣ	17-21
Έναρξη λειτουργίας	
Λειτουργία αυτοματου κλεισματος της λαμπας	
Πριν τη ρύθμιση της θερμοκρασίας	
Συναγερμός πόρτας	
Αυτοέλεγχος	
Κουμπιά θαλάμου συντήρησης	
Ταχεία ψύξη	
Κλειδαρια ασφαλειας παιδιων	
Κουμπιά θαλάμου κατάψυξης	
Ψύξη πόρτας με δέσμη ψυχρού αέρα	
Παρασκευή πάγου (προαιρετικο)	
Συρτάρι για φρέσκα τρόφιμα (προαιρετικο)	
Απόψυξη	
Σύστημα αποσμήσεως (προαιρετικο)	
Γαλακτοκομικων προϊόντων	
Συρταρι διατηρησης βιταμινων των λαχανικων (προαιρετικο)	
ΥΠΟΔΕΙΞΕΙΣ ΓΙΑ ΤΗΝ ΑΠΟΘΗΚΕΥΣΗ ΤΩΝ ΤΡΟΦΙΜΩΝ	22
ΚΑΘΑΡΙΣΜΟΣ	23
ΓΕΝΙΚΕΣ ΠΛΗΡΟΦΟΡΙΕΣ	23
ΑΛΛΑΓΗ ΤΩΝ ΛΑΜΠΩΝ	24
ΣΗΜΑΝΤΙΚΕΣ ΠΡΟΕΙΔΟΠΟΙΗΣΕΙΣ	24
ΠΡΙΝ ΤΗΛΕΦΩΝΗΣΕΤΕ ΣΤΟ ΣΕΡΒΙΣ	25



Η ΚΑΤΑΣΚΕΥΗ ΑΥΤΟΥ ΤΟΥ ΨΥΓΕΙΟΥ ΕΧΕΙ ΓΙΝΕΙ ΜΕ ΜΕΓΑΛΗ ΕΠΙΜΕΛΕΙΑ ΧΡΗΣΙΜΟΠΟΙΩΝΤΑΣ ΤΑ ΕΠΙΤΕΥΓΜΑΤΑ ΤΗΣ ΤΕΛΕΥΤΑΙΑΣ ΤΕΧΝΟΛΟΓΙΑΣ. ΕΙΜΑΣΤΕ ΣΙΓΟΥΡΟΙ ΟΤΙ ΘΑ ΙΚΑΝΟΠΟΙΗΘΕΙΤΕ ΑΠΟΛΥΤΑ ΑΠΟ ΤΗΝ ΑΠΟΔΟΣΗ ΚΑΙ ΤΗΝ ΑΞΙΟΠΙΣΤΙΑ ΤΟΥ.

ΠΡΙΝ ΒΑΛΕΤΕ ΣΕ ΛΕΙΤΟΥΡΓΙΑ ΤΟ ΨΥΓΕΙΟ ΣΑΣ, ΔΙΑΒΑΣΤΕ ΜΕ ΠΡΟΣΟΧΗ ΚΑΙ ΕΞ ΟΛΟΚΛΗΡΟΥ ΑΥΤΟ ΤΟ ΕΓΧΕΙΡΙΔΙΟ ΟΔΗΓΙΩΝ ΧΡΗΣΕΩΣ. ΠΑΡΕΧΕΙ ΑΚΡΙΒΕΙΣ ΟΔΗΓΙΕΣ ΓΙΑ ΤΗΝ ΕΓΚΑΤΑΣΤΑΣΗ, ΤΗ ΛΕΙΤΟΥΡΓΙΑ ΚΑΙ ΤΗ ΣΥΝΤΗΡΗΣΗ. ΣΤΟ ΤΕΛΟΣ, ΠΑΡΕΧΕΙ ΕΠΙΣΗΣ ΟΔΗΓΙΕΣ ΓΙΑ ΤΟΝ ΕΝΤΟΠΙΣΜΟ ΚΑΙ ΤΗ ΔΙΟΡΘΩΣΗ ΒΛΑΒΩΝ

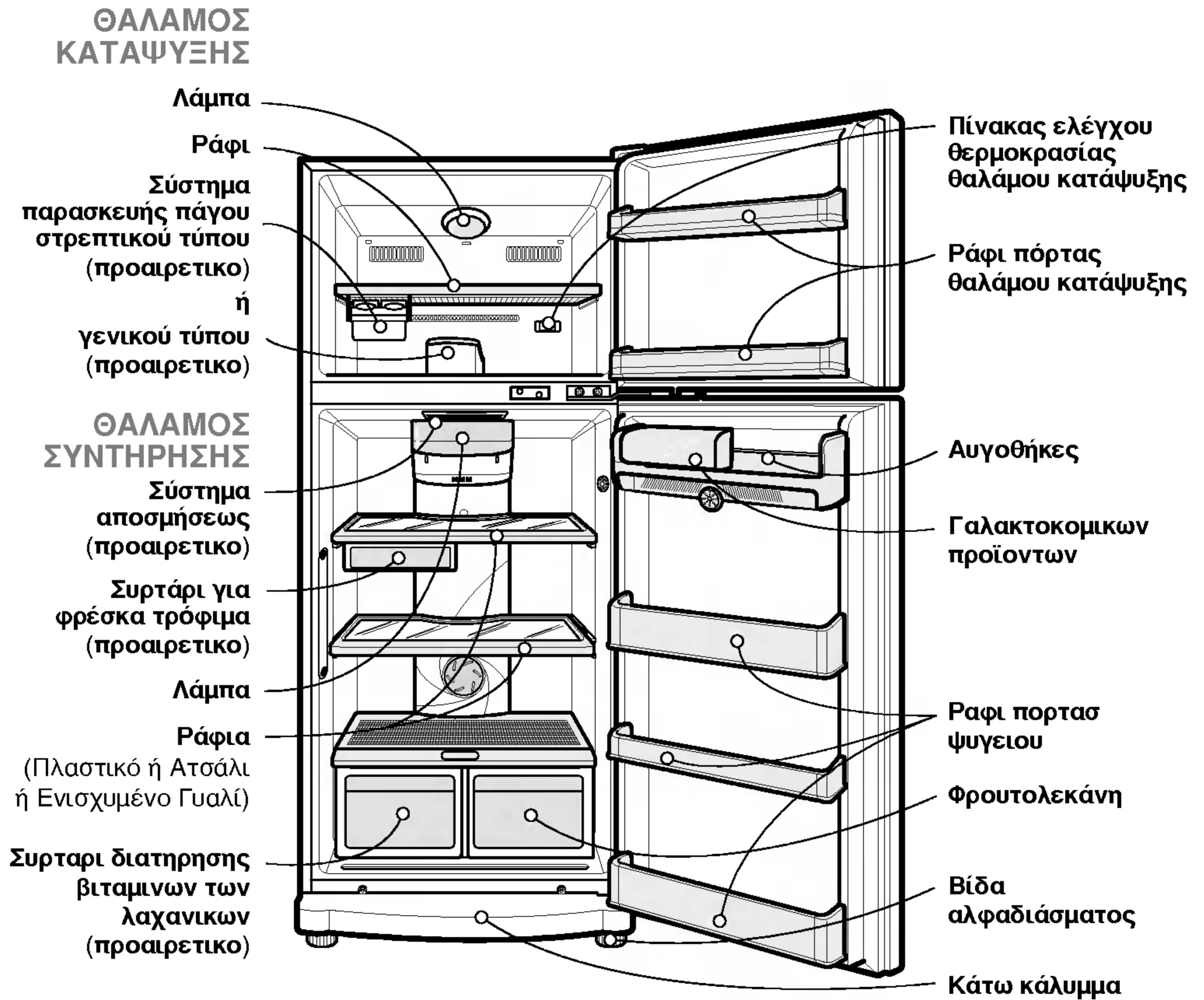
ΕΓΚΑΤΑΣΤΑΣΗ

1. Επιλέξτε κατάλληλη θέση.
Τοποθετήστε το ψυγείο σας σε σημείο που να μπορείτε να το χρησιμοποιείται εύκολα.
2. Αποφύγετε να τοποθετήσετε το ψυγείο σας κοντά σε πηγές θερμότητας, σε σημείο που να πέφτει πάνω του το φως του ήλιου ή σε σημείο όπου υπάρχει υγρασία.
3. Ο αέρας πρέπει να κυκλοφορεί ελεύθερα γύρω από το ψυγείο σας για να διασφαλίζεται η αποτελεσματική λειτουργία του. Αν τοποθετήσετε το ψυγείο σας σε εσοχή τοίχου, αφήστε τουλάχιστον 12 ίντσες (30 εκ.) ή περισσότερο κενό πάνω από το ψυγείο και 2 ίντσες (5 εκ.) ή περισσότερο από τον τοίχο.
Το ψυγείο θα πρέπει να σηκωθεί κατά 1 ίντσα (2,5 εκ.) από το πάτωμα ιδίως αν υπάρχει μοκέτα.
4. Για να αποφύγετε τους κραδασμούς, φροντίστε να αλφαδιάσετε τη συσκευή.
Αν χρειαστεί, ρυθμίστε τις βίδες αλφαδιάσματος για να αντισταθμίσετε τυχόν ανωμαλία του δαπέδου.
Το μπροστινό μέρος πρέπει να σηκωθεί λίγο ψηλότερα από το πίσω μέρος για να διευκολύνεται το κλείσιμο της πόρτας.
Οι βίδες αλφαδιάσματος γυρίζουν εύκολα γέροντας λίγο τη συσκευή.
Γυρίστε τις βίδες αλφαδιάσματος δεξιόστροφα () για να σηκώσετε τη συσκευή, και αριστερόστροφα () για να το χαμηλώσετε.
5. Μην εγκαταστήσετε το ψυγείο σε χώρο με θερμοκρασία κάτω από 5°C, διότι μπορεί να υποβαθμιστεί η απόδοσή του.

ΣΤΗ ΣΥΝΕΧΕΙΑ

1. Σκουπίστε καλά όλη τη σκόνη που έχει μαζευτεί κατά τη μεταφορά και καθαρίστε καλά τη συσκευή σας.
2. Τοποθετήστε τα αξεσουάρ όπως την παγολεκάνη κλπ στις αντίστοιχες θέσεις τους. Τα εξαρτήματα έχουν συσκευαστεί σκόπιμα μαζί για να αποφευχθεί η πιθανή ζημιά τους κατά τη μεταφορά.
3. Αν έχετε μοντέλο με χερούλι τύπου ράβδου, συναρμολογήστε το χερούλι σύμφωνα με τις οδηγίες του συνοδευτικού φύλλου.
4. Συνδέστε το καλώδιο τροφοδότησης (ή το φις) στην πρίζα ρεύματος. Μην βάζετε άλλες συσκευές στην ίδια πρίζα ρεύματος.
5. Πριν αρχίσετε να αποθηκεύετε τρόφιμα, αφήστε τη συσκευή σας να λειτουργήσει για 2 - 3 ώρες. Ελέγξτε τη ροή ψυχρού αέρα στο θάλαμο κατάψυξης και βεβαιωθείτε ότι γίνεται κανονικά η ψύξη. Το ψυγείο σας είναι πλέον έτοιμο για χρήση.

ΕΣΩΤΕΡΙΚΑ ΕΞΑΡΤΗΜΑΤΑ



ΣΗΜΕΙΩΣΗ

- Αυτός ο οδηγός καλύπτει αρκετά διαφορετικά μοντέλα. Το ψυγείο που έχετε αγοράσει μπορεί να έχει μερικά ή όλα τα χαρακτηριστικά που απεικονίζονται πιο πάνω

ΛΕΙΤΟΥΡΓΙΕΣ

ΕΝΑΡΞΗ ΛΕΙΤΟΥΡΓΙΑΣ

Αφού εγκατασταθεί για πρώτη φορά η συσκευή σας, αφήστε την να σταθεροποιηθεί σε κανονικές θερμοκρασίες λειτουργίας για 2 - 3 ώρες πριν τη γεμίσετε με φρέσκα ή κατεψυγμένα τρόφιμα. Αν διακοπεί η λειτουργία της, περιμένετε 5 λεπτά πριν την ξαναβάλετε σε λειτουργία.

ΛΕΙΤΟΥΡΓΙΑ ΑΥΤΟΜΑΤΟΥ ΚΛΕΙΣΙΜΑΤΟΣ ΤΗΣ ΛΑΜΠΑΣ

Όταν η πόρτα μείνει ανοικτή για 7 λεπτά ή περισσότερο, η εσωτερική λάμπα σβήνει αυτόματα για εξοικονόμηση ενέργειας και αποτροπή υπερθέρμανσης. Ωστόσο, ο συναγερμός συνεχίζει να ηχεί μέχρι να κλείσετε την πόρτα.

ΠΡΙΝ ΤΗ ΡΥΘΜΙΣΗ ΤΗΣ ΘΕΡΜΟΚΡΑΣΙΑΣ

- Η θερμοκρασία του ψυγείου διατηρείται σταθερή ανεξάρτητα από τις αλλαγές στην θερμοκρασία του δωματίου. Σας συστήνουμε αφού έχετε ρυθμίσει τη θερμοκρασία να μην αλλάζετε τις ρυθμίσεις της θερμοκρασίας (τα κουμπιά για το ψυγείο και την κατάψυξη) εκτός και εάν είναι απαραίτητο.
- Αυτή η συσκευή έχει ένα κουμπί ελέγχου θερμοκρασίας στο θάλαμο συντήρησης και ένα πίνακα ελέγχου θερμοκρασίας στο θάλαμο κατάψυξης.
- Η προεπιλεγμένη ρύθμιση του κουμπιού ελέγχου θερμοκρασίας του θαλάμου συντήρησης είναι 'Normal' (Κανονική).
- Η προεπιλεγμένη ρύθμιση του πίνακα ελέγχου θερμοκρασίας του θαλάμου κατάψυξης είναι '3'.
- Αυτό το ψυγείο έχει αισθητήρα θερμοκρασίας στο τμήμα της ψύξης. Θα ξεκινήσει και θα σταματήσει αυτόματα το συμπιεστή όπως χρειάζεται.

ΣΥΝΑΓΕΡΜΟΣ ΠΟΡΤΑΣ

Όταν η πόρτα του ψυγείου ή της κατάψυξης μείνει ανοιχτή για ένα λεπτό τότε θα ακουστεί ένας ήχος τρεις φορές. Αν η πόρτα παραμείνει ανοιχτή ο συναγερμός θα επαναλαμβάνεται κάθε 30 δευτερόλεπτα.

ΑΥΤΟΕΛΕΓΧΟΣ

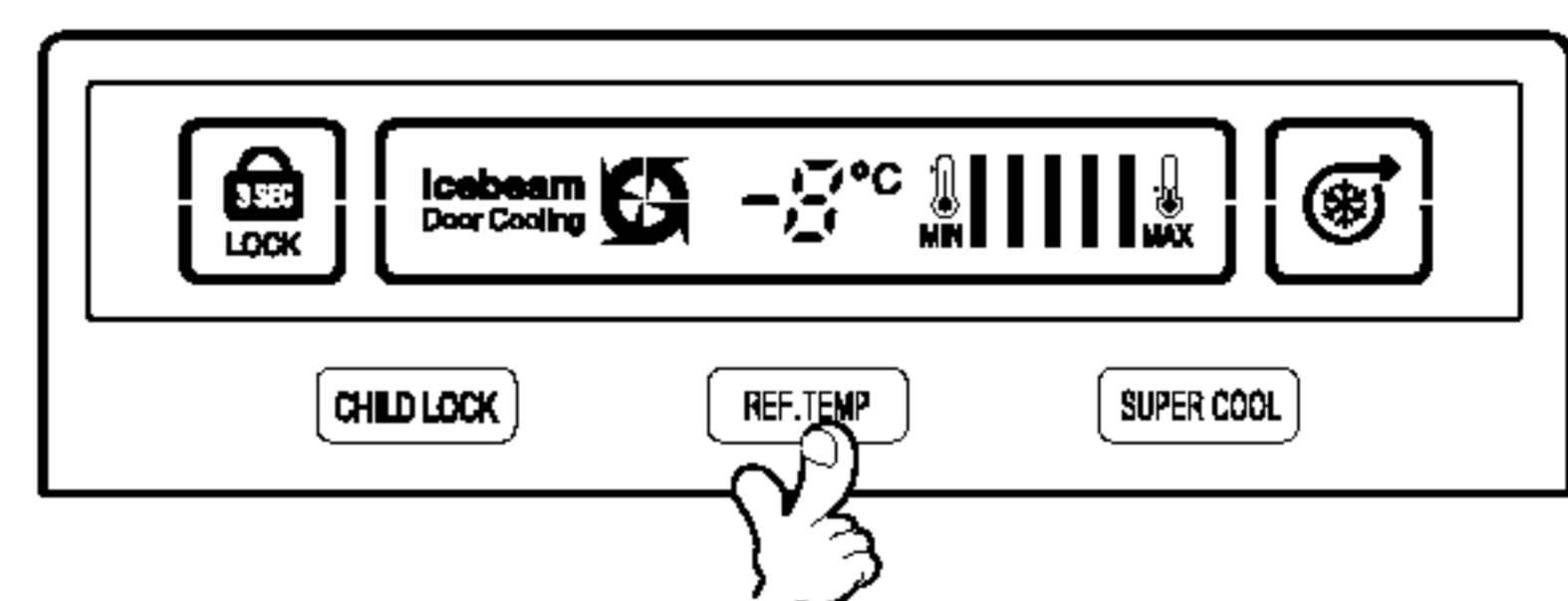
- Το ψυγείο σας περιλαμβάνει ενσωματωμένη διαγνωστική δυνατότητα. Αν υπάρξει κάποια δυσλειτουργία σε συγκεκριμένες περιοχές θα εμφανίσει ένα κωδικό λάθους για να βοηθήσει τον τεχνικό που θα κάνει την επισκευή. Κατά τη διάρκεια που ο κωδικός λάθους εμφανίζεται οι άλλες λειτουργίες ελέγχου και οι άλλες ενδείξεις δεν θα λειτουργούν.
- Αν ένας κωδικός λάθους εμφανιστεί επικοινωνήστε με το κέντρο της συντήρησης. Μην αποσυνδέσετε το καλώδιο της τροφοδοσίας από την πρίζα.

ΚΟΥΜΠΙΑ ΘΑΛΑΜΟΥ ΣΥΝΤΗΡΗΣΗΣ

Για να ελέγξετε τη θερμοκρασία της ψύξης του ψυγείου πιέστε το πλήκτρο REF TEMP.

Η θερμοκρασία ρυθμίζεται σε πέντε βήματα από την ελάχιστη ψύξη (MIN) μέχρι τη μέγιστη ψύξη (MAX).

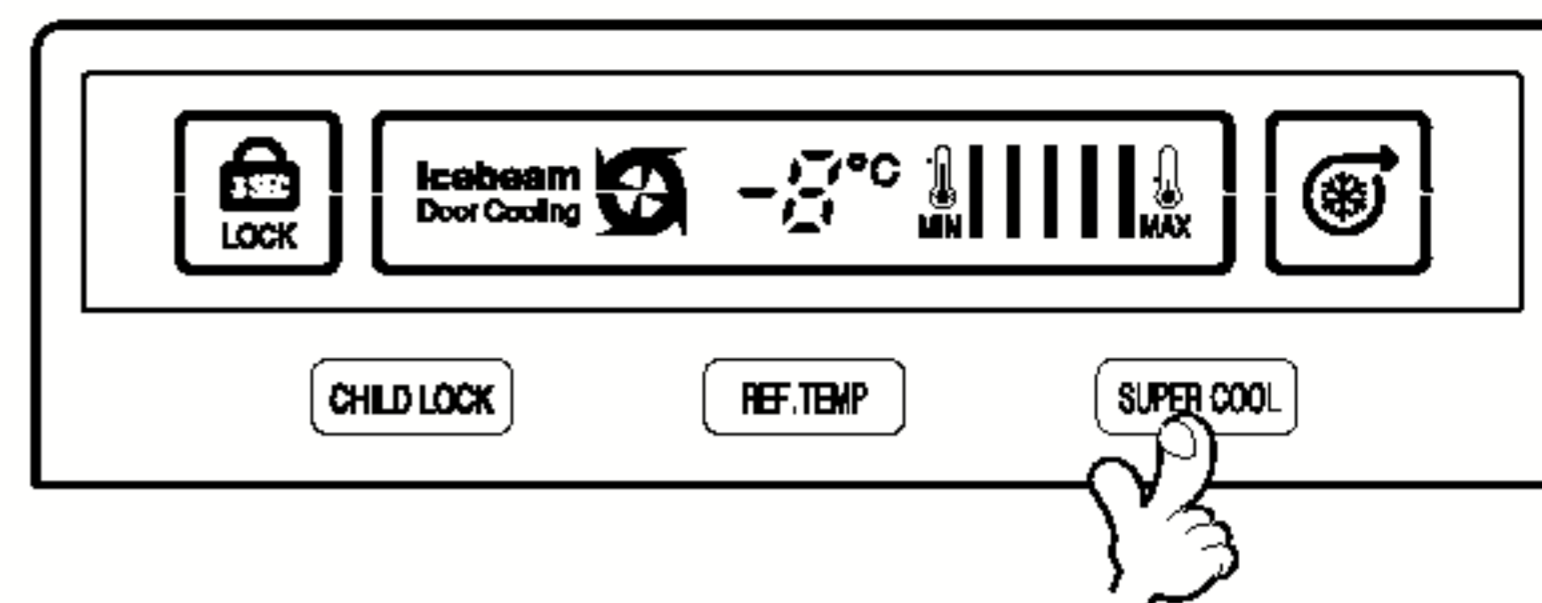
(MIN = η πιο υψηλή θερμοκρασία,
MAX = η πιο χαμηλή θερμοκρασία)



ΛΕΙΤΟΥΡΓΙΕΣ

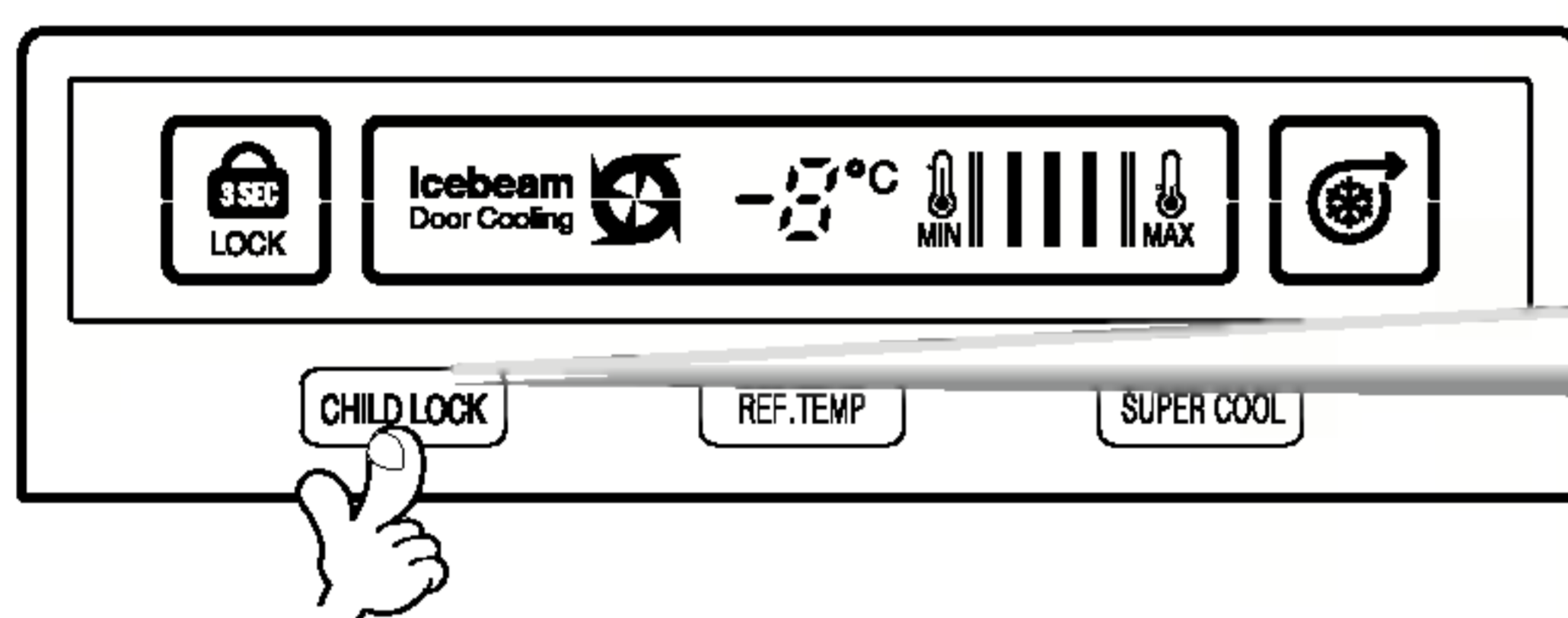
ΤΑΧΕΙΑ ΨΥΞΗ

- Η λειτουργία της Σούπερ Ψύξης (Super Cool) λειτουργεί όταν το ψυγείο ενεργοποιείται για πρώτη φορά. Ο συμπιεστής και ο ανεμιστήρας κυκλοφορία του αέρα λειτουργούν με τη μέγιστη δυνατότητα ψύξης για να χαμηλώσει γρήγορα η θερμοκρασία στο ψυγείο. Η λειτουργία αυτή σταματάει αυτόματα.



- Εάν τοποθετήσετε στο ψυγείο ζεστό φαγητό η λειτουργία της Σούπερ Ψύξης (Super Cool) μπορεί να ενεργοποιηθεί με το πλήκτρο στον πίνακα με τα κουμπιά ελέγχου. Η λειτουργία της Σούπερ Ψύξης θα σταματήσει όταν η θερμοκρασία φτάσει στο σωστό επίπεδο ή μπορεί να σταματήσει χειροκίνητα πιέζοντας το πλήκτρο Super Cool.

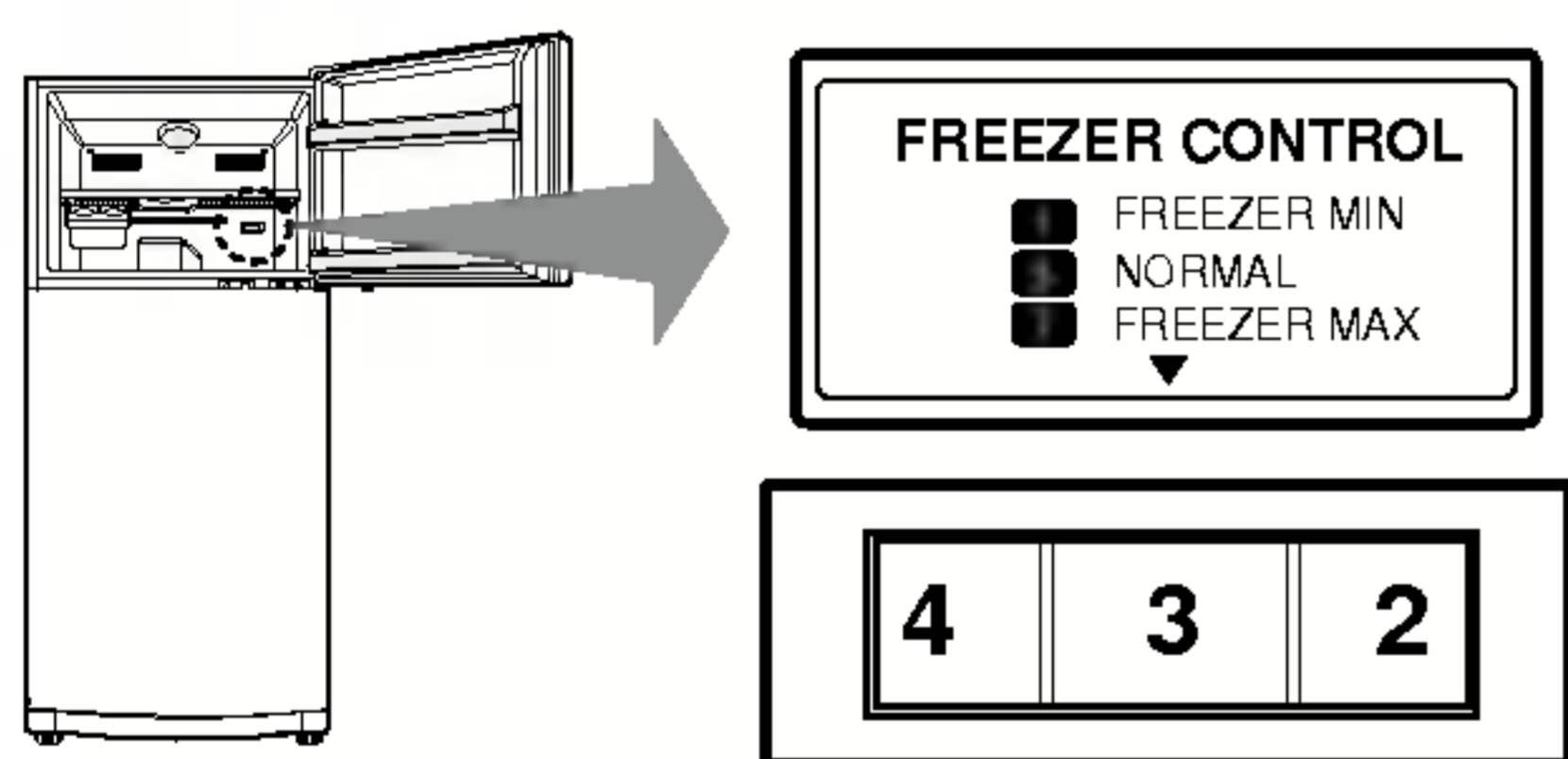
ΚΛΕΙΔΑΡΙΑ ΑΣΦΑΛΕΙΑΣ ΠΑΙΔΙΩΝ



ΚΛΕΙΔΑΡΙΑ ΑΣΦΑΛΕΙΑΣ ΠΑΙΔΙΩΝ

Πατήστε και κρατήστε πατημένο το κουμπί CHILD LOCK για 3 δευτερόλεπτα για να κλειδώσετε την ασφάλεια για την προστασία των παιδιών. Όταν είναι κλειδωμένη, η Ασφάλεια LED θα είναι ενεργοποιημένη και το κουμπί Other δεν θα λειτουργεί. Για να ξεκλειδώσετε, πατήστε και κρατήστε πατημένο το κουμπί CHILD LOCK για 3 δευτερόλεπτα.

ΚΟΥΜΠΙΑ ΘΑΛΑΜΟΥ ΚΑΤΑΨΥΞΗΣ



- Όσο πιο μεγάλος είναι ο αριθμός στον οποίο έχει ρυθμιστεί το κουμπί, τόσο πιο χαμηλά κατεβαίνει η θερμοκρασία στο θάλαμο κατάψυξης.
- Επειδή η θερμοκρασία του θαλάμου συντήρησης και του θαλάμου κατάψυξης ελέγχεται από ορισμένη ποσότητα ψυχρού αέρα, όσο κατεβαίνει η θερμοκρασία του θαλάμου κατάψυξης τόσο ανεβαίνει η θερμοκρασία του θαλάμου συντήρησης.
- Όταν ο θάλαμος κατάψυξης δεν είναι αρκετά ψυχρός το καλοκαίρι, ρυθμίστε το κουμπί πιο ψηλά (4~7).
- Η ρύθμιση του Κουμπιού του Καταψύκτη στο είναι ικανοποιητικό για τα 4 ΑΣΤΕΡΙΑ. Η ρύθμιση του Κουμπιού του Καταψύκτη στο ΚΑΝΟΝΙΚΟ έχει αρκετό αποτέλεσμα ψύξης. Γι' αυτό συνιστάται η ρύθμιση του Κουμπιού στο ΚΑΝΟΝΙΚΟ

ΨΥΞΗ ΠΟΡΤΑΣ ΜΕ ΔΕΣΜΗ ΨΥΧΡΟΥ ΑΕΡΑ

- Οι εξαεριστήρες υπάρχουν για παρέχουν ροή κρύου αέρα στα αντικείμενα που είναι αποθηκευμένα στα ράφια της πόρτας και στο μπροστινό μέρος στα ράφια του ψυγείου.
- Αν μπει νερό ή ξένες ουσίες στις οπές ψυχρού αέρα κατά τον καθαρισμό, κινδυνεύει να πέσει η απόδοση του συστήματος. Επιπλέον, αν χαλάσει το λάστιχο στεγανοποίησης, κινδυνεύει να πέσει η απόδοση του συστήματος λόγω διαρροής ψυχρού αέρα.

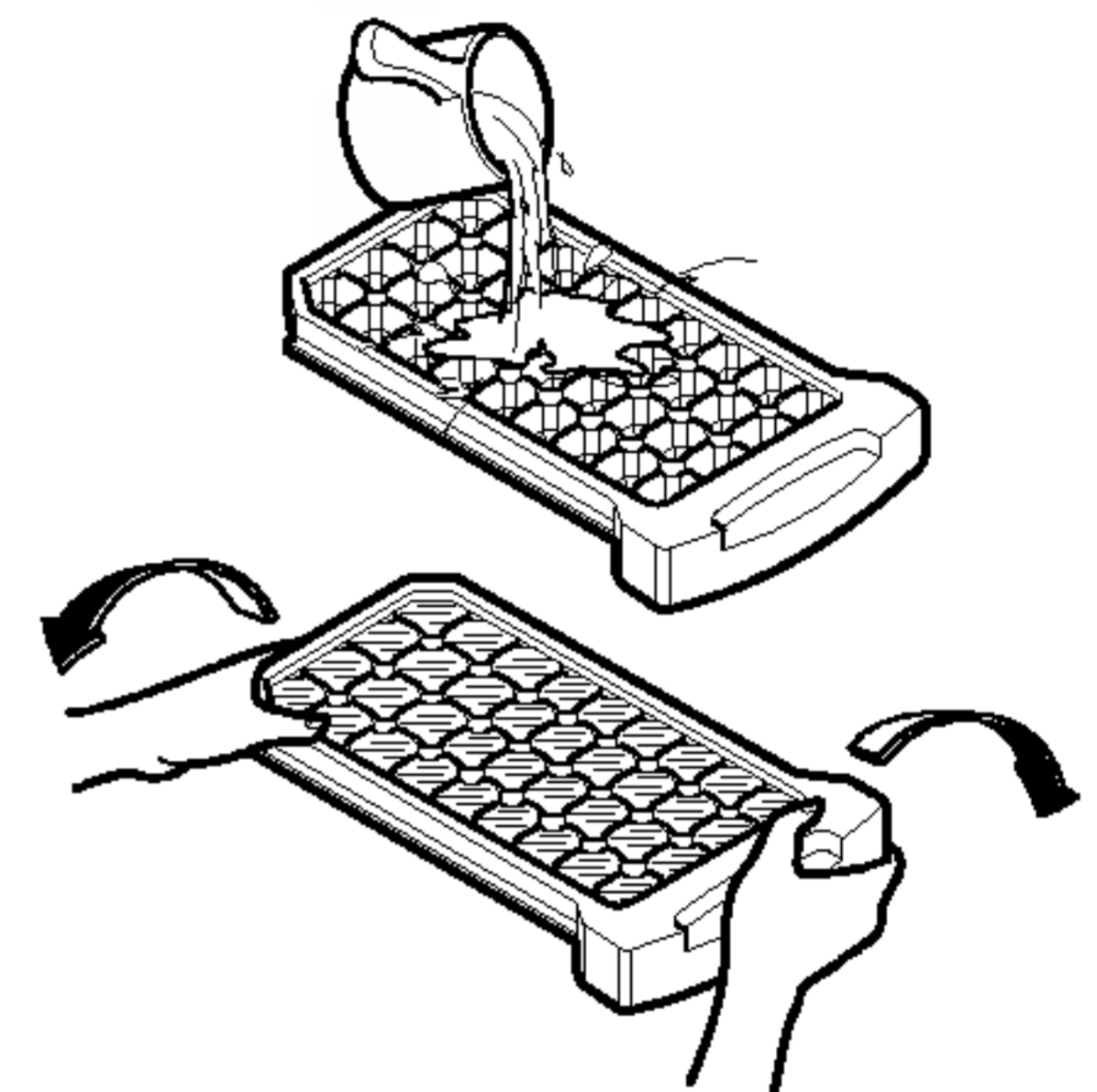


ΠΑΡΑΣΚΕΥΗ ΠΑΓΟΥ (ΠΡΟΑΙΡΕΤΙΚΟ)

Επιλέξτε τον τύπο του συστήματος παραγωγής παγου που έχετε.

Γενικού τύπου

- Για να φτιάξετε παγάκια, γεμίστε την παγολεκάνη με νερό και τοποθετήστε την στο θάλαμο κατάψυξης.
- Για να βγάλετε τα παγάκια από τις θήκες τους, κρατήστε την παγολεκάνη από τις άκρες και συστρέψτε την λιγάκι.

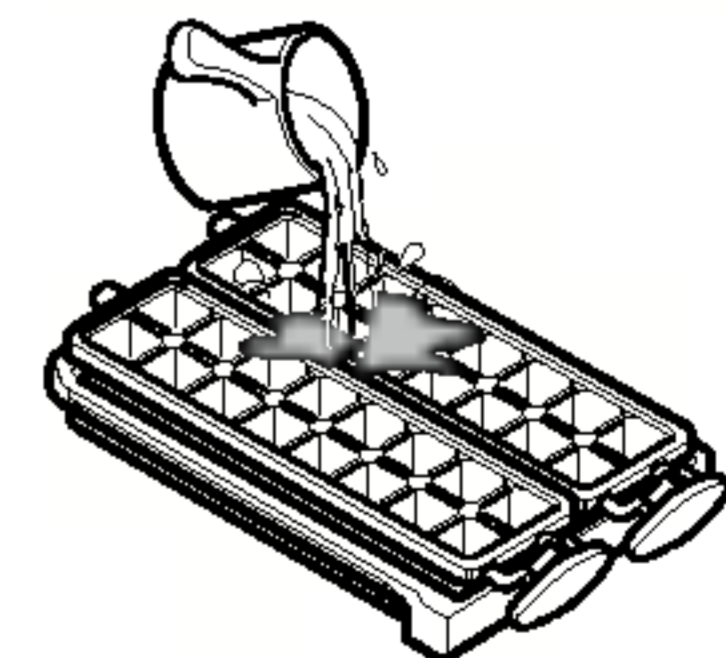
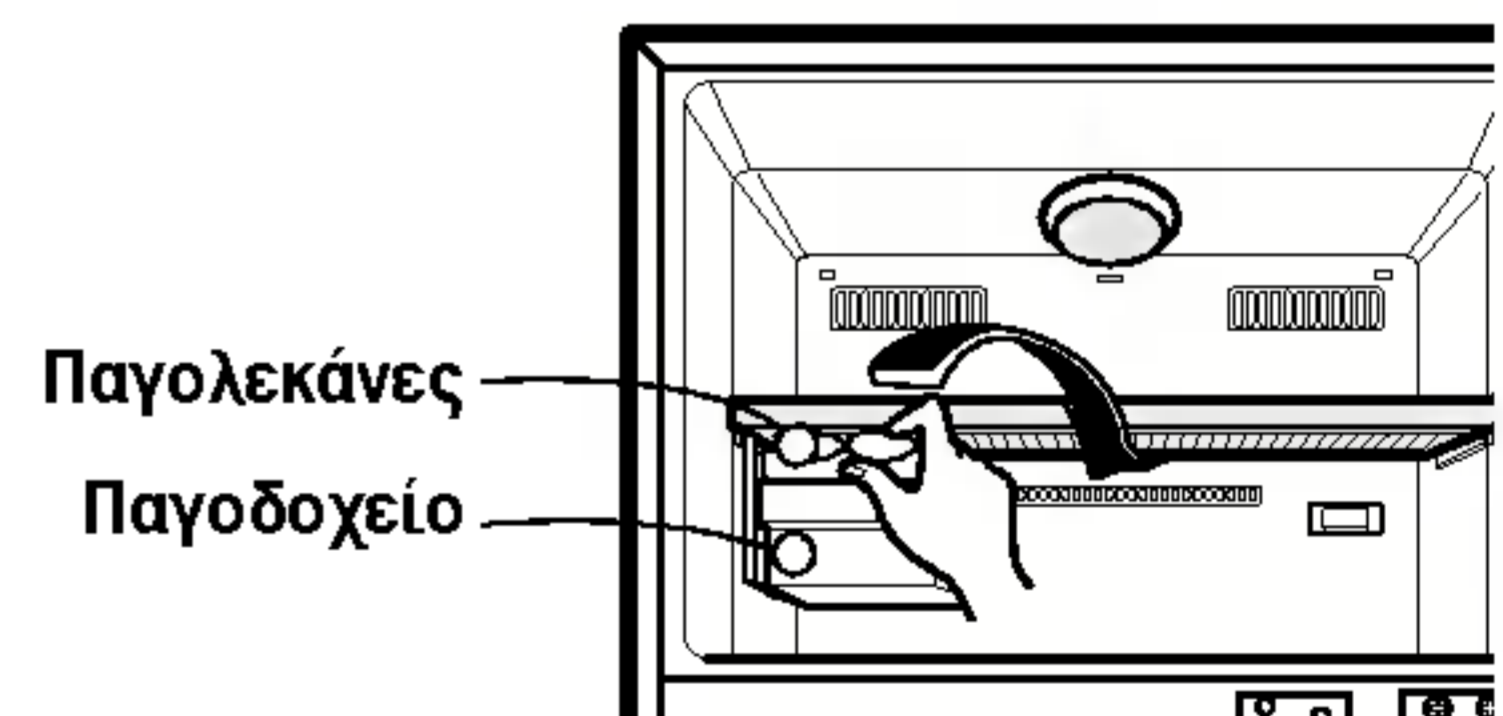


**ΧΡΗΣΙΜΗ
ΣΥΜΒΟΥΛΗ**

- Για να βγάλετε εύκολα τα παγάκια από τις θήκες τους, βάλτε να τρέξει νερό στην παγολεκάνη πριν τη συστρέψετε.

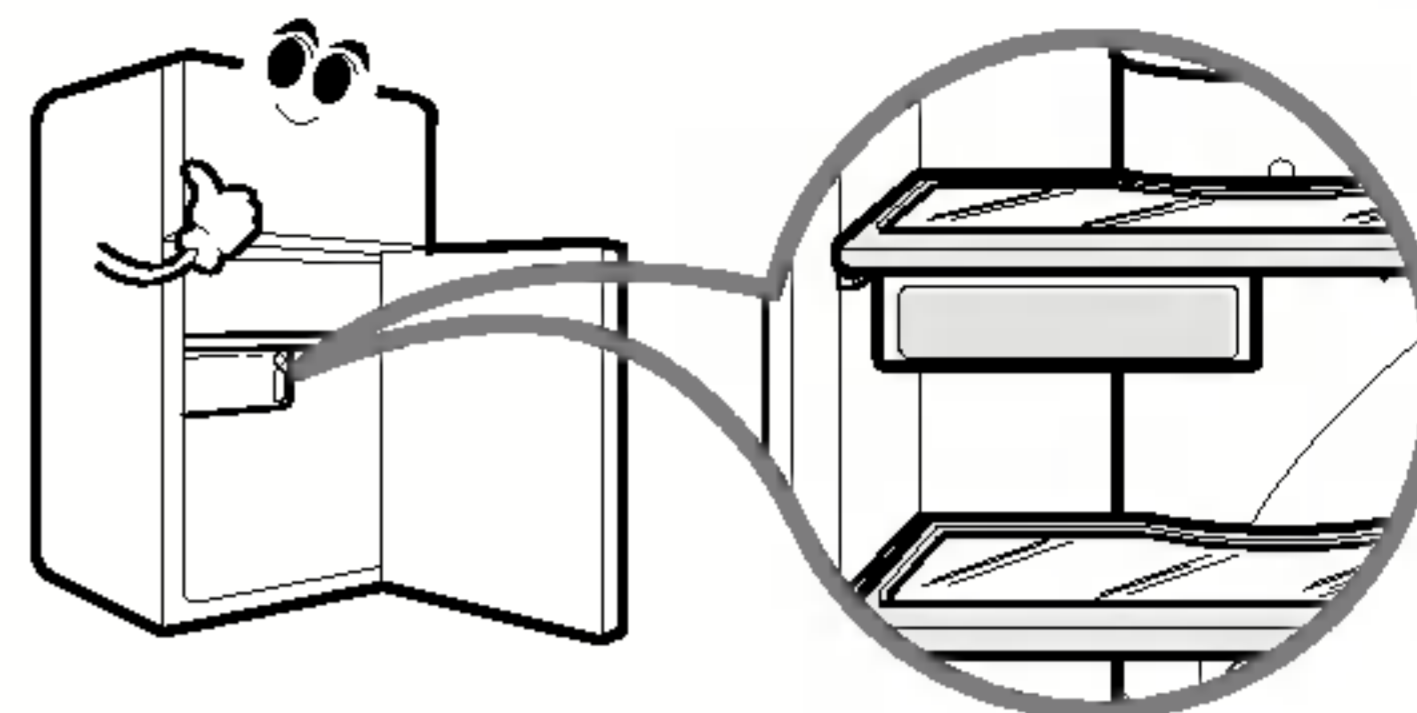
Σύστημα στρεπτικού τύπου

- Για να φτιάξετε παγάκια, γεμίστε την παγολεκάνη με νερό και τοποθετήστε την στη θέση της.
- Για να βγάλετε τα παγάκια από τις θήκες τους, πιάστε το χερούλι της παγολεκάνης και γυρίστε το λιγάκι. Τα παγάκια πέφτουν μέσα στο παγοδοχείο.



ΣΥΡΤΑΡΙ ΓΙΑ ΦΡΕΣΚΑ ΤΡΟΦΙΜΑ (ΠΡΟΑΙΡΕΤΙΚΟ)

- Όταν ανοίγετε την πόρτα, ο ζεστότερος εξωτερικός αέρας δεν επηρεάζει τη θερμοκρασία αυτού του χώρου. Έτσι μπορείτε να διατηρείτε τα τρόφιμα πιο φρέσκα σ' αυτό το χώρο.
- Το ράφι και το εισαγόμενο συρτάρι για φρέσκα τρόφιμα πρέπει να τοποθετούνται στη θέση τους. Αν μετακινηθούν, το συρτάρι για φρέσκα τρόφιμα δεν μπορεί να εκπληρώσει το ρόλο του.

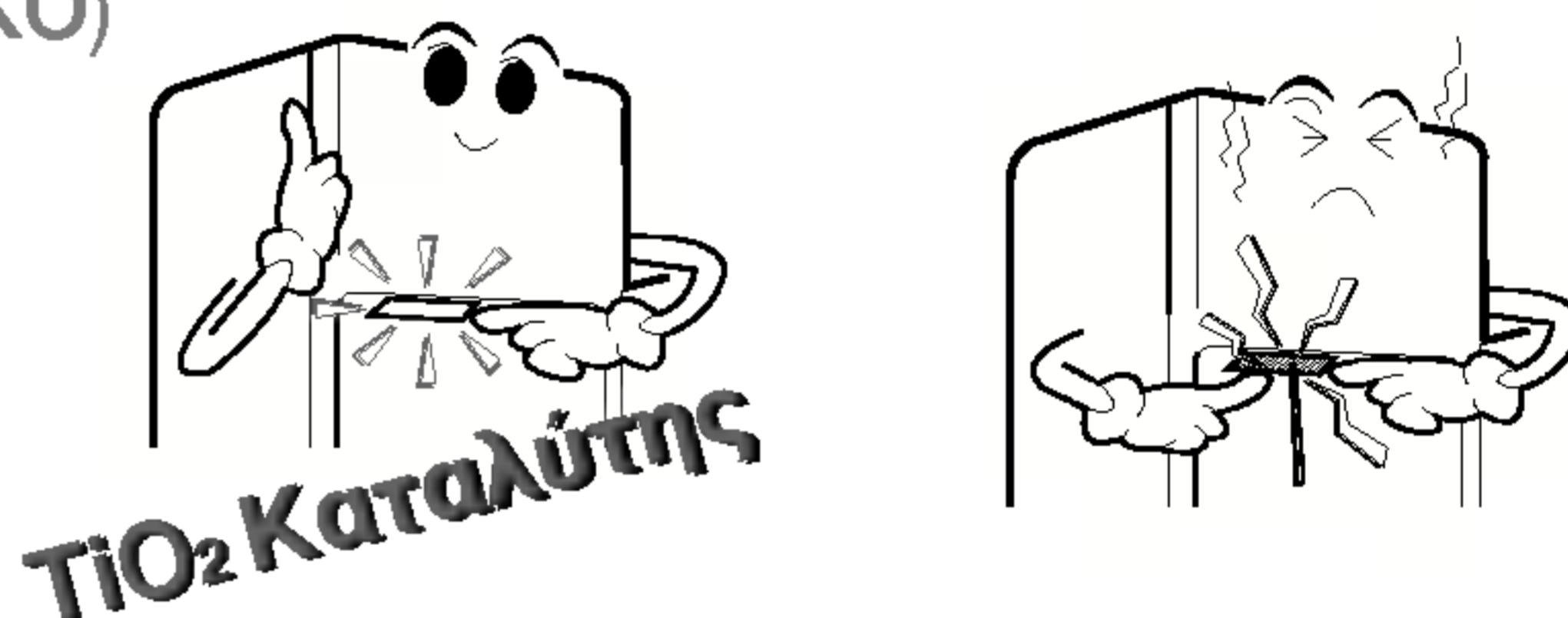


ΑΠΟΨΥΞΗ

- Η απόψυξη γίνεται αυτόματα.
- Το νερό απόψυξης τρέχει και μπαίνει στη λεκάνη εξάτμισης στο πίσω μέρος του ψυγείου από όπου εξατμίζεται αυτόματα.

ΣΥΣΤΗΜΑ ΑΠΟΣΜΗΣΕΩΣ (ΠΡΟΑΙΡΕΤΙΚΟ)

- Χρησιμοποιώντας Καταλύτη TiO_2 εξασφαλίζεται η απόδοση αποσμήσεως του συστήματος.
- Αφαιρούνται οι δυσάρεστες οσμές των τροφίμων του θαλάμου συντήρησης χωρίς κανένα κίνδυνο για την υγεία σας ή τα τρόφιμα.

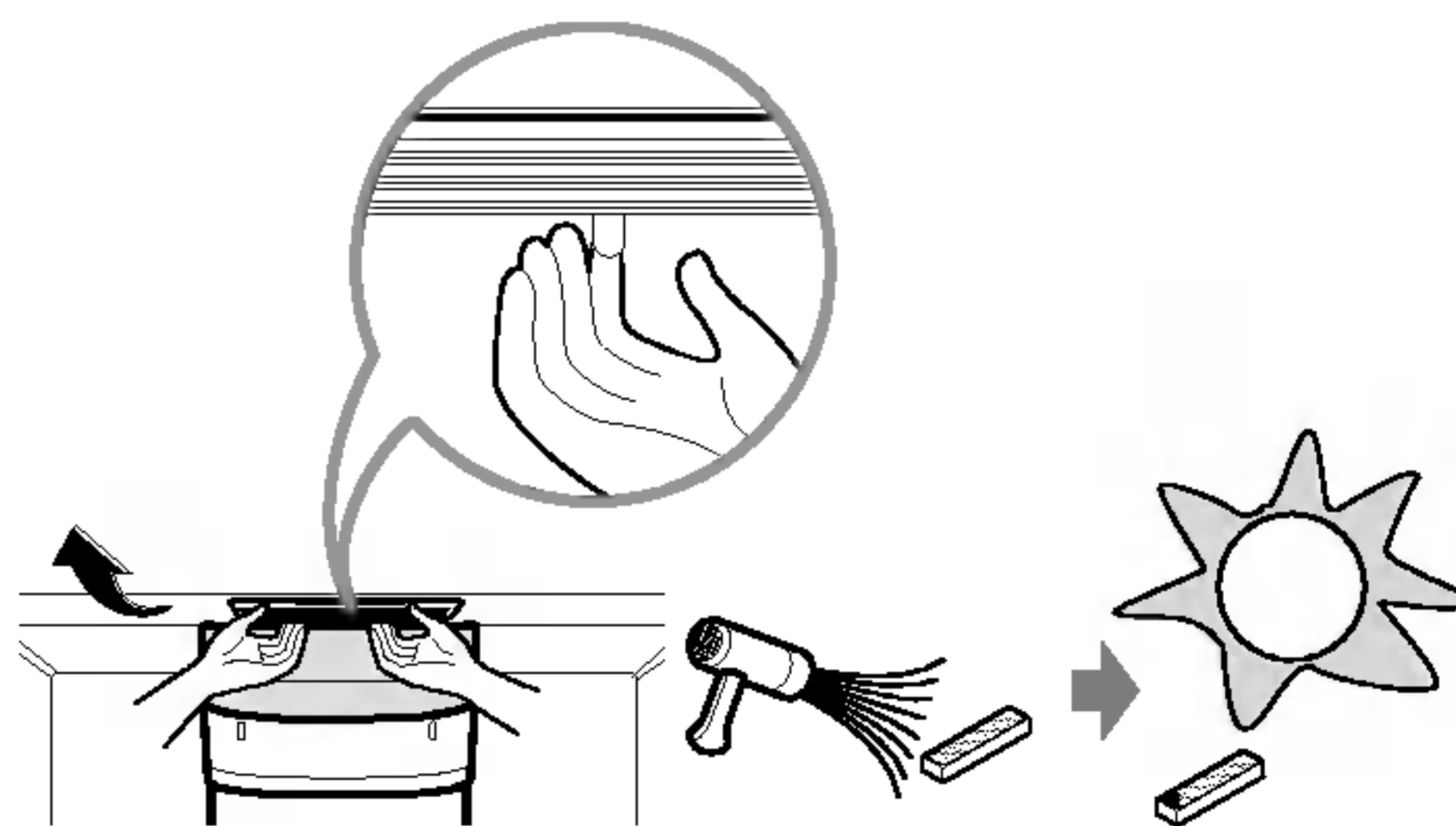


Τρόπος χρήσης

- Επειδή ο καταλύτης βρίσκεται στην έξοδο ψυχρού αέρα ούτως ώστε να κυκλοφορεί στο θάλαμο συντήρησης, δεν χρειάζεται να τον πιάνετε.
- Μην αγγίζετε την έξοδο ψυχρού αέρα με μυτερά αντικείμενα διότι κινδυνεύετε να κάνετε ζημιά στον καταλύτη αποσμήσεως.
- Όταν αποθηκεύετε τρόφιμα με έντονη οσμή, περιτυλίγετε ή τοποθετείτε τα μέσα σε δοχείο που κλείνει με καπάκι διότι η οσμή κινδυνεύει να μεταδοθεί σε άλλα τρόφιμα.

Επαναχρησιμοποίηση του καταλύτη

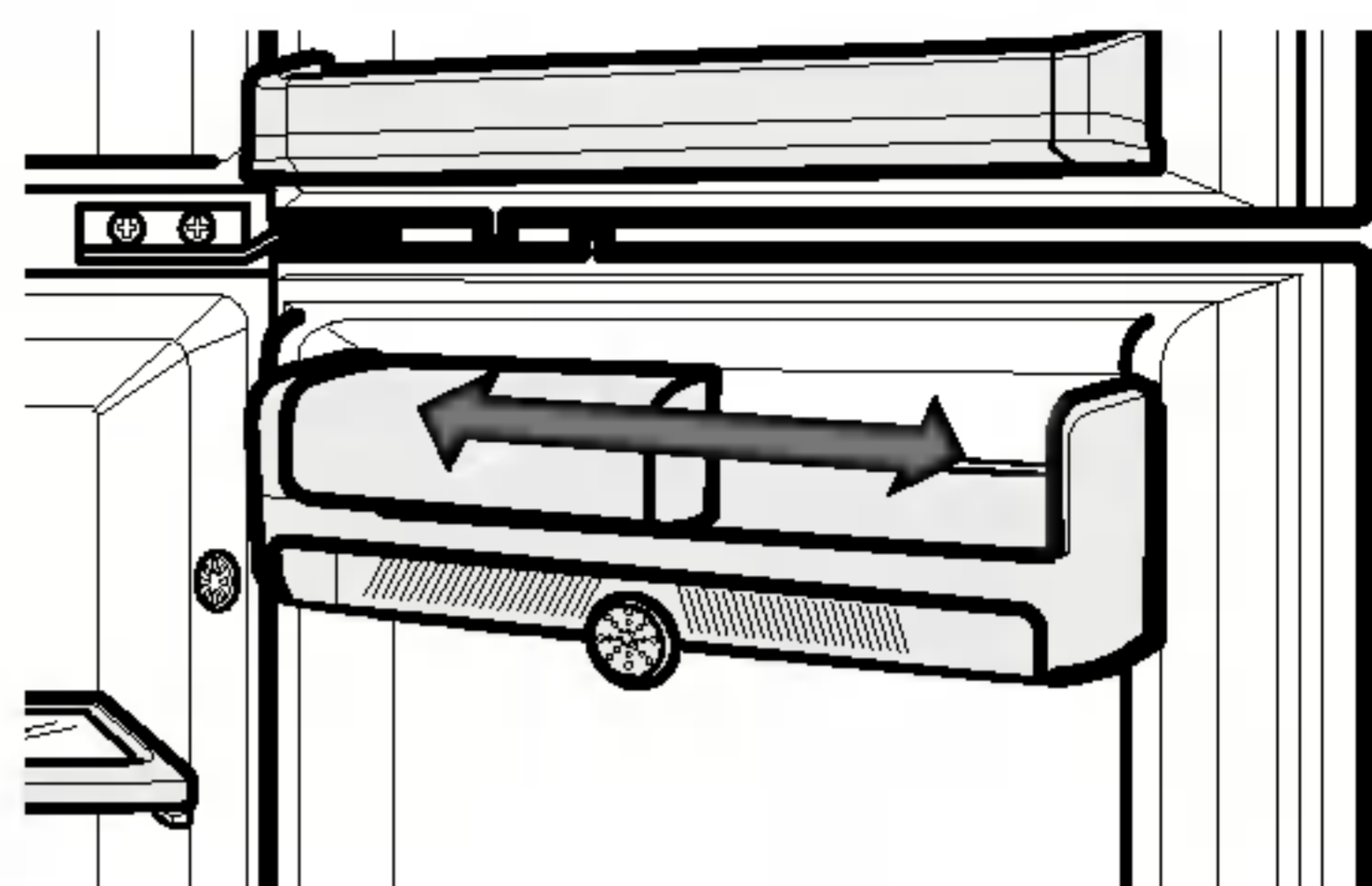
- Όταν ο καταλύτης χρησιμοποιείται για πολύ καιρό και αναδύει έντονη μυρωδιά, μπορείτε να τον επανενεργοποιήσετε και να τον ξαναχρησιμοποιήσετε. Αποσπάστε τον καταλύτη από την οροφή του ψυγείου, χρησιμοποιώντας σεσουάρ μαλλιών στεγνώστε τον, αφαιρέστε την υγρασία και τη δυσοσμία και οξειδώστε τον εκθέτοντάς τον στο φως του ήλιου. Οι υπεριώδεις ακτίνες έχουν την ικανότητα να εξαλείφουν τη δυσοσμία.



ΛΕΙΤΟΥΡΓΙΕΣ

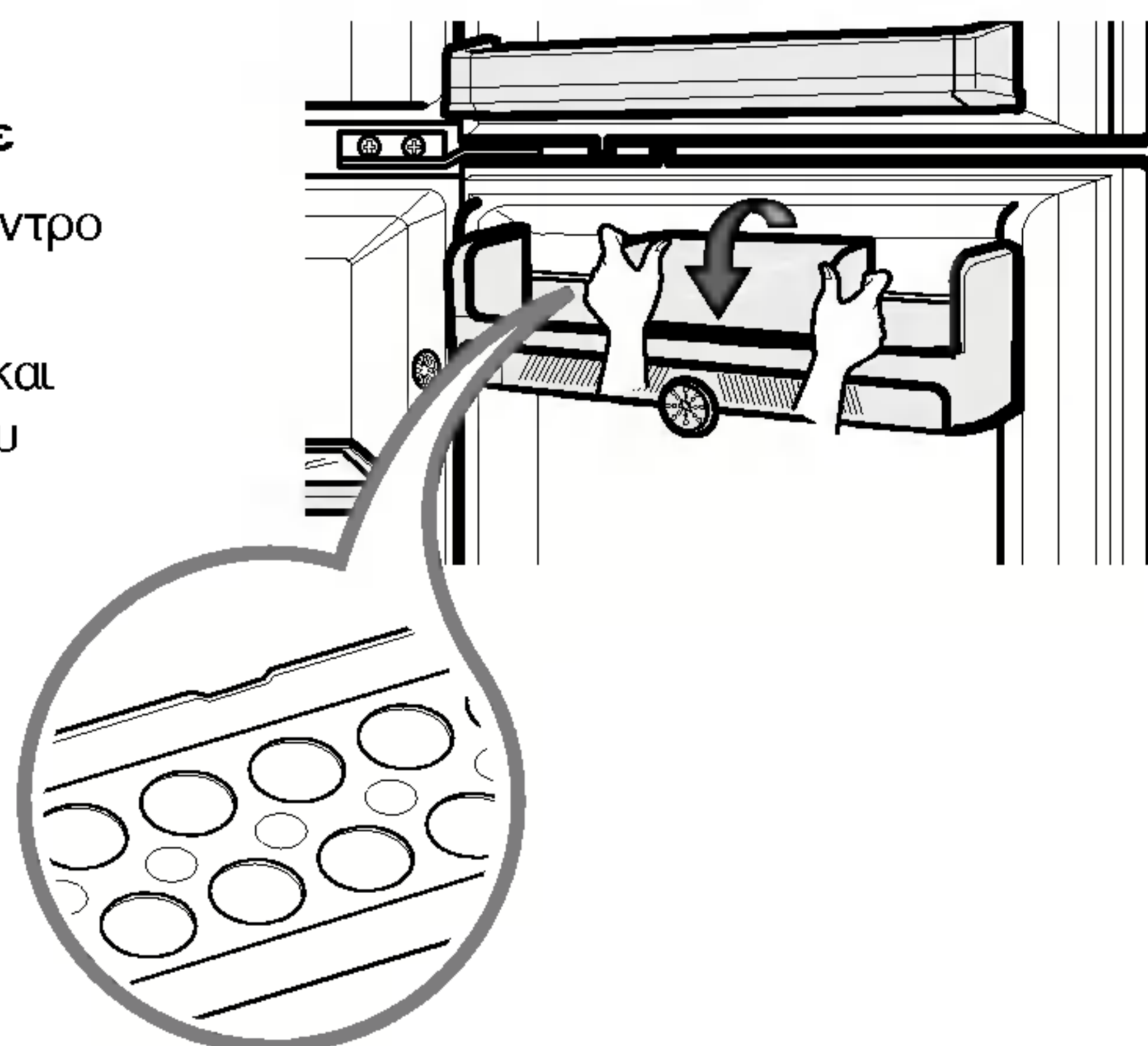
ΓΑΛΑΚΤΟΚΟΜΙΚΩΝ ΠΡΟΪΟΝΤΩΝ (ΠΡΟΑΙΡΕΤΙΚΟ)

- Χρησιμοποιείτε το κινητό μέρος σπρώχνοντας προς τα δεξιά και προς τα αριστερά με τη χειρολαβή που προεξέχει.



Πώς να μετακινήσετε το κάλυμμα όταν καθαρίζετε

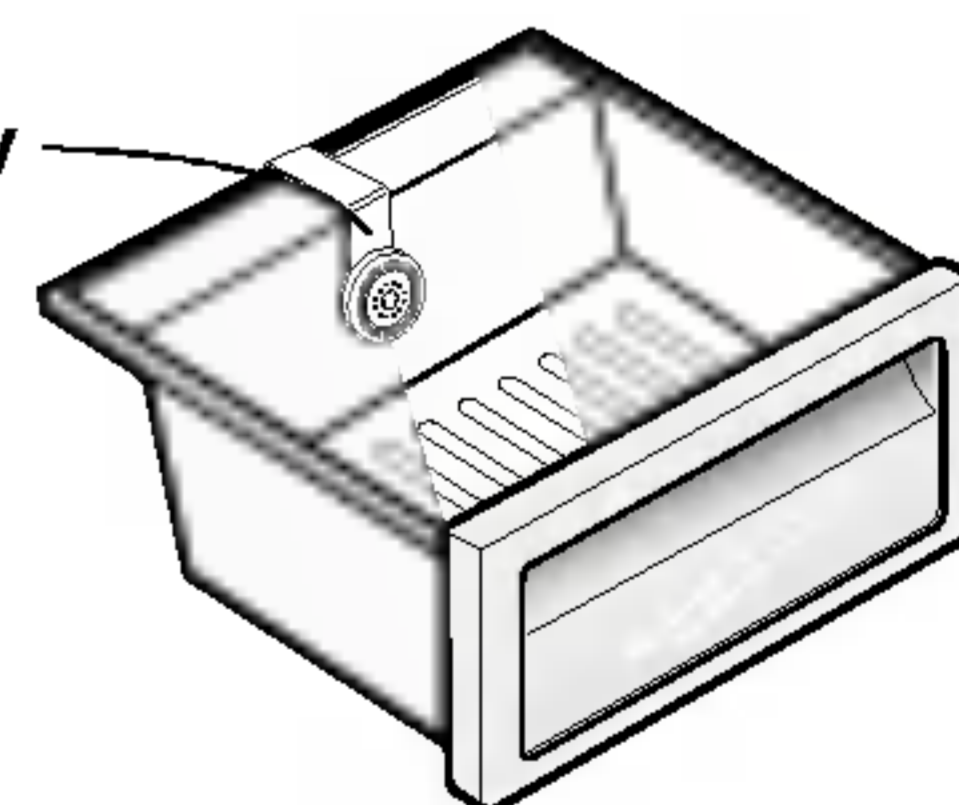
- Πιέστε το κάλυμμα και μετακινήστε το προς το κέντρο του καλαθιού
- Μετακινήστε το κάλυμμα στη μέση του καλαθιού και ευθυγραμμίστε την οπή και με τις δύο πλευρές του καλαθιού
- Αφού το έχετε ευθυγραμμίσει, γυρίστε το καλάθι ξεκινώντας από πίσω προς τα μπροστά και τραβήξτε το και με τα δύο χέρια.



ΣΥΡΤΑΡΙ ΔΙΑΤΗΡΗΣΗΣ ΒΙΤΑΜΙΝΩΝ ΤΩΝ ΛΑΧΑΝΙΚΩΝ (ΠΡΟΑΙΡΕΤΙΚΟ)

- Το ΚΙΤ βιταμινών χρησιμοποιείται για να διατηρείτε τα φρούτα πιο φρέσκα.
- Παρακαλείστε να διατηρείται τη θήκη στεγνή καθώς αν βραχεί αυτό μπορεί να μειώσει την αποτελεσματικότητά της.

ΚΙΤ Βιταμινών



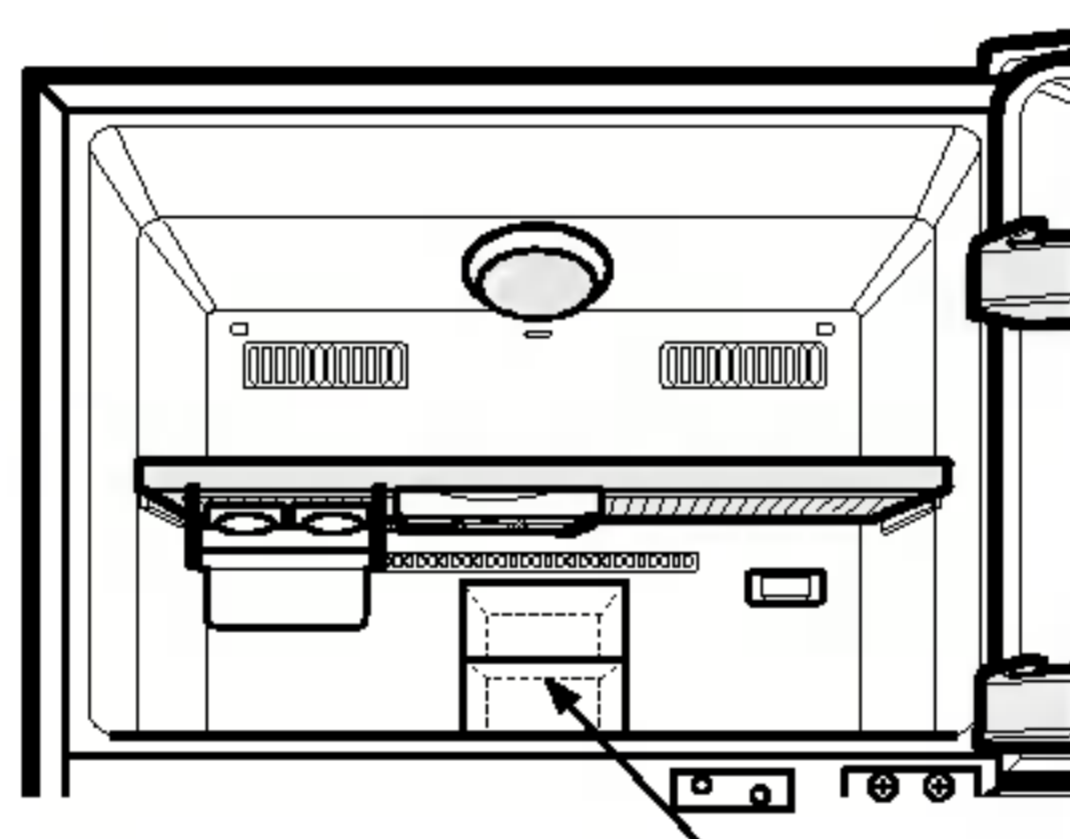
ΥΠΟΔΕΙΞΕΙΣ ΓΙΑ ΤΗΝ ΑΠΟΘΗΚΕΥΣΗ ΤΩΝ ΤΡΟΦΙΜΩΝ

ΑΠΟΘΗΚΕΥΣΗ ΤΩΝ ΤΡΟΦΙΜΩΝ

- Στο θάλαμο συντήρησης αποθηκεύετε φρέσκα τρόφιμα. Ο τρόπος με τον οποίο τα τρόφιμα καταψύχονται και στη συνέχεια ξεπαγώνουν είναι σημαντικός παράγοντας για τη διατήρηση της φρεσκάδας και της γεύσης τους.
- Μην αποθηκεύετε τρόφιμα που χαλούν εύκολα όπως μπανάνες, γκρέιπφρουτ και πεπόνια σε χαμηλές θερμοκρασίες.
- Αφήνετε τα ζεστά φαγητά να κρυώνουν πρώτα πριν τα βάλετε στο ψυγείο. Η τοποθέτηση ζεστών φαγητών στο ψυγείο μπορεί να χαλάσει άλλα φαγητά και επιπλέον να ανεβάσει το λογαριασμό του ρεύματος!
- Όταν αποθηκεύετε το φαγητό, να το σκεπάζετε με φύλλο βινυλίου ή να το βάζετε σε δοχείο με καπάκι. Με τον τρόπο αυτό αποτρέπετε την εξάτμιση της υγρασίας και βοηθάτε το φαγητό να διατηρήσει τη γεύση του και τις θρεπτικές του ιδιότητες.
- Μην φράζετε τις οπές αέρα με τα τρόφιμα. Η ομαλή κυκλοφορία ψυχρού αέρα διατηρεί τις θερμοκρασίες του ψυγείου σε ομαλά επίπεδα.
- Μην ανοίγετε συχνά την πόρτα. Το άνοιγμα της πόρτας επιτρέπει στο ζεστό αέρα να εισέλθει στο ψυγείο και να προκαλέσει την άνοδο της θερμοκρασίας στο εσωτερικό του.

ΘΑΛΑΜΟΣ ΚΑΤΑΨΥΞΗΣ

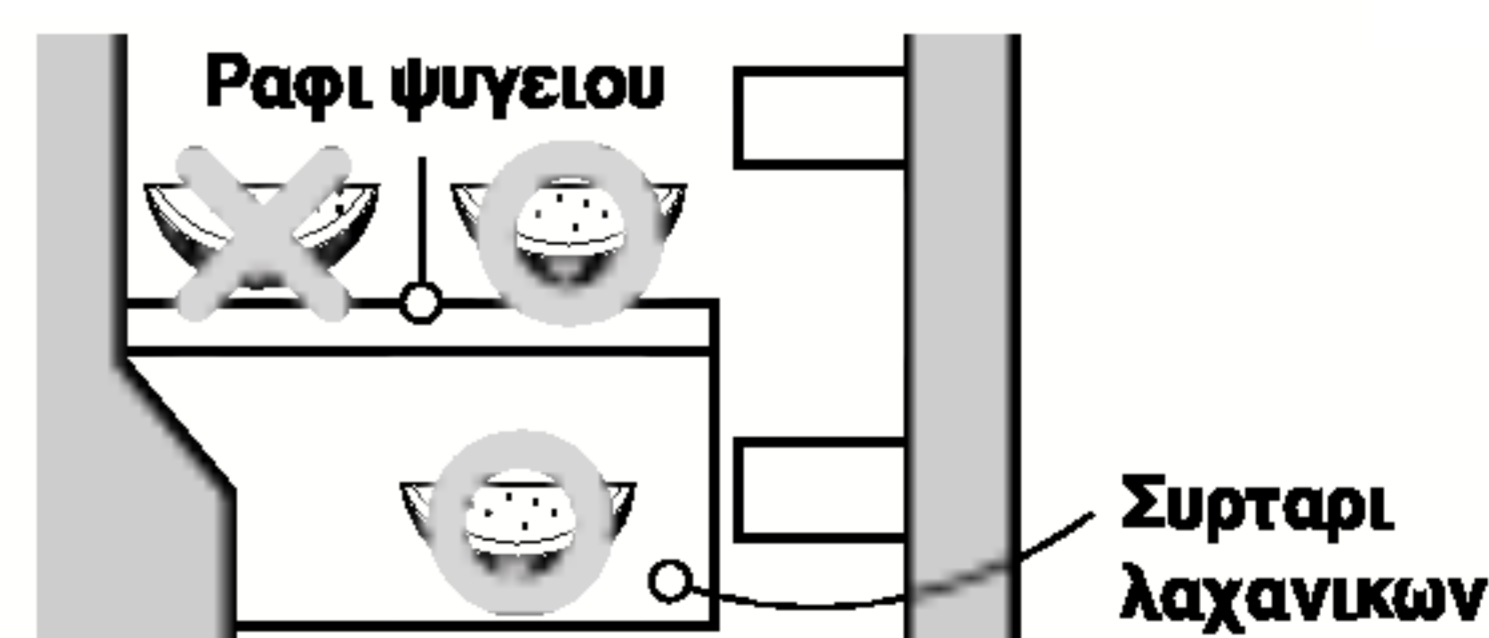
- Μην αποθηκεύετε μπουκάλια στο θάλαμο κατάψυξης διότι μπορεί να σπάσουν όταν παγώσουν.
- Μην καταψύχετε εκ νέου τρόφιμα που έχουν ήδη ξεπαγώσει. Η διαδικασία αυτή προκαλεί απώλεια της γεύσης και των θρεπτικών ιδιοτήτων τους.
- Όταν αποθηκεύετε κατεψυγμένα τρόφιμα όπως παγωτό για παρατεταμένο διάστημα χρόνου, τοποθετείτε τα στο κανονικό ράφι του θαλάμου κατάψυξης και όχι στο ράφι πόρτας.
- Τοποθέτηση στην κατάψυξη - Συνιστάται να τοποθετείτε τα νεοεισαχθέντα τρόφιμα στην παρακάτω θέση για κατάψυξη.



Νεοεισαχθέντα τρόφιμα

ΘΑΛΑΜΟΣ ΣΥΝΤΗΡΗΣΗΣ

- Ζ Αποφεύγετε να τοποθετείτε υγρά τρόφιμα βαθιά στο εσωτερικό των ραφιών του θαλάμου συντήρησης. Μπορεί να παγώσουν όταν θα έρθουν σε επαφή με τον παγωμένο αέρα. Για να το αποφύγετε αποθηκεύετε τα τρόφιμα στο σκεπασμένο δοχείο.
- Συνιστάται όπως τα υγρά τρόφιμα (ειδικά τα λαχανικά και τα φρούτα) να αποθηκεύονται στο θάλαμο αποθήκευσης των λαχανικών. Εάν χρειάζεται να αποθηκεύσετε σε ράφι του θαλάμου συντήρησης, τοποθετήστε τα κοντά στην πόρτα μακριά από την πλάτη του ψυγείου για να αποφύγετε το πάγωμα από τη κυκλοφορία ψύξης στο ψυγείο.
- Όταν αποθηκεύετε αυγά στις αυγοθήκες, ελέγχετε αν είναι φρέσκα και τοποθετείτε τα πάντα σε όρθια θέση. Η θέση αυτή τα διατηρεί φρέσκα περισσότερο καιρό.
- Ράφι πόρτας - Η τοποθέτηση τροφίμων σε όλο το χώρο του ραφιού πόρτας δεν προκαλεί προβλήματα στην απόδοση της συσκευής.



ΚΑΘΑΡΙΣΜΟΣ

Είναι σημαντικό η συσκευή σας να διατηρείται καθαρή για να αποφεύγονται οι ανεπιθύμητες οσμές. Το φαγητό που τυχόν χύνεται θα πρέπει να το σκουπίζετε αμέσως, διότι μπορεί να ξινίσει και να δημιουργήσει λεκέδες στις πλαστικές επιφάνειες. Μην χρησιμοποιείτε ποτέ μεταλλικά σφουγγάρια, βούρτσες, λειαντικά προϊόντα, ισχυρά αλκαλικά διαλυτικά, εύφλεκτα ή τοξικά υγρά καθαρισμού σε καμία επιφάνεια. Για τη διαδικασία καθαρισμού έχετε υπόψη σας ότι δεν πρέπει να αγγίζετε τις παγωμένες επιφάνειες με υγρά ή βρεγμένα χέρια, διότι τα υγρά μέλη προσκολλούνται ή δένονται με τις ιδιαίτερα ψυχρές επιφάνειες.

ΕΞΩΤΕΡΙΚΟ - Χρησιμοποιείτε χλιαρό διάλυμα ελαφριού σαπουνιού ή απορρυπαντικού για να καθαρίσετε το μακροχρόνιο φινίρισμα της συσκευής σας. Σκουπίζετε με ένα καθαρό υγρό πανί και κατόπιν στεγνώνετε.

ΕΣΩΤΕΡΙΚΟ - Συνιστάται τακτικός καθαρισμός του εσωτερικού της συσκευής και των εσωτερικών εξαρτημάτων της. Χρησιμοποιείτε χλιαρό διάλυμα ελαφριού σαπουνιού ή απορρυπαντικού για να καθαρίσετε το μακροχρόνιο φινίρισμα της συσκευής σας. Σκουπίζετε με ένα καθαρό υγρό πανί και κατόπιν στεγνώνετε.

ΕΣΩΤΕΡΙΚΑ ΕΞΑΡΤΗΜΑΤΑ - Πλένετε τα ράφια του θαλάμου συντήρησης και του θαλάμου κατάψυξης, τα ράφια πόρτας, τους δίσκους αποθήκευσης και τα μαγνητικά συστήματα στεγανοποίησης πόρτας. Χρησιμοποιείτε χλιαρό διάλυμα ελαφριού σαπουνιού ή απορρυπαντικού για να καθαρίσετε το μακροχρόνιο φινίρισμα της συσκευής σας. Σκουπίζετε με ένα καθαρό υγρό πανί και κατόπιν στεγνώνετε.

ΠΡΟΕΙΔΟΠΟΙΗΣΗ

Βγάζετε πάντα το καλώδιο τροφοδοσίας από την πρίζα ρεύματος πριν από οιαδήποτε διαδικασία καθαρισμού κοντά σε ηλεκτρικά εξαρτήματα (λάμπες, διακόπτες, κουμπιά κλπ).

Σκουπίζετε την περίσσεια υγρασία με ένα σφουγγάρι ή πανί για να εμποδίσετε το νερό ή το υγρό να εισέλθει στα ηλεκτρικά τμήματα και να προκαλέσει ηλεκτροπληξία.

Μην χρησιμοποιείτε εύφλεκτα ή τοξικά υγρά καθαρισμού σε καμία επιφάνεια.

- Προσοχή κατά τον καθαρισμό.
Μην χρησιμοποιείτε: ισχυρές ουσίες καθαρισμού επιφανειών, κεριά στίλβωσης λαμαρίνας, αντιδιαβρωτικά, κάθε είδους λάδια, βενζίνη, οξέα, κεριά.
- Απορρυπαντικό που μπορείτε να χρησιμοποιείτε: Φυτικό διάλυμα πλυσίματος πιάτων, σαπουνόνερο.
- Η χρήση ακατάλληλου προϊόντος μπορεί να επιφέρει αλλαγή στο χρώμα.

ΓΕΝΙΚΕΣ ΠΛΗΡΟΦΟΡΙΕΣ

ΚΑΤΑ ΤΗ ΔΙΑΡΚΕΙΑ ΤΩΝ ΔΙΑΚΟΠΩΝ

Κατά τις διακοπές μέσης διάρκειας, είναι μάλλον προτιμότερο να αφήνετε τη συσκευή σε λειτουργία. Τοποθετείτε τα προϊόντα που καταψύχονται στον καταψύκτη για μεγαλύτερη διάρκεια ζωής.

Αν αποφασίσετε να μην αφήσετε σε λειτουργία τη συσκευή, αφαιρέστε όλα τα τρόφιμα, βγάλτε το φις από την πρίζα ρεύματος, καθαρίστε πλήρως το εσωτερικό της και αφήστε τη πόρτα ΑΝΟΙΚΤΗ για να αποτρέψετε τη δημιουργία οσμών.

ΣΕ ΠΕΡΙΠΤΩΣΗ ΔΙΑΚΟΠΗΣ ΡΕΥΜΑΤΟΣ

Οι περισσότερες διακοπές ρεύματος οι οποίες αποκαθίστανται μία ή δύο ώρες αργότερα δεν επηρεάζουν τις θερμοκρασίες της συσκευής σας. Ωστόσο, θα πρέπει να ελαχιστοποιείτε το άνοιγμα και κλείσιμο της πόρτας όσο δεν υπάρχει ρεύμα. Κατά τις διακοπές ρεύματος μεγαλύτερης διάρκειας, τοποθετείτε ένα τεμάχιο στεγνού πάγου πάνω στις κατεψυγμένες συσκευασίες.

ΣΕ ΠΕΡΙΠΤΩΣΗ ΜΕΤΑΚΟΜΙΣΗΣ

Αφαιρέστε ή δέστε με ασφάλεια όλα τα χαλαρά εξαρτήματα που βρίσκονται μέσα στη συσκευή.

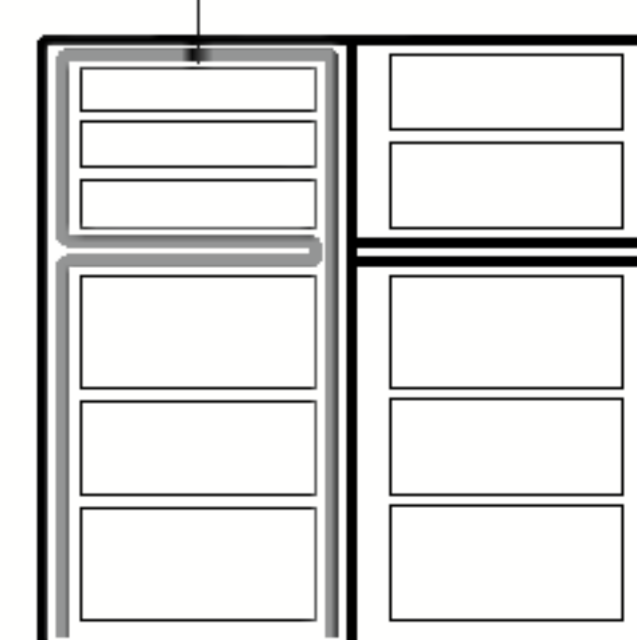
Για να μην κάνετε ζημιά στις βίδες ρύθμισης ύψους, βιδώστε τις μέχρι τέρμα στη βάση.

ΣΩΛΗΝΑΣ ΠΡΟΣΤΑΣΙΑΣ ΚΑΤΑ ΤΗΣ ΣΥΜΠΥΚΝΩΣΗΣ

Το εξωτερικό τοίχωμα της συσκευής μερικές φορές μπορεί να ζεσταθεί ιδίως μετά την εγκατάσταση.

Μην ανησυχίσετε. Αυτό οφείλεται στο σωλήνα προστασίας κατά της συμπύκνωσης ο οποίος αντλεί μέσα από τη συσκευή για να αποτρέψει το «ιδρώμα» του εξωτερικού τοιχώματος της συσκευής.

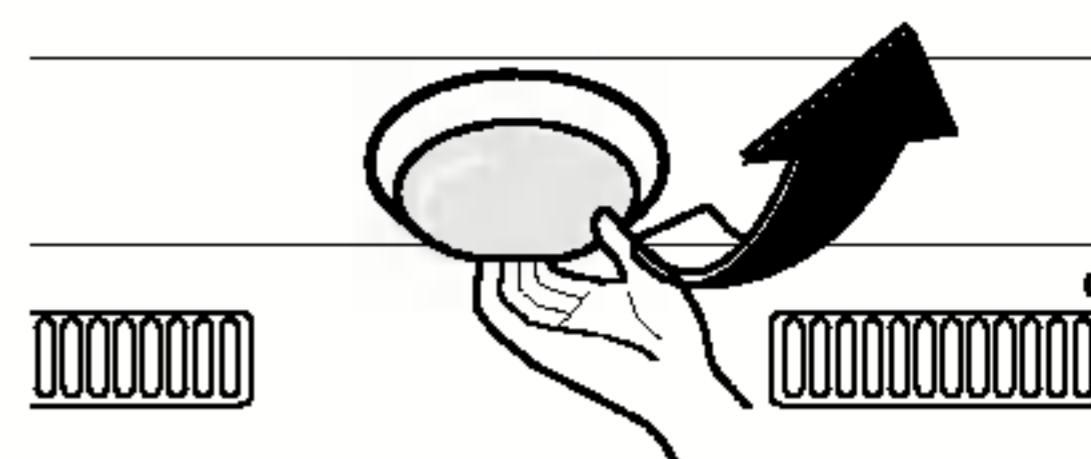
Σωλήνας προστασίας κατά της συμπύκνωσης



ΑΛΛΑΓΗ ΤΩΝ ΛΑΜΠΩΝ

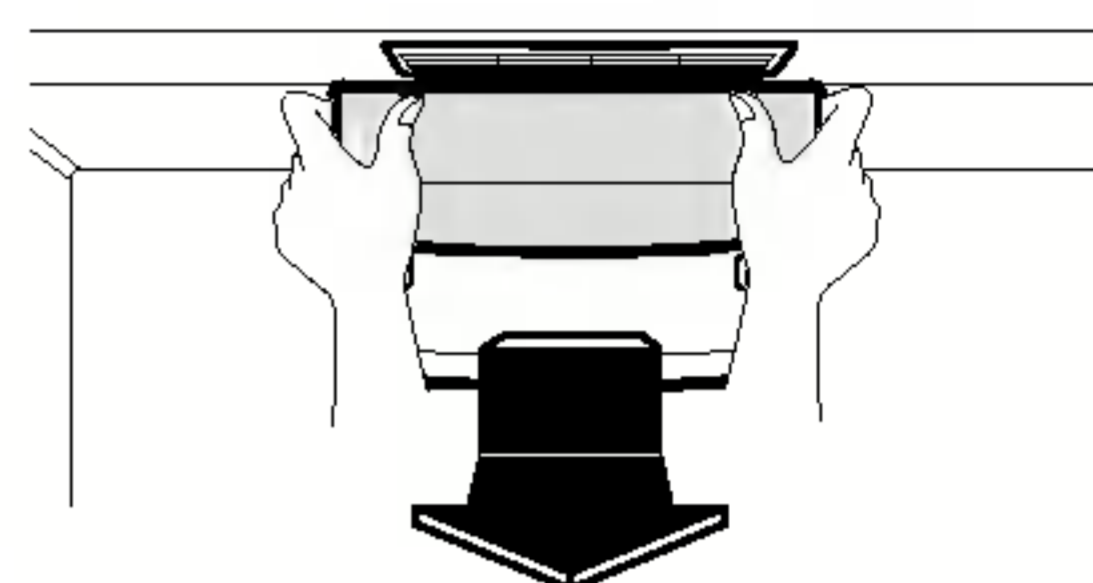
ΛΑΜΠΑ ΘΑΛΑΜΟΥ ΚΑΤΑΨΥΞΗΣ

Για να βγάλετε το κάλυμμα της λάμπας του θαλάμου κατάψυξης, βάλτε το χέρι σας πίσω από το κάλυμμα και τραβήξτε το προς τα εμπρός, όπως απεικονίζεται δεξιά.



ΛΑΜΠΑ ΘΑΛΑΜΟΥ ΣΥΝΤΗΡΗΣΗΣ

Για να βγάλετε το κάλυμμα της λάμπας του θαλάμου συντήρησης, τραβήξτε το προς τα κάτω πιέζοντας ταυτόχρονα με τον αντίχειρά σας την τριγωνική περιοχή, και στη συνέχεια τραβήξτε το προς τα εμπρός, όπως απεικονίζεται δεξιά.



ΣΗΜΑΝΤΙΚΕΣ ΠΡΟΕΙΔΟΠΟΙΗΣΕΙΣ

ΜΗΝ ΧΡΗΣΙΜΟΠΟΙΕΙΤΕ ΠΡΟΕΚΤΑΣΗ ΚΑΛΩΔΙΟΥ

Αν είναι δυνατόν, συνδέετε το ψυγείο με τη δική του ατομική πρίζα ρεύματος ούτως ώστε να αποφύγετε την υπερφόρτωση του ίδιου ή άλλων συσκευών ή των φώτων του σπιτιού η οποία μπορεί να προκαλέσει βλάβη στο ηλεκτρικό δίκτυο.

ΕΥΚΟΛΙΑ ΠΡΟΣΒΑΣΗΣ ΣΤΗΝ ΠΡΙΖΑ ΡΕΥΜΑΤΟΣ

Το ψυγείο θα πρέπει να τοποθετείται με τέτοιο τρόπο ώστε η πρίζα ρεύματος να φτάνεται εύκολα και να αποσυνδέεται γρήγορα σε περίπτωση ατυχήματος.

ΑΛΛΑΓΗ ΚΑΛΩΔΙΟΥ ΤΡΟΦΟΔΟΤΗΣΗΣ

Αν το καλώδιο τροφοδότησης πάθει ζημιά, θα πρέπει να αντικατασταθεί από τον κατασκευαστή, από εξουσιοδοτημένο κέντρο σέρβις του κατασκευαστή ή από άτομο με ανάλογη ειδικευση για να αποφευχθεί ο κίνδυνος ατυχήματος.

ΣΧΕΤΙΚΑ ΜΕ ΤΗ ΓΕΙΩΣΗ

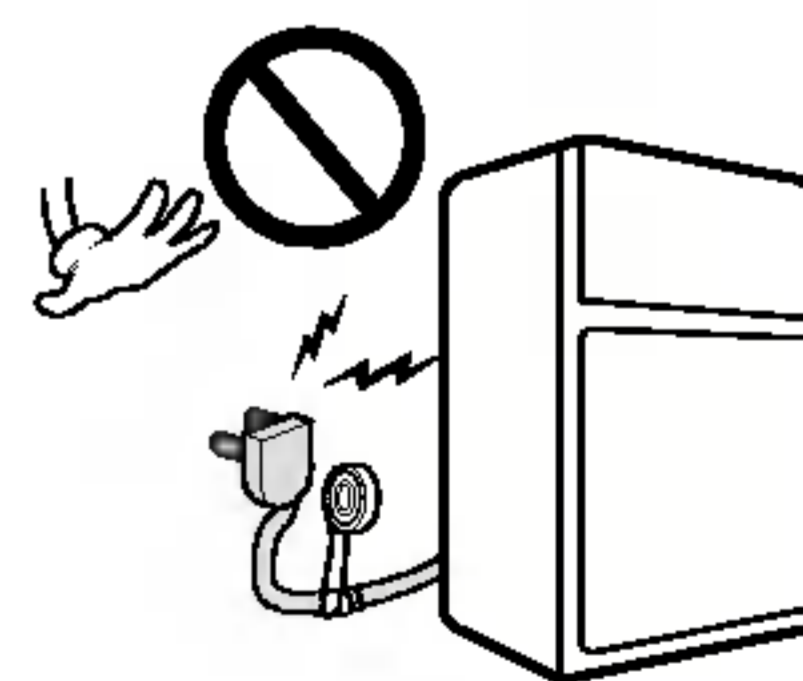
Σε περίπτωση βραχυκυκλώματος, η γείωση μειώνει τον κίνδυνο ηλεκτροπληξίας παρέχοντας αγωγό διαφυγής του ηλεκτρικού ρεύματος.

Για να αποφύγετε πιθανή ηλεκτροπληξία, αυτή η συσκευή πρέπει να γειωθεί.

Η ακατάλληλη χρήση της γειωμένης πρίζας μπορεί να οδηγήσει σε ηλεκτροπληξία. Συμβουλευθείτε ένα ηλεκτρολόγο ή άτομο εξουσιοδοτημένου κέντρου σέρβις αν δεν καταλαβαίνετε καλά τις οδηγίες για τη γείωση ή αν έχετε αμφιβολίες για τη σωστή γείωση της συσκευής.

ΜΗΝ ΤΡΟΠΟΠΟΙΕΙΤΕ Η ΕΠΕΚΤΕΙΝΕΤΕ ΤΟ ΜΗΚΟΣ ΤΟΥ ΚΑΛΩΔΙΟΥ ΤΡΟΦΟΔΟΣΙΑΣ

Μπορεί να προκληθεί ηλεκτροπληξία ή φωτιά.



ΜΕΓΑΛΟΣ ΠΕΙΡΑΣΜΟΣ

Ένα άδειο ψυγείο αποτελεί μεγάλο πειρασμό για τα παιδιά που τα τραβά να μπουν μέσα. Αφαιρέστε τα λάστιχα, τα κλείθρα, τα καπάκια ή ολόκληρη την πόρτα από την αχρηστεμένη συσκευή σας ή κάντε ότι μπορείτε για να την καταστήσετε αβλαβή.

Αυτή η συσκευή πρέπει να γειωθεί

**ΜΗΝ ΠΕΡΙΜΕΝΕΤΕ!
ΚΑΝΤΕ ΤΟ ΤΩΡΑ!**

Μην αποθηκεύετε εύφλεκτα, εκρηκτικά ή χημικά υλικά στο ψυγείο

ΠΡΙΝ ΤΗΛΕΦΩΝΗΣΕΤΕ ΣΤΟ ΣΕΡΒΙΣ

ΤΑ ΤΗΛΕΦΩΝΗΜΑΤΑ ΣΤΟ ΣΕΡΒΙΣ ΚΑΜΙΑ ΦΟΡΑ ΕΙΝΑΙ ΠΕΡΙΤΤΑ!

ΑΝ ΑΝΤΙΛΗΦΘΕΙΤΕ ΟΤΙ ΤΟ ΨΥΓΕΙΟ ΣΑΣ ΔΕΝ ΛΕΙΤΟΥΡΓΕΙ ΚΑΝΟΝΙΚΑ, ΠΡΙΝ ΤΗΛΕΦΩΝΗΣΕΤΕ ΣΤΟ ΣΕΡΒΙΣ, ΕΛΕΓΞΕ ΑΝ ΥΦΙΣΤΑΝΤΑΙ ΟΙ ΠΑΡΑΚΑΤΩ ΑΙΤΙΕΣ ΒΛΑΒΗΣ:

ΠΡΟΒΛΗΜΑ	ΠΙΘΑΝΕΣ ΑΙΤΙΕΣ
ΤΟ ΨΥΓΕΙΟ ΔΕΝ ΛΕΙΤΟΥΡΓΕΙ	<ul style="list-style-type: none">• Ελέγξτε μήπως έχει καεί η σχετική ασφάλεια ή αν έχει πέσει ο αυτόματος διακόπτης ισχύος.• Ελέγξτε μήπως έχει βγει ή χαλαρώσει το φως από την ηλεκτρική πρίζα τοίχου.
Η ΘΕΡΜΟΚΡΑΣΙΑ ΤΟΥ ΘΑΛΑΜΟΥ ΣΥΝΤΗΡΗΣΗΣ Ή ΤΟΥ ΘΑΛΑΜΟΥ ΚΑΤΑΨΥΞΗΣ ΕΙΝΑΙ ΠΟΥ ΥΨΗΛΗ	<ul style="list-style-type: none">• Η θερμοκρασία δεν έχει ρυθμιστεί στη σωστή θέση.• Η συσκευή έχει τοποθετηθεί πολύ κοντά σε τοίχο ή πηγή θερμότητας.• Κάνει ζέστη και ανοίγετε πολύ συχνά την πόρτα.• Η πόρτα έχει μείνει ανοικτή πολλή ώρα.• Υπάρχουν υπερβολικές ποσότητες τροφίμων στο ψυγείο.
ΜΗ ΦΥΣΙΟΛΟΓΙΚΟΣ(ΟΙ) ΘΟΡΥΒΟΣ(ΟΙ)	<ul style="list-style-type: none">• Το ψυγείο έχει εγκατασταθεί σε ασταθές ή ανώμαλο δάπεδο, ή η βίδα αλφαδιάσματος χρειάζεται ρύθμιση.• Έχουν τοποθετηθεί άχρηστα αντικείμενα πίσω από το ψυγείο.
ΑΝΑΔΥΟΝΤΑΙ ΟΣΜΕΣ ΑΠΟ ΤΟ ΨΥΓΕΙΟ	<ul style="list-style-type: none">• Τα τρόφιμα με έντονες οσμές πρέπει να σκεπάζονται ή να περιτυλίσσονται.• Το εσωτερικό του ψυγείου χρειάζεται καθαρίσμα.
ΣΧΗΜΑΤΙΖΕΤΑΙ ΔΡΟΣΙΑ ΣΤΗΝ ΕΠΙΦΑΝΕΙΑ ΤΩΝ ΕΣΩΤΕΡΙΚΩΝ ΤΟΙΧΩΜΑΤΩΝ	<ul style="list-style-type: none">• Αποτελεί συνηθισμένο φαινόμενο κατά τις περιόδους υψηλής υγρασίας.• Μπορεί να έχει μείνει μισάνοιχτη η πόρτα.

