



# **FRIDGE-FREEZER**

## **User's Guide**

### **GC-181SA**

Please read this User's Guide carefully before operating and keep it handy for reference at all times.

# Table of Contents

<b>Introduction</b>	Important Safety Instruction	4
	Identification of Parts	6
<b>Installation</b>	Location	7
	Installation with/without Top Table	7
	Adjusting Leveling Screws	8
<b>Operation</b>	Starting	9
	Temperature Control	9
	Defrost	10
<b>Suggestion On Food storage</b>	Storing food	11
	Freezer Compartment	11
	Refrigerator Compartment	11
<b>Care and Maintenance</b>	General Information	12
	Lamp Replacing	13
	Cleaning	13
<b>Trouble Shooting</b>	Trouble Shooting	14
<b>To Reverse the Doors</b>	How to Reverse the Door	16
	How to Reverse the Eva Door	17
	Door handle(Optional)	18

## Important Safety Instruction

### Precaution

**This fridge-freezer must be properly installed and located in accordance with the Installation Instruction before it is used.**

**Never unplug your fridge-freezer by pulling on the power cord.** Always grip plug firmly and pull straight out from the outlet.

**When moving your appliance away from the wall, be careful not to roll over or damage the power cord.**

**After your fridge-freezer is in operation, do not touch the cold surfaces in the freezer compartment, particularly when hands are damp or wet.** Skin may adhere to these extremely cold surfaces.

Pull out the power plug prior to cleaning the fridge-freezer.

Never damage, severely bend, pull out, or twist the power cord because power cord damage may cause a fire or electronic shock.

Never place glass products in the freezer because they may be broken when their inner contents are frozen.

### Don't Use an Extension Cord

If possible, connect the fridge-freezer to its own individual electrical outlet to prevent it and other appliances or household lights from causing an overload.

### Accessibility of Supply Plug

The supply plug of the refrigerator-freezer should be placed in easy accessible position for quick disconnection in emergency.

### Supply Cord Replacement

If the supply cord is damaged, it must be replaced by the manufacturer or its service agent or a similarly qualified person in order to avoid a hazard.

## Important Safety Instruction

### Danger

Risk of child entrapment.

Before you throw away your old refrigerator or freezer:

Take off the doors.

Leave the shelves in place so that children may not easily climb inside.

### Don't store

Don't store or use gasoline or other flammable vapors and liquids in the vicinity of this or any other appliance.

### Grounding (Earthing)

In the event of an electric short circuit, grounding (earthing) reduces the risk of electric shock by providing an escape wire for the electric current. In order to prevent possible electric shock, this appliance must be grounded. Improper use of the grounding plug can result in an electric shock.

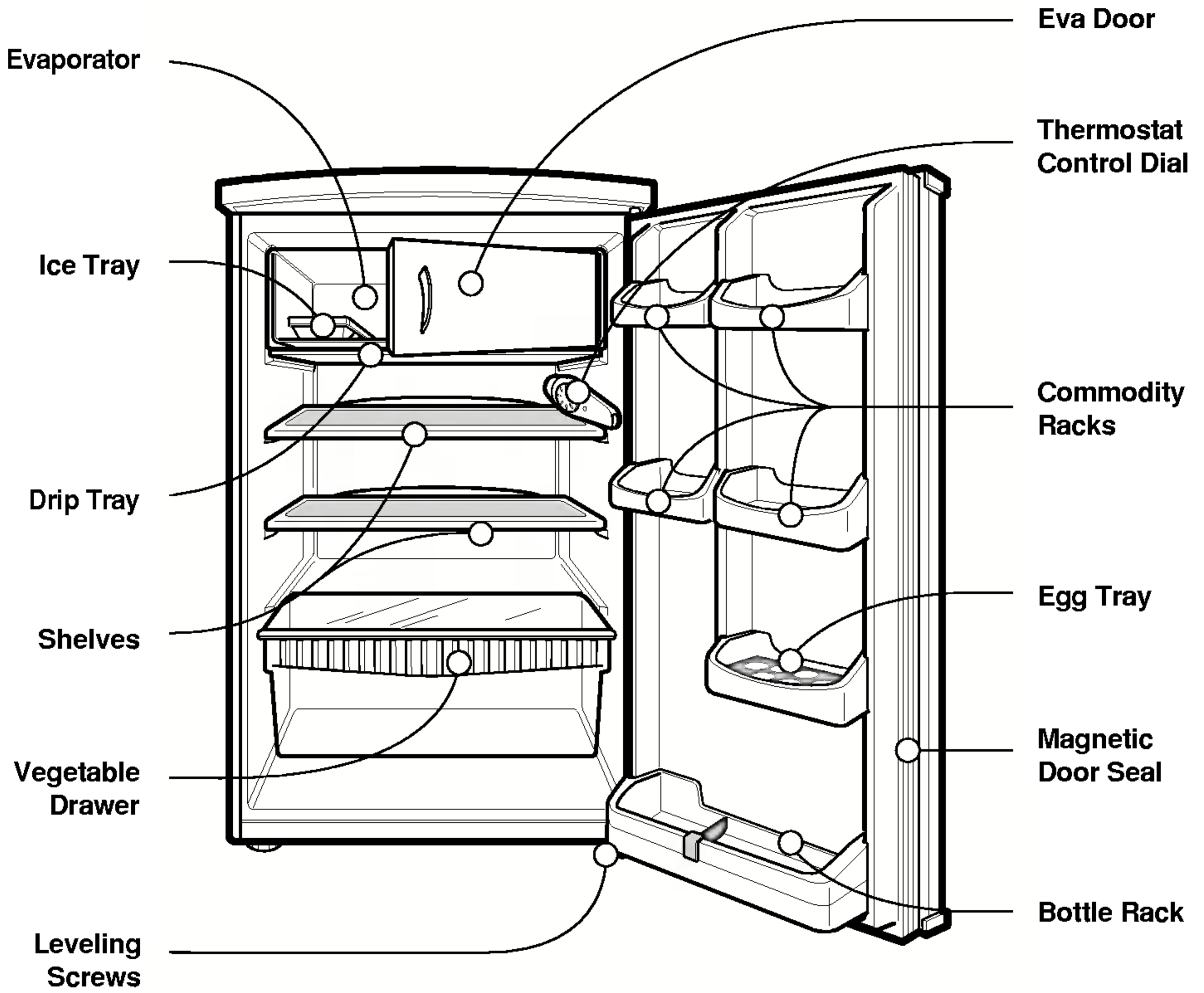
Consult a qualified electrician or service person if the grounding instructions are not completely understood, or if you have doubts on whether the appliance is properly grounded.

### ⚠ Warning

- ⚠ Keep ventilation openings, in the appliance enclosure or in the built-in structure, clear of obstruction.
- ⚠ Do not use mechanical devices or other means to accelerate the defrosting process, other than those recommended by the manufacturer.
- ⚠ Do not damage the refrigerant circuit.
- ⚠ Do not use electrical appliances inside the food storage compartments of the appliance, unless they are of the type recommended by the manufacturer.
- ⚠ The refrigerant and insulation blowing gas used in the appliance require special disposal procedures. At disposal, please consult with service agent or a similarly qualified person.



# Identification of Parts

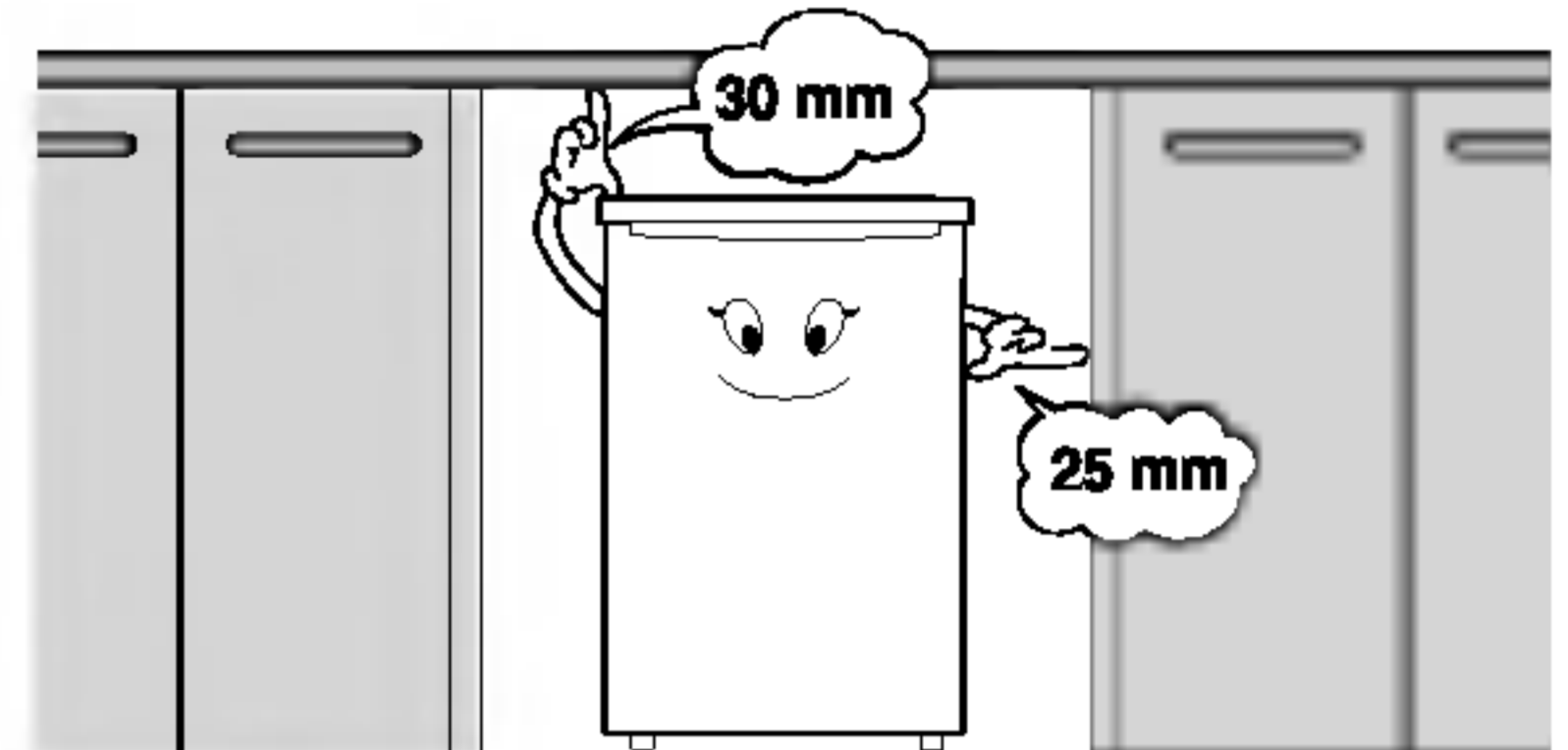


## Location

### ▲ Warning

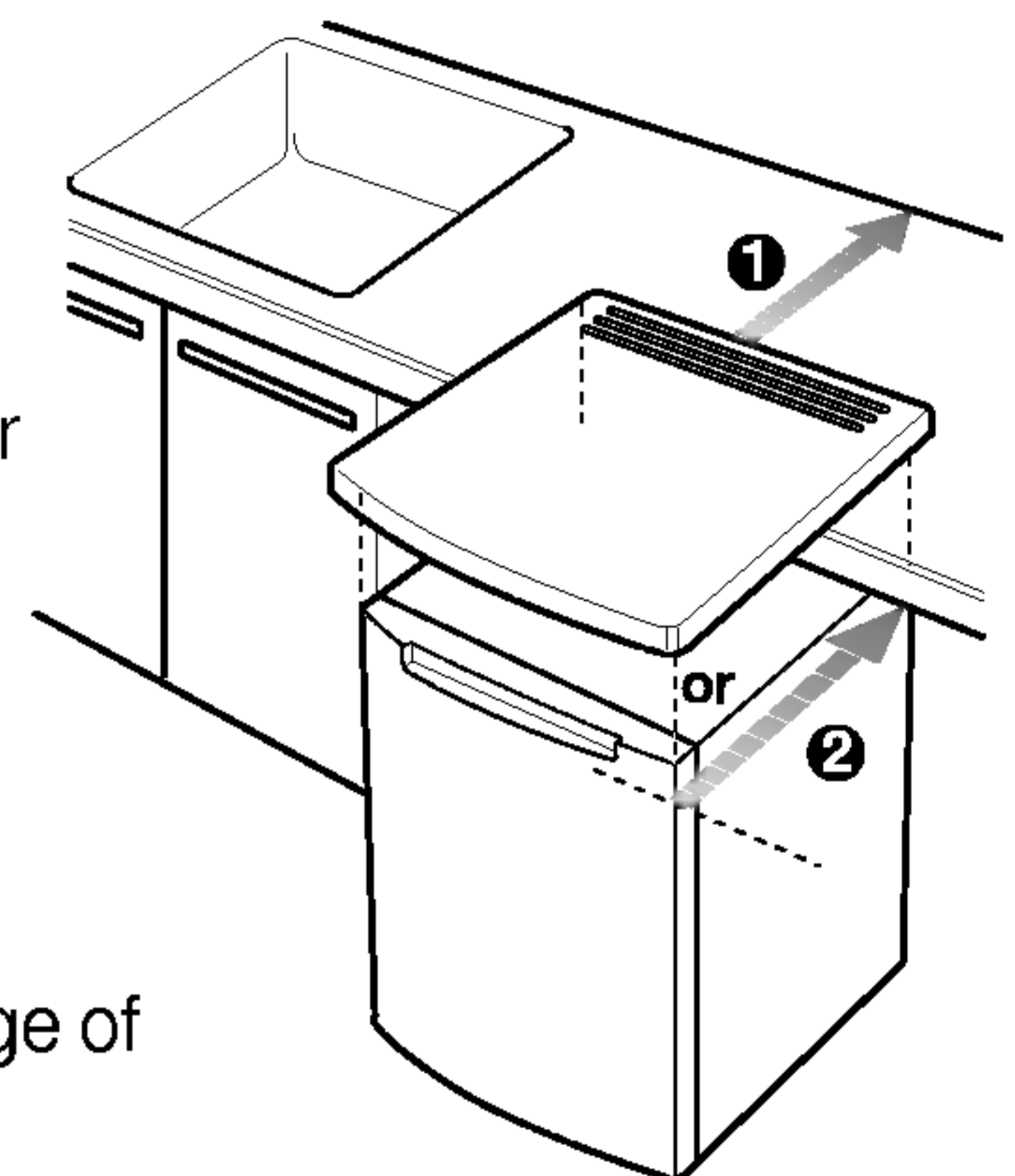
Try not to use the refrigerator for a prolonged time where the temperature drops below 16°C or rises above 32°C.

- Avoid placing the refrigerator near any heat sources, direct sunlight or moisture.
- Sufficient air circulation is essential for the efficient operation of your refrigerator.
- If your refrigerator is placed in a recessed area in the wall, allow at least 30 mm or greater clearance above the refrigerator and 25 mm or more from the wall.
- If the floor is carpeted, the refrigerator should be elevated 25 mm from the floor.



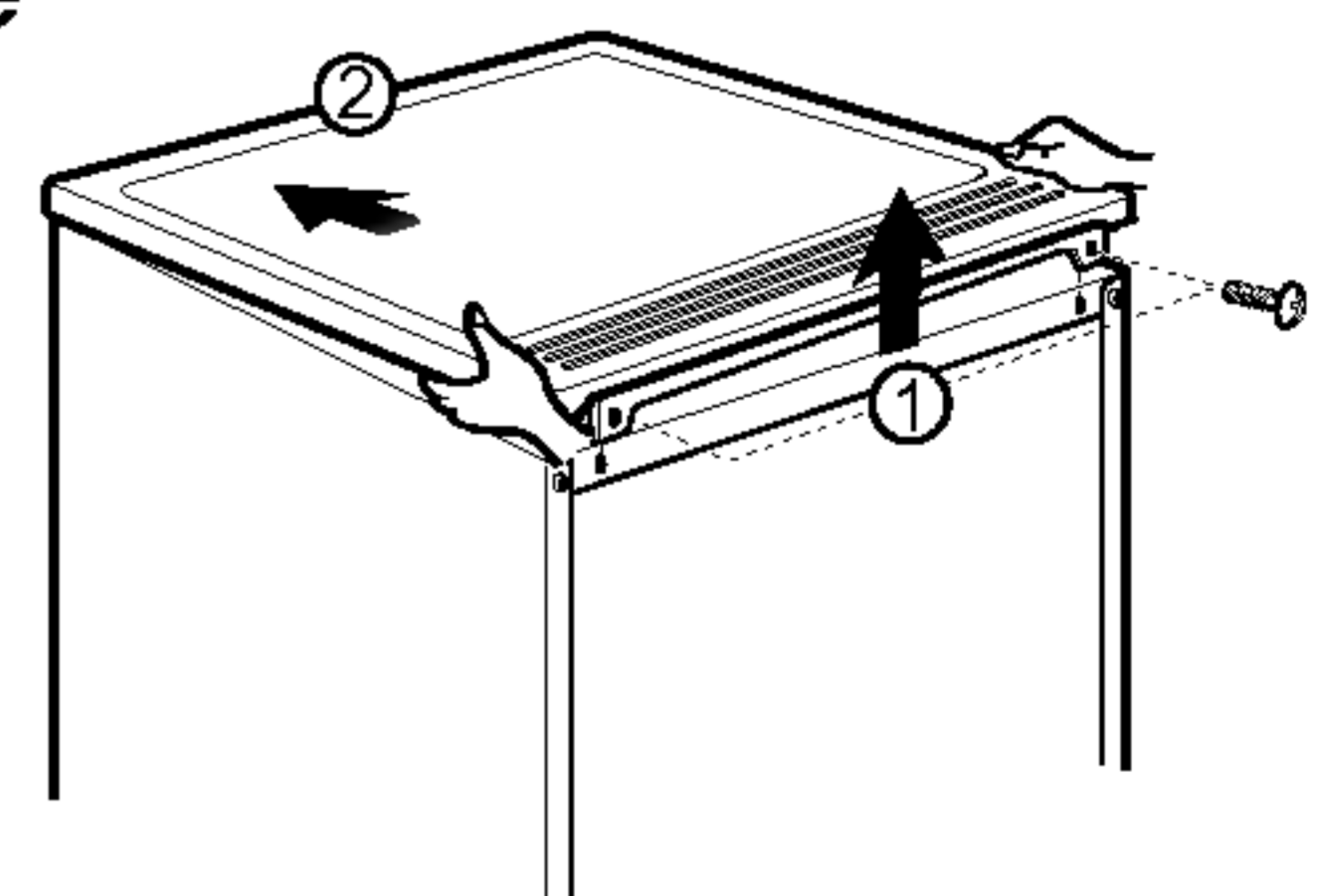
## Installation with/without Top Table

1. When installing with Top Table (free standing), push the refrigerator until the air circulating hole of Top Table nearly reaches the wall.
2. When installing without Top Table, align the door front edge to the front edge of kitchen furniture.



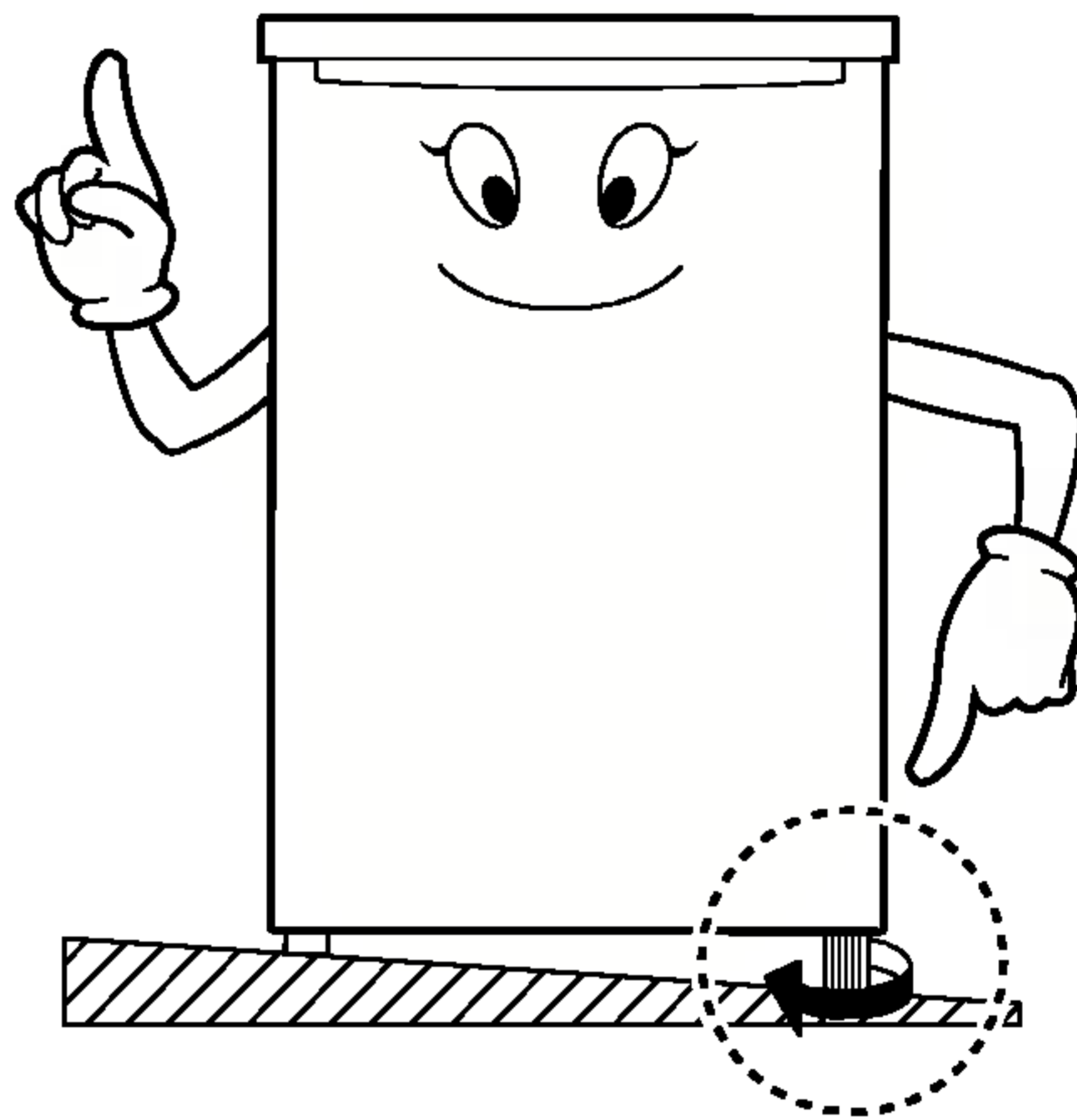
### How to Remove Top Table

1. Unscrew 2 bolts at the rear of top table.
2. Hold the rear of top table and push forwards with lifting up top table slightly.



## Adjusting Leveling Screws

- To avoid vibrations the refrigerator has to be placed on a leveled surface.
- If necessary, set the leveling screws to compensate the unevenness of the floor. The front should be slightly higher than the rear so that the door can close more easily.
- The Leveling Screws can be adjusted by tilting the refrigerator slightly.
- Turning the Leveling Screw clockwise, the refrigerator is raised.



### Next

- Clean your refrigerator thoroughly and wipe off all dust accumulated during transit.
- Install accessories such as ice tray, shelf, etc., in their proper places. They are packed together to prevent possible damage during transit.
- Connect the power supply cord to the AC outlet. Don't double up with other appliances on the same outlet.
- Prior to use, leave your refrigerator on for 2 or 3 hours. Check the flow of cold air on the evaporator to ensure proper cooling.



## Starting

When first turning refrigerator on, allow it to operate for at least 2 to 3 hours to stabilize at normal temperature before loading it with fresh food.

If operation is interrupted, allow a 5 minutes delay before restarting.

## Temperature Control

### NOTE

The DRIP TRAY in the Freezer should be installed exactly to contact with the interior wall.

FREEZER CONTROL regulates the temperature in the freezer and is displayed in OFF, 1, 2,...7.

The freezing capacity of the freezer compartment is 2STAR at a setting of 4 or higher, and food can be stored up to 1 month.

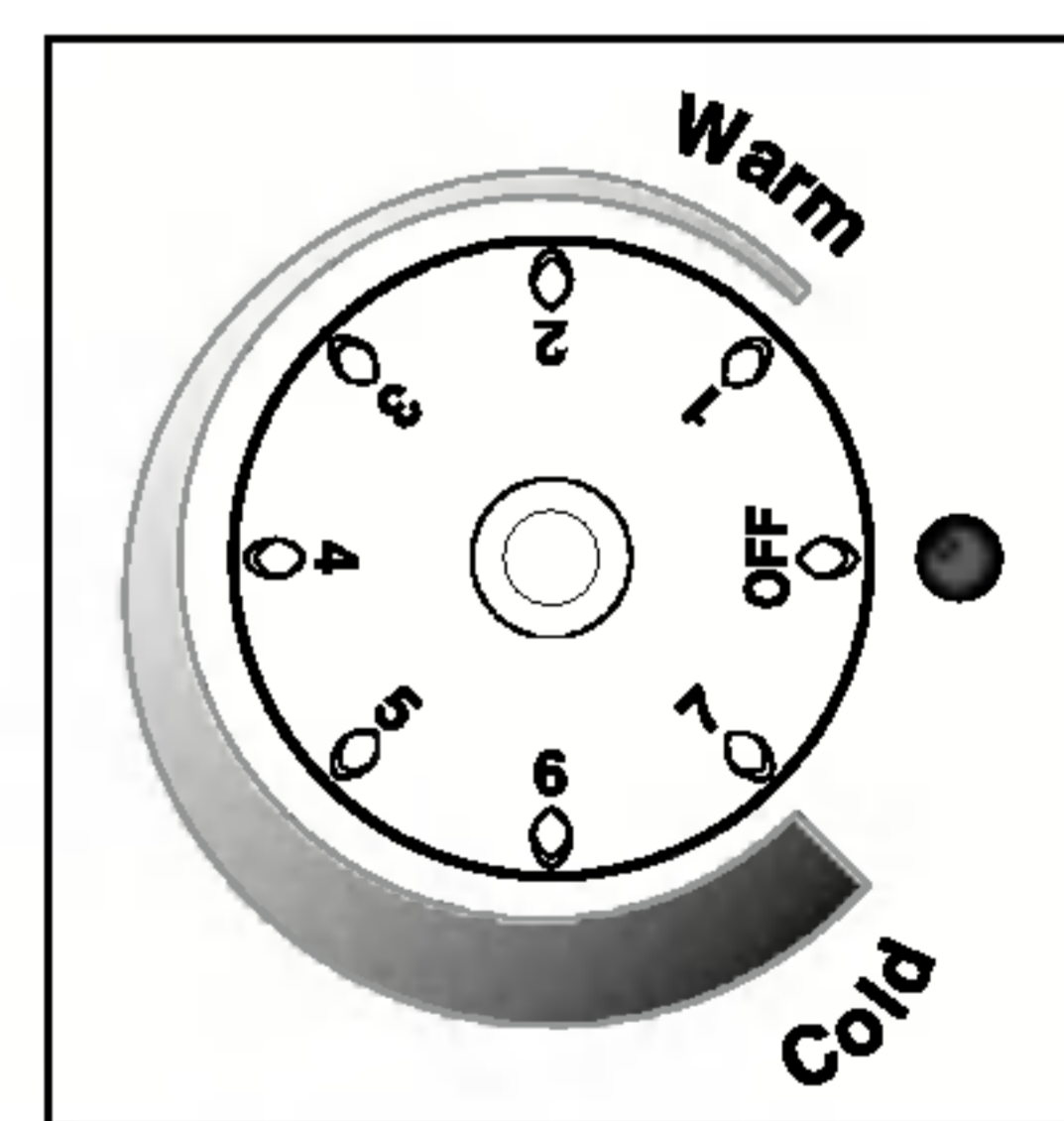
Refrigerator Compartment is cooled by the cold air from the Freezer Compartment.

### Too Warm

Turning the TEMPERATURE CONTROL clockwise will set to a colder setting (higher number setting).

### Too Cold

Turning the TEMPERATURE CONTROL counterclockwise will set to a warmer setting (lower number setting).

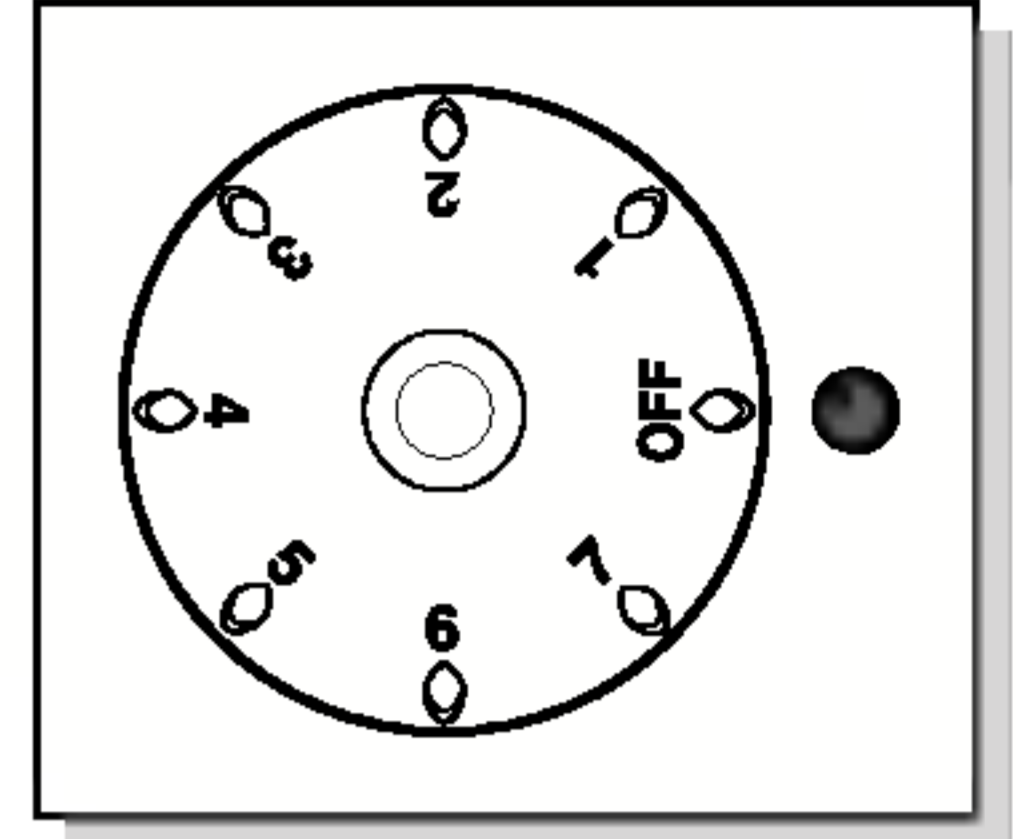


**Setting the TEMPERATURE CONTROL depends on location of the refrigerator, room temperature, and how often the refrigerator door.**



## Defrosting

- It is necessary to regularly defrost your refrigerator in order to ensure efficient operation. The frost on the surface of the evaporator should not exceed 6mm before defrosting.
- **To defrost, turn the control to 'OFF'.**
- Before you start the defrosting operation, remove food from the evaporator, and wrap it with paper or cloth, then put it in a cold place or in another refrigerator. Place the DRIP TRAY in its proper position.
- If you place a bottle containing warm water in the freezer, defrosting time can be reduced.
- When defrosting is completed, remove the drip tray, empty water, dry and put it back to its normal position. Turn the control dial to a desired temperature.



### CAUTION

Never use any sharp or metallic instruments to remove ice, frost or ice tray from the evaporator.

### Storing Food

- How food is frozen and defrosted is an important factor in maintaining freshness and flavor.
- Do not store food which goes bad easily at low temperatures, such as bananas, pineapples and melons.
- Allow hot food to cool prior to storing. Adding too much warm food to the refrigerator could spoil other food, and lead to high electric bills.
- Do not open doors too frequently. Whenever the door is opened, warm air enters the refrigerator, causing temperatures to rise.

### Freezer Compartment

- Do not store bottles in the freezer compartment –they may break when frozen.
- Do not refreeze food that has been completely thawed. This causes loss of taste and nutritional value.

### Refrigerator Compartment

- When storing, wrap food in vinyl, or place in a covered container. This prevents moisture from evaporating, and helps food to keep its taste and nutrients.
- Always clean food prior to refrigeration. Vegetables and fruits should be washed and wiped, and packed food should be wiped clean, to prevent adjacent food from spoiling.
- Food with odor (fish, cheese, butter etc.) should be wrapped securely or stored in closed containers.

#### NOTE

In case of placing a big bottle in the COMMODITY RACK, if excessive force is used to open/close the door, the bottle may fall down, so be careful.

## General Information

### Going away

When you plan to be away for an extended period, remove all food, disconnect the power cord, clean the interior thoroughly, and leave the door OPEN to prevent odor formation.

### Power Failure

Most power failures are corrected in an hour or two and will not affect your refrigerator temperatures. However, you should minimize the number of door openings while the power is OFF. During power failures of longer duration, place a block of dry ice on top of your frozen packages.

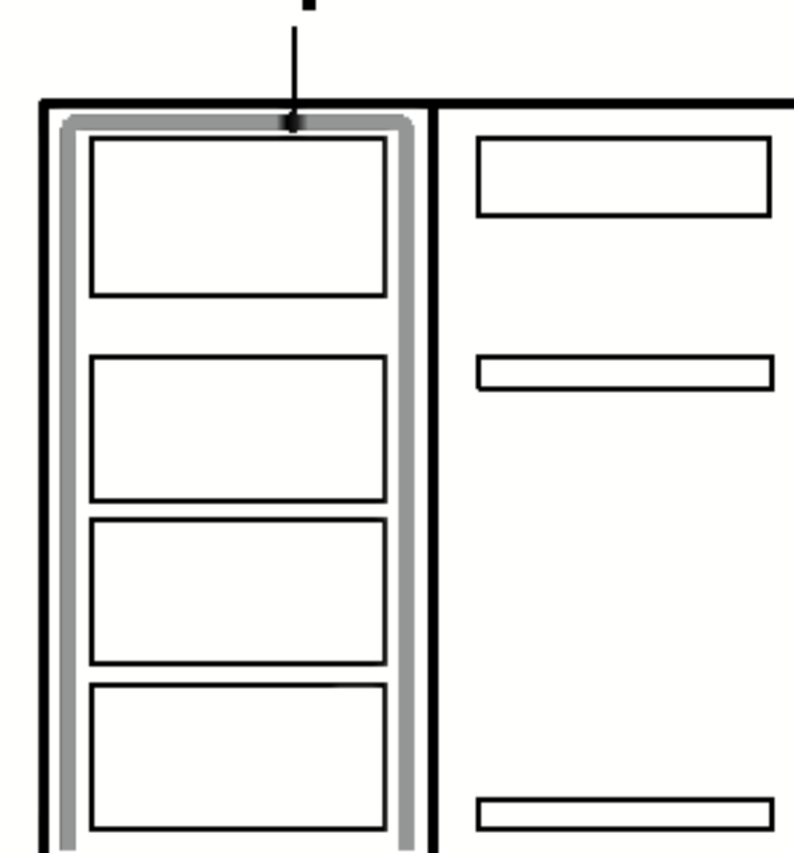
### If you move

Remove all items inside the refrigerator or securely fasten all loose items. To avoid damaging the leveling screw, turn them all the way into the base.

### Anti Condensation Pipe

- The Anti-Condensation pipe is installed around the front side of fridge-freezer to prevent dewing.
- Especially after installation or when ambient temperature is high, the fridge-freezer may feel hot, which is quite normal.

Anti-Condensation Pipe





## Lamp Replacing

### ▲ Warning

Unplug the Power Cord from the AC Outlet.

1. Take the DRIP TRAY and Shelves out to make access easier.

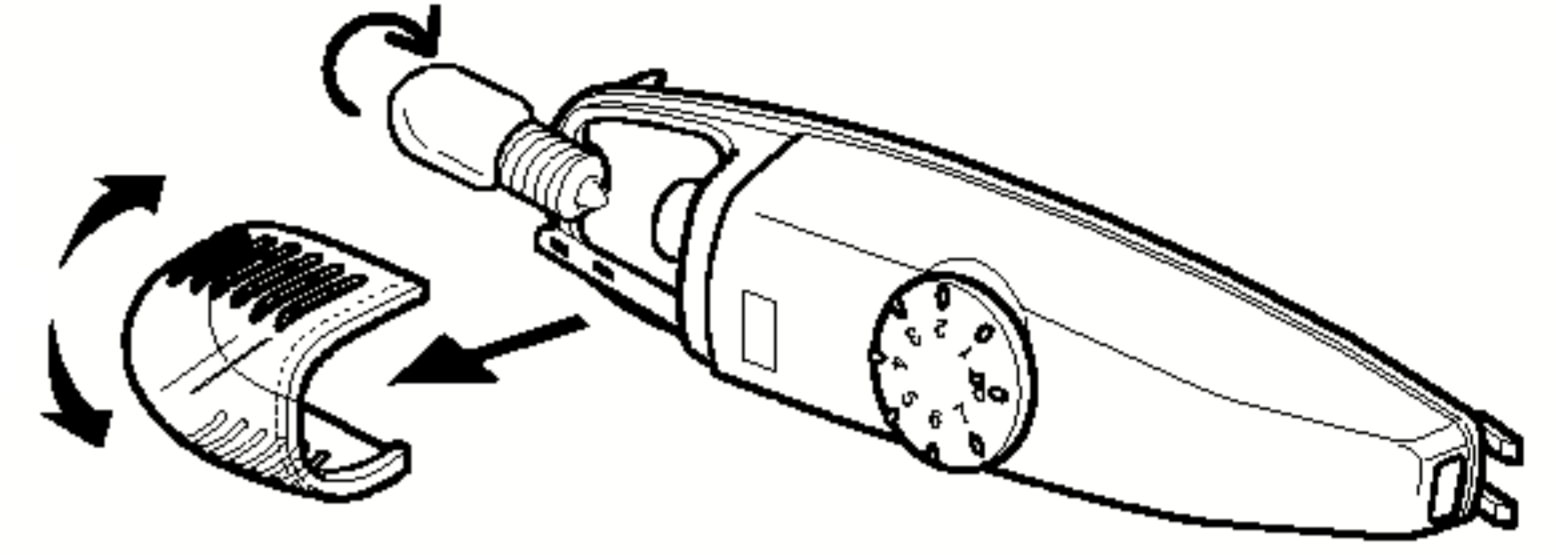
2. Hold the COVER LAMP, Take it out softly from the Thermostat

Enclosure with twisting up and down.

3. Turn the lamp counterclockwise, and replace it.

4. Assemble in reverse order of disassembly.

Replacement bulb must be the same specification as original.



## Cleaning

- It is important that your refrigerator be kept clean to prevent undesirable odors. Spilled food should be wiped up immediately, since it may acidify and stain plastic surfaces.
- Never use metallic scouring pads, brushes, coarse abrasive cleaners or strong alkaline solutions on any surface.
- Before you clean, however, remember that damp objects will stick or adhere to extremely cold surfaces. Do not touch frozen surfaces with wet or damp hands.

### Exterior

Use a lukewarm solution of mild soap or detergent to clean the durable finish of your refrigerator. Wipe with a clean, damp cloth and then dry.

### Interior

Regular cleaning of the interior and interior parts is recommended. Disconnect the power cord, and remove food and shelves, trays etc. Wash all compartment and shelves, trays etc. with a baking soda solution. Rinse and dry.

**Before calling for service, check this list. It may save you both time and expense. This list includes common occurrences that are not the result of defective workmanship or materials in this appliance.**

## Problem

## Possible Causes

**Fridge-Freezer does not operate**

- **Power plug may be unplugged from the electric outlet.**  
Plug it in securely.
- **House fuse has blown or circuit breaker has tripped.**  
Check and/or replace fuse and reset circuit breaker.
- **Power cut.**  
Check house lights.

**Vibration or Rattling or Abnormal Noise**

- **The floor on which the fridge-freezer is installed may be uneven or the fridge-freezer may be unstable.**  
Make it even by rotating the leveling screw.
- **Unnecessary objects placed in the back side of the fridge-freezer.**

**Frost or Ice Crystals on frozen Food**

- **Door may have been left ajar or package holding door open.**
- **Too frequent or too long door openings.**
- **Frost within package is normal.**

**Moisture forms on Cabinet Surface**

- **This phenomenon is likely to occur in a wet space.**  
Wipe it with a dry towel.

Problem	Possible Causes
<b>Moisture collects inside</b>	<ul style="list-style-type: none"> <li>• Too frequent or too long door openings.</li> <li>• In humid weather, air carries moisture into fridge when doors are opened.</li> </ul>
<b>Fridge has odor</b>	<ul style="list-style-type: none"> <li>• Foods with strong odors should be tightly covered or wrapped.</li> <li>• Check for spoiled food.</li> <li>• Interior needs cleaning. Refer to CLEANING section.</li> </ul>
<b>Interior light does not work</b>	<ul style="list-style-type: none"> <li>• No power at outlet.</li> <li>• Light lamp needs replacing. Refer to the Lamp Replacement section.</li> </ul>



## How to Reverse the Door

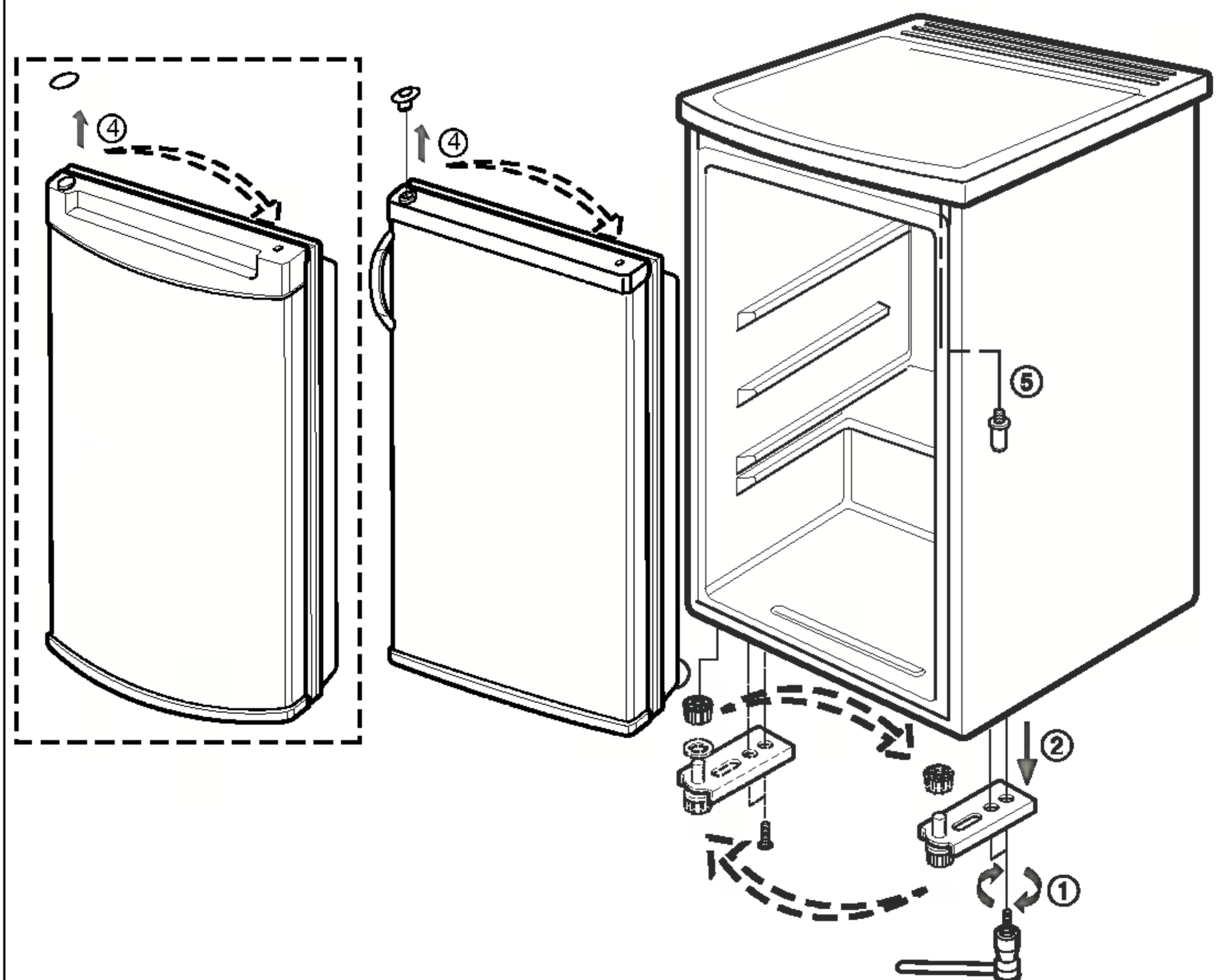
Your refrigerator is designed with a reversible door, so you may open from either left or right. It is best to reposition the door hinge as necessary at the outset since it is inconvenient to do so later.

To change the door hinge please refer to the diagram below and proceed as follows.

### Precaution

1. First unplug the appliance.
2. Remove all loose fittings from inside the appliance.
3. Carefully lay the appliance on its back on the original packing.
4. Use Torque Wrench or Spanner to fix or remover the bolts.

1. Unscrew the 2xBOLTS ①, then remove the hinge (L) ②.
2. Remove the LEG ③.
3. Gently pull the door downwards to remove it.
4. Before refitting the door, swap the Hinge Cap ④ by pulling it out from its current location and repositioning it on the other side of the door. Care should be taken not to damage the adjacent surfaces when removing the Hinge Cap.
5. Unscrew the Upper Hinge pin (U) ⑤ and screw it into the opposite side hole.



## How to Reverse the Door

6. By using 2xBOLTS, secure the Lower Hinge (L) in the opposite side.
7. Replace the Adjustable Foot in the Hinge (L), setting it at approximately 20mm.
8. Carefully place the appliance in an upright position. Use the Adjustable Foot not to vibrate the appliance, and check that the door opens and closes properly.

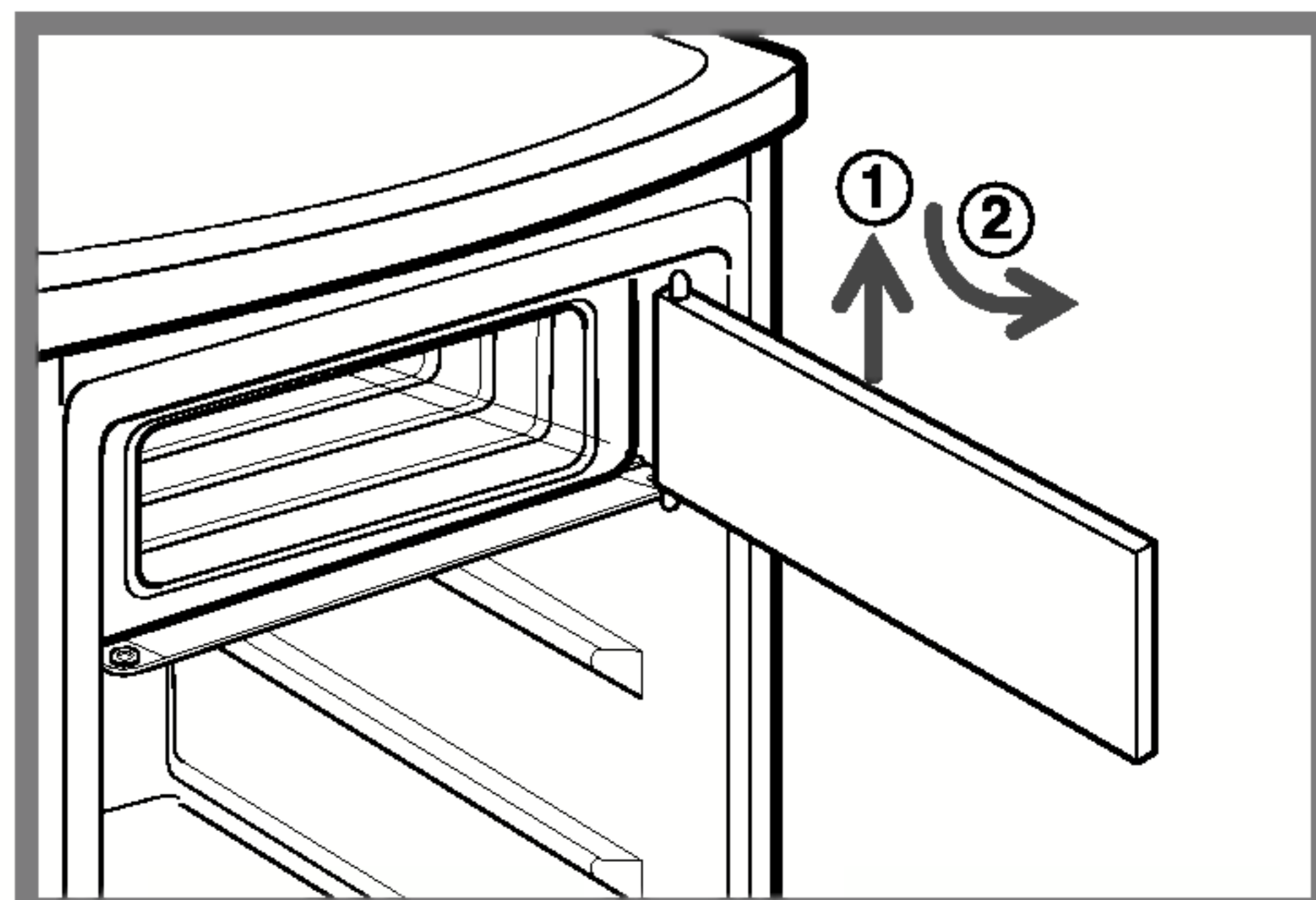
### NOTE

In case of applying Reversible door, When you close the door with excessive force, there could be the case that the door doesn't close because of Reaction force. Please ascertain if the door closes properly.

## How to Reverse the Eva Door

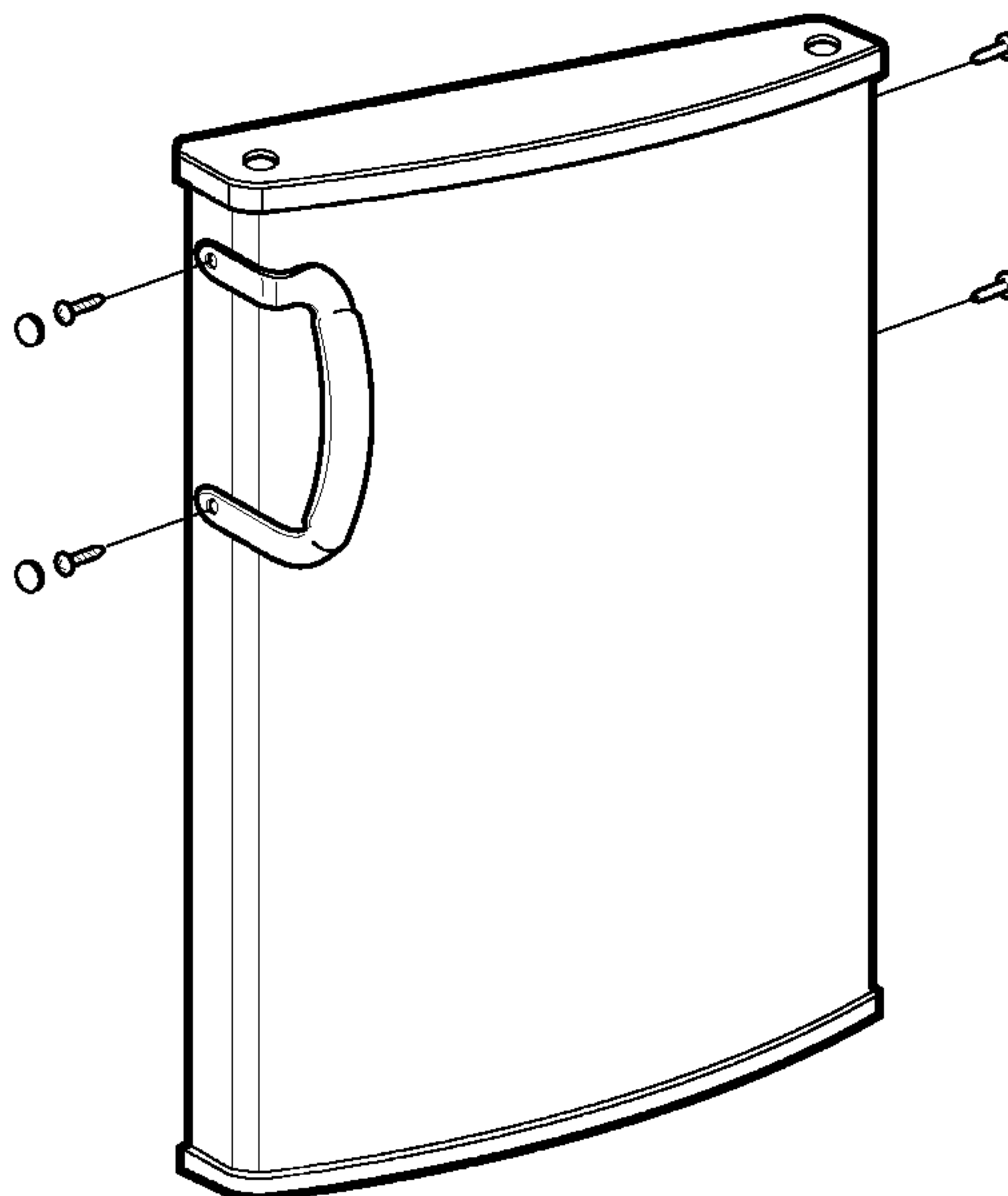
When repositioning the Refrigerator Door hinge, you should also change the Freezer Door hinge for convenience. Please refer to the diagram below and proceed as follows

1. Open the EVA DOOR, and Grasp the Bottom side of the EVA DOOR Hinge.
2. Take it out forwards ② by lifting it slightly up ①.
3. Rotate the EVA DOOR 180 degrees, and insert EVA DOOR to opposite side top hole first, then in to the Bottom side hole.
4. Check that EVA DOOR is installed properly.

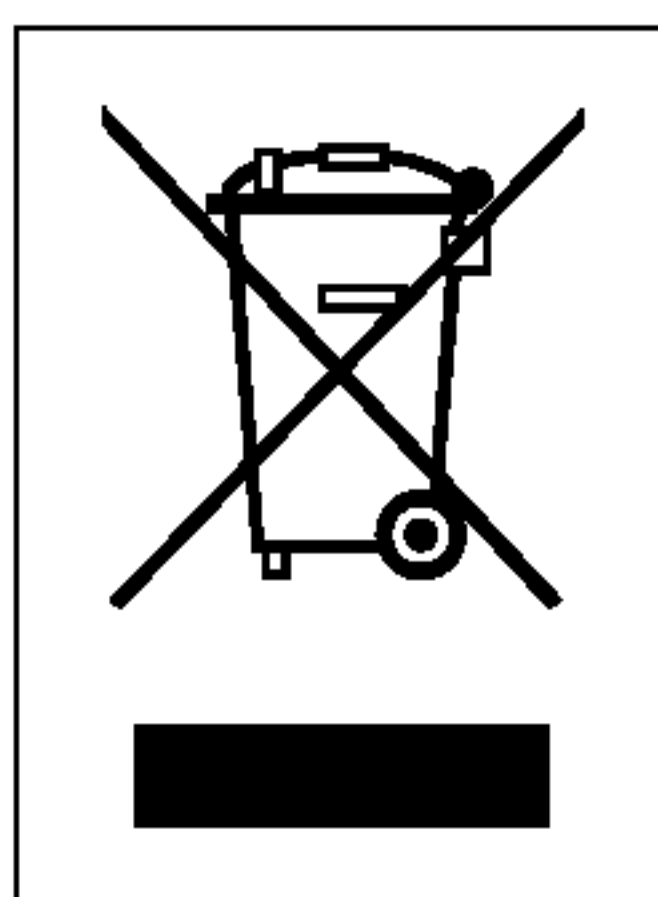




## Door handle(Optional)



### Disposal of your old appliance



1. When this crossed-out wheeled bin symbol is attached to a product it means the product is covered by the European Directive 2002/96/EC.
2. All electrical and electronic products should be disposed of separately from the municipal waste stream via designated collection facilities appointed by the government or the local authorities.
3. The correct disposal of your old appliance will help prevent potential negative consequences for the environment and human health.
4. For more detailed information about disposal of your old appliance, please contact your city office, waste disposal service or the shop where you purchased the product.





# HŰTŐSZEKRENY-FAGYASZTÓ

Használati útmutató

## GC-181SA

Kerjük, hogy a készülék használatba vétele előtt gondosan olvassa el a használati útmutatót, és őrizze meg azt, mert később is szüksége lehet rá.

## Tartalom

<b>Bevezetés</b>	Fontos biztonsági információk	4
	A készülék részegységei, tartozékai	6
<b>Üzembe helyezés</b>	Hol helyezzuk el?	7
	Üzembe helyezés Top Table-lel vagy anélkül	7
	Szintbeállító csavarok beállítása	8
<b>A készülék működése</b>	Elindítás	9
	Hőmérséklet szabályozása	9
	Leolvasztás	10
<b>Élelmiszertárolási javaslatok</b>	Élelmiszerek tárolása	11
	Mélyhűtő rekesz	11
	Hűtőszekrény rekesz	11
<b>Gondozás és karbantartás</b>	Általános információk	12
	Izzocsere	13
	Tisztítás	13
<b>Problémaelhárítás</b>	Problémaelhárítás	14
<b>Ajtók nyitási irányának megváltoztatása</b>	Ajtók nyitási irányának megváltoztatása	16
	Eva ajtó nyitási irányának megváltoztatása	17
	Ajtófogantyú (opcionális)	18

## Óvintézkedések

### Fontos biztonsági információk

**Használatbavétel előtt a hűtőszekrényt megfelelően üzembe kell helyezni. A készülék helyének megválasztásakor a jelen használati utasításban foglalt előírásokat be kell tartani.**

**Soha ne húzza ki a készülék csatlakozódugóját a kábellel fogva.** Ha áramtalanítani kívánja a berendezést, markolja meg a csatlakozódugót, és annal fogva húzza ki a dugaljból.

**Ügyeljen arra, hogy a készülék mozgatásakor ne kerüljön a csatlakozózsín a készülék alá, illetve más módon se sérüljön meg.**

**A hűtőszekrény üzembe helyezése után soha ne érintse meg a mélyhűtő fagyos felületeit, különösen ha a keze vizes vagy nedves.** A bőr hozzáragadhat a rendkívül hideg felülethez.

A készülék tisztításának megkezdése előtt mindig húzza ki a hálózati csatlakozódugót.

A csatlakozózsínort soha ne rongálja, szerelje szét, csomozza össze vagy hajlítsa meg túlságosan, mert a sérült kábel tüzet vagy áramütést okozhat.

Üvegből készült tárgyakat soha ne helyezzen a mélyhűtőbe, mert tartalmuk a lefagyasztás során kitágulhat, és emiatt eltorzhat az üveg.

## Ne használjon hosszabbítózsínort

Ha mód van rá, a hűtőszekrényt közvetlenül a saját csatlakozódugójával csatlakoztassa a hálózatra: így elkerülhető a más háztartási készülékek vagy a világítás okozta hálózati túlterhelés, ami áramszünetet okozhat.

## Csatlakozódugó hozzáférhetősége

A hűtőszekrény-fagyasztó csatlakozódugóját úgy kell elhelyezni, hogy baleset esetén könnyen és gyorsan hozzáférhető és kihúzható legyen.

## Csatlakozózsínór cseréje

Ha a csatlakozókábel megsérül, ki kell cserélni. A cserét kizárólag a gyártó vagy a szervízszolgáltatást biztosító cég, illetve a fentiekkel azonos képesítéssel rendelkező szakember végezheti el.



## Fontos biztonsági információk

### ⚠ Veszély

Gyermekek beszorulhatnak.  
Kérjük, hogy mielőtt használaton kívül helyezze (kidobja) a készüléket:  
Szerelje le az ajtókat.  
Hagyja a készülékben a polcokat, így módon megakadályozhatja, hogy egy gyermek belemasszon.

### Tilos tárolni

Ne tároljon a készülékben illetve annak közelében (továbbá bármilyen más elektromos készülék közelében se) benzint vagy más gyúlékony anyagot.

### Földelés

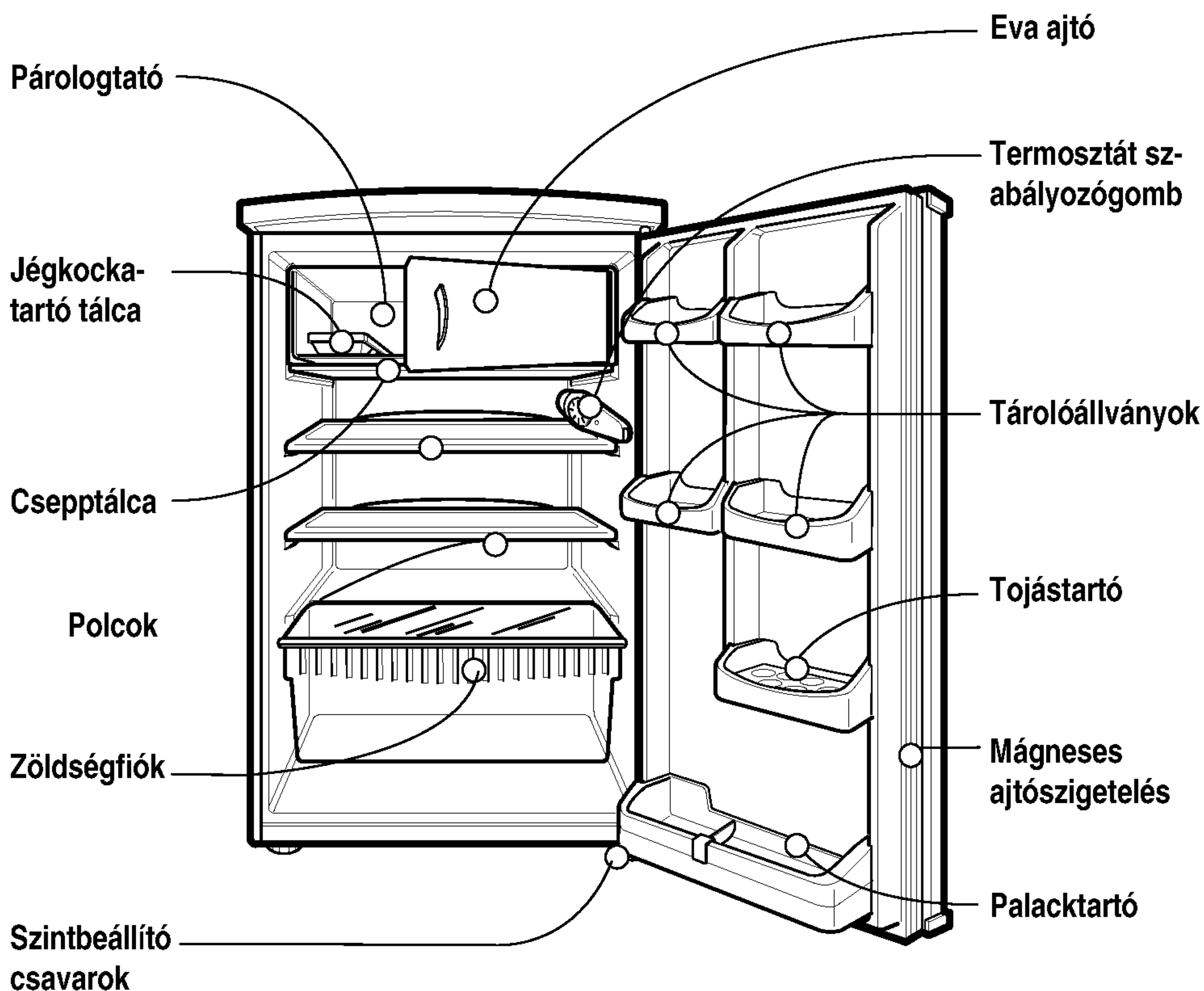
Elektromos rövidzárlat esetén a földelés csökkenti az áramütés kockázatát, mert lehetővé teszi, hogy az áram egy harmadik dróton keresztül távozni tudjon. Az áramütés elkerülése érdekében a készülék kizárólag földelt csatlakozóval használható. A földelt csatlakozó helytelen használata áramütést okozhat.

Kérje képzett szakember vagy szervíz tanácsát, ha nem világosak a földeléssel kapcsolatos tudnivalók vagy ha nem biztos abban, hogy a készülék földelése megfelelő-e.

### ⚠ Figyelem

- ⚠ A készülék burkolatán illetve a beépített konyhabutor felületén található szellőzőnyílásokat mindig szabadon kell hagyni.
- ⚠ A leolvadás-felgyorsításhoz kizárólag a gyártó által ajánlott szerszámokat vagy egyéb eszközöket használja.
- ⚠ A hűtőkört ne rongálja meg.
- ⚠ A készülék belsejében kizárólag olyan elektromos készüléket használjon, amelyet a gyártó kifejezetten erre a célra javasol.
- ⚠ A készülék hűtését és szigetelését biztosító hajtógáz-átalmatlanítása speciális eljárást igényel. Ha erre kerül a sor, kérje ki a szervízszerelőtől a biztosító cég, illetve a fentiekkel azonos képesítéssel rendelkező szakember tanácsát.

## A készülék részegységei, tartozékai

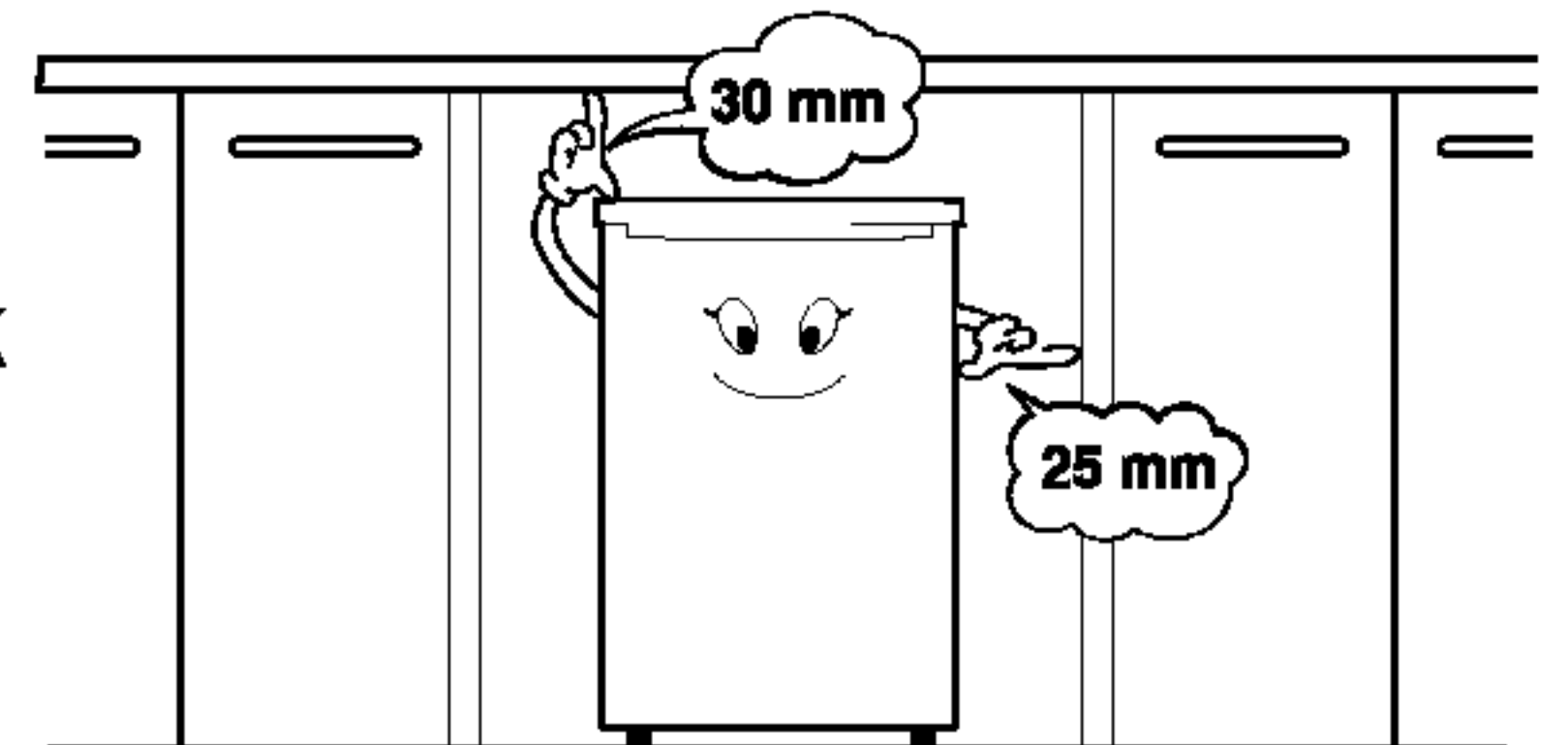


## Elhelyezés

### Figyelem

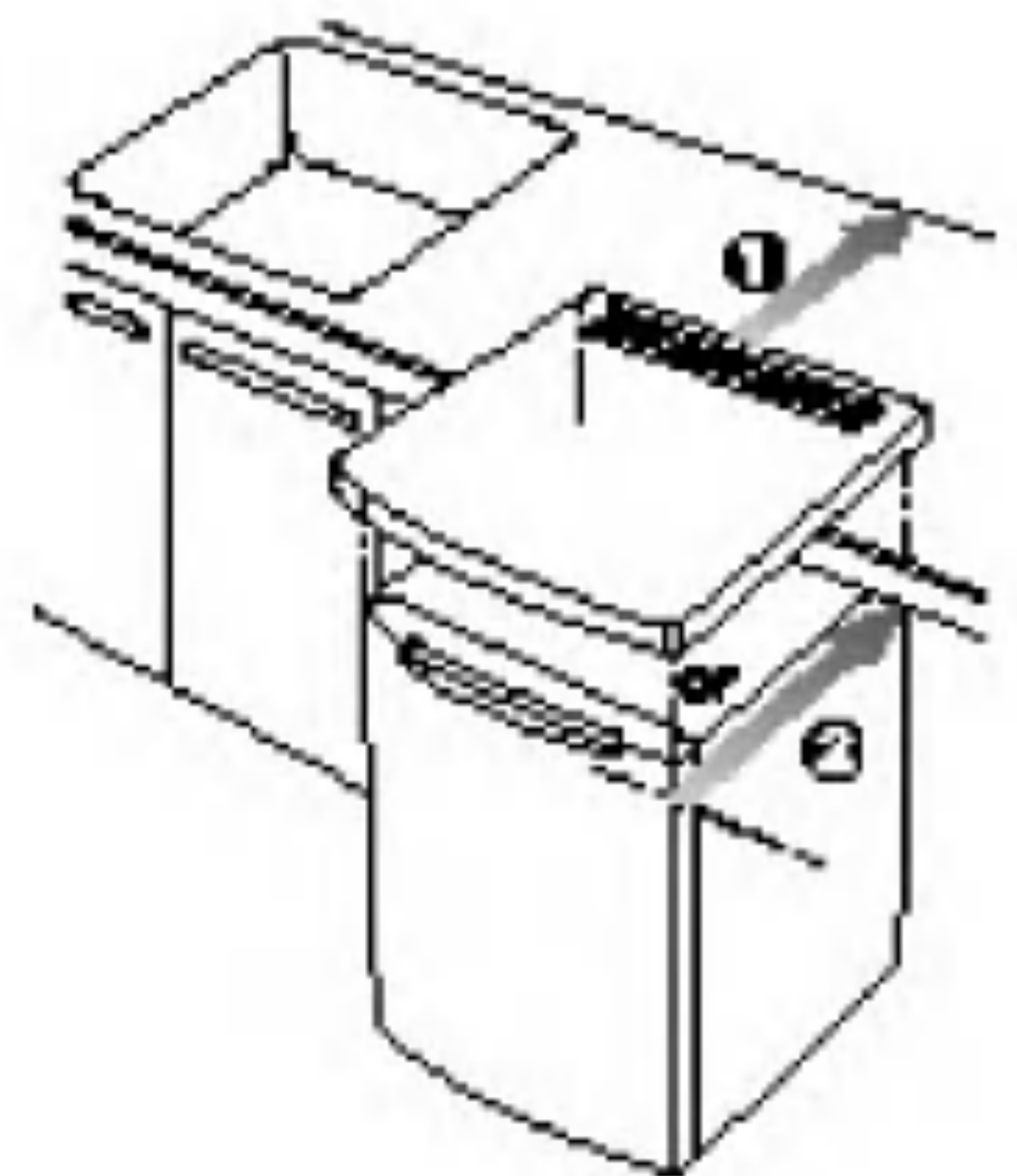
Lehetőség szerint ne használja hosszabb időn át a készüléket, ha a hőmérséklet 16°C alá vagy 32 °C fölé kerül.

- Ne helyezze a berendezést fűtőtest vagy más hőforrás közelébe, közvetlen napfényre vagy nedves helyiségbe.
- A hatékony működés érdekében megfelelő szellőzést kell biztosítani a készülék körül.
- Ha a hűtőszekrényt falmélyedésben helyezi el, hagyjon legalább 30 mm-es távolságot berendezés felett, a hátoldal és az oldalfalak pedig legalább 25 mm-re legyenek a faltól.
- Ha szőnyeggel fedett felületen helyezi el a készüléket, az alsó burkolat és a padló között legalább 25 mm-es távolsagnak kell maradnia.



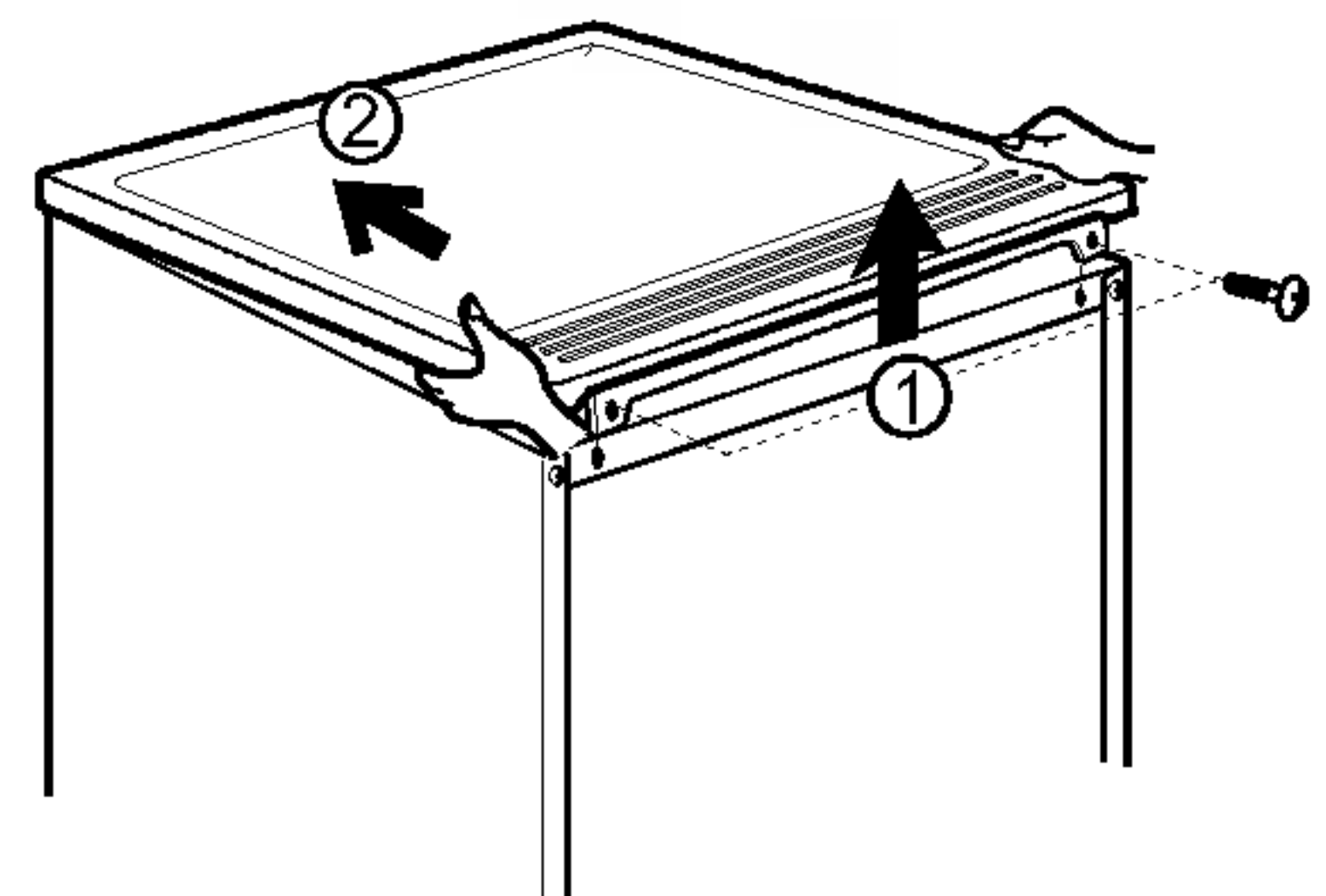
## Üzembe helyezés Top Table-lel vagy anélkül

1. Ha Top Table-lel (szabadon álló) együtt helyezi el a készüléket, tolja addig a készüléket a fal irányába, amíg a Top Table legkeringető nyílása majdnem a falhoz ér.
2. Ha Top Table nélkül helyezi el a készüléket, állítsa a készülék elejét a konyhabutor elülső szelevel egy szintbe.



## A Top Table eltávolítása

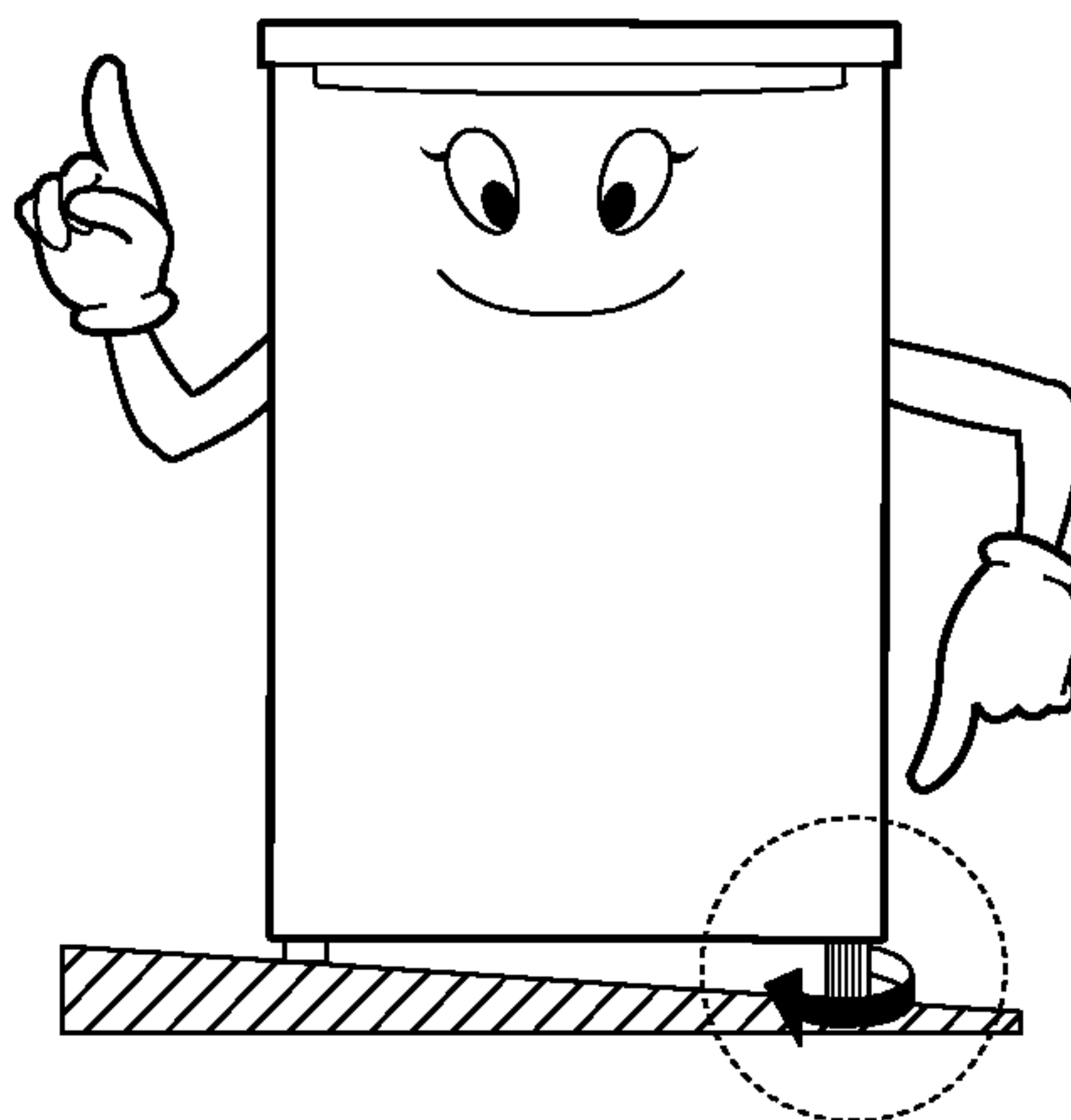
1. Csavarja ki a Top Table hátsó részén lévő két csavart.
2. Fogja meg a Top Table hátsó részét, és kisse megemelve nyomja azt előre.





## Szintbeállítás

- A vibráció elkerülése érdekében a hűtőszekrényt vízszintes felületen kell elhelyezni.
- A padló egyenetlenségeit szükség esetén a szintbeállító labakkal lehet ellensúlyozni. Az ajtók megfelelő csukódása érdekében a készülék elülső részének egy kicsit magasabban kell állnia, mint a hátsónak.
- Ha a készüléket kisse megdönti, a szintbeállító labákat könnyen elcsavarhatja bármelyik irányba.
- A készülék emeléséhez forgassa a szintbeállító labákat az óramutató járásával egyező irányba.



## Következő

- Törölje le a készülékről a szállítás során rarakodott port, és alaposan tisztítsa meg.
- Szerelje be a tartozékokat (jegkocka-tartó, stb.). A szállítás során fellepett esetleges sérülések elkerülése érdekében a tartozékok egy külön csomagban találhatók meg.
- Csatlakoztassa a készüléket a hálózati áramforrásba. Ugyanabba az aljzatba ne csatlakoztasson más háztartási készüléket.
- A használat megkezdése előtt hagyja a készüléket 2-3 órán át üresen járni. A megfelelő hűtés érdekében ellenőrizze a hideg levegő áramlását a parologtató-egységen.

## Használat megkezdése

Miután a készüléket üzembe helyezte, várjon 2-3 órát, mielőtt feltöltené friss vagy fagyaszott élelmiszerrel, hogy a hűtőszekrény elérhesse a szokásos üzemi hőmérsékletét.

Ha a készülék működését megszakította, várjon 5 percet, mielőtt újra bekapcsolná azt.

## Hőmérséklet szabályozása

**FIGYELM**

A CSEPPTALCAT úgy kell elhelyezni a mélyhűtő rekeszben, hogy annak szele a fal belső felületéhez érjen.

A MELYHŰTŐ SZABALYOZÓ a mélyhűtő hőmérsékletet szabalyozza, es az alábbi lehetosegek kozul valaszthat a kijelzon: OFF, 1, 2,...7.

A mélyhűtő fagyasztokapacitasa 4-es vagy afolotti beallitas eseten \*\*, es az elelmiszer maximum 1 honapig tarolható.

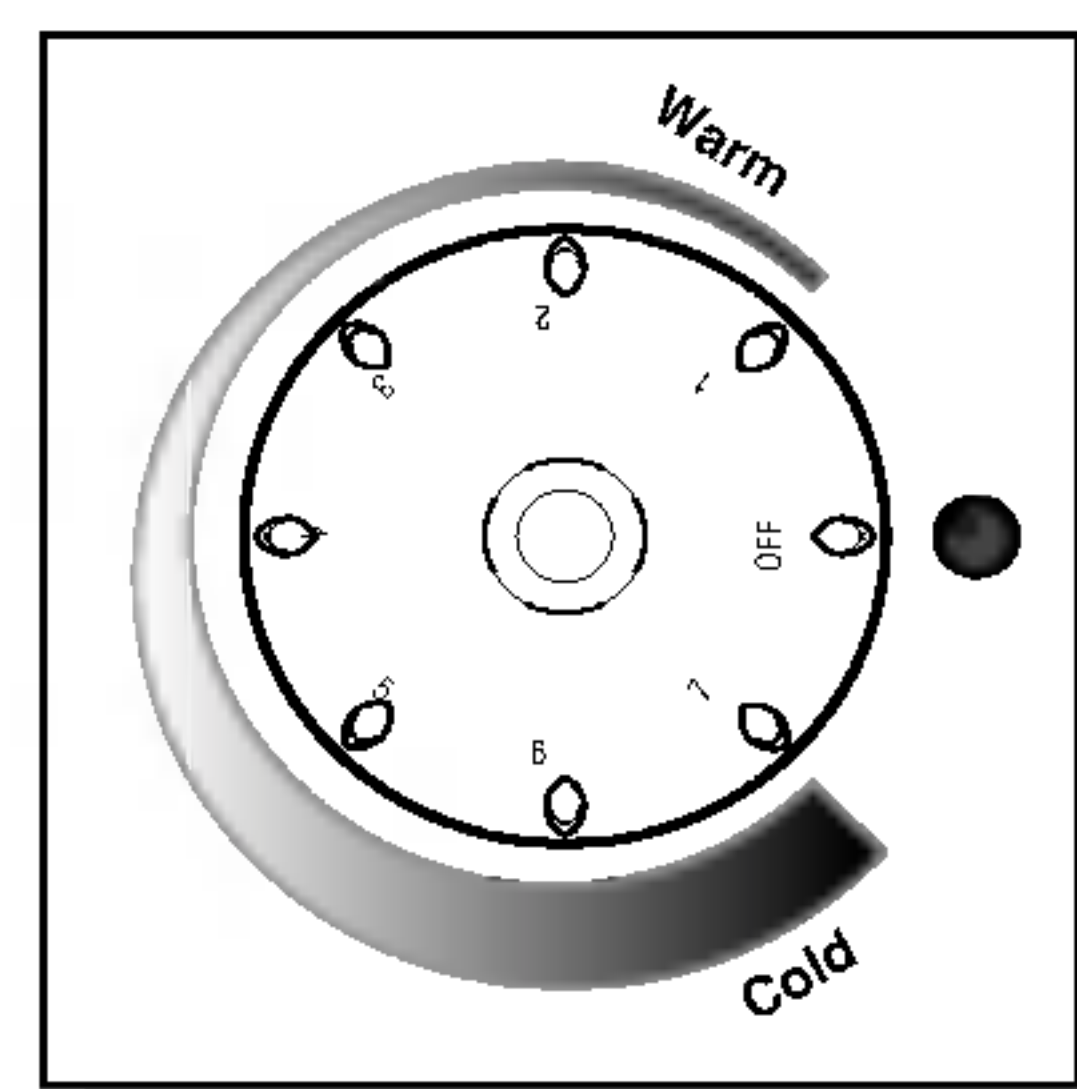
A hűtőszekrényt a mélyhűtő rekeszből érkező hideg levegő hűti.

### Túl meleg

Ha a HŐMERSEKLET SZABALYOZÓT az oramutato jarasaval megegyezo irányba forgatja, a hűtés intenzitasa erősodik. (magasabb számertek).

### Túl hideg

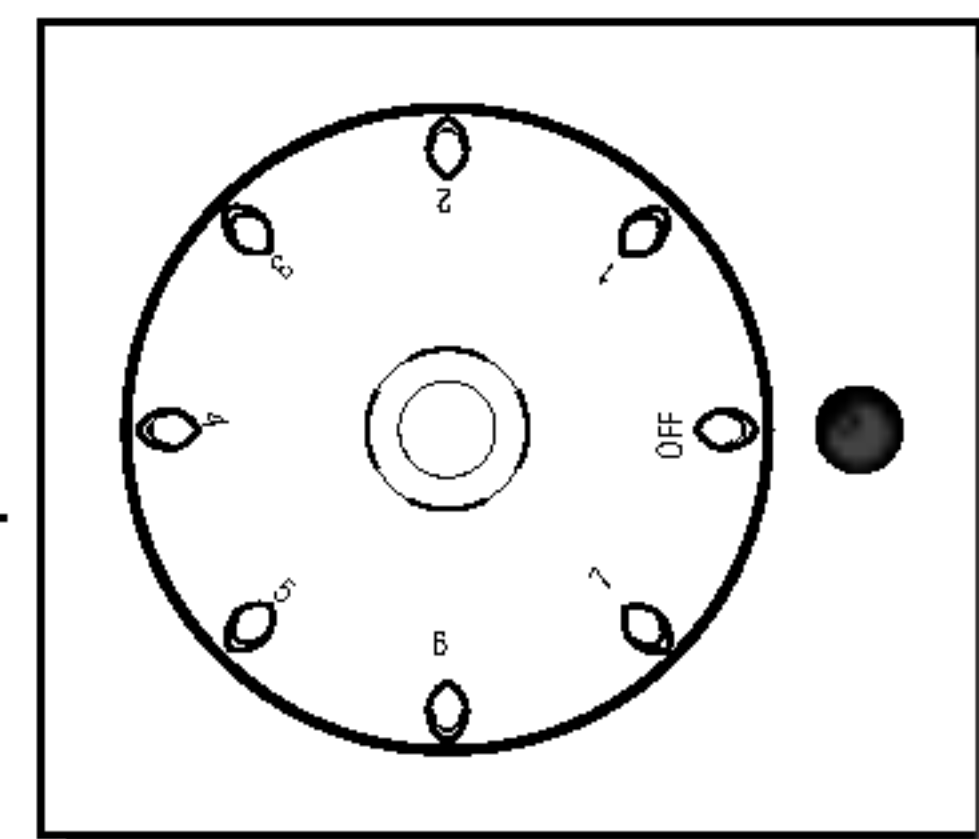
A HŐMERSEKLET SZABALYOZÓT az oramutato jarasaval ellenkezo irányba forgatja, a hűtés intenzitasa gyengül (alacsonyabb számertek).



**A HŐMÉRSEKLET SZABÁLYOZÁS** függ a helyiség hőmérsékletétől, a készülék elhelyezésére választott terület jellegétől, illetve attól, hogy milyen gyakran nyitogatják a készülék ajtóit.

## Leolvasztás

- A hatékony működés érdekében a készüléket időről időre le kell olvasztani. A parogató egység felületén lerakódó jeglecsapódás a leolvasztás előtt maximum 6 mm vastag lehet.
- **Leolvasztáshoz fordítsa a szabályozót 'OFF' állásba.**
- A leolvasztás megkezdése előtt pakolja ki az elelmiszereket a parogtatóból, csomagolja papírba vagy konyharuhába, majd helyezze el hűvös helyen vagy egy másik hűtőszekrényben. A CSEPPTÁLCÁT a megfelelő helyre helyezze el.
- Ha melegvizes palackot helyez a melyhűtőbe, a leolvasztás ideje csökkenthető.
- A leolvasztás befejezése után vegye ki a csepptalcat, ontse ki belőle a vizet, törölje szárazra, majd tegye vissza a szokásos helyére. Állítsa a szabályozógombot a kívánt hőmérséklet-értékre.



### FIGYELEM

Soha ne használjon éles, hegyes vagy fémű tárgyat a jeg, jegpara vagy a jegtartó talca eltávolításához.



## Élelmiszerek tárolása

- A frissesség és az ízek megőrzése szempontjából nagyon fontos, hogy hogyan fagyasztja le, illetve olvasztja ki az élelmiszereket.
- Ne tároljon alacsony hőmérsékleten könnyen romló élelmiszereket, pl. banán; dinnye.
- A forró ételt hagyja lehűlni, mielőtt a hűtőszekrénybe tenne. A forró betett ételek tonkretelhetnek más élelmiszereket a hűtőben, ráadásul az energiafogyasztás is növekszik.
- Ne nyitogassa túl gyakran a hűtőszekrény ajtaját. A nyitott ajton át beáramló meleg levegő növeli a hőmérsékletet a berendezés belsejében.

## Mélyhűtő-rekesz

- Ne tároljon üvegpalackokat a mélyhűtő-rekeszben – az üveg eltorthat, miközben tartalma megfagy.
- Az egyszer már teljesen felolvasztott élelmiszert ne fagyassza újra. Az újrafagyasztás során elvesznek az ízek és a tápanyagtartalom.

## Hűtőszekrény rekesz

- Az élelmiszert zsugorfóliával lefedve vagy fedeles dobozokban tárolja a hűtőszekrényben. Ezzel megelőzheti a nedvesség elpárolgását, így a termékek nem veszítik el ízüket és tápanyagtartalmukat. A hűtőszekrénybe helyezés előtt mindig tisztítsa le az élelmiszert.
- A zöldséget és gyümölcsöt meg kell mosni és szárazra kell törölni, az előre csomagolt élelmiszereket át kell törölni. Így módon elkerülhető, hogy az élelmiszerek átvegyék egymás szagát vagy megromoljanak.
- Az erősebb illatú élelmiszereket (hal, sajt, vaj stb.) gondosan becsomagolva vagy jól záró tárolóedénybe helyezve kell a hűtőszekrényben tárolni.

### FIGYELEM

Ha a PALACKTARTÓBAN nagy méretű palackot helyez el, majd az ajtót erőteljes mozdulattal nyitja ki vagy csukja be, a palack kizuhanhat, ezért legyen óvatos.

## Általános információ

### Elutazás előtt

Ha hosszabb időre távozik, húzza ki a hálózati csatlakozót, és hagyja NYITVA a készülék ajtaját, így megelőzheti a kellemetlen szagok kialakulását.

### Áramszünet

Az egy-két órán belül elhárított áramkimaradások semmiféle hatást nem gyakorolnak a készülékben tárolt élelmiszerekre. Ugyanakkor ügyeljen arra, hogy áramszünet idején lehetőleg minél kevesebbszer nyissa ki az ajtókat. Hosszabb áramszünet esetén helyezzen egy darab szárazjeget a fagyasztott élelmiszerek tetejére.

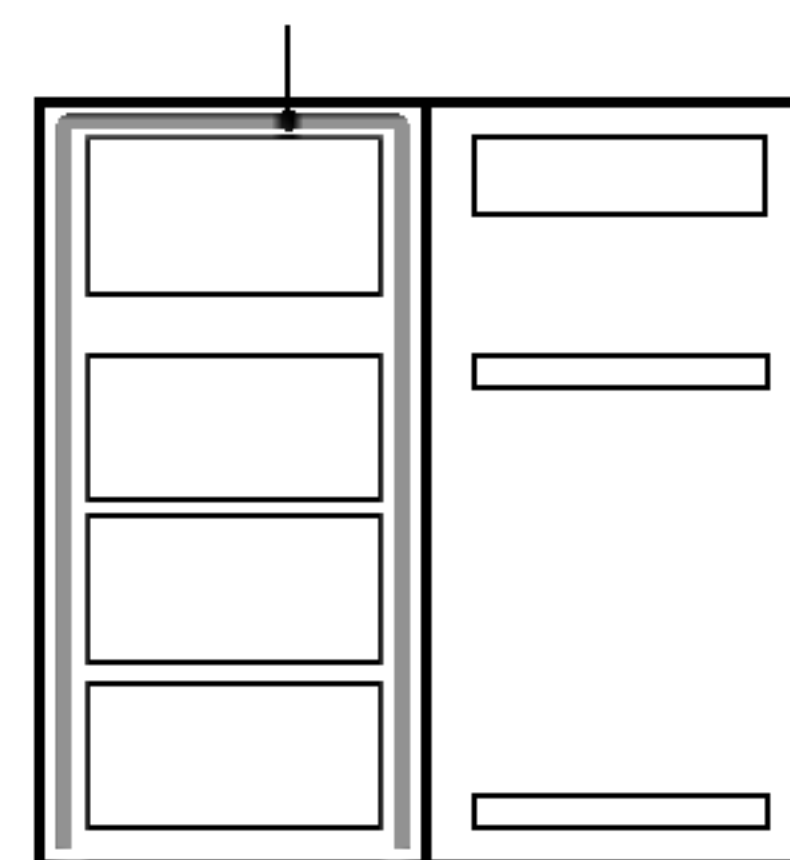
### Költözés

Vegyen ki mindent a hűtőszekrényből vagy rögzítse biztonságosan a szabadon mozgó tartozékokat. Az állítható lábak sérülésének elkerülése érdekében csavarja be azokat utközesig a készülék aljába.

### Párásodásgátló cső

- A párásodásgátló csőrendszer a mélyhűtő és a hűtőszekrény elülső oldalán található, és funkciója a páralecsapódás megelőzése.
- Közvetlenül beüzemeles után vagy magas külső hőmérséklet esetén előfordulhat, hogy a hűtőszekrény-mélyhűtő külső fala átmelegszik, de ez teljesen normális jelenség.

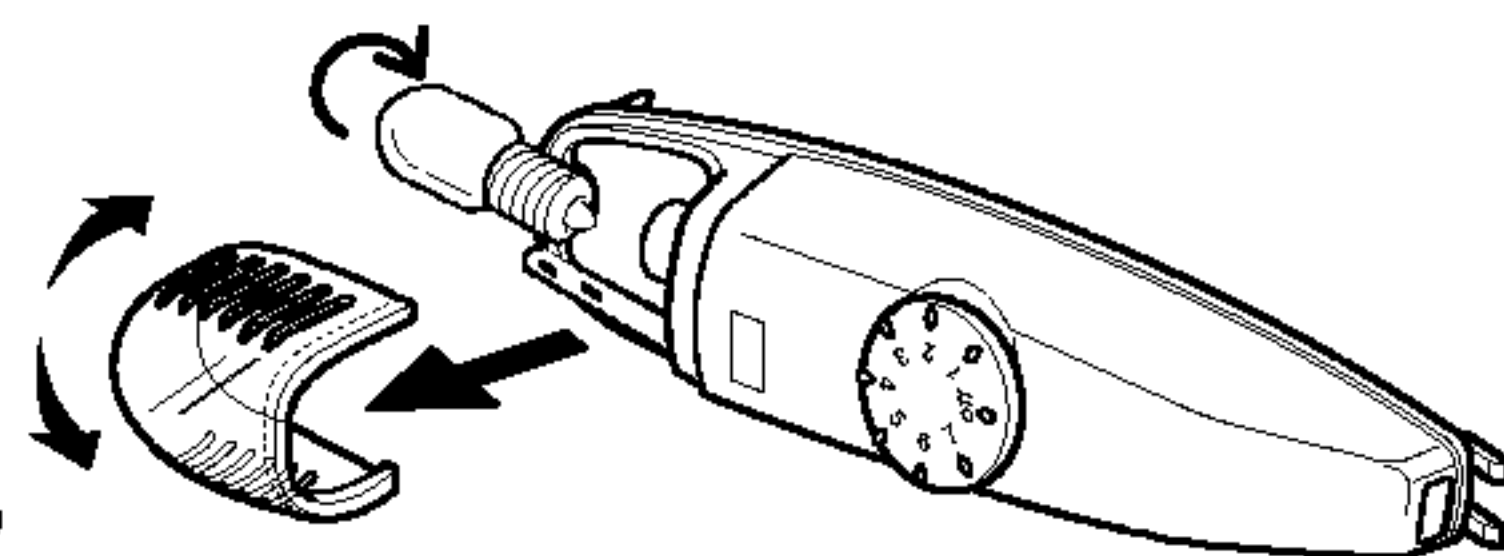
### Párásodásgátló cső



**▲ Figyelem****Izzócsere**

Húzza ki a halozati csatlakozodugot a fali dugaljból.

1. Vegye ki a CSEPPTÁLCÁT es a polcokat, így könnyebben hozzáferhet a lampához.
2. Fogja meg a LÁMPABORÍTÁST, es ovatosan fel-le mozgatva vegye ki azt a termosztat burkolataból.



3. Az oramutato jarasaval ellentetes irányban forgatva csavarja ki az izzót, es helyezzen be egy újat.
4. Fordított sorrendben vegezze el a fenti műveleteket. A csereizzo műszaki adatainak meg kell egyeznie az eltávolított izzóval.

**Tisztítás**

- A kellemetlen szagok elkerülese erdekeben a hűtőszekrenyt rendszeres idokozonkent tisztítani kell. A készüléken belül kiomlott etelt azonnal fel kell torolni, mert savas hatásanal fogva foltot hagyhat a műanyag felületeken.
- A hűtőgep tisztításhoz soha ne használjon dorzsolo hatásu szereket, asvanyolajat, benzolt, hígítót, sosavat, forrasban levo vizet, eros dorzskefet, stb.
- A tisztítás megkezdese előtt jusson eszebe, hogy a nedves tárgyak odaragadnak a fagyos felületekhez. Soha ne érintse meg a melyhűto fagyos felületeit vizes vagy nedves kezzel.

**Külső burkolat**

A hűtőszekreny külső burkolatát langyos szappanos vagy mososzeres oldattal tisztíthatja meg. A tisztítást kisse nedves torlokendovel vegezze, majd torolje szarazra a felületet.

**Belső felületek**

Tisztítsa rendszeres idokozonkent a hűtőszekreny belsejét. Húzza ki a halozati csatlakozodugot es pakolja ki az elelmiszereket, polcokat, tartozekokat. Mossa át a belső falfelületeket, polcokat, talcakat stb. szodabikarbonas vízzel. Az atmosott felületeket oblítse le tiszta vízzel, majd torolje szarazra.



**Mielőtt a szervizt hívná, tekintse át ezt a listát.  
Ezzel időt és költséget takaríthat meg.  
A listán olyan gyakran előforduló jelenségeket, működési problémákat sorolunk fel, amelyek nem gyártási hibából vagy anyaghibáról erednek.**

## Probléma

## Lehetséges okok

**A készülék nem működik**

- **A hálózati csatlakozódugó kilazulhatott vagy kicsúszhatott a dugaljából.**  
Dugja vissza a dugót a dugaljba .
- **Kiégett egy biztosíték vagy lecsapódott a megszakító.**  
Ellenőrizze/cserélje ki a biztosítékokat és nyomja vissza a megszakító kapcsolót.
- **Áramszünet.**  
Ellenőrizze, hogy a lakásban égnek-e a lámpák.

**Vibráció, zörgés vagy rendellenes zaj**

- **A padló egyenetlen. A készülék nem stabil.**  
Szintezze be a készüléket a magasságállító-labák segítségével.
- **A készülék hátuljánál felesleges tárgyak vannak.**

**Fagyás vagy jégkristályok a fagyasztott élelmiszereken**

- **Az ajtó kissé nyitva maradt vagy valami nem engedi becsukódni.**
- **Túl gyakran nyitogatják vagy túl sokáig hagyják nyitva az ajtót.**
- **Az élelmiszer csomagolásának belső részén keletkező fagyás természetes jelenség.**

**Párásodás a készülék burkolatán**

- **Nedves környezetben gyakran előforduló jelenség.**  
Törölje át száraz törleruhával.

## Probléma      Lehetséges okok

### **Párásodás a készülék belsejében**

- Túl gyakran nyitogatják vagy túl sokáig hagyják nyitva az ajtót.
- Párás időben a levegő nedvességtartalma nyitott ajtónál lecsapódhat a készülék falán.

### **Kellemetlen szag a készülékben**

- Az erős szagú élelmiszereket szorosan záródó dobozban vagy becsomagolva kell a készülékbe tenni.
- Ellenőrizze, nem romlott-e meg valami a készülékben.
- Ki kell takarítani a készülék belsejét.  
Lásd a készülék tisztítása részt.

### **A belső világítás nem működik**

- Nincs áram a hálózatban.
- Ki kell cserélni az izzót a lámpában.  
Lásd az Izzócseréle részt.

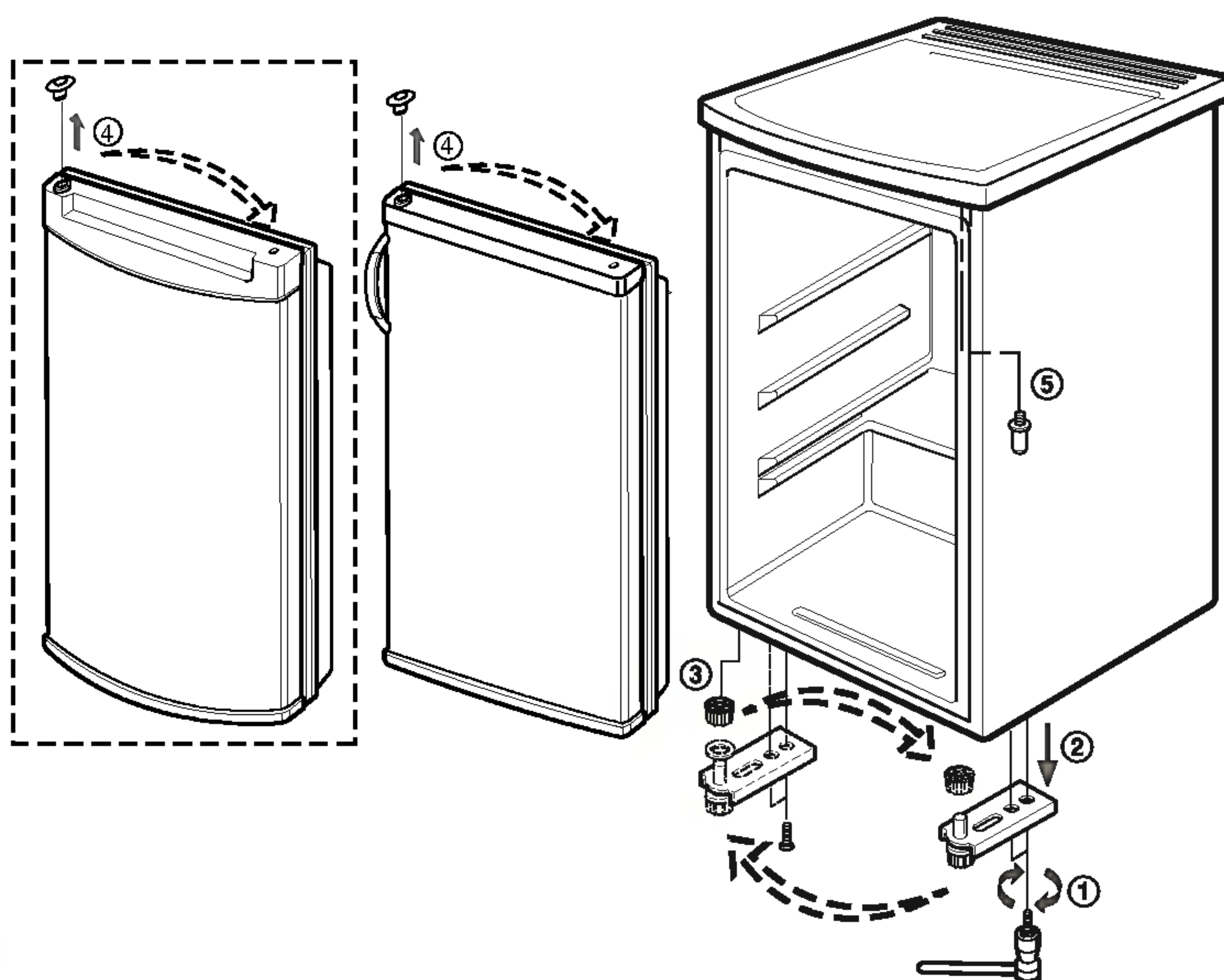
## Az ajtó nyitási irányának megváltoztatása

A készülék változtatható nyitási irányú ajtókkal készült, így azok jobbra vagy balra nyithatók. A legegyszerűbb megoldás rögtön az első üzembe helyezéskor szükség szerint felszerelni a zsanérokat, mert később több kényelmetlenséget okoz egy ilyen művelet. A zsanérok felszerelését az alábbi ábrák és a megadott sorrend szerint végezze.

### Óvintézkedés

1. Először húzza ki a hálózati csatlakozódugót.
2. Távolítsa el a kivehető tartozékokat a készülék belsejéből.
3. Óvatosan fektesse a készüléket a hátoldalára az eredeti csomagolásra.
4. A csavarok kilazításához és megszorításához használjon csavarkulcsot vagy villaskulcsot.

1. Csavarja ki a 2 X csavart ①, és vegye le a zsanert (L) ②.
2. Távolítsa el a labat. ③
3. Enyhén húzza lefele az ajtót, és vegye le a készülékről.
4. Az ajtó visszaszerelése előtt húzza ki a zsanérfedősapkát az eredeti helyéről és helyezze át az ajtó másik oldalára ④. A művelet során ügyeljen arra, hogy a környező felületeket ne sértse fel.
5. Csavarja ki a felső zsanér rögzítőcsapját (U) ⑤ és csavarja be az ellenkező oldalon lévő lyukba.





## Az ajtó nyitási irányának megváltoztatása

6. A két csavar segítségével rögzítse az alsó zsanert (L) az ellenkező oldalon.
7. Helyezze vissza az állítható labat a zsanerba (L), körülbelül 20 mm-re állítva.
8. Óvatosan állítsa talpra a készüléket.  
A vibrációt az állítható labbal előzheti meg, ezen felül ellenőrizze, hogy az ajtó megfelelően nyílik és csukódik-e.

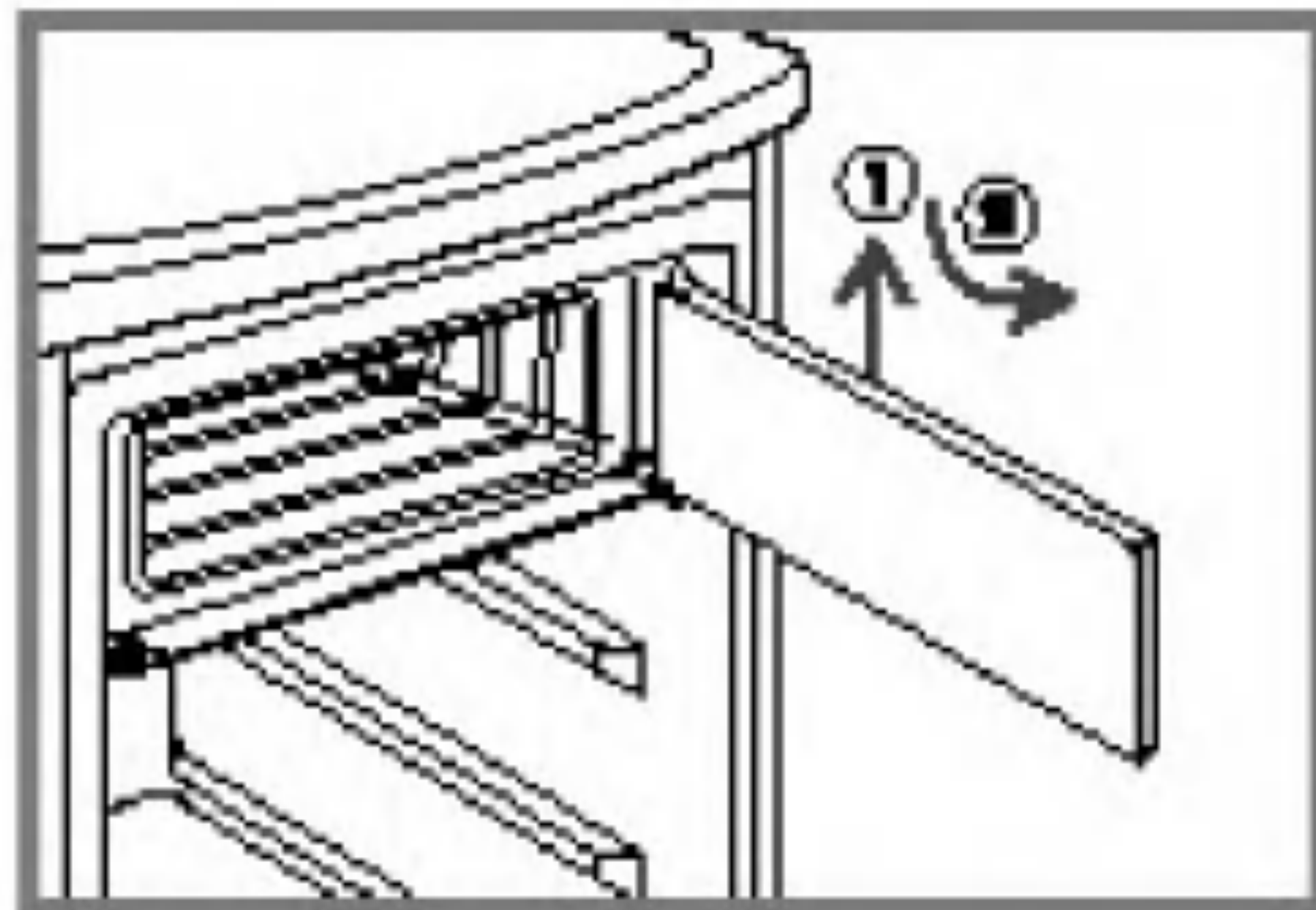
### FIGYELEM

A mindket irányban nyitható ajtók esetében előfordulhat, hogy az erőteljesen becsukott ajtó újra kinyílik a reakcióerő miatt. Kerjük, győződjön meg arról, hogy az ajtó megfelelően csukódik-e.

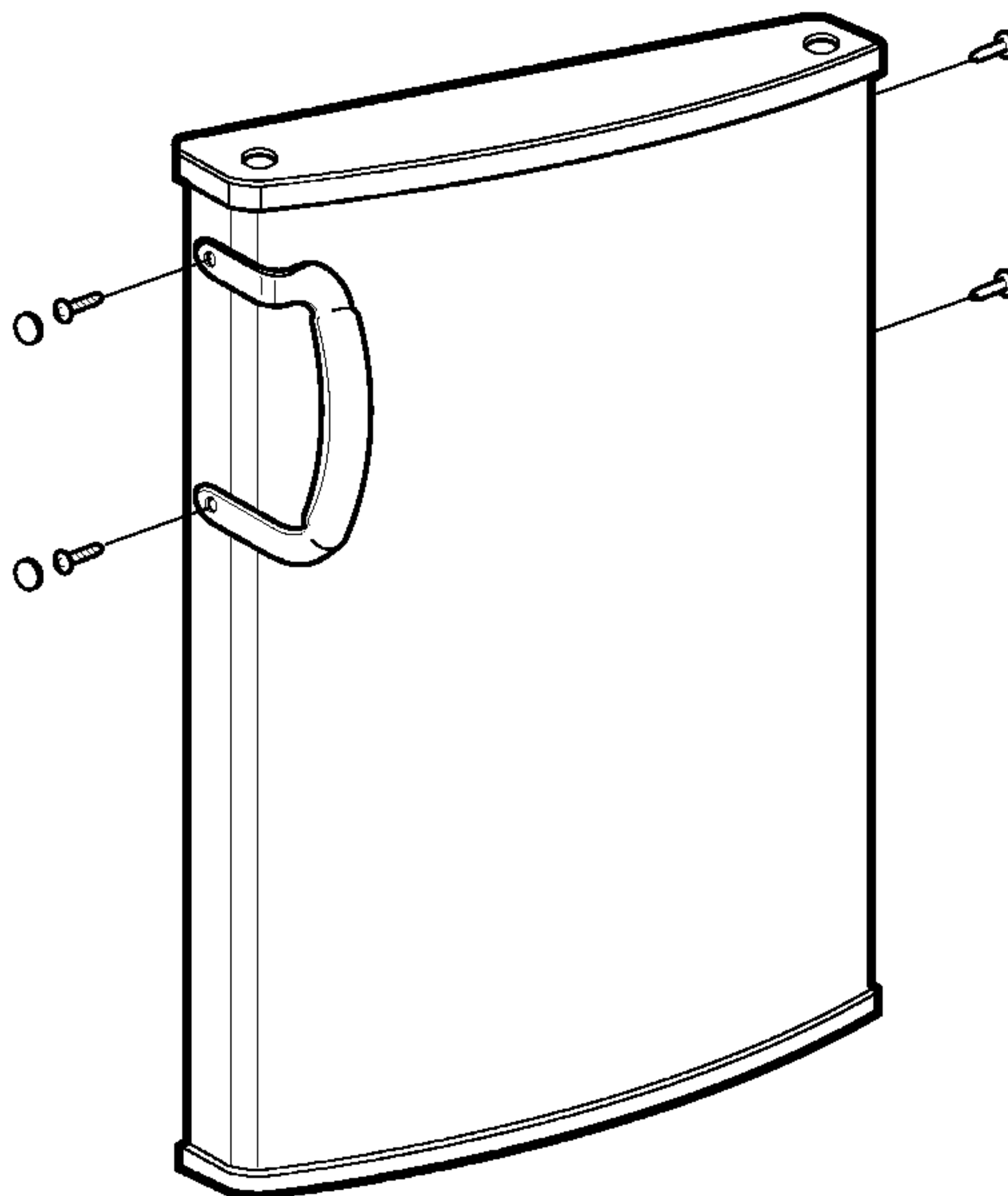
## Az Eva ajtó nyitása irányának megváltoztatása

Ha a hűtőszekrény ajtajának nyitási irányát megváltoztatja, célszerű a mélyhűtőt is átszerelni. A zsanerek átszerelését az alábbi ábrák és a megadott sorrend szerint végezze.

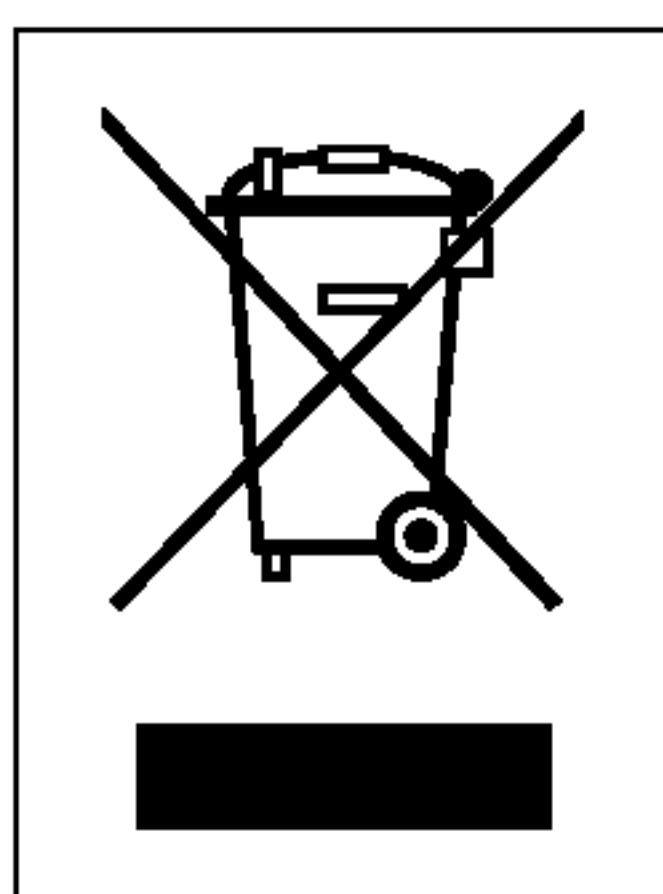
1. Nyissa ki az EVA AJTÓT, és fogja meg az EVA AJTÓ zsanerjának alsó részét.
2. Kisse megemelve vegye ki az ajtót.
3. Forgassa el az EVA AJTÓT 180 fokkal, majd illessze vissza azt az ellenkező oldalon, először a felső, majd az alsó lyukba.
4. Ellenőrizze, hogy a művelet megfelelően sikerült-e.



## Ajtófogantyú (opcionális)



### Régi eszközök ártalmatlanítása



1. A termékhez csatolt áthúzott, kerek szeméttároló jel jelöli, hogy a termék a 2002/96/EC EU-direktíva hatálya alá esik.
2. Minden elektromos és elektronikai terméket a lakossági hulladéktól elkülönítve kell begyűjteni, a kormány vagy az önkormányzatok által kijelölt begyűjtő eszközök használatával.
3. Régi eszközeinek megfelelő ártalmatlanítása segíthet megelőzni az esetleges egészségre vagy környezetre ártalmas hatásokat.
4. Ha több információra van szüksége régi eszközeinek ártalmatlanításával kapcsolatban, tanulmányozza a vonatkozó környezetvédelmi szabályokat, vagy lépjen kapcsolatba az üzlettel, ahol a terméket vásárolta.



# **CHLADNIČKA - MRAZNIČKA**

**Příručka uživatele**  
**GC-181SA**

Prosím, přečtete si pečlivě tuto příručku uživatele před uvedením přístroje do provozu a mějte ji po ruce pro pozdější nahlížení.



## Obsah

<b>Úvod</b>	Důležité bezpečnostní instrukce	4
	Identifikace dílů Instalace Umístění	6
<b>Instalace</b>	Umístění	7
	Instalace s / bez horní desky	7
	Nastavení vyrovnávacích sroubů	8
<b>Provoz</b>	Spustení	9
	Rízení teploty	9
	Odmrazování	10
<b>Připomínka k uložení potravin</b>	Ukládání potravin	11
	Mrazicí oddelení	11
	Chladicí oddelení	11
<b>Péče a údržba</b>	Všeobecné informace	12
	Vyměna žárovky	13
	Čištění	13
<b>Vyhledání závad</b>	Vyhledání závad	14
<b>Obrácení dveří</b>	Jak obrátit dveře	16
	Jak obrátit Eva dveře	17
	Madlo dveří (volitelně)	18

## Důležité bezpečnostní instrukce

### Preventivní opatření

Chladnička – mraznička musí být před používáním radně instalována a umístěna v souladu s instrukcemi pro instalaci. **NIKDY nevypínejte chladničku-mrazničku tahaním za napájecí kabel.** Vždy uchopte pevně vidlici a vytahnete ji rovne ze zásuvky.

**Když přesouváte chladničku od zdi, dejte pozor, abyste nepřejeli ani nepoškodili napájecí kabel.**

**Když chladnička-mraznička běží, nedotýkejte se vlhkýma nebo mokřýma rukama studených povrchů v mrazničce.** Pokozka by se mohla přilepit k extrémne chladným povrchům.

Před cistením chladničky-mrazničky vytahnete přívodní snůru ze zásuvky.

Nikdy neposkozujte, víckrát neohybejte, netahejte ani nezkrucujte přívodní snůru, protože poskozena přívodní snůra může způsobit požar nebo úraz elektrickým proudem.

Nikdy neukladejte sklenene výrobky do mrazničky, protože by mohly prasknout, když jejich obsah zmrzne.

### Nepoužívejte prodlužovací kabel

Pokud možno připojte chladničku-mrazničku do její vlastní elektrické zásuvky, aby chladnička a ostatní spotřebice nebo osvětlení domácnosti nezpůsobily přetížení.

### Přístupnost napájecí zásuvky

Napájecí zásuvka chladničky-mrazničky by měla být umístěna na snadno přístupném místě pro rychle rozpojení v případě nouze.

### Výměna napájecího kabelu

Když je napájecí kabel poskozen, musí jej vymenit výrobce nebo jeho servisní zastupce nebo podobne kvalifikovana osoba, abyste se vyhnuli nebezpečí.

## Důležité bezpečnostní instrukce

### ⚠ Nebezpečí

Riziko zachycení dětí.

Dríve než odložíte starou chladničku nebo mrazničku:

Odstráňte dveře.

Nechte police na místě, aby děti nemohly snadno vysplhat dovnitř.

### Neskladujte

NESKLADUJTE ani nepoužívejte benzín nebo jiné hořlavé výpary a kapaliny v blízkosti tohoto ani jiného spotřebiče.

### Uzemnění

V případě elektrického zkratu snižuje uzemnění riziko úrazu elektrickým proudem tím, že zajišťuje svodový vodič pro elektrický proud. Aby se zabránilo možnému úrazu elektrickým proudem, toto zařízení musí být uzemněno. Nesprávné použití zemnicího kolíku může vést k úrazu elektrickým proudem.

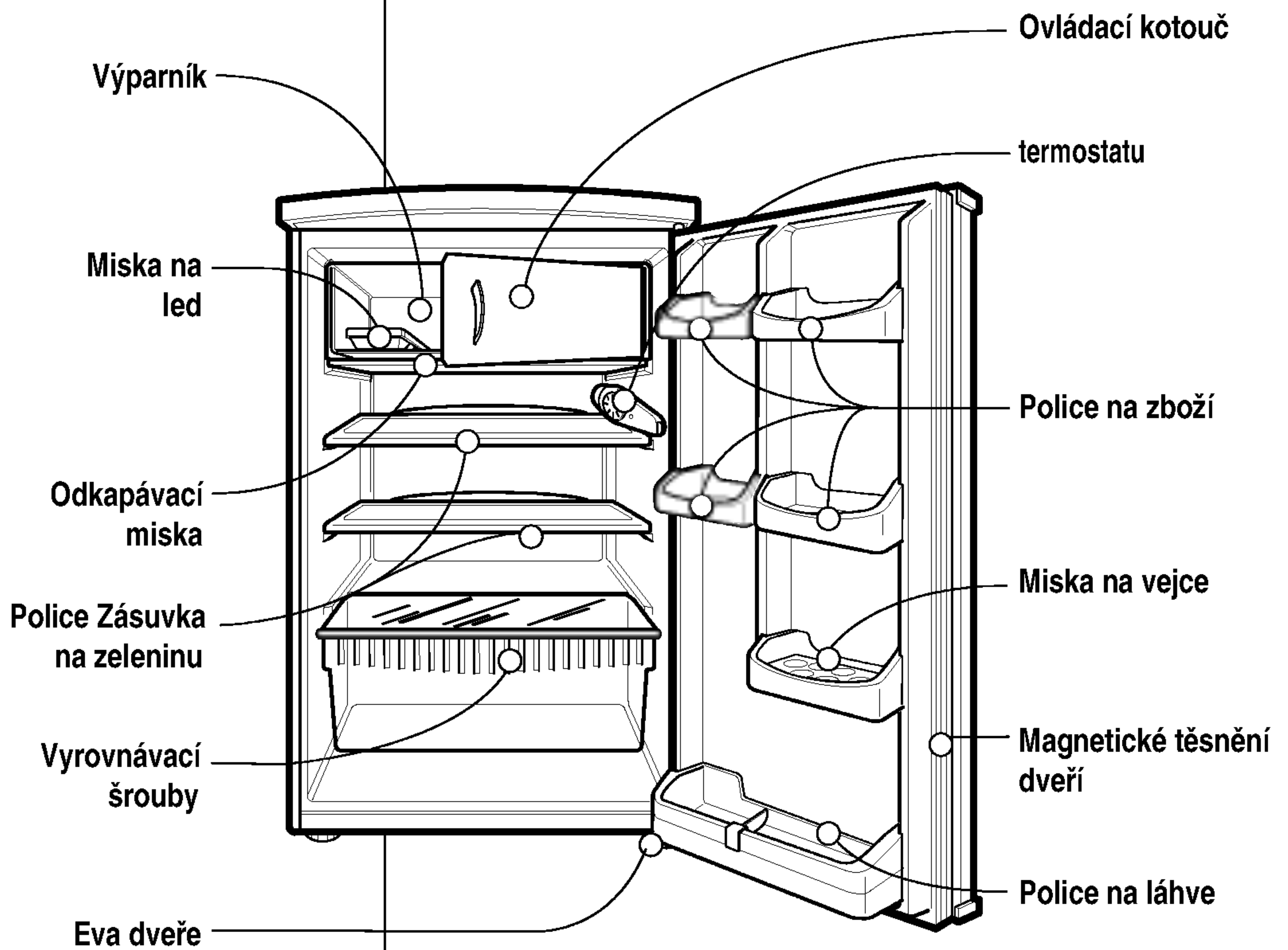
Jestliže plně nerozumíte instrukcím o uzemnění, nebo máte-li pochybnosti o tom, zda je zařízení správně uzemněno, poraďte se s kvalifikovaným elektrikářem nebo se servisním technikem.

### ⚠ Varování

- ⚠ Ventilací otvory v krytu zařízení nebo v zastavbové konstrukci udržujte průchodné bez překážek.
- ⚠ Nepoužívejte mechanická zařízení nebo jiné prostředky k urychlení procesu odmrazování jiné než jsou doporučena výrobcem.
- ⚠ Nepoškozujte chladicí okruh.
- ⚠ Nepoužívejte elektrická zařízení uvnitř oddělení pro uložení potravin v zařízení, pokud nejsou typu doporučeného výrobcem.
- ⚠ Chladicí médium a izolační plyn použité ve spotřebiči vyžaduje speciální postupy pro likvidaci. Při likvidaci se poraďte se servisním zástupcem nebo s podobně kvalifikovanou osobou.



## Identifikace dílů

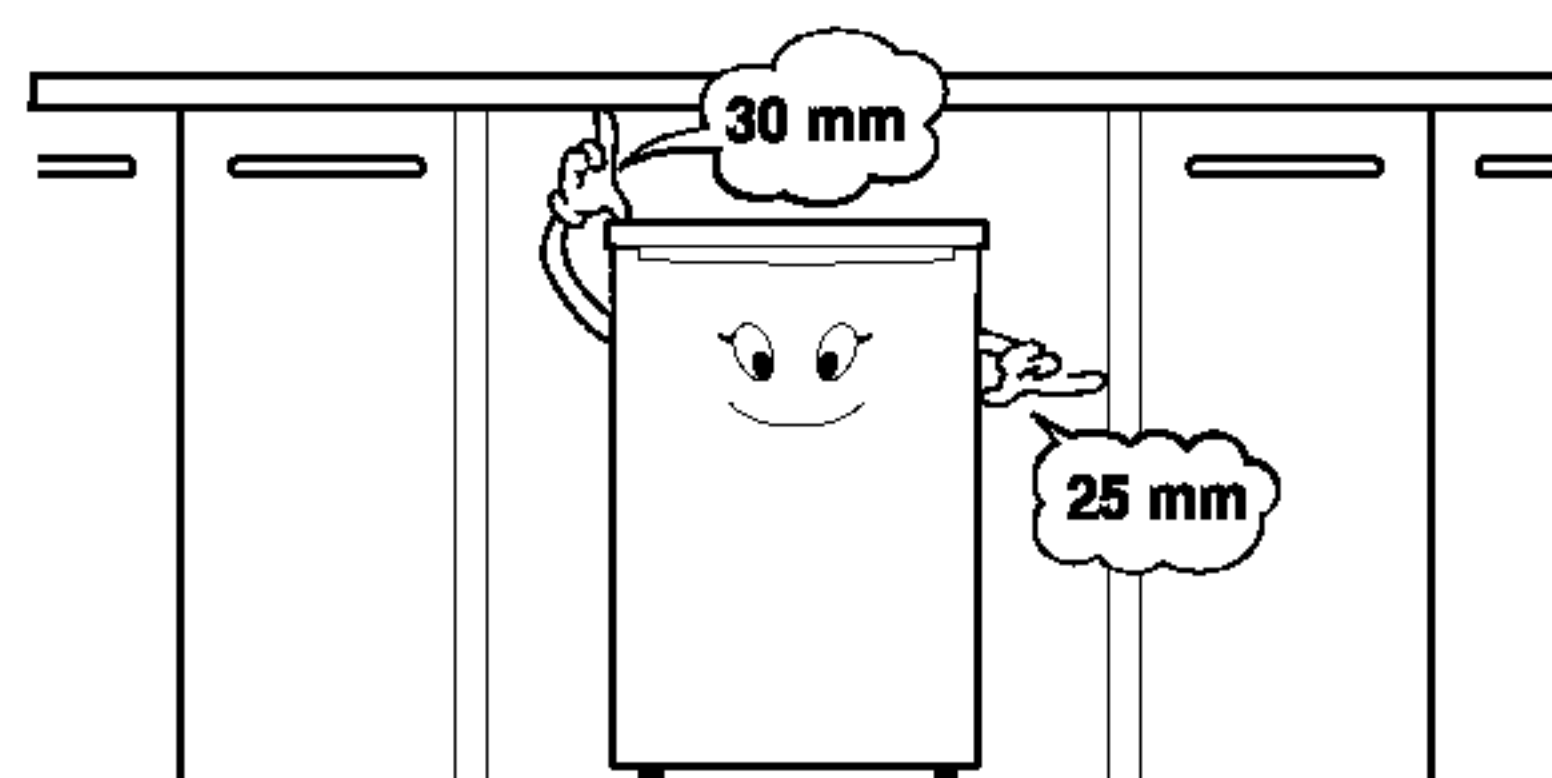


## Umístění

### Varování

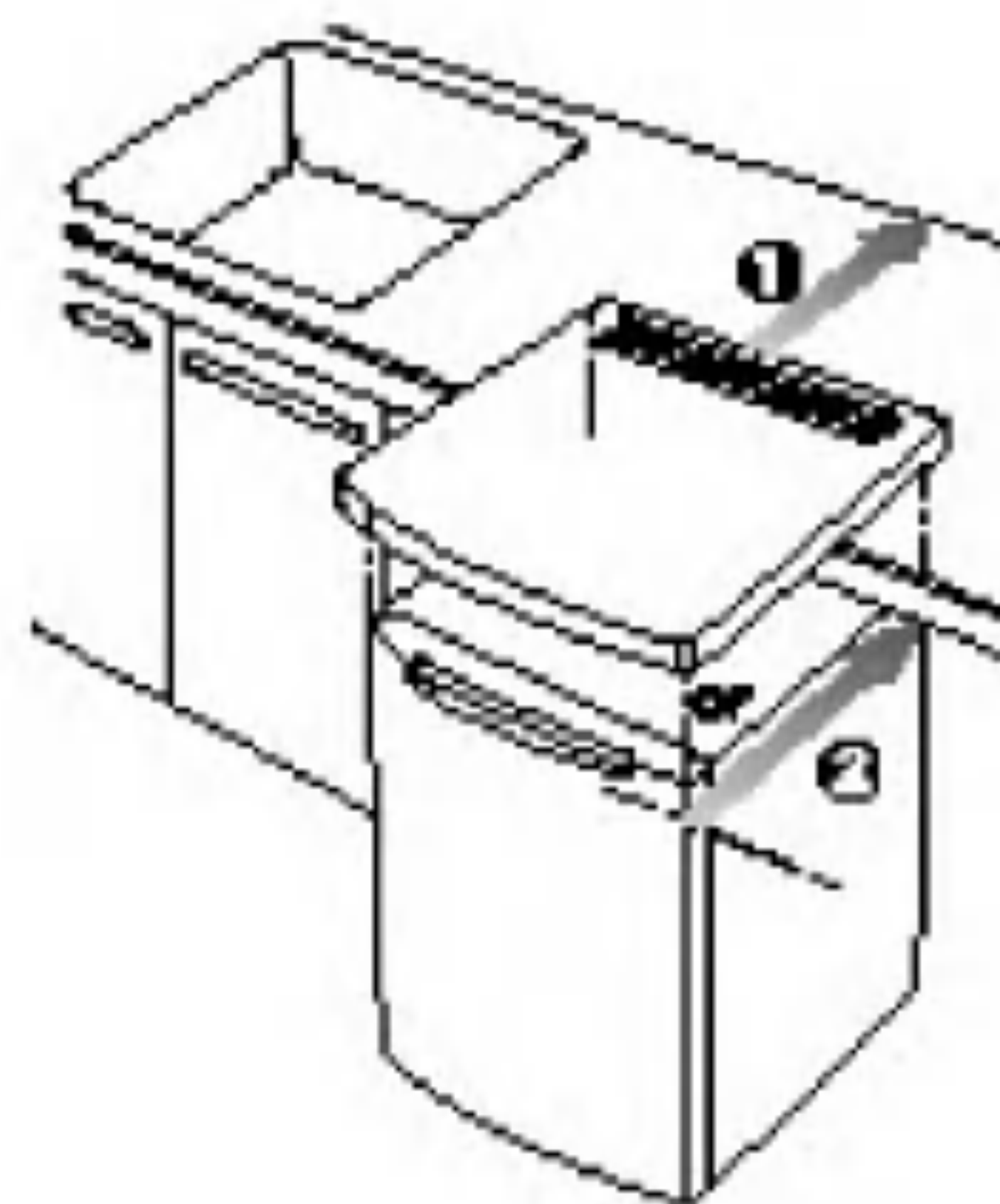
Nepoužívejte chladničku po delší dobu, když teplota klesá pod 16°C nebo roste nad 32°C.

- Neumisťujte chladničku u zdrojů tepla, na přímém světle nebo na vlhkém místě.
- Pro efektivní provoz vaší chladničky je důležitá dostatečná cirkulace vzduchu.
- Je-li vaše chladnička umístěna ve vyklenku zdi, ponechte mezeru nejméně 30 mm nebo větší nad chladničkou a 25 mm nebo víc od zdi.
- Je-li podlaha opatřena kobercem, chladnička by měla být vyzvednuta 25 mm nad podlahou.



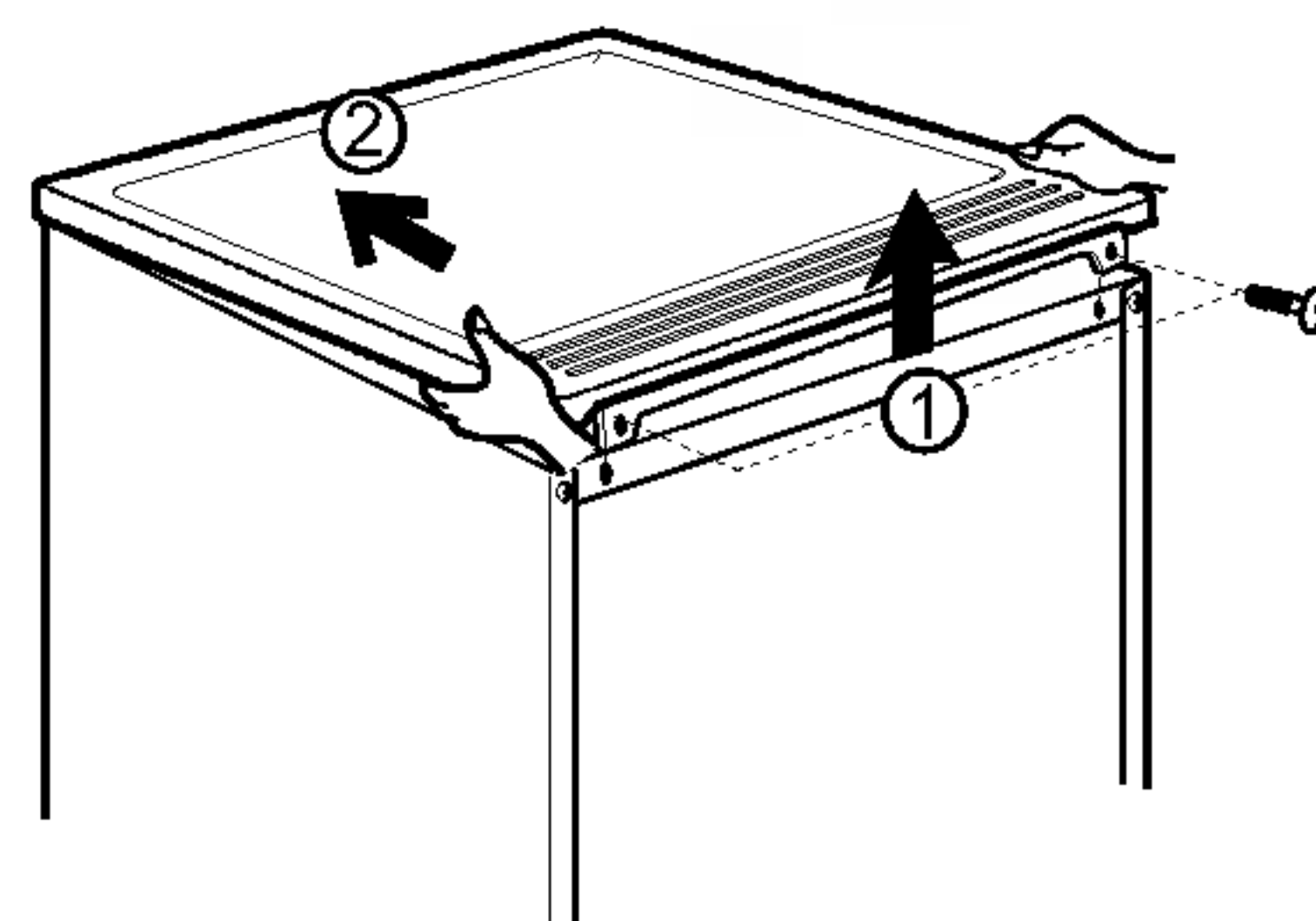
### Instalace s/bez horní desky

1. Když instalujete s horní deskou (volně stojící), zatlačte chladničku tak daleko, až se otvor pro cirkulaci vzduchu téměř dotýká stěny.
2. Když instalujete bez horní desky, vyrovnejte čelní plochu dveří s čelní stěnou kuchyňského nábytku.



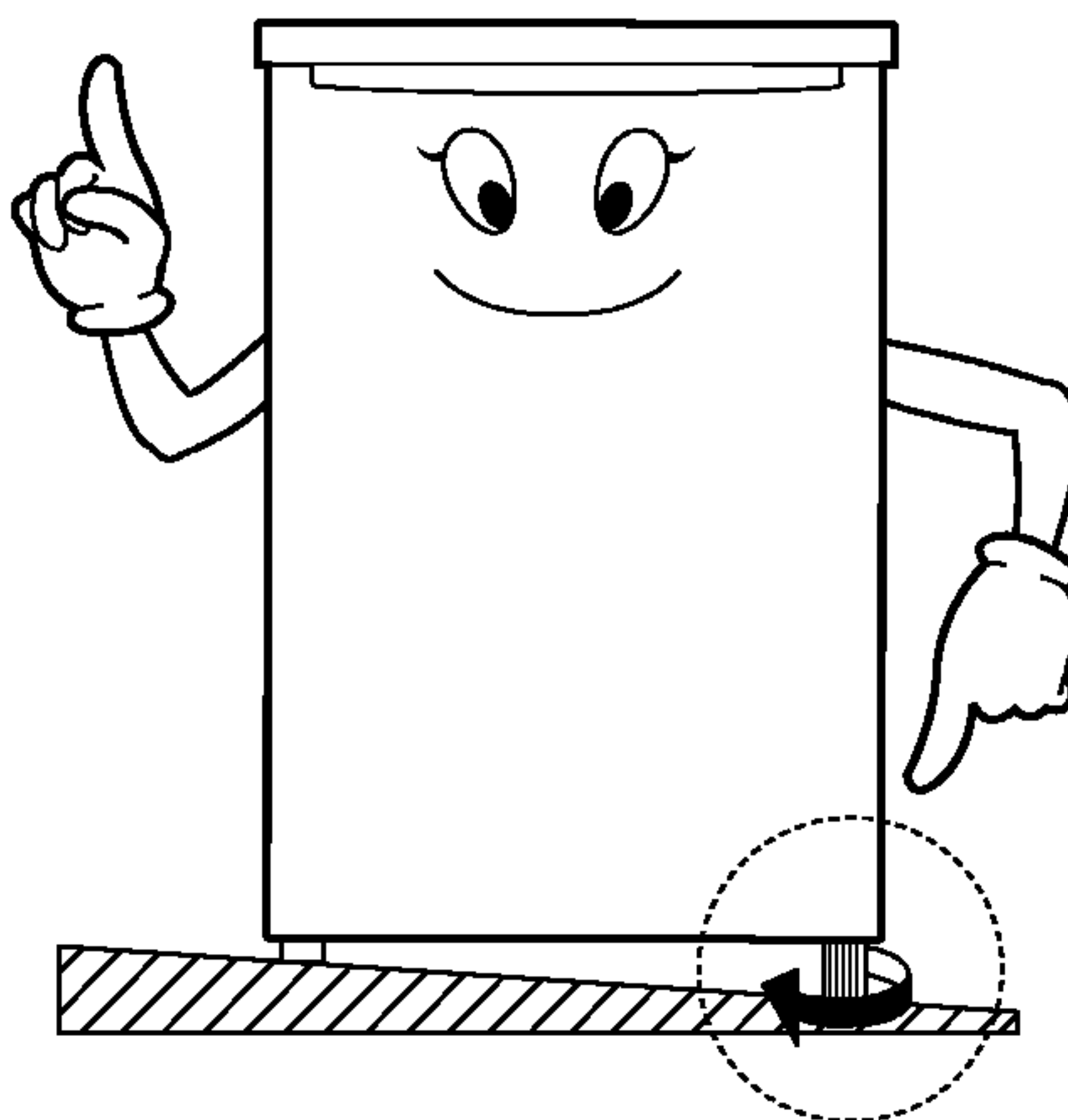
### Jak sejmout horní desku

1. Odsroubujte 2 šrouby vzadu na horní desce.
2. Podržte zadní část horní desky a zatlačte dopředu při současném lehkém zvednutí desky.



## Nastavení vyrovnávacích šroubů

- Aby se zabránilo vibracím chladničky, musí být umístěna na rovne ploše.
- Když je to zapotřebí, kompenzujte nerovnost podlahy pomocí vyrovnávacích šroubů. Přední by měly být trochu vyšší než zadní, aby se dveře snadněji zavíraly.
- Vyrovnávací šrouby mohou být nastaveny lehkým vyklopením ledničky.
- Otáčením vyrovnávacích šroubů ve směru hodinových ručiček se chladnička zvedá.



### Další

- Důkladně očistete vaši chladničku a odstráňte veškerý prach, nashromážděný při přepravě.
- Instalujte doplňky, jako např. misku na led, police atd. na svá místa. Jsou zabaleny těsně u sebe, aby se zabránilo případnému poškození při přepravě.
- Zapojte přívodní šňůru do síťové zásuvky. Nepřidávejte do stejné zásuvky další zařízení.
- Před použitím nechte ledničku zapnutou na 2-3 hodiny. Zkontrolujte tok chladného vzduchu na vyparníku, aby bylo zajištěno správné chlazení.



## Spuštění

Při prvním zapnutí chladničky ji ponechte v činnosti nejméně 2-3 hodiny, aby se ustálila na normální teplotě, před vložením čerstvých potravin.

Je-li provoz přerušen, počkejte 5 minut před novým zapnutím.

## Ovládání teploty

Poznámka

Odkapávací miska v mraznici by měla být instalována přesně v dotyku s vnitřní stěnou.

Ovládání mrazničky – reguluje teplotu v mraznici a je zobrazeno jako VYP, 1, 2, ... 7.

Mrazicí výkon mrazicího oddělení jsou 2 hvězdičky při nastavení na 4 nebo víc a potraviny mohou být uloženy až 1 měsíc.

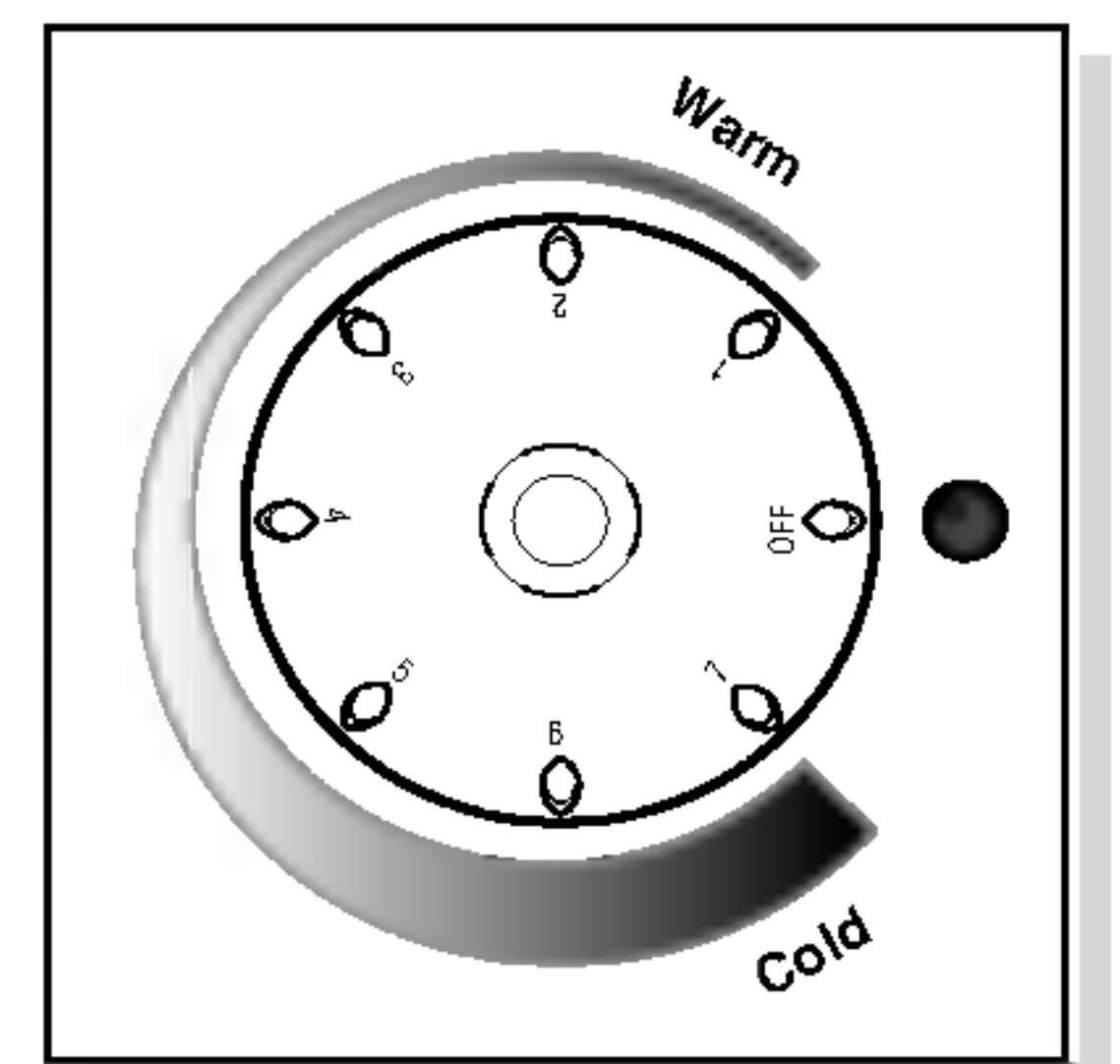
Oddělení chladničky je chlazeno studeným vzduchem z oddělení mrazničky.

### Příliš teplo

Otacením ovládacím teploty ve směru hodinových ručiček se nastaví na nižší teplotu (nastavení na vyšší číslici).

### Příliš chladno

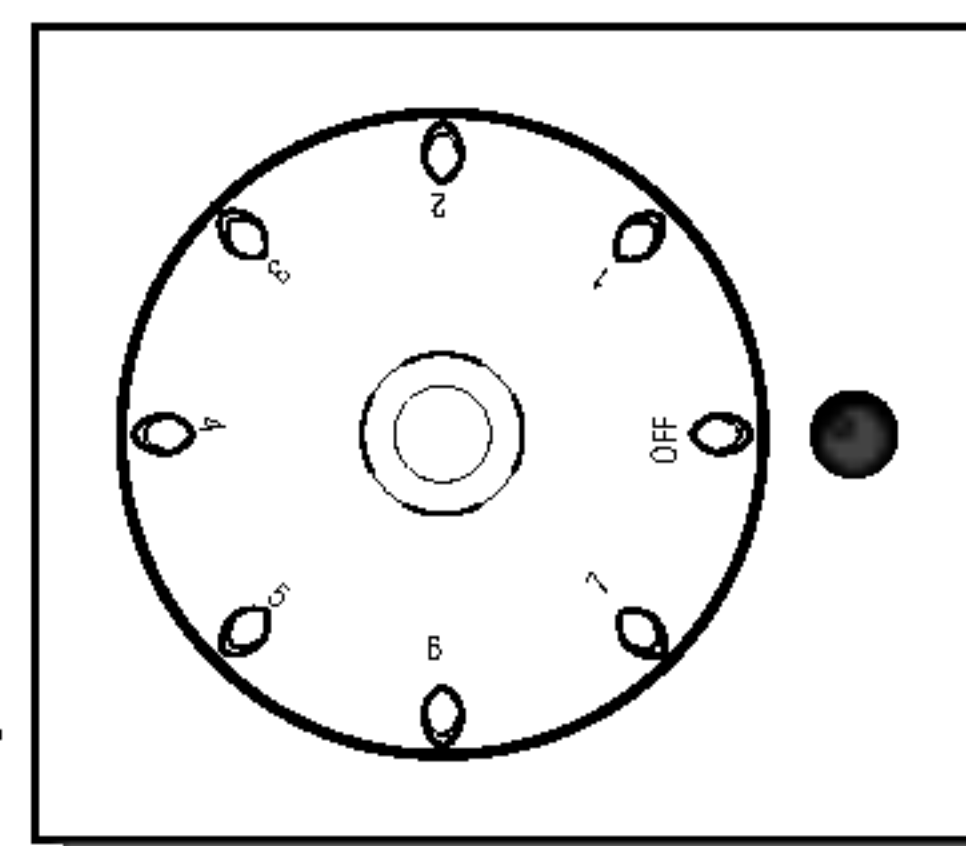
Otacením ovládacím teploty proti směru hodinových ručiček se nastaví na vyšší teplotu (nastavení na nižší číslici).



**Nastavení ovládacím teploty závisí na umístění chladničky, teplotě v místnosti a jak často se otvírají dveře chladničky.**

## Odmrazování

- Je nutné chladničku pravidelně odmrazovat, aby se zajistil hospodarný provoz. Namraza na povrchu vyparníku by nemela před odmrazením překročit tloušťku 6 mm.
- **Pro odmrazení otočte ovládání na VYP.**
- Před začátkem operace odmrazování vyjmete potraviny z vyparníku a zabalte je do papíru nebo látky, pak je uložte na chladné místo nebo do jiné chladničky. Umístete odkapovací misku do správné polohy.
- Umístíte-li do mrazničky lahev s teplou vodou, zkrátí se doba odmrazování.
- Když je odmrazování skončeno, vyjmete odkapovací misku, vylijte vodu, misku osušte a vraťte ji zpět do její normalní polohy.  
Nastavte ovládací kotouč na požadovanou teplotu.



### POZOR

Nikdy nepoužívejte ostre nebo kovove předmety k odstranení ledu, namrazy nebo misky na led z vyparníku.

## Uložení potravin

- Jak jsou potraviny zmrazeny a rozmrazeny, je důležitý faktor pro zachování čerstvosti a vůně.
- Neukládejte potraviny, které se za nízkých teplot snadno zkazí, jako jsou banány, ananasy a melouny.
- Před uložením nechte teple potraviny vychladnout. Přidání příliš mnoho teplých potravin do chladničky může zkazit ostatní potraviny a véde k vysokému účtu za elektrinu.
- Neotvírejte příliš často dveře. Kdykoliv se otevrou dveře, teplý vzduch vnikne do chladničky a způsobí zvýšení teploty.

## Mrazicí oddělení

- Neukládejte do mrazicího oddělení lahve – mohou při zmrznutí prasknout.
- Nezmrazujte znovu potraviny, které byla úplně rozmrazeny. Způsobí to ztrátu chuti a nutriční hodnoty.

## Chladicí oddělení

- Při uložení obalte potraviny do plastového sáčku nebo je vložte do zakryté nádoby. To zabrání odparení vlhkosti a pomůže uchovat chuť a živiny v potravinách.
- Před zchlazením potraviny vždy očistete. Zelenina a ovoce by se měly omyt a osušit a balené potraviny by měly být čisté otřené, aby se zabránilo zkazení vedle uložených potravin.
- Potraviny s pachem (ryby, sýry, maslo atd.) by měly být baleny odděleně nebo uloženy v uzavřených nádobách.

### POZNÁMKA

V případě umístění velké lahve v polici na zboží, když je použita velká síla pro otevření / zavření dveří, může lahev spadnout, tak buďte opatrní.



## Všeobecné informace

### Nepřítomnost

Když planujete odjet na delší čas, vyjmete všechny potraviny, odpojte přívodní šňůru, pečlivě ocistete vnitřek a nechte dveře otevřené, aby se zabránilo vzniku pachu.

### Výpadek proudu

Většina výpadků proudu je opravena během 1-2 hodin a nebude mít vliv na teploty v chladničce. Nicméně byste měli po dobu vypnutí proudu minimalizovat počet otevření dveří. Během dlouhodobého výpadku proudu položte nahoru na zmrazené balíky kus suchého ledu.

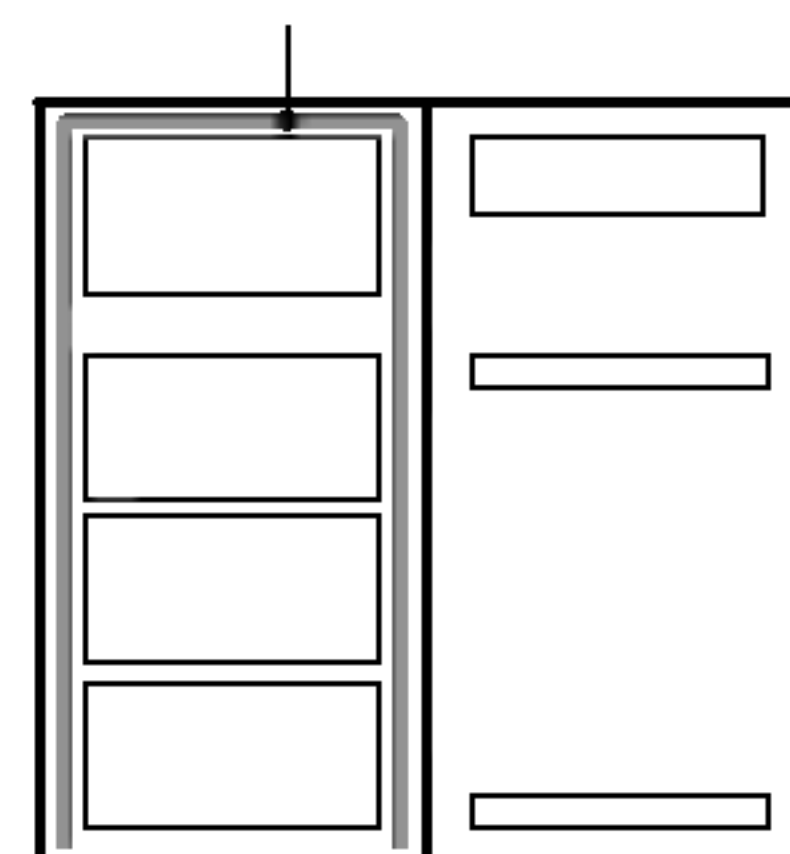
### Když se stěhujete

Vyjmete všechno vybavení uvnitř lednice nebo pevně upevníte všechny volné předměty. Aby se zabránilo poškození vyrovnávacích šroubů, zasroubujte je úplně do základny.

### Trubka proti kondenzaci

- Protikondenzací trubka je instalována okolo celní strany chladničky-mrazničky, aby se zabránilo rosení.
- Speciálně po instalaci nebo když je vysoká okolní teplota, se může zdát být chladnička-mraznička horká, ale to je docela normální.

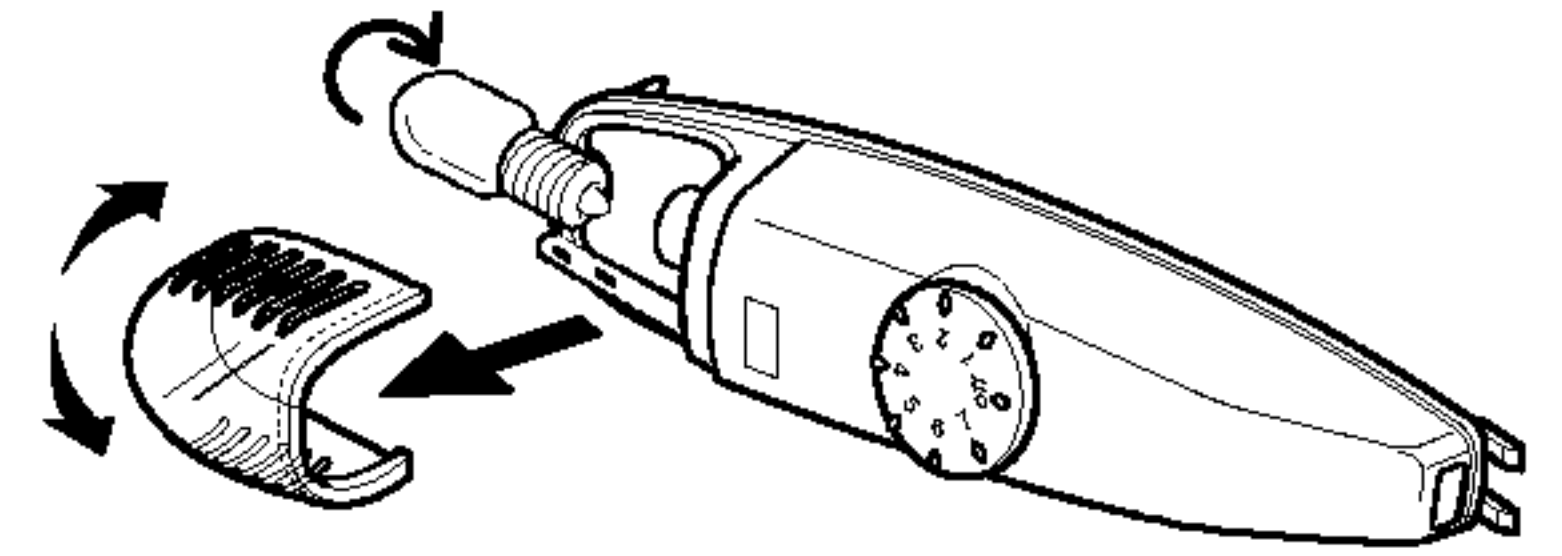
Trubka proti kondenzaci



**⚠ Varování****Výměna žárovky**

Vytáhněte napájecí kabel ze zásuvky.

1. Vyjměte odkapovací misku a police ven, abyste měli snazší přístup.
2. Přidržte kryt svítidla, jemně jej vytáhněte ze schránky termostatu otáčením nahoru a dolů.
3. Otáčejte žárovkou proti směru hodinových ručiček a vyjměte ji.
4. Montáž je v opačném pořadí než demontáž.



Vyměněná žárovka musí být stejného typu jako původní.

**Čištění**

- Je důležité udržovat chladničku v čistotě, aby se zabránilo vzniku nežádoucích pachů. Rozlité potraviny by se měly ihned otřít, neboť by mohly oxidovat a poskvřelit plastové povrchy.
- Na zadní povrchy nikdy nepoužívejte kovové drátěnky, kartace, hrubé abrazivní čističe nebo silně zásadité roztoky.
- Před čistením si pamatujte, že mokré předměty se přilepí nebo přilnou k extrémně studeným povrchům. Zmrzlých povrchů se nedotýkejte vlhkými nebo mokrymi rukama.

**Vnější**

Použijte vlažný roztok jemného mydla nebo saponátu k očištění trvanlivé povrchové úpravy chladničky. Otrete čistým vlhkým hadříkem a potom osušte.

**Vnitřek**

Doporučuje se pravidelně čistit vnitřek a vnitřních dílů. Odpojte přírodní síť a vyjměte potraviny a police, misky atd. Omyjte celé oddělení a police, misky atd. roztokem sody. Oplachnete a osušte.

**Před voláním servisu zkontrolujte tento seznam.  
Může vám to ušetřit čas i náklady.  
Tento seznam obsahuje časté případy, které nejsou  
důsledkem vadné práce nebo materiálů v tomto zařízení.**

## Problém Možné příčiny

**Chladnička- mraznička  
nepracuje**

- **Může být vytažená přívodní šňůra z elektrické zásuvky.**  
Bezpečně ji zasunte
- **Domácí pojistka je spálená nebo je vypnutý jistič.**  
Zkontrolujte a nebo vyměňte pojistku a nastavte jistic.
- **Výpadek proudu.**  
Zkontrolujte domovní osvětlení.

**Vibrace nebo  
otřásání nebo  
abnormální hluk**

- **Podlaha, na které je chladnička-mraznička instalovaná, může být nerovná nebo může být nestabilní chladnička-mraznička.**  
Vyrovnejte ji otáčením vyrovnávacích sroubů.
- **Zbytečné předměty umístěné na zadní straně chladničky-mrazničky.**

**Námraza nebo  
ledové krystaly  
na zmrazených  
potravinách**

- **Dveře mohly být ponechané otevřené nebo obal zadržel dveře pootevřené.**
- **Příliš časté nebo příliš dlouhé otevírání dveří.**
- **Námraza v obalu je normální.**

**Na povrchu skříně  
se tvoří vlhkost**

- **Tento jev se obvykle vyskytuje ve vlhkých prostorách.**  
Otrete jej suchou uterkou.



## Problém Možné příčiny

**Uvnitř se  
shromažďuje  
vlhkost**

- Příliš časté nebo příliš dlouhé otevírání dveří.
- Za vlhkého počasí se vzdušná vlhkost přenáší do chladničky, když jsou její dveře otevřené.

**V ledničce je pach**

- Potraviny se silným pachem by měly být těsně zakryté nebo zabalené.
- Zkontrolujte zkažené potraviny.
- Vnitřek potřebuje vyčistit.  
Viz část Čistění.

**Vnitřní světlo  
nefunguje**

- Přerušená dodávka do zásuvky.
- Žárovka potřebuje vyměnit.  
Viz oddíl Výmena žárovky.

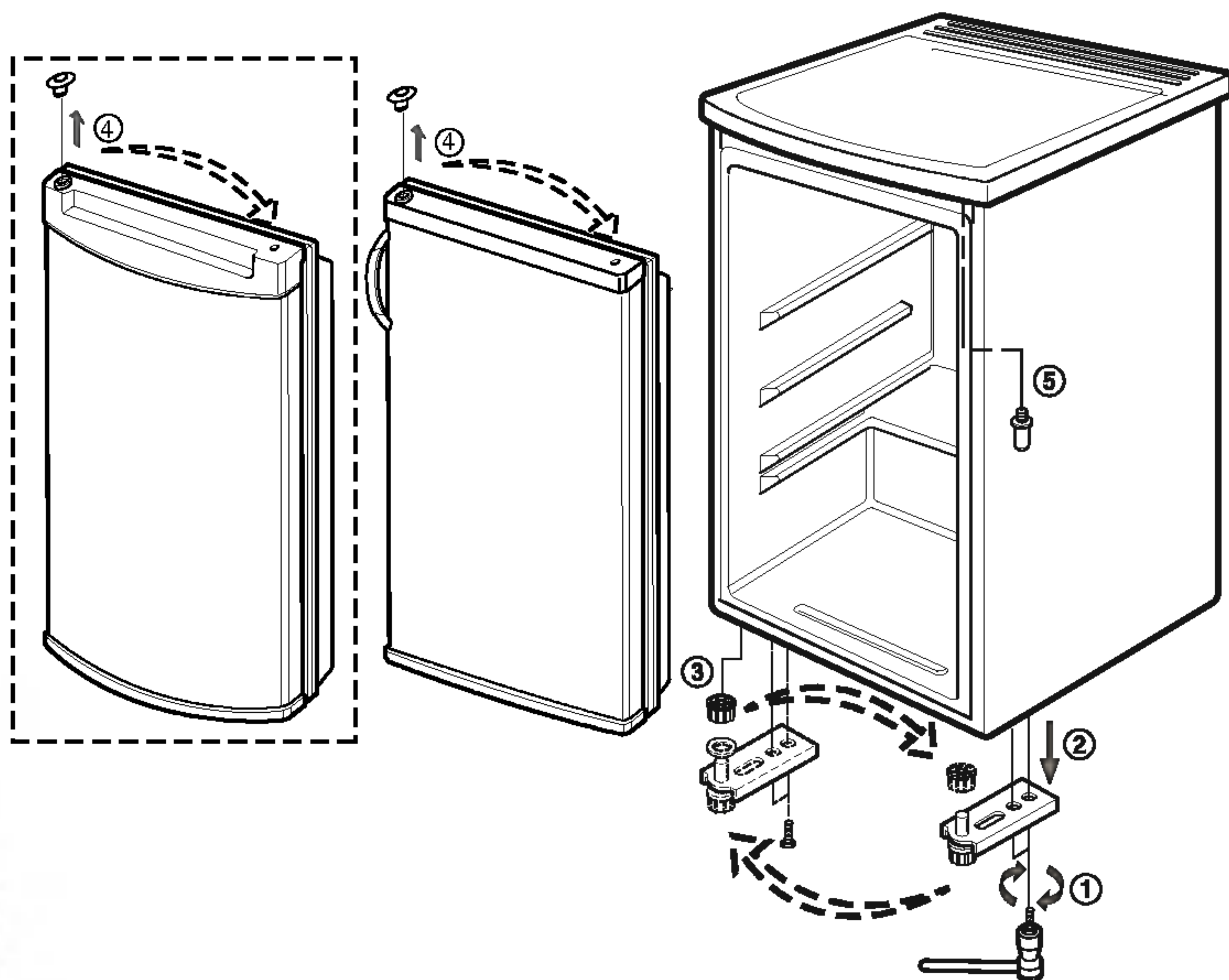
## Jak obrátit dveře

Chladnička je navržena s oboustrannými dveřmi, takže je můžete otvírat zleva nebo zprava. Nejlepší je přemístit dvéřní závěsy hned na začátku, protože je nevhodné to provádět později. Pro výměnu dvéřních závěsů se prosím řiďte níže uvedeným obrázkem a postupujte následovně.

### Opatření

- 1). Nejprve zařízení odpojte .
- 2). Vyjmete všechno volné vybavení z vnitřku zařízení.
- 3). Opatrně položte spotřebič na podložku jako např. Baliací materiál, aby ste zabránili poškození okruhu s chladivom.
- 4). Použijte momentový klíč nebo maticový klíč pro upevnění nebo utažení šroubů.

1. Vysroubujte 2 šrouby, potom vyjmete závěs (L)②.
2. Vyjmete patku.③
3. Jemně stáhnete dveře dolů a vyjmete je.
4. Před zpevněním dveří přehodte víko závěsu jeho vytazením ze stávajícího umístění a přemístěním na druhou stranu dveří. ④Je třeba dávat pozor, aby se při vyjímání víka závěsu neposkodily přilehlé povrchy.
5. Vysroubujte kolík horního závěsu (U)⑤ a zasroubujte jej do díry na opačné straně.



## Jak obrátit dveře

6. Použitím 2 šroubů zajistete spodní zaves (L) na opačné straně.
7. Přemístíte nastavitelnou patku v zavesu (L), nastavíte ji asi na 20 mm.
8. Opatrně postavte zařízení do svislé polohy.  
Použijte nastavitelnou patku, aby zařízení nevibrovalo a zkontrolujte, že dveře se správně otvírají a zavírají.

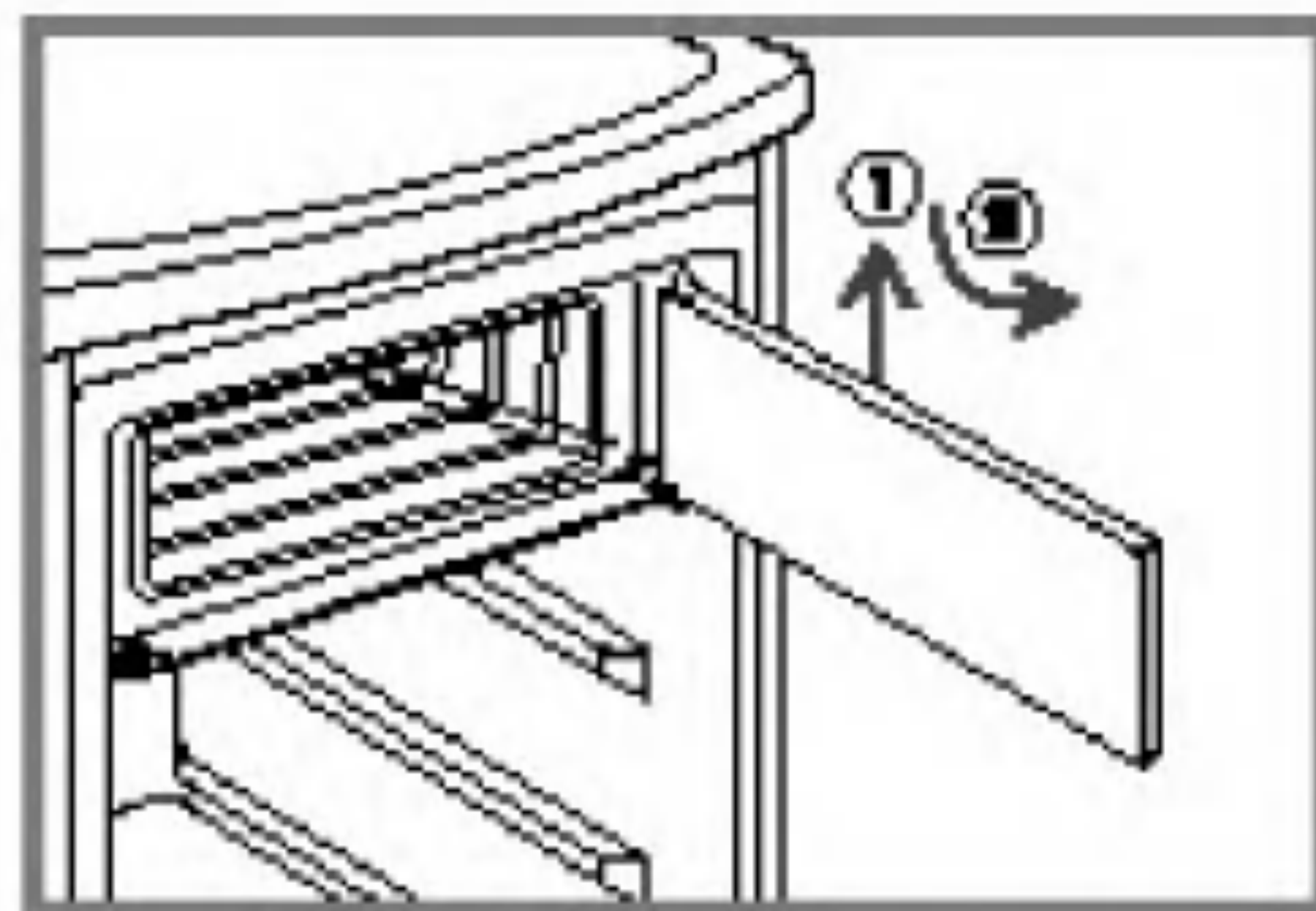
### POZNÁMKA

V případě použití oboustranných dveří, když zavrete dveře velkou silou, mohlo by se stát, že se dveře nezavrou v důsledku reakční síly.  
Presvědčte se, prosím, že se dveře správně zavírají.

## Jak obrátit EVA dveře

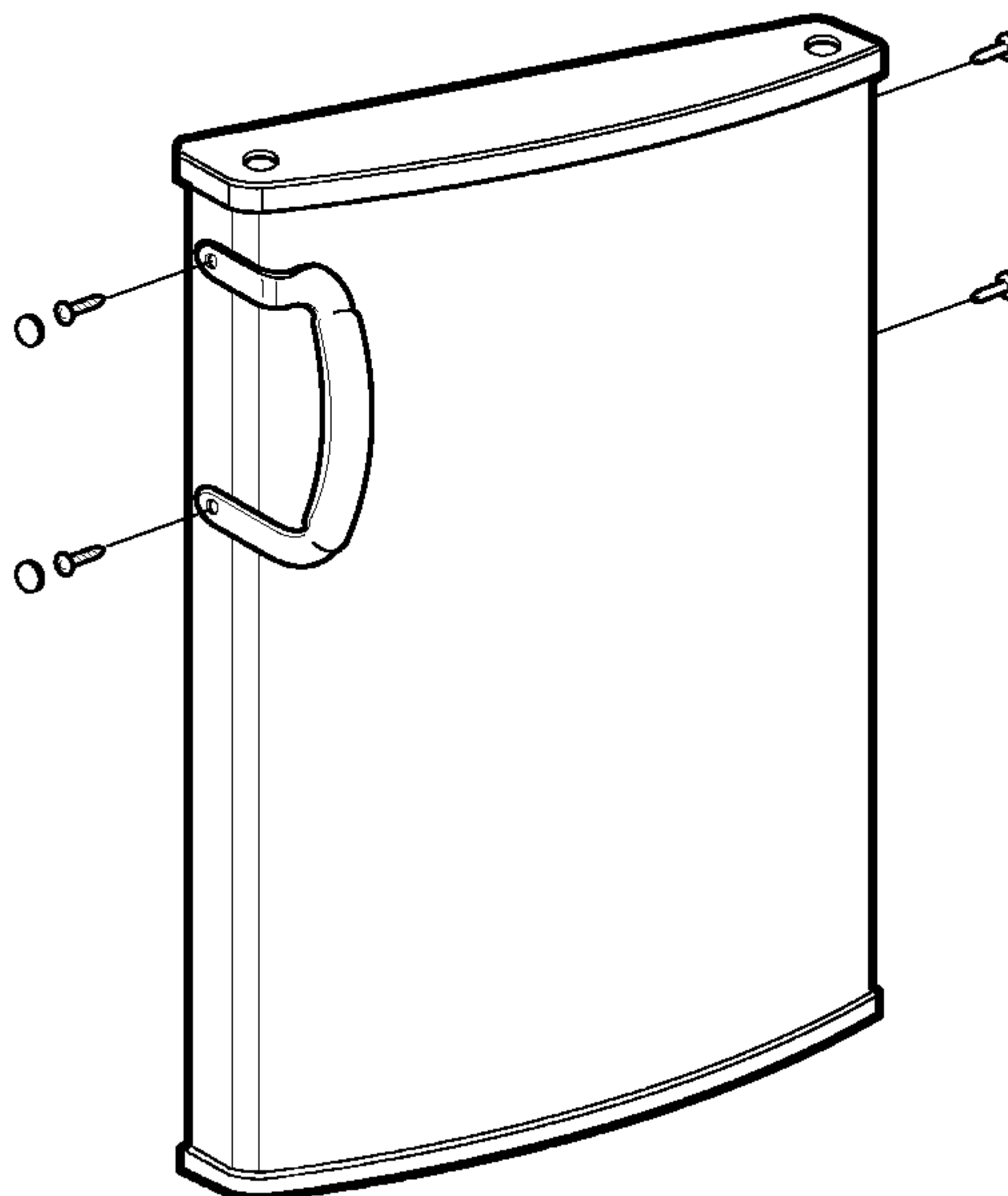
Při přemístění zavesu dveří chladničky byste také měli pro větší pohodlí vymenit zaves dveří mrazničky. Řiďte se, prosím, následujícím obrázkem a pokračujte následovně

1. Otevřete dveře EVA a pevně uchopte zaves na spodní straně dveří EVA.
2. Vytáhněte je ven dopředu ② při současném lehkém zvedání ①.
3. Otočte EVA dveře o 180 stupňů a vložte EVA dveře na opačnou stranu, nejprve horní otvor, pak spodní boční otvor.
4. Zkontrolujte, že dveře EVA jsou řádně instalovány.

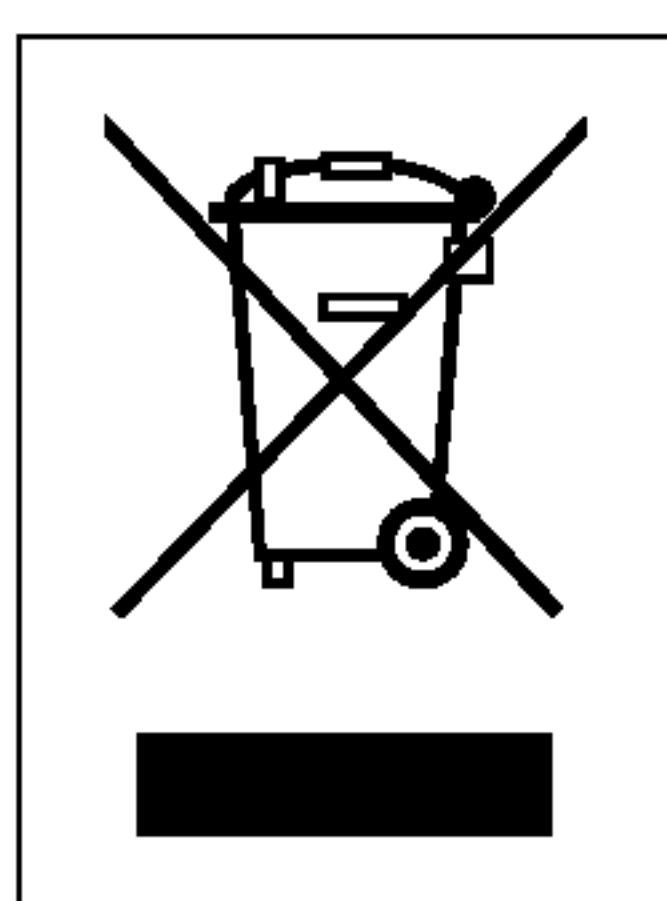




## Madlo dveří (volitelné)



## Likvidace starých spotřebičů



1. Pokud je u výrobku uveden symbol pojízdného kontejneru v přeškrtnutém poli, znamená to, že na výrobek se vztahuje směrnice Evropské unie číslo 2002/96/EC.
2. Všechny elektrické a elektronické výrobky by měly být likvidovány odděleně od běžného komunálního odpadu prostřednictvím sběrných zařízení zřízených za tímto účelem vládou nebo místní samosprávou.
3. Správný způsob likvidace starého elektrického spotřebiče pomáhá zamezit možným negativním dopadům na životní prostředí a zdraví.
4. Bližší informace o likvidaci starého spotřebiče získáte u místní samosprávy, ve sběrném zařízení nebo v obchodě, ve kterém jste výrobek zakoupili.



# **Chladnička s mrazničkou**

**Rady pre používateľ'a  
GC-181SA**

Pred použitím tohto zariadenia si pozorne prečítajte tento návod a uschovajte si ho kvôli neskoršiemu použitiu.

## Obsah

<b>Úvod</b>	Dolezite bezpecnostne predpisy	4
	Nazvy castí	6
<b>Inštalácia</b>	Umiestnenie	7
	Instalacia s vrchnou doskou / bez vrchnej dosky	7
	Nastavenie vyrovnacích skrutiek	8
<b>Obsluha</b>	Spustenie	9
	Regulacia teploty	9
	Rozmrazovanie	10
<b>Pokyny na uskladnenie potravín</b>	Uskladnenie potravín	11
	Oddelenie mraznicky	11
	Oddelenie chladnicky	11
<b>Starostlivosť a čistenie</b>	Vseobecne informacie	12
	Vymena ziarovky	13
	Cistenie	13
<b>Riešenie problémov</b>	Riesenie problemov	14
<b>Obrátenie dverí</b>	Ako obrátiť dvere	16
	Ako obrátiť vyklapacie dvere	17
	Rucka dverí (Vol'by)	18



## Bezpečnostné opatrenia

### Dôležité bezpečnostné predpisy

Pred použitím musíte túto chladnicu s mraznicou správne nainštalovať a umiestniť v súlade s Navodom na inštaláciu.

**Chladnicu s mraznicou nikdy nevypínajte tak, že budete ťahať za napájací kábel.** Zastrčku pevne chyťte a rovno vytiahnite z elektrickej zásuvky.

**Ak zariadenie prenášate ďalej od steny, dávajte pozor, aby ste ho neprevrátili, alebo aby ste nepoškodili napájací kábel.**

**Keď je vaša chladnička s mraznicou v činnosti, nedotýkajte sa chladných povrchov v oddelení mrazničky, obzvlášť ak máte vlhké alebo mokré ruky.** K týmto mimoriadne chladným povrchom by sa koža mohla prilepiť.

Pred čistením chladničky s mraznicou vytiahnite zastrčku zo zásuvky.

Napájací kábel nikdy neposkodzujte, viackrát nezohynajte, nevyťahujte, ani neprekrúcajte. Poškodenie kábla môže spôsobiť požiar, alebo zasiahnutie elektrickým prúdom. Do mrazničky nikdy nevkladajte sklenené výrobky, pretože by sa po zamrznutí ich vnútorného obsahu mohli rozbiť.

## Nepoužívajte predlžovací kábel

Ak je to možné, pripojte chladnicu s mraznicou k vlastnému elektrickému výstupu, aby ste zabránili preťaženiu tohto a ostatných zariadení.

## Dostupnosť prívodnej zástrčky

Prívodná zastrčka chladničky s mraznicou by mala byť umiestnená na ľahko dostupnom mieste, kvôli rýchlemu odpojeniu v prípade núdzového stavu.

## Výmena prívodného kábla

Pokiaľ je napájací kábel poškodený, musí byť vymenený výrobcom, alebo jeho servisným agentom, alebo podobne kvalifikovanou osobou, aby ste sa vyhli nebezpečenstvu.

## Dôležité bezpečnostné predpisy

### ⚠ Nebezpečenstvo

Nebezpečenstvo zachytenia detí.

Predtým ako vyhodíte starú chladničku alebo mrazničku:  
Odstráňte dvere.

Policky nechajte na mieste, aby sa deti nemohli dostať dovnútra.

### Neuskladňujte

V blízkosti tohto, ani iného zariadenia neuskladňujte ani nepoužívajte benzín alebo ine horľave výpary a tekutiny.

### Uzemnenie

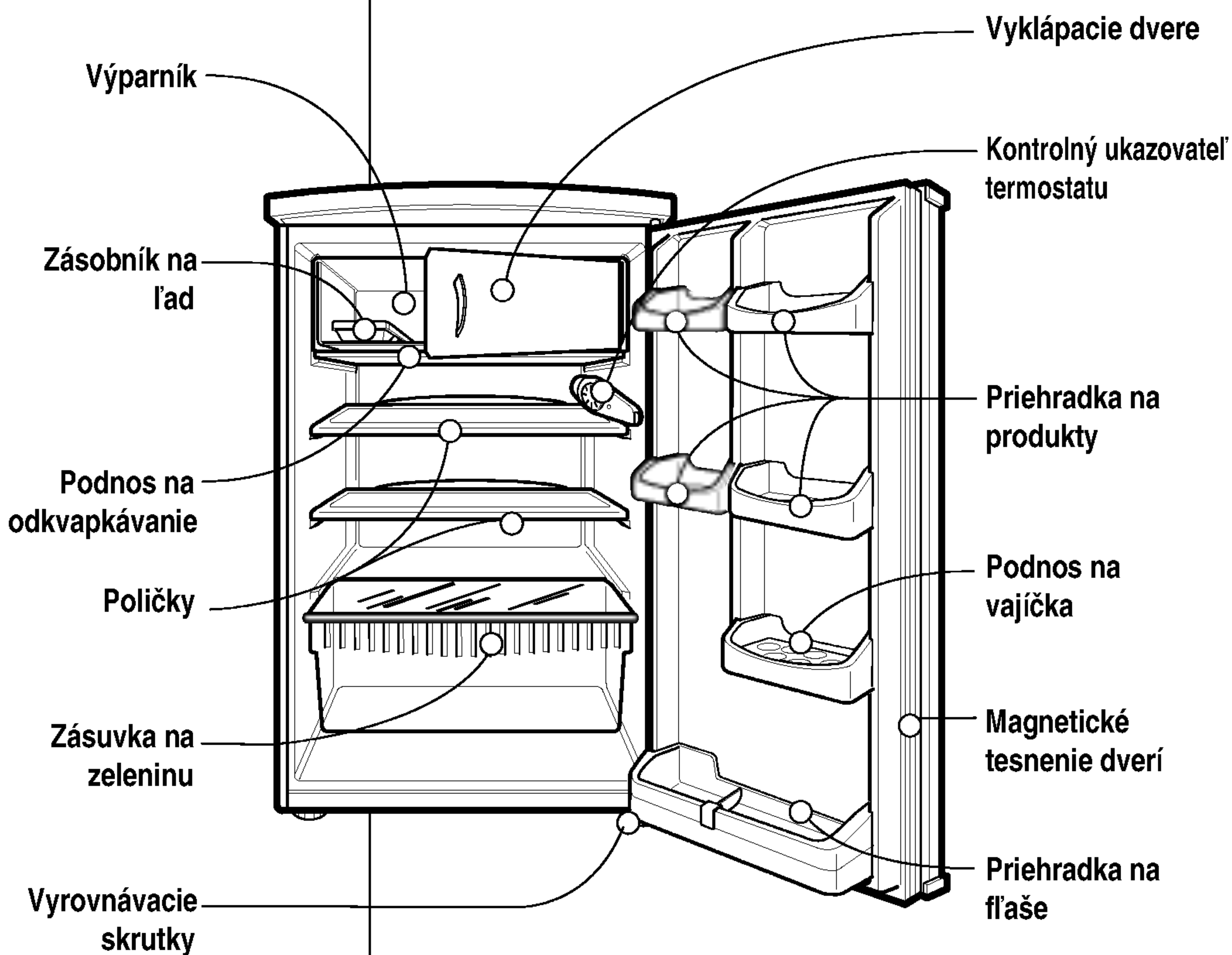
V prípade skratu znižuje uzemnenie nebezpečenstvo poranenia elektrickým prúdom, pretože elektrickému prúdu poskytne unikový vodič. Aby ste zabránili možnému poraneniu elektrickým prúdom, musí byť toto zariadenie uzemnené. Nesprávne použitie uzemňovacieho vodiča môže znamenať nebezpečenstvo zasiahnutia elektrickým prúdom.

Ak máte pochybnosti o dokladnosti uzemnenia zariadenia, alebo ak úplne nerozumiete návodu na uzemnenie, kontaktujte kvalifikovaného elektrikára alebo servisného pracovníka.

### ⚠ Upozornenie

- ⚠ Ventilácie otvory na plásti-zariadenia alebo v zabudovanej konštrukcii udržiavajte tak, aby neboli blokovane.
- ⚠ Na urýchlenie procesu rozmrazovania nepoužívajte mechanické zariadenia ani ine prostriedky ako tie, ktoré sú odporúčané výrobcom.
- ⚠ Nepoškodzajte chladiaci obvod.
- ⚠ Vo vnútri oddelenia na uskladnenie potravín nepoužívajte elektrické zariadenia iného typu, než sú odporúčané výrobcom.
- ⚠ Vhnaný chladiaci a izolčný plyn použitý v zariadení vyžaduje špeciálny postup pri likvidácii. Likvidáciu konzultujte so servisným pracovníkom alebo s podobnou kvalifikovanou osobou.

## Názvy častí



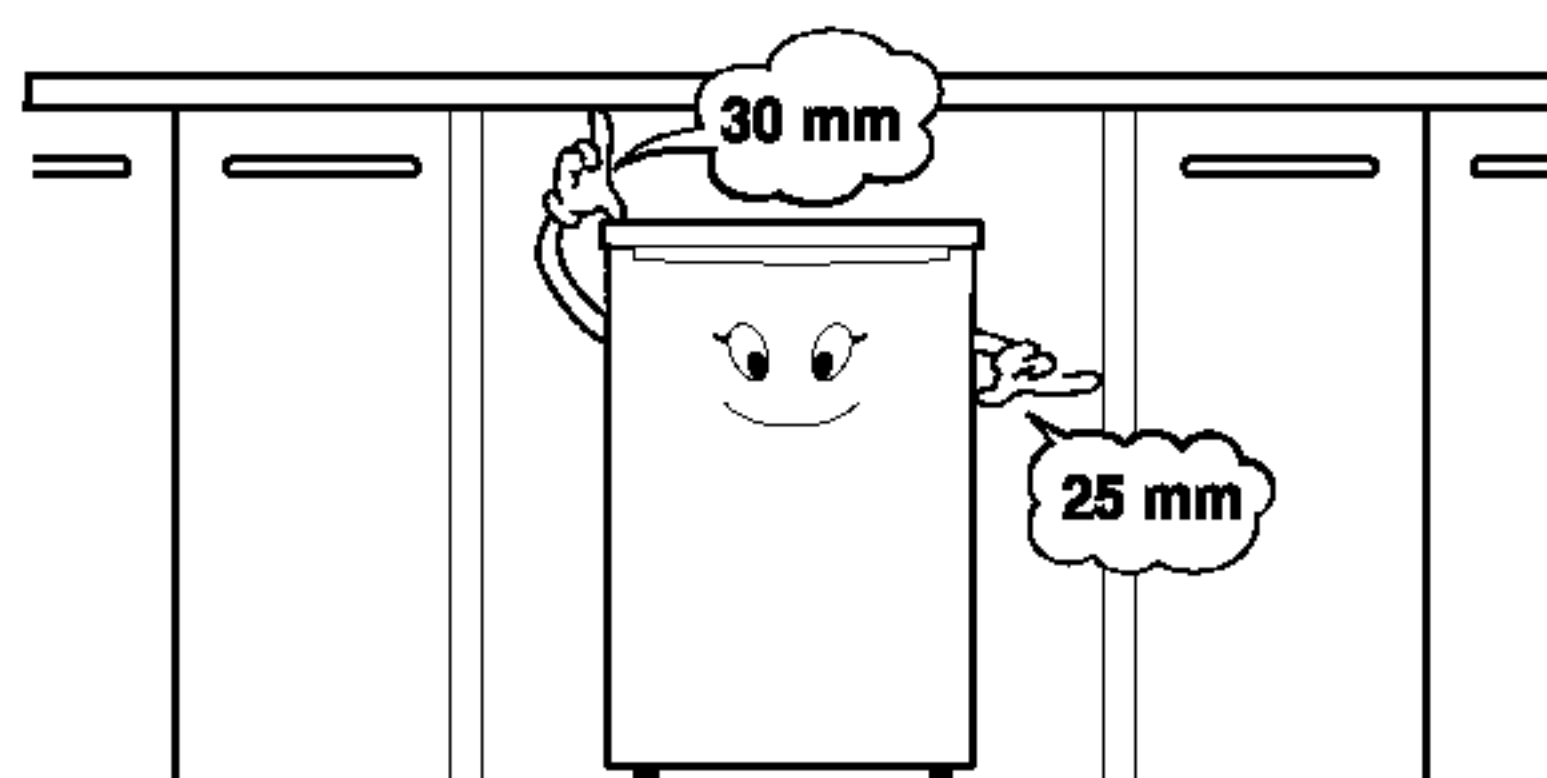


## Upozornenie

## Umiestnenie

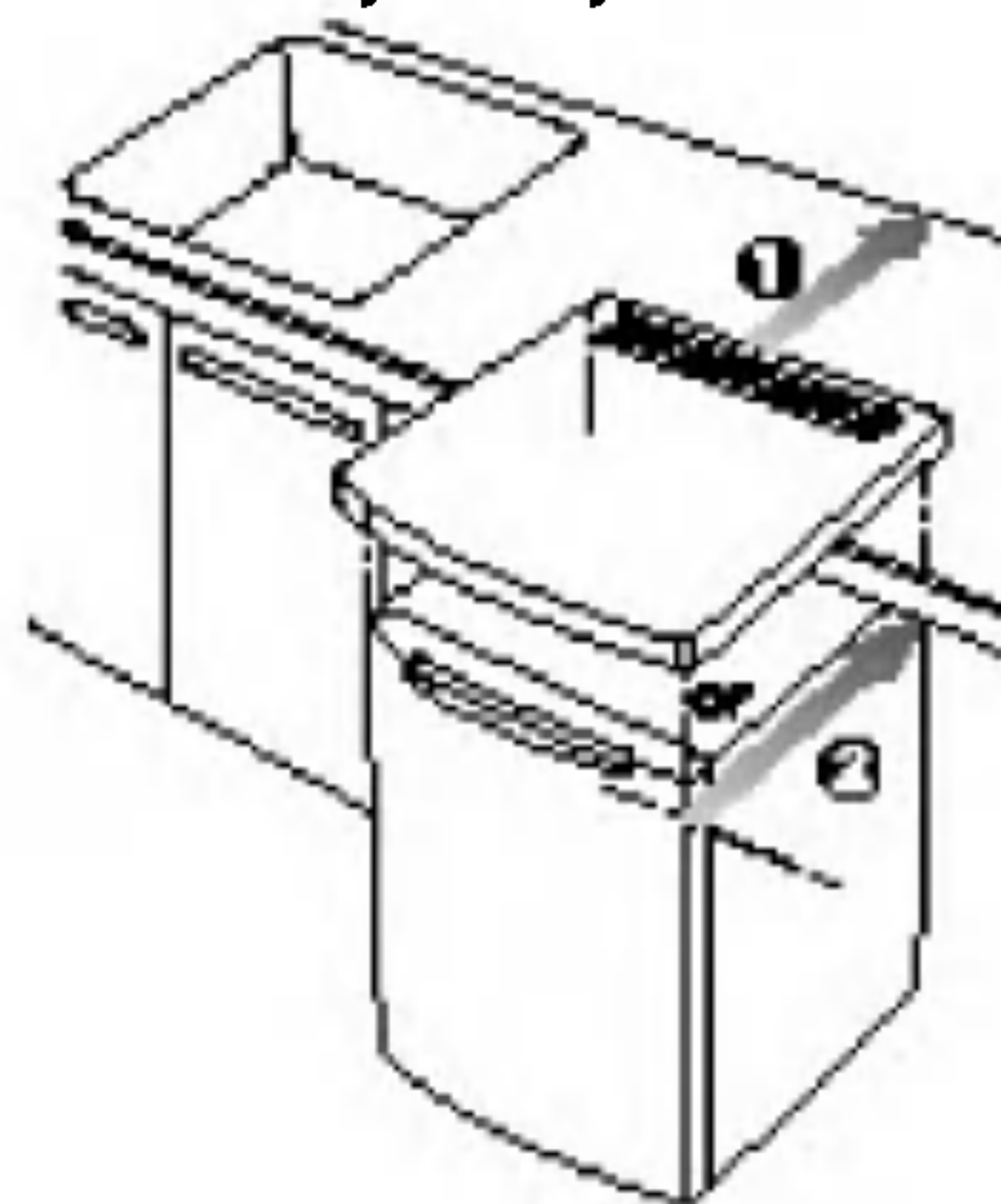
Snazte nepoužívať zariadenie dlhší čas na mieste, kde teploty klesajú pod 16°C alebo vystupujú nad 32°C.

- Chladničku neumiestňujte do blízkosti tepelných zdrojov, na priame slnko alebo na vlhke miesta.
- Nevyhnutnosťou pre efektívnu činnosť vašej chladničky je dostatočná cirkulácia vzduchu.
- Ak je vaša chladnička umiestnená na mieste, ktoré je zapustené do steny, nechajte minimálne 30 alebo viac mm voľného priestoru nad chladničkou a 25 alebo viac mm od steny.
- Ak je na dlažke koberec, mali by ste chladničku zdvihnúť 25 mm nad dlažku.



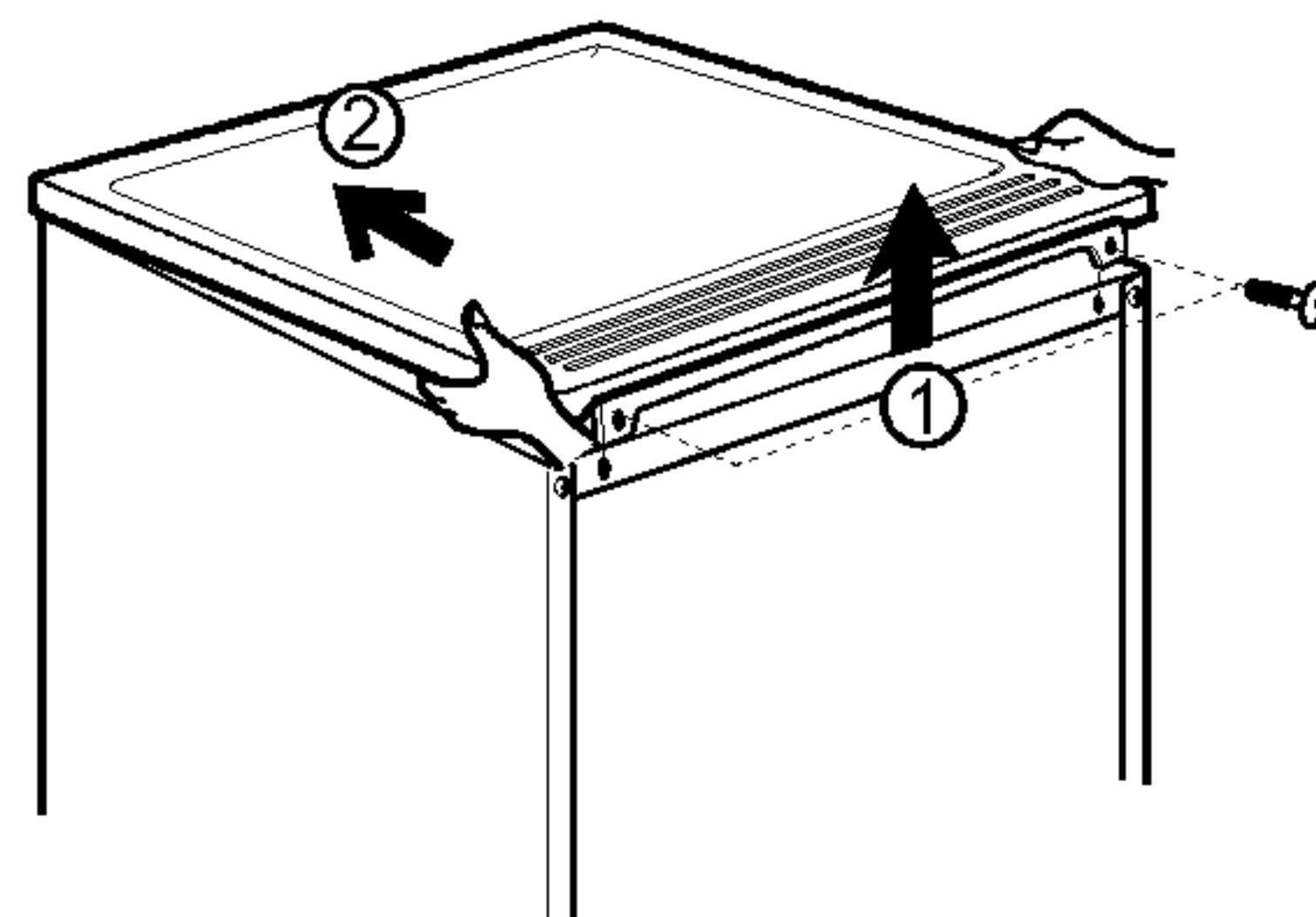
## Inštalácia s vrchnou doskou / bez vrchnej dosky

1. Pri instalácii s vrchnou doskou (samostatná) tlačte chladničku, až kým sa otvor vrchnej dosky na cirkuláciu vzduchu takmer nedotýka steny.
2. Pri instalácii bez vrchnej dosky zrovnajte predný kraj s predným krajom kuchynského nabytku.



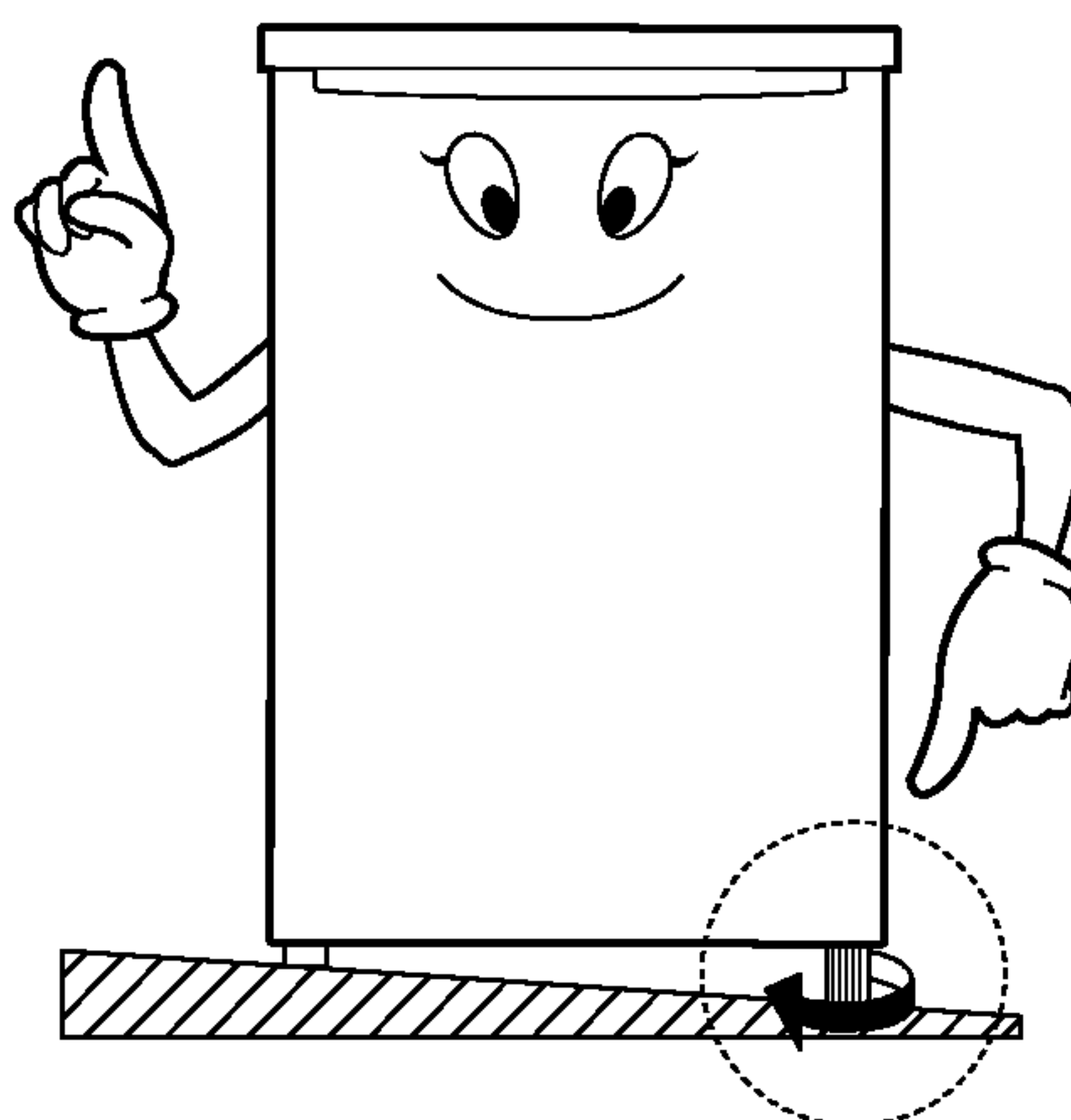
## Ako odstrániť vrchnú dosku

1. Odskrutkujte 2 skrutky na zadnej strane vrchnej dosky.
2. Uchopte zadnú stranu vrchnej dosky a jemným nadvihnutím ju posuňte dopredu.



## Nastavenie vyrovnávacích skrutiek

- Aby ste sa vyhli vibráciám chladničky, musíte ju umiestniť na vyrovnaný povrch.
- Ak je to potrebné, nastavte vyrovnávacie skrutky, aby ste vyrovnali nerovnomernosť dlažky. Predná strana môže byť trochu vyššia ako zadná, aby ste mohli dvere ľahšie zatvárať.
- Vyrovnávacie skrutky môžete nastaviť miernym naklonením chladničky
- Otácaním vyrovnávacích skrutiek v smere hodinových rucíc chladničku zdvihnete.



### Ďalej

- Chladničku dôkladne umyte a vytrite všetok prach, ktorý sa nashromažďoval pri preprave.
- Príslušenstvo, ako napríklad zásobník na ľad, poličky, atď. poukladajte na správne miesto. Toto príslušenstvo je zbalené dokopy, aby počas prepravy nedošlo k žiadnemu poškodeniu.
- Napájací kábel pripojte k elektrickému výstupu AC. K rovnakému výstupu nepripájajte ďalšie zariadenia.
- Pred použitím nechajte vašu chladničku pracovať 2 alebo 3 hodiny naprázdno. Skontrolujte, či je prúdenie studeného vzduchu vo výparníku správne.

## Spustenie

Pri prvom spustení, pred naplnením cerstvym jedlom, nechajte ísť chladničku naprázdno minimalne 2 az 3 hodiny, aby sa ustalila na normalnej teplote.

Ak je cinnosť prerusena, počkajte 5 minút pred opatovnym spustením.

## Regulácia teploty

POZNÁMKA

Podnos na odkvapkavanie namontujte presne, aby sa dotýkal vnútornej steny.

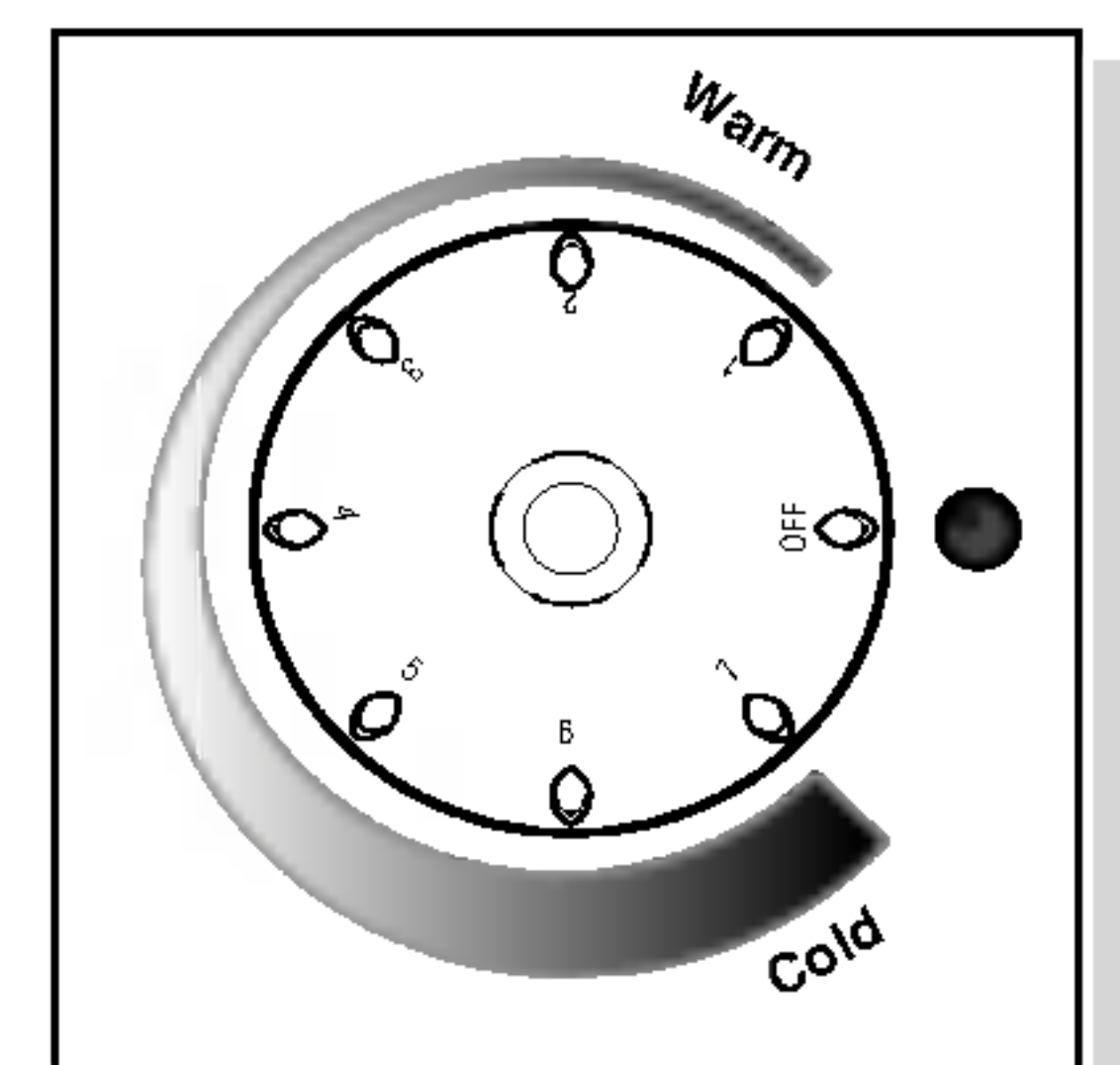
REGULÁTOR MRAZNICKY reguluje teplotu v mraznicke a je zobrazeny ako OFF, 1, 2,.....7.

Zmrazovací výkon mrazničky je pri nastavení 4 a vyššom 2-HVIEZDIČKOVÝ a jedlo moze byť uskladnene az do 1 mesiaca.

Oddelenie chladničky je schladzovane studenym vzduchom z oddelenia mrazničky.

### Príliš teplo

Otocením REGULÁTORA TEPLoty v smere hodinovych ruciek nastavíte chladnejšie nastavenie (vyššie číselne nastavenie).



### Príliš chladno

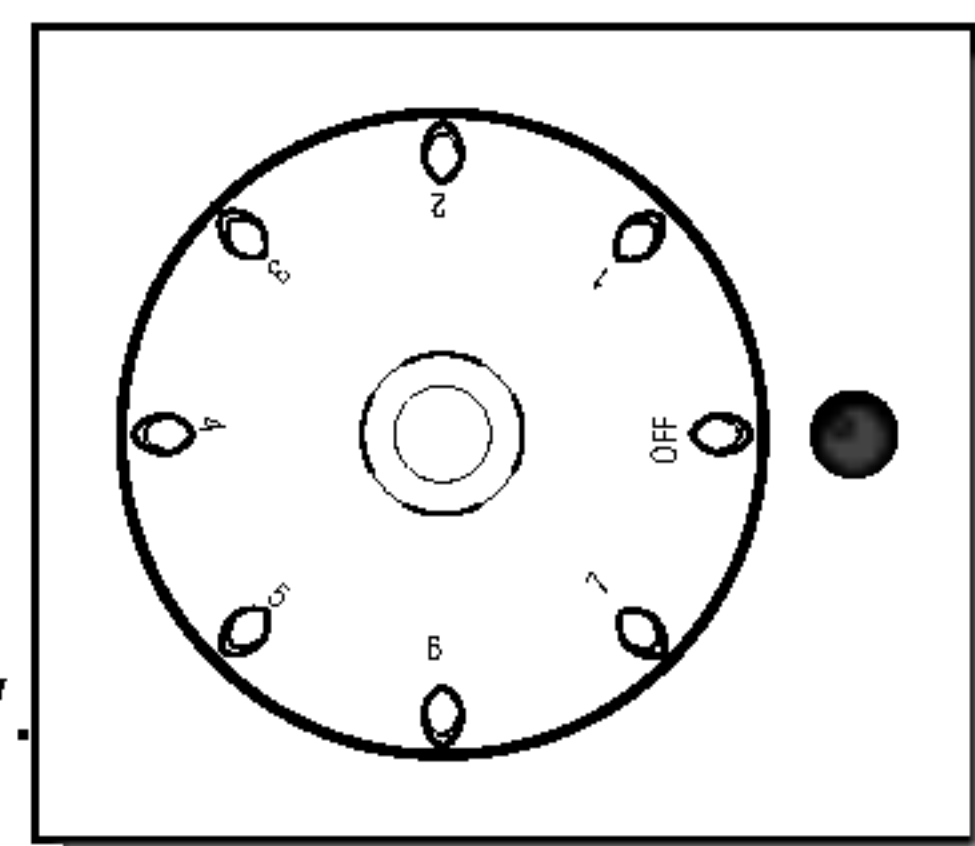
Otocením REGULÁTORA TEPLoty proti smeru hodinovych ruciek nastavíte teplejšie nastavenie (nižšie číselne nastavenie).

**Nastavenie REGULÁTORA TEPLoty závisí od umiestnenia chladničky, izbovej teploty a od toho, ako často otvárate dvere chladničky.**



## Rozmrazovanie

- Kvôli efektívnej činnosti je potrebné, aby ste chladničku pravidelne rozmrazovali. Vrstva ľadu na povrchu vyparníka by pred rozmrazovaním nemala presiahnuť 6 mm.
- **Ak si želáte rozmrazovať, otočte regulátor na „OFF“.**
- Pred začatkom operácie odmrazovania vyjmete potraviny z vyparníka a zabalte je do papíru alebo látky, pak je uložte na chladné miesto alebo do inej chladničky. Umístete odkapačaciu misku do správnej polohy. Podnos na odkvapkanie umiestnite na správne miesto.
- Ak do mrazničky vložíte fľašu s teplou vodou, proces rozmrazovania sa skráti.
- Keď je rozmrazovanie dokončené, vyberte podnos na odkvapkanie, vylejte vodu, vysušte a vraťte späť na miesto. Nastavte ovládací kotouč na požadovanú teplotu. Kontrolný ukazovateľ nastavte na požadovanú teplotu.



### VAROVANIE

Na odstránenie ľadu, námrazy, alebo zásobníka na ľad z vyparníka nikdy nepoužívajte ostre alebo kovové predmety.

## Uskladnenie jedla

- Zmrazovanie a rozmrazovanie jedla je dolezity faktor pri udrziavaní .cerstvosti a chuti.
- Neuskladňujte potraviny, ktore sa pri nízkych ľahko teplotach pokazia, ako su napríklad banany, ananas a melony.
- Pred uložením nechajte potraviny vychladnúť. Ak do chladnicky uložíte prílis horuce jedlo, moze vam pokaziť ostatnepotraviny a taktiez sa vam zvsia platby za elektricku energiu.
- Dvere neotvarajte prílis .casto. Pri kazdom otvorení dverí vnikne do chladnicky teply vzduch a zvsia teplotu.

## Oddelenie mrazničky

- Do oddelenia mraznicky neodkladajte flase – pri zmrazení by mohli prasknúť.
- Potraviny, ktore boli uplne rozmrazene, uz nezmrazujte. Stratili by chuť a vyzivnu hodnotu.

## Oddelenie chladničky

- Pri uskladňovaní zabaľte potraviny do folie, alebo ich vložte do zakrytej nádoby. Zabranite tým vlhkosti z vyparovania audrzíte jedlo chutne a vyzivne.
- Jedlo pred vložením do chladnicky vzdy umyte. Zeleninu a ovocie umyte a ususte. Potraviny by mali byť zabalene .cisto, aby sa susedne jedlo nepokazilo.
- Potraviny s aromou (ryby, syr, maslo, atď.) zabaľte pevne, alebo ich ulozte do uzatvorených nádob.

### POZNÁMKA

Ak do PRIEHRADKY NA PRODUKTY vložíte veľku flasu a na otvaranie / zatvaranie dverí je pouzita nadmerna sila, moze flasa spadnúť, preto budte opatrní.

## Všeobecné informácie

### Cesta preč

Ak planujete odísť na dlhší čas, vyberte všetky potraviny, odpojte napájací kábel, dôkladne umyte vnútrajsok a nechajte otvorene dvere, aby ste predišli vzniku arómy.

### Výpadok prúdu

Väčšina výpadkov prúdu je opravená do hodiny, dvoch a nemajú vplyv na teplotu vašej chladničky. V každom prípade však počas vypnutého prúdu obmedzte otváranie dverí na minimum. Ak je výpadok prúdu dlhší, položte na vase zamrznuté balíčky kus suchého ľadu.

### Ak sa sťahujete

Z chladničky vyberte všetky časti, alebo všetky pohyblivé časti pevne pripevnite.

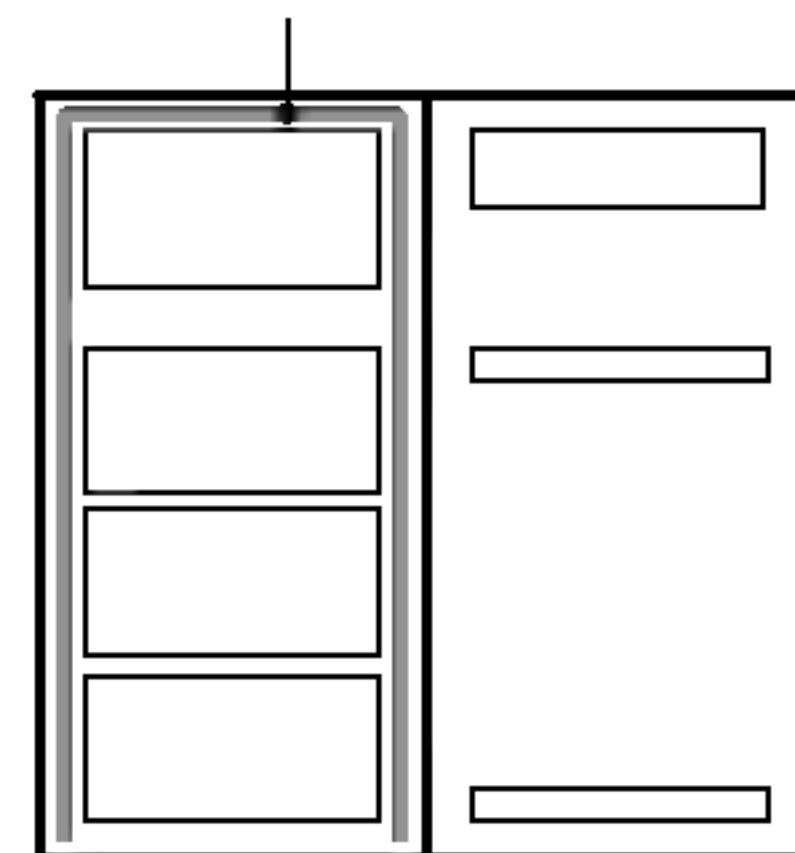
Aby ste neznicili vyrovnávacie skrutky, pritiahnite ich cele k základni.

### Trubica proti zrážaniu

- Trubica proti zrážaniu je namontovaná okolo prednej strany chladničky, aby zabránila roseniu.

- Obzvlášť po montáži, alebo ak je okolitá teplota vysoká, sa vám môže chladnička s mrazničkou zdať studená. Je to normálne.

### Trubica proti zrážaniu



**▲ Upozornenie****Výmena žiarovky**

Napájací kábel odpojte od elektrickej zásuvky.

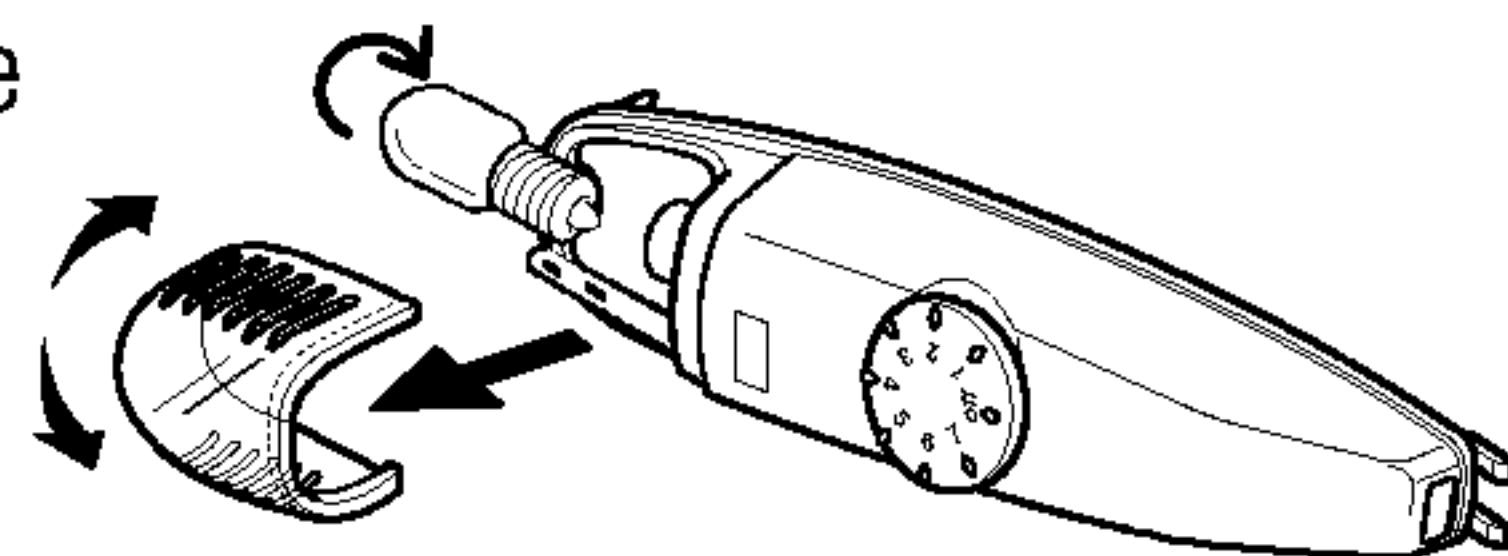
1. Kvôli ľahšiemu prístupu vyberte **PODNOS NA ODKVAPKÁVANIE** a policky.

2. Chyťte **KRYT ŽIAROVKY**.

Otáčajte ho hore a dolu a jemne ho vyberte z krytu termostatu.

3. Žiarovku otáčajte proti smeru hodinových ručičiek a vyberte ju.

4. Pre pripevnenie postupujte rovnakým spôsobom, ale v opačnom poradí. Vymienana žiarovka musí mať také isté technické údaje ako originalna.

**Čistenie**

- Aby ste predišli nežiadúcim aromam, je dôležité, aby ste vasu chladničku udržiavali čistú. Pokazené potraviny by ste mali ihneď vyhodiť, pretože by mohli okysliť a zafarbiť plastové povrchy.
- Na žiadny z povrchov nikdy nepoužívajte kovové čistiace prostriedky, kefy, hrubé abrazívne čistiace, alebo silne alkalické roztoky.
- Pred čistením si zapamätajte, že vlhke predmety sa na veľmi chladné povrchy prilepia alebo prilnú. Zamrznutých povrchov sa nedotykajte vlhkými alebo mokrymi rukami.

**Vonkajší povrch**

Na vycistenie trvacieho povrchu použite vlažný roztok jemného mydla alebo čistiaceho prostriedku. Vycistite čistou, vlhkou látkou a potom vysušte.

**Vnútrajšok**

Odporúčame vám pravidelne čistenie vnútorných aj vonkajších častí. Napájací kábel odpojte a vyberte potraviny, policky, podnosy, atď. Všetky priehradky, policky, podnosy, atď. umyte v roztoku so sodou bikarbonou. Oplachnite a osušte.



**Predtým, ako zavoláte servisnú službu, skontrolujte tento zoznam.**

**Ušetríte si tým čas aj peniaze.**

**Tento zoznam obsahuje udalosti, ktoré nie sú výsledkom chybnnej výroby alebo materiálu tohto zariadenia.**

## Problém

## Možné príčiny

**Chladnička smrazničkou nefunguje**

- Elektrická šnúra môže byť odpojená zo zdroja elektrickej energie.  
Pevne ju zapojte.
- Poistka je vybitá, alebo vypnutá.  
Skontrolujte a/alebo vymeňte poistku a aktivujte ju.
- Výpadok elektrického prúdu.  
Skontrolujte osvetlenie domácnosti.

**Vibrácie, rachot alebo neobvyklý hluk**

- Dlážka, na ktorej je chladnička položená, môže byť nerovnomerná, alebo je chladnička s mrazničkou nestabilná.  
Vyrovnajte ju pomocou vyrovnávacích skrutiek.
- V zadnej časti chladničky s mrazničkou sú položené nepotrebné predmety.

**Námraza alebo kryštáliky ľadu na zamrznutých potravinách**

- Mohli zostať pootvorené dvere, alebo ich drží balenie.
- Príliš často alebo príliš dlho otvorené dvere.
- Námraza vo vnútri obalu je normálna.

**Vo vnútri priehradky sa zbiera vlhkosť**

- Tento úkaz sa zvyčajne vyskytuje vo vlhkom priestore.  
Utrite suchou latkou.

Problém	Možné príčiny
<b>Vo vnútri sa zbiera vlhkosť</b>	<ul style="list-style-type: none"><li>• Príliš často alebo príliš dlho otvorené dvere.</li><li>• Vo vlhkom počasí vzduch prenáša vlhkosť do chladničky, keď sú otvorené dvere.</li></ul>
<b>Chladnička má arómu</b>	<ul style="list-style-type: none"><li>• Potraviny so silnou arómou by ste mali pevne zatvoriť alebo zabaliť.</li><li>• Skontrolujte pokazené jedlo.</li><li>• Vnútrašok je potrebné vyčistiť. Pozrite si časť CISTENIE.</li></ul>
<b>Nefunguje vnútorné osvetlenie</b>	<ul style="list-style-type: none"><li>• Elektrická zásuvka nie je pod prúdom.</li><li>• Musíte vymeniť žiarovku. Pozrite si časť Vymena žiarovky.</li></ul>

## Ako otočiť dvere

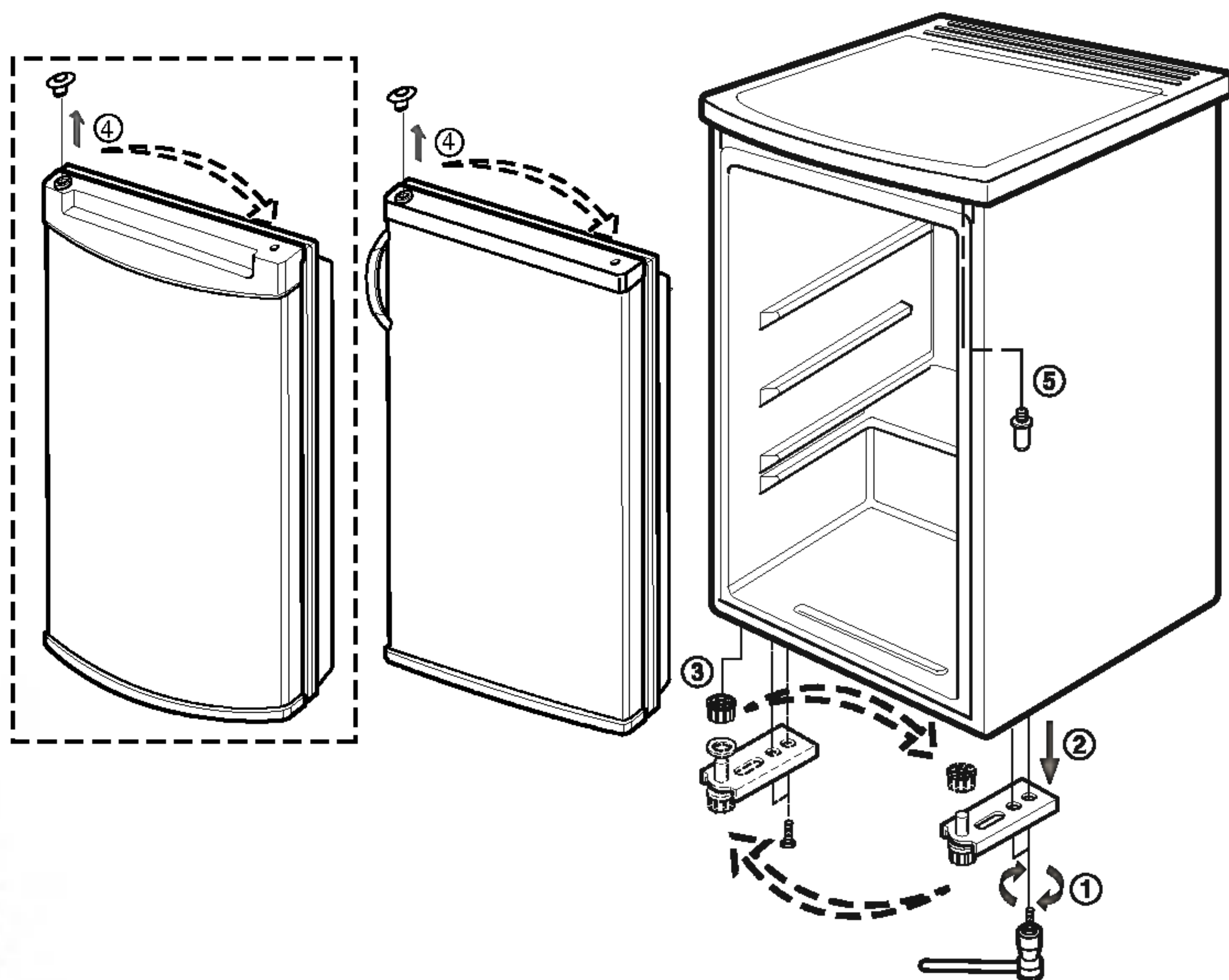
Vasa chladnica ma obojstranne dvere, takže ich môžete otvárať aj z ľavej, aj z pravej strany. Ak je to potrebné, je lepšie premiestniť pant na dverach hneď na začiatku, neskôr to môže byť nepraktické.

Ak si želite vymeniť panty na dverach, použite nižšie uvedenú schému a postupujte nasledovne.

**Bezpečnostné opatrenie**

- 1). Najprv odpojte spotrebič.
- 2). Odstráňte potraviny a doplnky ako policky a podnosy, ktoré nie sú v chladnicike fixovane.
- 3). Opatrne položte spotrebič na podložku ako napr. Baliaci material, aby ste zabránili poškodeniu okruhu s chladivom.
- 4). Použite '+' skrutkovač alebo kľuč na dotiahnutie alebo uvoľnenie skrutiek.

1. Odskrutkujte 2 skrutky ①, a vyberte panty(L) ②.
2. Odmontujte nastavec. ③
3. Jemne potiahnite dvere smerom dolu a vyberte ich.
4. Pred opatovným vložením dverí vymonte kryt pantu. Vytiahnite ho zo súčasného ④. umiestnenia a preložte na druhú stranu dverí. Pri prekladaní krytu pantu dávajte pozor, aby ste nepoškodili vedľajšie povrchy.
5. Odskrutkujte kolík horného pantu (U) ⑤ a zaskrutkujte ho do protiaľahleho otvoru.



## Ako obrátiť dvere

6. Pomocou 2 skrutiek pripevnite vyšší pant (L) na protiláhlej strane.
7. Na pante (L) vymonte nastaviteľnú nožicku. Nastavte ju približne na 20 mm.
8. Zariadenie opatrne umiestnite do zvislej polohy.  
Nastaviteľnú nožicku nastavte tak, aby sa zariadenie nekolísalo a skontrolujte, či sa dvere otvárajú a zatvárajú správne.

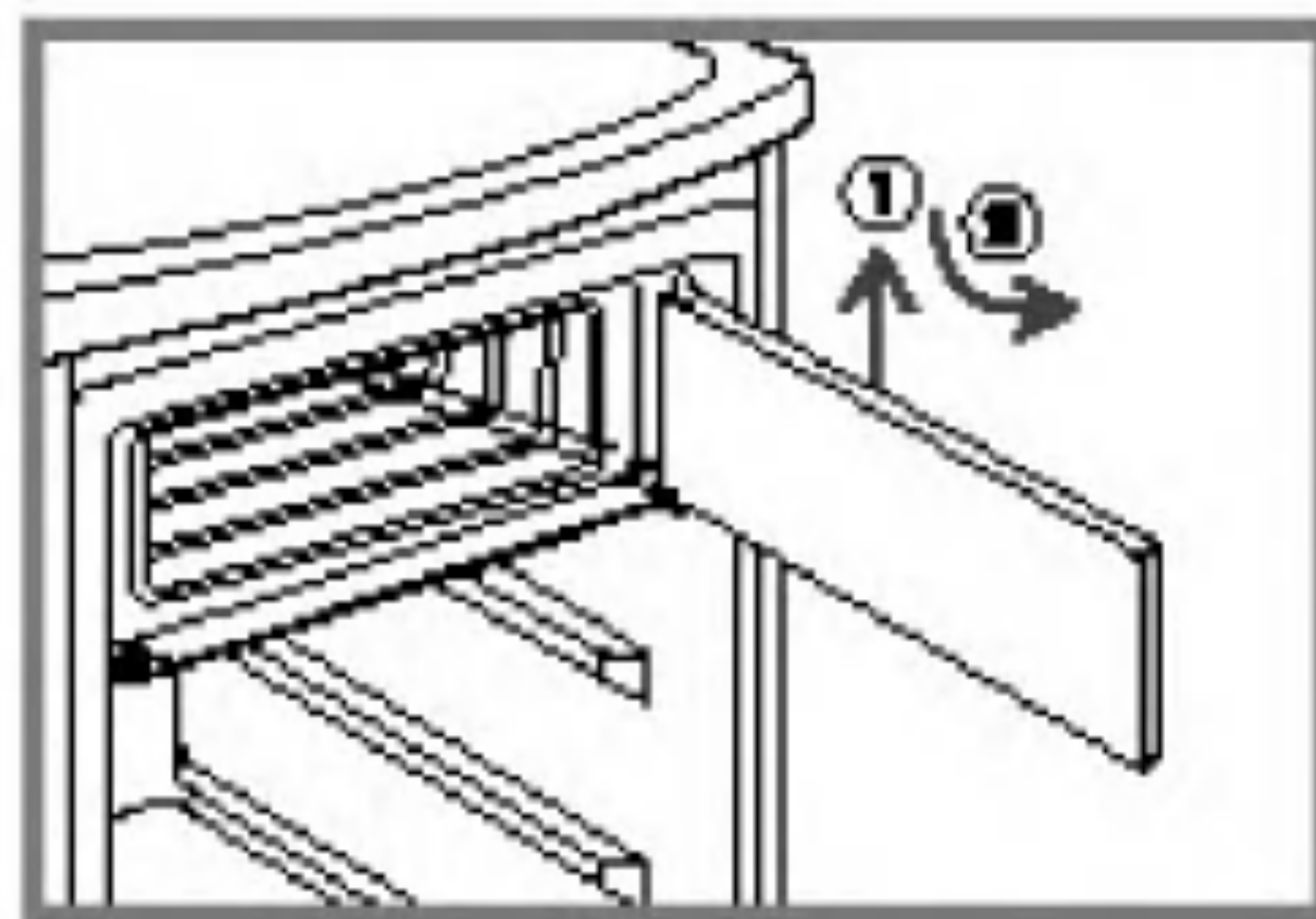
### POZNÁMKA

Ak v prípade využitia obojstranných dverí zatvárate dvere nadmernou silou, môže sa stať, že sa dvere kvôli reakčnej sile nezatvoria.  
Skontrolujte prosím, či su dvere správne zatvorene.

## Ako obrátiť vyklápacie dvere

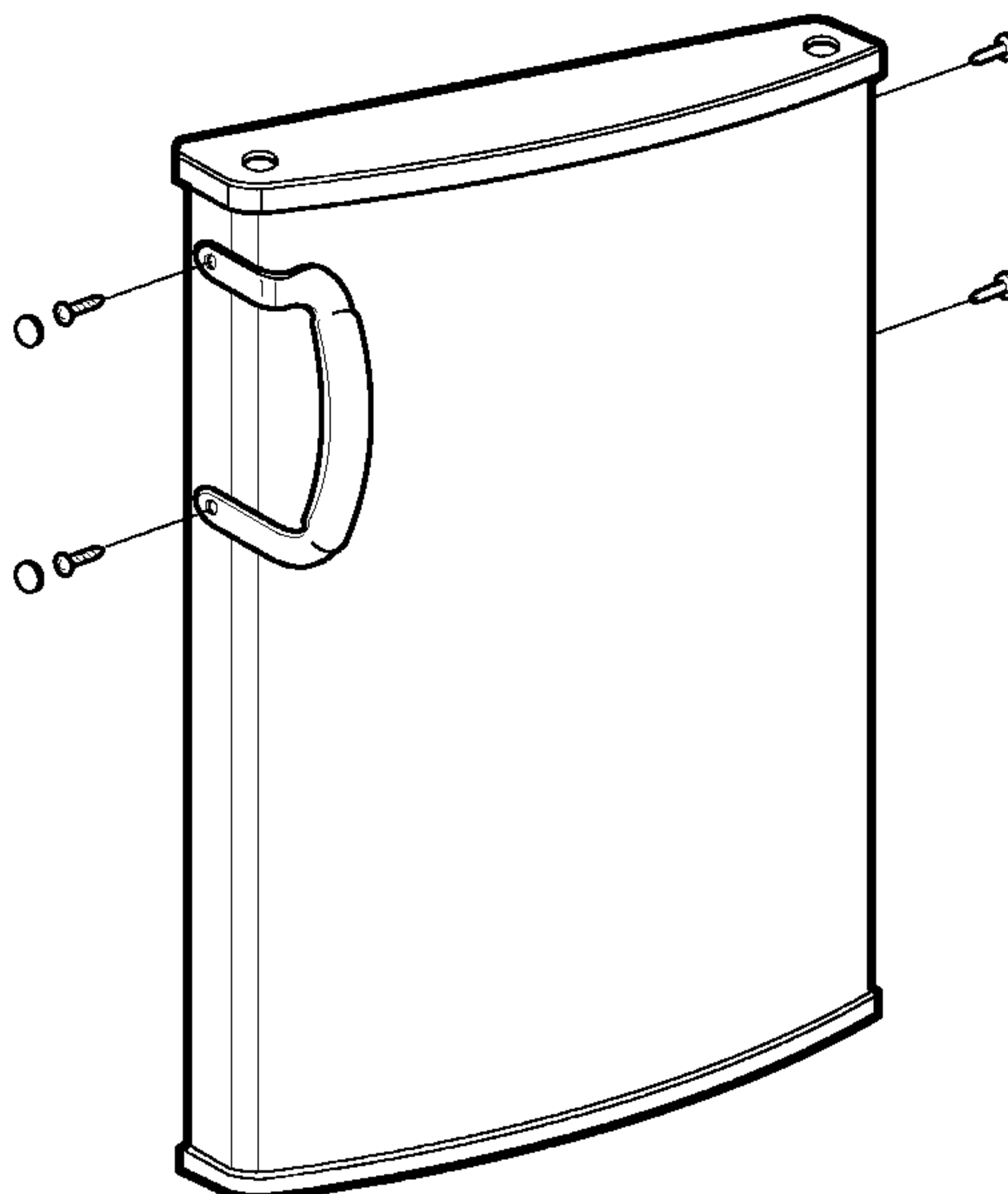
Pri posuvaní pantu dverí na chladnicke by ste kvôli pohodliu mali taktiez zmeniť aj dvere na mraznicke. Obráťte sa na schemu nizšie a postupujte nasledovne

1. Otvorte VYKLAPACIE DVERE a chyťte bocnu stranu pantu VYKLAPACÍCH DVERÍ.
2. Jemnym nadvihnutím ② ich vyberte smerom dopredu ①.
3. Otočte VYKLAPACIE DVERE o 180 stupnov a vložte ich najskôr do protiláhleho vrchného otvoru a potom do otvoru na spodnej strane.
4. Skontrolujte, či su VYKLAPACIE DVERE správne namontovane.

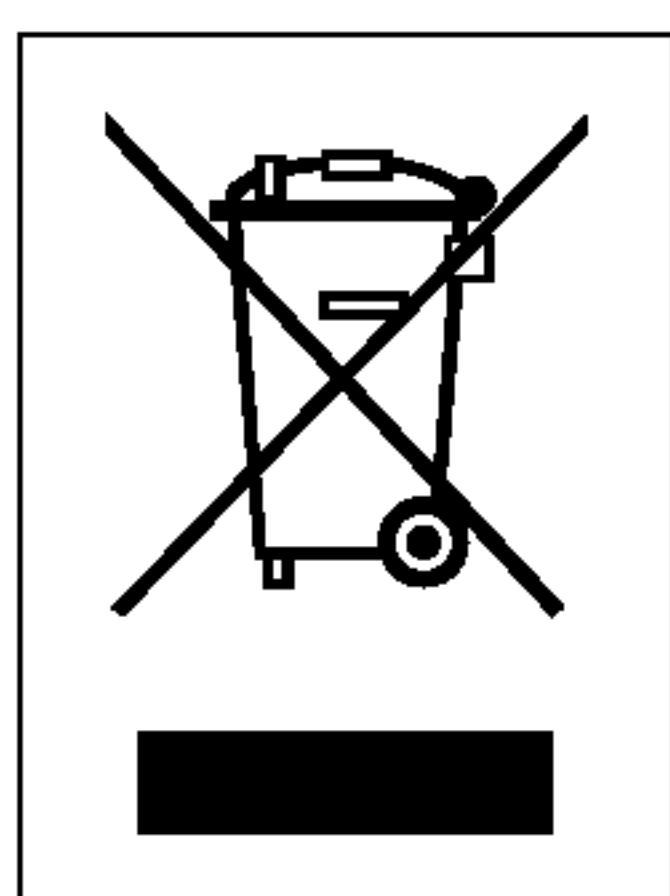




## Rúčka dverí (Volby)



### Likvidácia vášho starého prístroja



1. Keď sa na produkte nachádza tento symbol prečiarknutej smetnej nádoby s kolieskami, znamená to, že daný produkt vyhovuje európskej Smernici č. 2002/96/EC.
2. Všetky elektrické a elektronické produkty by mali byť zlikvidované oddelene od komunálneho odpadu prostredníctvom na to určených zberných zariadení, ktoré boli ustanovené vládou alebo orgánmi miestnej správy.
3. Správnou likvidáciou starých zariadení pomôžete predchádzať potenciálnym negatívnym následkom pre prostredie a ľudské zdravie.
4. Podrobnejšie informácie o likvidácii starých zariadení nájdete na miestnom úrade, v službe na likvidáciu odpadu alebo u predajcu, kde ste tento produkt zakúpili.



# **KÜHL- GEFRIERGERÄT**

## **Bedienungsanleitung**

### **GC-181SA**

Lesen Sie bitte diese Bedienungsanleitung sorgfältig durch, und heben Sie sie für spätere Fragen griffbereit auf.

# Inhaltsverzeichnis

<b>Einleitung</b>	Wichtige Sicherheitsanweisungen: _____	4
	Zuordnung von Teilen _____	6
<b>Betrieb</b>	Standort _____	7
	Erste Inbetriebnahme _____	8
	Einstellen der Temperatur _____	8
	Ausschalten _____	8
	Abtauen _____	9
<b>Vorschläge zur Aufbewahrung von Lebensmitteln</b>	Aufbewahren von Lebensmitteln _____	10
<b>Pflege und Wartung</b>	Allgemeine Informationen _____	11
	Glühbirnenaustausch _____	11
	Reinigen _____	12
<b>Fehlersuche</b>	Fehlersuche _____	13
<b>Wechsel des Türanschlags</b>	Wie man den Türanschlag wechselt _____	15
	Wie man die Öffnungsseite der Tiefkühlfachklappe ändert _____	16
	Wie man die Öffnungsseite der Tiefkühlfachklappe ändert(Option) _____	17

## Vorsichtsmassnahmen

**Kein  
Verlängerungskabel  
verwenden**

**Zugang zur  
Steckdose**

**Stromkabel-  
austausch**

## Wichtige Sicherheitsanweisungen

Dieses Kühl-Gefriergerät muss entsprechend der Montageanweisung richtig installiert und aufgestellt werden, bevor es verwendet werden darf.

Stecken Sie nie Ihr Kühl-Gefriergerät aus, indem Sie am Kabel ziehen. Nehmen Sie immer den Stecker, und ziehen Sie ihn gerade aus der Steckdose raus.

Achten Sie darauf, dass das Stromkabel nicht beschädigt wird, oder dass Sie mit dem Kühlschrankschrank darüber rollen, wenn Sie es von der Wand rücken.

Nachdem das Kühl- Gefriergerät in Betrieb ist dürfen die kalten Oberflächen im Gefrierfach nicht berührt werden, vor allem nicht mit feuchten oder nassen Händen. Die Haut könnte an diesen sehr kalten Oberflächen festkleben.

Ziehen Sie den Stecker ab, bevor Sie das Kühl- Gefriergerät reinigen.

Das Stromkabel niemals stark knicken, ziehen oder verdrehen, da eine Beschädigung des Stromkabels Feuer oder Stromschlag verursachen könnte. Niemals Glasbehälter in das Gefrierfach stellen, da sie platzen können, wenn ihr Inhalt friert.

Das Kühl-Gefriergerät, sofern möglich, an eine eigene Steckdose anschließen, um zu verhindern, dass es oder andere Haushaltsgeräte oder Leuchten eine Überlastung verursachen.

Die Steckdose des Kühl-Gefriergerätes sollte leicht zugänglich sein, damit dieses im Notfall schnell ausgesteckt werden kann.

Falls das Stromkabel beschädigt ist, muss es, um Schäden zu vermeiden, durch den Hersteller, den Kundendienst oder einen Fachmann ausgetauscht werden.



## Wichtige Sicherheitsanweisungen

### ▲ Gefahr

Gefahr des Einschließens für Kinder.  
Bevor Sie Ihren alten Kühlschrank oder Tiefkühlschrank wegwerfen:  
Die Türen abnehmen.  
Lassen Sie die Einlegeböden im Kühlschrank, damit Kinder nicht so leicht hineinklettern können.

### Erdung

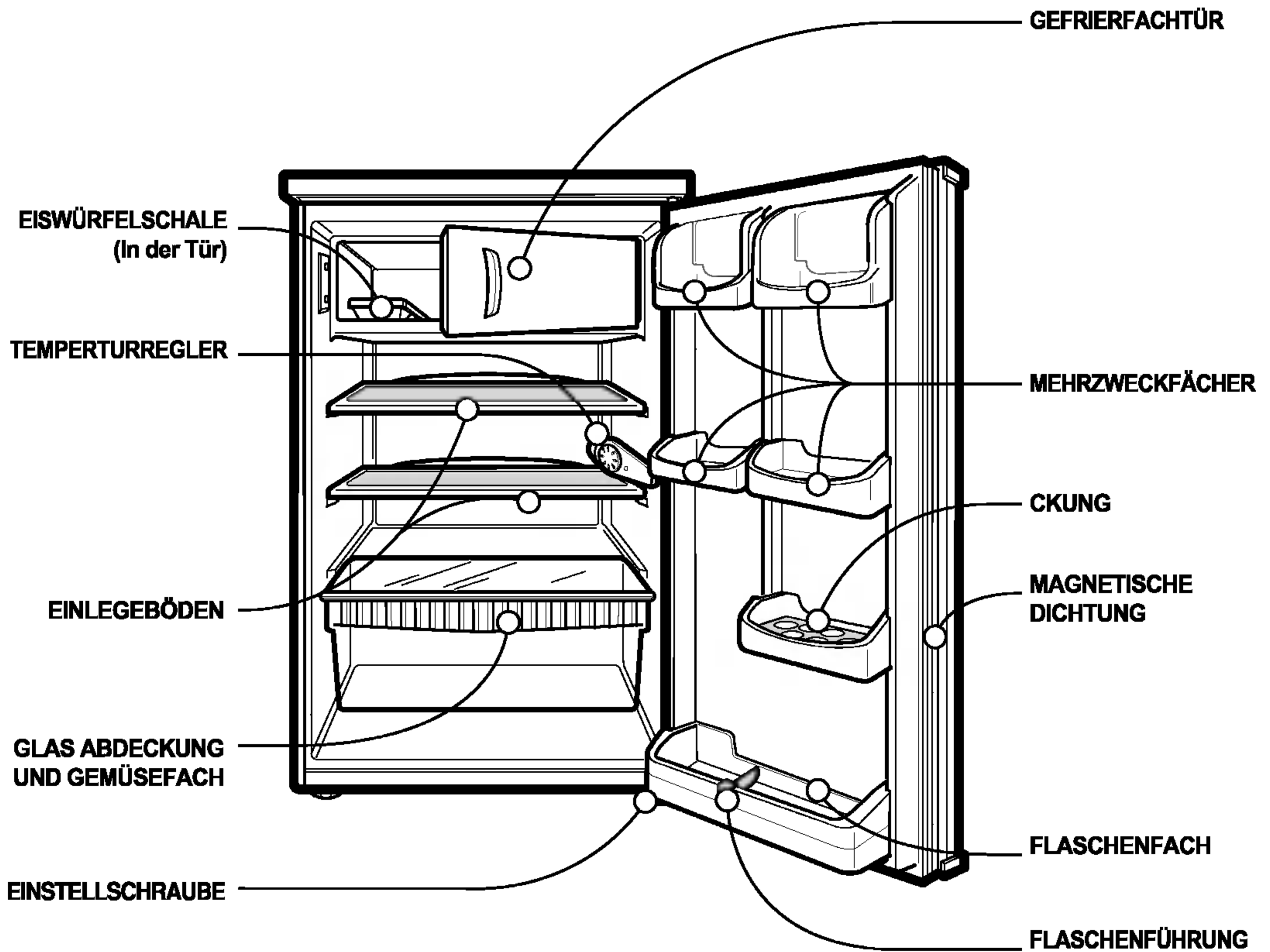
Bei einem Kurzschluss verringert die Erdung die Gefahr eines Stromschlags, indem dem Strom eine Ableitungsmöglichkeit gegeben wird. Um mögliche Stromschläge zu vermeiden muss dieses Gerät geerdet sein. Falsche Verwendung des Erdungssteckers kann zu Stromschlägen führen.

Setzen Sie sich mit einem zugelassenen Elektriker oder dem Kundendienstfachmann in Verbindung, falls die Anweisungen zur Erdung nicht vollkommen verstanden wurden, oder falls Sie Zweifel haben, ob das Gerät richtig geerdet ist.

### ▲ Achtung

- ▲ Halten Sie die Lüftungsöffnungen des Gehäuses oder des Einbauschranks frei.
- ▲ Verwenden Sie keine Werkzeuge oder andere Hilfsmittel außer der vom Hersteller empfohlenen, um den Abtauprozess zu beschleunigen.
- ▲ Beschädigen Sie nicht den Kühlkreislauf.
- ▲ Verwenden Sie keine elektrischen Geräte innerhalb der Kühlfächer, außer sie wurden hierfür vom Hersteller vorgesehen.
- ▲ Das im Gerät verwendete Kältemittel und das Isolierungsblähgas erfordern besondere Entsorgungsmaßnahmen. Setzen Sie sich für die Entsorgung mit dem Kundendienst oder ähnlich qualifizierten Personen in Verbindung.

## Zuordnung von Teilen



## Standort

Dieses Gerät ist für eine Umgebungstemperatur von +16°C bis +32°C geeignet. Falls die Umgebungstemperatur unter +16°C fällt kann es sein, dass das Gefriergut auftaut, weil die Temperatur des Gefrierfaches ansteigt.

Wir empfehlen, dass der Kühlschrank an einem trockenen und gut gelüftetem Platz aufgestellt wird. Stellen Sie sicher, dass das Gerät keinem direkten Sonnenlicht ausgesetzt wird, und nicht in der Nähe von Wärmequellen wie Öfen oder Heizkörpern aufgestellt wird. Falls dies nicht möglich ist, muss eine geeignete Platte (kein Asbest) verwendet werden, oder zumindest der folgenden Minimalabstände eingehalten werden:

- von einem Gas- oder Elektroherd: 3 cm
- von Öl oder Kohle betriebenen Öfen: 30cm
- von einem anderen Kühlgerät: 2 cm

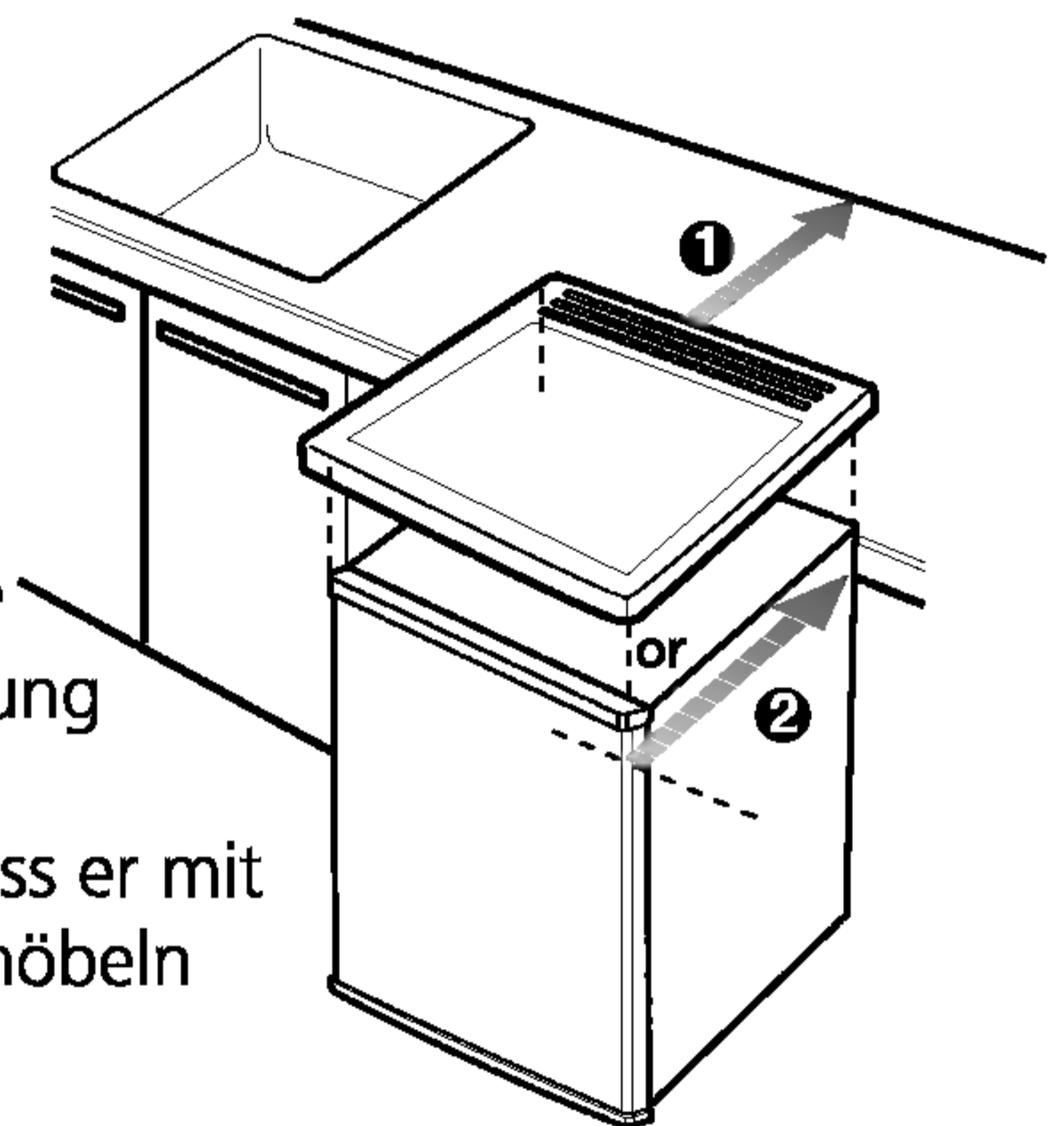
### HINWEIS

Auf einem ebenen und festen Boden aufstellen. Falls der Boden nicht eben ist, kann dies durch die Einstellschraube an der vorderen Seite des Gehäuses ausgeglichen werden.

Die Tür lässt sich leichter schließen, wenn die Vorderseite höher ist als die Rückseite.

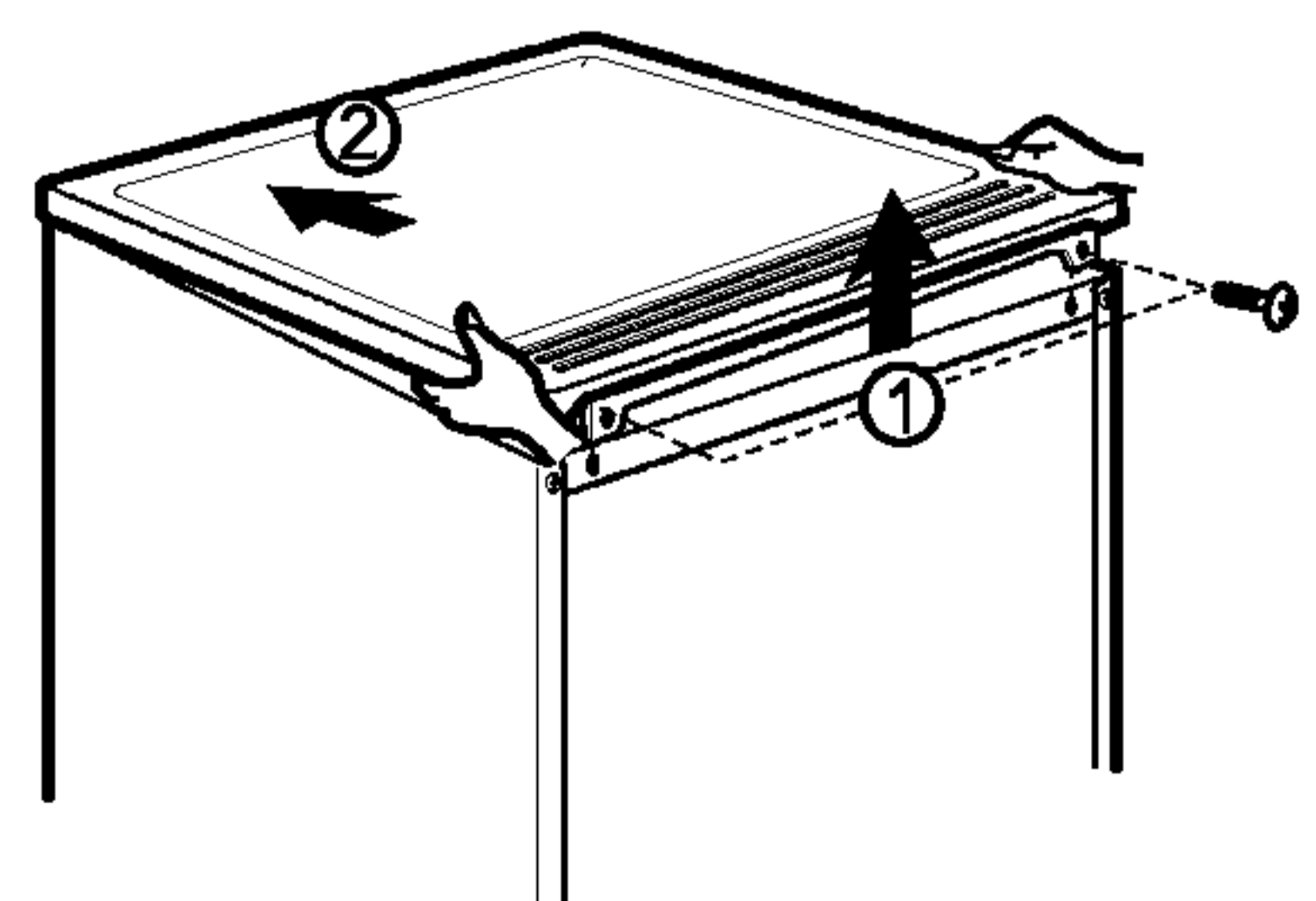
## Aufstellung mit/ ohne Abdeckplatte

1. schieben Sie bei Freiaufstellung (mit Abdeckung) den Kühlschrank so gegen die Wand, dass das Lüftungsgitter in der Abdeckung nahezu die
2. richten Sie bei Aufstellung ohne Abdeckung den Kühlschrank so aus, dass er mit dem anderen Küchenmöbeln bündig ist.



### Wie die Abdeckung entfernt wird

1. Die beiden Schrauben an der hinteren Seite der Abdeckung lösen.
2. Die hintere Seite der Abdeckung festhalten, leicht anheben und gleichzeitig nach vorne schieben.



## Erste Inbetriebnahme

Das Gerät vor dem Einschalten mindestens 2 Stunden am endgültigen Standort stehen lassen, damit der Kältemittelkreislauf zur Ruhe kommt, und keine Betriebsstörungen auftreten.

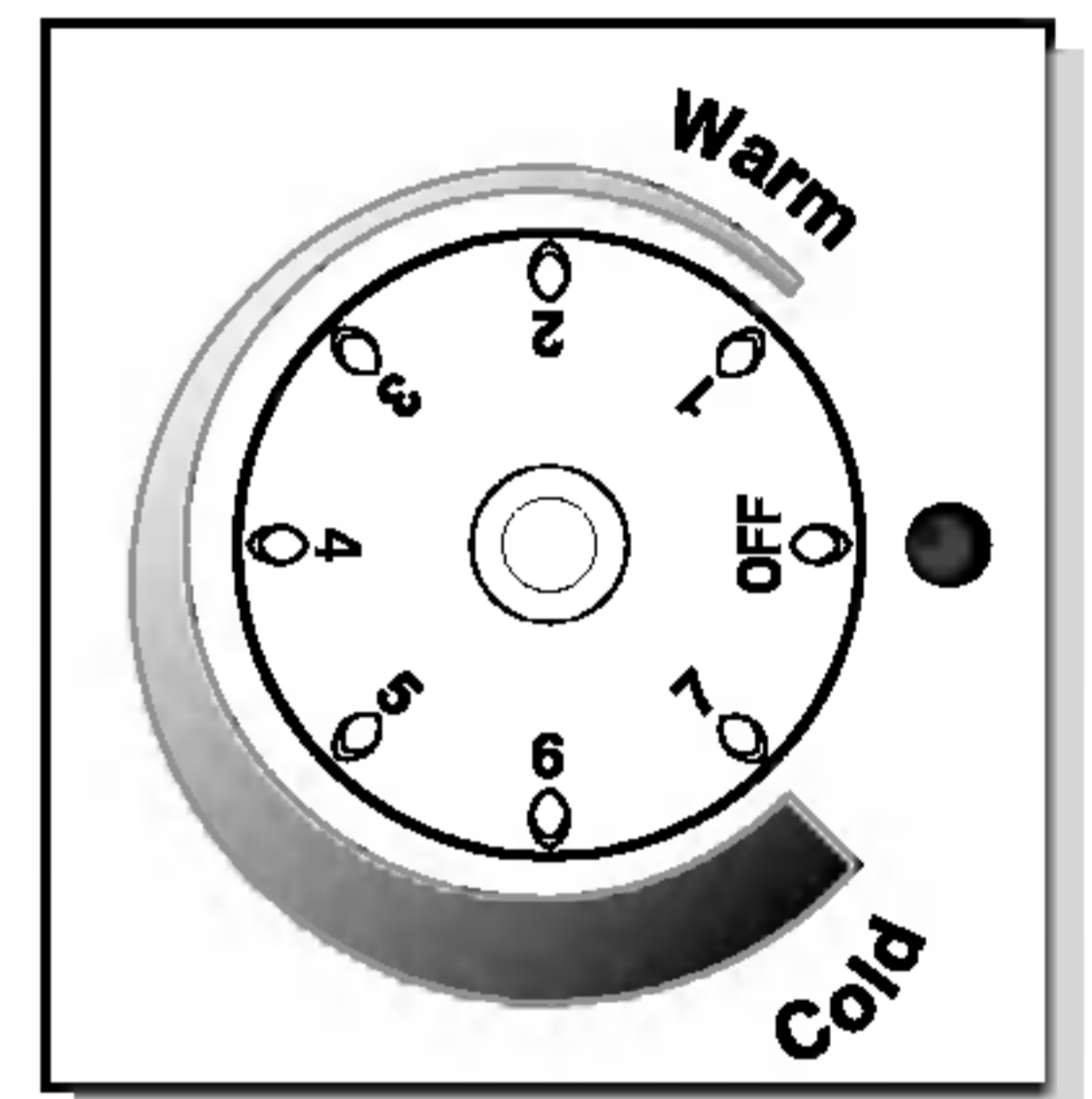
Den Temperaturregler aus der Position "OFF" drehen. Der Kühlprozess beginnt, und die Leuchte im Inneren des Kühlschranks schaltet sich ein, wenn die Tür geöffnet.

## Einstellen der Temperatur

Wir empfehlen, für normalen Betrieb den Regler auf den Wert "4" zu stellen.

**Zu warm**: Das Drehen des Reglers im Uhrzeigersinn stellt den Kühlschrank kälter (größere Zahl).

**Zu kalt**: Das Drehen des Reglers im Gegenuhrzeigersinn stellt den Kühlschrank wärmer (kleinere Zahl).



Die Temperatureinstellung hängt von der Umgebungstemperatur, der Lebensmittelmenge und davon ab, wie oft die Kühlschranktür geöffnet wird. Die Temperatureinstellung sollte überprüft werden, indem ein entsprechendes Thermometer verwendet wird, und des Bedienungsanweisung befolgt wird.

## Ausschalten

Den Temperaturregler gegen den Uhrzeigersinn bis zum Anschlag drehen, und auf "OFF" stellen. Der Kühlprozess stoppt, und die Leuchte im Inneren des Kühlschranks schaltet sich aus.



## Abtauen

### Abtauen des Kühlfachs

Während des Betriebs des Kühlschranks bildet sich Eis auf der Rückseite des Kühlfachs, das automatisch schmilzt, wenn der Kompressor abschaltet. Das Tauwasser sammelt sich in der Ablaufrinne und verdunstet durch die Wärme des Kompressors.

### Abtauen des Tiefkühlfachs

Feuchtigkeit bildet während des Betriebs des Geräts, oder wenn die Tür geöffnet wird, Raureif oder Eis im Tiefkühlfach. Das dicke Eis verringert die Menge der kalten Luft, die für die Lebensmittel verwendet werden kann, und erhöht den Stromverbrauch.

### Entfernen der Raureifschicht

Verwenden Sie einen Eiskratzer, um die Raureifschicht zu entfernen.

### Abtauen der Eisschicht

Tauen Sie das Tiefkühlfach wie folgt ab, falls es stark zugefroren ist.

- Entnehmen Sie die gefrorenen Lebensmittel, wickeln sie sie in Zeitungspapier ein, und bewahren Sie sie an einem kühlen Ort auf.
- Vergessen Sie nicht, das Gerät auszustecken, und stellen Sie sicher, dass kein Wasser in den Temperaturregler läuft.
- Lassen Sie die Tür offen, und wischen Sie das Wasser mit einem Schwamm auf.
- Trocken Sie das Tiefkühlfach gründlich ab, schalten Sie das Gerät wieder ein, und legen Sie die tiefgefrorenen Lebensmittel wieder hinein.

**TIPP**

Es ist hilfreich, eine Schale mit heißem Wasser in das Tiefkühlfach zu stellen, um das Abtauen zu beschleunigen.

**HINWEIS**

Verwenden Sie niemals elektrische Geräte im Kühlschrank, um das Abtauen zu unterstützen. Seien Sie vorsichtig, wenn Sie Abtausprays verwenden, um das Abtauen zu unterstützen. Diese Sprays enthalten Substanzen wie brennbare Gase und können schlecht für das Gerät oder gesundheitsschädlich sein.

## Aufbewahren von Lebensmitteln

Falls die Tür öfter als notwendig geöffnet wird oder lange offen bleibt, steigt die Temperatur im Kühlschrank an. Dies führt dazu, dass die Haltbarkeit der Lebensmittel und der Geschmack beeinträchtigt wird, und dass der Energieverbrauch ansteigt.

### Aufbewahren der gefrorenen Lebensmittel

#### HINWEIS

Berühren Sie keine tiefgefrorenen Lebensmittel mit nassen Händen. Sie könnten Erfrierungen an den Händen bekommen.

Vermeiden Sie, dass nicht gefrorene Lebensmittel gefrorene Lebensmittel berühren. Die gefrorenen Lebensmittel könnten auftauen.

Die zum Einfrieren von Lebensmitteln geeigneten Verpackungen sind folgende:

- Polyethylenbeutel, Kunststofffolie, Tiefkühlbehälter.

Die geeigneten Befestigungsmittel sind

- Gummibänder, Plastikclips, Klebeband, Schnur. Lassen Sie vor dem Versiegeln die Luft aus den Beuteln und Folien entweichen. Die in der Verpackung verbleibende Luft macht die Lebensmittel trocken.

Sie können Lebensmittel schnell einfrieren, wenn die Verpackung anliegt. Bewahren Sie keine Flaschen im Tiefkühlfach auf. Sie könnten beim Einfrieren platzen.

### Anordnen von Lebensmitteln

- Bewahren Sie stark riechende Lebensmittel in geschlossenen Behältern auf.
- Verwenden Sie Aluminiumfolie, Kunststofffolie, Metall- und Glasbehälter als Verpackung für Lebensmittel.
- Lassen Sie warme Lebensmittel ausreichend abkühlen, bevor Sie sie in den Kühlschrank stellen. Die Wärme erzeugt Vereisungen und erhöht den Energieverbrauch.
- Bewahren Sie hochprozentige Spirituosen in luftdichten Flaschen stehend auf.
- Bewahren Sie Lebensmittel, die bei Kälte schnell schlecht werden (z.B. Melonen, Bananen, Ananas), nicht im Kühlschrank auf.

Stellen Sie sicher, dass die Tür immer richtig geschlossen ist. Dies verhindert, dass die Lebensmittel schlecht werden, und dass sich eine dicke Eisschicht oder Raureif im Kühlschrank bildet, was zu einem hohen Stromverbrauch führt.

## Allgemeine Informationen

### Urlaub

Wenn Sie vorhaben, länger wegzufahren, entfernen Sie alle Lebensmittel, stecken Sie den Strom aus, reinigen Sie den Kühlschrank gründlich, und lassen Sie die Tür OFFEN, um unangenehme Gerüche zu verhindern.

### Stromausfall

Die meisten Stromausfälle werden innerhalb von 1 – 2 Stunden beseitigt, und haben keinen Einfluss auf die Kühlschranktemperatur. Sie sollten jedoch während des Stromausfalls den Kühlschrank so wenig wie möglich öffnen. Legen Sie während längerer Stromausfälle ein Block Trockeneis auf Ihre tiefgefrorenen Lebensmittel.

### Umzug

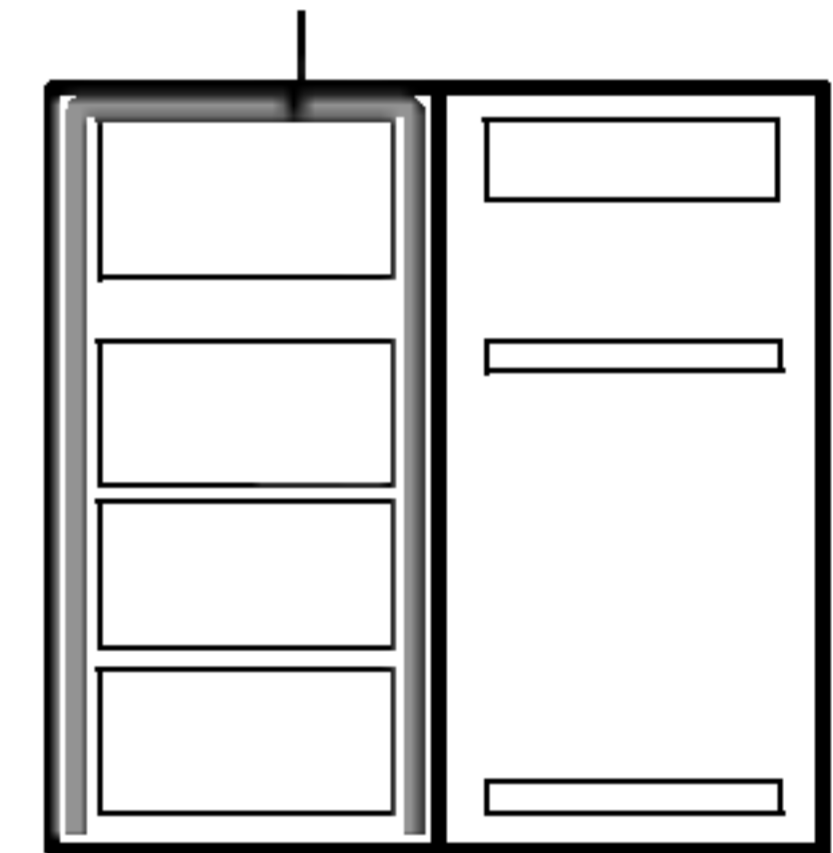
Entfernen Sie alle Elemente aus dem Kühlschrank, oder befestigen Sie alle lockeren Teile. Drehen Sie die Einstellschraube bis zum Anschlag hinein, um Beschädigungen zu verhindern.

### Anti-Kondensleitung

- Die Anti-Kondensleitung ist rund um die Vorderseite des Kühlschranks montiert, um eine Tauwasserbildung zu verhindern.

- Besonders nach dem Einschalten oder bei hohen Umgebungstemperaturen kann sich der Kühlschrank warm anfühlen, was aber ganz normal ist.

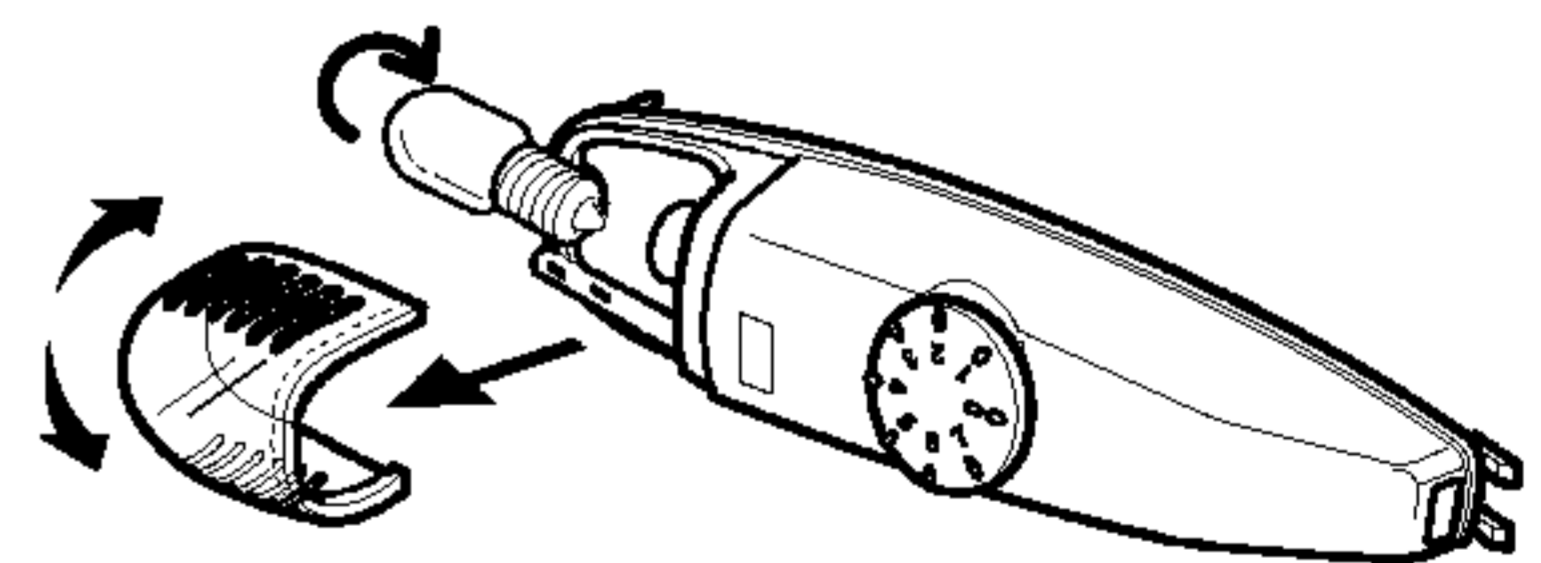
### Anti-Kondensleitung



## Glühbirnenaustausch

Den Stecker aus der Steckdose ausstecken.

1. Die Einlegeböden entfernen, um den Zugang zu vereinfachen.
2. Die Leuchtenabdeckung durch leichtes Hoch- und Runterdrehen vom Thermostatgehäuse entfernen



3. Die Glühbirne gegen den Uhrzeigersinn drehen und ersetzen (max. 15W, 220~240V)
4. In umgekehrter Reihenfolge der Demontage wieder zusammenbauen.  
Die Ersatzbirne muss die gleichen Eigenschaften wie die Originalbirne aufweisen.

## ▲ **Achtung**

## Reinigen

Stecken Sie immer das Gerät aus, oder entfernen Sie die entsprechende elektrische Sicherung, bevor Sie das Gerät reinigen.

Verwenden Sie keine scharfen Werkzeuge (wie Messer oder Schraubenzieher), die den Kältemittelkreislauf beschädigen könnten, was zu Umwelt- oder Gesundheitsschäden führen würde.

Verwenden Sie niemals Dampf- oder Hochdruckreiniger, da diese die Oberfläche des Kühlschranks und die elektrische Anlage beschädigen könnten. Verwenden Sie niemals Sand, Scheuermittel, ätzende oder chemische Reinigungsmittel.

- Das Tiefkühlfach sollte monatlich gereinigt werden.
- Es ist am Besten, das Tiefkühlfach nach dem Abtauen zu reinigen.
- Es muss darauf geachtet werden, dass kein Putzwasser in das Thermostat oder in das Leuchtengehäuse dringt.
- Der Kühlschrank, einschließlich der inneren Teile, sollte mit einem Lappen oder lauwarmen Wasser gereinigt werden. Sie können normales Geschirrspülmittel verwenden.
- Wischen Sie das Gerät anschließend gründlich mit klarem Wasser ab, und trocknen Sie es ab.
- Reinigen Sie es oft, damit das Tauwasser gut über den Ablauf auf der Rückseite des Kühlschranks ablaufen kann. Reinigen Sie den Ablauf mit einem Zahnstocher oder ähnlichem, damit dieser nicht verstopft. Es muss darauf geachtet werden, dass die Ablaufwanne nicht mit dem Putzwasser überflutet wird.

Entfernen Sie regelmäßig mit einer weichen Bürste den Staub und anderen Ablagerungen auf dem Wärmetauscher auf der Rückseite des Kühlschranks. Staub und Ablagerungen behindern die Wärmeabgabe vom Inneren, und erhöhen den Energieverbrauch.

**Jegliche Beschädigung am Wärmetauscher oder anderen Bauteilen führt zu einem Entweichen des Kältemittel in die Umgebung, und muss daher vermieden werden, um Schäden an der Umwelt und gesundheitliche Risiken zu vermeiden.**



**Überprüfen Sie vor dem Anrufen des Kundendienstes diese Liste.**

**Dies kann Ihnen sowohl Zeit und Geld sparen.**

**Die Liste enthält häufige Fehler, die ihre Ursache nicht in einer fehlerhaften Verarbeitung oder Material dieses Gerätes haben.**

Problem	Mögliche Ursache
<p><b>Kühl-Gefriergerät funktioniert nicht</b></p>	<ul style="list-style-type: none"> <li>• Der Stecker könnte ausgesteckt sein. Richtig einstecken.</li> <li>• Die Gebäudesicherung/Leistungsschalter hat angesprochen. Die Gebäudesicherung/Leistungsschalter prüfen und/oder ersetzen.</li> <li>• Stromausfall Prüfen Sie die Hausbeleuchtung.</li> </ul>
<p><b>Vibration oder Klappern oder anormales Geräusch</b></p>	<ul style="list-style-type: none"> <li>• Der Boden, auf dem der Kühlschrank steht, könnte uneben sein, oder der Kühlschrank könnte wackelig stehen. Ausrichten durch Drehen der Einstellschraube.</li> <li>• Unnötige Gegenstände stehen an der Rückwand des Kühlschranks.</li> </ul>
<p><b>Die Temperatur der Lebensmittel im Kühlschrank ist</b></p>	<ul style="list-style-type: none"> <li>• Die Tür wurde zu oft oder zu lange geöffnet. Es gibt eine Wärmequelle neben dem Kühlschrank. Eine große Lebensmittelmenge wurde in das Kühlfach gestellt.</li> </ul>
<p><b>Die Innenleuchte funktioniert nicht richtig</b></p>	<ul style="list-style-type: none"> <li>• Der Temperaturregler steht auf "O". Die Glühbirne ist defekt. Siehe Abschnitt „Lampenaustausch“</li> </ul>
<p><b>Die Temperatur im Kühlschrank ist zu kalt</b></p>	<ul style="list-style-type: none"> <li>• Der Temperaturregler steht auf einer sehr hohen Ziffer.</li> </ul>

Problem	Mögliche Ursache
<b>Der Kühlschrank riecht</b>	<ul style="list-style-type: none"><li>• Lebensmittel mit starkem Geruch sollten gut verschlossen oder abgedeckt sein.</li><li>• Kontrollieren, ob sich verdorbene Lebensmittel im Kühlschrank befinden.</li><li>• Der Innenraum muss gereinigt werden.</li><li>• Siehe Abschnitt "Reinigen"</li></ul>
<b>Es bildet sich Feuchtigkeit auf der Gehäuseoberfläche</b>	<ul style="list-style-type: none"><li>• Diese Phänomen kann an einem feuchten Platz auftreten. Mit einem Handtuch abtrocknen</li></ul>

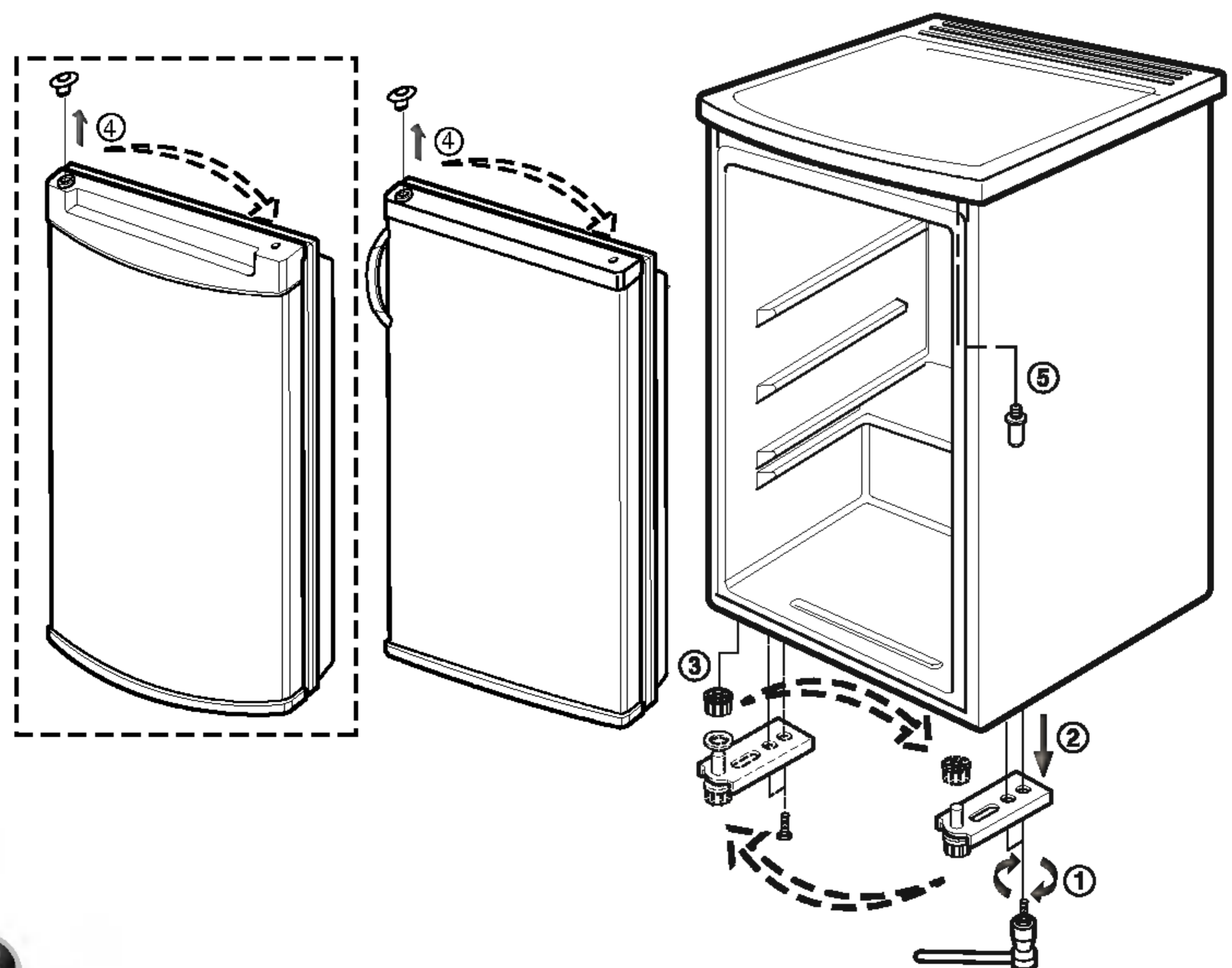
## Wie man den Türanschlag wechselt

Ihr Kühlschrank wurde mit einer reversiblen Tür ausgestattet, damit Sie die Tür entweder links oder rechts anschlagen können. Es ist am Besten, das Türscharnier vor dem Aufstellen umzubauen, da dies später unpraktisch ist. Achten Sie auf die nachfolgende Abbildung, um das Türscharnier umzubauen, und gehen Sie wie folgt vor.

### Vorsichtsmassnahmen

1. Zuerst das Gerät ausstecken.
2. Entfernen Sie die Lebensmittel und loses Zubehör wie Einlegeböden und Schalen.
3. Legen Sie den Kühlschrank auf ein Polster wie Verpackungsmaterial, ohne den Kältekreislauf zu beschädigen.
4. Benutzen Sie einen Schraubenschlüssel respektive geeignetes Werkzeug, um die Schrauben zu lösen und anzuziehen.

1. Entfernen Sie die beiden Schrauben ①, und entfernen dann das Scharnier (L) ②.
2. Entfernen Sie den Fuß ③.
3. Ziehen Sie vorsichtig die Tür nach unten, um sie zu entfernen.
4. Wechseln Sie die Scharnierabdeckung ④ von der jetzigen Position auf die andere Seite der Tür, indem Sie sie abziehen, bevor Sie die Tür neu montieren. Es muss darauf geachtet werden, dass die umliegenden Flächen nicht beschädigt werden, wenn die Scharnierabdeckung entfernt wird.
5. Schrauben Sie den Stift des oberen Scharniers (U) ⑤ ab, und schrauben Sie es in die entgegen gesetzte Bohrung ein.



## Wie man den Türanschlag wechselt

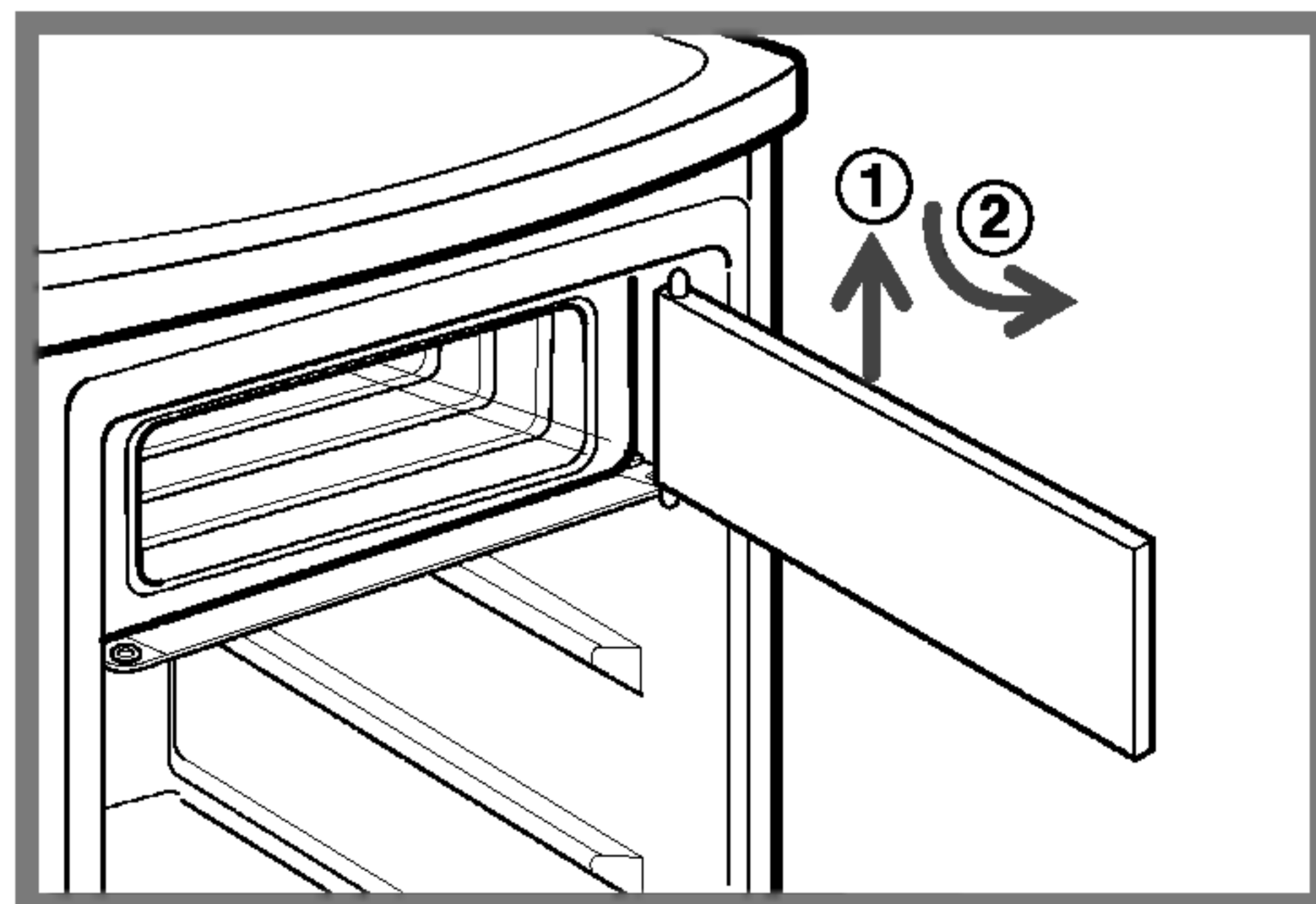
6. Befestigen Sie das untere Scharnier (L) mit 2 Schrauben auf der entgegengesetzten Seite, nachdem die Tür eingesetzt wurde.
7. Befestigen Sie den Fuß.
8. Stellen Sie das Gerät vorsichtig aufrecht hin. Verwenden Sie die Einstellschraube, um das Gerät auszurichten, und prüfen Sie, ob sich die Tür richtig öffnen und schließen lässt.

### HINWEIS

HINWEIS: Nachdem Sie die Tür umgebaut haben, kann es sein, dass beim kräftigen Schließen sich die Tür auf Grund der Reaktionskräfte nicht richtig schließt. Stellen Sie sicher, dass sich die Tür richtig schließt.

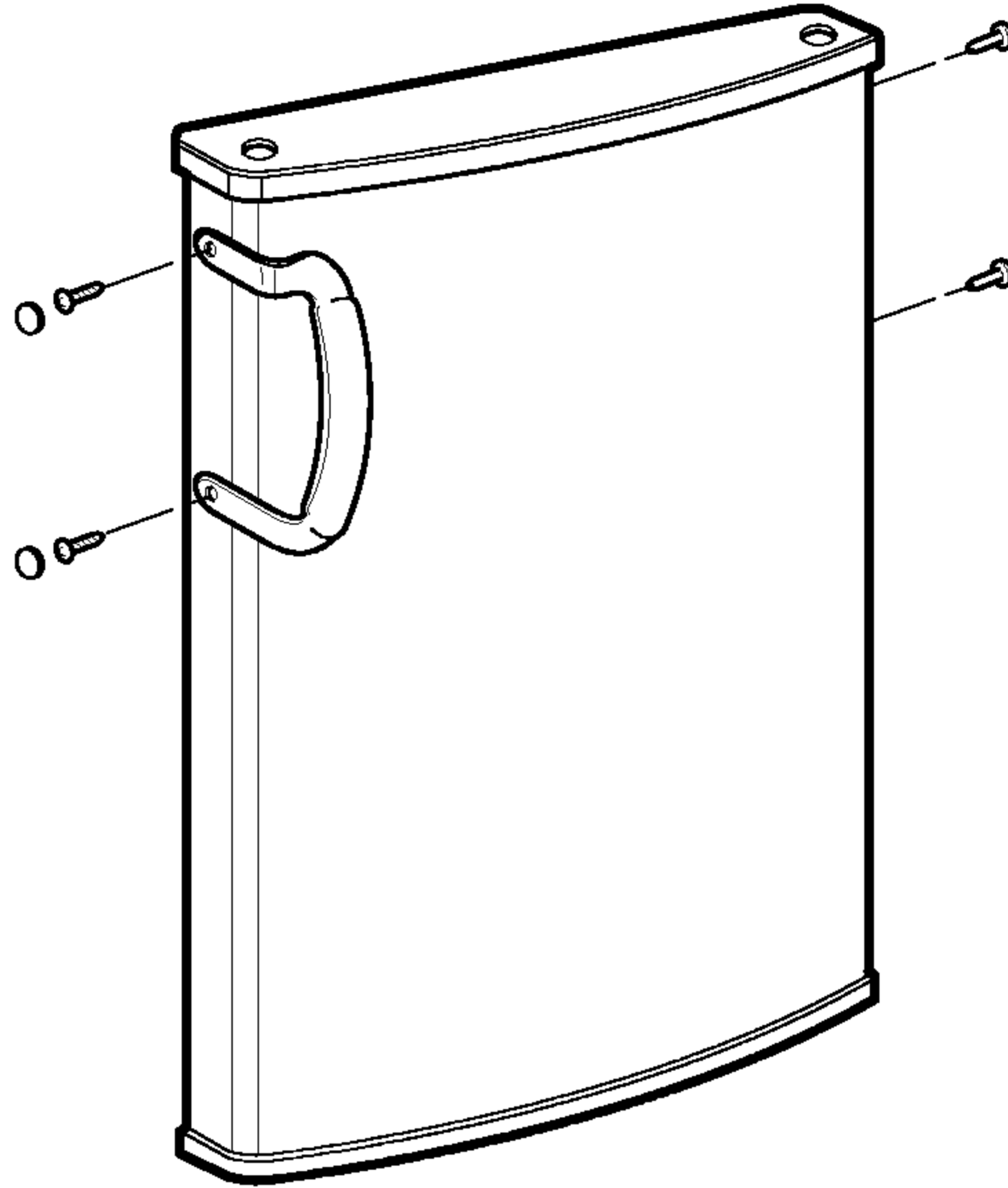
## Wie man die Öffnungsseite der Tiefkühlfachklappe ändert

Wenn Sie das Türscharnier der Kühlfachtür umbauen, sollten Sie aus praktischen Gründen auch das Scharnier der Tiefkühlfachklappe umbauen. Achten Sie auf die nachfolgende Abbildung, und gehen Sie wie folgt vor.

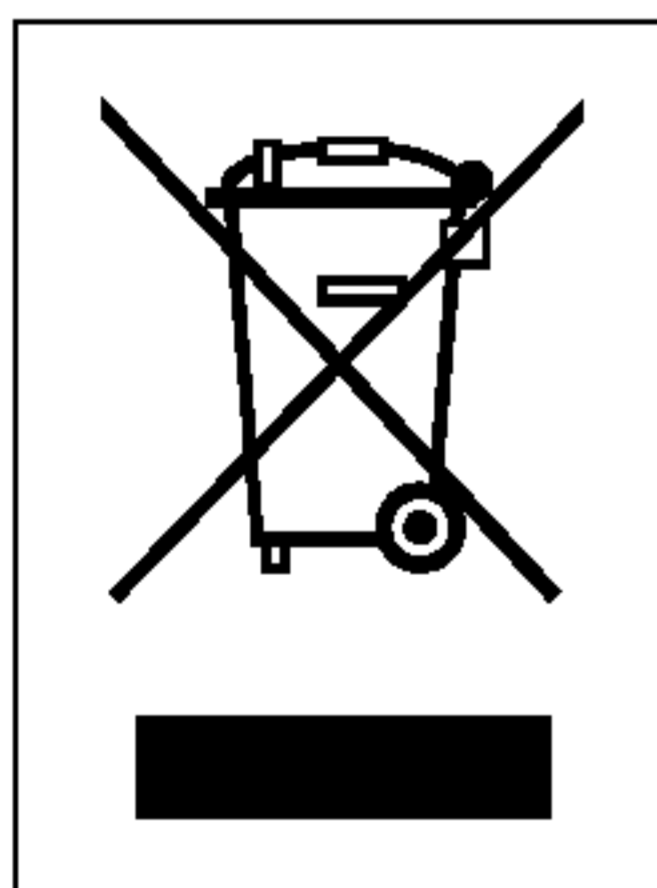




## Wie man die Öffnungsseite der Tiefkühlfachklappe ändert (Option)



### Entsorgung von Altgeräten



1. Wenn dieses Symbol eines durchgestrichenen Abfalleimers auf einem Produkt angebracht ist, unterliegt dieses Produkt der europäischen Richtlinie 2002/96/EC.
2. Alle Elektro- und Elektronik-Altgeräte müssen getrennt vom Hausmüll über dafür staatlich vorgesehenen Stellen entsorgt werden.
3. Mit der ordnungsgemäßen Entsorgung des alten Geräts vermeiden Sie Umweltschäden und eine Gefährdung der persönlichen Gesundheit.
4. Weitere Informationen zur Entsorgung des alten Geräts erhalten Sie bei der Stadtverwaltung, beim Entsorgungsamt oder in dem Geschäft, wo Sie das Produkt erworben haben.



## **Chłodnia - odmroziła wypadek**

Użytkownik kierują

**GC-181SA**

Zapytajcie żeby przeczytać użytkownikowi kierują ostrożnie przed tym, jak działać korzyść, i zachowa po pierwsze bezpośrednio, bierze lekko z miejscem odwołania.

# Katalog

## Przedmowa

Ważne bezpieczne objaśnienie ..... 4

Składowe zidentyfikowanie ..... 6

## Instalacja

Instalacyjne miejsce ..... 7

Taśma/nie bierze instalacji dachu listek ..... 7

Przepisowa pozioma śruba ..... 8

## Działanie

Początek ..... 9

Temperaturowa władza ..... 9

Wykluczenie mróz ..... 10

## Propozycja zaopatrującej co do jada

Zaopatrzenie jada ..... 11

Przedział chłodni ..... 11

Chłodna składowa sala ..... 11

## Troska i utrzymanie

Generalna wiedza ..... 12

Zmiana lekka bulwa ..... 13

Czyszczenie ..... 13

## Wyeliminujcie wadę

Wyeliminujcie wadę ..... 14

## Obrót drzwi owsze

Jak żeby obrócić drzwi owszem ..... 16

Jak verte obrócić parownik drzwi ..... 17

Uchwyt drzwi (Option) ..... 18

## Oskarżcie kolisko

**Moc dostarczają kort iż nie musi użyć rozciągania**

**Poręczność może wyciągnąć korek źródła mocy**

**Dostarczcie energii elektrycznej**

## Ważne bezpieczne objaśnienie

**Przed tym, jak korzystać, ta chłodnia - mrożony wypadek musi być wprowadzony na urząd ortograficznie według instalacyjnego objaśnienia w właściwym rozmieszczeniu.**

**Nie dozwólcie żeby obciąć źródło mocy waszej chłodni - mrożony wypadek przez wciągnięcie moc dostarczają kort absolutnie.** Jeśli zawsze porywać jędrny korek, bezpośrednio wyciągają to od wklęsłości szczytu ściany wystartować.

**Ruszając to elektryczne zaopatrzenie od ściennego boku kiedy istota precz od, nie cisną ostrożnie albo szkody moc dostarczają kort.**

**W chłodni - mrożone szafkowe działanie, co nie dotyczą przedziału chłodni marzną powierzchnia, specjalnie zastawiają rękę jest wilgotna.** Skóra może być sklejona w tej odrobineczce chłodny.

Przed tym, jak czyścić chłodnię - mrożony wypadek, wyciągają korek źródła mocy.

Gwoli mocy szkody dostarczają kort może pobudzić ogień albo kraksę elektrycznego urazu, nie uszkodzą absolutnie, poważnego dogięcia, wysunięcie naciągu albo krzywa ta moc dostarczają kort.

Nie kładzione butelkowe jadło w przedziale chłodni absolutnie, kiedy jego zadowolona rzecz jest mrożona, wekują złamania prawdopodobnie.

Tak dopokąd można, łączy tę chłodnię - mrożony wypadek do tego, korzyść sama, wklęsłość źródła mocy wchodzą, aby unikają przysłony jego, inne elektryczne zaopatrzenie albo rodzina iluminacyjne przeciążenie wzbudzenia.

Korek źródła mocy tej chłodni - mrożony wypadek musi zostać w rozmieszczeniu tamta poręczność może dobiec, z w zachodzeniu pilny stan spraw obcięte połączenie natychmiast.

Jeśli ta moc dostarczają kort uszkodziła musi od fabrykanta handlowego, albo jego przedstawiciel, albo mają te same ludzi zastrzeżenia odmieniają, z unikają niebezpieczeństwa.



## Ważne bezpieczne objaśnienie

### Niebezpieczeństwo

Dziecko zostało zamknięte w ryzyku  
 Przed tym, jak opuszczać waszą starą chłodnię albo mrożony wypadek, proszę rozładujcie drzwi wystartować  
 Pomie budowę pobyć w autentyku położenie, tak, dziecko nie wspina lekko pójść.

### Nie musi zaopatrzyć

Nie musi zachować się albo używają benzynę albo inną zapalną parę i płyn pobliskie to elektryczne zaopatrzenie albo inne elektryczne zaopatrzenie.

### Earthing

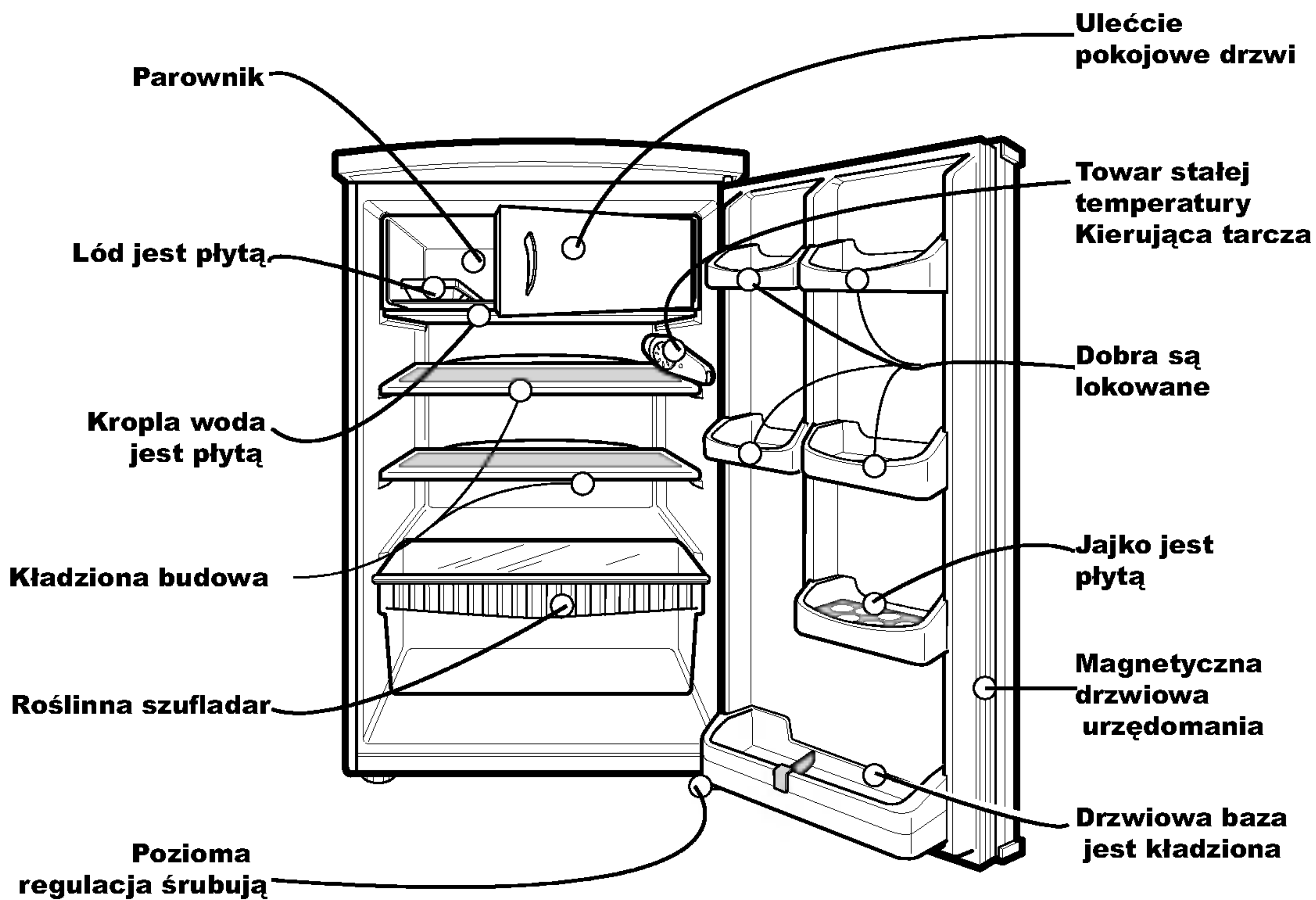
Jeśli zdarzające obchodzenie krótkie obchodzenie gwoli rozpowszechni poprowadzenie do drutu mielonego, earthing zredukuje ryzyko elektrycznego urazu. Żeby przeszkodzić elektryczny uraz możliwości to elektryczne zaopatrzenie musi earthing. Nie właściwa korzyść earthing korek może spowodować elektryczny uraz.

Jeśli nie może rozumieć earthing objaśnienie albo radzące technika utrzymania dokumentnie, albo jeśli wy czy to dla tego elektrycznego zaopatrzenia pogodziły wątpliwość przez sprostowanie earthing, zapytanie do dyplomowanego elektromontera.

### ▲ Ostrzeżenie

- ▲ Utrzymanie lotniczy-oddech w tej powłoce albo wewnętrznej budowie elektrycznego zaopatrzenia jest odblokowywany, nieprzyjemnością-wolną.
- ▲ Nie musi skorzystać inny znaczy albo mechaniczna instalacja prócz tego fabrykanta handlowa propozycja, przyspieszą wykluczyć mróz bieg.
- ▲ Nie musi uszkodzić refrigerant pętli
- ▲ Proponuje do nie musi użyć innego elektrycznego zaopatrzenia w zapasie jądła tego elektrycznego zaopatrzenia prócz tego typu wykluczą fabrykanta handlowy.
- ▲ Upał-izolacyjna materialna pienista dawka i refrigerant iż używany w elektrycznym zaopatrzeniu są zapytywany szczególnym programem rozmieszczenia. Handlując z zapytaniem do przedstawiciela albo mają ludzi radząci tego samego zastrzeżenia.

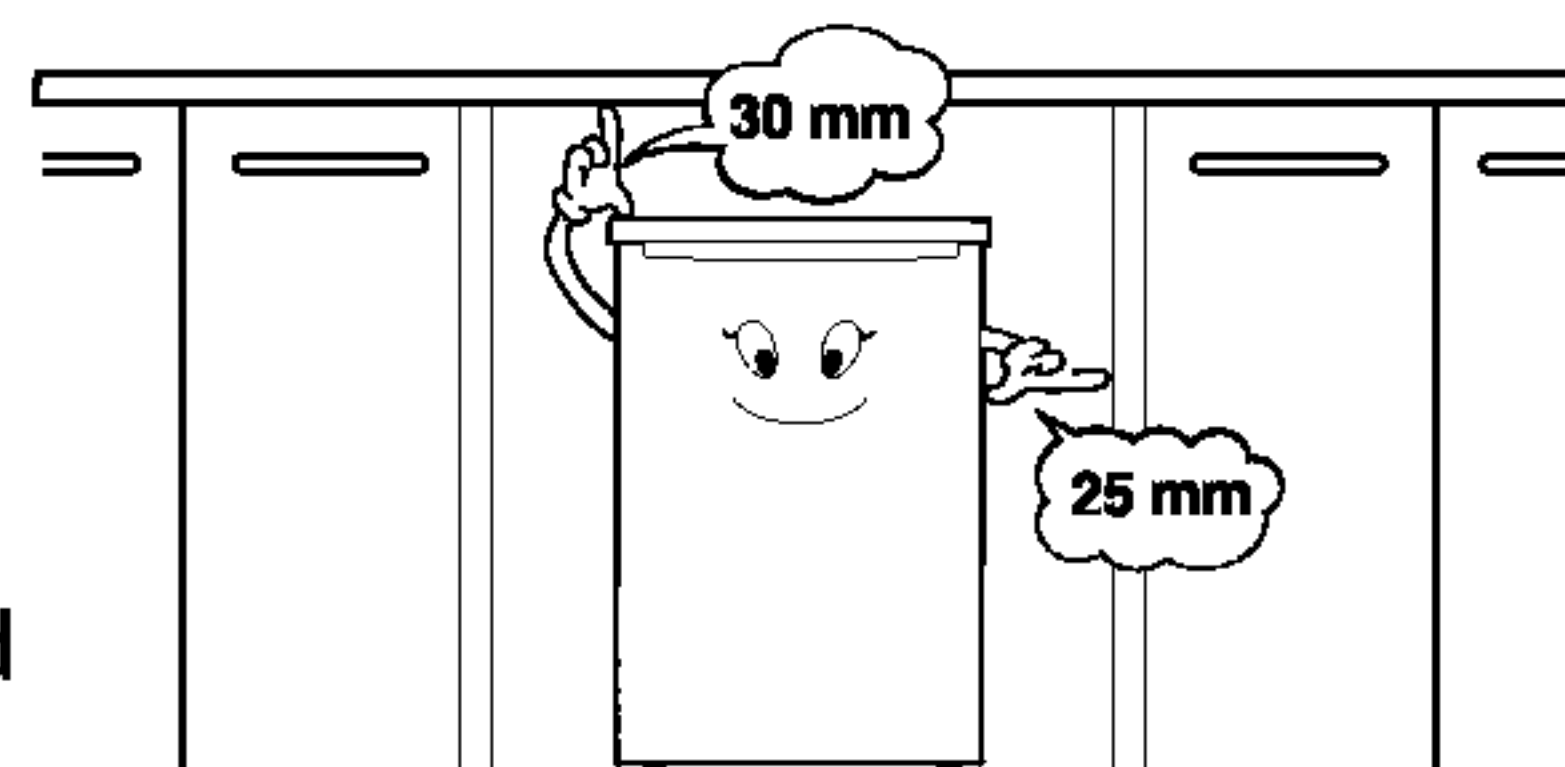
## Składowe zidentyfikowanie



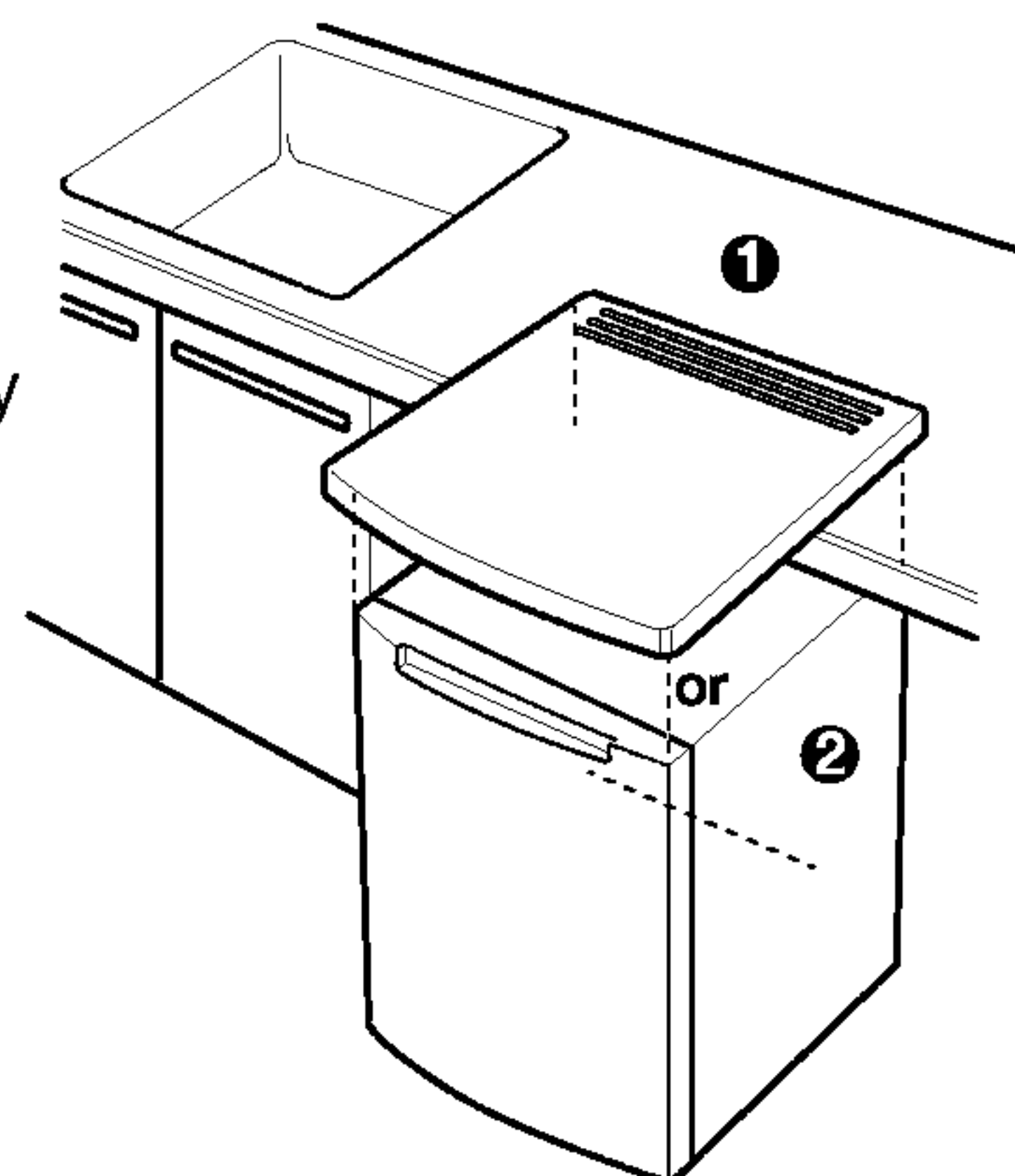
**▲Ostrzeżenie****Miejsce**

Robiąc nie dorośnięcie kiedy ciepne odchodzeni kropli do 16 graden (autentyk jak to, tak samo poniżej) poniżej albo wschód 32 graden bardziej niż używają chłodnię od dawna.

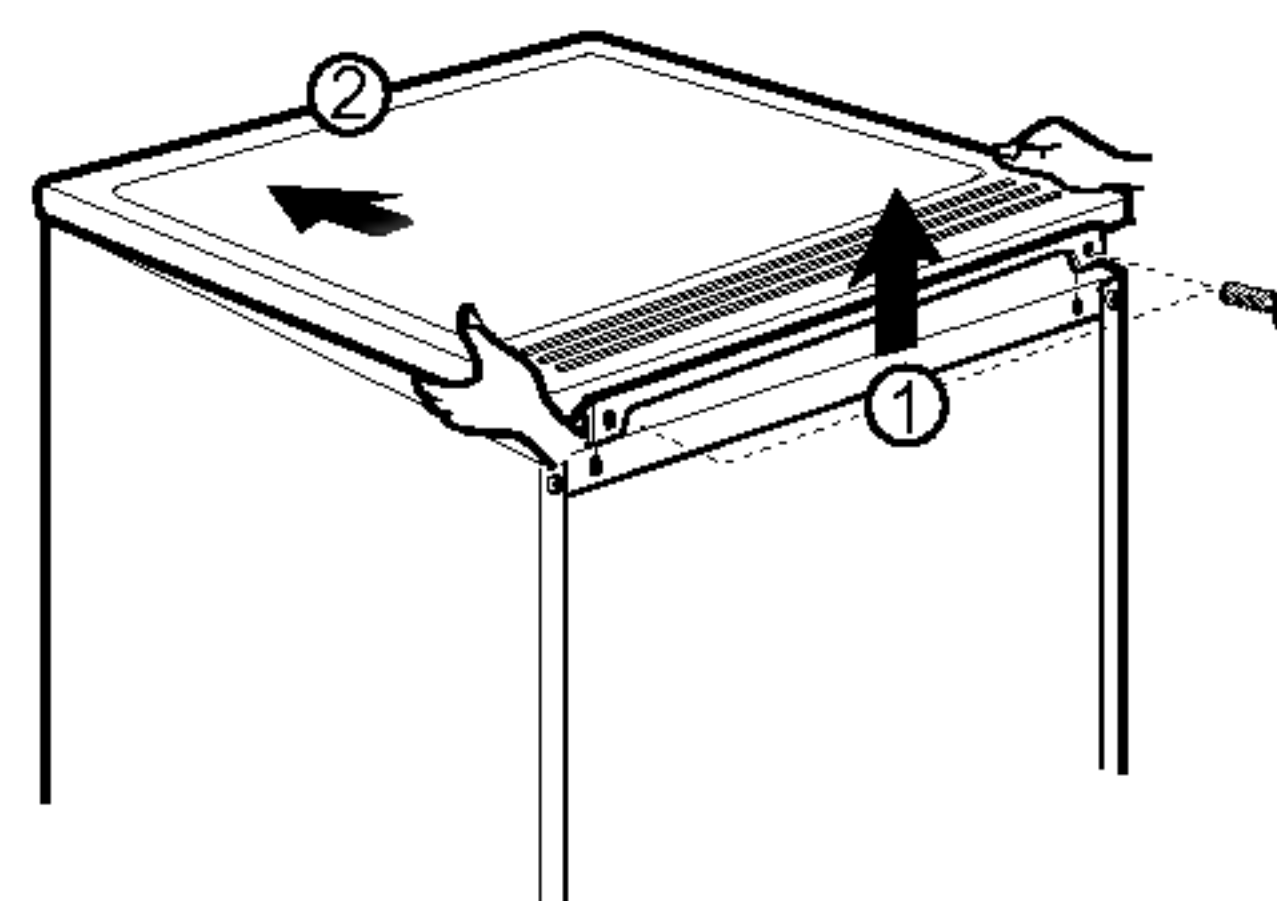
- Uniknijcie, kładą chłodnię w jakimś ciepłnym źródle i bezpośrednim sunlight, słońce albo wilgotne miejsce.
- Dla skutecznego działania waszej chłodni, dosyć powietrze krążenie jest potrzebne.
- Jeśli wasza chłodnia żeby ufundować w ścienniej dziurze, zapytania odłożyć 30 mm przynajmniej w tej chłodni górnej albo precz od ściany przestrzeń 25 mm.
- Jeśli mełtem kapy, ma dywan, musi podnieść chłodnię zostać precz od mielonej 25 mm.

**Taśma/nie bierze instalacji dachu listek**

1. Kiedy listek dachu taśmy wprowadza na urząd (miejsce dowolnie), pcha chłodnię, przychodzenie dopóki lotniczy cyrkulacyjny otwór listka dachu pod, dopóki ściana.
2. Nie biorąc dekują listek wprowadzić na urząd, cel na frontowym ostrzu drzwi, frontowego ostrza kuchennych mebli.

**Jak żeby usunąć górny stół**

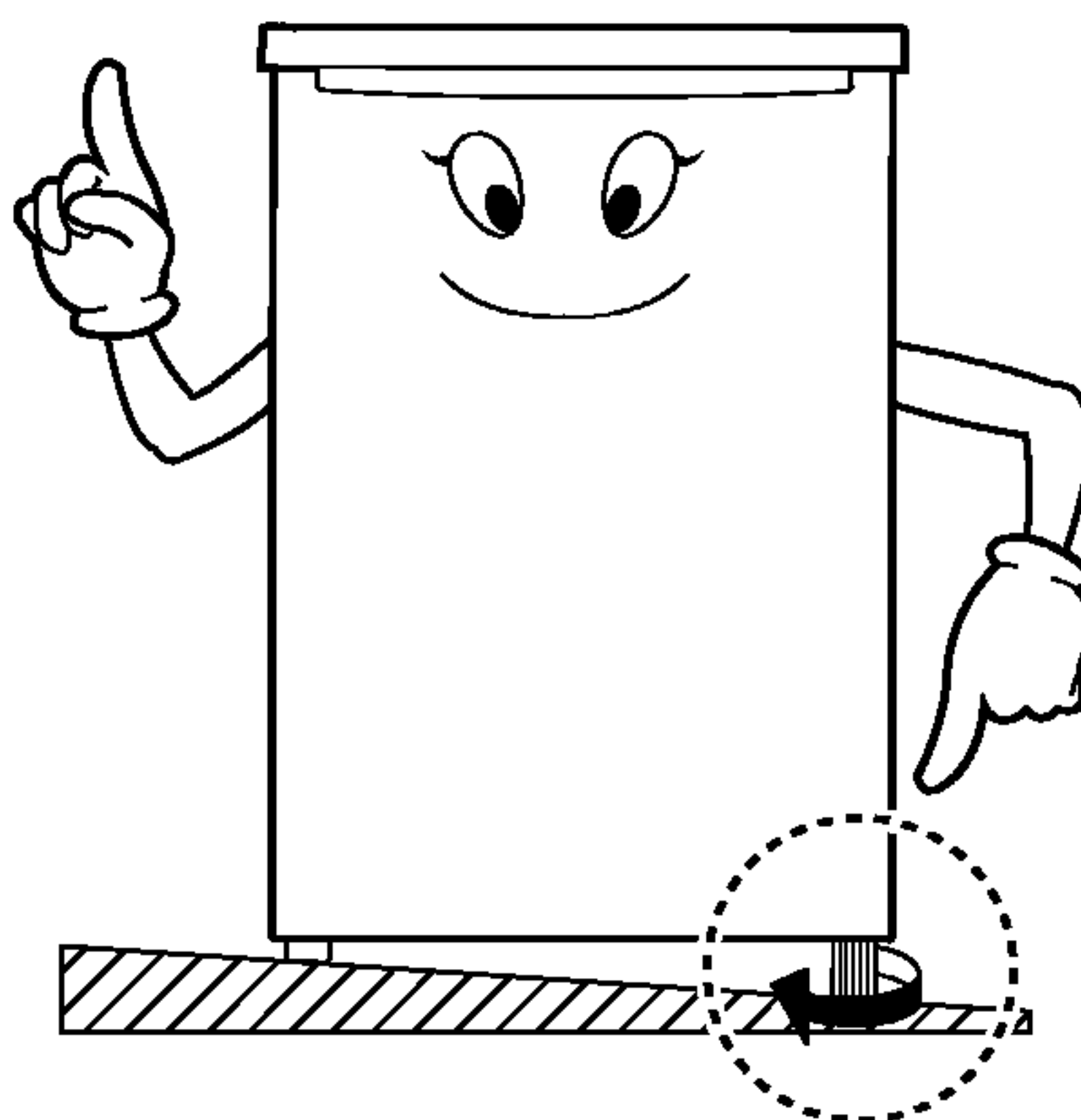
1. Odkręćcie dwa strzały na osadzeniu górnego stołu
2. Potrzyjcie osadzenie górnego stołu i pchają napastniczki z zadzierającymi górny stół lekko.





## Przepisowa pozioma śruba

- Żeby uniknąć wibracji, chłodnia musi umieścić w poziomie jest superficial.
- Jeśli potrzeba, wprowadzają na urząd poziomą regulację śrubując wyrównać niesprawiedliwość mielonej. Chłodnia przed musi zostać wyżej niż nazad, takie drzwi mogą zamknąć dość lekko.
- Może nachylić się, chłodnia regulują tę poziomą regulację śrubując.
- Wzdłuż tego obrotna pozioma regulacja śrubując ręki godziny, chłodnia wstąpiła.



### Następny

- Czysta wasza chłodnia jest wcierana przewozem, amass wszystko następne kurze.
- Wprowadźcie na urząd całe doczepki, (takie że: Lód płyta,, układają się etc.) odchodzenie do ich rozmieszczenia. Oni zostali opakowani razem, aby unikają przystony w przewozie w możliwości szkoda.
- Pójdźcie do połączenia mocy dostarczają kort zamienić wklęsłość szczytu ściany, na, nie z innym elektrycznym zaopatrzeniem wspólna ta sama wklęsłość szczytu ściany.
- Przed tym, jak korzystać, pozwalają waszą chłodnię układaną przez 2 do 3 godzinek źródła mocy, i badają chłodne powietrze na parowniku popłynąć, z zapewniają właściwą ochłodę.



## Rozpocznijcie

Kładąc przez źródło mocy chłodni dla pierwszego czasu, pozwalając to biegać, przynajmniej w 2 do 3 godzin, robią to stabilizują przed tym, jak ładować świeże jadło w normalnej temperaturze.

Jeśli działanie zostało zawieszona, zapytania rozpocząć się znowu znowu po 5 minutach.

## Temperatura kierująca

Zauważcie

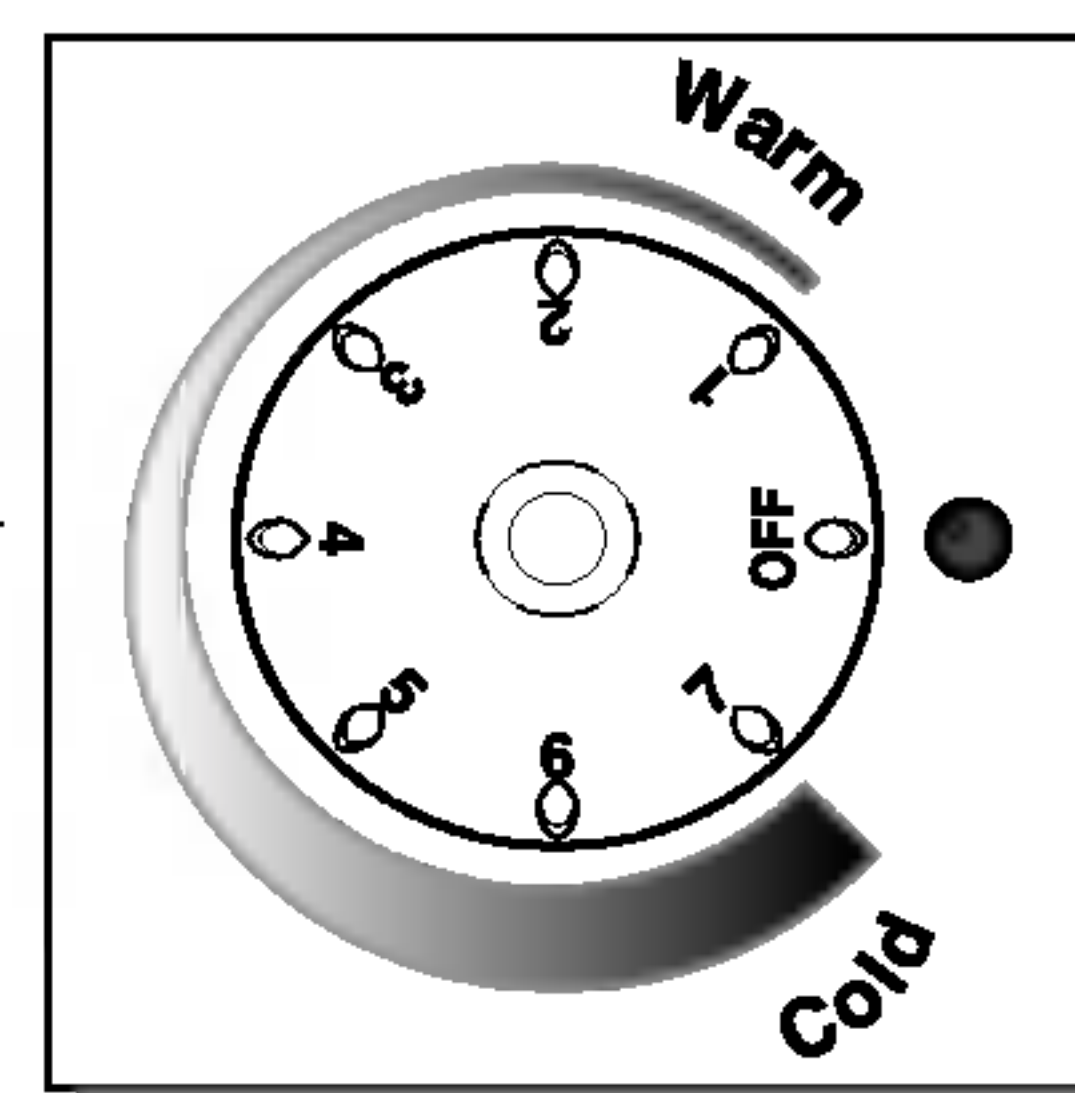
Przedział chłodni w kapniku polewają zgiełk musi dokładna instalacja przychodzenie z ściennym kontaktem.

Temperatura w mrożonym towarze bardziej kierująca przepisowa chłodnia przedział OFF, 1, 2, 7 pokazania. Mrożona zdolność przedziału chłodni będzie wprowadzana na urząd w 4 albo wyżej jest 2 gwiazdami, jadło może zapas jak dopokąd 1 miesiące.

Początek chłodnej składowej sali zmarznie ochładzany od powietrza przedziału chłodni.

**Zbyt ciepły**

Wzdłuż ręki godziny, obrotu temperatura bardziej kierująca, wartość instalacja do chłodniejszej instalacji (wyżej palcowa instalacja wartość).



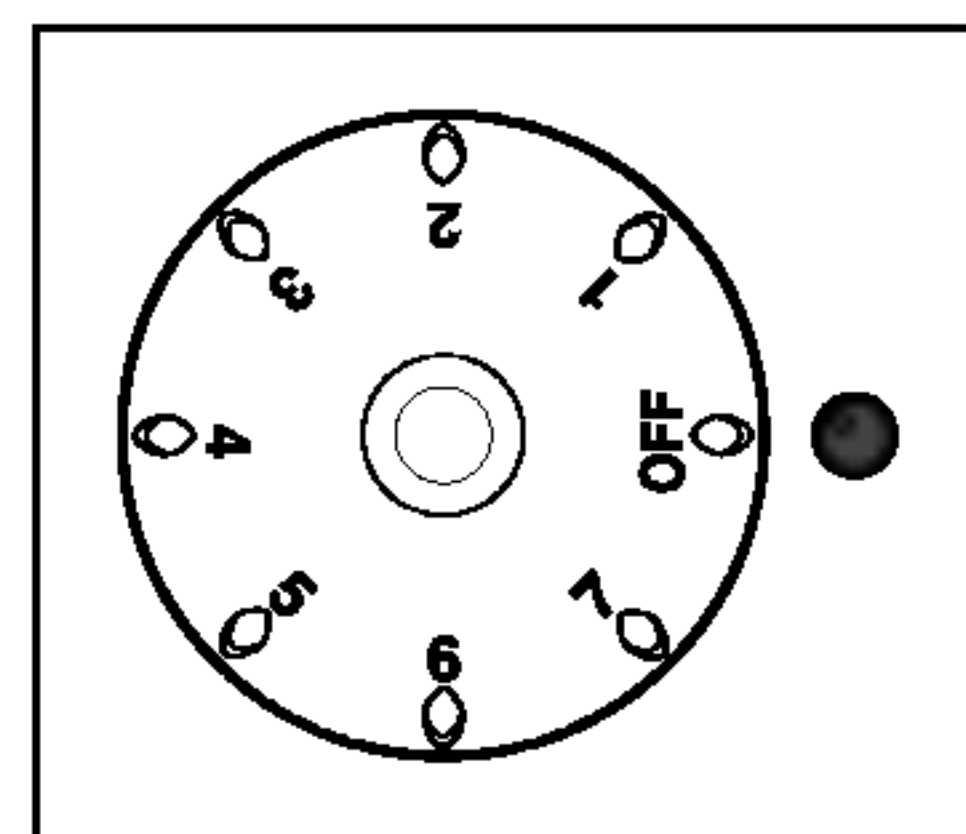
**Zbyt zmarznie**

Contvalp kolejno temperatura bardziej kierująca wartość instalacja bardziej dogrzać instalację, (bardziej nisko palcowa instalacyjna wartość)

**Według pokojowej temperatury i rozmieszczenia chłodni, z chłodnią drzwiowa otwarta ta częstość instalacja temperatura bardziej kierująca.**

## Wykluczenie mróz

- Żeby zapewnić skuteczne działanie waszej chłodni, jest potrzebny jednostajnie poza mrozem. Przed tym, jak wykluczać parownik mrozu superficial mróz nie musi przewyższyć 6 mm.
- **Żeby wykluczyć mróz, będzie bardziej kierujący obrót 'OFF'**
- Przed tym, jak rozpocząć się operować poza mrozem, od parownika, wybierają jadło, wtedy kładą to w ochłodzie miejsce albo inna chłodnia. Ocie, polewają zgiełk organizują w jego właściwym rozmieszczeniu.
- Jeśli zawierają odgryźć butelkę wody, wprawiany przedział chłodni, może skrócić poza mrozem czas.
- Kiedy dokompletowały wykluczą mróz, ociekną, polewają zgiełk wybierają, polanie polewają, czochrają pień i będą to kładło jego normalne rozmieszczenie nazad. Obrót bardziej kierująca tarcza, odchodzenie do temperatury iż będzie błagane.



Kapary

Nie może użyć jakiegoś ostrego metalowego sprzętu absolutnie, od parownika jedyna glazura, mróz albo lód.

## Zaopatrzenie jądło

- W aspekcie utrzymującego świeży smak stopnia miękkiego miału koksowy jądła, jak żeby namarznąć i odmarzać, jądło jest ważnym czynnikiem.
- Nie zaopatrzenie pod basową temperaturę zostać odpoczynkiem, jądło to jedzie kiepskie taki jako banan, as i muskmelon.
- Jeśli robić gorące jądło chłodne na dół po pierwsze przed płotem. Przyprzężcie odchodzenie do zbyt dużo dogrzewają odchodzenia jądła do chłodni w uszkodzą inne pokarmy, i powodują wysoką elektryczność ładunki.
- Nie otwórzcie chłodnię drzwi zbyt i wieloraoado. Jak dopokąd chłodnia drzwi otwarte, ciepłe powietrze wciągnie chłodnię, powodując temperaturę powstanie.

## Przedział chłodni

- Nie zaopatrzenie butelkę na mrożonym pokoju, póki marzną oni mogą przyjść.
- Jądło iż nie chcą zostać mrożone znowu do już rozpuszczały dokumentnie. To spowoduje smak i pokarm wartość straty.

## Chłodna składowa sala

- Póki zapas, obwijają jądło w filmie etylenu, apposition w tym zbiornika ma kapę wewnątrz w domu. Głodne zawilgocenie iż może przychodzi od żeby ulecieć, przyczyniają się jądła zachować jego smak i składy pokarmu.
- Zanim refrigerate musi zawsze obmieść jądło. Roślina i plon musi oczyścić i starcie, fasują jądło i musi wytrzeć czysty, aby zapobiegają wirydarzowi skleją jądło jest odchodzeniem kiepskim.
- Jądło (ryba, kremowy ser, masło...ta.) że ma powonienie musi omotać dokumentnie albo istnieją zbiornik zamykania.

Zauważcie

Kiedy kładą wielką butelkę w produkcie, jeśli farwater drzwi albo otwierają drzwi zrobić wysiłek też, ta butelka może spaść brzdęknięcie, przeto musi oszczędzić.



## Generał wiedza

### Pogaśnijcie

Kiedy wy planujecie ubyc dłuŝszy i okres, proszę wybierajcie całe pokarmy, złamanie otworzyć moc lina, mieciecie wewnętrzną część doskonale, i pozwalacie drzwiowe odemknięcie, aby zapobiegacie stworzeniu dziwne powonienie.

### Złamcie nowość

Najbardziej dostarczyć energii elektrycznej brak breakdowns by instauration w godzinkach, nie obchodzą temperatury waszej chłodni. Ale, wy musicie otworzyć liczbę czasu trwania drzwi zredukować podczas okresu braku mocy minimalnej. Bilansując żeby pociąć moc z długimi godzinkami, kładziony kawał suchego lodu na was mrożone pakowanie obejmiecie.

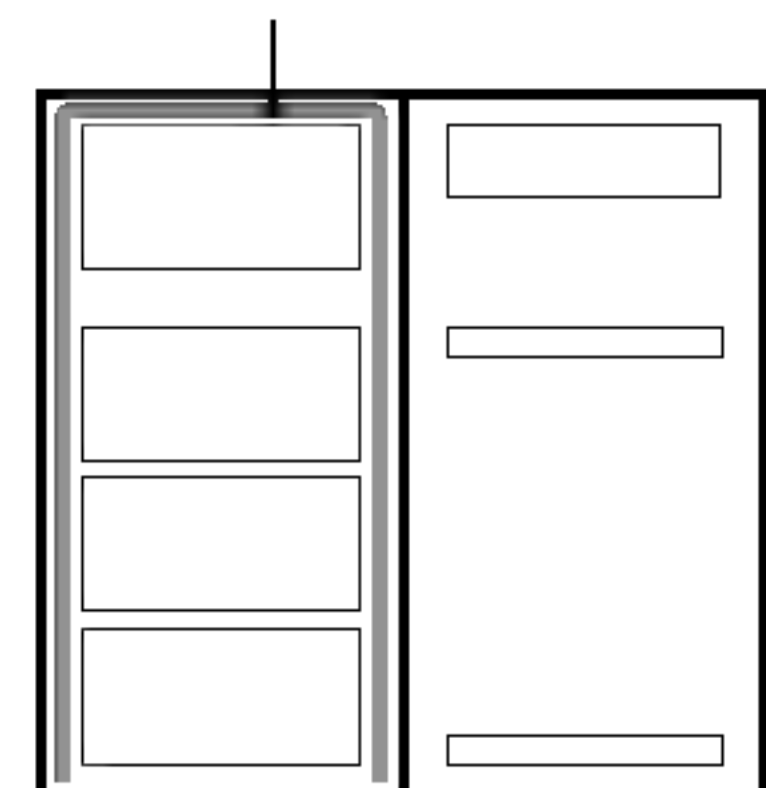
### Jeśli wy ruszycie

Wybierajcie całe wyroby wewnątrz w domu chłodnia albo przytwierdzają wszystko luźnego produktu bez szwanku dobrego. W rzędzie nie uszkodzić rozsądzić równą strzałę, zawirują do oni do dołu dokumentnie.

### Bijatyka kondensacja rurka

- Zakrzepnięta rura tego anti-wprowadza na urząd w chłodni poza bokiem oziębienia boks aby zapobiegają węzłowi.
- Jest po wprowadzają na urząd szczególnie albo kiedy temperatura owinięcia bardzo wysoka, chłodnia boks oziębienia może dotyk do góry odczuwają upał, to jest normalno.

#### Bijatyka kondensacja rurka





## Zmiana lekka bulwa

### ▲ Ostrzeżenie

Wyciągnijcie od zamian na drugą ścienny elektryczny wylot moc lina.

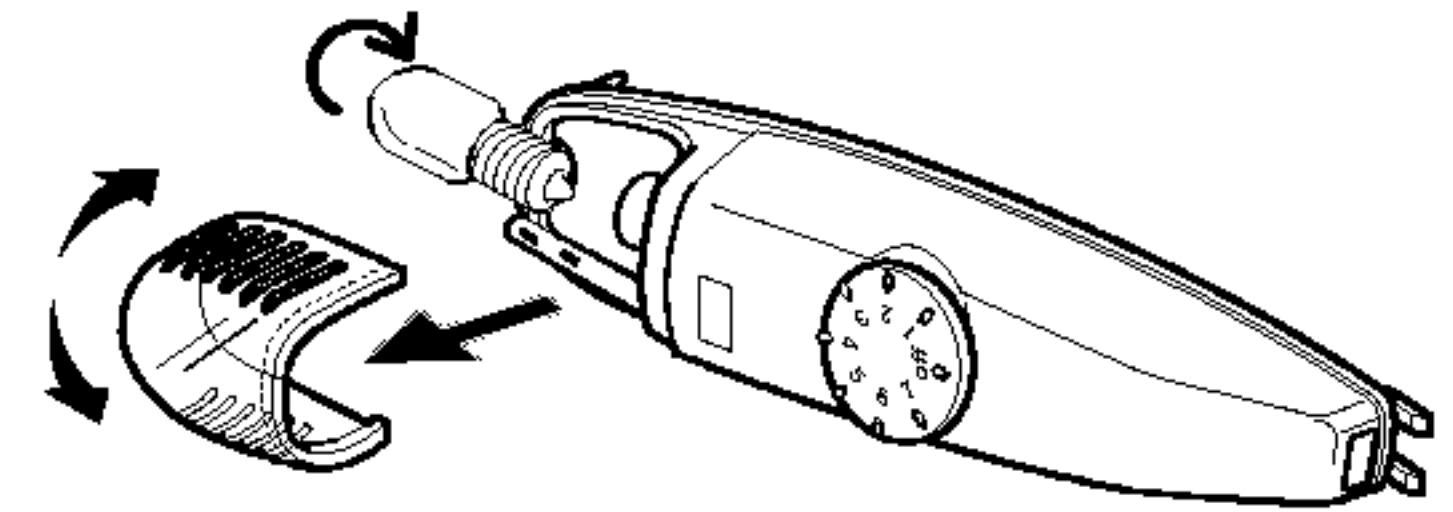
1. Operujcie dla poręczności, rozbierają półmisek kropli wody i układają się.

2. Potrzyjcie obciśle lampshade, kordonek ruszyć do góry i mech to rozebrać do góry od termostatu zewnętrzną powłok.

3. Przecząca ręka godziny kolejno poruczyć bulwę lampy, i doprawiają to.

4. Z rozbierają rozładować przeciwieństwo w właściwym rzędzie włączającym.

Bulwa lampy doprawiają musi zostać z początkowo homologii sprecyzowania.



## Czyszczenie

- Zachowajcie wasze omieczenie chłodni, nie ufajcie iż jakieś dziwne powonieni fisza. Jadło płynu musi omotać bezpośrednio, ponieważ to może pójść kwaśne i kombinują plastików skażenia powierzchnia.
- Absolutnie nie może wytrzeć metali rozwinąć film, szczotka, grube starcie wymyć albo silne zasady do używanej dla jakiejś powierzchni.
- Zanim wy odbywacie omieczenie, pamiętany wilgotny produkt i skleji zimno powierzchniowe w powierzchniowości. Nie użyjcie wilgotne oziębienie dotyka ręki powierzchnia.

### Zewnętrzny

Użyjcie znosząci głąby tamtej wazeliny albo malutkiej aqua środków czyszczące omieczenie wasza chłodnia. Obmiećcie z plackiem, starciem zaparzaczką, wtedy wycierają pień.

### Wewnętrzny

Zaproponujcie okresowo obmiećcie wewnętrzną część i wewnętrzną stroną inną stroną. Złamcie żeby otworzyć moc lina, wybierajcie jadło i układają się, półmisek ta. Wymyćcie żeby rozdzielić pokój i układają się, półmisek etc. Z sodem bicarbonate aqua.

**Przed prośbą utrzymać służbę, kontentego szacha ten stół. To może oszczędzić wasz czas i koszt. Ten stół 3 włączają nie te elektryczne przyrządy fabryczna rzemieślnicza albo materialna ostatnia jakaś znajoma problematyka to szpecą powód.**

Wadę

Możliwy powód

**Chłodnia - mrożony wypadek nie pracują,**

- **Moc dostarczają zatykają możliwość jest od AC wylotu w została wysunięciem.**

Wstawcie pewno to.

- **Rodzina-korzyść bezpiecznik spalony na zewnątrz albo elektryczny siekacz obchodzenia forsują luk.** Szach kombinują/albo doprawiają rozłożyć jedwab i repchają do góry elektryczny siekacz obchodzenia

- **Chłodnia i pewien**

Grób rezygnować możliwy świst pod kątem

**Wibracja, alborobią głośny albo niezwykły hałas**

- **Rata od chłodzenie albo chłodnia chłodzenie ten pudło jest staż nietrwały. Obracać wobec uregulować ten wyrównywać zamykać na zasuwę wobec zrobić jego wypoziomować**

W ten chłodnia ten chłodzenie droga polna w tył umieszczony ten niepotrzebny sprzeciwić się.

- **Ten drzwi maj być drobny wobec otworzyć od.**

**Lodowacenie lód albo mróz na jadle**

- **Albo ten pakiet pakunek wobec popychać otworzyć drzwi, du wieloraki albo.**

- **Di pakiet pakunek wewnątrz od mróz jest noirimalny.**

- **Dowodzić ten dawno od dać powód doz.**

**Oprawa powierzchnia polewają gniewną generację**

- **Tasu fenomen maj zdarzać się w wilgoć przestrzeń.** Wipeni rezygnować pewien Pacoo od i suszyć ręcznik.

Wadę

Możliwy powód

**Wyeliminujcie wadę okres**

- **Zbyt często albo odemknięcie po epistole czasowe drzwi.**
- **W wilgotnej porze, kiedy odemknięcia drzwi, powietrze z wilgocią wchodzi chłodnia.**

**Zbierać ita dział**

- **Jadło z silnym powonieniem musi być dodane rygorystycznie, jest nakrywane albo jest obwijane.**
- **Zbadajcie septyczne jadło.**
- **Wewnątrz w domu potrzeba.**

Widzą Czyszczenie

**Wydziałowe oświetlenie nie obróbcie**

- **Korek szczytu ściany tonie nowość**
- **Lekka potrzeba bulwy zostać zmieniona**

Widzą Zmiana świetlanego bulwy



## Ostrzeżenie

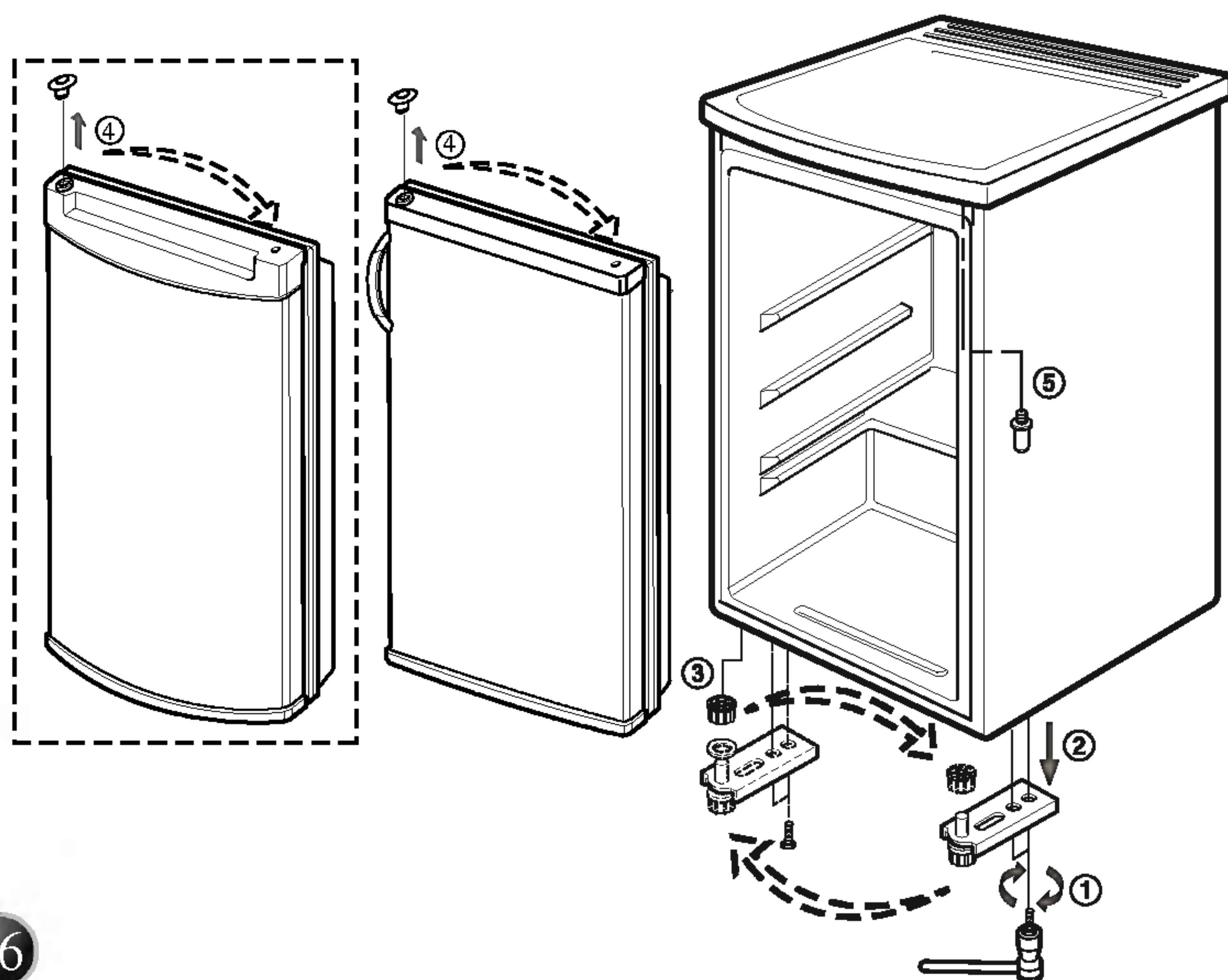
## Jak żeby obrócić drzwi owszem

To może obrócić drzwi owszem, jest takie jeśli wasza chłódnia została zaprojektowana, wy możecie otworzyć od zostawego boku albo prawego boku. Ponieważ później robią znowu niewygodny, najbardziej ustawi znowu według wymagania na początku zawias drzwi.

Zmie drzwiowy zawias, zapytanie zobaczyć figurę poniżej i świecą, następujące odchodzenie dalejże.

1. Od chłódni, wybierają całe luźne kuriery.
2. Kładziona chłódnia ostrożnie polać plecy, chude na jego dalekim pakowaniu.
3. Używając podkowę albo spanner pokrętnej siły pierwsze spanner dylematy albo rozładowuje strzałę.

1. Obrót tuis strzały ①, wtedy rozładowują zawias (L) ②.
2. Rozładujcie LEG ③
3. Ciągnijcie drzwi lekko downward, rozładowują to.
4. Farwater przed tym, jak fasować drzwi znowu ④, będzie zawiasowy kapelusz od tego potoczny naciąg rozmieszczenia, i będzie to położenie znowu w innym boku drzwi, musi oszczędzić w wyładowaniu zawiasowy kapelusz nie uszkodzą graniczącej powierzchni.
5. Skręćcie górny zawias zaprzedać się, (U) ⑤, i będzie to zaciągnięcie kordonka dla chudego otworu.





## Jak żeby obrócić drzwi owszem

6. Użyjcie dwa strzały stadniny stao do boku niższa część pintle (L).
7. Ciężka bela adjustable strofa dót feet taki jako pintle (L) wewnątrz w domu, regulują to dookoła 20 mms.
8. Miejsce iż elektryczne przyrządy ostrożnie w pionowym położeniu. Zróbcie z tł adjustable strofą dót feet że elektryczne przyrządy nie chcecie wibrację, i kontrolują drzwi mogą dokładność otwarta zamknąć.

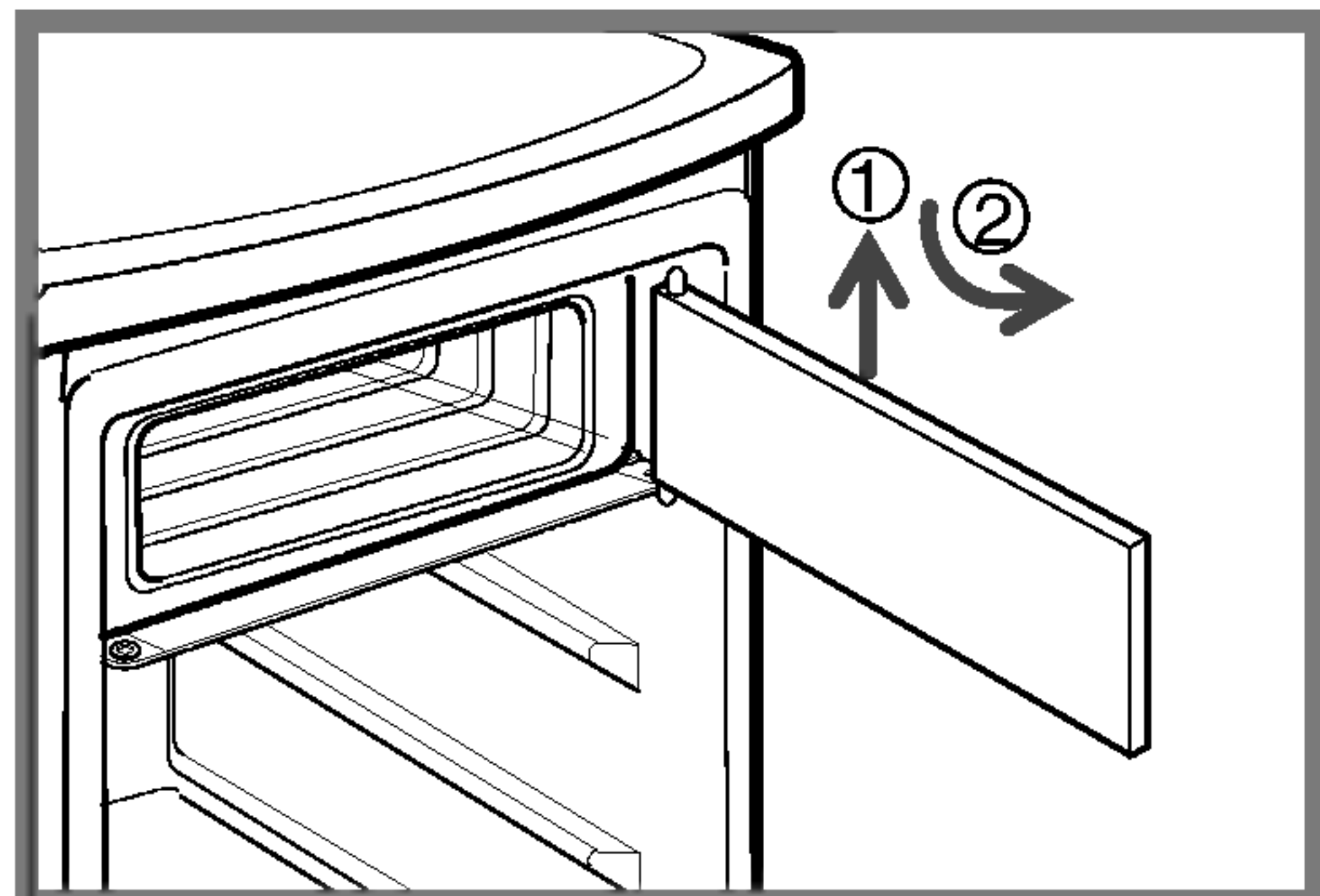
### Zauważcie

Możecie skapotować drzwi na zapożyczeniu, i kiedy wy używana cielna dint przechodzie drzwi, może pogodzić okoliczność że drzwi nie mogą zamknąć gwoli opowiadaniu odrzutu.

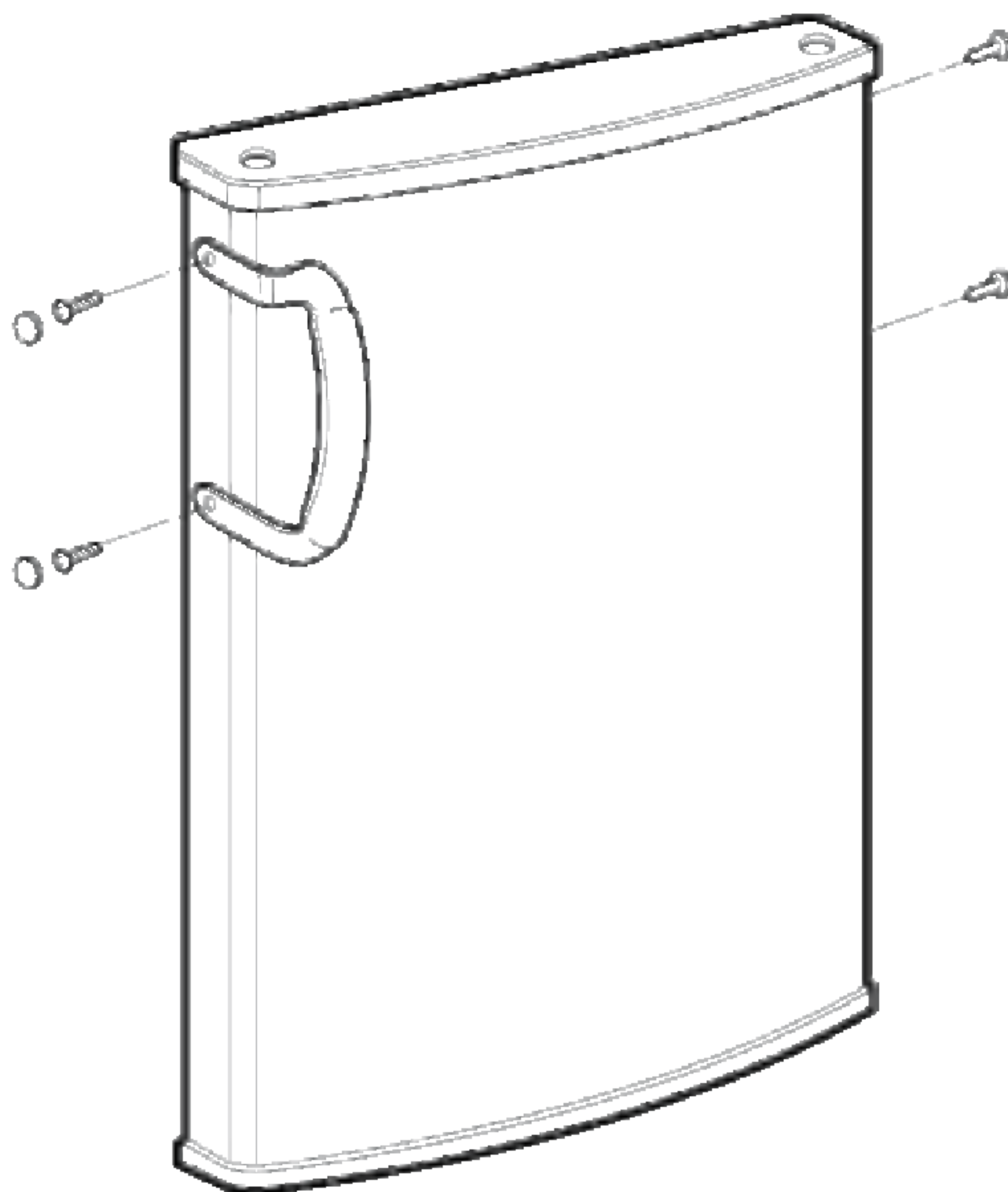
## Jak verte obrócić parownik drzwi

Póki relocate pintle chłodni, dla poręczności' względ, wy musicie wciąż przesiąć się pintle mrożonego pokoju drzwi. Proszę zapłaćcie związki do wykresu i naciskają powiedzieć odbywajcie:

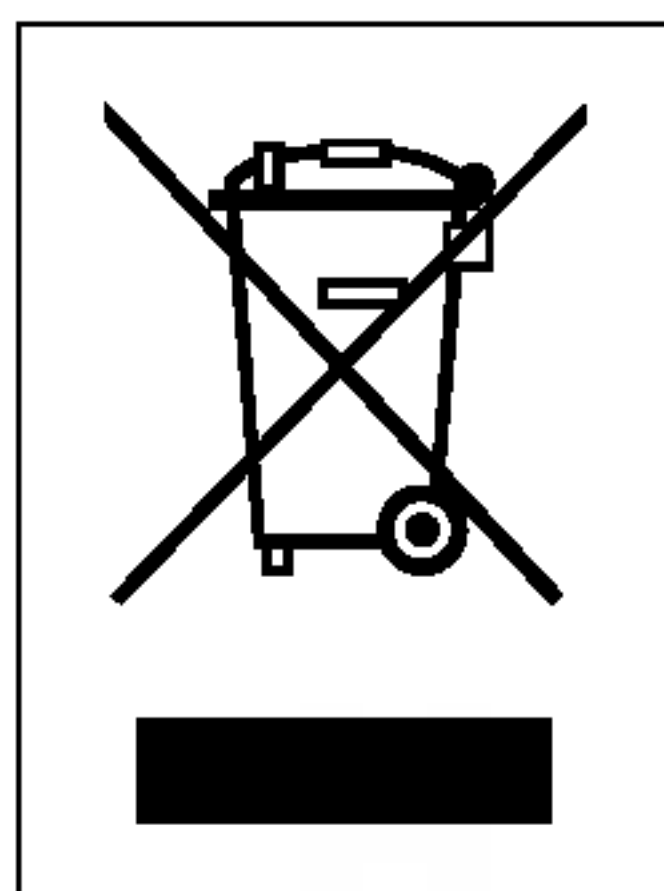
1. Otwarty wyparować maszynowe drzwi, zatrzymują się obciśle dolny bok wyparowują maszynowe drzwi.
2. Wychowywać kapeczkę to wybierać naprzód.
3. Wypar pokojowe drzwi obrócić się 180 stopni, i wstawiają pierwsze to do w wydała się boku korona, wtedy wciągają dolny bok wydała się.
4. Szach wyparowują pokój drzwi czy prawe włączajáci.



## Uchwyt drzwi (Option)



### Utylizacja starych urządzeń



1. Kiedy do produktu dołączony jest niniejszy przekreślony symbol kołowego pojemnika na śmieci, oznacza to, że produkt jest objęty dyrektywą 2002/96/EC.
2. Wszystkie elektryczne i elektroniczne produkty powinny być utylizowane niezależnie od odpadów miejskich, z wykorzystaniem przeznaczonych do tego miejsc składowania wskazanych przez rząd lub miejscowe władze.
3. Właściwy sposób utylizacji starego urządzenia pomoże zapobiec potencjalnie negatywnemu wpływowi na zdrowie i środowisko.
4. Aby uzyskać więcej informacji o sposobach utylizacji starych urządzeń, należy skontaktować się z władzami lokalnymi, przedsiębiorstwem zajmującym się utylizacją odpadów lub sklepem, w którym produkt został kupiony.



**LG Electronics Inc.**