



DVD Player

OWNER'S MANUAL

MODEL: DZ9511E/DZ9711E



Before connecting, operating or adjusting this product, please read this instruction booklet carefully and completely.

P/NO : 3834RD0045H

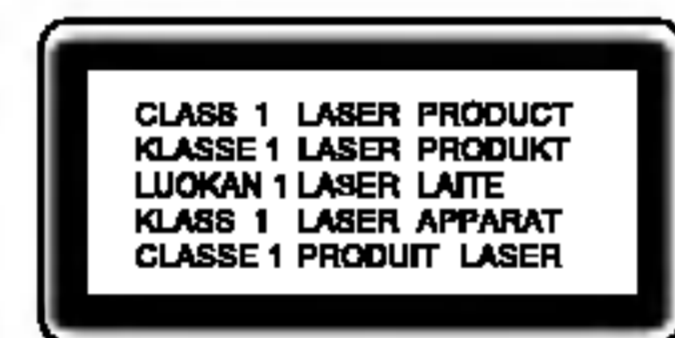
Safety Precautions



CAUTION: THESE SERVICING INSTRUCTIONS ARE FOR USE BY QUALIFIED SERVICE PERSONNEL ONLY. TO REDUCE THE RISK OF ELECTRIC SHOCK DO NOT PERFORM ANY SERVICING OTHER THAN THAT CONTAINED IN THE OPERATING INSTRUCTIONS UNLESS YOU ARE QUALIFIED TO DO SO.



Caution: The apparatus should not be exposed to water (dripping or splashing) and no objects filled with liquids, such as vases, should be placed on the apparatus.



CAUTION: This product employs a Laser System. To ensure proper use of this product, please read this owner's manual carefully and retain for future reference. Should the unit require maintenance, contact an authorized service center. Use of controls, adjustments, or the performance of procedures other than those specified herein may result in hazardous radiation exposure. To prevent direct exposure to laser beam, do not try to open the enclosure. Visible laser radiation when open. **DO NOT STARE INTO BEAM.**



WARNING: Do not install this equipment in a confined space such as a bookcase or similar unit.

CAUTION concerning the Power Cord

Most appliances recommend they be placed upon a dedicated circuit; That is, a single outlet circuit which powers only that appliance and has no additional outlets or branch circuits. Check the specification page of this owner's manual to be certain.

Do not overload wall outlets. Overloaded wall outlets, loose or damaged wall outlets, extension cords, frayed power cords, or damaged or cracked wire insulation are dangerous. Any of these conditions could result in electric shock or fire. Periodically examine the cord of your appliance, and if its appearance indicates damage or deterioration, unplug it, discontinue use of the appliance, and have the cord replaced with an exact replacement part by an authorized servicer.

Protect the power cord from physical or mechanical abuse, such as being twisted, kinked, pinched, closed in a door, or walked upon. Pay particular attention to plugs, wall outlets, and the point where the cord exits the appliance.


SERIAL NUMBER: The serial number is found on the bottom of this unit. This number is unique to this unit and not available to others. You should record requested information here and retain this guide as a permanent record of your purchase.

Model No. _____

Serial No. _____

Table of Contents

Introduction

Safety Precautions	2
Table of Contents	3
Before Use	4-5
Symbol used in this Manual	4
About the  Symbol Display	4
Notes on Discs	4
Remote Control Battery Installation	4
Maintenance and Service	5
Types of Playable Discs	5
Front Panel	6
Remote Control	7
Setting up the Player	8-9
DVD Player Connections	8
Audio Connection to Optional Equipment	9

Advanced Operations

General Features	10-16
On-Screen Display	10
Moving to another CHAPTER/TRACK	10
Slow Motion	10
Title Menu	10
Disc Menu	10
Changing the Audio Language	10
Search	10
Still Picture and Frame-by-Frame Playback	10
Marker Search	11
Repeat A-B	11
Repeat	11
Random	11
Zoom	12
Camera Angle	12
Subtitles	12
Changing the Audio Channel	12
Last Scene Memory	12
Screen Saver	12
System Select	12

Playing an Audio CD and MP3/WMA Disc	13
MP3 / WMA disc compatibility with this player is limited as follows	13
Audio CD and MP3/WMA Disc Features	14
• Pause	14
• Moving to another Track	14
• Random	14
• Repeat Track/ All/ Normal	14
• Repeat A-B	14
• Search	14
Viewing a JPEG disc	15
• Moving to another File	15
• To rotate picture	15
• Still Picture	15
• Zoom	15
• JPEG disc compatibility with this player is limited as follows	15
Programmed Playback	16
• Erasing a Track from program list	16

Initial Settings

Initial Settings	17-22
General Operation	17
LANGUAGE	17
DISPLAY	18
AUDIO	19
LOCK (Parental Control)	20-21
OTHERS	22

Reference

Additional Information	23
Controlling other TVs with the remote control	23
Troubleshooting	24
Language Codes	25
Area Codes	26
Specifications	27

Before Use

To ensure proper use of this product, please read this owner's manual carefully and retain for future reference.

This manual provides information on the operation and maintenance of your DVD player. Should the unit require service, contact an authorized service location.

Symbol Used in this Manual



The lightning flash symbol alerts you to the presence of dangerous voltage within the product enclosure that may constitute a risk of electric shock.



The exclamation point alerts you to the presence of important operating and maintenance / servicing instructions.



Indicates hazards likely to cause harm to the unit itself or other material damage.

DVD DVD and finalized DVD±R/RW

VCD Video CDs.

CD Audio CDs.

MP3 MP3 discs.

WMA WMA discs.

JPEG JPEG discs.

NOTE


Indicates special notes and operating features.

TIP

Indicates tips and hints for making the task easier.

A section whose title has one of the following symbols is applicable only to the disc represented by the symbol.

About the Symbol Display

“  ” may appear on your LCD display during operation and indicates that the function explained in this owner's manual is not available on that specific DVD video disc.

Notes on Discs

Handling Discs

Do not touch the playback side of the disc. Hold the disc by the edges so that fingerprints do not get on the surface. Never stick paper or tape on the disc.

Storing Discs



After playing, store the disc in its case. Do not expose the disc to direct sunlight or sources of heat and never leave it in a parked car exposed to direct sunlight.

Cleaning Discs

Fingerprints and dust on the disc can cause poor picture quality and sound distortion. Before playing, clean the disc with a clean cloth. Wipe the disc from the center out.

Do not use strong solvents such as alcohol, benzine, thinner, commercially available cleaners, or anti-static spray intended for older vinyl records.

Remote Control Battery Installation

Detach the battery cover on the rear of the remote control, and insert two batteries (size AAA) with  and  aligned correctly.

Before Use (Continued)

Maintenance and Service

Refer to the information in this chapter before contacting a service technician.

Handling the Unit

When shipping the unit

Please save the original shipping carton and packing materials. If you need to ship the unit, for maximum protection, re-pack the unit as it was originally packed at the factory.

Keeping the exterior surfaces clean

- Do not use volatile liquids such as insecticide spray near the unit.
- Do not leave rubber or plastic products in contact with the unit for a long period of time, since they leave marks on the surface.

Cleaning the unit

To clean the player, use a soft, dry cloth. If the surfaces are extremely dirty, use a soft cloth lightly moistened with a mild detergent solution.

Do not use strong solvents such as alcohol, benzine, or thinner, as these might damage the surface of the unit.

Maintaining the Unit

The DVD player is a high-tech, precision device. If the optical pick-up lens and disc drive parts are dirty or worn, the picture quality could be diminished.

Depending on the operating environment, regular inspection and maintenance are recommended after every 1,000 hours of use.

For details, please contact your nearest authorized service center.

Types of Playable Discs

This unit plays DVD, Video CD, Audio CD, DVD±R, DVD±RW, SVCD, and CD-R or CD-RW that contains audio titles, MP3, WMA or JPEG files.

Manufactured under license from Dolby Laboratories. “Dolby”, “Pro Logic”, and the double-D symbol are trademarks of Dolby Laboratories.

DTS and DTS Digital Out are trademarks of Digital Theater Systems, Inc.

NOTES

- Depending on the conditions of the recording equipment or the CD-R/RW (or DVD±R/±RW) disc itself, some CD-R/RW (or DVD±R/±RW) discs cannot be played on the unit.
- Do not attach any seal or label to either side (the labeled side or the recorded side) of a disc.
- Do not use irregularly shaped CDs (e.g., heart-shaped or octagonal) since they may result in malfunctions.

Notes on DVDs and Video CDs

Some playback operations of DVDs and Video CDs may be intentionally programmed by software manufacturers. This unit plays DVDs and Video CDs according to disc content designed by the software manufacturer, therefore some playback features may not be available or other functions may be added.

Regional code

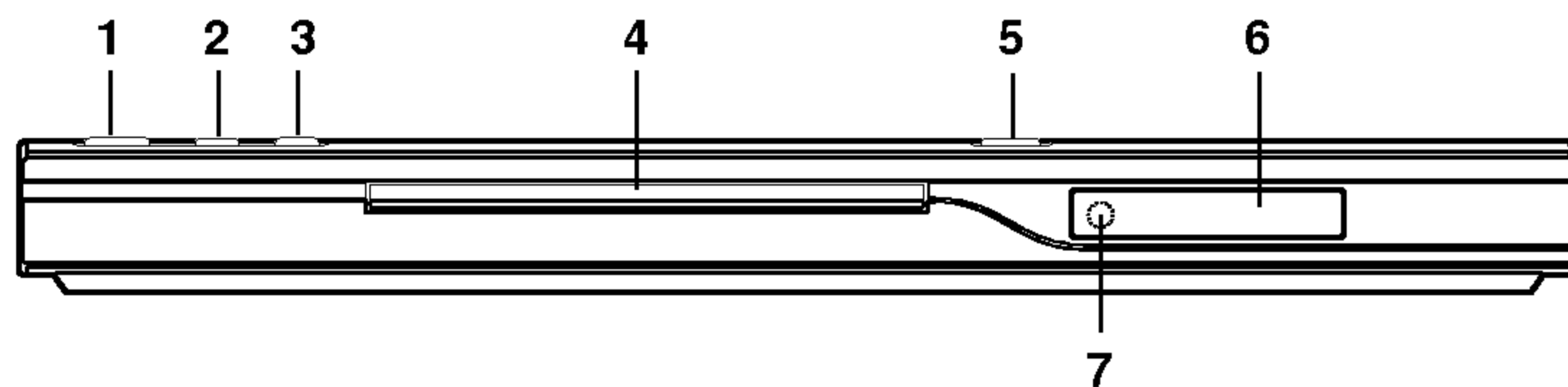
This DVD player is designed and manufactured for playback of region “5” encoded DVD software. This unit can play only DVD discs labeled “5” or “ALL”.

If you try to play a DVD with a different region code from your player, the message “Check Regional Code” appears on the TV screen.

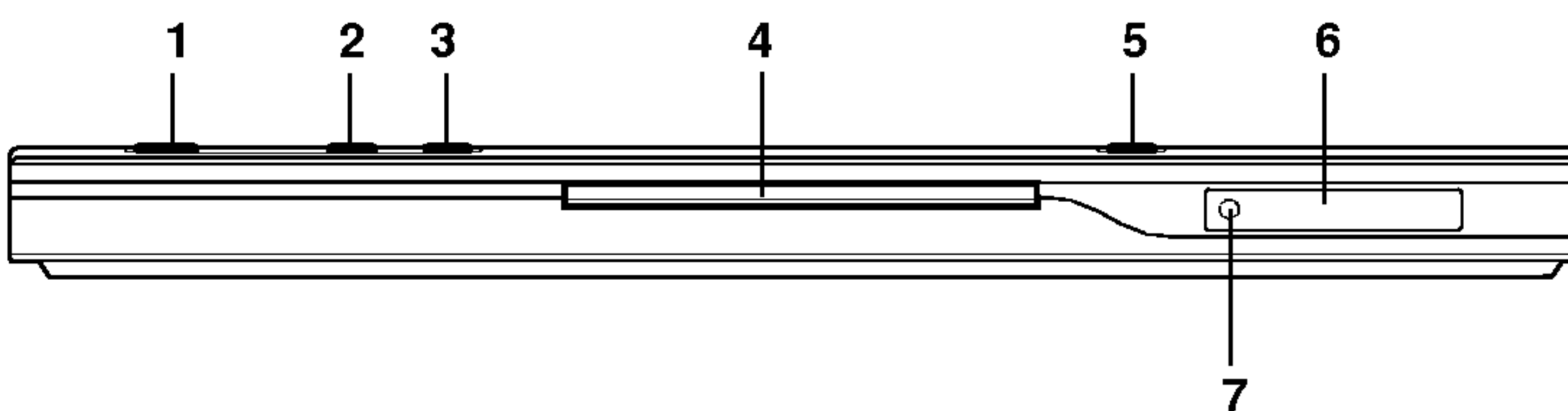


Front Panel

DZ9511E

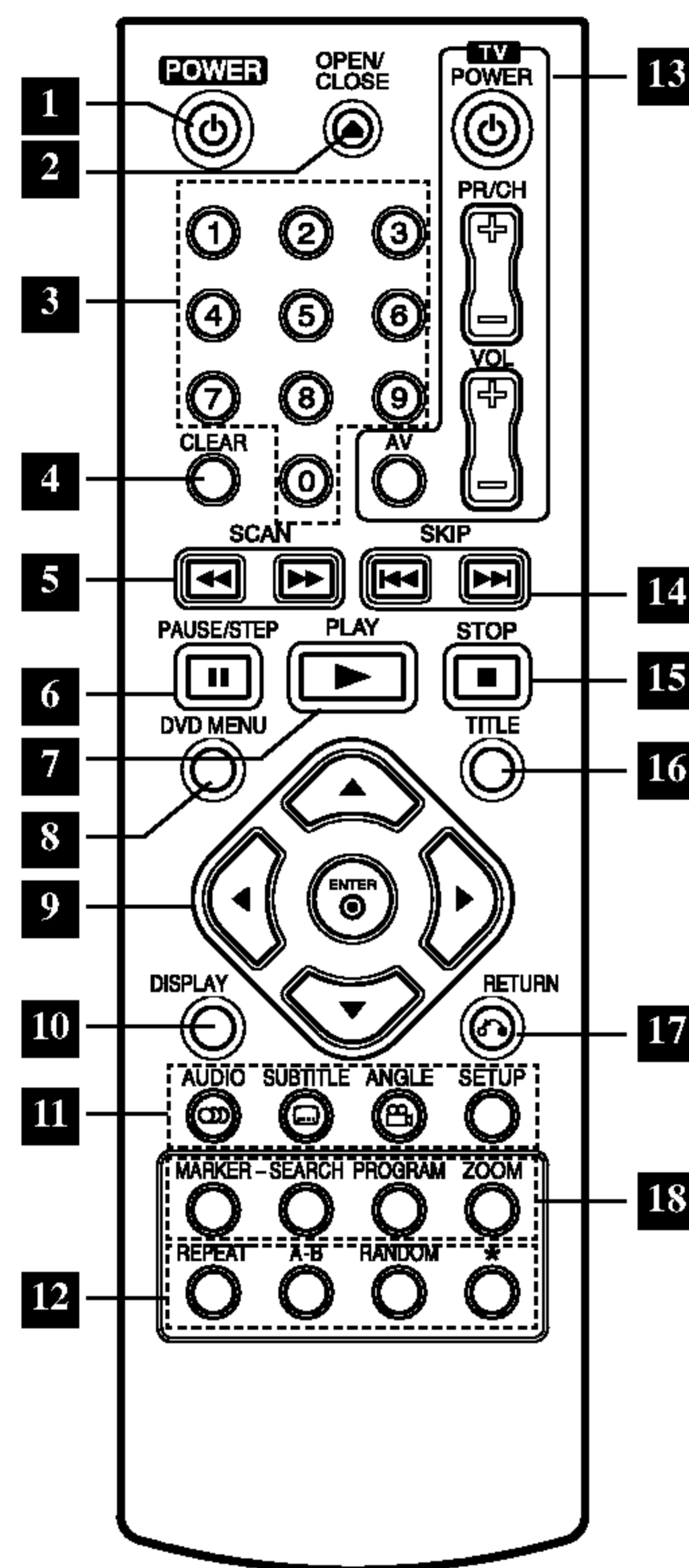


DZ9711E



- 1. POWER**
Switches the player ON and OFF.
- 2. PLAY (▶)**
Starts playback.
- 3. STOP (■)**
Stops playback.
- 4. Disc Tray**
Insert a disc here.
- 5. OPEN / CLOSE (▲)**
Opens or closes the disc tray.
- 6. Display window**
Shows the current status of the player.
- 7. Remote Sensor**
Point the DVD Player remote control here.

Remote Control



- 1 POWER**
Switches DVD Player ON and OFF.
- 2 OPEN / CLOSE**
Opens and closes the disc tray.
- 3 0-9 number buttons**
Selects numbered items in a menu.
- 4 CLEAR**
Removes a track number on the Playlist or a mark on the MARKER SEARCH menu.
- 5 SCAN (◀▶ / ▶▶)**
Search backward or forward.
- 6 PAUSE / STEP (||)**
Pauses playback temporarily/ press repeatedly for frame-by-frame playback.
- 7 PLAY (▶)**
Starts playback.
- 8 DVD MENU**
Accesses menu on a DVD disc.
- 9 • ◀▶▲▼ (left/right/up/down)**
Selects an item in the menu.
- ENTER**
Confirms menu selection.

- 10 DISPLAY**
Accesses On-Screen display.
- 11 • AUDIO**
Selects an audio language (DVD).
- SUBTITLE**
Selects a subtitle language.
- ANGLE**
Selects a DVD camera angle if available
- SETUP**
Accesses or removes setup menu.
- 12 • REPEAT**
Repeat chapter, track, title all.
- A-B**
Repeat sequence.
- RANDOM**
Plays tracks in random order.
- ***
This button is not available.
- 13 TV Control Buttons**
- TV POWER:**
Turns the TV on or off.
- TV PR/CH +/-:**
Selects TV's channel.

- TV VOL +/-:**
Adjusts TV's volume.
- AV:**
Selects the TV's source.
- 14 SKIP (◀◀ / ▶▶)**
Go to next chapter or track.
Returns to beginning of current chapter or track or go to previous chapter or track.
- 15 STOP (■)**
Stops playback.
- 16 TITLE**
Displays title menu, if available.
- 17 RETURN**
Removes the setup menu, displays the video CD with PBC.
- 18 • MARKER**
Marks any point during playback.
- SEARCH**
Displays MARKER SEARCH menu.
- PROGRAM**
Places a track on the program list.
- ZOOM**
Enlarges video image.

Setting up the Player

DVD Player Connections

Depending on your TV and other equipment there are various ways you can connect the player. Please refer to the manuals of your TV, stereo system or other devices as necessary for additional connection information.

Video and Audio Connections to Your TV

Make sure the DVD player is connected directly to the TV and not to a VCR, otherwise the DVD image could be distorted by the copy protection system.

Video: Connect the VIDEO OUT jack on the DVD player to the video in jack on the TV using the video cable (V).

SCART connection: Connect the TO TV scart jack on the DVD Player to the corresponding in jacks on the TV using the scart cable (T).

Component Video (Color Stream®): Connect the COMPONENT VIDEO OUT/PROGRESSIVE SCAN jacks on the DVD Player to the corresponding in jacks on the TV using an Y Pb Pr cable (C).

Audio Connection to Your TV:

Connect the left and right AUDIO OUT jacks of the DVD Player to the audio left and right IN jacks on the TV (A) using the audio cables. Do not connect the DVD Player's AUDIO OUT jack to the phone in jack (record deck) of your audio system.

Caution

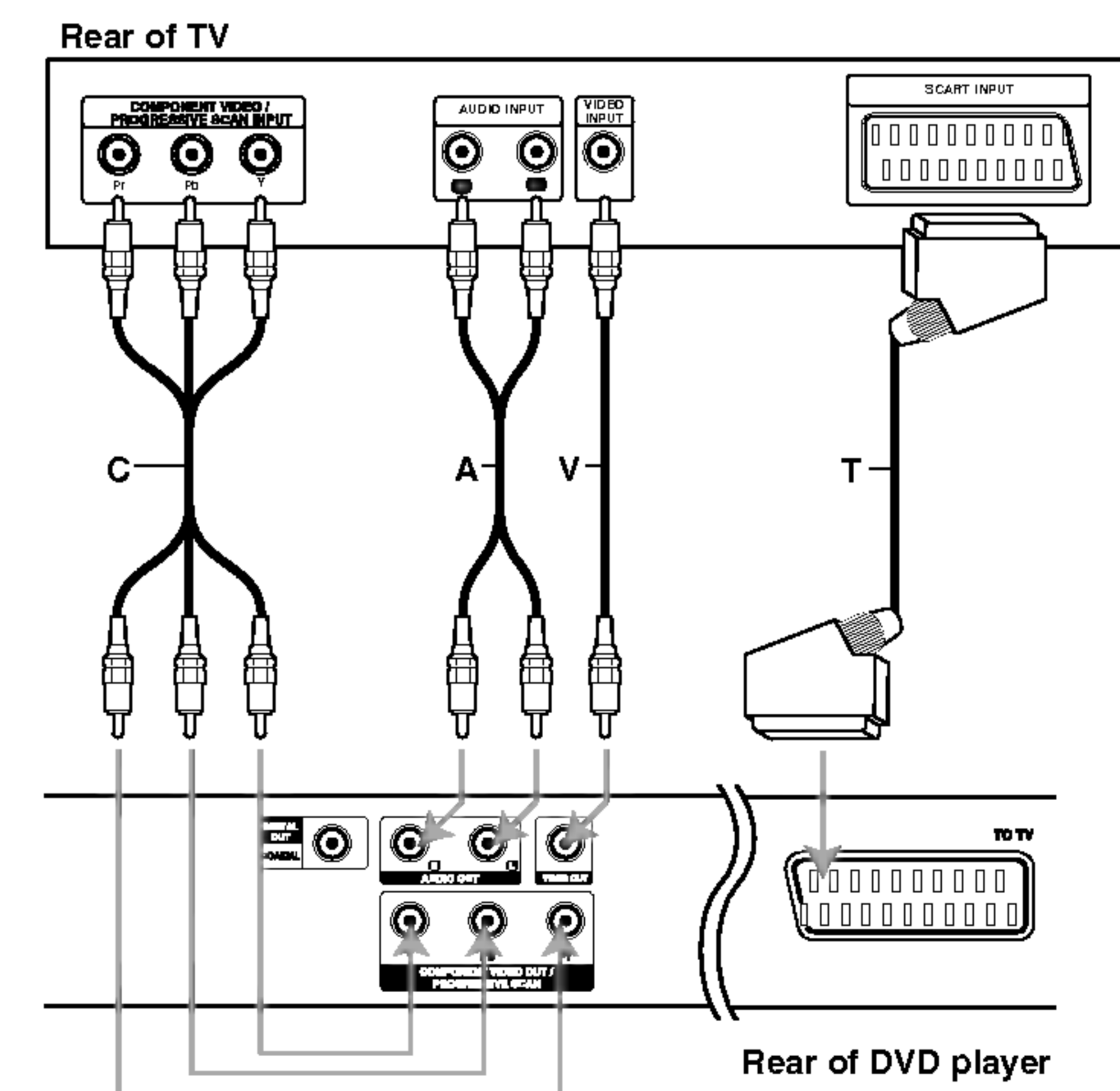
You must set the TV Output Select option to use COMPONENT VIDEO OUT/PROGRESSIVE SCAN and SCART jacks.
(See "TV Output Select" on page 18.)

Progressive Scan (ColorStream® pro):

- If your television is a high-definition or "digital ready" television, you may take advantage of the DVD Player's progressive scan output for the highest video resolution possible.
- If your TV does not accept the Progressive Scan format, the picture will appear scrambled if you try Progressive Scan on the DVD Player.

NOTES

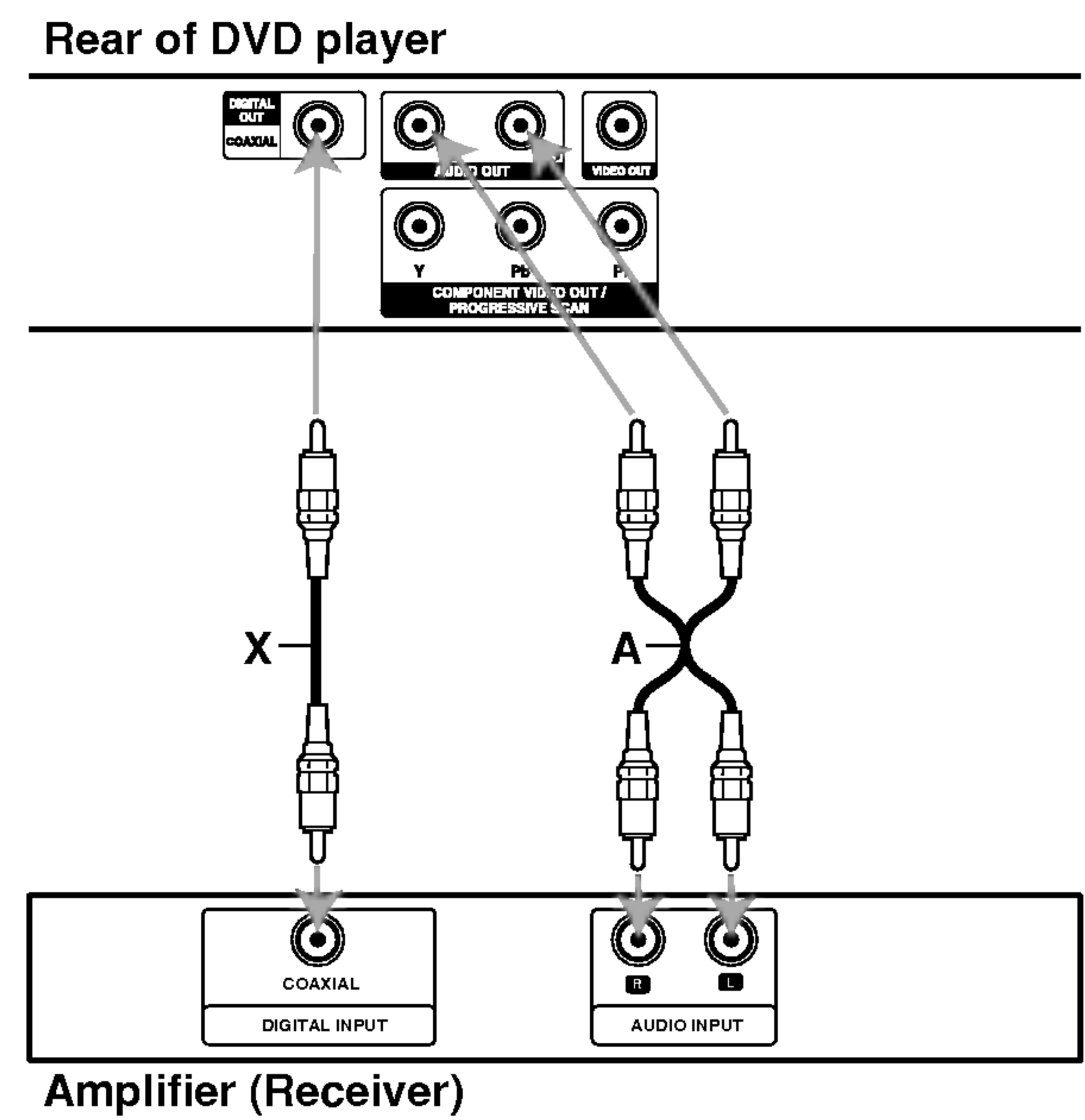
- Set the Progressive to "On" on the setup menu for progressive signal, see page 18.
- Set the progressive to "Off" by removing any disc from the unit and close the disc tray. see that "no disc" is displayed on the display window. Then press STOP and hold it for five seconds before releasing it.
- Progressive scan does not work with the analog video connections (yellow VIDEO OUT jack).



Setting up the Player (continued)

Audio Connection to Optional Equipment

Connect the DVD player to your optional equipment for audio output.



Amplifier equipped with 2-channel analog stereo or Dolby Pro Logic II / Pro Logic: Connect the left and right AUDIO OUT jacks on the DVD player to the audio left and right IN jacks on your amplifier, receiver, or stereo system, using the audio cables (A).

Amplifier equipped with 2-channel digital stereo (PCM) or audio / video receiver equipped with a multi-channel decoder (Dolby Digital™, MPEG 2, or DTS): Connect one of the DVD Player's DIGITAL AUDIO OUT jacks (COAXIAL X) to the corresponding in jack on your amplifier. Use an optional digital (coaxial X) audio cable.

Digital Multi-channel sound

A digital multi-channel connection provides the best sound quality. For this you need a multi-channel audio / video receiver that supports one or more of the audio formats supported by your DVD player such as MPEG 2, Dolby Digital and DTS. Check the receiver manual and the logos on the front of the receiver.

NOTES

- If the audio format of the digital output does not match the capabilities of your receiver, the receiver produces a strong, distorted sound or no sound at all.
- Six Channel Digital Surround Sound via a digital connection can only be obtained if your receiver is equipped with a Digital Multi-channel decoder.
- To see the audio format of the current DVD in the on-screen display, press AUDIO.

General Features

On-Screen Display **DVD** **VCD**

Some items can be changed using the menu.

1. Press DISPLAY during playback.
2. Press ◀ / ▶ to select an item.
The selected item is highlighted.
3. Press ▲ / ▼ to change the setting.
Press ENTER.
You can also use the number buttons if appropriate
(e.g. inputting the title number).

T 02:04 : Title(Track) Number, **C** 0:09:28 : Time search

ⓐ 02:04 : Chapter Number (DVD disc only)

Moving to another CHAPTER/TRACK **DVD** **VCD**

When a title on a disc has more than one chapter or a disc has more than one track, you can move to another chapter/track as follows:

Press SKIP ◀◀ or ▶▶ briefly during playback to select the next chapter/track or to return to the beginning of the current chapter/track.
Press SKIP ◀◀ twice briefly to step back to the previous chapter/track.

Slow Motion **DVD** **VCD**

1. Press PAUSE/STEP (⏸) during playback.
The player will now go into PAUSE mode.
2. Use the SCAN ▶▶ to select the required speed:
▶▶ 1/16, ▶▶ 1/8, ▶▶ 1/4, or ▶▶ 1/2 (forward).
3. To exit slow motion mode, press PLAY.

Title Menu **DVD**

Checking the contents of DVD discs: Menus

DVDs may offer menus that allow you to access special features. To use the disc menu, press TITLE.

Input the corresponding number or use the ◀ ▶ ▲ ▼ buttons to highlight your selection. Then press ENTER.

Disc Menu **DVD**

Press DVD MENU and the disc menu is displayed.
Press DVD MENU again to exit.

Changing the Audio Language **DVD**

Press AUDIO repeatedly during playback to hear a different audio language or audio track.

Search **DVD** **VCD**

1. Press SCAN (◀◀ or ▶▶) during playback.
2. Press SCAN (◀◀ or ▶▶) repeatedly to select the required speed.
DVD; X2, X4, X16 or X32
Video CD; X2, X4 or X8
3. To exit Search mode, press PLAY.

Still Picture and Frame-by-Frame Playback

DVD **VCD**

Press PAUSE/STEP on the remote control during playback. Advance the picture frame-by-frame by pressing PAUSE/STEP repeatedly.
Press PLAY to exit still motion mode.

General Features (continued)

Marker Search **DVD** **VCD**

To enter a Marker

You can start playback from up to nine memorized points. To enter a marker, press MARKER at the desired point on the disc. The Marker icon appears on the TV screen briefly. Repeat to enter up to nine markers.

To Recall or Clear a Marked Scene

1. During disc playback, press SEARCH. The marker search menu appears on TV the screen.
2. Within 10 seconds, press ◀/▶ to select a marker number that you want to recall or clear.
3. Press ENTER and playback starts from the marked scene.
Or, Press CLEAR and the marker number is erased from the list.
4. You can play any marker by inputting its number on the marker search menu.

Repeat A-B **DVD** **VCD**

To repeat a sequence.

1. Press A-B at your chosen starting point. "A" appears briefly on the TV screen.
2. Press A-B again at your chosen end point.
"A B" appears briefly on the TV screen and the repeat sequence begins.
3. Press A-B again to cancel.

Repeat **DVD** **VCD**

Press REPEAT during playback to select a desired repeat mode.

DVD Video Discs

- Chapter: repeats the current chapter.
- Title: repeats the current title.
- Off: does not play repeatedly.

Video CDs

- Track: repeats the current track
- All: repeats all the tracks on a disc.
- Off: does not play repeatedly.

NOTES

- On a Video CD with PBC, you must set PBC to Off on the setup menu to use the repeat function (See "PBC" on page 22).
- If you press SKIP (▶▶) once during Repeat Chapter (Track) playback, the repeat playback cancels.

Random **VCD**

1. Press RANDOM during playback. The unit automatically begins random playback and **Random** appears on the TV screen.
2. To return to normal playback, press RANDOM repeatedly until **Normal** appears on the menu screen.

TIPS

- By pressing SKIP (▶▶) during random playback, the unit selects another track and resumes random playback.
- On a Video CD with PBC, You must set PBC to Off on the setup menu to use the random function (See "PBC" on page 22).

General Features (continued)

Zoom **DVD** **VCD**

Use zoom to enlarge the video image.

1. Press ZOOM during playback to activate the Zoom function.
2. Each press of the ZOOM button changes the screen in the sequence: 200% → 300% → 400% → Normal (4 steps).
3. Use the ◀ ▶ ▲ ▼ buttons to move through the zoomed picture.
4. To resume normal playback, press CLEAR.

NOTE

Zoom may not work on some DVDs.

Camera Angle **DVD**

If the disc contains scenes recorded at different camera angles, you can change to a different camera angle during playback.

Press ANGLE repeatedly during playback to select a desired angle.

Note that the number of the current angle appears on the display.

Subtitles **DVD**

Press SUBTITLE repeatedly during playback to display the different subtitle languages.

Changing the Audio Channel **VCD**

Press AUDIO repeatedly during playback to hear a different audio channel (Stereo, LEFT or RIGHT).

Last Scene Memory **DVD** **CD** **VCD**

This player memorizes last scene from the last disc that is viewed. The last scene remains in memory even if you remove the disc from the player or switch off the player. If you load a disc that has the scene memorized, the scene is automatically recalled.

NOTE

This player does not memorize the scene of a disc if you switch off the player before commencing to play the disc.

Screen Saver

The screen saver appears when you leave the DVD player in Stop mode for about five minutes. If the Screen Saver is displayed for five minutes, the DVD Player automatically turns itself off.

System Select

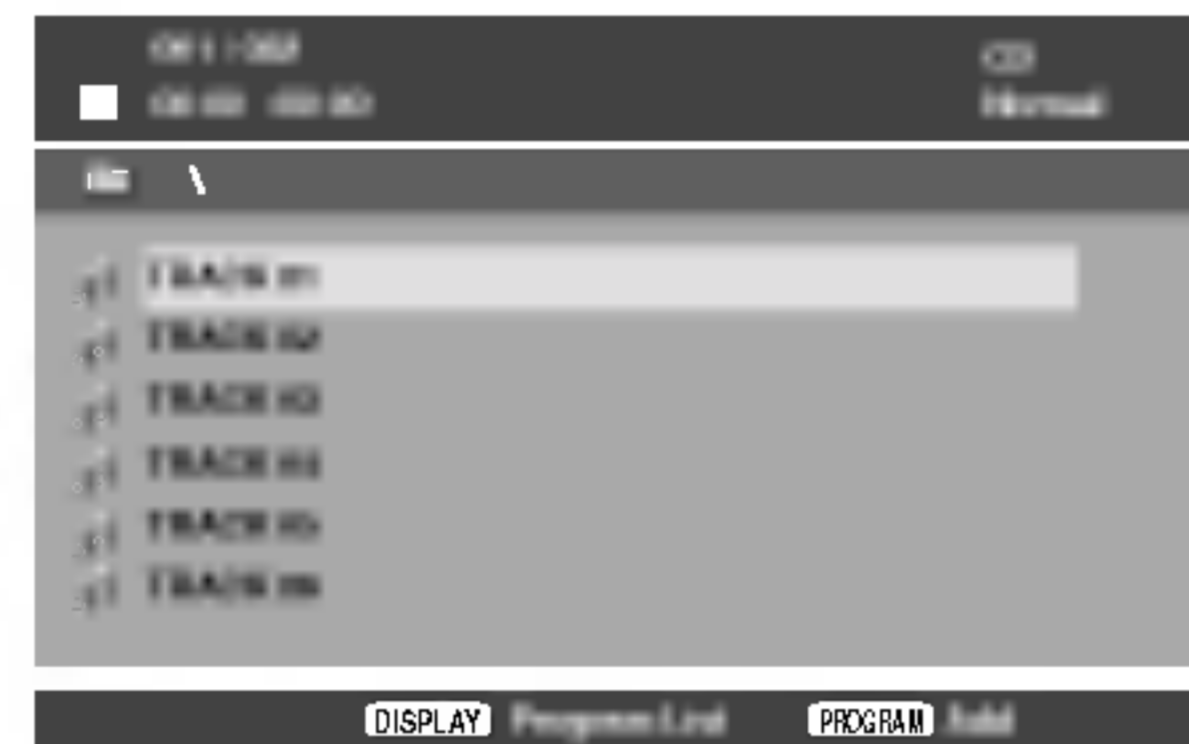
You must select the appropriate system mode for your TV system.

If no disc appears in the display window, press and hold PAUSE/STEP for more than 5 seconds to be able to select a system (PAL, NTSC, or Auto).

Playing an Audio CD or MP3/WMA Disc

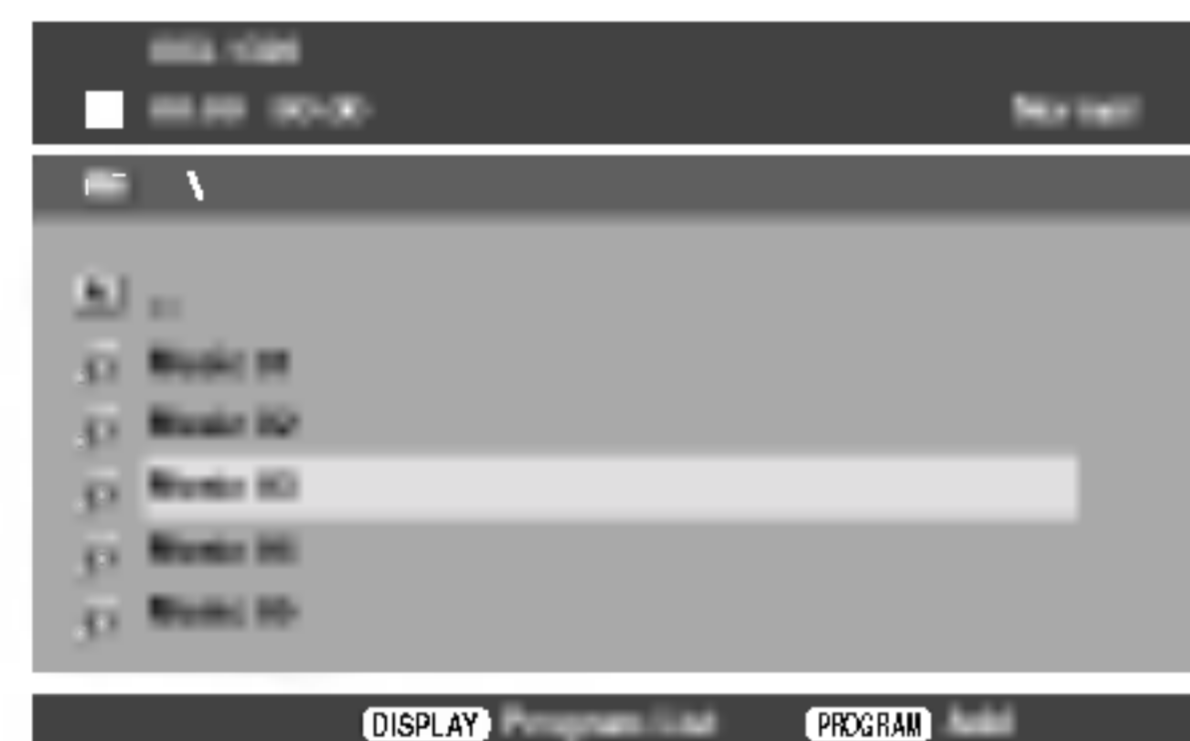
Audio CD

Once you insert an audio CD a menu appears on the TV screen. Press ▲ / ▼ to select a track then press PLAY or ENTER to playback starts.




MP3 / WMA

1. Press ▲ / ▼ to select a folder, and press PLAY or ENTER to see the folder contents.
2. Press ▲ / ▼ to select a track then press PLAY or ENTER. Playback starts.



TIPS

- If you are in a file list on the MUSIC menu and want to return to the Folder list, use the ▲ / ▼ to highlight  and press PLAY or ENTER.
- Press DVD MENU to move to the next page. Press TITLE to move to the previous page.
- On a CD with MP3/WMA and JPEG you can switch MP3/WMA and JPEG. Press ▲ / ▼ to select a folder, and press ENTER to see the folder contents.

MP3 / WMA disc compatibility with this player is limited as follows:

- Sampling frequency: within 8 - 48 kHz (MP3), within 32 - 48kHz (WMA)
- Bit rate: within 8 - 320kbps (MP3), 32 - 192kbps (WMA)
- The player cannot read an MP3/WMA file that has a file extension other than “.mp3” / “.wma”.
- CD-R physical format should be ISO 9660
- If you record MP3 / WMA files using software that cannot create a file system (eg. Direct-CD) it is impossible to playback MP3 / WMA files. We recommend that you use Easy-CD Creator, which creates an ISO 9660 file system.
- File names should have a maximum of 8 letters and must incorporate an .mp3 or .wma extension.
- They should not contain special letters such as / ? * : “ < > | etc.
- The total number of files on the disc should be less than 648.

This DVD player requires discs and recordings to meet certain technical standards in order to achieve optimal playback quality. Pre-recorded DVDs are automatically set to these standards. There are many different types of recordable disc formats (including CD-R containing MP3 or WMA files) and these require certain pre-existing conditions (see above) to ensure compatible playback.

Customers should note that permission is required in order to download MP3 / WMA files and music from the Internet. Our company has no right to grant such permission. Permission should always be sought from the copyright owner.

Playing an Audio CD or MP3/WMA Disc (continued)

Audio CD and MP3 / WMA Disc Features

Pause **CD** **MP3** **WMA**

1. Press PAUSE/STEP during playback.
2. To return to playback, press PLAY, ENTER or press PAUSE/STEP again.

Moving to another Track **CD** **MP3** **WMA**

1. Press SKIP (◀◀ or ▶▶) briefly during playback to go to the next track or to return to the beginning of the current track.
2. Press SKIP ◀◀ twice briefly to go back to the previous track.
3. You can play any track by inputting its number.

Random **CD** **MP3** **WMA**

1. Press RANDOM during playback. Random Playback begins immediately and RANDOM appears on the menu screen.
2. To return to normal playback, press RANDOM repeatedly until Normal appears on the menu screen.

TIP

By pressing SKIP ▶▶ during random playback, the unit selects another track and resumes random playback.

Repeat Track/All/Normal **CD** **MP3** **WMA**

You can play a track/all on a disc.

1. Press REPEAT when playing a disc. The repeat icon appears.
2. Press REPEAT to select a desired repeat mode.
 - Track: repeats the current track
 - All: repeats all the tracks on a disc.
 - Normal: does not play repeatedly.

NOTE

If you press SKIP (▶▶) once during Repeat Track playback, the repeat playback cancels.

Repeat A-B **CD** **MP3** **WMA**

1. To repeat a sequence during disc playback press A-B at your chosen starting point. The Repeat icon and “A” appear on the menu screen.
2. Press A-B again at your chosen end point. The Repeat icon and “A B” appear on the menu screen, and the sequence begins to play repeatedly.
3. To exit the sequence and return to normal play, press A-B again.

Search **CD** **MP3** **WMA**


1. Press SCAN (◀◀ or ▶▶) during playback.
2. Press SCAN (◀◀ or ▶▶) repeatedly to select the required speed. 2X, 4X or 8X
3. To exit Search mode, press PLAY.

Viewing a JPEG Disc

Using this DVD Player you can view discs with JPEG files.

1. Insert a disc and close the tray.
The PHOTO menu appears on the TV screen.



2. Press ▲ / ▼ to select a folder, and press ENTER or PLAY.
A list of files in the folder appears. If you are in a file list and want to return to the previous Folder list, use the ▲ / ▼ buttons on the remote to highlight  and press ENTER or PLAY.
3. If you want to view a particular file, press ▲ / ▼ to highlight a file and press ENTER or PLAY. Viewing the file proceeding starts.
While viewing a picture, you can press STOP to move to the previous menu (PHOTO menu).

TIPS

- Press DVD MENU to move to the next page.
Press TITLE to move to the previous page.
- On a CD with MP3/WMA and JPEG you can switch MP3/WMA and JPEG.
Press ▲ / ▼ to select a folder, and press ENTER to see the folder contents.

Moving to another File **JPEG**

Press SKIP (◀◀ or ▶▶) once while viewing a picture to advance to the next or previous file.

To rotate picture

Press ◀ / ▶ during showing a picture to rotate the picture clockwise or counter clockwise.

Still Picture **JPEG**

1. Press PAUSE/STEP during slide show.
The player will now go into PAUSE mode.
2. To return to the slide show, press PLAY, ENTER or press PAUSE/STEP again.

Zoom **JPEG**

Use zoom to enlarge the video image.

1. Press ZOOM during playback to activate the Zoom function.
2. Each press of the ZOOM button changes the screen in the sequence: 100% → 150% → 200% → 100%
3. Use the ◀ ▶ ▲ ▼ buttons to move through the zoomed picture.
4. To resume normal playback, press CLEAR or press ZOOM repeatedly to select the 100%.

JPEG disc compatibility with this player is limited as follows:

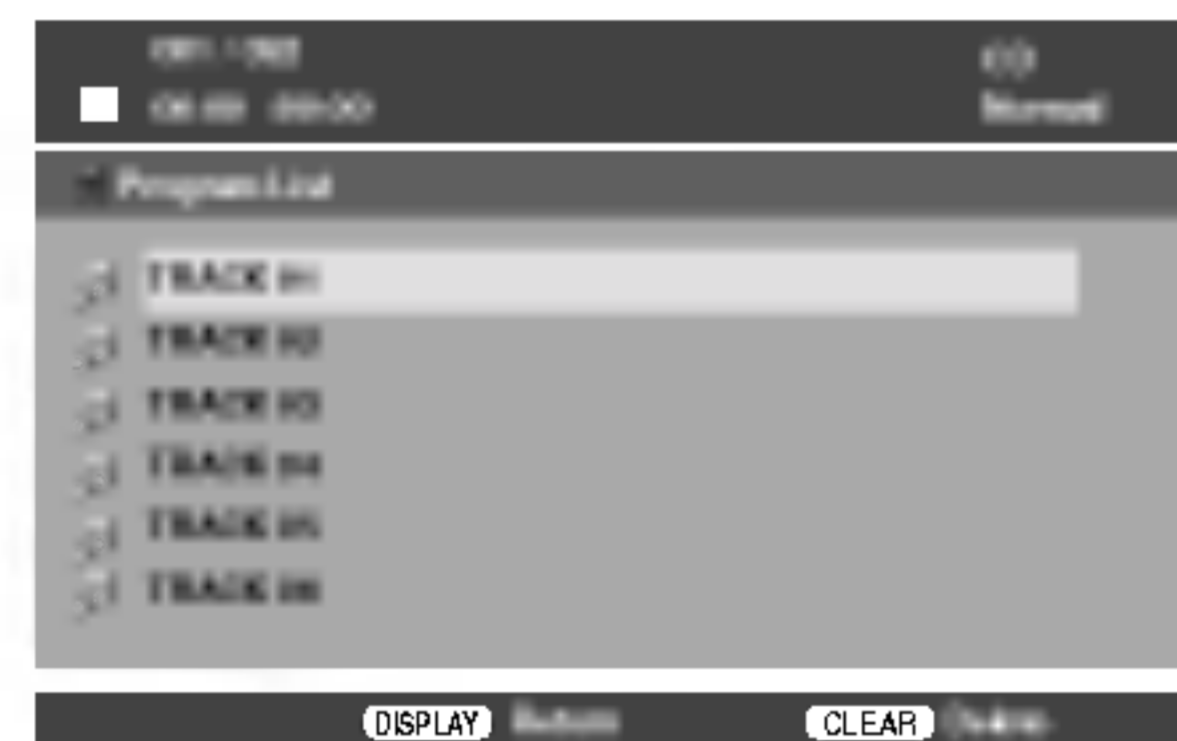
- Depending upon the size and number of JPEG files, it could take a long time for the DVD player to read the disc's contents. If you don't see an on-screen display after several minutes, some of the files may be too large — reduce the resolution of the JPEG files to less than 2M pixels as 2760 x 2048 pixels and burn another disc.
- The total number of files and folders on the disc should be less than 648.
- Ensure that all the selected files have the “.jpg” extensions when copying into the CD layout.
- If the files have “.jpe” or “.jpeg” extensions, please rename them as “.jpg” file.
- File names without “.jpg” extension will not be able to be read by this DVD player. Even though the files are shown as JPEG image files in Windows Explorer.

Programmed Playback **CD** **MP3** **WMA**

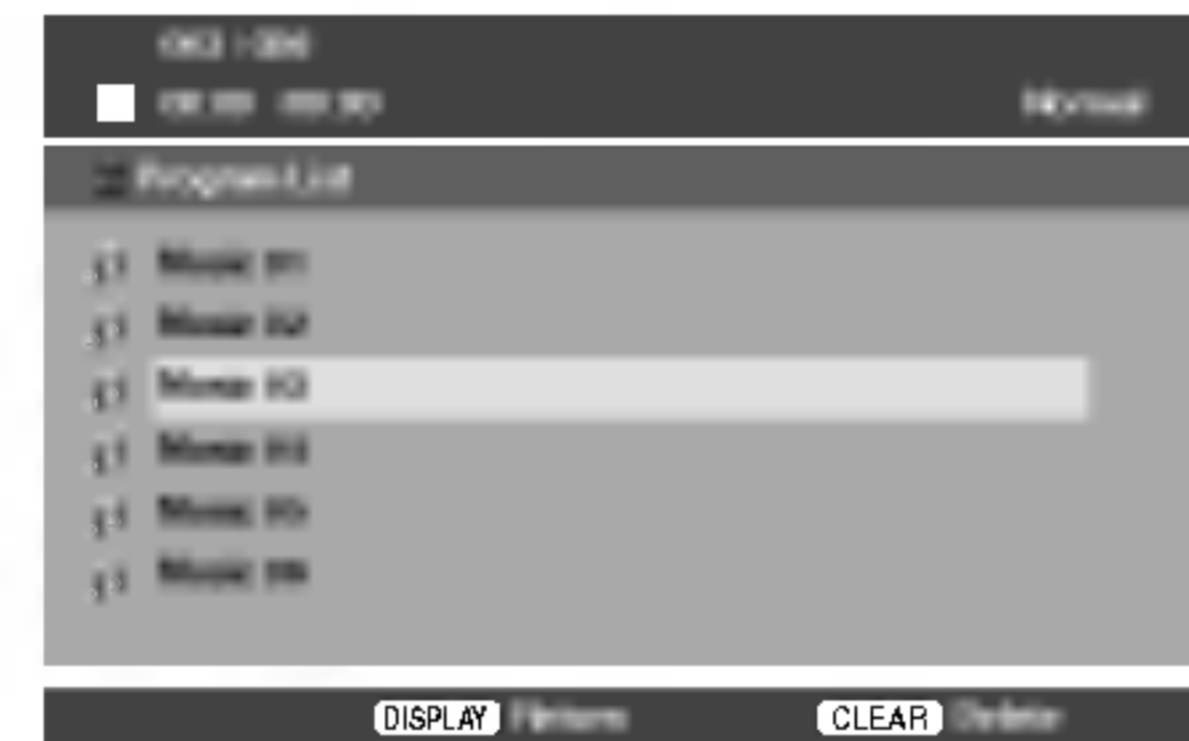
The program function enables you to store your favorite tracks from any disc in the player memory.

A program can contain 30 tracks (Audio CD, MP3/WMA).

1. Insert a disc. (Audio CD, MP3 or WMA.)
2. Press ▲ / ▼ to select the desired file.
3. Press PROGRAM during playback or in the stop mode.
Repeat press PROGRAM to place additional tracks on the program list.
4. Press DISPLAY. Program List menu appear.
Press ▲ / ▼ to select the track you want to start playing.
Press DVD MENU to move to the next page.
Press TITLE to move to the previous page.



Audio CD Menu



MP3/WMA Menu

5. Press PLAY or ENTER to start.
6. To resume normal playback from programmed playback.
Press DISPLAY then select a track of list and then press PLAY or ENTER.

Erasing a Track from program list

1. Use ▲ / ▼ to select the track that you wish to erase from the program list.
2. Press CLEAR. Repeat to erase additional tracks on the list.

For details on each operation item, refer to relevant page.

Initial Settings

By using the Setup menu, you can make various adjustments to items such as picture and sound. You can also set a language for the subtitles and the Setup menu, among other things. For details on each Setup menu item, see pages 17 to 22.

To display and exit the Menu:

Press **SETUP** to display the menu. A second press of **SETUP** will take you back to initial screen.

To go to the next level:

Press **▶** on the remote control.

To go back to the previous level:

Press **◀** on the remote control.

General Operation

1. Press **SETUP**. The Setup menu appears.
2. Use **◀ / ▶** to select the desired option then press **▼** or **ENTER** to move to the second level. The screen shows the current setting for the selected item, as well as alternate setting(s).
3. Use **▲ / ▼** to select the second desired option then press **▶** to move to the third level.
4. Use **▲ / ▼** to select the desired setting then press **ENTER** to confirm your selection. Some items require additional steps.
5. Press **SETUP**, **RETURN** or **PLAY** to exit the Setup menu.

LANGUAGE



Menu Language

Select a language for the Setup menu and on-screen display.

Disc Audio / Subtitle / Menu **DVD**

Select the language you prefer for the audio track (disc audio), subtitles, and the disc menu.

Original: Refers to the original language in which the disc was recorded.

Other: To select another language, press number buttons then Press **ENTER** to enter the corresponding 4-digit number according to the language code list in the reference chapter. If you enter the wrong language code, press **CLEAR**.

Initial Settings (continued)

DISPLAY



TV Aspect **DVD**

4:3: Select when a standard 4:3 TV is connected.

16:9: Select when a 16:9 wide TV is connected.

Display Mode **DVD**

Display Mode setting works only when the TV Aspect mode is set to "4:3".

LetterBox: Displays a wide picture with bands on the upper and lower portions of the screen.

Panscan: Automatically displays the wide picture on the entire screen and cuts off the portions that do not fit.

Progressive Scan

Progressive Scan Video provides the highest quality pictures with less flickering. If you are using the Component Video jacks for connection to a TV or monitor that is compatible with a progressive scan signal, set Progressive Scan to On. Press ENTER to confirm your selection. The confirm menu will appear.

NOTE

You can set the Progressive Scan option only when the TV Output Select option is set to "YPbPr".

Caution

If your TV does not accept the Progressive Scan format, the picture will appear scrambled if you try Progressive Scan on the DVD Player. If you set Progressive Scan to On in error, you must reset the unit.

- 1) Press ►. Select "Off" using the ▲ / ▼ buttons.
The Setup menu appears.
- 2) Press STOP and hold it for five seconds before releasing it. The video output will be restored to the standard setting and a picture will once again be visible on a conventional analog TV or monitor.

TV Output Select

Set the player's TV Output Select options according to the TV connection type.

YPbPr: When your TV is connected with the COMPONENT VIDEO OUT/PROGRESSIVE SCAN jacks on the DVD player.

RGB: When your TV is connected with the SCART (RGB signal) jack.

Initial Settings (continued)

AUDIO

Each DVD disc has a variety of audio output options. Set the player's AUDIO options according to the type of audio system you use.



Dolby Digital / DTS / MPEG **DVD**

Bitstream: Select "Bitstream" if you connect the DVD Player's DIGITAL OUT jack to an amplifier or other equipment with a Dolby Digital, DTS or MPEG decoder.

PCM (for Dolby Digital / MPEG): Select when connected to a two-channel digital stereo amplifier. DVDs encoded in Dolby Digital or MPEG will be automatically downmixed to two-channel PCM audio.

Off (for DTS): If you select "Off", the DTS signal is not output through the DIGITAL OUT jack.

Sample Freq. (Frequency) **DVD**

If your receiver or amplifier is NOT capable of handling 96 KHz signals, select 48 KHz. When this choice is made, this unit automatically converts any 96 KHz signals to 48 KHz so your system can decode them.

If your receiver or amplifier is capable of handling 96 KHz signals, select 96 KHz. When this choice is made, this unit passes each type of signal through without any further processing.

Check the documentation for your amplifier to verify its capabilities.

DRC (Dynamic Range Control) **DVD**

With the DVD format, you can hear a program's soundtrack in the most accurate and realistic presentation possible, thanks to digital audio technology. However, you may wish to compress the dynamic range of the audio output (the difference between the loudest sounds and the quietest ones). This allows you to listen to a movie at a lower volume without losing clarity of sound. Set DRC to On for this effect.

Initial Settings (continued)

LOCK (Parental Control)



Rating **DVD**

Some movies contain scenes that may not be suitable for children to view. Many of these discs contain parental control information that applies to the complete disc or to certain scenes on the disc. Movies and scenes are rated from 1 to 8, depending on the country. Some discs offer more suitable scenes as an alternative.

The parental control feature allows you to block access to scenes below the rating you input, thereby preventing your children from being able to view material you believe is unsuitable.

Rating 1-8: Rating one (1) has the most restrictions and rating eight (8) is the least restrictive.

Unlock: If you select unlock, parental control is not active and the disc plays in full.

NOTE

If you set a rating for the player, all disc scenes with the same rating or lower are played. Higher rated scenes are not played unless an alternate scene is available on the disc. The alternative must have the same rating or a lower one. If no suitable alternative is found, playback stops. You must enter the 4-digit password or change the rating level in order to play the disc.

1. Select Rating on the LOCK menu then press ►.
2. Select a rating from 1 to 8 using the ▲ / ▼ buttons and press ENTER. The password widow will appear.
3. **If you have not entered password yet:**
When the “New Password” section is highlighted, enter a 4-digit password using the numbered buttons then press ENTER. Enter the 4-digit security password again to verify when the “Confirm Password” section is highlighted. The “OK” will be highlighted.
If you have entered password already:
Enter a 4-digit password you have entered using the numbered buttons. The “OK” will be highlighted.
4. Press ENTER to confirm your rating selection, then press SETUP to exit the menu.

TIPS

- If you make a mistake before pressing ENTER in each section, press CLEAR to enter again or ◀ repeatedly to delete password numbers one by one then correct it.
- If you enter the wrong password, you can not proceed to the next step.

Initial Settings (continued)

Password (Security Code)

You can create or change password.

1. Select Password on the LOCK menu then press ►. The “Change” is highlighted
2. Press ENTER then the password window will appear.
3. **To make a new password:**
When the “New Password” section is highlighted, enter a 4-digit password using the numbered buttons then press ENTER. Enter the 4-digit password again to verify when the “Confirm Password” section is highlighted, then. The “OK” will be highlighted.
To change the password:
When the “Old Password” section is highlighted, enter the 4-digit password you have created then press ENTER. The “New Password” section will be highlighted. Enter a new 4-digit password using the numbered buttons then press ENTER. Enter the new 4-digit security password again to verify when the “Confirm Password” section is highlighted. The “OK” will be highlighted.
4. Press SETUP to exit the menu.

If you forget your Security Code

If you forget your security code you can clear it using the following steps:

1. Remove any disc from the unit and close the disc tray.
See that “nodISC” is displayed on the display window.
2. Press SETUP and setup menu appears on the TV screen.
Use the numbered buttons to enter the 6-digit number “210499”.
See that “P-CLr” is displayed on the display window.
3. Enter a new password as described above.

Area Code **DVD**

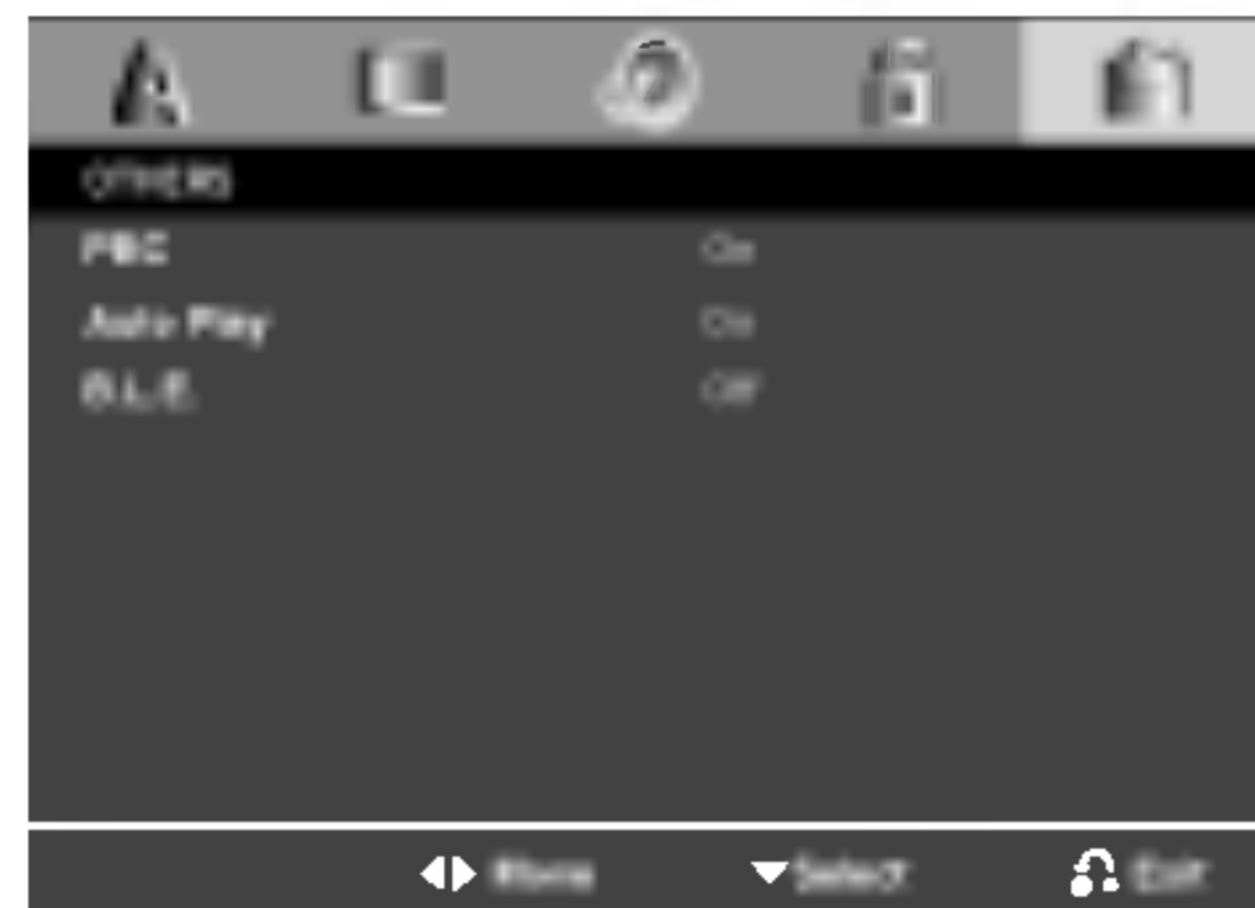
Enter the code of the area whose standards were used to rate the DVD video disc, based on the list in the reference chapter.

1. Select “Area Code” on the LOCK menu then press ►.
2. Select the first character using ▲ / ▼ buttons.
3. Shift the cursor using ► button and select the second character using ▲ / ▼ buttons then press ENTER, the password window will appear
4. Press ENTER, the password window will appear.
5. **If you have not entered password yet:**
When the “New Password” section is highlighted, enter a 4-digit password using the numbered buttons then press ENTER. Enter the 4-digit security password again to verify when the “Confirm Password” section is highlighted. The “OK” will be highlighted.
If you have entered password already:
Enter a 4-digit password you have entered using the numbered buttons. The “OK” will be highlighted.
6. Press ENTER to confirm your Area Code selection, then press SETUP to exit the menu.

Initial Settings (continued)

OTHERS

The PBC, Auto Play and B.L.E. settings can be changed.



PBC **VCD**

Set Playback Control (PBC) to On or Off.

On: Video CDs with PBC are played according to the PBC.

Off: Video CDs with PBC are played the same way as Audio CDs.

NOTES

- **PBC: Playback Control (Video CD only)**
Playback control is available for Video CD (VCD) version 2.0 disc formats. PBC allows you to interact with the system via menus, search functions, or other typical computer-like operations. Moreover, still pictures of high resolution can be played if they are included in the disc. Video CDs not equipped with PBC (Version 1.1) operate in the same way as audio CDs.
- Use the number buttons to select the track you want to view and press RETURN to return to the menu screen. Menu settings and operating procedures may differ. Follow the instructions on the each menu screen. You also may set PBC to Off.

Auto Play **DVD**

You can set up the DVD Player so a DVD disc automatically starts playing whenever the DVD is inserted.

If Auto Play mode is set to On, this DVD player will search for title that has the longest playback time and then play back the title automatically.

On: Auto Play function is activated.

Off: Auto Play function is not activated.

NOTE

The Auto Play function may not work for some DVDs.

B.L.E. (Black Level Expansion)

To select the black level of playback pictures. Set your preference and monitor's ability.

On: Expanded grey scale. (0 IRE cut off)

Off: Standard grey scale. (7.5 IRE cut off)

NOTE

The B.L.E. function works NTSC system only.

Additional Information

COPYRIGHTS:

It is forbidden by law to copy, broadcast, show, broadcast via cable, play in public, or rent copyrighted material without permission.

This product features the copy protection function developed by Macrovision. Copy protection signals are recorded on some discs. When recording and playing the pictures of these discs on a VCR, picture noise will appear.

This product incorporates copyright protection technology that is protected by method claims of certain U.S. patents and other intellectual property rights owned by Macrovision Corporation and other rights owners. Use of this copyright protection technology must be authorized by Macrovision Corporation, and is intended for home and other limited viewing uses only unless otherwise authorized by Macrovision Corporation. Reverse engineering or disassembly is prohibited.

CONSUMERS SHOULD NOTE THAT NOT ALL HIGH DEFINITION TELEVISION SETS ARE FULLY COMPATIBLE WITH THIS PRODUCT AND MAY CAUSE ARTIFACTS TO BE DISPLAYED IN THE PICTURE. IN CASE OF 525 OR 625 PROGRESSIVE SCAN PICTURE PROBLEMS, IT IS RECOMMENDED THAT THE USER SWITCH THE CONNECTION TO THE 'STANDARD DEFINITION' OUTPUT. IF THERE ARE QUESTIONS REGARDING OUR TV SET COMPATIBILITY WITH THIS MODEL 525p AND 625p DVD PLAYER, PLEASE CONTACT OUR CUSTOMER SERVICE CENTER.

Controlling other TVs with the remote control

You can control the sound level, input source, and power switch of your LG TV with the supplied remote control.

You can control the sound level, input source, and power switch of non-LG TVs as well. If your TV is listed in the table below, set the appropriate manufacturer code.

1. While holding down TV POWER button, press the number buttons to select the manufacturer code for your TV (see the table below).
2. Release TV POWER button.

Code numbers of controllable TVs

If more than one code number is listed, try entering them one at a time until you find the one that works with your TV.

Manufacturer	Code Number
LG / GoldStar	1 (Default), 2
Zenith	1, 3, 4
Samsung	6, 7
Sony	8, 9
Hitachi	4

NOTES

- Depending on your TV, some or all buttons may not function on the TV, even after entering the correct manufacturer code.
- If you enter a new code number, the code number previously entered will be erased.
- When you replace the batteries of the remote, the code number you have set may be reset to the default setting. Set the appropriate code number again.

Troubleshooting

Symptom	Possible Cause	Correction
No power.	<ul style="list-style-type: none"> The power cord is disconnected. 	<ul style="list-style-type: none"> Plug the power cord into the wall outlet securely.
The power is on, but the DVD player does not work.	<ul style="list-style-type: none"> No disc is inserted. 	<ul style="list-style-type: none"> Insert a disc. (Check that the DVD or audio CD indicator in the display window is lit.)
No picture.	<ul style="list-style-type: none"> The TV is not set to receive DVD signal output. 	<ul style="list-style-type: none"> Select the appropriate video input mode on the TV.
	<ul style="list-style-type: none"> The video cable is not connected securely. 	<ul style="list-style-type: none"> Connect the video cable securely.
No sound.	<ul style="list-style-type: none"> The equipment connected with the audio cable is not set to receive DVD signal output. 	<ul style="list-style-type: none"> Select the correct input mode of the audio receiver so you can listen to the sound from the DVD player.
	<ul style="list-style-type: none"> The power of the equipment connected with the audio cable is turned off. 	<ul style="list-style-type: none"> Turn on the equipment connected with the audio cable.
	<ul style="list-style-type: none"> The AUDIO options are set to the wrong position. 	<ul style="list-style-type: none"> Set the Digital Audio Output to the correct position, then turn on the DVD player again by pressing POWER.
The DVD player does not start playback.	<ul style="list-style-type: none"> An unplayable disc is inserted. 	<ul style="list-style-type: none"> Insert a playable disc. (Check the disc type, color system, and regional code.)
	<ul style="list-style-type: none"> The rating level is set. 	<ul style="list-style-type: none"> Cancel the rating function or change the rating level.
The remote control does not work properly.	<ul style="list-style-type: none"> The remote control is not pointed at the remote sensor on the DVD player. 	<ul style="list-style-type: none"> Point the remote control at the remote sensor of the DVD player.
	<ul style="list-style-type: none"> The remote control is too far from the DVD player. 	<ul style="list-style-type: none"> Operate the remote control closer to the DVD player.

Language Codes

Use this list to input your desired language for the following initial settings:
Disc Audio, Disc Subtitle, Disc Menu.

Language	Code	Language	Code	Language	Code	Language	Code
Abkhazian	6566	Fiji	7074	Lingala	7678	Singhalese	8373
Afar	6565	Finnish	7073	Lithuanian	7684	Slovak	8375
Afrikaans	6570	French	7082	Macedonian	7775	Slovenian	8376
Albanian	8381	Frisian	7089	Malagasy	7771	Somali	8379
Ameharic	6577	Galician	7176	Malay	7783	Spanish	6983
Arabic	6582	Georgian	7565	Malayalam	7776	Sudanese	8385
Armenian	7289	German	6869	Maltese	7784	Swahili	8387
Assamese	6583	Greek	6976	Maori	7773	Swedish	8386
Aymara	6588	Greenlandic	7576	Marathi	7782	Tagalog	8476
Azerbaijani	6590	Guarani	7178	Moldavian	7779	Tajik	8471
Bashkir	6665	Gujarati	7185	Mongolian	7778	Tamil	8465
Basque	6985	Hausa	7265	Nauru	7865	Tatar	8484
Bengali; Bangla	6678	Hebrew	7387	Nepali	7869	Telugu	8469
Bhutani	6890	Hindi	7273	Norwegian	7879	Thai	8472
Bihari	6672	Hungarian	7285	Oriya	7982	Tibetan	6679
Breton	6682	Icelandic	7383	Panjabi	8065	Tigrinya	8473
Bulgarian	6671	Indonesian	7378	Pashto, Pushto	8083	Tonga	8479
Burmese	7789	Interlingua	7365	Persian	7065	Turkish	8482
Byelorussian	6669	Irish	7165	Polish	8076	Turkmen	8475
Cambodian	7577	Italian	7384	Portuguese	8084	Twi	8487
Catalan	6765	Japanese	7465	Quechua	8185	Ukrainian	8575
Chinese	9072	Javanese	7487	Rhaeto-Romance	8277	Urdu	8582
Corsican	6779	Kannada	7578	Rumanian	8279	Uzbek	8590
Croatian	7282	Kashmiri	7583	Russian	8285	Vietnamese	8673
Czech	6783	Kazakh	7575	Samoan	8377	Volapük	8679
Danish	6865	Kirghiz	7589	Sanskrit	8365	Welsh	6789
Dutch	7876	Korean	7579	Scots Gaelic	7168	Wolof	8779
English	6978	Kurdish	7585	Serbian	8382	Xhosa	8872
Esperanto	6979	Laothian	7679	Serbo-Croatian	8372	Yiddish	7473
Estonian	6984	Latin	7665	Shona	8378	Yoruba	8979
Faroese	7079	Latvian, Lettish	7686	Sindhi	8368	Zulu	9085

Area Codes

Choose an area code from this list.

Area	Code	Area	Code	Area	Code	Area	Code
Afghanistan	AF	Ethiopia	ET	Malaysia	MY	Saudi Arabia	SA
Argentina	AR	Fiji	FJ	Maldives	MV	Senegal	SN
Australia	AU	Finland	FI	Mexico	MX	Singapore	SG
Austria	AT	France	FR	Monaco	MC	Slovak Republic	SK
Belgium	BE	Germany	DE	Mongolia	MN	Slovenia	SI
Bhutan	BT	Great Britain	GB	Morocco	MA	South Africa	ZA
Bolivia	BO	Greece	GR	Nepal	NP	South Korea	KR
Brazil	BR	Greenland	GL	Netherlands	NL	Spain	ES
Cambodia	KH	Islands	HM	Netherlands Antilles	AN	Sri Lanka	LK
Canada	CA	Hong Kong	HK	New Zealand	NZ	Sweden	SE
Chile	CL	Hungary	HU	Nigeria	NG	Switzerland	CH
China	CN	India	IN	Norway	NO	Taiwan	TW
Colombia	CO	Indonesia	ID	Oman	OM	Thailand	TH
Congo	CG	Israel	IL	Pakistan	PK	Turkey	TR
Costa Rica	CR	Italy	IT	Panama	PA	Uganda	UG
Croatia	HR	Jamaica	JM	Paraguay	PY	Ukraine	UA
Czech Republic	CZ	Japan	JP	Philippines	PH	United States	US
Denmark	DK	Kenya	KE	Poland	PL	Uruguay	UY
Ecuador	EC	Kuwait	KW	Portugal	PT	Uzbekistan	UZ
Egypt	EG	Libya	LY	Romania	RO	Vietnam	VN
El Salvador	SV	Luxembourg	LU	Russian Federation	RU	Zimbabwe	ZW

Specifications

General

Power requirements: AC 110-240 V , 50/60 Hz

Power consumption: 8W

Dimensions (Approx.):

DZ9511E: 360 x 35 x 242 mm (W x H x D) without foot

DZ9711E: 430 x 35 x 242 mm (W x H x D) without foot

Weight (Approx.): DZ9511E : 1.7 kg

DZ9711E : 1.9 kg

Operating temperature:

5 °C to 35 °C (41 °F to 95 °F)

Operating humidity: 5 % to 90 %

Outputs

VIDEO OUT:

1.0 V (p-p), 75 Ω, sync negative, RCA jack x 1 / SCART (TO TV)

COMPONENT VIDEO OUT:

(Y) 1.0 V (p-p), 75 Ω, negative sync, RCA jack x 1

(Pb)/(Pr) 0.7 V (p-p), 75 Ω, RCA jack x 2

AUDIO OUT:

2.0 Vrms (1 KHz, 0 dB), 600 Ω, RCA jack (L, R) x 1 / SCART (TO TV)

DIGITAL OUT (COAXIAL):

0.5 V (p-p), 75 Ω, RCA jack x 1

System

Laser:

Semiconductor laser, wavelength 650 nm

Signal system: PAL / NTSC

Frequency response:

DVD (PCM 96 kHz): 8 Hz to 44 kHz

DVD (PCM 48 kHz): 8 Hz to 22 kHz

CD: 8 Hz to 20 kHz

Signal-to-noise ratio:

More than 100 dB (ANALOG OUT connectors only)

Harmonic distortion: Less than 0.02%

Dynamic range:

More than 95 dB (DVD/CD)

Accessories:

Video cable (1), Audio cable (1), Remote control (1), Batteries (2)



LECTEUR DVD
MODE D'EMPLOI
MODEL: DZ9511E/DZ9711E



Avant de raccorder, faire fonctionner ou régler cet appareil, prière de lire attentivement ce mode d'emploi en entier.

Précautions de sécurité



ATTENTION : CES INSTRUCTIONS DE MAINTENANCE SONT DESTINÉES UNIQUEMENT À L'USAGE DE TECHNICIENS QUALIFIÉS. POUR RÉDUIRE LE RISQUE DE CHOC ÉLECTRIQUE, N'EFFECTUEZ D'AUTRES OPÉRATIONS DE MAINTENANCE QUE CELLES INDIQUÉES DANS LE MODE D'EMPLOI, SAUF SI VOUS ÊTES QUALIFIÉ POUR CE FAIRE.



Attention : L'appareil ne doit pas être exposé à l'eau (par mouillure ou éclaboussure) et aucun objet rempli de liquide, comme par exemple une vase, ne devrait être placé sur l'appareil.



ATTENTION : Ce produit utilise un système laser. Afin de garantir l'utilisation correcte de ce produit, veuillez lire attentivement ce manuel de l'utilisateur et le conserver pour future consultation. Si cette unité requiert du service technique, contactez un point de service après-vente agréé. L'utilisation de commandes, réglages ou l'emploi de procédures autres que ceux spécifiés ici peut résulter dans une exposition dangereuse à la radiation. Pour éviter l'exposition directe au faisceau laser, n'essayez pas d'ouvrir le boîtier. Il y a de la radiation laser visible lorsqu'il est ouvert. NE FIXEZ PAS LE REGARD SUR LE FAISCEAU.



AVERTISSEMENT: N'installez pas cet équipement dans un espace clos tel qu'une bibliothèque ou une unité similaire.

PRÉCAUTION concernant le câble d'alimentation

Il est recommandé, pour la plupart des appareils, de les brancher sur un circuit spécialisé.

Cela veut dire qu'un circuit comportant une prise de courant simple alimente uniquement cet appareil et qu'il n'a ni d'autres prises de courant ni d'autres circuits secondaires. Vérifiez la page des spécifications dans ce manuel de l'utilisateur pour en être sûr.

Évitez de surcharger les prises murales. Les prises murales surchargées, les prises murales desserrées ou endommagées, les rallonges, les câbles d'alimentation effilochés, ou l'isolation des câbles endommagée ou fêlée sont dangereux. Toutes ces conditions risquent de provoquer un choc électrique ou un incendie. Examinez périodiquement le câble de votre appareil, et si son aspect indique qu'il est endommagé ou détérioré, débranchez-le, arrêtez momentanément l'utilisation de l'appareil, et demandez à un technicien autorisé de remplacer le câble par la pièce de rechange appropriée.

Protégez le câble d'alimentation de tout emploi abusif, évitant par exemple qu'il soit tordu, entortillé ou pincé, que l'on ferme une porte ou que l'on marche sur le câble. Faites très attention aux fiches, aux prises murales et au point où le câble sort de l'appareil.


NUMÉRO DE SÉRIE: Veuillez trouver le numéro de série inscrit à l'arrière de l'appareil. Ce numéro est exclusif à ce lecteur n'étant pas disponible pour d'autres appareils. Vous devriez le noter dans l'espace ci-dessous et conserver ce guide comme un registre permanent de votre achat.

Modèle No. _____

No. de Série _____

Table des matières

Introduction

Précautions de sécurité	2
Table des matières	3
Préliminaires	4-5
Symboles employés dans ce mode d'emploi	4
A propos de l'affichage du symbole 	4
Remarques à propos des disques	4
Mise en place des piles de la télécommande	4
Maintenance et Service	5
Types de disques dont la lecture peut être effectuée	5
Panneau avant	6
Télécommande	7
Comment installer le lecteur	8-9
Raccordements du Lecteur DVD	8
Raccordement Audio à un Appareil Optionnel	9

Configuration initiale

Fonctions Générales	10-16
Affichage à l'écran	10
Passer à un autre CHAPITRE/PLAGE	10
Ralenti	10
Menu Titre	10
Menu du Disque	10
Changement de la Langue Audio	10
Recherche	10
Image Immobilisée et Lecture Trame par Trame	10
Recherche du Marqueur	11
Répéter A-B	11
Répéter	11
Aléatoire	11
Zoom	12
Changements des Angles	12
Sous-titres	12
Changement du Canal Audio	12
Mémoire de la Dernière Scène	12
Economiseur d'Écran	12
Sélection du Système	12

Lecture d'un CD Audio ou Disque MP3/WMA	13
La compatibilité du disque MP3 / WMA avec l'appareil est ainsi limitée:	13
Fonctions de CD Audio et Disque MP3 /WMA	14
• Pause	14
• Passer à une autre Plage	14
• Aléatoire	14
• Répéter Plage/Tout/Normal	14
• Répéter A-B	14
• Recherche	14
Visionnement d'un Disque JPEG	15
• Se déplacer vers un autre fichier	15
• Pour pivoter l'image	15
• Image Immobilisée	15
• Zoom	15
• La compatibilité du disque JPEG avec ce lecteur est ainsi limitée:	15
Lecture programmée	16
• Effacement d'une piste de la liste programmée	16

Configuration initiale

Configuration initiale	17-22
Opération Générale	17
LANGUES	17
AFFICHAGE	18
AUDIO	19
VERROUILLAGE (Contrôle des parents)	20-21
AUTRES	22

Référence

Fonctions supplémentaires	23
Commander d'autres téléviseurs au moyen de votre télécommande	23
En cas de difficulté	24
Codes des Langues	25
Code régional	26
Spécifications	27

Préliminaires

Pour assurer le correct emploi de cet appareil, prière de lire attentivement ce manuel et de le garder pour des consultations ultérieures.

Ce mode d'emploi vous fournit de l'information sur l'utilisation et l'entretien de votre lecteur DVD. Veuillez contacter le service technique autorisé pour toute réparation si nécessaire.

Symboles employés dans ce mode d'emploi



Le symbole de l'éclair vous avertit sur la présence du voltage dangereux à l'intérieur du boîtier de l'appareil pouvant constituer un risque d'électrocution.



Le point d'exclamation vous avertit à propos des remarques importantes concernant l'emploi et l'entretien/la manutention.



Vous indique des risques probables d'endommagement de l'appareil ou d'autres dommages du matériel.

DVD DVD et DVD±R/RW finalisé

VCD CD Vidéo.

CD CD Audio.

MP3 Disques MP3.

WMA Disques WMA.

JPEG Disques JPEG.

REMARQUE

vous indique des remarques et des caractéristiques spéciales concernant l'utilisation.

CONSEIL

vous offre des conseils et vous donne des indications afin de simplifier la tâche.

Une section dont le titre comporte l'un des symboles suivants n'est applicable qu'au disque représenté par ce symbole.

A propos de l'affichage du symbole ∅

“ ∅ ” peut apparaître affiché sur le moniteur de votre téléviseur lors de l'opération indiquant que la fonction expliquée dans le mode d'emploi n'est pas disponible sur ce disque vidéo DVD spécifique .

Remarques à propos des disques

Manipulation des disques

Manipuler avec soin le disque en le tenant par les bords afin de ne pas toucher avec vos doigts la surface de lecture. Ne jamais coller de papier ou de ruban adhésif sur le disque.

Comment conserver les disques

Mettez le disque dans son étui après vous en être servi. Evitez d'exposer le disque directement au soleil ou à des températures élevées. Ne jamais le laisser exposé au soleil directement dans une voiture garée.

Nettoyage des disques

Les empreintes digitales et la poussière risquent d'appauvrir la qualité de l'image et de modifier le son. Il est préférable de nettoyer préalablement le disque à l'aide d'un chiffon propre du centre vers le bord.

Ne jamais utiliser de solvants tels que de l'alcool, de la benzine, du diluant, des nettoyeurs disponibles sur le marché ni d'atomiseurs antistatiques employés auparavant pour les disques de vinyle.

Mise en place des piles de la télécommande

Enlever le couvercle de la partie arrière de la télécommande et introduire deux piles (taille AAA) en respectant les indications de polarité ⊕ et ⊖ .

Préliminaires (Suite)

Maintenance et Service

Lisez cette information avant de contacter le personnel du service technique.

Manipulation de l'appareil

Au moment de le déplacer

Prière de conserver le carton et les matériaux d'emballage. Si vous avez besoin de déplacer l'appareil, il est préférable de l'emballer tel qu'il a été livré originairement depuis l'usine afin d'en assurer une meilleure protection.

Conservez les surfaces extérieures propres

- N'employez pas de liquide volatil, tels que des insecticides près de l'appareil.
- Ne placez pas d'objets en plastique ou en caoutchouc en contact avec l'appareil pour longtemps car ils laissent des marques sur la surface.

Nettoyage du lecteur

Pour nettoyer le lecteur, employez un chiffon sec. Si les surfaces sont très sales, employez un chiffon à peine mouillé avec une solution détergente douce.

N'employez pas de solvants forts, tels que de l'alcool, de la benzine ou du diluant car ils peuvent endommager la surface de l'appareil.

Entretien du lecteur

Le lecteur DVD est un appareil de haute technologie et précision. Si la lentille optique et les pièces de tournage du disque sont sales ou usées, la qualité de l'image peut être diminuée.

Selon la manipulation, un contrôle régulier et un service d'entretien sont recommandés après toutes les 1.000 heures de lecture.

Pour plus de détails, veuillez contacter votre revendeur le plus proche.

Types de disques dont la lecture peut être effectuée

Cette unité peut lire des disques DVD, CD-Vidéo, CD-Audio, DVD±R, DVD±RW, SVCD, et CD-R ou CD-RW contenant des titres audio, des fichiers MP3, WMA ou JPEG.

Fabriqué sous la licence de Dolby Laboratories. "Dolby", "Pro Logic", et le symbole de la double D sont des marques enregistrées par Dolby Laboratories.

DTS et DTS Digital Out sont des marques enregistrées de Digital Theater Systems, Inc.

REMARQUES

- Selon les conditions de l'appareil d'enregistrement ou du disque CD-R/RW (ou DVD±R/±RW) proprement dit, quelques disques CD-R/RW (ou DVD±R/±RW) ne peuvent pas être lus par cet appareil.
- Ne placer aucun autocollant ni étiquette sur les faces du disque (la face de l'étiquette ou la surface de lecture du disque).
- Ne pas utiliser de disques de formes non standard (par exemple en forme de coeur ou octogonal) car ils risquent de causer des anomalies dans le fonctionnement de l'appareil.

Remarques sur DVD et CD vidéo

Quelques opérations de lecture des DVD et CD vidéo peuvent être programmées expressément par les créateurs des logiciels. Cet appareil peut effectuer la lecture des DVD et CD vidéo selon le contenu du disque conçu par le créateur du logiciel, voilà pourquoi quelques caractéristiques de lecture peuvent ne pas être disponibles ou bien d'autres fonctions peuvent y être ajoutées.

Code Régional

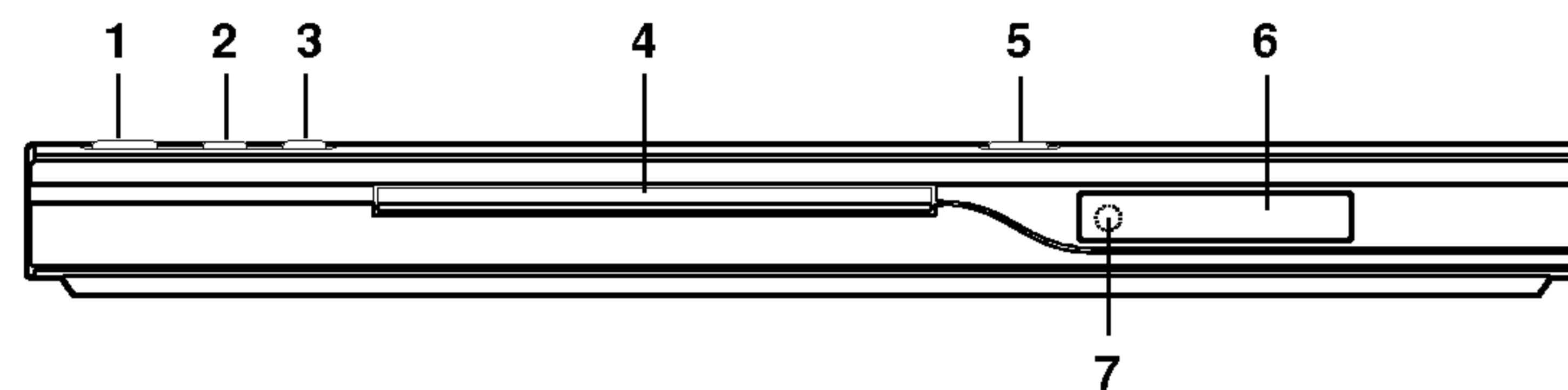
Ce lecteur DVD est conçu et fabriqué pour la lecture des disques de la région "5" du logiciel de DVD codifié. Cet appareil ne peut effectuer que la lecture des disques DVD enregistrés "5" ou "TOUS".



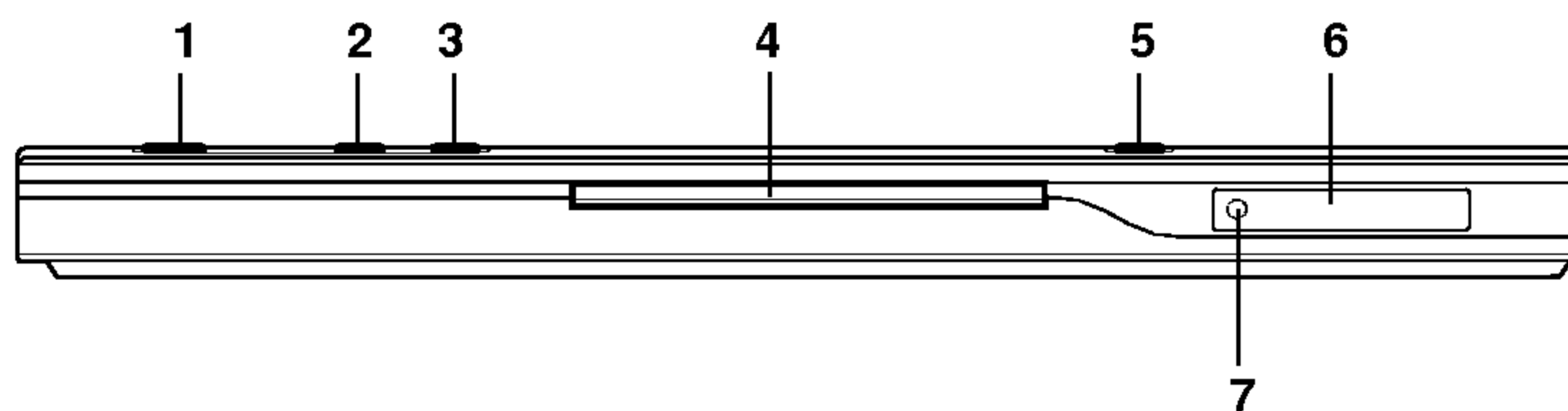
Si vous essayez de lire un DVD dont le code de région est différent à celui de votre lecteur, vous verrez affiché sur le moniteur TV le message suivant "Vérifiez le code Régional"

Panneau avant

DZ9511E

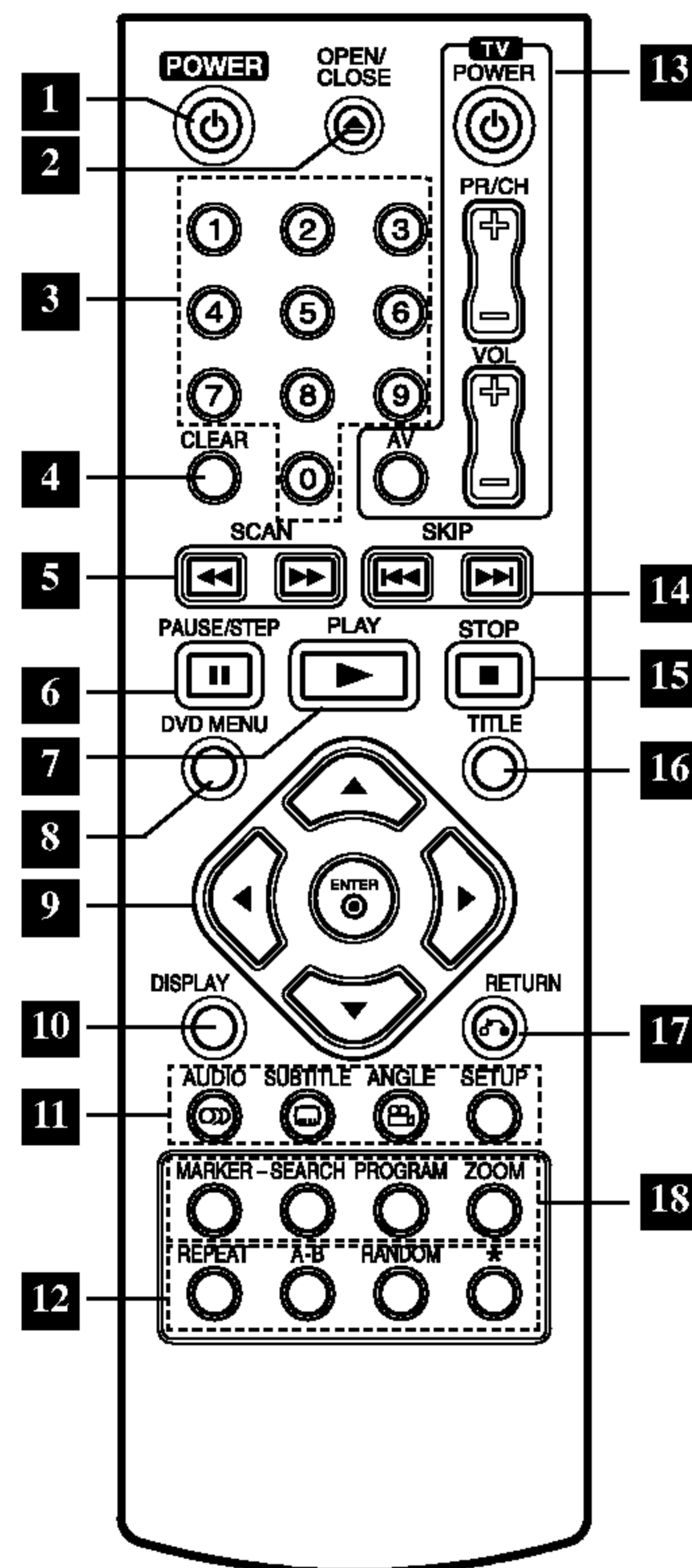


DZ9711E



- 1. POWER**
Allume ou éteint le lecteur
- 2. PLAY (▶)**
Démarre la lecture.
- 3. STOP (■)**
Arrête la lecture.
- 4. Boîtier du disque**
Introduire là-dedans le disque.
- 5. OPEN / CLOSE (▲)**
Ouvre ou ferme le boîtier du disque.
- 6. Affichage des fonctions**
Affiche l'état actuel du lecteur.
- 7. Capteur Télécommande**
Visez la télécommande du lecteur DVD vers ce capteur.

Télécommande



- 1 POWER**
Allume et éteint le lecteur DVD.
- 2 OPEN / CLOSE**
Ouvre et ferme le boîtier.
- 3 Touches numériques 0-9**
Choisit les items numérotés d'un menu.
- 4 CLEAR**
Annule un numéro de piste de la liste du programme ou une marque du menu MARKER SEARCH.
- 5 SCAN (◀▶ / ▶▶)**
Recherche en avance ou en retour.
- 6 PAUSE / STEP (II)**
Arrête momentanément la lecture/ appuyer plusieurs fois pour la lecture trame par trame.
- 7 PLAY (▶▶)**
Démarré la lecture.
- 8 DVD MENU**
Accède au menu d'un disque DVD
- 9 • ◀▶▲▼**
(gauche/droite/haut/bas)
Choisit un item du menu.
• ENTER
Confirme la sélection du menu.

- 10 DISPLAY**
Accède à l'information affichée sur
- 11 • AUDIO**
Choisit la langue audio (DVD).
• SUBTITLE
Choisit une langue pour les sous-titres.
• ANGLE
Choisit un angle de visionnement DVD si disponible.
• SETUP
Affiche ou fait disparaître le menu de configuration.
- 12 • REPEAT**
Répète le chapitre, piste, titre, tout.
• A-B
Répète une séquence.
• RANDOM
lit les pistes dans un ordre aléatoire.
• *
Cette touche est inopérante
- 13 Boutons de commande du téléviseur**
TV POWER:
Allume ou éteint le téléviseur.
TV PR/CH +/-:
Sélectionne la chaîne télévisée.

- 14 SKIP (◀◀ / ▶▶)**
Va au chapitre ou à la piste suivant/e. Revient au début du chapitre ou piste actuel/le ou va au chapitre ou piste précédant(e).
- 15 STOP (■)**
Arrête la lecture.
- 16 TITLE**
Montre le menu des titres, si disponible.
- 17 RETURN**
Supprime le menu réglage (setup menu). Affiche le menu du CD vidéo avec PBC.
- 18 • MARKER**
Marque un point lors de la lecture.
• SEARCH
Montre le menu MARKER SEARCH (recherche des marqueurs)
• PROGRAM
Effectue ou annule le mode d'édition du programme.
• ZOOM
Élargit l'image de vidéo.

Comment installer le lecteur

Raccordements du Lecteur DVD

Il existe plusieurs manières de raccorder votre lecteur selon le TV et les autres composants dont vous disposez. Veuillez se reporter aux modes d'emploi de votre TV, système audio et tout autre appareil si nécessaire afin d'obtenir des renseignements supplémentaires à propos du raccordement.

Raccordements Audio et Vidéo à votre TV

Vérifier que le lecteur DVD soit raccordé directement au téléviseur et non au VCR, dans ce cas l'image du DVD risque d'être modifiée par le système de protection contre copie.

Video: Raccorder la borne VIDEO OUT du lecteur DVD à la borne d'entrée de vidéo (vidéo in) du téléviseur à l'aide du câble de vidéo (V).

SCART: Raccorder le TO TV SCART du lecteur DVD au SCART correspondant du téléviseur TV à l'aide du câble SCART (T).

Component Video (Color Stream®): À l'aide d'un câble Y Pb Pr (C), reliez les prises SORTIE COMPOSANT VIDEO / BALAYAGE PROGRESSIF du Lecteur de DVD aux prises correspondantes du téléviseur.

Raccordement Audio à votre TV:

Raccorder les AUDIO OUT gauche (L) et droit (R) du lecteur DVD aux bornes d'entrée audio gauche et droite (AUDIO IN / INPUT) du téléviseur à l'aide des câbles audio (A). Ne pas raccorder le AUDIO OUT du lecteur DVD à la borne de Phono in (unité d'enregistrement) de votre système audio.

Attention

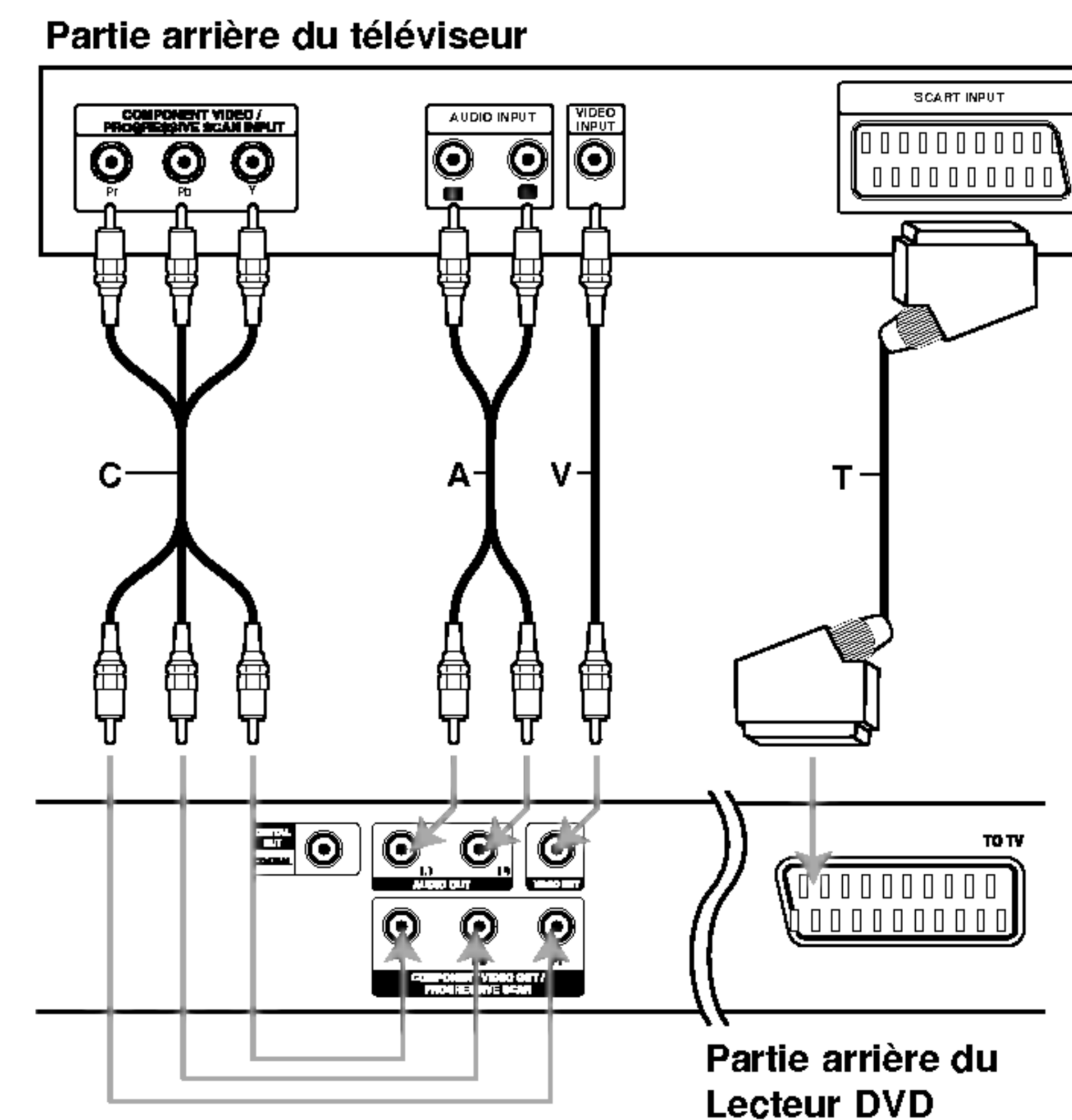
Vous devez placer l'option Sortie TV pour employer les jacks de COMPONENT VIDEO OUT/PROGRESSIVE SCAN et de SCART. (Voir "Sortie TV" à la page 18.)

Progressive Scan (ColorStream® pro):

- Si votre téléviseur est un téléviseur à haute définition ou "digital ready", vous pourrez profiter de la sortie à Progressive Scan du Lecteur de DVD afin d'obtenir la plus haute résolution vidéo possible.
- Si votre téléviseur n'accepte pas le format Progressive Scan, l'image apparaîtra brouillée si vous essayez d'utiliser le Progressive Scan du Lecteur de DVD.

REMARQUES

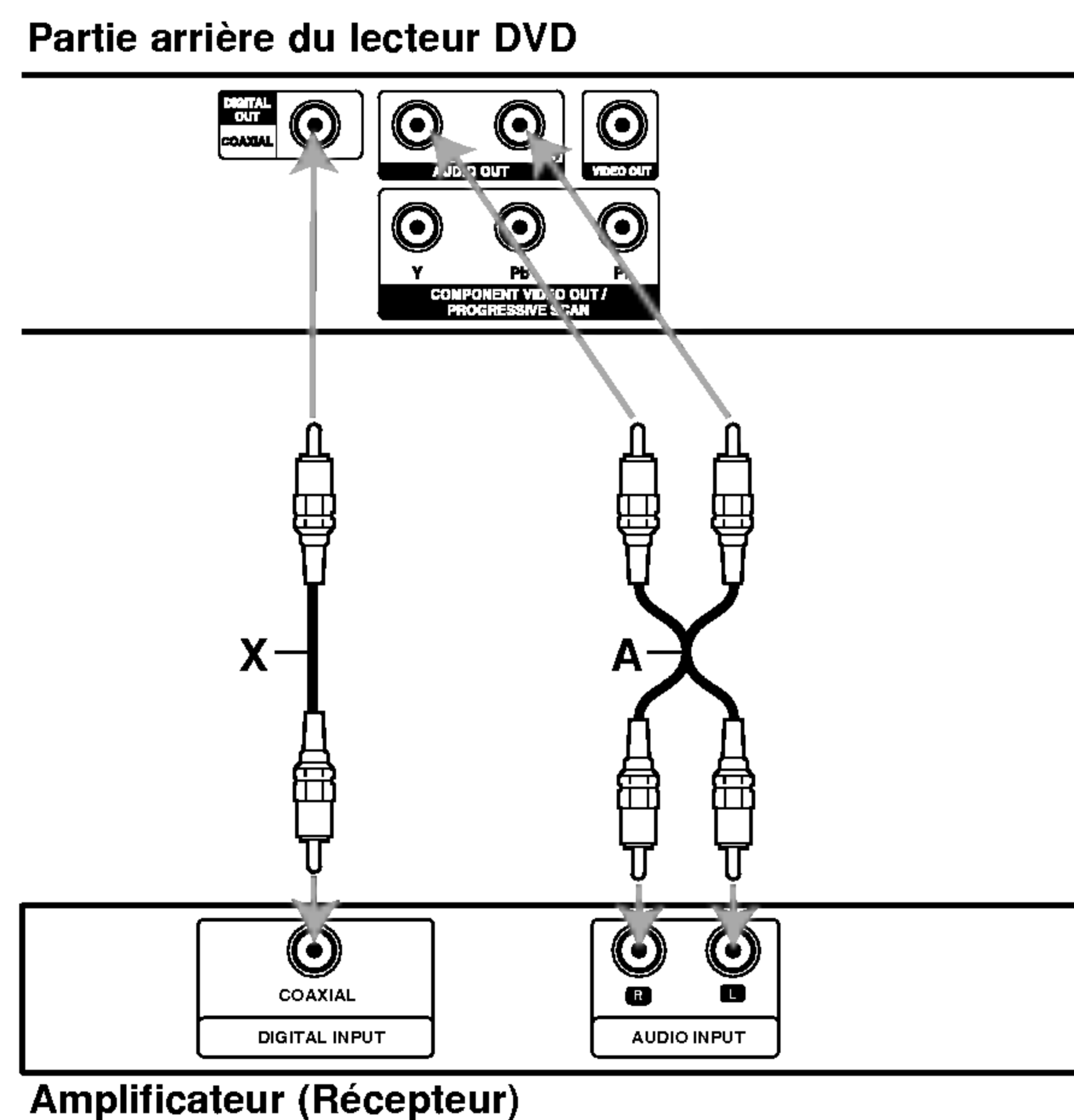
- Réglez le Balayage Progressif sur la position "Marche" dans le menu réglage (setup menu) pour obtenir un signal progressif, voir page 18.
- Réglez le Balayage Progressif sur la position "Arrêt" en enlevant tout disque de l'unité et fermez le plateau à disques. Vérifiez que le message "Pas de Disque" est affiché à l'écran d'affichage. Puis appuyez sur le bouton STOP et maintenez-le enfoncé pendant cinq secondes avant de le lâcher.
- Le Progressive Scan ne marche pas avec les connexions vidéo analogiques (prise jaune SORTIE VIDEO).



Comment installer le lecteur (suite)

Raccordement Audio à un Appareil Optionnel

Raccorder votre lecteur DVD à votre appareil optionnel pour la sortie audio.



Amplificateur équipé d'un stéréo analogique à 2 canaux ou Dolby Pro Logic II / Pro Logic: Raccordez AUDIO OUT gauche (L) et droit (R) du lecteur DVD à l'AUDIO IN gauche (L) et droit (R) de votre amplificateur, récepteur ou système stéréo à l'aide des câbles audio (A).

Amplificateur équipé d'un stéréo numérique à 2 canaux (PMC) ou récepteur audio / vidéo équipé d'un décodeur multicanal (Dolby Digital™, MPEG 2, ou DTS): Raccordez l'un des AUDIO OUT DIGITAL du lecteur DVD (COAXIAL X) à la borne correspondante de votre amplificateur. Employez un câble audio numérique optionnel (coaxial X).

Son Numérique Multicanal

Une connexion numérique multicanal vous fournit la meilleure qualité de son. Pour ce faire, vous avez besoin d'un récepteur audio / vidéo multicanal acceptant l'un ou plusieurs des formats audio de votre lecteur DVD tels que MPEG 2, Dolby Digital et DTS. Consultez le mode d'emploi du récepteur ainsi que les logos du panneau avant du récepteur.

REMARQUES

- Si le format audio de la sortie numérique ne coïncide pas avec les capacités de votre récepteur, celui-ci produit un fort son modifié ou bien aucun son.
- Le Son Multicanal Numérique –Digital Surround Sound- à six Canaux par voie de connexion numérique ne peut s'obtenir que si votre récepteur est équipé d'un décodeur Numérique Multicanal.
- Pour visualiser le format audio du DVD actuel affiché sur votre écran, appuyez sur la touche AUDIO.

Fonctions Générales

Affichage à l'écran **DVD** **VCD**

Certains éléments peuvent être modifiés à l'aide du menu.

1. Appuyez sur DISPLAY lors de la lecture.
2. Appuyez sur ◀ / ▶ pour choisir un item.
L'item choisit est remarqué.
3. Appuyez sur ▲ / ▼ pour en modifier le réglage.
Appuyez sur ENTER.
Vous pouvez également vous servir des boutons numériques s'il en est besoin. (Par exemple, pour saisir le numéro de titre).

T 02:04 : Numéro de titre (Plage), **C** 0:09:28 : Recherche du temps

G 02:04 : Numéro de Chapitre (Disque DVD seulement)

Passer à un autre CHAPITRE/PLAGE **DVD** **VCD**

Lorsqu'un disque a un titre à plusieurs chapitres on peut passer à un autre chapitre/Plage en respectant les étapes suivantes:

Appuyez sur SKIP ◀◀ ou ▶▶ lors de la lecture afin de choisir le chapitre/piste suivant(e) ou pour retourner au début du chapitre/piste actuel(le).

Appuyez sur SKIP ◀◀ deux fois brièvement pour retourner au chapitre/piste précédent(e).

Ralenti **DVD** **VCD**

1. Appuyez sur PAUSE/STEP (||) en cours de lecture.
Le lecteur de DVD se mettra alors en mode PAUSE.
2. Utilisez le bouton SCAN ▶▶ pour sélectionner la vitesse requise :
▶▶ 1/16, ▶▶ 1/8, ▶▶ 1/4, ou ▶▶ 1/2 (avance).
3. Pour sortir du mode Ralenti, appuyez sur PLAY.

Menu Titre **DVD**

Vérification du contenu des disques DVD : Menus

Les DVD peuvent offrir des menus vous permettant d'accéder à des fonctions spéciales. Pour utiliser le menu du disque, appuyez sur TITLE. Saisissez le numéro correspondant ou utilisez les boutons ◀ ▶ ▲ ▼ pour mettre en surbrillance votre sélection. Puis, appuyez sur ENTER.

Menu du Disque **DVD**

Appuyez sur DVD MENU et le menu du disque sera affiché. Appuyez à nouveau sur DVD MENU pour quitter.

Changement de la Langue Audio **DVD**

Appuyez sur AUDIO à plusieurs reprises lors de la lecture pour entendre une langue audio ou une piste audio différente.

Recherche **DVD** **VCD**

1. Appuyez sur SCAN (◀◀ ou ▶▶) en cours de lecture.
2. Appuyez à plusieurs reprises sur SCAN (◀◀ ou ▶▶) pour sélectionner la vitesse requise.
DVD; X2, X4, X16 ou X32
Vidéo CD; X2, X4 ou X8
3. Pour quitter le mode SEARCH, appuyez sur PLAY.

Image Immobilisée et Lecture Trame par Trame

DVD **VCD**

Appuyez sur PAUSE/STEP de la télécommande lors de la lecture. Avancez l'image trame par trame en exerçant des pressions successives sur PAUSE/STEP.

Appuyez sur PLAY pour quitter le mode image par image.

Fonctions Générales (suite)

Recherche du Marqueur **DVD** **VCD**

Pour introduire un Marqueur

On peut enclencher la lecture depuis neuf points mémorisés au maximum. Pour introduire un marqueur, appuyez sur MARKER au point désiré du disque. L'icône du Marqueur est affiché brièvement sur le moniteur TV. Répétez cela afin d'introduire les neuf marqueurs.

Pour retourner à une Scène Marquée ou l'effacer

1. Pendant la lecture, appuyez sur SEARCH. Le menu de recherche du marqueur est affiché sur l'écran.
2. Appuyez sur ◀ / ▶ pendant 10 secondes pour choisir le numéro de marqueur auquel vous voulez retourner ou celui que vous désirez effacer.
3. Appuyez sur ENTER et la lecture commencera depuis la scène marquée. Ou bien appuyez sur CLEAR et le numéro du marqueur sera effacé sur la liste.
4. On peut lire une scène marquée quelconque en introduisant son numéro sur le menu de recherche du marqueur.

Répéter A-B **DVD** **VCD**

Pour répéter une séquence.

1. Appuyez sur A-B au point où l'on veut que la lecture en reprise commence. "A" est affiché momentanément sur l'écran de votre TV.
2. Appuyez sur A-B à nouveau au point où l'on veut que la lecture en reprise finisse. "A B" est affiché momentanément sur l'écran de votre TV et commence à répéter la séquence.
3. Appuyez sur A-B à nouveau pour annuler.

Répéter **DVD** **VCD**

Appuyez sur REPEAT lors de la lecture pour choisir le mode de répétition désiré.

Disques Vidéo DVD

- Chapitre: répète le chapitre actuel.
- Titre: répète le titre actuel.
- Arrêt: n'effectue pas de lecture à répétition.

Disques Vidéo

- Piste: répète la plage actuelle.
- Tout: répète toutes les plages dans un disque
- Arrêt: n'effectue pas de lecture à répétition.

REMARQUES

- Pour un disque vidéo ayant PBC, on doit mettre le PBC en Off sur le menu du réglage initial pour se servir de la fonction de répétition. (Voir "PBC" page 22).
- Si vous appuyez sur SKIP (▶▶) une fois lors de la répétition de lecture d'un Chapitre (Plage), celle-ci est annulée.

Aléatoire **VCD**

1. Appuyez sur RANDOM au cours de la lecture. L'unité démarrera automatiquement la lecture aléatoire et le message "Aléatoire" s'affichera sur l'écran.
2. Pour revenir au mode de lecture normale, appuyez à plusieurs reprises sur RANDOM jusqu'à ce que "Normal" apparaisse sur la fenêtre menu.

CONSEIL

- Si vous appuyez sur SKIP ▶▶ au cours de la lecture aléatoire, l'unité sélectionnera une autre piste et reprendra la lecture aléatoire.
- Pour un disque compact de vidéo ayant PBC, on doit mettre le PBC en Off sur le menu de réglage initial afin d'utiliser la fonction de Aléatoire (Voir "PBC" page 22).

Fonctions Générales (suite)

Zoom **DVD** **VCD**

Utilisez le zoom pour élargir l'image vidéo.

1. Appuyez sur ZOOM au cours de la lecture pour activer la fonction Zoom.
2. À chaque fois que vous appuyez sur le bouton ZOOM, l'écran change suivant cette séquence: 200% → 300% → 400% → Normal (4 niveaux).
3. Employez les touches ◀ ▶ ▲ ▼ pour bouger à l'intérieur de l'image élargie.
4. Pour revenir au mode de lecture normal, appuyez à plusieurs reprises sur les boutons CLEAR.

REMARQUE

Le zoom risque d'être inopérant pour quelques DVD.

Changements des Angles **DVD**

Si le disque comporte des séquences tournées simultanément de différents angles, on peut changer l'angle de visionnement lors de la lecture. Exercez des pressions successives sur ANGLE pendant la lecture pour choisir l'angle désiré. Observez que le numéro d'angle actuel soit affiché sur l'écran.

Sous-titres **DVD**

Appuyez sur SUBTITLE à plusieurs reprises lors de la lecture pour visualiser les différentes langues de sous-titres.

Changement du Canal Audio **VCD**

Appuyez sur AUDIO à plusieurs reprises lors de la lecture pour entendre un canal audio différent (Stéréo, Gauche ou Droit).

Mémoire de la Dernière Scène **DVD** **CD** **VCD**

Ce lecteur mémorise la dernière scène du dernier disque lu. La scène reste dans la mémoire même si le disque est enlevé du boîtier ou si l'appareil est débranché. Si l'on introduit un disque ayant une scène mémorisée, la scène est automatiquement lue.

REMARQUE

Ce lecteur ne mémorise pas les réglages d'un disque si vous avez mis le lecteur hors tension avant d'en commencer la lecture.

Economiseur d'Écran

L'économiseur d'écran est affiché lorsque le lecteur DVD est laissé en mode de lecture arrêtée pendant cinq minutes environ. Une fois que l'Économiseur d'Écran s'enclenche pendant cinq minutes, le lecteur DVD s'éteint automatiquement.

Sélection du système

Vous devez sélectionner le mode du système approprié pour votre système de télévision.

Si le message "Pas de disque" s'affiche à l'écran d'affichage, appuyez sur le bouton PAUSE/STEP et maintenez-le enfoncé pendant plus de 5 secondes pour activer la sélection d'un système (PAL, NTSC, ou Auto).

Lecture d'un CD Audio ou Disque MP3/WMA

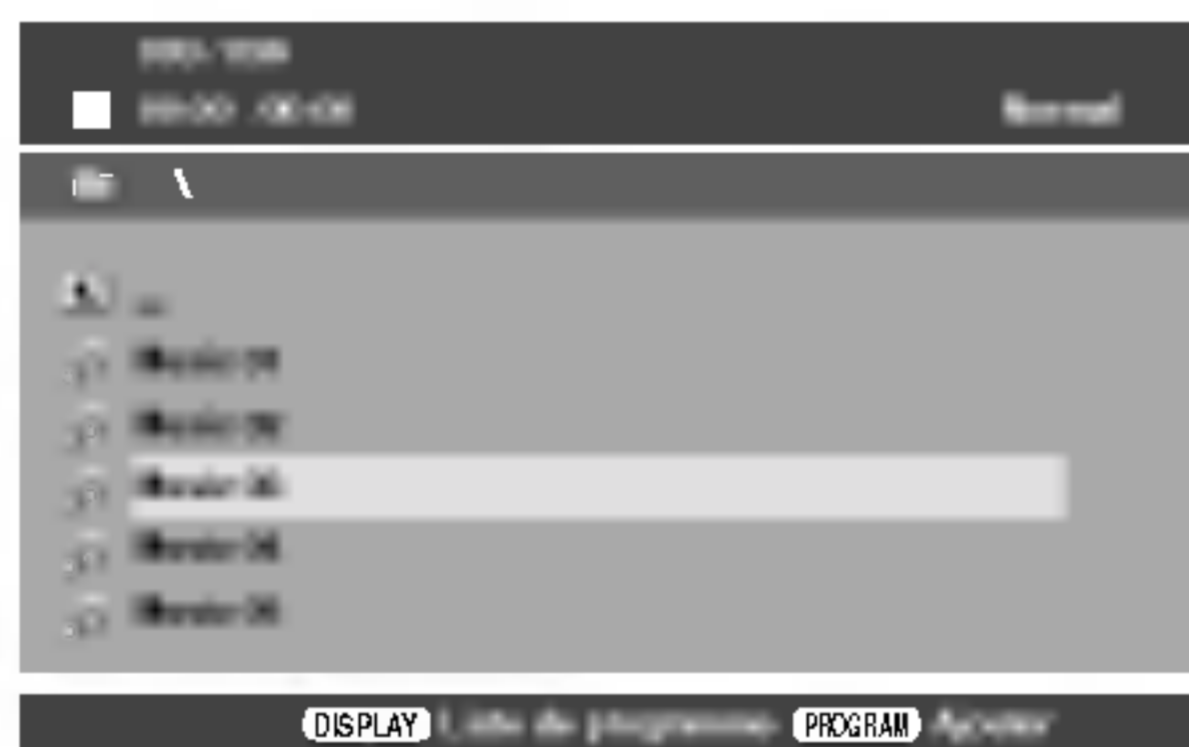
CD Audio

Lorsque vous introduisez un CD audio, un menu est affiché sur le moniteur TV. Appuyez sur ▲ / ▼ pour choisir une piste et appuyez après sur PLAY ou ENTER pour enclencher la lecture.




MP3 / WMA

1. Appuyez sur ▲ / ▼ pour sélectionner un dossier, puis appuyez sur PLAY ou ENTER pour voir le contenu du dossier.
2. Appuyez sur ▲ / ▼ pour choisir une piste et appuyez après sur PLAY ou ENTER pour démarrer la lecture.



CONSEILS

- Si vous êtes dans le menu MUSIQUE et que vous voulez revenir sur la liste de dossiers, utilisez les boutons ▲ / ▼ pour mettre en surbrillance , puis appuyez sur PLAY ou ENTER.
- Appuyez sur DVD MENU pour vous déplacer vers la page suivante. Appuyez sur TITLE pour vous déplacer vers la page précédente.
- Sur un CD contenant des fichiers MP3/WMA et JPEG vous pouvez basculer vers les menus MP3/WMA et JPEG.
Appuyez sur ▲ / ▼ pour sélectionner un dossier, puis appuyez sur ENTER pour voir le contenu du dossier.

La compatibilité du disque MP3 / WMA avec l'appareil est ainsi limitée:

- Fréquence d'échantillonnage: entre 8 - 48kHz (MP3), entre 32 - 48kHz (WMA)
- Vitesse de Bit: entre 8 - 320kbps (MP3), 32 - 192kbps (WMA)
- L'appareil ne peut pas effectuer la lecture d'un fichier MP3/WMA comportant autre extension qui ne soit pas ".mp3" / ".wma".
- Le format physique du CD-R devra être ISO 9660.
- Si des fichiers MP3 / WMA sont enregistrés à l'aide d'un logiciel ne pouvant pas créer de système de fichier (ex.: Direct-CD), il est impossible de lire les fichiers MP3/ WMA. L'emploi de Easy-CD Creator créant un système de fichier ISO 9660 est conseillé.
- Les noms des fichiers devront comporter 8 lettres au maximum et incorporer une extension.mp3 ou .wma.
- Ils ne doivent pas comporter de caractères spéciaux tels que / ? * : " < > | etc.
- Le nombre total de fichiers sur le disque devra être inférieur à 648.

Ce lecteur DVD exige des disques et des enregistrements conformes à certains standards techniques afin d'atteindre une qualité de lecture optimale. Les DVD pre-enregistrés sont conçus pour respecter automatiquement ces standards. Il existe plusieurs types de formats de disques à enregistrer différents (y compris CD-R, contenant des fichiers MP3 ou WMA) et ceux-ci demandent certaines conditions pre-existantes (voir ci-dessus) afin d'en assurer une lecture compatible.

Les clients doivent savoir qu'une autorisation est requise pour télécharger des archives MP3 / WMA ainsi que de la musique depuis l'Internet. Notre entreprise n'a pas le droit d'octroyer cette permission-là. Celle-ci devra être toujours demandée au détenteur de droits d'auteur.

Lecture d'un CD Audio ou Disque MP3/WMA (suite)

Fonctions de CD Audio et Disque MP3 /WMA

Pause **CD** **MP3** **WMA**

1. Appuyez sur PAUSE/STEP lors de la lecture.
2. Pour reprendre la lecture, appuyez sur PLAY, ENTER ou appuyez sur PAUSE/STEP à nouveau.

Passer à une autre Plage **CD** **MP3** **WMA**

1. Appuyez sur SKIP (◀◀ ou ▶▶) quelques secondes lors de la lecture pour passer à la piste suivante ou pour retourner au début de la plage actuelle.
2. Appuyez sur SKIP ◀◀ deux fois brièvement pour retourner à la piste précédente.
3. Vous pouvez lire une plage quelconque en introduisant son numéro.

Aléatoire **CD** **MP3** **WMA**

1. Appuyez sur le bouton RANDOM (lecture aléatoire) en cours de lecture. L'unité démarrera automatiquement la lecture aléatoire et le message Aléatoire apparaîtra sur l'écran du menu.
2. Pour revenir au mode de lecture normal, appuyez à plusieurs reprises sur RANDOM jusqu'à ce que "Normal" apparaisse sur la fenêtre menu.

CONSEIL

En appuyant sur SKIP ▶▶ lors de la lecture aléatoire, l'appareil sélectionne une autre piste et continue à lire au hasard.

Répéter Plage/Tout/Normal **CD** **MP3** **WMA**

Vous pouvez lire une piste/tout sur un disque.

1. Appuyez sur REPEAT au moment de lire un disque. L'icône de répétition est affichée.
2. Appuyez sur REPEAT pour choisir le mode de répétition désiré.
 - Plage: répète la plage actuelle.
 - Tout: répète toutes les plages d'un disque
 - Normal: n'effectue pas de lecture de répétition.

REMARQUE

Si vous appuyez sur SKIP (▶▶) une fois lors de la répétition d'une piste, la fonction de répétition est annulée.

Répéter A-B **CD** **MP3** **WMA**

1. Pour répéter une séquence lors de la lecture d'un disque appuyez sur A-B au point où l'on veut que la lecture à reprise commence. L'icône Répéter et "A " sont affichés sur le menu d'écran.
2. Appuyez sur A-B à nouveau au point où l'on veut que la lecture à reprise finisse. L'icône Répéter et "A B" sont affichés sur le menu d'écran et la séquence commence à être reproduite à plusieurs reprises.
3. Pour quitter la séquence et reprendre la lecture normale, appuyez sur A-B à nouveau.

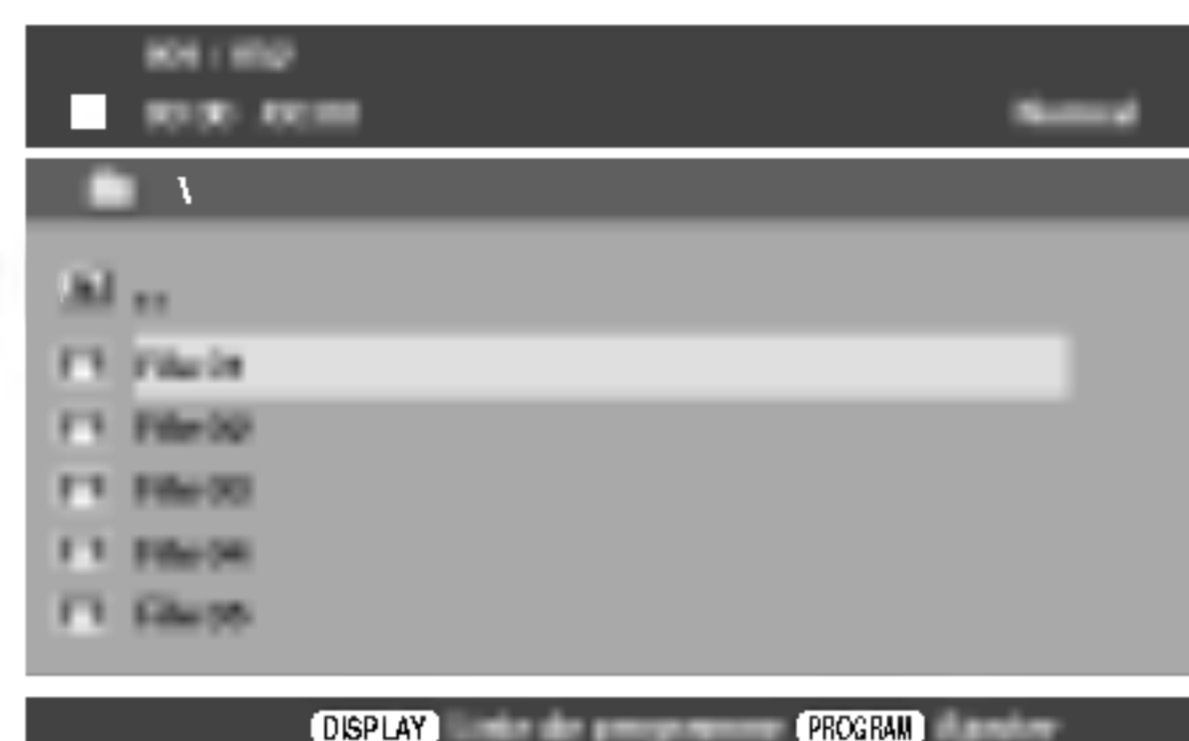
Recherche **CD** **MP3** **WMA**

1. Appuyez sur SCAN (◀◀ ou ▶▶) en cours de lecture.
2. Appuyez à plusieurs reprises sur SCAN (◀◀ ou ▶▶) pour sélectionner la vitesse requise.
2X, 4X ou 8X
3. Pour quitter le mode SCAN, appuyez sur PLAY.

Visionnement d'un Disque JPEG

L'utilisation de ce lecteur de DVD vous permet le visionnement de disques contenant des fichiers JPEG.

1. Introduisez un disque et fermez le boîtier.
Le menu PHOTO est affiché sur le moniteur.



2. Appuyez sur ▲ / ▼ pour sélectionner un dossier, puis appuyez sur ENTER ou PLAY.
Une liste des fichiers dans le dossier s'affiche. Si vous êtes dans une liste de fichiers et que vous voulez revenir sur la liste de dossiers, utilisez les boutons ▲ / ▼ dans la télécommande pour mettre en surbrillance et appuyez sur ENTER ou PLAY.
3. Si vous voulez regarder un fichier en particulier, appuyez sur ▲ / ▼ pour mettre en surbrillance le fichier dont il est question et appuyez ensuite sur ENTER ou PLAY. Le processus de visionnement du fichier démarre.
Vous pouvez appuyer sur STOP pour vous déplacer vers le menu précédent (menu PHOTO) au cours du visionnement d'une image.

CONSEILS

- Appuyez sur DVD MENU pour vous déplacer vers la page suivante.
Appuyez sur TITLE pour vous déplacer vers la page précédente.
- Sur un CD contenant des fichiers MP3/WMA et JPEG vous pouvez basculer vers les menus MP3/WMA et JPEG.
Appuyez sur ▲ / ▼ pour sélectionner un dossier, puis appuyez sur ENTER pour voir le contenu du dossier.

Se déplacer vers un autre fichier **JPEG**

Appuyez une fois sur SKIP (◀◀ ou ▶▶) lors du visionnement d'une image pour avancer vers le fichier suivant ou précédent.

Pour pivoter l'image

Appuyez sur ◀ / ▶ pendant que vous voyez une image pour la pivoter dans le sens des aiguilles d'une montre ou dans le sens contraire.

Image Immobilisée **JPEG**

1. Appuyez sur PAUSE/STEP pendant le visionnement d'une diapositive. L'appareil sera mis maintenant en mode PAUSE.
2. Pour retourner au visionnement de la diapositive, appuyez sur PLAY, ENTER ou appuyez sur PAUSE/STEP à nouveau.

Zoom **JPEG**

Utilisez zoom pour élargir l'image photo.

1. Appuyez sur ZOOM au cours de la lecture pour activer la fonction Zoom.
2. À chaque fois que vous appuyez sur le bouton ZOOM, l'écran change suivant cette séquence:
100% → 150% → 200% → 100%
3. Employez les touches ◀ ▶ ▲ ▼ pour bouger à l'intérieur de l'image élargie.
4. Pour reprendre la lecture normale, appuyez sur PLAY ou à plusieurs reprises sur ZOOM pour sélectionner 100%.

La compatibilité du disque JPEG avec ce lecteur est ainsi limitée:

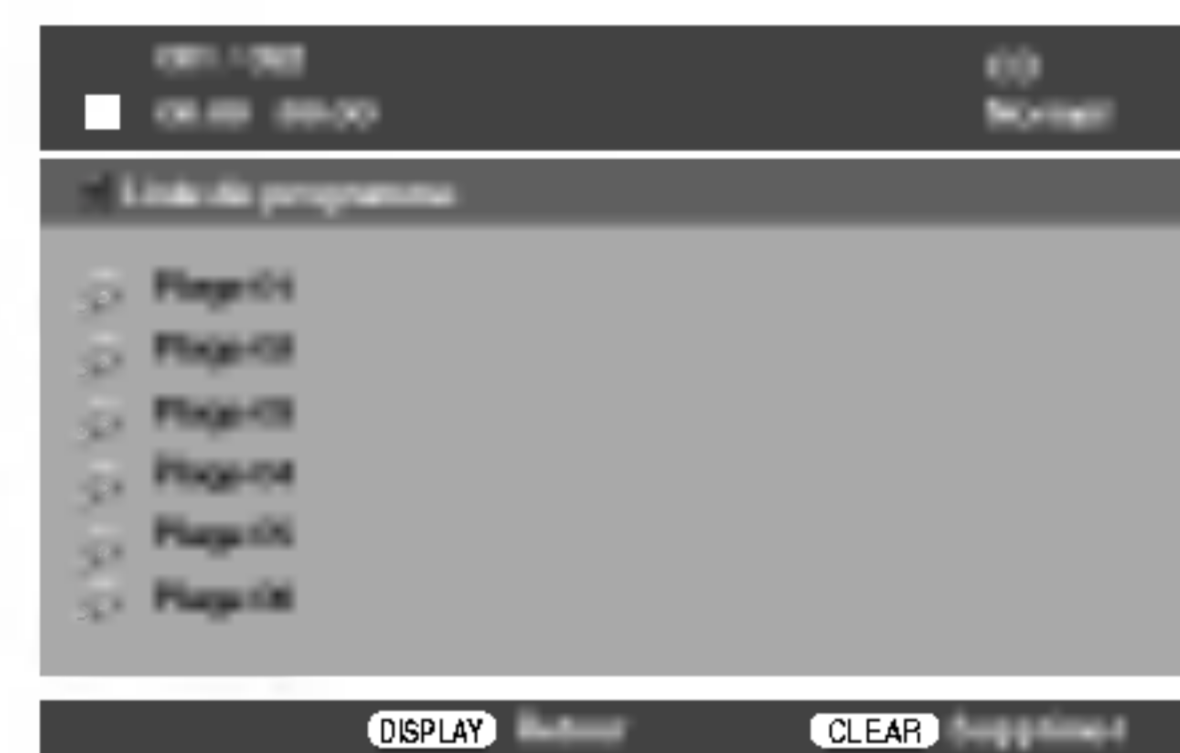
- En fonction de la taille et du nombre des fichiers JPEG, il peut prendre longtemps pour que le lecteur de DVD lisse les contenus du disque. Si vous ne voyez pas l'affichage sur écran après plusieurs minutes, c'est peut être que certains fichiers sont trop longs, faites diminuer la résolution des fichiers JPEG au-dessus des 2M pixels comme 2760 x 2048 pixels et enregistrer un autre disque.
- Le nombre de fichiers et de dossiers sur le disque devra être inférieur à 648.
- Vérifiez que tous les fichiers sélectionnés aient des extensions ".jpg" au moment de les copier sur le lay-out du CD.
- Si les fichiers ont des extensions ".jpe" ou ".jpeg", prière de les enregistrer comme des fichiers ".jpg".
- Les fichiers sans extension ".jpg" ne pourront pas être lus par ce lecteur DVD. Même dans le cas où les fichiers sont montrés comme des fichiers d'image JPEG sur l'Explorateur de Windows.

Lecture programmée **CD** **MP3** **WMA**

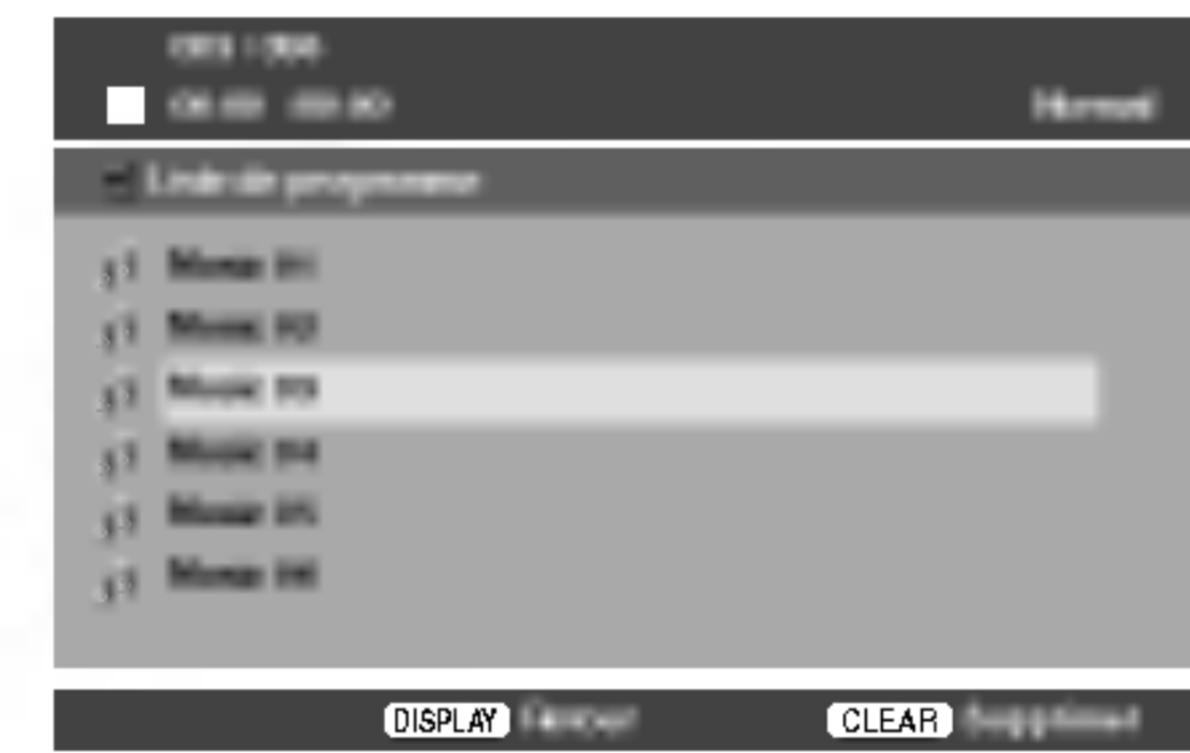
La fonction Programme vous permet de garder vos pistes favorites dans la mémoire du lecteur, à partir d'un disque donné.

Un programme peut contenir 30 pistes (CD audio, MP3/WMA).

1. Insérez un disque. (CD audio, MP3 ou WMA.)
2. Appuyez sur ▲ / ▼ pour sélectionner le fichier désiré.
3. Appuyez sur PROGRAM au cours de la lecture ou lorsque l'unité est en mode arrêt.
Appuyez encore sur PROGRAM pour insérer d'autres pistes dans la liste programmée.
4. Appuyez sur DISPLAY. Le menu de la liste programmée s'affichera.
Appuyez sur ▲ / ▼ pour sélectionner la piste à partir de laquelle vous voulez faire démarrer la lecture.
Appuyez sur DVD MENU pour vous déplacer vers la page suivante.
Appuyez sur TITLE pour vous déplacer vers la page précédente.



Menu CD audio



Menu MP3/WMA

5. Appuyez sur PLAY ou ENTER pour démarrer la lecture.
6. Pour reprendre le mode de lecture normal à partir de la lecture programmée.
Appuyez sur DISPLAY, puis sélectionnez une piste de la liste, appuyez ensuite sur PLAY ou ENTER.

Effacement d'une piste de la liste programmée

1. Utilisez les boutons ▲ / ▼ pour sélectionner la piste que vous voulez effacer de la liste programmée.
2. Appuyez sur CLEAR. Répétez cela pour effacer d'autres pistes de la liste.

Pour plus de détails sur chaque élément de cette fonction, reportez-vous à la page pertinente.

Configuration initiale

En vous servant du menu Setup (configuration), vous pouvez réaliser de divers réglages à des items tels que l'image et le son. En outre, vous pouvez choisir une langue pour les sous-titres et le menu de configuration. Se reporter aux pages 17 à 22 pour avoir plus de détails sur les items du menu Setup.

Pour afficher et effacer le menu:

Appuyez sur SETUP pour montrer le menu. Si vous appuyez une autre fois sur SETUP, vous retournez à l'écran initial.

Pour passer au niveau suivant:

Appuyez sur ► de la télécommande.

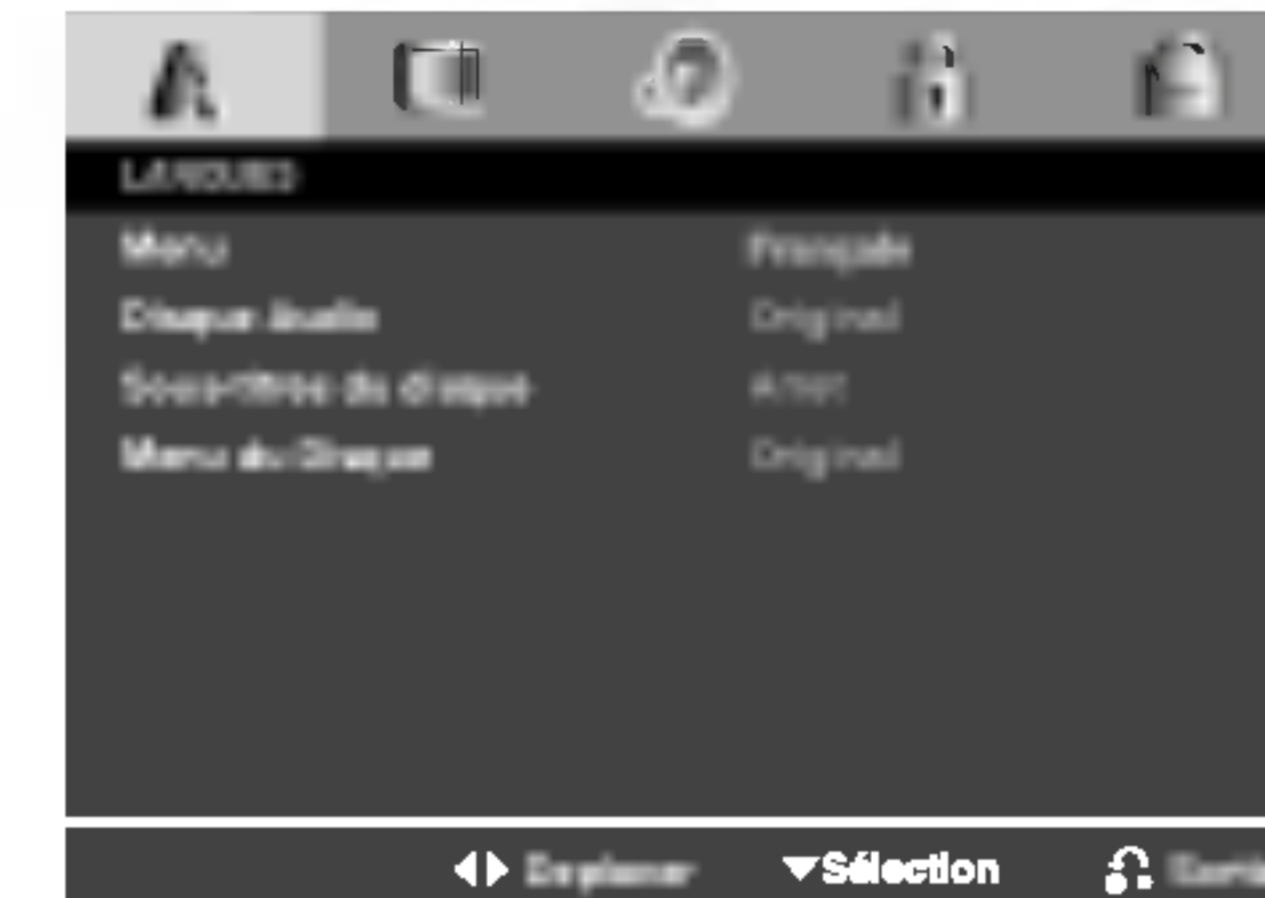
Pour revenir au niveau antérieur:

Appuyez sur ◀ de la télécommande.

Opération Générale

1. Appuyez sur SETUP. Le menu de configuration apparaît affiché.
2. Employez ◀ / ► pour choisir l'option désirée, appuyez après sur ▼ ou ENTER pour passer au deuxième niveau. L'écran affiche la configuration actuelle pour l'item choisi, de même que pour la configuration alternative.
3. Employez ▲ / ▼ pour choisir la deuxième option désirée, appuyez après sur ► pour passer au troisième niveau.
4. Employez ▲ / ▼ pour choisir la configuration désirée, appuyez après sur ENTER pour confirmer votre choix. Quelques sélections demandent des procédures supplémentaires.
5. Appuyez sur SETUP, RETURN ou PLAY pour sortir du menu Configuration.

LANGUES



Menu

Choisissez une langue pour le menu de configuration et l'affichage sur écran.

Disque Audio / Sous-titre / Menu **DVD**

Choisissez la langue de votre préférence pour la piste audio (audio du disque), les sous-titres et le menu du disque.

Original: Il fait référence à la langue originale dans laquelle le disque a été enregistré.

Other – (Autre): Pour choisir une autre langue, appuyez sur les touches numériques, après sur ENTER pour introduire le numéro correspondant à 4 chiffres selon la liste de codes des langue dans le chapitre de référence. Si vous introduisez un code de langue incorrect, appuyez sur CLEAR.

Configuration initiale (suite)

AFFICHAGE



Aspect TV **DVD**

4:3: Choisissez-le lorsque l'appareil est raccordé à un moniteur TV de taille standard 4:3 .

16:9: choisissez-le lorsque l'appareil est raccordé à un moniteur TV grand écran de 16:9

Mode d'affichage **DVD**

La configuration mode d'écran fonctionne uniquement lorsque le mode d'Aspect du Téléviseur est en "4:3"

Letterbox: Montre une image large avec des bandes en haut et en bas de l'écran.

Panscan: Montre automatiquement l' image large sur la totalité de l'écran et coupe les bords excédants.

Progressive Scan

Le Progressive Scan Vidéo vous offre la plus haute qualité en images avec moins de scintillement. Si vous utilisez les prises Composant Vidéo pour connexion à un téléviseur ou moniteur qui est compatible avec un signal de balayage progressif, réglez le Progressive Scan sur la position Marche. Appuyez sur ENTER pour confirmer votre sélection. Le menu de confirmation s'affichera.

REMARQUE

Vous ne pourrez régler l'option balayage progressif que si l'option de sélection de sortie du téléviseur est réglée sur "YPbPr".

Attention

Si votre téléviseur n'accepte pas le format Balayage Progressif, l'image apparaîtra brouillée si vous essayez d'utiliser le Balayage Progressif du Lecteur de DVD.

Si vous réglez le Balayage Progressif sur la position On (marche) par erreur, vous devrez rétablir l'unité.

- 1) Appuyez sur ►. A l'aide des boutons ▲ / ▼, sélectionnez "Arrêt".
Le menu de configuration apparaît affiché.
- 2) Appuyez sur le bouton STOP et maintenez-le enfoncé pendant cinq secondes avant de le lâcher. La sortie vidéo sera rétabli à l'état initial, et l'image sera à nouveau visible sur un téléviseur ou moniteur analogique conventionnel.

Sortie TV

Réglez les options Sortie TV du lecteur selon le type de raccordement de TV.

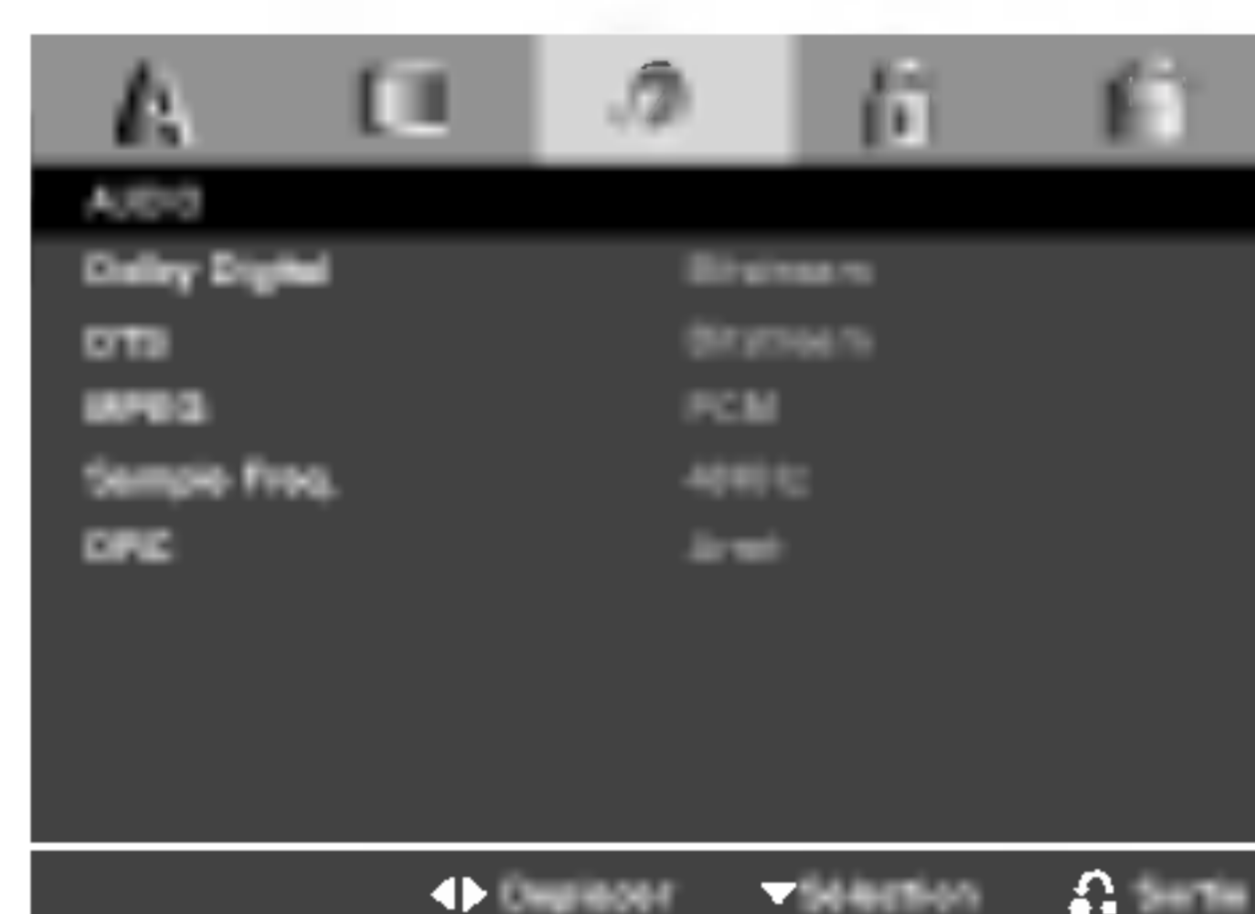
YPbPr: Quand votre TV est reliée aux jacks de COMPONENT VIDEO OUT/PROGRESSIVE SCAN sur le lecteur de DVD.

RGB: Quand votre TV est reliée au jack de SCART (signal de RVB).

Configuration initiale (suite)

AUDIO

Chaque disque DVD possède une variété d'options de sortie audio. Introduisez les options AUDIO du lecteur selon le type de système audio dont vous vous servez.



Dolby Digital / DTS / MPEG **DVD**

Bitstream: choisissez "Bitstream" si vous avez raccordé le DIGITAL OUT du lecteur DVD à un amplificateur ou à un autre appareil ayant un décodeur Dolby Digital, DTS ou MPEG.

PCM (pour Dolby Digital / MPEG): Choisissez-le lorsque vous êtes raccordé à un amplificateur stéréo numérique à deux canaux. Les DVD encodés avec Dolby Digital ou MPEG seront mélangés à nouveau automatiquement à un audio PCM de deux canaux.

Arret (pour DTS): Si vous choisissez "Arret", le signal DTS du raccordement DIGITAL OUT n'est pas émis.

Sample Freq. (fréquence) **DVD**

Si votre récepteur ou amplificateur N'EST pas capable de recevoir des signaux de 96 kHz, choisissez 48kHz. Lorsque vous modifiez la fréquence, cet appareil transforme automatiquement tout signal de 96 kHz en 48 kHz, votre système peut ainsi les décoder.

Si votre récepteur ou amplificateur est capable de recevoir des signaux de 96kHz, choisissez 96 kHz. Dans ce cas, cet appareil émet chaque type de signal sans avoir recours à aucun processus.

Consultez la documentation de votre amplificateur afin de vérifier ses capacités.

Contrôle du Rang Dynamique (DRC) **DVD**

En vous servant du format DVD, vous pouvez entendre la bande de son d'un programme sous la présentation la plus réaliste et précise possible, grâce à la technologie audio numérique. Cependant, vous pouvez désirer compresser le rang dynamique de la sortie audio (la différence entre les sons les plus aigus et les plus graves). Cela vous permet d'entendre un film à un volume plus bas sans perdre la clarté du son. Mettez le DRC en Marche afin d'obtenir cet effet.

Configuration initiale (suite)

VERROUILLAGE (Contrôle des parents)



contrôle parental **DVD**

Certains films contiennent des scènes qui ne conviennent pas aux enfants. Plusieurs de ces disques comportent de l'information pour le contrôle parental applicable au disque tout entier ou à certaines scènes dans le disque. Les films et les scènes sont classés de 1 à 8, en fonction du pays. Certains disques offrent des scènes plus convenables comme alternative.

La fonction contrôle parental vous permet de bloquer l'accès aux scènes au-dessous de la Contrôle parental que vous avez établie, empêchant ainsi les enfants de regarder le matériel qui vous semble non convenable.

Contrôle parental 1-8: La Contrôle parental "un" (1) comporte le plus grand nombre de restrictions alors que la Contrôle parental "huit" (8) est la moins restrictive.

Déverrouillage : Si vous sélectionnez Déverrouiller, le contrôle parental ne sera pas activé et le disque sera lu en entier.

REMARQUE

Si vous sélectionnez une contrôle parental pour ce lecteur, toutes les scènes du disque ayant la même contrôle parental ou une contrôle parental inférieure seront lues. Les scènes ayant une contrôle parental supérieure ne seront pas lues, à moins qu'une scène alternative ne soit disponible sur le disque. La scène alternative doit avoir la même contrôle

parental ou une contrôle parental inférieure à celle établie pour le lecteur. S'il n'y a aucune scène alternative convenable, la lecture s'arrêtera. Vous devrez alors saisir le code d'accès à 4 chiffres ou modifier le niveau de la contrôle parental pour permettre la lecture de ce disque.

1. Sélectionnez contrôle parental dans le menu VERROUILLAGE, puis appuyez sur ►.
2. À l'aide des boutons ▲ / ▼, sélectionnez une contrôle parental de 1 à 8, puis appuyez sur ENTER.
3. **Si vous n'avez pas encore saisi un code d'accès :**
Une fois la section "Nouveau mot de passe" mise en surbrillance, utilisez les boutons numériques pour saisir un code d'accès à 4 chiffres, puis appuyez sur ENTER. Une fois la section "Confirmer mot de passe" mise en surbrillance, saisissez encore une fois le code de sécurité à 4 chiffres pour vérification. "OK" sera mis en surbrillance.
Si vous avez déjà saisi un code d'accès :
À l'aide des boutons numériques, saisissez le code d'accès à 4 chiffres que vous aviez créé. "OK" sera mis en surbrillance.
4. Appuyez sur ENTER pour confirmer votre sélection concernant la contrôle parental, puis appuyez sur SETUP pour sortir du menu.

CONSEILS

- Si vous vous trompez de code d'accès avant d'appuyer sur ENTER dans chaque section, appuyez à plusieurs reprises sur CLEAR pour le saisir de nouveau ou sur ◀ pour effacer un à un les numéros du code d'accès et le corriger par la suite.
- Si vous saisissez un code d'accès incorrect, vous ne pourrez pas passer à l'étape suivante.

Configuration initiale (suite)

Mot De Passe (code de sécurité)

Vous pouvez créer ou modifier le code d'accès.

1. Sélectionnez Code d'accès dans le menu VERROUILLAGE, puis appuyez sur ►. "Changement" sera mis en surbrillance.
2. Appuyez sur ENTER. La fenêtre du code d'accès sera alors affichée.

3. Pour créer un code d'accès nouveau :

Une fois la section "Nouveau mot de passe" mise en surbrillance, utilisez les boutons numériques pour saisir un code d'accès à 4 chiffres, puis appuyez sur ENTER. Une fois la section "Confirmer mot de passe" mise en surbrillance, saisissez encore une fois le code d'accès à 4 chiffres pour vérification. "OK" sera mis en surbrillance.

Pour modifier le code d'accès :

Une fois la section "Ancien mot de passe" mise en surbrillance, saisissez le code d'accès à 4 chiffres que vous aviez créé, puis appuyez sur ENTER. La section "Nouveau mot de passe" sera mise en surbrillance. À l'aide des boutons numériques, saisissez un code d'accès à 4 chiffres nouveau, puis appuyez sur ENTER. Une fois la section "Confirmer mot de passe" mise en surbrillance, saisissez encore une fois le nouveau code de sécurité à 4 chiffres pour vérification. "OK" sera mis en surbrillance.

4. Appuyez sur SETUP pour quitter le menu.

Si vous oubliez votre code de sécurité

Si vous oubliez votre code de sécurité, vous pouvez l'effacer en utilisant la procédure suivante :

1. Enlevez tout disque de l'unité et fermez le plateau à disque. Vérifiez que le message "nodISC" est affiché sur l'écran d'affichage.
2. Appuyez sur SETUP et le menu configuration s'affichera sur l'écran du téléviseur. Utilisez les boutons numériques pour saisir le numéro à 6 chiffres "210499". Vérifiez que le message "P-CLr" (effacer code d'accès) est affiché sur l'écran d'affichage.
3. Saisissez un nouveau code d'accès, comme décrit ci-dessus.

Code régional **DVD**

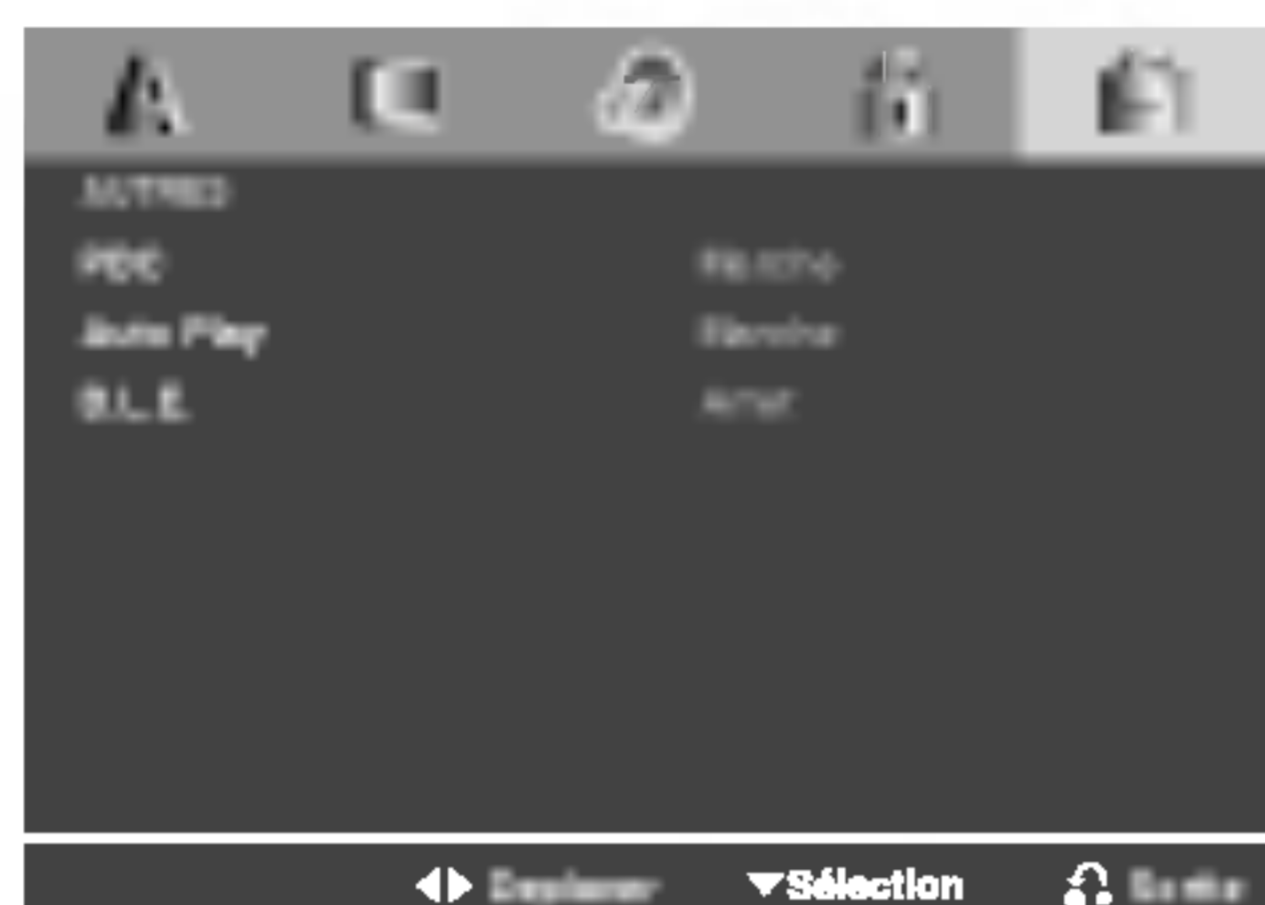
Saisissez le code régional dont les standards ont été utilisés pour classer le disque DVD vidéo. Pour ce faire, reportez-vous au chapitre de référence.

1. Sélectionnez "Code régional" dans le menu VERROUILLAGE, puis appuyez sur ►.
2. À l'aide des boutons ▲ / ▼, sélectionnez le premier caractère.
3. Déplacez le curseur en utilisant le bouton ► et sélectionnez le deuxième caractère à l'aide des boutons ▲ / ▼, puis appuyez sur ENTER, la fenêtre du code d'accès s'affichera alors.
4. Appuyez sur ENTER. La fenêtre du code d'accès s'affichera.
5. **Si vous n'avez pas encore saisi un code d'accès :**
Une fois la section "Nouveau mot de passe" mise en surbrillance, utilisez les boutons numériques pour saisir un code d'accès à 4 chiffres, puis appuyez sur ENTER. Une fois la section "Confirmer mot de passe" mise en surbrillance, saisissez encore une fois le code de sécurité à 4 chiffres pour vérification. "OK" sera mis en surbrillance.
6. Appuyez sur ENTER pour confirmer votre sélection concernant le code régional, puis appuyez sur SETUP pour quitter le menu.

Configuration initiale (suite)

AUTRES

Les réglages pour PBC, Auto Play et B.L.E. peuvent être changés.



PBC **VCD**

Mettre le contrôle de lecture (PBC) en Marche ou Arrêt.

Marche: Les CD vidéo ayant PBC sont lus selon le PBC.

Arrêt: Les CD vidéo ayant PBC sont lus de la même manière que les CD audio.

REMARQUE

- **PBC: Commande de Lecture (CD vidéo uniquement)**

La Commande de lecture est disponible pour les formats des disques version 2.0 de CD vidéo (VCD). PBC vous permet d'interagir avec le système à partir des menus, des fonctions de recherche et tout autre opération propre à un ordinateur. Par ailleurs, les images immobiles de haute résolution peuvent être lues si elles sont enregistrées sur le disque. Les CD vidéo ne comportant pas de PBC (Version 1.1) fonctionnent comme les CD audio.

- Appuyez sur les touches numériques pour choisir le numéro de piste désirée et appuyez sur RETURN pour retourner au menu d'écran. Les réglages du menu et les procédures de fonctionnement peuvent différer. Suivez les indications affichées sur le menu. Vous pouvez aussi mettre le PBC en Arrêt.

Auto Play **DVD**

Vous pouvez configurer votre lecteur DVD de sorte qu'un disque DVD commence à être lu automatiquement dès que vous l'introduisez dans le boîtier.

Si le mode Auto Play est en Marche, ce lecteur DVD cherchera le titre dont le temps de lecture est le plus long et en effectuera la lecture automatiquement.

Marche: Fonction Auto Play activée.

Arrêt: Fonction Auto Play désactivée.

REMARQUE

La fonction Auto Play risque de ne pas fonctionner pour quelques DVD.

B.L.E. (Expansion du Niveau du Noir)

Pour sélectionner le niveau de noir des images lues.

Réglez-le suivant votre préférence et la capacité du moniteur.

Marche: Echelle des gris élargie. (point de coupure à 0 IRE)

Arrêt: Echelle des gris standard. (point de coupure à 7.5 IRE)

REMARQUE

La fonction BLE ne marche qu'avec le système NTSC.

Fonctions supplémentaires

REMARQUES SUR LES DROITS D'AUTEUR:

La Loi interdit de copier, transmettre, diffuser, transmettre par câble, reproduire devant un public, ou louer du matériel protégé par des droits d'auteur sans autorisation.

Cet appareil possède la fonction de protection contre copie développée par Macrovision. Les marques de protection contre copie sont enregistrées sur quelques disques. Lorsque l'on enregistre et l'on reproduit les images de ces disques-là vous constaterez du bruit d'image. Cet appareil comporte une technologie de protection de droits d'auteur qui est protégée par des droits des méthodes de quelques brevets des EEUU et par d'autres droits de propriété intellectuelle qui sont la propriété de Macrovision Corporation ainsi que d'autres détenteurs de droits. L'emploi de cette technologie de protection de droits d'auteur doit être autorisée par Macrovision Corporation, et est destinée uniquement à l'utilisation domestique ou à d'autres espaces de diffusion limitée sauf autorisation contraire de la part de Macrovision Corporation. La décompilation et le démontage de cet appareil sont interdits.

LES CLIENTS DOIVENT TENIR COMPTE QUE CERTAINS POSTES DE TÉLÉVISION HAUTE DÉFINITION NE SONT PAS COMPLÈTEMENT COMPATIBLES AVEC CE PRODUIT ET QUE CELA PEUT PROVOQUER DES PROBLÈMES D'IMAGE. EN CAS DE PROBLÈMES D'IMAGE DANS LE BALAYAGE PROGRESSIF 525 OU 625, IL EST RECOMMANDÉ DE CHANGER LA CONNEXION VERS LA SORTIE " DÉFINITION STANDARD". SI VOUS AVEZ DES QUESTIONS CONCERNANT LA COMPATIBILITÉ DE NOTRE POSTE DE TÉLÉVISION AVEC CE MODÈLE DE LECTEUR DVD 525p ET 625p, N'HÉSITÉS PAS À CONTACTER NOTRE SERVICE RAPPORT CLIENT.

Commander d'autres téléviseurs au moyen de votre télécommande

Vous pouvez contrôler le niveau sonore, l'entrée et le bouton d'alimentation de votre téléviseur LG à l'aide de la télécommande fournie.

Vous pouvez également contrôler le niveau sonore, l'entrée, et le bouton d'alimentation de téléviseurs d'autres marques. Si votre téléviseur est énuméré dans le tableau ci-dessous, choisissez le code fabricant qui convient.

1. Tout en maintenant le bouton TV POWER enfoncé, appuyez sur les boutons des chiffres afin de sélectionner la référence du fabricant de votre téléviseur (voir le tableau ci-dessous).
2. Relâchez le bouton TV POWER.

Codes de référence des téléviseurs contrôlables

Si plus d'un code de référence est énuméré, essayez de les entrer un par un, jusqu'à ce que vous trouviez celui qui fonctionne avec votre téléviseur.

Fabricant	Code de référence
LG / GoldStar	1 (par défaut), 2
Zenith	1, 3, 4
Samsung	6, 7
Sony	8, 9
Hitachi	4

REMARQUES

- Suivant votre téléviseur un voire tous les boutons peuvent ne pas fonctionner sur le téléviseur, même si vous avez entré le bon code fabricant.
- Si vous entrez un nouveau code de référence, le code de référence entré précédemment sera effacé.
- Orsque vous remplacez les piles de la télécommande, le code de référence que vous avez entré peut être réinitialisé au réglage par défaut. Entrez à nouveau le code de référence qui convient.

En cas de difficulté

Problème	Cause Possible	Marche à suivre
Sans énergie.	<ul style="list-style-type: none"> • El câble d'alimentation n'est pas branché. 	<ul style="list-style-type: none"> • Branchez correctement le câble de l'énergie à la prise.
Il y a de l'énergie mais le lecteur DVD ne marche pas.	<ul style="list-style-type: none"> • Il n'y pas de disque dans le boîtier. 	<ul style="list-style-type: none"> • Introduisez un disque. (Vérifiez que l'indicateur de DVD ou de CD Audio sur l'affichage des fonctions soit allumé).
Pas d'image.	<ul style="list-style-type: none"> • Le TV n'est pas réglé pour recevoir le signal du DVD. 	<ul style="list-style-type: none"> • Sélectionnez le mode d'entrée de vidéo correct dans le TV
	<ul style="list-style-type: none"> • Le câble vidéo n'est pas raccordé convenablement. 	<ul style="list-style-type: none"> • Raccordez le câble vidéo correctement.
Pas de son.	<ul style="list-style-type: none"> • L'appareil raccordé au câble audio n'est pas réglé pour recevoir le signal du DVD. 	<ul style="list-style-type: none"> • Sélectionnez le mode d'entrée correct pour l'amplificateur audio afin de pouvoir entendre le son depuis le lecteur DVD.
	<ul style="list-style-type: none"> • L'énergie de l'appareil raccordé au câble audio est mise hors tension. 	<ul style="list-style-type: none"> • Allumez l'appareil raccordé au câble audio.
	<ul style="list-style-type: none"> • Les options AUDIO sont mal ajustées. 	<ul style="list-style-type: none"> • Placez la Sortie Audio Numérique dans la bonne position et allumez ensuite le lecteur DVD à nouveau en appuyant sur POWER.
Le lecteur DVD n'effectue pas de lecture.	<ul style="list-style-type: none"> • On a introduit un disque dont la lecture ne peut pas être effectuée. 	<ul style="list-style-type: none"> • Introduisez un disque dont la lecture puisse être effectuée. (Vérifiez le type, la couleur, le système et le code régional du disque).
	<ul style="list-style-type: none"> • Le blocage pour des mineurs est activé. 	<ul style="list-style-type: none"> • Annulez la fonction de restriction pour des mineurs ou modifiez le niveau d'interdiction.
La télécommande ne fonctionne pas bien.	<ul style="list-style-type: none"> • La télécommande ne vise pas bien le capteur du lecteur DVD. 	<ul style="list-style-type: none"> • Visez la télécommande vers le capteur du lecteur DVD.
	<ul style="list-style-type: none"> • La télécommande est très éloignée du lecteur DVD 	<ul style="list-style-type: none"> • Manipulez la télécommande près du lecteur DVD.

Codes des Langues

Consultez cette liste afin d'introduire la langue choisie pour les configurations initiales suivantes:
Disque Audio, Sous-titres du disque, Menu de Disque.

Langue	Code	Langue	Code	Langue	Code	Langue	Code
Abkhazian	6566	Fiji	7074	Lingala	7678	Singhalese	8373
Afar	6565	Finnish	7073	Lithuanian	7684	Slovak	8375
Afrikaans	6570	French	7082	Macedonian	7775	Slovenian	8376
Albanian	8381	Frisian	7089	Malagasy	7771	Somali	8379
Ameharic	6577	Galician	7176	Malay	7783	Spanish	6983
Arabic	6582	Georgian	7565	Malayalam	7776	Sudanese	8385
Armenian	7289	German	6869	Maltese	7784	Swahili	8387
Assamese	6583	Greek	6976	Maori	7773	Swedish	8386
Aymara	6588	Greenlandic	7576	Marathi	7782	Tagalog	8476
Azerbaijani	6590	Guarani	7178	Moldavian	7779	Tajik	8471
Bashkir	6665	Gujarati	7185	Mongolian	7778	Tamil	8465
Basque	6985	Hausa	7265	Nauru	7865	Tatar	8484
Bengali; Bangla	6678	Hebrew	7387	Nepali	7869	Telugu	8469
Bhutani	6890	Hindi	7273	Norwegian	7879	Thai	8472
Bihari	6672	Hungarian	7285	Oriya	7982	Tibetan	6679
Breton	6682	Icelandic	7383	Panjabi	8065	Tigrinya	8473
Bulgarian	6671	Indonesian	7378	Pashto, Pushto	8083	Tonga	8479
Burmese	7789	Interlingua	7365	Persian	7065	Turkish	8482
Byelorussian	6669	Irish	7165	Polish	8076	Turkmen	8475
Cambodian	7577	Italian	7384	Portuguese	8084	Twi	8487
Catalan	6765	Japanese	7465	Quechua	8185	Ukrainian	8575
Chinese	9072	Javanese	7487	Rhaeto-Romance	8277	Urdu	8582
Corsican	6779	Kannada	7578	Rumanian	8279	Uzbek	8590
Croatian	7282	Kashmiri	7583	Russian	8285	Vietnamese	8673
Czech	6783	Kazakh	7575	Samoan	8377	Volapük	8679
Danish	6865	Kirghiz	7589	Sanskrit	8365	Welsh	6789
Dutch	7876	Korean	7579	Scots Gaelic	7168	Wolof	8779
English	6978	Kurdish	7585	Serbian	8382	Xhosa	8872
Esperanto	6979	Laothian	7679	Serbo-Croatian	8372	Yiddish	7473
Estonian	6984	Latin	7665	Shona	8378	Yoruba	8979
Faroese	7079	Latvian, Lettish	7686	Sindhi	8368	Zulu	9085

Code régional

Choisissez un code régional de la liste.

Régional	Code	Régional	Code	Régional	Code	Régional	Code
Afghanistan	AF	Ethiopia	ET	Malaysia	MY	Saudi Arabia	SA
Argentina	AR	Fiji	FJ	Maldives	MV	Senegal	SN
Australia	AU	Finland	FI	Mexico	MX	Singapore	SG
Austria	AT	France	FR	Monaco	MC	Slovak Republic	SK
Belgium	BE	Germany	DE	Mongolia	MN	Slovenia	SI
Bhutan	BT	Great Britain	GB	Morocco	MA	South Africa	ZA
Bolivia	BO	Greece	GR	Nepal	NP	South Korea	KR
Brazil	BR	Greenland	GL	Netherlands	NL	Spain	ES
Cambodia	KH	Heard and McDonald Islands	HM	Netherlands Antilles	AN	Sri Lanka	LK
Canada	CA	Hong Kong	HK	New Zealand	NZ	Sweden	SE
Chile	CL	Hungary	HU	Nigeria	NG	Switzerland	CH
China	CN	India	IN	Norway	NO	Taiwan	TW
Colombia	CO	Indonesia	ID	Oman	OM	Thailand	TH
Congo	CG	Israel	IL	Pakistan	PK	Turkey	TR
Costa Rica	CR	Italy	IT	Panama	PA	Uganda	UG
Croatia	HR	Jamaica	JM	Paraguay	PY	Ukraine	UA
Czech Republic	CZ	Japan	JP	Philippines	PH	United States	US
Denmark	DK	Kenya	KE	Poland	PL	Uruguay	UY
Ecuador	EC	Kuwait	KW	Portugal	PT	Uzbekistan	UZ
Egypt	EG	Libya	LY	Romania	RO	Vietnam	VN
El Salvador	SV	Luxembourg	LU	Russian Federation	RU	Zimbabwe	ZW

Spécifications

Générales

Source d'alimentation: AC 110-240 V , 50/60 Hz

Consommation d'énergie: 8W

Dimensions (Env.):

DZ9511E: 360 x 35 x 242 mm (W x H x D) sans pied.

DZ9711E: 430 x 35 x 242 mm (W x H x D) sans pied.

Poids (Env.): DZ9511E : 1.7 kg
DZ9711E : 1.9 kg

Température de fonctionnement:

5 °C à 35 °C (41 °F à 95 °F)

Humidité de fonctionnement: 5 % à 90 %

Sorties

Sortie de vidéo:

1.0 V (p-p), 75 Ω, synchronisme négatif, prise RCA x 1 / SCART (POUR TV)

Sortie Component Video:

(Y) 1.0 V (p-p), 75 Ω, synchronisme négatif, prise RCA x 1

(Pb)/(Pr) 0.7 V (p-p), 75 Ω, prise RCA x 2

Sortie de audio:

2.0 Vrms (1 KHz, 0 dB), 600 Ω, prise RCA (L, R) x 1 / SCART (POUR TV)

Sortie Audio Numérique (Coaxial) :

0.5 V (p-p), 75 Ω, prise RCA x 1

Système

Laser:

Semi-conducteur laser, longueur d'onde 650 nm

Système de Signal: PAL / NTSC

Réponse en Fréquence:

DVD (PCM 96 kHz): 8 Hz à 44 kHz

DVD (PCM 48 kHz): 8 Hz à 22 kHz

CD: 8 Hz à 20 kHz

Rapport Signal - Bruit:

Plus de 100 dB (Câbles ANALOGIQUES DE SORTIE uniquement)

Distorsion harmonique: Moins de 0.02%

Rang dynamique:

Plus de 95 dB (DVD/CD)

Accessoires:

Câble pour connexion Vidéo (1), Câble pour connexion Audio (1),

Télécommande (1), Piles (2)