



Car CD/MP3/WMA Receiver

OWNER'S MANUAL MODEL : LAC-M5500RS



Before connecting, operating or adjusting this product,
please read this instruction booklet carefully and completely.



Table of Contents

INTRODUCTION

Table of Contents	2-3
Safety Precautions	4
Before Use	5-7
Symbol Used in this Manual	5
Notes on Discs	5
Use and care of the remote control	6
Using the remote control	6
Handling the Unit	6
Protecting your unit from theft	7
Attaching the front panel	7
Front Panel	8
Remote Control	9

PREPARATION

Installation	10-11
Basic Installation	10
ISO-DIN Installation	11
Connections	12-13
Connecting to Car	12-13
Connecting to Auxiliary Equipment (OPTIONAL)	13

OPERATION

Basic Operation	14-15
Turning the unit on	14
Turning the unit off	14
Selecting a source	14
Adjusting the volume	14
Checking the clock	14
SOUND Adjustment	15
Using the EQ (Equalizer)	15
MUTE	15
SELECTION (SEL) Button	15
XDSS (Extreme Dynamic Sound System)	15
RDS Operation	16-19
About RDS	16
RDS Display Options	16
STATION NAME DISPLAY	17
RDS AF/REG FUNCTION	17
Network-Tracking reception	17
RDS data for preset buttons	18
LOCAL/DX selection in EON-TA mode	18
REG FUNCTION(Regional)	18
PROGRAM TYPE FUNCTION	18
RECEPTION FREQUENCY DISPLAY	19
RDS MODE Adjustment	19

Table of Contents



Radio Operation	20-21
Listening the radio stations	20
Storing and recalling broadcast frequencies	20
Auto Search Memory	21
Operation with Audio CD, MP3/WMA Disc and CD changer .	22-24
Playing an Audio CD and MP3/WMA Disc	22
Playing a CD changer (OPTIONAL)	22
Playback Setup	22
Moving to another Disc	22
Pause	22
Moving to another Track	22
Search	22
Repeat	23
Random	23
MP3/WMA TRACK -10/+10	23
Intro scan	23
ID 3 TAG	23
Notes on MP3/WMA Recordings	24
About MP3	24
About WMA (Window Media Audio)	24

REFERENCE

Troubleshooting	25
Specifications	26



Disposal of your old appliance

1. When this crossed-out wheeled bin symbol is attached to a product it means the product is covered by the European Directive 2002/96/EC.
2. All electrical and electronic products should be disposed of separately from the municipal waste stream via designated collection facilities appointed by the government or the local authorities.
3. The correct disposal of your old appliance will help prevent potential negative consequences for the environment and human health.
4. For more detailed information about disposal of your old appliance, please contact your city office, waste disposal service or the shop where you purchased the product.



Safety Precautions

CAUTION

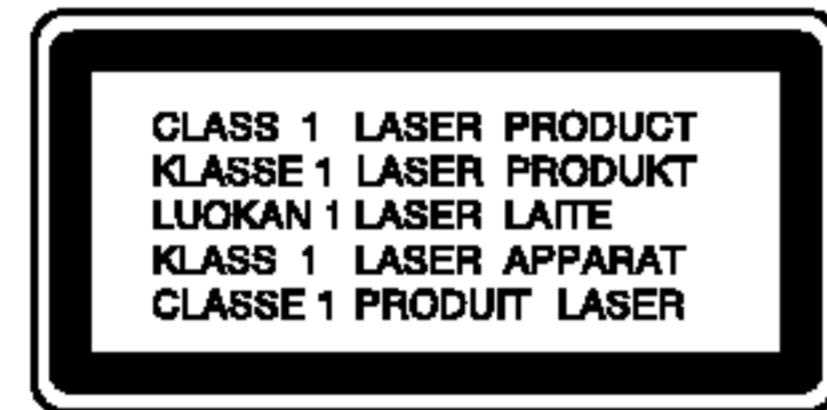
RISK OF ELECTRIC SHOCK DO NOT OPEN



Warning: To reduce the risk of electric shock, do not remove the cover or back of this product. There are no user-serviceable parts inside. Refer servicing to qualified service personnel.



Warning: To reduce the risk of fire or electric shock, do not expose this product to dripping or splashing water, rain, or moisture.



Caution: Protect this product from moisture.



Caution: If the battery is disconnected or discharged, the preset memory will be erased and must be reprogrammed.

CAUTION:

This unit employs a Laser System.

To ensure proper use of this product, please read this owner's manual carefully and retain for future reference should the unit require maintenance, contact an authorized service location (see service procedure).

Use of controls, adjustments, or the performance of procedures other than those specified herein may result in hazardous radiation exposure.

To prevent direct exposure to laser beam, do not try to open the enclosure. Visible laser radiation when open. DO NOT STARE INTO BEAM.



To ensure proper use of this product, please read this owner's manual carefully and retain for future reference.

Symbol Used in this Manual



The lightning flash symbol alerts you to the presence of dangerous voltage within the product enclosure that may constitute a risk of electric shock.



Indicates hazards likely to cause harm to the unit itself or other material damage.

NOTE

Indicates special notes and operating features.

TIP

Indicates tips and hints for making the task easier.

Notes on Discs

Handling Discs

Do not touch the playback side of the disc. Hold the disc by the edges so that fingerprints do not get on the surface. Never stick paper or tape on the disc.

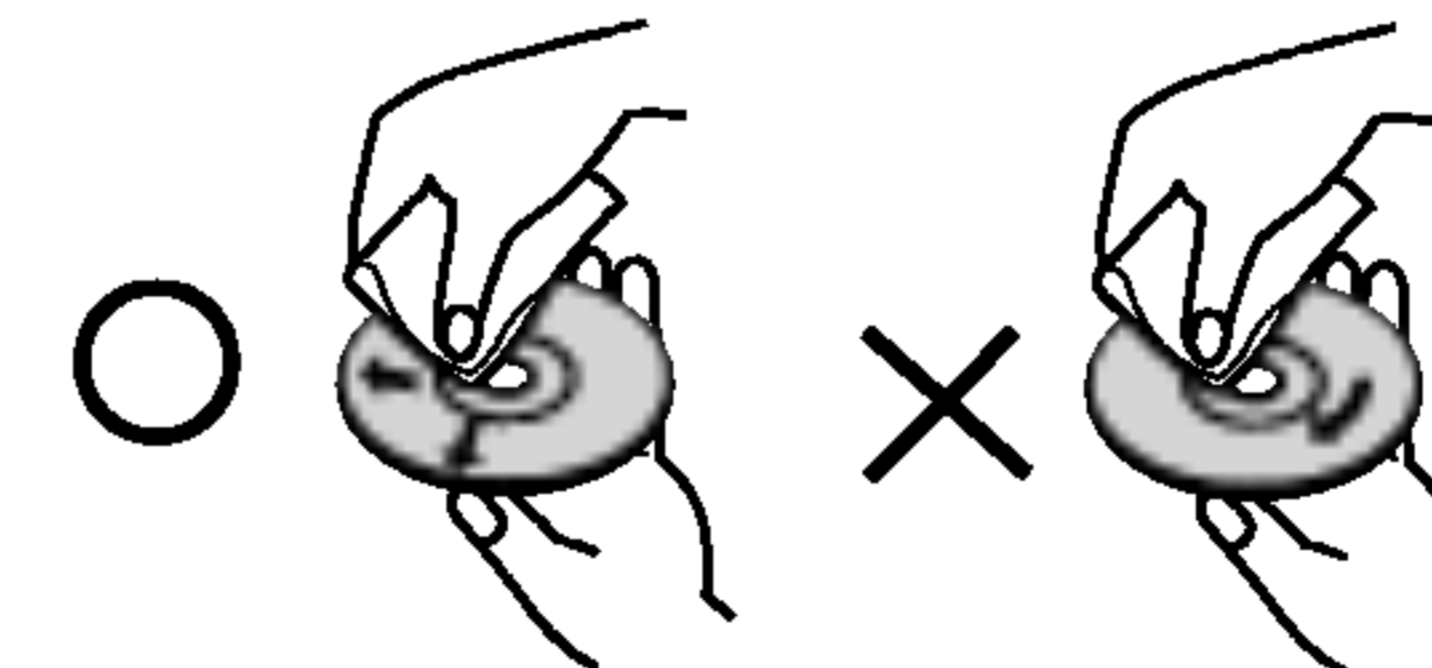


Storing Discs

After playing, store the disc in its case. Do not expose the disc to direct sunlight or sources of heat and never leave it in a parked car exposed to direct sunlight.

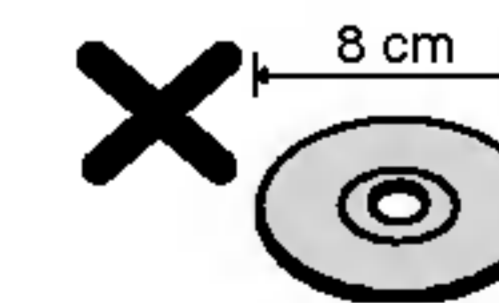
Cleaning Discs

Fingerprints and dust on the disc can cause poor picture quality and sound distortion. Before playing, clean the disc with a clean cloth. Wipe the disc from the center out.



Do not use strong solvents such as alcohol, benzine, thinner, commercially available cleaners, or anti-static spray intended for older vinyl records.

This unit cannot be operated by 8cm disc (using 12cm disc only).



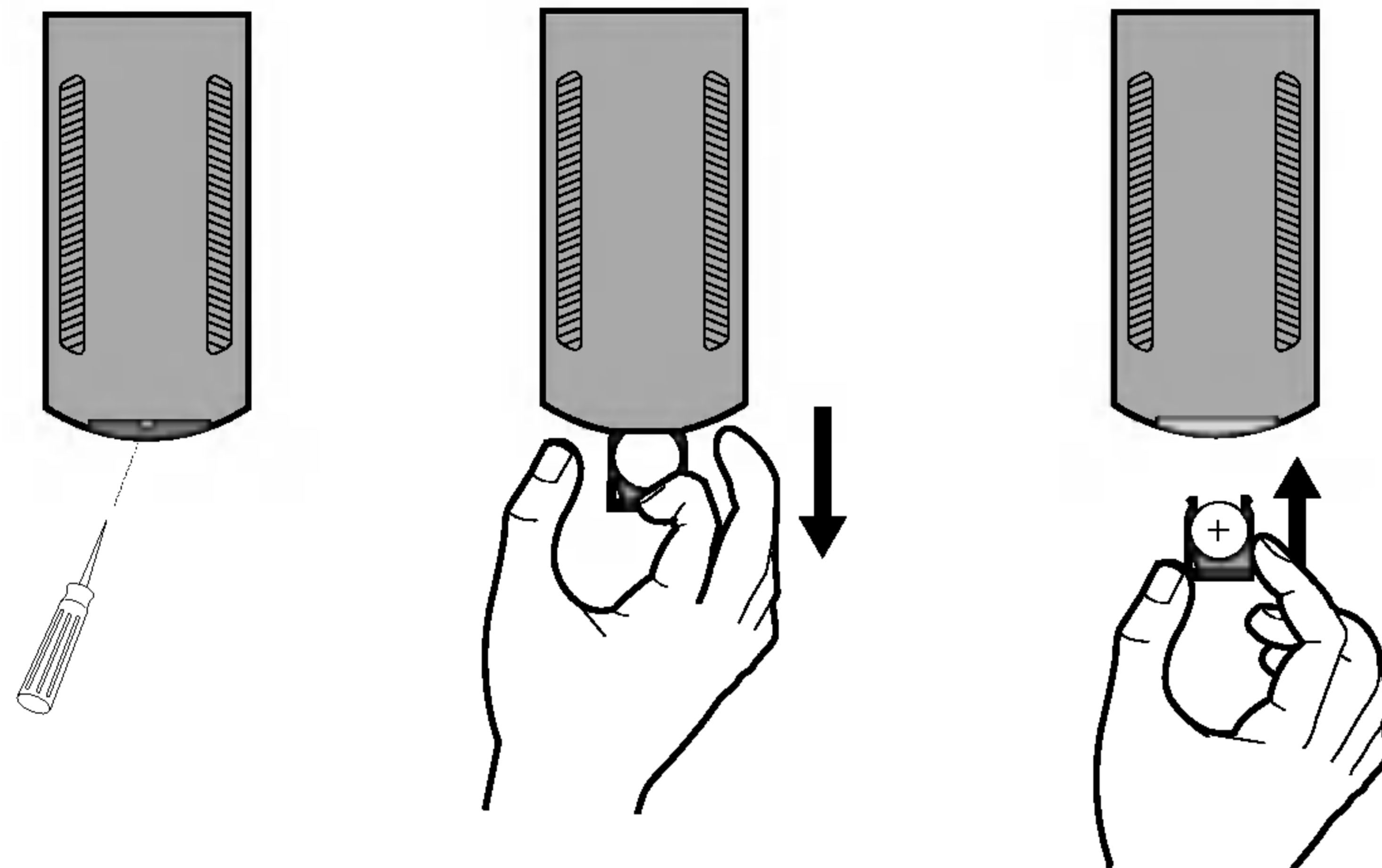


Before Use

Use and care of the remote control

Installing the battery

Pull the tray outward on the back of the remote control with a pencil or ball point pen and insert the battery with the plus (+) minus (-) poles pointing in the proper direction.



NOTES

- Use only one CR2025 (3V) lithium battery.
- Remove the battery if the remote control is not used for long.
- Do not recharge, disassemble, heat or dispose of the battery in fire.
- Do not handle the battery with metallic tools.
- Do not store the battery with metallic materials.
- In the event of battery leakage, wipe the remote control completely clean and install a new battery.

Using the remote control

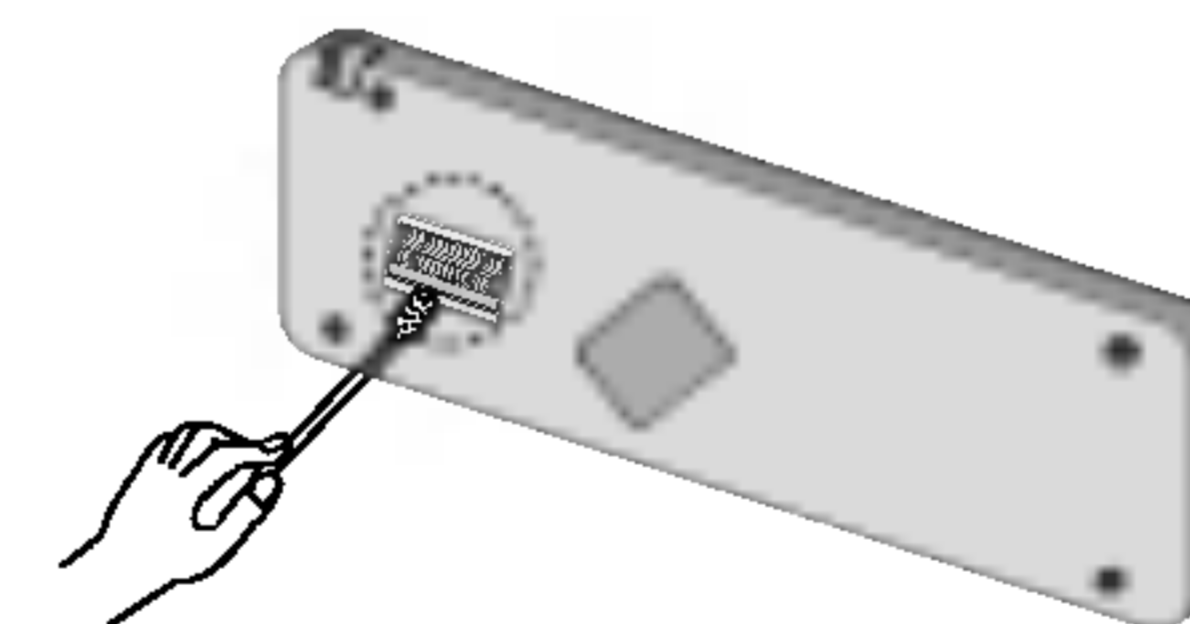
Point the remote control in the direction of the front panel to operate.

NOTES

- The remote control may not function properly in direct sunlight.
- Do not store the remote control in high temperatures or sunlight.
- Do not let the remote control fall onto the floor, where it may become jammed under the brake or accelerator pedal.

Handling the Unit

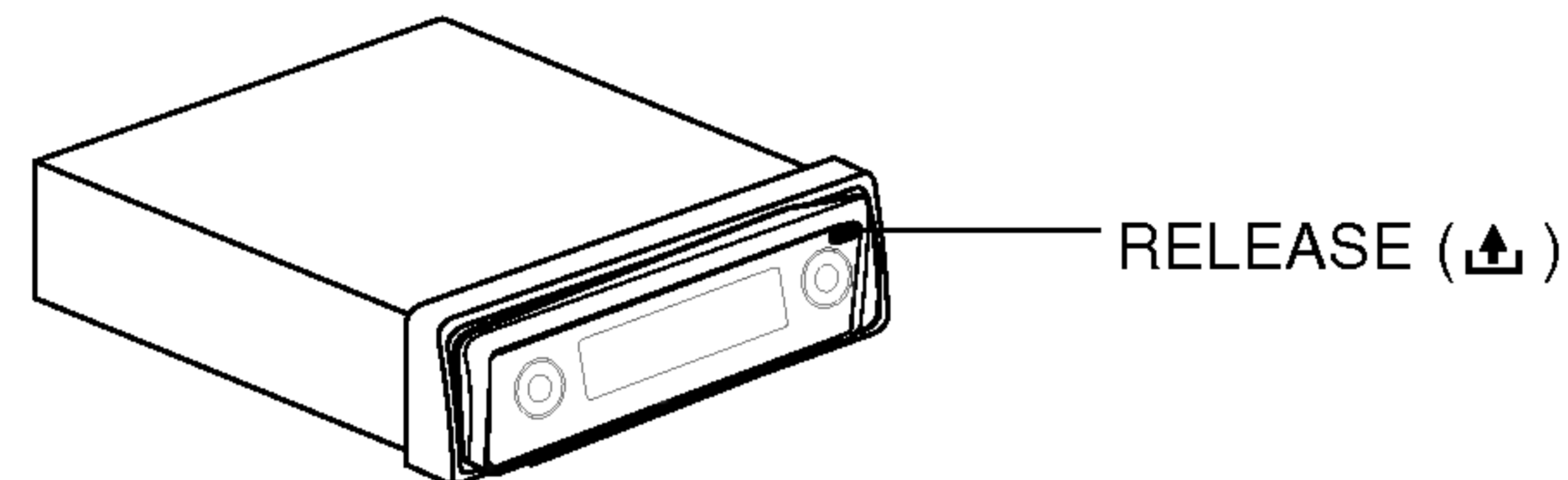
- This unit is designed to be operated on a 12 volt DC negative ground electrical system only.
- When replacing the fuse, be sure to use the fuse whose amperage rating is identical. Use of a fuse with higher amperage may cause serious damage to the unit.
- Periodically wipe the contacts on the back of the front panel with a cotton swap moistened with alcohol.



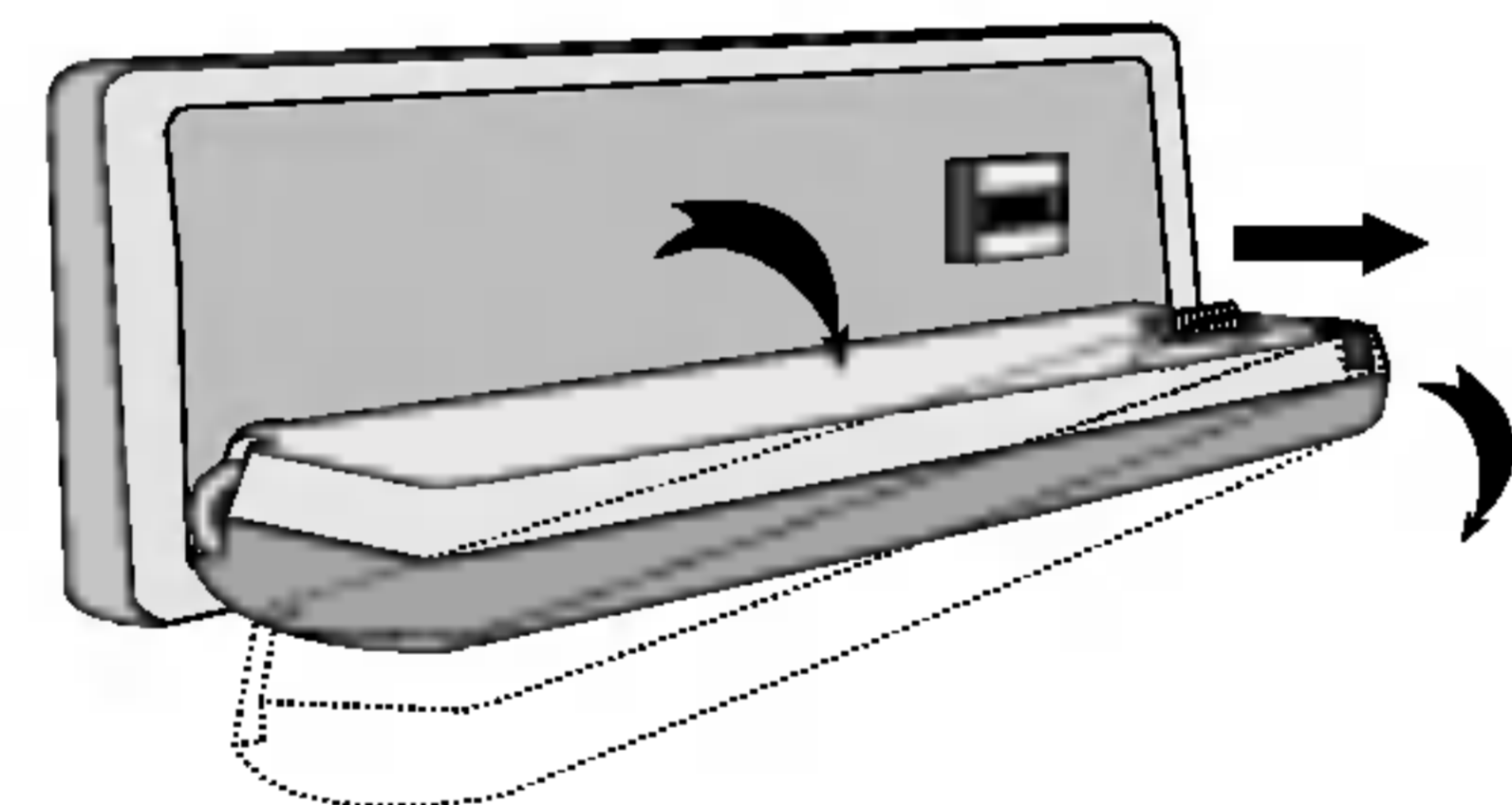
Protecting your unit from theft

The front panel can be detached from the head unit and stored in the protective case provided to discourage theft.

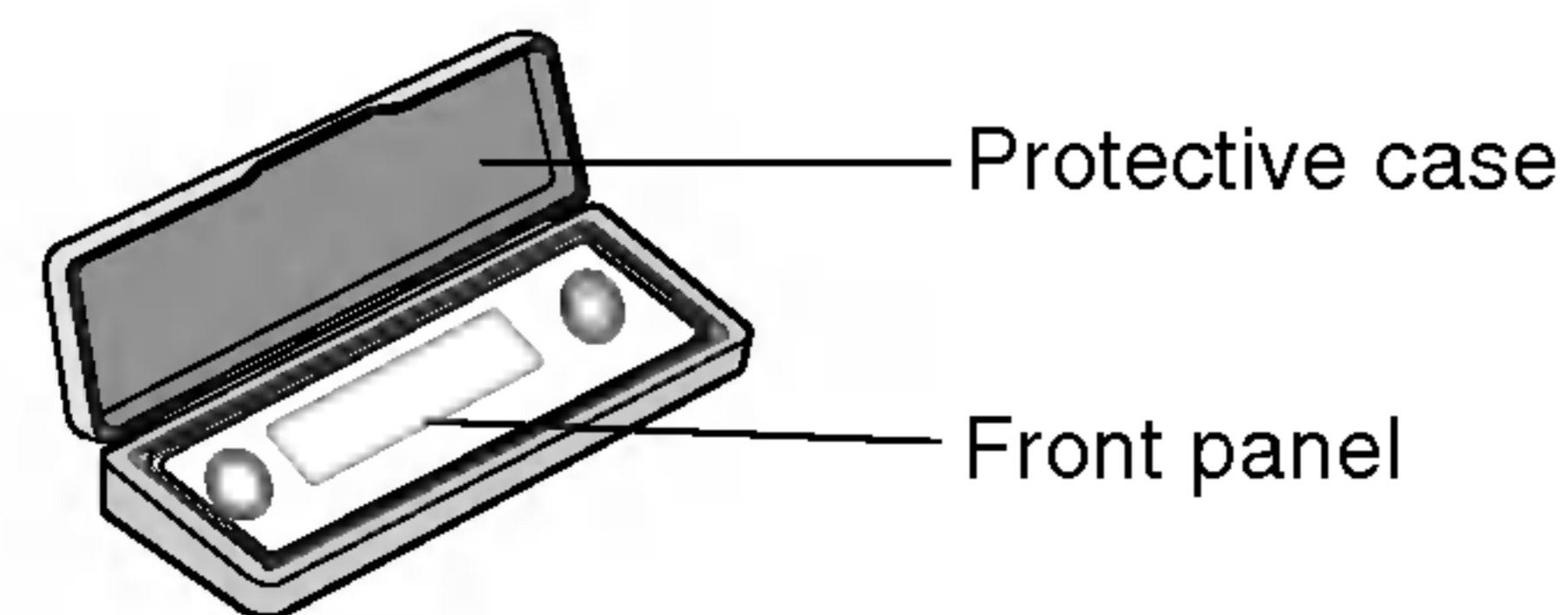
1. Press **RELEASE** (▲) to open the front panel.



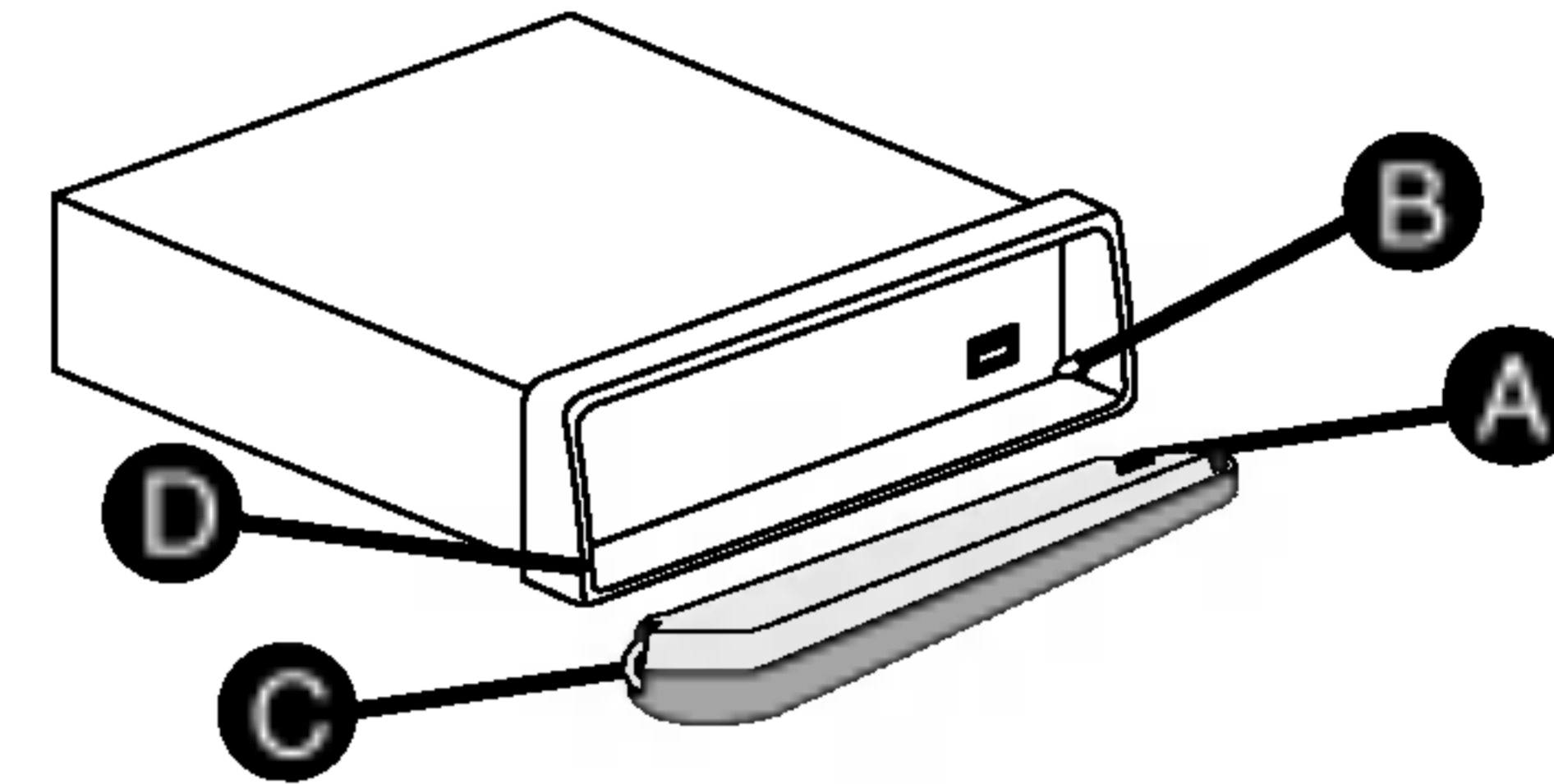
2. Push the front panel to right.
3. Pull the front panel.



4. Put the front panel into the protective case provided for safe keeping.



Attaching the front panel

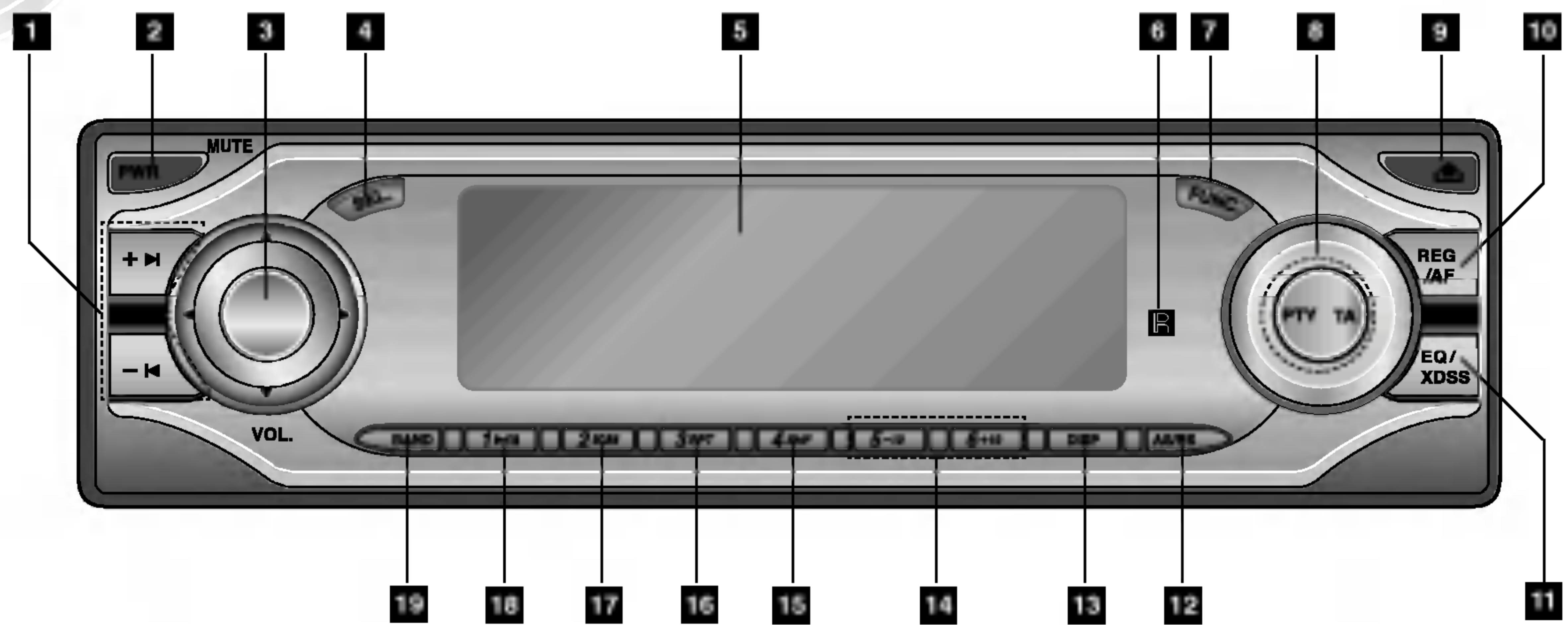


1. Join ● on the front panel to ● on the main unit.
2. Join ● on the front panel to ● on the main unit while pushing the front panel to right.
3. Close the front panel

NOTES

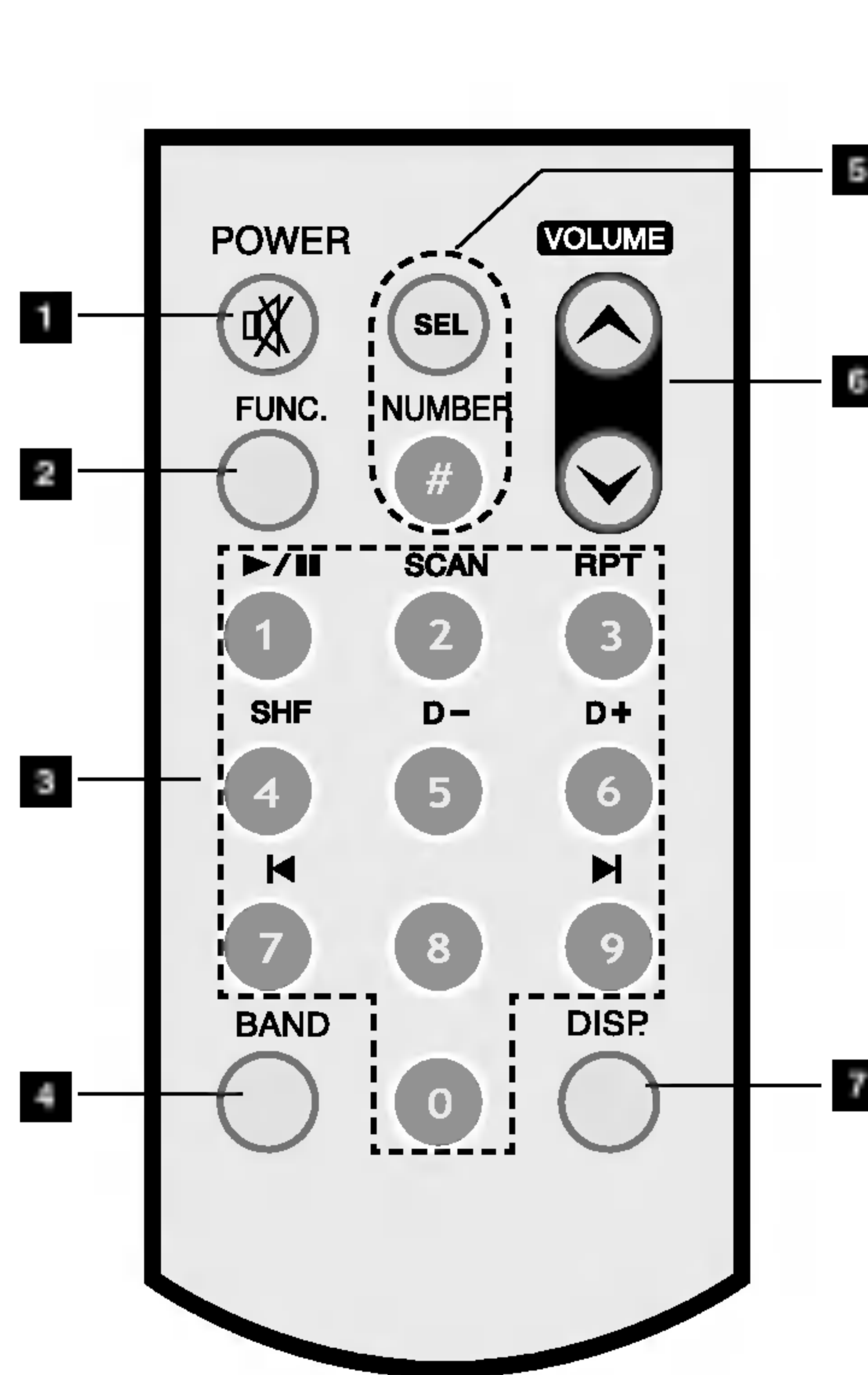
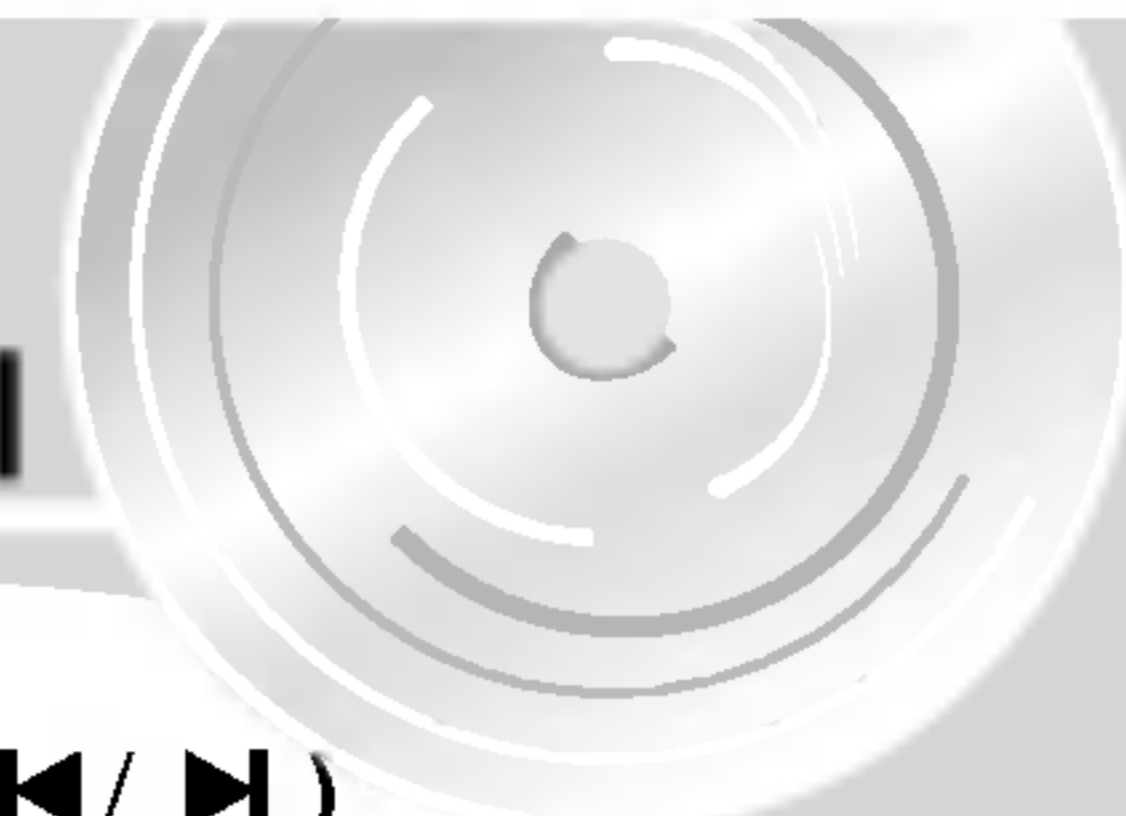
- When detaching or attaching the front panel, do not press the display or control buttons.
- The control buttons may not work properly if the front panel is not attached properly. If this occurs, gently press the front panel.
- Do not leave the front panel in any area exposed to high temperatures or direct sunlight.
- Do not drop the front panel or otherwise subject it to strong impact.
- Do not allow such volatile agents as benzine, thinner, or insecticides to come into contact with the surface of the front panel.
- Do not try to disassemble the front panel.

Front Panel



- 1** • CD SKIP/SEARCH (⏮/⏭) button
• SEEK/TUNE (-/+) button
- 2** PWR/MUTE button
- 3** • VOLUME KNOB
• CONTROL UP/DOWN dial
- 4** SELECTION (SEL.) button
- 5** DISPLAY WINDOW
- 6** REMOTE SENSOR
- 7** FUNCTION (FUNC.) button
- 8** PTY/TA button
- 9** RELEASE (⏏) button
- 10** REGIONAL/ALTERNATIVE FREQUENCIES (REG/AF) button
- 11** EQUALIZER/XDSS (EQ/XDSS) button
- 12** AUTO STORE/PRESET SCAN (AS/PS) button
- 13** DISPLAY (DISP) button
- 14** MP3/WMA TRACK +/-10 (D-/+) button
- 15** SHUFFLE (SHF) button
- 16** REPEAT (RPT) button
- 17** INTRO SCAN (SCAN) button
- 18** CD PLAY/PAUSE (▶/||) button
- 19** BAND button
- 14, 15, 16, 17, 18** Preset Station buttons. (1-6)

Remote Control



- 1 • POWER/MUTE (🔊)**
 - Switches the unit ON and OFF.
 - Press to mute the sound from the speaker.
- 2 FUNCTION (FUNC.) button**
- 3 • 0-9 number buttons**
 - Preset Station buttons. (1-6)
 - **PLAY/PAUSE (▶/||)**
 - Starts playback.
 - Pauses playback temporarily.
 - **SCAN**
 - Plays the first 10 seconds of all track.
 - **REPEAT (RPT)**
 - Plays tracks repeatedly.
 - **SHF**
 - Plays tracks in random order.

- **SKIP/SEARCH (◀ / ▶)**
 - Backward or forward search playback.
 - Go to next track. Returns to beginning of current track or go to previous track.
- **DISC SELECTOR (D+/-) button (Optional)**
- 4 • BAND**
 - Selects three FM and MW (AM) bands.
- 5 • SEL**
 - Enters the audio settings.
- **NUMBER (#)**
- 6 VOLUME (⏮ / ⏭)**
 - Adjusts the volume level.
- 7 • DISPLAY (DISP.)**
 - Changes the display.



Installation

Basic Installation

Before installing, make sure that the ignition-switch is set to OFF and remove the terminal of the car battery to avoid short-circuiting.


1. Remove the existing receiver unit.
2. Make the necessary connections.
3. Install the installation sleeve.
4. Install the unit in to the installation sleeve.

Removing existing receiver unit

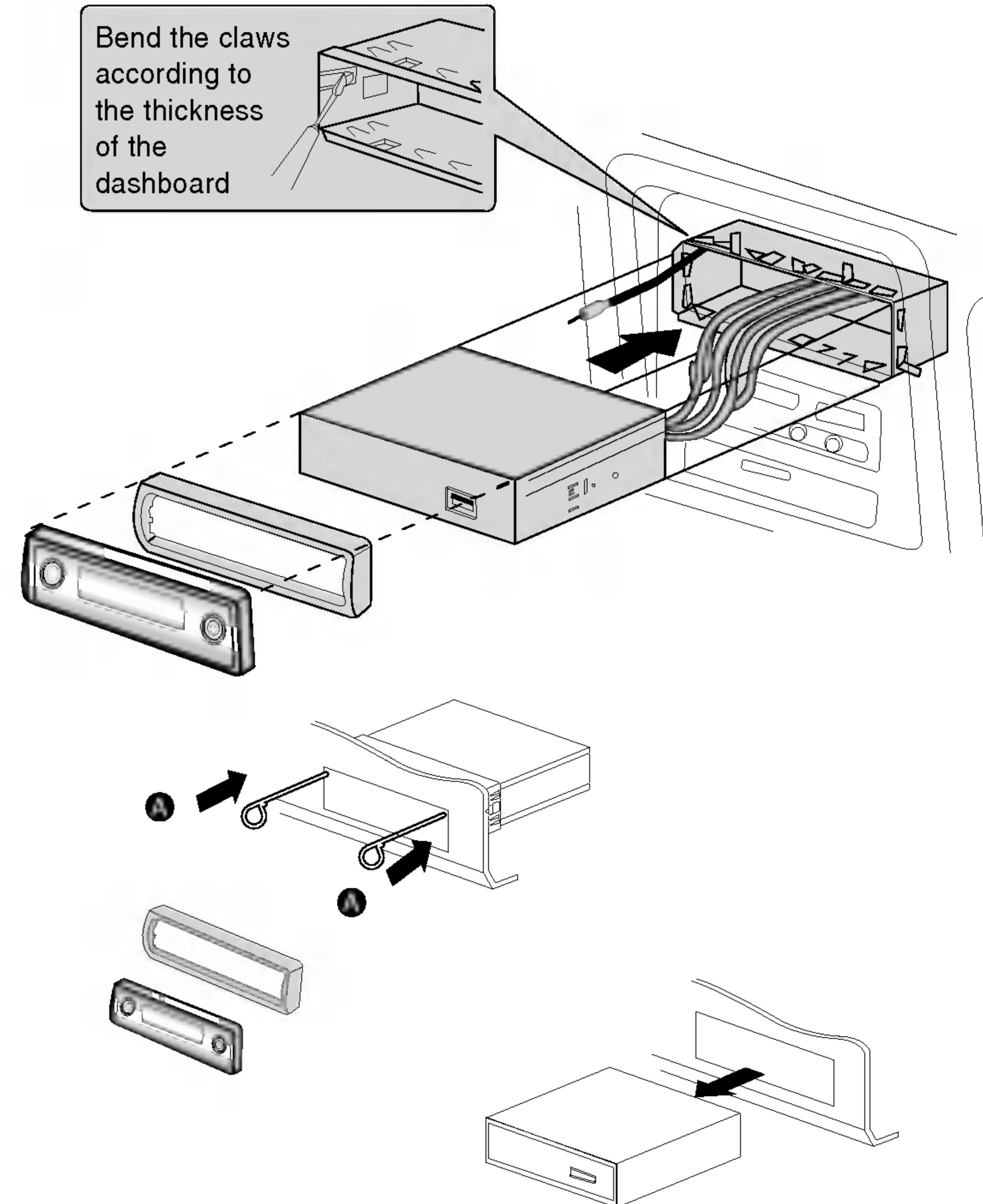
If there is already an installation sleeve for the receiver unit in the dashboard, it must be removed.

When removing the unit from the installation sleeve

If you need to remove the unit from the installation sleeve, proceed as follows.

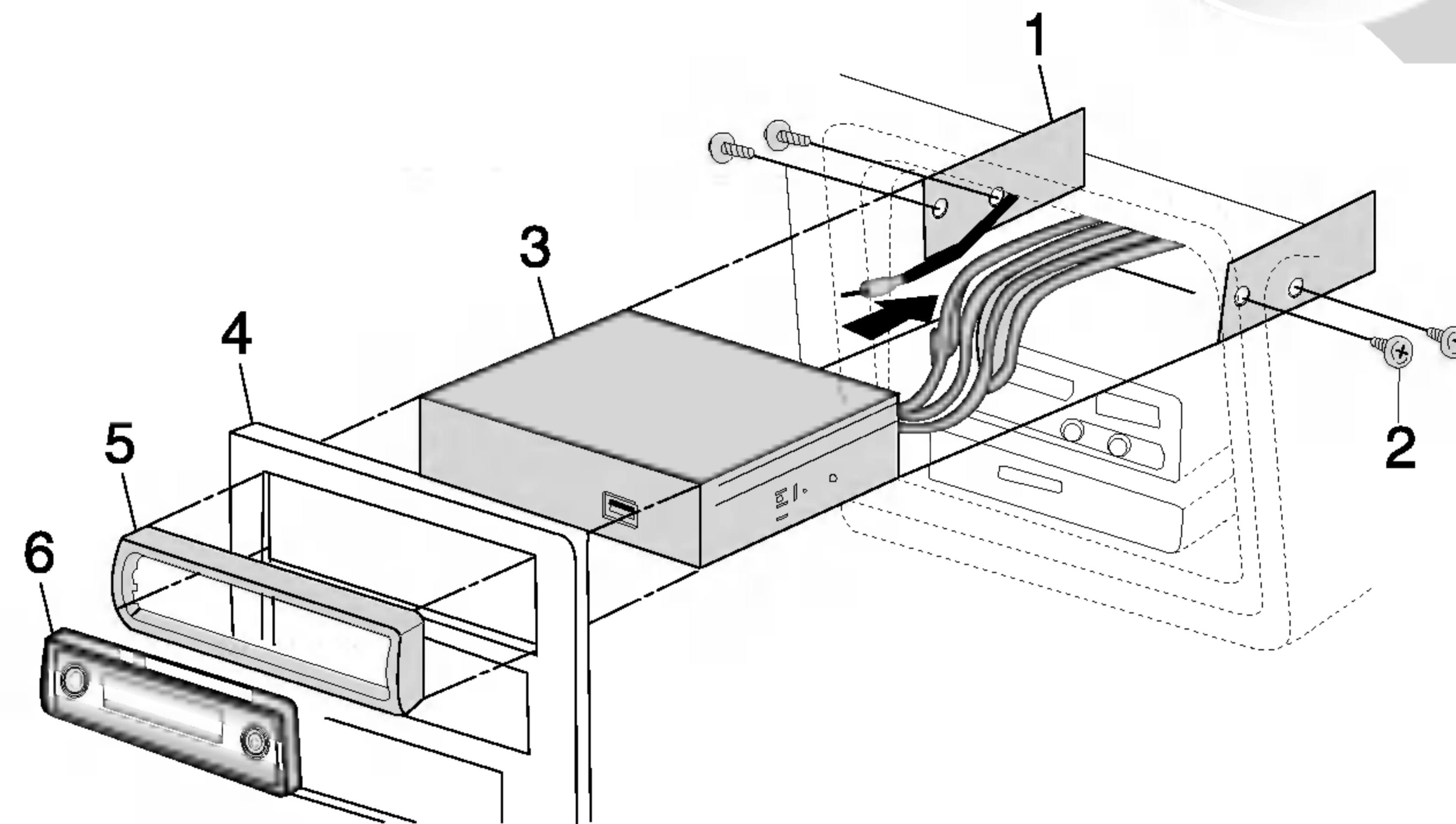
1. Remove the rear supporter from the unit.
2. Remove the front panel and trim ring from the unit.
3. Insert the lever  into the hole on one side of the unit. Do the same operation on the other side and pull out the unit from the installation sleeve.

Bend the claws according to the thickness of the dashboard



ISO-DIN Installation

1. Slide the unit into ISO-DIN frame.
2. Install screws removed from old unit.
3. Slide the unit and frame into dash opening.
4. Install dash panel or adapter plate.
5. Install trim ring to the unit.
6. Install faceplate by fitting right edge into position then pushing left edge closed.



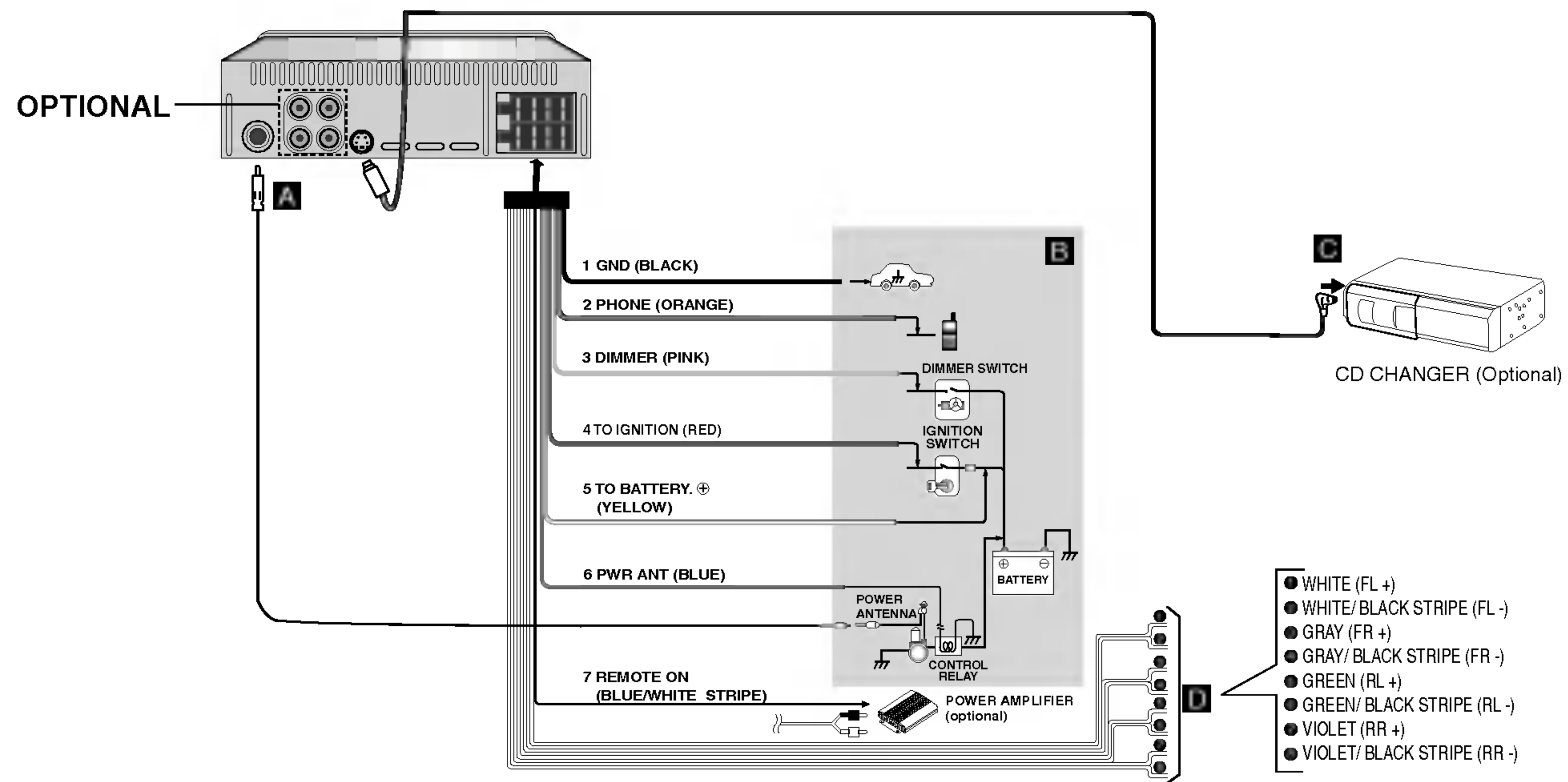
PREPARATION



Connections

Connecting to Car

Before connecting, make sure that ignition switch is set to OFF, and remove the ⊖ terminal of the battery to avoid short circuits.





Connecting to Car

A From antenna

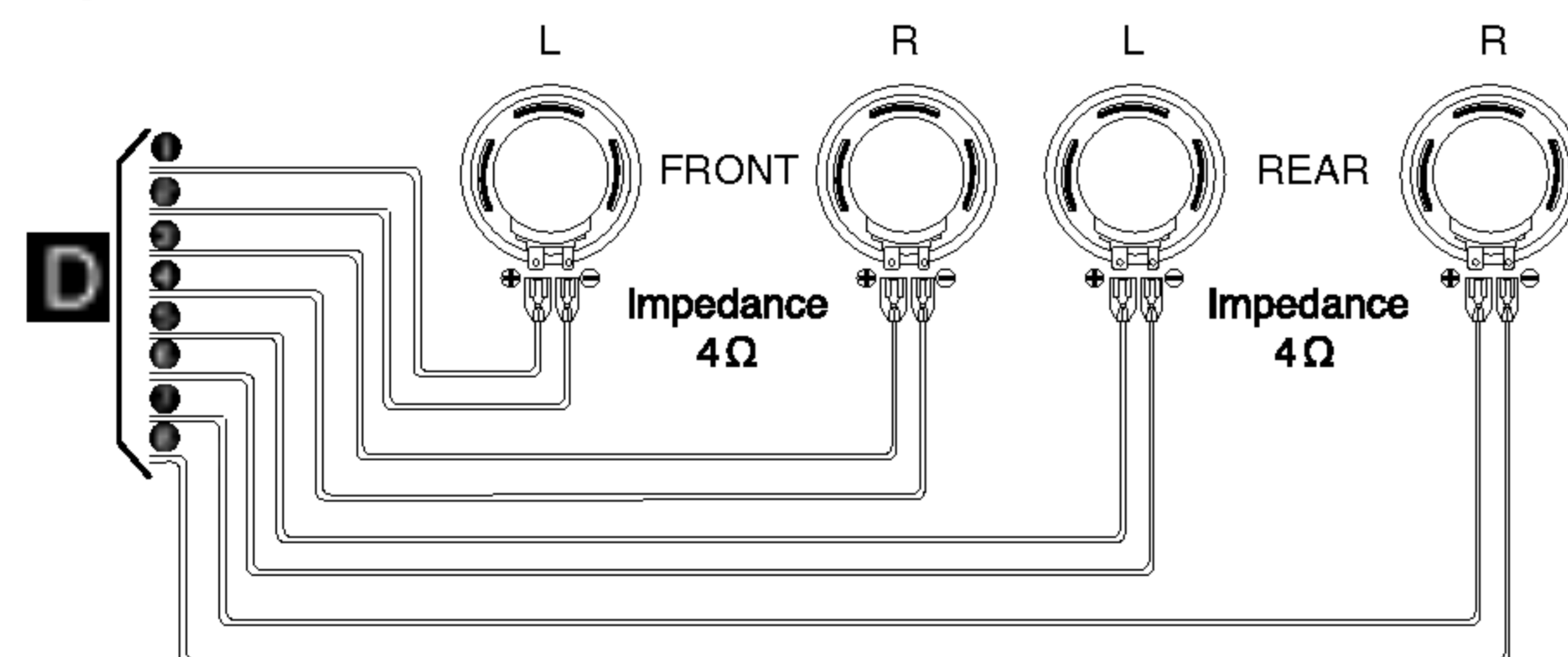
B To the wiring of vehicle Colors of leads

- 1 **BLACK** : This lead is for connection to the Ground.
- 2 **ORANGE** : This lead is for connection to the phone line.
- 3 **PINK** : This lead is for connection to the Dimmer line
- 4 **RED** : This lead is for connection to the terminal from which the power is supplied when the ignition switch is set to ACC.
- 5 **YELLOW** : This lead is for connection to the Battery (back-up) terminal from which the power is always supplied.
- 6 **BLUE** : This lead is for connection to the power antenna.
- 7 **BLUE/WHITE STRIPE** : This lead is for connection to the amplifier remote on.

C Connect the CD changer

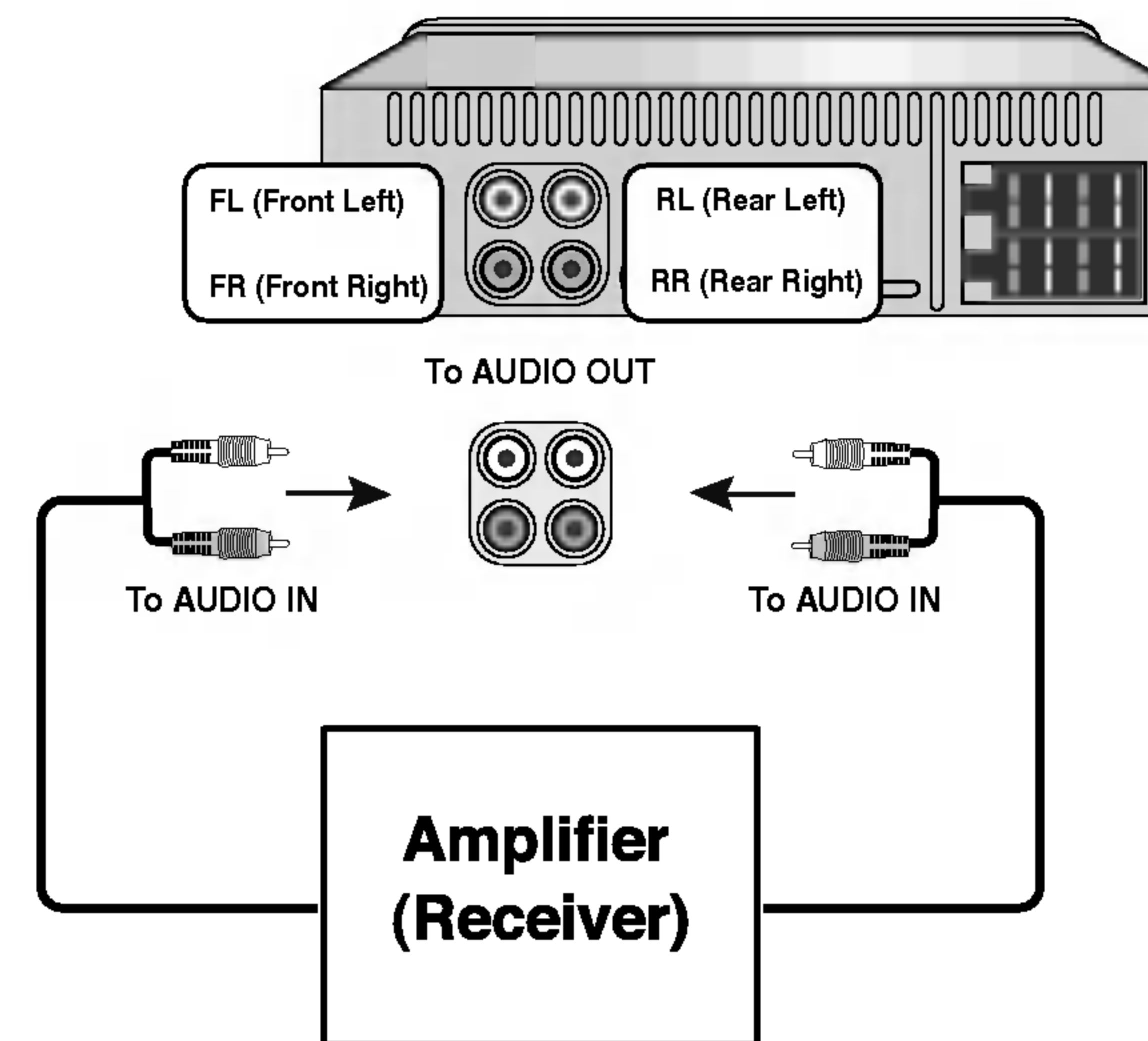
- Your car receiver works as control unit for a CD changer which you can buy, if not yet done, later.
- The suitable cord shown on the scheme will be provided together with the CD changer.

D Speaker Connections



Connecting to Auxiliary Equipment (OPTIONAL)

- Connect the **AUDIO OUTPUT** connector of this unit to the **AUDIO INPUT** connector of Auxiliary Equipment.



PREPARATION



Basic Operation

Turning the unit on

Press **PWR/MUTE** or any other button on the front panel or **POWER/MUTE** (🔊) on the remote control to turn the unit on.

Turning the unit off

- Press **PWR/MUTE** on the front panel for more than 1.2 second to turn the unit off.
- Press **POWER/MUTE** (🔊) on the remote control for more than 1.2 second to turn the unit off.

Selecting a source

You can select a source you want to listen to.
Press **FUNC.** to select a source.
Press **FUNC.** repeatedly to switch between the following sources:
Tuner → CD → CD Changer (optional) → Tuner...

NOTE

- When you turn off, the unit is memorized automatically the current volume level before you turn off. Whenever you turn on the unit, it will operate at the memorized volume level.

Adjusting the volume

Use **VOLUME** to adjust the sound level.
Rotate **VOLUME KNOB** on the front panel to increase or decrease the volume.

Press **VOLUME** (🔊 / 🔊) on the remote control to increase or decrease the volume.

Checking the clock

You can see the clock pressing **DISP.** on the remote control for more than 1 second.

NOTES

- If the unit is received the RDS broadcasting with CT (Clock Time) information, the clock will be shown automatically in the display window.
- Unless, "NO CLOCK" appears in the display window.



SOUND Adjustment

Using the EQ (Equalizer)

The equalizer lets you adjust the equalization to match car interior acoustic characteristics as desired. There are 5 stored equalizer curves which you can easily recall at any time.

Here is a list of the equalizer curves:

- EQ POP : Reproduces the acoustics of pop music.
- EQ CLASSIC : Reproduces the acoustics of orchestral music.
- EQ ROCK : Reproduces the acoustics of rock music.
- EQ JAZZ : Reproduces the acoustics of jazz music.
- EQ VOCAL: Reproduces the acoustics of vocal music.

1. Press **EQ/XDSS** on the front panel to select the equalizer.
2. Press **EQ/XDSS** repeatedly to select among the following equalizer.
POP → CLASSIC → ROCK → JAZZ → VOCAL
→ FLAT (NO display) → POP....

MUTE

1. Press **PWR/MUTE [POWER/MUTE (M)]** to cut the sound.
2. To cancel it press **PWR/MUTE [POWER/MUTE (M)]** again.

SELECTION (SEL) Button

1. Press the **SELECTION (SEL.)** button repeatedly to select the mode you want to adjust from volume, bass, treble, balance and fader. The mode indicator lights up in the following order.

→ VOL → BAS → TRB → BAL → FAD

2. Turn left or right CONTROL UP/DOWN (or press **VOLUME (V / A)** on the remote control) to adjust the sound quality.

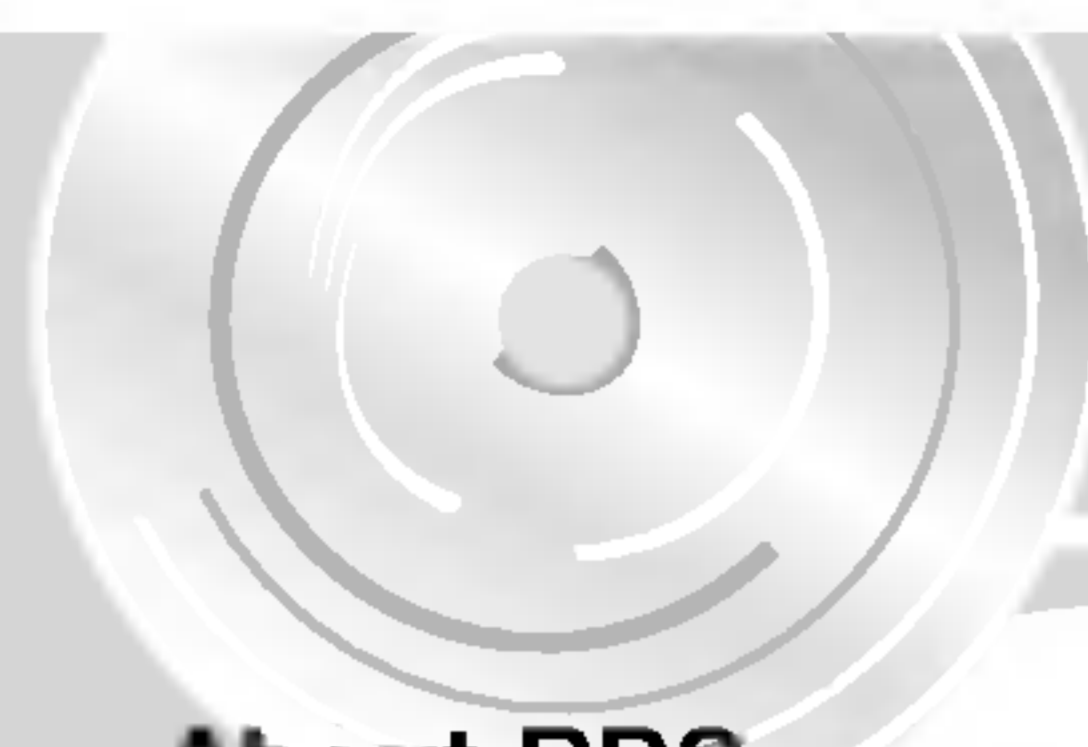
	Turn right	Turn left
VOL	Increase the volume level.	Decrease the volume level.
BAS	Increase the bass level.	Decrease the bass level.
TRB	Increase the Treble level.	Decrease the Treble level.
BAL	Decrease the level of the left speaker(s).	Decrease the level of the right speaker(s).
FAD	Decrease the level of the front speaker(s).	Decrease the level of the rear speaker(s).

NOTE

The unit cannot adjust the bass and treble in the **EQ** on mode.

XDSS (Extreme Dynamic Sound System)

Press and hold **EQ/XDSS** button to reinforce treble, bass and surround effect.



RDS Operation

About RDS

RDS (Radio Data System) is a method for sending information signals together with the transmitter signals. Your tuner is capable of translating these signals and putting the information on the display. These codes contain the following informations. Program Service Name (PS), A list of program Type(PTY), Traffic Announcement(TA), Clock Time(CT), Radio Text(RT)

RDS Display Options

The RDS system is capable of transmitting a wide variety of information in addition to the initial call sign that appears when a station is first tuned. In normal RDS operation the display will indicate the station name, broadcast network or call letters. Pressing **DISP** on the front panel enables you to cycle through the various data types in the sequence:

(CT→FREQUENCY→PTY→RT→PS)

- **CT** (Time controlled by the channel): Enable the unit to receive the actual time and show it on the display window.
- **PTY** (Program type recognition): The program type is shown on the display window.
- **RT** (Radio text recognition): The radio station's information is displayed on the display window.
- **PS** (Program Service name): The program title is displayed on the display window.

NOTE

Some RDS stations may not choose to include some of these additional features. If the data required for the selected mode is not being transmitted, the Display Window will show a **NO CLOCK, PTY NONE, RT NONE Frequency** message.

- **PI** (Program Identification) contains additional information for regional program operation
- **AF** (Alternative Frequencies for the actual program)
- **TP** (Traffic Program Identification)
- **TA** (Traffic Announcement Identification)
- **EON** (Enhanced Other Networks) Information on other programs to use their services like traffic announcement etc

NOTES

- RDS is only available for FM reception.
- The PS function allows station names to be displayed in clear letters.
- Network Tracking reception uses the PI and AF codes. The PI code identifies the country, area and broadcast system. AF lists up which reception frequencies at the area are broadcasting the same program and automatically changes to the best reception quality offering frequency without the need to interrupt the program by a seek function.
- Traffic programmes and announcements can be automatically received using the TP/TA features.
- **EON-TA**: With activated EON function traffic announcements can be heard when listening programs which do not broadcast such information by the selves. To do this, the tuner changes to another program only for announcements, returning automatically afterwards to the previous listened program.
- **PTY** program type selection enables to select the contents of programs who are supporting this service.



STATION NAME DISPLAY

The station name is displayed automatically when a RDS station is received.

RDS AF/REG FUNCTION

To switch on or off the AF function (Network-Tracking), shortly press the '**AF**' button. To switch on or off the REG function (Regional Network Tracking), press the '**AF**' button longer than 2 seconds.

- Mode 1 (AF: on/REG: on):

Network-Tracking is activated. Regional mode is engaged (AF function changes between stations broadcasting the same program at all times). Regional mode shall be selected only in case of driving in certain local areas.

- Mode 2 (AF: on/REG: off):

Network-Tracking is activated. AF function changes between stations belonging to the broadcast network being received.

Note: A station broadcasting a different regional program in the same network may be received at certain times. This can happen only in case of listening to regionalized programs; in mode 2 this is no malfunction!

- Mode 3 (AF: off):

Network-Tracking is deactivated. Only station name will be displayed. In case of poor reception no alternative station can be used!

Network-Tracking reception

When you are driving in an area where RDS data is broadcasted by stations in a network, following procedures are operated in modes 1 and 2 if a RDS station is tuned:

A flashing of the AF indicator in the LCD display shows, the processor is still collecting the complete set of RDS data of this program. Whenever the flashing stops, all data are complete and the RDS functions of this unit can be used as far as they are supported by the program.

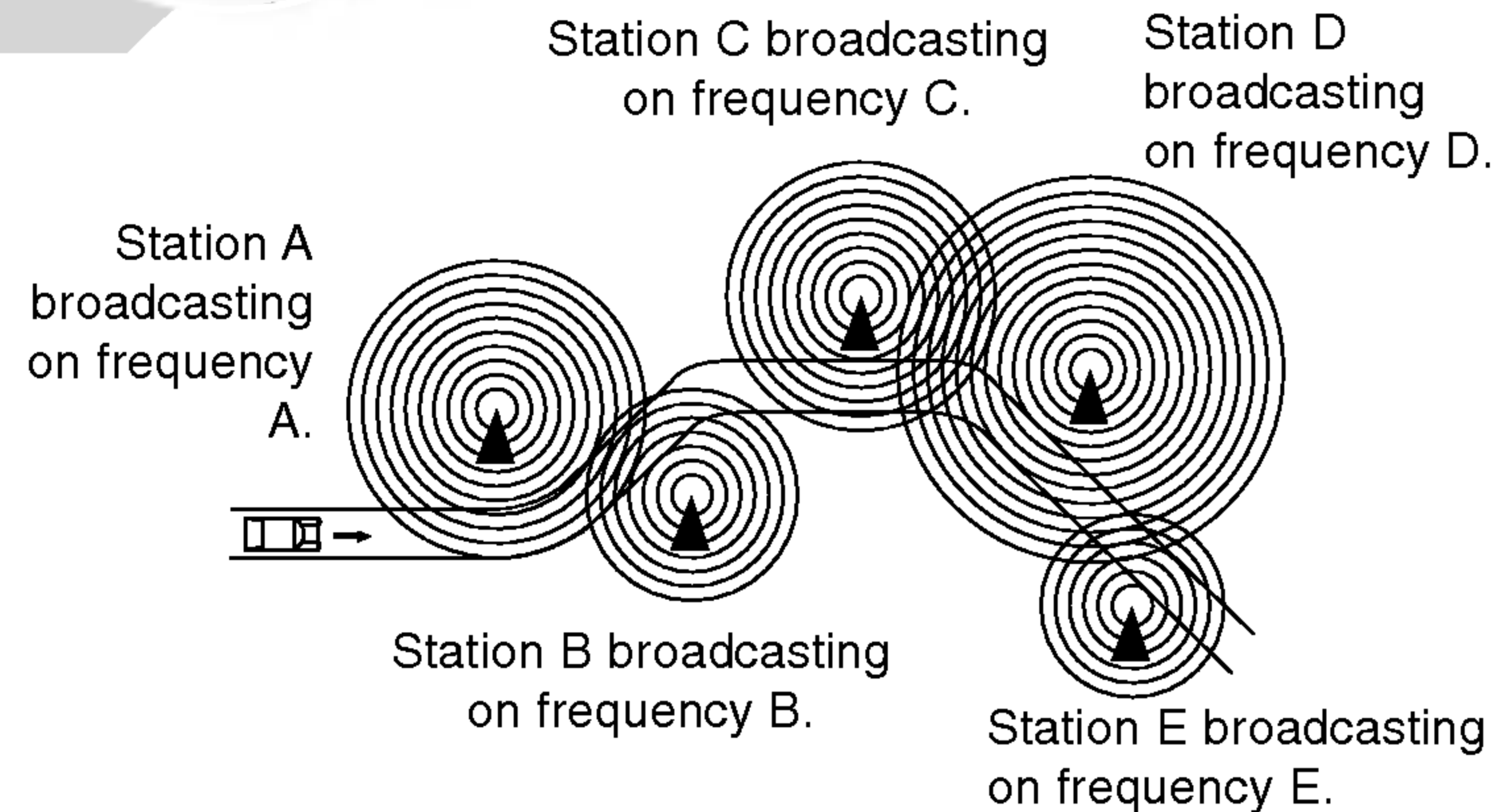
If AF functions are activated: When the reception quality drops, the tuner automatically changes to another station in the network, broadcasting a better reception quality, using the PI and AF codes. This means: wherever you drive, you can continue to listen to the same programme without interruptions.

PI SEEK procedure: If the reception quality drops too much without finding a better quality alternative frequency from the AF list, after a while the PI SEEK function starts (Display: 'SEEK-PI'). The tuner is searching a station of the same program not regarding the AF list, which has the same PI code.



RDS Operation

The same program can be received on different frequencies.



RDS data for preset buttons

When a preset button is pressed, if the station with that frequency is received with a sufficient quality, the receiver will tune to that frequency. When the reception quality is not sufficient for good reception, referring to its AF list, the receiver will change to a station of the same program which is broadcasting the best reception quality (a station broadcasting the same program contents may not be received when mode 2 (REG off) is selected and a regional program is selected).

If a sufficient quality station cannot be found in the AF list, PI-seeking tuning starts automatically.

LOCAL/DX selection in EON-TA mode

In the EON-TA mode, press the TA button for more than 2 seconds, causes only local and strong stations to be received. When TA button is pressed for more than 2 seconds, it receives all stations, including distant and weak ones. It is recommended to set TA button to the local position to receive local stations with good sound quality.

REG FUNCTION(Regional)

(Only available in certain countries)

- When the AF button is pressed for more than 2 seconds, the indication "REG" appears on the display and the radio activates the search for regional programmes being transmitted by the same broadcasting station.
- When the REG function is enabled, you can only hear regional programmes.
- When the REG function is enabled, you can also listen to various programmes by means of the alternative frequencies.
- The regional function covers restricted areas of transmission, hence it is advisable to use it only for short distances.

PROGRAM TYPE FUNCTION

To select a certain program type out of the reception band, following procedure can be operated.

1. Press **BAND** to select in FM mode.
2. After, pressing **PTY** button one by one activated as selecting each mode.

music group→speech group→search off

3. Press one of the **PRESET (1-6)** button shortly. Each time this button is pressed, the display mode changes as follow.

No	Music group
1.	Pop M, Rock M
2.	Easy M, Light M.
3.	Classics, Other M
4.	Jazz, Country
5.	Nation M, Oldies
6.	Folk M
No	Speech group
1.	News, Affairs, Info
2.	Sport, Educate, Drama
3.	Culture, Science, Varied
4.	Weather, Finance, Children
5.	Social, Religion, Phone In
6.	Travel, Leisure, Document



NOTES

- The Program Type data is supplied from the broadcast station. If the program contents do not match with the selected program type this is no fault of the this unit processor but it is desired by the broadcast station.
- Some programs do not support the PTY function with data. If none of the receivable stations in the FM band support the selected program type, another program type can be selected or the PTY function can be switched off.

RECEPTION FREQUENCY DISPLAY

As long as there was no RDS data reception, the LCD display shows the actual reception frequency, After PS data was read from RDS signal, steadily the station name (PS) is displayed unless the AF function decides to receive another frequency . In that case, for 3 sec. The new reception frequency will be shown automatically.

RDS MODE Adjustment

1. Press the **SEL** button for more than 2 seconds it is activated selecting mode.
2. After, pressing **SEL** button one by one activated as selecting each mode.
3. Turn left or right CONTROL UP/DOWN (or press **VOLUME** (▼ / ▲) on the remote control) to select the indicator.

TA SEEK mode

When the newly tuned station does not receive TP information for 5 sec, the receiver retunes to next station which has no same PI as the last station's, but has the TP information.

TA ALARM mode

When a newly tuned station has no TP information for 5 sec, double beep sound is ouput.

PI SOUND mode

If the sound of a station with different PI is heard once in a while, the receiver mutes the sound after 1 second.

PI MUTE mode

If the situation described above is occurred, the receiver mutes the sound right now.

RETUNE L mode

The waiting time for starting TA search or PI search is selectable. Retune time is set to 90 seconds.

RETUNE S mode

The waiting time for starting TA search or PI search is selectable. Retune time is set to 30 seconds.

BEEP 2ND mode

The beep is only generated when key is pressed long (1 sec)

BEEP ALL mode

The beep is generated when every key is pressed.



Radio Operation

Listening the radio stations

1. Press **POWER/MUTE** (🔊) [PWR/MUTE on the front panel] button to turn the unit on.
 - When you select a source the unit is turned on.
2. Press **FUNC.** button to select the tuner.
3. Press **BAND** button to select a band.
 - Press **BAND** button until the desired band is displayed, FM1, FM2, FM3, MW(AM).
4. To perform seek tuning, press the ◀/▶ with quick presses.
 - The tuner will scan the frequencies until a broadcast strong enough for good reception is found.
 - You can cancel seek tuning by pressing either the ◀/▶ with quick presses.
5. To perform manual tuning, press and hold the ◀/▶ for 1 second. And then press the ◀/▶ with quick presses.
 - The frequencies move up or down step by step.

NOTES

- When the selected frequency is being broadcast in stereo, “((ST))” indicator will light.

Storing and recalling broadcast frequencies

You can easily store up to six broadcast frequencies for later recall with the touch of a button.

1. Select the desired frequency
2. Press one of the **preset station** buttons (1 - 6) for more than 1 seconds. The number of the pressed preset station button is displayed.
3. Repeat steps 1 and 2 to preset other stations.

NOTES

- As F1, F2, F3 have the same frequency range, up to 18 station can be preset for FM.
- When a station is preset on the preset station button on which another station of the same band has already been preset, the previously preset station is automatically erased.



Auto Search Memory

This function lets you automatically store the six strongest broadcast frequencies.

1. Press **FUNC.** button to select the tuner.
2. Press **AS/PS** button on the front panel for about 1 second.
 - The scanning starts from the currently displayed frequency to higher frequencies and stops when 6 stations have been preset or the receivable frequencies have been scanned once.

NOTES

- The presetting is not performed if there is no station to be tuned in.
- When the automatic presetting is performed, the previous preset stations are automatically erased.
- To stop the automatic presetting, press **BAND** or **AS/PS** button.

To scan the preset stations

Press **AS/PS** button on the front panel.
To stop the scanning, press **AS/PS** button.

To tune in the preset stations

Press **BAND** to select the desired band and press the desired number buttons (1-6) on the remote control.
The number of the preset station button is displayed and the preset station is received.



Operation with Audio CD, MP3/WMA Disc and CD changer

Playing an Audio CD and MP3/WMA Disc

CD MP3 WMA

The unit can play MP3/WMA formatted recordings on CD-ROM, CD-R or CD-RW discs.

Before playing MP3/WMA recordings, read the notes on MP3/WMA Recordings on page 24.

- To play a file directly, press **NUMBER (#)** button and then press the track number with **0-9 number** buttons.

Playing a CD changer (OPTIONAL) **CDC**

Playback Setup **CDC**

- Connect the CD Changer connector of this unit to connector of this CD Changer on page 12.
- Audio system: Turn on the audio system and select the input source connected to the unit.

1. Press **PWR/MUTE** or **POWER/MUTE (X)** to turn the unit on.
2. Select the CD changer function pressing **FUNC.** repeatedly.
3. Insert a disc you want to play into the magazine.
Playback starts automatically.

Moving to another Disc **CDC**

Press **D(+/-)** briefly during playback to go to the next disc or step back to the previous disc.

Pause **CD MP3 WMA CDC**

1. Press **PLAY/PAUSE (▶/||)** during playback.
2. To return to playback, press **PLAY/PAUSE (▶/||)** again.

Moving to another Track **CD MP3 WMA CDC**

- Press the **◀ / ▶** briefly during playback to go to the next track or to return to the beginning of the current track.
- Press the **◀** twice briefly to step back to the previous track. (If playing times is in less then 3 seconds and then this function is not operated.)

Search **CD CDC**

Press and hold the **◀ / ▶** for about 1 second during playback and then release at the point you want.

Operation with Audio CD, MP3/WMA Disc and CD changer



Repeat

- a. Press **RPT** during playback. **CD MP3 WMA CDC**
The "RPT" appears in the display window.
(It is played repeatedly the whole music within disc)
- b. Press and hold **RPT** during playback. **CDC**
The "DRT" appears in the display window.
(It is played repeatedly the whole music within disc of CD changer)
2. Press **RPT** again.
The "RPT" disappears in the display window.
(The repeat mode is cancelled.)

Random

- a. Press **SHF** during playback. **CD MP3 WMA CDC**
The "SHF" appears in the display window.
(It is played redomly the whole music within disc)
- b. Press and hold **SHF** during playback. **CDC**
The "DSF" appears in the display window
(It is played redomly the whole music within disc of CD changer)
2. Press **SHF** again.
The "SHF" disappears in the display window.
(The random playback is cancelled.)

NOTE

- During random playback, if you press **◀** button to don't go back to the previous track

MP3/WMA TRACK -10/+10

Durning playback, press the -10 (D-) button to go back to the previous 10th track, and press +10 (D+) button to go forward to the next 10th track.

Intro scan

- a. Press **SCAN**. **CD MP3 WMA CDC**
The "SCAN" appears in the display window.
(It is played first 10 seconds of the whole music within disc)
- b. Press and hold **SCAN**. **CDC**
The "DSN" appears in the display window.
(It is played first 10 seconds of the whole music within disc of CD changer)
2. Press **SCAN** again.
The "SCAN" disappears in the display window.
(The intro scan is cancelled.)

ID 3 TAG **MP3 WMA**

When playing a disc containing information, you can see the information (ID3 TAG, Title, Artist and Album) in the display window. If there is no information, "No Title, No Artist and No Album" or "NO TEXT" will be shown in the display window.

Press twice the **DISP** button during MP3 file playback.



Operation with Audio CD, MP3/WMA Disc and CD changer

Notes on MP3/WMA Recordings

About MP3

- An MP3 file is audio data compressed by using the MPEG1 audio layer-3 file-coding scheme. We call files that have the “.mp3” file extension “MP3 files”.
- The unit can not read an MP3 file that has a file extension other than “.mp3”.

About WMA (Window Media Audio)

- An WMA file is a Microsoft audio compression technology.
- WMA(Windows Media Audio) offers double the audio compression of the MP3 format.

MP3/WMA Disc compatibility with this unit is limited as follows:

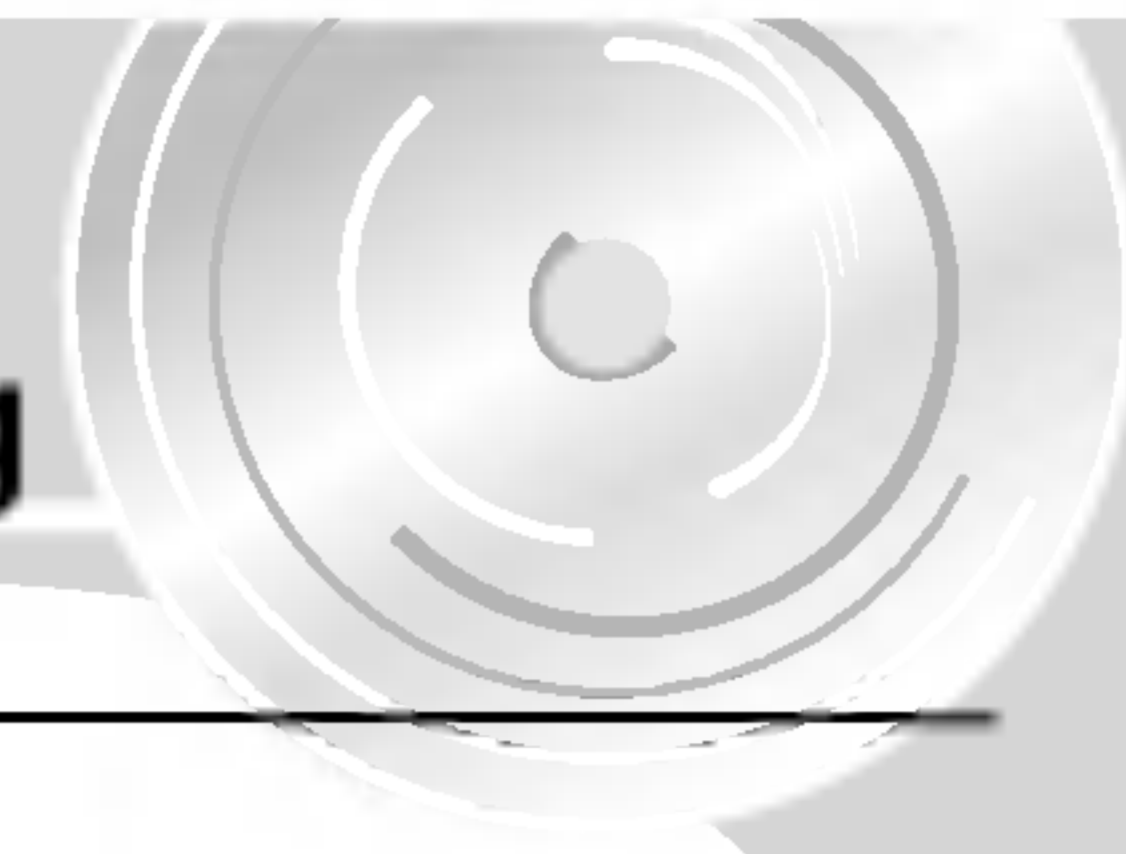
1. Sampling Frequency / 32 - 48kHz (MP3)
22.05 - 48kHz (WMA)
2. Bit rate / within 32 - 320kbps (include VBR) (MP3)
16 - 192kbps (WMA)
3. CD-R/CD-RW physical format should be “ISO 9660”
4. If you record MP3/WMA files using the software which cannot create a FILE SYSTEM, for example “Direct-CD” etc., it is impossible to playback MP3/WMA files. We recommend that you use “Easy-CD Creator” which creates an ISO9660 file system.

5. A single session disc requires MP3/WMA files in the first track. If there is no MP3/WMA file in the 1st track, it cannot playback MP3/WMA files. If you wish to playback MP3/WMA files, format all the data in the disc or use a new one.
6. ID3 TAG: Title, Artist or Album names should have a maximum 30 letters or less.
The file must incorporate “.mp3” or “.wma” extension e.g. “*****.MP3” or “*****.WMA”.

This unit requires discs/recordings to meet certain technical standards in order to achieve optimal playback quality. There are many different types of recordable disc formats (including CD-R/CD-RW containing MP3 or WMA files). That require certain pre-existing conditions (see above) to insure compatible playback.

Customers should also note that permission is required in order to download MP3/WMA files and music from the Internet. Our company has no right to grant such permission. Permission should always be sought from the copyright owner.

Troubleshooting



Symptom	Cause	Correction
Power doesn't turn on. The unit doesn't operate.	<ul style="list-style-type: none"> Leads and connector are incorrectly connected. The fuse is blown. Noise and other factors are causing the built-in microprocessor to operate incorrectly. 	<ul style="list-style-type: none"> Confirm once more that all connections are correct. Rectify the reason for the fuse blowing, then replace the fuse. Be very sure to install the correct fuse with the same rate. Turn the unit off and then on.
The unit does not operate correctly even when the appropriate remote control buttons are pressed.	<ul style="list-style-type: none"> Battery power is low. Some operations are prohibited with certain discs. 	<ul style="list-style-type: none"> Load new battery. Check using another disc.
Playback is not possible.	<ul style="list-style-type: none"> The disc is dirty. The loaded disc is a type this unit cannot play. 	<ul style="list-style-type: none"> Clean disc. Check what type the disc is.
No sound are heard. The volume level will not rise.	<ul style="list-style-type: none"> Cables are not connected correctly. 	<ul style="list-style-type: none"> Connect the cables correctly.
There's no sound.	<ul style="list-style-type: none"> The volume level is low. 	<ul style="list-style-type: none"> Adjust the volume.
There's audio skipping.	<ul style="list-style-type: none"> This unit is not firmly secured. 	<ul style="list-style-type: none"> Secure this unit firmly.

REFERENCE



Specifications

General

Output Power	.50W x 4CH(Max.)
Power Source	.DC 12 V
Speaker impedance	.4 Ω
Ground System	.Negative type
Dimensions (W x H x D)	.182 x 51 x 173 mm (Without Front Panel)
Net Weight (approx.)	.1.8 kg

FM tuner

Frequency Range	.87.5-107.9MHz or 87.5-108 MHz or 65-74 MHz, 87.5-108 MHz
S/N Ratio	.55 dB
Distortion	.1.0%
Usable sensitivity	.12 dBμV

MW(AM) tuner

Frequency Range	.520-1720kHz or 522-1620 kHz
S/N Ratio	.45 dB
Distortion	.1.0%
Usable sensitivity	.32 dBμV

CD

Frequency Response	.40 - 20000 Hz
S/N Ratio	.70 dB
Distortion	.0.15%

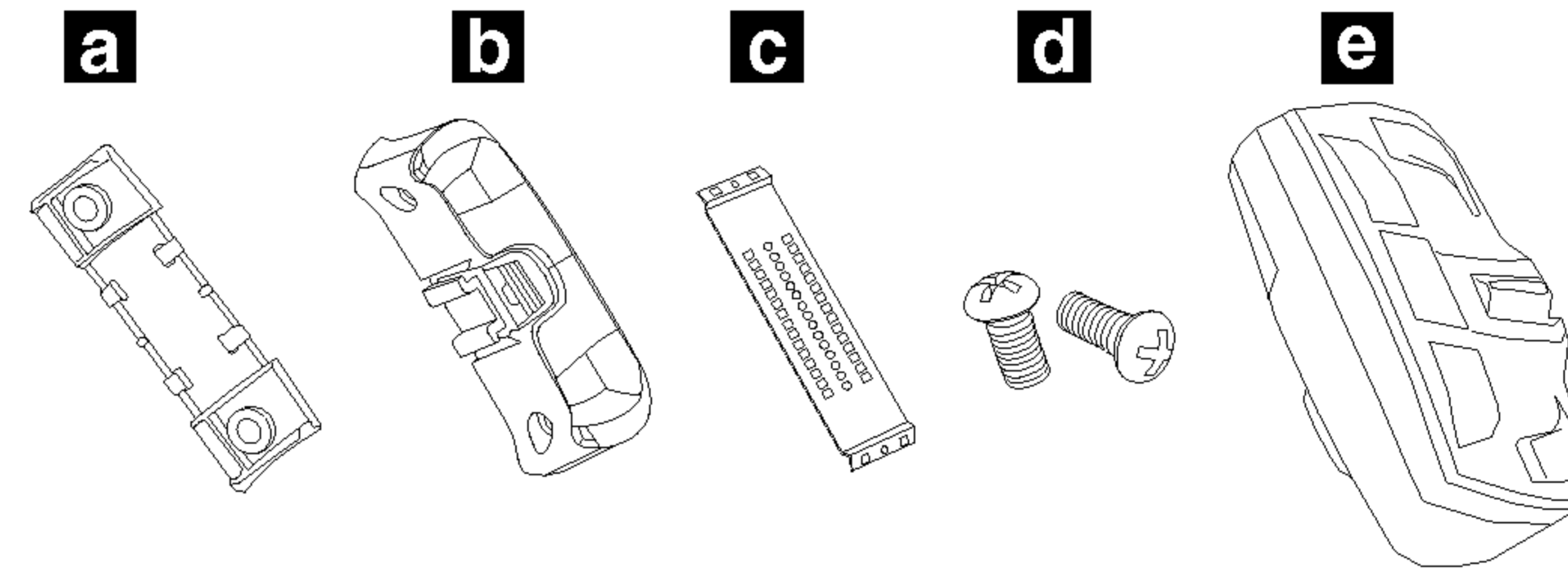
- Design and specifications are subject to change without notice.

STEERING REMOTE CONTROL

Table of Contents

Attachment Parts	28
Specifications	28
Safety Precautions	29
Appellation	30
Before Use	31
Install the specified battery in this unit	31
Replacing the battery	31
Installation	32-33
Installing the unit on a Left-Hand-Drive Car.....	33

Attachment Parts



- a** Cover holder
- b** Holder Wheel
- c** Belt
- d** Screw
- e** Remote control

Specifications

Power source	3 V DC
Dimensions	31(W) X 59(H) X 27.6(D)mm
Weight	45g
Wavelength	940 nm ± 50nm
Output	type;12 mw/sr per Infrared LED

- Design and specifications are subject to change without notice.
- Brand of controllable car receiver :
LG (LAC-M1500, LAC-M2500, LAC-M5500, LAC-M6500, LAB-M7500).

Safety Precautions

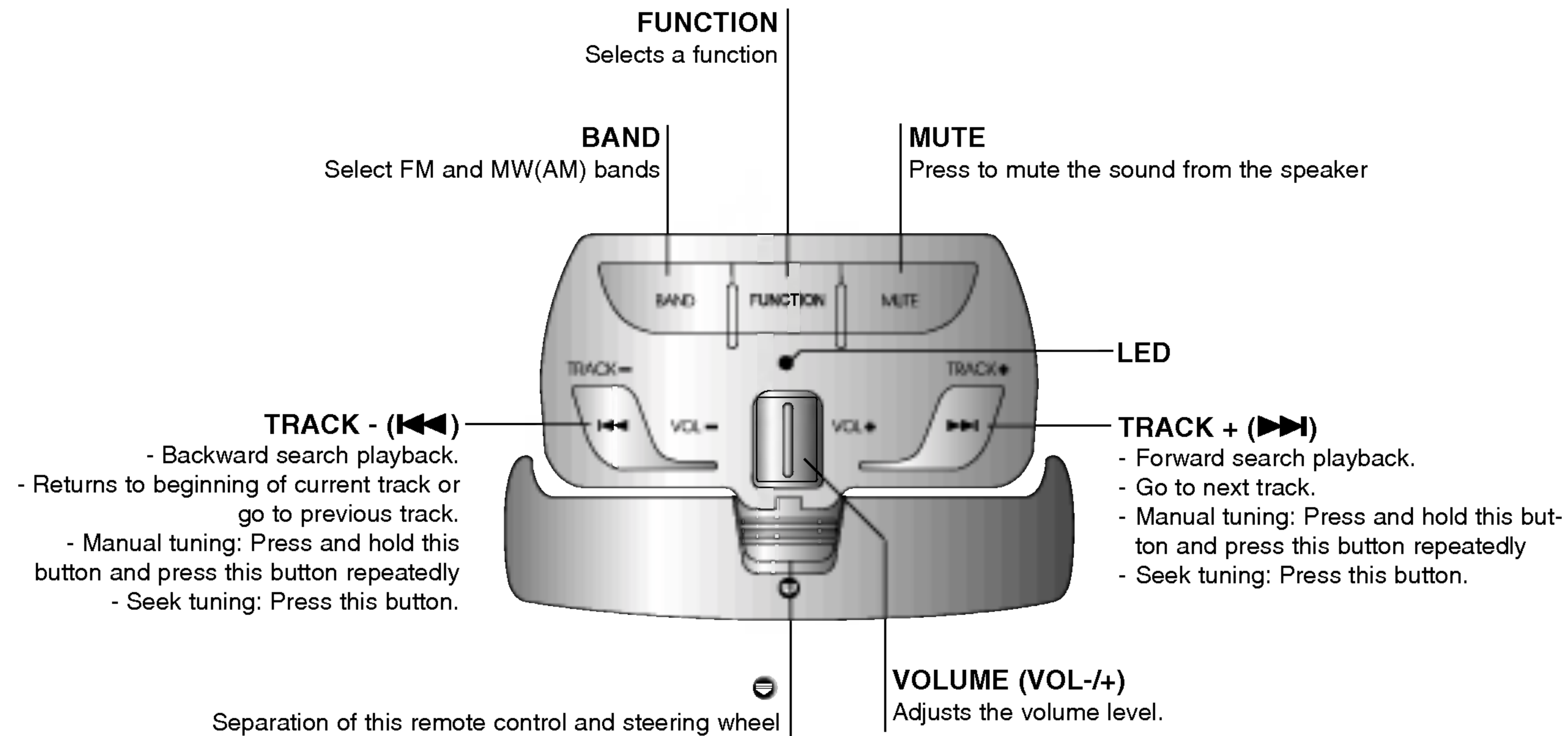
WARNING

- Keep the lithium battery out of reach of children. Should the battery be swallowed, immediately consult a doctor.
- Avoid installing this unit in such a location where the operation of safety devices such as airbags is prevented by this unit. Otherwise, there is danger of a fatal accident.
- Avoid installing this unit in such a location where the operation of the steering wheel and the gearshift lever may be prevented. Otherwise, it may result in a traffic accident.
- In case you operate this unit unavoidably during driving, do not neglect ahead carefully. Otherwise, you will be ready to run the risk of being involved in a traffic accident.
- If any of the following troubles occurs, immediately stop the use of this unit and consult with a dealer from whom you purchased unit:
 - the unit is smoking.
 - the unit is emitting abnormal odor.
 - a foreign object has entered the unit.
 - liquid has been spilled on or into the unit.If you continue to use this unit without a remedy, the unit may be damaged badly, which leads to a serious accident or fire.

CAUTION

- Do not recharge, disassemble, heat or dispose of battery in fire.
- Use a CR2025 (3 V) lithium battery only. Never use other type of battery with this unit.
- Do not handle the battery with metallic tools.
- When disposing of used batteries, please comply with governmental regulation or environmental public institution's rules that apply in your country /area.
- Always check carefully that you are loading battery with its (+) and (-) poles facing in the proper directions.
- Installation of this unit requires specialized skills and experience. Installation of this unit should be entrusted to a dealer from whom you purchased this unit.
- Install this unit using only the parts supplied with this unit. If other parts are used, this unit may be damaged or dismantled itself, which leads to an accident or trouble.
- Install this unit as required by this manual. Failure to do so may cause an accident.
- Do not install this unit near the doors where rainwater is likely to be spilled on the unit. Incurring of water into the unit may cause smoking or fire.
- The volume of the car stereo should be so adjusted that you can hear a loud sound occurring outside your car. If any happening sound outside your car is deafened by music from the car stereo when you are driving, this condition can be a factor of being involved in a traffic accident.
- Do not leave this unit free inside the car. When the car stops or turns a curve, the unit might drop on the floor. If the unit is rolled and put under the brake pedal, it might prevent the driver from braking well, causing a serious trouble. Be sure to fix this unit to the steering wheel.
- Do not disassemble or modify this unit. To do so may cause a fault.

Appellation



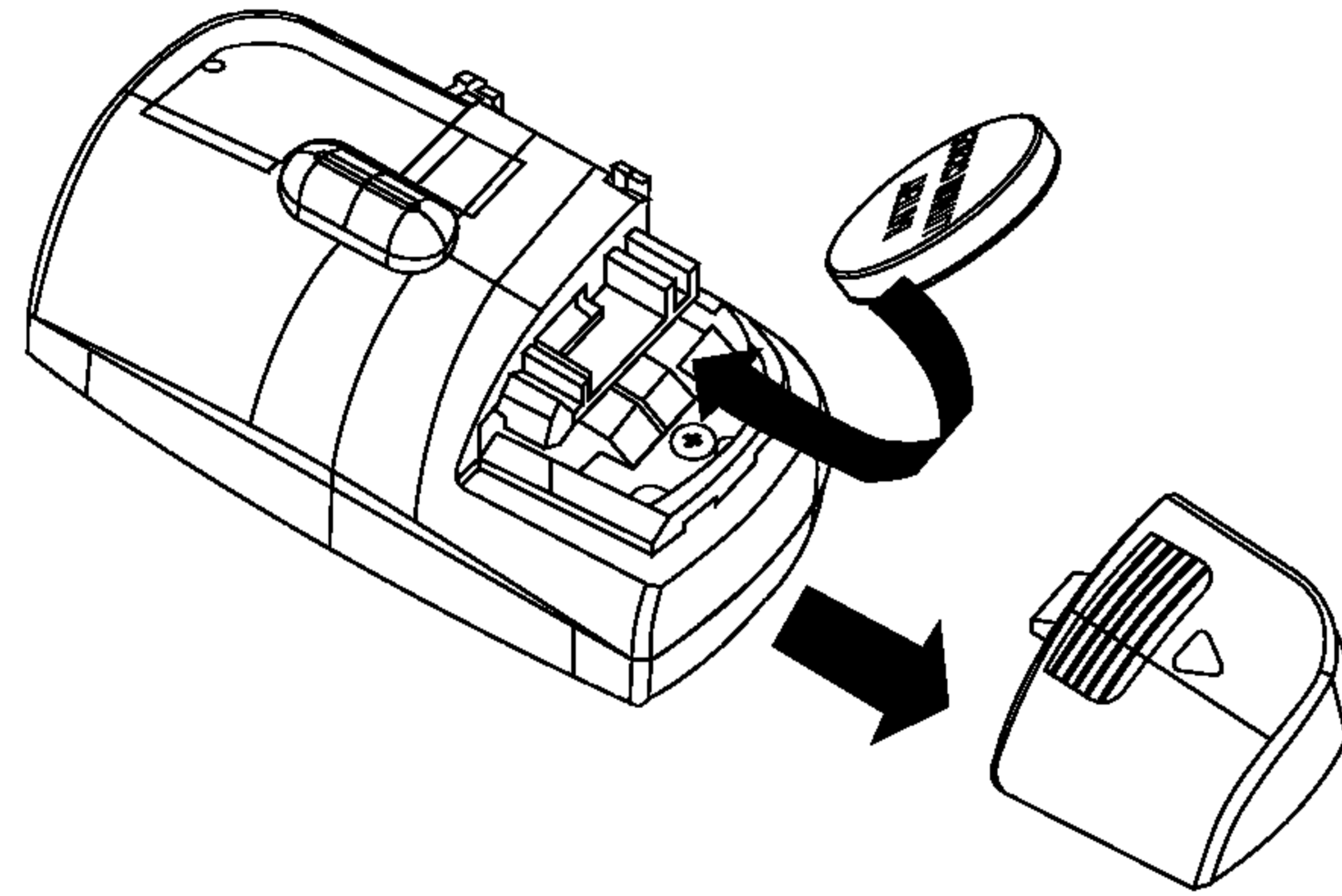
NOTES

- Button on the car receiver head unit and remote control unit with same name have the same function.
- Depending on the car receiver, there may not be some buttons with the same names as those on this unit.
- This unit can not be used for a car receiver that does not accept a remote control unit.
- Brand of controllable car receiver :
LG (LAC-M1500, LAC-M2500, LAC-M5500, LAC-M6500, LAB-M7500).

Before Use

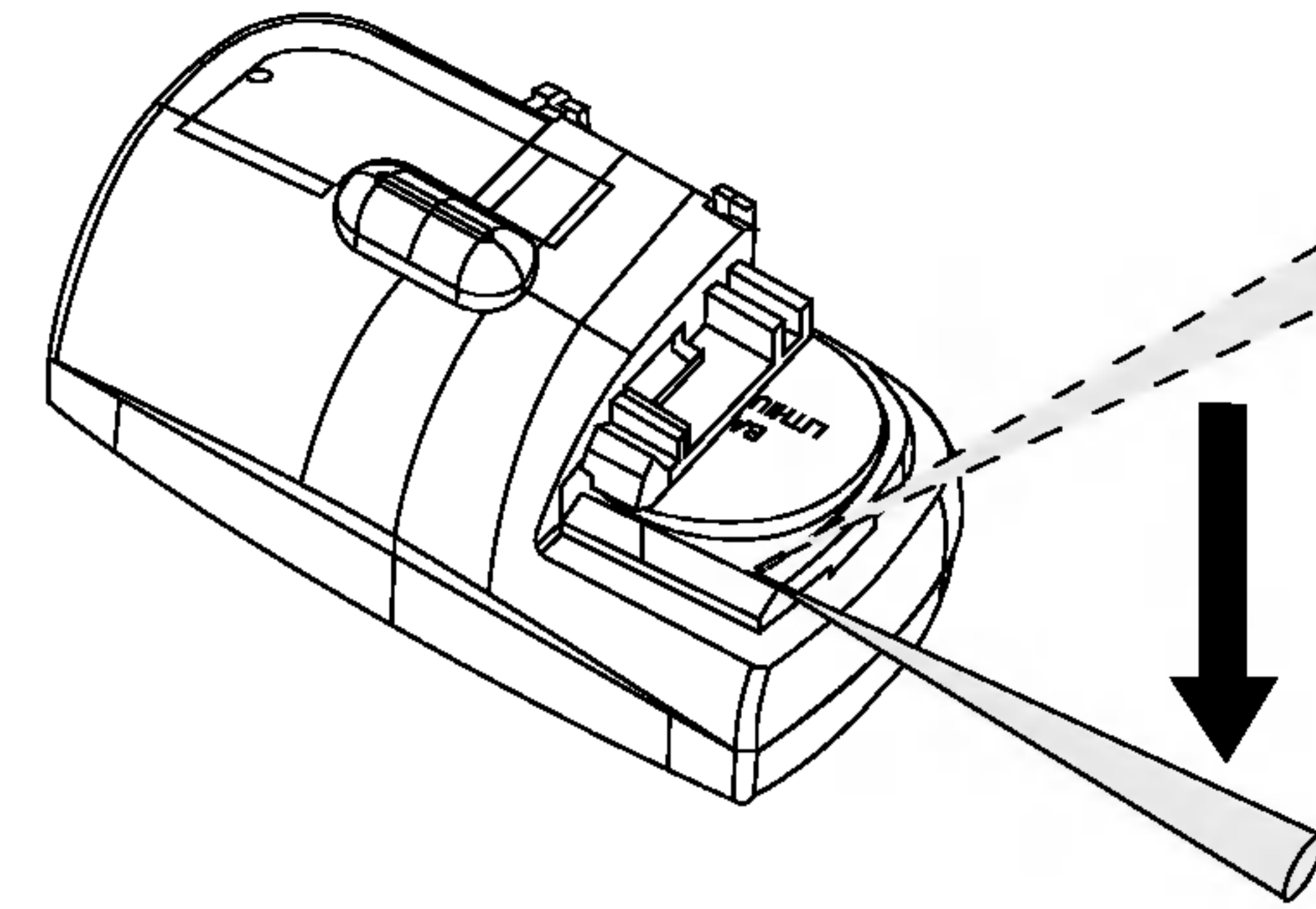
Install the specified battery in this unit

Open the back lid of this unit and place a lithium battery "CR2025" in this unit with its positive (+) side up.



Replacing the battery

Replace the battery in the unit using non metallic tapered bar.



NOTES

- Use only one CR2025 (3V) lithium battery.
- Remove the battery if the remote control is not used for long.
- Do not recharge, disassemble, heat or dispose of the battery in fire.
- Do not handle the battery with metallic tools.
- Do not store the battery with metallic materials.
- In the event of battery leakage, wipe the remote control completely clean and install a new battery.
- Always check carefully that you are loading battery with its (+) and (-) poles facing in the proper directions.
- Do not eat lithium battery.

Installation

⚠ WARNING

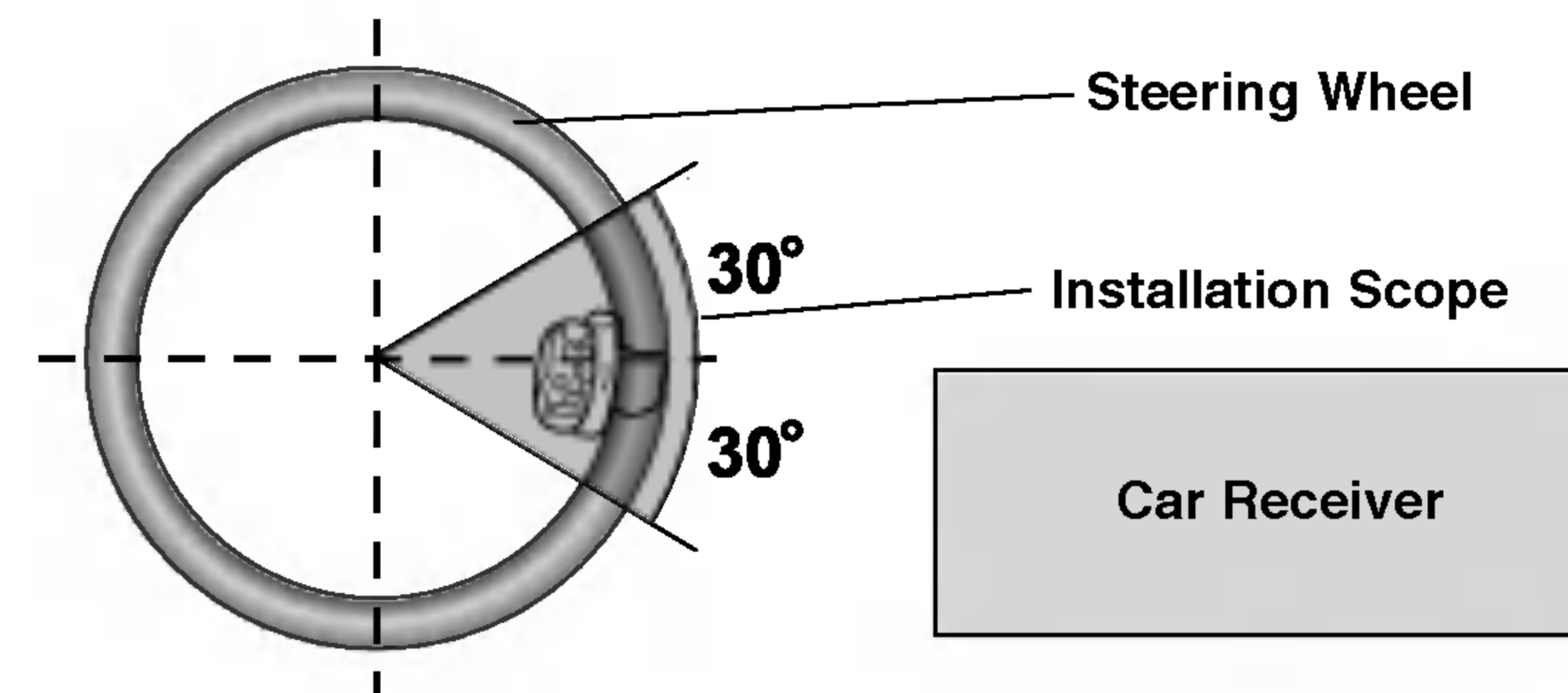
- Avoid installing this unit in such a location where the operation of safety devices such as airbags is prevented by this unit. Otherwise, there is danger of a fatal accident.
- Fix this unit securely to the steering wheel with the belt attached to the unit. If this unit is loose, it disturbs driving stability, which may result in a traffic accident.
- Do not attach this unit to the outer circumference of the steering wheel. Otherwise, it disturbs driving stability, causing a traffic accident. Always attach this unit to the inner circumference of steering wheel as shown.



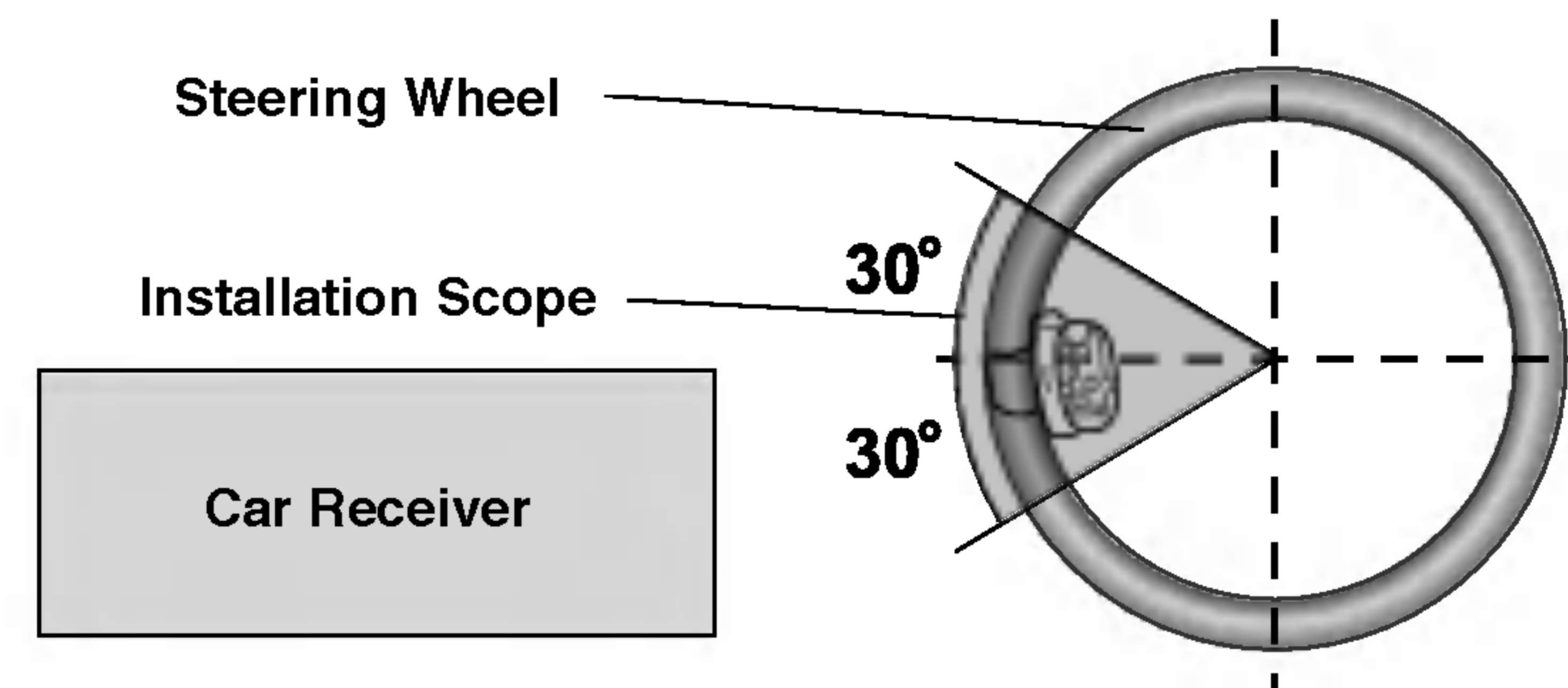
NOTES

- Do not install this unit in such a place as may obstruct the driver's view.
- Since interior layout differs depending on the type of vehicle, the ideal installation location for the unit also differ. When installing the unit, select a location that assures optimum transmission of signals from the unit to car receiver.

Left-Hand-Drive Car



Right-Hand-Drive Car



- If you install in place other than installation scope, this unit is not operated.

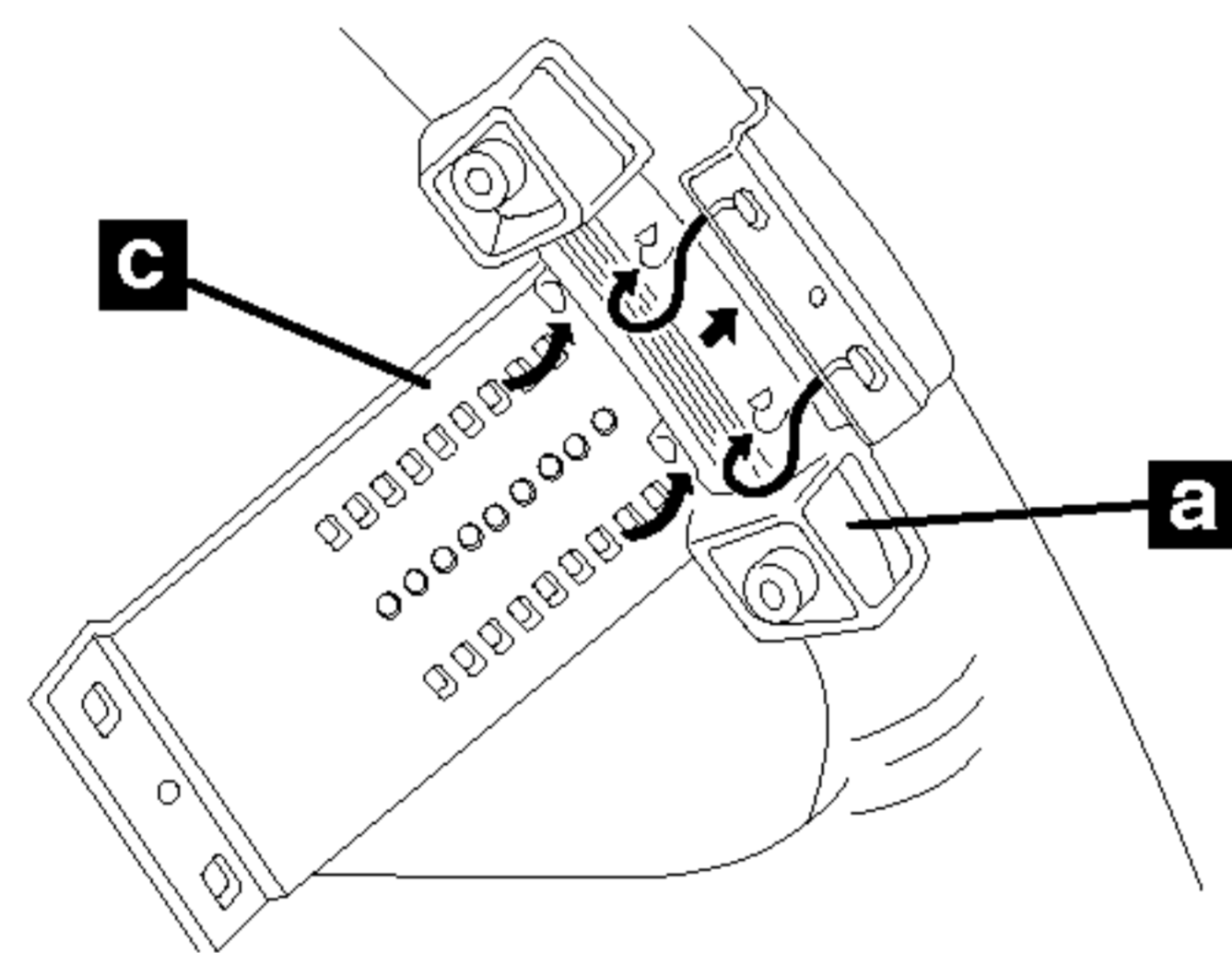
Installation

Installing the unit on a Left-Hand-Drive Car.

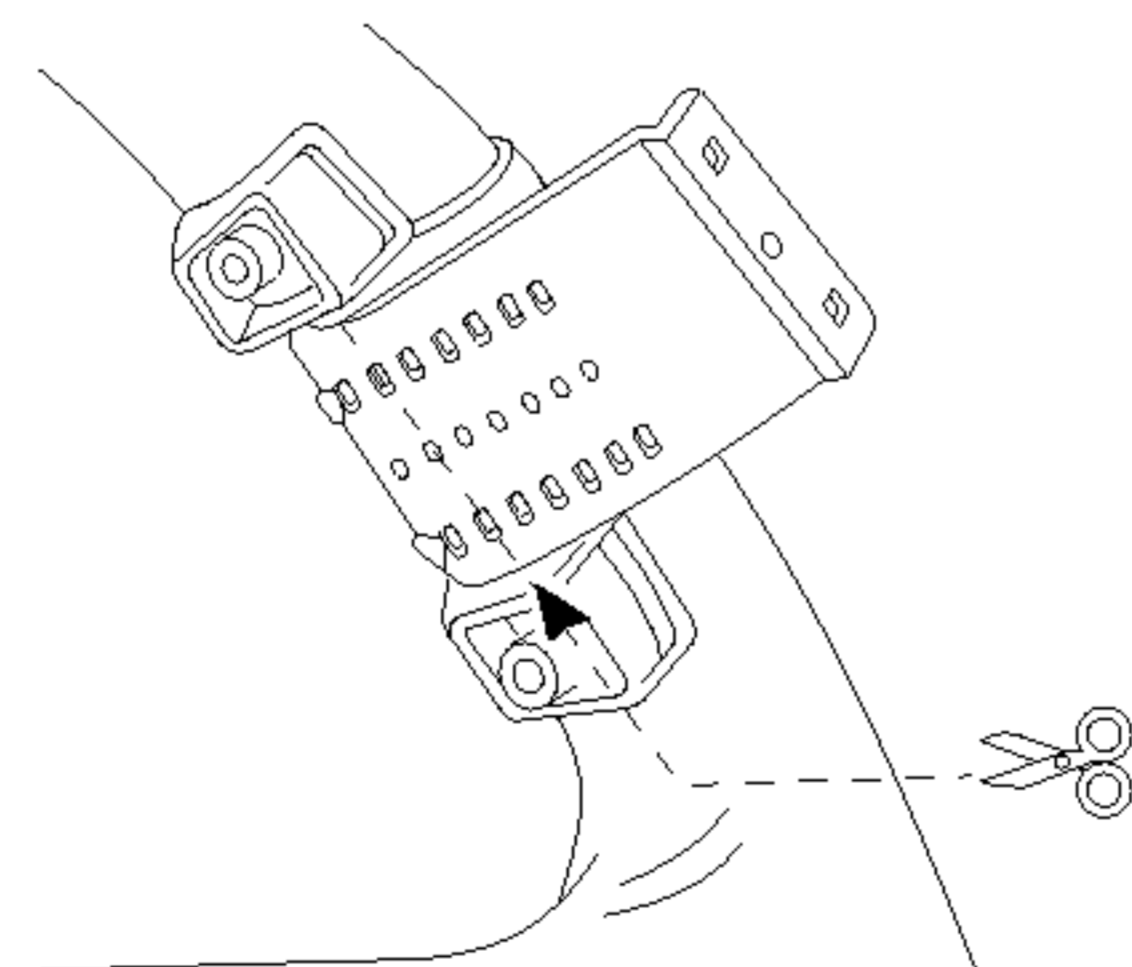
- When the unit is installed on a Right-Hand-Drive car, the horizontal position are inverted.

1. Secure Cover holder **a** to the inner circumference of the steering wheel with belt **c**.

Fit the Cover holder **a** to the steering wheel so that the arrow-marked side faces the driver as shown by picture.

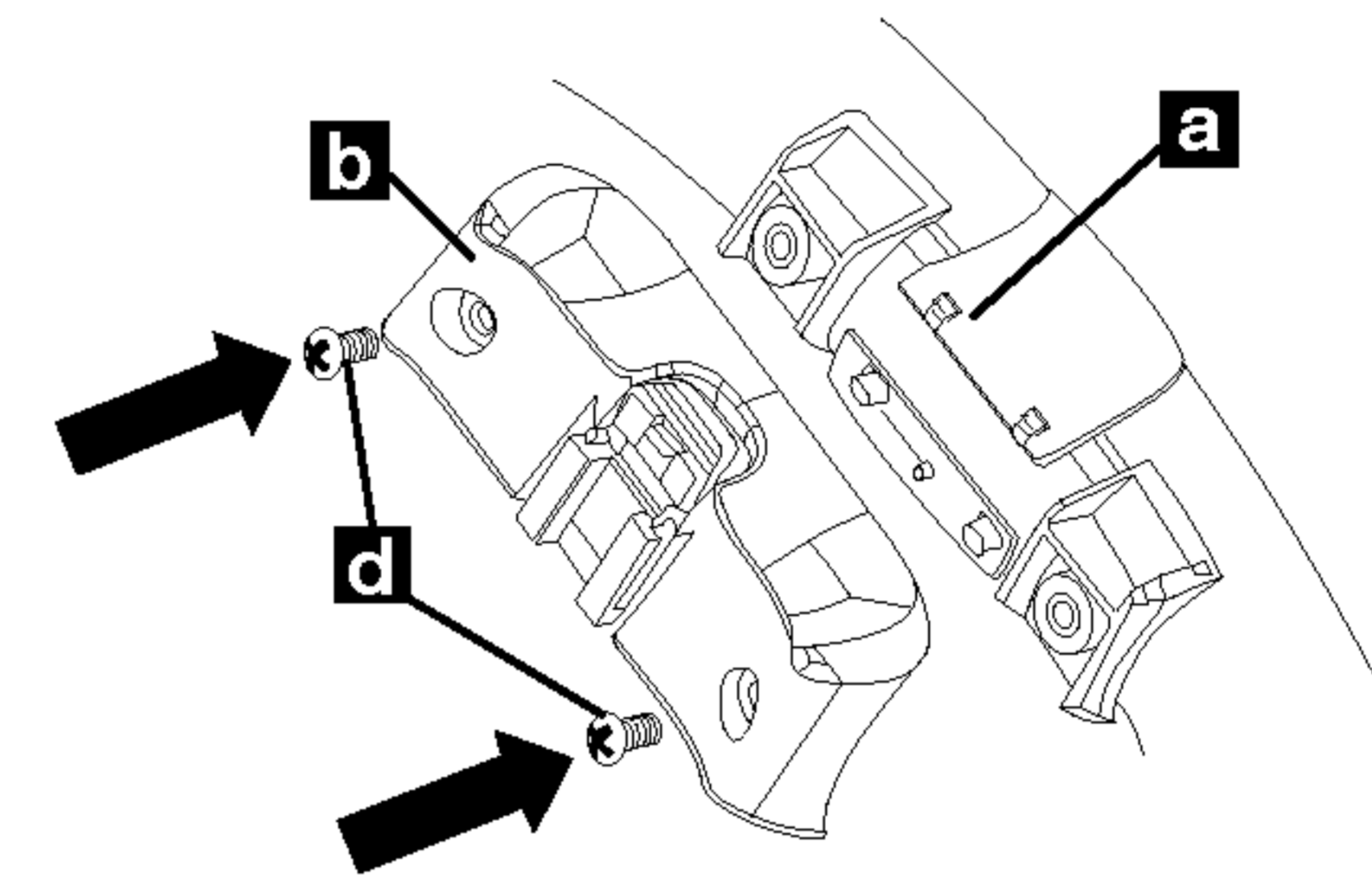


2. Cut the extra portion of the belt at the center of the cover holder.



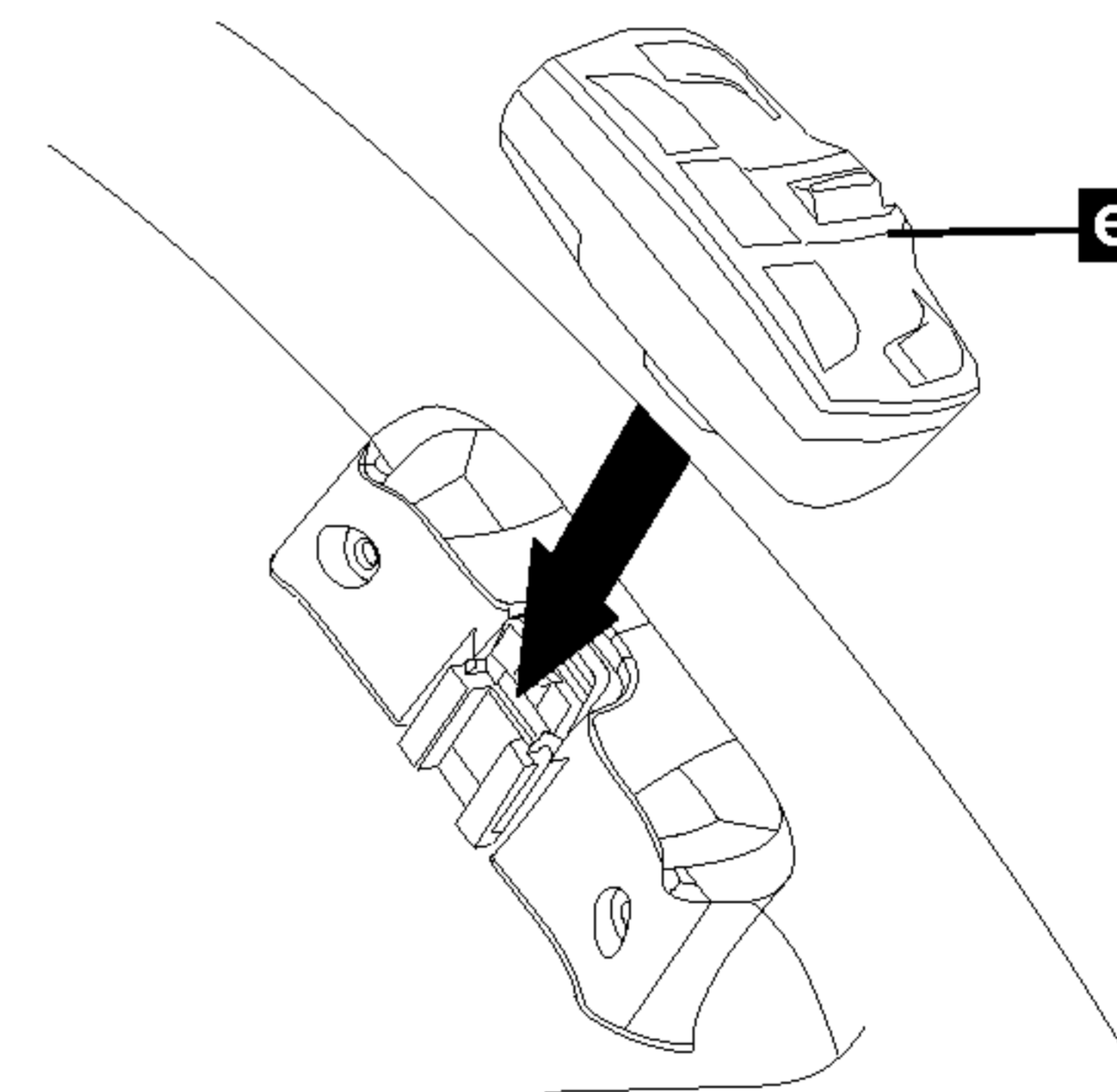
3. Install holder wheel **b** on the cover holder **a** and secure with screws **d**.

Tighten the screw with driver.



4. Install the remote control unit **e** in the holder.

When removing the remote control unit from the holder, move the corrugated release section toward the steering wheel as far as possible before sliding the remote control unit toward you.





P/NO : 3834RR0026H