



# ПЕРАЛНА МАШИНА

## РЪКОВОДСТВО ЗА ЕСКЛПОАТАЦИЯ

WD-10230(5)TB  
WD-12230(5)TB  
WD-14230(5)TB

Благодарим Ви, че закупихте напълно автоматичната пералня на LG Electronics. Моля прочетете внимателно ръководството, То съдържа инструкции за инсталиране и употреба на уреда. Запазете го за бъдещи консултации. Запишете си модела и серийния номер на Вашата пералня.



# Washing Machine OWNER'S MANUAL

WD-10230(5)TB

WD-12230(5)TB

WD-14230(5)TB

Thank you for buying a  
LG Fully Automatic Washing machine.  
Please read your owner's manual carefully, it provides  
instructions on safe installation, use and maintenance.  
Retain it for future reference.  
Record the model and serial numbers of your washing machine.



■ **Protection against Crease Care**

With the alternate rotation of the drum, wrinkling in the laundry is minimized.



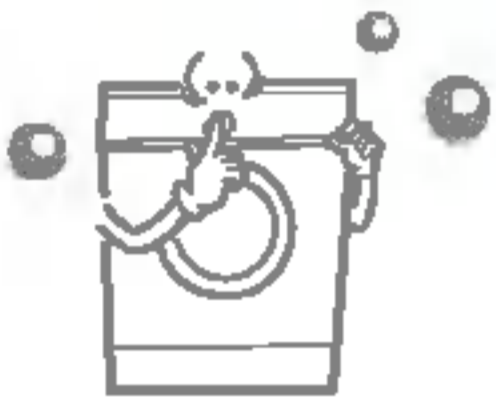
■ **More economical by Intelligent Wash System**

Intelligent Wash System detects the amount of load and water temperature, and then determines the optimum water level and washing time to minimize energy and water consumption.



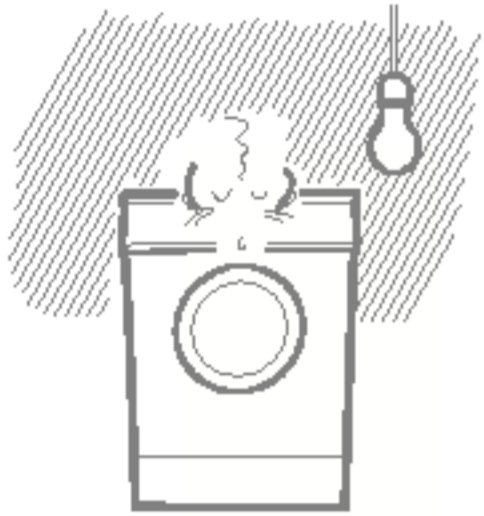
■ **Child-Lock**

The Child-Lock system has been used to prevent children from pressing any button to change the program during operation.



■ **Low noise speed control system**

By sensing the amount of load and balance, it evenly distributes load to minimize the spinning noise level.



■ **Auto Restart**

If the washing machine is turned off by a power failure, it will restart automatically from the position it stopped at adjusting accordingly.

Warnings.....	3
Specification .....	4
Installation.....	5
Care before washing.....	11
Adding detergent .....	12
Function .....	13
How to use washer .....	14
Maintenance .....	21
Troubleshooting guide .....	24
Terms of Warranty .....	27

## READ ALL INSTRUCTIONS BEFORE USE



For your safety, the information in this manual must be followed to minimize the risk of fire or explosion, electric shock, or to prevent property damage, personal injury, or loss of life.

### IMPORTANT SAFETY INSTRUCTIONS

**WARNING :** To reduce the risk of fire, electric shock, or injury to persons when using the washer, follow basic precautions, including the following:

- Do not install or store the washer where it will be exposed to the weather.
- Do not tamper with controls.
- Do not repair or replace any part of the washer or attempt any servicing unless specifically recommended in the user-maintenance instructions or published user-repair instructions that you understand and have the skills to carry out.
- Keep the area underneath and around your appliances free of combustible materials such as lint, paper, rags, chemicals, etc.
- Close supervision is necessary if this appliance is used by or near children.  
Do not allow children to play on, with, or inside this or any other appliance.
- Do not leave the washer door open.  
An open door could entice children to hang on the door or crawl inside the washer.
- Never reach into washer while it is moving. Wait until the drum has completely stopped.
- The laundry process can reduce the flame retardant of fabrics.
- Do not wash or dry articles that have been cleaned in, washed in, soaked in, or spotted with combustible or explosive substances (such as wax, oil, paint, gasoline, degreasers, dry-cleaning solvents, kerosene, etc.) which may ignite or explode.
- To avoid such a result, carefully follow the garment manufacturer's wash and care instructions.
- Do not slam the washer door closed or try to force the door open when locked. This could result in damage to the washer.
- To minimize the possibility of electric shock, unplug this appliance from the power supply or disconnect the washer at the household distribution panel by removing the fuse or switching off the circuit breaker before attempting any maintenance or cleaning.
- Never attempt to operate this appliance if it is damaged, malfunctioning, partially disassembled, or has missing or broken parts, including a damaged cord or plug.

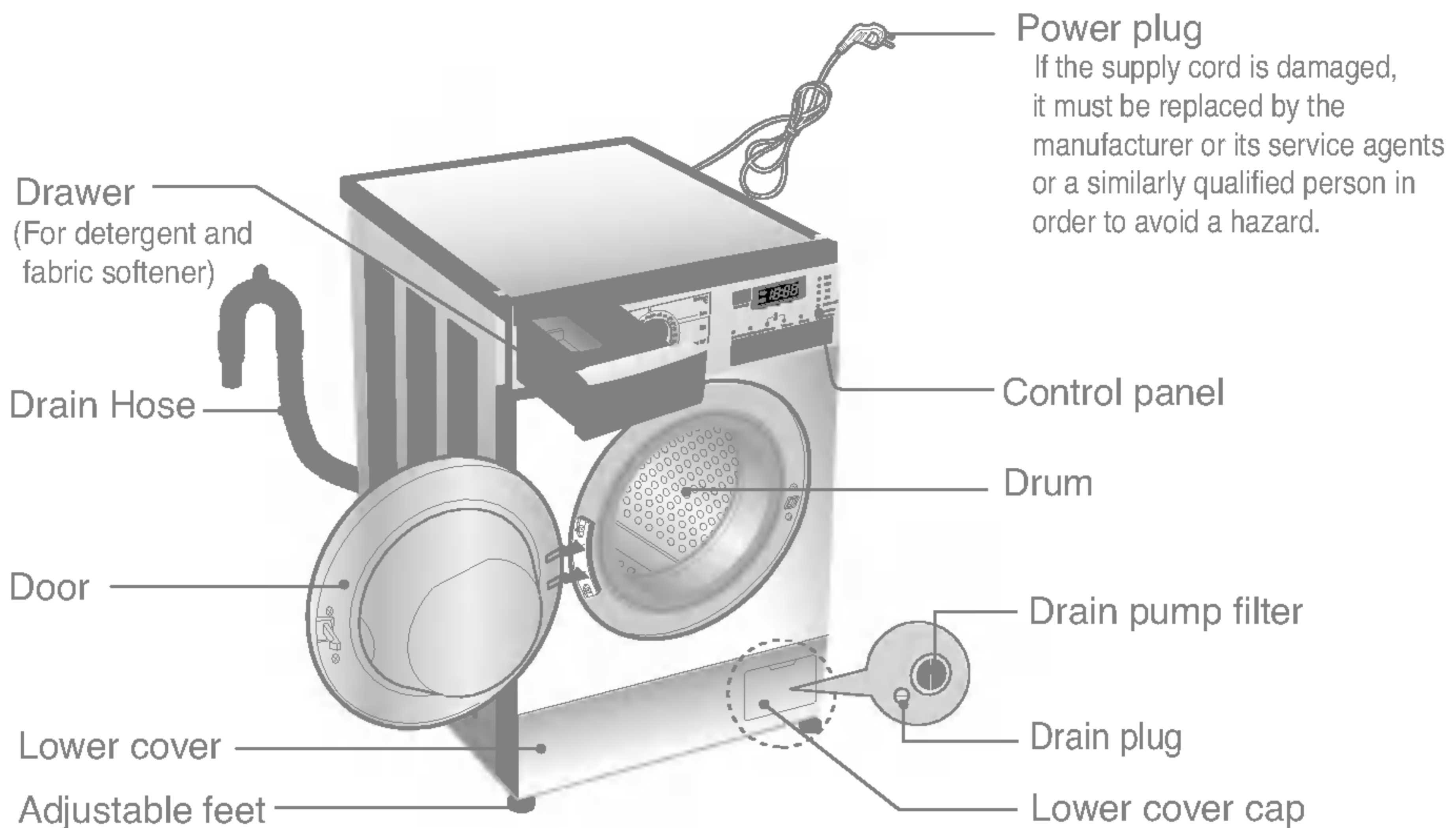
### SAVE THESE INSTRUCTIONS

#### GROUNDING INSTRUCTIONS

This appliance must be grounded. In the event of malfunction or breakdown, grounding will reduce the risk of electric shock by providing a path of least resistance for electric current. This appliance is equipped with a cord having an equipment-grounding conductor and grounding plug. The plug must be plugged into an appropriate outlet that is properly installed and grounded in accordance with all local codes and ordinance.

- Do not use an adapter or otherwise defeat the grounding plug.
- If you don't have the proper outlet, consult an electrician.

**WARNING :** Improper connection of the equipment-grounding conductor can result in risk of electric shock. Check with a qualified electrician or serviceman if you are in doubt as to whether the appliance is properly grounded. Do not modify the plug provided with the appliance - if it does not fit the outlet, have a proper outlet installed by a qualified electrician.



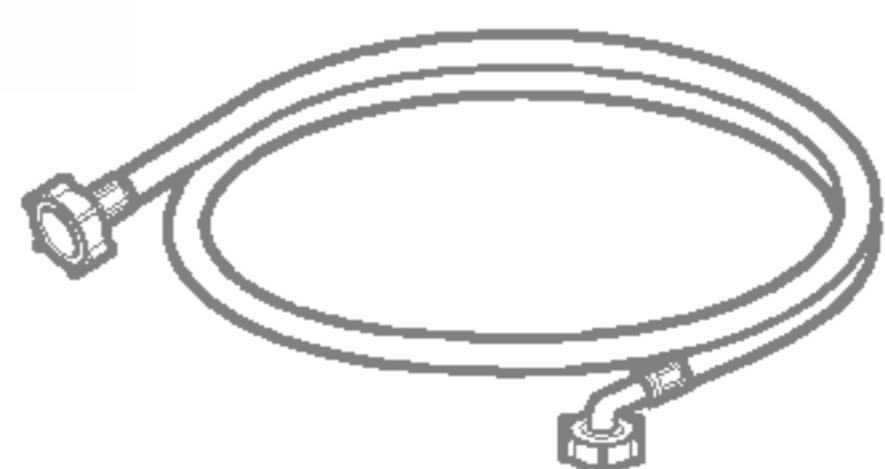
- Name : Front loading washing machine
- Power supply : 220-240V~, 50Hz
- Size : 600mm(W) × 550mm(D) × 850mm(H)
- Weight / Max.Watt : 65kg / 2100W
- Wash capacity : 7kg
- Water consumption : 59 l (8.4 l / kg )
- Permissible water pressure : 0.3-10kgf/cm<sup>2</sup> (30-1000kPa)
- Spin speed : ~~⊗~~ / 400 / 600 / 800 / 1000 [WD-10230(5)TB]  
~~⊗~~ / 400 / 800 / 1000 / 1200 [WD-12230(5)TB]  
~~⊗~~ / 400 / 800 / 1000 / 1400 [WD-14230(5)TB]

■ Noise Level :

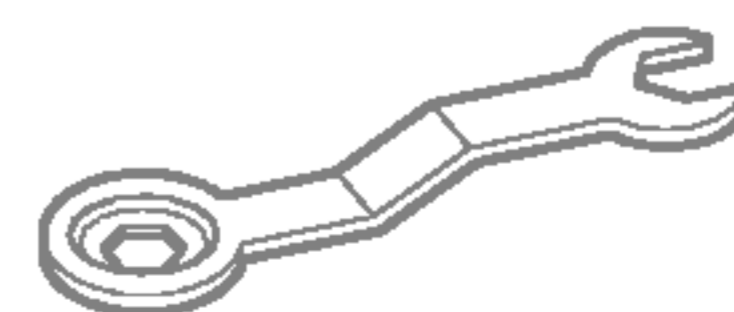
Model	Wash	Spin
WD-10230(5)TB	53dB(A)	70dB(A)
WD-12230(5)TB	53dB(A)	70dB(A)
WD-14230(5)TB	53dB(A)	70dB(A)

\* The appearance and specifications may be varied without notice to raise the units quality.

■ Accessories



Inlet hose 1EA



Spanner

Install or store where it will not be exposed to temperatures below freezing or exposed to the weather. Properly ground washer to conform with all governing codes and ordinances.

The base opening must not be obstructed by carpeting when the washing machine is installed on a carpeted floor.

In countries where there are areas which may be subject to infestation by cockroaches or other vermin, pay particular attention to keeping the appliance and its surroundings in clean condition at all times.

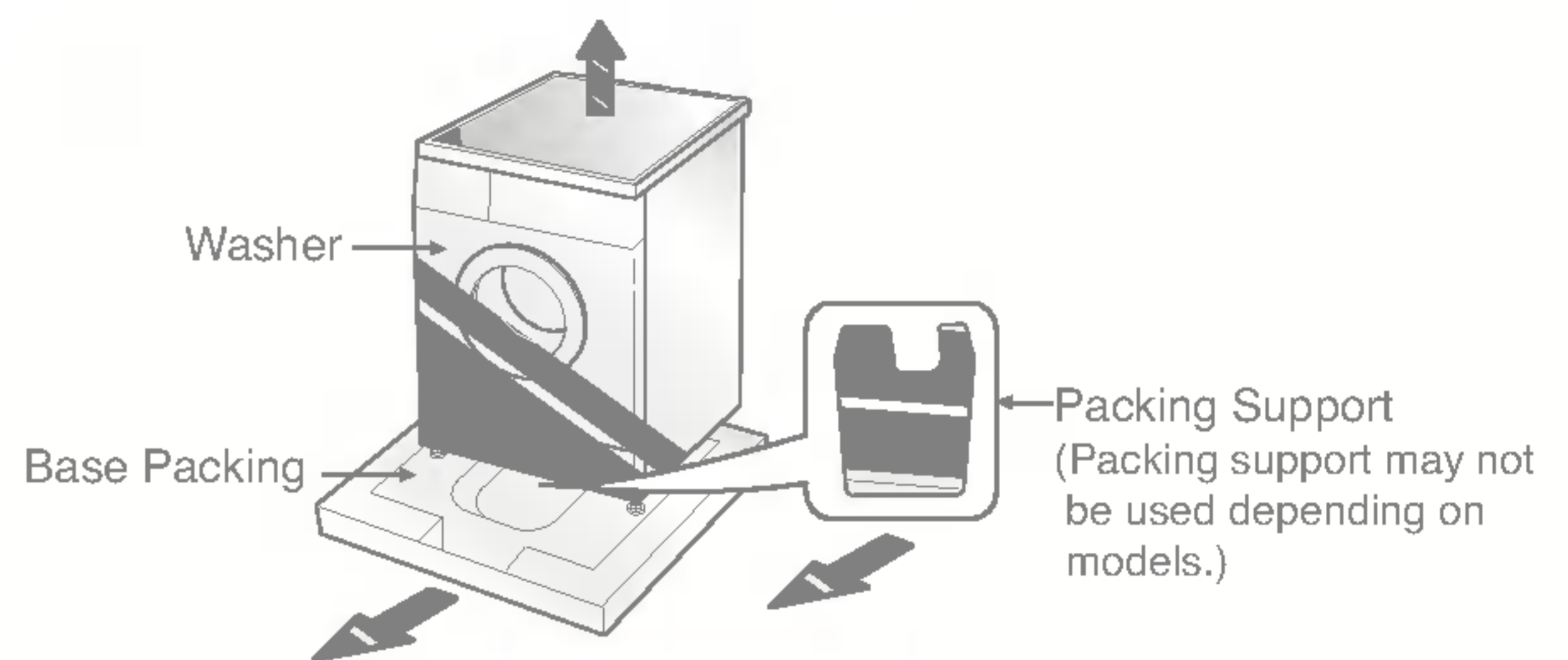
Any damage which may be caused by cockroaches or other vermin will not be covered by the appliance guarantee.

## ■ Transit bolts

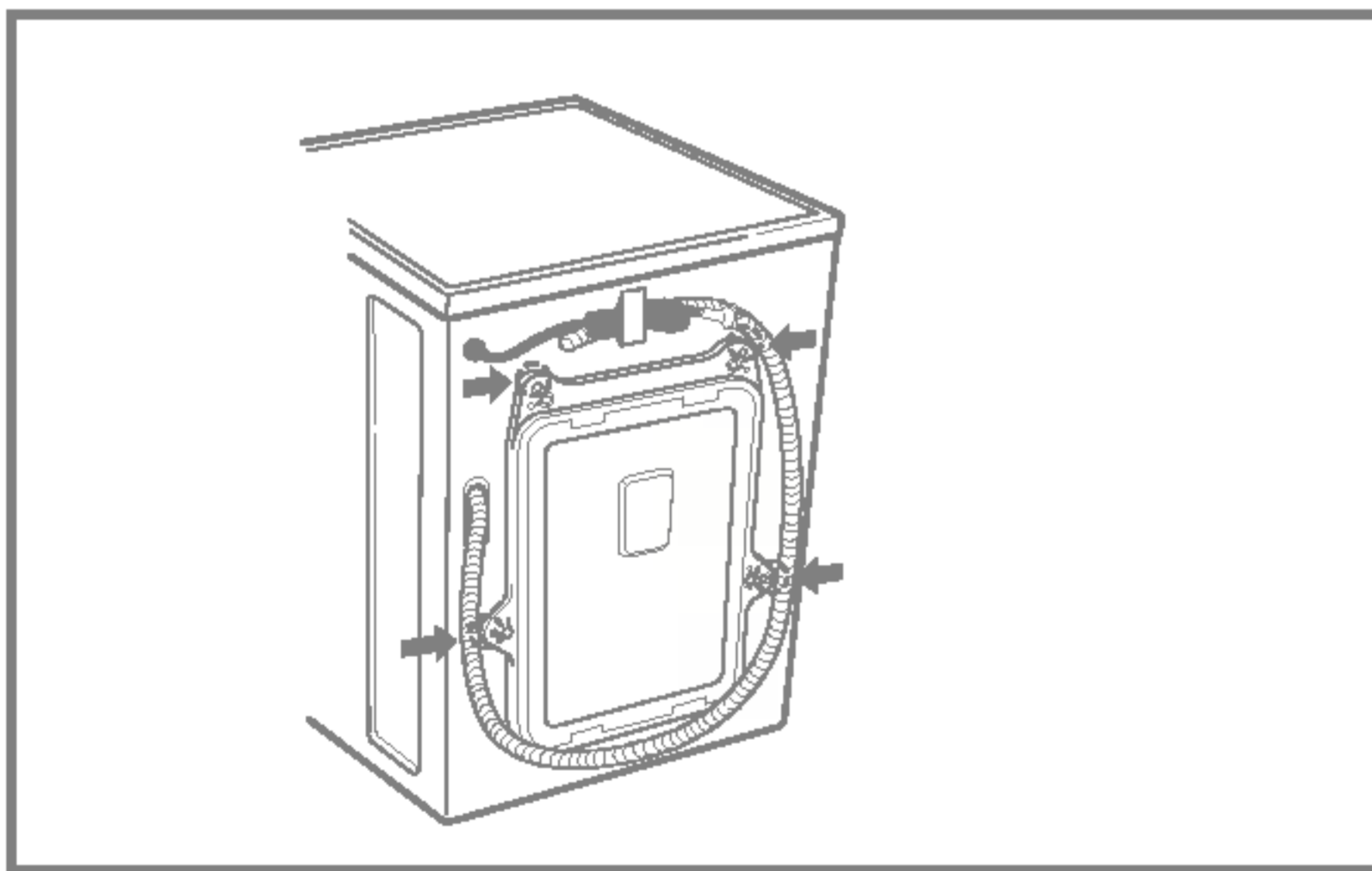
The appliance is fitted with transit bolts to prevent internal damage during transport.

- Packing and all transit bolts must be removed before using the washer.

- When unpacking the base, be sure to remove the additional packing support in the middle of the base packing.



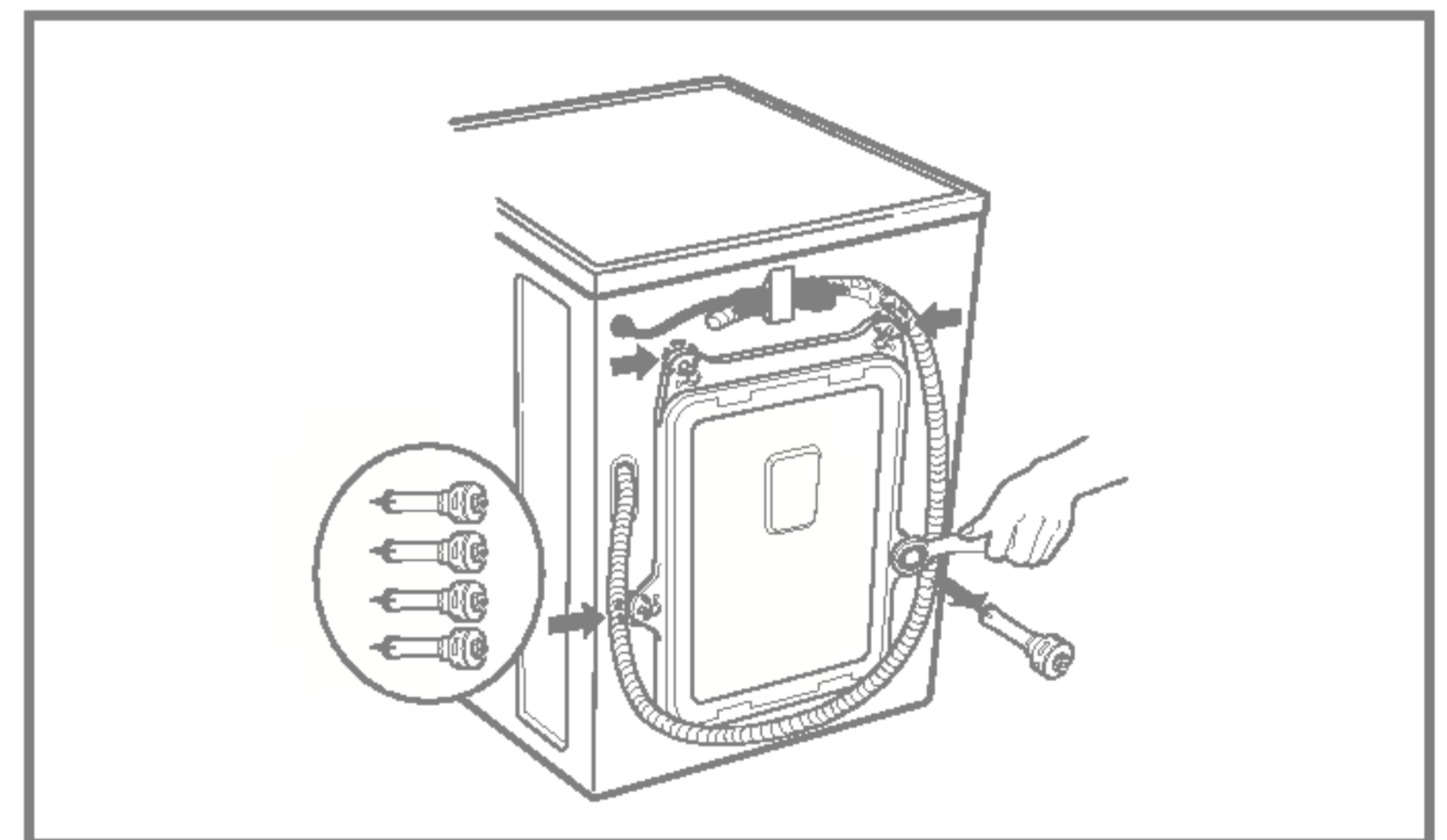
## ■ Removing transit bolts



1. To prevent internal damage during transport, the special 4 bolts are locked. Before operating the washer, remove the bolts along with the rubber bungs.

- If they are not removed, it may cause heavy vibration, noise and malfunction.

2. Unscrew the 4 bolts with the spanner supplied.

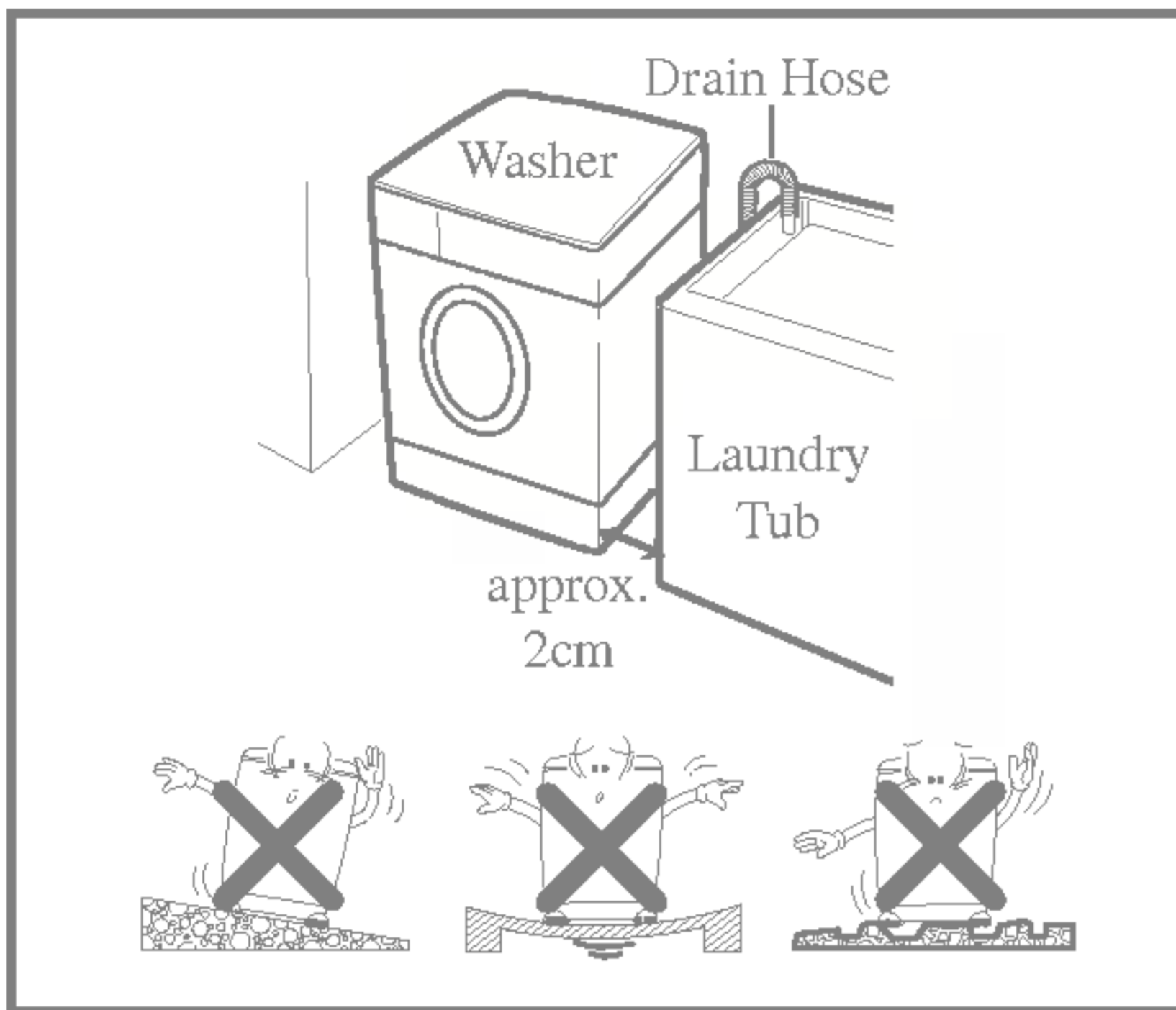


3. Take out the 4 bolts along with the rubber bungs by slightly twisting the bung. Keep the 4 bolts and the spanner for future use.

- Whenever the appliance is transported, the transit bolts must be refitted.

4. Close the holes with the caps supplied.

## ■ Installation place requirement



### **Level floor :**

Allowable slope under entire washer is 1°

### **Power outlet :**

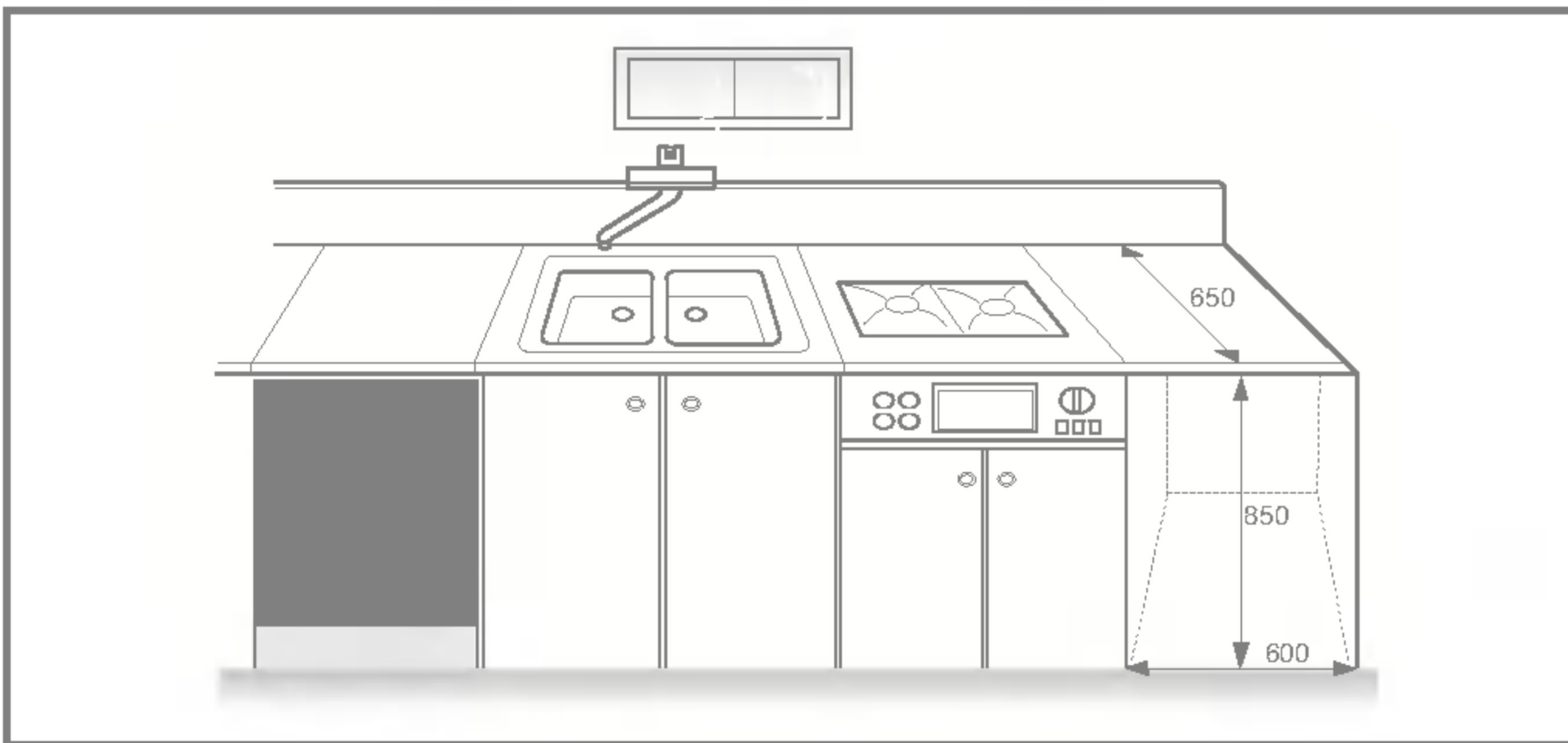
Must be within 1.5 meters of either side of location of washer. Do not overload the outlet with more than one appliance.

### **Additional Clearance :**

For wall, door and floor modeling is required.  
(10cm : rear /2cm:right & left side)

Do not place or store laundry products on top of washer at any times.

They can damage the finish or controls.



## ■ Positioning

Install the washer on a flat hard floor.

Make sure that air circulation around the washer is not impeded by carpets, rug etc.

- Never try to correct any unevenness in the floor with pieces of wood, cardboard or similar materials under the washer.
- If it is impossible to avoid positioning the washer next to a gas cooker or coal burning stove, an insulating(85x60cm) covered with aluminum foil on the side facing the cooker or stove, must be inserted between the two appliance.
- The washer must not be installed in rooms where the temperature can drop below 0°C.
- Please ensure that when the washer is installed, it is easily accessible for the engineer in the event of a breakdown.
- With the washer installed adjust all four feet using the transit bolt spanner provided ensuring the appliance is stable, and a clearance of approximately 20mm is left between the top of the washer and the underside of the work-top.

## ■ Electrical connection

1. Do not use an extension cord or double adapter.
  2. If the supply cord is damaged, it must be replaced by the manufacturer or its service agents or similarly qualified person in order to avoid a hazard.
  3. Always unplug the machine and turn off the water supply after use.
  4. Connect the machine to an earthed socket in accordance with current wiring regulations.
  5. The appliance must be positioned so that the plug is easily accessible.
- Repairs to the washing machine must only be carried out qualified personnel. Repairs carried out by inexperienced persons may cause injury or serious malfunctioning. Contact your local service center
  - Do not install your washing machine in rooms where temperatures below freezing may occur. Frozen hoses may burst under pressure. The reliability of the electronic control unit may be impaired at temperatures below freezing point.
  - If the appliance is delivered in the winter months and temperatures are below freezing : Store the washing machine at room temperature for a few hours before putting it into operation.

### CAUTION concerning the Power Cord

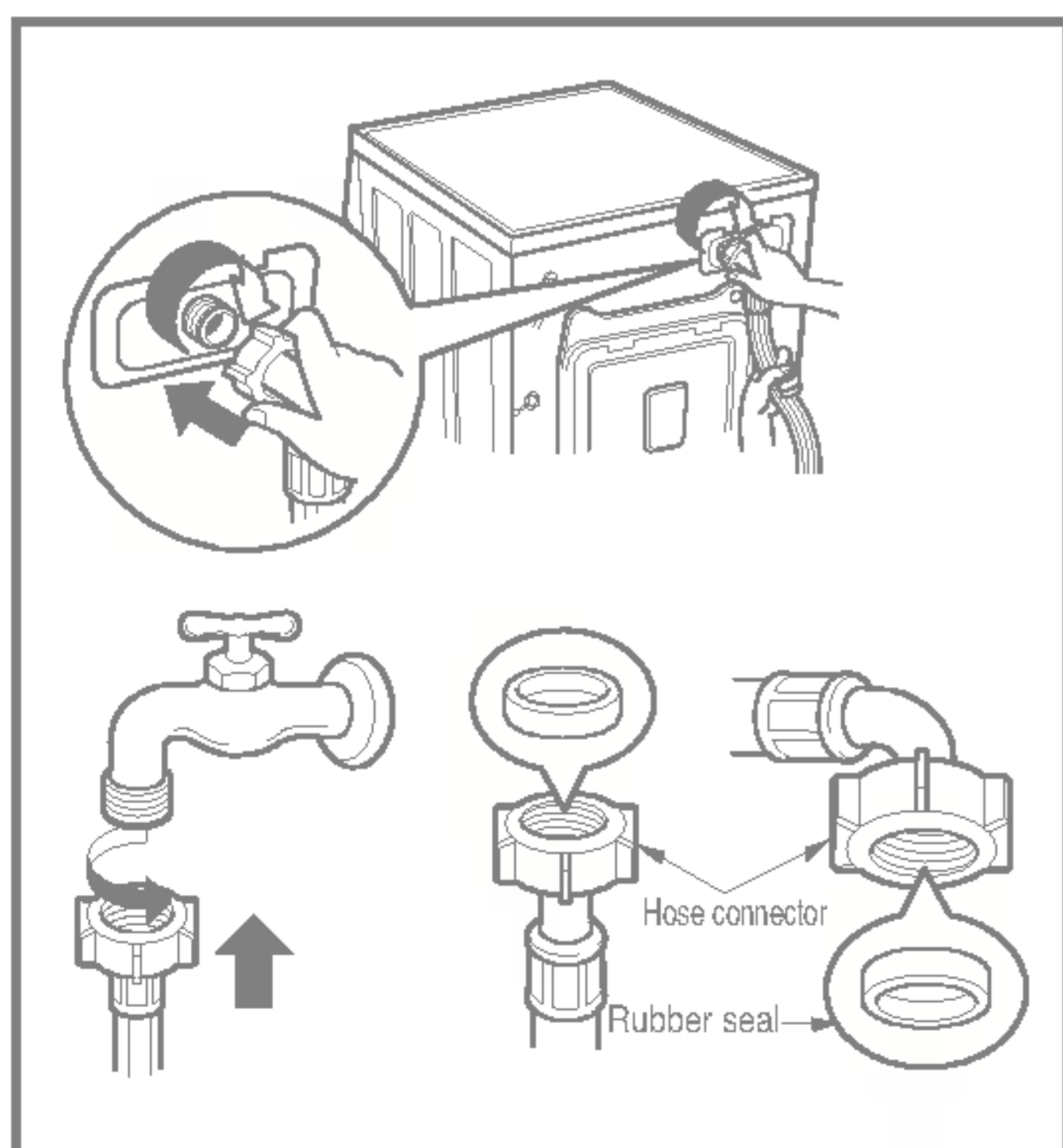
Most appliances recommend they be placed upon a dedicated circuit; that is, a single outlet circuit which powers only that appliance and has no additional outlets or branch circuits. Check the specification page of this owner's manual to be certain.

Do not overload wall outlets. Overloaded wall outlets, loose or damaged wall outlets, extension cords, frayed power cords, or damaged or cracked wire insulation are dangerous. Any of these conditions could result in electric shock or fire. Periodically examine the cord of your appliance, and if its appearance indicates damage or deterioration, unplug it, discontinue use of the appliance, and have the cord replaced with an exact replacement part by an authorized servicer.

Protect the power cord from physical or mechanical abuse, such as being twisted, kinked, pinched, closed in a door, or walked upon. Pay particular attention to plugs, wall outlets, and the point where the cord exits the appliance.

## ■ Washing Machine is to be connected to the water mains using new hose-sets and that old hose-sets should not be used.

### ■ Connecting water supply hose

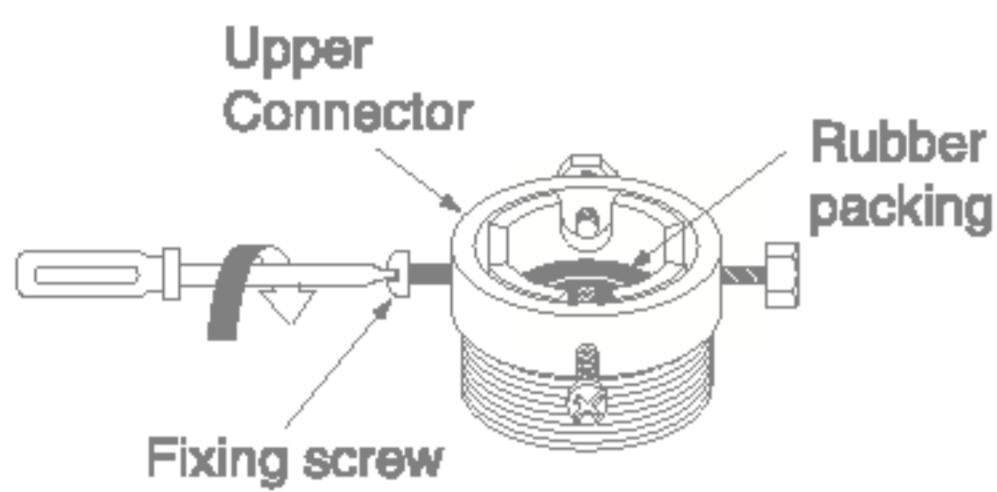


- ▶ *Water supply pressure must be between 30kPa and 1000kPa (0.3~10kgf/cm<sup>2</sup>)*
- ▶ *Don't strip or crossthread when connecting Inlet hose to the valve.*
- ▶ *If the water supply pressure is more than 1000kPa, a decompression device should be installed.*
- Two rubber seals are supplied with the water inlet hoses these are in order to prevent water leaks.
- Check water tightness of washing machine connections by turning the tap completely on.
- Periodically check the condition of the hose and replace the hose if necessary.
- Make sure that there is no kink on the hose and that it is not crushed.

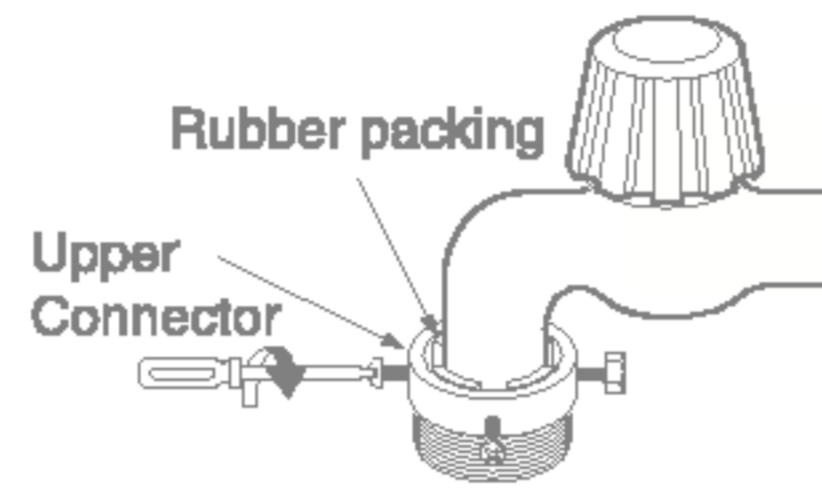


## ■ Normal Tap without thread & screw type inlet hose

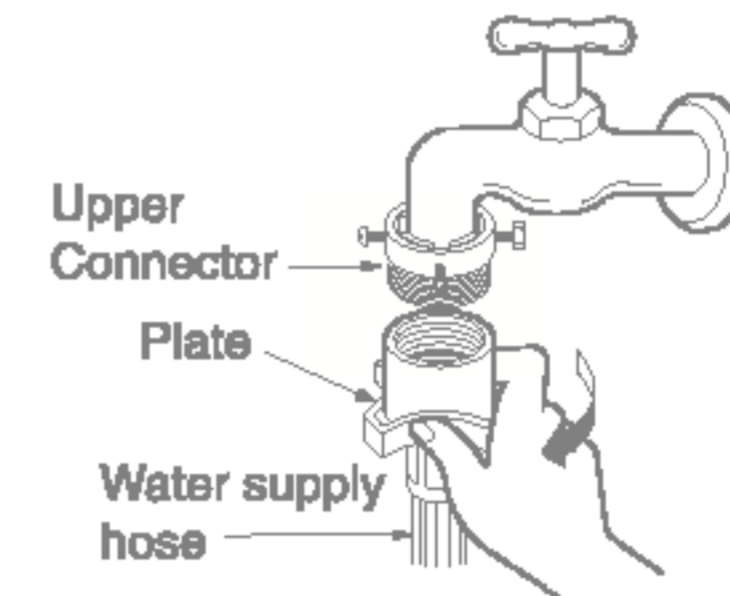
1. Unscrew the fixing screw to attach the tap.



2. Push the connector up till the rubber packing is in tight contact with the tap. Then tighten the 4 screws.

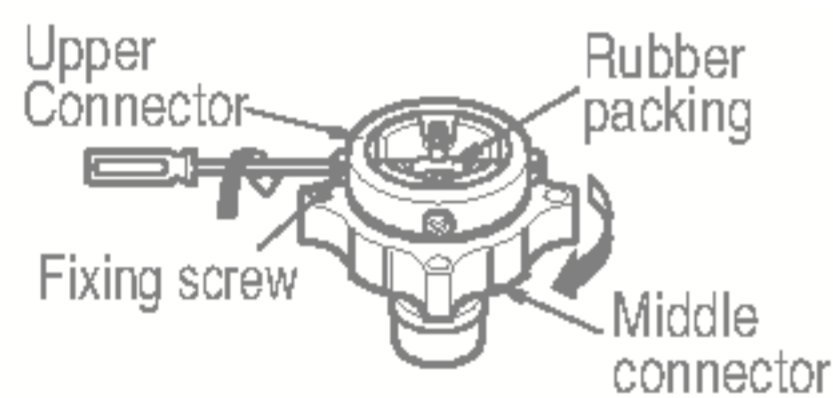


3. Push the water supply hose vertically upwards so that the rubber packing within in the hose can adhere completely to the tap and then tighten it by screwing it to the right.

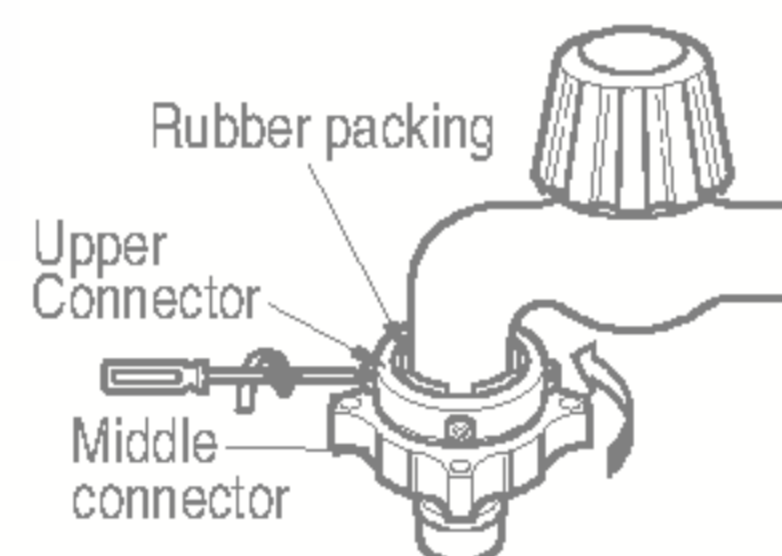


## ■ Normal Tap without thread & one touch type inlet hose (Single inlet models)

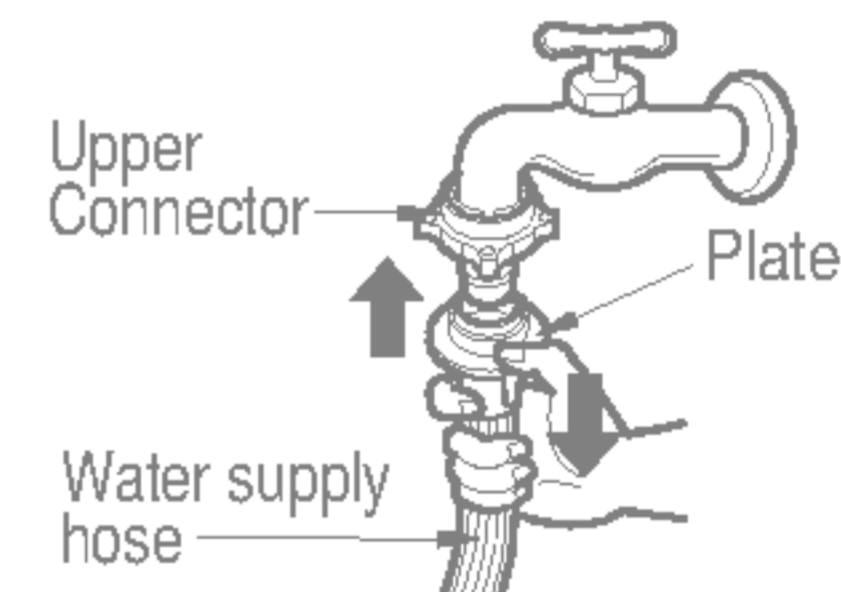
1. Untighten the upper connector screw.



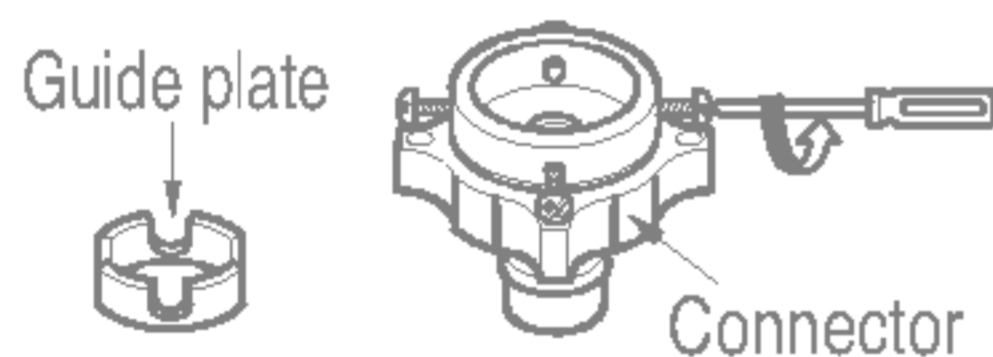
2. Push the upper connector up till the rubber packing is in tight contact with the tap. Then tighten the 4 screws.



3. Connect the water supply hose to the middle connector, pushing the plate down.



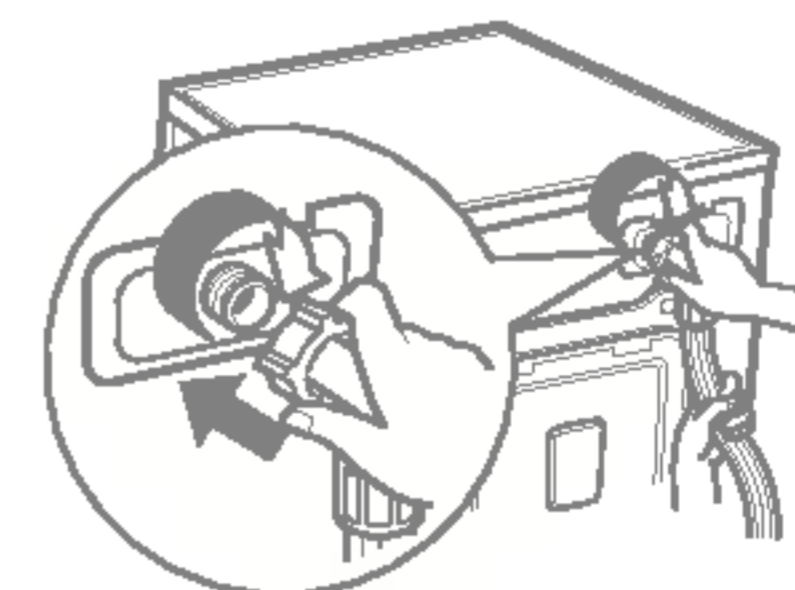
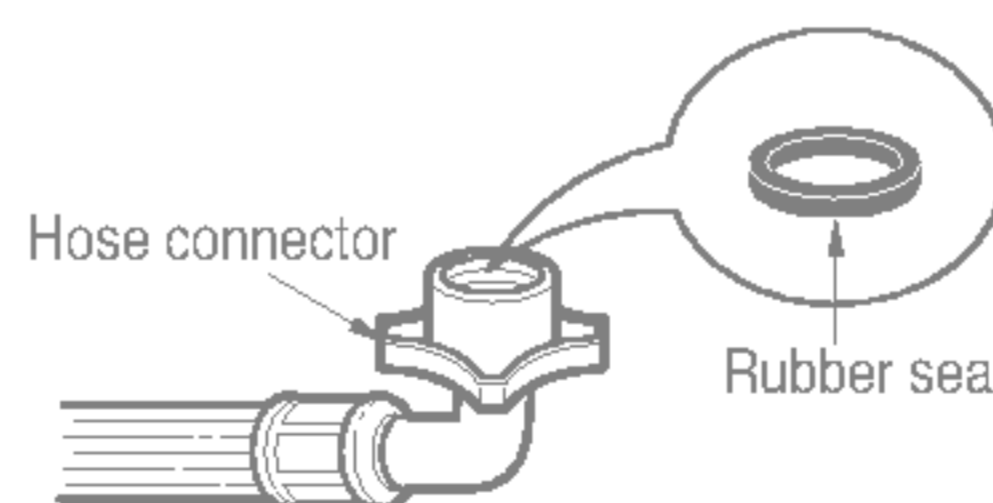
• In case the diameter of the tap is large remove the guide plate.



• Turn the middle connector not to have water leaked.

• Make sure that the rubber seal is inside the hose connector.

• To separate the water supply hose from the middle connector shut off the tap. Then pull the inlet hose down, pushing the plate down.



• Your machine comes with only cold water connection.

• Make sure that there are no kinks in the hose and that it is not crushed.

### Used the horizontal tap

Horizontal tap



Extension tap



Square tap



This equipment is not designed for maritime use or for use mobile installations such as caravans, aircraft etc.

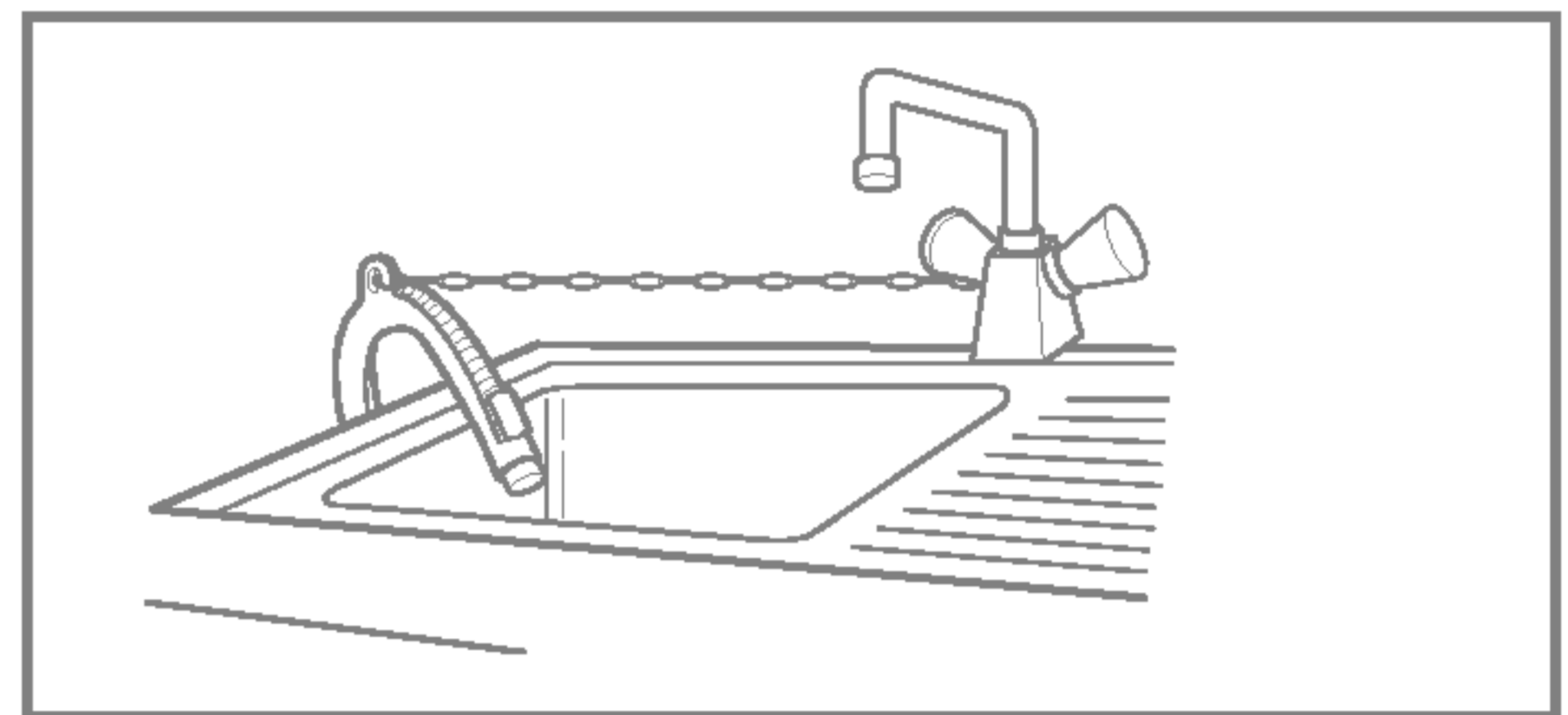
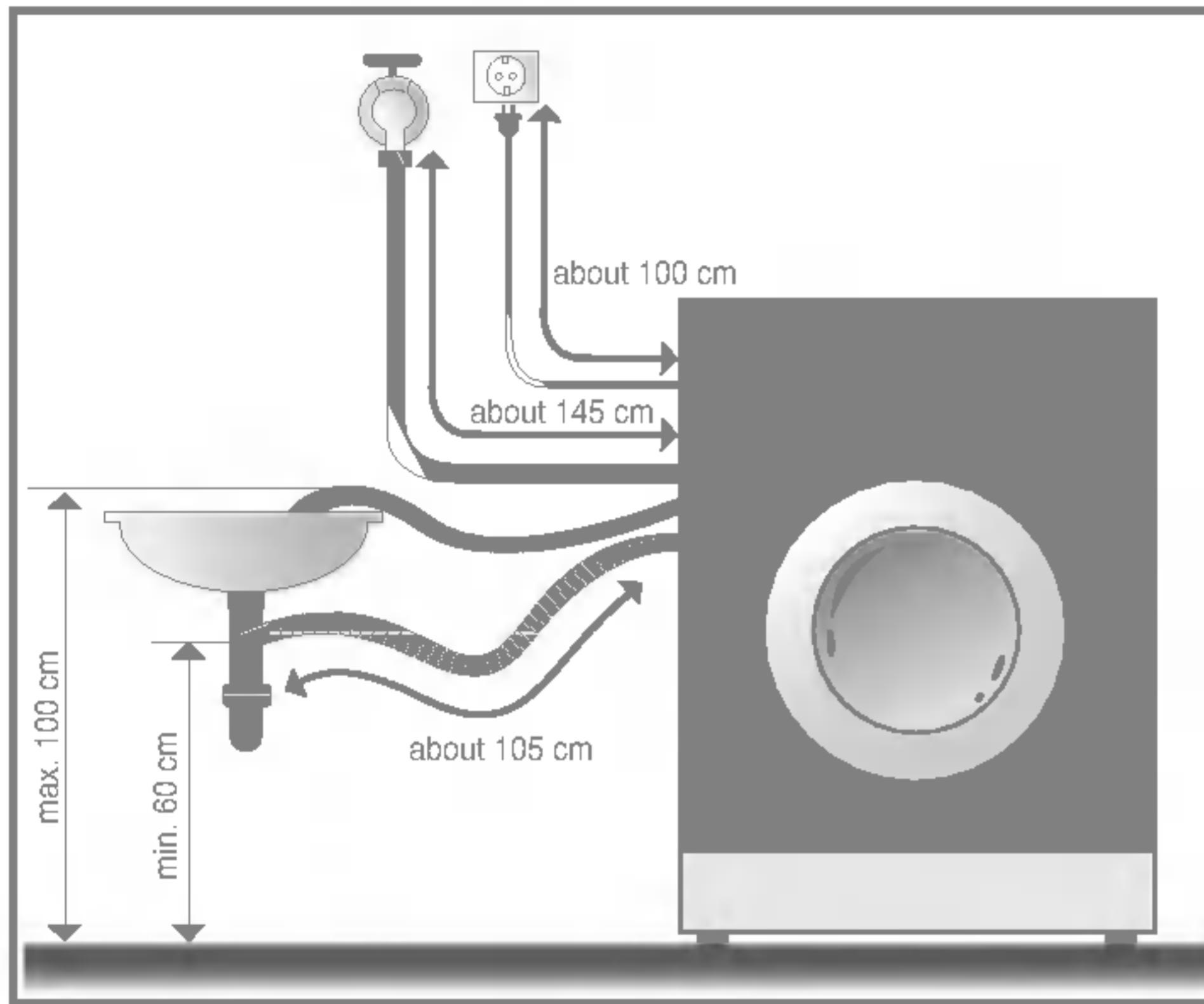
Turn off the stopcock if the machine is to be left for any length of time (e.g. holiday), especially if there is no floor drain(gully) in the immediate vicinity.

When disposing of the appliance, cut off the mains cable, and destroy the plug Disable the door lock to prevent young children being trapped inside.

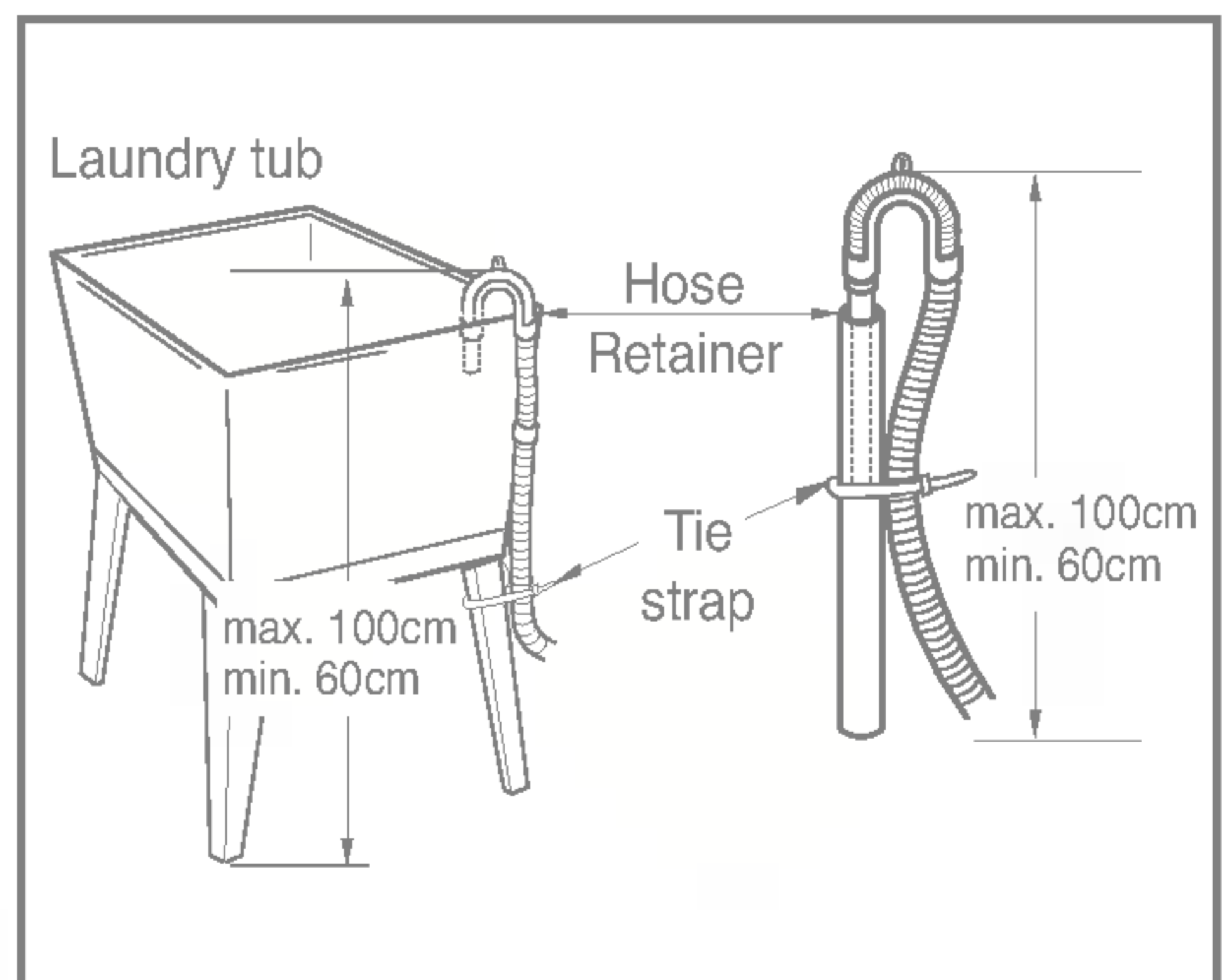
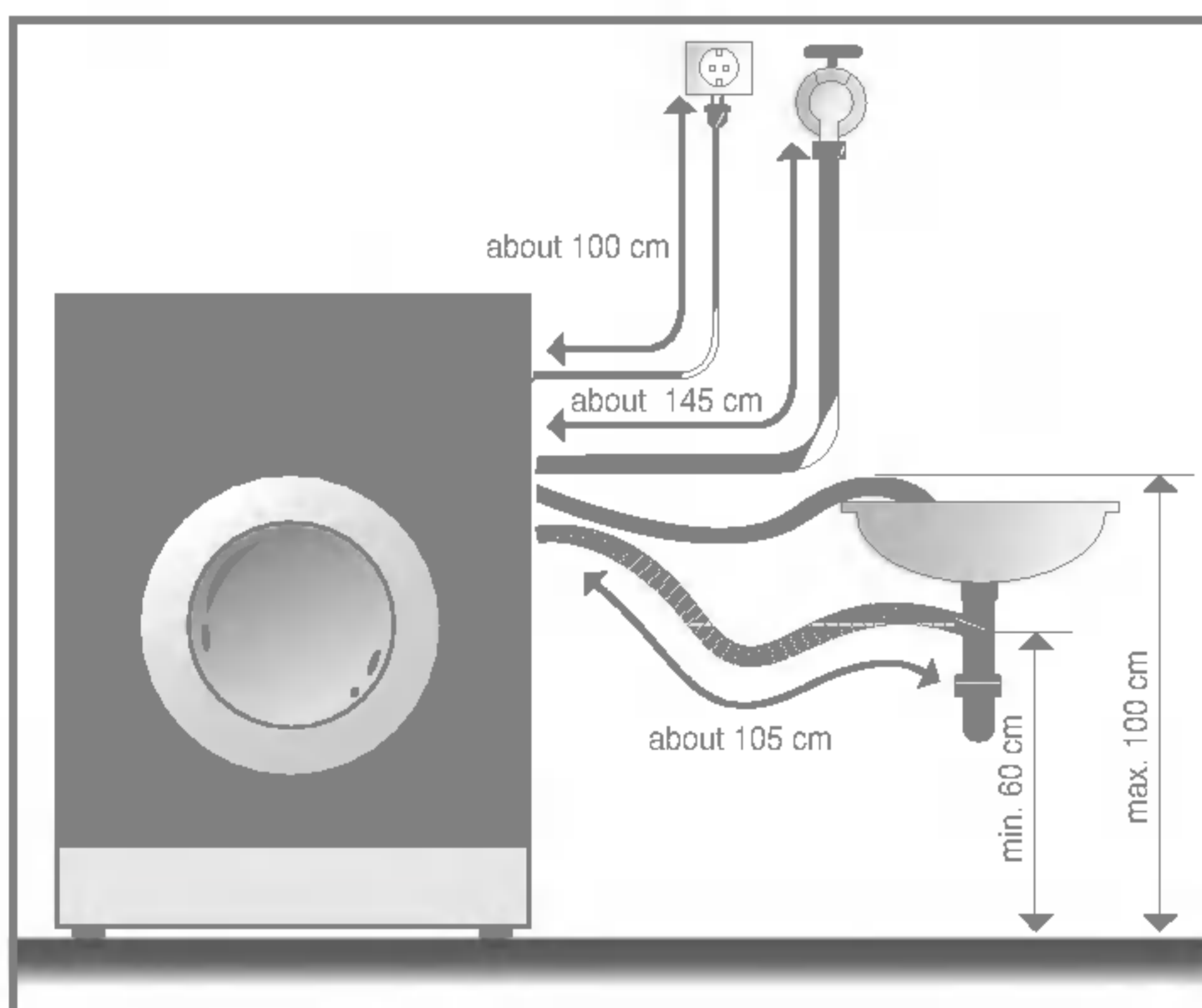
Packaging material (e.g. Films, Styrofoam) can be dangerous for children. There is a risk of suffocation !

Keep all packaging well away from children

## ■ Installation of drain hose

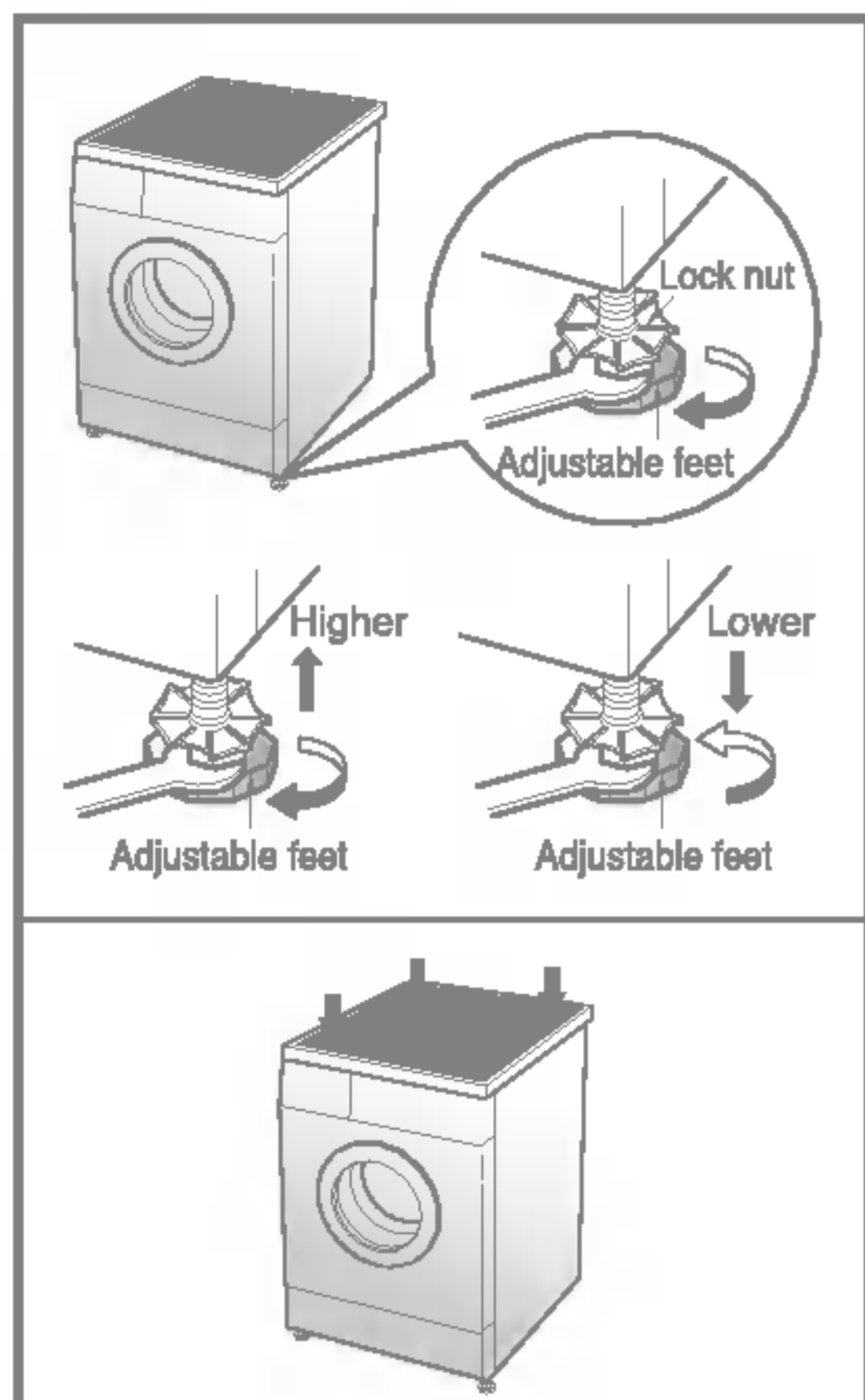
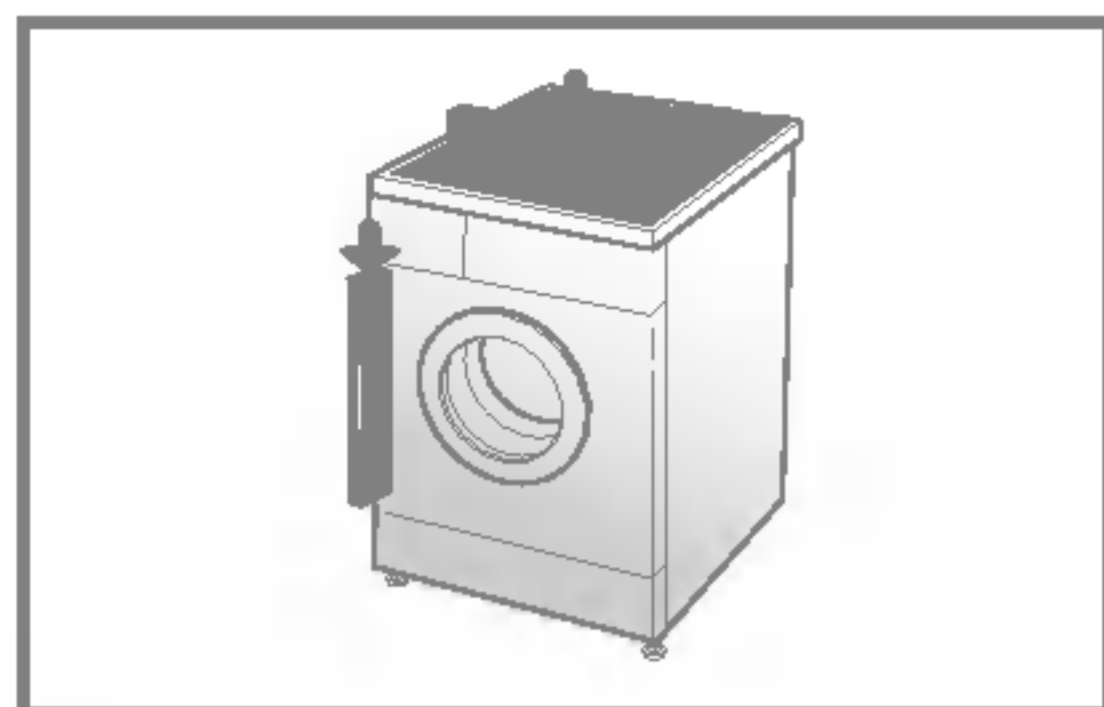


- When installing the drain hose sink, secure it tightly with a string.
- Proper securing of the drain hose will protect the floor from damage due to water leakage.



- The drain hose should not be placed higher than 100 cm above the floor.
- Proper securing of the drain hose will protect the floor from damage due to water leakage.
- When the drain hose is too long, do not force back into the washer. This will cause abnormal noise.

## ■ Level adjustment



1. Adjusting the washing machine level properly prevents excessive noise and vibration.  
Install the appliance on a solid and level floor surface, preferably in a corner of the room.

**NOTE** Timber or suspended type flooring may contribute to excessive vibration and unbalance errors.

2. If the floor is uneven, adjust the adjustable feet as required. (do not insert pieces of wood etc. under the feet)  
Make sure that all four feet are stable and resting on the floor and then check that the appliance is perfectly level. (use a spirit level)

\* *After the washer is level, tighten the lock nuts up towards of the base of the washer. All lock nuts must be tightened.*

**NOTE** In the case that the washing machine is installed on a raised platform, it must be securely fastened in order to eliminate the risk that it might fall off.

### \* *Diagonal Check*

*When pushing down the edges of the washing machine top plate diagonally, the machine should not move up and down at all. (Please, check both of two directions)*

*If machine rocks when pushing the machine top plate diagonally, adjust the feet again.*

## ■ Concrete floors

- The installation surface must be clean, dry and level.
- Install washer on a flat hard floor.

## ■ Tile floors (Slippery floors)

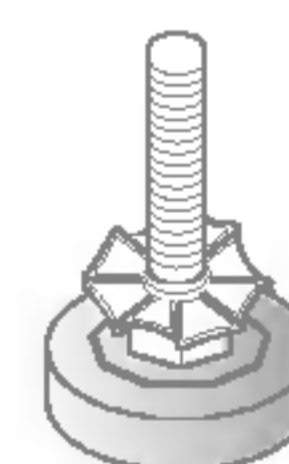
- Position each foot on the Tread Mate and level the machine to suit. (Cut Tread Mate into 70x70 mm sections and stick the pieces on to the dry tile where machine is to be placed.)

\* *Tread Mate is a self adhesive material used on ladders & steps that prevents slipping.*

## ■ Wooden floors (Suspended floors)

- Wooden floors are particularly susceptible to vibration.
- To prevent vibration we recommend you place rubber cups under each foot, at least 15mm thick under the washer, secured to at least 2 floor beams with screws.
- If possible install the washer in one of the corners of the room, where the floor is more stable.

Rubber Cup



\* *Insert the rubber cups to reduce vibration.*

\* *You can obtain the rubber cups (p/no.4620ER4002B) from the LG spares dept.*

- Proper placement and levelling of the washer ensure long, regular and reliable operation.
- The washer must be absolutely horizontal and stand firmly in position.
- It must not "Seesaw" across corners under load.
- The installation surface must be clean, free from floor wax and other lubricant coatings.
- Do not let the feet of the washer get wet. If feet of the washer get wet, slipping may occur.

## ■ Before the first washing

Select a cycle (COTTON 60°C, add a half load of detergent) allow the unit to wash without clothing.

This will remove residues from the drum that may have been left during manufacturing.

## ■ Caring before washing

### 1. Care Labels

Look for a care label on your clothes. This will tell you about the fabric content of your garment and how it should be washed.

### 2. Sorting

To get the best results, Sort clothes into loads that can be washed with the same wash cycle. Water temperature and spin speed and different fabrics need to be washed in different ways. Always sort dark colors from pale colors and whites. Wash separately as dye and lint transfer can occur causing discoloration of white etc. If possible, do not wash heavily soiled items with lightly soiled one.

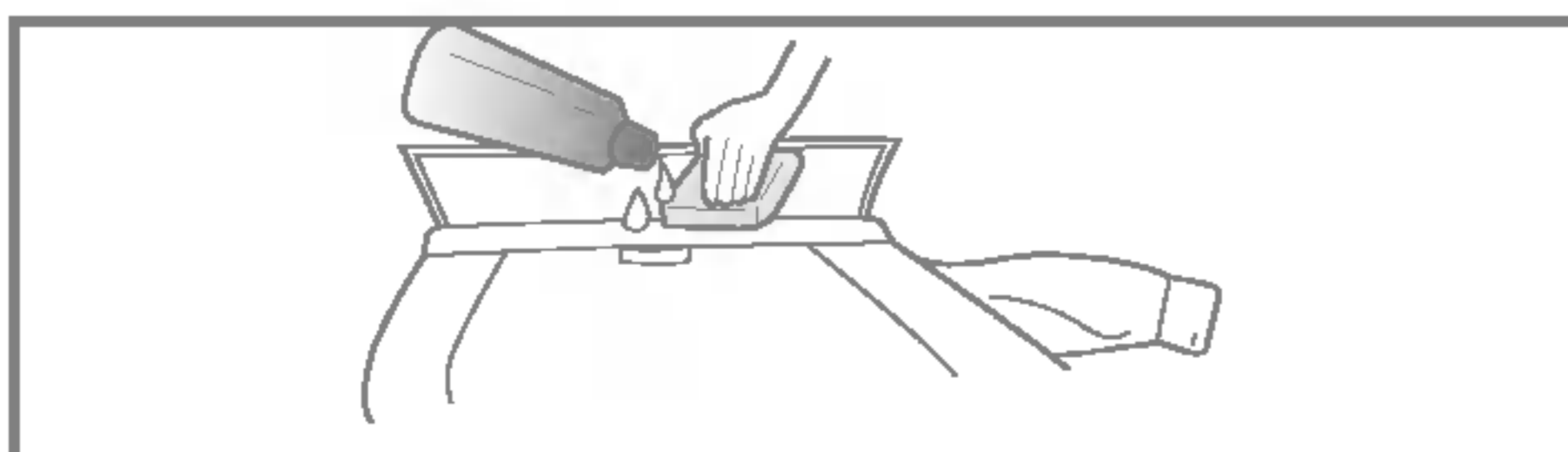
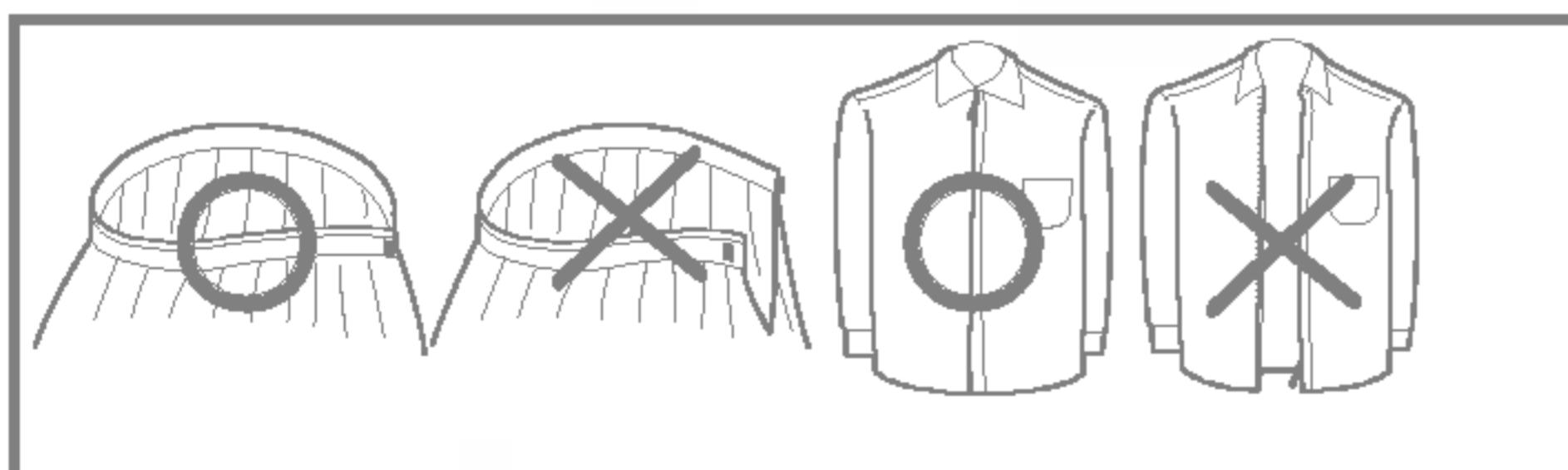
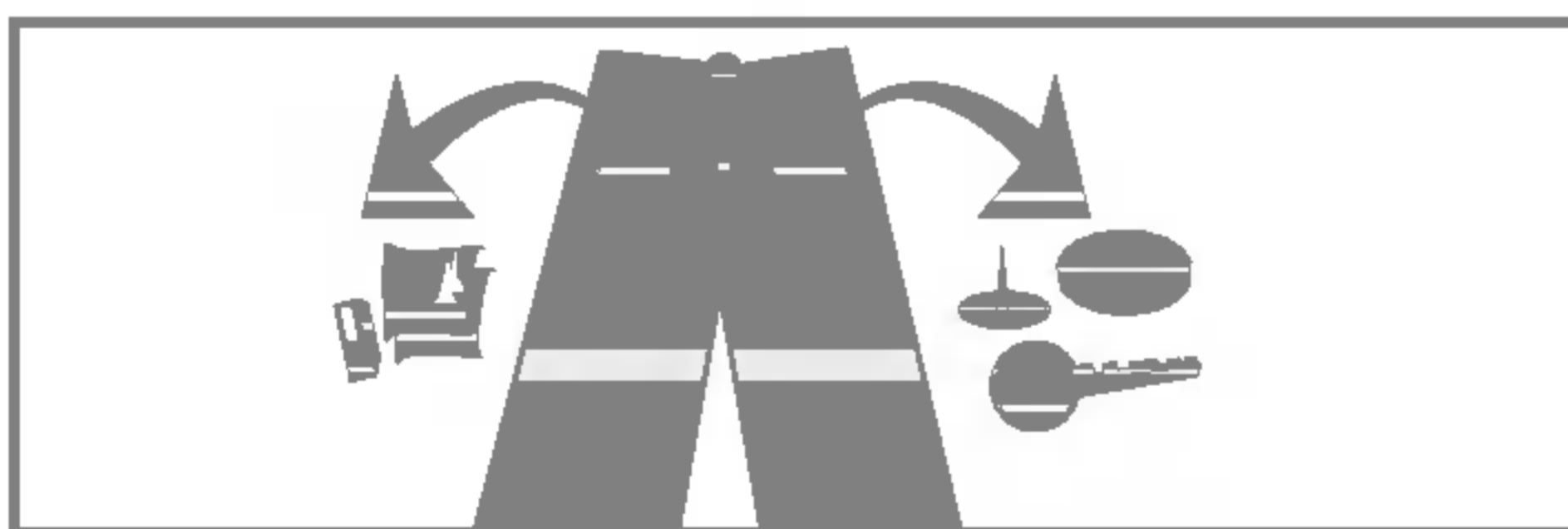
Soil (Heavy, Normal, Light)  
Color (White, Lights, Darks)  
Lint (Lint producers, Collectors)

Separate clothes according to amount of soil.  
Separate white fabrics from colored fabrics.  
Wash lint producers and lint collectors separately.

### 3. Caring before loading

■ **Combine large and small items in a load. Load large items first. Large items should not be more than half the total wash load.**

**Do not wash single items. This may cause an out-of-balance load. Add one or two similar items.**



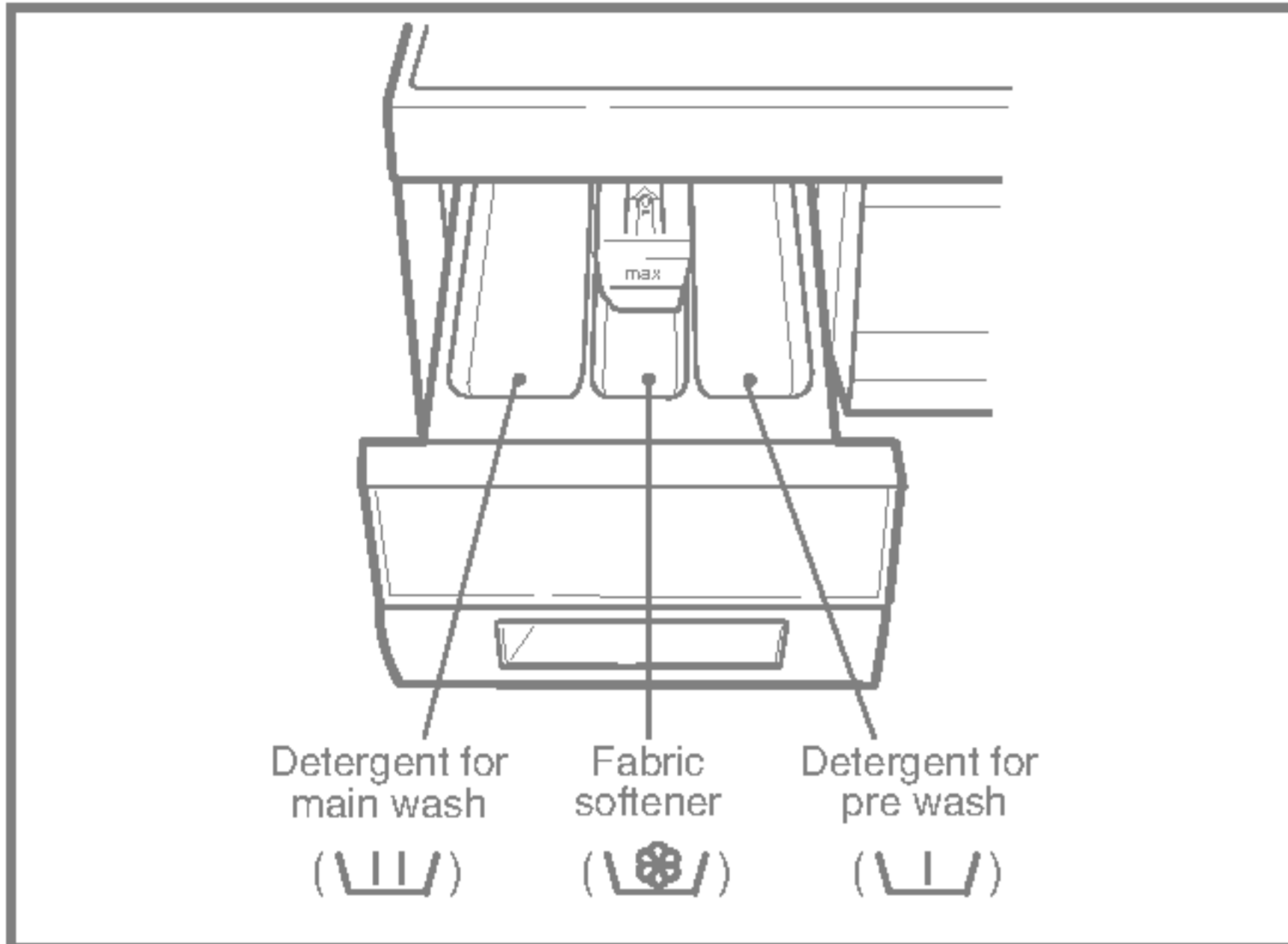
- Check all pockets to make sure that they are empty. Items such as nails, hair clip, matches, pens, coins and keys can damage both your washer and your clothes.

- Close zippers, hooks and strings to make sure that these items don't snag on other clothes.

- Pre treat dirt and stains by brushing a little detergent dissolved in water onto stains like collars and cuffs to help shift dirt.

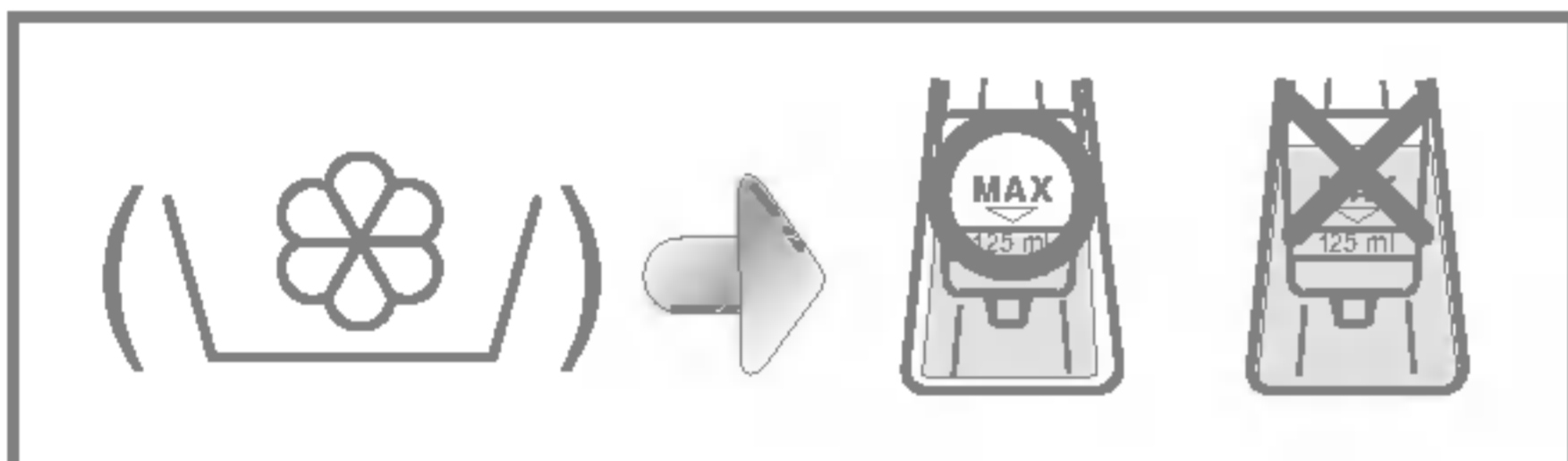
## ■ Adding detergent and fabric softener

### 1. The Dispenser Drawer



- Main wash only U 
- Pre Wash + Main Wash U  • 

### 2. Adding Fabric Softener



- Do not exceed the maximum fill line. Overfilling can cause early dispensing of the fabric softener which could stain clothes.
- Do not leave the fabric softener in the detergent drawer for more than 2 days. (Fabric softener could harden)
- Softener will automatically be added during the last rinse cycle.
- Do not open the drawer when water is supplied.
- Solvents (benzene, etc) are not allowable.

**NOTE** Do not pour fabric softener directly on the clothes

### 3. Detergent dosage

- The detergent should be used according to the instruction of the detergent manufacture.
- If too much detergent is used more than the recommended amount, too many suds can occur and this will decrease the washing result or cause heavy load to the motor. (Causing a malfunction)
- Use powder detergent only for the front loading washer.
- Detergent usage may need to be adjusted for water temperature, water hardness, size and soil level of the load. For best results, avoid oversudsing.

#### \* Tips

**Full load : according to manufacturer's recommendation.**  
**Part load : 3/4 of the normal amount.**  
**Minimum load : 1/2 of full load.**

- Detergent is flushed from the dispenser at the beginning of the cycle.

## ■ Recommended courses according to the laundry type

Program	Fabric Type	Proper Temp.	Option	Maximum Load	Time in Minutes
Cotton (☼)	Color fast garments (shirts, night dresses, pajamas...) and lightly soiled white cotton (underwear...)	60°C [30°C, 40°C, 95°C]	Medic Care Rinse(☼) Intensive(☼) Rinse+(☼+) Pre Wash(☼) Crease Care(☼)	7.0 kg	100
Eco (☉)	Laundry type is the same in Cotton	60°C		7.0 kg	115
Synthetic (△)	Polyamide, Acrylic, Polyester	40°C [30°C, 60°C]		Less than 4.0 kg	70
Delicate (☼)	Delicate laundry easily damaged	30°C [Cold(*), 40°C]	Intensive(☼) Rinse+(☼+) Crease Care(☼)	Less than 3.0 kg	55
Hand Wash/ Wool (☼/☼)	"Hand Wash" marked delicate and wool laundry	Cold(*) [30°C, 40°C]		Less than 3.0 kg	50
Quick 30 (☼)	Colored Laundry which is lightly soiled fast.	30°C	Medic Care Rinse(☼) Intensive(☼) Rinse+(☼+) Crease Care(☼)	Less than 2.0 kg	30
Baby Care (☼)	Laundry for infant	95°C (60°C)		Less than 6.0 kg	140

\* Eco : By selecting Eco function, the water temperature is reduced and washing time is lengthened.

So you can economize in your consumption of heating energy.

\* Medic Care Rinse : For high effectiveness or more purity in rinse operation you can choose Medic Care Rinse option.

\* Intensive : When washing heavily soiled laundry you can increase effectiveness by choosing "Intensive" option.

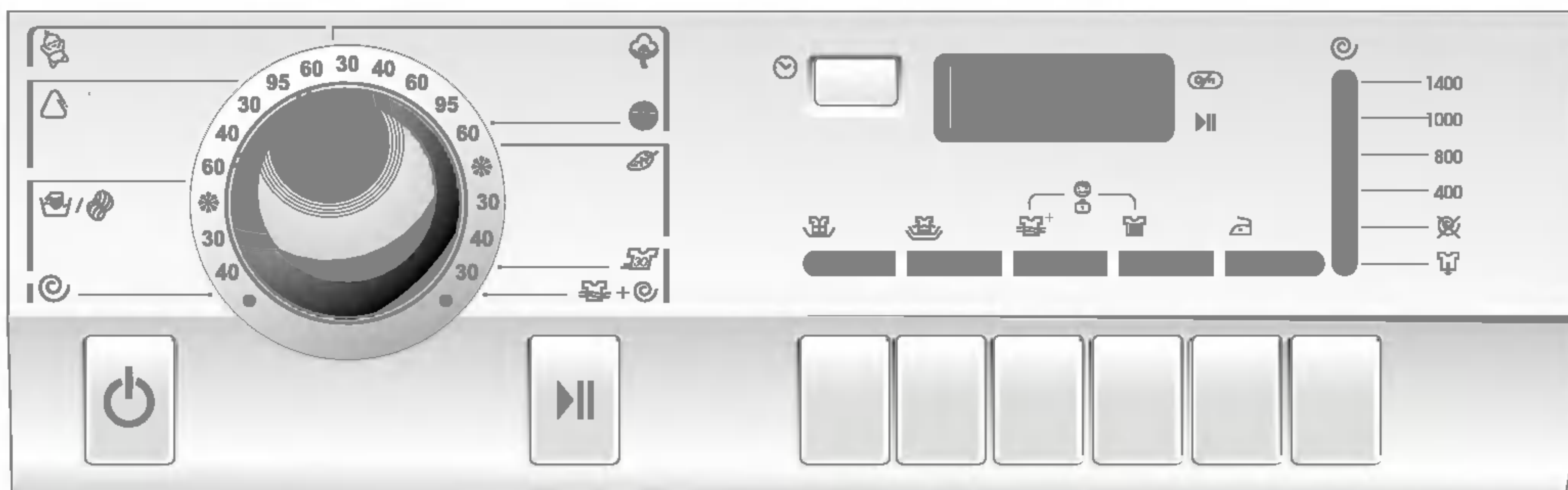
\* Program setting with "Intensive" option for test in accordance or in conformity with EN60456 and IEC60456.

\* Pre Wash : If the laundry is heavily soiled, "Pre Wash" course is recommended. Pre Wash is available in Cotton, Eco and Synthetic Program.

\* Rinse+: Used to introduce an additional rinse, which may assist in removing traces of detergent residue.

\* Crease Care : If you want to prevent crease, select Crease Care option.

# How to use washer

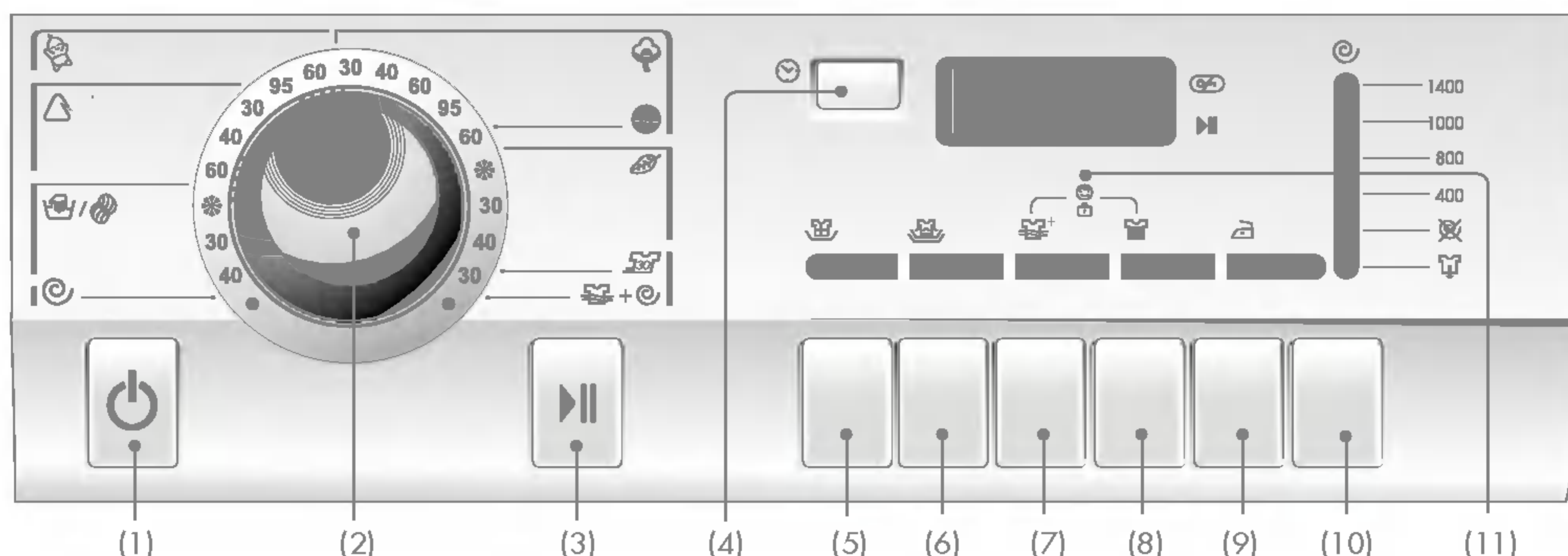


## 1. Cotton automatically selected upon power on.

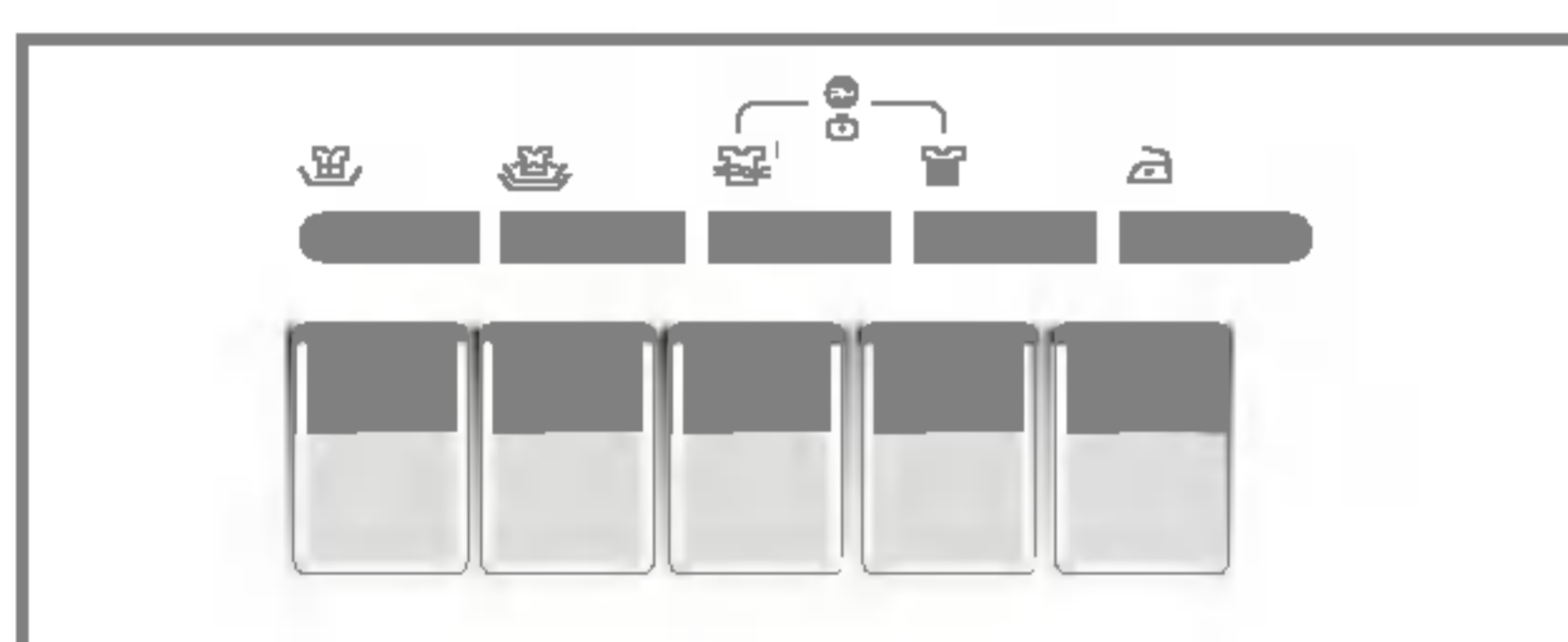
- Press the **Power**(⏻) button to start.
- Press the **Start/Pause**(▶||) button.
- Initial condition
  - *Wash : main wash*
  - *Rinse : 3 times*
  - *Spin :*
    - 1400 rpm [WD-14230(5)TB]*
    - 1200 rpm [WD-12230(5)TB]*
    - 1000 rpm [WD-10230(5)TB]*
  - *Water temperature : 60°C*
  - *Program : Cotton (🌿)*

## 2. Manual Selecting

- Press the **Power**(⏻) button to start.
  - Select the conditions which you want to use, by turning the program dial and pressing each button.
- For selecting the each conditions, please refer to the page15~page20*
- Press the **Start/Pause**(▶||) button.



- |                          |                               |                          |
|--------------------------|-------------------------------|--------------------------|
| (1) Button : Power       | (5) Button : Medic Care Rinse | (9) Button : Crease Care |
| (2) Dial : Program       | (6) Button : Intensive        | (10) Button : Spin       |
| (3) Button : Start/Pause | (7) Button : Rinse+           | (11) Child Lock          |
| (4) Button : Time Delay  | (8) Button : Pre Wash         |                          |



• By pressing the Option button, all Option functions may be selected.

- Medic Care Rinse (  )
- Intensive (  )
- Rinse+ (  )
- Pre Wash (  )
- Crease Care (  )

### 1. Medic Care Rinse ( )

- For high effectiveness or more purity in rinse operation you can choose Medic Care Rinse option.
- If can be chosen in all course with the exception of Delicate and Hand Wash/Wool.

### 2. Intensive ( )

- If the laundry is heavily soiled “Intensive” option is effective.
- By selecting the Intensive option, the wash time may be extended, depending on the program selected.

### 3. Rinse+ ( )

- Used to additional rinse, which may assist in removing traces of detergent residue.
- By selecting Rinse+ function, the rinse time and the rinse water are increased.

### 4. Pre Wash ( )

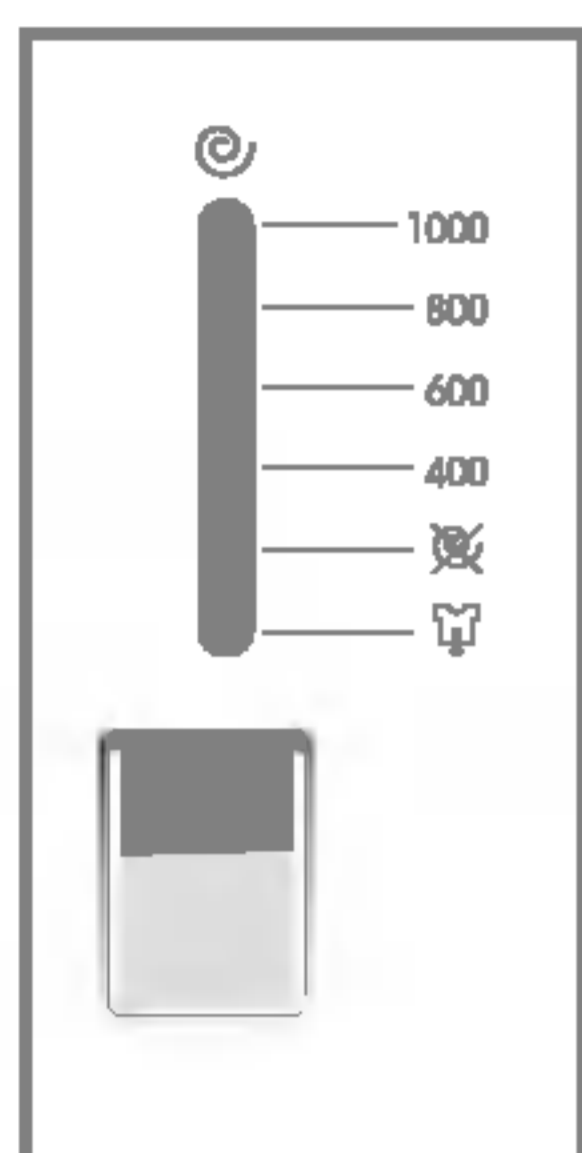
- If the laundry is heavily soiled, “Pre Wash” course is effective.
- Pre Wash is available in Cotton, Eco and Synthetic.

### 5. Crease Care ( )

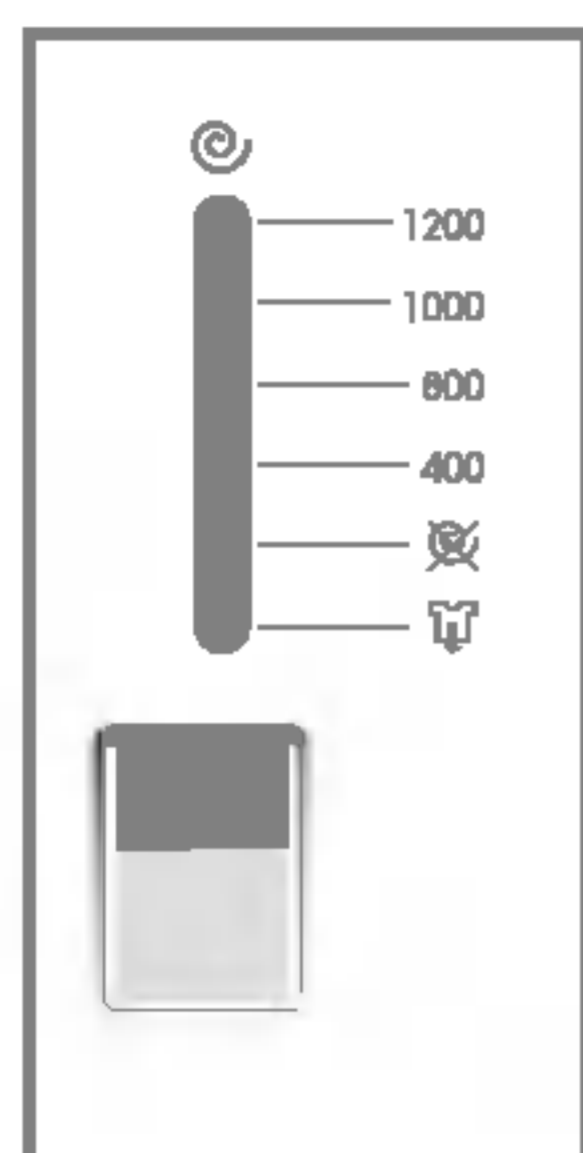
- If you want to prevent crease, select this button with spin speed.

*The required lamp will light up for identification.*

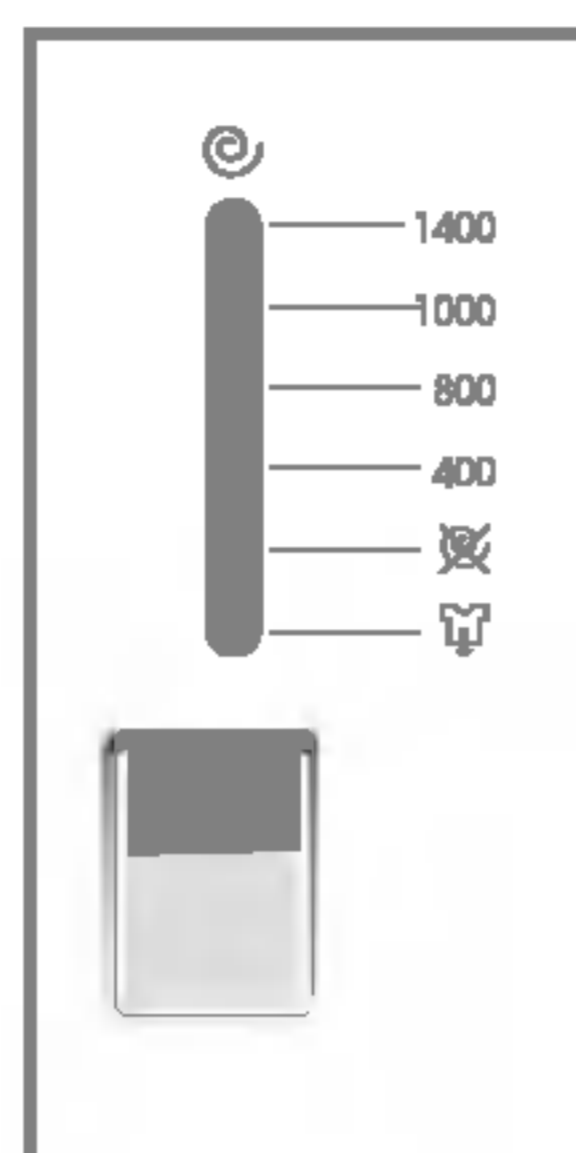




[WD-10230(5)TB]



[WD-12230(5)TB]













[WD-14230(5)TB]

- By pressing the Spin button, the spin speed can be chosen.

## 1. Spin selection

- Spin Speed is available according to the program as follows.

- **WD-10230(5)TB**

- Cotton( ) , Eco( ) , Spin( ) , Rinse+Spin(  + ) , Synthetic( ) , Quick 30( ) , Hand Wash/Wool(  / ) , Baby Care( )

 -  - 400 - 600 - 800 - 1000

- Delicate( )

 -  - 400 - 600 - 800

- **WD-12230(5)TB**

- Cotton( ) , Eco( ) , Spin( ) , Quick 30( ) , Rinse+Spin(  + )

 -  - 400 - 800 - 1000 - 1200

- Synthetic( ) , Hand Wash/ Wool(  / ) , Baby Care( )

 -  - 400 - 800 - 1000

- Delicate( )

 -  - 400 - 800

- **WD-14230(5)TB**

- Cotton( ) , Eco( ) , Spin( ) , Quick 30( ) , Rinse+Spin(  + )

 -  - 400 - 800 - 1000 - 1400

- Synthetic( ) , Hand Wash/ Wool(  / ) , Baby Care( )

 -  - 400 - 800 - 1000


- Delicate( )

 -  - 400 - 800

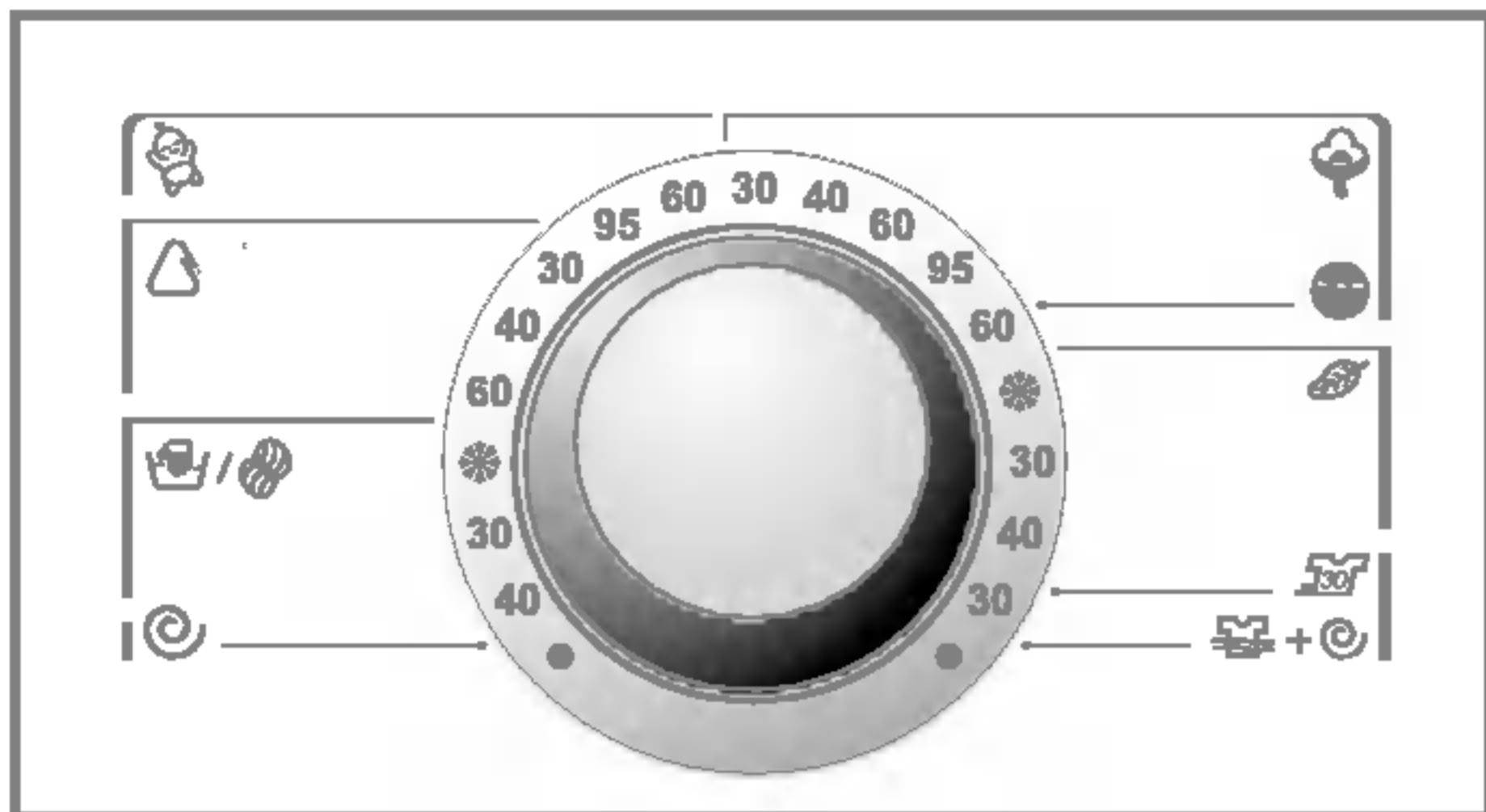
## 2. No Spin ( )

- If no spin is selected, the washer stops after draining water.

## 3. Rinse Hold ( )

- Is selected by pressing the spin button repeatedly this function leaves clothes in the machine; suspended in the water after a rinse without entering into spin.
- To proceed through to a drain or spin, once the rinse hold function is completed using to program dial scroll to the required program.  
[Spin(  )]

*The required lamp will light up for identification.*



- By turning the Program Dial, the water temperature can be selected.

- Cold

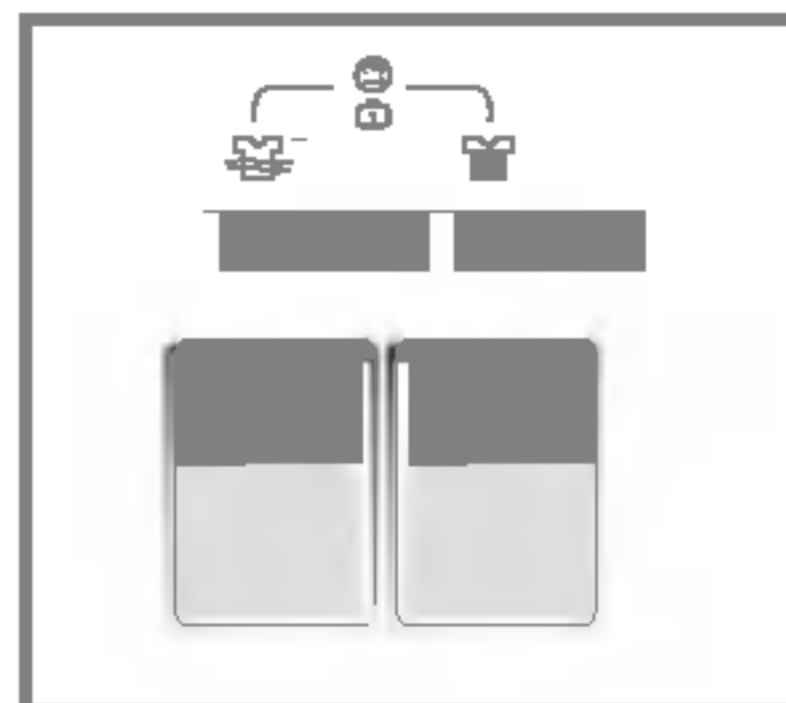
- 30°C / 40°C / 60°C / 95°C

## 1. Water Temperature

- Water temperature can be selected according to the program.

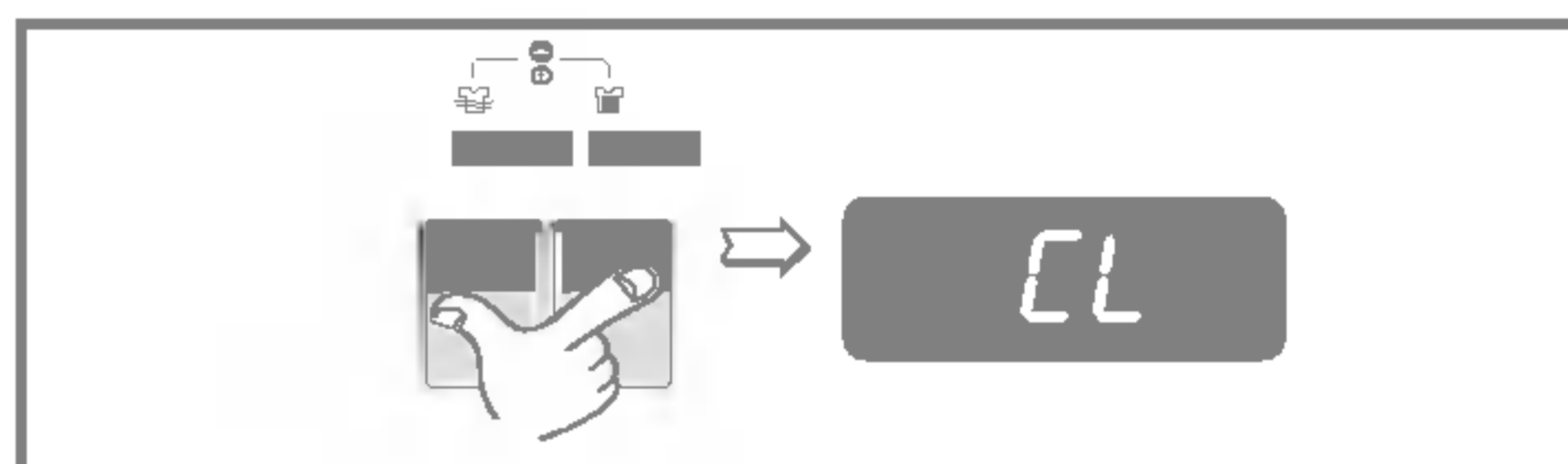
*The required temperature lamp will light up for identification.*

*For the more detailed information, please refer to the page 13.*

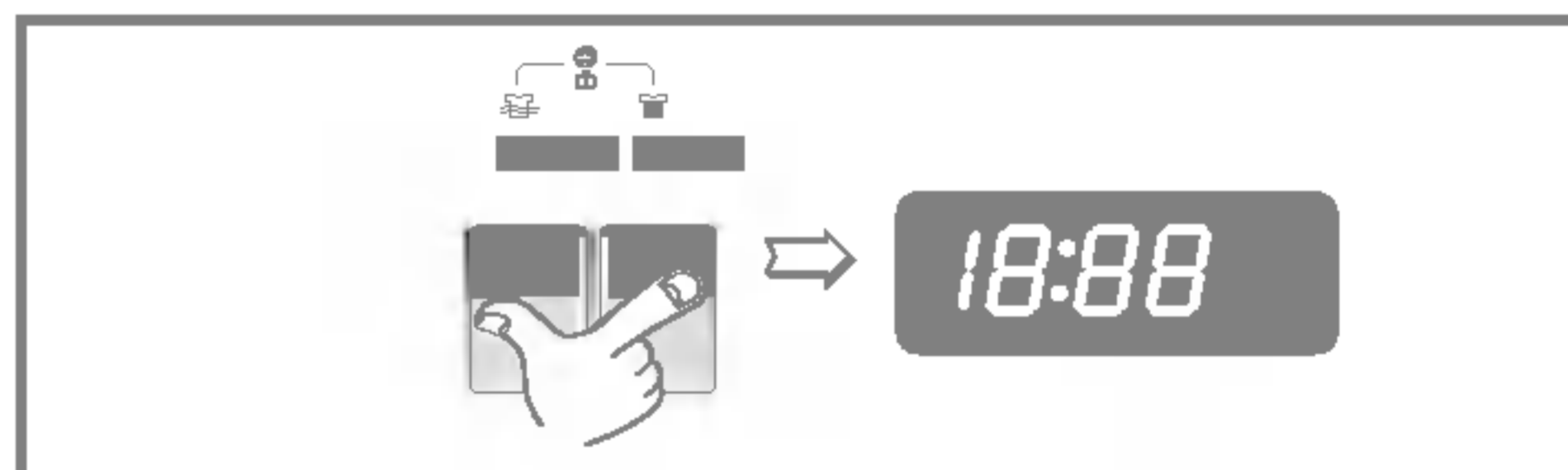


If you choose to lock the buttons on the control assembly to prevent tampering this function may be selected.

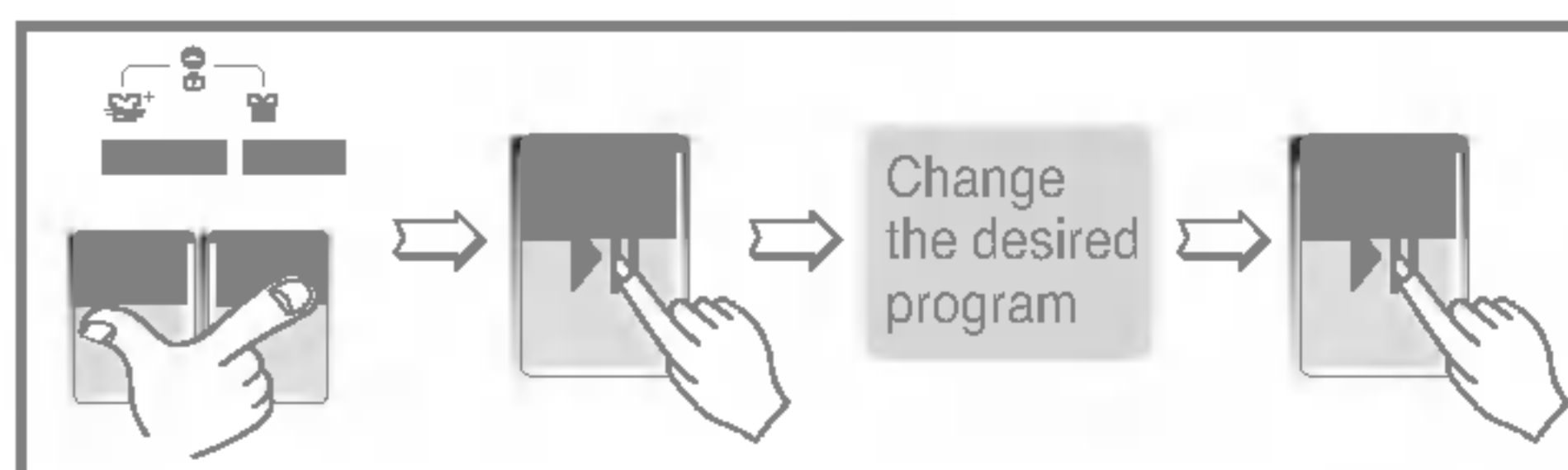
- Child Lock can be set by pressing the **Rinse+** (☃<sup>+</sup>) button and **Pre Wash** (🪣) button simultaneously. (About three seconds)



- When child lock is set, all buttons are inoperable except power button.
- To deactivate Child Lock system, press **Rinse+** (☃<sup>+</sup>) and **Pre Wash** (🪣) button simultaneously again. (About three seconds)



- To change to the desired program, whilst in child lock mode.
1. Press both **Rinse+** (☃<sup>+</sup>) and **Pre Wash** (🪣) together once again. (About three seconds)
  2. Press the **Start/Pause** button.
  3. Select the desired program and press the **Start/Pause** button again.



- The child lock can be set at any time and it is automatically canceled when operational errors occur. Also *Child Lock* works when power is off.

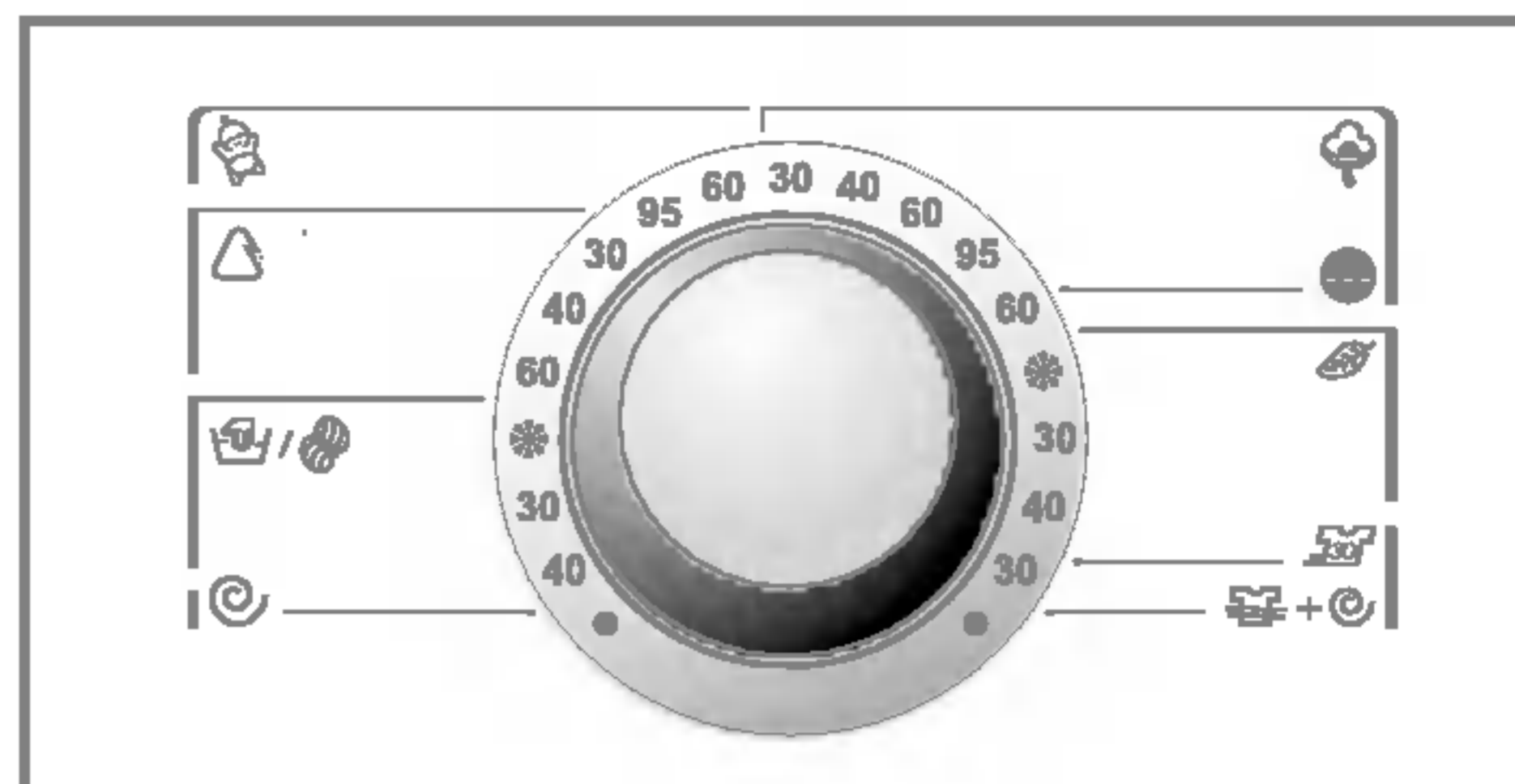
# How to use washer



## 1. Time Delay (🕒)

### *Preparing washing before starting “Time Delay”*

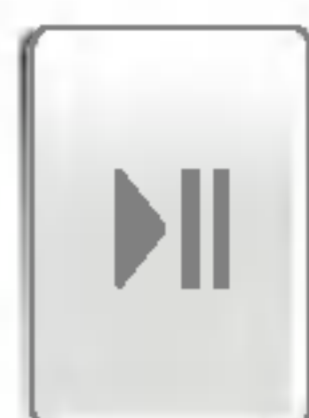
- Turn on the water tap.
  - Load laundry and close the door.
  - Place the detergent and fabric softener in the drawer.
- How to set “**Time Delay**”
    - Press **Power** button.
    - Turn the **Program** dial to select the program you require.
    - Press **Time Delay** button and set the desired time.
    - Press the **Start/Pause** button. (“:” blinks.)
  - If **Time Delay** button is pressed, “3:00” is displayed. The maximum delayed time is 19:00 hours and the minimum time is 3:00 hours.
  - Each pressing of the button advances on time delay by one hour.
  - To cancel the time delay, press the **Power** (🔌) button.
  - **Time Delay** is ‘expected time’ from the present to the completion of washing cycle or selected process (Wash, Rinse, Spin).
  - *According to the condition of water supply and temperature, the delayed time and the actual washing time may vary.*



- 9 programs are available according to the laundry type.
- Lamp will light up to indicate selected program.
- When **Start/Pause** button is pressed, the Cotton program is automatically selected.
- By turning the Program dial, the program is selected in order of “Cotton(🌿) – Eco(🕒) – Delicate(🍃) – Quick 30(🕒) – Rinse+Spin(🔄+🕒) – Spin(🌀) – Hand Wash/Wool(🧺/🧶) – Synthetic(🗑️) – Baby Care(👶)”.

*Regarding to the laundry type for each program  
Please refer to the page13.*

# How to use washer



## 1. Start

- This **Start/Pause** button is used to start wash cycle or pause the wash cycle.

## 2. Pause

- If temporary stop of wash cycle is needed, press the **Start/Pause** button.
- When in Pause, the power is turned off automatically after 4 minutes.
- **NB.** The door will not open before 1 to 2 minutes when Pause is selected, or at the end of the wash cycle.



- Lights whenever the door of the washer is locked.
- The door can be unlocked by pressing the Start/Pause button to stop the washer.
- The door can be opened after a short delay.



## 1. Power

- Press the Power button to turn power on and off
- To cancel the Time Delay function, if the power button should be pressed.

## 2. Initial Program

- When the Power button is pressed, the washer is ready for Cotton program. And the other initial conditions as follows.
- So, if you want to advance into the washing cycle without changing the program, just press the **Start/Pause** button and then the washer will proceed.

### *Initial program*

*[WD-10230(5)TB]*

*- Cotton Program / Main wash /  
Normal Rinse / 1000 rpm / 60°C*

*[WD-12230(5)TB]*

*- Cotton Program / Main wash /  
Normal Rinse / 1200 rpm / 60°C*

*[WD-14230(5)TB]*

*- Cotton Program / Main wash /  
Normal Rinse / 1400 rpm / 60°C*

# How to use washer



## 1. Special function display

- When child lock is selected, the “**CL**” is displayed.
- When time delay is selected, it shows the remaining times to finish the selected program.

## 2. Self diagnosis display

- If the machine encounters a fault during operation, the associated fault will be displayed.

“**PE**” : Water pressure sensing error

“**FE**” : Problem of overfilling water

“**dE**” : Door is not closed

“**LE**” : Over load in motor.

“**LE**” : Over load in motor.

“**IE**” : Water inlet trouble

“**DE**” : Drainage trouble

“**UE**” : Unbalanced load


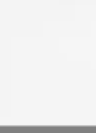







“**EE**” : Water temperature trouble

*If these error letters are displayed, please refer to the troubleshooting page 24 and follow the guide.*

## 3. Completion of washing

- When washing cycle is completed, “**End**” is displayed on the “*Multi display*”.

## 4. Time left

- During washing cycle, the remaining washing time is displayed.
- Recommended program by manufacturer.
  - Cotton(  ) : around 1 hour and 40 minutes
  - Eco(  ) : around 1 hour and 55 minutes
  - Synthetic(  ) : around 1 hour and 10 minutes
  - Delicate(  ) : around 55 minutes
  - Baby Care(  ) : around 2 hours and 20 minutes
  - Hand Wash / Wool(  ) : around 50 minutes
  - Quick 30(  ) : around 30 minutes
  - Rinse+Spin(  ) : around 18 minutes
  - Spin(  ) : around 13 minutes
- The washing time may vary by the amount of laundry, water pressure, water temperature and other washing conditions.
- If an unbalanced load is detected or if the suds removing program operates, the wash time may be extended.

\* Before cleaning the washer interior, unplug the electrical power cord to avoid electrical shock to avoid electrical shock hazards.

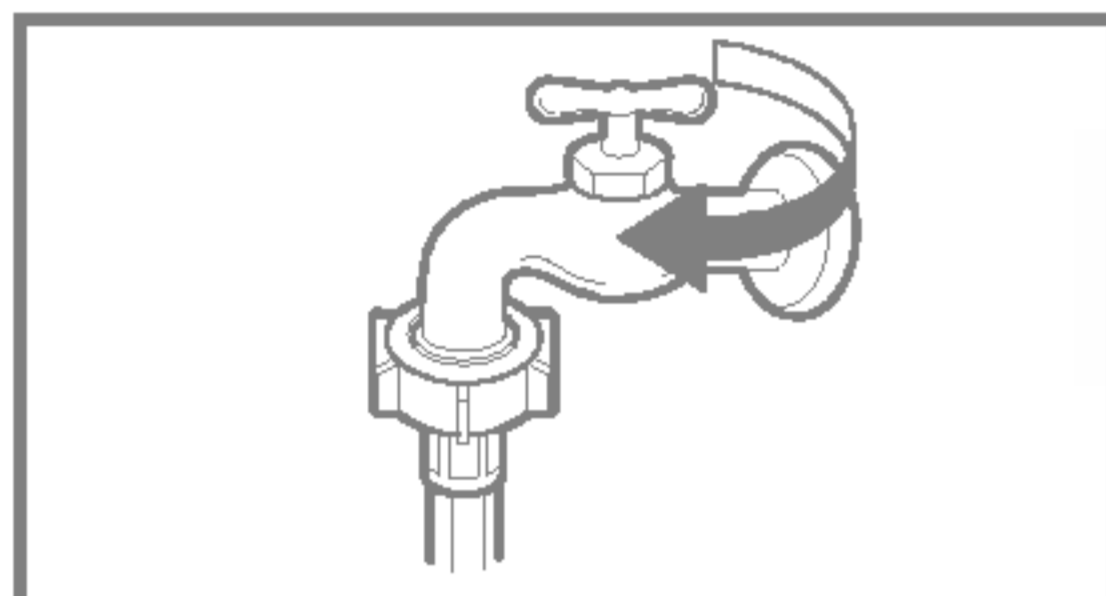
\* When disposing of the appliance, cut off the mains cable, and destroy the plug Disable the door lock to prevent young children being trapped inside.

### ■ The water inlet filter

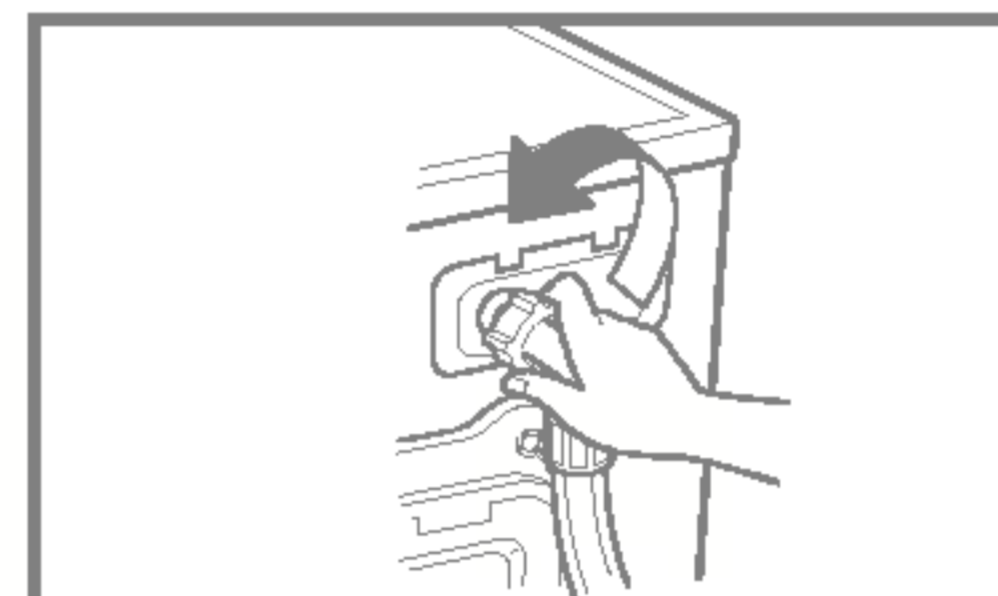
- " **iE** " error message will blink on the control panel when water does not enter the detergent drawer.

- If your water is very hard or contains traces of lime deposit, the water inlet filter may become clogged.

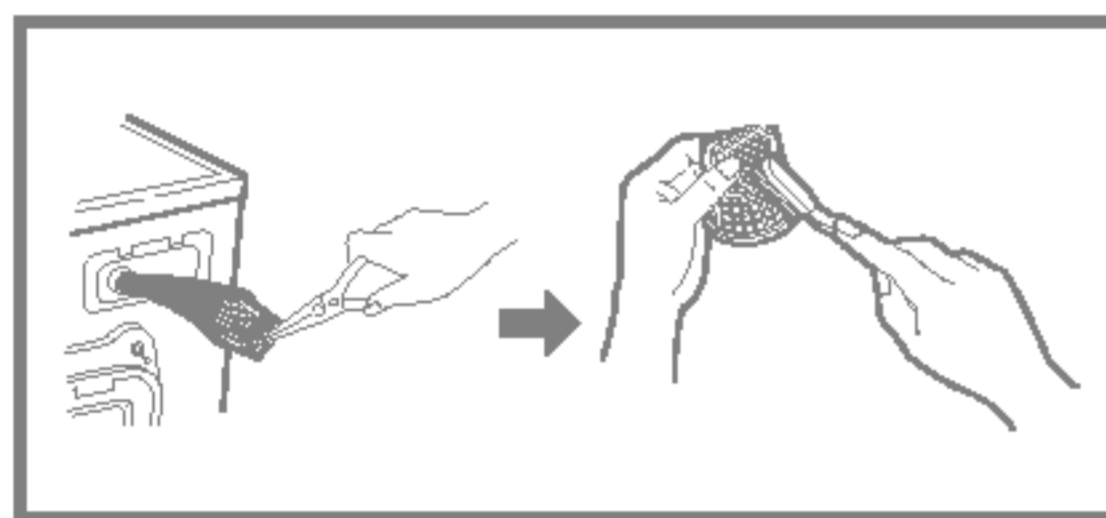
It is therefore a good idea to clean it from time to time.



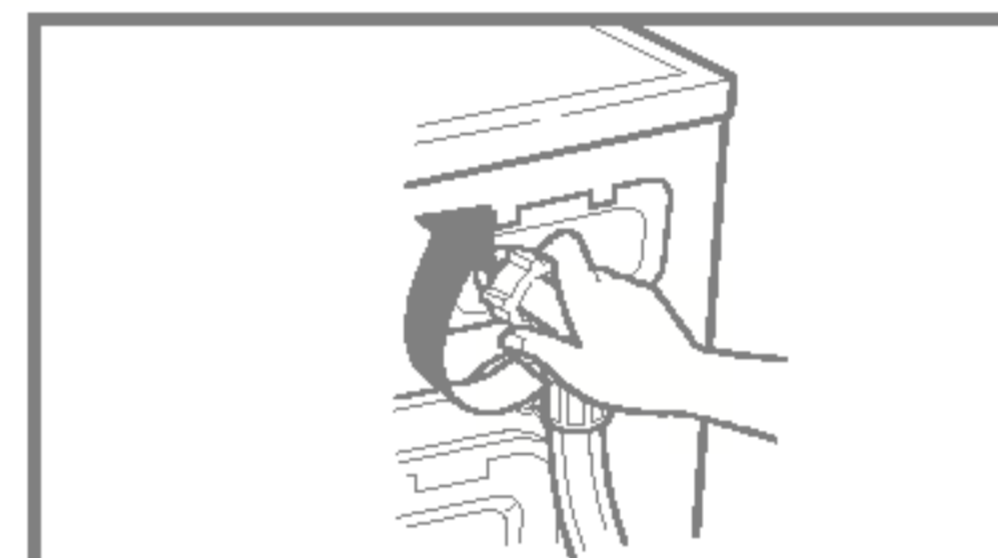
**1.** Turn off the water tap.



**2.** Unscrew the water inlet hose.



**3.** Clean the filter using a hard bristle brush.



**4.** Tighten up the inlet hose.

### ■ The drain pump filter

\* The drain filter collects threads and small objects left in the laundry.

Check regularly that the filter is clean to ensure smooth running of your machine.

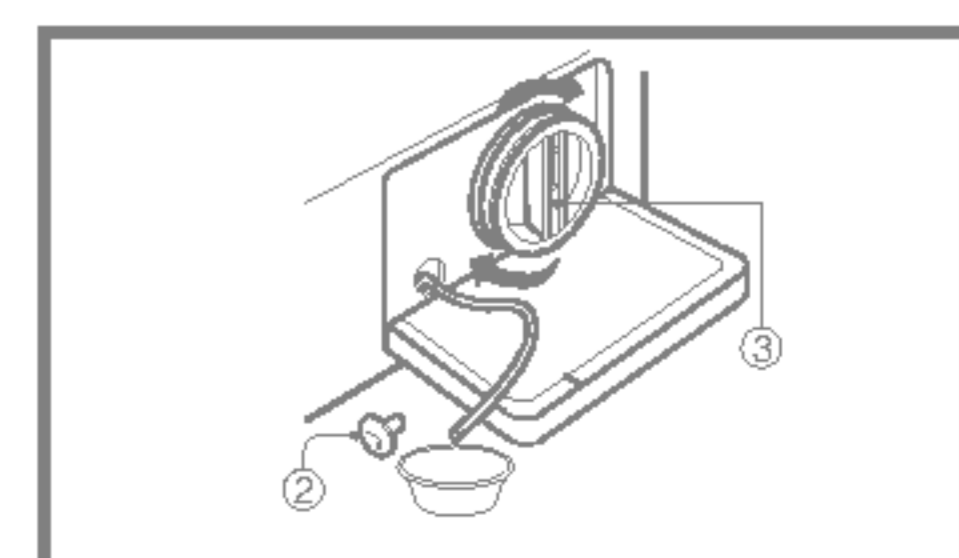
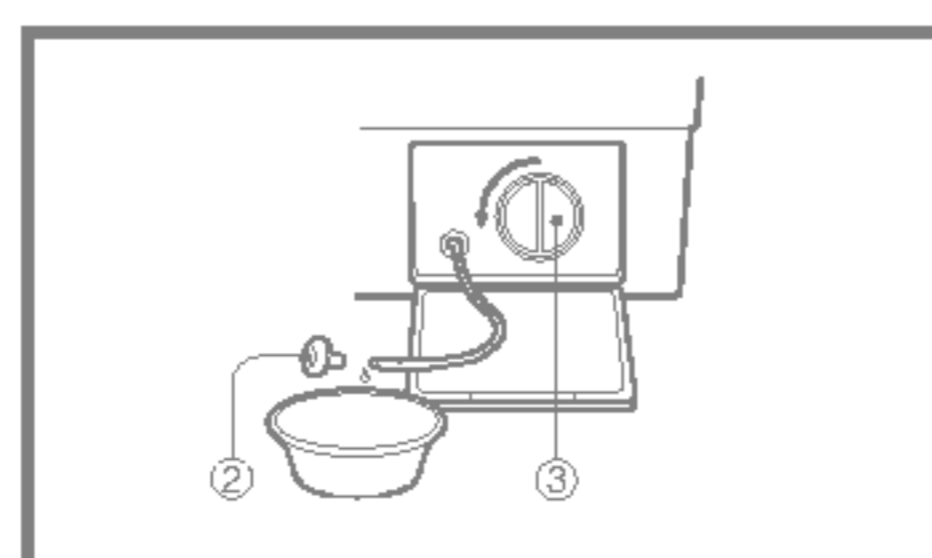
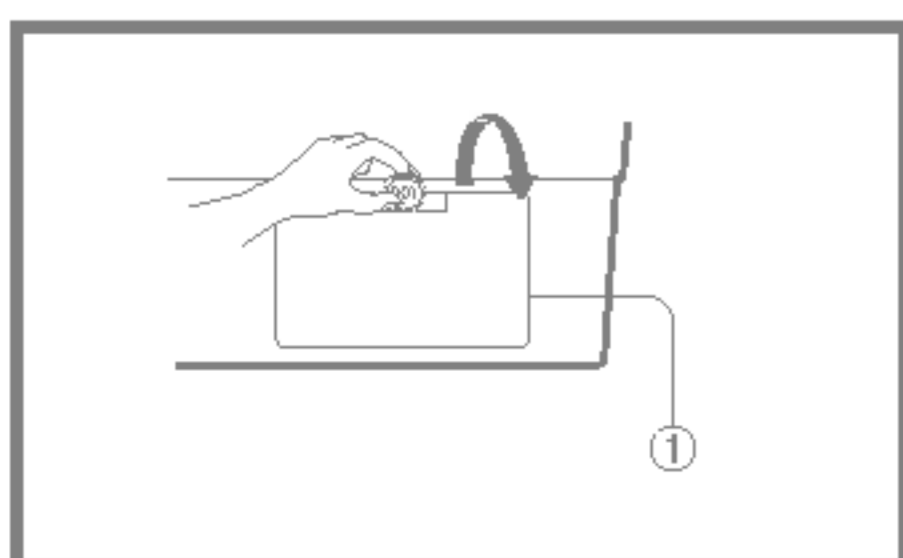
**▲ CAUTION** First drain using the drain and then open the pump filter to remove whatever any threads or objects.

Be careful when draining if the water is hot.

**1.** Open the lower cover cap (①) by using a coin. Turn the drain plug (②) to pull out the hose.

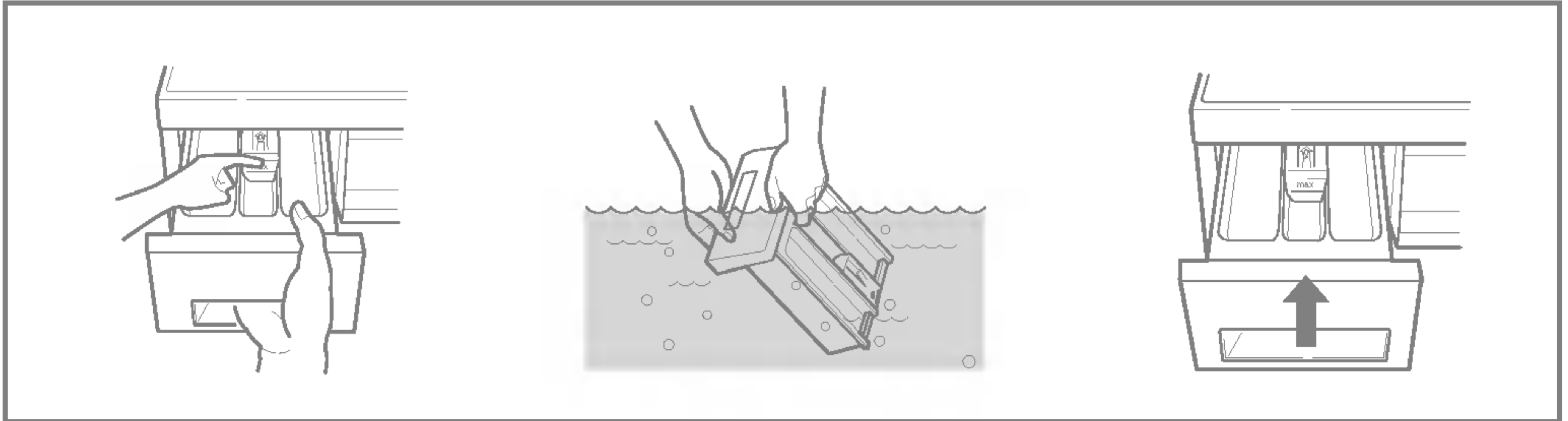
**2.** Unplug the drain plug (②), allowing the water to flow out. At this time use a vessel to prevent water flowing on to the floor. When water does not flow any more, turn the pump filter (③) open to the left.

**3.** Remove any foreign material from the pump filter (③). After cleaning, turn the pump filter (③) clockwise and insert the drain plug (②) to the original place. close the lower cover cap.



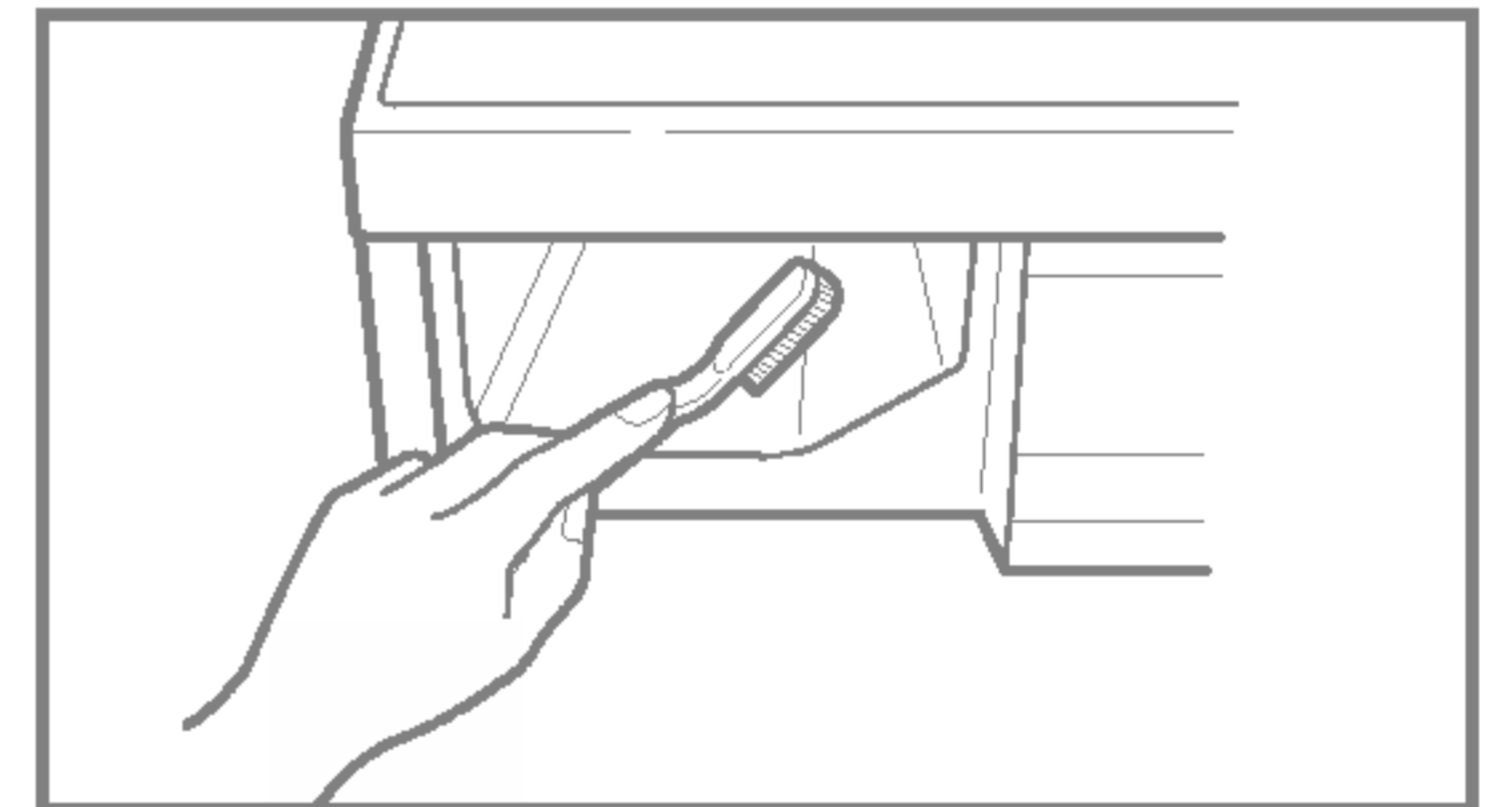
## ■ Dispenser drawer

- \* After a while detergents and fabric softeners leave a deposit in the drawer.
- It should be cleaned from time to time with a jet of running water.
- If necessary it can be removed completely from the machine by pressing the catch downwards and by pulling it out.
- To facilitate cleaning, the upper part of the fabric softener compartment can be removed.



## ■ The drawer recess

- \* Detergent can also accumulate inside the recess which should be cleaned occasionally with an old toothbrush.
- Once you have finished cleaning, replace the drawer and run a rinse cycle without laundry.



## ■ The washing drum

- If you live in a hard water area, limescale may continuously build up in places where it cannot be seen and thus not easily removed.  
Over time the build up of scale clogs appliances, and if it is not kept in check these may have to be replaced.
- Although the washing drum is made of Stainless steel, specks of rust can be caused by small metal articles (paper clips, safety pins) which have been left in the drum.
- The washing drum should be cleaned from time to time.
- If you use descaling agents, dyes or bleaches, make sure they are suitable for washing machine use.
- \* Descaler may contain chemicals that may damage part of your washing machine.
- \* Remove any spots with a stainless steel cleaning agent.
- \* Never use steel wool.

## ■ Cleaning your washer

### 1. Exterior

Proper care of your washer can extend its life.

The outside of the machine can be cleaned with warm water and a neutral non abrasive household detergent.

Immediately wipe off any spills. Wipe with damp cloth.

Try not to hit surface with sharp objects.

\* IMPORTANT: Do not use methylated spirits, diluents or similar products.

### 2. Interior

Dry around the washer door opening, flexible gasket and door glass.

Run washer through a complete cycle using hot water.

Repeat process if necessary.

**NOTE** Remove hard water deposits using only cleaners labeled as washer safe.

## ■ Cold condition

If the washer is stored in an area where freezing may occur or moved in freezing temperatures, follow these instructions to prevent damage to the washer:











1. Turn off water supply tap.
2. Disconnect hoses from water supply and drain water from hoses.
3. Plug electrical cord into a properly grounded electrical outlet.
4. Add 1gallon(3.8L) of nontoxic recreational vehicle(RV) antifreeze into an empty wash drum.  
Close the door.
5. Set spin cycle and let washer spin for 1minute to drain out all water.  
Not all of the RV antifreeze will be expelled.
6. Unplug electrical power cord, dry the drum interior, and close the door.
7. Remove dispenser drawer drain and dry excessive water from the compartments.
8. Store washer in an upright position.
9. To remove antifreeze from washer after storage, run empty washer through a complete cycle using detergent. Do not add wash load.



\* This washing machine is equipped with automatic safety functions which detect and diagnose faults at an early stage and react appropriately  
 When the machine does not function properly or does not function at all, check the following points before you contact your service provider.

Symptom	Possible Cause	Solution
Rattling and clanking noise	<ul style="list-style-type: none"> <li>Foreign objects such as coins or safety pins maybe in drum or pump.</li> </ul>	<p>Stop washer and check drum and drain filter.          If noise continues after washer is restarted, call your authorised service centre.</p>
Thumping sound	<ul style="list-style-type: none"> <li>Heavy wash loads may produce a thumping sound. This is usually normal.</li> </ul>	<p>If sound continues, washer is probably out of balance. Stop and redistribute wash load.</p>
Vibrating noise	<ul style="list-style-type: none"> <li>Have all the transit bolts and packing been removed?</li> <li>Are all the feet resting firmly on the ground?</li> </ul>	<p>If not removed during installation. Refer to Installation guide for removing transit bolts.          Wash load may be unevenly distributed in drum. Stop washer and rearrange wash load.</p>
Water leaks.	<ul style="list-style-type: none"> <li>Fill hoses or drain hose are loose at tap or washer.</li> <li>House drain pipes are clogged.</li> </ul>	<p>Check and tighten hose connections.          Unclog drain pipe. Contact plumber if necessary.</p>
Oversudsing		<p>Too much detergent or unsuitable detergent may cause excessive foaming which may result in water leaks.</p>
Water does not enter washer or it enters slowly	<ul style="list-style-type: none"> <li>Water supply is not adequate in area.</li> <li>Water supply tap is not completely open.</li> <li>Water inlet hose(s) are kinked.</li> <li>The filter of the inlet hose(s) clogged.</li> </ul>	<p>Check another tap in the house.          Fully open tap.          Straighten hose.          Check the filter of the inlet hose.</p>
Water in the washer does not drain or drains slowly.	<ul style="list-style-type: none"> <li>Drain hose is kinked or clogged.</li> <li>The drain filter is clogged.</li> </ul>	<p>Clean and straighten the drain hose.          Clean the drain filter</p>

Symptom	Possible Cause	Solution
Washer does not start	<ul style="list-style-type: none"> <li>• Electrical power cord may not be plugged in or connection may be loose.</li> <li>• House fuse blown, circuit breaker tripped, or a power outage has occurred.</li> <li>• Water supply tap is not turned on.</li> </ul>	<p>Make sure plug fits tightly in wall outlet.</p> <p>Reset circuit breaker or replace fuse. Do not increase fuse capacity. If problem is a circuit overload, have it corrected by a qualified electrician. Turn on water supply tap.</p>
Washer will not spin	<ul style="list-style-type: none"> <li>* Check that the door is firmly shut.</li> </ul>	<p>Close the door and press the Start/Pause button. After pressing the Start/Pause button, it may take a few moments before the clothes washer begins to spin. The door must lock before spin can be achieved.</p>
Door does not open		<p>Once started, the door can not be opened for safety reasons. Wait one or two minutes before opening the door to give the electric locking mechanism time to release.</p>
Wash cycle time delayed		<p>The washing time may vary by the amount of laundry, water pressure, water temperature and other usage conditions. If the imbalance is detected or if the suds removing program works, the wash time shall be increased.</p>

Symptom	Possible Cause	Solution
	<ul style="list-style-type: none"> <li>• Water supply is not adequate in area</li> <li>• Water supply taps are not completely open.</li> <li>• Water inlet hose(s) are kinked.</li> <li>• The filter of the inlet hose(s) are clogged.</li> </ul>	<p>Check another tap in the house. Fully open tap.</p> <p>Straighten hose(s). Check the filter of the inlet hose.</p>
	<ul style="list-style-type: none"> <li>• Drain hose is kinked or clogged.</li> <li>• The drain filter is clogged.</li> </ul>	<p>Clean and straighten the drain hose. Clean the drain filter.</p>
	<ul style="list-style-type: none"> <li>• Load is too small.</li> <li>• Load is out of balance.</li> <li>• The appliance has an imbalance detection and correction system. If individual heavy articles are loaded (ex. bath mat, bath robe, etc.) this system may stop spinning or even interrupt the spin cycle altogether.</li> <li>• If the laundry is still too wet at the end of the cycle, add smaller articles of laundry to balance the load and repeat the spin cycle.</li> </ul>	<p>Add 1 or 2 similar items to help balance the load. Rearrange load to allow proper spinning</p>
	 <ul style="list-style-type: none"> <li>• Is the door opened?</li> </ul>	<p>Close the door. * If "dE" is not released, call for service.</p>
		<p>Unplug the power plug and call for service.</p>
	<ul style="list-style-type: none"> <li>• Water overfills due to the faulty water valve.</li> </ul>	<p>Close the water tap. Unplug the power plug. Call for service.</p>
	<ul style="list-style-type: none"> <li>• Water level sensor has malfunctioned.</li> </ul>	
	<ul style="list-style-type: none"> <li>• Over load in motor.</li> </ul>	
	<ul style="list-style-type: none"> <li>• Over load in motor.</li> </ul>	

## Disposal of your old appliance



1. When this crossed-out wheeled bin symbol is attached to a product it means the product is covered by the European Directive 2002/96/EC.
2. All electrical and electronic products should be disposed of separately from the municipal waste stream via designated collection facilities appointed by the government or the local authorities.
3. The correct disposal of your old appliance will help prevent potential negative consequences for the environment and human health.
4. For more detailed information about disposal of your old appliance, please contact your city office, waste disposal service or the shop where you purchased the product.

## What Is Not Covered:

- Service trips to your home to teach you how to use the product.
- If the product is connected to any voltage other than that shown on the rating plate.
- If the fault is caused by accident, neglect, misuse or Act of God.
- If the fault is caused by factors other than normal domestic use or use in accordance with the owner's manual.
- Provide instruction on use of product or change the set-up of the product.
- If the fault is caused by pests for example, rats or cockroaches etc..
- Noise or vibration that is considered normal for example water drain sound, spin sound, or warming beeps.
- Correcting the installation for example, levelling the product, adjustment of drain.
- Normal maintenance which recommended by the owner's manual.
- Removal of foreign objects / substances from the machine, including the pump and inlet hose filter for example, grit, nails, bra wires, buttons etc.
- Replace fuses in or correct house wiring or correct house plumbing.
- Correction of unauthorized repairs.
- Incidental or consequential damage to personal property caused by possible defects with this appliance.
- If this product is used for commercial purpose, it is not warranted.

(Example : Public places such as public bathroom, lodging house, training center, dormitory)

If the product is installed outside the normal service area, any cost of transportation involved in the repair of the product, or the replacement of a defective part, shall be borne by the owner.



### ■ **Предпазване от измачкване**

С променящото се въртене на барабана мачкането на прането се намалява до минимум.



### ■ **ОНОМИЧНА СИСТЕМА ЗА ПРАНЕ.**

"Интелигентната" система за пране избира оптимални условия за изпиране/оптимизира при всяко пране нивото на водата и нейната температура, като по този начин пести енергия/.



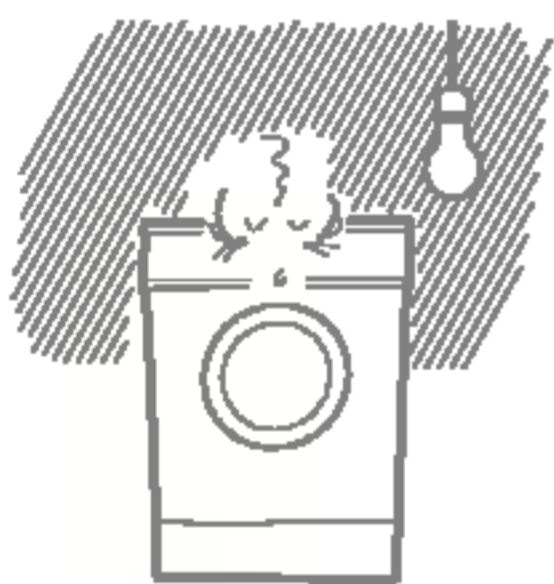
### ■ **ДЕТСКО ЗАКЛЮЧВАНЕ**

Тази защита предотвратява възможността децата да натискат различни бутони по време на процеса на пране, с цел да се избегне промяна на първоначално избраната програм



### ■ **СИСТЕМА ЗА КОНТРОЛ НА ШУМА**

Тъй като Вашата пералня разполага със система за автоматично измерване на теглото и баланс на прането, тя своевременно разпределя теглото така, че да намали максимално нивото на шума по време на центрофугиране.



### ■ **АВТОМАТИЧНО РЕСТАРТИРАНЕ**

Ако Вашата машина се самоизключи в резултат на спиране на тока или друга повреда на мрежата, с помощта на тази вградена система тя продължава цикъла от мястото, където е спряла при възстановяване на напрежението.

ПРЕДУПРЕЖДЕНИЕ .....	3
СПЕЦИФИКАЦИЯ .....	4
ИНСТАЛИРАНЕ.....	5
ЗА КАКВО ДА СЕ ПОГРИЖИМ ПРЕДИ ПРАНЕ .....	10
ПОСТАВЯНЕ НА ПРЕПАРАТ.....	11
ФУНКЦИИ.....	12
КАК ДА ИЗПОЛЗУВАМЕ ПЕРАЛНЯТА .....	13
ПОДДРЪЖКА.....	20
СПИСЪК НА ВЪЗМЪЖНИ ПОВРЕДИ .....	23
Гаранционни условия .....	26

## ВАЖНИ ИНСТРУКЦИИ ЗА БЕЗОПАСНОСТ



За да намалите риска от пожар, токов удар или наранявания на хора по време на употребата на пералнята, следвайте основните предупреждения и прочетете внимателно следващите предупреждения.

- Да не се инсталира или въвежда в експлоатация перална машина, поставен на открито.
- Да не се играе с контролното табло.
- Да не се поправя, отстранява никоя част от пералнята, да не се извършват поправки от хора, които нямат специфична сервизна квалификация и знания.
- Поддържайте пространството около и под пералнята свободно от лесно запалими материали като хартия, парцали, химикали и др..
- Задължително надзиравайте работата на уреда в присъствието на деца.
- Никога не оставяйте вратата на пералнята отворена с цел да избегнете влизането на децата в барабана или увисването им на вратата.
- Никога не бъркайте в пералнята, докато барабана се върти. Изчаквайте окончателното му спиране.
- Да не се перат в пералнята артикули, които са били почиствани, прани, потопени или са имали какъвто и да е контакт с олио, боя, бензин, разреждател, сухо-почистващи разреждатели, керосин и др. материали, които биха могли да се възпламенят или избухнат.
- Винаги внимателно следвайте инструкциите, дадени по-долу.
- Не блъскайте врата на пералнята и не опитвайте да я отворите , докато е в заключено положение, защото това може да доведе до повреда.
- За да се избегне риска от токов удар, винаги преди почистване на уреда го изключвайте от мрежата.
- Никога не опитвайте не се опитвате да използвате уреда, ако той е повреден, разглобен или има счупени части, включително повреден кабел или щепсел.

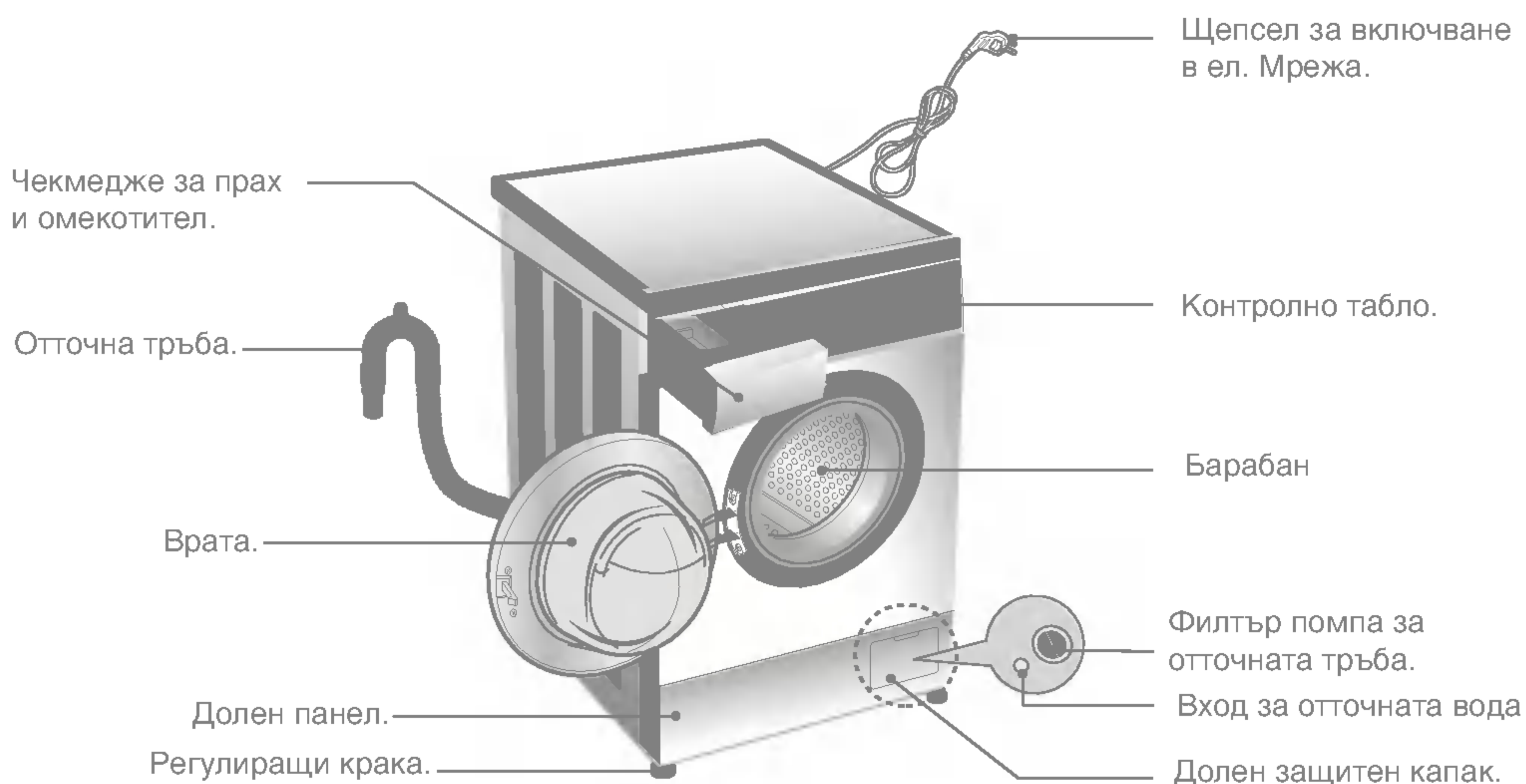
### ЗАПАЗЕТЕ ТЕЗИ ИНСТРУКЦИИ!

#### Заземяване!

Този уред трябва да бъде заземен. При случайна повреда или неправилно функциониране, заземяването може да намали риска от токов удар, като създава пътека, проводяща електричеството и го намалява. Този уред е снабден с кабел, който е предназначен за заземяване, който от своя страна трябва да бъде свързан в контакт, правилно заземен.

Никога не използвайте адаптор за включване в мрежата и не се опитвайте да премахнете заземяването на уреда.

Ако се съмнявате, че контактът включващ уреда в мрежата е неподходящ или неизправен, не включвайте уреда, преди консултация със електротехник.



- Име : Пералня с предно зареждане
- Захранване : 220-240V~, 50Hz
- Размери : 600 X 550 X 850мм
- Тегло : 65 кг
- Капацитет на барабана : 7 кг
- Максимална мощност : 2100 W
- Скорост на центрофугиране : ~~☒~~ / 400 / 600 / 800 / 1000 [WD-10230(5)TB]  
~~☒~~ / 400 / 800 / 1000 / 1200 [WD-12230(5)TB]  
~~☒~~ / 400 / 800 / 1000 / 1400 [WD-14230(5)TB]
- Консумация на вода : 59литра (8,4литра/кг)
- Разрешено налягане на водата : 0,3-10 kgf / cm<sup>2</sup> (30-1000kPa)
- Ниво на шума :

Модел	Пране	Центрофуга
WD-10230(5)TB	53dB(A)	70dB(A)
WD-12230(5)TB	53dB(A)	70dB(A)
WD-14230(5)TB	53dB(A)	70dB(A)



Инсталирайте и ползвайте пералнята на места, където няма да бъде изложена на ниски температури или външни атмосферни явления.

Когато поставяте не покрита са дебела постелка основа, винаги имайте предвид, че основата ѝ трябва да е свободна.

Не инсталирайте уреда на открито, или в помещения, където температурата е под нулата. Спазвайте всички основни правила за заземяването на уреда.

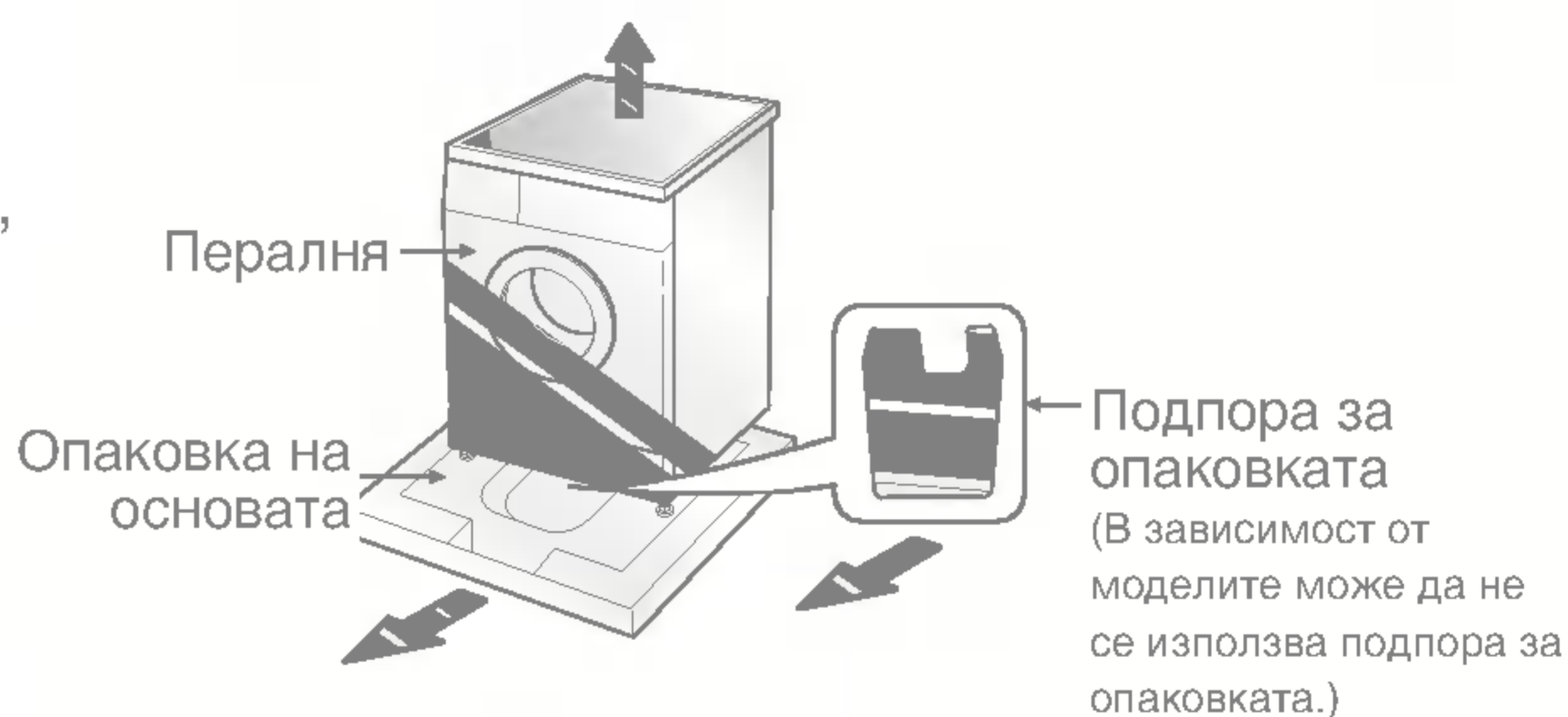
Ако пералната машина е поставена върху килим, отварянето на вратата не бива да бъде затруднено. Ако пералната е поставена на място, където е изложена на прах, почиствайте я периодично.

## ■ Транспортни болтове

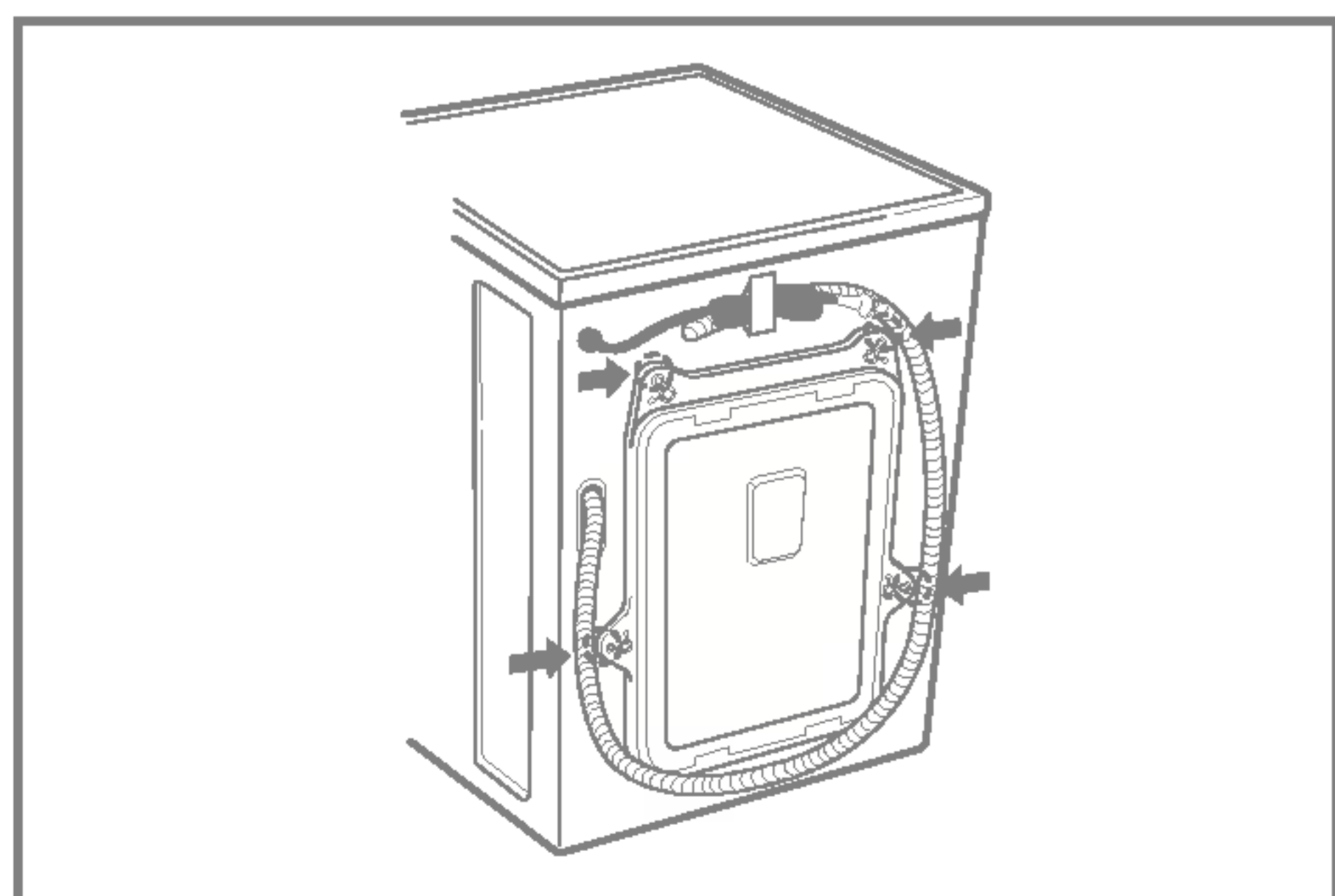
Този уред е вътрешно закрепен, за да се избегне транспортен дефект.

- Опаковката и всички транспортни болтове трябва да бъдат отстранени, преди да започнете да използвате пералнята.

Когато разопаковате основата, трябва да отстраните допълнителната подпора за опаковката в средата на опаковката на основата.

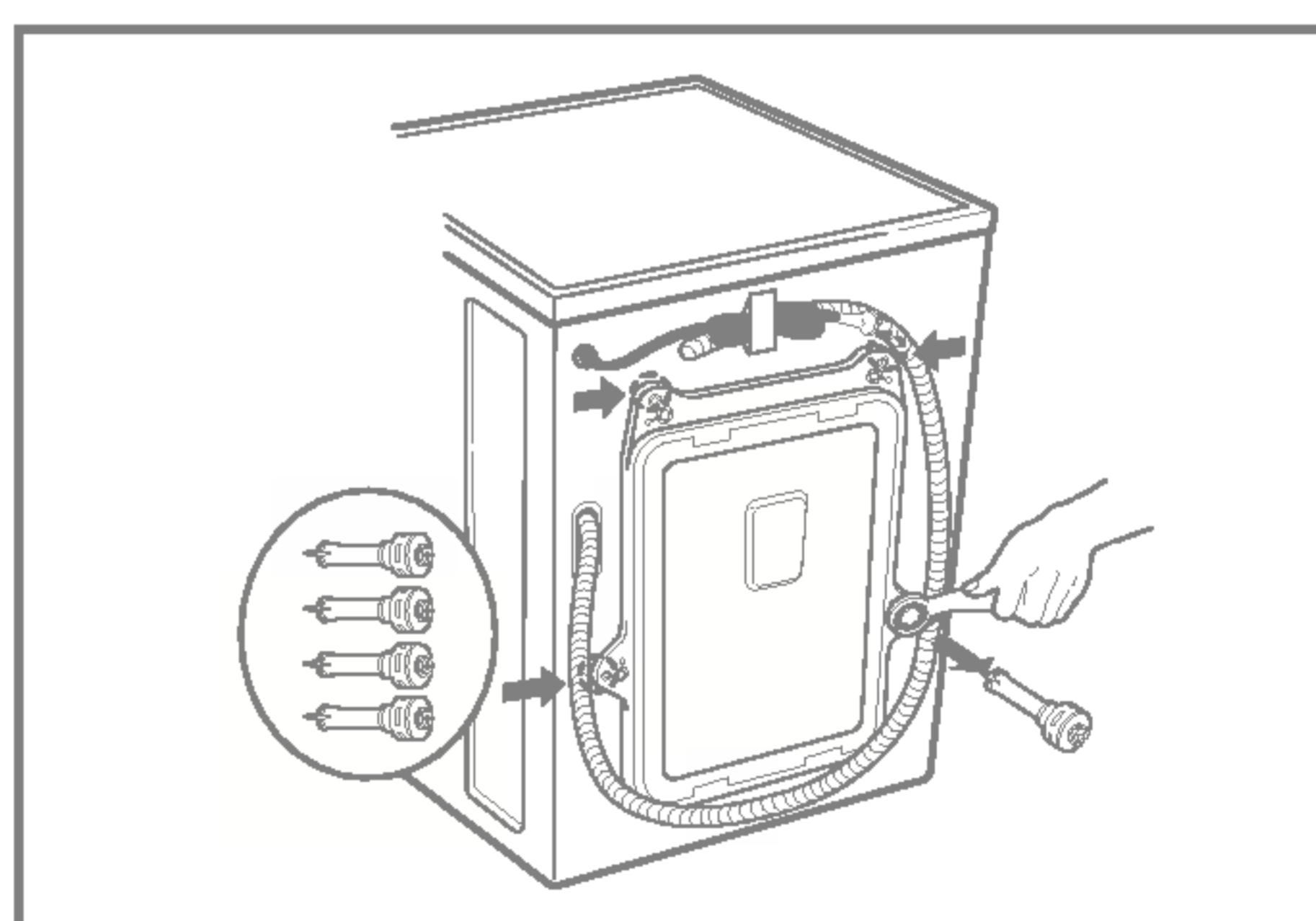


## ■ Демонтаж на транспортните болтове.



1. За да се избегнат нежелани транспортни повреди, в пералнята има поставени 4 заключващи болта. Преди да пуснете пералнята в експлоатация, трябва да ги отстраните. Ако не ги свалите, можете сериозно да повредите уреда.

2. Отвинтете болтовете, които се намират на задния капак на пералнята под гумени капачета, като използвате специално прилежащия ключ.the spanner supplied.

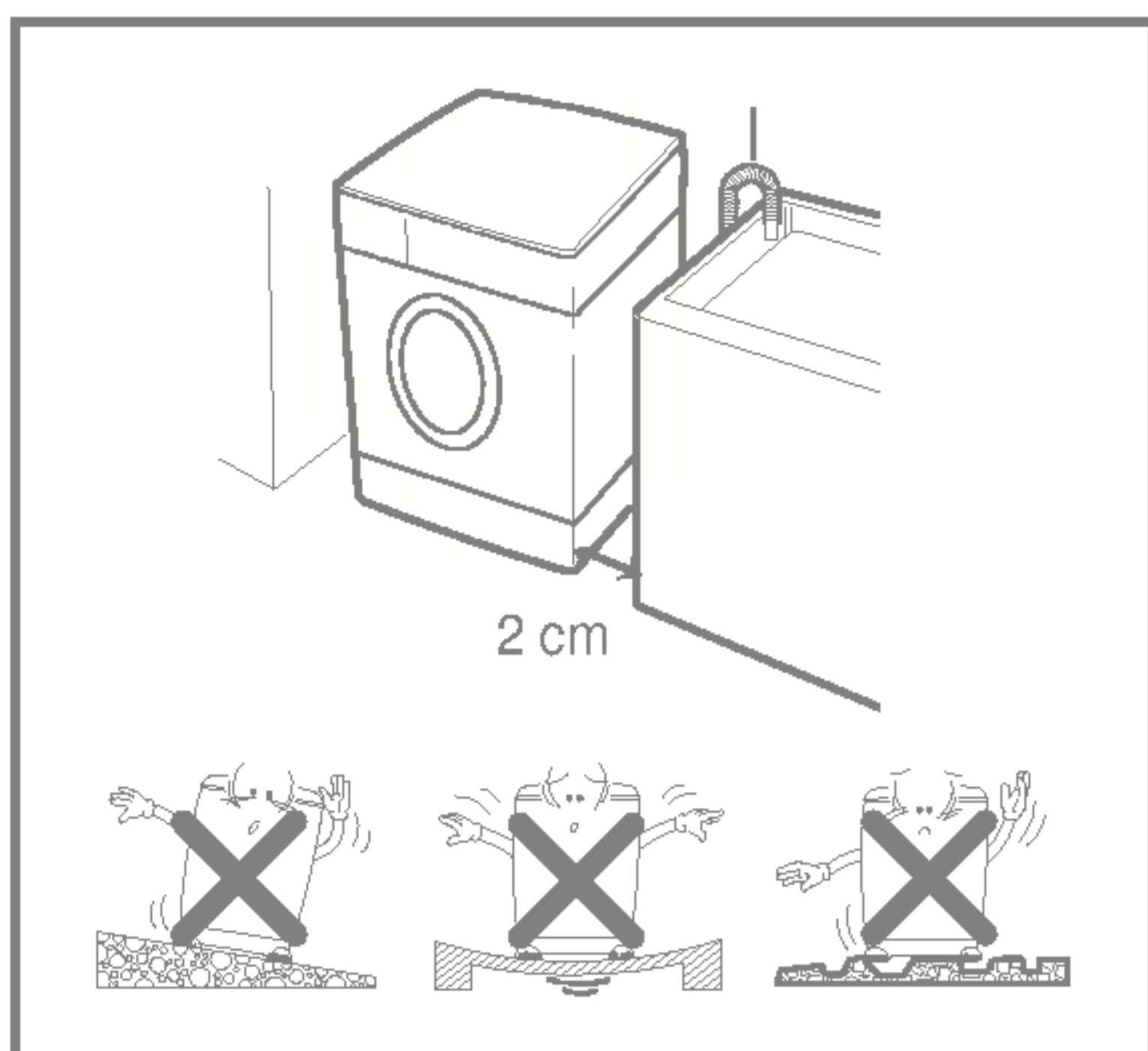


3. Извадете болтовете, заедно с гумените капачки. Запазете болтовете, за да ги използвате при нужда от ново транспортиране на уреда.

4. Затворете дупките с помо та не приложените капачки.



## ■ Изисквания към мястото на инсталиране.



### Нивелация на пода:

Допустимото отклонение е 1 процент.

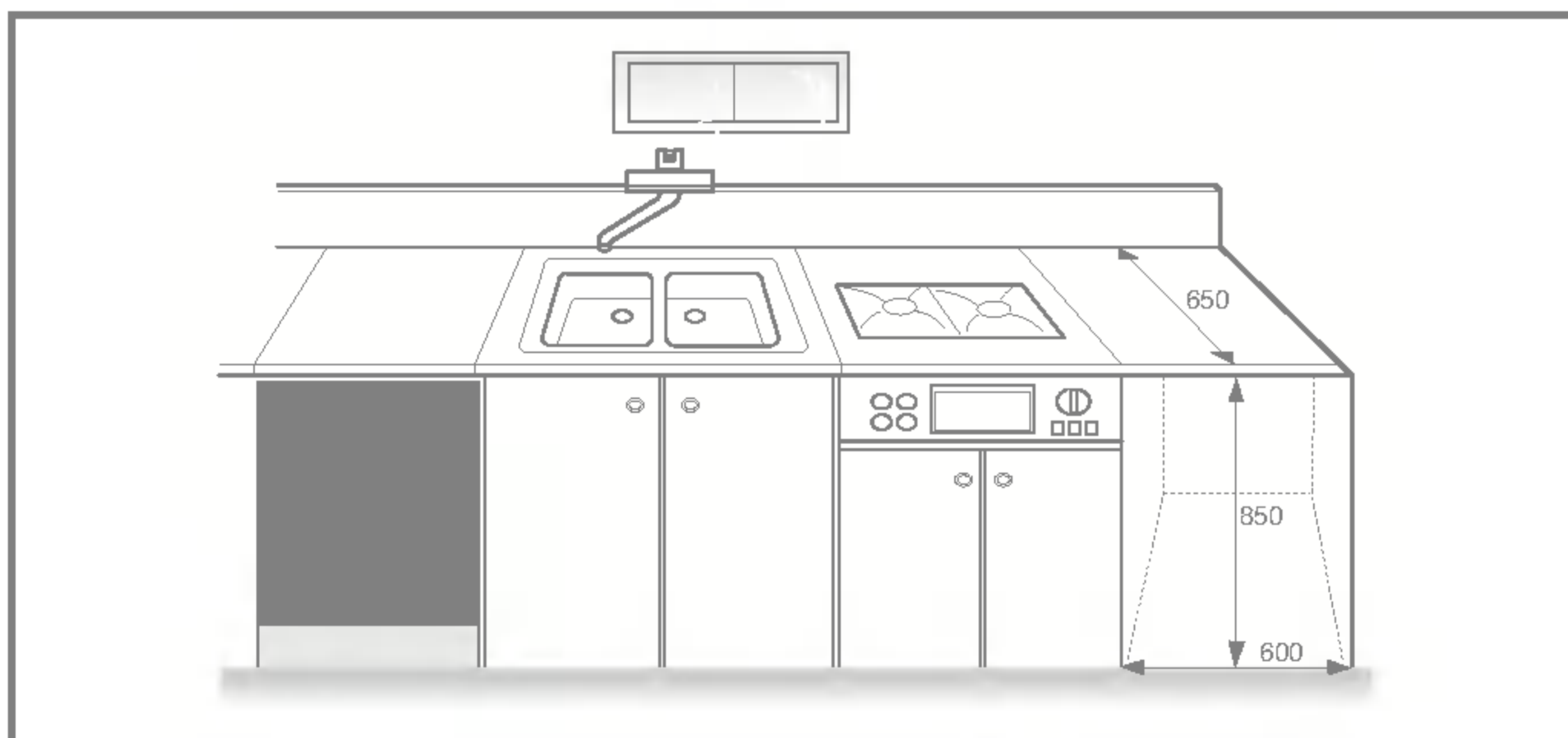
### Включване в ел. Мрежа:

Щепсълът трябва да се намира максимално на 1,5 м от уреда. Никога не включвайте пералнята в разклонител.

### Местоположение:

Отстъплението от други предмети трябва да бъде, както следва: /10 см-отзад:2 см от страни/

Никога не използвайте горния капак на пералнята, за съхранение на перилни и почистващи препарати, защото евентуално потичане, може да увреди капака и контролното табло.



## ■ Инсталиране

Инсталирайте пералнята върху равен твърд под. Циркулацията на въздуха около пералнята не трябва да бъде възпрепятствана от килими, мокети и др.

- В никакъв случай не се опитвайте да коригирате неравностите на пода, като поставите под пералнята парчета от дърво, картон или подобни материали.
- Ако не е възможно да избегнете поставянето на пералнята до газова готварска печка или отоплителна печка на дърва и въглища, между двата уреда трябва да се постави изолираща преграда (85 x 60 см), покрита с алуминиево фолио от страната на готварската или отоплителната печка.
- Пералнята не трябва да се поставя в помещения, където температурата може да падне под 0°C.
- Моля при инсталиране на пералнята осигурете лесен достъп за сервизните техници до нея в случай на повреда.
- След инсталирането на пералнята регулирайте и четирите ѝ крака с помощта на доставения гаечен ключ за транспортните болтове, за да осигурите стабилност на уреда, като между горната повърхност на пералнята и долната страна работния плот трябва да има разстояние от приблизително 20 мм.

## ■ Включване в електрическата мрежа.

1. Никога не използвайте удължител или разклонител.
  2. Ако кабелът на захранването е повреден, той трябва да бъде сменен в оторизиран сервиз или от специалист електротехник.
  3. Винаги изключвайте пералнята от мрежата и от водата, когато не я използвате.
  4. Уверете се уредът е заземен правилно.
  5. Контактът трябва да е разположен така, че да е лесен за достигане.
- Поправки на уреда се извършват само от квалифициран техник.
  - Не инсталирайте пералната машина в помещения, където температурата може да падне под нулата. Замръзналата в маркучите вода може да причини спукването им. Също така надеждността на отделението за електронен контрол може да бъде понижена.
  - Преди да включите уреда за пръв път оставете го на стайна температура за няколко часа.

## ВНИМАНИЕ относно захранващия кабел

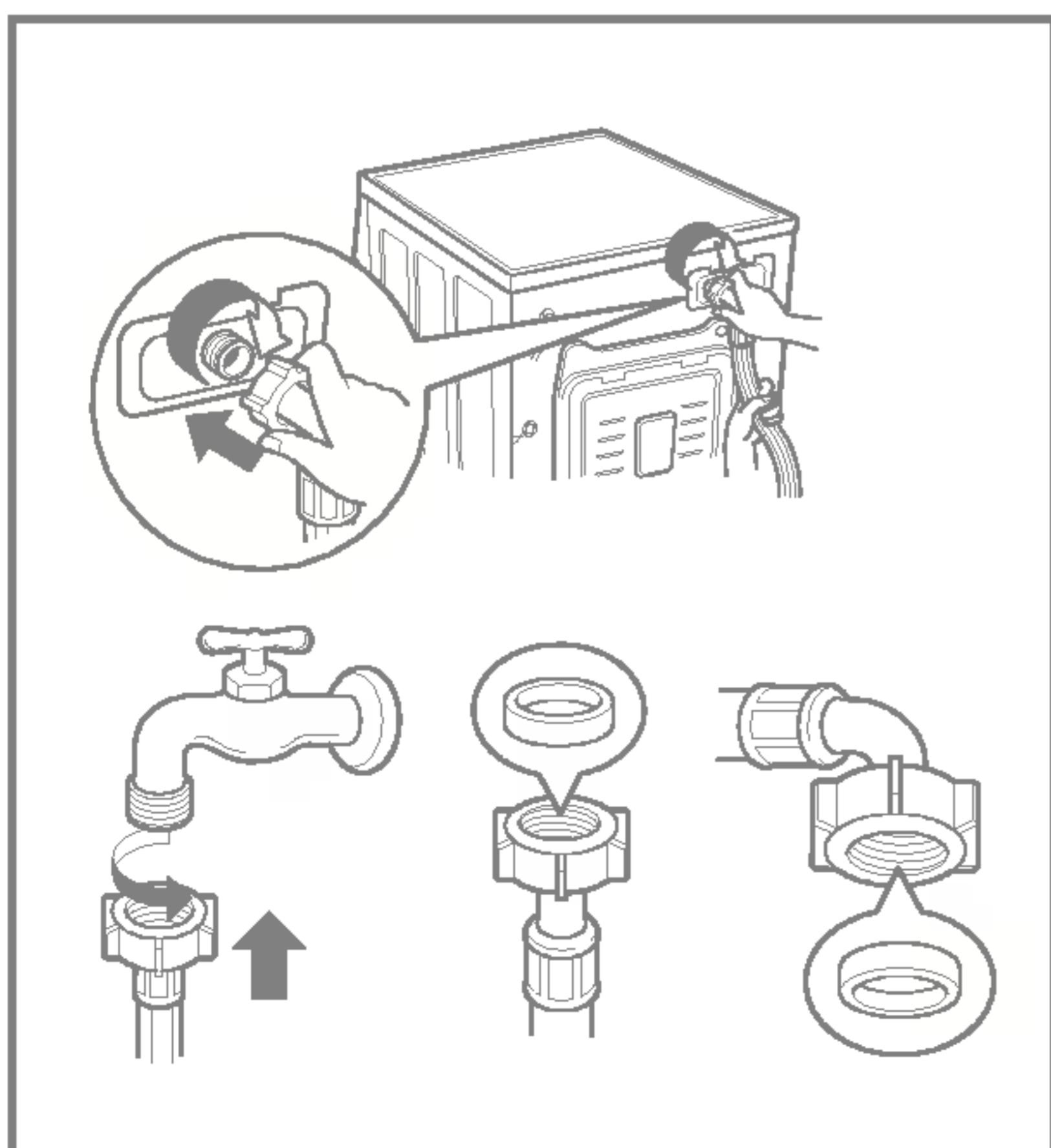
Препоръчително е повечето уреди да бъдат включени към отделна захранваща верига, т.е. захранваща верига с единичен контакт, откъдето се захранва само този уред и която е без допълнителни разклонения и контакти. Вижте страницата с техническите характеристики в настоящето ръководство за потребителя, за да сте сигурни.

Не претоварвайте мрежовите контакти. Претоварените контакти, разхлабените или повредени контакти, удължителите, протритите захранващи кабели или повредената или напукана изолация на проводниците са опасни. Всяко от тези обстоятелства може да предизвика електрически удар или пожар. Периодично проверявайте кабела на вашия уред и ако външният му вид показва повреда или изхабяване, изключете го, прекратете използването на уреда и се обърнете към официален сервиз, за да заменят кабела точно със същия.

Предпазвайте захранващия кабел от физическо и механично въздействие, като например усукване, прегъване, притискане, прищипване от врата или стъпване върху него. Обръщайте особено внимание на щепселите, стенните контакти и мястото, откъдето кабелът излиза от уреда.

## ■ Включване във захранването с вода.

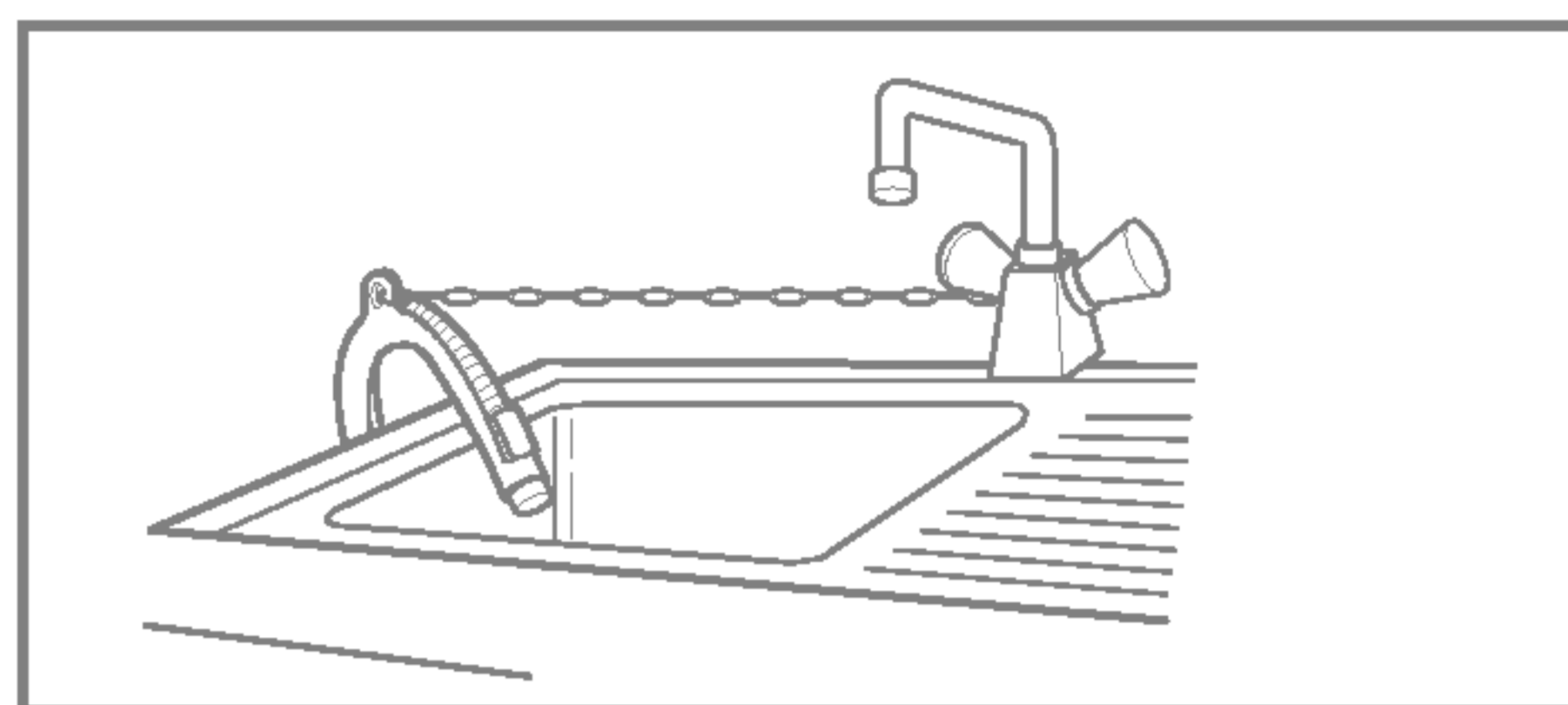
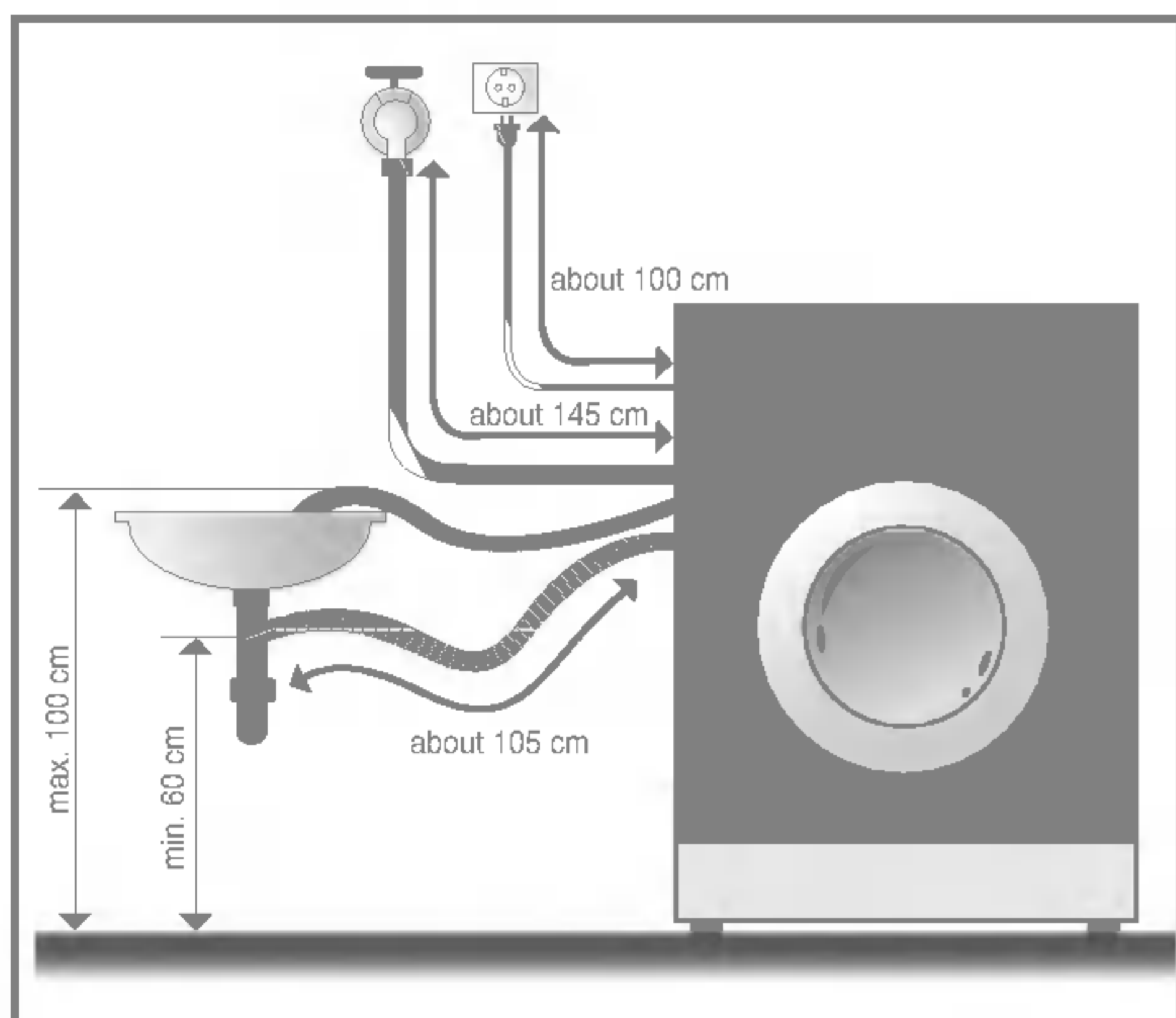
### ■ Никога не използвайте стари маркучи, за да включите пералнята във водата.



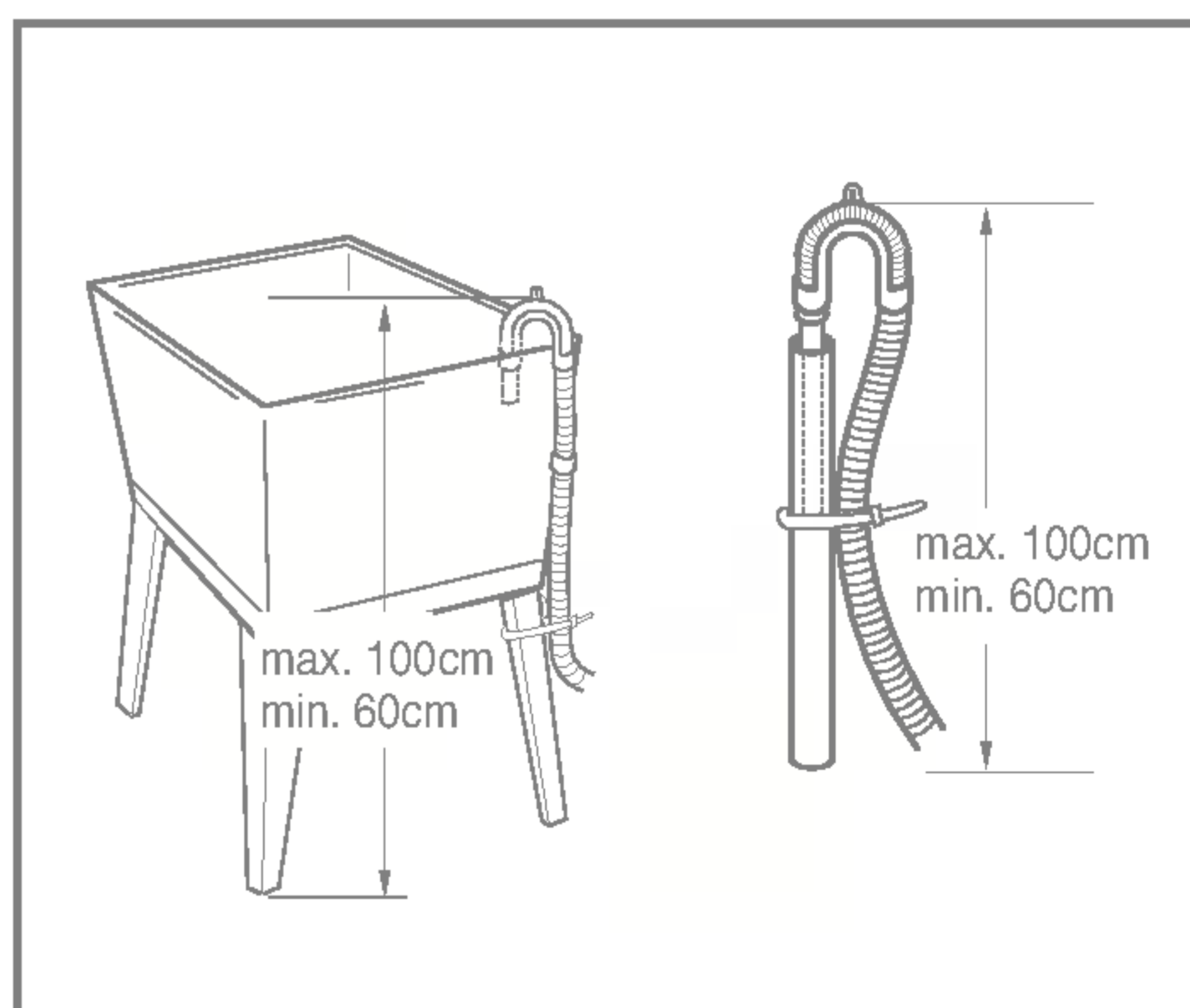
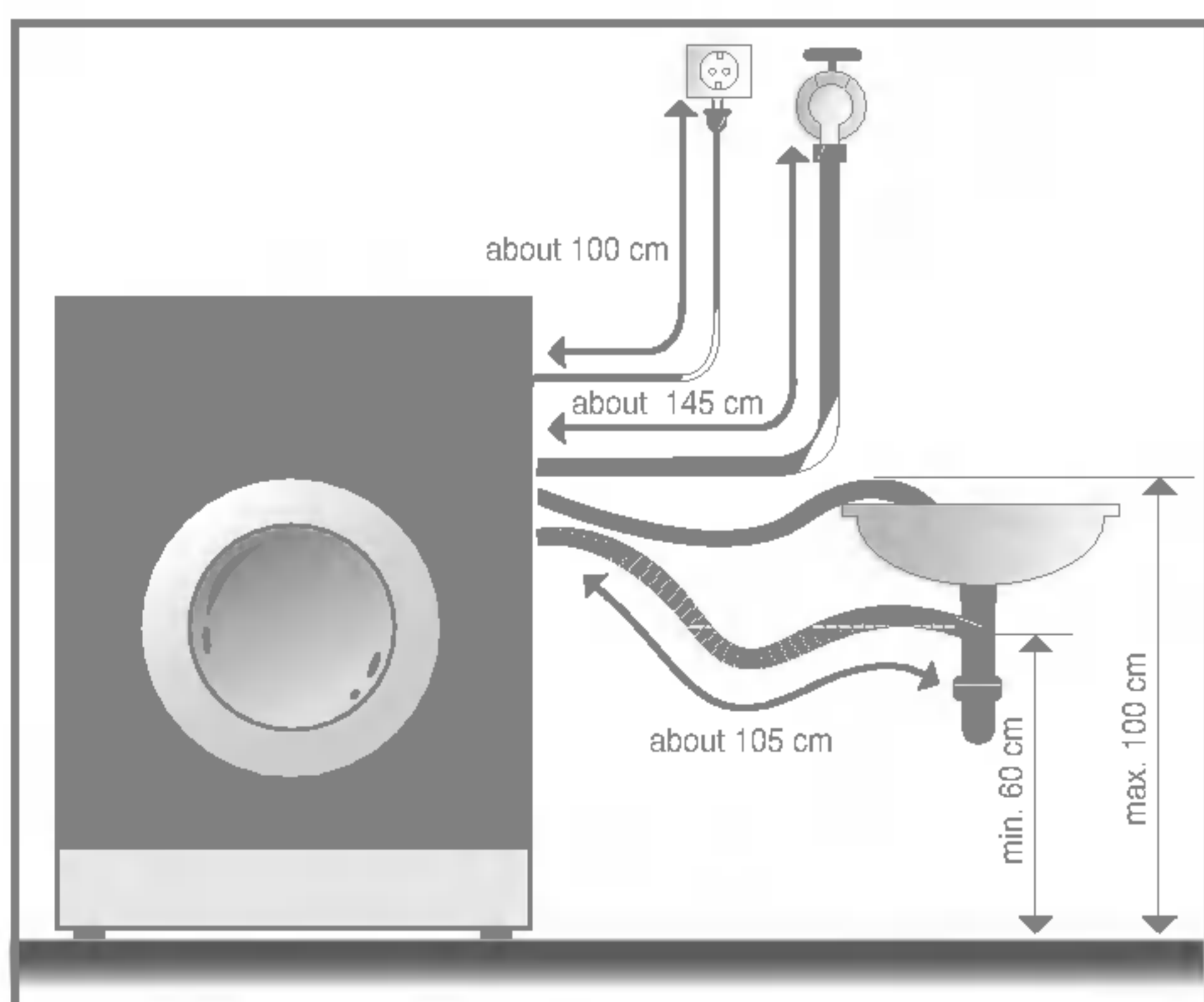
- ▶ Разрешено налягане на водата: 0,3-10 kgf/cm<sup>2</sup>(30-1000kPa)
- ▶ Не оголвайте и смачквайте маркуча, който ще включите в изходния клапан.
- ▶ Ако налягането на водата е по-голямо от регламентирането, използвайте уред за декомпресия.
- Към всяка тръба има приложени гумени пръстени, които предотвратяват изливане на вода.
- Проверете водното напрежение като завъртите входящия клапан до крайно затворено положение.
- Периодично следете състоянието на маркучите и сменяйте при нужда.
- Внимателно проверете дали няма огъване или нарушение в целостта на маркучите.

Този уред не е предназначен за употреба в каравани и мобилни платформи.  
 Завъртете спирателния кран, ако уредът няма да се използва за дълъг период от време.  
 Ако уредът няма да се използва повече, отстранете основните кабели и дезактивирайте механизма за заключване на вратата.  
 Всички опаковачни материали трябва да бъдат отстранени; Предотвратете достъпа на деца до опаковачните материали.

## ■ Инсталиране на отточния маркуч.

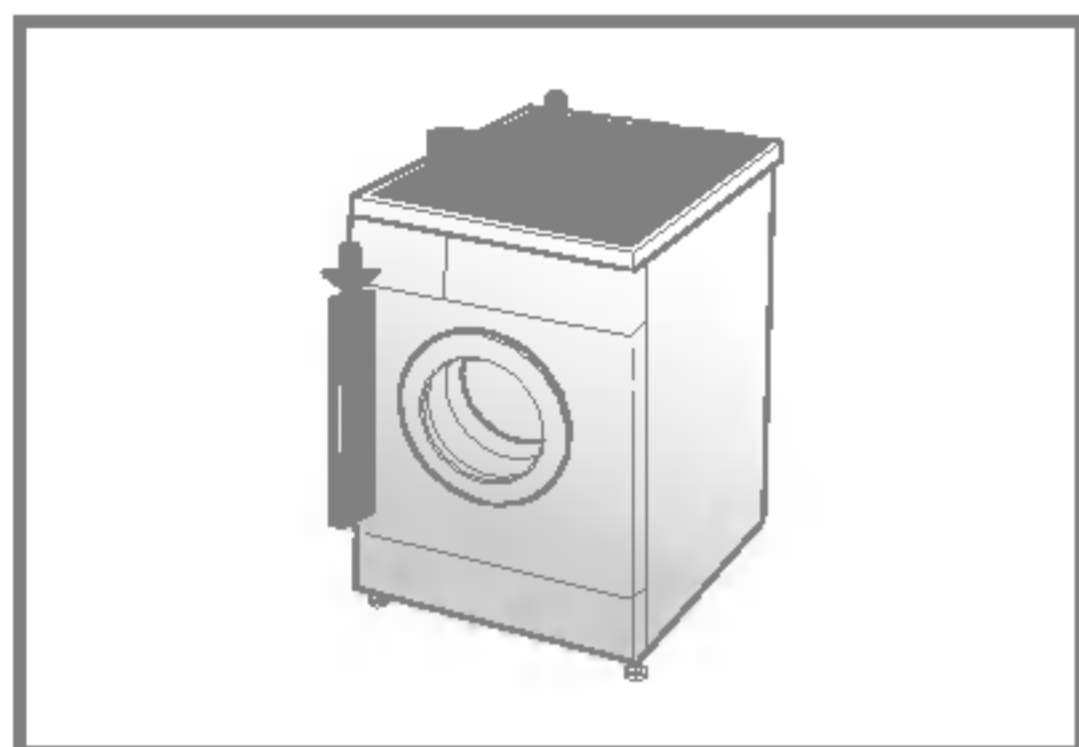


- Когато не сте свързали отводния маркуч в канализацията трябва да осигурите неподвижно захващане на свободния му край.
- Неподвижността ще предотврати наводнения.



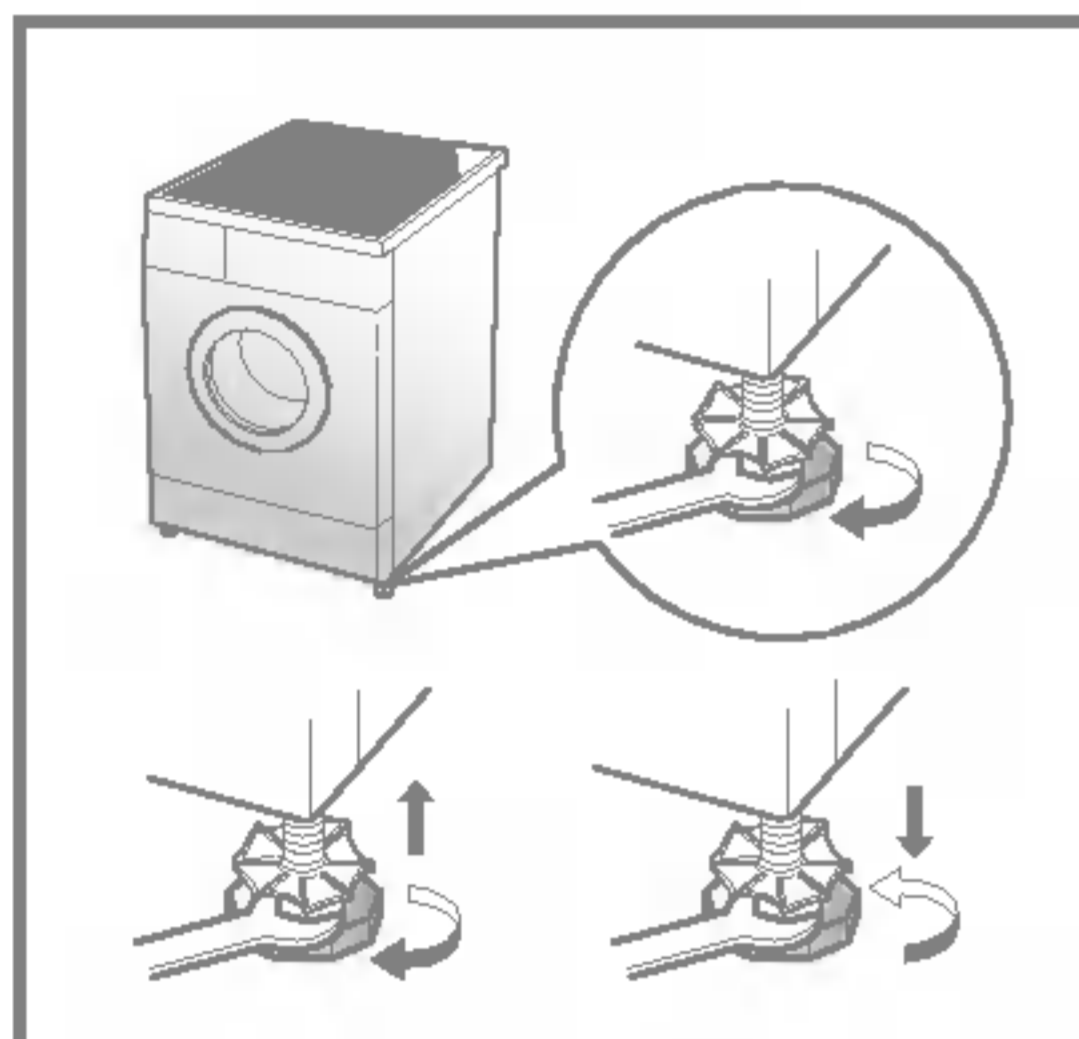
- Отводният маркуч не трябва да се свързва с канала на височина по-голяма от 100 см от пода.
- Здравото захващане на маркуча ще предотврати наводнение.
- Ако отводният маркуч е прекалено дълъг не напъхвайте в пералнята, защото това ще увеличи много нивото на шума.

## ■ Нивелация



1. Правилната нивелация на пералнята предотвратява повишаването на нивото на шума, както и вибрациите. Инсталирайте уреда на равна и солидна основа, препоръчително в ъгъла на стаята.

**NOTE** Под от дюшеме или плаващ под могат да способстват за появяването на прекалено силни вибрации и дебаланс.

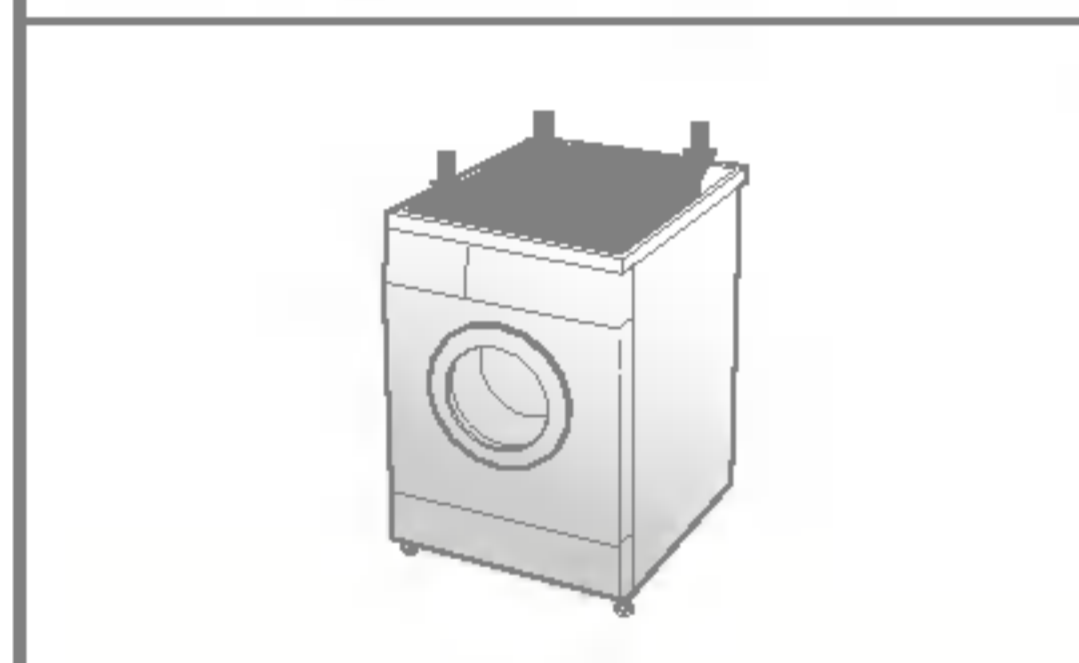


2. Ако подът не е достатъчно гладък, използвайте крачетата за нивелация, за да изравните уреда. Не пъхайте никакви предмети под крачетата, с цел да нивелирате по-добре. Убедете се, че крачетата са стабилизиращи на повърхността.

\* След като нивелирате пералнята, затегнете застопоряващите гайки към основата на пералнята. Всички гайки трябва да бъдат затегнати.

**NOTE** В случай че пералната машина е монтирана на повдигната платформа, тя трябва да бъде закрепена здраво, за да се предотврати опасността от падане.

\* За да проверите дали сте нивелирали добре уреда, натиснете от горната страна, диагонално.  
Ако уредът не се клати, значи сте нивелирали достатъчно добре.



## ■ Бетонни подове

- Монтажната повърхност трябва да бъде чиста, суха и равна.
- Монтирайте пералнята върху равен твърд под.

## ■ Подове с плочки (хлъзгави подове)

- Поставете всеки крак върху подложките против хлъзгане и нивелирайте машината. (Изрежете подложки против хлъзгане с размери 70 x 70 мм и залепете парчетата върху сухите плочки, където ще се постави машината).

\* Подложките против хлъзгане са от самозалепващ се материал, използван при стълби и стъпала за предотвратяване на хлъзгането.

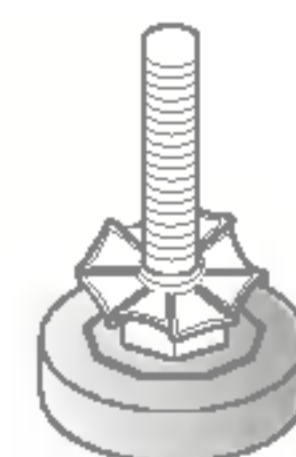
## ■ Дървени подове (плаващи подове)

- Дървените подове са особено податливи на вибрации.
- За предотвратяване на вибрациите ви препоръчваме да поставите гумени чашки с дебелина поне 15 мм под всеки крак на пералнята, закрепена с болтове поне към 2 греди на пода.
- Ако е възможно, инсталирайте пералнята в някой от ъглите на стаята, където подът е по-стабилен.

\* Поставете гумени чашки, за да предотвратите вибрациите.

\* Можете да получите гумени чашки (кат. № 4620ER4002B) от отдела за резервни части на LG.

Гумено капаче



- Правилното поставяне и нивелиране на пералнята осигурява дълга, нормална и надеждна работа.
- Пералнята трябва да бъде в абсолютно хоризонтално положение и да стои стабилно на мястото си.
- Тя не трябва да се клати напред-назад по диагоналите на краката си при натоварване.
- Монтажната повърхност трябва да бъде чиста, без паркетин или друга смазка.
- Не позволявайте краката на пералнята да се намократ. Ако краката на пералнята се намократ, тя може да започне да се хлъзга.

# А КАКВО ДА СЕ ПОГРИЖИМ ПРЕДИ ПРАНЕ

## ■ Преди първото пране

Изберете цикъл (Бяло 60°C и зареждане с половината количество перилен препарат), оставете уреда да пере без заредено пране. Това ще отстрани наслоенията върху барабана, които може да са останали по време на производството.

## ■ КАК ДА ПОДГОТВИМ ДРЕХИТЕ ЗА ПРАНЕ.

### 1. Етикети

Прочетете внимателно етикетите на дрехите за пране. Това ще Ви насочи за материята, както и за условията, при които дрехите трябва да се перат.

### 2. Сортиране

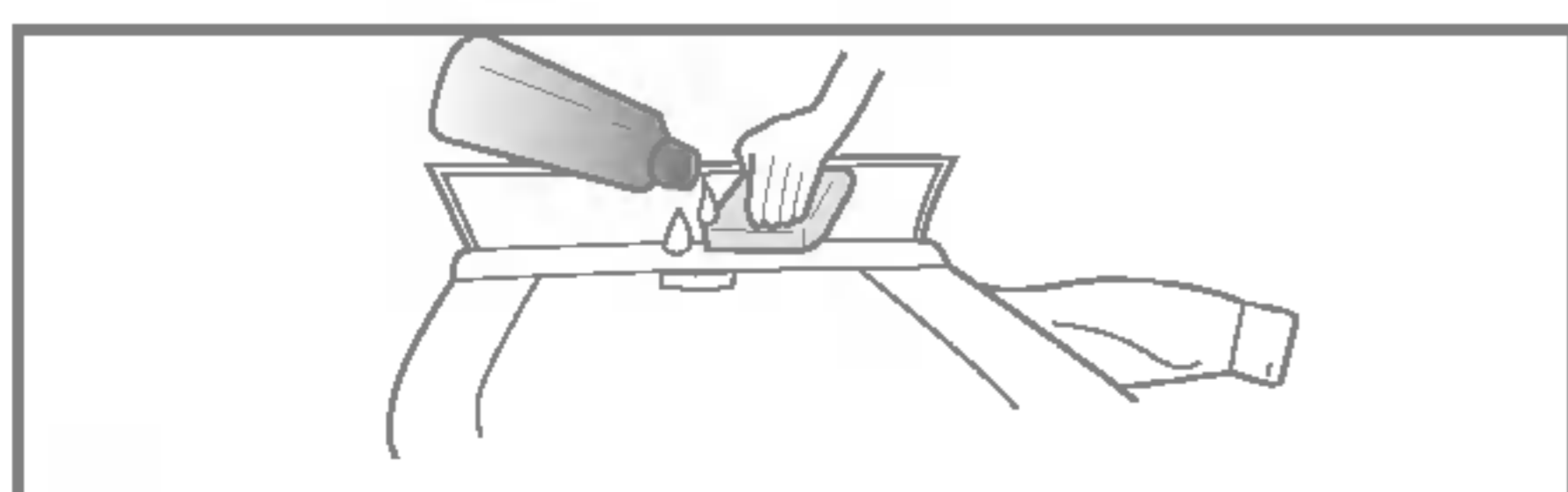
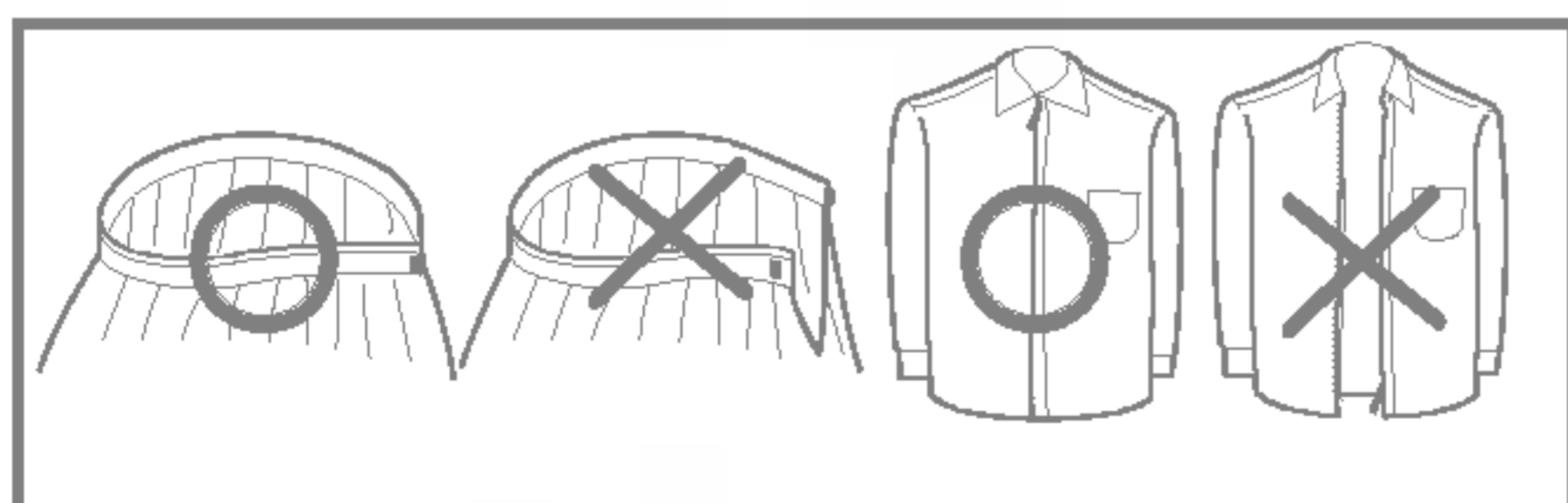
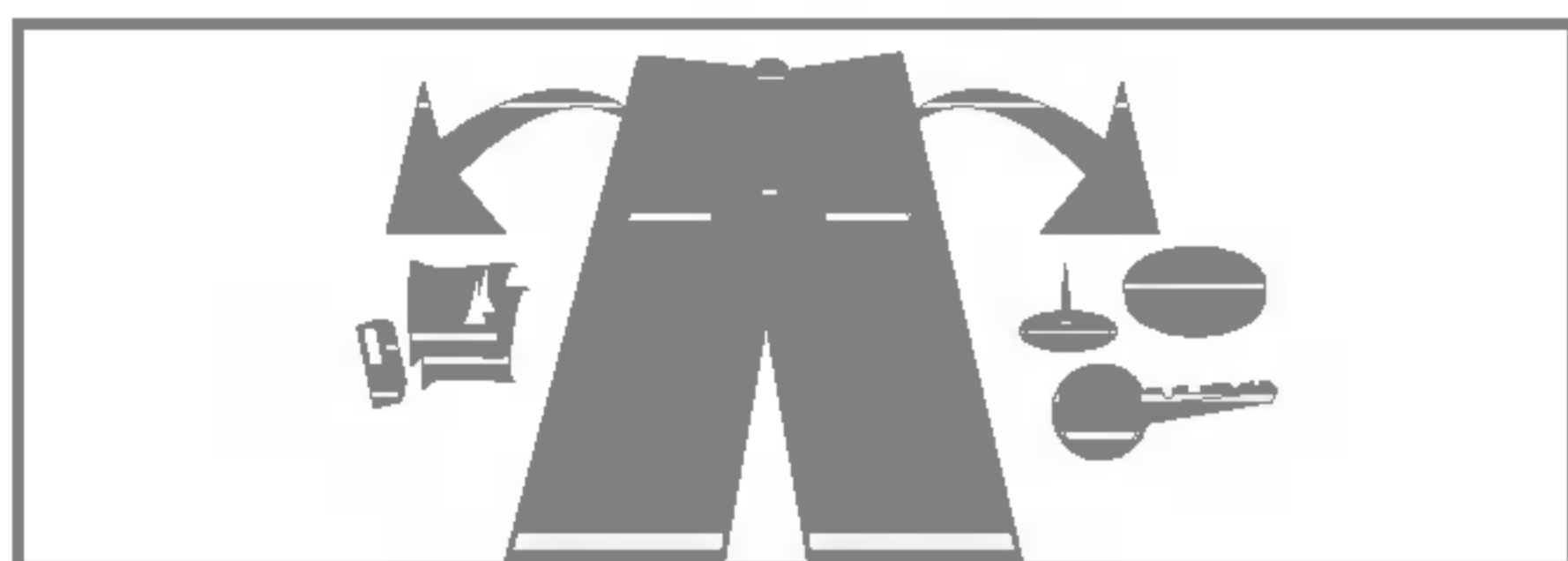
За да постигнете оптимални резултати сортирайте/разпределяйте дрехите според това, кои биха могли да се перат на една и съща програма. Температурата на водата и оборотите на центрофугиране са различни при различните програми, по причина на това, че различните материали, трябва да се перат по различен начин. Винаги отделяйте наситените тъмни от по-светлите и бели дрехи. Перете ги отделно, тъй като тъмните цветове могат да предизвикат оцветяване на светлите дрехи. Ако е възможно перете отделно слабо и силно замърсените дрехи.

Замърсяване/силно, средно, слабо/  
Цвят/бяло, светло, тъмно/  
Мъх/ които имат мъх и такива,  
по които се лепят мъхове/

Разделяйте силно и слабо замърсените дрехи.  
Разделяйте белите от цветните дрехи.  
Разделяйте.

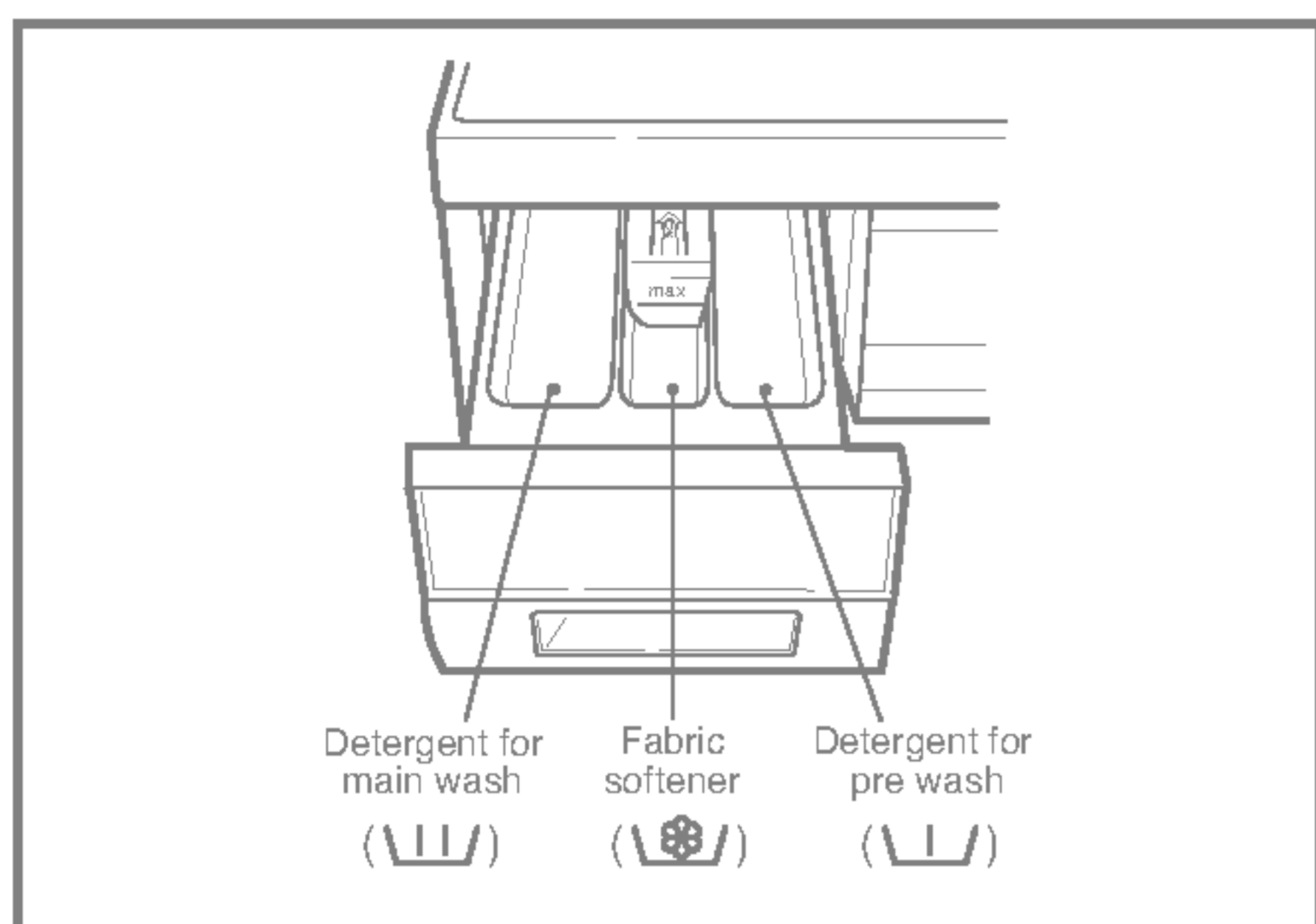
### 3. Преди да заредите пералнята.

- Комбинирайте при зареждане големи и по-малки неща. Наредвайте по-големите първо по-големите късове. Те не трябва да бъдат повече от половината от прането.
- Избягвайте да перете само един къс. Това може да дисбалансира машината и да повиши нивото на шума и вибрациите.



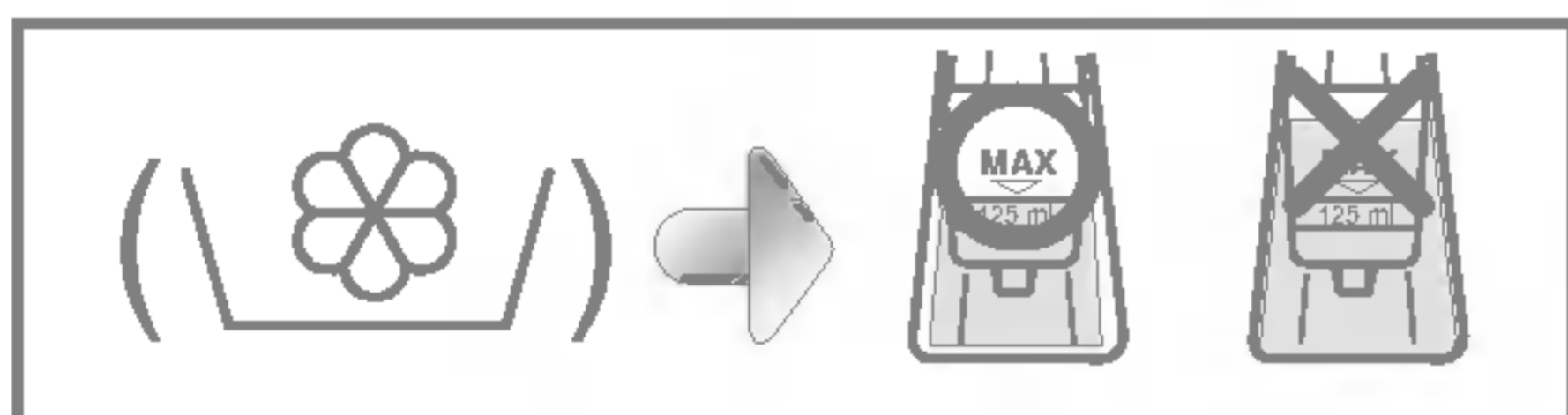
- Проверете внимателно всички джобове за да сте сигурни, че са празни. Остри и метални предмети, могат да причинят не само повреда на пералнята, но и да развалят дрехите Ви.
- Затворете циповете, закопчайте копчетата и се убедете, че няма да се захванат за други дрехи.
- Предварително обработете най-замърсените участъци на дрехите/маншети и яки/ с подходящ концентриран препарат.

## 1. Кутия за препарат



- В най.лявото отделение поставете прах при програма без предпране. ➔ (三)
- В лявото и дясното чекмедже поставете препарат, ако сте избрали цикъл с предпране. ➔ (三) . (三)

## 2. Добавяне на омекотител.



- Никога не сипвайте повече омекотител от отбелязаното ниво. Това може да предизвика по-ранно попадане на омекотител върху дрехите и да ги повреди.
- Не оставяйте неизползувания омекотител в чекмеджето да срок по-дълъг от 2 дни.
- Омекотителят се добавя автоматично по време на прането.
- Не отваряйте чекмеджето, докато пералнята зарежда с вода.
- Не използвайте обезцветяващи продукти.
- \* Никога не изсипвайте омекотителя директно върху дрехите.

## 3. Дозиране на препаратата.

- Винаги следвайте инструкциите, отбелязани на кутията на препаратата от завода-производител.
- Ако предозирате праха, това може не само да увреди прането, но и да създаде условия за претоварване на мотора.
- Използвайте само такива прахообразни перилни продукти, на които е изрично отбелязано, че се употребяват за пране в автоматично перални.
- Количеството на препаратата, трябва да е съобразено и с количеството на зареденото в пералнята пране.
- Препаратът се измива от чекмеджето в началото на перилния цикъл.

## ■ Препоръчителни условия за пране на различните материи и цветовете.

Програма	Материя	Темп.	Опции	К-во	Време
Бяло (☼)	Лесно боядисващо се пране (ризи, спално бельо, нощници...) и бели памучни тъкани (бельо...)	60°C [30°C, 40°C, 95°C]	Изплакване с медицинска грижа (☼)	7.0 kg	100
Икономичен режим (Ⓜ)	вида на прането е еднакво с това на бяло пране.	60°C	Интензивно (☼) Допълнително плакнене (☼+) Предпране (☼)	7.0 kg	115
Синтетика (△)	Полиамид, Акрил, полиестер	40°C [30°C, 60°C]	Без мачкване (☼)	4.0 kg	70
Деликатно пране (☼)	Коприна, передета	30°C [Студена вода(*), 40°C]	Интензивно (☼) Допълнително плакнене (☼+)	3.0 kg	55
Ръчно пране/ Вълна (☼/☼)	"Ръчно пране" се използва за деликатно и вълнено пране.	Студена вода(*) [30°C, 40°C]	Без мачкване (☼)	3.0 kg	50
Бързо пране 30C (☼)	Цветно пране, лесно избеляващи цветове	30°C	Изплакване с медицинска грижа (☼) Интензивно (☼)	2.0 kg	30
Грижа за бебето (☼)	бебешко пране	95°C (60°C)	Допълнително плакнене (☼+) Без мачкване (☼)	6.0 kg	140

\* Икономичен режим – когато избирате тази функция, Вие намалявате температурата, времето за пране и по този начин икономисвате енергия.

\* Изплакване с медицинска грижа – за висока ефективност или по-голяма чистота при операцията по изплакване можете да изберете опцията Изплакване с медицинска грижа.

\* Интензивно : Ако прането е силно замърсено, ефикасно е използването на опция "Интензивно".

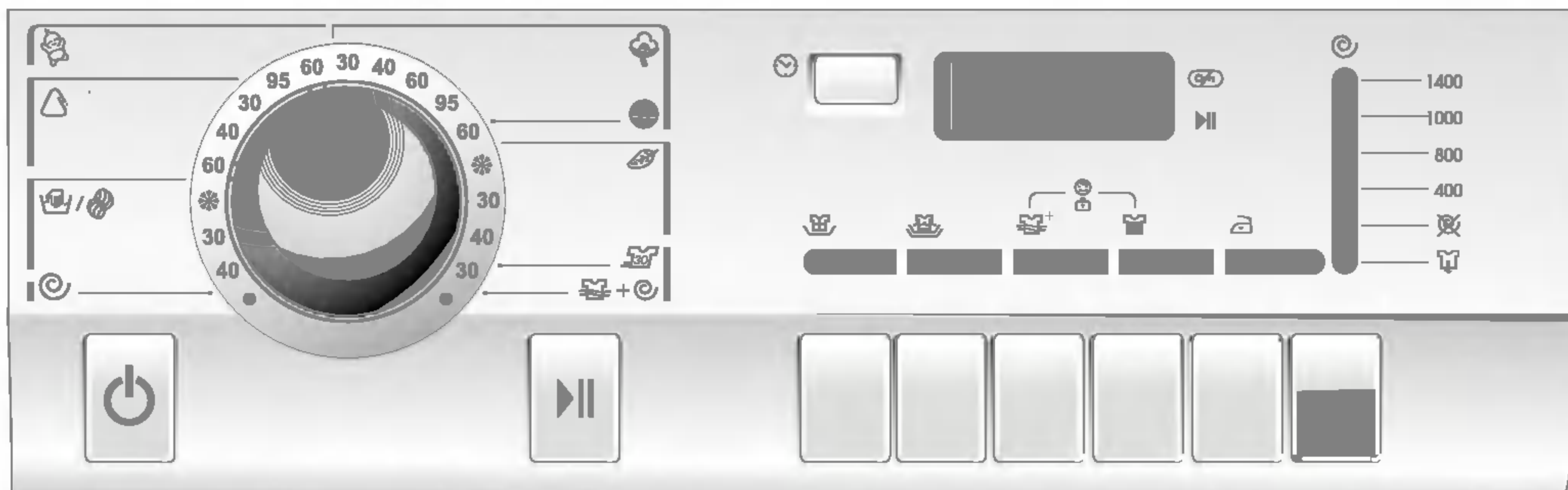
\* Настройка на програмата с опция "Интензивно" за тестване съгласно или в съответствие с EN60456 и IEC60456.

\* Предпране – Когато прането е много силно замърсено. Този цикъл е предвиден в програмите за пране на Бяло, Биогрижа, Грижа за бебето, Синтетика пране.





\* Допълнително плакнене : Когато е избрана тази функция тя добавя плакнене повече, отколкото е задължително в цикъла, с цел по-пълно отстраняване на препарата/използвайте при пране на бебешки дрехи/

\* Без мачкване : Ако искате да предотвратите мачкането, натиснете бутон Без мачкване.



## АК ДА ИЗПОЛЗУВАМЕ ПЕРАЛНЯТА



### 1. За да използвате някоя желана от Вас програма/напр. Цветно пране/:

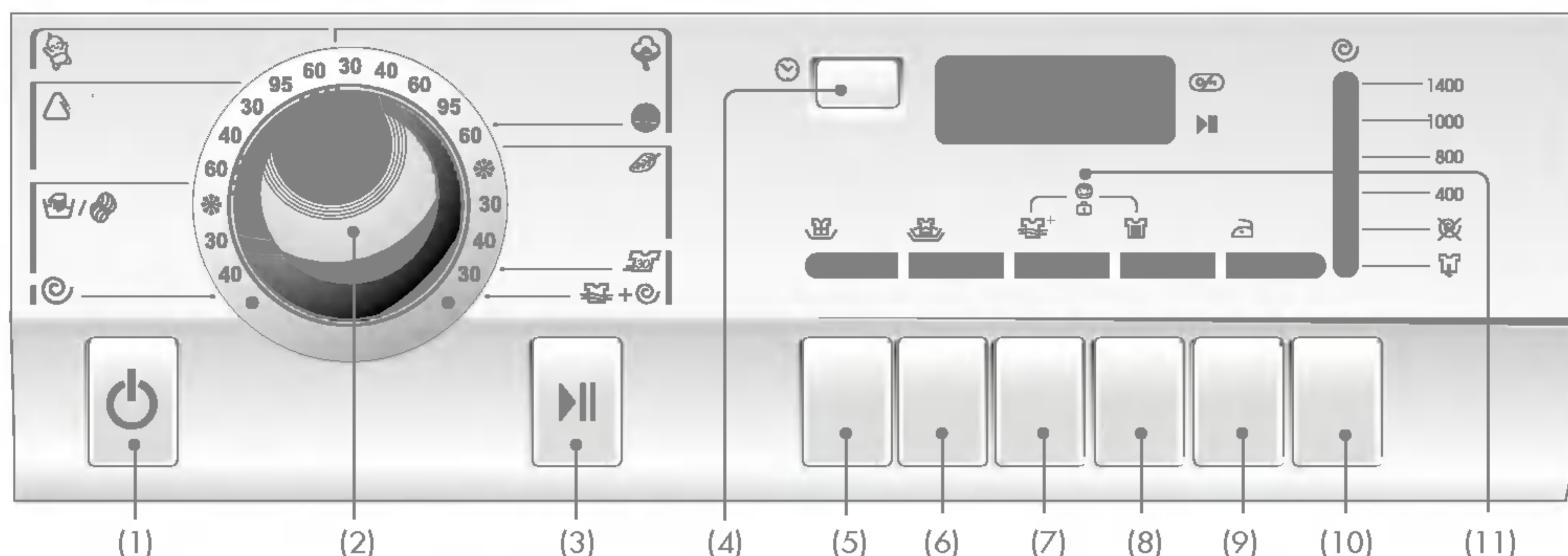
- Натиснете бутона **Включване** (  ).
- Натиснете бутона **Старт/Пауза** (  ).
- Определят се автоматично тези условия:
  - *Пране / само основно пране*
  - *Плакнене : 3 пъти*
  - *Центрофуга (  ):*
    - 1400 оборота. [WD-14230(5)ТВ]*
    - 1200 оборота. [WD-12230(5)ТВ]*
    - 1000 оборота. [WD-10230(5)ТВ]*
  - *Температура на водата : 60°C*
  - *Програма-Бяло (  )*

### 2. Ръчно избиране на условията за пране:

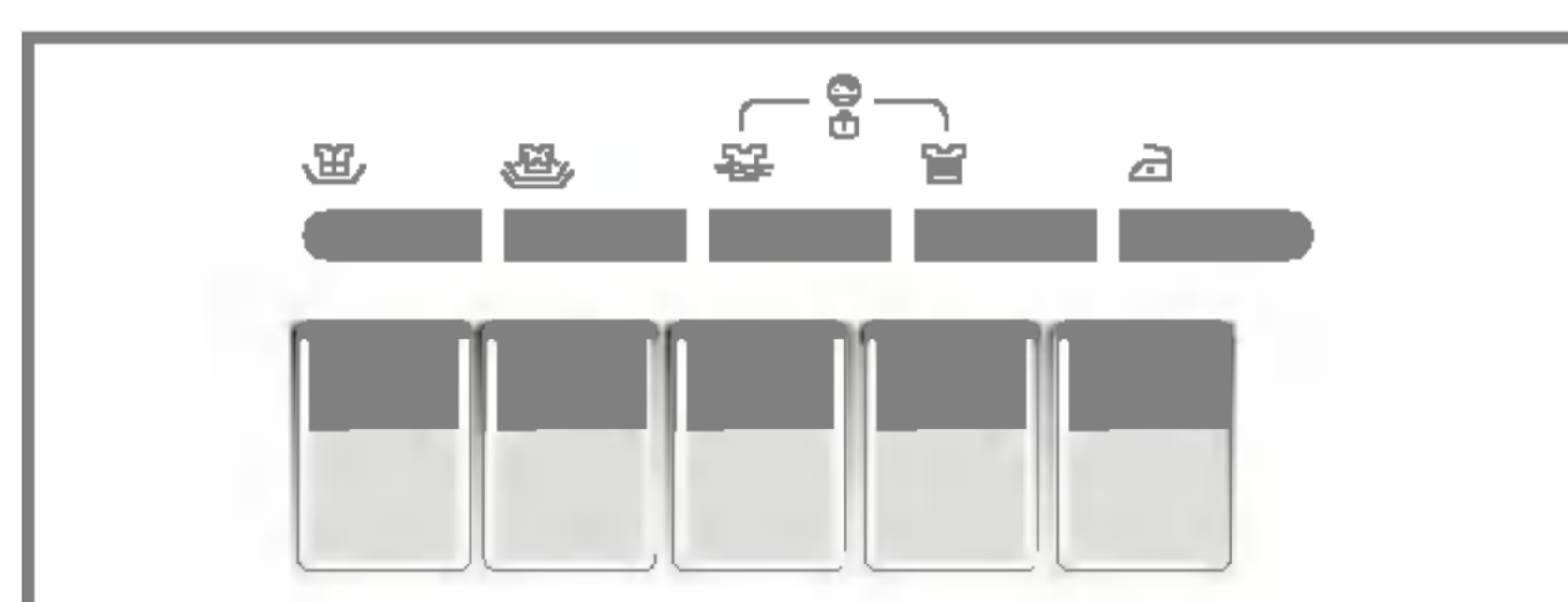
- Натиснете бутона **Включване** (  ).
- Изберете желаните от Вас условия за пране.
- Натиснете бутона **Старт/Пауза** (  ).



# АК ДА ИЗПОЛЗУВАМЕ ПЕРАЛНЯТА



- |                   |                                   |                        |
|-------------------|-----------------------------------|------------------------|
| (1) Включване     | (5) Изплакване с медицинска грижа | (9) Без мачкване       |
| (2) Програма      | (6) Интензивно                    | (10) Центрофуга        |
| (3) Старт/Пауза   | (7) Допълнително плакнене         | (11) Детско заключване |
| (4) Забавен старт | (8) Предпране                     |                        |



- Натискайки Опции бутона, можете да изберете от всички налични функции.
  - Изплакване с медицинска грижа ( )
  - Интензивно ( )
  - Без мачкване ( )
  - Предпране ( )
  - Допълнително плакнене ( )

## 1. Изплакване с медицинска грижа ( )

- за висока ефективност или по-голяма чистота при операцията по изплакване можете да изберете опцията Изплакване с медицинска грижа.
- Тя може да бъде избрана за всички цикли, с изключение на Ръчно пране/Вълна, Деликатно пране.

## 2. Интензивно ( )

- Ако прането е силно замърсено, ефикасно е използването на опция "Интензивно".
- Чрез избиране на опция Intensive времето за пране може да се удължи в зависимост от избраната програма

## 3. Допълнително плакнене ( )

- Когато е избрана тази функция тя добавя плакнене повече, отколкото е задължително в цикъла, с цел по-пълно отстраняване на препаратите/използвайте при пране на бебешки дрехи

## 4. Предпране ( )

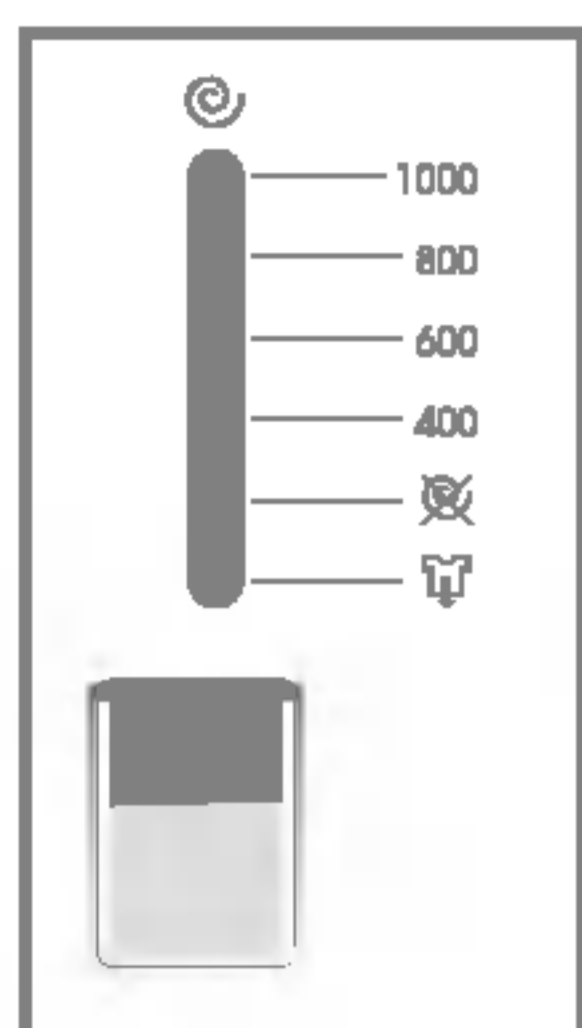
- Когато прането е много силно замърсено. Този цикъл е предвиден в програмите за пране на Бяло, Икономичен режим, Синтетика пране.

## 5. Без мачкване ( )

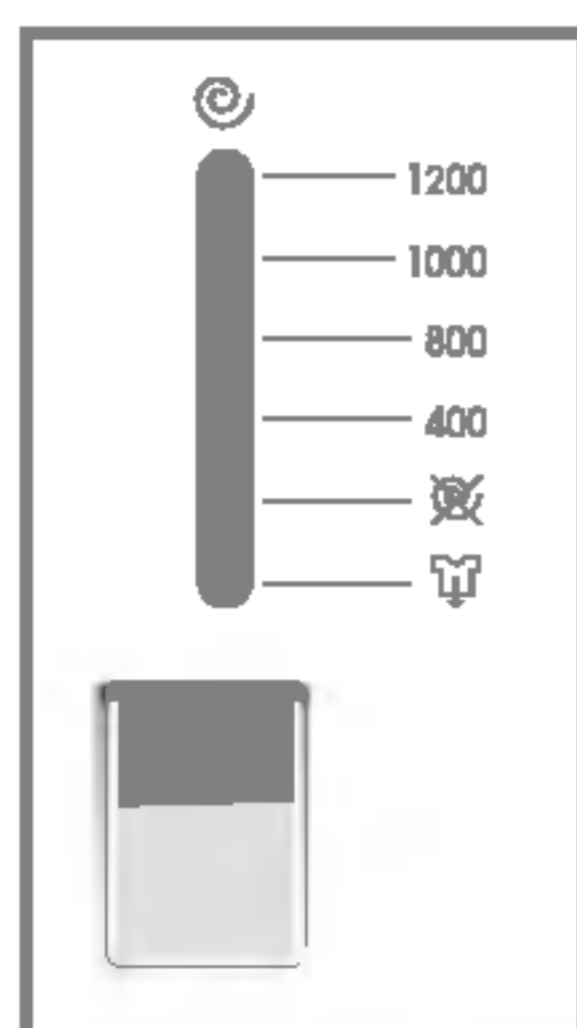
- Ако искате да предотвратите намачкването на дрехите, натиснете този бутон.

*Функцията е избрана, когато светне светодиода.*

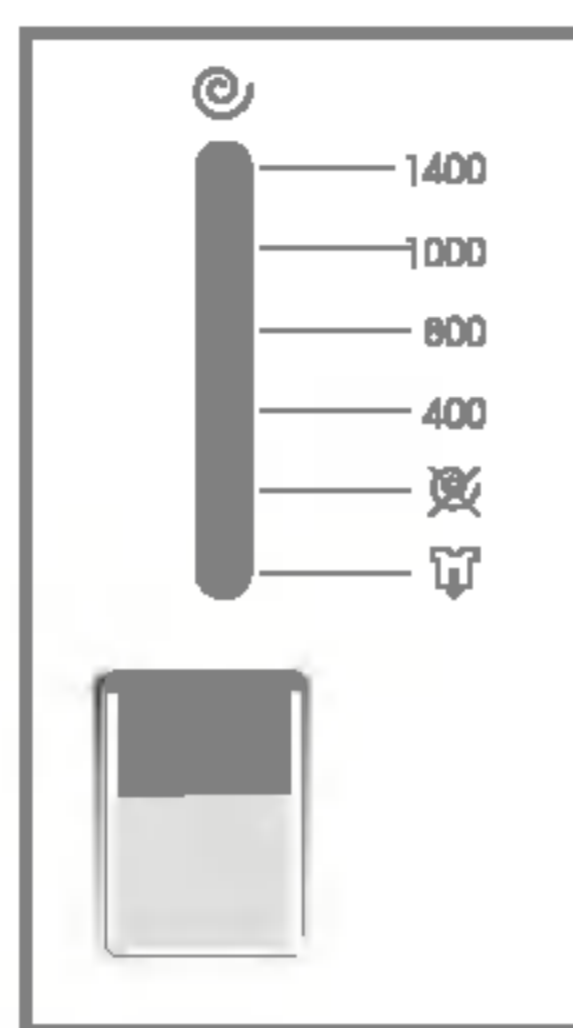
# АК ДА ИЗПОЛЗУВАМЕ ПЕРАЛНЯТА



[WD-10230(5)TB]



[WD-12230(5)TB]



[WD-14230(5)TB]

- Когато натиснете бутона центрофуга, можете да регулирате скоростта на центрофугиране.

## 1. Избор на центрофуга.

- Скоростта на центрофугиране, която можете да изберете, съобразно модела на пералнята и в зависимост от модела, се променя, както следва:
- **WD-10230(5)TB**
  - Бяло (☁), Икономичен режим (Ⓢ), Центрофуга (Ⓢ), Плакнене + Центрофуга (☁ + Ⓢ), Синтетика (△), Бързо пране 30C (30), Ръчно пране/Вълна (☁/Ⓢ), Грижа за бебето (👶)  
☁ - Ⓢ - 400 - 600 - 800 - 1000
  - Деликатно пране (🍃)  
☁ - Ⓢ - 400 - 600 - 800
- **WD-12230(5)TB**
  - Бяло (☁), Икономичен режим (Ⓢ), Центрофуга (Ⓢ), Бързо пране 30C (30), Плакнене + Центрофуга (☁ + Ⓢ)  
☁ - Ⓢ - 400 - 800 - 1000 - 1200
  - Синтетика (△), Ръчно пране/Вълна (☁/Ⓢ), Грижа за бебето (👶)  
☁ - Ⓢ - 400 - 800 - 1000
  - Деликатно пране (🍃)  
☁ - Ⓢ - 400 - 800
- **WD-14230(5)TB**
  - Бяло (☁), Икономичен режим (Ⓢ), Центрофуга (Ⓢ), Бързо пране 30C (30), Плакнене + Центрофуга (☁ + Ⓢ)  
☁ - Ⓢ - 400 - 800 - 1000 - 1400
  - Синтетика (△), Ръчно пране/Вълна (☁/Ⓢ), Грижа за бебето (👶)  
☁ - Ⓢ - 400 - 800 - 1000
  - Деликатно пране (🍃)  
☁ - Ⓢ - 400 - 800

## 2. Без центрофуга (☁)

- Когато изберете тази функция, тя не центрофугира прането след като изпразни водата.

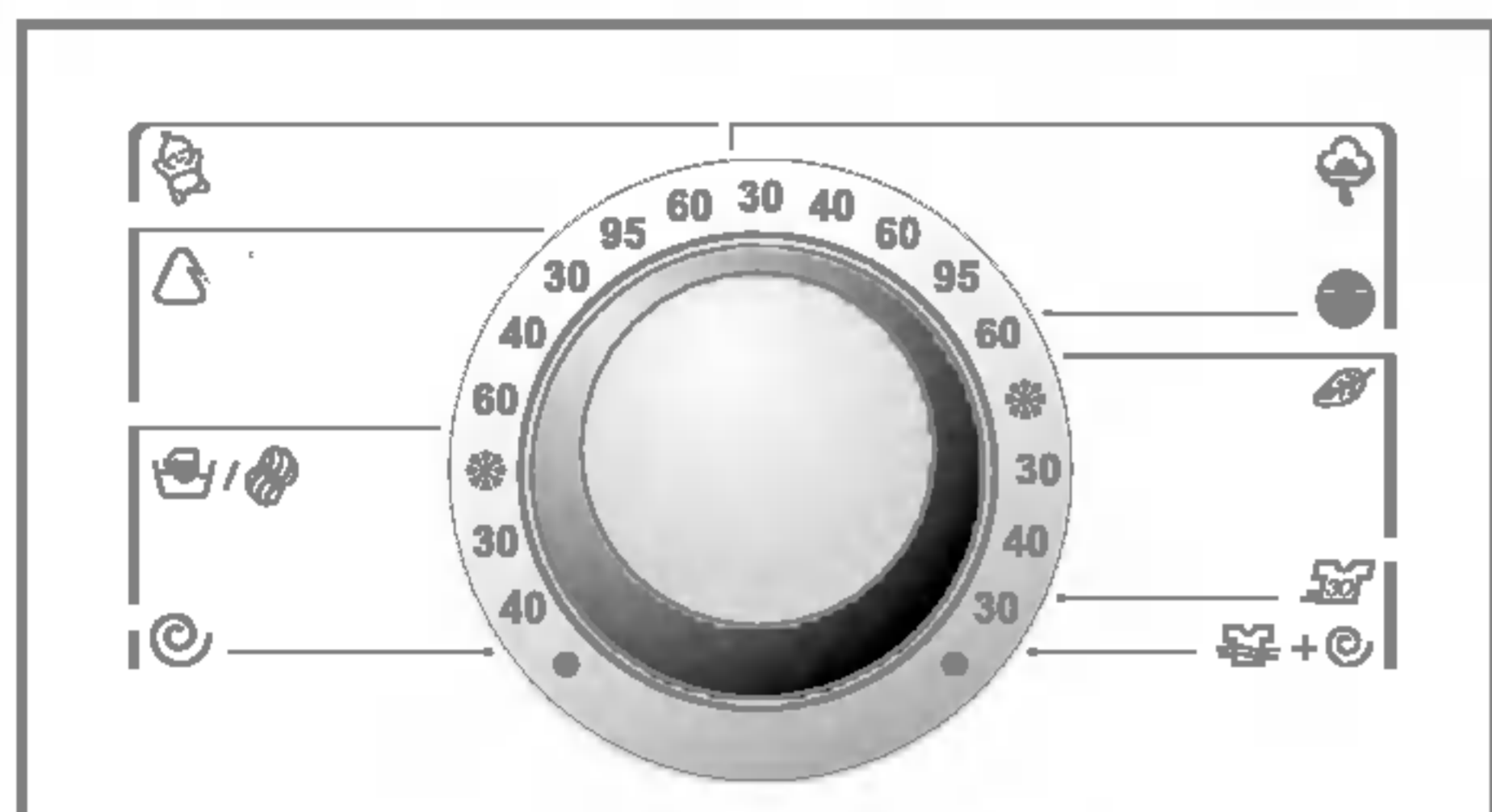
## 3. Без изплакване (☁)

- Избира се чрез последователно натискане на бутона за центрофугата; дрехите остават в машината без да се пускат на центрофуга.
- За да зададете сушене, или центрофуга, след като функцията без изплакване е завършена, използвайте бутона на центрофугата на желаната програма.

*Функцията е избрана, когато светне светодиода.*

# АК ДА ИЗПОЛЗУВАМЕ ПЕРАЛНЯТА

## ТЕМПЕРАТУРА НА ВОДАТА



- Температурата на водата може да бъде избрана, завъртайки програмния бутон.

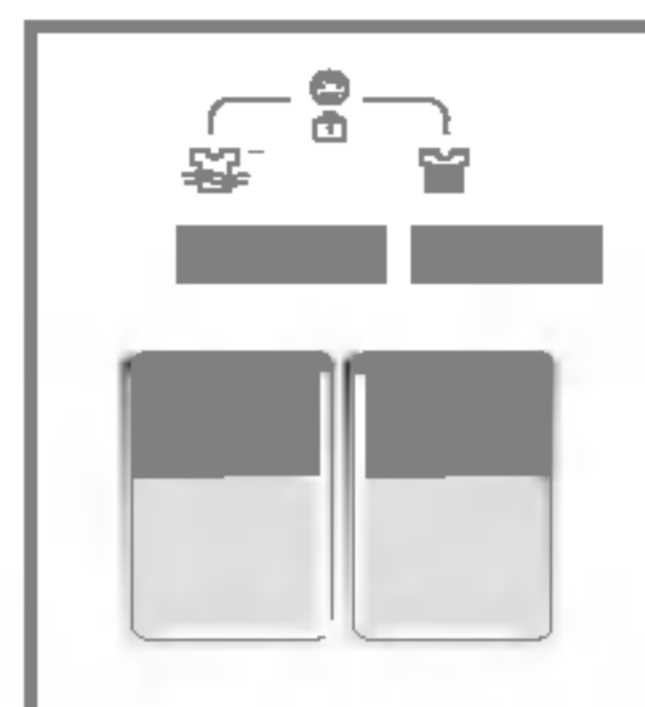
- Студена вода ( ❄ ).

- 30°C / 40°C / 60°C / 95°C.

## 1. ТЕМПЕРАТУРА НА ВОДАТА

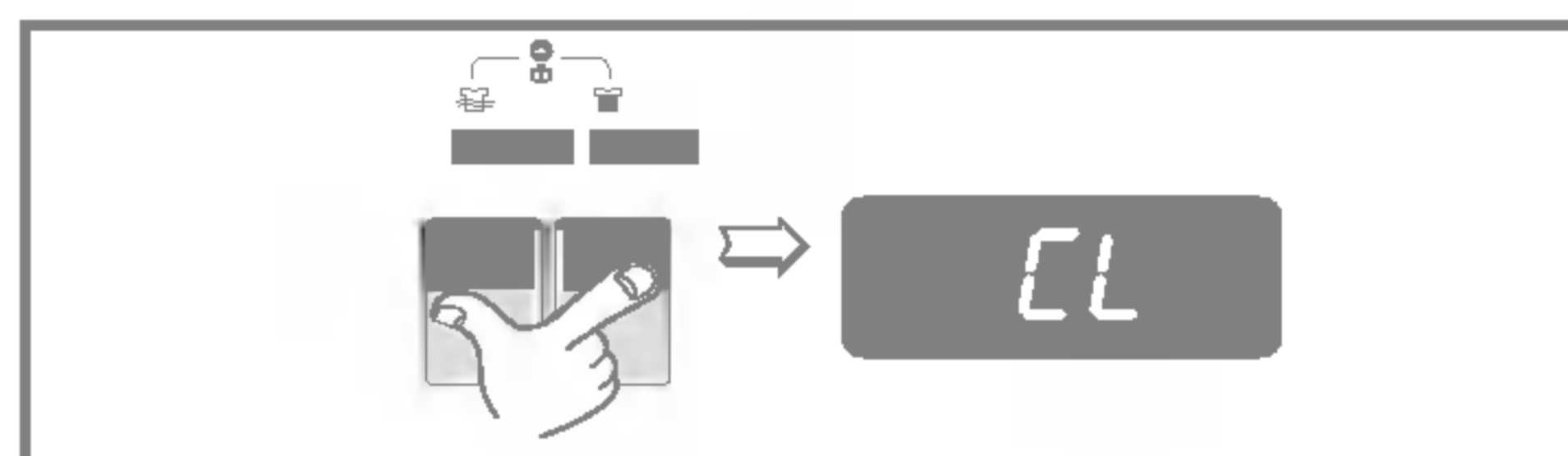
- Температурата на водата се избира за всяка програма, както следва:

*При избиране на съответната температура светва светодиода.*

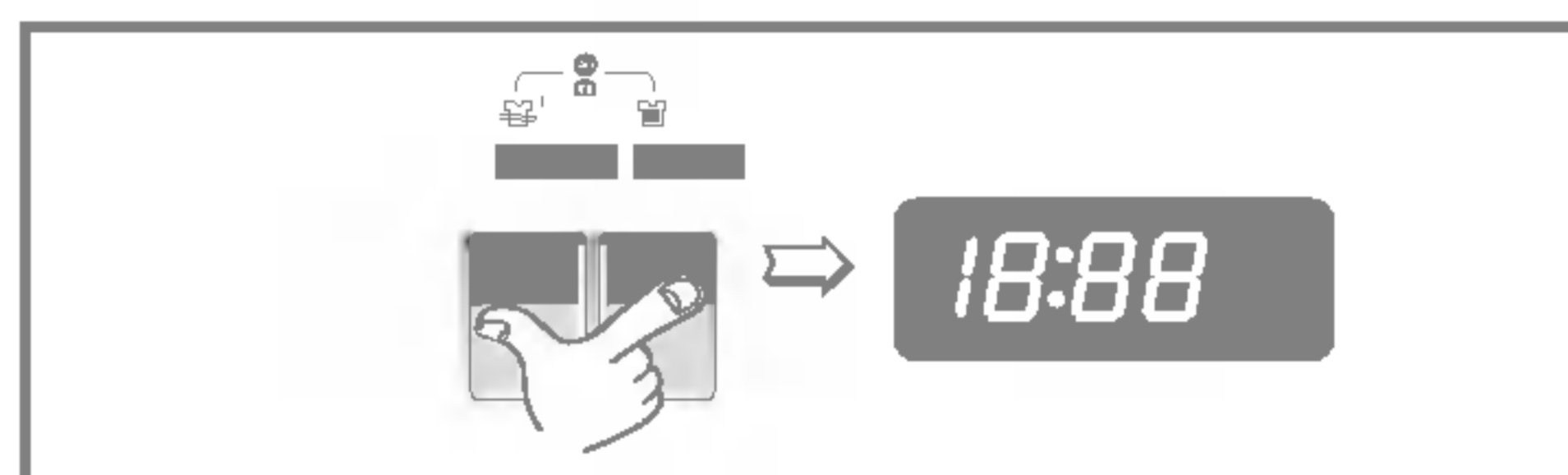


Ако искате да заключите контролното табло с цел да се избегне случайна промяна в цикъла, например, ако пипне дете, можете да използвате тази функция.

- Включването на тази функция се извършва, чрез едновременното натискане на бутоните за Изплакване с **Допълнително плакнене** ( ❄<sup>+</sup> ) и **Предпране** ( 🧼 ).

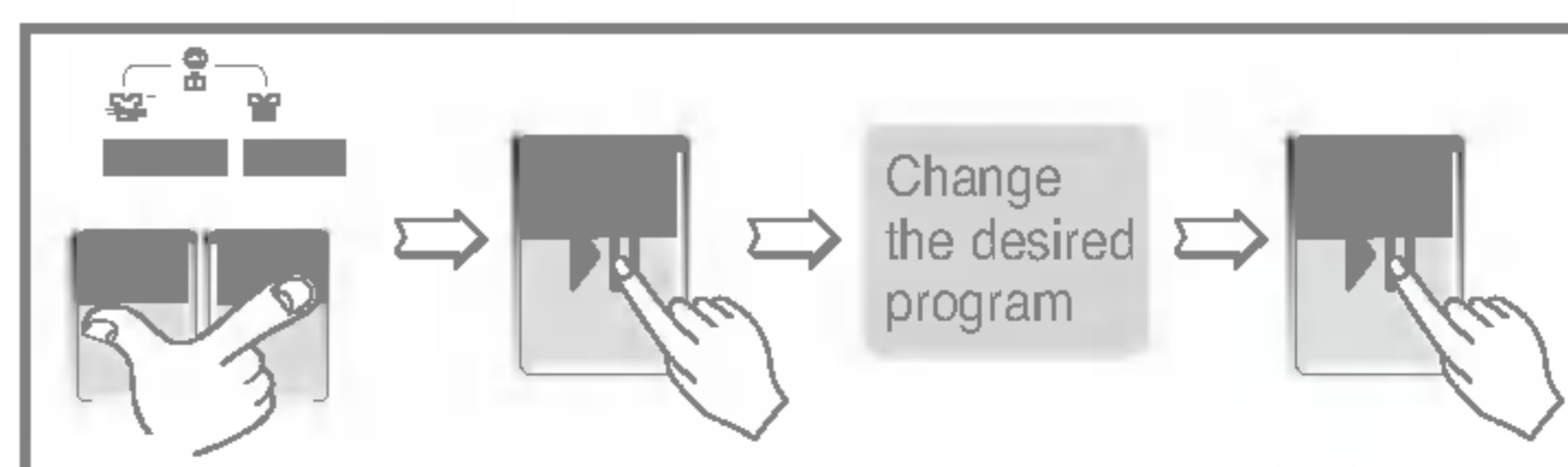


- Когато е активирана функцията "Родителски контрол", всички бутони са дезактивирани, без бутонът за включване.
- Дезактивирайте я като натиснете отново едновременно бутоните **Допълнително плакнене** ( ❄<sup>+</sup> ) и **Предпране** ( 🧼 ).



- Ако пожелаете да изберете някаква функция, когато "Детското заключване" е активирано, направете следното:

1. Натиснете бутоните за **Допълнително плакнене** ( ❄<sup>+</sup> ) и **Предпране** ( 🧼 ) едновременно.
2. Натиснете **Старт/Пауза** ( ▶|| ).
3. Изберете желаната от Вас програма и натиснете отново **Старт/Пауза** ( ▶|| ).



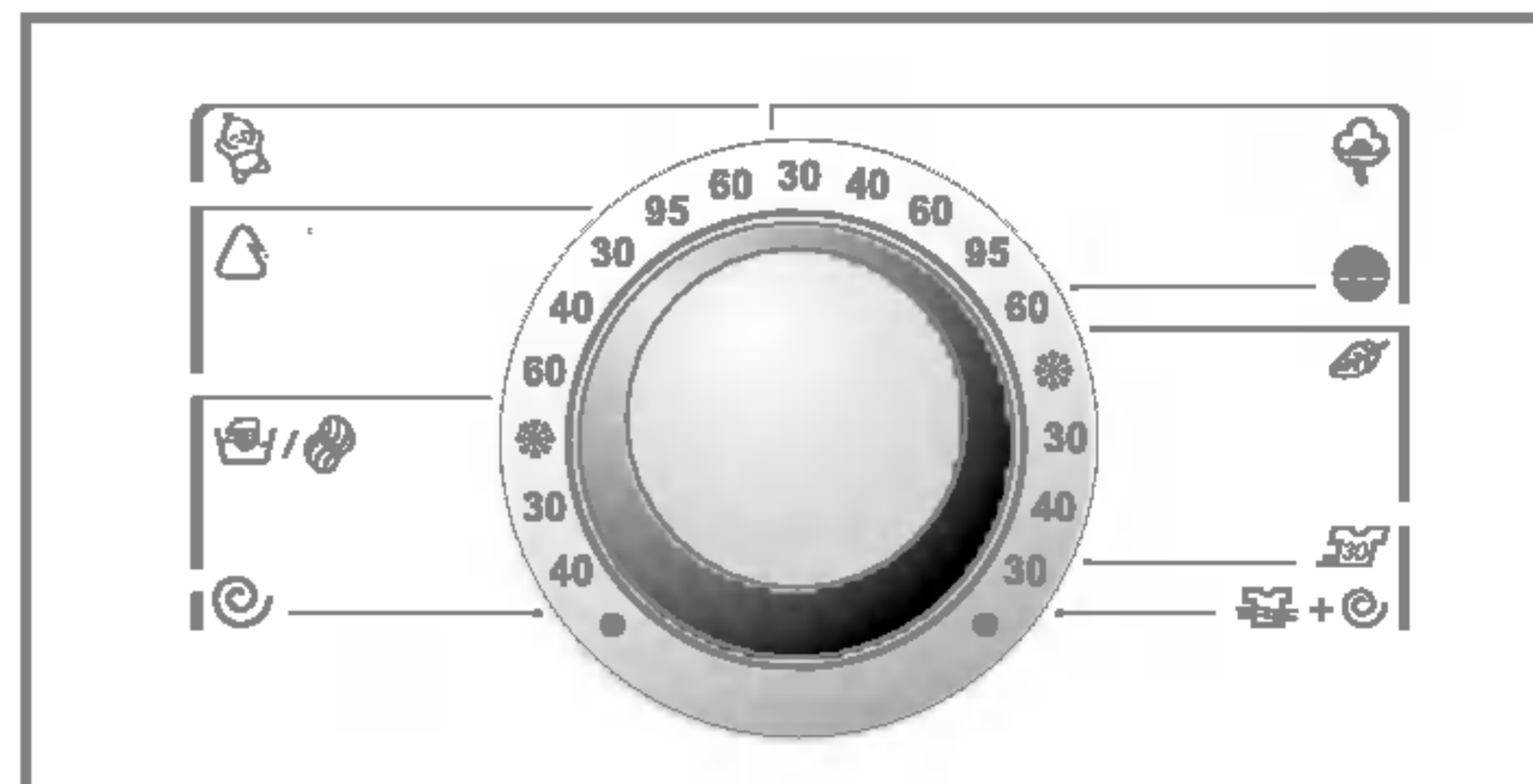
- Можете да избирате тази програма по всяко време, дори и ако пералнята е изключена.

# АК ДА ИЗПОЛЗУВАМЕ ПЕРАЛНЯТА



*За да подготвите този цикъл на пране, следвайте следните инструкции:*

- Пуснете водата.
  - Пъхнете прането и затворете врата.
  - Поставете прах за пране и омекотител.
- Как да използваме "Забавен старт".
    - Натиснете бутона Натиснете бутона **Включване** (⏻).
    - Натиснете програматора, за да изберете исканата от **Вас програма**.
    - Натиснете бутона "Забавен старт" и изберете желаното от Вас време на забавяне.
    - Натиснете **Старт/Пауза** (▶||).
  - Ако натиснете този бутон на функцията "Забавен старт" веднъж, автоматично се избира забавяне от 3 часа. Максималното време за забавяне е 19 часа. При всяко следващо натискане на бутона, времето за забавяне се увеличава с 1 час.
  - Имайте предвид, че посоченото време е ориентировъчно. Всичко зависи от налягането на водата и нейната температура.

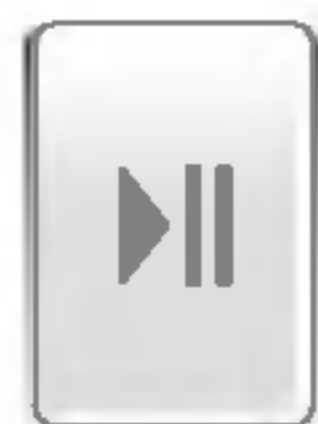


- Вашата пералня разполага с 9 различни програми, с които да изпирате различни видове пране.

## ПРОГРАМИ

- Вашата пералня е конструирана така, че когато натиснете бутона Старт/Пауза (▶||), Автоматично избира цикъл на пране "Бяло".
- Програмите се сменят при завъртане на програматора, както следва:
  - **Бяло** (☁)
  - **Икономичен режим** (⊖)
  - **Деликатно пране** (🌸)
  - **Бързо пране 30C** (⚡)
  - **Плакнене + Центрофуга** (⚙️ + ⊖)
  - **Грижа за бебето** (👶)
  - **Синтетика** (△)
  - **Ръчно пране/ Вълна** (👐 / 🌊)
  - **Центрофуга** (⊖)

# АК ДА ИЗПОЛЗУВАМЕ ПЕРАЛНЯТА



## 1. Старт

- Този бутон се използва за започване на избран перилен цикъл.

## 2. Пауза

- Ако желаете да стопирате за известно време пералнята, докато тя пере, можете да направите това чрез натискане този бутон.
- Ако не направите друго, пералнята се самоизключва 4 минути след като сте я стопирали.
- **NB.** Вратата няма да се отвори до 1-2 мин., ако е избрана Пауза, или в края на цикъла на пране.



- Светва, когато вратата на пералнята е заключена.
- Вратата може да се отключи чрез натискане на бутон Старт/Пауза, за да се спре пералнята.
- Вратата може да се отвори след кратко изчакване.



## 1. ВКЛЮЧВАНЕ

- Чрез натискане на този бутон включвате и изключвате пералнята.
- Този бутон също може да се използва, за да канцелирате избрана от Вас функция.

## 2. Встъпителна програма

- Натиснете бутона включване за включване и изключване.
- Пералнята е готова за програма Памук и другите встъпителни условия, както следва.
- Ако искате да стартирате прането без да сменяте програмата, натиснете бутона Старт/Пауза.

- *WD-10230(5)TB*

### Встъпителна програма

Програма за Бяло / 1000 оборота / 60°C

- *WD-12230(5)TB*

### Встъпителна програма

Програма за Бяло / 1200 оборота / 60°C

- *WD-14230(5)TB*

### Встъпителна програма

Програма за Бяло / 1400 оборота / 60°C

# АК ДА ИЗПОЛЗУВАМЕ ПЕРАЛНЯТА



## 1. Специални функции на дисплея.

- Когато е избрано “Детско заключване” на дисплея се изписва “CL”.
- Когато е избрана функция “Забавен старт” показва оставащото време до края на перилния цикъл.

## 2. Самодиагностика.

- Пералнята е в състояние да разпознае някои проблеми, след което да изпише на дисплея определен код, които означава, вероятният вид на проблема. Ето списък на тези кодове:
  - “PE” : Нарушения във водното налягане.
  - “FE” : Препълване с вода.
  - “dE” : Вратата не е затворена.
  - “LE” : Претоварване на мотора.
  - “SE” : Претоварване.
  - “IE” : Проблем с входящата вода.
  - “DE” : Проблем с изходящата вода.
  - “UE” : Проблем с балансирането.
  - “EE” : Проблем с температурата на водата.

## 3. Приключване на перилния цикъл.

- Когато перилният цикъл е приключил, на дисплея се изписва “End”.

## 4. Оставащо време

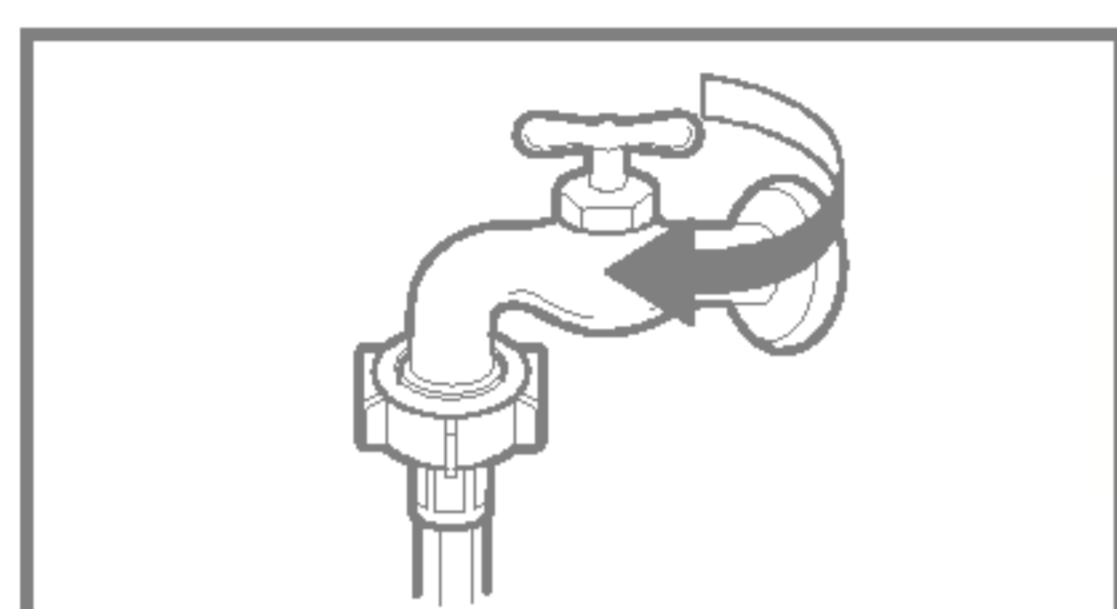
- По време на прането, на дисплея се изписва оставащото време до края на цикъла.
- Според производителя, приблизителната продължителност на перилния цикъл е както следва:
  - Бяло (☼) – 1,40 часа
  - Икономичен режим (⊕) – 1,55 часа
  - Синтетика (△) – 1,10 часа
  - Деликатно пране (☼) – 55 минути.
  - Грижа за бебето (☼) – 2,20 часа
  - Ръчно пране/Вълна (☼/☼) – 50 минути.
  - Бързо пране 30C (☼) – 30 минути.
  - Плакнене + Центрофуга (☼+⊕) – 18 минути.
  - Центрофуга (⊕) – 13 минути.
- Имайте предвид, че посоченото време е ориентировъчно. Всичко зависи от налягането на водата и нейната температура.
- Ако прането е дисбалансирано, това също може да увеличи времето за пране.

\* **ВИНАГИ КОГАТО ПОЧИСТВАТЕ ПЕРАЛНЯТА ВИНАГИ Я ИЗКЛЮЧВАТЕ ОТ ЕЛЕКТРИЧЕСКАТА МРЕЖА ЗА ДА ИЗБЕГНЕТЕ ВЪЗМОЖНОСТТА ОТ ТОКОВ УДАР.**

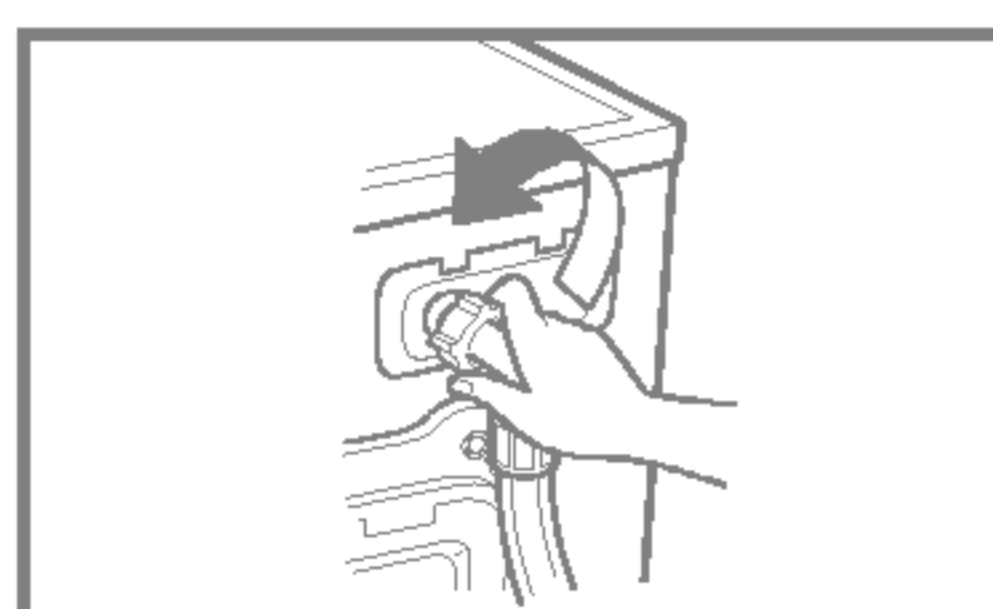
\* Ако уредът няма да се използва повече отстранете основните кабели и дезактивирайте механизма за заключване на вратата.

### ■ Почистване на входящата система за вода.

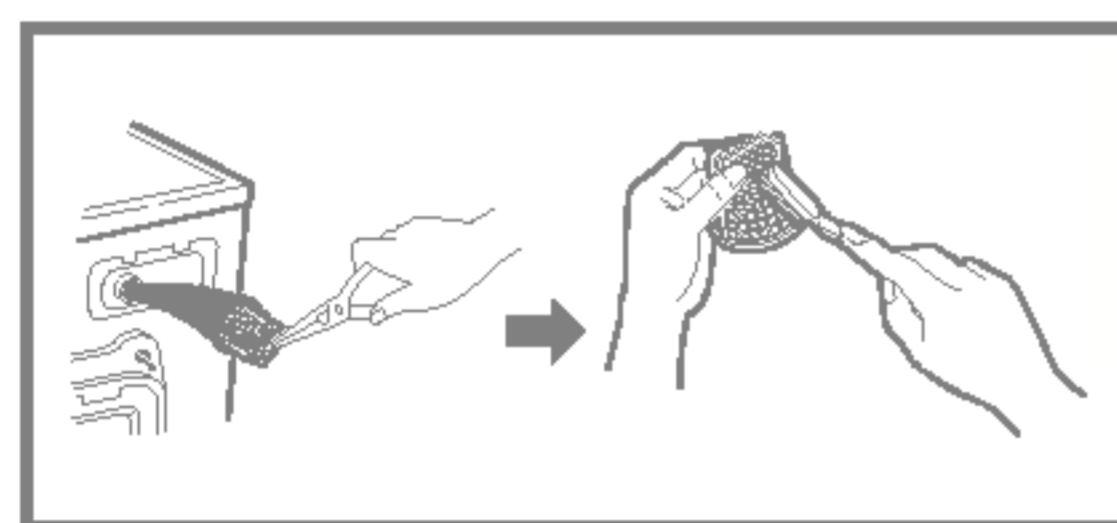
- " **!E** " Това съобщение, изписано на дисплея означава, че водата не достига до чекмеджето за препарат.
- Ако водата е прекалено "твърда" ,то частици варовик могат да запушат филтъра. Затова е добре при такива условия да почиствате от време на време филтъра.



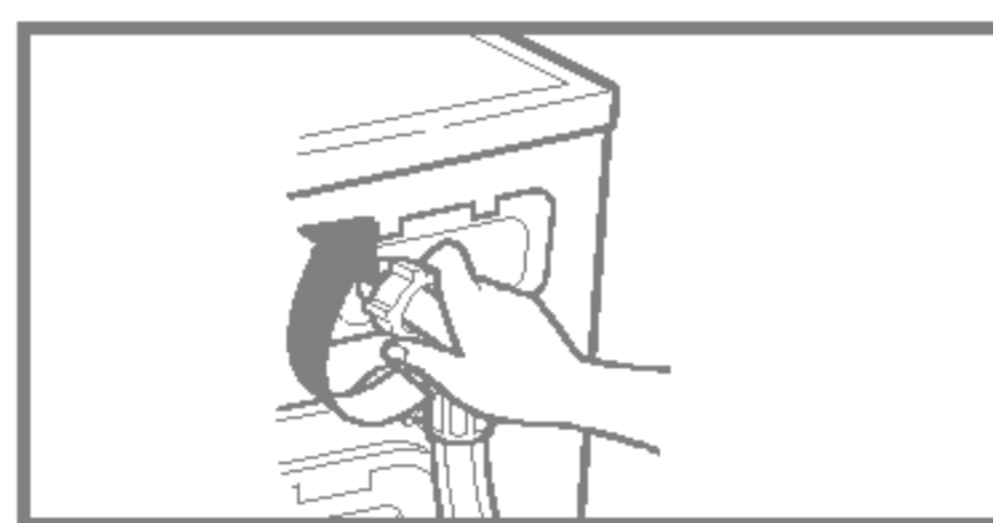
1. Изключете подаването на вода от крана.



2. Отвийте входящия маркуч от пералнята.



3. Почистете филтъра с помощта на твърда четка.



4. Върнете маркуча.

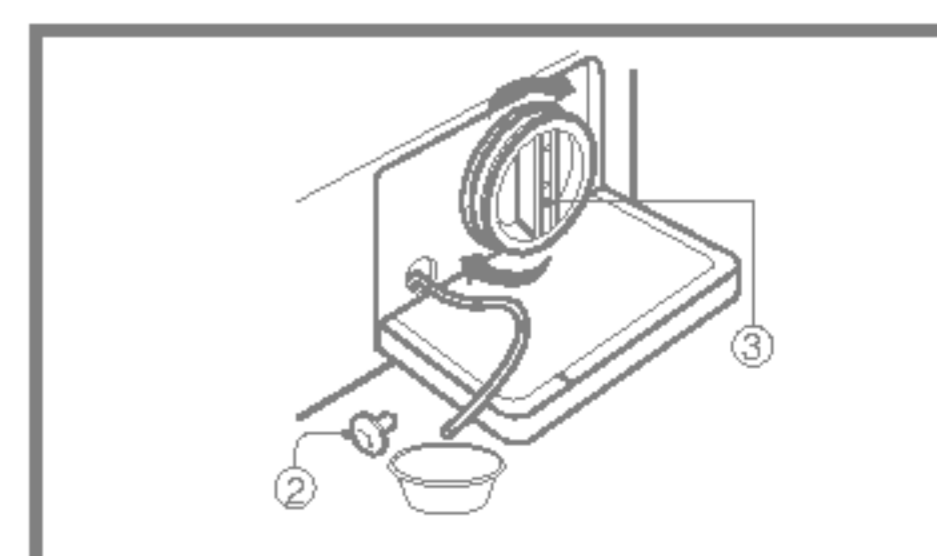
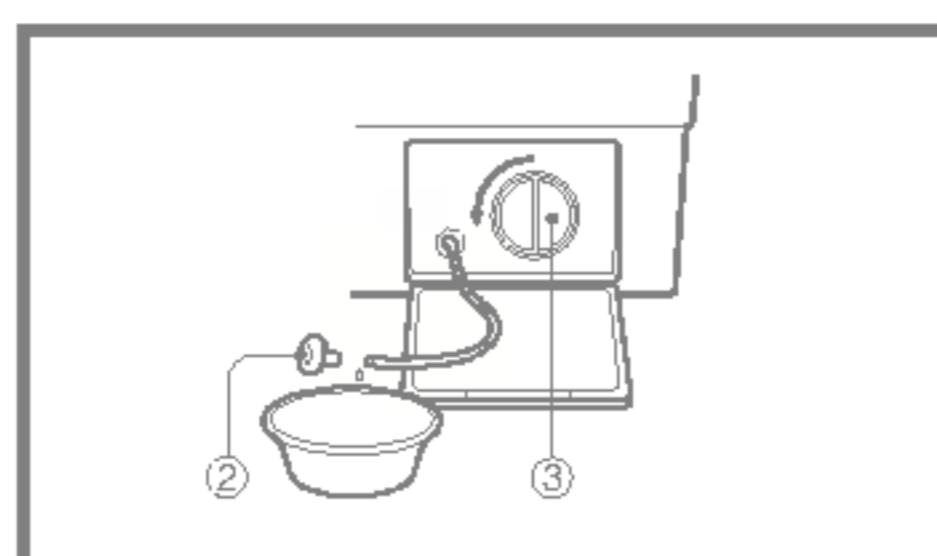
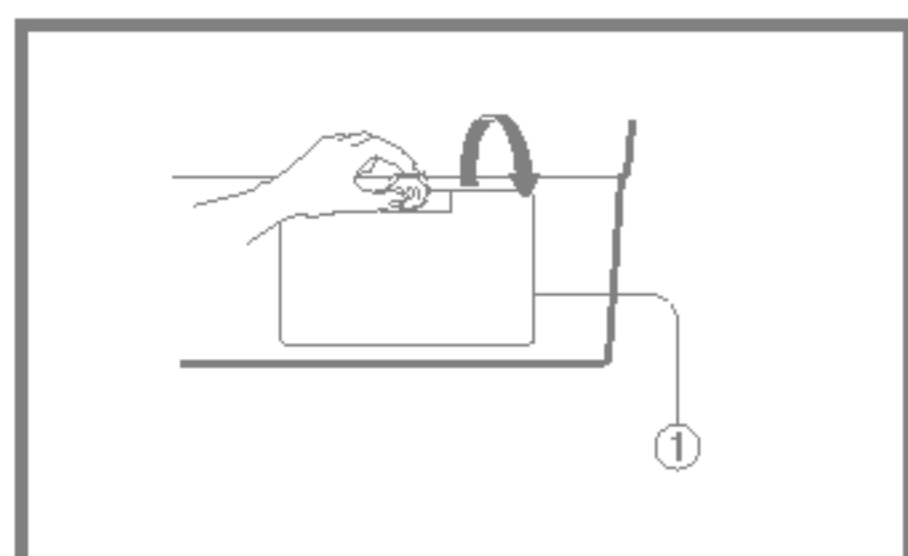
### ■ Почистване на филтъра на филтъра на изходящата вода.

\* Този филтър задържа мъхове, малки предмети и други боклуци, попаднали случайно в пералнята. Проверявайте регулярно неговото състояние.

▲ **ВНИМАНИЕ** Бъдете внимателни и вземете мерки преди да отворите филтъра, защото в него се задържа вода, която може да наводни пода. Почистването на филтъра се извършва така:

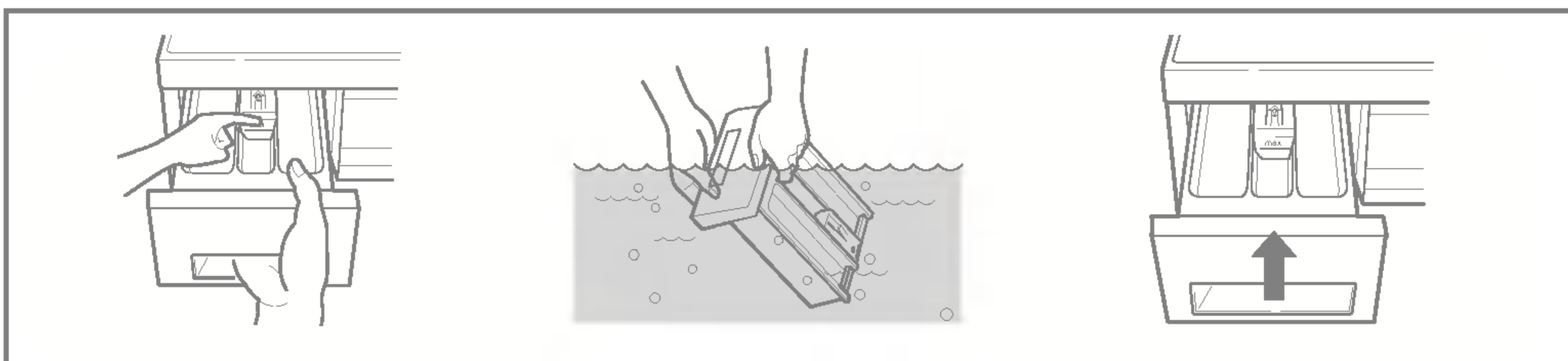
\* Ако искате да почистите отводняващата помпа, изчакайте известно време преди да отворите вратата на пералната.

1. Отворете долния капак **①** като използвате монета.Завъртете крана на филтъра **②** , за да го извадите.
2. Изключете маркуча, за да изтече водата. Поставете съд, за да избегнете наводнението на пода. Когато водата престане да изтича, завъртете **③** и отворете.
3. Извадете филтъра навън и почистете.**③** . След почистване върнете филтъра на мястото му, като го по посока на часовниковата стрелка,върнете **②** на мястото му затворете капака/1/.



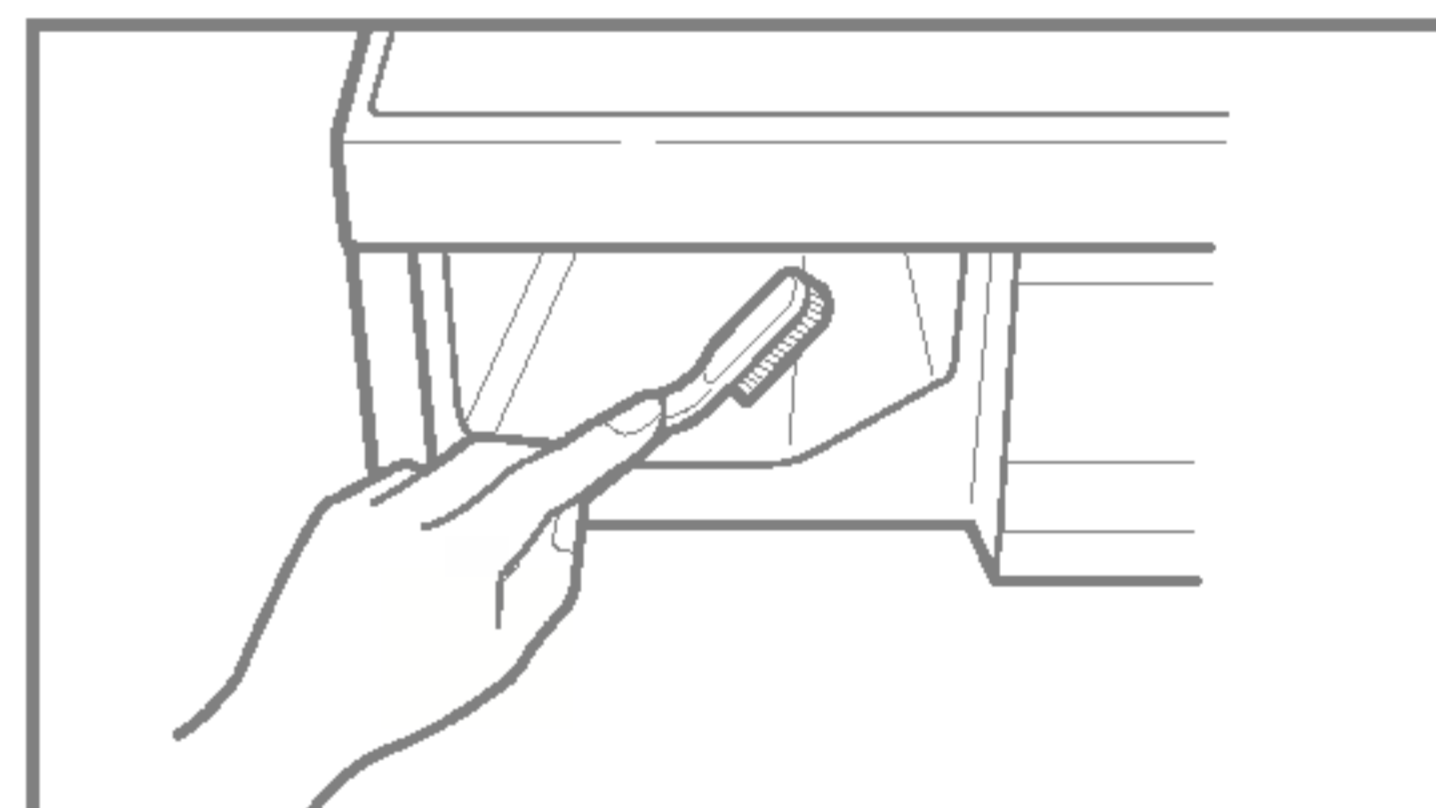
## ■ ПОЧИСТВАНЕ НА ЧЕКМЕДЖЕТО ЗА ПРЕПАРАТ

- \* Частици от препаратите и омекотителя остават в чекмеджето след всяко пране. По тази причина трябва да почиствате чекмеджето, като използвате за целта течаща вода.
- За да улесните работата си, можете да махнете капачето на отделението за омекотител.
- При изваждане на чекмеджето ще забележите, че в неговото гнездо също се събира препарат. Можете да го отстраните с помощта на четка.
- След като сте приключили с почистването е препоръчително да пуснете един перилен цикъл без да поставяте пране в барабана.



## ■ ПОЧИСТВАНЕ НА БАРАБАНА.

- \* Това почистване е задължително, ако живеете в район с "твърда" вода. Използвайте антиваровиков препарат, за да почиствате.
- Въпреки, че барабана е направен от неръждаема стомана, по него може да полепне ръжда, особено в случай в вътре е попаднала монета, ключ или друг метален предмет.
- Винаги, когато използвате белина или други препарати, предварително се уверете, че те са предназначени за пералня машина.
- Никога не използвайте домакинска тел, за да почиствате барабана.



## ■ Барабан на пералнята

- Ако живеете в район с твърда вода, може да се образуват наслагвания от варовик, на места, където не може да бъде забелязан и трудно може да бъде премахнат. С течение на времето може да се образуват наслагвания и да се наложи смяна на барабана.
- Въпреки че барабанът е направен от неръждаема стомана, възможно е да се образуват петна от ръжда, причинени от малки метални частици (кламери, безопасни игли), попаднали в барабана.
- Барабанът трябва периодично да се почиства.
- Ако използвате оцветяващи или избелващи препарати, уверете се, че са подходящи за употреба в пералнята. Премахвайте всички образували се петна с препарат за неръждаема стомана.



## ■ Почистване на пералнята отвън

Подходящата поддръжка на пералнята може да увеличи нейния живот.

Отвън машината може да бъде почистена с неутрален дезинфекционен препарат, използван в домакинството.

Използвайте влажен парцал и пазете повърхността от надраскване с остър предмет.

Важно: Не използвайте метилов спирт, разреждители или подобни продукти.

## ■ Интериор

Подходящата поддръжка на пералнята може да увеличи нейния живот.

Отвън машината може да бъде почистена с неутрален дезинфекционен препарат, използван в домакинството.

Използвайте влажен парцал и пазете повърхността от надраскване с остър предмет.

Важно: Не използвайте метилов спирт, разреждители или подобни продукти.











## ■ При ниски температури

Ако пералнята се съхранява в условия, където са възможни минусови температури, следвайте инструкциите, за да предотвратите евентуални повреди:

- Спрете крана за снабдяване с вода.
- Махнете маркучите от източниците на вода и отводнете маркучите.
- Приберете електрическия шнур в обособения електрически изход.
- Добавете 1 галон (3,8л) нетоксичен антифриз RV в празния барабан. Затворете вратата.
- Нагласете центрифугата и оставете пералнята да изхвърли цялата вода. Не цялото количество RV ще бъде изхвърлено.
- Изключете щепсела, подсушете барабана отвътре и затворете вратата... и подсушете излишната вода

СИМПТОМ	ВЪЗМЖНА ПРИЧИНА	РЕШЕНИЕ
<p>Дрънкащ звук</p> <p>Силен звук</p> <p>Вибрационен шум</p>	<ul style="list-style-type: none"> <li>• В барабана са попаднали дребни метални предмети</li> <li>• По-тежо пране може да произведе такъв шум. Това е нормално.</li> <li>• Махнахте ли транспортните болтове?</li> <li>• Нивелирахте ли добре?</li> </ul>	<p>Спрете пералнята и проверете внимателно барабана и филтъра. Ако шумът продължава и след почистване, моля обърнете се към сервиза.</p> <p>Ако шумът е силен, е възможно да е нарушен баланса на прането. При това положение източете водата спрете пералнята, отворете вратата и пренаредете прането.</p>
<p>Има изтичане на вода</p> <p>Преливане</p> <p>Водата не влиза в пералнята или влиза бавно.</p> <p>Водата не се оттича или се оттича бавно.</p>	<ul style="list-style-type: none"> <li>• Маркуча се е откачил от крана или от пералнята</li> <li>• Маркучът е запушен.</li> <li>• Водоподаването е спряно.</li> <li>• Клапанът на водата не отворен докрай.</li> <li>• Маркучът е прегънат.</li> <li>• Филтърът е запушен</li> <li>• Маркучът е запушен.</li> </ul>	<p>Проверете връзките на маркучите.</p> <p>Отстранете маркуча и се свържете с водопроводчик.</p> <p>Поставили сте неподходящ прах или сте предозирали.</p> <p>Проверете чешмата.</p> <p>Отворете клапана докрай.</p> <p>Изправете маркуча.</p> <p>Почистете филтрите.</p> <p>Почистете маркуча на течаща вода.</p>

СИМПТОМ	ВЪЗМЖНА ПРИЧИНА	РЕШЕНИЕ
Прането не започва	<ul style="list-style-type: none"> <li>• Не сте включили кабела в електричеството или има прекъсната връзка</li> <li>• Бушонът е изгорял или има спад на напрежението.</li> <li>• Не сте пуснали водата.</li> <li>* Не сте затворили вратата.</li> </ul>	<p>Уверете се, че щепсълът е в контакта.</p> <p>Проверете за централен проблем на мрежата</p> <p>Пуснете водата.. Затворете внимателно вратата.</p>
Вратата не се отваря.		<p>Това е направено, за да се предотвратят нещастни случаи. Тя се заключва по време на работа. Механизмът се отваря 1-2 минути след края на прането.</p>
Програмата пере по-дълго отколкото е показано в упътването.		<ul style="list-style-type: none"> <li>• Имайте предвид, че посоченото време е ориентировъчно. Всичко зависи от налягането на водата и нейната температура.</li> <li>• Ако прането е дисбалансирано, това също може да увеличи времето за пране.</li> </ul>

СИМПТОМ	ВЪЗМЖНА ПРИЧИНА	РЕШЕНИЕ
	<ul style="list-style-type: none"> <li>• Няма водоподаване.</li> <li>• Не сте отворили клапана докрай.</li> <li>• Маркучът е сгънат.</li> </ul>	<p>Проверете чешмата. Отворете клапана докрай. Изправете маркуча. Проверете филтъра.</p>
	<ul style="list-style-type: none"> <li>• Маркучът е прегънат.</li> <li>• Филтърът е запушен</li> </ul>	<p>Изправете маркуча. Почистете филтрите</p>
	<ul style="list-style-type: none"> <li>• Прането е прекалено малко.</li> <li>• Прането е разбалансирано.</li> <li>• Ако сте поставили прекалено големи дрехи/халати/, те могат да нарушат баланса.</li> <li>• Възможно е да не се изцеди достатъчно добре при центрофуга. Просто повторете центрофугиране.</li> </ul>	<p>Прибавете още пране.</p> <p>Пренаредете прането и повторете центрофугата.</p>
	 <p>Затворете вратата.</p>	<p>Затворете вратата, ако дисплеят продължава да показва това съобщение, извикайте сервизен техник.</p>
		<p>Изключете от ел.мрежата и извикайте техник.</p>
	<p>Преливане на вода.</p>	<p>Изключете от ел.мрежата и извикайте техник.</p>
	<p>Сензорът за нивото водата е повреден.</p>	<p>Изключете от водата и извикайте техник.</p>
	<p>Претоварване на мотора.</p>	<p>Изключете от ел.мрежата и извикайте техник.</p>
	<p>Претоварване на мотора.</p>	<p>Изключете от водата и извикайте техник.</p>

## Изхвърляне на вашия стар уред



1. Когато този символ на задраскана кофа за боклук е поставен върху дадено изделие, това означава, че изделието попада под разпоредбите на Европейска директива 2002/96/ЕО.
2. Всички електрически и електронни изделия трябва да се изхвърлят отделно от битовите отпадъци, в определени за целта съоръжения, посочени от държавните или местните органи.
3. Правилното изхвърляне на вашия уред ще помогне за предотвратяване на възможни негативни последици за околната среда и човешкото здраве.
4. За по-подробна информация за изхвърлянето на вашия стар уред се обърнете към вашата община, службите за събиране на отпадъци или магазина, откъдето сте купили своя уред.

Гаранцията не включва:

- Изпращане на сервизен специалист във вашия дом, за да ви научи как да използвате уреда.
- Ако уредът е свързан към напрежение, различно от посоченото върху табелката с техническите характеристики.
- Ако повредата е причинена от злополука, небрежност, неправилна употреба или непреодолима сила.
- Ако повредата е причинена от фактори, различни от нормалната битова употреба или от употребата в съответствие с ръководството за потребителя.
- Даване на указания за използване на уреда или промяна на настройката на уреда.
- Ако повредата е причинена от вредители, като например плъхове или хлебарки и др.
- Шум или вибрации, които се смятат за нормални, напр. звук от източване на вода, от центрофугиране или предупредителни сигнали.
- Коригиране на инсталирането, например нивелиране на уреда, регулиране на източването.
- Нормална поддръжка, която се препоръчва от ръководството за потребителя.
- Отстраняване на външни предмети / вещества, попаднали в машината, включително помпата и филтъра на хранящия маркуч, например ситни камъчета, гвоздеи, банели от сутиени, копчета и др.
- Смяна на предпазители, нагаждане на електрическата или водопроводната мрежа в дома.
- Поправка след неразрешен ремонт.
- Каквито и да било повреди на лична собственост, причинени от евентуални дефекти на този уред.
- Ако този уред се използва за търговски цели, гаранция за него не се предоставя.  
(Пример: Обществени места, като например бани, пансиони, спортни центрове, общежития)  
Ако уредът е инсталиран извън обичаен сервизен район, всички транспортни разходи, свързани с ремонта на уреда или замяната на дефектни части, се поемат от собственика.

