



PLASMA TV OWNER'S MANUAL

Please read this manual carefully before operating your set.
Retain it for future reference.
Record model number and serial number of the set.
See the label attached on the back cover and quote this information to your dealer when you require service.

Model number :
Serial number :

P/NO : 3828VA0541K (MF056C, 151S/138M TX)

Safety Instructions

WARNING

Do not place the set in direct sunlight or near heat sources such as heat registers, stove and so on.

- This may cause a fire.

Do not use the set in damp place such as a bathroom or any place where it is likely to get wet.

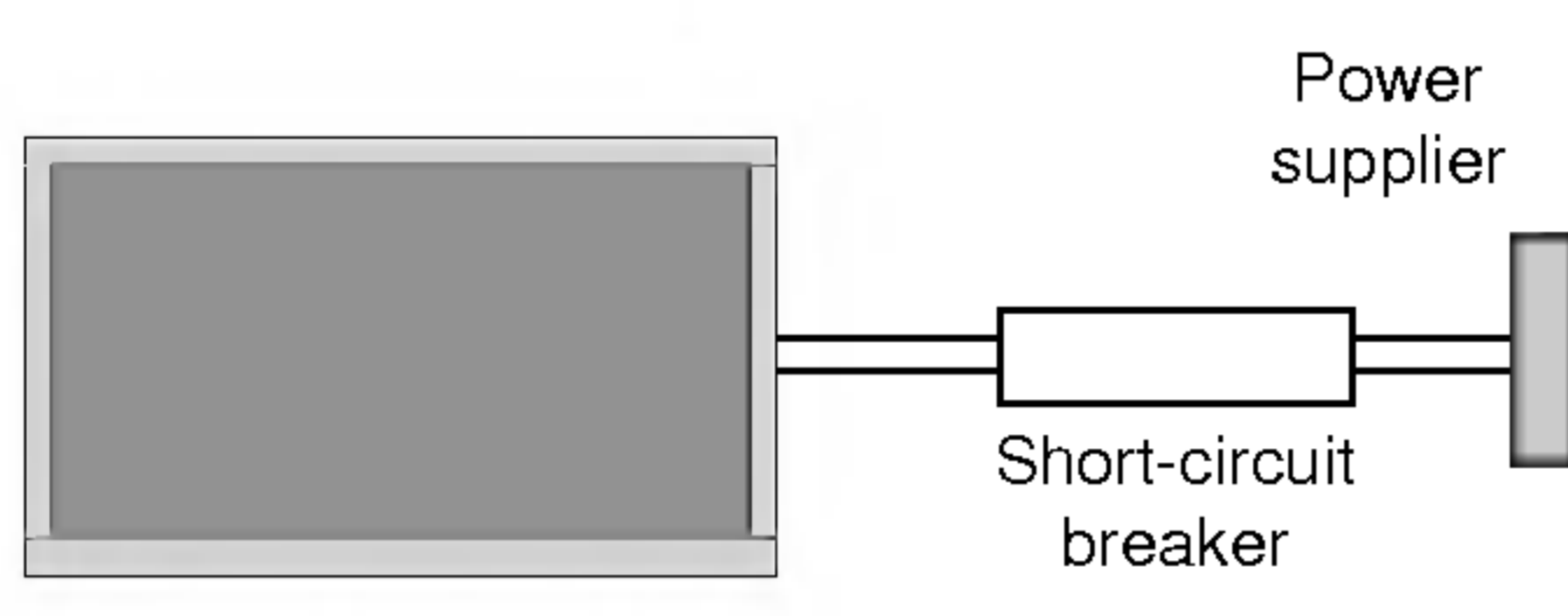
- This may cause a fire or could give an electric shock.

Bend antenna cable between inside and outside building to prevent rain from flowing in.

- This may cause water damaged inside the set and could give an electric shock.

Earth wire should be connected.

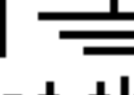
- If the earth wire is not connected, there is possible a danger of electric shock caused by the current leakage.
- If grounding methods are not possible, a separate circuit breaker should be employed and installed by a qualified electrician.



- Do not connect ground to telephone wires, lightning rods or gas pipe.

Apparatus shall not be exposed to dripping or splashing and no objects filled with liquids, such as vases, shall be placed on the apparatus.

WARNING in U.K. only

- * This set is supplied with a BS 1363 approved 13 amp mains plug, fused at 13 amp. When replacing the fuse always use a 13 amp BS 1362, BSI or ASTA approved type. Never use this plug with the fuse cover omitted. To obtain a replacement fuse cover contact your dealer or "LG Electronics U.K. Ltd." If the type of plug supplied is not suitable for the mains sockets in your home, then the plug should be removed and a suitable type fitted. A mains plug removed from the mains lead of this set must be destroyed. A mains plug with bared wires is hazardous if inserted in a mains socket. Do not connect either wire to the earth pin, marked with the letter E or with the earth symbol  or coloured green or green and yellow. If any other plug is fitted, use a 13 amp fuse, either in the plug, or at the distribution board. The wires in this mains lead are coloured in accordance with the following codes: **BLUE: NEUTRAL, BROWN: LIVE** As the colours of the wires in the mains lead of this set may not correspond with the coloured marking identifying the terminals in your plug, proceed as follows: The wire which is coloured blue must be connected to the terminal which is marked with the letter N or coloured black. The wire which is coloured brown must be connected to the terminal which is marked with the letter L or coloured red.

Do not insert any object into the exhaust vent.

- This may cause a fire or could give an electric shock.

Do not place heavy objects on the set.

- This may cause serious injury to a child or adult.

Do not use water while cleaning the set.

- This may cause damaged the set or could give an electric shock.

In case of smoke or strange smell from the set, switch it off ,unplug it from the wall outlet and contact your dealer or service center.

- This may cause a fire or could give an electric shock.

Do not attempt to service the set yourself. Contact your dealer or service center.

- This may cause damaged the set or could give an electric shock.

During storm activity, unplug the set from the wall outlet and don't touch an antenna cable.

- This may cause damaged the set or could give an electric shock.

DISCONNECTING DEVICE FROM MAINS

- Mains plug is the disconnecting device. The plug must remain readily operable.

WARNING

TO REDUCE THE RISK OF FIRE AND ELECTRIC SHOCK, DO NOT EXPOSE THIS PRODUCT TO RAIN OR MOISTURE.

* Safety instructions have two kinds of information, and each meaning of it is as below.

⚠ WARNING The violation of this instruction may cause serious injuries and even death.

⚠ NOTES The violation of this instruction may cause light injuries or damage of the product.

⚠ Take care of danger that may happen under specific condition.

⚠ NOTES

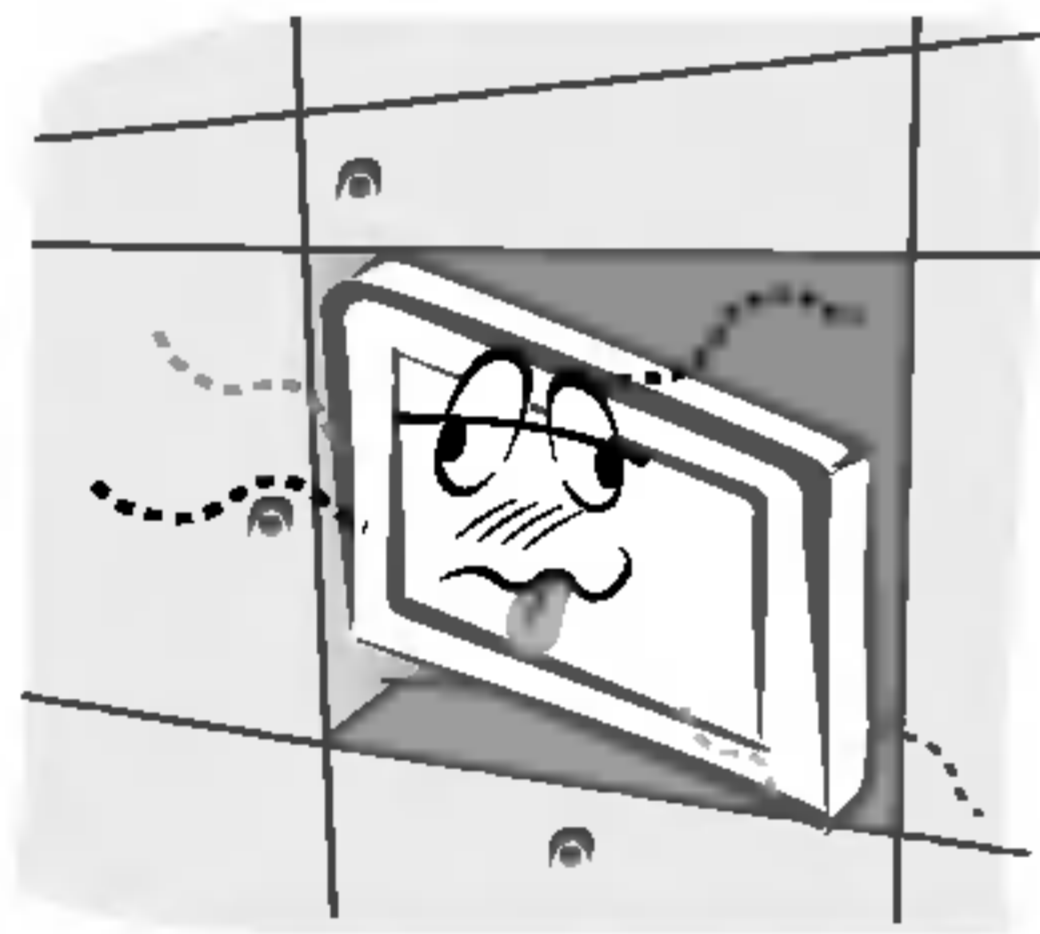
Never touch the power plug with a wet hand.

- This may cause an electric shock.

Disconnect from the mains and remove all connections before moving.

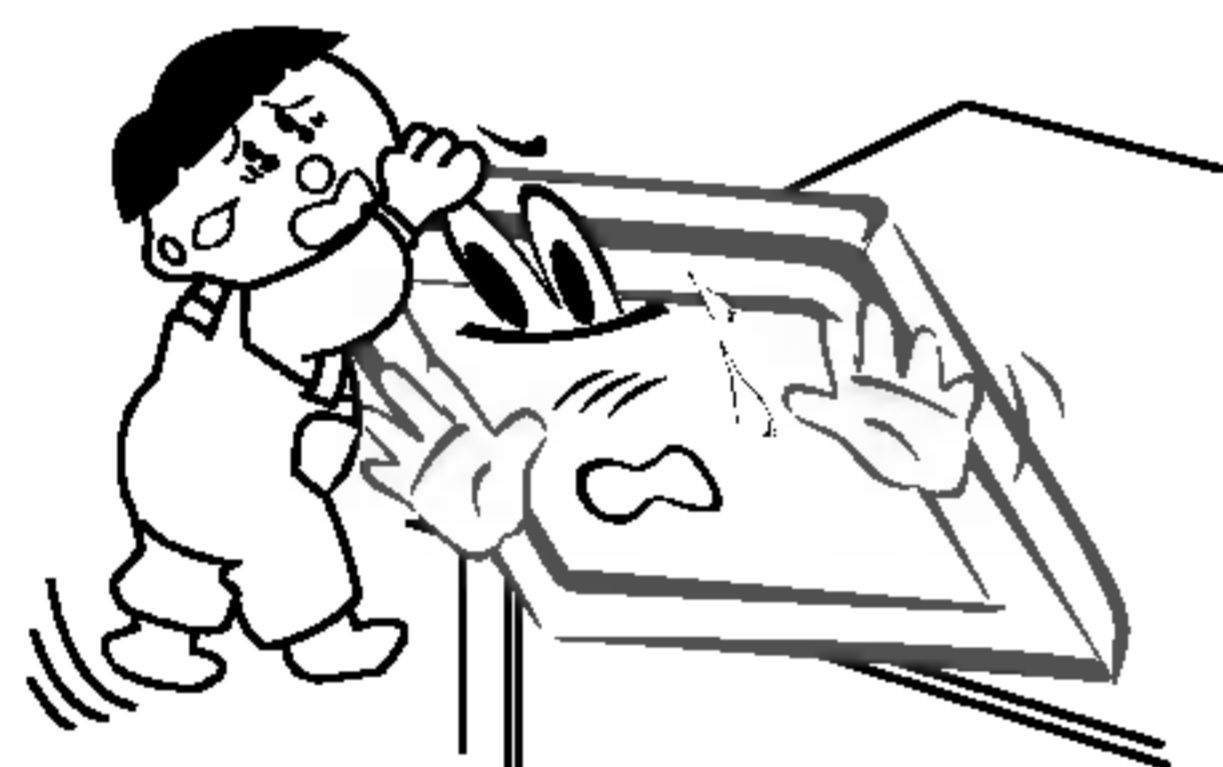
Do not place the set in a built-in installation such as a bookcase or rack.

- Ventilation required.



When installing the set on a table, be careful not to place the edge of its stand on the end of the table.

- This may cause the set to fall, causing serious injury to a child or adult, and serious damage to the set.



Do not place an outside antenna in the vicinity of overhead power lines or other electric light or power circuits.

- This may cause an electric shock.

There should be enough distance between an outside antenna and power lines to keep the former from touching the latter even when the antenna falls.

- This may cause an electric shock.

Do not pull the plug not the cord when disconnecting.

- This may cause a fire.

Ensure the power cord doesn't trail across any hot objects like a heater.

- This may cause a fire or an electric shock.

Do not plug in unit if power cord or plug is damaged or the connecting part of the power outlet is loose.

- This may cause a fire or an electric shock.

Dispose of used batteries carefully to prevent a child from eating them.

- In case of a child eating them, contact doctor immediately.

When moving the set assembled with speakers do not carry holding the speakers.

- This may cause the set to fall, causing serious injury to a child or adult, and serious damage to the Monitor.

Unplug this product from the wall outlet before cleaning. Do not use liquid cleaners or aerosol cleaners.

- This may cause damage the set or could give an electric shock.

Contact the service center once a year to clean the internal part of the set.

- Accumulated dust can cause mechanical failure.

The distance between eyes and the screen should be approx. 5 ~ 7 times the diagonal length of the screen away.

- If not, eyes will strain.

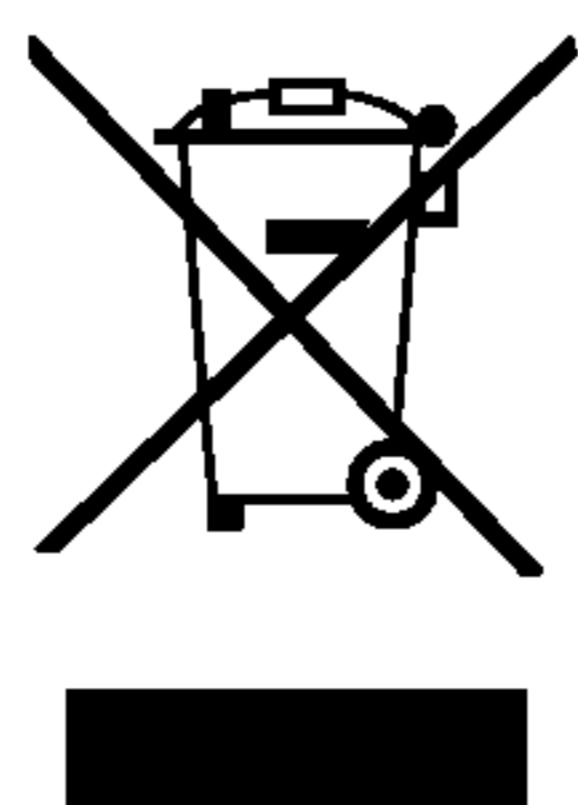
Unplug the set from the wall outlet when it is left unattended and unused for long periods of time or occurred a state of emergency.

- Accumulated dust may cause a fire or an electric shock from deterioration through electric leakage.

Contents

| | | | |
|--|-----|--|-------|
| Safety Warnings | | Time Menu Options | |
| Safety Instructions | 2~3 | Setting the Clock | 19 |
| Introduction | | Setting the On/Off Timer | 19 |
| Remote Control Key Functions | 5~6 | Auto Sleep | 19 |
| Location and Function of Controls | 7~8 | Sleep Timer | 19 |
| Installation | | Special Menu Options | |
| External Equipment Viewing Setups | 9 | Child Lock | 20 |
| Displayable Monitor Specification | 10 | ISM (Image Sticking Minimization) Method | 20 |
| HDMI | 11 | Low Power | 20 |
| Accessories | 12 | XD Demo | 20 |
| Installation Options | 13 | Screen Menu Options | |
| Operation | | Auto Configure | 20 |
| Turning on the Set | 14 | Manual Configure | 20 |
| On-Screen Menu Language Selection (option) | 14 | Selecting Wide VGA/XGA mode | 20 |
| On screen menus | 15 | Setting Picture Format | 21 |
| Channel Menu Options | | Picture Size Zoom | 21 |
| Auto Programme Tuning | 16 | Screen Position | 21 |
| Manual Programme Tuning | 16 | Cinema | 21 |
| Fine Tuning | 16 | NR (Noise Reduction) | 21 |
| Assigning a Station Name | 17 | Initializing (Reset to original factory value) | 21 |
| Booster (option) | 17 | Teletext (option) | |
| Programme Edit | 17 | Teletext Language Selection | 21 |
| Favourite Programme | 17 | Switch on/off | 21 |
| Calling up the Programme Table | 17 | SIMPLE Text (option) | 22 |
| Picture Menu Options | | TOP Text (option) | 22 |
| PSM (Picture Status Memory) | 18 | FASTEXT | 22 |
| CSM (Colour Status Memory) | 18 | Special Teletext Functions | 22 |
| Manual Colour Temperature Control | 18 | Miscellaneous | |
| XD | 18 | Programming the Remote (option) | 23 |
| sRGB | 18 | Programming Codes (option) | 24~25 |
| ACM (Active Colour Management) | 18 | Troubleshooting Checklist | 26 |
| Manual Picture Control | 18 | Product Specifications | 27 |
| Sound Menu Options | | | |
| SSM (Sound Status Memory) | 18 | | |
| BBE | 18 | | |
| AVL (Auto Volume Leveler) | 18 | | |
| Adjusting Sound Control | 18 | | |
| TV speaker | 19 | | |
| Stereo/Dual Reception | 19 | | |
| NICAM Reception (option) | 19 | | |

After reading this manual, keep it in a place where the user can refer to easily.

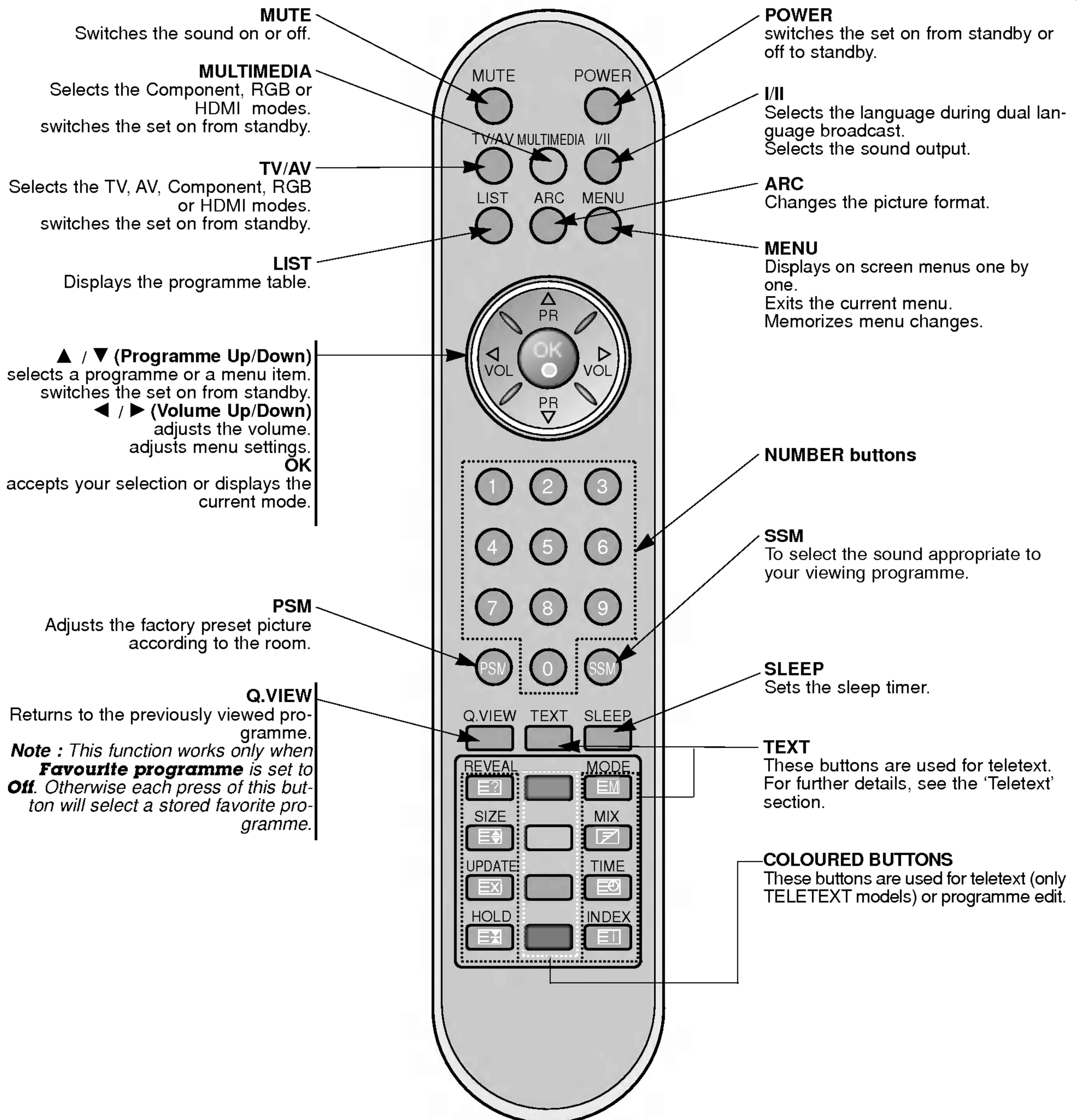


Disposal of your old appliance

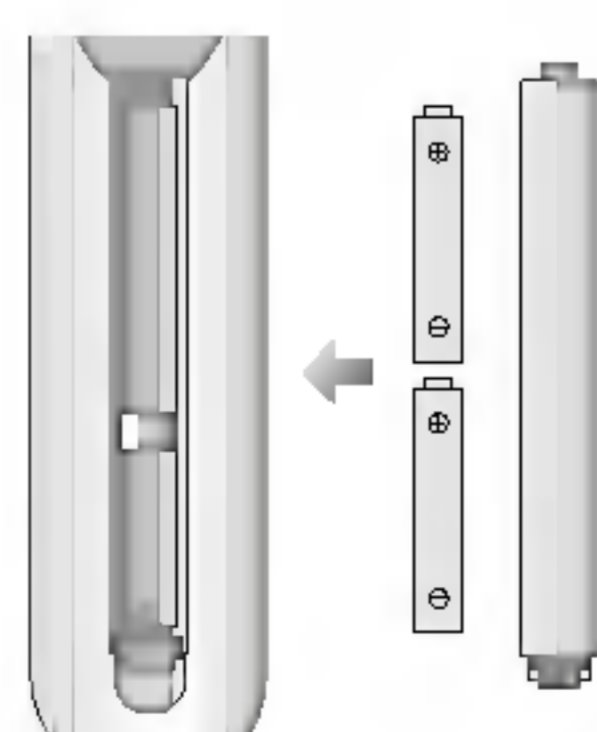
1. When this crossed-out wheeled bin symbol is attached to a product it means the product is covered by the European Directive 2002/96/EC.
2. All electrical and electronic products should be disposed of separately from the municipal waste stream via designated collection facilities appointed by the government or the local authorities.
3. The correct disposal of your old appliance will help prevent potential negative consequences for the environment and human health.
4. For more detailed information about disposal of your old appliance, please contact your city office, waste disposal service or the shop where you purchased the product.

Remote Control Key Functions

- When using the remote control aim it at the remote control sensor of the set.
- There's maybe a defect in consecutive operation of remote control in specified brightness according to this set feature.



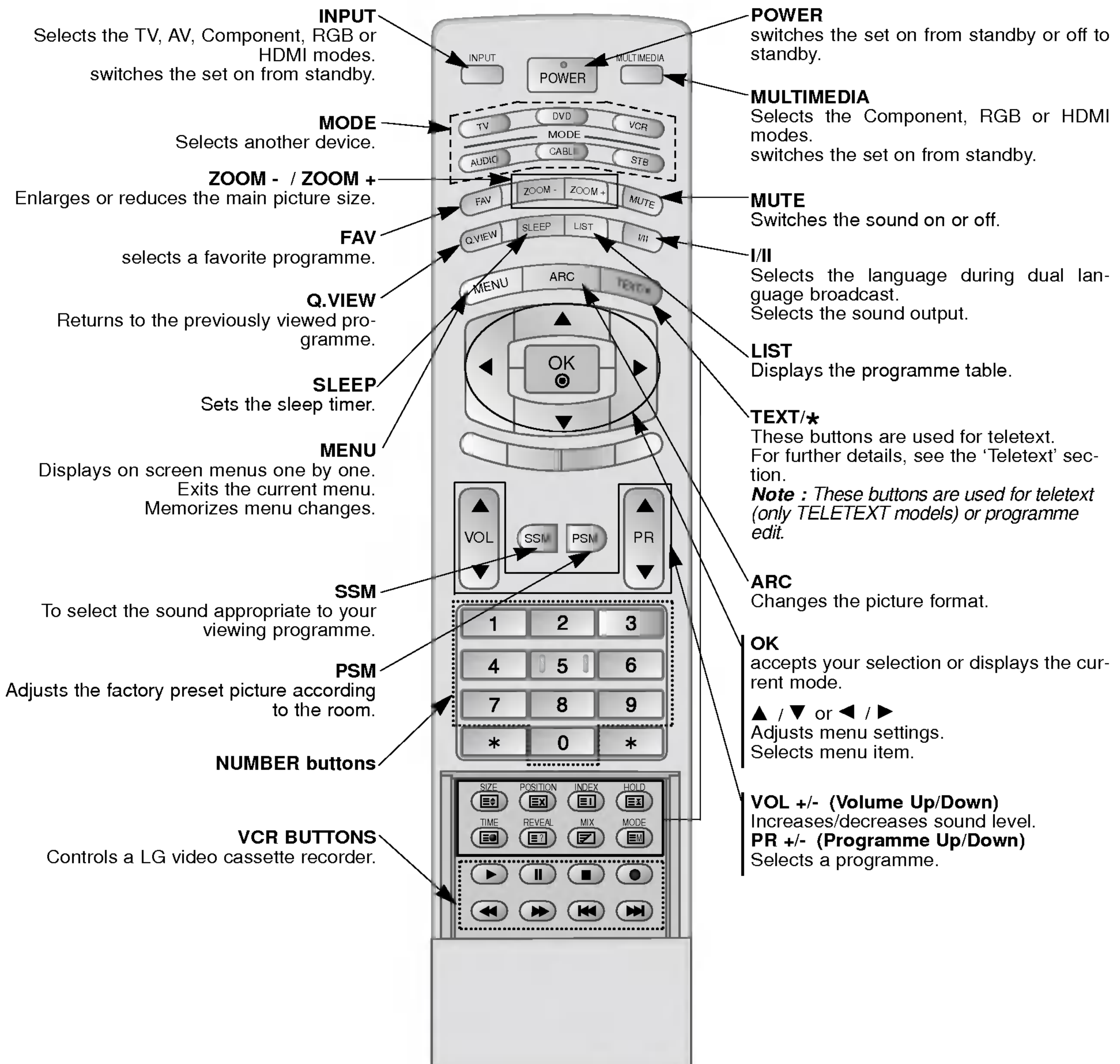
Installing Batteries



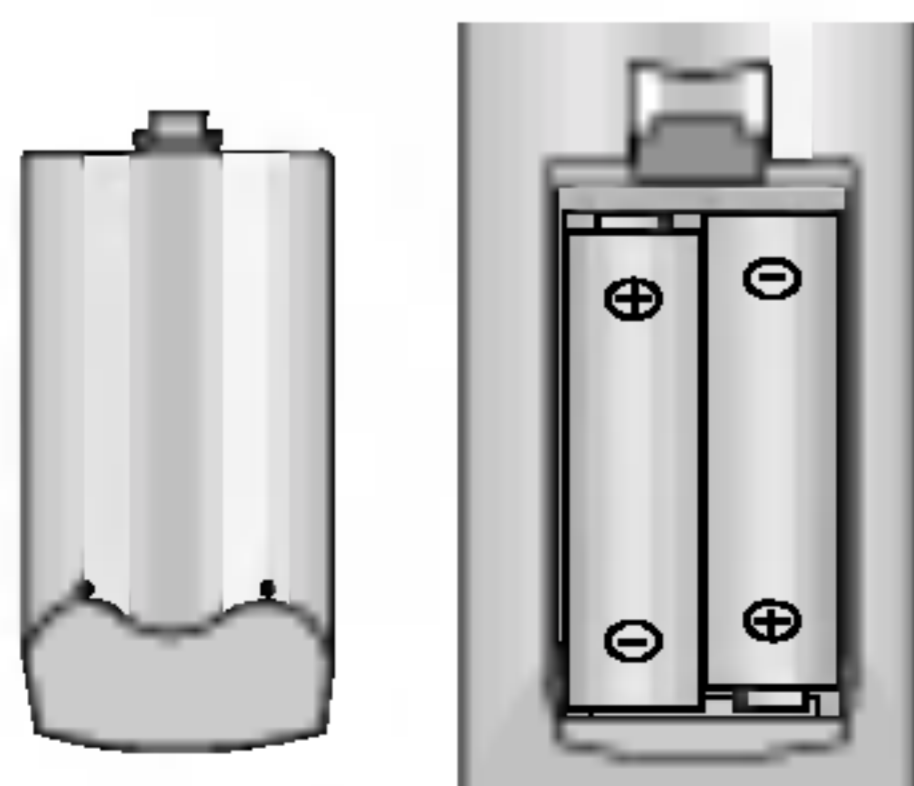
- Open the battery compartment cover on the back side and insert the batteries with correct polarity.
- Install two 1.5V alkaline batteries of AAA type. Don't mix used batteries with new batteries.

Remote Control Key Functions

- When using the remote control aim it at the remote control sensor of the set.
- There's maybe a defect in consecutive operation of remote control in specified brightness according to this set feature.



Installing Batteries

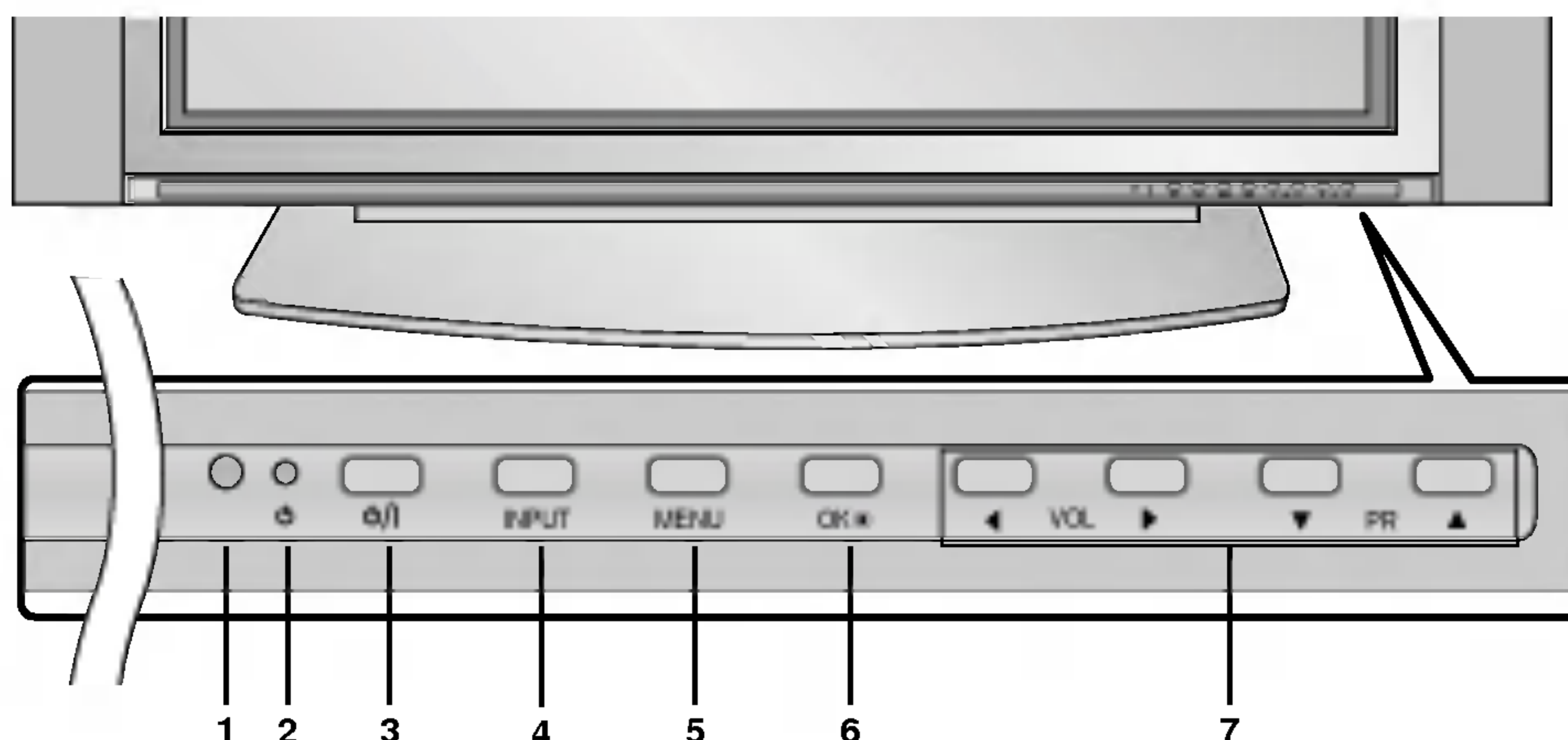


- Open the battery compartment cover on the back side and insert the batteries with correct polarity.
- Install two 1.5V alkaline batteries of AA type. Don't mix used batteries with new batteries.

Location and Function of Controls

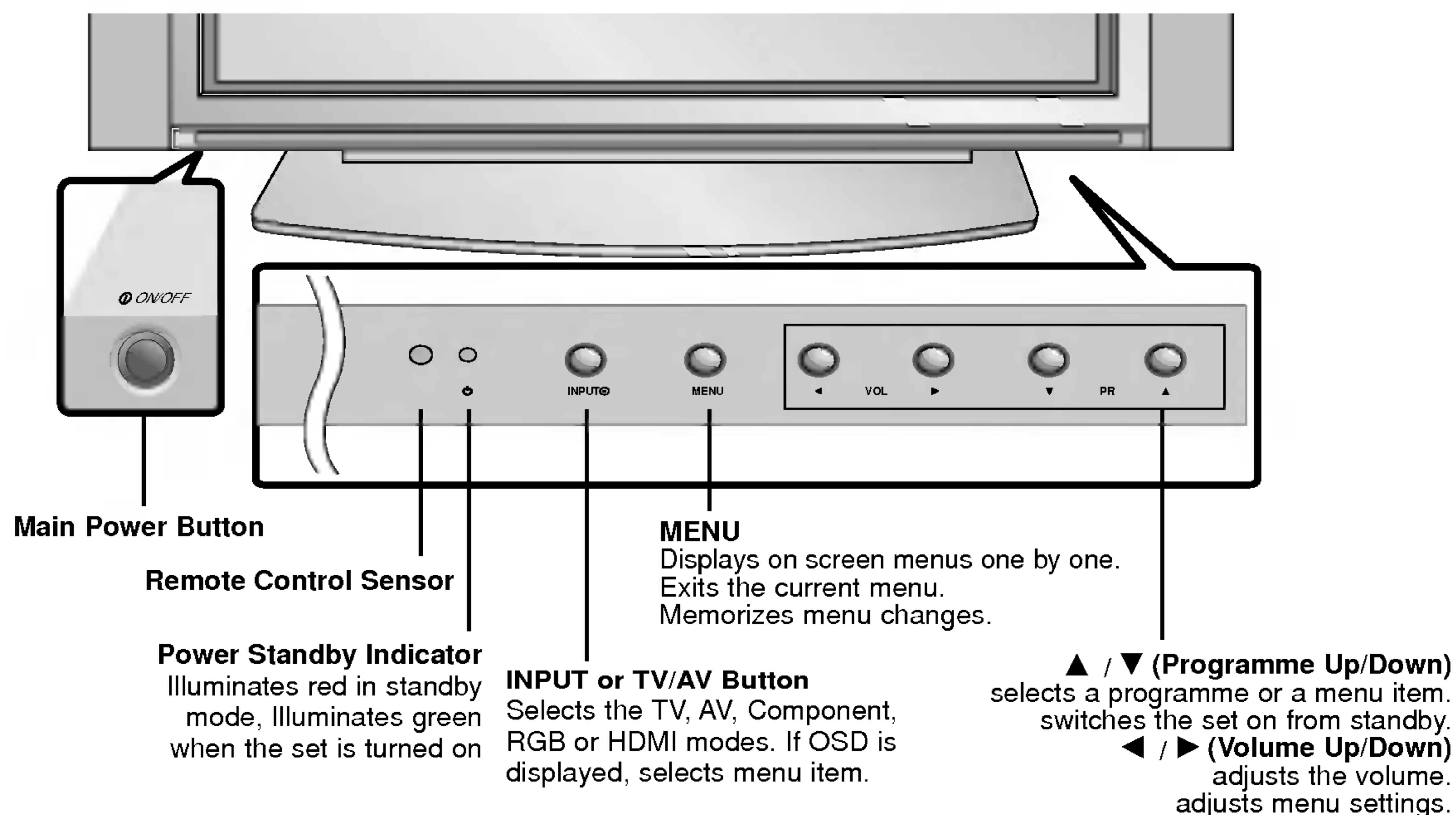
<Front Panel Controls>

42PX3RV series



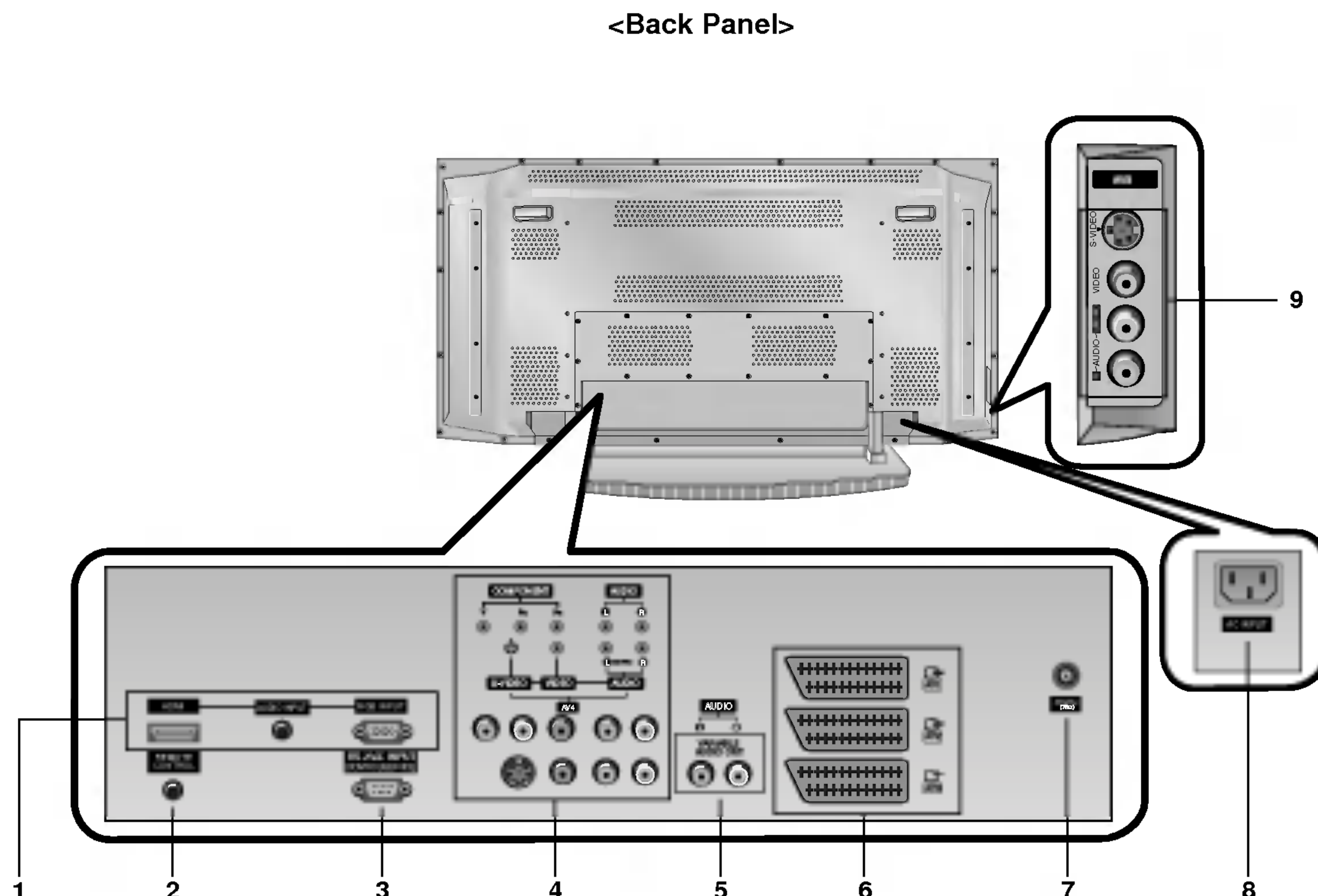
1. **Remote Control Sensor**
2. **Power Indicator**
Illuminates red in standby mode, illuminates green when the set is turned on.
3. **Power Button**
Switches the set on from standby or off to standby.
4. **INPUT or TV/AV Button**
Selects the TV, AV, Component, RGB or HDMI modes.
Switches the set on from standby.
5. **MENU**
Displays on screen menus one by one.
Exits the current menu.
Memorizes menu changes.
6. **OK**
Accepts your selection or displays the current mode.
7. **▲ / ▼ (Programme Up/Down)**
Selects a programme or a menu item.
Switches the set on from standby.
◀ / ▶ (Volume Up/Down)
Adjusts the volume.
Adjusts menu settings.

42PX2RV series



Location and Function of Controls

- Shown is a simplified representation of the set.
- What is shown here may be somewhat different from your set.



1. HDMI(DVI VIDEO) / AUDIO INPUT / RGB INPUT

Connect the monitor output socket of the PERSONAL COMPUTER, DVD or STB to this socket.

Note: If you want to use RGB/DVI audio, we strongly recommend that you use the cable that has a core, or the EMI Filter core along with separate cable.

2. REMOTE CONTROL

3. RS-232C INPUT(CONTROL/SERVICE) PORT

Connect to the RS-232C port on a PC.

4. COMPONENT INPUT

Connect DVD video outputs to Y, P_B, P_R of COMPONENT INPUT and audio outputs to Audio sockets of AUDIO INPUT.

AUDIO/VIDEO IN SOCKETS (AV4)

Connect the audio/video out sockets of external equipment to these sockets.

S-VIDEO/AUDIO IN SOCKETS

Connect the S-VIDEO out socket of an VCR to the S-VIDEO socket.

Connect the audio out sockets of the VCR to the audio sockets as in AV4.

5. VARIABLE AUDIO OUTPUT

6. EURO SCART SOCKET

Connect the euro scart socket of the VCR to these sockets.

Note:

a. If you want to use the EURO scart cable, you have to use the signal shielded Euro scart cable.

b. If the S-VIDEO(Y/C) signal is received through the Euro scart socket 2 (AV 2), you must change to the S-Video 2 (Y/C) mode.

7. ANTENNA INPUT

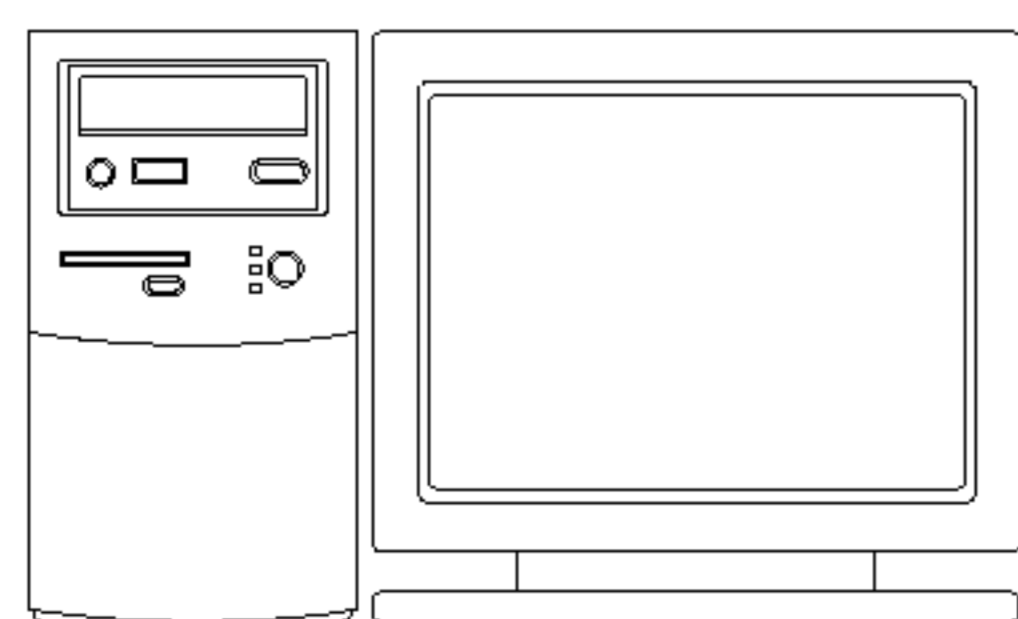
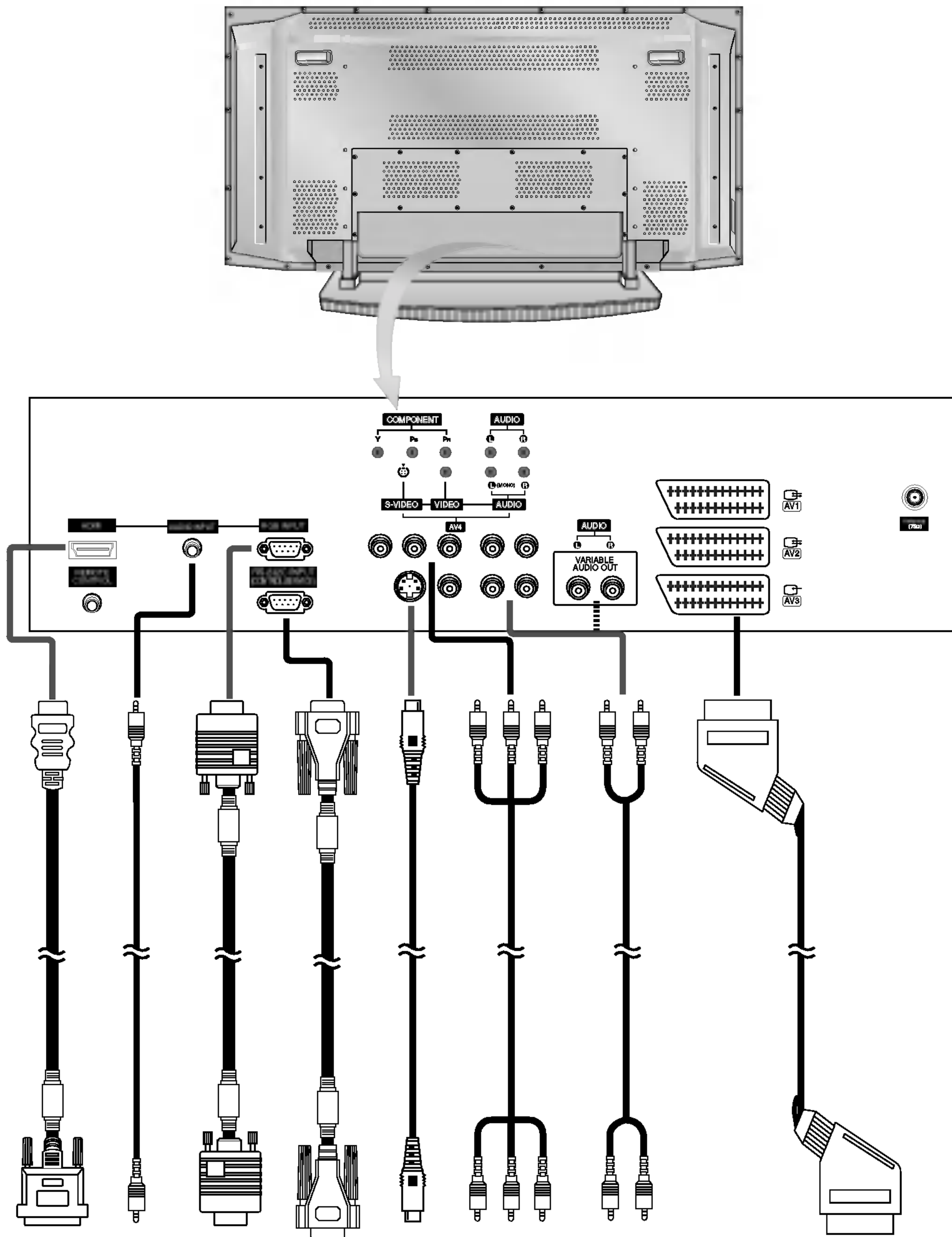
8. POWER CORD SOCKET

This Monitor operates on AC power. The voltage is indicated on the Specifications page. Never attempt to operate the set on DC power.

**9. AUDIO/VIDEO INPUT (AV5)
S-VIDEO/AUDIO IN SOCKETS**

External Equipment Viewing Setups

<Back Panel>



Connection to PC



Connection to AV equipment

Displayable Monitor Specification

RGB / HDMI mode

| Resolution | Horizontal Frequency(KHz) | Vertical Frequency(Hz) |
|------------|---------------------------|------------------------|
| 640x350 | 31.468 | 70.09 |
| | 37.861 | 85.08 |
| 720x400 | 31.469 | 70.08 |
| | 37.927 | 85.03 |
| 640x480 | 31.469 | 59.94 |
| | 35.000 | 66.66 |
| | 37.861 | 72.80 |
| | 37.500 | 75.00 |
| 848x480 | 43.269 | 85.00 |
| | 31.500 | 60.00 |
| | 37.799 | 70.00 |
| 852x480 | 39.375 | 75.00 |
| | 31.500 | 60.00 |
| | 37.799 | 70.00 |
| 800x600 | 39.375 | 75.00 |
| | 35.156 | 56.25 |
| | 37.879 | 60.31 |
| | 48.077 | 72.18 |
| 832x624 | 46.875 | 75.00 |
| | 53.674 | 85.06 |
| | 49.725 | 74.55 |
| 1024x768 | 48.363 | 60.00 |
| | 56.476 | 70.06 |
| | 60.023 | 75.02 |
| 1152x864 | 68.677 | 85.00 |
| | 54.348 | 60.05 |
| | 63.995 | 70.01 |
| 1152x870 | 67.500 | 75.00 |
| | 68.681 | 75.06 |
| 1280x960 | 60.023 | 60.02 |
| 1280x1024 | 63.981 | 60.02 |

42PX3RV series
42PX2RV series

• **Component/HDMI Input signal**

| Mode \ Terminal | Component | RGB (DTV) | HDMI (DTV) |
|-----------------|-----------|-----------|------------|
| 480i | o | x | x |
| 576i | o | x | x |
| 480p | o | o | o |
| 576p | o | o | o |
| 720p | o | o | o |
| 1080i | o | o | o |



- HDMI™, the HDMI logo and High-Definition Multimedia Interface are trademarks or registered trademarks of HDMI Licensing.
- This set can receive the High-Definition Multimedia Interface (HDMI) or Input of Digital Visual Interface(DVI).
- This set supports HDCP (High-bandwidth Digital Contents Protection) Protocol for the set (480p, 720p, 1080i) modes.
- When you connect to HDMI/DVI Source devices (DVD Player, STB or PC) that support AUTO HDMI/DVI Plug & Play, this sets the HDMI/DVI source devices automatically.(640 x 480p).
After reading HDMI/DVI source devices, using Display Data Channel (DDC) Protocol, Extended Display Identification Data (EDID) stored in the set is used.
If HDMI/DVI Source devices do not support AUTO HDMI/DVI, the resolution is set manually.
- To get the best picture quality, adjust the DVD Player or Set Top Box output resolution to 640 x 480p.
- To get the best picture quality, adjust the PC graphics card to 640 x 480, 60Hz.
- When Source Devices have DVI Output Connector, you must connect audio with separated cable.(Refer to <How to connect>)

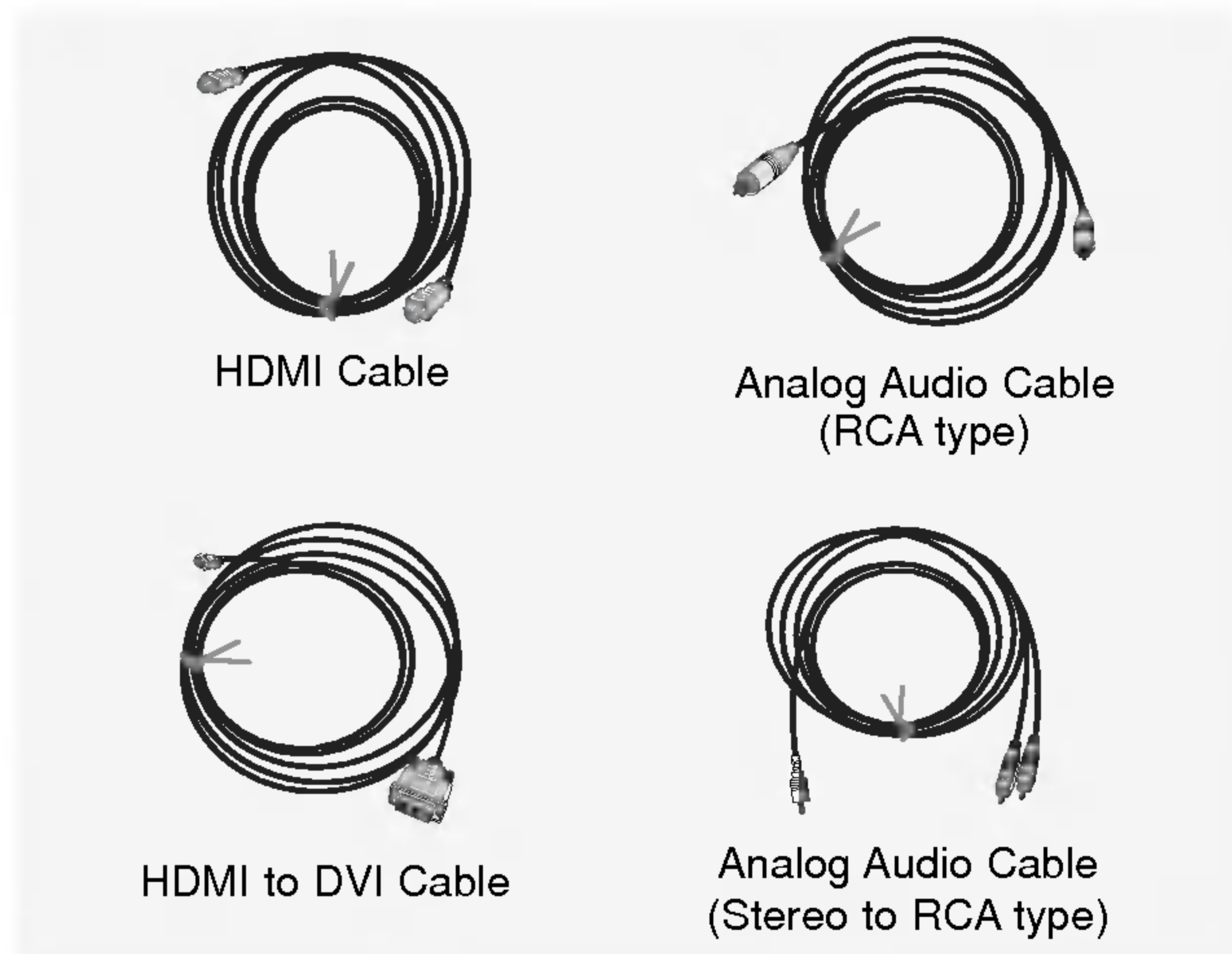
How to connect

1. When Source Devices (DVD Player or Set Top Box) support HDMI.
 - If Source Devices have HDMI Output Connector, Source Devices connect to the set with HDMI Cable .(not supplied with the product).
 - If Source Devices support Auto HDMI, automatically, Source Devices divert output resolution in 640x480p. But if not, resolution divert Manually Setting for reference Manual of Source Devices.
 - To get the best picture quality, adjust the DVD Player or Set Top Box output resolution to 640x480p.
 - Because HDMI sends Digital Video and Audio with one cable, there is no need for Audio Cable when using HDMI Cable.
2. When Source Devices (DVD Player or Set Top Box) supports DVI.
 - If Source Devices have DVI Output Connector, Source Devices connect to the set with HDMI to DVI Cable (not supplied with the product).
 - If Source Devices support Auto DVI, automatically, Source Devices divert output resolution in 640x480p. But if not, resolution divert Manually Setting for reference Manual of Source Devices.
 - To get the best picture quality, adjust the DVD Player or Set Top Box output resolution to 640x480p.
 - In this case, Audio use other cable. When Source Devices have Analog Audio Output Connector, RGB/DVI Audio Input of the set connect to Audio Cable (not supplied with the product). And then you can listen to normal Audio.
3. When PC supports DVI.
 - If PC has a DVI Output Connector, Source Devices connect to the set with HDMI to DVI Cable (not supplied with the product).
 - To get the best picture quality, adjust the PC graphics card to 640x480, 60Hz.
 - Use the the set's HDMI/DVI (VIDEO) for video connections, depending on your PC connector.
 - If the graphics card on the PC does not output analog RGB and DVI simultaneously, connect only one of either RGB Input or HDMI/DVI Input to display the PC on the set.
 - If the graphics card on the PC does output analog RGB and DVI simultaneously, the set to either RGB Input or HDMI/DVI Input; (the other mode is set to Plug and Play automatically by the set.)
 - Then, make the corresponding audio connections. If using a sound card, adjust the PC sound as required.
 - In this case, Audio use other cable. When PC (or sound card

of PC) have Analog Audio Output Connector, RGB/DVI Audio Input of the set connect to Analog Audio Cable (not supplied with the product). And then you can listen to normal Audio.

Reference

Cable sample (not supplied with the product)



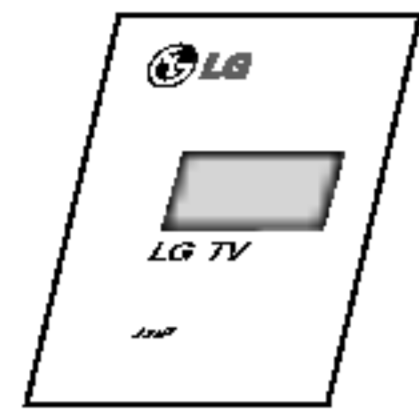
How to use

1. Connect the HDMI/DVI Source Devices(DVD Player or Set Top Box or PC) and the set.
2. Turn on the display by pressing the POWER button on the set and HDMI/DVI Source Devices remote control.
3. Select HDMI/DVI Input source in Main Input option of PIP/DW menu.
4. Check the image on your set. There may be noise associated with the resolution, vertical pattern, contrast or brightness in HDMI/DVI Source Devices. If noise is present, change the HDMI/DVI Source Devices to another resolution, change the refresh rate or adjust the brightness and contrast on the menu until the picture is clear. If the refresh rate of the PC graphics card can not changed, change the PC graphics card or consult the manufacturer of the PC graphics card.

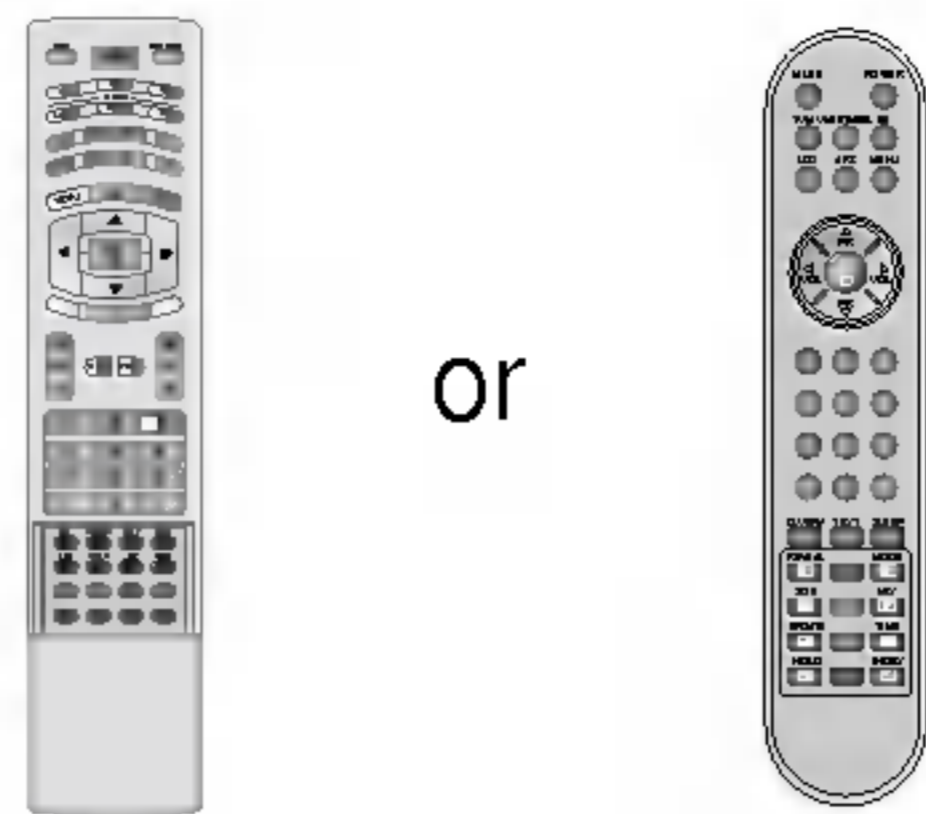
Notes:

- Depending on the graphics card, DOS mode may not work if you use a HDMI to DVI Cable.
- Avoid keeping a fixed image on the set screen for a long period of time. The fixed image may become permanently imprinted on the screen. Use the Orbiter screen saver when possible.
- When Source Devices connected HDMI/DVI Input, output PC Resolution(VGA, SVGA, XGA), Position, Size may not fit to Screen. As shown the lower picture, press the **MENU** button to adjust the screen Position of the set and contact an PC graphics card service center.
- When Source Devices connected HDMI/DVI Input output the set Resolution(480p, 720p, 1080i), the set Display fit EIA/CEA-861-B Specification to Screen. If not, refer to the Manual of HDMI/DVI Source Devices or contact your service center.
- In case of HDMI/DVI Source Devices are not connected, Cable or poor cable connection, "No Signal" OSD display in HDMI/DVI Input. And In case of Video Resolution not supported when output is HDMI/DVI Source Devices, "No Signal" OSD display. Refer to the Manual of HDMI/DVI Source Devices or contact your service center.

Accessories



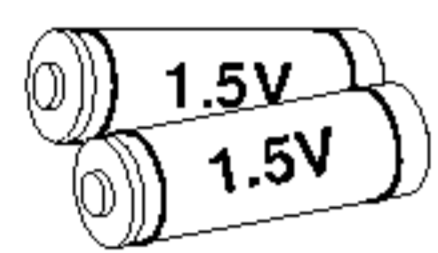
Owner's Manual



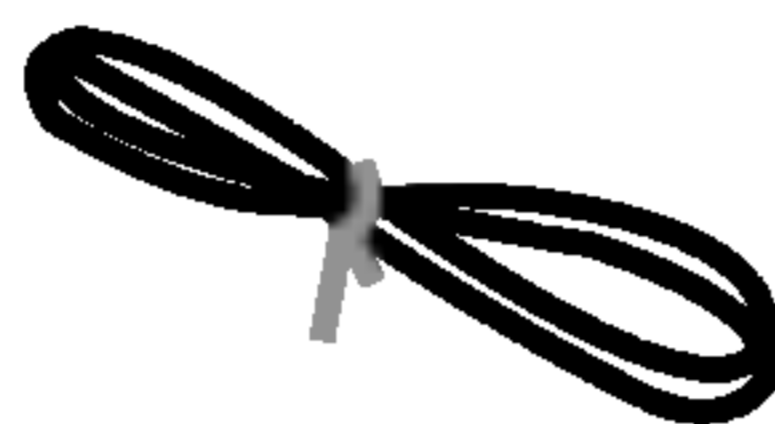
Remote Control handset



2-Eye Bolts



Alkaline batteries



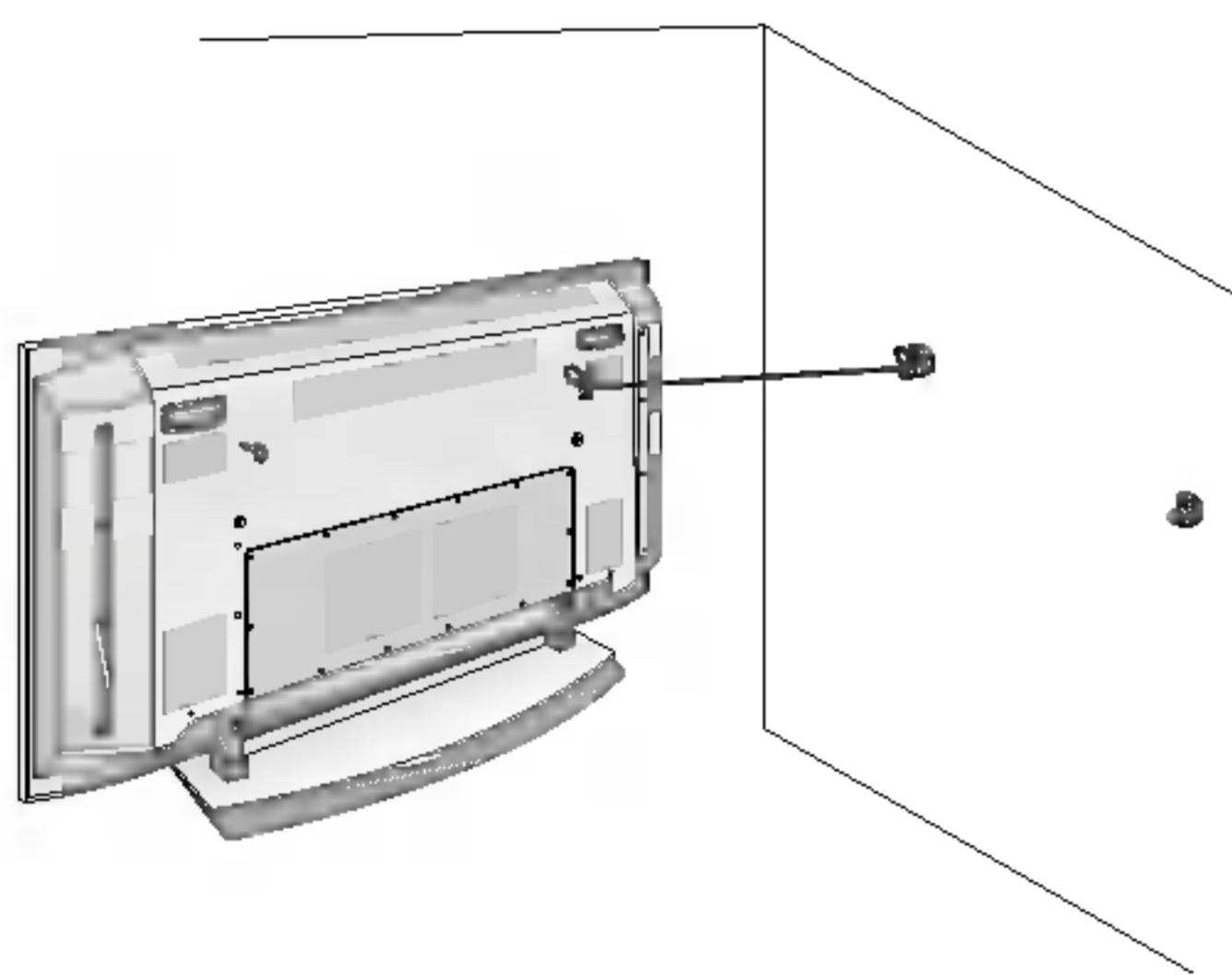
Power Cord



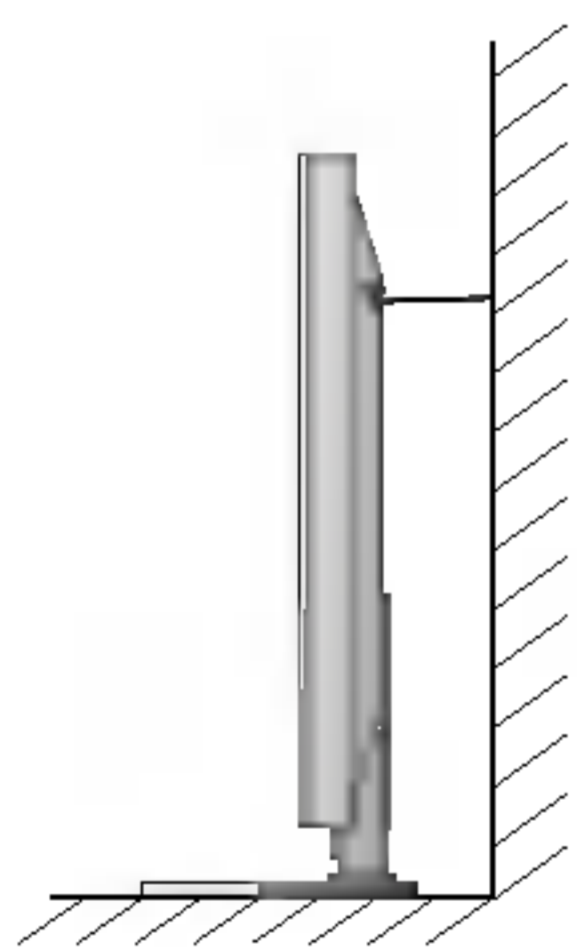
2-Wall brackets

Fixing the set assembly to the wall to protect the set tumbling

- Secure the set assembly by fixing it to a wall by using the Eye Bolts/Wall brackets.



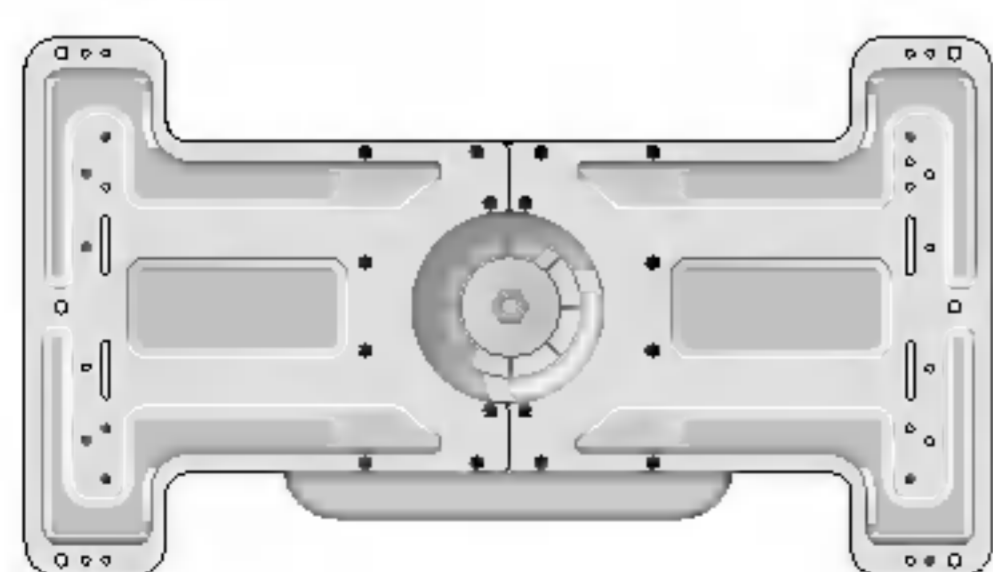
- If the set is mounted on a desk top, insert the 2 Eye-Bolts and tighten them securely in the upper holes as shown. Insert the 2 Eye Bolts and tighten securely, in the holes on the bracket. Install the wall brackets on the wall with 2 bolts, (not supplied with the product), as shown. Match the height of the Eye Bolts and the wall brackets. Check to be sure the brackets are tightened securely.



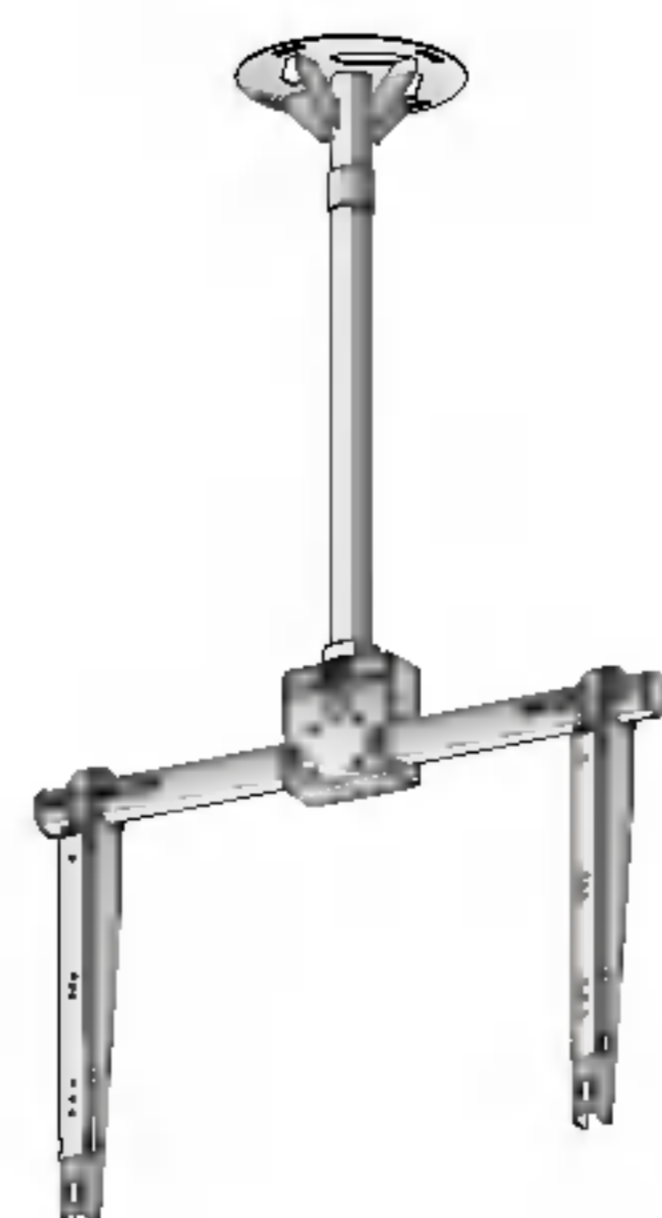
- Secure the set assembly to the wall with strong strings or wound wire cables, (not supplied with the product), as shown.

Optional Extras

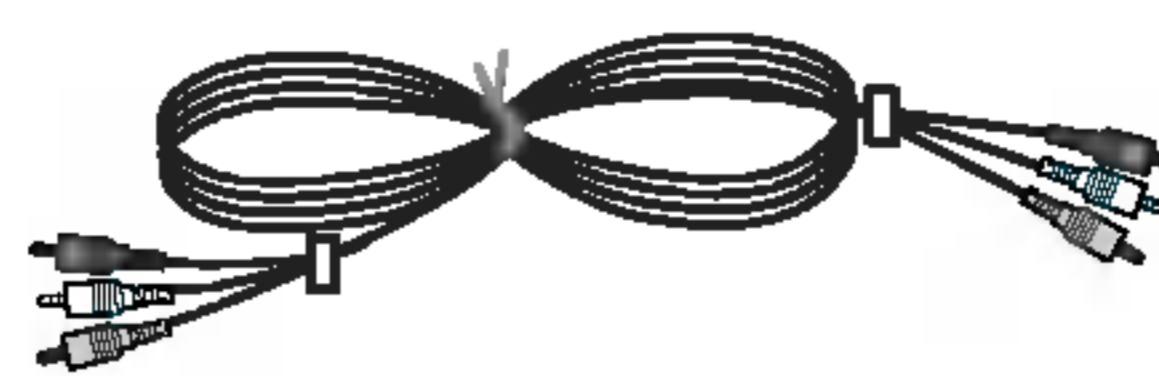
- Optional extras can be changed or modified for quality improvement. Without any notification new optional extras can be added.
- Contract your dealer for buying these items.



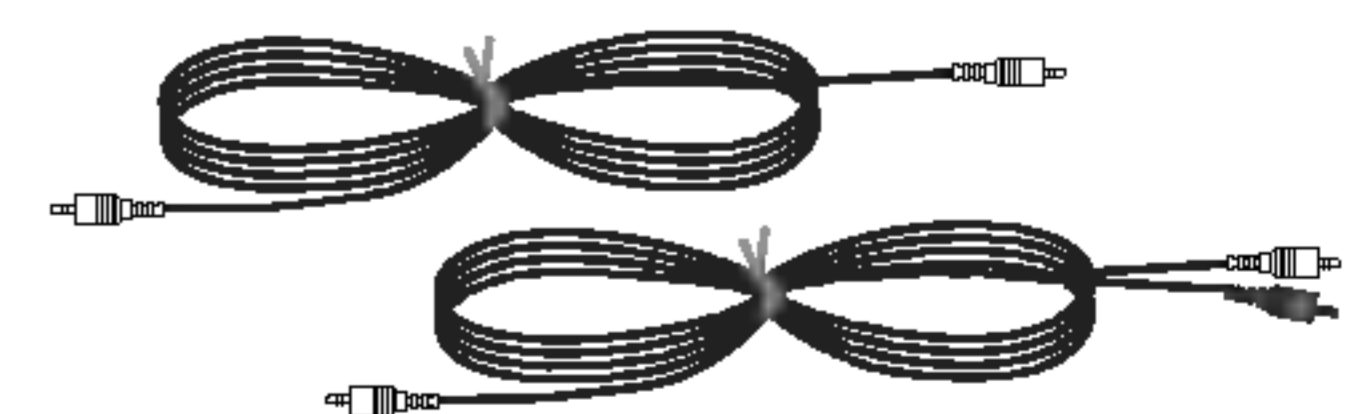
Tilt wall mounting bracket



Ceiling mounting bracket



Video cables

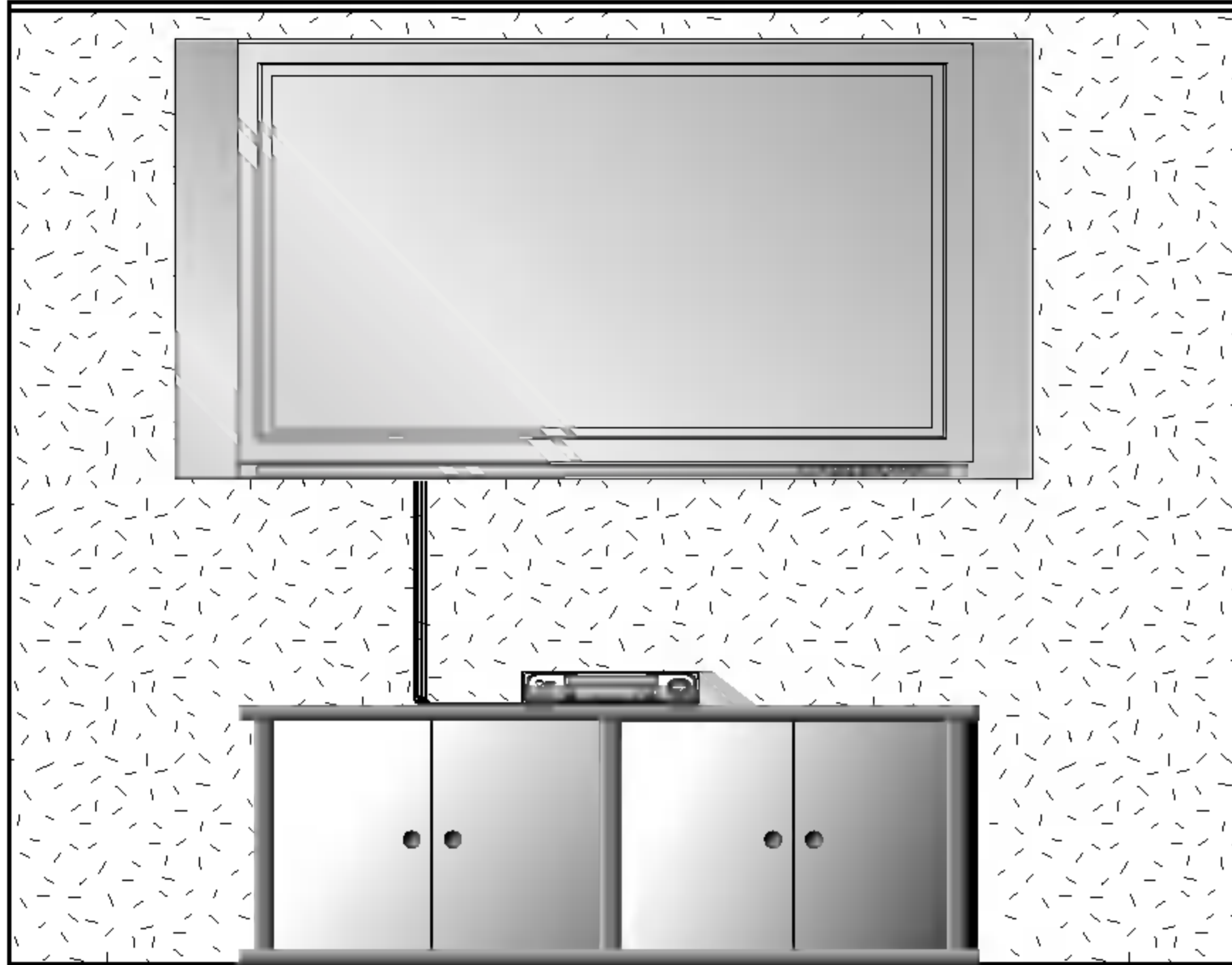


Audio cables

Installation Options

- The set can be installed in different ways such as on a wall, or on a desktop etc.
- Install this set only in a location where adequate ventilation is available.

Wall Mount: Horizontal Installation



- The set can be installed on a wall as shown above. (For further information, refer to the optional 'Wall Mounting Bracket Installation and Setup Guide'.)

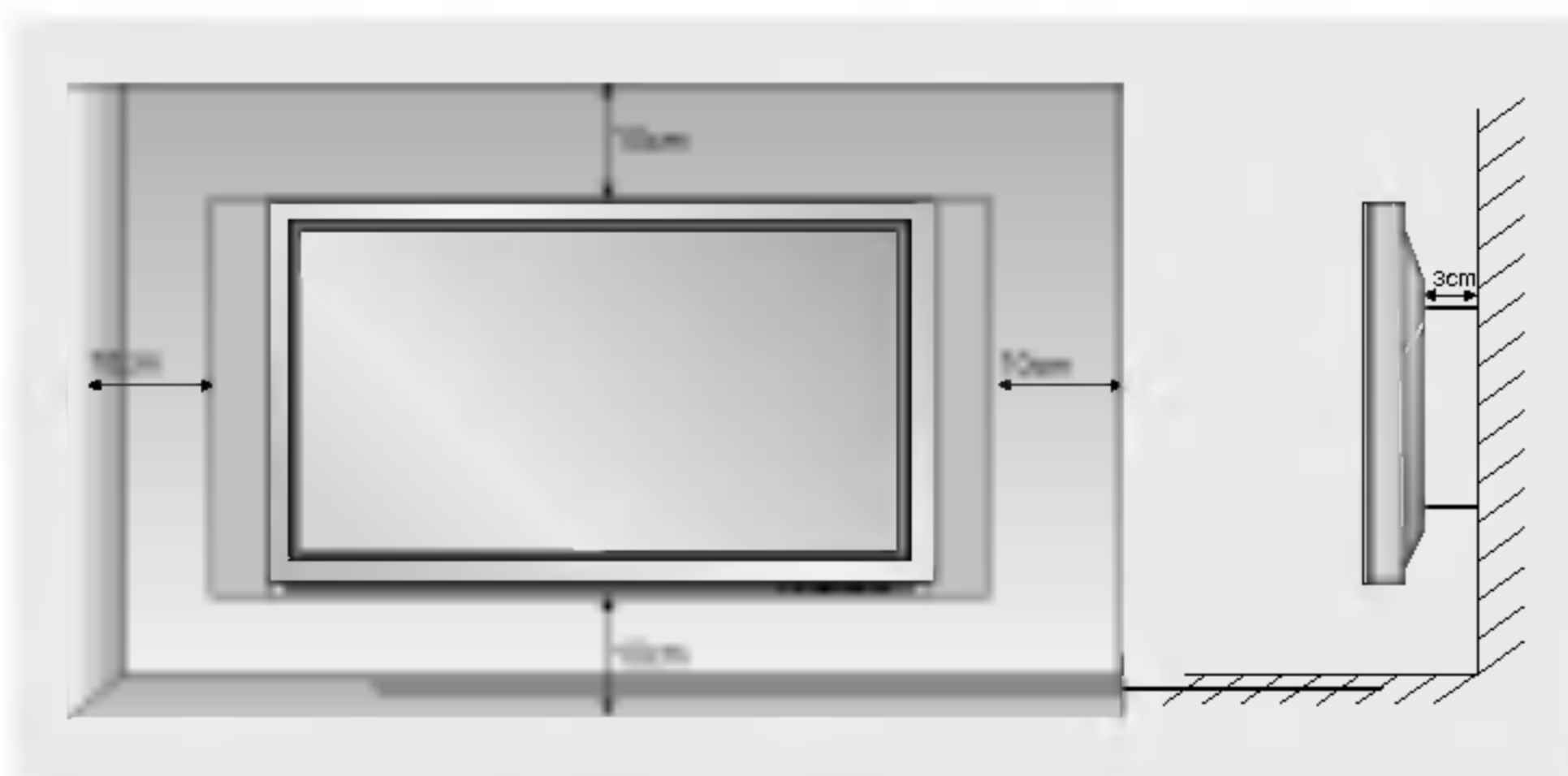
Desktop Pedestal Installation



- The set can be mounted on a desk as shown above.

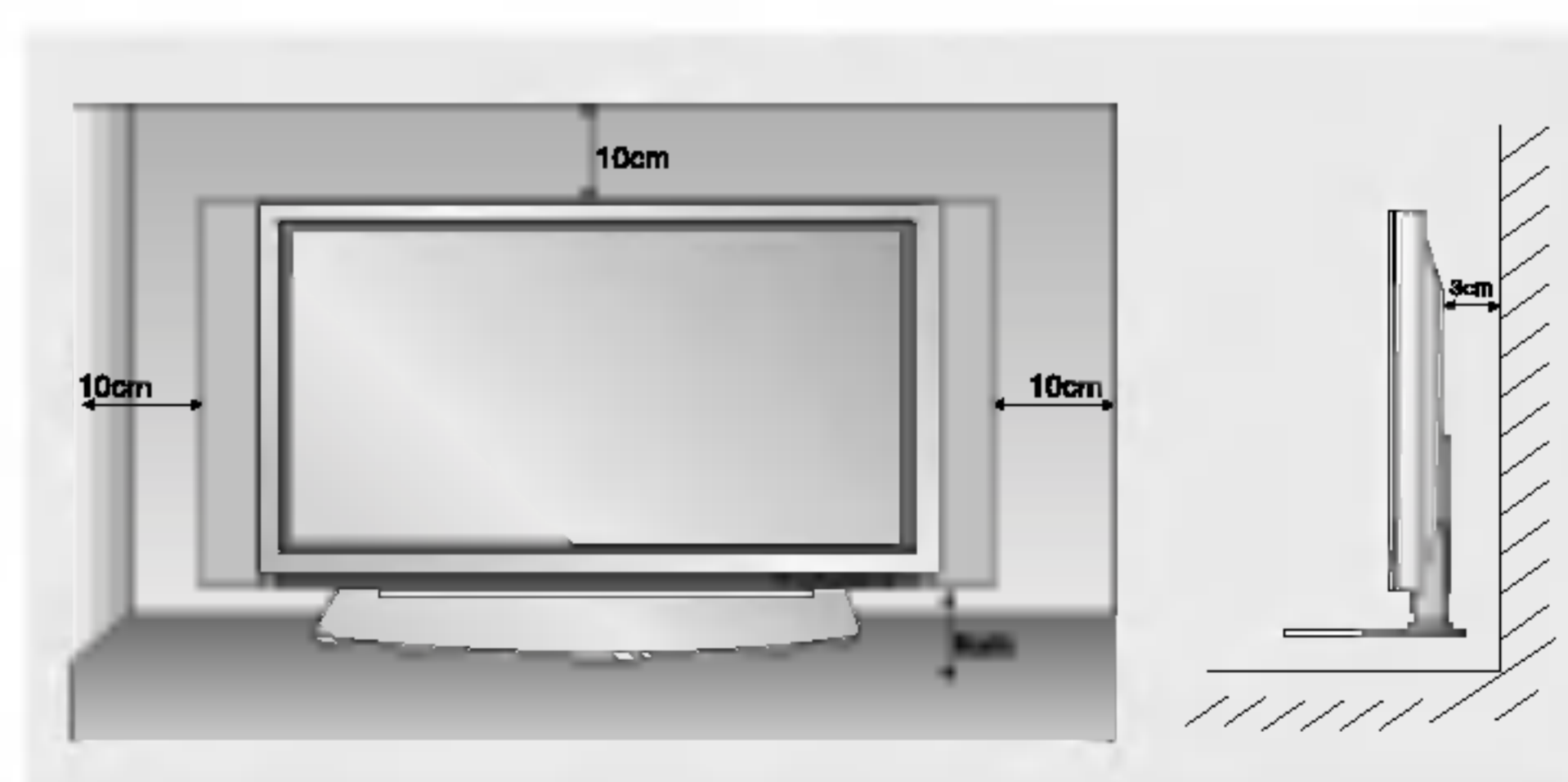
To Mount on a Wall

Wall mount minimum allowable clearances for adequate ventilation.



To Install on a Desktop

Pedestal mount minimum allowable clearances for adequate ventilation.



Turning on the Set

42PX3RV series

- When using the remote control, aim it at its sensor on the set.

Turning on the set just after installation

1. Connect power cord correctly, the set is switched to standby mode.
2. Press the \odot / I, **INPUT** or **TV/AV** or **PR** \blacktriangle / \blacktriangledown button on the set or press the **POWER**, **INPUT** or **TV/AV**, **MULTIMEDIA**, \blacktriangle / \blacktriangledown or **NUMBER** buttons on the remote control and then the set will switch on.

Turning on the set (power cord is still connected)

If the set was turned off with the remote control power button and the \odot / I button on the set

- Press the \odot / I, **INPUT** or **TV/AV** or **PR** \blacktriangle / \blacktriangledown button on the set or press the **POWER**, **INPUT** or **TV/AV**, **MULTIMEDIA**, \blacktriangle / \blacktriangledown or **NUMBER** button on the remote control to turn the set on.

42PX2RV series

- When using the remote control, aim it at its sensor on the set.

Turning on the set just after installation

1. Connect power cord correctly.
2. Press the $\textcircled{1}$ **ON/OFF** button on the set. At this moment, the set is switched to standby mode. Press the **INPUT** or **TV/AV** or **PR** \blacktriangle / \blacktriangledown button on the set or press the **POWER**, **INPUT** or **TV/AV**, **MULTIMEDIA**, \blacktriangle / \blacktriangledown or **NUMBER** buttons on the remote control and then the set will switch on.

Turning on the set (power cord is still connected)

1. If the set was turned off with the $\textcircled{1}$ **ON/OFF** button on the set

- Press the $\textcircled{1}$ **ON/OFF** button on the set to turn the set on.

2. If the set was turned off with the remote control and the $\textcircled{1}$ **ON/OFF** button on the set

- Press the $\textcircled{1}$ **ON/OFF** button on the set and then press the **INPUT** or **TV/AV** or **PR** \blacktriangle / \blacktriangledown button on the set or press the **POWER**, **INPUT** or **TV/AV**, **MULTIMEDIA**, \blacktriangle / \blacktriangledown or **NUMBER** button on the remote control to turn the set on.

On-Screen Menu Language Selection (option)

- The menus can be shown on the screen in the selected language. First select your language.

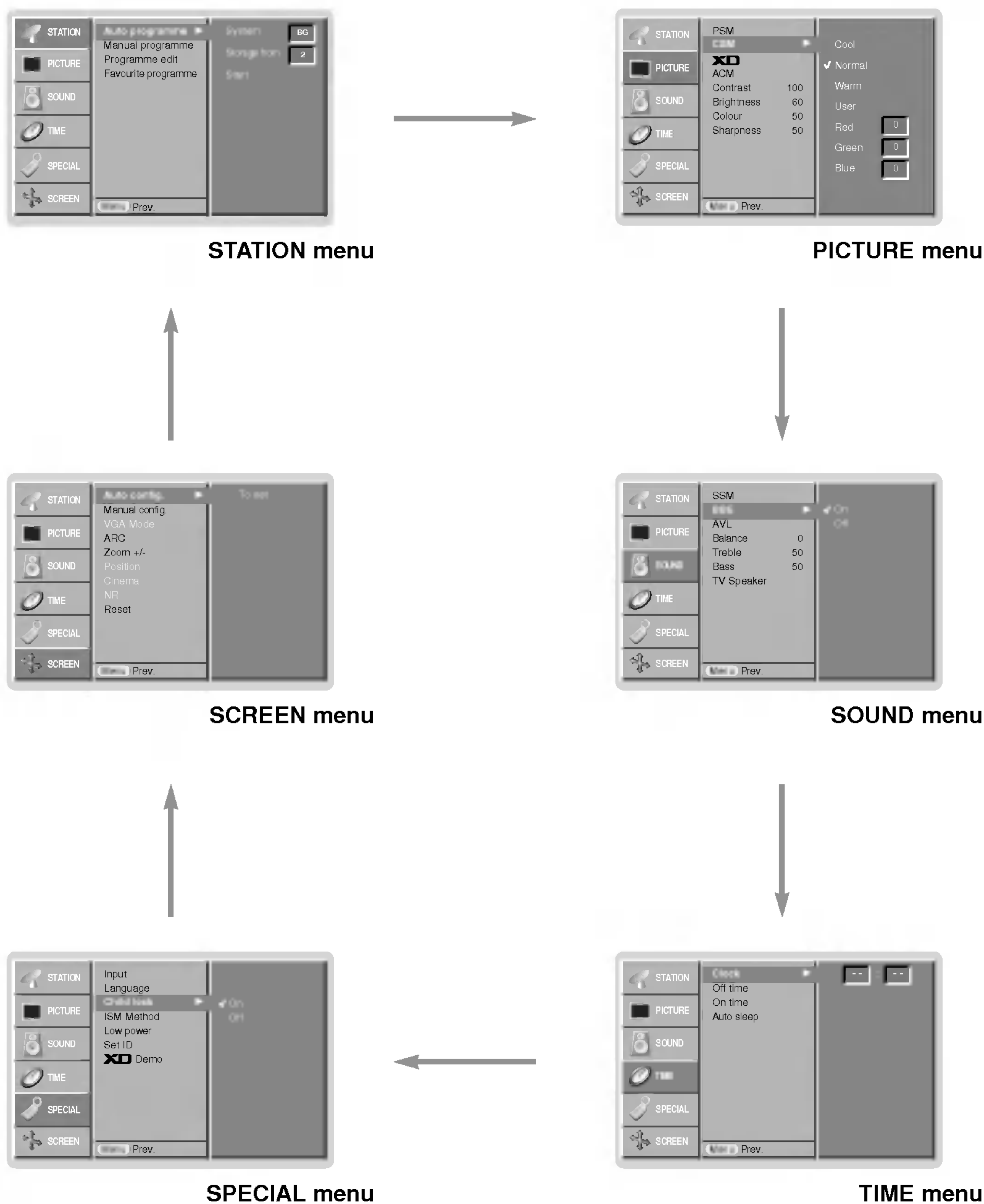
1. Press the **MENU** button and then use \blacktriangle / \blacktriangledown button to select the **SPECIAL** menu.
2. Press the \blacktriangleright button and then use \blacktriangle / \blacktriangledown button to select **Language**.
3. Press the \blacktriangleright button and then use \blacktriangle / \blacktriangledown button to select your desired language.
From this point on, the on-screen menus will be shown in the language of your choice.
4. Repeatedly press the **MENU** button to return to normal TV viewing.

On screen menus

- The dialogue between you and your set takes place on screen with an operator menu. The buttons required for the operating steps are also displayed.

Menu selection

1. Press the **MENU** button and then **▲ / ▼** button to display each menu.
2. Press the **▶** button and then the **◀ / ▶** button to select a menu item.
3. Repeatedly press the **MENU** button to return to normal TV viewing.

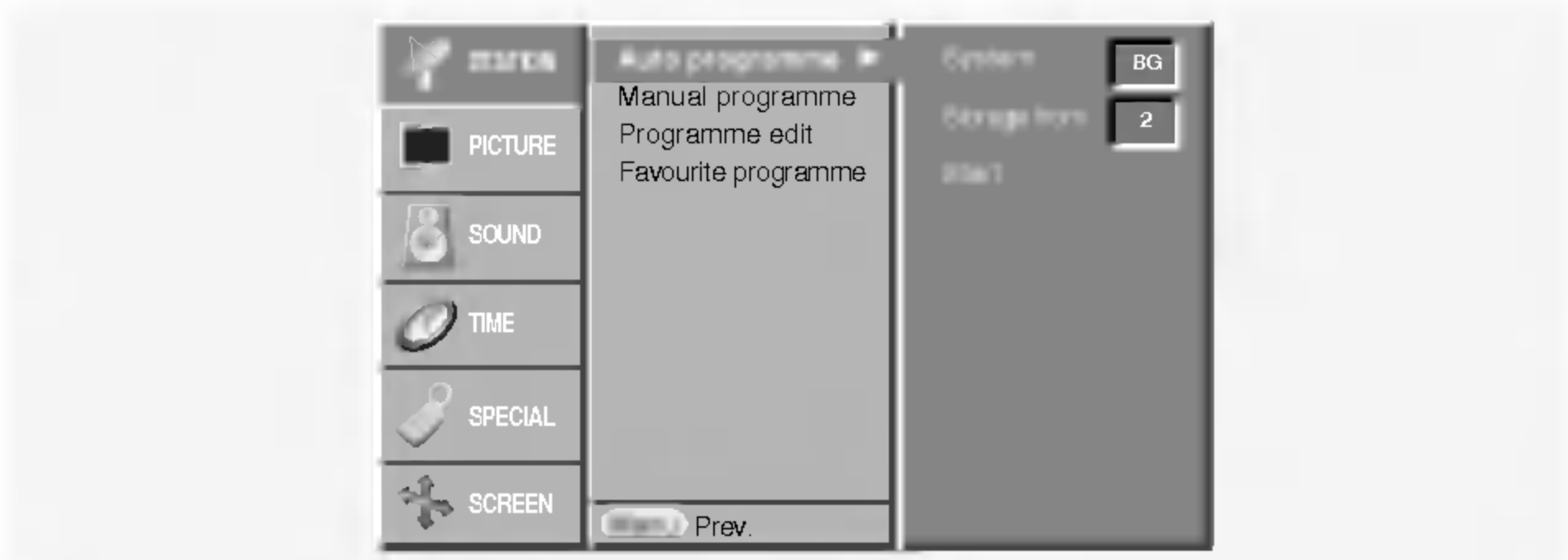


Channel Menu Options

Auto Programme Tuning

- All stations that can be received are stored by this method. It is recommended that you use auto programme during installation of this set.

1. Press the **MENU** button and then use **▲ / ▼** button to select



the **STATION** menu.

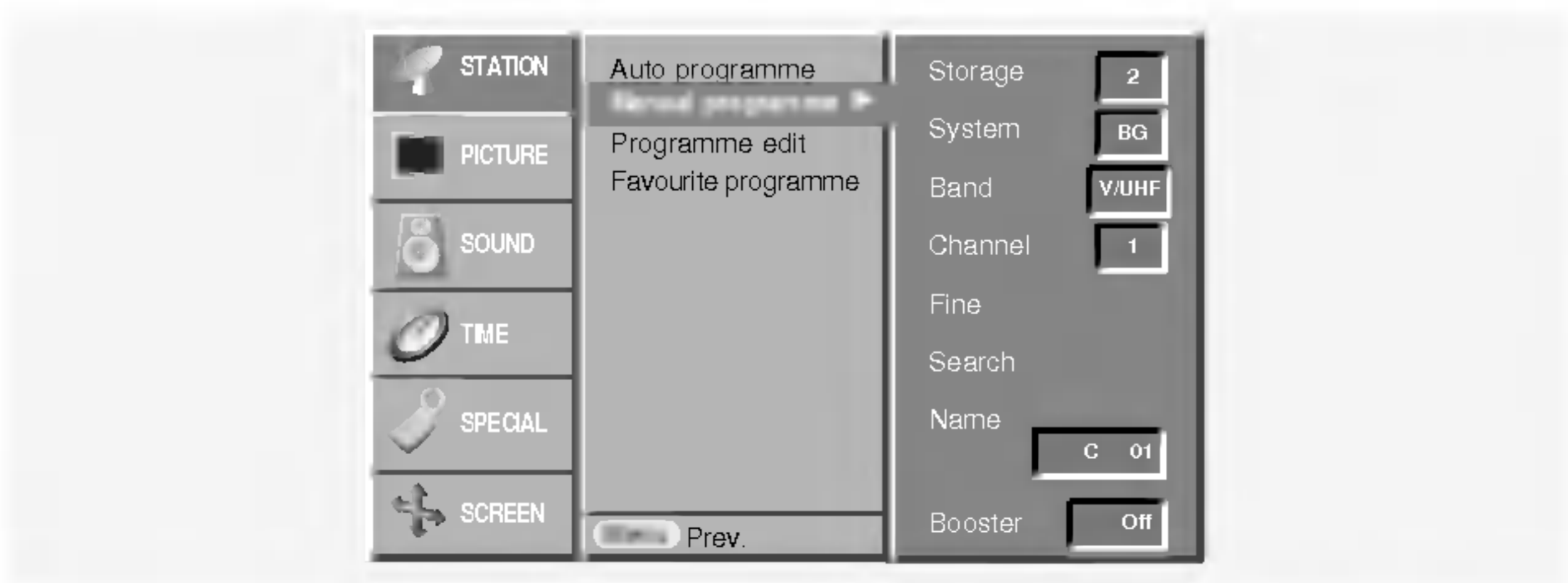
2. Press the **▶** button and then **▲ / ▼** button to select **Auto programme**.
3. Press the **▶** button to select **System**. Select a TV system with the **◀ / ▶** button;
 - L** : SECAM L/L' (option)
 - BG** : PAL B/G, SECAM B/G (Europe / East Europe / Asia / New Zealand / M.East / Africa / Australia)
 - I** : PAL I/II (U.K. / Ireland / Hong Kong / South Africa)
 - DK** : PAL D/K, SECAM D/K (East Europe / China / Africa / CIS)
 - M** : (USA / Korea / Philippines) (option)
4. Press the **▼** button to select **Storage from**. Select the beginning programme number with the **◀ / ▶** button or NUMBER buttons on the **Storage from** menu.
5. Press the **▼** button to select **Start**.
6. Press the **▶** button to begin auto programming. All receivable stations are stored.

Note : In some models, the station name is stored for stations which broadcast VPS (Video Programme Service), PDC (Programme Delivery Control) or TELETEXT data. If no station name can be assigned to a station, the channel number is assigned and stored as **C** (V/UHF 01-69) or **S** (Cable 01-47), followed by a number.

To stop auto programming, press the **MENU** button. When auto programming is completed, the **Programme edit** menu appears on the screen. See the 'Programme edit' section to edit the stored programme.

Manual Programme Tuning

- Manual programme lets you manually tune and arrange the stations in whatever order you desire. Also you can assign a station name with five characters to each programme number.

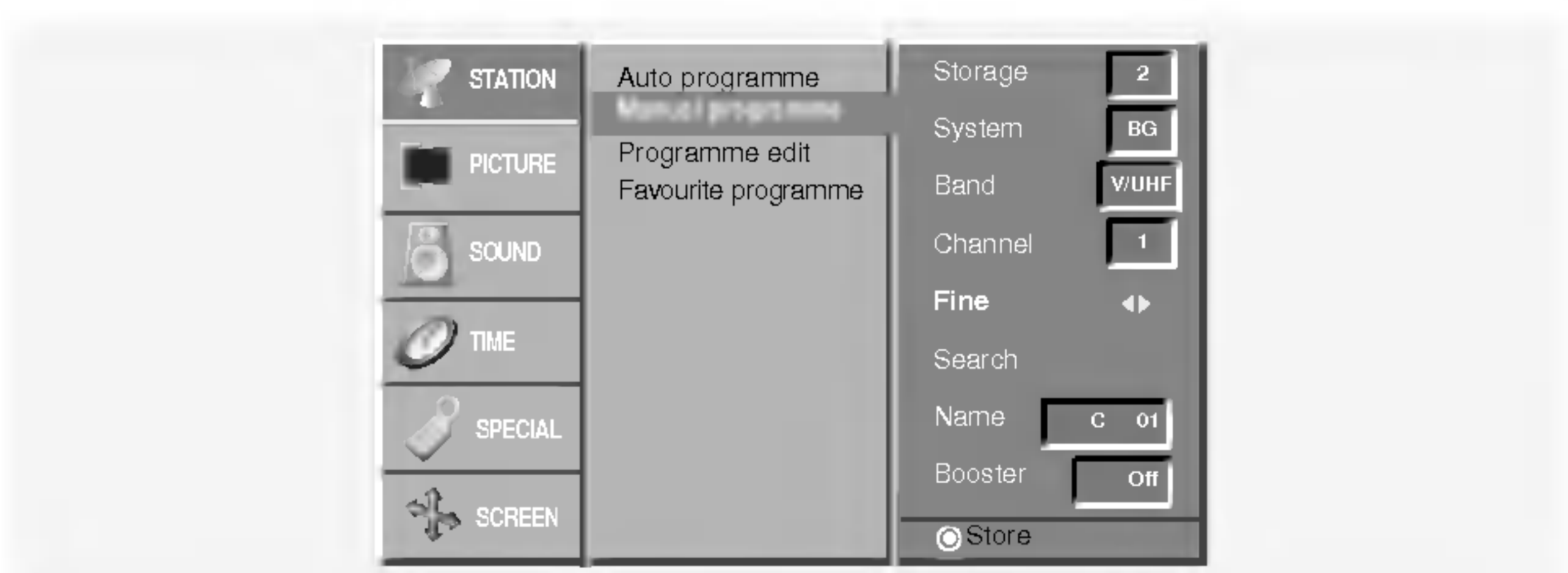


1. Press the **MENU** button and then use **▲ / ▼** button to select the **STATION** menu.
2. Press the **▶** button and then **▲ / ▼** button to select **Manual programme**.
3. Press the **▶** button to select **Storage**. Select the desired programme number with the **◀ / ▶** button or NUMBER buttons on the **Storage** menu.
4. Press the **▼** button to select **System**. Select a TV system with the **◀ / ▶** button;
 - L** : SECAM L/L' (option)
 - BG** : PAL B/G, SECAM B/G (Europe / East Europe / Asia / New Zealand / M.East / Africa / Australia)
 - I** : PAL I/II (U.K. / Ireland / Hong Kong / South Africa)
 - DK** : PAL D/K, SECAM D/K (East Europe / China / Africa / CIS)
 - M** : (USA / Korea / Philippines) (option)
5. Press the **▼** button to select **Band**. Press the **◀ / ▶** button to select **V/UHF** or **Cable** as required.
6. Press the **▼** button to select **Channel**. You can select the desired channel number with the **◀ / ▶** button or NUMBER buttons. If possible, select the channel number directly with the number buttons.
7. Press the **▼** button to select **Search**. Press the **◀ / ▶** button to commence searching. If a station is found the search will stop.
8. Press the **OK** button to store it.
9. To store another station, repeat steps 3 to 8.

Fine Tuning

- Normally fine tuning is only necessary if reception is poor.

1. Repeat the 'Manual programme tuning' steps 1 to 2.
2. Press the **▶** button and then **▲ / ▼** button to select **Fine**.
3. Press the **◀ / ▶** button to fine tune for the best picture and sound.

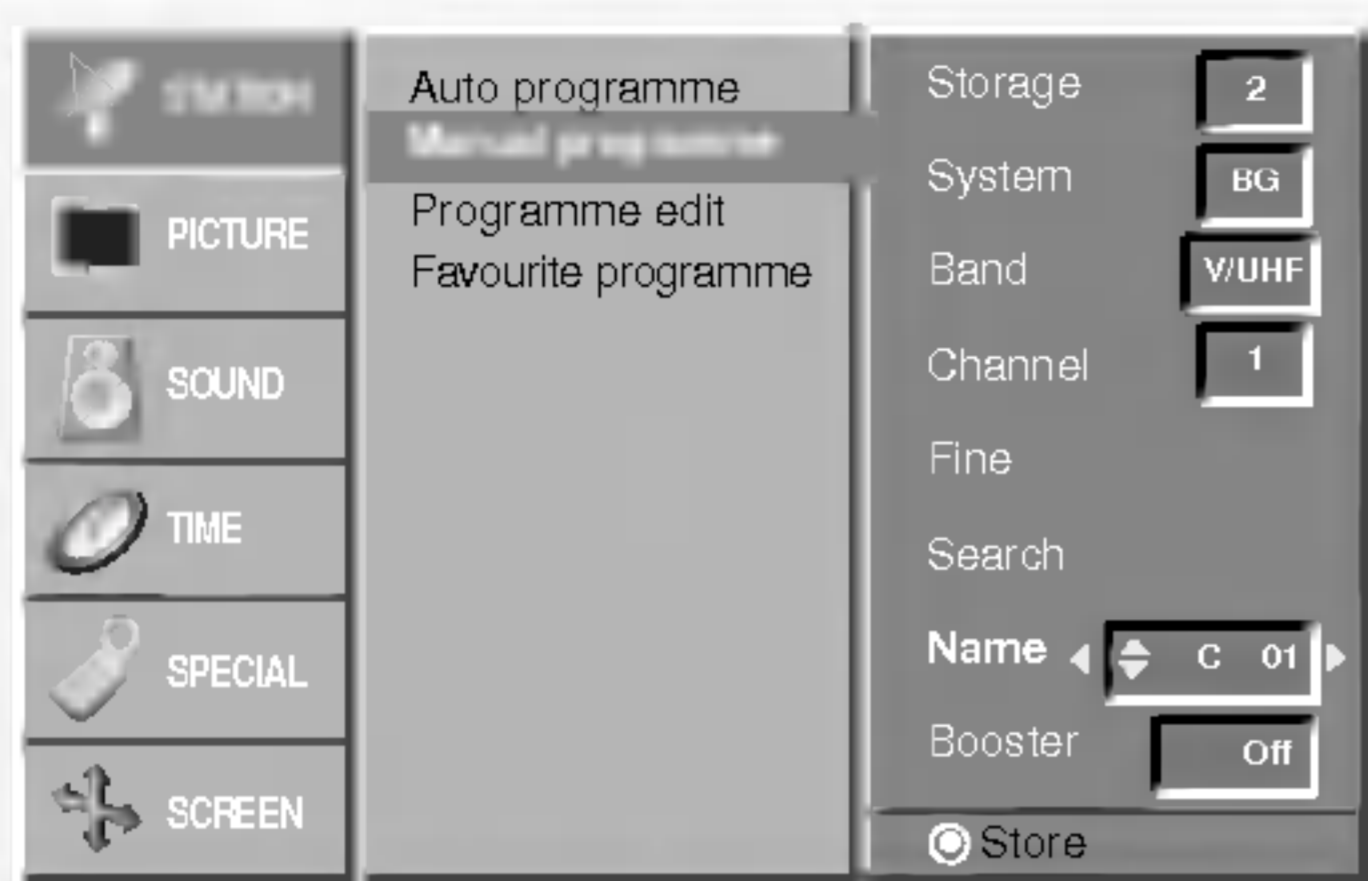


4. Press the **OK** button. The finely tuned programme will be indicated by a yellow number during programme selection.
5. Repeatedly press the **MENU** button to return to normal TV viewing.

Channel Menu Options

Assigning a Station Name

1. Repeat the 'Manual programme tuning' steps 1 to 2.
2. Press the ► button and then ▲ / ▼ button to select **Name**.
3. Press the ► button to display the **Name** menu.



4. Press the ▲ button. You can use a blank, +, -, the alphabet **A** to **Z** and the numeric **0** to **9**.
With the ▼ button you can select in the opposite direction.
5. Select the next position by pressing the ► button and then make your choice of the second character, and so on.
6. Press the **OK** button in twice.
7. Repeatedly press the **MENU** button to return to normal TV viewing.

Booster (option)

In some models, **Booster** is an optional function. Only a set with **Booster** can perform this function.

If the reception is poor at the fringe area of TV signal, select **Booster** to **On**.

1. Repeat the 'Manual programme tuning' steps 1 to 2.
2. Press the ► button and then ▲ / ▼ button to select **Booster**.
3. Press the ◀ / ▶ button to select **On** or **Off**.
4. Press the **OK** button.
5. Repeatedly press the **MENU** button to return to normal TV viewing.

Programme Edit

- This function enables you to delete or skip the stored programmes. Also you can move some stations to other programme numbers or copy a blank station data into the selected programme number.

1. Press the **MENU** button and then use ▲ / ▼ button to select the **STATION** menu.
2. Press the ► button and then ▲ / ▼ button to select **Programme edit**.
3. Press the ► button to display the **Programme edit** menu.



Deleting a programme

1. Select a programme to be deleted with the ▲ / ▼ or ◀ / ▶ button.
2. Press the **RED** button twice.
The selected programme is deleted, all the following programmes are shifted up one position.

Copying a programme

1. Select a programme to be copied with the ▲ / ▼ or ◀ / ▶ button.
2. Press the **GREEN** button.
All the following programmes are shifted down one position.

Moving a programme

1. Select a programme to be moved with the ▲ / ▼ or ◀ / ▶ button.
2. Press the **YELLOW** button.
3. Move the programme to the desired programme number with the ▲ / ▼ or ◀ / ▶ button.
4. Press the **YELLOW** button again to release this function.

Skipping a programme number

1. Select a programme number to be skipped with the ▲ / ▼ or ◀ / ▶ button.
2. Press the **BLUE** button. The skipped programme turns to blue.
3. Press the **BLUE** button again to release the skipped programme.
When a programme number is skipped it means that you will be unable to select it using the ▲ / ▼ button during normal TV viewing. If you want to select the skipped programme, directly enter the programme number with the **NUMBER** buttons or select it in the programme edit or table menu.

Favourite Programme

- This function lets you select your favourite programmes directly.

1. Press the **MENU** button and then use ▲ / ▼ button to select the **STATION** menu.
2. Press the ► button and then ▲ / ▼ button to select **Favourite programme**. (or, press the ► button and then ▲ / ▼ button to select **On**.)
3. Press the ► button to display the **Favourite programme** menu.
4. Press the ▲ / ▼ button to select -- ----.
5. Select a desired programme with the ◀ / ▶ button or **NUMBER** buttons. Any number under 10 is entered with a numeric '0' (or '00') in front of it, i.e. '05' (or '005') for 5.
6. To store another programme, repeat steps 4 to 5.
You can store up to 8 programmes.
7. Press the **OK** button.
8. Repeatedly press the **MENU** button to return to normal TV viewing.

Repeatedly press the **Q.VIEW** or **FAV** button to select stored favorite programmes.

Calling up the Programme Table

- You can check the programmes stored in the memory by displaying the programme table.

Displaying programme table

Press the **LIST** button to display the Programme table menu. The programme table appears on the screen.

- You may find some blue highlighted programmes shown. They have been set up in the programme edit mode.
- Some programmes with the channel number shown in the programme table indicate there is no station name assigned.

Selecting a programme in the programme table

Select a programme with the ▲ / ▼ or ◀ / ▶ button.

Then press the **OK** button.

The Plasma Display switches to the chosen programme number.

Paging through a programme table

There are 10 programme table pages in which contain 100 programmes. Pressing the ▲ / ▼ or ◀ / ▶ button repeatedly turns the pages.

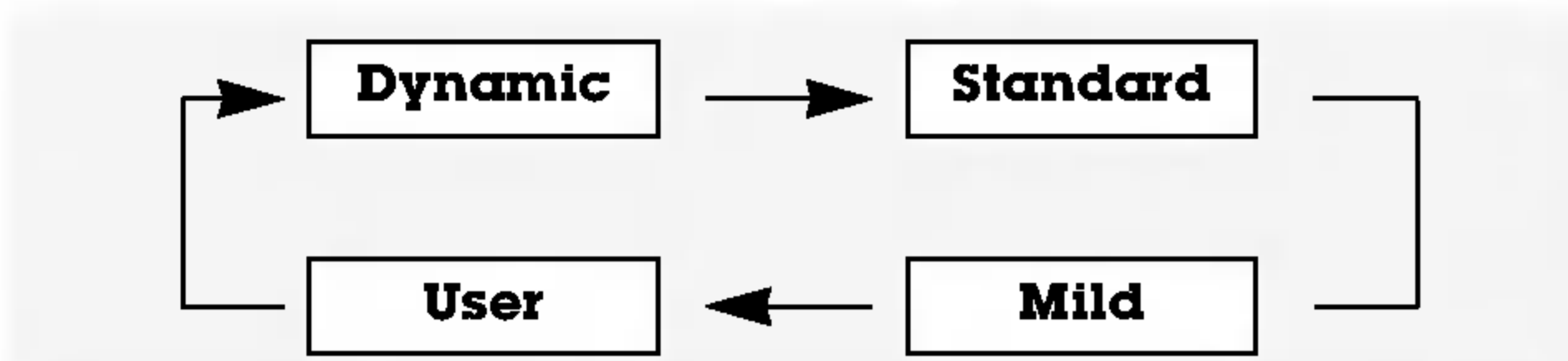
Press the **LIST** button to return to normal TV viewing.

Picture Menu Options

PSM (Picture Status Memory)

- This function adjusts the set to the best picture appearance.
- When adjusting picture options (contrast, brightness, colour, sharpness and tint (NTSC AV only)) manually, PSM is automatically changed to **User**.

1. Press the **PSM** button
- Each press of the **PSM** button changes the screen display as shown below.



- You can also select **Dynamic**, **Standard**, **Mild** or **User** in the PICTURE menu.
- Picture options **Dynamic**, **Standard** and **Mild** are preset and programmed for good picture quality at the factory and cannot be changed.

CSM (Colour Status Memory)

- To initialize values (reset to default settings), select the **Normal** option.



Manual Colour Temperature Control

- You can adjust red, green, or blue to any colour temperature you prefer.

XD

- You can enjoy the vivid and hi-definition picture with LG's Excellent Digital Reality processor technology.
- It's not available to use this function in RGB[PC], HDMI[PC] mode.
- When selecting picture options (**Dynamic**, **Standard** and **Mild**) in PICTURE menu, **XD** is automatically changed to **On**.

sRGB

- When the set was connected to external equipment with sRGB function, It's adjusted a colour difference to display the equal image each other.
- This function works in the following mode:RGB[PC], HDMI[PC].

ACM (Active Colour Management)

- Adjust the **ACM** to select the desired skin colour option.
- This function works in the following mode:
TV, AV1, AV2, S-Video2, AV3, AV4, AV5 or COMPONENT, RGB[DTV], HDMI[DTV].
- It's not available to use this function in **XD Off** mode.

Manual Picture Control

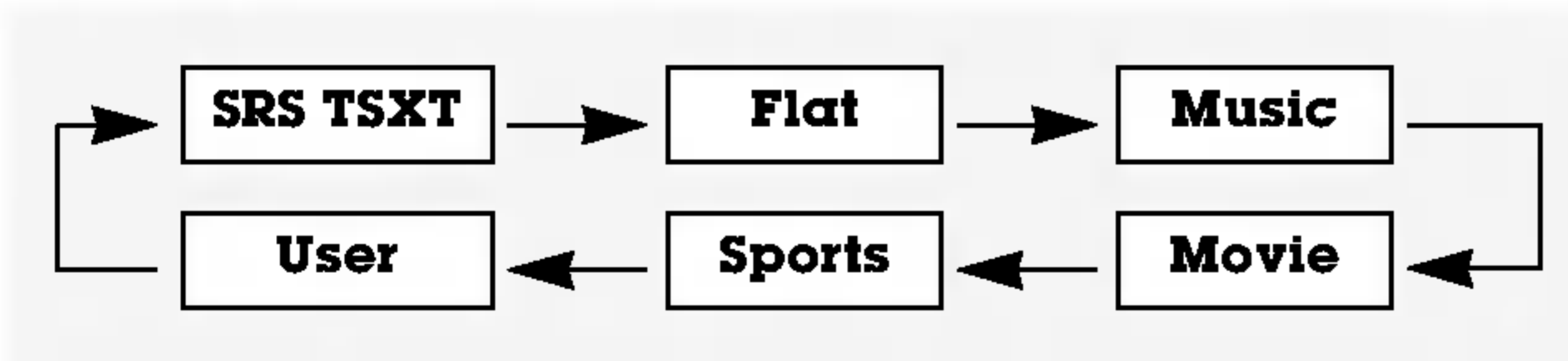
- You can adjust picture contrast, brightness, colour, sharpness and tint (NTSC AV only) to the levels you prefer.
- It's not available to use colour, sharpness function in RGB[PC], HDMI[PC] mode.
- In the broadcasting system PAL/SECAM, the picture item Tint doesn't work.

Sound Menu Options

SSM (Sound Status Memory)

- This function lets you enjoy the best sound without any special adjustment because the set automatically selects the appropriate sound option based on the program content.
- When adjusting sound options (treble and bass) manually, SSM is automatically changed to **User**.

1. Press the **SSM** button.
2. Press the **SSM** button to select your desired sound.



- **SRS** is a trademark of SRS Labs, Inc.
- TruSurround XT technology is incorporated under license from SRS Labs, Inc.

BBE

- BBE High Definition Sound restores clarity and presence for

better speech intelligibility and musical realism.



BBE. Manufactured under license from BBE Sound, Inc.

AVL (Auto Volume Leveler)

- This feature maintains an equal volume level; even if you change channels.

Adjusting Sound Control

Note : Treble, Bass or BBE aren't suitable to use **SRS TSXT**.

Sound Menu Options

TV Speaker

- You can adjust internal speaker status.
- In COMPONENT, RGB[PC] and HDMI[PC] mode, TV speaker/variable audio can be output even though there is no video signal.
- If you want to use your external hi-fi stereo system, turn off the internal speakers of the set.

Stereo / Dual Reception

- When a programme is selected, the sound information for the station appears after the programme number and station name disappear.

On Screen Display

Press the **I/II** button to received broadcast state.

| | |
|-----------|-------------------|
| Broadcast | On screen Display |
| Mono | MONO |
| Stereo | STEREO |
| Dual | DUAL I |

Mono Sound Selection

In stereo reception if the stereo signal is weak, you can switch to mono by pressing the **I/II** button twice. In mono reception the depth of sound is improved. To switch back to stereo, press the **I/II** button twice again.

Language Selection for Dual Language Broadcast

If a programme received in two languages (dual language), you can switch to **DUAL I**, **DUAL II** or **DUAL I + II** by pressing the **I/II** button repeatedly.

- **DUAL I** sends the primary broadcast language to the loudspeakers.
- **DUAL II** sends the secondary broadcast language to the loudspeakers.

- **DUAL I + II** sends a separate language to each loudspeaker.

NICAM Reception (option)

- If your Plasma Display is equipped with the PDP Tuner for NICAM reception, the high quality NICAM (Near Instantaneous Companding Audio Multiplex) digital sound can be received.

Sound output can be selected according to the type of received broadcast as follows by pressing the **I/II** button repeatedly.

- When NICAM mono is received, you can select **NICAM MONO** or FM MONO.
- When NICAM stereo is received, you can select **NICAM STEREO** or FM MONO. If the stereo signal is weak, switch to FM mono.
- When NICAM dual is received, you can select **NICAM DUAL I**, **NICAM DUAL II**, **NICAM DUAL I + II**, or **MONO**. When FM mono is selected the display **MONO** appears on the screen.

Sound output selection

In AV, Component, RGB or HDMI mode, you can select output sound for the left and right loudspeakers.

Repeatedly press the **I/II** button to select the sound output.

- **L+R** : Audio signal from audio L input is sent to left loud-speaker and audio signal from audio R input is sent to right loud-speaker.
- **L+L** : Audio signal from audio L input is sent to left and right loud-speakers.
- **R+R** : Audio signal from audio R input is sent to left and right loud-speakers.

Time Menu Options

Setting the Clock

- If current time setting is erased by a power failure or the set is unplugged, reset the clock.



Setting the On/Off Timer

- Timer function operates only if current time has been already set.
- Off Timer function overrides on Timer function if they are set to the same time.
- The set must be in standby mode for the On Timer to work.
- Two hours after the set is switched on by the on time function it will automatically switch back to standby mode unless a button has been pressed.

Auto Sleep

- If there is no input signal, the monitor turn off automatically after 10 minutes.

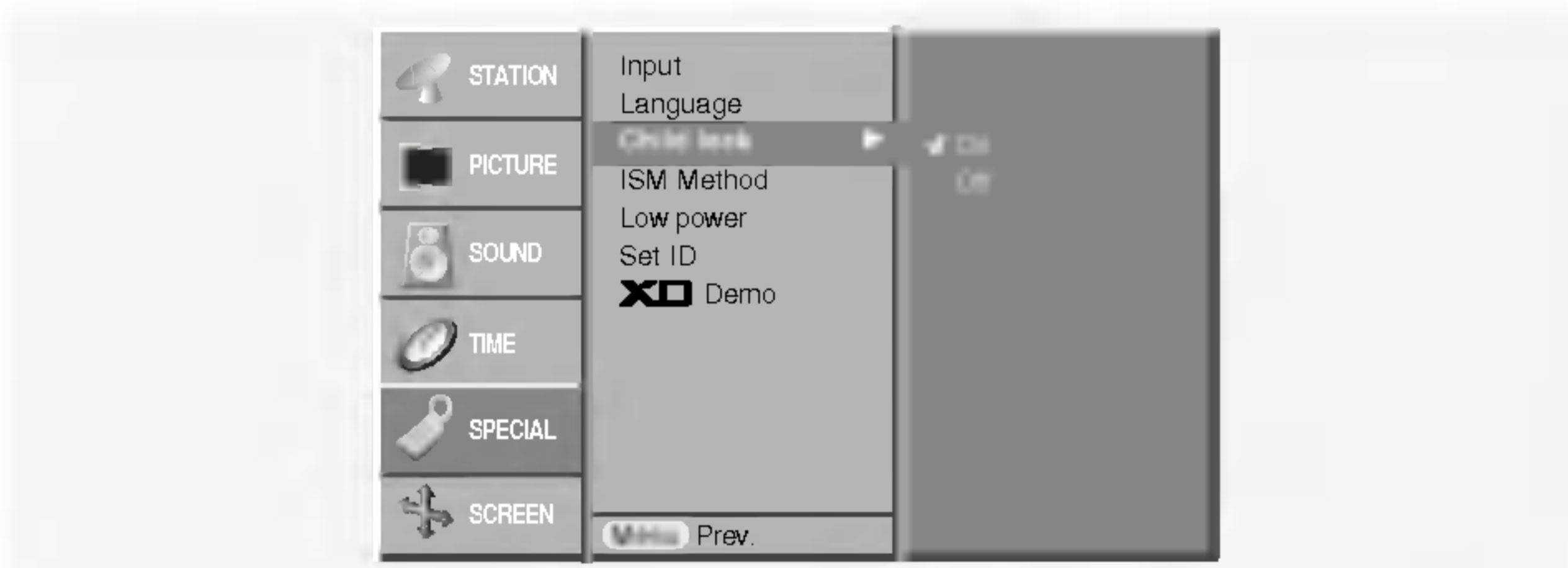
Sleep Timer

- Sleep timer turns the set off at the preset time.
 - Press the **SLEEP** button to select the number of minutes. The display **L^{zz} Min** will appear on the screen, followed by **10, 20, 30, 60, 90, 120, 180** and **240** minutes. The timer begins to count down from the number of minutes selected.
- To check the remaining sleep time, press the **SLEEP** button once.
 - To cancel the sleep time, repeatedly press the **SLEEP** button until the display **L^{zz} Min** appears.
 - If you turn the set off after setting the sleep timer, the setting will be erased.

Special Menu Options

Child Lock

- The set can be set up so that it can only be used with the remote control.
- This set programmed to remember which option it was last set to even if you turn the set off.
- In **Child lock 'On'**, if the set is turned off, press the **INPUT** or **TV/AV, PR ▲ / ▼** button on the set or **POWER, INPUT** or **TV/AV, MULTIMEDIA, ▲ / ▼** or **NUMBER** buttons on the remote control.
- With the **Child lock On**, the display '▲ Child lock on' appears on the screen if any button on the front panel is pressed while viewing the set.



ISM (Image Sticking Minimization) Method

- Frozen still picture from a PC/video game displayed on the screen for prolonged periods will result in an ghost image remaining even when you change the image. Avoid allowing a fixed image to remain on the set's screen for a long period of time.

• White Wash :

White Wash removes permanent images from the screen.
Note: An excessive permanent image may be impossible to clear entirely with White Wash.

• Orbiter :

Orbiter may help prevent ghost images. However, it is best not to allow any fixed image to remain on the screen. To avoid a permanent image on the screen, the screen will move every 2 minutes.

• Inversion :

This is the function to invert the panel colour of the screen. The panel colour is automatically inverted every 30 minutes.

Low Power

- This is the function to reduce the power consumption of the set.

XD Demo

- Use it to see the difference between XD demo on and XD Demo off.
- It's not available to use this function in RGB[PC], HDMI[PC] mode.

Screen Menu Options

Auto Configure

- Automatically adjusts picture position and minimizes image shaking.
- This function works in the following mode : RGB[PC].
 - When **Auto config.** has finished, **OK** will be shown on screen.
 - If the position of the image is still not correct, try Auto adjustment again.
- If picture needs to be adjusted more after Auto adjustment in RGB[PC], you can adjust the **Manual Config.**
- Although the image is still not correct, your set is functioning properly but needs further adjustment.
- The **Auto config.** functions don't need to be run for HDMI mode.



Manual Configure

- If the picture isn't clear after auto adjustment and especially that characters are still trembling, adjust the picture phase manually.
- To correct the screen size, adjust **Clock**.
- This function works in the following mode : RGB[PC], RGB[DTV], COMPONENT (480p/576p/720p/1080i), HDMI (480p/576p/720p/1080i).
- It's not available to use Phase, Clock function in RGB[DTV], COMPONENT (480p/576p/720p/1080i), HDMI (480p/576p/720p/1080i) mode.

Selecting Wide VGA/XGA mode

- To see a normal picture, match the resolution of RGB mode and selection of VGA/XGA mode.
- In some models, it's not available to selection of XGA mode.
- This function works in the following mode : RGB[PC].

Screen Menu Options

Setting Picture Format

- You can watch the screen in various picture formats; **Spectacle, Full** (option), **Original, 4:3, 16:9** (Wide), **14:9** and **Zoom**.
 - **Spectacle**
When your TV receives the wide screen signal, following selection will lead you to adjust the picture horizontally, in non-linear proportion, to fill the entire screen.
 - **Full** (option)
When your TV receives the wide screen signal, following selection will lead you to adjust the picture horizontally or vertically, in a linear proportion, to fill the entire screen fully.
 - **Original**
When your TV receives the wide screen signal, it will be automatically changed to the picture format to be sent.
 - **4:3**
Following selection will lead you to view a picture with an original 4:3 aspect ratio, with gray bars appearing at both the left and right sides.
 - **16:9** (Wide)
Following selection will lead you to adjust the picture horizontally, in a linear proportion, to fill the entire screen (useful for viewing 4:3 formatted DVDs).
 - **14:9**
You can enjoy the picture format of 14:9 or general TV programme through the 14:9 mode. The screen 14:9 is viewed just like that the screen 4:3 is magnified to the left / right.
 - **Zoom**
Following selection will lead you to view the picture without any alternation, while filling the entire screen. However, the top and bottom portions of the picture will be cropped.
- You can only select **4:3** and **16:9** (Wide) in RGB[PC], HDMI[PC] mode only.

- You can only select **4:3, 16:9** (Wide) and **Zoom** in RGB[DTV], HDMI[DTV], Component [DTV] mode only.
- You can only select **Spectacle, Full** (option), **4:3, 16:9** (Wide), **14:9** and **Zoom** in Component [480i/576i] mode only.
- There might be uncomfortable in full mode. Then change into other mode.

Picture Size Zoom

- When enlarging or reducing the picture, the screen may be display unnatural picture.

Screen Position

- You can available to this function after adjusting Zoom +/-.

Cinema

- When you watch the movie, this function adjusts the set to the best picture appearance.
- This function works in the following mode: TV, AV1, AV2, S-Video2, AV3, AV4, AV5 or COMPONENT 480i/576i.

NR (Noise Reduction)

- You can select **3D NR** or **MPEG NR** to reduce the picture noise which may appear on the screen during watching the TV.
- This function is not available for use in RGB[PC], HDMI[PC] mode.
- 3D NR is not available for use in RGB, HDMI, Component[DTV] mode.

Initializing (Reset to original factory value)

This function operates in current mode.
To initialize the adjusted value,

- You can initialize Phase, Clock, H-Position, V-Position, Position, Zoom +/-.

Teletext (option)

- Teletext (or TOP text) is an optional function, therefore only the set with the teletext system can receive the teletext broadcast.
- Teletext is a free service broadcast by most TV stations which gives up-to-the-minute information on news, weather, television programmes, share prices and many other topics.
- The teletext decoder of this set can support the SIMPLE, TOP and FASTEXT systems. SIMPLE (standard teletext) consists of a number of pages which are selected by directly entering the corresponding page number. TOP and FASTEXT are more modern methods allowing quick and easy selection of teletext information.

Teletext Language Selection

1. Press the **MENU** button and then use ▲ / ▼ button to select the **SPECIAL** menu.
2. Press the ► button and then use ▲ / ▼ button to select **Language**.
3. Press the ► button and then use ◀ / ▶ button to select **Teletext Language**.
4. Press the ▲ / ▼ button to select the required language.

5. Repeatedly press the **MENU** button to return to normal TV viewing.

Note :

- a. Please select your local teletext language.
- b. If you don't, the teletext may not appear correctly on the screen.

Switch on/off

Press the **TEXT** or **TEXT/★** button to switch to teletext.

- The initial page or last page appears on the screen.
Two page numbers, TV station name, date and time are displayed on the screen headline. The first page number indicates your selection, while the second shows the current page displayed.

Press the **TEXT** or **TEXT/★** button to switch off teletext.

Teletext (option)

SIMPLE Text (option)

Page selection

1. Enter the desired page number as a three digit number with the NUMBER buttons. If during selection you press a wrong number, you must complete the three digit number and then reenter the correct page number.
2. The ▲ / ▼ button can also be used to select the preceding or following page.

Programming a colour button in LIST mode

If the TV is in SIMPLE text, TOP text or FASTEXT mode, press the  button to switch to LIST mode.

Four teletext page numbers of your choice can be colour coded and easily selected by pressing the corresponding coloured button on the remote control handset.

1. Press a coloured button.
2. Using the NUMBER buttons, select the page you wish to programme.
3. Press the OK button. The selected page is stored as the selected page number, blinking once to confirm this. From now on, you can select this page with the same coloured button.
4. The three other coloured buttons are programmed in this way.

TOP Text (option)

The user guide displays four fields-red, green, yellow and blue at the bottom of the screen. The yellow field denotes the next group and the blue field indicates the next block.

Block / group / page selection

1. With the blue button you can progress from block to block.
2. Use the yellow button to proceed to the next group with automatic overflow to the next block.
3. With the green button you can proceed to the next existing page with automatic overflow to the next group. (Alternatively the ▲ button can be used.)
4. The red button permits to return to previous selection. (Alternatively the ▼ button can be used.)


Direct page selection

Corresponding to the SIMPLE text mode, you can select a page by entering it as a three digit number using the NUMBER buttons in TOP mode.

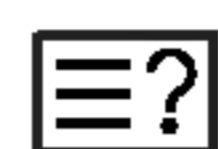
FASTEXT

The teletext pages are colour coded along the bottom of the screen and are selected by pressing the corresponding coloured button.

Page selection

1. Press the  button to select the index page.
2. You can select the pages which are colour coded along the bottom line with the same coloured buttons.
3. Corresponding to the SIMPLE text mode, you can select a page by entering its three digit page number with the NUMBER buttons in FASTEXT mode.
4. The ▲ / ▼ button can also be used to select the preceding or following page.

Special Teletext Functions



REVEAL

Press this button to display concealed information, such as solutions of riddles or puzzles.

Press this button again to remove the information from the display.



SIZE

Selects double height text.

Press this button to enlarge the top half of the page.

Press this button again to enlarge the bottom half of the page.

Press this button again to return to the normal display.



UPDATE

Displays the TV picture on the screen while waiting for the new teletext page.

Press this button to view the updated teletext page.



HOLD

Stops the automatic page change which will occur if a teletext page consists of 2 or more sub pages. The number of sub pages and the sub page displayed is, usually, shown on the screen below the time. When this button is pressed the stop symbol is displayed at the top left-hand corner of the screen and the automatic page change is inhibited.

To continue press this button again.



MIX

Displays the teletext pages superimposed on the TV picture.

To switch the TV picture off press this button again.



TIME

This button has two functions:

a) When viewing a TV programme, press this button to display the time at the top right hand corner of the screen. Press this button again to remove the display.

b) In teletext mode, press this button to select a sub page number. The sub page number is displayed at the bottom of the screen. To hold or change the sub page, press the RED/ GREEN or ▲ / ▼ buttons. Press this button again to exit this function.

Programming the Remote (option)

- ▶ The remote is a multi-brand or a universal remote. It can be programmed to operate most remote-controllable devices of other manufacturers.
Note that the remote may not control all models of other brands.

Programming a code into a remote mode

1. To find out whether your remote can operate the device without programming, turn on the device such as a VCR and press the corresponding mode button on the remote.
After that, press the **POWER** button. If the device is turned off then it responds properly and the remote need not to be programmed. If not, the remote should be programmed to operate the device. The programming procedures are explained below.
2. Press the **MENU** and **MUTE** button continuously at the same time for 2 seconds, the current selected device button will be illuminated.
If you don't press any button for 20 seconds, the light on the mode button will be turned off. In that case, you have to repeat from step 2.
3. Enter code numbers using the number button on the remote by referring the code table on the following pages. When pressing the button, the light blinks at a time. If the device turned off, the programming is successful.
4. Press the **MENU** button to store the code. After blinking twice, this code is stored.
5. Test the remote functions to see if the device responds properly. If not, repeat from step 2.

Programming Codes (option)

VCRs

| Brand | Codes | Brand | Codes | Brand | Codes | Brand | Codes |
|----------------|-----------------|---------------|-----------------|------------|-----------------|-----------------|-----------------|
| AIWA | 034 | KENWOOD | 014 034 039 043 | PORTLAND | 108 | TATUNG | 039 043 |
| AKAI | 016 043 046 124 | | 047 048 | PULSAR | 072 | TEAC | 034 039 043 |
| | 125 146 | LG (GOLDSTAR) | 001 012 013 020 | QUARTZ | 011 014 | TECHNICS | 031 033 070 |
| AMPRO | 072 | | 101 106 114 123 | QUASAR | 033 066 075 145 | TEKNIKA | 019 031 033 034 |
| ANAM | 031 033 103 | LLOYD | 034 | RCA | 013 020 033 034 | | 101 |
| AUDIO DYNAMICS | 012 023 039 043 | LXI | 003 009 013 014 | | 040 041 062 063 | THOMAS | 034 |
| BROKSONIC | 035 037 129 | | 017 034 101 106 | | 107 109 140 144 | TMK | 006 |
| CANON | 028 031 033 | MAGIN | 040 | | 145 147 | TOSHIBA | 008 013 042 047 |
| CAPEHART | 108 | MAGNAVOX | 031 033 034 041 | REALISTIC | 003 008 010 014 | | 059 082 112 131 |
| CRAIG | 003 040 135 | | 067 068 | | 031 033 034 040 | TOTEVISION | 040 101 |
| CURTIS MATHES | 031 033 041 | MARANTZ | 012 031 033 067 | | 053 054 101 | UNITECH | 040 |
| DAEWOO | 005 007 010 064 | | 069 | RICO | 058 | VECTOR RESEARCH | 012 |
| | 065 108 110 111 | MARTA | 101 | RUNCO | 148 | VICTOR | 048 |
| | 112 116 117 119 | MATSUI | 027 030 | SALORA | 014 | VIDEO CONCEPTS | 012 034 046 |
| DAYTRON | 108 | MEI | 031 033 | SAMSUNG | 032 040 102 104 | VIDEOSONIC | 040 |
| DBX | 012 023 039 043 | MEMOREX | 003 010 014 031 | | 105 107 109 112 | WARDS | 003 013 017 024 |
| DYNATECH | 034 053 | | 033 034 053 072 | | 113 115 120 122 | | 031 033 034 040 |
| ELECTROHOME | 059 | | 101 102 134 139 | | 125 | | 053 054 131 |
| EMERSON | 006 017 025 027 | MGA | 045 046 059 | SANSUI | 022 043 048 135 | YAMAHA | 012 034 039 043 |
| | 029 031 034 035 | MINOLTA | 013 020 | SANYO | 003 007 010 014 | ZENITH | 034 048 056 |
| | 036 037 046 101 | MITSUBISHI | 013 020 045 046 | | 102 134 | | 058 072 080 101 |
| | 129 131 138 153 | | 049 051 059 061 | SCOTT | 017 037 112 129 | | |
| FISHER | 003 008 009 010 | | 151 | | 131 | | |
| FUNAI | 034 | MTC | 034 040 | SEARS | 003 008 009 010 | | |
| GE | 031 033 063 072 | MULTITECH | 024 034 | | 013 014 017 020 | | |
| | 107 109 144 147 | NEC | 012 023 039 043 | | 031 042 073 081 | | |
| GO VIDEO | 132 136 | | 048 | | 101 | | |
| HARMAN KARDON | 012 045 | NORDMENDE | 043 | SHARP | 031 054 149 | | |
| HITACHI | 004 018 026 034 | OPTONICA | 053 054 | SHINTOM | 024 | | |
| | 043 063 137 150 | PANASONIC | 066 070 074 083 | SONY | 003 009 031 052 | | |
| INSTANTREPLAY | 031 033 | | 133 140 145 | | 056 057 058 076 | | |
| JCL | 031 033 | PENTAX | 013 020 031 033 | | 077 078 149 | | |
| JCPENNY | 012 013 015 033 | | 063 | SOUNDESIGN | 034 | | |
| | 040 066 101 | PHILCO | 031 034 067 | STS | 013 | | |
| JENSEN | 043 | PHILIPS | 031 033 034 054 | SYLVANIA | 031 033 034 059 | | |
| JVC | 012 031 033 043 | | 067 071 101 | | 067 | | |
| | 048 050 055 060 | PILOT | 101 | SYMPHONIC | 034 | | |
| | 130 150 152 | PIONEER | 013 021 048 | TANDY | 010 034 | | |

CATV

| Brand | Codes | Brand | Codes | Brand | Codes | Brand | Codes |
|--------------|-----------------|----------------|-----------------|--------------------|-----------------|--------------|-----------------|
| ABC | 003 004 039 042 | GOLDEN CHANNEL | 030 | | 065 085 090 | SPRUCER | 047 078 |
| | 046 052 053 | HAMLIN | 049 050 055 | PIONEER | 034 051 052 063 | STARCOM | 002 004 008 009 |
| AJIN | 112 | HITACHI | 052 055 | | 076 | STARGATE | 008 030 |
| ANTRONIK | 014 | HOSPITALITY | 070 077 | POST NEWS WEEK | 016 | TADIRAN | 030 |
| ARCHER | 005 007 014 024 | JERROLD | 002 003 004 008 | PRUCER | 059 | TAEKWANG | 110 |
| CABLE STAR | 026 | | 009 010 052 069 | PTS | 011 048 071 072 | TAIHAN | 105 |
| CENTURION | 092 | | 074 | | 073 074 | TANDY | 017 |
| CENTURY | 007 | LG (GOLDSTAR) | 001 106 101 005 | PULSAR | 100 | TEXSCAN | 029 |
| CITIZEN | 007 | M-NET | 037 | RCA | 047 | TOCOM | 039 040 056 |
| COLOUR VOICE | 065 090 | MACOM | 033 | REGAL | 049 050 | TOSHIBA | 100 |
| COMBANO | 080 081 | MAGNAVOX | 010 012 064 079 | REGENCY | 057 | UNIKA | 007 014 024 |
| COMTRONICS | 019 030 | MEMOREX | 100 | REMBRANT | 025 | UNITED CABLE | 004 053 |
| DIAMOND | 023 | MOVIE TIME | 028 032 | SAMSUNG | 102 107 030 068 | UNIVERSAL | 005 007 014 024 |
| EAGLE | 020 030 040 | NSC | 015 028 038 071 | SCIENTIFIC ATLANTA | 003 011 041 042 | | 026 027 032 035 |
| EASTERN | 057 062 066 | | 073 | | 043 045 046 | VIEWSTAR | 012 015 018 086 |
| ELECTRICORD | 032 | OAK | 016 031 037 053 | SHERITECH | 022 | | 087 088 089 |
| GE | 072 | PANASONIC | 044 047 | SIGNAL | 030 | ZENITH | 100 114 060 093 |
| GEMINI | 008 022 025 054 | PARAGON | 100 | SIGNATURE | 052 | | |
| GI | 052 074 | PHILIPS | 006 012 013 020 | SL MARX | 030 | | |

Programming Codes (option)

HDSTB

| Brand | Codes | Brand | Codes | Brand | Codes | Brand | Codes |
|----------------|-----------------|--------------------|-----------------|----------------------|-----------------|----------|-----------------|
| ALPHASTAR DSR | 123 | | 133 134 | PACE SKY SATELLITE | 143 | | 088 090 107 130 |
| AMPLICA | 050 | GENERAL INSTRUMENT | 003 004 016 029 | PANASONIC | 060 142 | | 137 |
| BIRDVIEW | 051 126 129 | | 031 059 101 | PANSAT | 121 | TOSHIBA | 002 127 |
| CHANNEL MASTER | 013 014 015 018 | HITACHI | 139 140 | PERSONAL CABLE | 117 | UNIDEN | 016 025 042 043 |
| | 036 055 | HOUSTON TRACKER | 033 037 039 051 | PHILIPS | 071 | | 044 045 048 049 |
| CHAPARRAL | 008 009 012 077 | | 057 104 | PICO | 105 | | 078 079 080 086 |
| CITOH | 054 | HUGHES | 068 | PRESIDENT | 019 102 | | 101 135 136 |
| CURTIS MATHES | 050 145 | JANIEL | 060 147 | PRIMESTAR | 030 110 111 | VIEWSTAR | 115 |
| DRAKE | 005 006 007 010 | JERROLD | 061 | PROSAT | 072 | WINEGARD | 128 146 |
| | 011 052 112 116 | KATHREIN | 108 | RCA | 066 106 | ZENITH | 081 082 083 084 |
| | 141 | LEGEND | 057 | REALISTIC | 043 074 | | 091 120 |
| DX ANTENNA | 024 046 056 076 | LG | 001 | SAMSUNG | 123 | | |
| ECHOSTAR | 038 040 057 058 | LUTRON | 132 | SATELLITE SERVICE CO | 028 035 047 057 | | |
| | 093 094 095 096 | LUXOR | 062 144 | | 085 | | |
| | 097 098 099 100 | MACOM | 010 059 063 064 | SCIENTIFIC ATLANTA | 032 138 | | |
| | 122 | | 065 | SONY | 103 | | |
| ELECTRO HOME | 089 | MEMOREX | 057 | STARCAST | 041 | | |
| EUROPLUS | 114 | NEXTWAVE | 028 124 125 | SUPER GUIDE | 020 124 125 | | |
| FUJITSU | 017 021 022 027 | NORSAT | 069 070 | TEECOM | 023 026 075 087 | | |

Audio

| Brand | Codes | Brand | Codes | Brand | Codes | Brand | Codes |
|---------------|-----------------|-----------|-----------------|-----------|-----------------|---------|-----------------|
| AIWA | 014 028 070 096 | JVC | 004 013 141 | PHILIPS | 026 112 143 | | 147 218 |
| | 125 129 139 229 | KEC | 185 186 187 | PIONEER | 039 042 043 063 | TOSHIBA | 137 |
| | 230 | KENWOOD | 038 050 067 089 | | 065 091 093 094 | THE | 061 |
| AKAI | 163 | | 170 171 197 206 | | 115 123 127 250 | VICTOR | 088 131 |
| ANAM | 003 014 017 023 | | 215 222 | QUASAR | 113 | WARDS | 089 |
| | 059 106 189 216 | KOHEL | 030 | RCA | 080 | YAMAHA | 054 055 066 092 |
| | 217 235 236 | NAD | 045 046 | RCX | 092 | | 199 |
| BURMECTER | 252 | LOTTE | 014 016 036 098 | REALISTIC | 103 106 | | |
| CARVER | 086 | | 100 172 173 174 | SAMSUNG | 124 145 146 182 | | |
| CLARION | 199 | | 175 176 177 178 | | 193 194 195 203 | | |
| DAEWOO | 027 053 060 084 | | 179 180 181 183 | | 204 244 245 246 | | |
| | 102 148 198 221 | | 201 202 208 213 | SANSUI | 011 135 138 144 | | |
| DENON | 015 075 130 143 | | 214 219 223 232 | SANYO | 019 083 234 | | |
| FANTASIA | 071 | | 238 240 | SCOTT | 106 186 | | |
| FINEARTS | 022 | LXI | 103 | SHARP | 031 032 051 052 | | |
| FISHER | 089 099 | MAGNAVOX | 111 | | 072 082 117 119 | | |
| LG(GOLDSTAR) | 001 021 024 029 | MARANTZ | 002 018 020 025 | | 156 184 199 200 | | |
| | 087 107 108 110 | | 034 041 081 090 | | 206 209 | | |
| | 190 191 192 210 | MCINTOSH | 049 | SHERWOOD | 005 006 158 | | |
| | 211 212 239 | MCS | 104 | SONY | 044 045 109 114 | | |
| HAITAI | 034 035 188 222 | MEMOREX | 107 | | 118 126 248 249 | | |
| HARMAN/KARDON | 068 | NAD | 046 | TAEKWANG | 012 020 073 074 | | |
| INKEL | 037 058 062 069 | ONKYO | 013 040 041 047 | | 076 077 105 161 | | |
| | 078 079 095 121 | | 048 056 057 132 | | 162 163 164 165 | | |
| | 122 149 150 151 | | 133 140 | | 166 167 168 169 | | |
| | 152 153 154 155 | OPTIMUS | 158 | | 205 231 233 242 | | |
| | 157 158 159 160 | PANASONIC | 007 033 064 113 | TEAC | 010 085 106 136 | | |
| | 189 207 222 224 | | 142 220 241 251 | | 185 187 237 | | |
| | 225 226 227 243 | PENNEY | 104 | TECHNICS | 101 113 128 134 | | |
| | 247 | | | | | | |

DVD

| Brand | Codes | Brand | Codes | Brand | Codes | Brand | Codes |
|---------------|-----------------|------------|---------|---------|---------|----------|-------------|
| APEX DIGITAL | 022 | MAGNAVOX | 013 | PHILIPS | 013 | SONY | 007 |
| DENON | 020 014 | MARANTZ | 024 | PIONEER | 004 026 | THOMPSON | 005 006 |
| GE | 005 006 | MITSUBISHI | 002 | PROCEED | 021 | TOSHIBA | 019 008 |
| HARMAN KARDON | 027 | NAD | 023 | PROSCAN | 005 006 | YAMAHA | 009 018 |
| JVC | 012 | ONKYO | 008 017 | RCA | 005 006 | ZENITH | 010 016 025 |
| LG | 001 010 016 025 | PANASONIC | 003 009 | SAMSUNG | 011 015 | | |

Troubleshooting Checklist

| | |
|--|--|
| No picture & No sound | <ul style="list-style-type: none">• Check whether the set is turned on.• Power cord inserted into wall outlet?• Plug another product's power cord into the wall outlet where the set's power cord was plugged in. |
| Picture OK & No sound | <ul style="list-style-type: none">• Press the VOLUME (▶) button.• Sound muted? Press MUTE button.• Check whether the TV speaker is "on" in the SOUND menu. |
| The remote control doesn't work | <ul style="list-style-type: none">• Check to see if there is any object between the set and the remote control causing obstruction.• Check to see if the batteries are installed with the correct polarities. (Refer to p.5~6)• Check if the remote control handset is set up to correct mode.• Install new batteries. (Refer to p.5~6) |
| Picture appears slowly, after switching on | <ul style="list-style-type: none">• This is normal as the image is muted during the startup process of the set. Please contact your service centre, if the picture has not appeared after five minutes. |
| No or Poor colour or Poor picture | <ul style="list-style-type: none">• Select Colour in the PICTURE menu and press the VOLUME (▶) button. (Refer to p.18)• Keep a certain distance between the set and the VCR.• Activate any function to restore the brightness of the picture. (If still picture is on the screen for more than 5 minutes, the screen gets dark.) |
| Horizontal/vertical bars or picture shaking | <ul style="list-style-type: none">• Check for local interference such as an electrical appliance or power tool. |
| No output from one of the speakers | <ul style="list-style-type: none">• Adjust Balance in the SOUND menu. (Refer to p.18) |
| Unusual sound from inside the set | <ul style="list-style-type: none">• A change in ambient humidity or temperature may result in an unusual noise at the time of switching off or on of the set and does not indicate a fault with the set. |

Product Specifications

| MODEL | 42PX3RVA 42PX3RVA-ZC | 42PX2RVA 42PX2RVA-ZC |
|-----------------------------|-------------------------|-------------------------|
| Width (inches / mm) | 47.64 / 1210 | 47.7 / 1210 |
| Height (inches / mm) | 27.60 / 701 | 27.4 / 696 |
| Depth (inches / mm) | 11.61 / 295 | 10.7 / 270 |
| Weight (pounds / kg) | 66.14 / 30 | 77.2 / 35 |
| Power requirement | AC100-240V, 50/60Hz | |
| Operating Temperature Range | 32 ~ 104°F (0 ~ 40°C) | |
| Operating Humidity Range | Less than 80% | |

- The specifications shown above may be changed without notice for quality improvement.

