



# *DVD Player*

## OWNER'S MANUAL

MODEL: DZ9511P / DZ9711P



Before connecting, operating or adjusting this product, please read this instruction booklet carefully and completely.

P/NO : 3834RD0045T

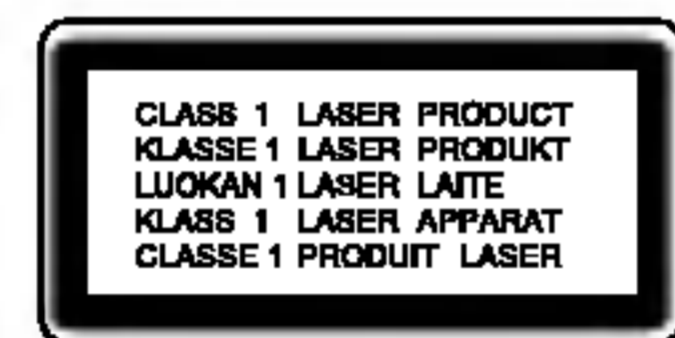
## Safety Precautions



CAUTION: THESE SERVICING INSTRUCTIONS ARE FOR USE BY QUALIFIED SERVICE PERSONNEL ONLY. TO REDUCE THE RISK OF ELECTRIC SHOCK DO NOT PERFORM ANY SERVICING OTHER THAN THAT CONTAINED IN THE OPERATING INSTRUCTIONS UNLESS YOU ARE QUALIFIED TO DO SO.



Caution: The apparatus should not be exposed to water (dripping or splashing) and no objects filled with liquids, such as vases, should be placed on the apparatus.



CAUTION: This product employs a Laser System. To ensure proper use of this product, please read this owner's manual carefully and retain for future reference. Should the unit require maintenance, contact an authorized service center. Use of controls, adjustments, or the performance of procedures other than those specified herein may result in hazardous radiation exposure. To prevent direct exposure to laser beam, do not try to open the enclosure. Visible laser radiation when open. **DO NOT STARE INTO BEAM.**



WARNING: Do not install this equipment in a confined space such as a bookcase or similar unit.

### CAUTION concerning the Power Cord

**Most appliances recommend they be placed upon a dedicated circuit;** That is, a single outlet circuit which powers only that appliance and has no additional outlets or branch circuits. Check the specification page of this owner's manual to be certain.

Do not overload wall outlets. Overloaded wall outlets, loose or damaged wall outlets, extension cords, frayed power cords, or damaged or cracked wire insulation are dangerous. Any of these conditions could result in electric shock or fire. Periodically examine the cord of your appliance, and if its appearance indicates damage or deterioration, unplug it, discontinue use of the appliance, and have the cord replaced with an exact replacement part by an authorized servicer.

Protect the power cord from physical or mechanical abuse, such as being twisted, kinked, pinched, closed in a door, or walked upon. Pay particular attention to plugs, wall outlets, and the point where the cord exits the appliance.


**SERIAL NUMBER:** The serial number is found on the bottom of this unit. This number is unique to this unit and not available to others. You should record requested information here and retain this guide as a permanent record of your purchase.

Model No. \_\_\_\_\_

Serial No. \_\_\_\_\_

## Table of Contents

### Introduction

Safety Precautions	2
Table of Contents	3
Before Use	4-5
Symbol used in this Manual	4
About the  Symbol Display	4
Notes on Discs	4
Remote Control Battery Installation	4
Maintenance and Service	5
Types of Playable Discs	5
Front Panel	6
Remote Control	7
Setting up the Player	8-9
DVD Player Connections	8
Audio Connection to Optional Equipment	9

### Advanced Operations

General Features	10-16
On-Screen Display	10
Moving to another CHAPTER/TRACK	10
Slow Motion	10
Title Menu	10
Disc Menu	10
Changing the Audio Language	10
Search	10
Still Picture and Frame-by-Frame Playback	10
Marker Search	11
Repeat A-B	11
Repeat	11
Random	11
Zoom	12
Camera Angle	12
Subtitles	12
Changing the Audio Channel	12
Last Scene Memory	12
Screen Saver	12
System Select	12

Playing an Audio CD and MP3/WMA Disc	13
MP3 / WMA disc compatibility with this player is limited as follows	13
Audio CD and MP3/WMA Disc Features	14
• Pause	14
• Moving to another Track	14
• Random	14
• Repeat Track/ All/ Normal	14
• Repeat A-B	14
• Search	14
Viewing a JPEG disc	15
• Moving to another File	15
• To rotate picture	15
• Still Picture	15
• Zoom	15
• JPEG disc compatibility with this player is limited as follows	15
Programmed Playback	16
• Erasing a Track from program list	16

### Initial Settings

Initial Settings	17-22
General Operation	17
LANGUAGE	17
DISPLAY	18
AUDIO	19
LOCK (Parental Control)	20-21
OTHERS	22

### Reference

Additional Information	23
Controlling other TVs with the remote control	23
Troubleshooting	24
Language Codes	25
Area Codes	26
Specifications	27

## Before Use

To ensure proper use of this product, please read this owner's manual carefully and retain for future reference.

This manual provides information on the operation and maintenance of your DVD player. Should the unit require service, contact an authorized service location.

### Symbol Used in this Manual



The lightning flash symbol alerts you to the presence of dangerous voltage within the product enclosure that may constitute a risk of electric shock.



The exclamation point alerts you to the presence of important operating and maintenance / servicing instructions.



Indicates hazards likely to cause harm to the unit itself or other material damage.

**DVD** DVD and finalized DVD±R/RW

**VCD** Video CDs.

**CD** Audio CDs.

**MP3** MP3 discs.

**WMA** WMA discs.

**JPEG** JPEG discs.

### **NOTE**


Indicates special notes and operating features.

### **TIP**

Indicates tips and hints for making the task easier.

A section whose title has one of the following symbols is applicable only to the disc represented by the symbol.

### About the Symbol Display

“  ” may appear on your LCD display during operation and indicates that the function explained in this owner's manual is not available on that specific DVD video disc.

### Notes on Discs

#### Handling Discs

Do not touch the playback side of the disc. Hold the disc by the edges so that fingerprints do not get on the surface. Never stick paper or tape on the disc.

#### Storing Discs



After playing, store the disc in its case. Do not expose the disc to direct sunlight or sources of heat and never leave it in a parked car exposed to direct sunlight.

#### Cleaning Discs

Fingerprints and dust on the disc can cause poor picture quality and sound distortion. Before playing, clean the disc with a clean cloth. Wipe the disc from the center out.

Do not use strong solvents such as alcohol, benzine, thinner, commercially available cleaners, or anti-static spray intended for older vinyl records.

### Remote Control Battery Installation

Detach the battery cover on the rear of the remote control, and insert two batteries (size AAA) with  and  aligned correctly.

## Before Use (Continued)

### Maintenance and Service

Refer to the information in this chapter before contacting a service technician.

### Handling the Unit

#### When shipping the unit

Please save the original shipping carton and packing materials. If you need to ship the unit, for maximum protection, re-pack the unit as it was originally packed at the factory.

#### Keeping the exterior surfaces clean

- Do not use volatile liquids such as insecticide spray near the unit.
- Do not leave rubber or plastic products in contact with the unit for a long period of time, since they leave marks on the surface.

#### Cleaning the unit

To clean the player, use a soft, dry cloth. If the surfaces are extremely dirty, use a soft cloth lightly moistened with a mild detergent solution.

Do not use strong solvents such as alcohol, benzine, or thinner, as these might damage the surface of the unit.

#### Maintaining the Unit

The DVD player is a high-tech, precision device. If the optical pick-up lens and disc drive parts are dirty or worn, the picture quality could be diminished.

Depending on the operating environment, regular inspection and maintenance are recommended after every 1,000 hours of use.

For details, please contact your nearest authorized service center.

### Types of Playable Discs

This unit plays DVD, Video CD, Audio CD, DVD±R, DVD±RW, SVCD, and CD-R or CD-RW that contains audio titles, MP3, WMA or JPEG files.

**Manufactured under license from Dolby Laboratories. “Dolby”, “Pro Logic”, and the double-D symbol are trademarks of Dolby Laboratories.**

**DTS and DTS Digital Out are trademarks of Digital Theater Systems, Inc.**

#### NOTES

- Depending on the conditions of the recording equipment or the CD-R/RW (or DVD±R/±RW) disc itself, some CD-R/RW (or DVD±R/±RW) discs cannot be played on the unit.
- Do not attach any seal or label to either side (the labeled side or the recorded side) of a disc.
- Do not use irregularly shaped CDs (e.g., heart-shaped or octagonal) since they may result in malfunctions.

#### Notes on DVDs and Video CDs

Some playback operations of DVDs and Video CDs may be intentionally programmed by software manufacturers. This unit plays DVDs and Video CDs according to disc content designed by the software manufacturer, therefore some playback features may not be available or other functions may be added.

#### Regional code

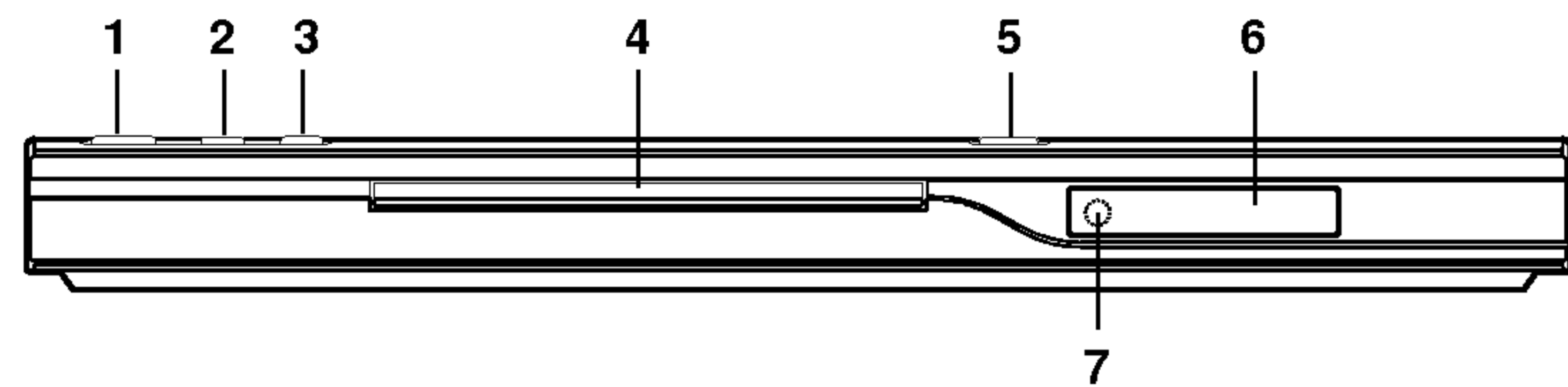
This DVD player is designed and manufactured for playback of region “2” encoded DVD software. This unit can play only DVD discs labeled “2” or “ALL”.

If you try to play a DVD with a different region code from your player, the message “Check Regional Code” appears on the TV screen.

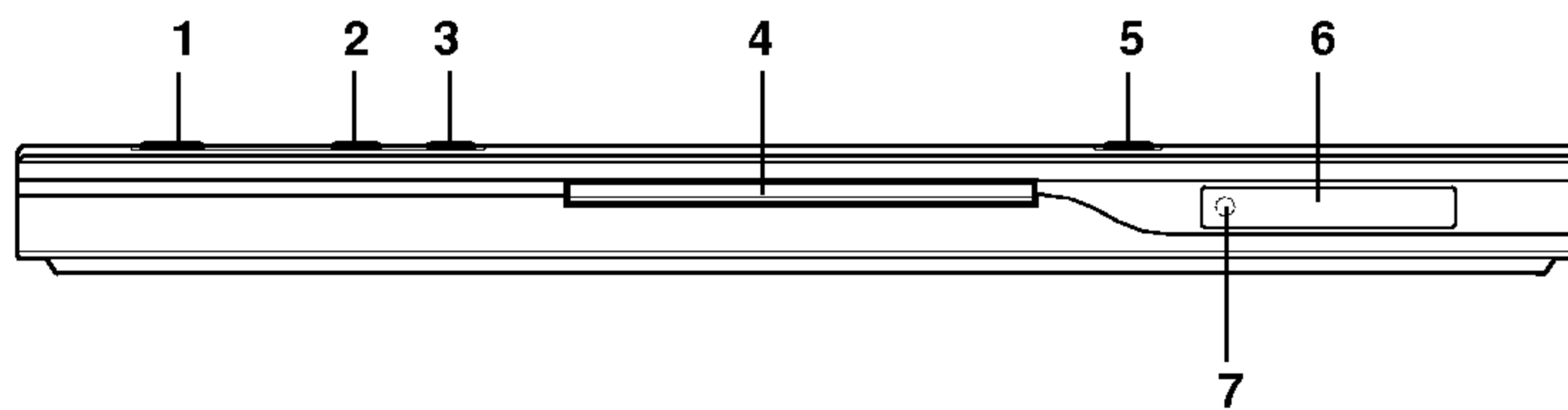


## Front Panel

### DZ9511P

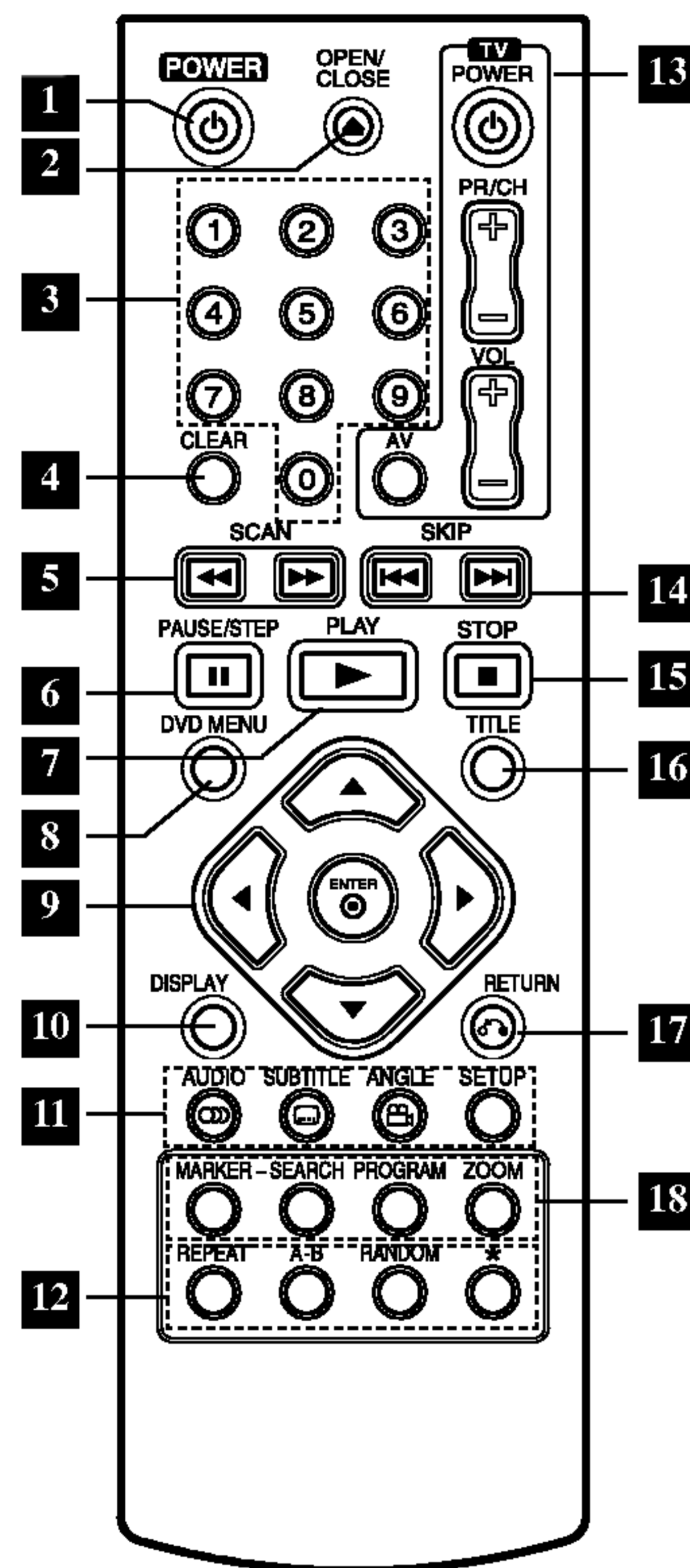


### DZ9711P



- 1. POWER**  
Switches the player ON and OFF.
- 2. PLAY (▶)**  
Starts playback.
- 3. STOP (■)**  
Stops playback.
- 4. Disc Tray**  
Insert a disc here.
- 5. OPEN / CLOSE (▲)**  
Opens or closes the disc tray.
- 6. Display window**  
Shows the current status of the player.
- 7. Remote Sensor**  
Point the DVD Player remote control here.

## Remote Control



- 1 POWER**  
Switches DVD Player ON and OFF.
- 2 OPEN / CLOSE**  
Opens and closes the disc tray.
- 3 0-9 number buttons**  
Selects numbered items in a menu.
- 4 CLEAR**  
Removes a track number on the Playlist or a mark on the MARKER SEARCH menu.
- 5 SCAN ( ◀▶ / ▶▶ )**  
Search backward or forward.
- 6 PAUSE / STEP ( II )**  
Pauses playback temporarily/ press repeatedly for frame-by-frame playback.
- 7 PLAY ( ▶ )**  
Starts playback.
- 8 DVD MENU**  
Accesses menu on a DVD disc.
- 9 • ◀▶▲▼ (left/right/up/down)**  
Selects an item in the menu.
- ENTER**  
Confirms menu selection.

- 10 DISPLAY**  
Accesses On-Screen display.
- 11 • AUDIO**  
Selects an audio language (DVD).
- SUBTITLE**  
Selects a subtitle language.
- ANGLE**  
Selects a DVD camera angle if available
- SETUP**  
Accesses or removes setup menu.
- 12 • REPEAT**  
Repeat chapter, track, title all.
- A-B**  
Repeat sequence.
- RANDOM**  
Plays tracks in random order.
- \***  
This button is not available.
- 13 TV Control Buttons**
- TV POWER:**  
Turns the TV on or off.
- TV PR/CH +/-:**  
Selects TV's channel.

- TV VOL +/-:**  
Adjusts TV's volume.
- AV:**  
Selects the TV's source.
- 14 SKIP ( ◀◀ / ▶▶ )**  
Go to next chapter or track.  
Returns to beginning of current chapter or track or go to previous chapter or track.
- 15 STOP ( ■ )**  
Stops playback.
- 16 TITLE**  
Displays title menu, if available.
- 17 RETURN**  
Removes the setup menu, displays the video CD with PBC.
- 18 • MARKER**  
Marks any point during playback.
- SEARCH**  
Displays MARKER SEARCH menu.
- PROGRAM**  
Places a track on the program list.
- ZOOM**  
Enlarges video image.

## Setting up the Player

### DVD Player Connections

Depending on your TV and other equipment there are various ways you can connect the player. Please refer to the manuals of your TV, stereo system or other devices as necessary for additional connection information.

#### Video and Audio Connections to Your TV

Make sure the DVD player is connected directly to the TV and not to a VCR, otherwise the DVD image could be distorted by the copy protection system.

**Video:** Connect the VIDEO OUT jack on the DVD player to the video in jack on the TV using the video cable (V).

**Component Video (Color Stream®):** Connect the COMPONENT VIDEO OUT/PROGRESSIVE SCAN jacks on the DVD Player to the corresponding in jacks on the TV using an Y Pb Pr cable (C).

#### Audio Connection to Your TV:

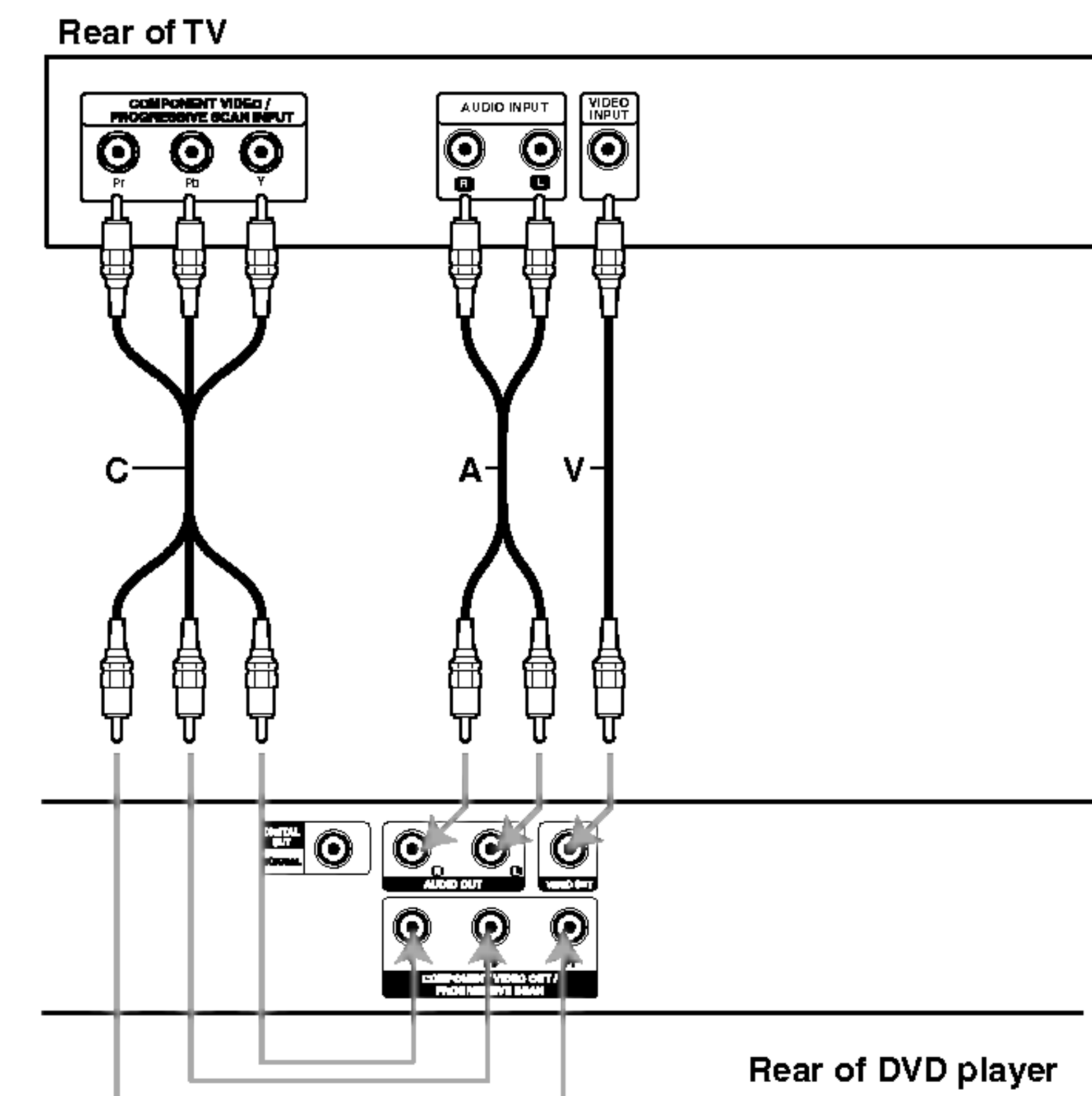
Connect the left and right AUDIO OUT jacks of the DVD Player to the audio left and right IN jacks on the TV (A) using the audio cables. Do not connect the DVD Player's AUDIO OUT jack to the phone in jack (record deck) of your audio system.

#### Progressive Scan (ColorStream® pro):

- If your television is a high-definition or “digital ready” television, you may take advantage of the DVD Player’s progressive scan output for the highest video resolution possible.
- If your TV does not accept the Progressive Scan format, the picture will appear scrambled if you try Progressive Scan on the DVD Player.

#### NOTES

- Set the Progressive to “On” on the setup menu for progressive signal, see page 18.
- Set the progressive to “Off” by removing any disc from the unit and close the disc tray. see that “no disc” is displayed on the display window. Then press STOP and hold it for five seconds before releasing it.
- Progressive scan does not work with the analog video connections (yellow VIDEO OUT jack).

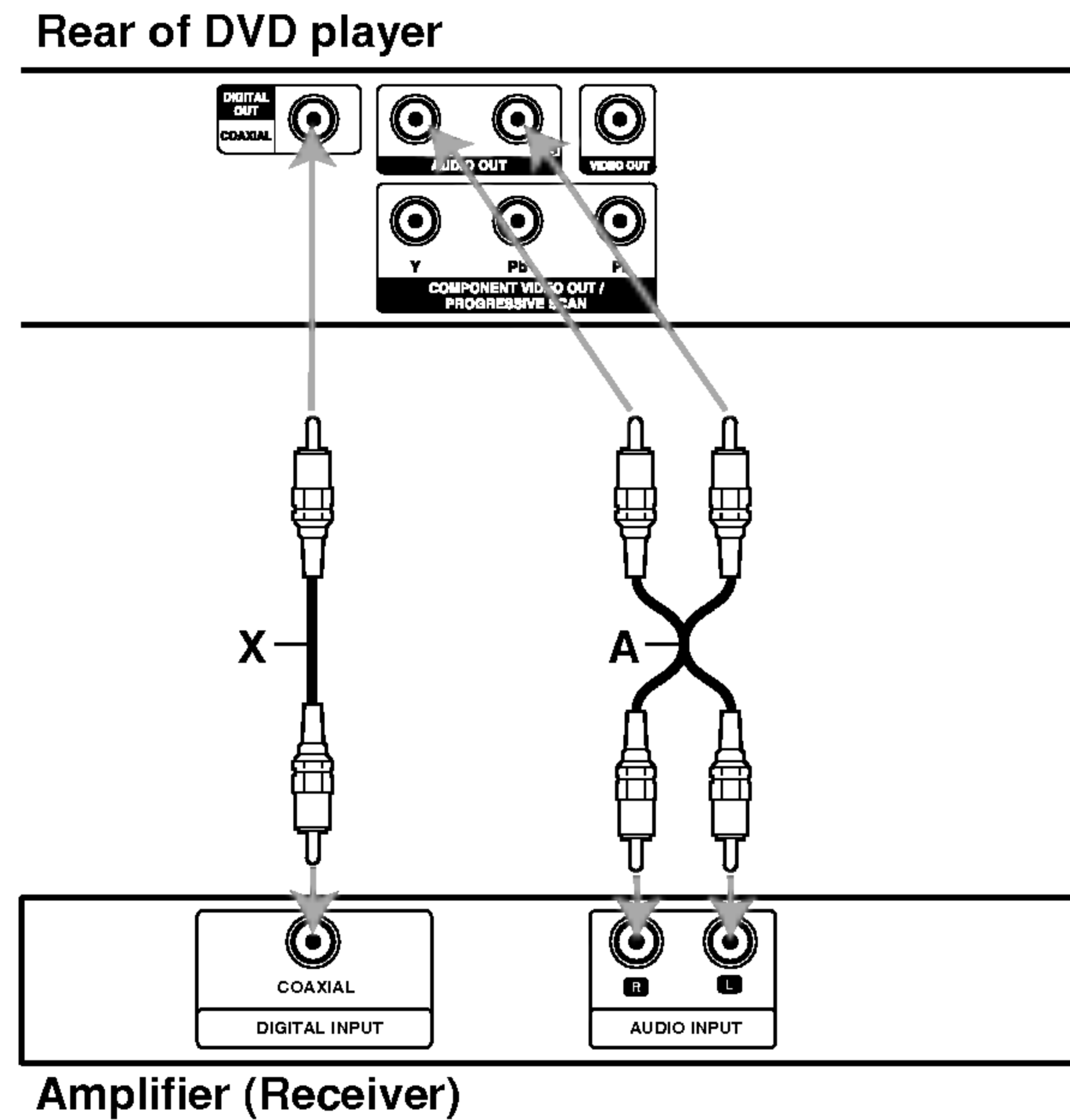




## Setting up the Player (continued)

### Audio Connection to Optional Equipment

Connect the DVD player to your optional equipment for audio output.



**Amplifier equipped with 2-channel analog stereo or Dolby Pro Logic II / Pro Logic:** Connect the left and right AUDIO OUT jacks on the DVD player to the audio left and right IN jacks on your amplifier, receiver, or stereo system, using the audio cables (A).

**Amplifier equipped with 2-channel digital stereo (PCM) or audio / video receiver equipped with a multi-channel decoder (Dolby Digital™, MPEG 2, or DTS):** Connect one of the DVD Player's DIGITAL AUDIO OUT jacks (COAXIAL X) to the corresponding in jack on your amplifier. Use an optional digital (coaxial X) audio cable.

#### Digital Multi-channel sound

A digital multi-channel connection provides the best sound quality. For this you need a multi-channel audio / video receiver that supports one or more of the audio formats supported by your DVD player such as MPEG 2, Dolby Digital and DTS. Check the receiver manual and the logos on the front of the receiver.

#### NOTES

- If the audio format of the digital output does not match the capabilities of your receiver, the receiver produces a strong, distorted sound or no sound at all.
- Six Channel Digital Surround Sound via a digital connection can only be obtained if your receiver is equipped with a Digital Multi-channel decoder.
- To see the audio format of the current DVD in the on-screen display, press AUDIO.

## General Features

### On-Screen Display **DVD** **VCD**

Some items can be changed using the menu.

1. Press DISPLAY during playback.
2. Press ◀ / ▶ to select an item.  
The selected item is highlighted.
3. Press ▲ / ▼ to change the setting.  
Press ENTER.  
You can also use the number buttons if appropriate  
(e.g. inputting the title number).

**T** 02:04 : Title(Track) Number, **C** 0:09:28 : Time search

**ⓐ** 02:04 : Chapter Number (DVD disc only)

### Moving to another CHAPTER/TRACK **DVD** **VCD**

When a title on a disc has more than one chapter or a disc has more than one track, you can move to another chapter/track as follows:

Press SKIP **⏪** or **⏩** briefly during playback to select the next chapter/track or to return to the beginning of the current chapter/track.  
Press SKIP **⏪** twice briefly to step back to the previous chapter/track.

### Slow Motion **DVD** **VCD**

1. Press PAUSE/STEP (**⏸**) during playback.  
The player will now go into PAUSE mode.
2. Use the SCAN **⏮** to select the required speed:  
**⏮** 1/16, **⏮** 1/8, **⏮** 1/4, or **⏮** 1/2 (forward).
3. To exit slow motion mode, press PLAY.

### Title Menu **DVD**

#### Checking the contents of DVD discs: Menus

DVDs may offer menus that allow you to access special features. To use the disc menu, press TITLE.

Input the corresponding number or use the ◀ ▶ ▲ ▼ buttons to highlight your selection. Then press ENTER.

### Disc Menu **DVD**

Press DVD MENU and the disc menu is displayed.

Press DVD MENU again to exit.

### Changing the Audio Language **DVD**

Press AUDIO repeatedly during playback to hear a different audio language or audio track.

### Search **DVD** **VCD**

1. Press SCAN (**⏮** or **⏭**) during playback.
2. Press SCAN (**⏮** or **⏭**) repeatedly to select the required speed.  
DVD; X2, X4, X16 or X32  
Video CD; X2, X4 or X8
3. To exit Search mode, press PLAY.

### Still Picture and Frame-by-Frame Playback

#### **DVD** **VCD**

Press PAUSE/STEP on the remote control during playback. Advance the picture frame-by-frame by pressing PAUSE/STEP repeatedly.  
Press PLAY to exit still motion mode.

## General Features (continued)

### Marker Search **DVD** **VCD**

#### To enter a Marker

You can start playback from up to nine memorized points. To enter a marker, press MARKER at the desired point on the disc. The Marker icon appears on the TV screen briefly. Repeat to enter up to nine markers.

#### To Recall or Clear a Marked Scene

1. During disc playback, press SEARCH. The marker search menu appears on the screen.
2. Within 10 seconds, press ◀/▶ to select a marker number that you want to recall or clear.
3. Press ENTER and playback starts from the marked scene.  
Or, Press CLEAR and the marker number is erased from the list.
4. You can play any marker by inputting its number on the marker search menu.

### Repeat A-B **DVD** **VCD**

To repeat a sequence.

1. Press A-B at your chosen starting point. "A" appears briefly on the TV screen.
2. Press A-B again at your chosen end point.  
"A B" appears briefly on the TV screen and the repeat sequence begins.
3. Press A-B again to cancel.

### Repeat **DVD** **VCD1.1**

Press REPEAT during playback to select a desired repeat mode.

#### DVD Video Discs

- Chapter: repeats the current chapter.
- Title: repeats the current title.
- Off: does not play repeatedly.

#### Video CDs

- Track: repeats the current track
- All: repeats all the tracks on a disc.
- Off: does not play repeatedly.

#### NOTES

- On a Video CD with PBC, you must set PBC to Off on the setup menu to use the repeat function (See "PBC" on page 22).
- If you press SKIP (▶▶) once during Repeat Chapter (Track) playback, the repeat playback cancels.

### Random **VCD**

1. Press RANDOM during playback. The unit automatically begins random playback and **Random** appears on the TV screen.
2. To return to normal playback, press RANDOM repeatedly until **Normal** appears on the menu screen.

#### TIP

- By pressing SKIP (▶▶) during random playback, the unit selects another track and resumes random playback.
- On a Video CD with PBC, You must set PBC to Off on the setup menu to use the random function  
(See "PBC" on page 22).

## General Features (continued)

### Zoom **DVD** **VCD**

Use zoom to enlarge the video image.

1. Press ZOOM during playback to activate the Zoom function.
2. Each press of the ZOOM button changes the screen in the sequence: 200% → 300% → 400% → Normal (4 steps).
3. Use the ◀ ▶ ▲ ▼ buttons to move through the zoomed picture.
4. To resume normal playback, press CLEAR.

#### **NOTE**

Zoom may not work on some DVDs.

### Camera Angle **DVD**

If the disc contains scenes recorded at different camera angles, you can change to a different camera angle during playback.

Press ANGLE repeatedly during playback to select a desired angle.

Note that the number of the current angle appears on the display.

### Subtitles **DVD**

Press SUBTITLE repeatedly during playback to display the different subtitle languages.

### Changing the Audio Channel **VCD**

Press AUDIO repeatedly during playback to hear a different audio channel (Stereo, LEFT or RIGHT).

### Last Scene Memory **DVD** **CD** **VCD**

This player memorizes last scene from the last disc that is viewed. The last scene remains in memory even if you remove the disc from the player or switch off the player. If you load a disc that has the scene memorized, the scene is automatically recalled.

#### **NOTE**

This player does not memorize the scene of a disc if you switch off the player before commencing to play the disc.

### Screen Saver

The screen saver appears when you leave the DVD player in Stop mode for about five minutes. If the Screen Saver is displayed for five minutes, the DVD Player automatically turns itself off.

### System Select

You must select the appropriate system mode for your TV system.

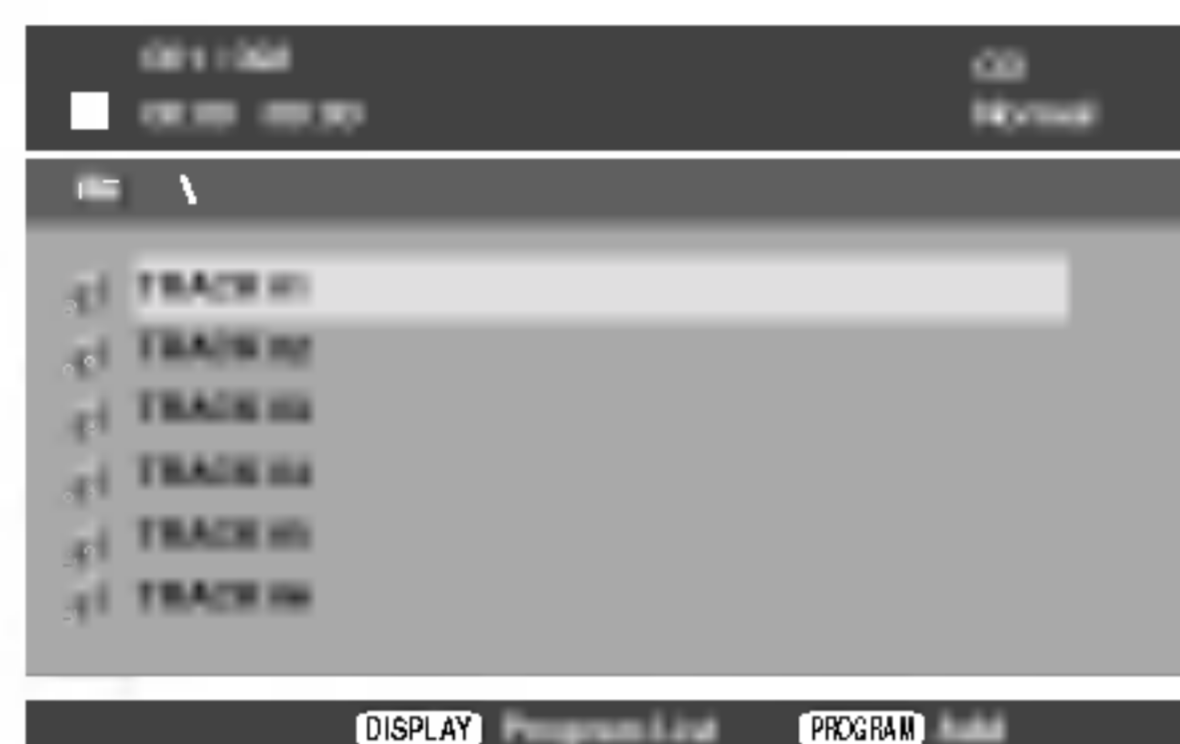
If no disc appears in the display window, press and hold PAUSE/STEP for more than 5 seconds to be able to select a system (PAL, NTSC, or Auto).

## Playing an Audio CD or MP3/WMA Disc

### Audio CD

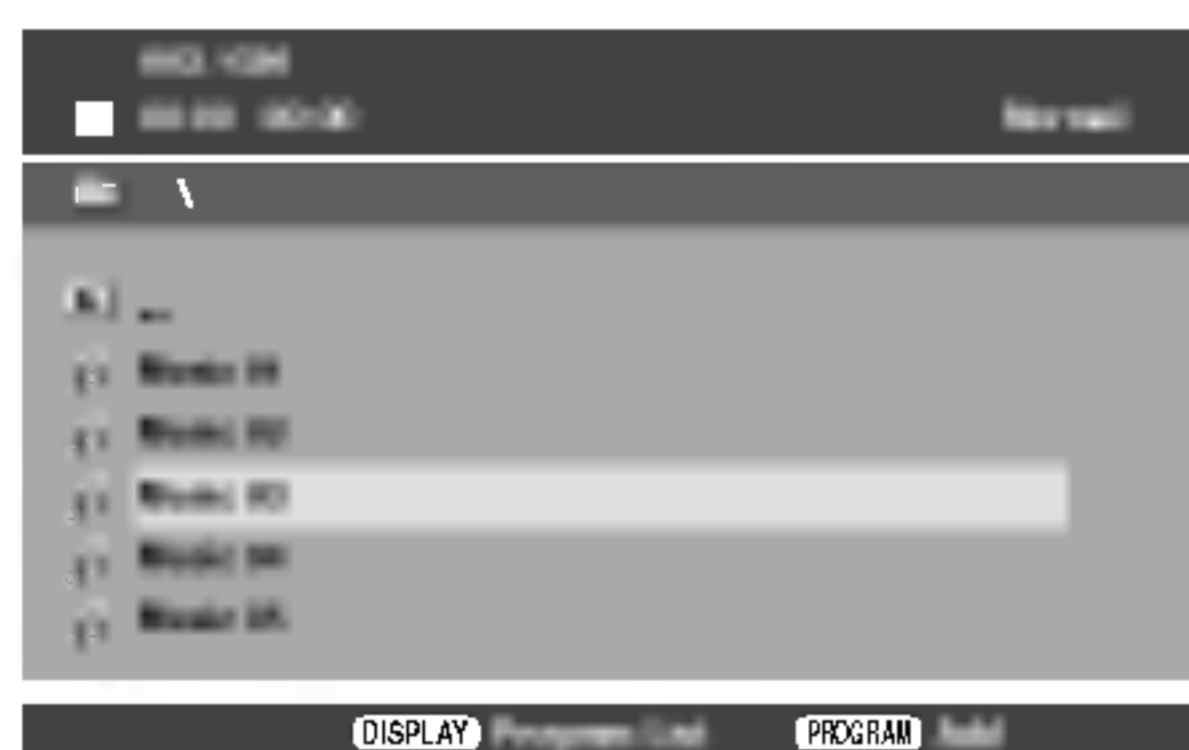
Once you insert an audio CD a menu appears on the TV screen.

Press ▲ / ▼ to select a track then press PLAY or ENTER to playback starts.




### MP3 / WMA

1. Press ▲ / ▼ to select a folder, and press PLAY or ENTER to see the folder contents.
2. Press ▲ / ▼ to select a track then press PLAY or ENTER. Playback starts.



### TIPS

- If you are in a file list on the MUSIC menu and want to return to the Folder list, use the ▲ / ▼ to highlight  and press PLAY or ENTER.
- Press DVD MENU to move to the next page.  
Press TITLE to move to the previous page.
- On a CD with MP3/WMA and JPEG you can switch MP3/WMA and JPEG.  
Press ▲ / ▼ to select a folder, and press ENTER to see the folder contents.

**MP3 / WMA disc compatibility with this player is limited as follows:**

- Sampling frequency: within 8 - 48 kHz (MP3),  
within 32 - 48kHz (WMA)
- Bit rate: within 8 - 320kbps (MP3),  
32 - 192kbps (WMA)
- The player cannot read an MP3/WMA file that has a file extension other than “.mp3” / “.wma”.
- CD-R physical format should be ISO 9660
- If you record MP3 / WMA files using software that cannot create a file system (eg. Direct-CD) it is impossible to playback MP3 / WMA files.  
We recommend that you use Easy-CD Creator, which creates an ISO 9660 file system.
- File names should have a maximum of 8 letters and must incorporate an .mp3 or .wma extension.
- They should not contain special letters such as / ? \* : “ < > | etc.
- The total number of files on the disc should be less than 648.

This DVD player requires discs and recordings to meet certain technical standards in order to achieve optimal playback quality. Pre-recorded DVDs are automatically set to these standards. There are many different types of recordable disc formats (including CD-R containing MP3 or WMA files) and these require certain pre-existing conditions (see above) to ensure compatible playback.

**Customers should note that permission is required in order to download MP3 / WMA files and music from the Internet. Our company has no right to grant such permission. Permission should always be sought from the copyright owner.**

## Playing an Audio CD or MP3/WMA Disc (continued)

### Audio CD and MP3 / WMA Disc Features

#### Pause **CD** **MP3** **WMA**

1. Press PAUSE/STEP during playback.
2. To return to playback, press PLAY, ENTER or press PAUSE/STEP again.

#### Moving to another Track **CD** **MP3** **WMA**

1. Press SKIP (◀◀ or ▶▶) briefly during playback to go to the next track or to return to the beginning of the current track.
2. Press SKIP ◀◀ twice briefly to go back to the previous track.
3. You can play any track by inputting its number.

#### Random **CD** **MP3** **WMA**

1. Press RANDOM during playback. Random Playback begins immediately and RANDOM appears on the menu screen.
2. To return to normal playback, press RANDOM repeatedly until Normal appears on the menu screen.

#### TIP

By pressing SKIP ▶▶ during random playback, the unit selects another track and resumes random playback.

#### Repeat Track/All/Normal **CD** **MP3** **WMA**

You can play a track/all on a disc.

1. Press REPEAT when playing a disc. The repeat icon appears.
2. Press REPEAT to select a desired repeat mode.
  - Track: repeats the current track
  - All: repeats all the tracks on a disc.
  - Normal: does not play repeatedly.

#### NOTE

If you press SKIP (▶▶) once during Repeat Track playback, the repeat playback cancels.

#### Repeat A-B **CD** **MP3** **WMA**

1. To repeat a sequence during disc playback press A-B at your chosen starting point. The Repeat icon and “A” appear on the menu screen.
2. Press A-B again at your chosen end point. The Repeat icon and “A B” appear on the menu screen, and the sequence begins to play repeatedly.
3. To exit the sequence and return to normal play, press A-B again.

#### Search **CD** **MP3** **WMA**


1. Press SCAN (◀◀ or ▶▶) during playback.
2. Press SCAN (◀◀ or ▶▶) repeatedly to select the required speed. 2X, 4X or 8X
3. To exit Search mode, press PLAY.

## Viewing a JPEG Disc

Using this DVD Player you can view discs with JPEG files.

1. Insert a disc and close the tray.  
The PHOTO menu appears on the TV screen.



2. Press ▲ / ▼ to select a folder, and press ENTER or PLAY.  
A list of files in the folder appears. If you are in a file list and want to return to the previous Folder list, use the ▲ / ▼ buttons on the remote to highlight  and press ENTER or PLAY.
3. If you want to view a particular file, press ▲ / ▼ to highlight a file and press ENTER or PLAY. Viewing the file proceeding starts.  
While viewing a picture, you can press STOP to move to the previous menu (PHOTO menu).

### TIPS

- Press DVD MENU to move to the next page.  
Press TITLE to move to the previous page.
- On a CD with MP3/WMA and JPEG you can switch MP3/WMA and JPEG.  
Press ▲ / ▼ to select a folder, and press ENTER to see the folder contents.

### Moving to another File **JPEG**

Press SKIP (◀◀ or ▶▶) once while viewing a picture to advance to the next or previous file.

### To rotate picture

Press ◀ / ▶ during showing a picture to rotate the picture clockwise or counter clockwise.

### Still Picture **JPEG**

1. Press PAUSE/STEP during slide show.  
The player will now go into PAUSE mode.
2. To return to the slide show, press PLAY, ENTER or press PAUSE/STEP again.

### Zoom **JPEG**

Use zoom to enlarge the video image.

1. Press ZOOM during playback to activate the Zoom function.
2. Each press of the ZOOM button changes the screen in the sequence: 100% → 150% → 200% → 100%
3. Use the ◀ ▶ ▲ ▼ buttons to move through the zoomed picture.
4. To resume normal playback, press CLEAR or press ZOOM repeatedly to select the 100%.

### JPEG disc compatibility with this player is limited as follows:

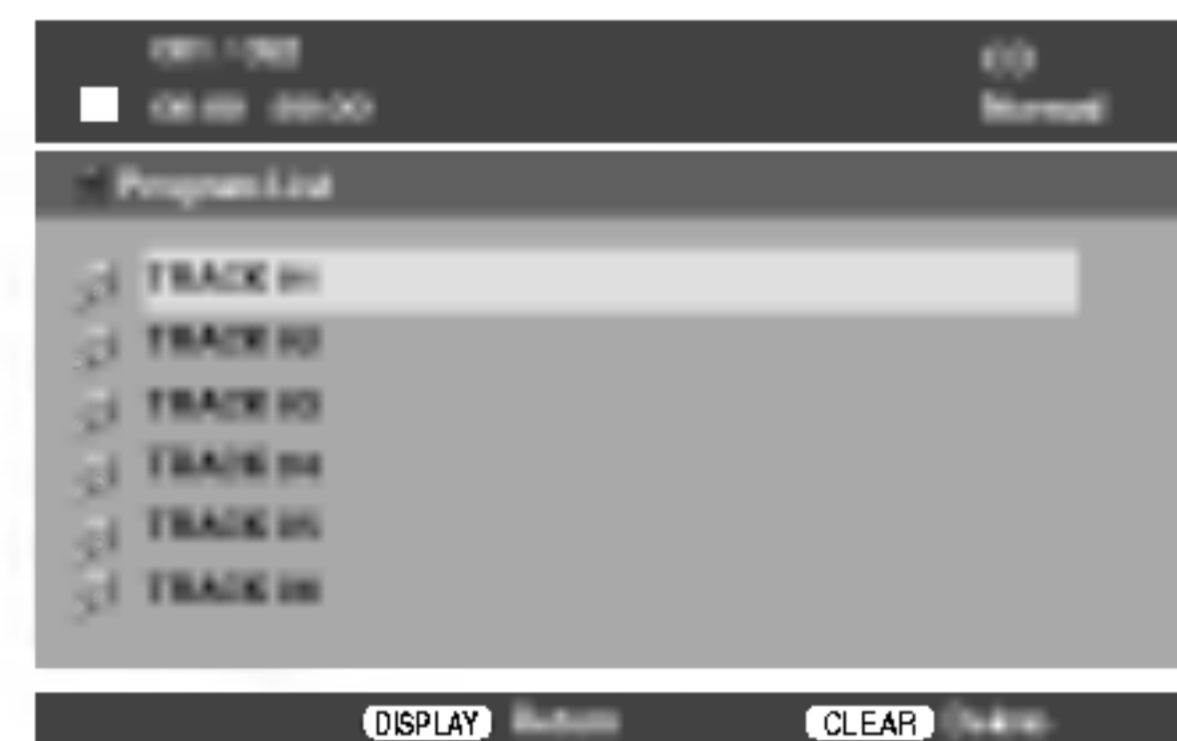
- Depending upon the size and number of JPEG files, it could take a long time for the DVD player to read the disc's contents. If you don't see an on-screen display after several minutes, some of the files may be too large — reduce the resolution of the JPEG files to less than 2M pixels as 2760 x 2048 pixels and burn another disc.
- The total number of files and folders on the disc should be less than 648.
- Ensure that all the selected files have the “.jpg” extensions when copying into the CD layout.
- If the files have “.jpe” or “.jpeg” extensions, please rename them as “.jpg” file.
- File names without “.jpg” extension will not be able to be read by this DVD player. Even though the files are shown as JPEG image files in Windows Explorer.

## Programmed Playback **CD** **MP3** **WMA**

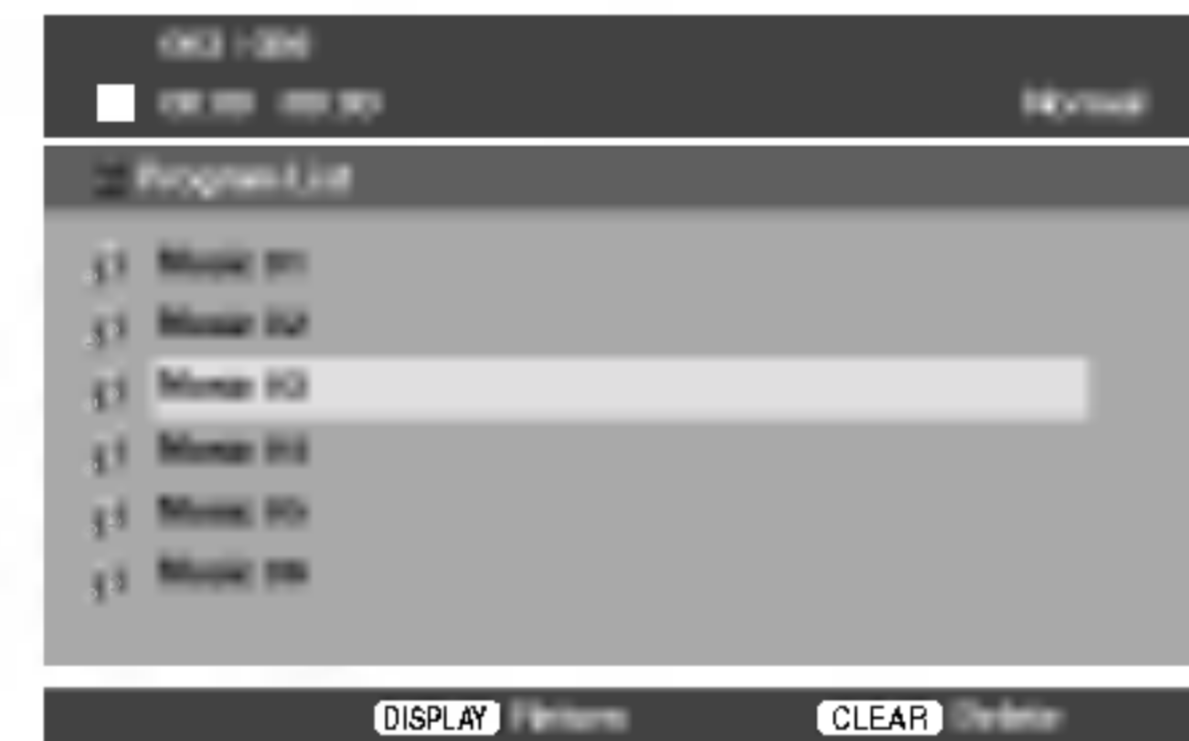
The program function enables you to store your favorite tracks from any disc in the player memory.

A program can contain 30 tracks (Audio CD, MP3/WMA).

1. Insert a disc. (Audio CD, MP3 or WMA.)
2. Press ▲ / ▼ to select the desired file.
3. Press PROGRAM during playback or in the stop mode.  
Repeat press PROGRAM to place additional tracks on the program list.
4. Press DISPLAY. Program List menu appear.  
Press ▲ / ▼ to select the track you want to start playing.  
Press DVD MENU to move to the next page.  
Press TITLE to move to the previous page.



Audio CD Menu



MP3/WMA Menu

5. Press PLAY or ENTER to start.
6. To resume normal playback from programmed playback.  
Press DISPLAY then select a track of list and then press PLAY or ENTER.

### Erasing a Track from program list

1. Use ▲ / ▼ to select the track that you wish to erase from the program list.
2. Press CLEAR. Repeat to erase additional tracks on the list.

**For details on each operation item, refer to relevant page.**



## Initial Settings

By using the Setup menu, you can make various adjustments to items such as picture and sound. You can also set a language for the subtitles and the Setup menu, among other things. For details on each Setup menu item, see pages 17 to 22.

### To display and exit the Menu:

Press **SETUP** to display the menu. A second press of **SETUP** will take you back to initial screen.

### To go to the next level:

Press **▶** on the remote control.

### To go back to the previous level:

Press **◀** on the remote control.

## General Operation

1. Press **SETUP**. The Setup menu appears.
2. Use **◀ / ▶** to select the desired option then press **▼** or **ENTER** to move to the second level. The screen shows the current setting for the selected item, as well as alternate setting(s).
3. Use **▲ / ▼** to select the second desired option then press **▶** to move to the third level.
4. Use **▲ / ▼** to select the desired setting then press **ENTER** to confirm your selection. Some items require additional steps.
5. Press **SETUP**, **RETURN** or **PLAY** to exit the Setup menu.

## LANGUAGE



### Menu Language

Select a language for the Setup menu and on-screen display.

### Disc Audio / Subtitle / Menu **DVD**

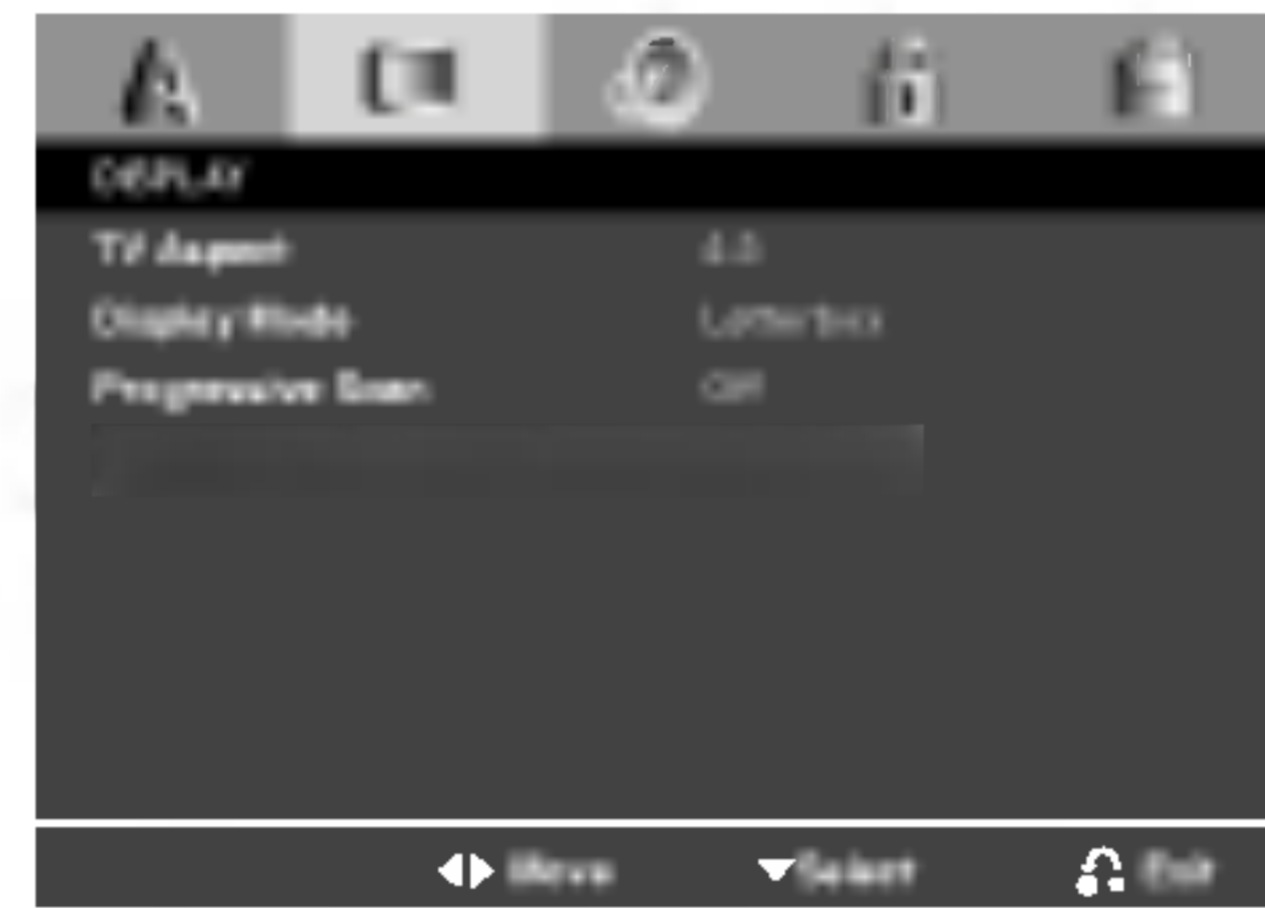
Select the language you prefer for the audio track (disc audio), subtitles, and the disc menu.

**Original:** Refers to the original language in which the disc was recorded.

**Other:** To select another language, press number buttons then Press **ENTER** to enter the corresponding 4-digit number according to the language code list in the reference chapter. If you enter the wrong language code, press **CLEAR**.

## Initial Settings (continued)

### DISPLAY



#### TV Aspect **DVD**

**4:3:** Select when a standard 4:3 TV is connected.

**16:9:** Select when a 16:9 wide TV is connected.

#### Display Mode **DVD**

Display Mode setting works only when the TV Aspect mode is set to "4:3".

**LetterBox:** Displays a wide picture with bands on the upper and lower portions of the screen.

**Panscan:** Automatically displays the wide picture on the entire screen and cuts off the portions that do not fit.

### Progressive Scan

Progressive Scan Video provides the highest quality pictures with less flickering. If you are using the Component Video jacks for connection to a TV or monitor that is compatible with a progressive scan signal, set Progressive Scan to On. Press ENTER to confirm your selection. The confirm menu will appear.

#### Caution

If your TV does not accept the Progressive Scan format, the picture will appear scrambled if you try Progressive Scan on the DVD Player. If you set Progressive Scan to On in error, you must reset the unit.

- 1) Press ►. Select "Off" using the ▲ / ▼ buttons.  
The Setup menu appears.
- 2) Press STOP and hold it for five seconds before releasing it. The video output will be restored to the standard setting and a picture will once again be visible on a conventional analog TV or monitor.

## Initial Settings (continued)

### AUDIO

Each DVD disc has a variety of audio output options. Set the player's AUDIO options according to the type of audio system you use.



#### Dolby Digital / DTS / MPEG **DVD**

**Bitstream:** Select "Bitstream" if you connect the DVD Player's DIGITAL OUT jack to an amplifier or other equipment with a Dolby Digital, DTS or MPEG decoder.

**PCM (for Dolby Digital / MPEG):** Select when connected to a two-channel digital stereo amplifier. DVDs encoded in Dolby Digital or MPEG will be automatically downmixed to two-channel PCM audio.

**Off (for DTS):** If you select "Off", the DTS signal is not output through the DIGITAL OUT jack.

#### Sample Freq. (Frequency) **DVD**

If your receiver or amplifier is NOT capable of handling 96 KHz signals, select 48 KHz. When this choice is made, this unit automatically converts any 96 KHz signals to 48 KHz so your system can decode them.

If your receiver or amplifier is capable of handling 96 KHz signals, select 96 KHz. When this choice is made, this unit passes each type of signal through without any further processing.

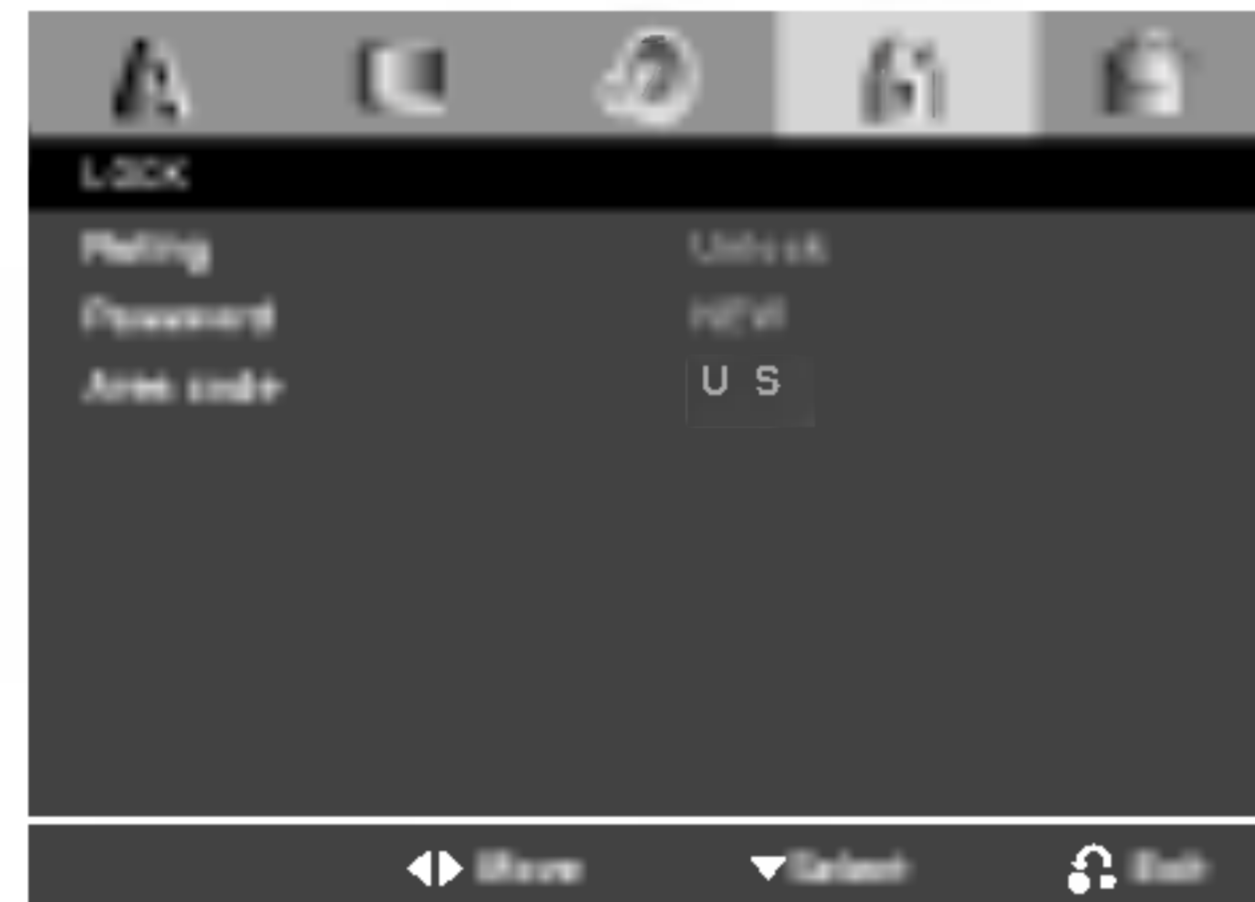
Check the documentation for your amplifier to verify its capabilities.

#### DRC (Dynamic Range Control) **DVD**

With the DVD format, you can hear a program's soundtrack in the most accurate and realistic presentation possible, thanks to digital audio technology. However, you may wish to compress the dynamic range of the audio output (the difference between the loudest sounds and the quietest ones). This allows you to listen to a movie at a lower volume without losing clarity of sound. Set DRC to On for this effect.

## Initial Settings (continued)

### LOCK (Parental Control)



#### Rating **DVD**

Some movies contain scenes that may not be suitable for children to view. Many of these discs contain parental control information that applies to the complete disc or to certain scenes on the disc. Movies and scenes are rated from 1 to 8, depending on the country. Some discs offer more suitable scenes as an alternative.

The parental control feature allows you to block access to scenes below the rating you input, thereby preventing your children from being able to view material you believe is unsuitable.

**Rating 1-8:** Rating one (1) has the most restrictions and rating eight (8) is the least restrictive.

**Unlock:** If you select unlock, parental control is not active and the disc plays in full.

#### **NOTE**

If you set a rating for the player, all disc scenes with the same rating or lower are played. Higher rated scenes are not played unless an alternate scene is available on the disc. The alternative must have the same rating or a lower one. If no suitable alternative is found, playback stops. You must enter the 4-digit password or change the rating level in order to play the disc.

1. Select Rating on the LOCK menu then press ►.
2. Select a rating from 1 to 8 using the ▲ / ▼ buttons and press ENTER. The password window will appear.
3. **If you have not entered password yet:**  
When the “New Password” section is highlighted, enter a 4-digit password using the numbered buttons then press ENTER. Enter the 4-digit security password again to verify when the “Confirm Password” section is highlighted. The “OK” will be highlighted.  
**If you have entered password already:**  
Enter a 4-digit password you have entered using the numbered buttons. The “OK” will be highlighted.
4. Press ENTER to confirm your rating selection, then press SETUP to exit the menu.

#### **TIPS**

- If you make a mistake before pressing ENTER in each section, press CLEAR to enter again or ◀ repeatedly to delete password numbers one by one then correct it.
- If you enter the wrong password, you can not proceed to the next step.

## Initial Settings (continued)

### Password (Security Code)

You can create or change password.

1. Select Password on the LOCK menu then press ►. The “Change” is highlighted
2. Press ENTER then the password window will appear.
3. **To make a new password:**  
When the “New Password” section is highlighted, enter a 4-digit password using the numbered buttons then press ENTER. Enter the 4-digit password again to verify when the “Confirm Password” section is highlighted, then. The “OK” will be highlighted.  
**To change the password:**  
When the “Old Password” section is highlighted, enter the 4-digit password you have created then press ENTER. The “New Password” section will be highlighted. Enter a new 4-digit password using the numbered buttons then press ENTER. Enter the new 4-digit security password again to verify when the “Confirm Password” section is highlighted. The “OK” will be highlighted.
4. Press SETUP to exit the menu.

### If you forget your Security Code

If you forget your security code you can clear it using the following steps:

1. Remove any disc from the unit and close the disc tray.  
See that “nodISC” is displayed on the display window.
2. Press SETUP and setup menu appears on the TV screen.  
Use the numbered buttons to enter the 6-digit number “210499”.  
See that “P-CLr” is displayed on the display window.
3. Enter a new password as described above.

### Area Code **DVD**

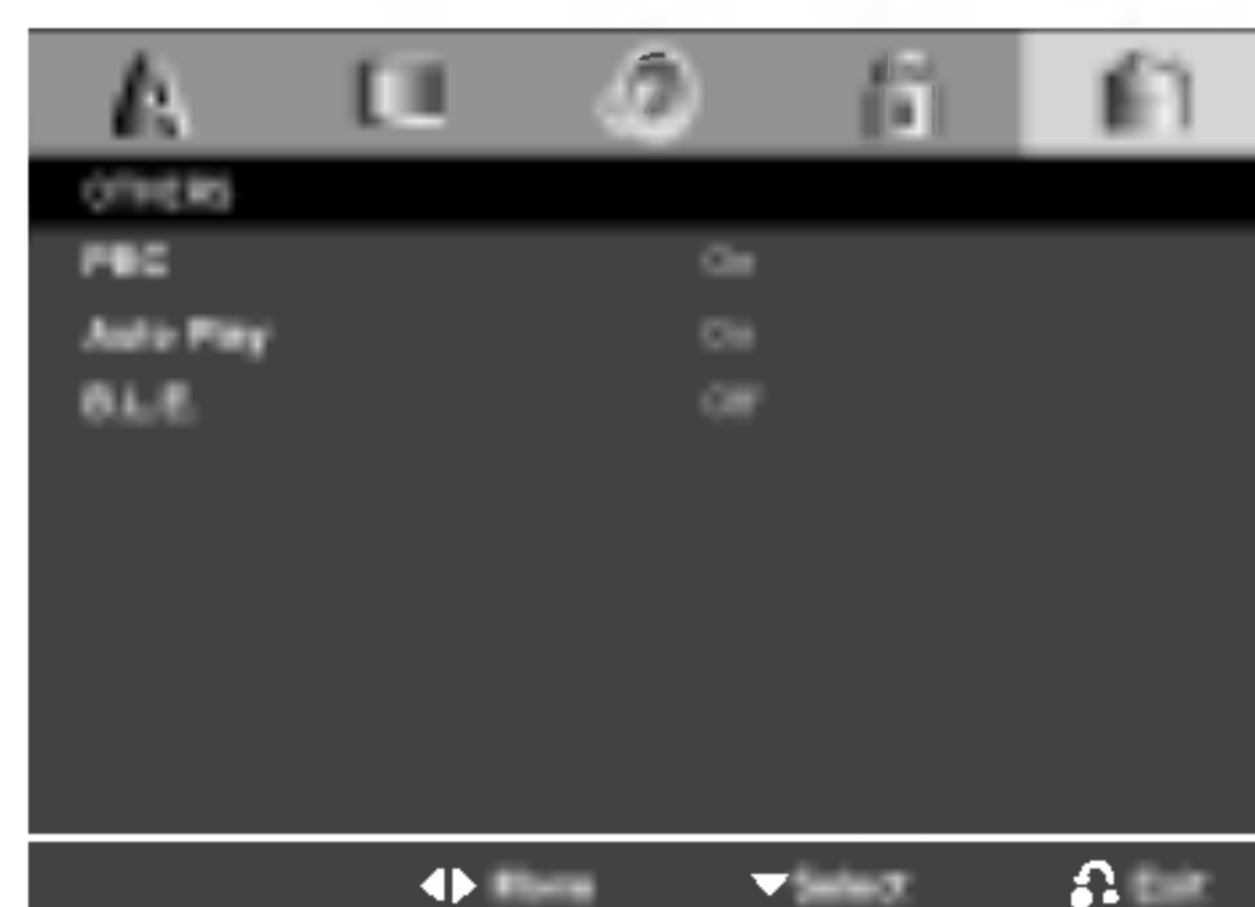
Enter the code of the area whose standards were used to rate the DVD video disc, based on the list in the reference chapter.

1. Select “Area Code” on the LOCK menu then press ►.
2. Select the first character using ▲ / ▼ buttons.
3. Shift the cursor using ► button and select the second character using ▲ / ▼ buttons then press ENTER, the password window will appear
4. Press ENTER, the password window will appear.
5. **If you have not entered password yet:**  
When the “New Password” section is highlighted, enter a 4-digit password using the numbered buttons then press ENTER. Enter the 4-digit security password again to verify when the “Confirm Password” section is highlighted. The “OK” will be highlighted.  
**If you have entered password already:**  
Enter a 4-digit password you have entered using the numbered buttons. The “OK” will be highlighted.
6. Press ENTER to confirm your Area Code selection, then press SETUP to exit the menu.

## Initial Settings (continued)

### OTHERS

The PBC, Auto Play and B.L.E. settings can be changed.



### PBC **VCD**

Set Playback Control (PBC) to On or Off.

**On:** Video CDs with PBC are played according to the PBC.

**Off:** Video CDs with PBC are played the same way as Audio CDs.

#### NOTES

- **PBC: Playback Control (Video CD only)**  
Playback control is available for Video CD (VCD) version 2.0 disc formats. PBC allows you to interact with the system via menus, search functions, or other typical computer-like operations. Moreover, still pictures of high resolution can be played if they are included in the disc. Video CDs not equipped with PBC (Version 1.1) operate in the same way as audio CDs.
- Use the number buttons to select the track you want to view and press RETURN to return to the menu screen. Menu settings and operating procedures may differ. Follow the instructions on the each menu screen. You also may set PBC to Off.

### Auto Play **DVD**

You can set up the DVD Player so a DVD disc automatically starts playing whenever the DVD is inserted.

If Auto Play mode is set to On, this DVD player will search for title that has the longest playback time and then play back the title automatically.

**On:** Auto Play function is activated.

**Off:** Auto Play function is not activated.

#### NOTE

The Auto Play function may not work for some DVDs.

### B.L.E. (Black Level Expansion)

To select the black level of playback pictures. Set your preference and monitor's ability.

**On:** Expanded grey scale. (0 IRE cut off)

**Off:** Standard grey scale. (7.5 IRE cut off)

#### NOTE

The B.L.E. function works NTSC system only.

## Additional Information

### **COPYRIGHTS:**

It is forbidden by law to copy, broadcast, show, broadcast via cable, play in public, or rent copyrighted material without permission.

This product features the copy protection function developed by Macrovision. Copy protection signals are recorded on some discs. When recording and playing the pictures of these discs on a VCR, picture noise will appear.

This product incorporates copyright protection technology that is protected by method claims of certain U.S. patents and other intellectual property rights owned by Macrovision Corporation and other rights owners. Use of this copyright protection technology must be authorized by Macrovision Corporation, and is intended for home and other limited viewing uses only unless otherwise authorized by Macrovision Corporation. Reverse engineering or disassembly is prohibited.

CONSUMERS SHOULD NOTE THAT NOT ALL HIGH DEFINITION TELEVISION SETS ARE FULLY COMPATIBLE WITH THIS PRODUCT AND MAY CAUSE ARTIFACTS TO BE DISPLAYED IN THE PICTURE. IN CASE OF 525 OR 625 PROGRESSIVE SCAN PICTURE PROBLEMS, IT IS RECOMMENDED THAT THE USER SWITCH THE CONNECTION TO THE 'STANDARD DEFINITION' OUTPUT. IF THERE ARE QUESTIONS REGARDING OUR TV SET COMPATIBILITY WITH THIS MODEL 525p AND 625p DVD PLAYER, PLEASE CONTACT OUR CUSTOMER SERVICE CENTER.

### **Controlling other TVs with the remote control**

You can control the sound level, input source, and power switch of your LG TV with the supplied remote control.

You can control the sound level, input source, and power switch of non-LG TVs as well. If your TV is listed in the table below, set the appropriate manufacturer code.

1. While holding down TV POWER button, press the number buttons to select the manufacturer code for your TV (see the table below).
2. Release TV POWER button.

### **Code numbers of controllable TVs**

If more than one code number is listed, try entering them one at a time until you find the one that works with your TV.

Manufacturer	Code Number
LG / GoldStar	1 (Default), 2
Zenith	1, 3, 4
Samsung	6, 7
Sony	8, 9
Hitachi	4

### **NOTES**

- Depending on your TV, some or all buttons may not function on the TV, even after entering the correct manufacturer code.
- If you enter a new code number, the code number previously entered will be erased.
- When you replace the batteries of the remote, the code number you have set may be reset to the default setting. Set the appropriate code number again.

## Troubleshooting

Symptom	Possible Cause	Correction
No power.	<ul style="list-style-type: none"> <li>The power cord is disconnected.</li> </ul>	<ul style="list-style-type: none"> <li>Plug the power cord into the wall outlet securely.</li> </ul>
The power is on, but the DVD player does not work.	<ul style="list-style-type: none"> <li>No disc is inserted.</li> </ul>	<ul style="list-style-type: none"> <li>Insert a disc. (Check that the DVD or audio CD indicator in the display window is lit.)</li> </ul>
No picture.	<ul style="list-style-type: none"> <li>The TV is not set to receive DVD signal output.</li> </ul>	<ul style="list-style-type: none"> <li>Select the appropriate video input mode on the TV.</li> </ul>
	<ul style="list-style-type: none"> <li>The video cable is not connected securely.</li> </ul>	<ul style="list-style-type: none"> <li>Connect the video cable securely.</li> </ul>
No sound.	<ul style="list-style-type: none"> <li>The equipment connected with the audio cable is not set to receive DVD signal output.</li> </ul>	<ul style="list-style-type: none"> <li>Select the correct input mode of the audio receiver so you can listen to the sound from the DVD player.</li> </ul>
	<ul style="list-style-type: none"> <li>The power of the equipment connected with the audio cable is turned off.</li> </ul>	<ul style="list-style-type: none"> <li>Turn on the equipment connected with the audio cable.</li> </ul>
	<ul style="list-style-type: none"> <li>The AUDIO options are set to the wrong position.</li> </ul>	<ul style="list-style-type: none"> <li>Set the Digital Audio Output to the correct position, then turn on the DVD player again by pressing POWER.</li> </ul>
The DVD player does not start playback.	<ul style="list-style-type: none"> <li>An unplayable disc is inserted.</li> </ul>	<ul style="list-style-type: none"> <li>Insert a playable disc. (Check the disc type, color system, and regional code.)</li> </ul>
	<ul style="list-style-type: none"> <li>The rating level is set.</li> </ul>	<ul style="list-style-type: none"> <li>Cancel the rating function or change the rating level.</li> </ul>
The remote control does not work properly.	<ul style="list-style-type: none"> <li>The remote control is not pointed at the remote sensor on the DVD player.</li> </ul>	<ul style="list-style-type: none"> <li>Point the remote control at the remote sensor of the DVD player.</li> </ul>
	<ul style="list-style-type: none"> <li>The remote control is too far from the DVD player.</li> </ul>	<ul style="list-style-type: none"> <li>Operate the remote control closer to the DVD player.</li> </ul>



## Language Codes

Use this list to input your desired language for the following initial settings:  
Disc Audio, Disc Subtitle, Disc Menu.

Language	Code	Language	Code	Language	Code	Language	Code
Abkhazian	6566	Fiji	7074	Lingala	7678	Singhalese	8373
Afar	6565	Finnish	7073	Lithuanian	7684	Slovak	8375
Afrikaans	6570	French	7082	Macedonian	7775	Slovenian	8376
Albanian	8381	Frisian	7089	Malagasy	7771	Somali	8379
Ameharic	6577	Galician	7176	Malay	7783	Spanish	6983
Arabic	6582	Georgian	7565	Malayalam	7776	Sudanese	8385
Armenian	7289	German	6869	Maltese	7784	Swahili	8387
Assamese	6583	Greek	6976	Maori	7773	Swedish	8386
Aymara	6588	Greenlandic	7576	Marathi	7782	Tagalog	8476
Azerbaijani	6590	Guarani	7178	Moldavian	7779	Tajik	8471
Bashkir	6665	Gujarati	7185	Mongolian	7778	Tamil	8465
Basque	6985	Hausa	7265	Nauru	7865	Tatar	8484
Bengali; Bangla	6678	Hebrew	7387	Nepali	7869	Telugu	8469
Bhutani	6890	Hindi	7273	Norwegian	7879	Thai	8472
Bihari	6672	Hungarian	7285	Oriya	7982	Tibetan	6679
Breton	6682	Icelandic	7383	Panjabi	8065	Tigrinya	8473
Bulgarian	6671	Indonesian	7378	Pashto, Pushto	8083	Tonga	8479
Burmese	7789	Interlingua	7365	Persian	7065	Turkish	8482
Byelorussian	6669	Irish	7165	Polish	8076	Turkmen	8475
Cambodian	7577	Italian	7384	Portuguese	8084	Twi	8487
Catalan	6765	Japanese	7465	Quechua	8185	Ukrainian	8575
Chinese	9072	Javanese	7487	Rhaeto-Romance	8277	Urdu	8582
Corsican	6779	Kannada	7578	Rumanian	8279	Uzbek	8590
Croatian	7282	Kashmiri	7583	Russian	8285	Vietnamese	8673
Czech	6783	Kazakh	7575	Samoan	8377	Volapük	8679
Danish	6865	Kirghiz	7589	Sanskrit	8365	Welsh	6789
Dutch	7876	Korean	7579	Scots Gaelic	7168	Wolof	8779
English	6978	Kurdish	7585	Serbian	8382	Xhosa	8872
Esperanto	6979	Laothian	7679	Serbo-Croatian	8372	Yiddish	7473
Estonian	6984	Latin	7665	Shona	8378	Yoruba	8979
Faroese	7079	Latvian, Lettish	7686	Sindhi	8368	Zulu	9085

## Area Codes

Choose an area code from this list.

Area	Code	Area	Code	Area	Code	Area	Code
Afghanistan	AF	Ethiopia	ET	Malaysia	MY	Saudi Arabia	SA
Argentina	AR	Fiji	FJ	Maldives	MV	Senegal	SN
Australia	AU	Finland	FI	Mexico	MX	Singapore	SG
Austria	AT	France	FR	Monaco	MC	Slovak Republic	SK
Belgium	BE	Germany	DE	Mongolia	MN	Slovenia	SI
Bhutan	BT	Great Britain	GB	Morocco	MA	South Africa	ZA
Bolivia	BO	Greece	GR	Nepal	NP	South Korea	KR
Brazil	BR	Greenland	GL	Netherlands	NL	Spain	ES
Cambodia	KH	Islands	HM	Netherlands Antilles	AN	Sri Lanka	LK
Canada	CA	Hong Kong	HK	New Zealand	NZ	Sweden	SE
Chile	CL	Hungary	HU	Nigeria	NG	Switzerland	CH
China	CN	India	IN	Norway	NO	Taiwan	TW
Colombia	CO	Indonesia	ID	Oman	OM	Thailand	TH
Congo	CG	Israel	IL	Pakistan	PK	Turkey	TR
Costa Rica	CR	Italy	IT	Panama	PA	Uganda	UG
Croatia	HR	Jamaica	JM	Paraguay	PY	Ukraine	UA
Czech Republic	CZ	Japan	JP	Philippines	PH	United States	US
Denmark	DK	Kenya	KE	Poland	PL	Uruguay	UY
Ecuador	EC	Kuwait	KW	Portugal	PT	Uzbekistan	UZ
Egypt	EG	Libya	LY	Romania	RO	Vietnam	VN
El Salvador	SV	Luxembourg	LU	Russian Federation	RU	Zimbabwe	ZW

## Specifications

### General

**Power requirements:** AC 110-240 V , 50/60 Hz

**Power consumption:** 8W

**Dimensions (Approx.):**

DZ9511P : 360 x 35 x 242 mm (W x H x D) without foot

DZ9711P : 430 x 35 x 242 mm (W x H x D) without foot

**Weight (Approx.):** DZ9511P : 1.7 kg

DZ9711P : 1.9 kg

**Operating temperature:**

5 °C to 35 °C (41 °F to 95 °F)

**Operating humidity:** 5 % to 90 %

### Outputs

**VIDEO OUT:**

1 Vp-p 75 Ω, sync negative, RCA jack x 1

**COMPONENT VIDEO OUT:**

(Y) 1.0 V (p-p), 75 Ω, negative sync, RCA jack x 1

(Pb)/(Pr) 0.7 V (p-p), 75 Ω, RCA jack x 2

**AUDIO OUT:**

2.0 Vrms (1 KHz, 0 dB), 600 Ω, RCA jack (L, R) x 1

**DIGITAL OUT (COAXIAL):**

0.5 V (p-p), 75 Ω, RCA jack x 1

### System

**Laser:**

Semiconductor laser, wavelength 650 nm

**Signal system:** PAL / NTSC

**Frequency response:**

DVD (PCM 96 kHz): 8 Hz to 44 kHz

DVD (PCM 48 kHz): 8 Hz to 22 kHz

CD: 8 Hz to 20 kHz

**Signal-to-noise ratio:**

More than 100 dB (ANALOG OUT connectors only)

**Harmonic distortion:** Less than 0.02%

**Dynamic range:**

More than 95 dB (DVD/CD)

**Accessories:**

Video cable (1), Audio cable (1), Remote control (1), Batteries (2)



دليل المالك لمشغل  
أقراص DVD  
طراز: DZ9511P/DZ9711P



قبل توصيل المنتج أو تشغيله أو ضبطه، الرجاء  
قراءة كتيب التعليمات هذا كاملاً وبمعناية.

## احتياطات الأمان

### تحذير بخصوص سلك الكهرباء

يفضل استخدام دائرة كهربائية منفصلة لكل جهاز على حده؛  
أي أن مصدر التيار يقوم بتزويد هذا الجهاز فقط ولا يكون له أي مصادر تيار  
إضافية أو دوائر فرعية. راجع صفحة المواصفات في دليل التشغيل هذا كي تكون  
متأكداً.

احرص على عدم زيادة العبء على مصادر التيار الموجودة بالحائط. فقد يؤدي ذلك  
إلى تلفها، أو خطراً للأسلاك الإضافية أو اهترائها، أو تدمير أو قطع عزل الأسلاك  
والذي يعد خطراً للغاية. قد تؤدي أي من تلك الظروف إلى حريق أو صدمة  
كهربائية.  
قم بفحص سلك الجهاز دورياً، وإن ظهرت أي بوادر لتلفه أو تمزقه، قم بفصله،  
وتوقف عن استخدام الجهاز، ثم استبدل السلك بقطعة غيار مماثلة من مركز  
خدمة معتمد.

قم بحماية سلك الكهرباء من إساءة الاستخدام سواء كانت مادية أو ميكانيكية،  
مثل ليه أو تثنية، أو ثقبه، أو غلق الباب عليه، أو المشي عليه. ليكن هناك  
اهتمام خاص بالمنافذ ومقابس الحائط، ونقاط خروج الأسلاك من الجهاز.

### الرقم المسلسل:

يوجد الرقم المسلسل على ظهر الوحدة.  
هذا الرقم فريد وخاص بهذه الوحدة وغير متوفر لأي طرف آخر. يجب تسجيل  
المعلومات المطلوبة هنا والاحتفاظ بهذا الدليل كإثبات دائم على الشراء.

رقم الطراز. \_\_\_\_\_

الرقم المسلسل. \_\_\_\_\_

### تحذير

خطر حدوث صدمات كهربية  
لا تفتح



تحذير: تستخدم تعليمات الخدمة هذه من قبل فني الخدمة المؤهلين  
فقط. ولتقليل خطر حدوث صدمات كهربية، لا تقم بأي إجراء خدمة  
غير تلك الواردة في تعليمات التشغيل إلا إذا كنت فني متخصص  
للقيام بذلك.

تحذير: يجب عدم تعريض الجهاز للماء (النقط أو الرذاذ). كما يجب  
عدم وضع أية أشياء بها سوائيل مثل المزهريات عليه.



تحذير: يستخدم هذا المنتج نظام ليزر.  
لضمان الاستخدام الصحيح لهذا المنتج، برجاء قراءة دليل المالك  
بعناية والاحتفاظ به للرجوع إليه في المستقبل. وفي حالة حاجة  
الوحدة للخدمة، اتصل بموقع الخدمة المؤهل.  
يمكن أن يؤدي استخدام مفاتيح التحكم أو الضبط أو القيام بأي  
إجراءات غير تلك الواردة في هذا الدليل إلى التعرض لأشعة خطيرة.  
ولمنع التعرض المباشر لأشعة الليزر، لا تحاول فتح العلبة، حيث تظهر  
أشعة ليزر مرئية عند فتحه. لا تحديق في الشعاع.

تنبيه: لا تركيب الجهاز في مكان مغلق مثل مكتبة أو ما شابه ذلك.

## جدول المحتويات

	<b>مقدمات</b>
٢	احتياطات الأمان
٣	جدول المحتويات
٥-٤	قبل الاستخدام
٤	الرموز المستخدمة في هذا الدليل
٤	حول عرض الرمز
٤	ملاحظات على الأقراص
٤	تركيب بطارية جهاز التحكم عن بعد
٥	الصيانة والخدمة
٥	أنواع الأقراص القابلة للقراءة
٦	اللوحة الأمامية
٧	التحكم عن بعد
٩-٨	إعداد المشغل
٨	وصلات مشغل أقراص DVD
٩	وصلة الصوت بجهاز اختياري
	<b>عمليات التشغيل المتقدمة</b>
١٦-١٠	مميزات عامة
١٠	العرض على الشاشة
١٠	الانتقال إلى CHAPTER/TRACK (فصل/مسار) آخر
١٠	العرض البطيء
١٠	قائمة Title (عنوان)
١٠	قائمة القرص
١٠	تغيير اللغة المسموعة
١٠	بحث
١٠	القراءة في وضع الصورة الثابتة وإطار بإطار
١١	بحث مؤشر مرجعي
١١	تكرار A-B
١١	تكرار
١١	عشوائي
١٢	Zoom (تكبير/تصغير)
١٢	زاوية الكاميرا
١٢	لغات ترجمة الأفلام
١٢	تغيير اللغة المسموعة
١٢	ذاكرة آخر مشهد
١٢	شاشة التوقف
١٢	اختيار النظام
١٣	تشغيل الأقراص الصوتية و أقراص MP3/WMA
١٣	توافق قرص MP3/WMA مع هذا المشغل محدود كما يلي
١٤	مميزات الأقراص الصوتية وأقراص MP3 / WMA
١٤	• إيقاف مؤقت
١٤	• الانتقال إلى مسار آخر
١٤	• عشوائي
١٤	• تكرار مسار/ الكل/ عادي
١٤	• تكرار A-B
١٤	• بحث
١٥	عرض قرص JPEG
١٥	• الانتقال إلى ملف آخر
١٥	• لتدوير الصورة
١٥	• صورة ثابتة
١٥	• Zoom (تكبير/تصغير)
١٥	• توافق قرص JPEG مع هذا المشغل محدود كما يلي
١٦	القراءة المبرمجة
١٦	• مسح مسار من قائمة البرنامج
	<b>الإعدادات الأولية</b>
٢٢-١٧	الإعدادات الأولية
١٧	التشغيل العام
١٧	اللغة
١٨	العرض
١٩	الصوت
٢١-٢٠	التأمين (الرقابة الأبوية)
٢٢	بنود أخرى
	<b>المراجع</b>
٢٣	معلومات إضافية
٢٣	التحكم في أجهزة تلفاز أخرى باستخدام وحدة التحكم عن بعد
٢٤	اكتشاف الأعطال وإصلاحها
٢٥	رموز اللغات
٢٦	رموز الدول
٢٧	المواصفات

## قبل الاستخدام

لضمان الاستخدام الصحيح لهذا المنتج، برجاء قراءة دليل المالك بعناية والاحتفاظ به للرجوع إليه في المستقبل.

يعطي هذا الدليل معلومات حول التشغيل والصيانة لمشغل أقراص DVD. وفي حالة حاجة الوحدة للخدمة، اتصل بموقع الخدمة المؤهل.

### الرموز المستخدمة في هذا الدليل

ينبه رمز الضوء الوامض إلى وجود خطر فولطية داخل غلاف المنتج والذي من شأنه أن يؤدي إلى خطر صدمات كهربائية.



ينبه رمز علامة التعجب إلى وجود تعليمات خدمة/صيانة وتشغيل مهمة.



يشير إلى المخاطر المحتمل أن تسبب ضررًا للوحدة نفسها أو أية أضرار مادية أخرى.



DVD وأقراص DVD ±R/RW المنتهية.



أقراص الفيديو



الأقراص الصوتية



أقراص MP3



أقراص WMA



أقراص JPEG



ملاحظة:

يشير إلى ملاحظات وميزات تشغيل خاصة.

تلميح:

يشير إلى تلميحات من شأنها أن تسهل المهمة. يسري أي قسم يحتوي عنوانه على أي من الرموز التالية على القرص الذي يمثله الرمز.

### حول عرض الرمز

قد يظهر الرمز «⓪» على شاشة عرض التلفاز أثناء التشغيل ويشير إلى أن الوظيفة المشروحة في هذا الدليل غير متوافرة في قرص فيديو DVD هذا.

### ملاحظات على الأقراص

#### التعامل مع الأقراص

لا تلمس القرص من جانب القراءة. أمسك القرص من الحواف لكي لا تترك بصمات على السطح. لا تلتصق أي ورق أو أشرطة على القرص.

#### تخزين الأقراص

قم بتخزين القرص في علبته بعد إنتهاء القراءة. لا تعرض القرص إلى ضوء الشمس المباشر أو مصادر الحرارة ولا تتركه في السيارة المنتظرة معرضاً لضوء الشمس المباشر.

#### تنظيف الأقراص

تتسبب بصمات الأصابع أو الأتربة الموجودة على القرص في جودة صورة غير جيدة وتشويش الصوت. نظف القرص بقطعة قماش نظيفة قبل القراءة. امسح القرص من المنتصف إلى الخارج.

### تركيب بطارية جهاز التحكم عن بعد

قم بفك غطاء البطارية الموجود على الجزء الخلفي من جهاز التحكم عن بعد، وأدخل بطاريتين R03 (حجم AAA) مع محاذاة قطبيها السالب والموجب + و- بطريقة صحيحة.

## قبل الاستخدام (يتبع)

### الصيانة والخدمة

راجع المعلومات في هذا الفصل قبل الاتصال بفني الخدمة.

### التعامل مع الوحدة

#### عند شحن الوحدة

برجاء الاحتفاظ بصندوق الشحن الكرتوني الأصلي ومواد التغليف. في حالة الحاجة إلى شحن الوحدة، وللحصول على الحماية القصوى، أعد تعبئة الوحدة بالحالة التي أتت عليها من المصنع.

#### للحفاظ على سطح الوحدة نظيفاً

- لا تستخدم سوائل متطايرة، مثل مبيد الحشرات، بالقرب من الوحدة.
- لا تدع المنتجات المصنوعة من المطاط أو البلاستيك تحتك بالوحدة لفترة طويلة، حيث أن تلك المنتجات تترك أثراً على سطح الوحدة.

#### تنظيف الوحدة

استخدم قطعة قماش جافة وناعمة لتنظيف المشغل. إذا كانت الأسطح متربة للغاية، فاستخدم قطعة قماش ناعمة ومرطبة قليلاً بمحلول منظف خفيف.

لا تستخدم مذيبيات قوية مثل الكحول أو البنزين أو مرقق الطلاء حيث يمكن لهذه المواد أن تتلف سطح الوحدة.

#### صيانة الوحدة

فمشغل أقراص DVD هو جهاز تكنولوجيا عالية ودقة بالغة. إذا كانت عدسة اللاقط البصري وأجزاء مشغل الأقراص متسخة أو بليت، فإن جودة الصورة ستكون رديئة.

يوصى بالقيام بالفحص والصيانة الدورية كل ١٠٠ ساعة استخدام، وفقاً لبيئة التشغيل.

لمزيد من التفاصيل، الرجاء الاتصال بأقرب مركز خدمة معتمد.

### أنواع الأقراص القابلة للقراءة

م:  
م:  
م:

تستطيع هذه الوحدة تشغيل أقراص DVD، أقراص الفيديو Video CD، الأقراص الصوتية Audio CD، DVD±R، DVD±RW، SVCD، CD-R، أو CD-RW والتي تحتوي على عناوين صوتية، وملفات MP3، WMA، أو JPEG.

صُنع بترخيص من معامول دولبي. إن كلاً من «Dolby» و«Pro Logic» ورمز DD علامة تجارية لمعامول دولبي.

إن DTS و DTS Digital Out علامتين تجاريتين لشركة Digital Theater Systems, Inc.

#### ملاحظات

- بناءً على ظروف جهاز التسجيل أو قرص CD-R/RW (أو DVD±R/±RW) نفسه، لا يمكن لهذه الوحدة تشغيل بعض أقراص CD-R/RW (أو DVD±R/±RW).
- لا تضع أية أختام أو علامات على أي من جانبي القرص (الجانب ذي العلامة أو الجانب المسجل عليه).
- لا تستخدم أية أقراص ذات أشكال غير عادية (مثل الأقراص حادة الشكل أو الأقراص ثمانية الأضلاع)، فقد يؤدي ذلك إلى عيوب في التشغيل.

#### ملاحظات على أقراص DVD وأقراص الفيديو

قد تكون هناك بعض عمليات القراءة لأقراص DVD وأقراص الفيديو مبرمجة عن قصد من قبل الشركات المصنعة. ونظراً لأن هذه الوحدة تقوم بتشغيل أقراص DVD وأقراص الفيديو وفقاً لمحتوى القرص المصمم من قبل الشركة المصنعة، فقد لا تتوفر بعض ميزات القراءة أو قد تتم إضافة بعض الوظائف الأخرى.

#### الرمز الإقليمي

تم تصميم مشغل أقراص DVD وتصنيعه لقراءة برامج DVD المشفرة بالمنطقة «2». ويمكن لهذه الوحدة تشغيل أقراص DVD ذات العلامة «2» أو «ALL».



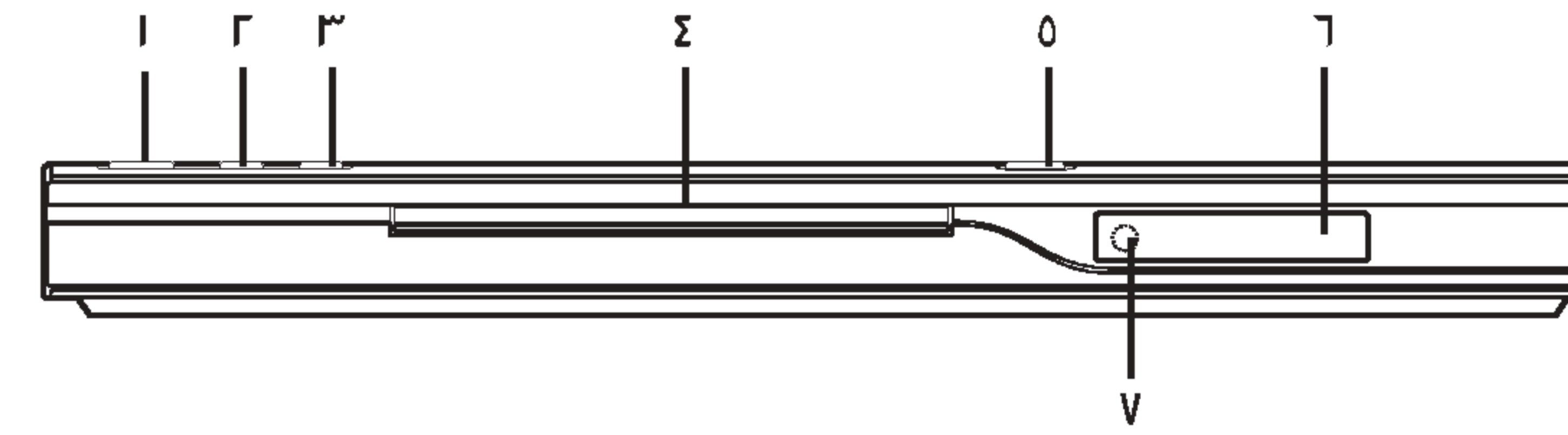
عند محاولتك تشغيل قرص DVD باستخدام رمز إقليمي مختلف عن رقم المشغل، ستظهر رسالة «Check Regional Code» (تأكد من الرمز الإقليمي) على الشاشة.



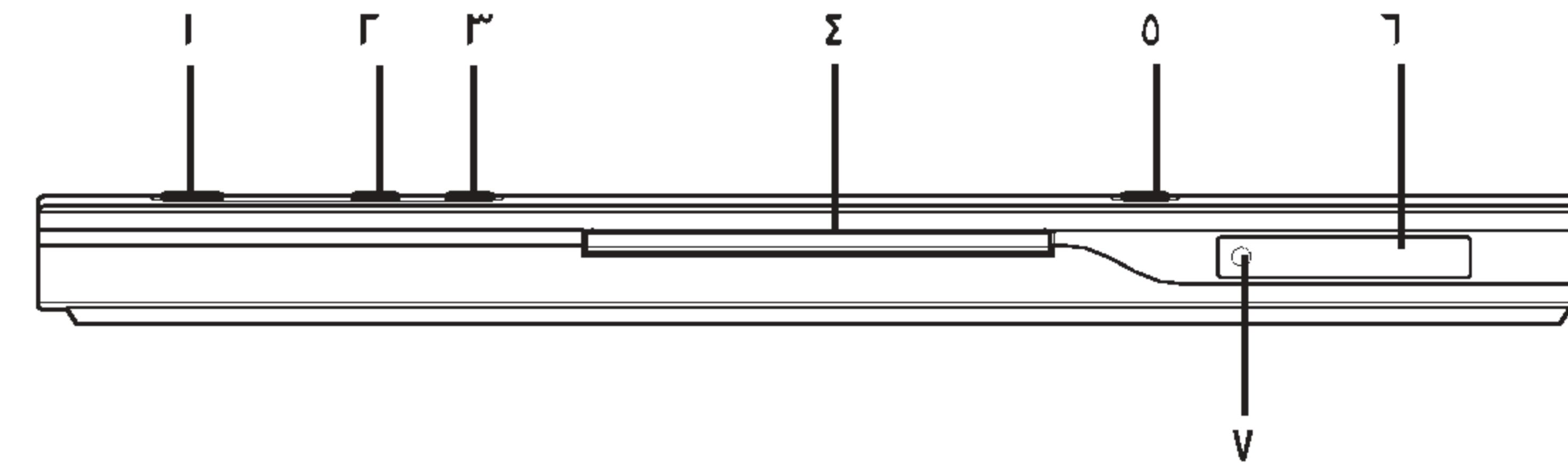
## اللوحة الأمامية

DZ9511P

١. زر الطاقة  
يشغل/يوقف تشغيل مشغل الأقراص.
٢. PLAY (▶) (تشغيل)  
يبدأ القراءة.
٣. STOP (■) (إيقاف)  
يوقف القراءة.
٤. علبة القرص  
أدخل قرصاً هنا.
٥. OPEN/CLOSE (▲) (فتح/إغلاق)  
يفتح علبة القرص أو يغلقها.
٦. إطار العرض  
يظهر الحالة الحالية للمشغل.
٧. جهاز الاستشعار عن بعد  
وجه وحدة التحكم عن بعد إلى هنا.



DZ9711P



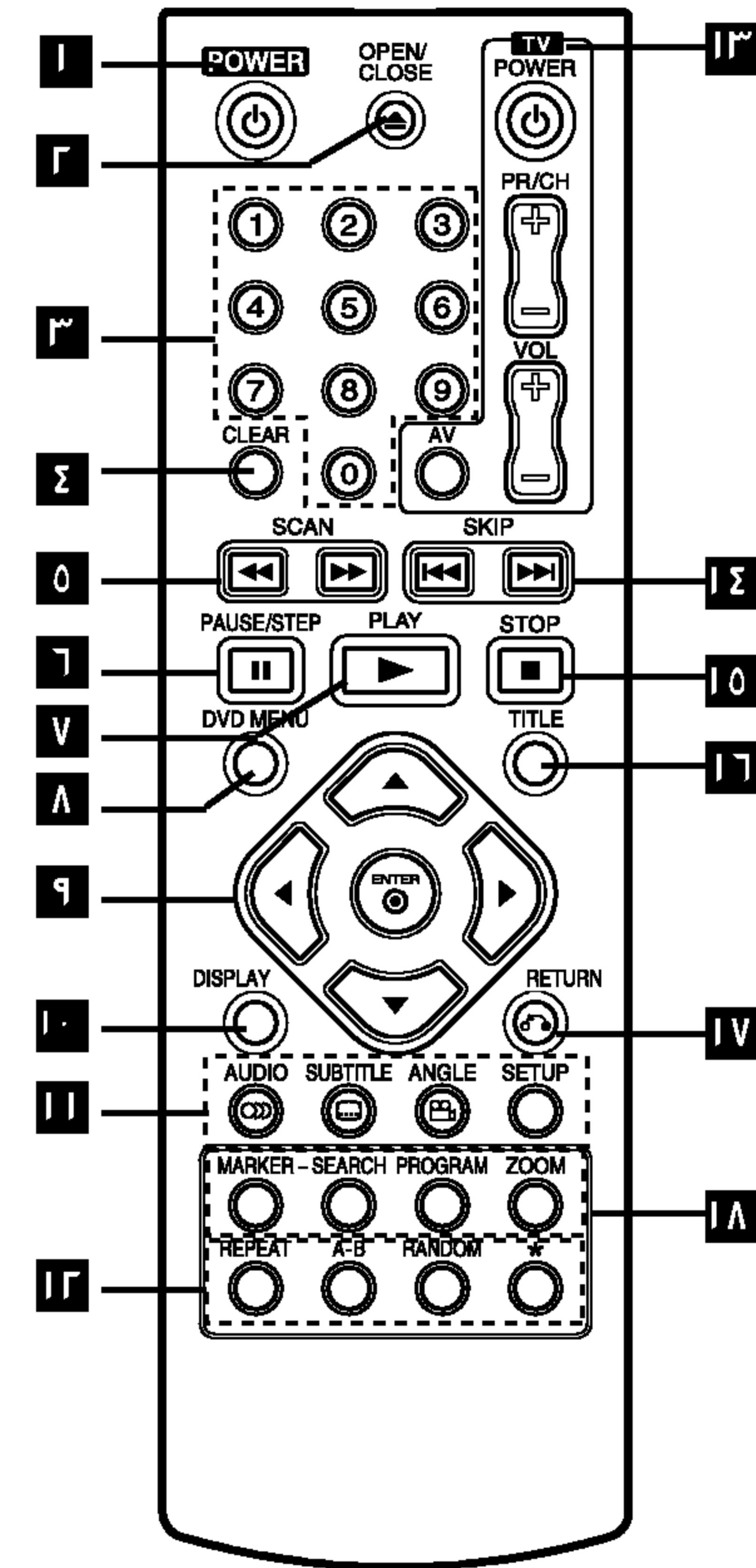
## التحكم من بعد

م:  
م:

- TV VOL +/-**  
(مستوى صوت التلفاز +/-):  
يضيظ مستوى صوت التلفاز
- AV:**  
يختار مصدر التلفاز.
- SKIP (◀◀ / ▶▶) (تخطي)** ١٤  
الانتقال إلى الفصل أو المسار التالي.
- يرجع لبداية الفصل أو المسار الحالي أو الانتقال إلى الفصل أو المسار السابق.
- STOP (■) (إيقاف)** ١٥  
يوقف القراءة.
- TITLE (عنوان)** ١٦  
يعرض قائمة عنوان، إذا كانت متاحة.
- RETURN (رجوع)** ١٧  
يحذف قائمة الإعداد، ويعرض قائمة قرص فيديو مع ميزة PBC (التحكم في القراءة).
- MARKER (مؤشر مرجعي)** ١٨  
يضع علامة على أي نقطة أثناء القراءة.
- SEARCH (بحث)**  
يعرض قائمة  
MARKER SEARCH  
(بحث مؤشر مرجعي).
- PROGRAM (برنامج)**  
يضع مسار على قائمة البرنامج.
- ZOOM (تكبير/تصغير)**  
يكبر صورة الفيديو.

- DISPLAY (العرض)** ١٠  
ل للوصول إلى العرض على الشاشة.
- AUDIO (صوت)** ١١  
يختار لغة الصوت (DVD).
- SUBTITLE (ترجمة الأفلام)**  
يختار لغة ترجمة الأفلام.
- ANGLE (زاوية)**  
يختار زاوية كامير DVD إذا كانت متاحة.
- SETUP (إعداد)** ١٢  
يمكنك من الوصول إلى قائمة الإعداد أو إزالتها.
- REPEAT (تكرار)** ١٣  
تكرار فصل، مسار، عنوان، الكل.
- A-B**  
تكرار تسلسل.
- RANDOM (عشوائي)**  
يشغل مسارات بترتيب عشوائي.
- \* \*
- هذا الزر غير متوفر.
- أزرار التحكم في التلفاز** ١٣
- TV POWER (زر طاقة التلفاز):**  
يشغل/يوقف تشغيل التلفاز.
- TV PR/CH +/-**  
(قنوات/برامج التلفاز +/-):  
يختار قناة التلفاز.

- POWER (زر الطاقة)** ١  
يشغل مشغل أقراص DVD ويوقف تشغيله.
- OPEN /CLOSE (فتح/إغلاق)** ٢  
يفتح علبة القرص أو يغلقها.
- الأزرار الرقمية من ٠ إلى ٩** ٣  
يختار عناصر مرقمة في قائمة.
- CLEAR (مسح)** ٤  
يمسح رقم مسار في قائمة البرنامج أو علامة في قائمة MARKER SEARCH (بحث مؤشر مرجعي).
- SCAN (◀◀ / ▶▶) (مسح)** ٥  
بحث للخلف أو للأمام.
- PAUSE /STEP (II) (إيقاف تشغيل مؤقت/خطوة)** ٦  
لإيقاف القراءة مؤقتاً/اضغط بشكل متكرر للقراءة باستخدام خيار إطار بإطار.
- PLAY (▶) (تشغيل)** ٧  
يبدأ القراءة.
- DVD MENU (قائمة DVD)** ٨  
ل للوصول إلى قائمة على قرص DVD.
- ◀ ▶ ▲ ▼** ٩  
(يسار/يمين/أعلى/أسفل)  
يختار عنصراً في القائمة.
- إدخال  
يؤكد اختيار القائمة.



## إعداد المشغل

### وصلات مشغل أقراص DVD

ووفقاً لنوع التلفاز وأي جهاز آخر، توجد عدة طرق يمكن توصيل المشغل بها: الرجاء الرجوع إلى أدلة استخدام التلفاز والفيديو، ونظام الاستريو وأي أجهزة أخرى للحصول على معلومات إضافية خاصة بالتوصيل.

### وصلات الصوت والفيديو بالتلفاز

تأكد من توصيل مشغل DVD بالتلفاز مباشرة وليس بـ VCR، وإلا فيمكن أن تكون صورة DVD مشوهة طبقاً لنظام الحماية ضد النسخ.

**VIDEO (فيديو) :** صل قابس VIDEO OUT (مخرج الفيديو) الموجود بمشغل DVD بقابس مدخل الفيديو في التلفاز باستخدام كابل الفيديو (V).

**Component Video (Color Stream®) (الفيديو المركب) :** صل قوابس COMPONENT VIDEO OUT/PROGRESSIVE SCAN (مخرج الفيديو المركب/مسح متوالي) الموجودة بمشغل DVD بمقابس الإيدال المتوافقة في التلفاز باستخدام كابل (C)Y Pb Pr.

### وصلة الصوت بالتلفاز

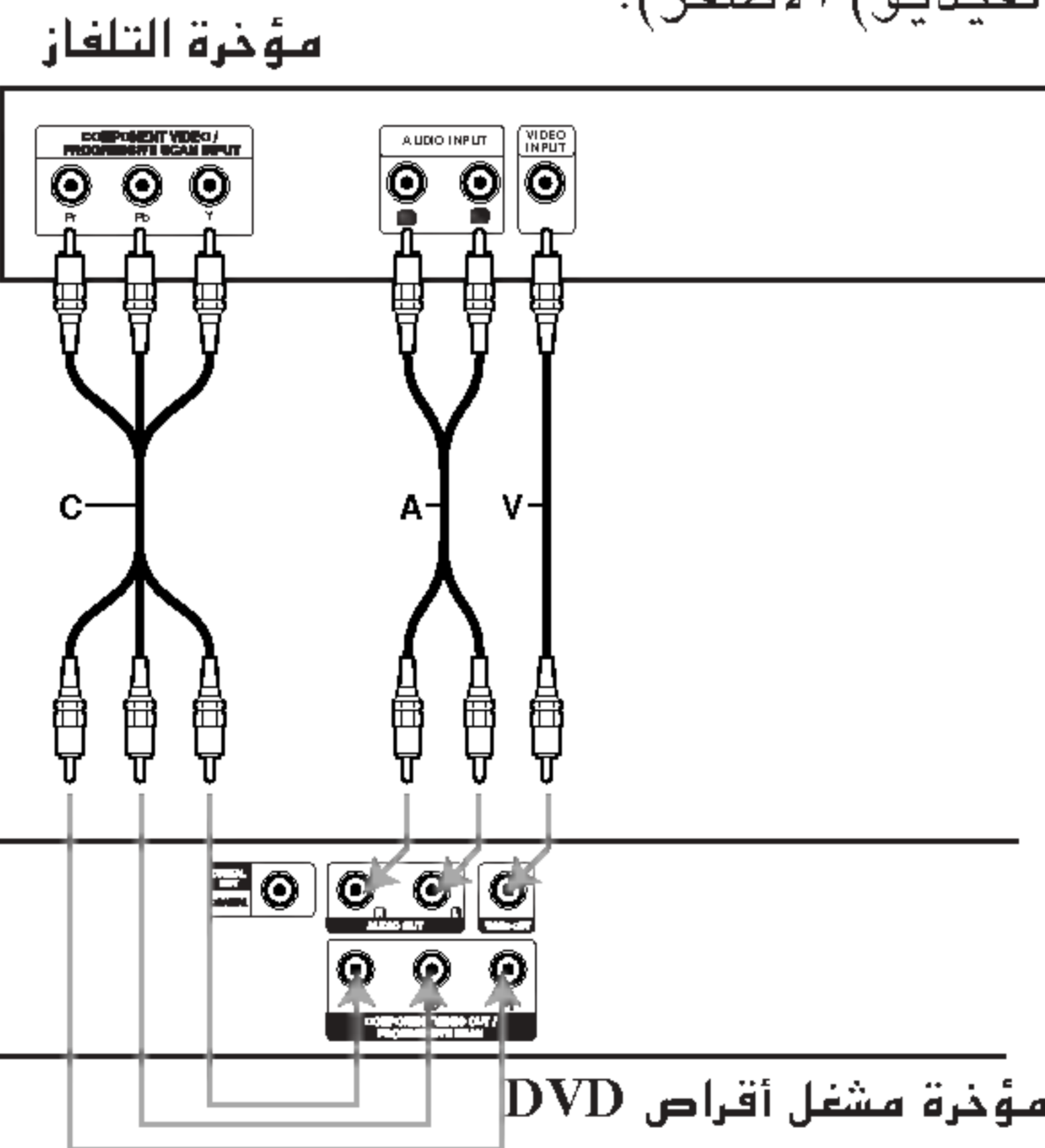
صل قابسي AUDIO OUT (مخرج الصوت) الأيسر والأيمن في مشغل أقراص DVD بقابسي مدخل الصوت الأيسر/الأيمن في التلفاز (A) باستخدام كابلات الصوت. لا تصل قابس AUDIO OUT (مخرج الصوت) الخاص بمشغل أقراص DVD بقابس مدخل الحاكي (جهاز التسجيل) للنظام الصوتي.

### Progressive Scan (ColorStream® pro) (مسح متوالي) :

- إذا كان جهاز التلفاز الخاص بك عالي الوضوحية أو «جهاز رقمياً»، فيمكنك الاستفادة من ميزة إخراج المسح المتوالي لمشغل أقراص DVD للحصول على أعلى دقة فيديو ممكنة.
- وإذا كان جهاز التلفاز لا يقبل تنسيق المسح المتوالي، فستظهر الصورة سريعة إذا حاولت استخدام ميزة المسح المتوالي لمشغل أقراص DVD.

### ملاحظات

- اضبط ميزة المسح المتوالي على «On» (تشغيل) في قائمة الإعداد للحصول على الإشارة المتوالية، انظر صفحة ١٨.
- اضبط ميزة المسح المتوالي على «Off» (إيقاف تشغيل) وذلك بإزالة أي قرص من الوحدة وغلق علبة القرص حتى ترى الرسالة «no disc» (لا يوجد قرص) على إطار العرض. ثم اضغط على زر STOP (إيقاف) مع الاستمرار لمدة خمس ثواني قبل تحريره.
- لا تعمل ميزة المسح المتوالي مع وصلات الفيديو المتناظر (قابس VIDEO OUT (مخرج الفيديو) الأصفر).

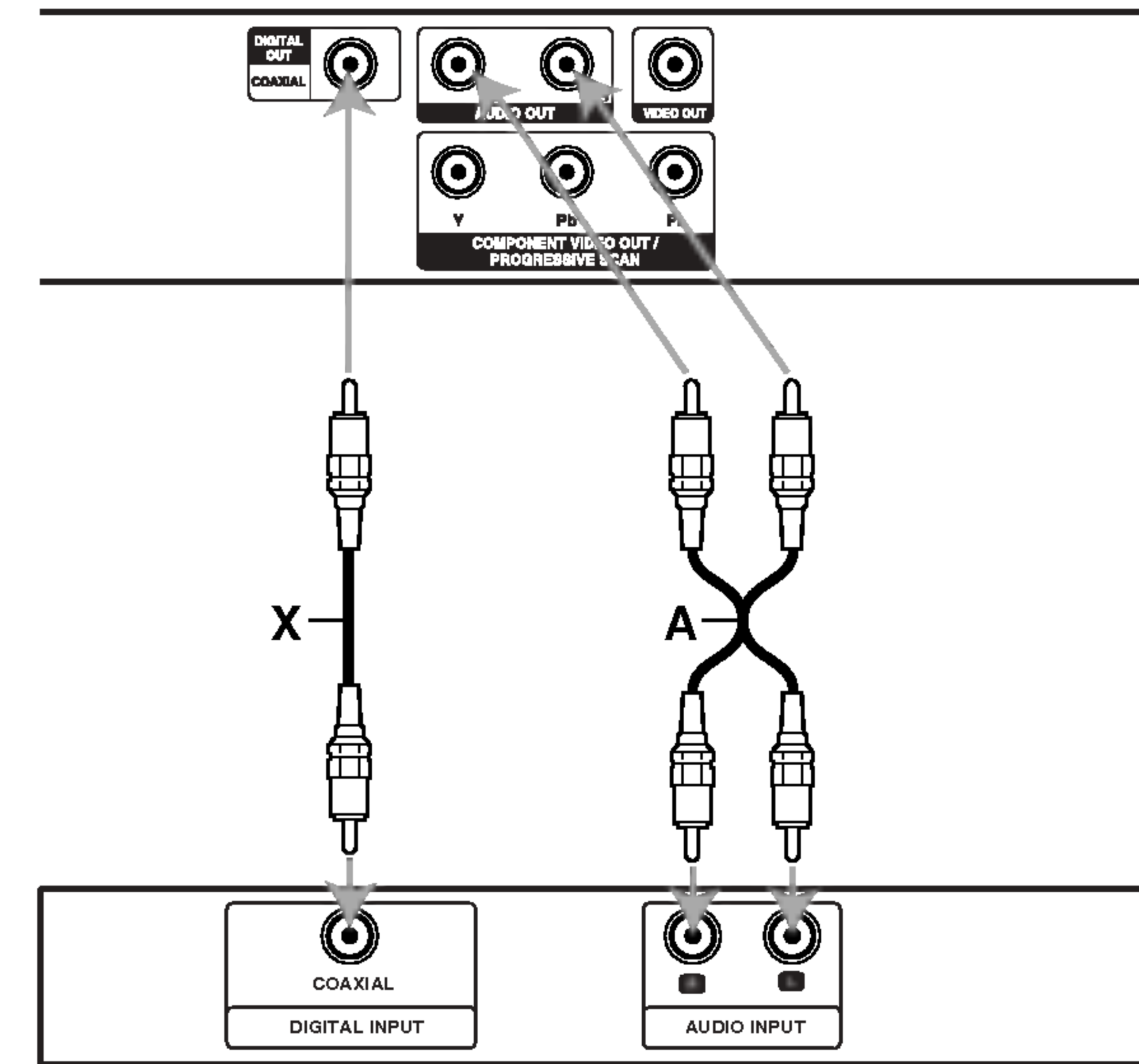


## إعداد المشغل (يتبع)

### وصلة الصوت بجهاز اختياري

صل مشغل DVD بالجهاز الاختياري لإخراج الصوت.

مؤخرة مشغل أقراص DVD



مضخم صوت (مستقبل)

مضخم صوت مزود باستريو تناظري ٢-قناة أو

**Dolby Pro Logic II / Pro Logic**: صل قياسي AUDIO OUT (مخرج الصوت) الأيسر والأيمن في مشغل أقراص DVD بقائسي مدخل الصوت الأيسر/الأيمن في مضخم الصوت، أو المستقبل، أو نظام الاستريو، باستخدام كابلات الصوت (A).

مضخم صوت مزود باستريو رقمي ٢-قناة (PCM) أو جهاز استقبال فيديو/صوت مزود بوحدة فك شفرات متعددة القنوات (**Dolby Digital™**، أو **MPEG 2**، أو **DTS**): صل قياسي DIGITAL AUDIO OUT (مخرج الصوت الرقمي) (COAXIAL X) (متحد المحور) بقابس الإدخال المتوافق في مضخم الصوت. استخدم كابل صوت رقمي (COAXIAL X) (متحد المحور) اختياري.

### الصوت الرقمي متعدد القنوات

تعطي وصلة القنوات المتعددة الرقمية أفضل جودة صوت. ولهذا ستحتاج إلى مستقبل صوت/فيديو متعدد القنوات يدعم واحد أو أكثر من أشكال الصوت التي يدعمها مشغل DVD خاصتك مثل **MPEG 2**، ودولبي الرقمي و**DTS**. راجع دليل جهاز الاستقبال والشعارات الموجودة على الواجهة الأمامية لجهاز الاستقبال.

### ملاحظات

- إذا لم يتطابق تنسيق الإخراج الرقمي قدرات جهاز الاستقبال، فسيعطي جهاز الاستقبال صوت مشوه قوي أو لن يعطي صوتاً على الإطلاق.
- يمكن الحصول على صوت رقمي مجسم لستة قنوات عبر الوصلة الرقمية إذا كان جهاز الاستقبال مجهزاً بوحدة فك تشفير رقمية متعددة القنوات فقط.
- لرؤية تنسيق الصوت لقرص DVD الحالي على شاشة العرض، اضغط AUDIO (صوت).

## مميزات عامة

### العرض على الشاشة DVD VCD

تغيير بعض العناصر باستخدام القائمة.

١. اضغط DISPLAY (عرض) أثناء القراءة.

٢. اضغط ◀/▶ لاختيار عنصر.  
تمتيز العنصر المختار.

٣. اضغط ▲/▼ لتغيير الإعداد. كان إذا أيضاً قمية الرار الأزر استخدام يمكن ذلك مناسباً (مثل إدخال رقم العنوان).

رقم العنوان (المسار)، 02:04 0:30:21 بحث الوقت  
رقم الفصل (أقراص DVD فقط) 03:04

### الانتقال إلى CHAPTER/TRACK (فصل/مسار) آخر DVD VCD

إذا كان بالعنوان الموجود بالقرص أكثر من فصل أو إذا كان بالقرص أكثر من مسار، يمكن الانتقال إلى فصل/مسار آخر كما يلي:

اضغط SKIP (تخطي) ▶▶ أو ◀◀ لفترة وجيز أثناء القراءة لاختيار الفصل/المسار التالي أو للرجوع إلى بداية الفصل/المسار الحالي.  
اضغط SKIP ◀◀ (تخطي) مرتين لفترة وجيزة للرجوع إلى الفصل/المسار السابق.

### العرض البطيء DVD VCD

١. اضغط على PAUSE/STEP (إيقاف تشغيل مؤقت/خطوة) (II) أثناء .  
سيعمل مشغل في وضع PAUSE (إيقاف تشغيل مؤقت).

٢. اضغط SCAN (مسح) ▶▶ لاختيار السرعة المطلوبة: ١/١٦، ١/٨، ١/٤، أو ١/٢ (للأمام).

٣. للخروج من وضع العرض البطيء، اضغط PLAY (تشغيل).

### قائمة Title (عنوان) DVD

فحص محتويات أقراص DVD: القوائم

قد توفر أقراص DVD القوائم التي تسمح لك باستخدام بعض الميزات الخاصة. لاستخدام قائمة القرص، اضغط TITLE.  
أدخل الرقم المناسب أو استخدم أزرار ◀ ▶ ▲ ▼ لتمييز اختيارك. ثم اضغط ENTER.

### قائمة القرص DVD

اضغط على DVD MENU (قائمة DVD) وسيتم عرض قائمة القرص.  
اضغط على DVD MENU (قائمة DVD) مرة أخرى للخروج.

### تغيير اللغة المسموعة DVD

اضغط AUDIO (صوت) بصفة متكررة أثناء القراءة لسماع لغة صوتية مختلفة أو مسار صوتي.

### بحث DVD VCD

١. اضغط SCAN (▶▶ أو ◀◀) أثناء القراءة.

٢. اضغط SCAN (▶▶ أو ◀◀) بصفة متكررة لاختيار السرعة المطلوبة.  
أقراص DVD: ٢X، ٤X، ١٦X، أو ٣٢X  
قرص فيديو: ٢X، ٤X، أو ٨X

٣. للخروج من وضع SEARCH (بحث)، اضغط PLAY (تشغيل).

### القراءة في وضع الصورة الثابتة وإطار بإطار

### DVD VCD

اضغط على PAUSE/STEP (إيقاف تشغيل مؤقت/خطوة) على وحدة التحكم عن بعد أثناء القراءة. قم بتقديم الصورة إطار بإطار بالضغط على PAUSE/STEP (إيقاف تشغيل مؤقت/خطوة) بصفة متكررة.  
اضغط PLAY للخروج من وضع الصور الثابتة.

## مميزات عامة (يتبع)

### بحث مؤشر مرجعي DVD VCD

#### لإدخال مؤشر مرجعي

يمكن بدء القراءة من نقاط محفوظة بالذاكرة تصل حتى تسع نقاط. لإدخال مؤشر مرجعي، اضغط MARKER (مؤشر مرجعي) في النقطة المرادة على القرص. ستظهر أيقونة المؤشر المرجعي على شاشة التلفاز لفترة وجيزة. كرر هذا الإجراء لإدخال حتى تسع مؤشرات مرجعية.

#### لاسترجاع مشهد معلم أو مسحه

١. أثناء قراءة القرص، اضغط SEARCH (بحث). تظهر قائمة بحث مؤشر مرجعي على الشاشة.

٢. في غضون ١٠ ثوان، اضغط ◀/▶ لاختيار رقم المؤشر المرجعي المراد استرجاعه أو مسحه.

٣. اضغط ENTER وستبدأ القراءة من المشهد المعلم. أو، اضغط CLEAR (مسح) وسيتم مسح رقم المؤشر المرجعي من القائمة.

٤. يمكنك تشغيل أي مؤشر مرجعي عن طريق إدخال رقمه في قائمة بحث مؤشر مرجعي.

### تكرار A-B DVD VCD

#### لتكرار تسلسل:

١. اضغط A-B عند نقطة البدء المختارة. تظهر «A» على شاشة التلفاز لفترة وجيزة.

٢. اضغط A-B عند نقطة الانتهاء المختارة. تظهر «A B» على شاشة التلفاز لفترة وجيزة ثم يبدأ تكرار التسلسل.

٣. اضغط A-B مرة أخرى للإلغاء.

### تكرار DVD VCD1.1

اضغط REPEAT (تكرار) أثناء القراءة لاختيار وضع التكرار المطلوب.

#### أقراص فيديو DVD

- Chapter (فصل): يكرر الفصل الحالي.
- TITLE (عنوان): يكرر العنوان الحالي.
- Off (إيقاف تشغيل): لا يعمل بصفة متكررة.

#### أقراص الفيديو

- Track (مسار): يكرر المسار الحالي.
- All (الكل): يكرر كل المسارات على القرص.
- Off (إيقاف تشغيل): لا يعمل بصفة متكررة.

#### ملاحظات:

- بالنسبة لقرص الفيديو ذي خاصية PBC (التحكم في القراءة)، يجب ضبط PBC على Off (إيقاف تشغيل) في قائمة الإعداد لاستخدام وظيفة التكرار (انظر «PBC» (التحكم في القراءة) (صفحة ٢٢)).
- في حالة الضغط على SKIP (▶▶) مرة واحدة أثناء القراءة في وضع (تكرار فصل) (فصل) مسار، يتم إلغاء القراءة في وضع التكرار.

### عشوائي VCD

١. اضغط على RANDOM (عشوائي) أثناء القراءة. ستبدأ الوحدة تلقائياً في القراءة العشوائية وسيتم عرض «RANDOM» على شاشة القائمة.
٢. للعودة إلى العرض العادي، اضغط RANDOM بشكل متكرر إلى أن تظهر كلمة NORMAL على شاشة القائمة.

#### تلميح

- بالضغط على SKIP (▶▶) أثناء القراءة العشوائية، ستختار الوحدة عنواناً آخر (مساراً) وتستأنف القراءة العشوائية.
- بالنسبة لأقراص الفيديو ذات خاصية PBC (التحكم في القراءة)، يجب ضبط PBC على Off (إيقاف تشغيل) في قائمة الإعداد لاستخدام وظيفة التكرار (انظر «PBC» (التحكم في القراءة) (صفحة ٢٢)).

## مميزات عامة (يتبع)

### Zoom (تكبير/تصغير) DVD VCD

استخدم خاصية ZOOM (تكبير/تصغير) لتكبير صورة الفيديو.

١. اضغط ZOOM أثناء العرض لتنشيط وظيفة التكبير.

٢. كل ضغطة على زر ZOOM تتغير الشاشة بالترتيب التالي:  
حجم ٢٠٠٪ ← حجم ٣٠٠٪ ← حجم ٤٠٠٪ ← Normal (٤ خطوات).

٣. استخدم الأزرار ▲ ▼ ◀ ▶ للتنقل عبر الصورة المكبرة/المصغرة.

٤. لاستئناف القراءة العادية، اضغط على زر CLEAR (مسح).

### ملاحظة

قد لا تعمل وظيفة ZOOM (تكبير/تصغير) مع بعض أقراص DVD.

### زاوية الكاميرا DVD

إذا كان القرص يحتوي على مشاهد تم تسجيلها من زوايا مختلفة، يمكنك التغيير إلى زاوية كاميرا مختلفة أثناء القراءة.  
اضغط ANGLE (زاوية) أثناء القراءة لاختيار الزاوية المطلوبة. لاحظ أن رقم الزاوية الحالية يظهر على شاشة العرض.

### لغات ترجمة الأفلام DVD

اضغط SUBTITLE (لغة ترجمة الأفلام) بصفة متكررة أثناء القراءة لمعرفة لغات ترجمة الأفلام المختلفة.

### VCD تغيير القناة الصوتية

اضغط AUDIO (صوت) بصورة متكررة أثناء القراءة لسماع قناة صوتية مختلفة Stereo (ستيريو)، أو LEFT (يسار)، أو RIGHT (يمين).

### DVD CD VCD ذاكرة آخر مشهد

يحتفظ هذا المشغل بأخر مشهد من آخر قرص تم عرضه. ويظل آخر مشهد في الذاكرة حتى وإن نزع القرص من المشغل أو قمت بإيقاف تشغيل القارئ. إذا قمت بتحميل قرص به مشهد محفوظ بالذاكرة، فسيتم استدعاء المشهد تلقائياً.

### ملاحظة

لا يحتفظ هذا المشغل بالمشهد في الذاكرة إذا قمت بإيقاف تشغيله قبل بدء قراءة القرص.

### شاشة التوقف

تظهر شاشة التوقف عند ترك مشغل أقراص DVD في وضع التوقف لمدة خمس دقائق. إذا تم عرض شاشة التوقف لمدة خمس دقائق، فسيوقف مشغل DVD.

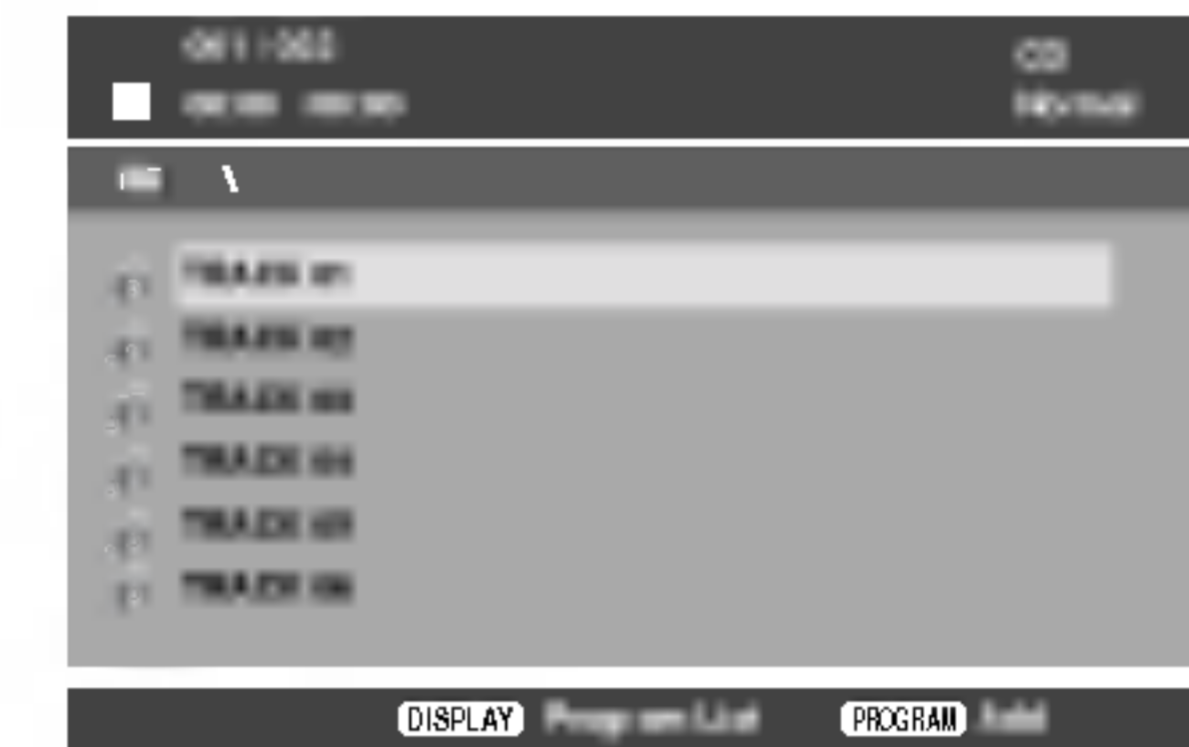
### اختيار النظام

يجب اختيار وضع النظام المناسب لنظام التلفزيون.  
إذا ظهرت الرسالة NO DISC (لا يوجد قرص) في إطار العرض، اضغط مع الاستمرار على PAUSE/STEP (إيقاف تشغيل مؤقت/خطوة) لمدة تزيد عن خمس ثوان حتى يتسنى لك اختيار نظام (PAL، أو NTSC، أو AUTO) تلقائياً.

## تشغيل الأقراص الصوتية أو أقراص MP3/WMA

### قرص صوتي

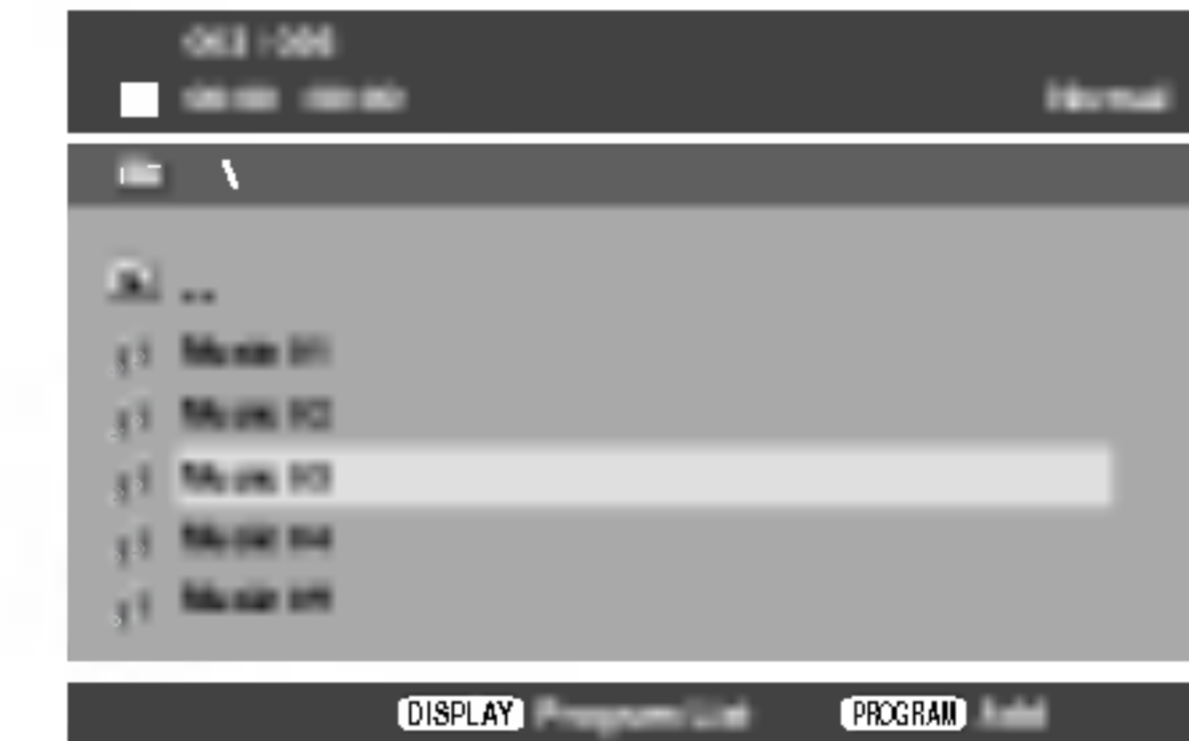
بمجرد إدخال قرص صوتي، تظهر قائمة على شاشة التلفاز. اضغط ▲/▼ لاختيار مسار، ثم اضغط PLAY (تشغيل) أو ENTER ستبدأ القراءة.



### MP3/WMA

١. اضغط ▲/▼ لاختيار مجلد، ثم اضغط PLAY (تشغيل) أو ENTER لرؤية محتويات المجلد.

٢. اضغط ▲/▼ لاختيار مسار، ثم اضغط PLAY (تشغيل) أو ENTER. تبدأ القراءة.



### تلميح

- إذا كنت في لائحة الملفات على قائمة MUSIC وأردت الرجوع إلى قائمة Folder (مجلد)، استخدم ▲/▼ لتمييز [F] ثم اضغط على PLAY (تشغيل) أو ENTER.
- اضغط DVD MENU (قائمة DVD) للانتقال إلى الصفحة التالية. اضغط TITLE للانتقال إلى الصفحة السابقة.
- على أي قرص مدمج يحتوي ملفات MP3/WMA و JPEG، يمكنك التحويل بين MP3/WMA و JPEG.
- اضغط ▲/▼ لاختيار أحد المجلدات، ثم اضغط ENTER لعرض محتويات المجلد.

توافق قرص MP3/WMA مع هذا المشغل محدود كما يلي:

- عينة التردد: في نطاق ٨-٤٨ كيلوهرتز (MP3)، في نطاق ٣٢-٤٨ كيلوهرتز (WMA)
- معدل البت: في نطاق ٨-٣٢ كيلو بايت/ثانية (MP3)، في نطاق ٣٢-١٩٢ كيلو بت/ثانية (WMA)
- لا يمكن لمشغل DVD قراءة ملفات MP3/WMA بامتداد مختلف عن «.mp3»/«.wma».
- يجب أن يكون التنسيق الشكلي لأقراص CD-R هو ISO 9660
- إذا قمت بتسجيل ملفات MP3/WMA باستخدام برنامج لا يستطيع إنشاء نظام ملفات (على سبيل المثال Direct-CD)، فمن المستحيل قراءة ملفات MP3/WMA. وبالتالي نوصي باستخدام برنامج Easy-CD Creator، الذي ينشأ نظام ملفات متوافق مع ISO 9660.
- يجب ألا تزيد أسماء الملفات عن ٨ أحرف كحد أقصى ويجب أن تحتوى على امتداد .mp3 أو .wma.
- يجب ألا تحتوى الملفات على أحرف خاصة مثل <> : \* ? / \ الخ.
- يجب ألا يتجاوز عدد الملفات الكلي على القرص ٦٤٨ ملفاً.

يتطلب مشغل أقراص DVD أقراصاً وتسجيلات لاستيفاء مقاييس فنية معينة لتحقيق أفضل جودة للقراءة. ويتم ضبط أقراص DVD المسجلة مسبقاً على هذه المقاييس. وهناك أنواع عديدة ومختلفة من تنسيقات الأقراص القابلة للتسجيل (بما في ذلك CD-R تحتوى على ملفات MP3 أو WMA) وتتطلب هذه التنسيقات ظروف موجودة مسبقاً (انظر أعلاه) لضمان قراءة متوافقة.

ويجب على العملاء أن يلاحظوا أيضاً أن الترخيص مطلوب لتحميل ملفات MP3/WMA والموسيقى من الإنترنت. ولا نمتلك شركتنا أية حقوق لمنح مثل هذا الترخيص. ويجب الحصول على الترخيص دائماً من مالك حقوق الطبع والنشر.



## تشغيل الأقراص الصوتية أو أقراص MP3/WMA (يتبع)

تكرار مسار/الكل/عادي **CD** **MP3** **WMA**

يمكنك تشغيل مسار/الكل على أحد الأقراص.

1. اضغط REPEAT (تكرار) عند تشغيل أحد الأقراص. تظهر أيقونة التكرار.
2. اضغط REPEAT (تكرار) لاختيار وضع التكرار المطلوب.
  - Track (مسار): يكرر المسار الحالي.
  - All (الكل): يكرر كل المسارات على القرص.
  - Normal: لا يعمل بصفة متكررة.

### ملاحظة

في حالة الضغط على SKIP (▶▶) مرة واحدة أثناء القراءة في وضع تكرار مسار، يتم إلغاء القراءة في وضع التكرار.

تكرار A-B **CD** **MP3** **WMA**

1. لتكرار تسلسل أثناء قراءة القرص، اضغط A-B عند نقطة البدء المختارة. تظهر أيقونة التكرار و «A» على شاشة القائمة.
2. اضغط A-B مرة أخرى عند نقطة الانتهاء المختارة. تظهر أيقونة التكرار و «A-B» على شاشة القائمة، ويبدأ التسلسل في التشغيل بصورة متكررة.
3. لإنهاء التسلسل والرجوع إلى القراءة العادية، اضغط A-B مرة ثانية.

بحث **CD** **MP3** **WMA**

1. اضغط SCAN (▶▶ أو ◀◀) أثناء القراءة.
2. اضغط SCAN (▶▶ أو ◀◀) بصفة متكررة لاختيار السرعة المطلوبة. 2X، 4X، 8X للخلف أو للأمام.
3. للخروج من وضع SEARCH (بحث)، اضغط PLAY (تشغيل).

## مميزات الأقراص الصوتية وأقراص MP3 / WMA

إيقاف مؤقت **CD** **MP3** **WMA**

1. اضغط PAUSE/SETUP (إيقاف تشغيل مؤقت/خطوة) أثناء القراءة.
2. للرجوع إلى القراءة، اضغط PLAY (تشغيل) أو ENTER، أو اضغط PAUSE/SETUP (إيقاف تشغيل مؤقت/خطوة) مرة ثانية.

الانتقال إلى مسار آخر **CD** **MP3** **WMA**

1. اضغط SKIP (تخطي) (> أو .) لفترة وجيزة أثناء القراءة للانتقال إلى المسار التالي أو للرجوع إلى بداية المسار الحالي.
2. اضغط SKIP (تخطي) . مرتين لفترة وجيزة للرجوع إلى المسار السابق.
3. يمكنك تشغيل أي مسار عن طريق إدخال رقمه.

عشوائي **CD** **MP3** **WMA**

1. اضغط على RANDOM (عشوائي) أثناء القراءة. ستبدأ الوحدة تلقائياً في القراءة العشوائية وسيتم عرض «RANDOM» على شاشة القائمة.
2. للعودة إلى العرض العادي، اضغط RANDOM بشكل متكرر إلى أن تظهر كلمة Normal على شاشة القائمة.

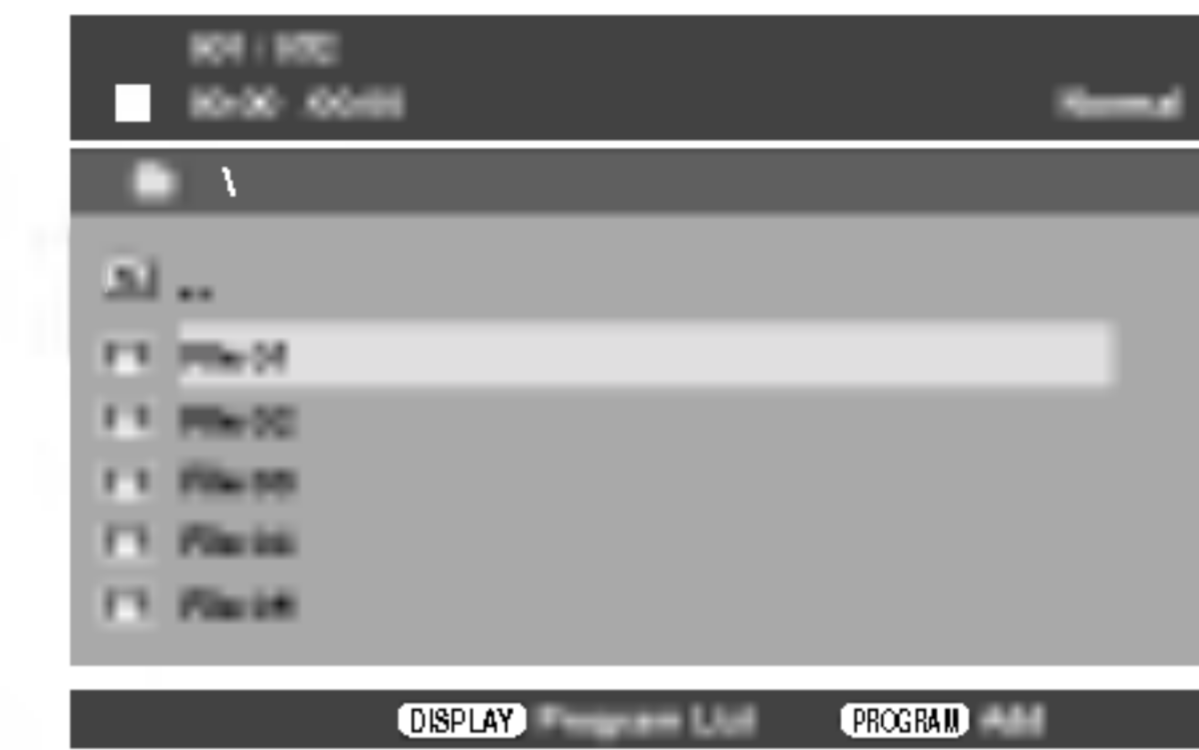
### تلميح

بالضغط على SKIP ▶▶ أثناء القراءة العشوائية، ستختار الوحدة مساراً آخر وتستأنف القراءة العشوائية.

## عرض قرص JPEG

يمكن عرض الأقراص التي تحتوي على ملفات JPEG مع هذا المستقبل.

- أدخل قرصاً وأغلق العلبة.
- تظهر قائمة PHOTO (صور) على شاشة التلفاز.



- اضغط ▲/▼ لاختيار أحد المجلدات، ثم اضغط ENTER أو PLAY. قائمة بالملفات الموجودة بالمجلد. إن كنت داخل قائمة ملفات وأردت العودة إلى قائمة المجلد السابقة، استخدم الزرين ▲/▼ بجهاز التحكم عن بعد لتظليل. ثم اضغط ENTER أو PLAY.
- إن كنت تريد عرض ملف بعينه، اضغط ▲/▼ لتمييز الملف ثم اضغط ENTER أو PLAY. تبدأ مشاهدة الملف وهو يبدأ. أثناء عرض الصورة، يمكنك الضغط على STOP أو DVD MENU للانتقال إلى القائمة السابقة (قائمة PHOTO).

### تلميح

- اضغط DVD MENU للانتقال إلى الصفحة التالية.
- اضغط TITLE للانتقال إلى الصفحة السابقة.
- يمكنك التبديل بين MP3/WMA و JPEG على القرص الذي يحتوي على MP3/WMA و JPEG. اضغط ▲/▼ لاختيار أحد المجلدات، ثم اضغط ENTER لعرض محتويات المجلد.

### الانتقال إلى ملف آخر JPEG

اضغط SKIP (▶▶ أو ◀◀) مرة واحدة أثناء عرض الصورة للانتقال إلى الصورة التالية أو السابقة.

### لتدوير الصورة

اضغط ◀/▶ أثناء عرض الصورة لتدوير الصورة في اتجاه عقارب الساعة أو عكس اتجاه عقارب الساعة.

### صورة ثابتة JPEG

- اضغط على PAUSE/STEP (إيقاف تشغيل مؤقت/خطوة) أثناء عرض الشرائح. سيعمل المشغل الآن في وضع PAUSE (إيقاف تشغيل مؤقت).
- للرجوع إلى عرض الشرائح، اضغط ENTER, PLAY أو اضغط PAUSE/STEP (إيقاف تشغيل مؤقت/خطوة) مرة ثانية.

### Zoom (تكبير/تصغير) JPEG

- استخدم خاصية Zoom (تكبير/تصغير) لتكبير الصورة.
- اضغط ZOOM (تكبير/تصغير) أثناء العرض لتنشيط وظيفة التكبير.
- كل ضغطة على زر ZOOM (تكبير/تصغير) تغير الشاشة بالترتيب التالي: 100% ← 150% ← 200% ← 100%.
- استخدم الأزرار ▲▼▶◀ للتنقل عبر الصورة المكبرة أو المصغرة.
- لاستئناف القراءة العادية، اضغط CLEAR (مسح) أو اضغط ZOOM (تكبير/تصغير) بصورة متكررة لاختيار 100%.

### توافق قرص JPEG مع هذا المشغل محدود كما يلي:

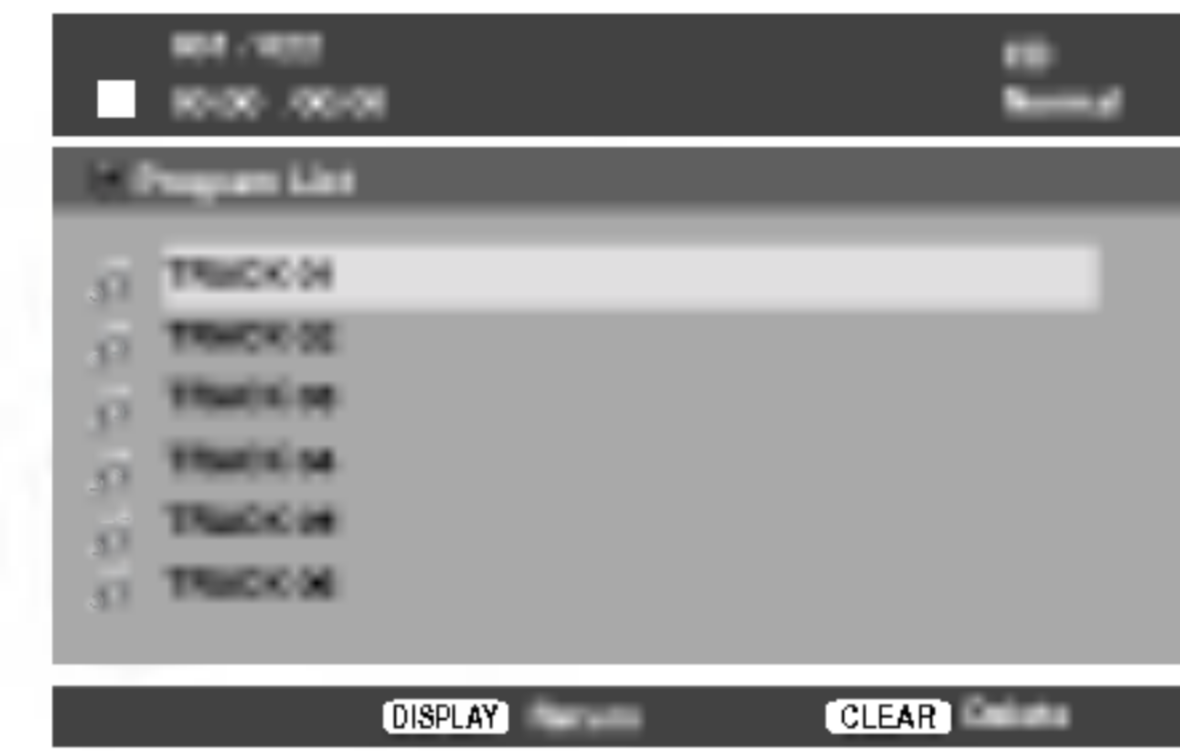
- وفقاً لحجم ملفات JPEG وعددها، يمكن أن يستغرق مشغل DVD وقتاً طويلاً لقراءة محتويات القرص. وإذا لم تر عرضاً على الشاشة لدقائق عدة، فمن الممكن أن تكون بعض الملفات طويلة جداً - قم بتقليل دقة ملفات JPEG إلى أقل من ٢ م بكسل على أن تكون ٢٧٦٠ x ٢٠٤٨ بكسل وقم بحرق قرص آخر.
- يجب ألا يتجاوز إجمالي عدد الملفات والمجلدات على القرص ٦٤٨ ملفاً.
- تأكد أن كافة الملفات المختارة لها امتداد «.jpg». عند نسخها إلى تخطيط القرص.
- وإذا كان امتداد الملفات هو «.jpe» أو «.jpeg»، فأعد تسميتها إلى امتداد الملف «.jpg».
- لن يتمكن مشغل DVD من قراءة أسماء الملفات التي لها امتداد مختلف عن الامتداد «.jpg». ورغم ذلك يتم عرض الملفات على أنها ملفات صور JPEG في مستكشف Windows.

## القراءة المبرمجة CD MP3 WMA

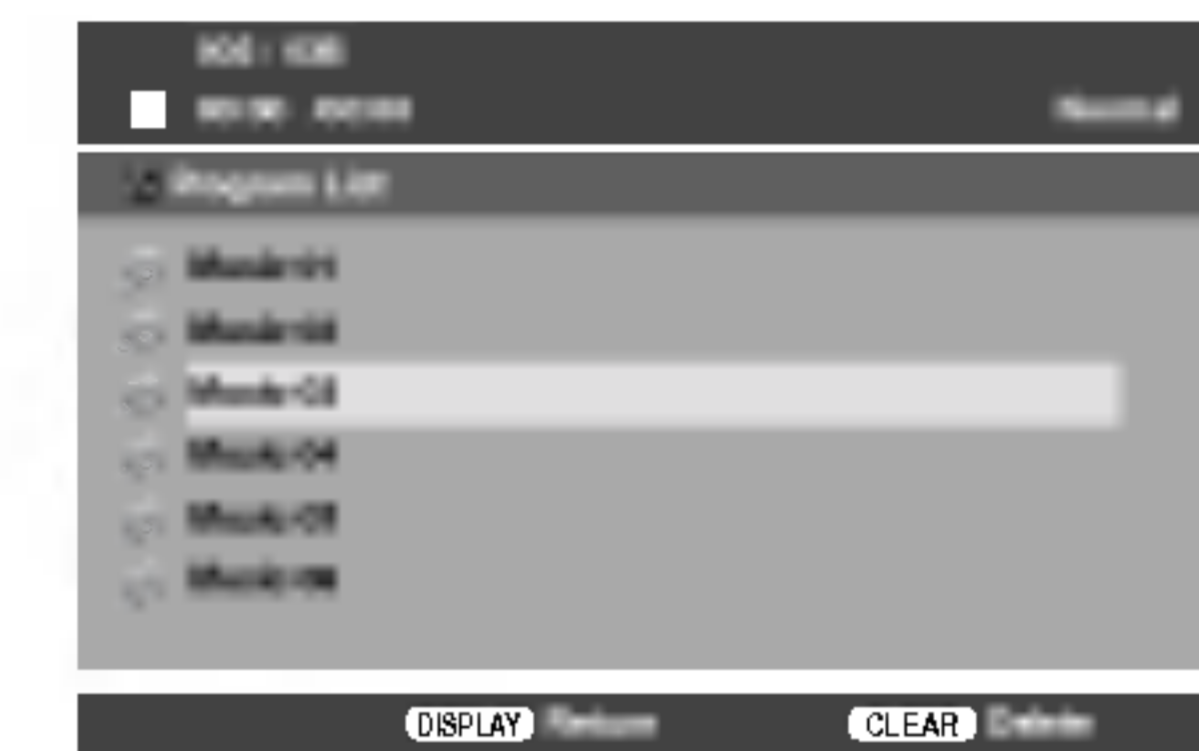
تسمح وظيفة البرنامج بتخزين المسارات المفضلة من أي قرص في ذاكرة المشغل. يمكن أن يحتوي البرنامج على ٣٠ مساراً (MP3/WMA, Audio CD).

- مسح مسار من قائمة البرنامج**
1. استخدم الأزرار ▲/▼ لاختيار المسار المراد مسحه من لائحة البرنامج.
  2. اضغط CLEAR (مسح). كرر الخطوة ٢ لمسح مسارات إضافية من لائحة البرامج.
- لمزيد من التفاصيل بخصوص أي وضع تشغيل، من فضلك راجع الصفحة ذات الصلة.**

1. أدخل قرصاً (MP3 أو WMA, Audio CD).
2. اضغط ▲/▼ لاختيار الملف المطلوب.
3. اضغط PROGRAM أثناء العرض أو في وضع التوقف. كرر ثم اضغط PROGRAM لإدراج مسارات أخرى على قائمة البرنامج.
4. اضغط DISPLAY ستظهر قائمة Program List. اضغط ▲/▼ لاختيار المسار الذي تريد بدء تشغيله. اضغط DVD MENU للانتقال إلى الصفحة التالية. اضغط TITLE للانتقال إلى الصفحة السابقة.



قائمة الأقراص الصوتية



قائمة MP3/WMA

5. اضغط PLAY (تشغيل) أو ENTER لبدء التشغيل.
6. لاستئناف القراءة العادية من القراءة المبرمجة. اضغط DISPLAY ثم اختر مساراً من القائمة من PLAY أو ENTER.

## الإعدادات الأولية

باستخدام قائمة الإعداد، يمكنك إجراء العديد من التعديلات للعناصر مثل الصورة والصوت. يمكنك أيضاً ضبط لغة لترجمة الأفلام وقائمة الإعداد، بين الأشياء الأخرى. لمزيد من التفاصيل حول كل عنصر من قائمة الإعداد، انظر صفحات ١٧ إلى ٢٢.

### لعرض القائمة والخروج منها:

اضغط SETUP (إعداد) لعرض القائمة. سيؤدي الضغط لمدة ثانية على SETUP (إعداد) إلى العودة إلى الشاشة الأولية.

### للانتقال إلى المستوى التالي:

اضغط على ► على وحدة التحكم عن بعد.

### للرجوع إلى المستوى السابق:

اضغط على ◀ على وحدة التحكم عن بعد.

## التشغيل العام

١. اضغط SETUP (إعداد). تظهر قائمة الإعداد.

٢. استخدم ◀/▶ لتحديد الخيار المطلوب، ثم اضغط على ▼ أو ENTER للانتقال إلى المستوى الثاني. ستظهر الشاشة الإعداد الحالي للعنصر المختار، والإعداد (الإعدادات) البديلة.

٣. استخدم ▲/▼ لتحديد الخيار المطلوب التالي، ثم اضغط على ► للانتقال إلى المستوى الثالث.

٤. استخدم ▲/▼ لتحديد الإعداد المطلوب، ثم اضغط ENTER لتأكيد الاختيار. تتطلب بعض العناصر خطوات إضافية.

٥. اضغط SETUP (إعداد)، RETURN (رجوع) أو PLAY (تشغيل) للخروج من قائمة الإعداد.

## اللغة



### لغة القائمة

اختر لغة لقائمة الإعداد والعرض على الشاشة.

### قائمة القرص/لغة ترجمة الأفلام/صوت القرص DVD

اختر اللغة التي تفضلها لمسار الصوت (صوت القرص)، وترجمة الأفلام، وقائمة القرص.

اللغة الأصلية: تشير إلى اللغة الأصلية التي تم تسجيل القرص بها.

لغات أخرى: لاختيار لغة أخرى، اضغط الأزرار الرقمية ثم ENTER لإدخال رقم مطابق مكون من ٤ أرقام وفقاً لقائمة رموز اللغات في الفصل المرجعي. في حالة إدخال رمز لغة خطأ، اضغط CLEAR (مسح).

## الإعدادات الأولية (يتبع)

### العرض



### بعد التلفاز DVD

3:4 اختر هذا الوضع عندما يكون بعد جهاز التلفاز الموصل هو 3:4 القياسي.

9:16 اختر هذا الوضع عندما يكون بعد جهاز التلفاز الموصل هو 9:16 wide.

### وضع العرض DVD

يعمل إعداد وضع العرض فقط عندما يكون وضع بعد التلفاز مضبوطاً على «3:4».

**Letterbox:** يعرض صورة عريضة مع أشرطة في الأجزاء العلوية والسفلية من الشاشة.

**Panscan:** يعرض صورة عريضة على الشاشة بأكملها تلقائياً ويقطع الأجزاء التي لا تتناسب مع عرض الشاشة.

### مسح متوالي

يعطي فيديو المسح المتوالي أعلى جودة للصور مع قلة الوميض. إذا كنت تستخدم قوابس الفيديو المركب للتوصيل بالتلفاز أو شاشة العرض المتوافقين مع إشارة المسح المتوالي، فاضبط ميزة المسح المتوالي على On (تشغيل). اضغط ENTER، وستظهر شاشة كلمة المرور.

### تحذير

إذا لم يتقبل جهاز التلفاز لديك تنسيق Progressive Scan (مسح متوالي)، فستظهر الصورة مهزوزة إذا جربت المسح المتوالي على مشغل DVD. وفي حالة ضبط ميزة Progressive Scan (المسح المتوالي) على On (تشغيل) بطريقة خطأ، يجب إعادة تشغيل الوحدة.

١) اضغط ▶. اختر «Off» (إيقاف تشغيل) باستخدام زري ▲/▼.

٢) اضغط على زر STOP (إيقاف) مع الاستمرار لمدة خمس ثوان قبل تحريره. سيتم استعادة إخراج الفيديو إلى الإعداد القياسي، وسيتم عرض الصورة مرة أخرى على التلفاز التناظري التقليدي أو على شاشة العرض.

## الإعدادات الأولية (يتبع)

### الصوت

يوجد مجموعة من خيارات الإخراج الصوتي بكل قرص DVD. اضبط خيارات AUDIO (الصوت) للمشغل وفقاً لنوع النظام الصوتي الذي تستخدمه.



### DVD MPEG / DTS / دولبي الرقمي

**Bitstream** (تدفق البت): اختر « Bitstream » (تدفق البت) إذا كان قابس DIGITAL OUT (مخرج الصوت الرقمي) لمشغل DVD موصلاً بمضخم صوت أو أي جهاز آخر مزود بوحدة فك تشفير دولبي الرقمي، أو DTS أو MPEG

**PCM** (لدولبي الرقمي/MPEG): اختر عند الاتصال بمضخم صوت استريو رقمي ذي ٢ قناة. سيتم دمج أقراص DVD المشفرة باستخدام دولبي الرقمي أو MPEG إلى صوت PCM ٢ قناة.

**Off** (إيقاف تشغيل) (DTS): إذا اخترت « Off » (إيقاف تشغيل)، فإن إشارة DTS لن تكون إخراجاً من خلال قابس DIGITAL OUT (مخرج الصوت الرقمي).

### DVD عينة التردد (التردد)

إذا كان جهاز الاستقبال أو مضخم الصوت غير قادر على معالجة إشارات ٩٦ كيلوهرتز، اختر ٤٨ كيلوهرتز. عند تحديد هذا الاختيار، ستحول الوحدة كل إشارات ٩٦ كيلو هرتز إلى ٤٨ كيلو هرتز حتى يتسنى للنظام فك تشفيرها.

إذا كان جهاز الاستقبال أو مضخم الصوت قادراً على معالجة إشارات ٩٦ كيلوهرتز، اختر ٩٦ كيلوهرتز. عند تحديد هذا الاختيار، سيمرر الجهاز كل أنواع الإشارات دون أية معالجة إضافية.

راجع التوثيق الخاص بمضخم الصوت للتحقق من قدراته.

### DRC (التحكم في المدى الديناميكي)

بتنسيق DVD يمكنك الاستماع إلى المسارات الصوتية المبرمجة بأفضل تقديم ممكن لصوت واقعي ودقيق، وهذا بفضل استخدام تكنولوجيا الصوت الرقمي. غير أنه في بعض الأحيان، قد ترغب في ضغط المدى الديناميكي للإخراج الصوتي (الفرق بين أعلى أصوات وأهدأها). حتى يتسنى لك الاستماع إلى الفيلم بمستوى صوت أقل دون فقد نقاء الصوت. اضبط DRC على On (تشغيل) للحصول على هذا التأثير.

## الإعدادات الأولية (يتبع)

### التأمين (الرقابة الأبوية)

1. اختر Rating (تصنيف) في قائمة LOCK (تأمين) ثم اضغط ▶.
2. اختر تصنيفاً من ١ إلى ٨ باستعمال الأزرار ▲/▼ ثم اضغط ENTER. سيظهر إطار كلمة المرور.
3. إذا لم يتم إدخال كلمة المرور بعد:  
عندما يكون قسم الجزء الخاص بكلمة المرور الجديدة «New Password» مميزاً، أدخل كلمة مرور مكونة من ٤ أرقام باستعمال الأزرار الرقمية ثم اضغط ENTER. أدخل كلمة مرور التأمين المكونة من أربعة أرقام مرة أخرى للتأكيد عندما يكون الجزء الخاص بتأكيد كلمة المرور «Confirm Password» مميزاً. سيتم تمييز «OK».

- إن سبق وأدخلت كلمة المرور
- أدخل كلمة المرور المكونة من أربعة أرقام والتي أدخلتها سابقاً باستعمال الأزرار الرقمية. سيتم تمييز «OK».
4. اضغط ENTER لتأكيد اختيار رمز المنطقة، ثم اضغط SETUP للخروج من القائمة.

#### تلميح

- إذا أخطأت قبل الضغط على ENTER في أي قسم، اضغط CLEAR للإدخال مرة أخرى أو اضغط على ◀ مرارا لمسح أرقام كلمة المرور واحداً بعد الآخر وبعدها قم بتصحيحها.
- إذا أدخلت كلمة المرور الخاطئة، لن تستطيع المتابعة للخطوة التالية.



### DVD التصنيف

تحتوي بعض الأفلام على مشاهد غير مناسبة للأطفال. وبالتالي، قد تحتوي الأقراص على معلومات للرقابة الأبوية تسري على القرص بأكمله أو على بعض مشاهد منه. ويتم تصنيف هذه المشاهد من ١ إلى ٨ طبقاً للدولة. وهناك بعض المشاهد متاحة بصور أكبر على بعض الأقراص.

وتسمح ميزة الرقابة الأبوية من منع الوصول إلى المشاهد التي تأتي تحت مستوى التصنيف الذي قمت بإدخاله، وبهذا تمنع الأطفال من القدرة على عرض تلك المحتويات التي تعتقد أنها غير مناسبة لهم.

التصنيف من A-1: التصنيف الأول (١) يتضمن أشد القيود، بينما التصنيف الثامن (٨) هو أخفها.

**Unlock (إلغاء التأمين):** في حالة اختيار Unlock (إلغاء التأمين)، فلن تكون ميزة الرقابة الأبوية نشطة وبذلك يتم تشغيل القرص بالكامل.

#### ملاحظات

إذا قمت بضبط تصنيف للقارئ، فستتم قراءة كل مشاهد الفيلم ذات نفس التصنيف أو ذات التصنيف الأقل. ولن تتم قراءة المشاهد ذات التصنيف الأعلى إلا في حالة توفر مشهد بديل على القرص. ويجب أن يحتوي هذا المشهد البديل على نفس التصنيف أو تصنيف أقل. وفي حالة عدم العثور على بديل مناسب، فستتوقف القراءة. يجب إدخال كلمة المرور المكونة من ٤ أرقام أو تغيير مستوى التصنيف حتى تتنسى قراءة القرص.

## الإعدادات الأولية (يتبع)

### كلمة المرور (رمز التأمين)

يمكن إدخال كلمة مرور أو تغييرها.

1. اختر « Password » (كلمة مرور) في قائمة LOCK (تأمين) ثم اضغط ►. ظلل كلمة « Change ».
2. اضغط ENTER وسيظهر إطار كلمة المرور.
3. **لعمل كلمة مرور جديدة:**  
عندما يكون الجزء الخاص بكلمة المرور الجديدة « New Password » مميزاً، أدخل كلمة مرور مكونة من 4 أرقام باستعمال الأزرار الرقمية ثم اضغط ENTER. أدخل كلمة مرور التأمين المكونة من أربعة أرقام مرة أخرى للتأكيد عندما يكون الجزء الخاص بتأكيد كلمة المرور « Confirm Password » مميزاً. سيتم تظليل « OK ».

### لتغيير كلمة المرور:

- عندما يكون الجزء الخاص بكلمة المرور القديمة « Old Password » مظللاً، أدخل كلمة مرور مكونة من 4 أرقام والتي أنشأتها سابقاً ثم اضغط ENTER. سيصبح قسم كلمة المرور الجديدة « New Password » مميزاً. أدخل كلمة المرور الجديدة المكونة من أربعة أرقام باستعمال الأزرار الرقمية ثم اضغط ENTER. أدخل كلمة مرور الأمان المكونة من أربعة أرقام مرة أخرى للتأكيد عندما يكون الجزء الخاص بتأكيد كلمة المرور « Confirm Password » مميزاً. سيتم تمييز « OK ».

4. اضغط SETUP للخروج من القائمة.

### إذا نسيت رمز التأمين

إذا نسيت رمز الأمان تستطيع مسحه باستعمال الخطوات التالية:

1. أزل أي قرص من الوحدة وأغلق علبة القرص.  
سترى إن « nodISC » قد تم عرضها على إطار العرض.
2. اضغط SETUP وستظهر قائمة الإعداد على شاشة التلفزيون.  
استعمل الأزرار الرقمية لإدخال عدد من 6 أرقام « 210499 ».  
سترى أن « P-CLR » قد تم عرضها على إطار العرض.
3. أدخل كلمة مرور جديدة كما تم وصفه أعلاه.

### رمز المنطقة DVD

أدخل رمز المنطقة القياسي المستعمل لتقييم قرص الفيديو DVD ، وفقاً للقائمة الموجودة في فصل المرجع.

1. اختر « Area Code » على قائمة LOCK ثم اضغط ► .
2. اختر الحرف الأول باستخدام زري ▲/▼.
3. انقل المؤشر باستعمال زر ► واختر الرمز الثاني باستعمال الأزرار ▲/▼ ثم اضغط ENTER ، سيظهر إطار كلمة المرور.
4. اضغط ENTER ، سيظهر إطار كلمة المرور.
5. **إذا لم يتم إدخال كلمة المرور بعد:**  
عندما يكون الجزء الخاص بكلمة المرور الجديدة « New Password » مميزاً، أدخل كلمة مرور مكونة من 4 أرقام باستعمال الأزرار الرقمية ثم اضغط ENTER. أدخل كلمة مرور الأمان المكونة من أربعة أرقام مرة أخرى للتأكيد عندما يكون الجزء الخاص بتأكيد كلمة المرور « Confirm Password » مميزاً. سيتم تمييز « OK ».
6. **إن سبق وأدخلت كلمة المرور:**  
أدخل كلمة مرور من أربعة أرقام والتي أدخلتها سابقاً باستعمال الأزرار الرقمية. سيتم تمييز « OK ».
7. اضغط ENTER لتأكيد اختيار رمز المنطقة، ثم اضغط SETUP للخروج من القائمة.



## الإعدادات الأولية (يتبع)

### بنود أخرى

يمكن تغيير إعدادات PBC (التحكم في القراءة) و Auto Play (التشغيل التلقائي) B.L.E. (توسيع المستوى الأسود).



### PBC (التحكم في القراءة) VCD

اضبط التحكم في القراءة (PBC) على On (تشغيل) أو Off (إيقاف تشغيل).  
On (تشغيل): تتم قراءة أقراص الفيديو ذات خاصية PBC (التحكم في القراءة) طبقاً لهذه الخاصية.

Off (إيقاف تشغيل): تتم قراءة أقراص الفيديو ذات خاصية PBC التحكم في القراءة) بنفس الطريقة التي تتم بها قراءة الأقراص الصوتية.

#### ملاحظات

- PBC: التحكم في القراءة (أقراص الفيديو فقط)  
تتوفر خاصية التحكم في القراءة لتنسيقات أقراص الفيديو (VCD)، الإصدار ٢.٠. تتيح خاصية PBC التفاعل مع النظام من خلال القوائم ووظائف البحث أو أية عمليات مشابهة لعمليات تشغيل الكمبيوتر. وعلاوة على ذلك فإنه يمكن تشغيل الصور الثابتة ذات الدقة العالية إذا كانت متضمنة في هذا القرص. وتعمل أقراص الفيديو غير المزودة بخاصية PBC (الإصدار ١.١) بنفس طريقة الأقراص الصوتية.
- استخدم الأزرار الرقمية لاختيار المسار المطلوب عرضه ثم اضغط RETURN (رجوع) للرجوع إلى شاشة القائمة. قد تختلف إعدادات القائمة وإجراءات التشغيل. اتبع التعليمات الموجودة على كل شاشة قائمة. يمكن أيضاً ضبط PBC (التحكم في القراءة) على Off (إيقاف التشغيل).

### Auto Play (التشغيل التلقائي) DVD

يمكن إعداد المشغل بحيث يتم تشغيل قرص DVD تلقائياً في كل مرة يتم فيها إدخال قرص DVD في المشغل.

إذا تم ضبط وضع Auto Play (التشغيل التلقائي) على On (تشغيل)، فسيبحث المشغل عن العنوان الذي يحتوي على أطول وقت للقراءة وقراءته تلقائياً.

On (تشغيل): وظيفة Auto Play (التشغيل التلقائي) نشطة.

Off (إيقاف تشغيل): وظيفة Auto Play (التشغيل التلقائي) غير نشطة.

#### ملاحظات

قد لا تعمل وظيفة Auto Play (التشغيل التلقائي) مع بعض أقراص DVD.

### B.L.E. (توسيع المستوى الأسود)

لاختيار المستوى الأسود لقراءة الصور، اضبط التفضيلات الخاصة بك وكذلك قدرة الشاشة.

On (تشغيل): يوسع من مستوى تدرج الرمادي. (قطع IRE 0)

Off (إيقاف تشغيل): مستوى تدرج رمادي قياسي. (قطع IRE 7.5)

#### ملاحظة

تعمل وظيفة B.L.E. مع نظام NTSC فقط.

## معلومات إضافية

### حقوق النشر:

يحظر نسخ المواد المحمية بحقوق الطبع والنشر بموجب القانون أو إذاعتها أو عرضها أو إذاعتها بالراديو أو تشغيلها في مكان عام أو تأجيرها بدون ترخيص.

يبرز هذا الجهاز ميزة الحماية ضد النسخ التي تم تطويرها من قبل شركة Macrovision. وإشارات الحماية ضد النسخ مسجلة على بعض الأقراص. عند إجراء تسجيل صور هذا الأقراص و تشغيلها، ستظهر صورة مشوهة. يتضمن هذا المنتج تكنولوجيا حماية حقوق النشر والحماية ببعض حقوق براءات الاختراع الأمريكية المعينة وحقوق الملكية الفكرية الأخرى المملوكة لشركة Macrovision وحقوق الملاك الأخرى. يجب أن يكون استخدام تكنولوجيا حماية حقوق النشر مرخصاً من قبل شركة Macrovision، ومخصصة للاستخدام المنزلي واستخدامات العرض الأخرى المحدودة فقط، ما لم ترخص شركة Macrovision بخلاف ذلك. تحظر الهندسة العكسية أو تفكيك الجهاز.

يجب أن يلاحظ المستهلكين أنه ليست كل أجهزة التلفاز ذات الوضوح العالية متوافقة مع هذا المنتج ومن الممكن أن تتسبب في أعمال يتم عرضها في الصورة. وفي حالة ظهور مشاكل في صورة المسح المتوالي 525 أو 625، فينصح أن يقوم المستخدم بتبديل الوصلة لإخراج «الوضوح القياسية». إذا كانت هناك استفسارات فيما يتعلق بتوافق أجهزة التلفاز مع مشغل أقراص الفيديو طراز 525p و625p، يرجى الاتصال بمركز خدمة العملاء الخاص بنا.

### التحكم في أجهزة تلفاز أخرى باستخدام وحدة التحكم عن بعد

يمكنك التحكم في مستوى الصوت، ومصدر الإدخال، ومفتاح الطاقة لتلفاز LG باستخدام وحدة التحكم عن بعد المرفقة.

وكذلك يمكنك أيضاً التحكم في مستوى الصوت، ومصدر الإدخال، ومفتاح الطاقة لأجهزة التلفاز الأخرى. إذا كان نوع تلفازك مذكور في الجدول أدناه، فاضبط رمز المصنع المناسب.

١. أثناء الضغط مع الاستمرار على زر TV POWER (طاقة التلفاز)، اضغط الأزرار الرقمية لاختيار رمز مصنع التلفاز (انظر الجدول أدناه).

٢. حرر زر TV POWER (طاقة التلفاز).

### أرقام رموز أجهزة التلفاز القابلة للتحكم

في حالة وجود أكثر من رمز، حاول إدخالها واحد تلو الآخر حتى يتم العثور على الرمز الذي يطابق جهاز التلفاز الخاص بك.

المصنع	رقم الرمز
LG /GoldStar	١ (افتراضي)، ٢
Zenith	١، ٣، ٤
Samsung	٦، ٧
Sony	٨، ٩
Hitachi	٤

### ملاحظة

- ووفقاً لجهاز التلفاز، ربما لا تعمل بعض الأزرار أو كلها في جهاز التلفاز، حتى بعد إدخال رمز المصنع الصحيح.
- في حالة إدخال رقم رمز جديد، سيتم مسح رقم الرمز الذي تم إدخاله مسبقاً.
- عند استبدال بطاريات وحدة التحكم عن بعد، قد يتم إعادة ضبط رقم الرمز الذي تم ضبطه لجهاز التلفاز على الضبط الافتراضي. اضبط رقم الرمز المناسب مرة أخرى.

## اكتشاف الأعطال وإصلاحها

المشكلة	السبب المحتمل	الحل
لا توجد طاقة.	• سلك الطاقة مفصول.	• صل سلك الطاقة بإحكام في مأخذ التيار بالحائط.
الطاقة موصلة، ولكن مشغل DVD لا يعمل.	• لم يتم إدخال قرص.	• أدخل قرصاً (تأكد أن مؤشر DVD أو مؤشر القرص الصوتي في إطار العرض مضىء)
لا توجد صورة.	• TV غير مضبوطة لاستقبال إخراج إشارة DVD.	• اختر وضع إدخال الفيديو المناسب على التلفاز.
	• كابل الفيديو غير موصل بإحكام.	• صل كابل الفيديو بإحكام.
لا يوجد صوت.	• الجهاز الموصل بكابل الصوت غير مضبوط لاستقبال إخراج إشارة DVD.	• اختر وضع الإدخال الصحيح للمستقبل الصوتي حتى يتسنى لك الاستماع إلى الصوت من مشغل DVD.
	• طاقة الجهاز الموصل بكابل الصوت مغلقة.	• قم بتشغيل الجهاز الموصل بكابل الصوت.
	• خيارات AUDIO (صوت) مضبوطة على الوضع الخطأ.	• اضبط Digital Audio Output (إخراج الصوت الرقمي) على الوضع الصحيح، ثم قم بتشغيل مشغل DVD مرة أخرى بالضغط على POWER (زر الطاقة).
مشغل DVD لا يبدأ القراءة.	• تم إدخال قرص غير قابل للقراءة.	• أدخل قرصاً قابلاً للقراءة (تأكد من نوع القرص ونظام الألوان والرمز الإقليمي).
	• مستوى التصنيف مضبوط.	• قم بإلغاء خاصية مستوى التصنيف أو غير مستوى التصنيف.
لا يعمل التحكم عن بعد بشكل سليم.	• وحدة التحكم عن بعد غير موجهة إلى المستشعر عن بعد على مشغل DVD.	• وجه وحدة التحكم عن بعد نحو المستشعر عن بعد في مشغل DVD.
	• جهاز التحكم عن بعد بعيد جداً عن مشغل DVD.	• شغل وحدة التحكم عن بعد بالقرب من مشغل DVD.

## رموز اللغات

استخدم هذه القائمة لإدخال اللغة المطلوبة للإعدادات الأولية التالية:  
صوت القرص، لغة ترجمة أفلام القرص، قائمة القرص.

الرمز	اللغة	الرمز	اللغة	الرمز	اللغة	الرمز	اللغة
8373	السنغالية	7678	اللينجالية	7074	الفيجية	6566	الأبخازيانية
8375	السلوفاكية	7684	الليتوانية	7073	الفنلندية	6565	الأفارية
8376	السلوفانية	7775	المقدونية	7082	الفرنسية	6570	الأفريكانية
8379	الصومالية	7771	المالاجيزية	7089	الفريزيانية	8381	الألبانية
6983	الإسبانية	7783	الماليزية	7176	الغاليشية	6577	الأمهارية
8385	السودانية	7776	المالاية	7565	الجورجية	6582	العربية
8387	السواحيلية	7784	المالطية	6869	الألمانية	7289	الأرمنية
8386	السويد	7773	الماروية	6976	اليونانية	6583	الأساميكية
8476	تاجالوج	7782	الماراثية	7576	الجرينلاندية	6588	الأميركية
8471	الطاجيكية	7779	المولداينية	7178	الغوارانية	6590	الأذربيجانية
8465	التاميلية	7778	المنغولية	7185	الجورجانية	6665	البشكيرية
8484	التاتارية	7865	النوارية	7265	الهاوسا	6985	الباسكية
8469	التيلوجية	7869	النيبالية	7387	العبرية	6678	البنغالية
8472	التايلاندية	7879	النرويجية	7273	الهندية	6890	البهاتينية
6679	التبتية	7982	الأورية	7285	المجرية	6672	البيهارية
8473	التيجرينية	8065	البنجابية	7383	الأيسلندية	6682	البريطونية
8479	التونجية	8083	الباشتو	7378	الإندونيسية	6671	البلغارية
8482	التركية	7065	الفارسية	7365	إنترلينجوا	7789	البورمية
8475	التركمانية	8076	البولندية	7165	الأيرلندية	6669	البيلاروسية
8487	التوى	8084	البرتغالية	7384	الإيطالية	7577	الكمبودية
8575	الأوكرانية	8185	كويتشية	7465	اليابانية	6765	الكتالانية
8582	الأوردية	8277	رايتورماونس	7487	الجاپانية	9072	الصينية
8590	الأوزبكستانية	8279	الرومانية	7578	كندا	6779	الكورسيكانية
8673	الفيتنامية	8285	الروسية	7583	الكشميرية	7282	الكرواتية
8679	الفولابوكية	8377	سامون	7575	الكازاخية	6783	التشيكية
6789	الويلزية	8365	السانسكريتية	7589	الكيرغيزية	6865	الدانمركية
8779	الولوفيه	7168	الإسكتلندية الغاليلية	7579	الكورية	7876	الهولندية
8872	الهاوسا	8382	السويد	7585	الكردية	6978	الإنجليزية
7473	الييدية	8372	الصرب-كرواتية	7679	الليتوانية	6979	اسبرانتو
8979	اليوروبية	8378	الصومالية	7665	اللاتينية	6984	الأستونية
9085	الزولية	8368	السندية	7686	اللاتيفية	7079	الفاروسية

## رموز المناطق

اختر رمز دولة من هذه القائمة.

الدولة	الرمز	الدولة	الرمز	الدولة	الرمز	الدولة	الرمز
السعودية	SA	ماليزيا	MY	أثيوبيا	ET	أفغانستان	AF
السنغال	SN	المالديف	MV	فيجي	FJ	الأرجنتين	AR
سنغافورة	SG	ميكسيكو	MX	فنلندا	FI	أستراليا	AU
جمهورية سلوفاكيا	SK	موناكو	MC	فرنسا	FR	النمسا	AT
سلوفينيا	SI	منغوليا	MN	ألمانيا	DE	بلجيكا	BE
أفريقيا الوسطى	ZA	المغرب	MA	بريطانيا العظمى	GB	بوتان	BT
كوريا الجنوبية	KR	نيبال	NP	اليونان	GR	بوليفيا	BO
إسبانيا	ES	هولندا	NL	جرين لاند	GL	البرازيل	BR
سيريلانكا	LK	جزر أنتيليز بهولندا	AN	الجزر	HM	كمبوديا	KH
السويد	SE	نيوزيلاندا	NZ	هونغ كونج	HK	كندا	CA
سويسرا	CH	نيجيريا	NG	المجر	HU	تشيلي	CL
تايوان	TW	النرويج	NO	الهند	IN	الصين	CN
تايلاند	TH	عمان	OM	أندوسيا	ID	كولومبيا	CO
تركيا	TR	باكستان	PK	إسرائيل	IL	الكونغو	CG
أوغندا	UG	باناما	PA	إيطاليا	IT	كوستاريكا	CR
أوكرانيا	UA	باراجواي	PY	جامايكا	JM	كراوتيا	HR
الولايات المتحدة	US	الفلبين	PH	اليابان	JP	جمهورية التشيك	CZ
أورجواي	UY	بولاندا	PL	كينيا	KE	الدنمارك	DK
أوزباكستان	UZ	البرتغال	PT	الكويت	KW	الإكوادور	EC
فيتنام	VN	رومانيا	RO	ليبيا	LY	مصر	EG
زيمبابوي	ZW	الاتحاد الروسي	RU	لوكسمبورج	LU	السلفادور	SV

## المواصفات

### عام

متطلبات الطاقة: ١١٠-٢٤٠ فولت تيار متردد، ٥٠/٦٠ هرتز.

استهلاك الطاقة: ٨ فولت

الأبعاد (تقريباً):

DZ9511P: ٣٦٠ x ٣٥ x ٢٤٢ بوصة (العرض x الطول x الارتفاع) دون قدم

DZ9711P: ٤٣٠ x ٣٥ x ٢٤٢ بوصة (العرض x الطول x الارتفاع) دون قدم

الوزن (تقريباً): DZ9511P: ١,٧ كجم

DZ9711P: ١,٩ كجم

درجة حرارة التشغيل:

من ٥ درجة مئوية إلى ٣٥ درجة مئوية (٤١ فهرنهايت إلى ٩٥ فهرنهايت)

رطوبة التشغيل: ٥٪ إلى ٩٠٪

### مخارج

(VIDEO OUT) (مخرج الفيديو):

١,٠ فولت من القمة إلى القاع  $\Omega 75$ ، تزامن سلبي، قابس RCA x ١

COMPONENT VIDEO OUT (مخرج الفيديو المركب):

(Y) ١,٠ فولت (من القمة إلى القاع)،  $\Omega 75$ ، تزامن سلبي، قابس RCA x ١

(Pb)/(Pr) ٠,٧ فولت (من القمة إلى القاع)،  $\Omega 75$ ، قابس RCA x ٢

(AUDIO OUT) (مخرج الصوت):

٢,٠ (متوسط الجذر التربيعي للفولت) (١ كيلو هرتز، ٠ ديسيبل)،  $\Omega 600$ ، قابس

RCA (يسار، يمين) x ١

VIDEO OUT (COAXIAL) (مخرج الفيديو - متحد المحاور):

٠,٥ فولت (من القمة إلى القاع)،  $\Omega 75$ ، قابس RCA x ١

### النظام

الليزر:

شبه موصل ليزر، طول الموجة ٦٥٠ نانوميتر

نظام الإشارات: PAL/NTSC

استجابة التردد:

DVD (٩٦ PCM كيلو هرتز): ٨ هرتز إلى ٤٤ كيلو هرتز

DVD (٤٨ PCM كيلو هرتز): ٨ هرتز إلى ٢٢ كيلو هرتز

CD: ٨ هرتز إلى ٢٠ كيلو هرتز

معدل الإشارة إلى الضوضاء:

أكثر من ١٠٠ ديسيبل (موصلات ANALOG OUT (مخرج تناظري) فقط))

التشوه النغمي: أقل من ٠,٠٢٪

المدى الديناميكي:

أكثر من ٩٥ ديسيبل (DVD/CD)

الملحقات

كابل الفيديو (١)، كابل الصوت (١)، التحكم عن بعد (١)، البطاريات (٢)