



Room Air Conditioner (Window Type)

OWNER'S MANUAL

WINDOW TYPE ROOM AIR CONDITIONER

- Please read carefully and thoroughly this manual before operating this unit.
- Contact the authorized SVC man for repair or maintenance of this unit.
- Contact the installer for installation of this unit.
- The appliance is not intended for use by young children or infirm persons without supervision.
- Young children should be supervised to ensure that they do not play with the appliance.

MODELS: W091CA TSG0

(MODELOS) W092CA TSG0

W121CA TSC2

W122CA TSC0

W182CMH TSN1

W182CA TSN0

W242CM TSN0

W081CM TSG2

W182CM TSN0

W242CA TSN0



Antes de usar su aire acondicionado, lea este manual cuidadosamente y manténgalo para futura referencia.

Aire Acondicionado (Tipo de Ventana)

MANUAL DEL USUARIO

ENGLISH

ESPAÑOL

TABLE OF CONTENTS

1. *Safety Precautions*

2. *Operating Instructions*

3. *Care and Maintenance*

4. *Hardware Installation*

5. *Common Issues*



FOR YOUR RECORDS

Write the model and serial numbers here:

Model #

Serial #

You can find them on a label on the side of each unit.

Dealer's Name

Date Purchased

- Staple your receipt to this page in the event you need it to prove date of purchase or for warranty issues.



READ THIS MANUAL

Inside you will find many helpful hints on how to use and maintain your air conditioner properly. Just a little preventive care on your part can save you a great deal of time and money over the life of your air conditioner.

You'll find many answers to common problems in the chart of troubleshooting tips. If you review our chart of

Troubleshooting Tips first, you may not need to call for service at all.



PRECAUTION

- Contact the authorized service technician for repair or maintenance of this unit.
- Contact the installer for installation of this unit.
- The air conditioner is not intended for use by young children or invalids without supervision.
- Young children should be supervised to ensure that they do not play with the air conditioner.
- When the power cord is to be replaced, replacement work shall be performed by authorized personnel only using only genuine replacement parts.
- Installation work must be performed in accordance with the National Electric Code by qualified and authorized personnel only.





To prevent injury to the user or other people and property damage, the following instructions must be followed.

■ Incorrect operation due to ignoring instruction will cause harm or damage. The seriousness is classified by the following indications.

⚠ WARNING This symbol indicates the possibility of death or serious injury.

⚠ CAUTION This symbol indicates the possibility of injury or damage to properties only.

■ Meanings of symbols used in this manual are as shown below.

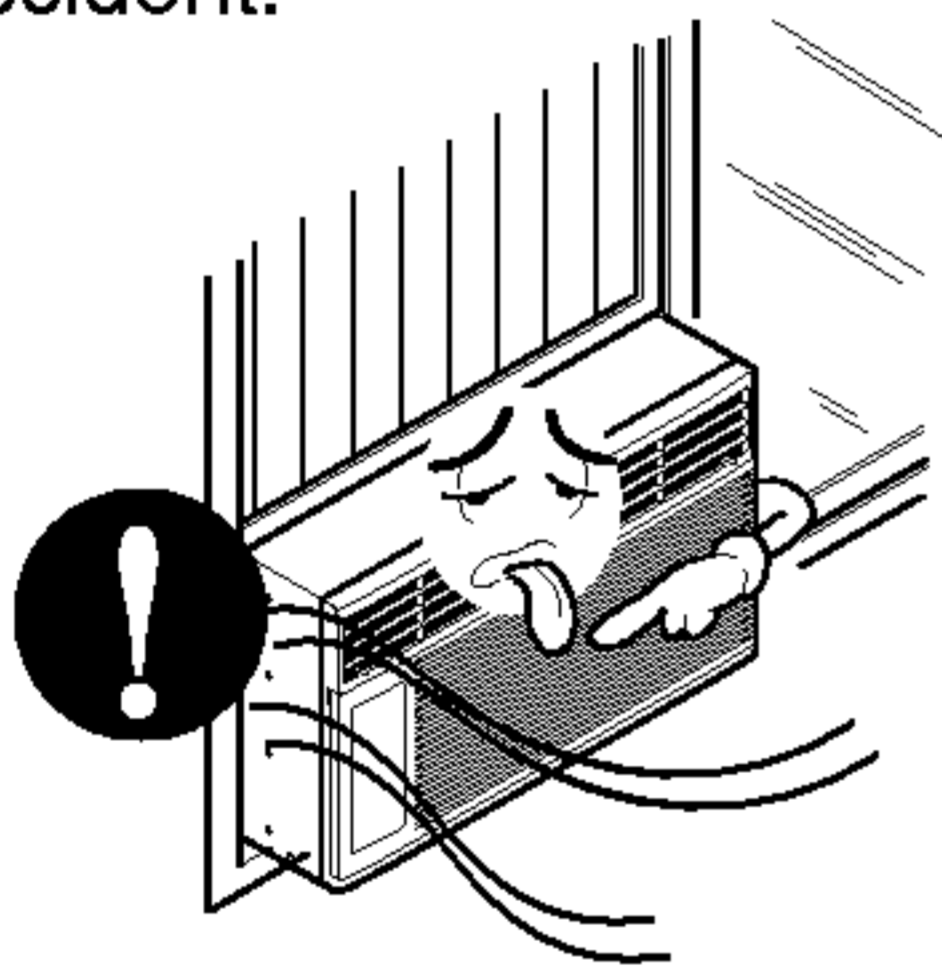
	Be sure not to do.
	Be sure to follow the instruction.

⚠ WARNING

■ Installation

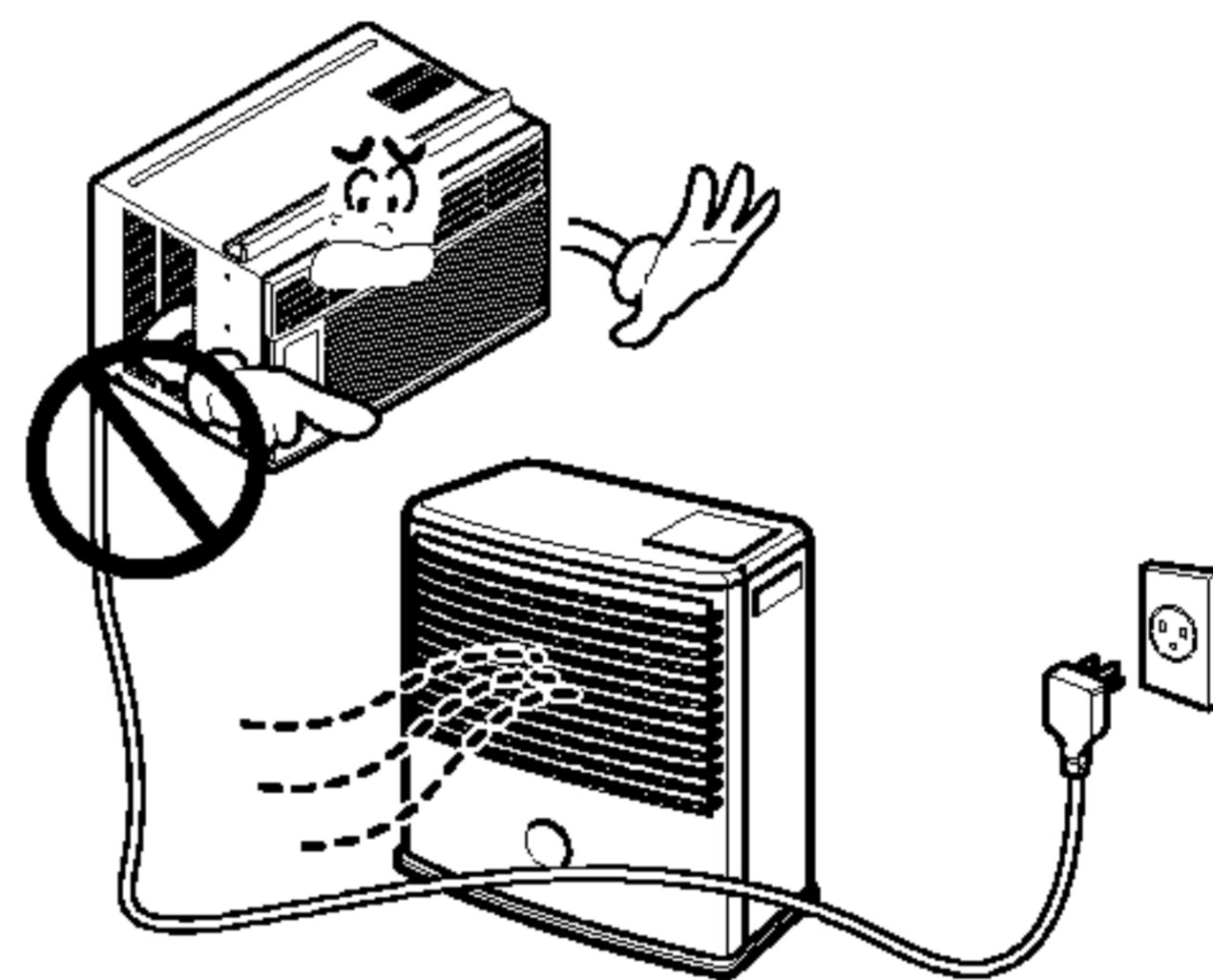
Always install the expansion panel(s).

- No installation may cause fire and electric shock accident.



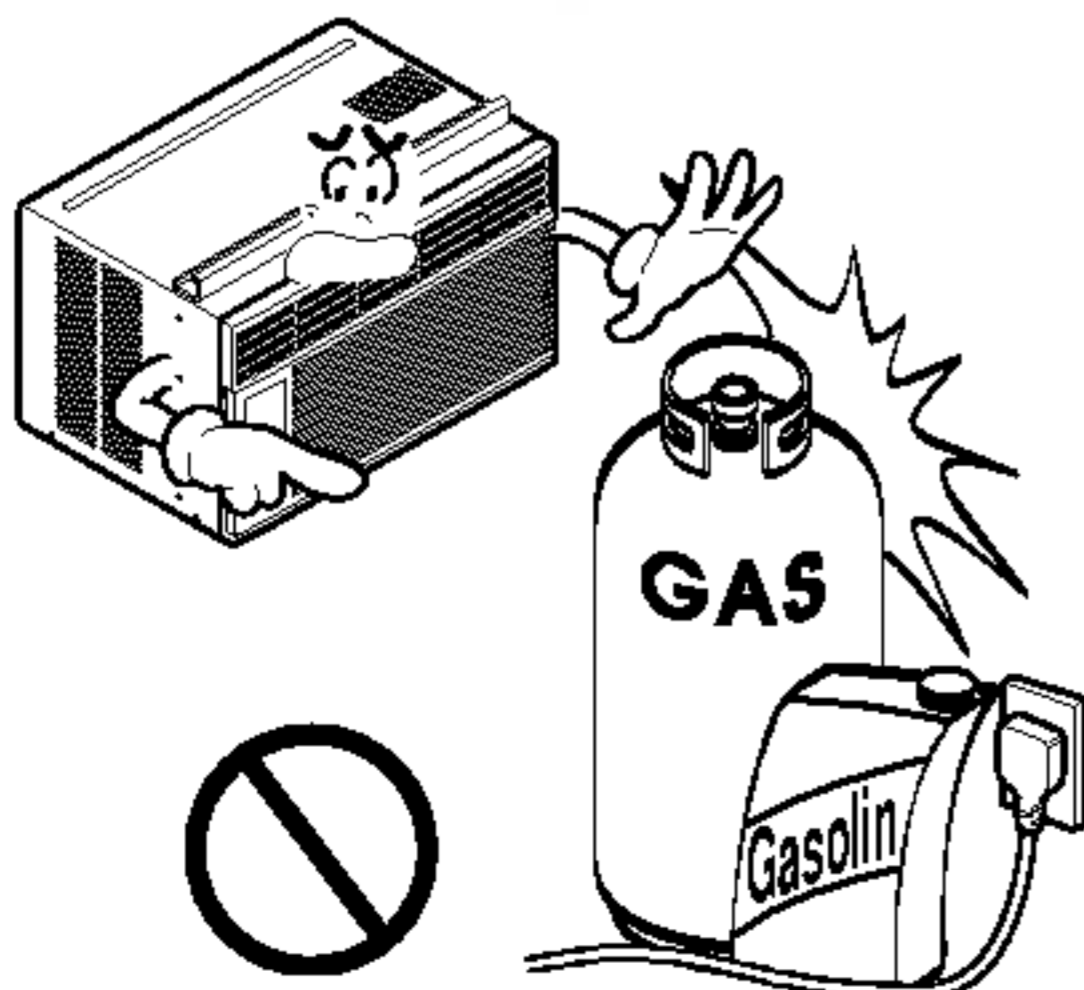
Do not place the power cord near a heater.

- It may cause fire and electric shock.



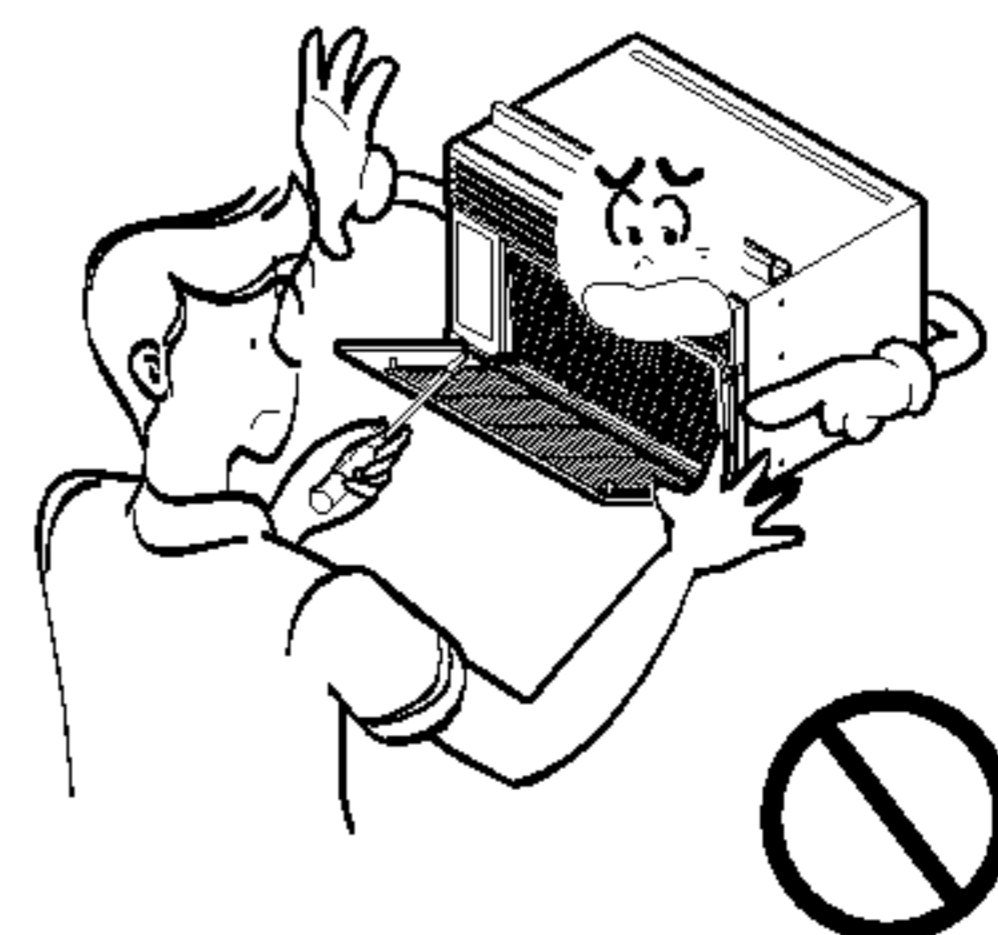
Do not use the power cord near flammable gas or combustibles such as gasoline, benzene, thinner, etc.

- It may cause explosion or fire.



Do not disassemble or modify products.

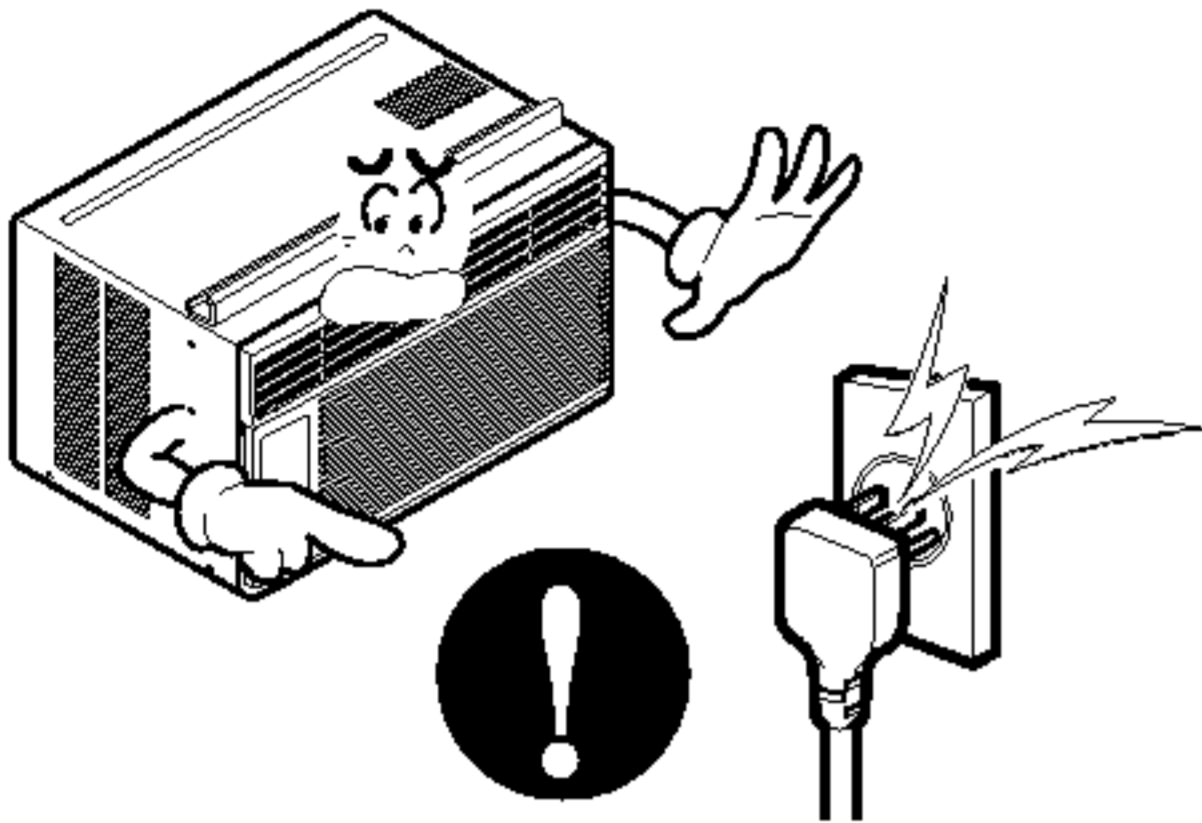
- It may cause failure and electric shock.



■ Operation

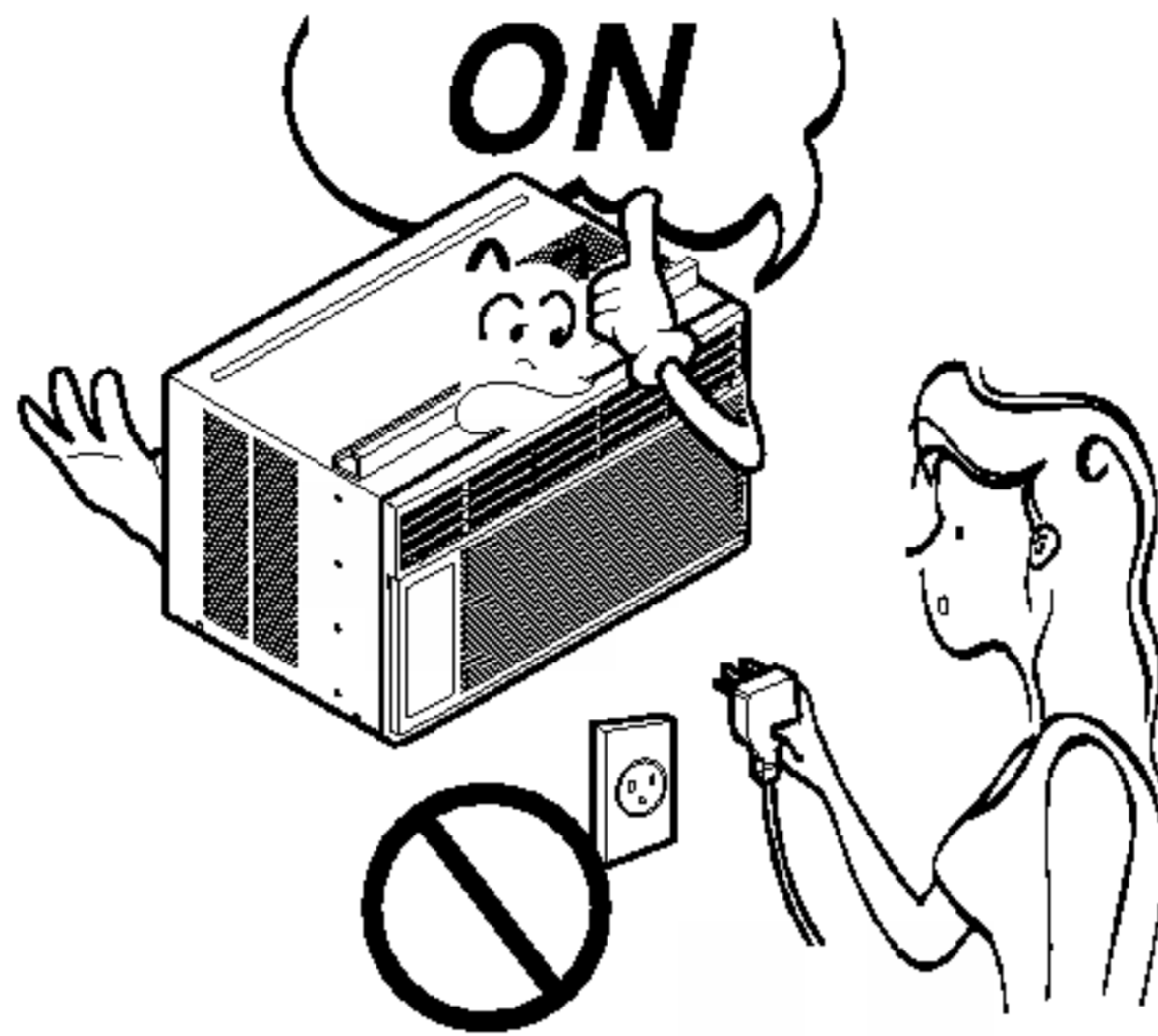
Plug in the power plug properly.

- Otherwise, it will cause electric shock or fire due to heat generation or electric shock.



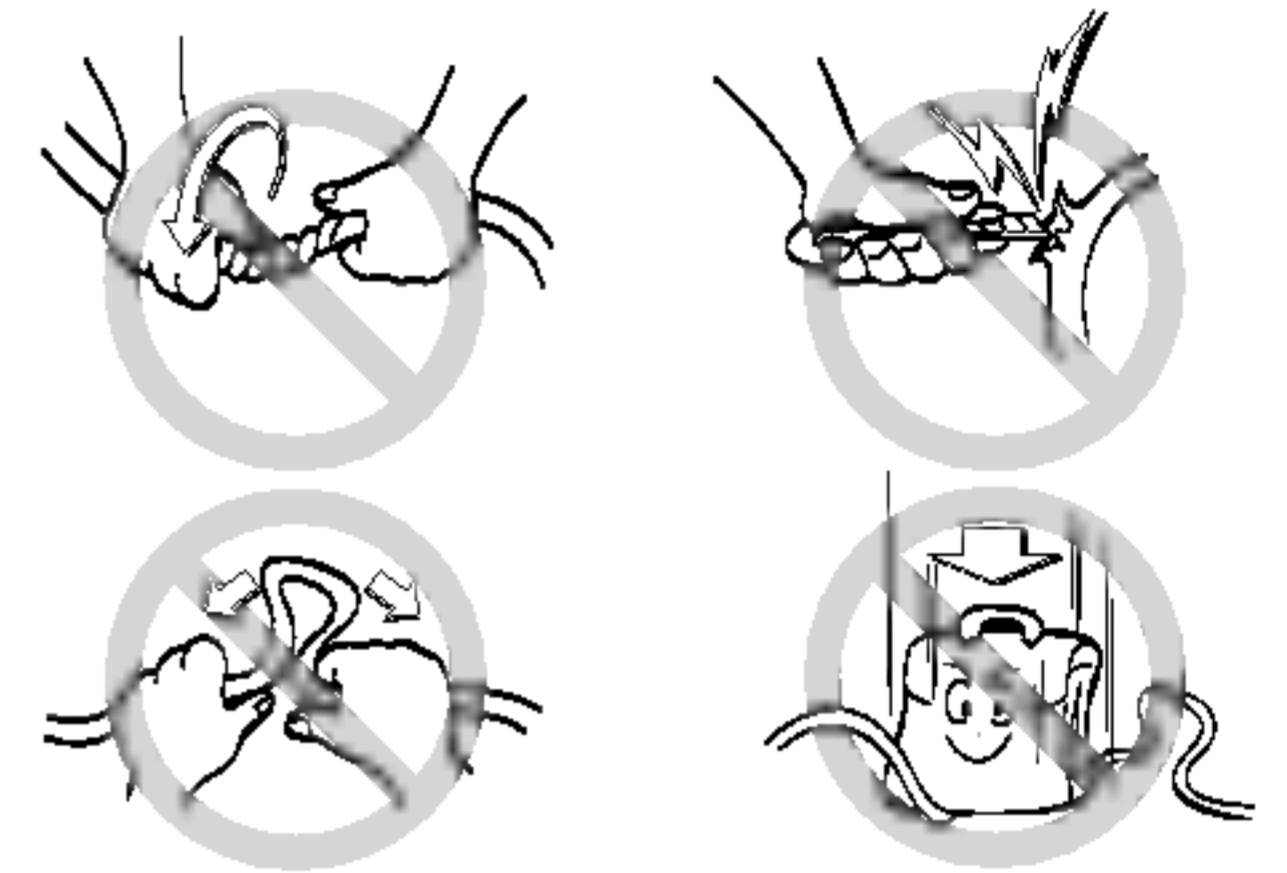
Do not operate or stop the unit by inserting or pulling out the power plug.

- It will cause electric shock or fire due to heat generation.



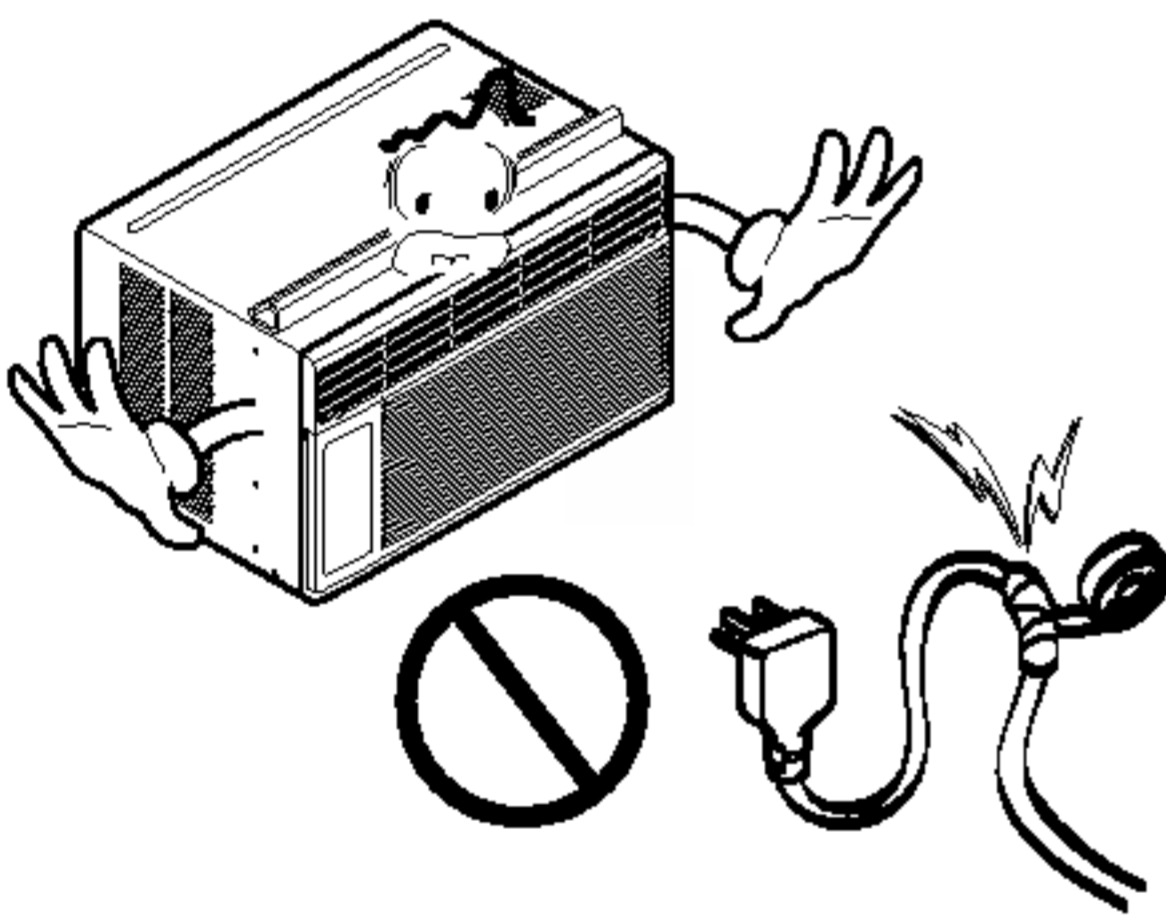
Do not damage or use an unspecified power cord.

- It will cause electric shock or fire.



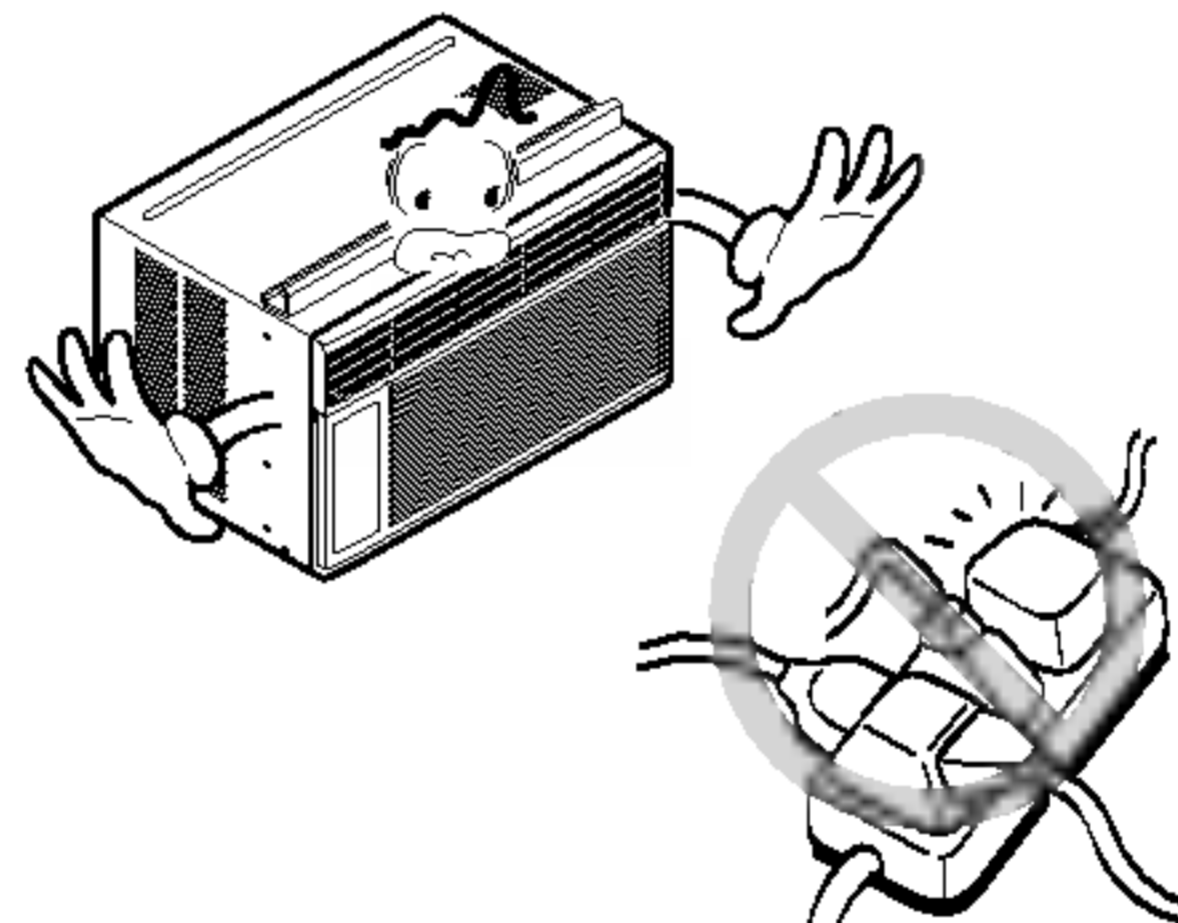
Do not modify power cord length.

- It will cause electric shock or fire due to heat generation.



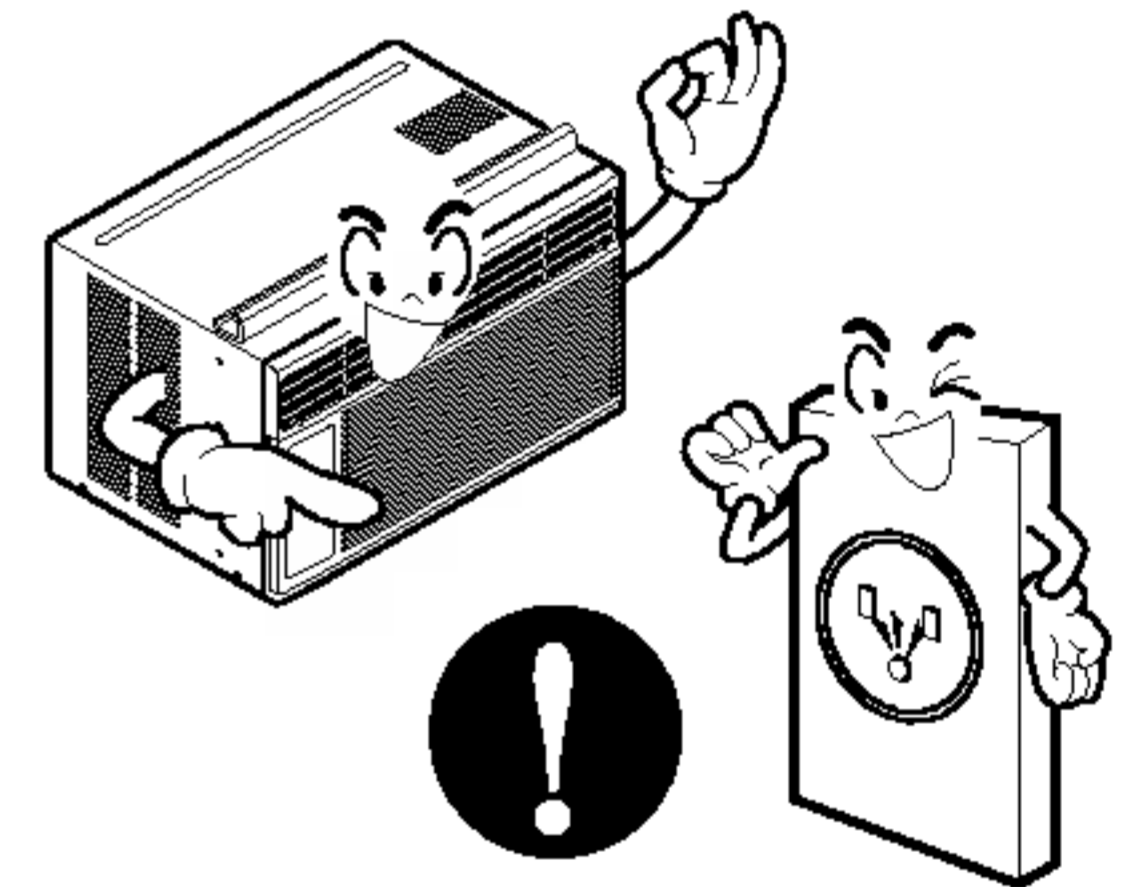
Do not share the outlet with other appliances.

- It will cause electric shock or fire due to heat generation.



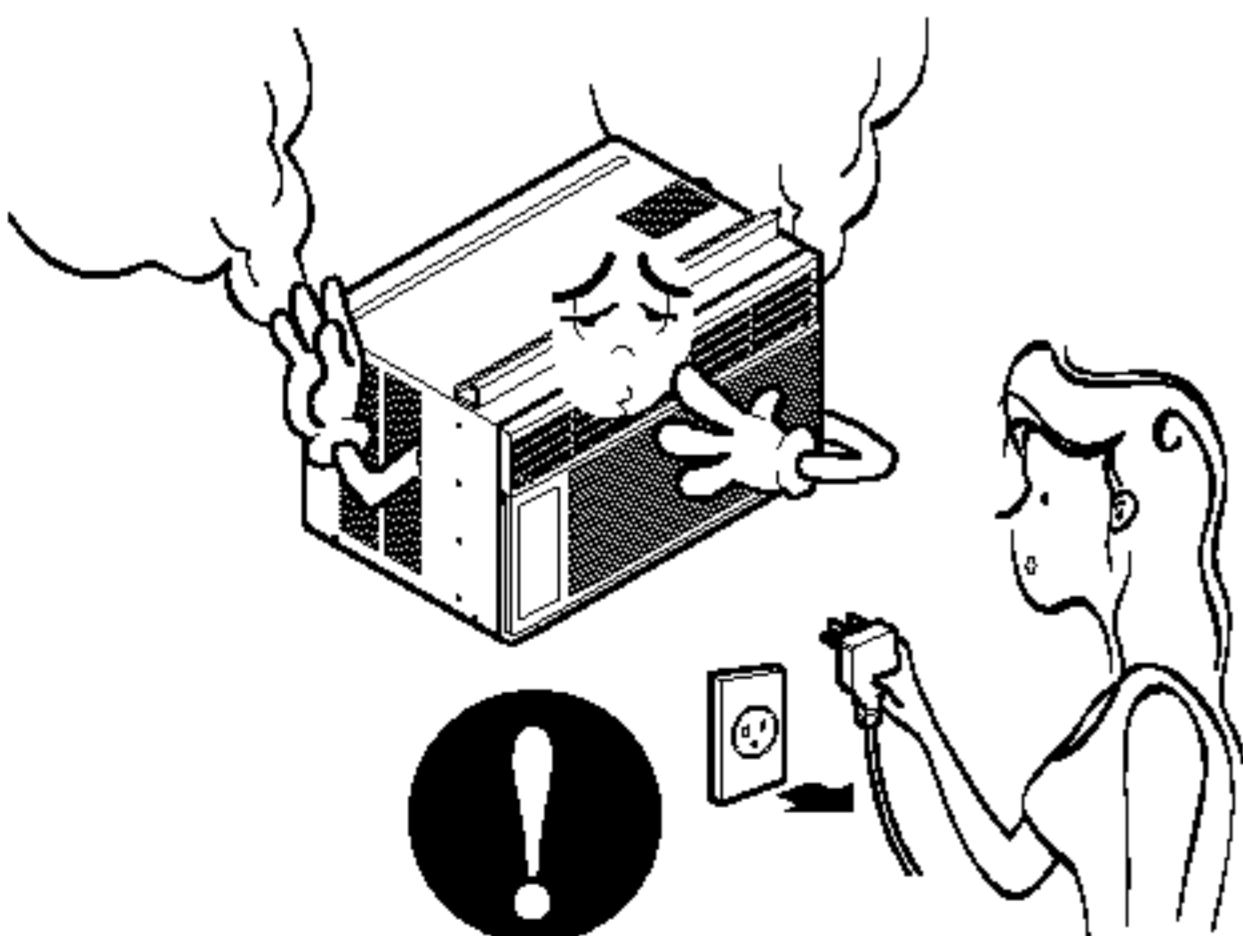
Always plug into a grounded outlet.

- No grounding may cause electric shock (See Installation Manual).



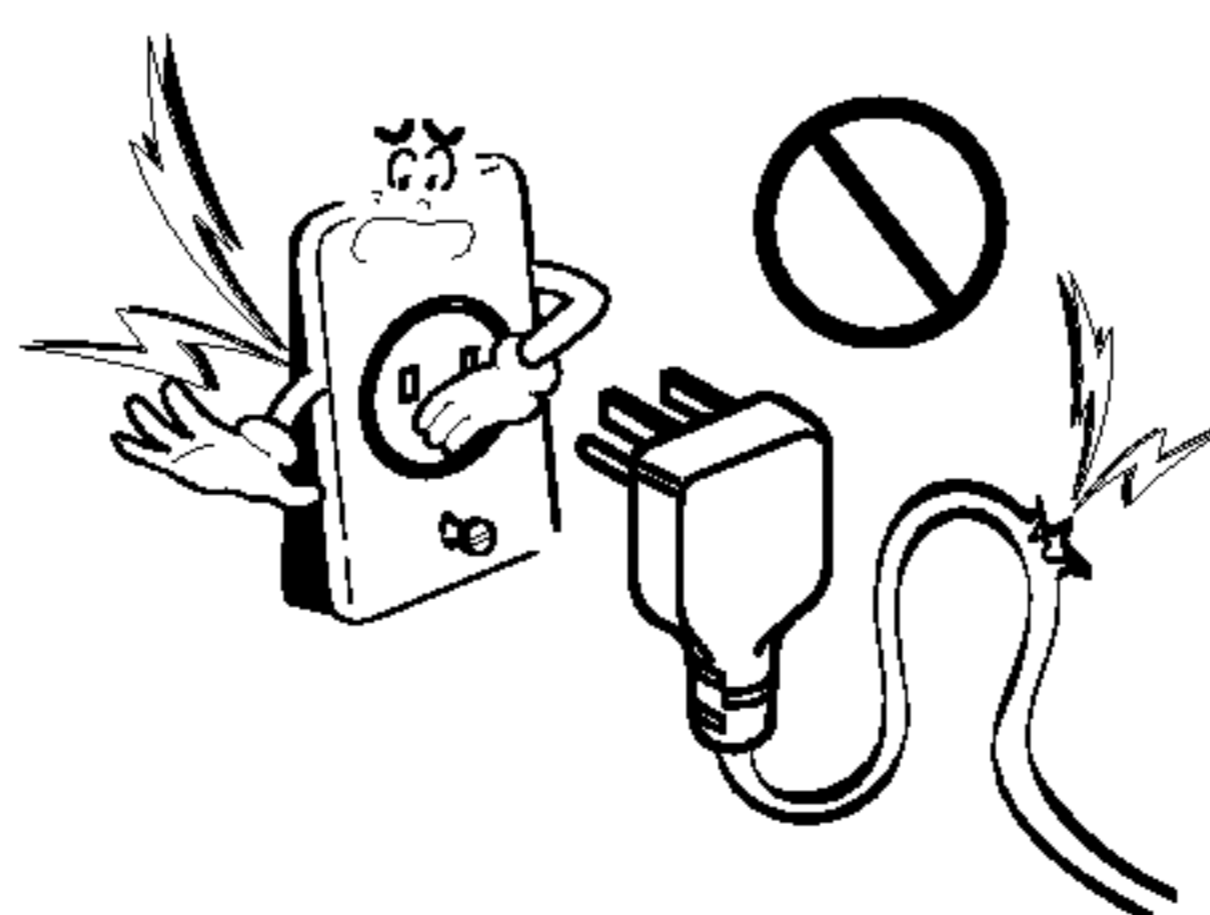
Unplug the unit if strange sounds, odors, or smoke come from it.

- Otherwise it may cause fire and electric shock accident.



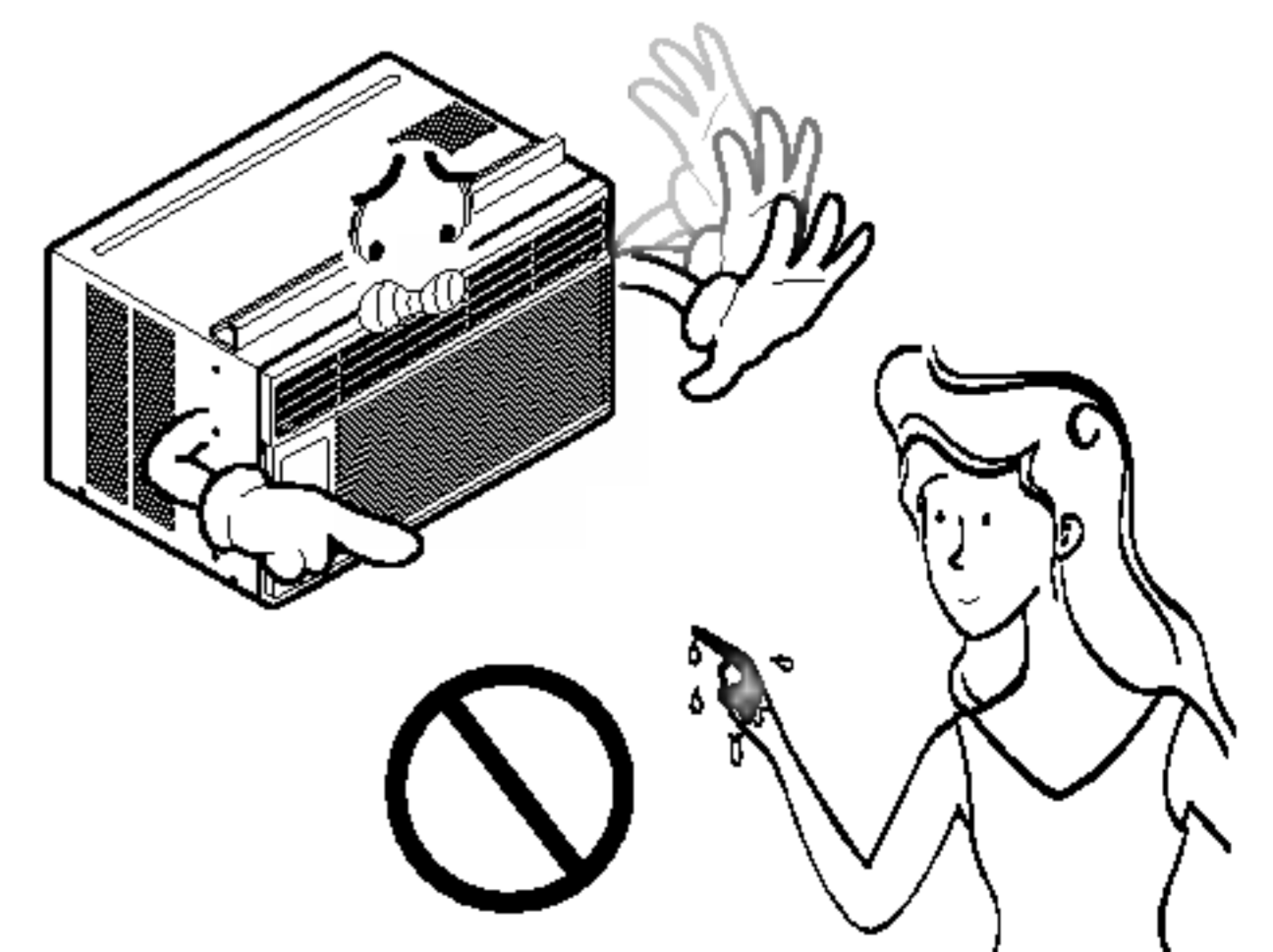
Do not use the socket if it is loose or damaged.

- It may cause fire and electric shock.



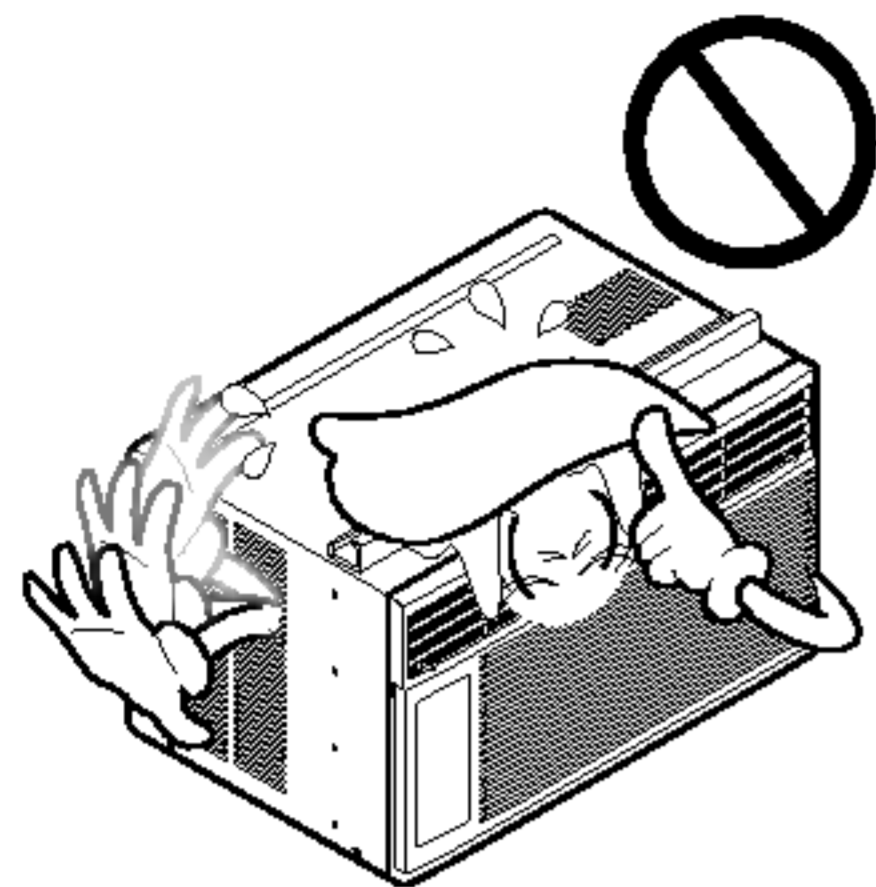
Do not operate with wet hands or in damp environment.

- It will cause electric shock.



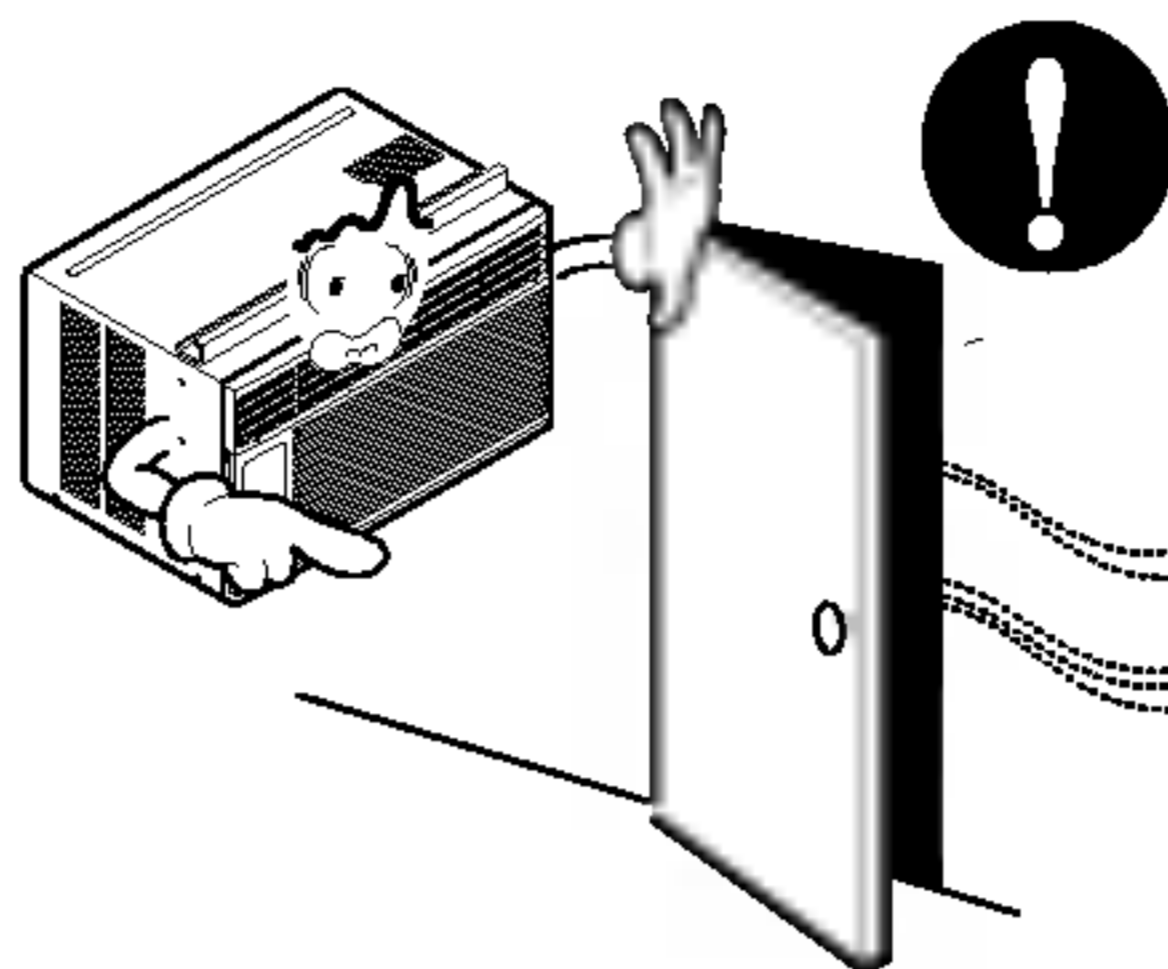
Do not allow water to run into electric parts.

- It will cause failure of machine or electric shock.



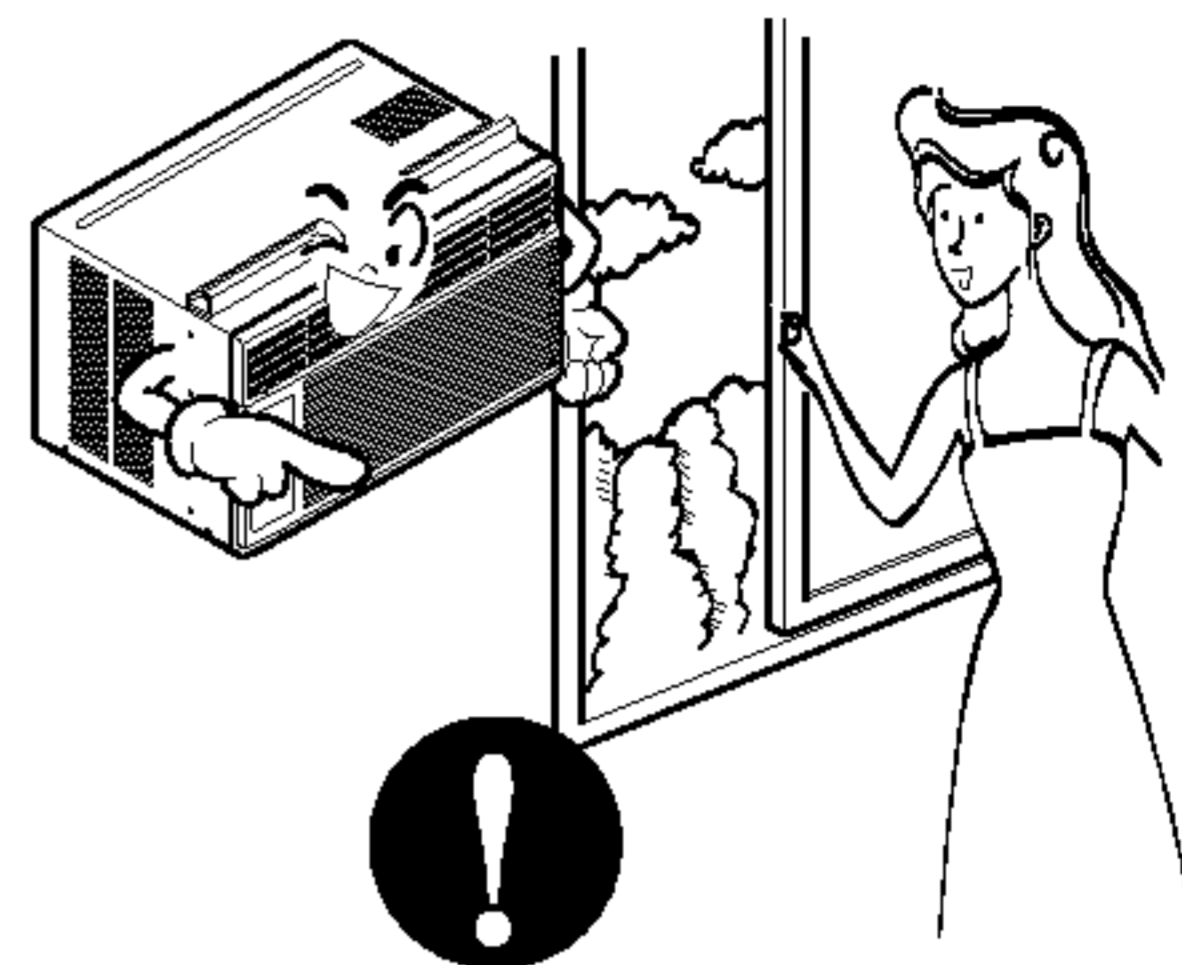
Leave the door closed while the air conditioner is running.

- It is not designed to cool the entire house.



Ventilate before operating air conditioner when gas goes out.

- It may cause explosion, fire, and burn.

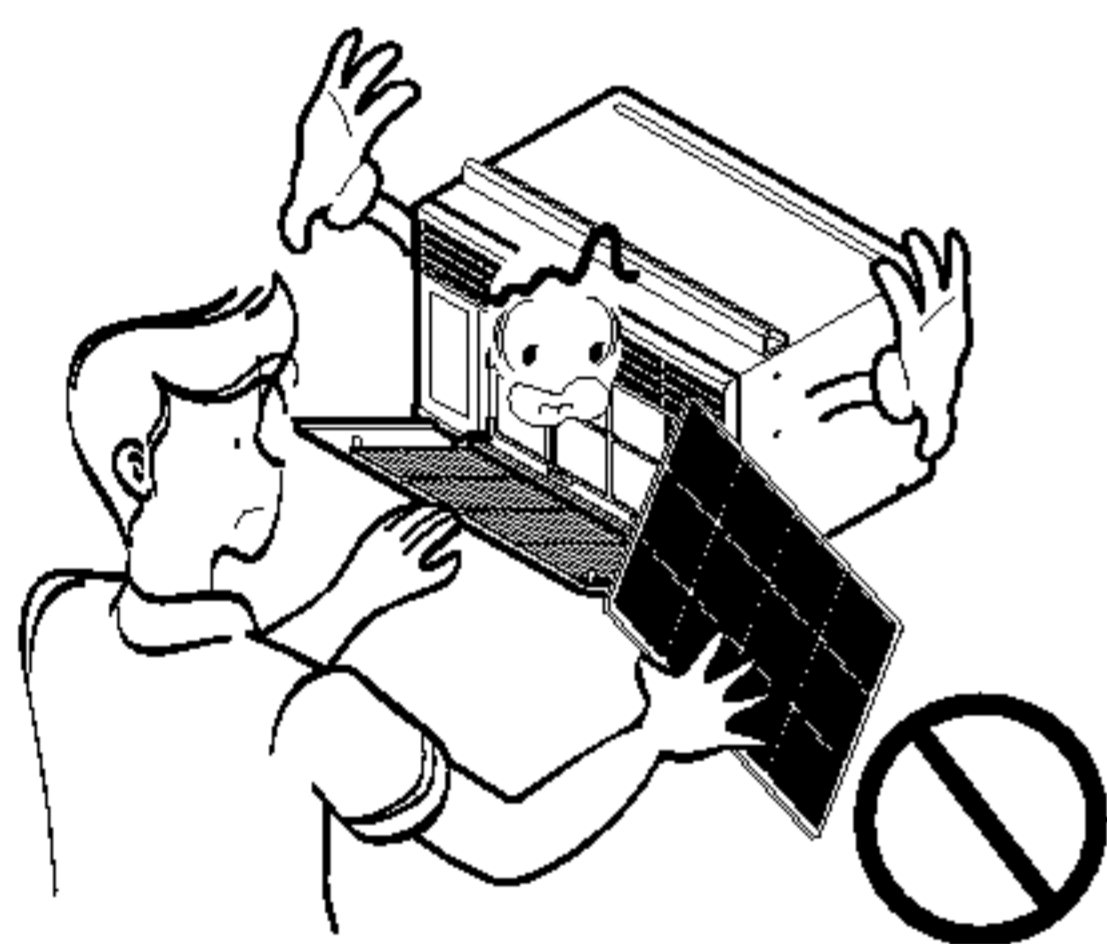


CAUTION

Installation

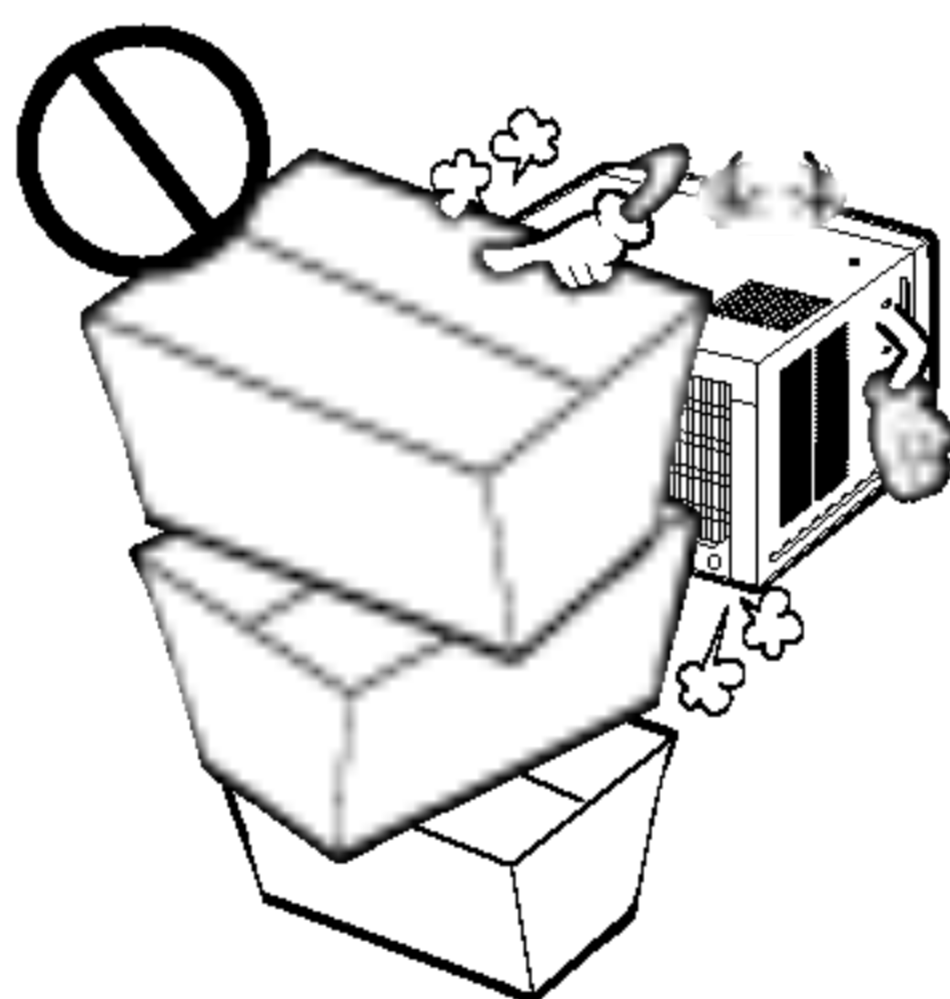
Never touch the metal parts of the unit when removing the filter.

- They are sharp and may cause injury.



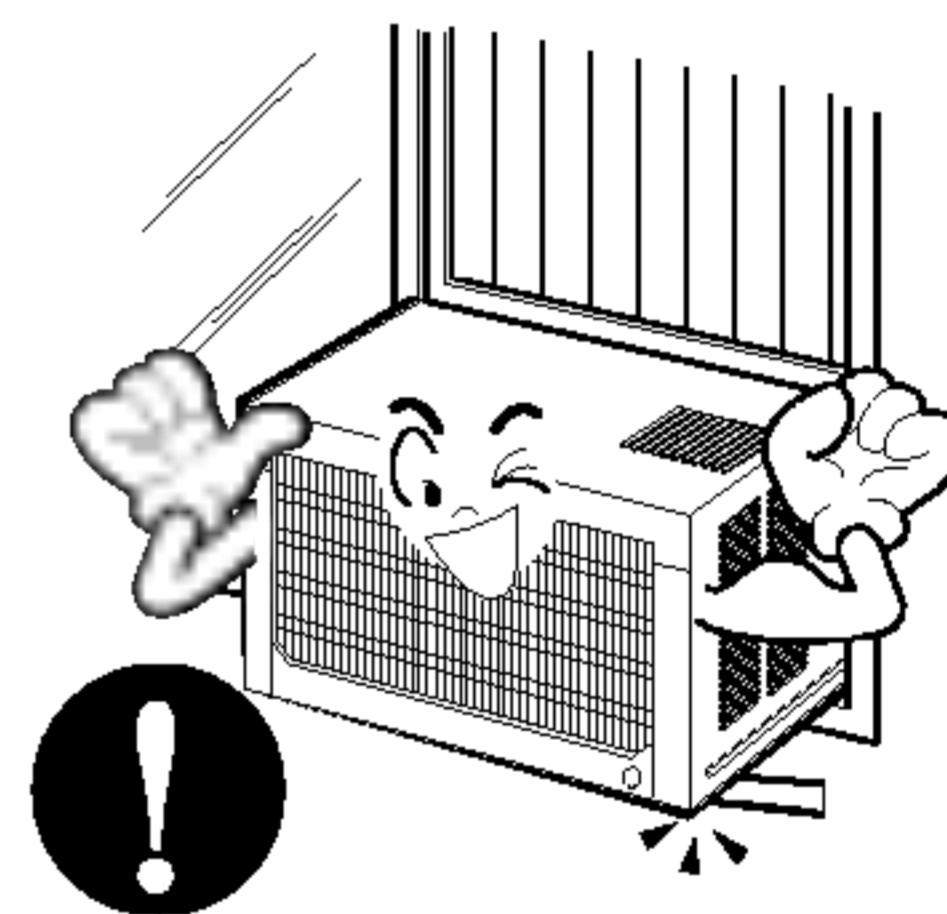
Do not block the inlet or outlet.

- It may cause failure of appliance or accident.



Ensure that the outer case is not damaged by age or wear.

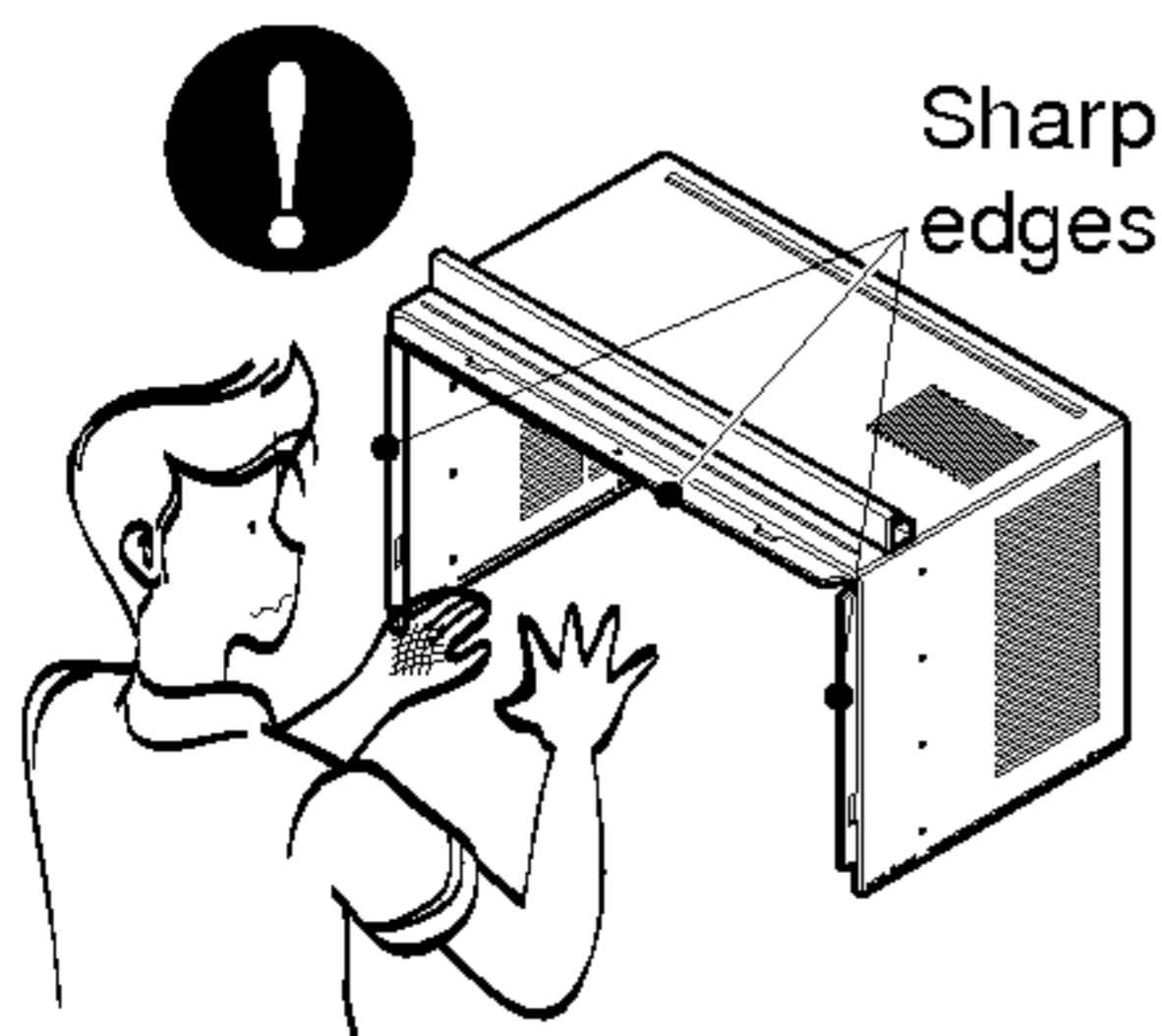
- If leaving appliance damaged, there is concern of damage due to the falling of product.



Operation

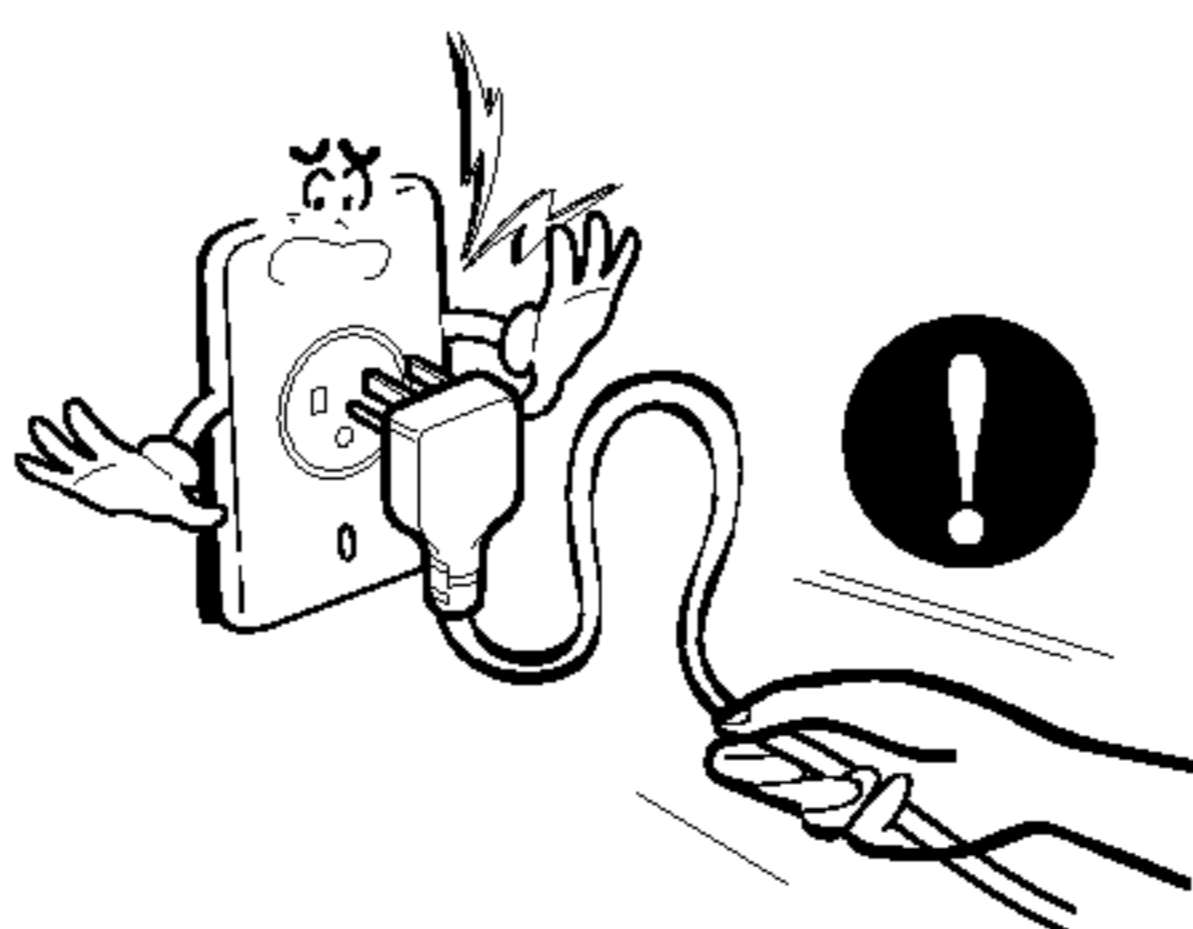
Be cautious not to touch the sharp edges when installing.

- It may cause injury.



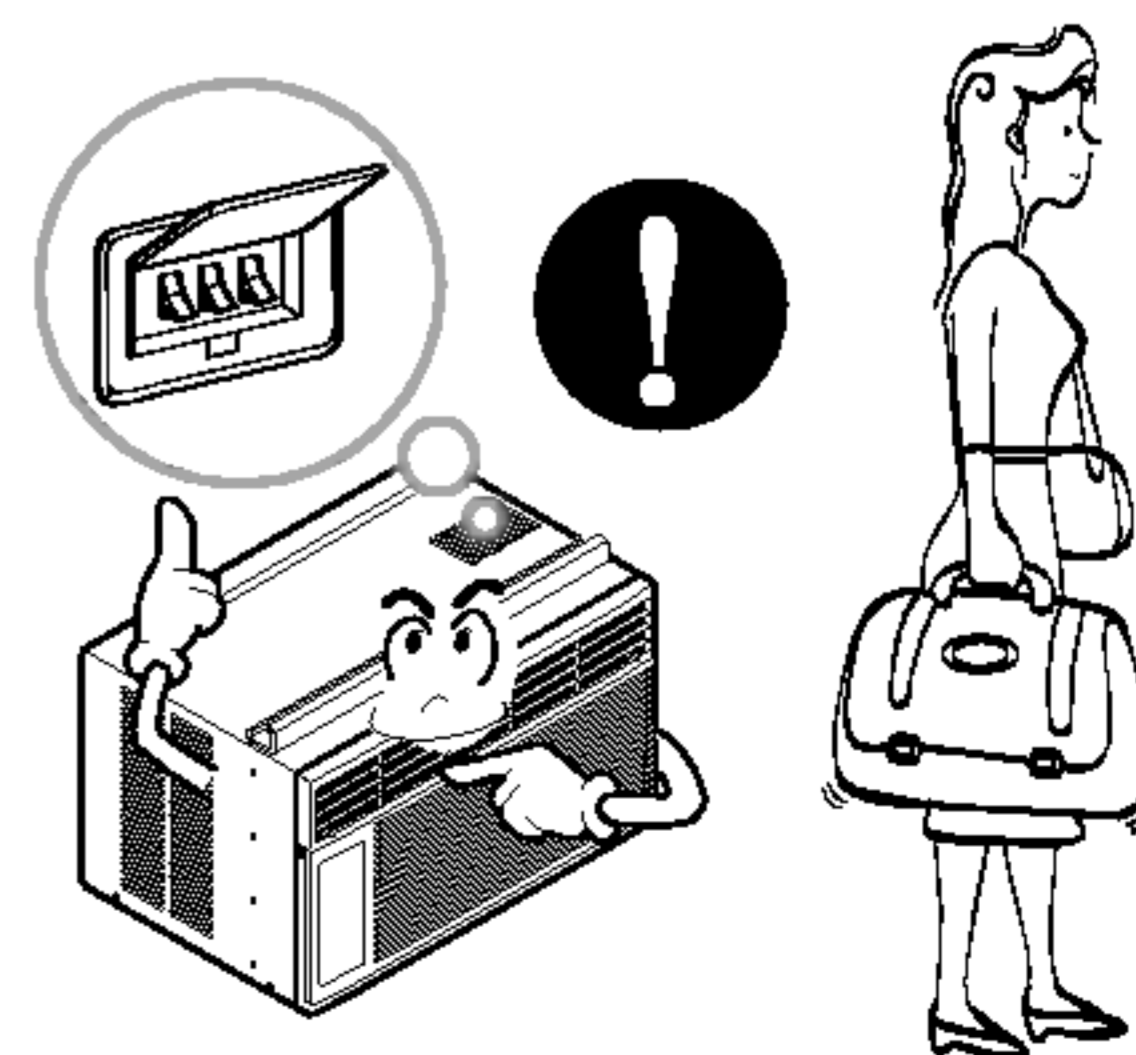
Hold the plug by the head when taking it out.

- It may cause electric shock and damage.



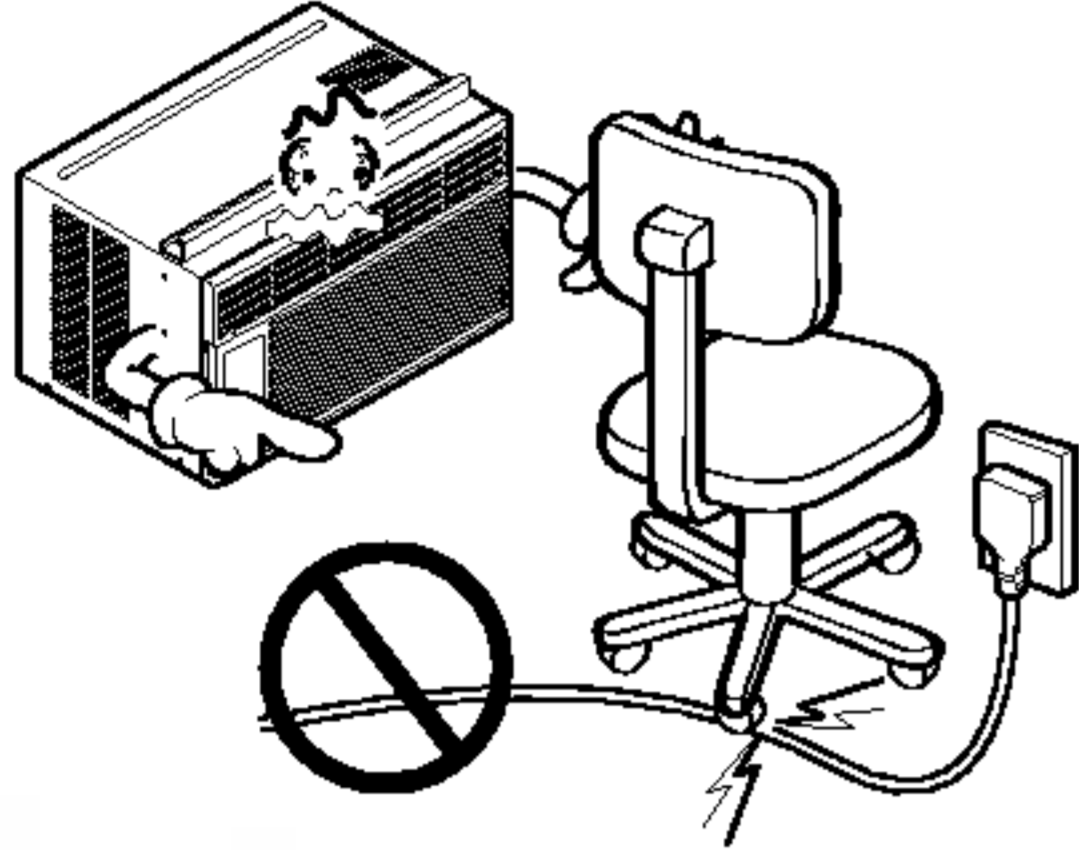
Turn off the main power switch when not using it for a long time.

- Prevent accidental startup and the possibility of injury.



Do not place heavy object on the power cord and take care so that the cord should not be pressed.

- There is danger of fire or electric shock.

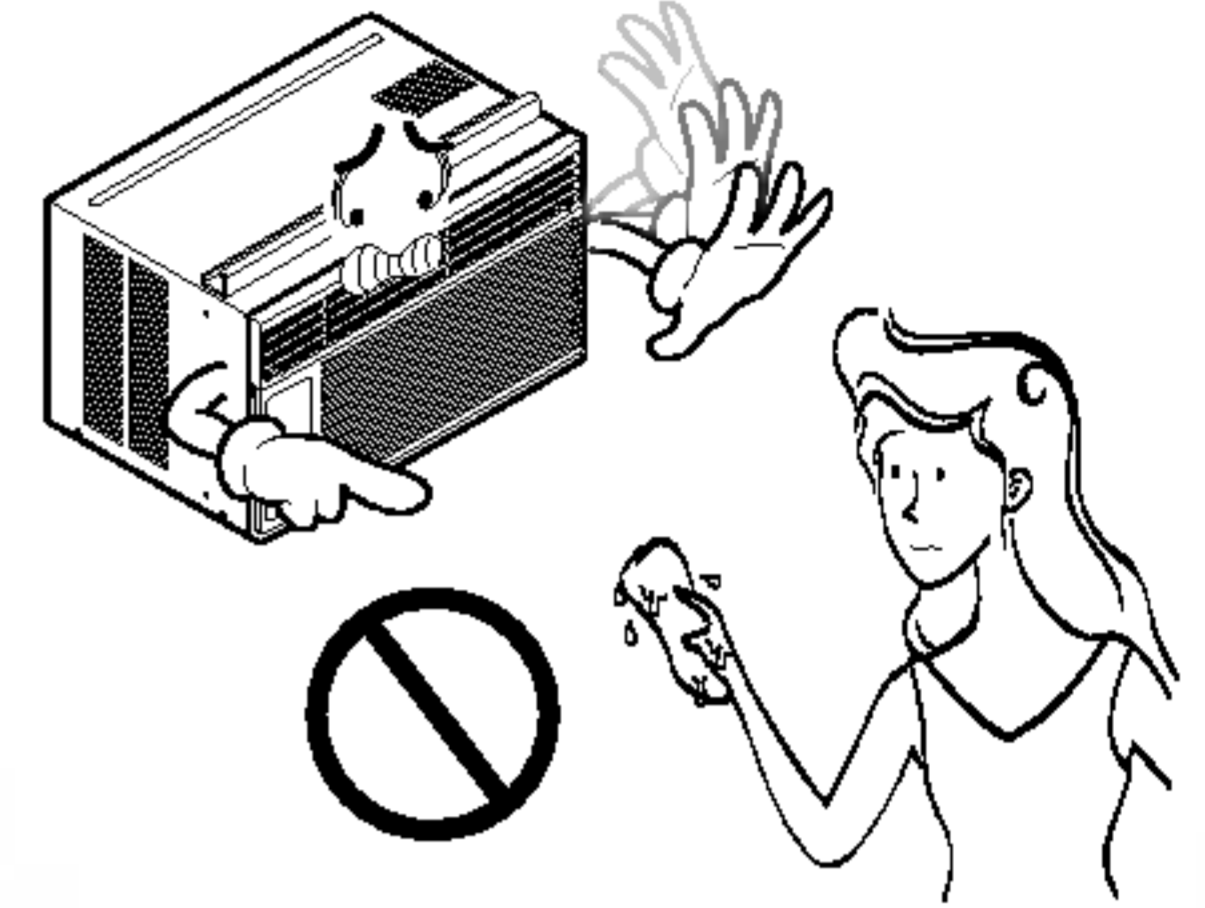


If water enters the product, turn off the the power switch of the main body of appliance. Contact service center after taking the power-plug out from the socket.



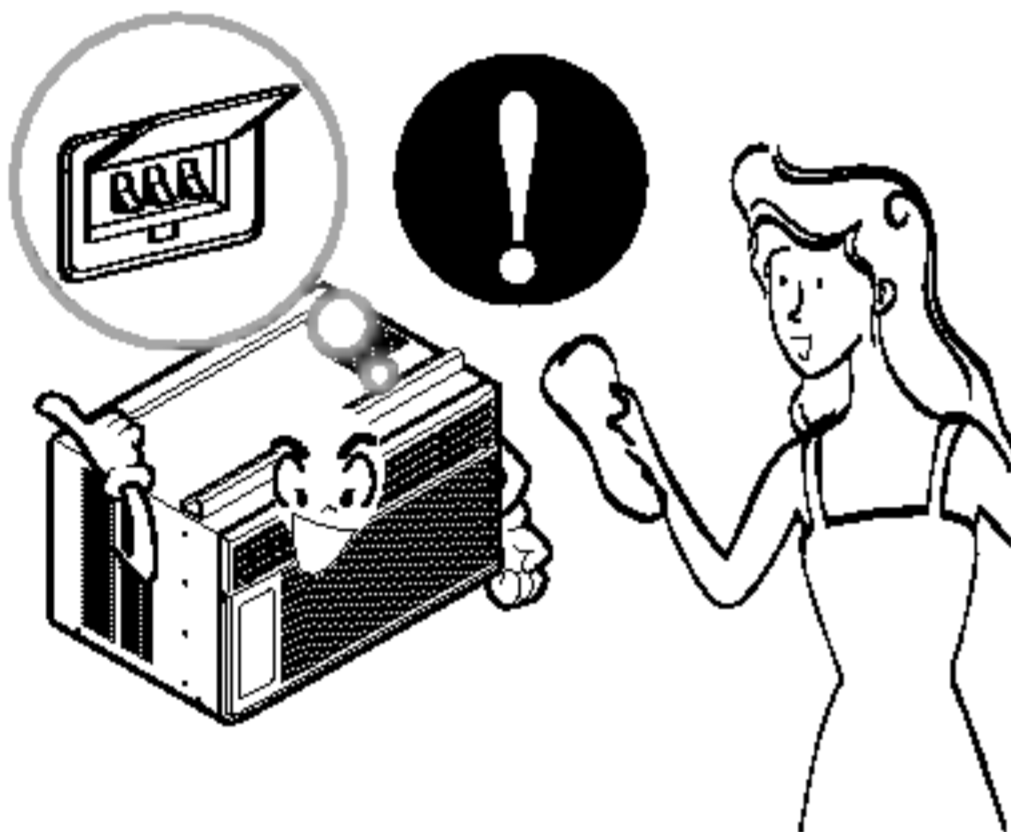
Do not clean the air conditioner with water.

- Water may enter the unit and degrade the insulation. It may cause an electric shock.



Turn off the power and breaker firstly when cleansing the unit.

- Since the fan rotates at high speed during operation, it may cause injury.



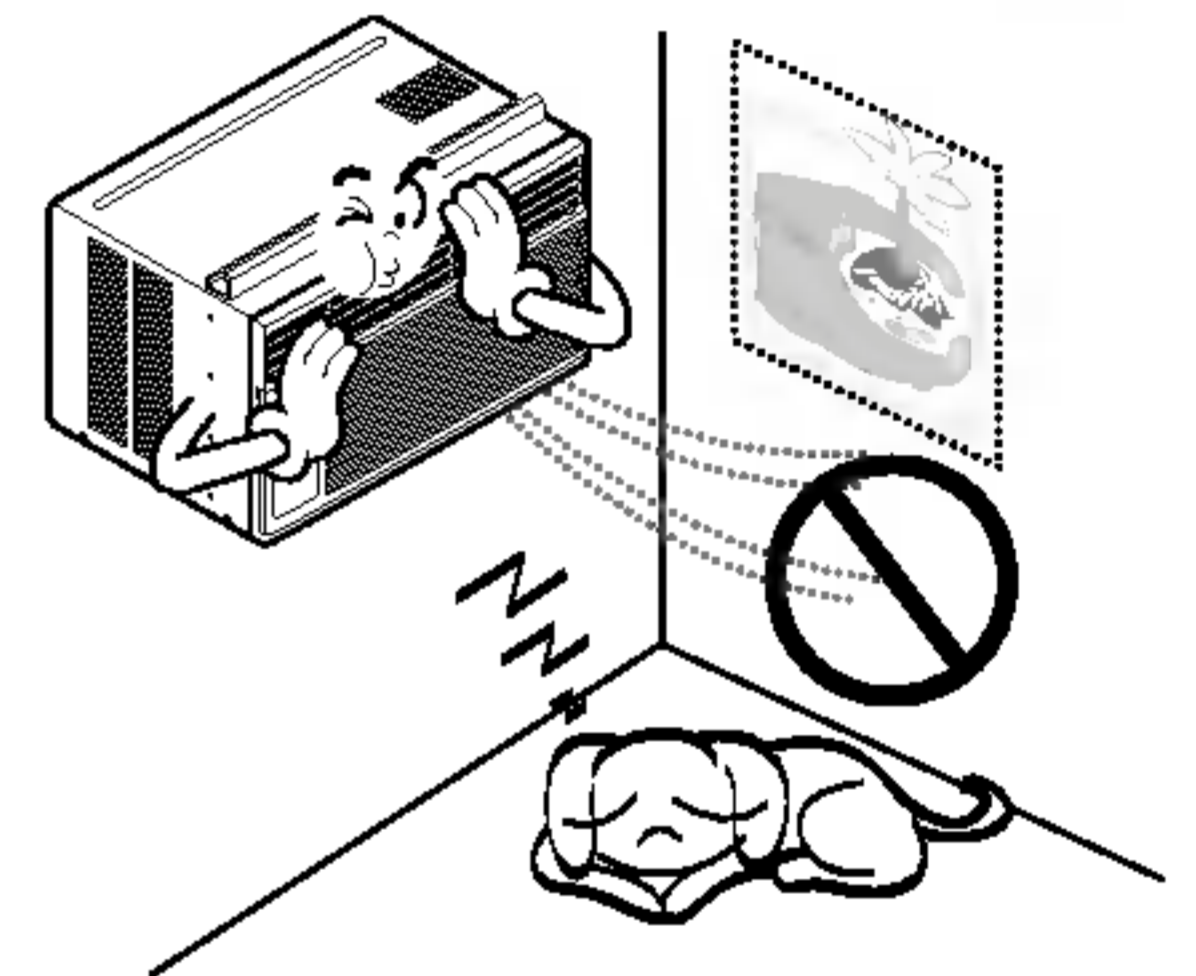
Do not put a pet or house plant where it will be exposed to direct air flow.

- This could injure the pet or plant.



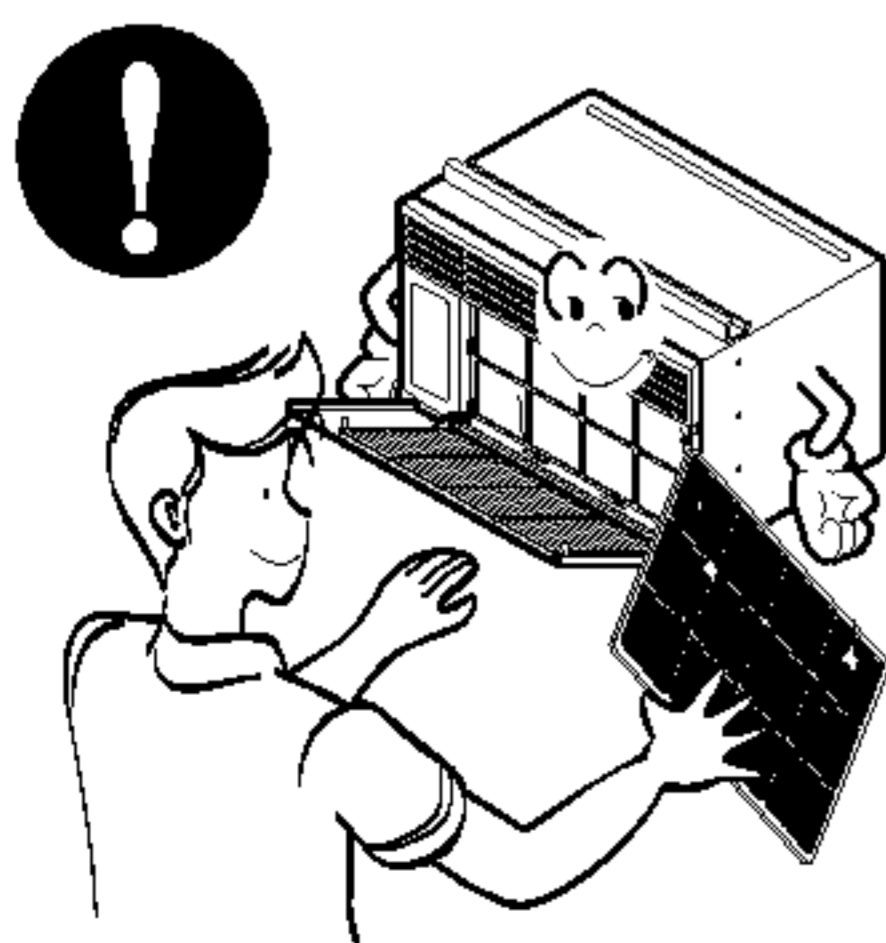
Do not use this appliance for special purposes such as pets, foods, precision machinery, or objects of art.

- It is an air conditioner, not a precision refrigeration system.



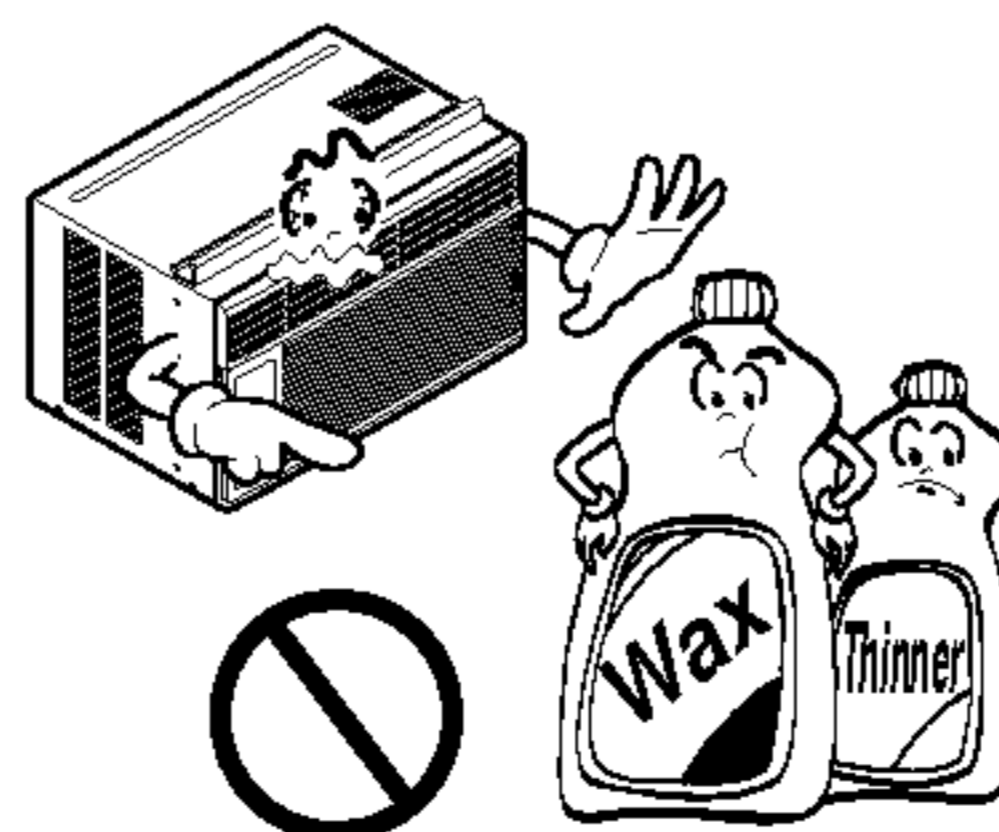
Always insert the filter securely. Clean it every two weeks.

- Operation without filters will cause failure.



Use a soft cloth to clean. Do not use wax, thinner, or a strong detergent.

- The appearance of the air conditioner may deteriorate, change color, or develop surface flaws.



Do not drink water drained from air conditioner. / Do not direct airflow at room occupants only.

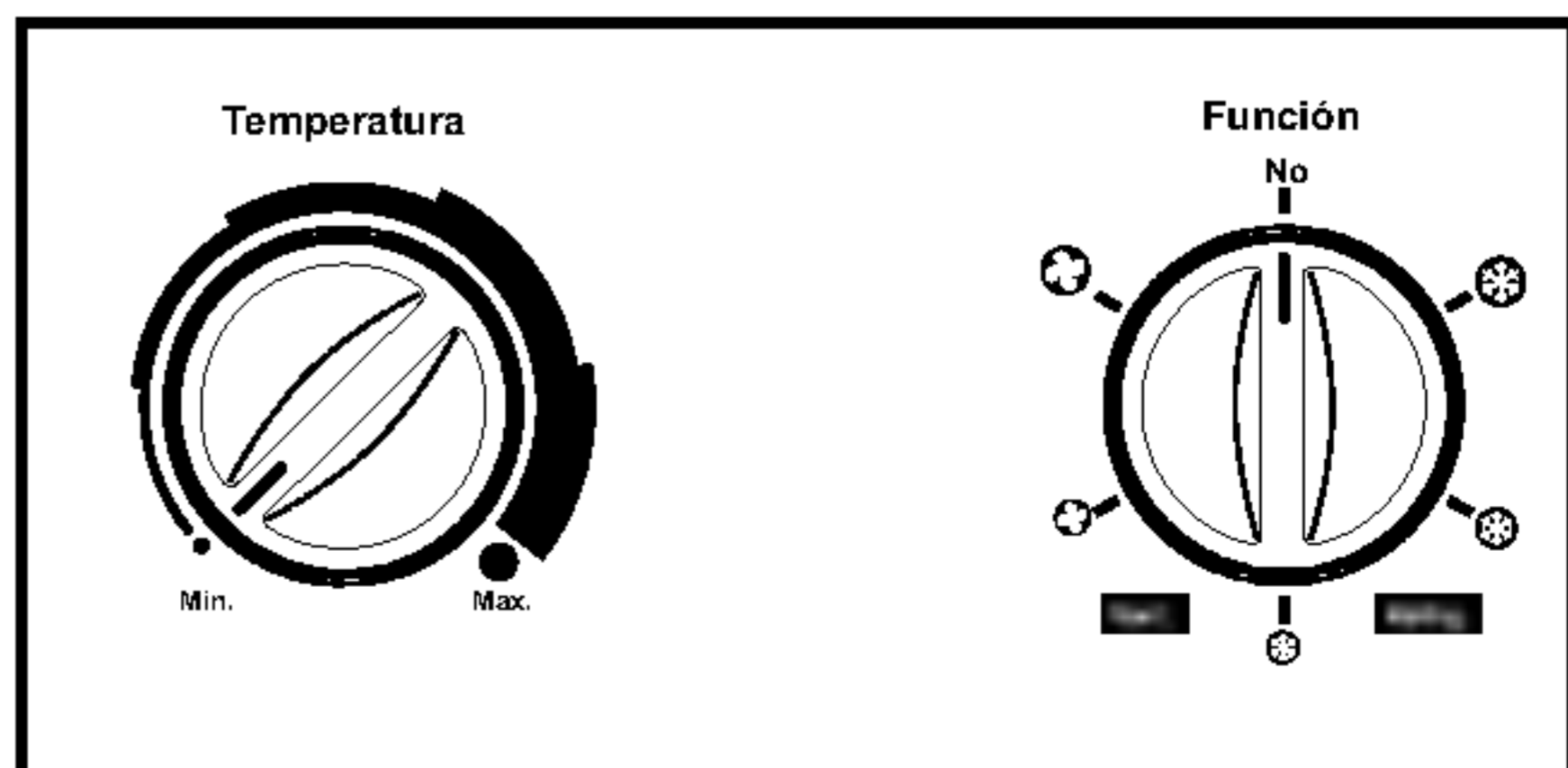
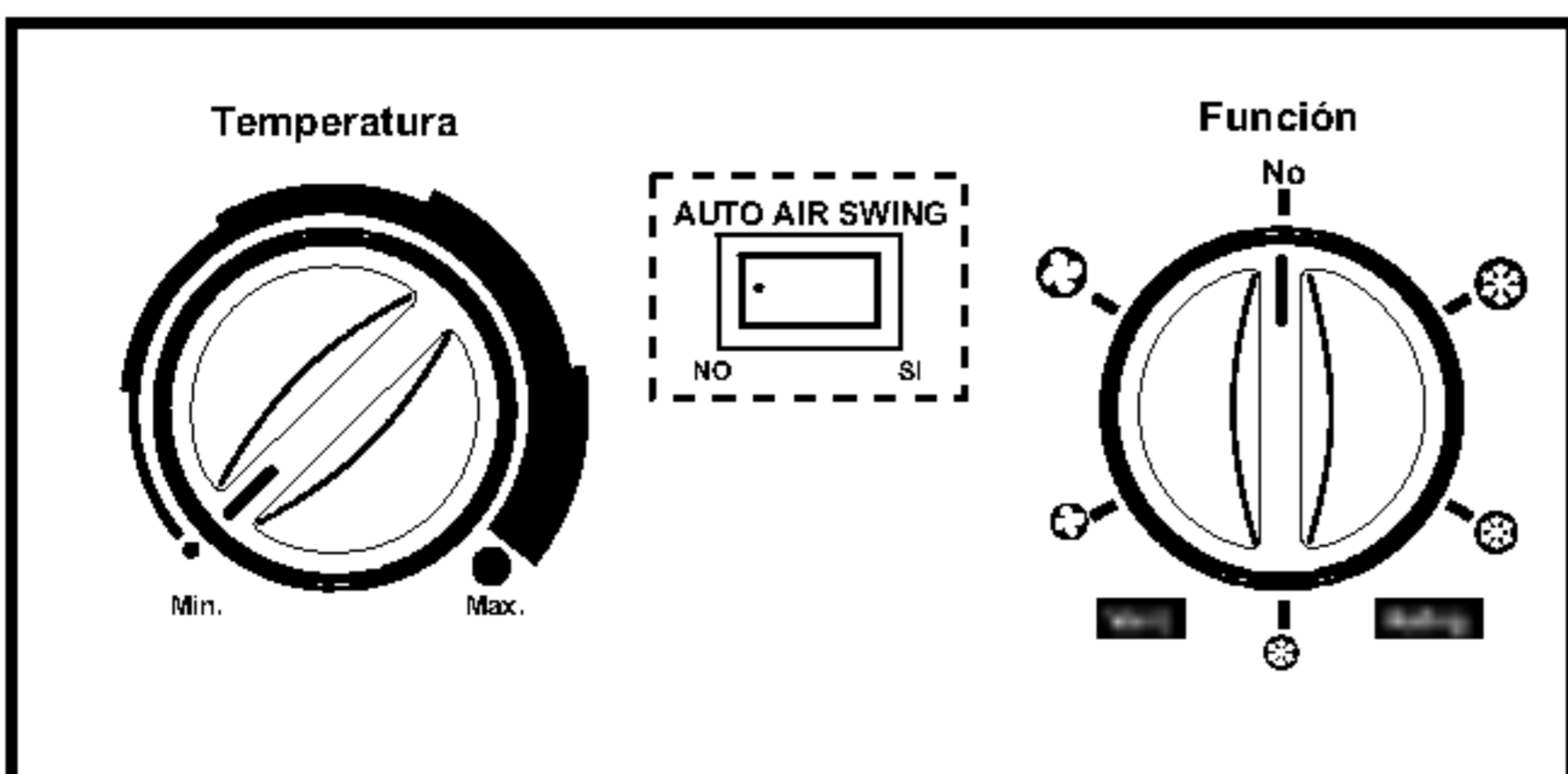
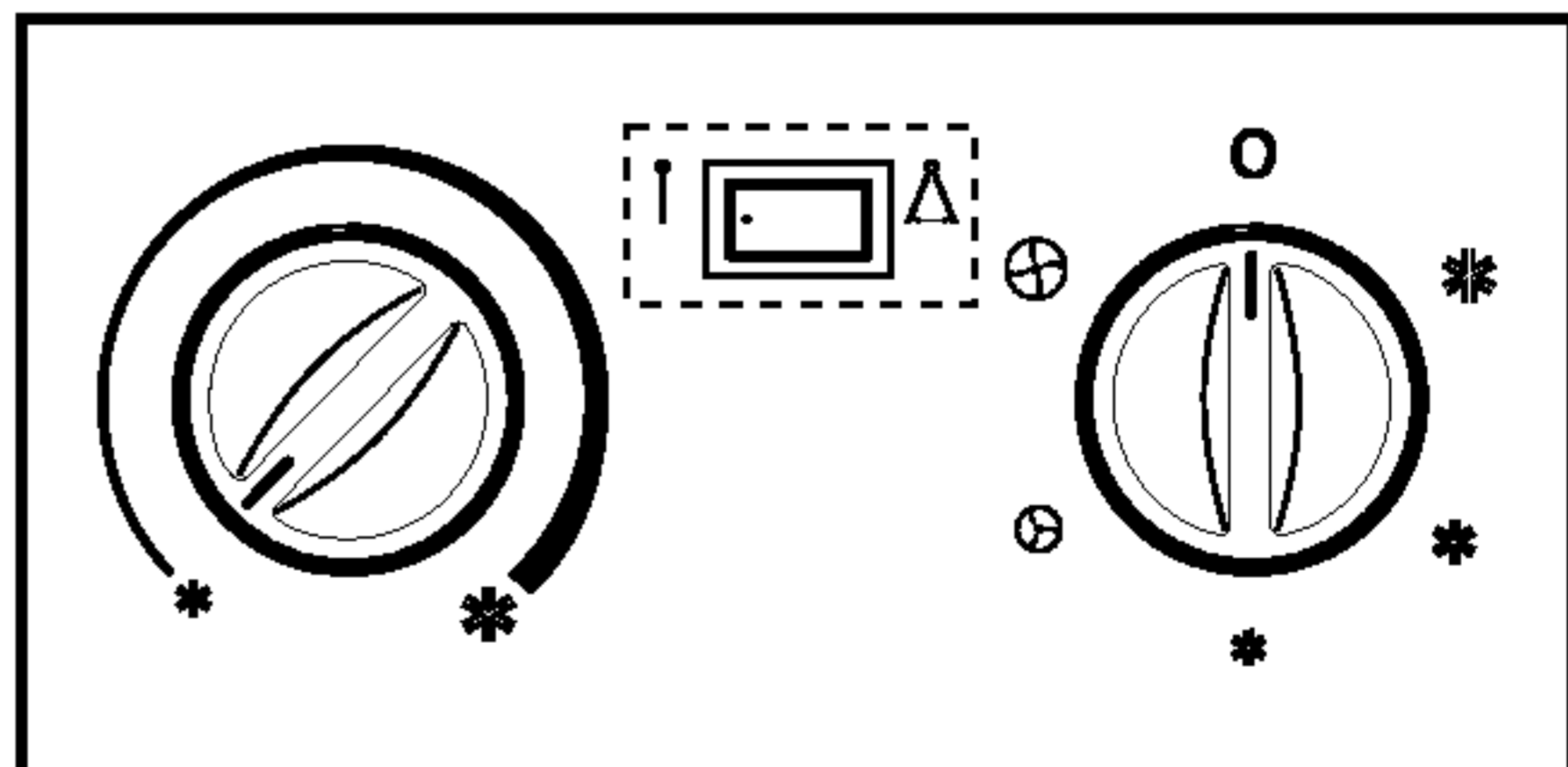
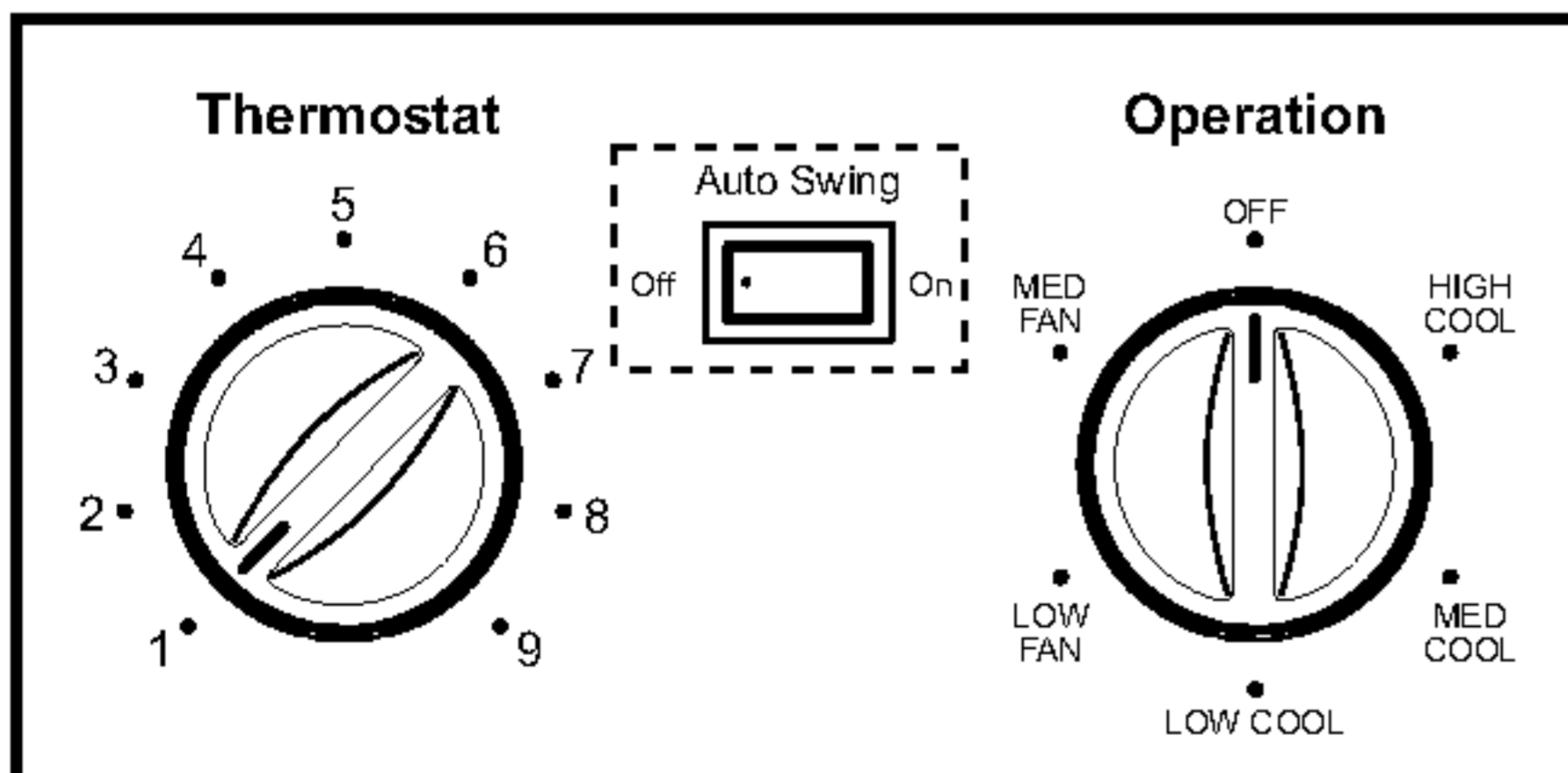
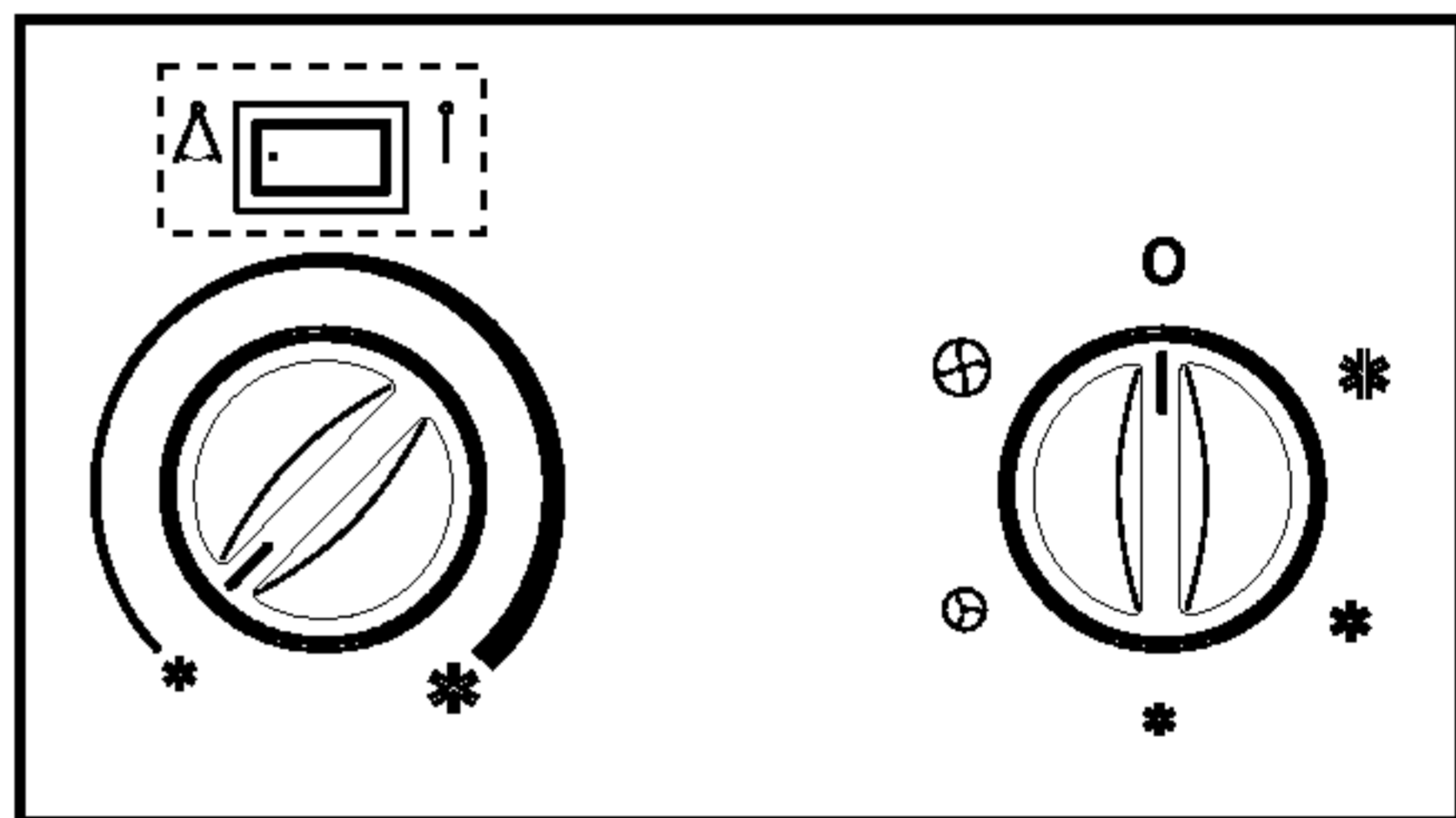
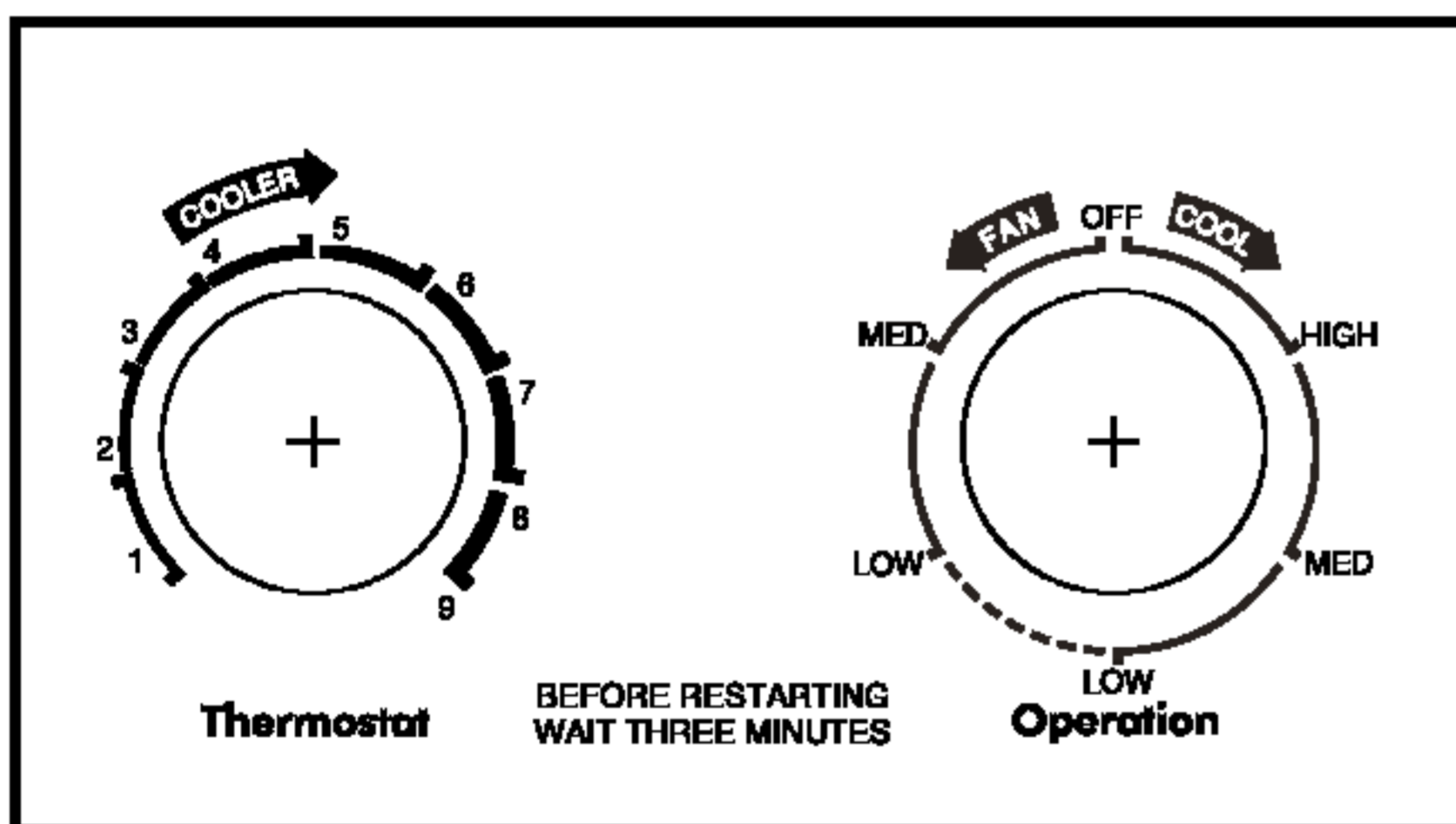
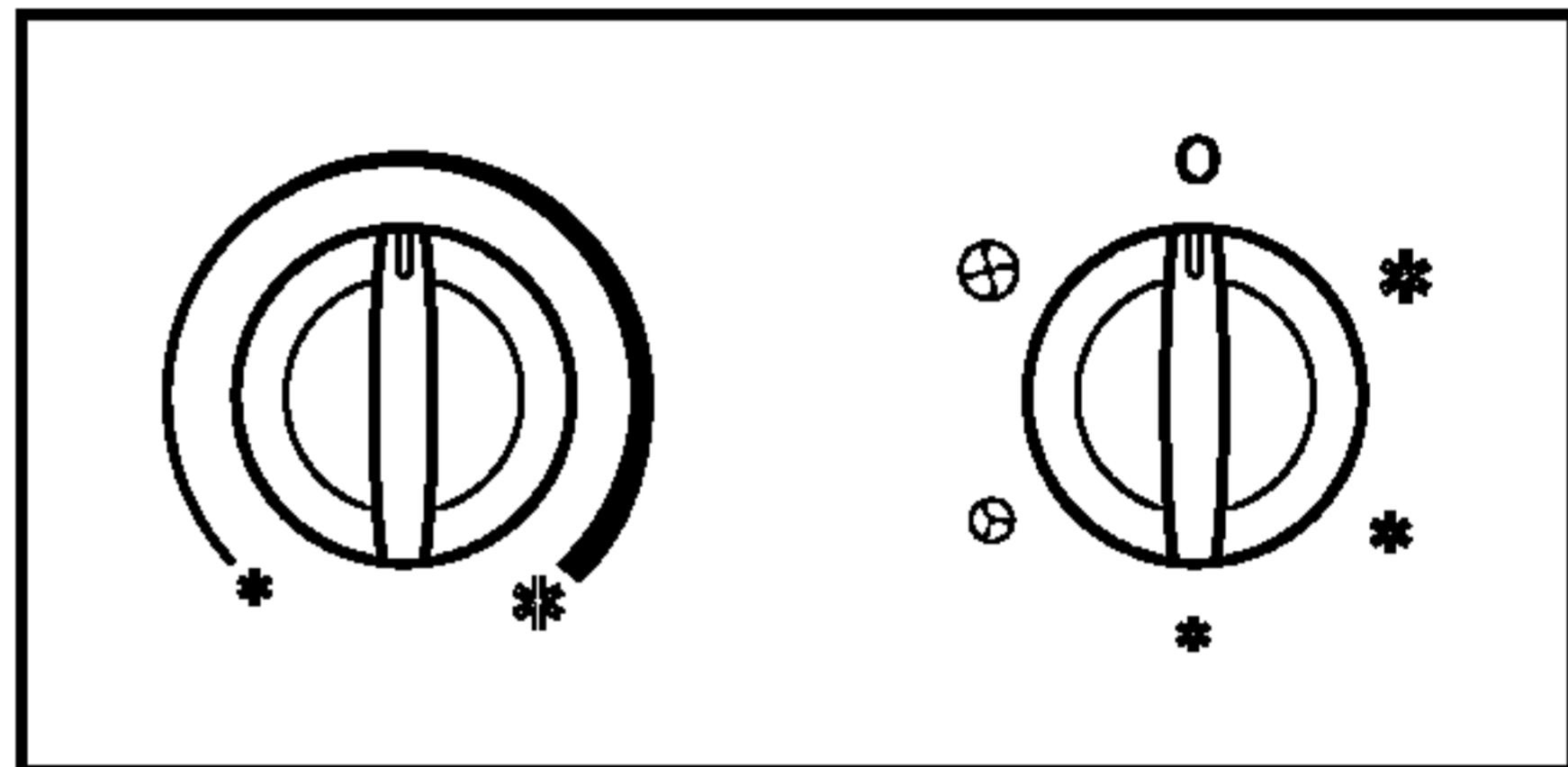
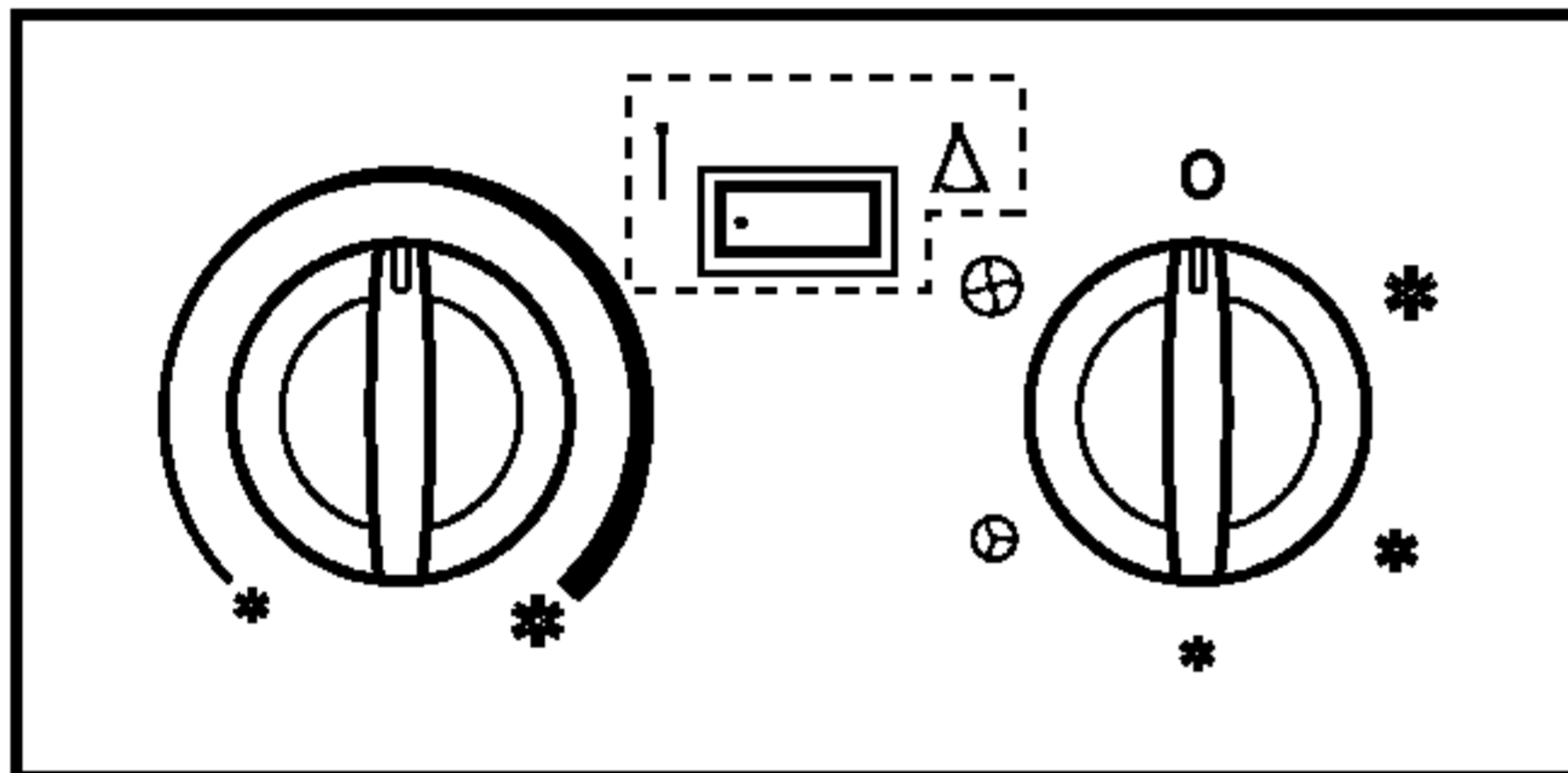
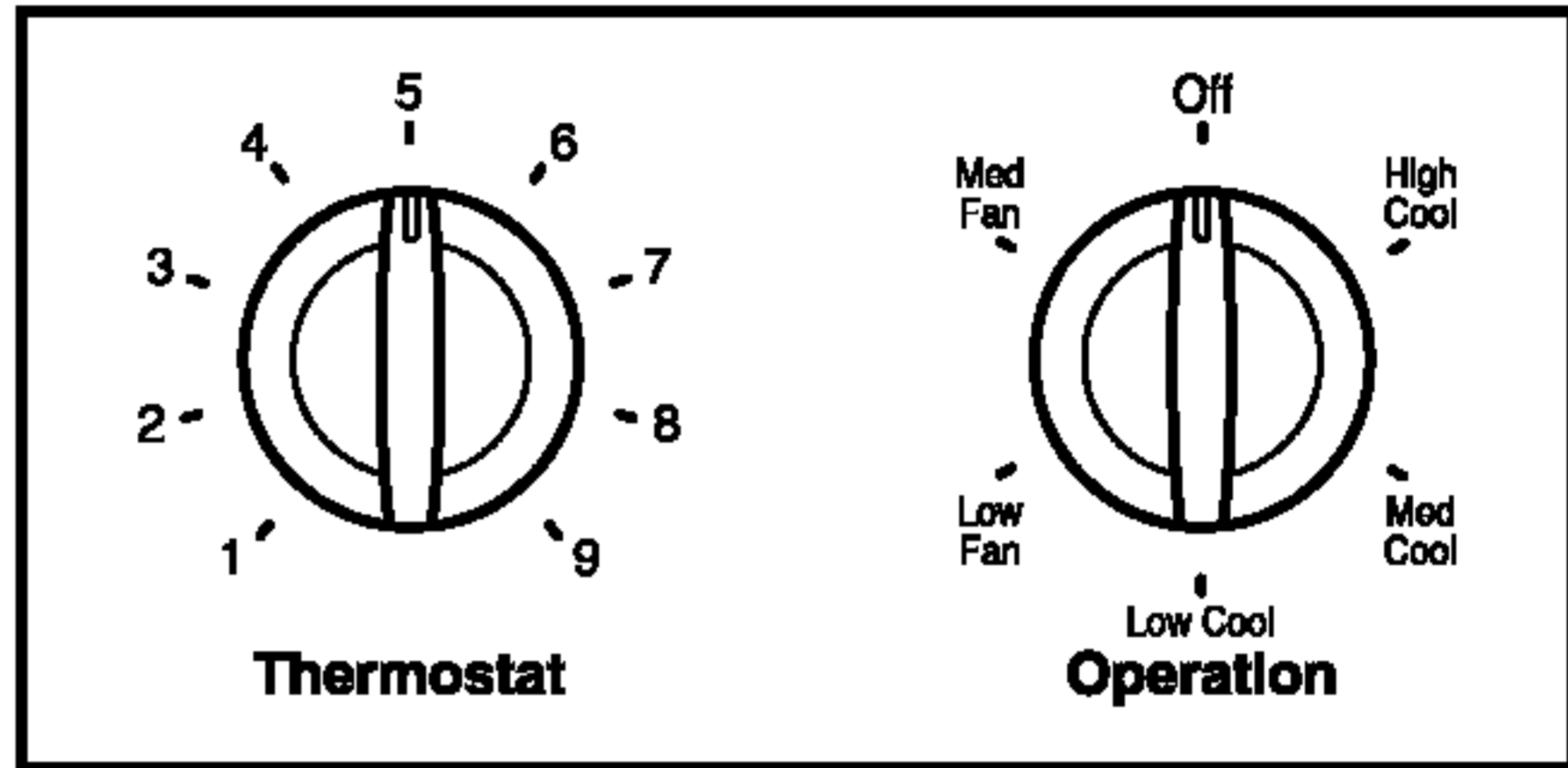
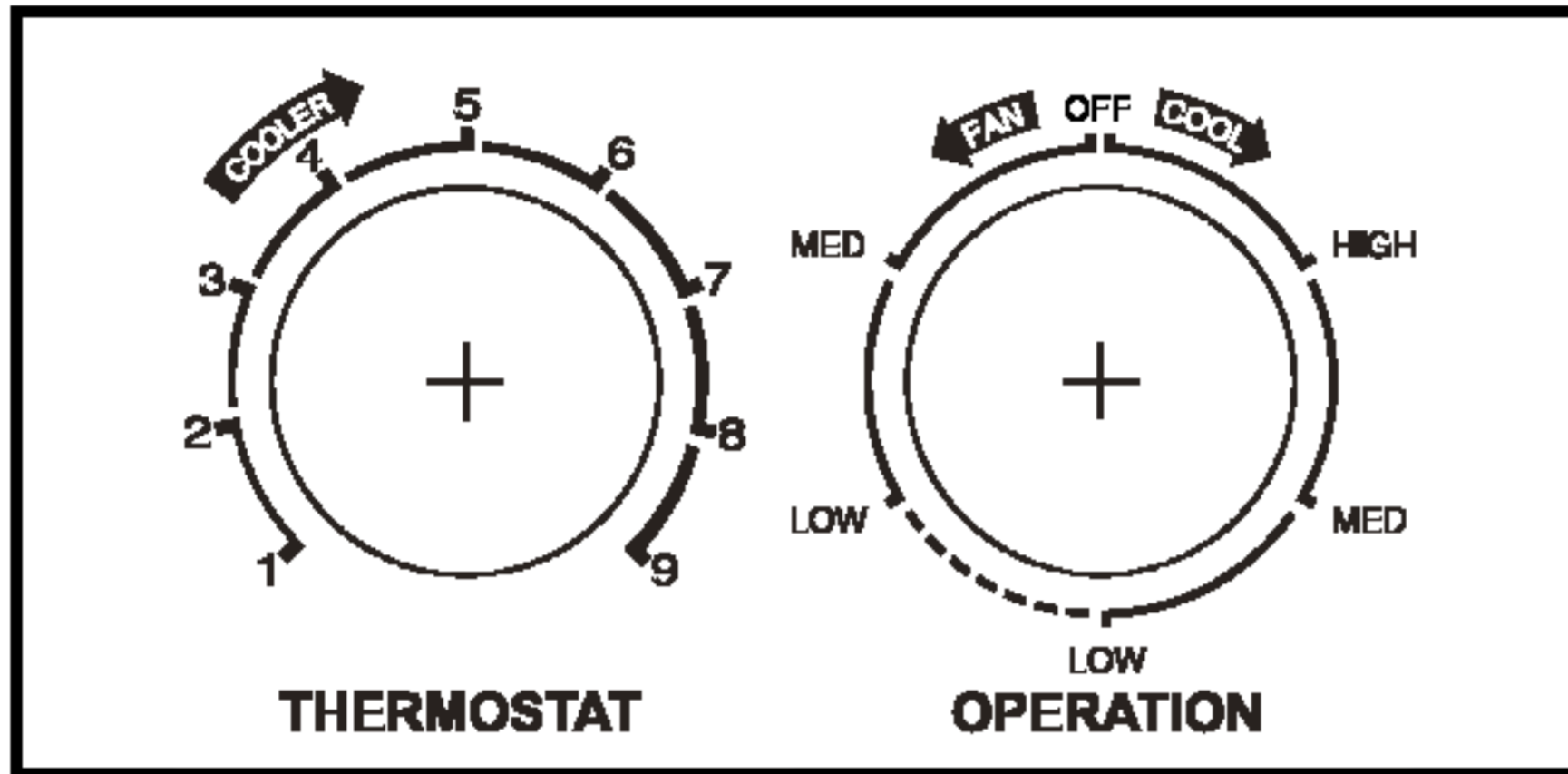
- It contains contaminants and will make you sick. / This could damage your health.



Controls

The controls will look like one of the following.

NOTICE  : Optional



■ OPERATION

High Cool (❄), Med Cool (❄) and

Low Cool (❄) provide cooling with different fan speeds. Med Fan (⌚) or Low Fan (⌚) provides air circulation and filtering without cooling. Off (○) turns the air conditioner off.

NOTICE : If you move the switch from a cool setting to off or to a fan setting, wait at least 3 minutes before switching back to a cool setting.

Cooling Descriptions

For Normal Cooling- Select High Cool or Med Cool with the Operation knob at the midpoint of Thermostat knob.

For Maximum Cooling- Select High Cool with the Operation knob at the highest number available on your Thermostat knob.

For Quieter & Nighttime Cooling- Select Low Cool with the Operation knob at the midpoint of Thermostat knob.

■ THERMOSTAT

The THERMOSTAT is used to maintain the room temperature. The compressor will cycle on and off to keep the room at the same level of comfort. When you turn the knob to a higher number(the right side) and the indoor air will become cooler.

The 5 or 6 position (the middle position of arc) is a normal setting for average conditions.

■ AUTO SWING (Optional)

Auto swing switch controls the horizontal air direction by air swing system (not on all models).

ON (⚙) : Auto swing is operated.

OFF (⚙) : Auto swing is not operated.

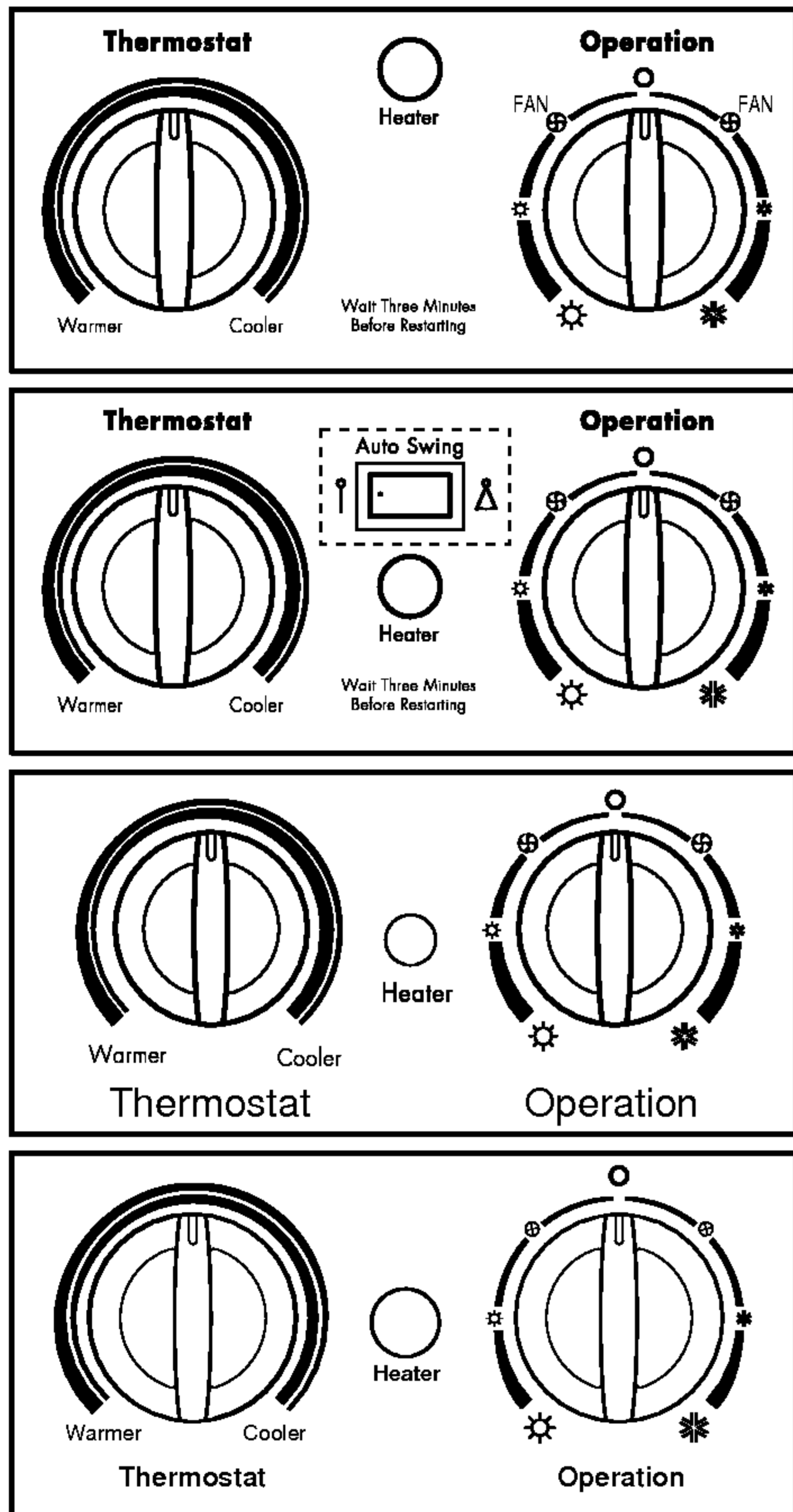


CAUTION: When the air conditioner has been performed its cooling operation and is turned off or set to the fan position, wait at least 3 minutes before resetting to the cooling operation again.

Controls

The controls will look like one of the following.

NOTICE [] : Optional



■ AUTO SWING (Optional)

ON (▲) : Air swing is operated while OPERATION knob is set to the COOL or HEAT position.

OFF (↑) : Stops the operation of air swing.

■ THERMOSTAT

Turn the thermostat control to the desired setting. The control position is a normal setting for average conditions. You can change this setting, if necessary, in accordance with your temperature preference.

The thermostat automatically controls cooling or heating, but the fan runs continuously whenever the air conditioner is in operation. If the room is too warm, turn the thermostat control clockwise. If the room is too cool, turn the thermostat control counterclockwise.

■ HEATER (☀) LAMP

When the unit sets heating operation condition, the green lamp is lighted.

When the frost settles on the heat exchanger of the outside, defrosting is made automatically and the green lamp is turned off.

The unit may give a "hiss" and the fan motor stops for 1 to 10 minutes.

This should not be regarded as a problem.

After defrosting, the heating operation begins again.

■ OPERATION

OFF (○) : Turns the air conditioner off.

LOW FAN (⊗) : Permits the low fan speed operation without cooling (heating).

LOW COOL (✱) : Permits cooling with the low fan speed operation.

HIGH COOL (✱) : Permits cooling with the high fan speed operation.

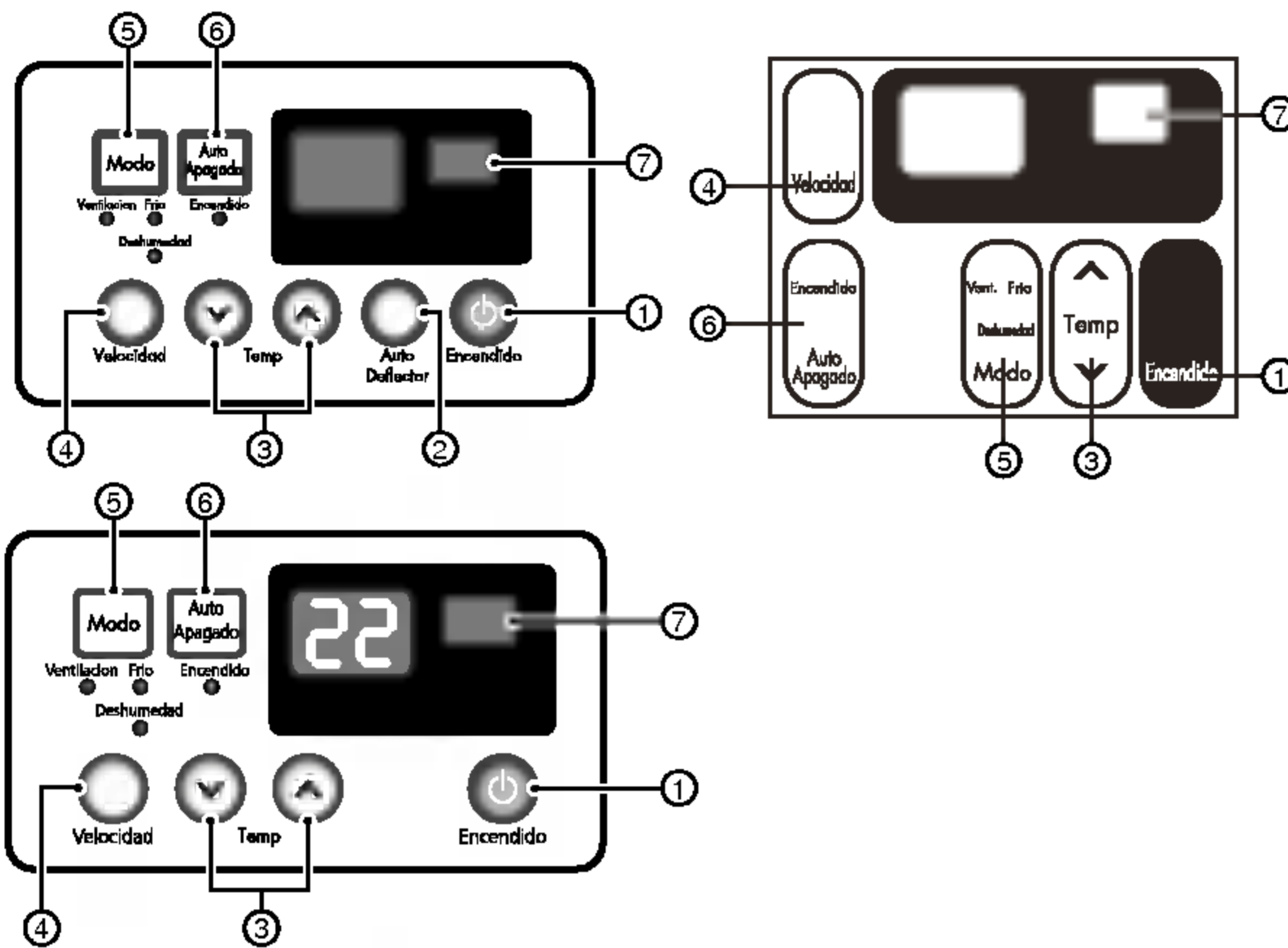
LOW HEAT (☀) : Permits heating with the low fan speed operation.

HIGH HEAT (☀) : Permits heating with the high fan speed operation.

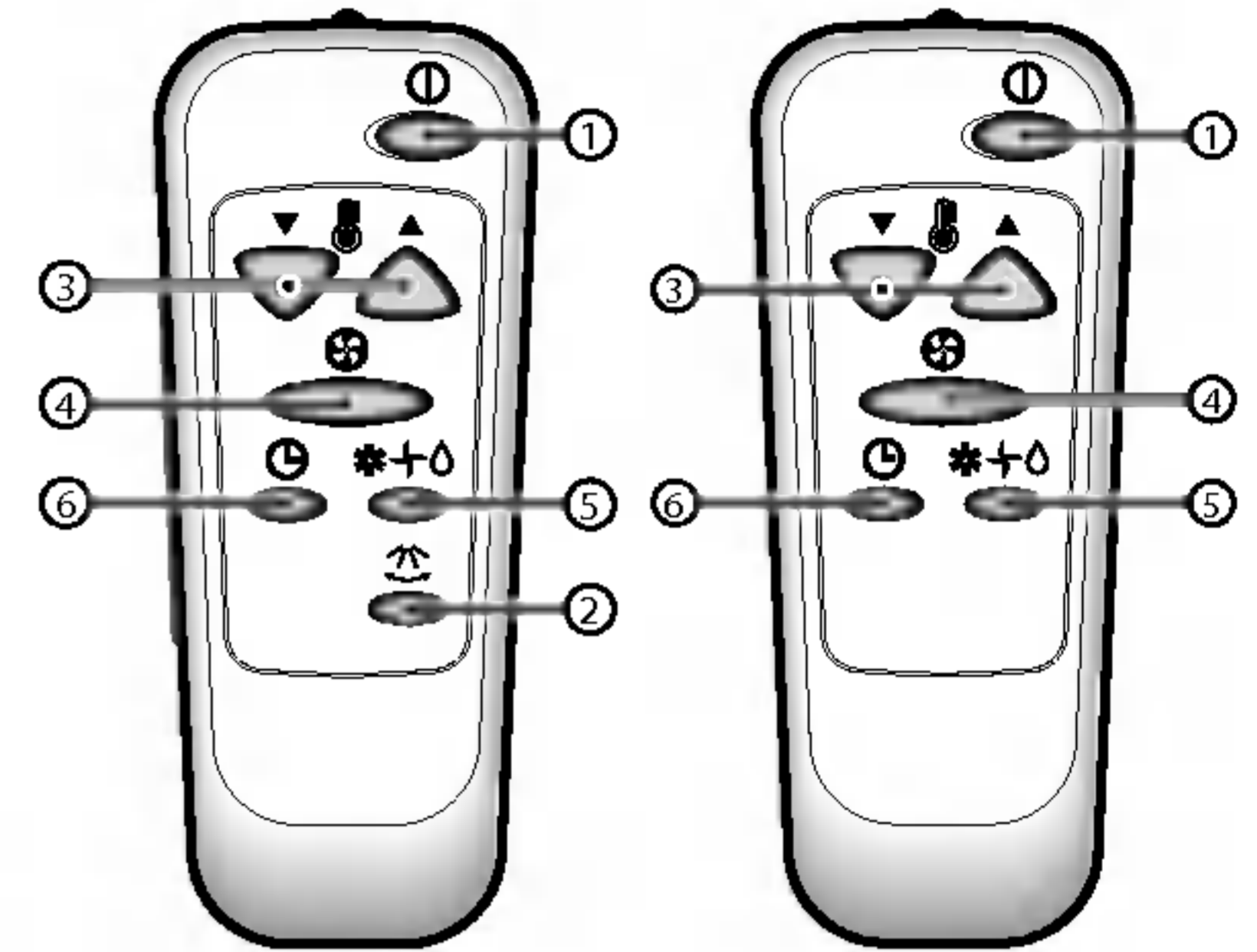


CAUTION : When the air conditioner has been performed its cooling operation and is turned off or set to the fan position, wait at least 3 minutes before resetting to the cooling operation again.

The controls will look like one of the following.



REMOTE CONTROL



Controls



CAUTION: The Remote Control unit will not function properly if strong light strikes the sensor window of the air conditioner or if there are obstacles between the Remote Control unit and the air conditioner.

1. POWER BUTTON

Operation starts, when this button is pressed and stops when you press the button again.

2. AUTO SWING (Optional)

The vertical louver swings horizontally by the automatic system and stops when you press the button again.

3. ROOM TEMPERATURE SETTING BUTTON

Control the room temperature within a range of 16°C to 30°C.

4. FAN SPEED SELECTOR

Select the fan speed in three steps {High[F3] → Low[F1] → Med[F2] → High[F3]...}.

5. OPERATION MODE SELECTION BUTTON

Select Cooling, Fan, or Dehumidification mode with this button.

6. ON/OFF TIMER BUTTON

Set the time of starting and stopping operation. The timer is set by 1 hour.

7. SIGNAL RECEIVER

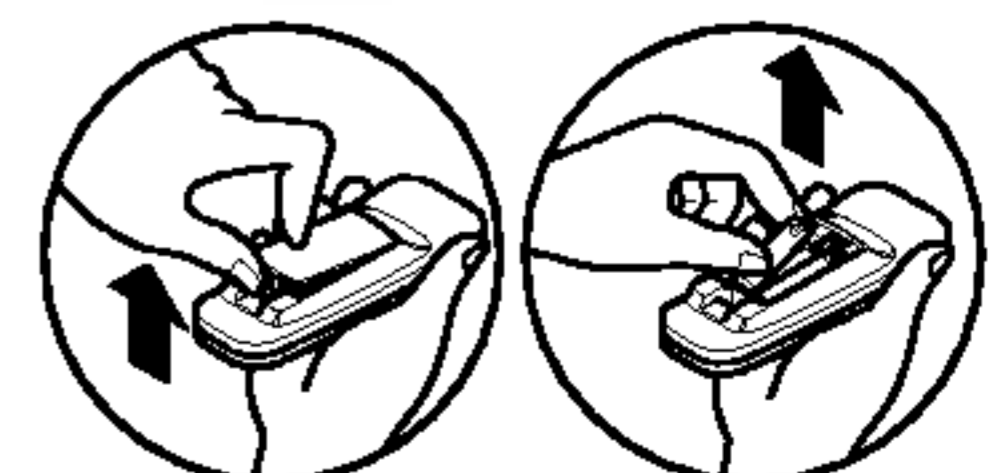
AUTO RESTART

In failure of electric power, the unit runs as previous setting operation.

How to Insert the Batteries

1. Remove the cover from the back of the remote controller.
2. Insert the two batteries.
3. Re-attach the cover.

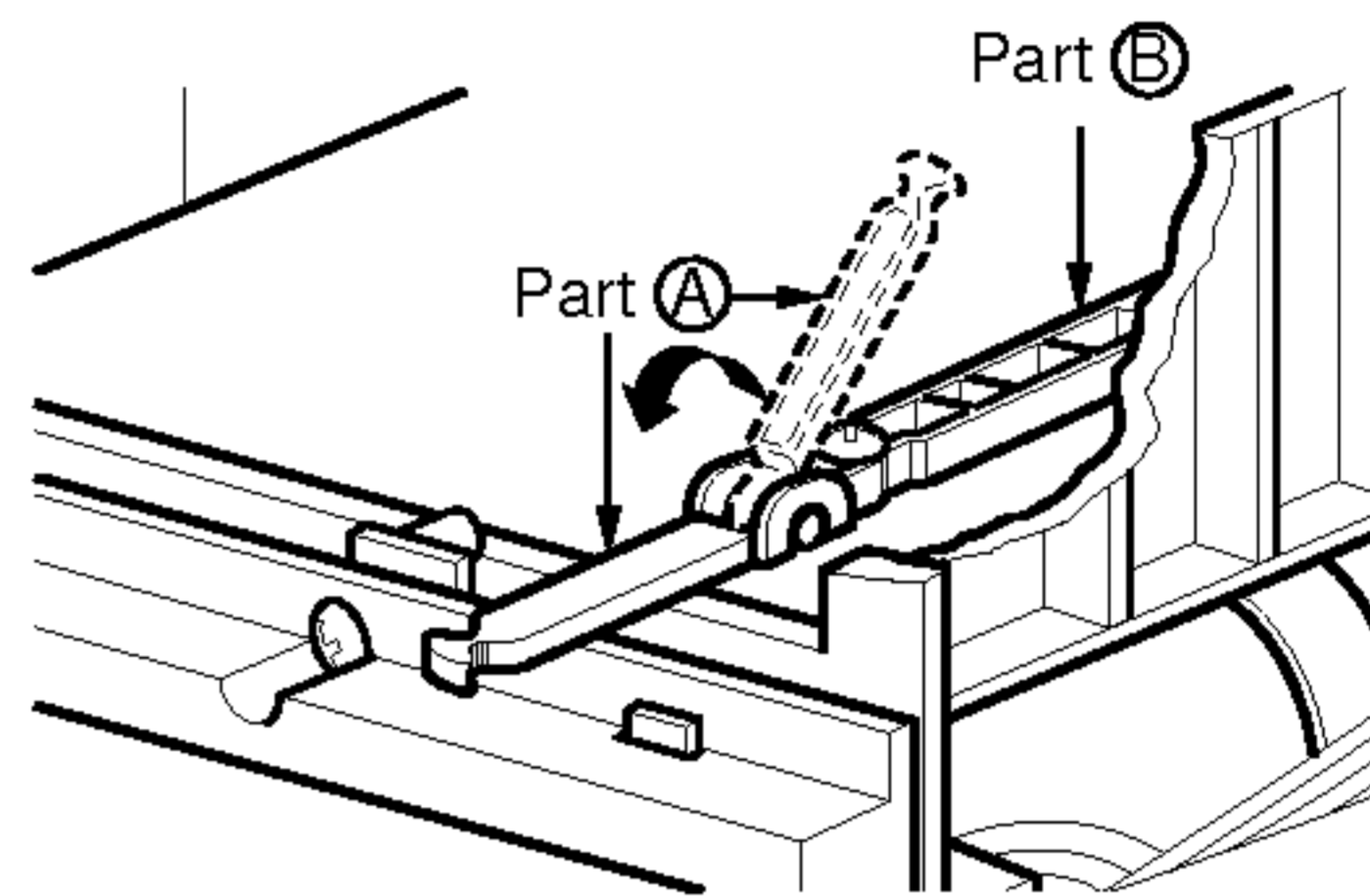
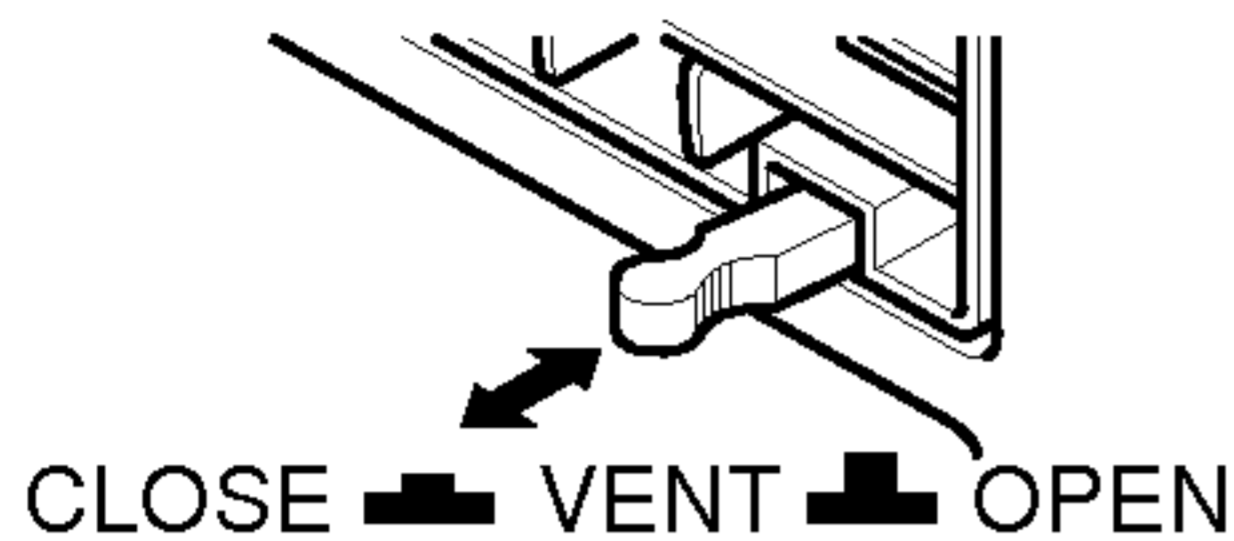
- Do not use rechargeable batteries, such batteries differ from standard dry cells in shape, dimensions, and performance.
- Remove the batteries from the remote controller if the air conditioner is not going to be used for an extended length of time.



Additional controls and important information.

Ventilation

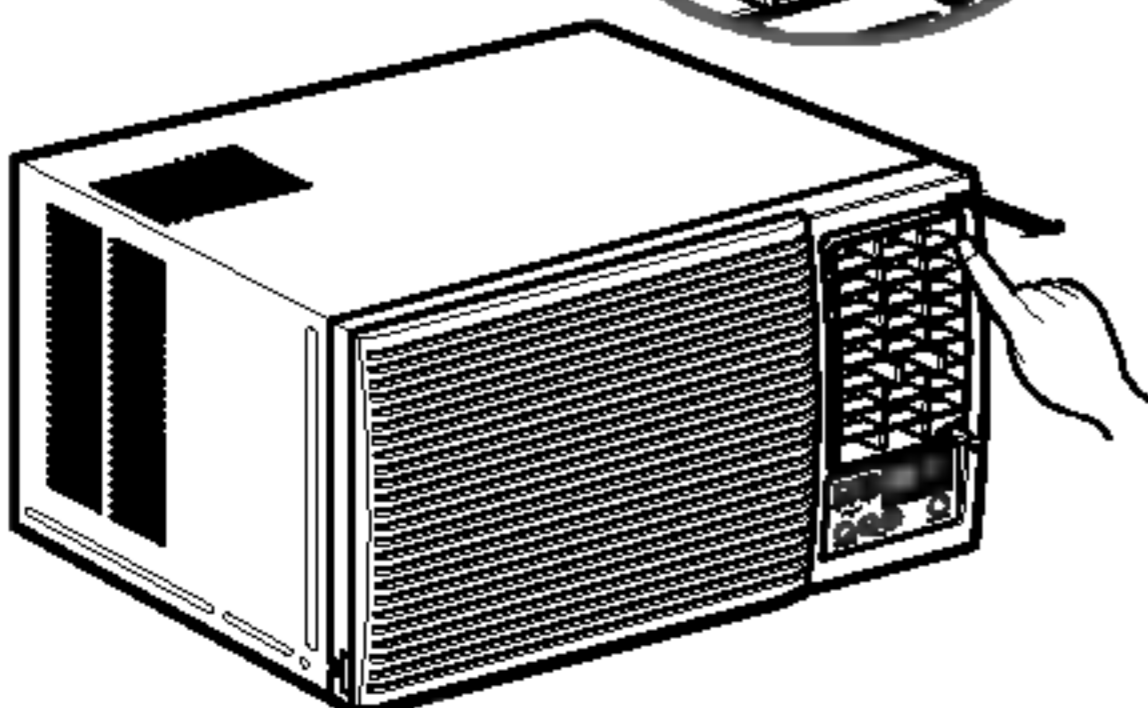
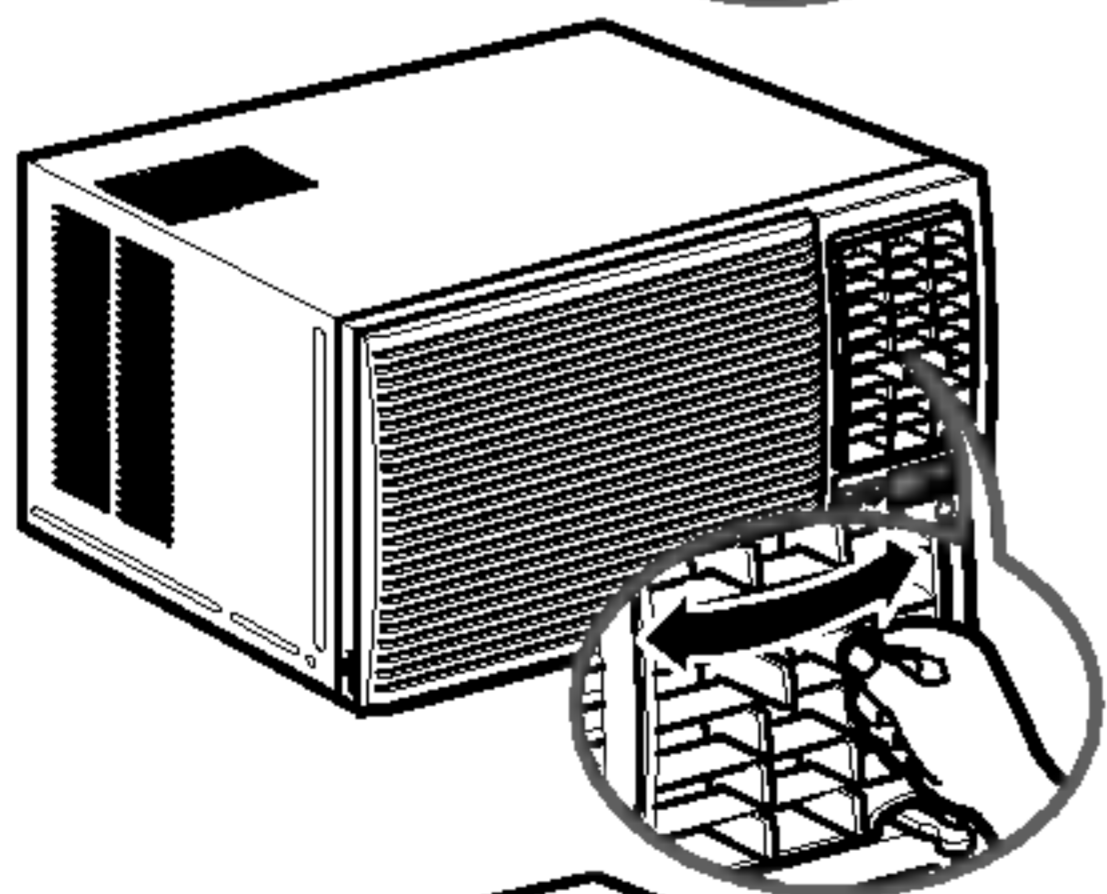
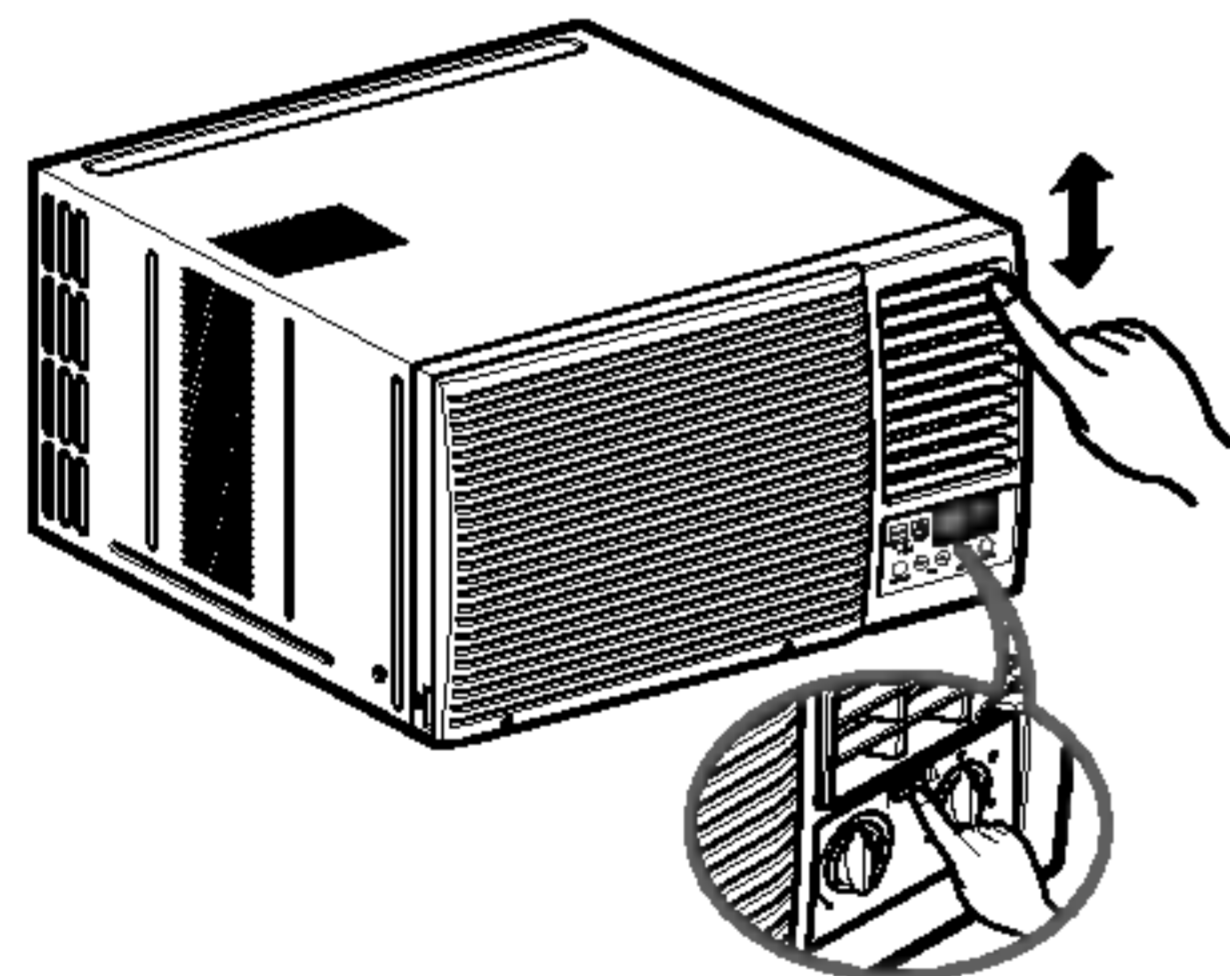
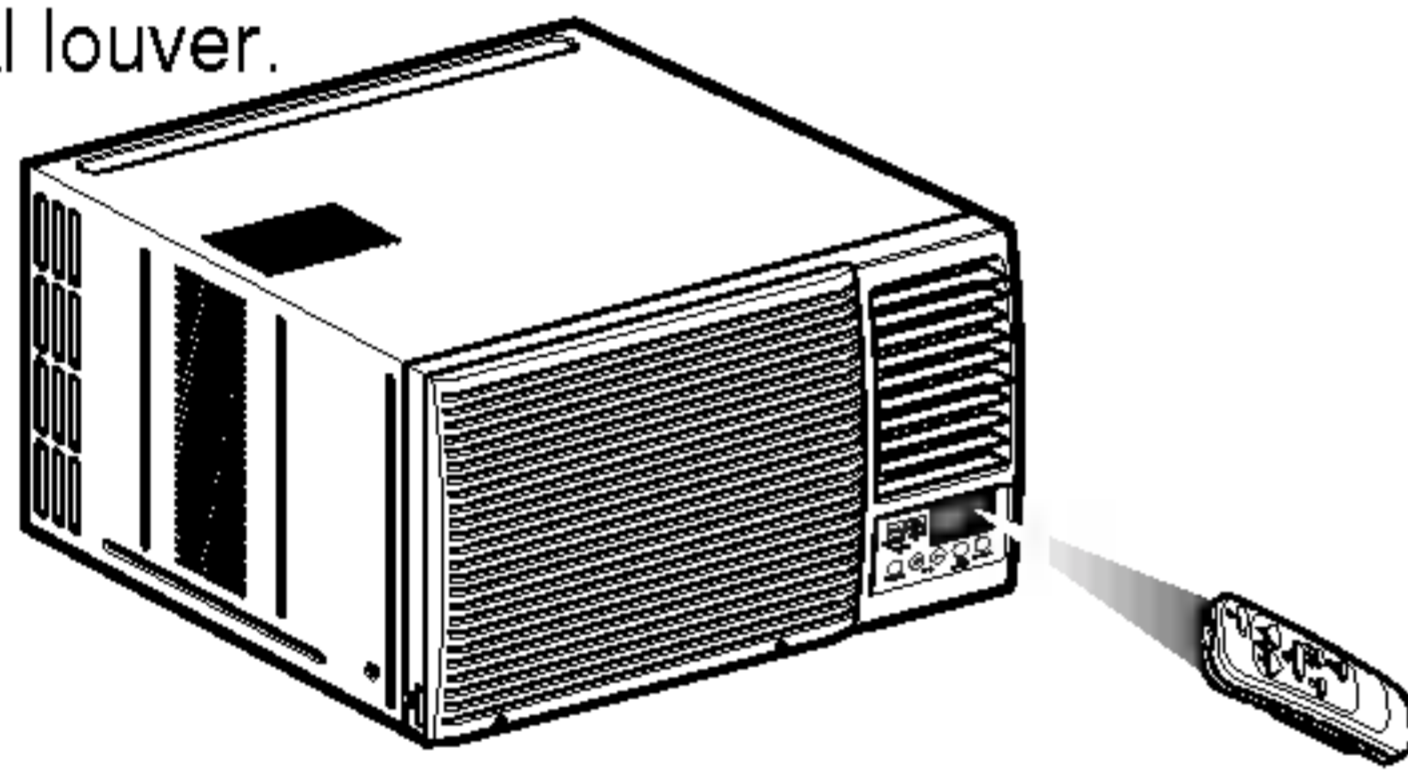
The ventilation lever must be in the CLOSE position in order to maintain the best cooling conditions. When fresh air is necessary in the room, set the ventilation lever to the OPEN position. The damper is opened and room air is drawn out.



NOTICE : Before using the ventilation feature, position the lever, as shown. First, pull down part ① to horizontal line with part ②.

Air Direction

The direction of air can be controlled whenever you want to cool by adjusting the horizontal louver and the vertical louver.



- **HORIZONTAL AIR DIRECTION CONTROL**

To control horizontal direction of air flow, press the air flow direction control button and the air flow will be swept horizontally by the automatic air-swing system. If you want to stop the air flow from moving, press the button again at the desired position of the vane.

- **VERTICAL AIR-DIRECTION CONTROL**

The vertical air direction is adjusted by moving the horizontal louver.

- **Auto Swing Models**

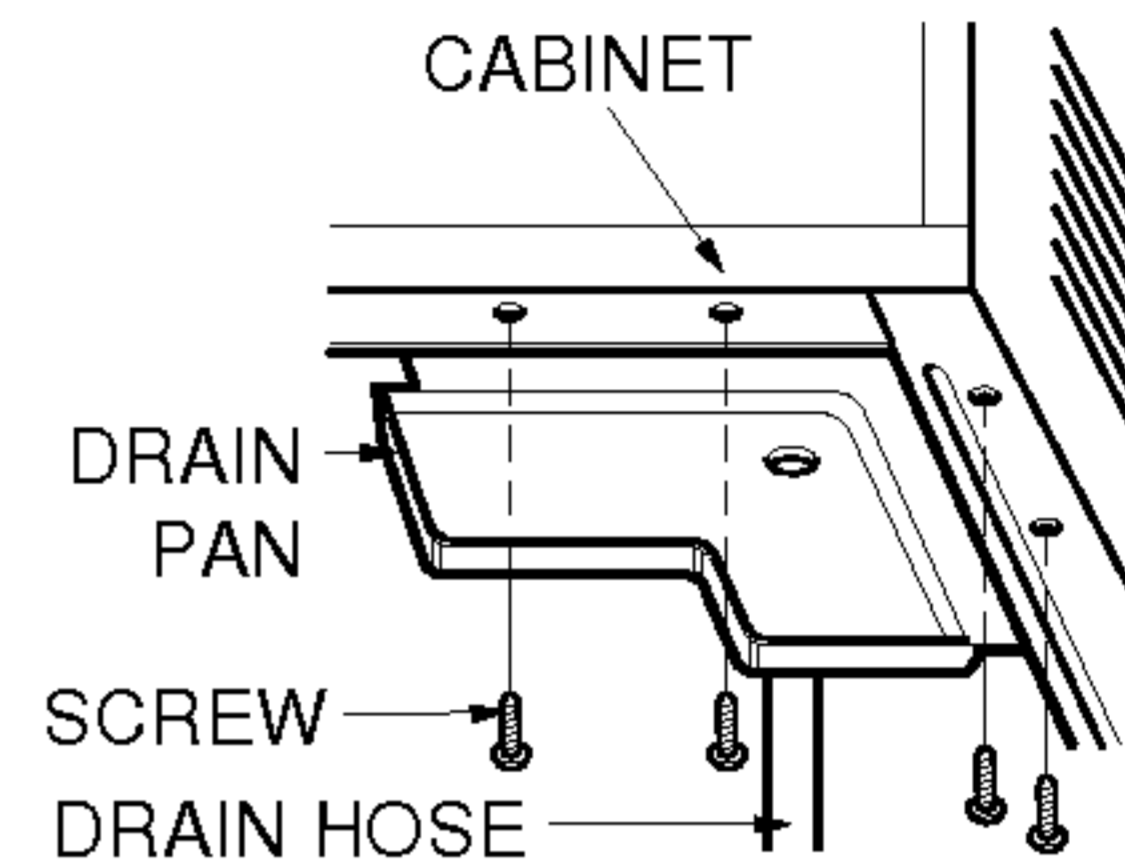
The horizontal air direction is automatically controlled by setting the AUTO SWING switch to the ON position.

How to Attach Drain Pan (Some Models)

The air conditioner employs a proper drain method whereby the condensed water (moisture removed from the air) is drained to the outside.

In very humid weather, (and for reverse cycle models in the reverse mode) excessive condensate water removed from the air may cause some water to collect. To remove this excess water you can install the drain pan as detailed below.

1. Take the drain pan which is located in the air discharge.
2. Remove the hole rubber from the base-pan (for some models).
3. Install the drain pan to the right corner of the cabinet with 4 (or 2) screws.
4. Connect the drain hose to the outlet located at the bottom of the drain pan. You can purchase the drain hose or tubing locally to satisfy your particular needs. (Drain hose is not supplied).



How to Connect a Drain Hose

A drain hole is provided at the rear of the air conditioner unit.

Select a drain method according to the following.

1. Remove the hole rubber from the base-pan. (for some models)
2. Connect a drain hose to the drain pipe as shown in Fig. 1.
3. Or connect a pipe elbow to the drain pipe, then connect a drain hose to the pipe elbow as shown in Fig. 2.

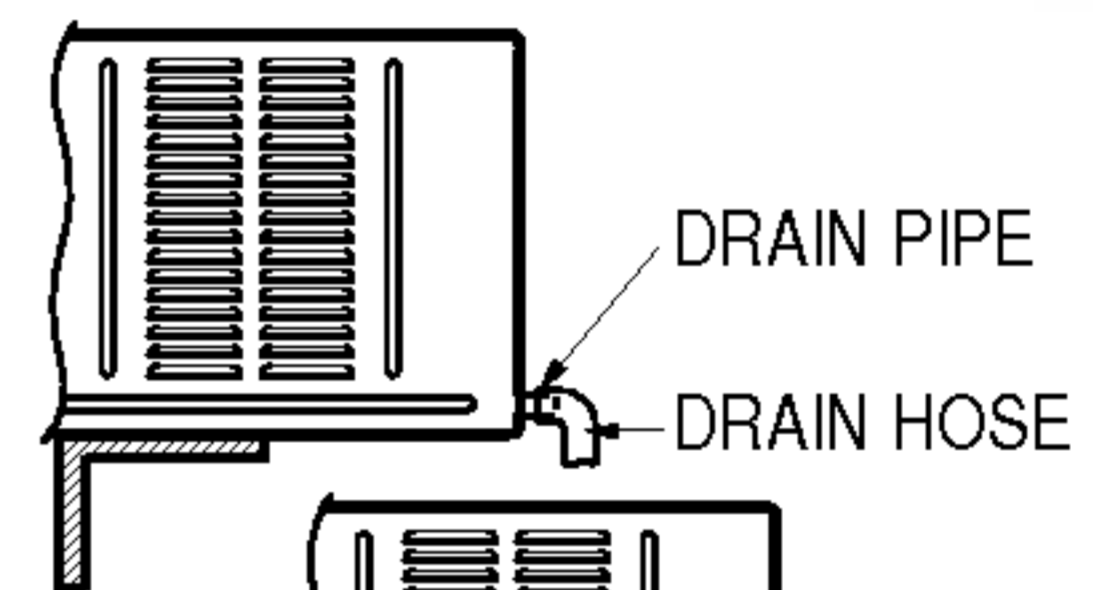


Fig. 1

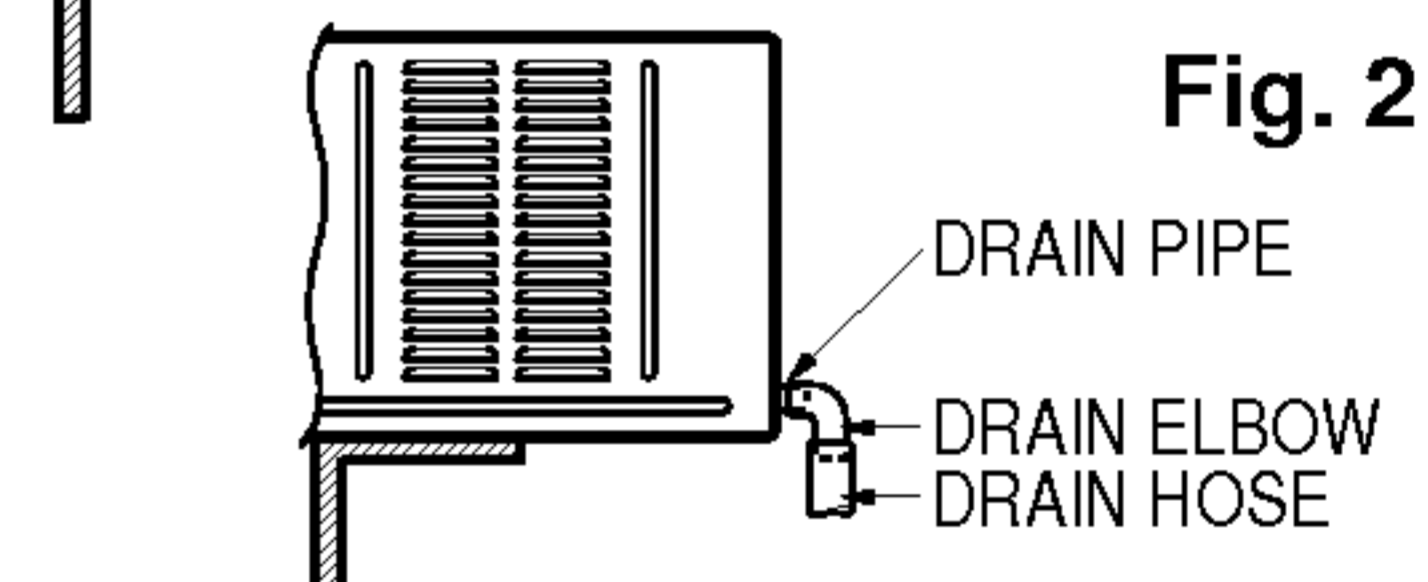


Fig. 2

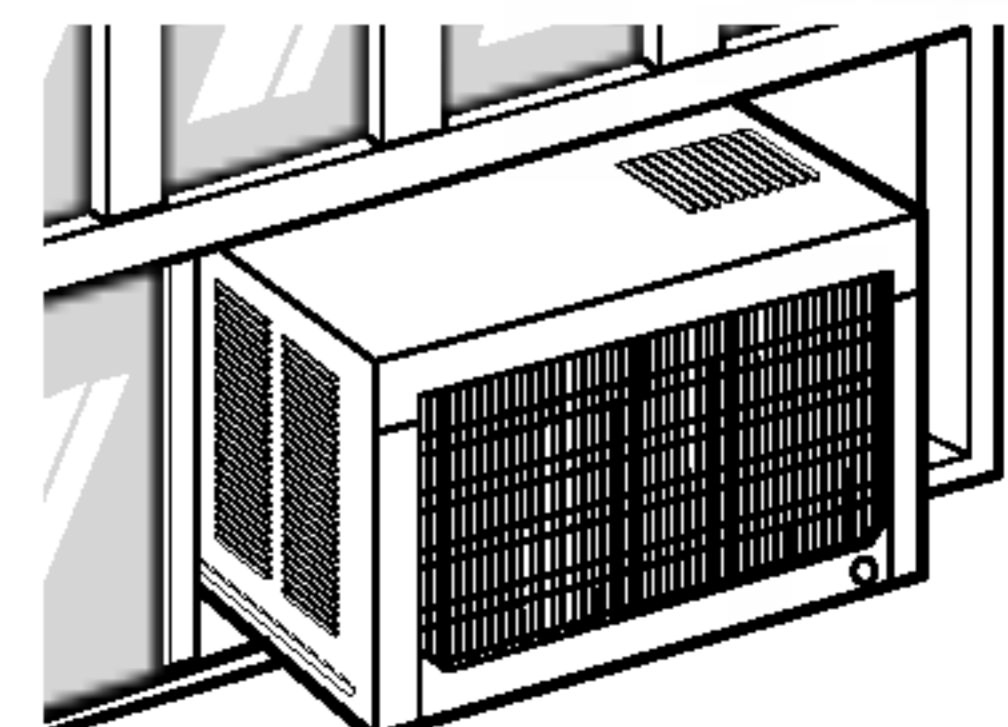
Operating Instructions

Adjusting the Air Flow Direction

TURN THE AIR CONDITIONER OFF AND REMOVE THE PLUG FROM THE POWER OUTLET.

Outdoor Coils

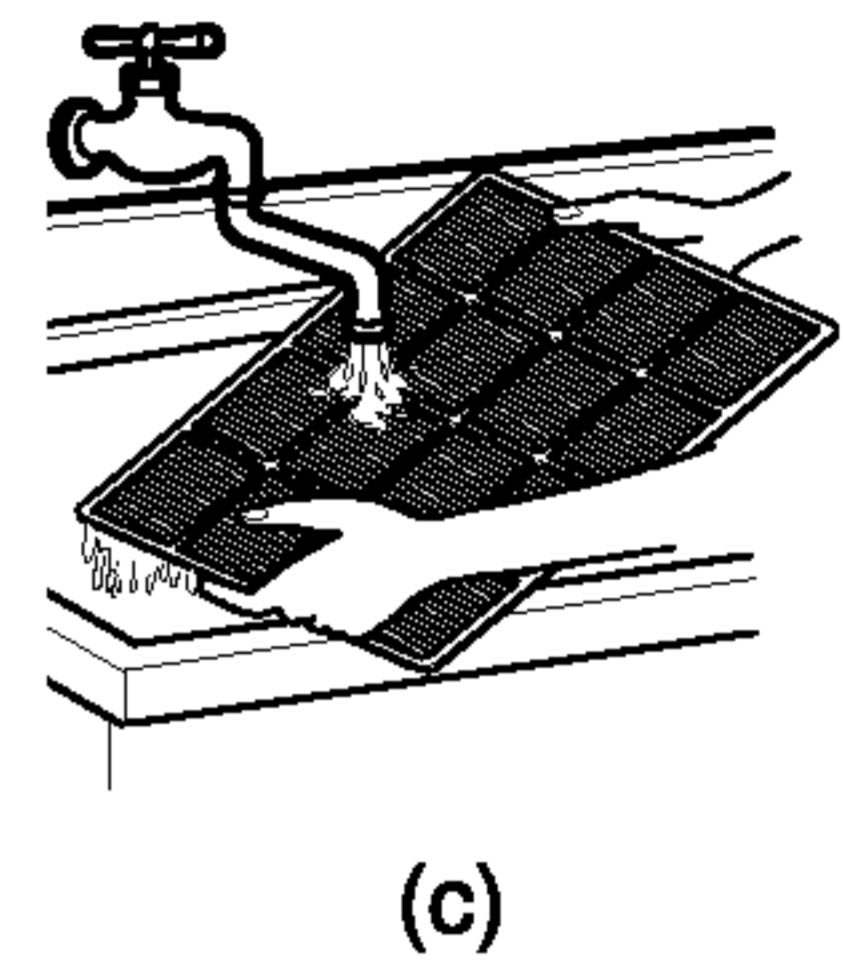
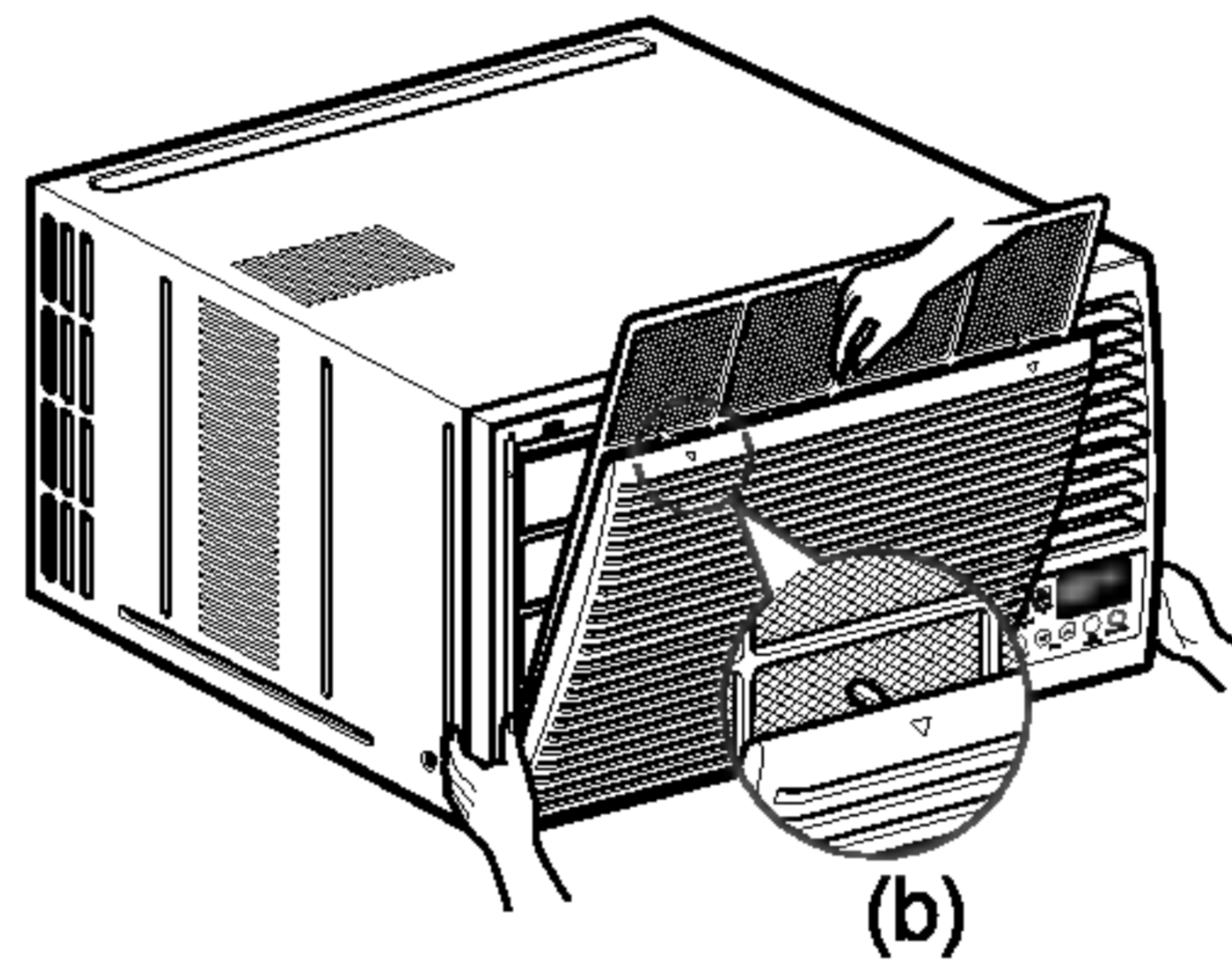
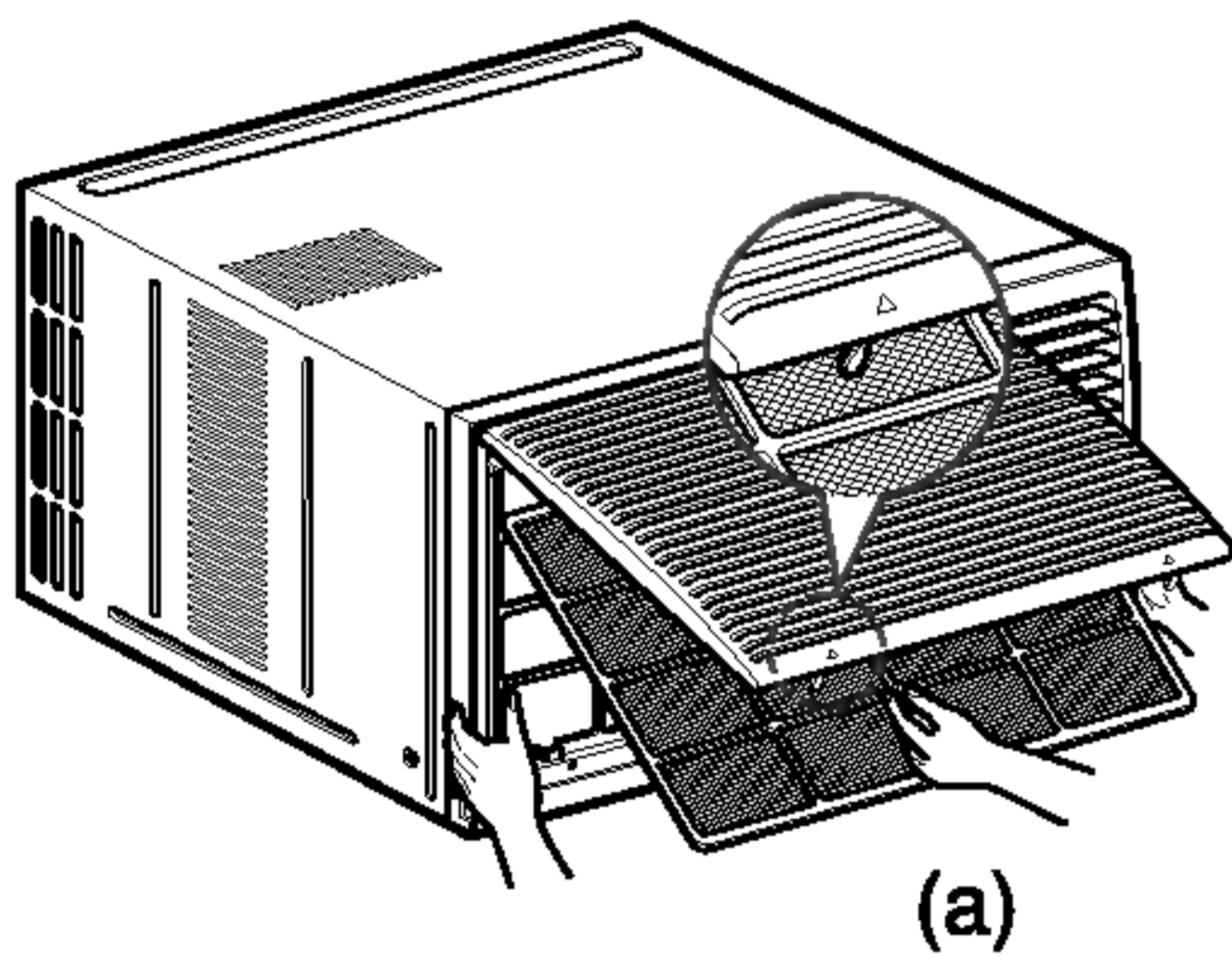
The coils on the outdoor side of the air conditioner should be checked regularly. If they are clogged with dirt or soot they may be professionally steam cleaned, a service available through a dealer.



Air Filter Cleaning

The air filter should be checked at least twice a month to see if cleaning is necessary. Trapped particles in the filter will build up and block the airflow. This reduces the cooling capacity and also causes an accumulation of frost on the cooling coils.

1. Open the inlet grille upward by pulling out the bottom of the inlet grille.(a)
In another case, you can open the inlet grille downward by pulling out the top of the inlet grille.(b)
2. Remove the air filter from the front grille assembly by pulling the air filter up or down slightly.
3. Wash the filter using lukewarm water below 40°C (104°F).(c)
4. Gently shake the excess water from the filter completely. Replace the filter.



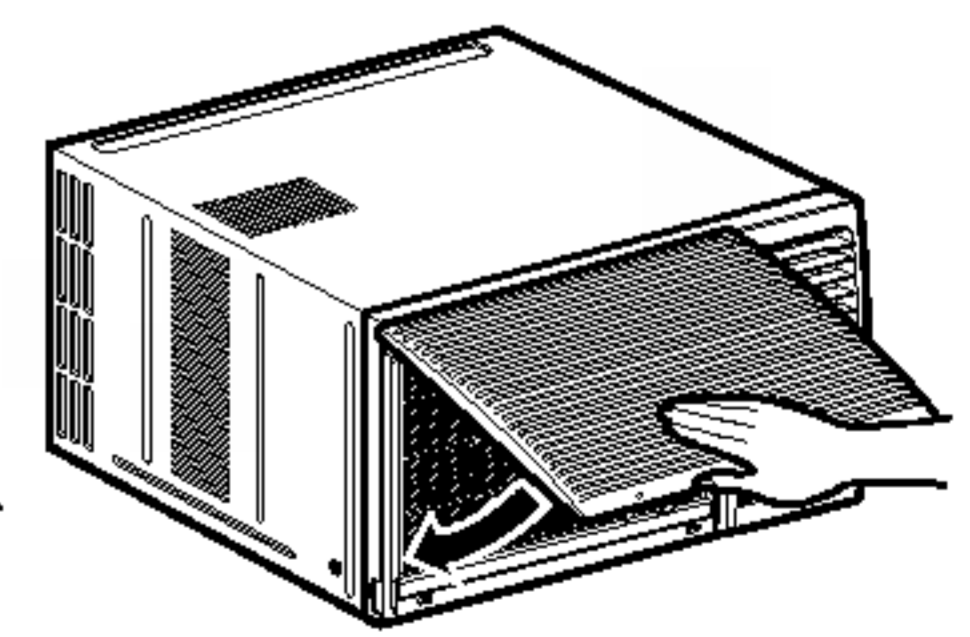
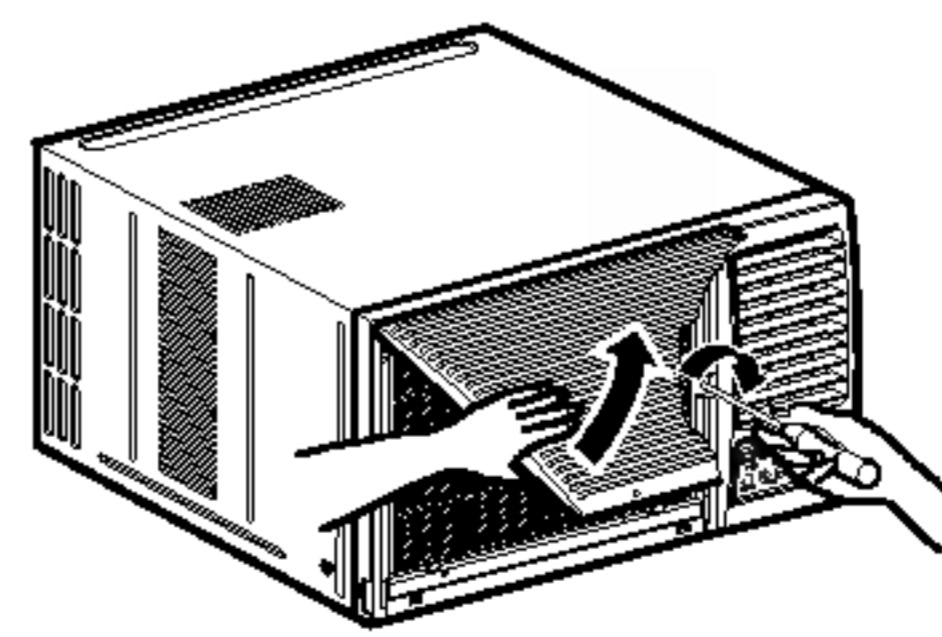
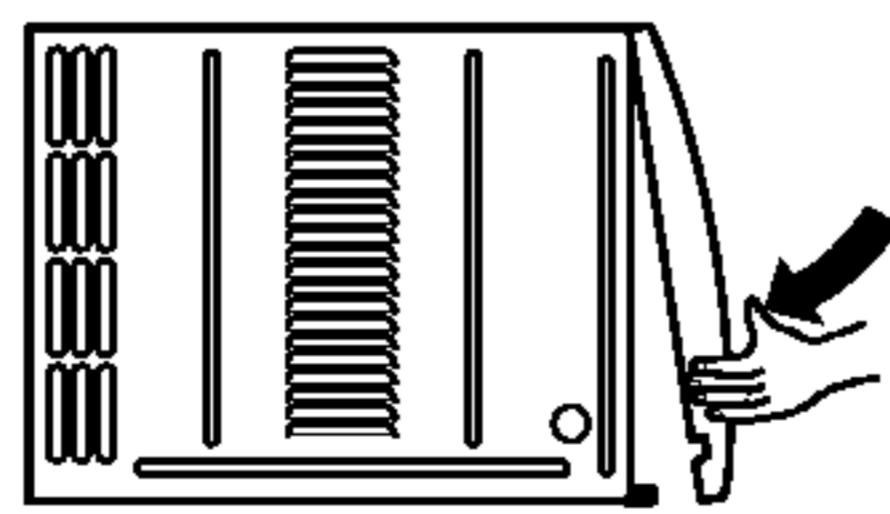
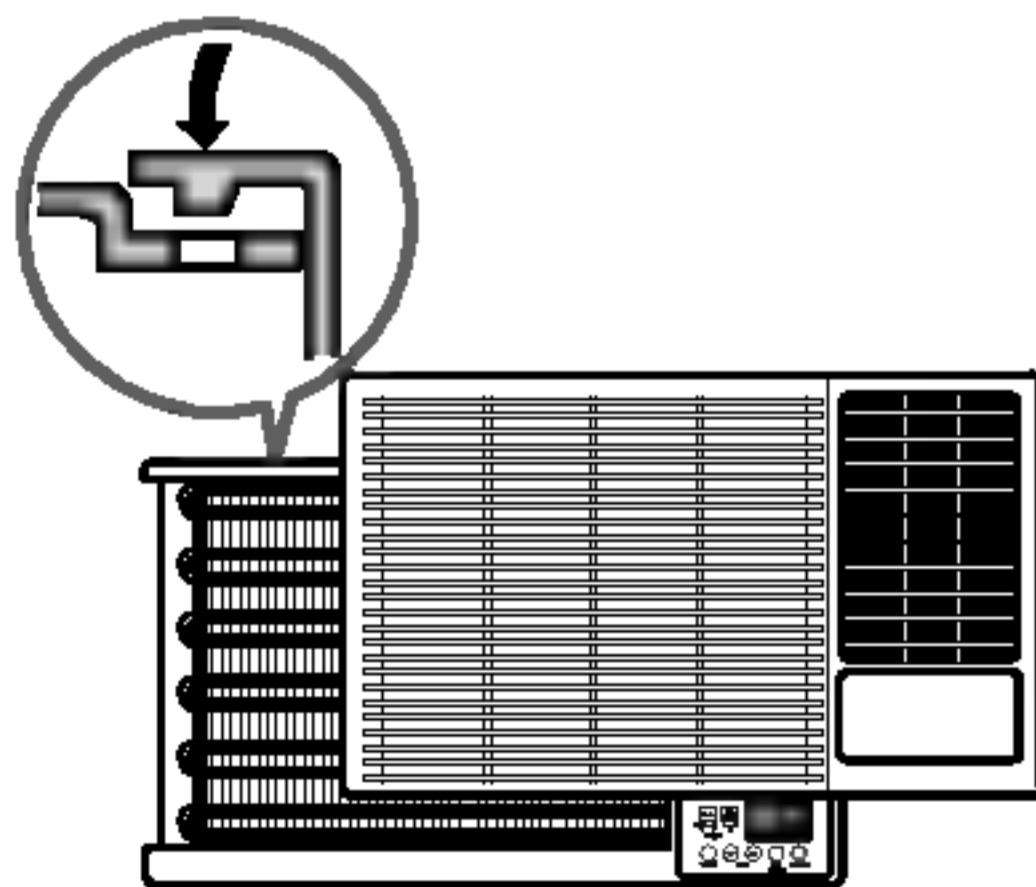
NOTICE : Mark Δ of inlet grille means opening direction.



CAUTION: DO NOT operate the air conditioner without a filter because dirt and lint will clog it and reduce performance.

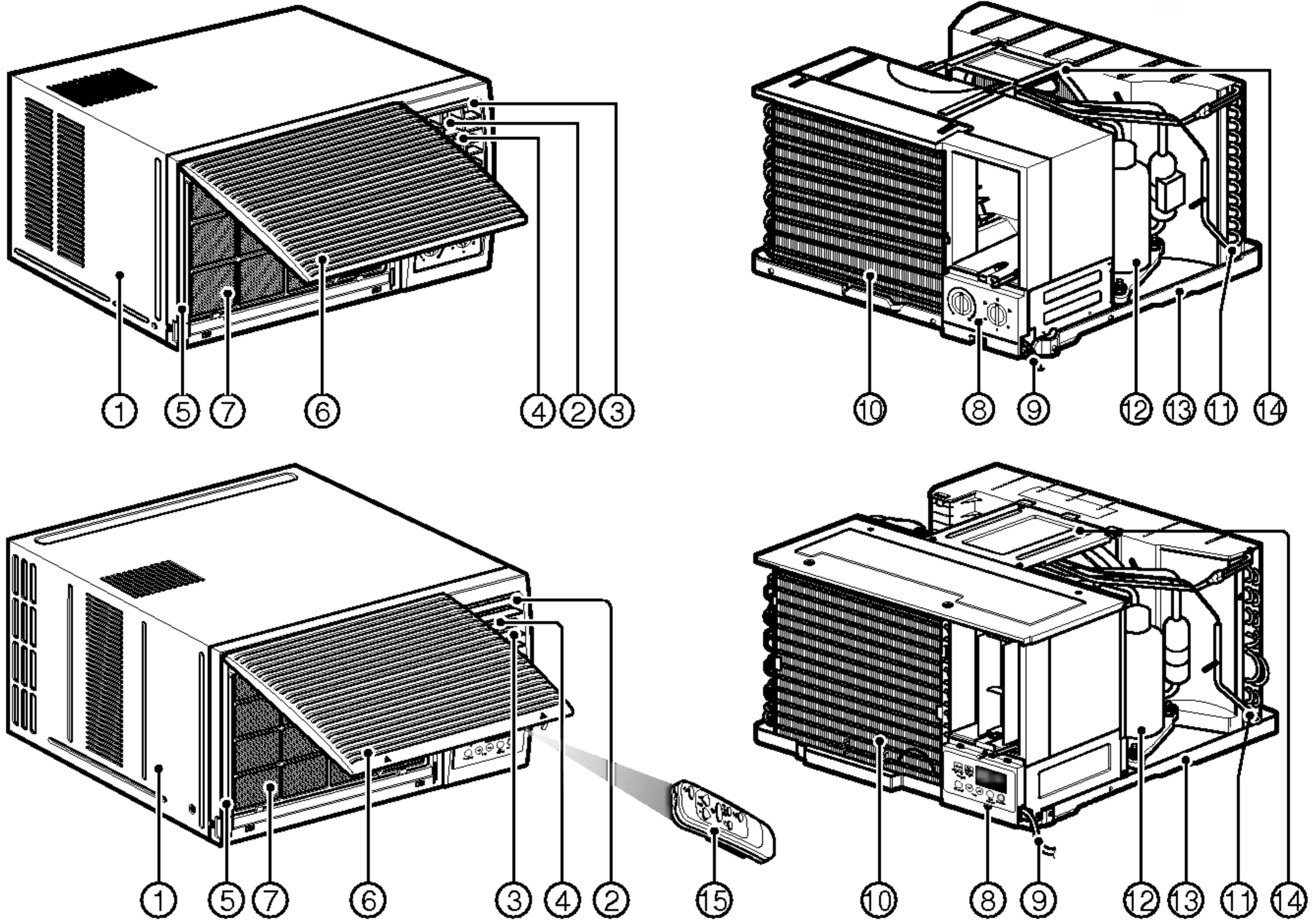
How to Attach Front Grille to Cabinet

1. Pull down front grille from the cabinet top.
2. Push front grille's tips toward the cabinet in order to insert front grille's tabs into the cabinet.
3. Open the inlet grille.
4. Tighten the screw through the front grille into the plate of the evaporator.
5. Close inlet grille.



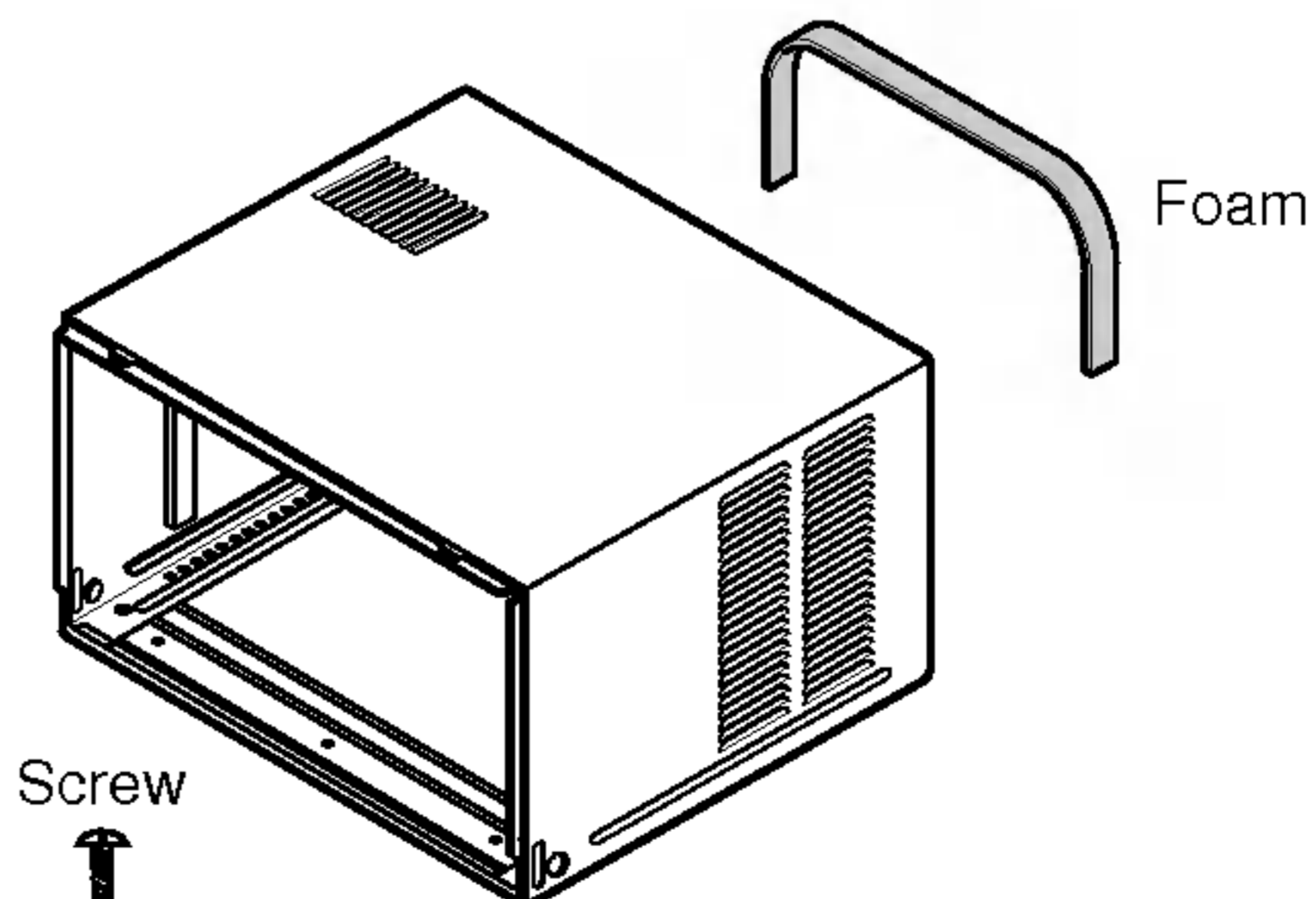
Learning parts name prior to installation will help you understanding the installation procedure.

Features



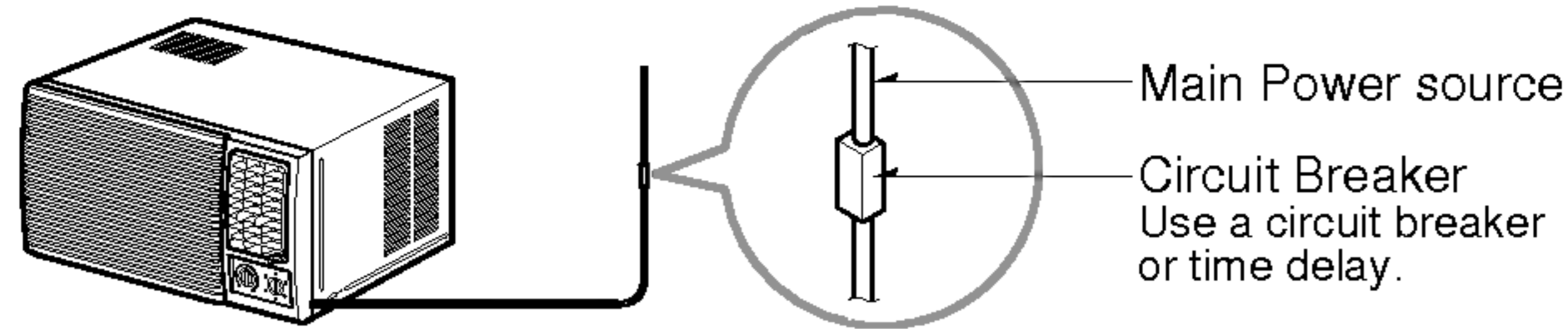
- | | | |
|---|------------------------------|-----------------------|
| 1. CABINET | 4. AIR DISCHARGE | 10. EVAPORATOR |
| 2. HORIZONTAL AIR DEFLECTOR (VERTICAL LOUVER) | 5. FRONT GRILLE | 11. CONDENSER |
| 3. VERTICAL AIR DEFLECTOR (HORIZONTAL LOUVER) | 6. AIR INTAKE (INLET GRILLE) | 12. COMPRESSOR |
| | 7. AIR FILTER | 13. BASE PAN |
| | 8. CONTROL BOARD | 14. BRACE |
| | 9. POWER CORD | 15. REMOTE CONTROLLER |

Installation Hardware



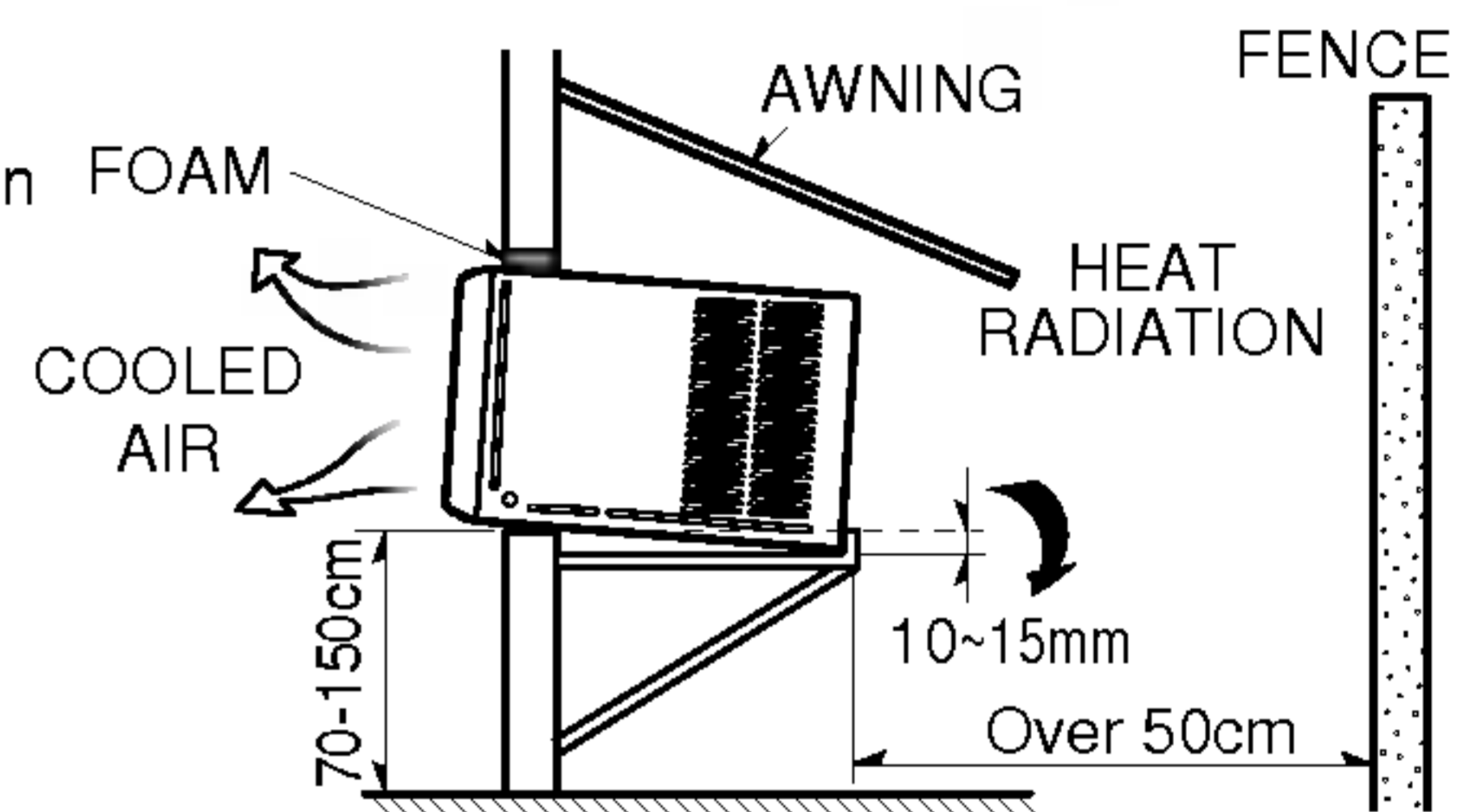
Read completely, then follow step-by step.

- The appliance shall be installed in accordance with national wiring regulation.
- If a power plug isn't to be used, provide a circuit breaker between power source and the unit, as following picture.

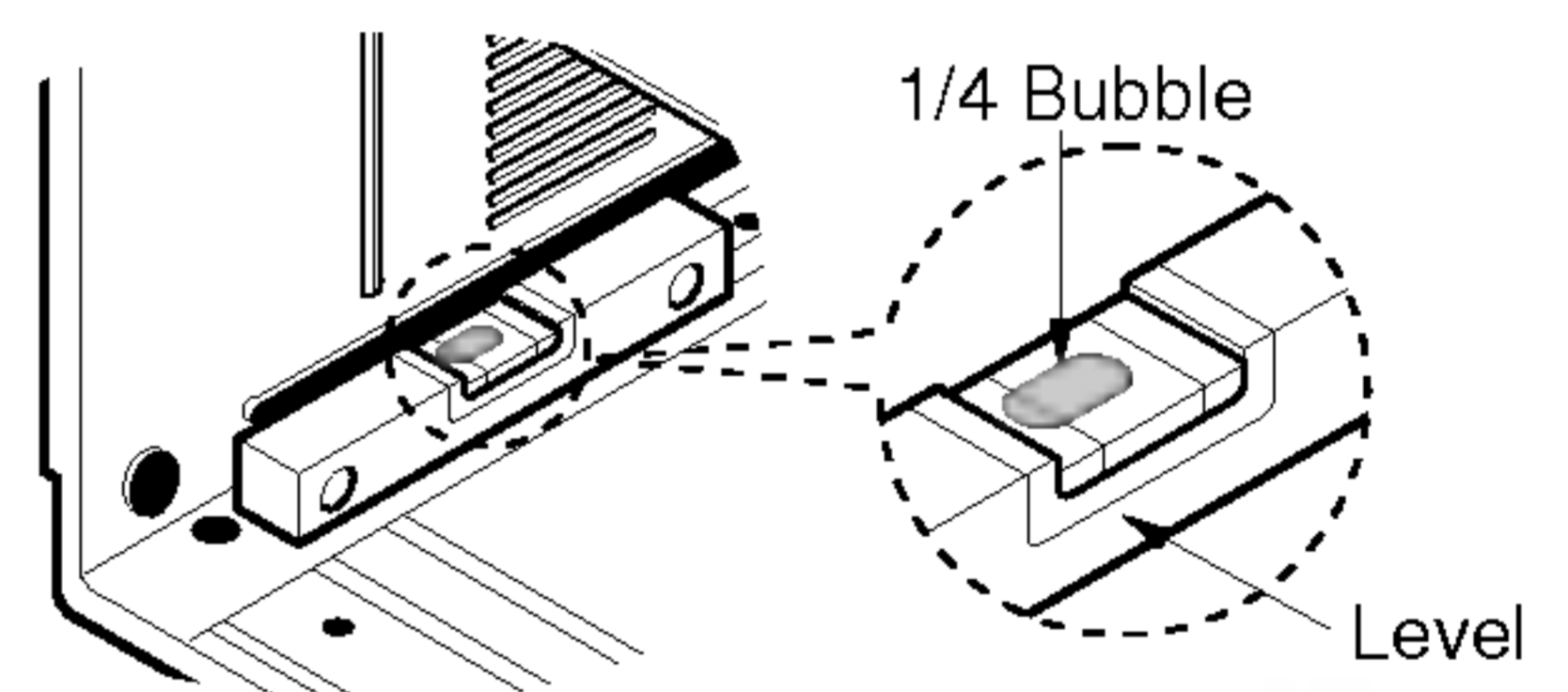


Select the Best Location

1. To prevent vibration and noise, make sure the unit is installed securely and firmly.
2. Install the unit where the sunlight does not shine directly on the unit.
3. There should be no obstacle, such as a fence or wall, within 50cm from the back of the cabinet because it will prevent heat radiation of the condenser. Restriction of outside air will greatly reduce the cooling efficiency of the air conditioner.
4. Install the unit a little obliquely outward not to leak the condensed water into the room (about 10 ~ 15mm or 1/4 bubble with level).

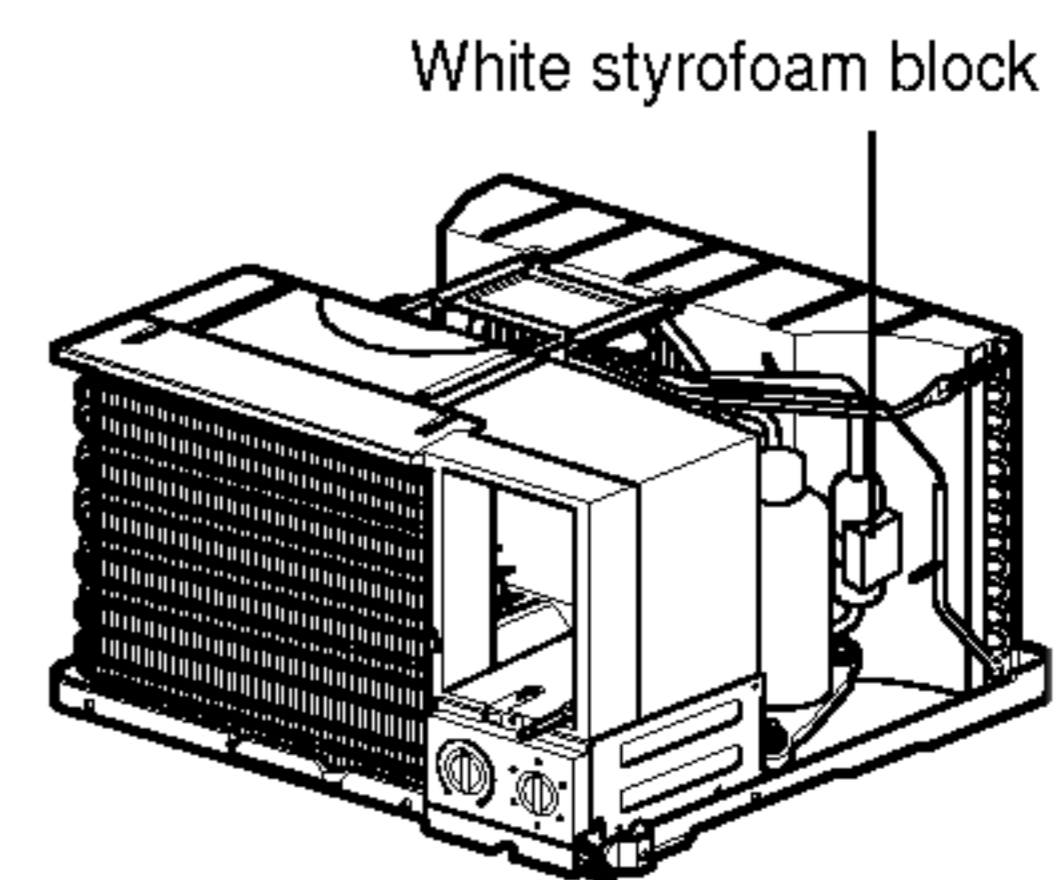
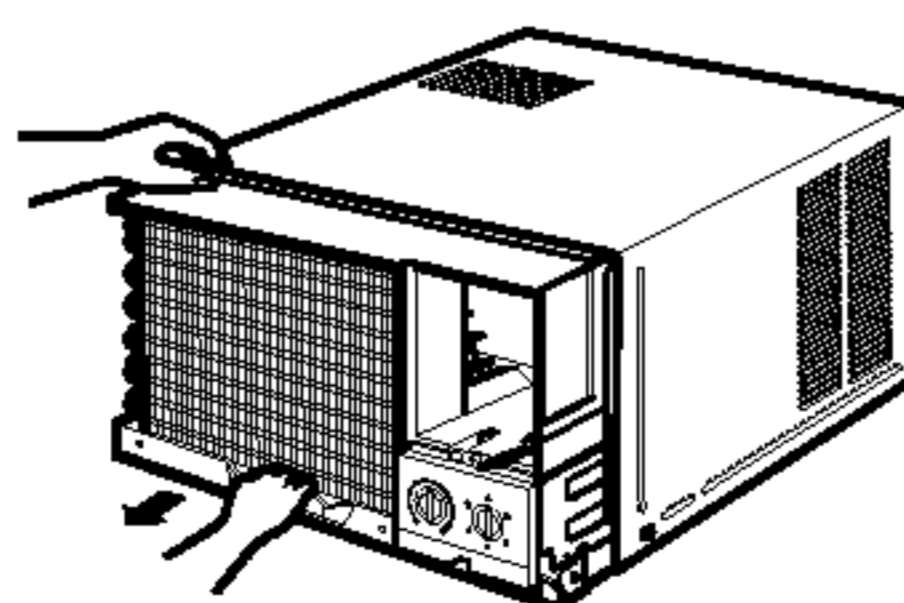
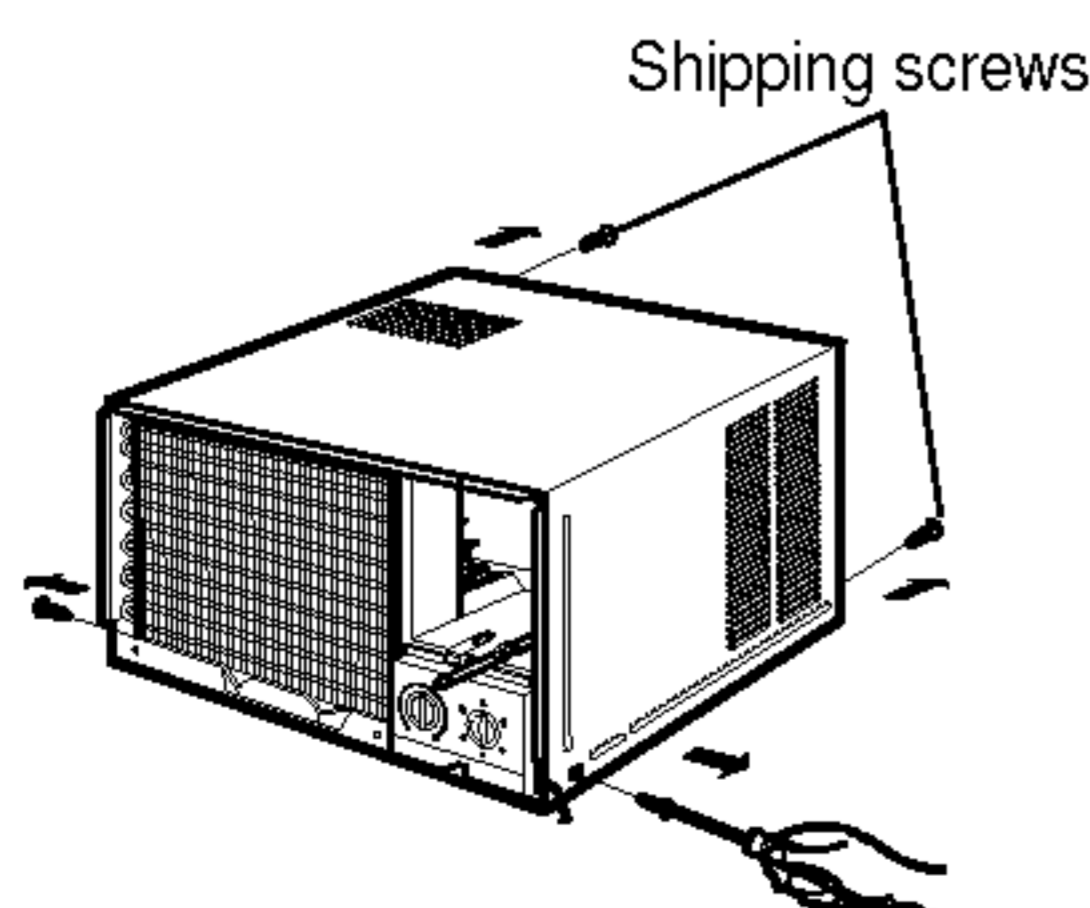


CAUTION: All side louvers of the cabinet must remain exposed to the outside of the structure.



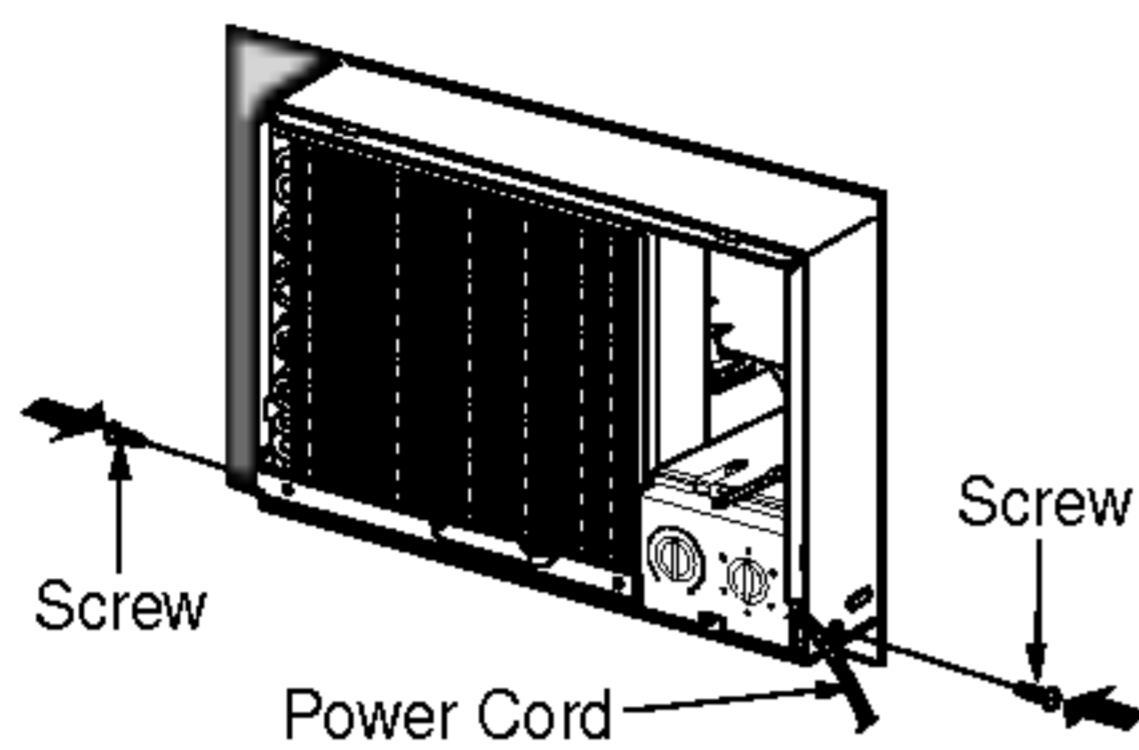
Remove the Air Conditioner From the Case

1. Remove the 2 shipping screws from the back of the case.
2. Remove the 2 screws on each side of the case. Keep these for later use.
3. Slide the air conditioner from the case by gripping the base pan handle and pulling forward while bracing the case.
4. Before installing the Air Conditioner back into the case, remove the white styrofoam shipping block from the compressor (Applicable for some models).



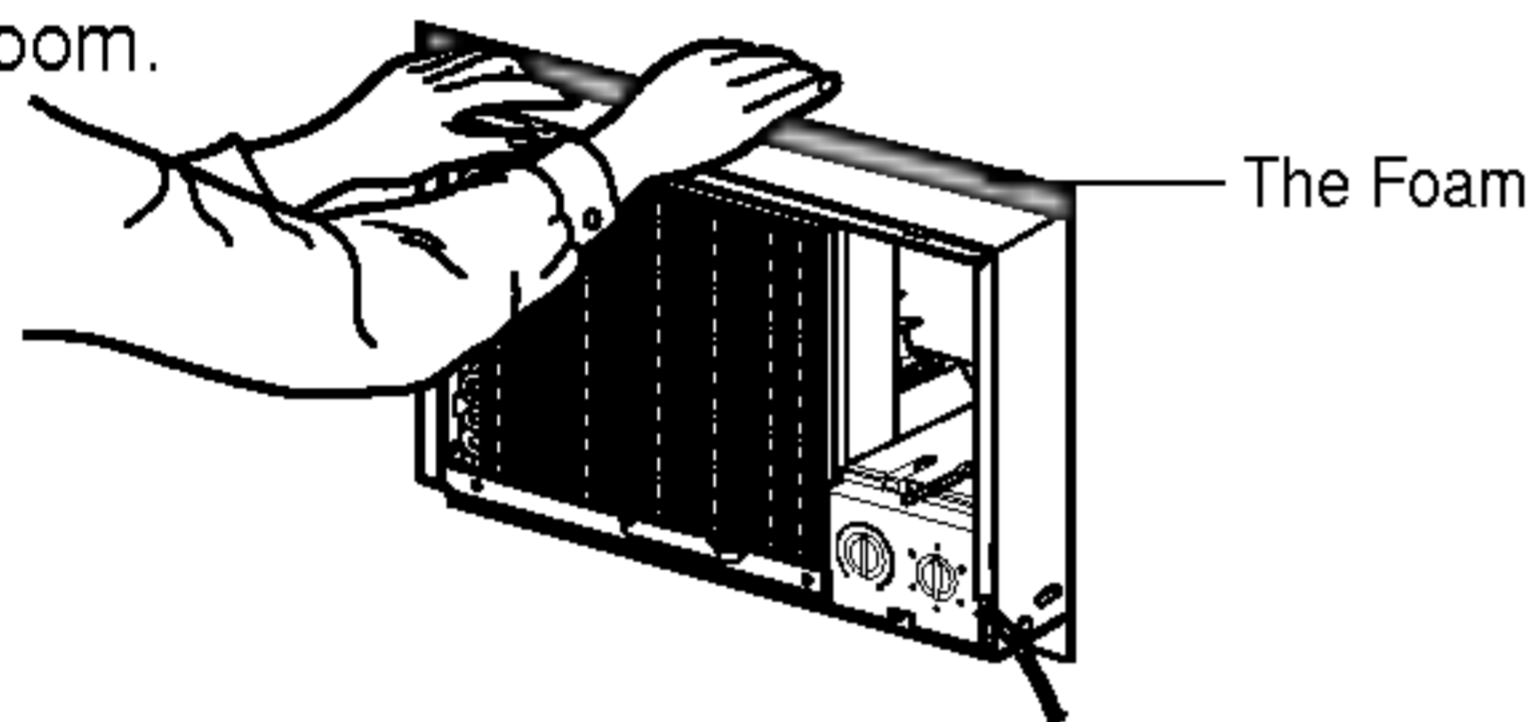
Install the Air Conditioner in the Case

- Slide the air conditioner into the case.
Reinstall the 2 screws removed earlier on each side of the case.

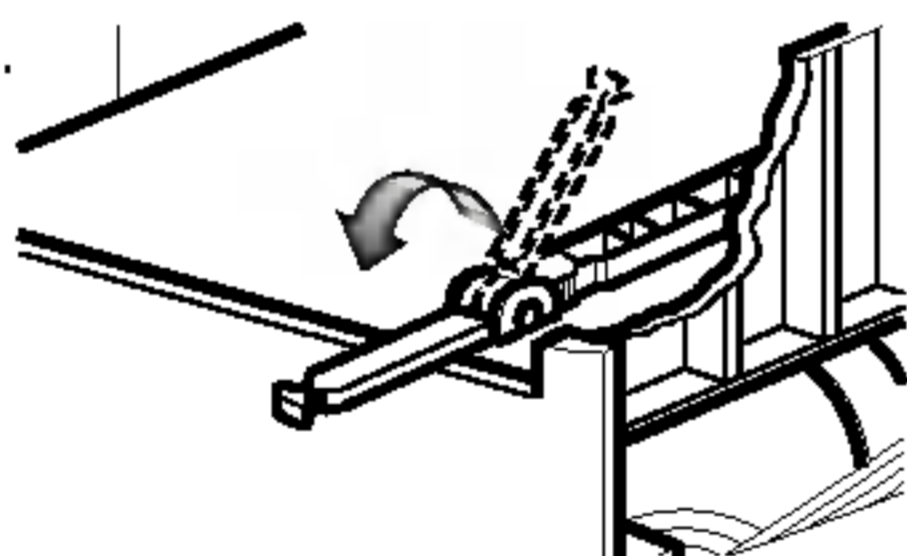


CAUTION: The power cord must be connected to an independent circuit. The green wire must be grounded.

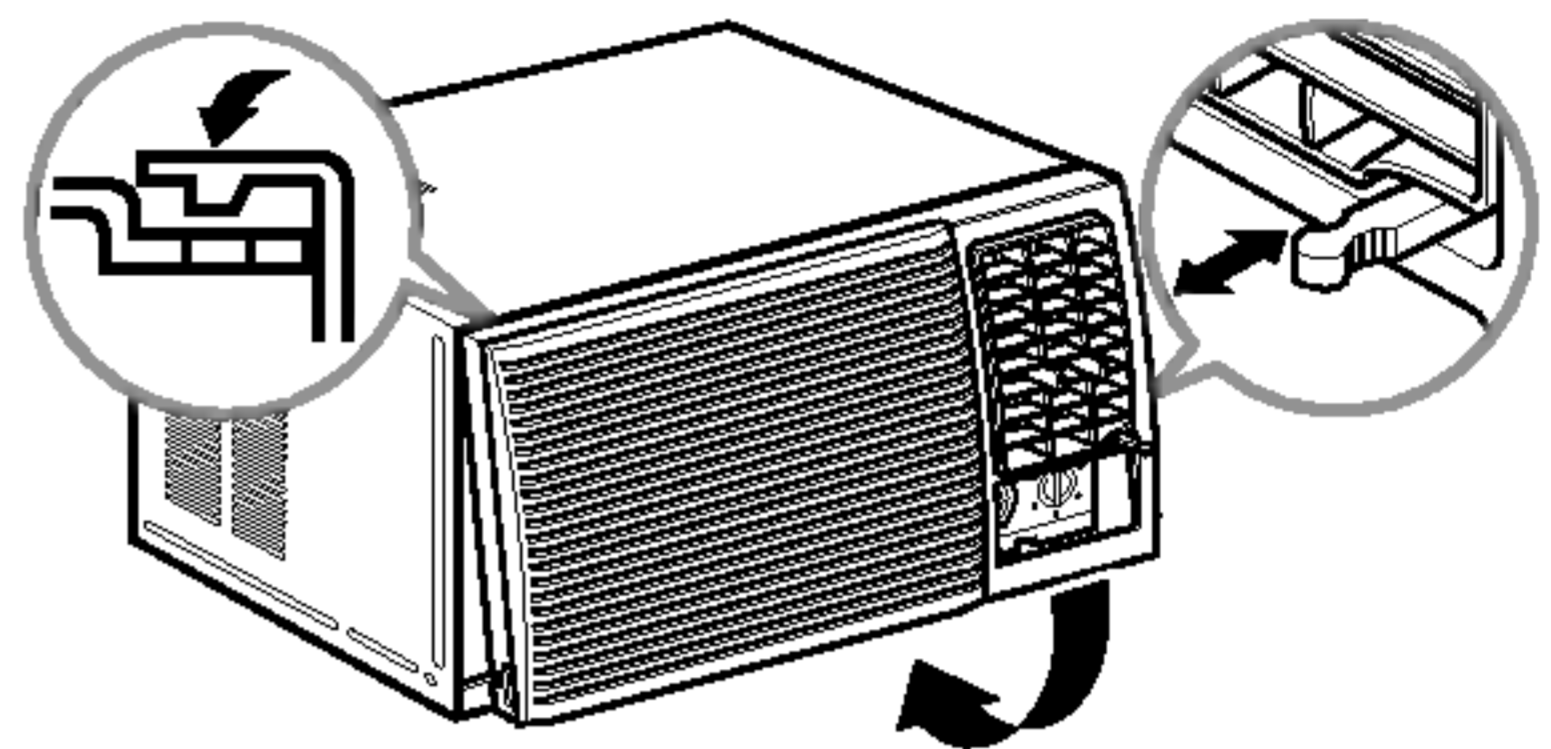
- Stuff the foam between the top of the unit and the wall to prevent air and insects from getting into the room.



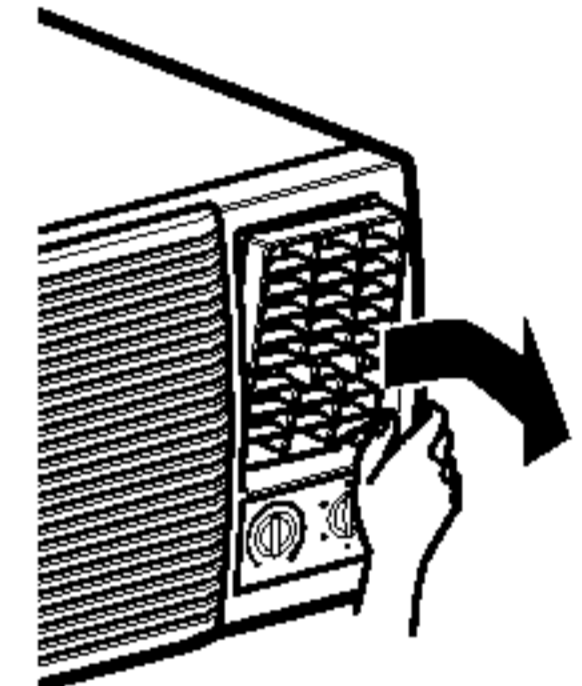
- Before installing the front grille, pull out the vent control lever located above the unit control knobs, as shown.



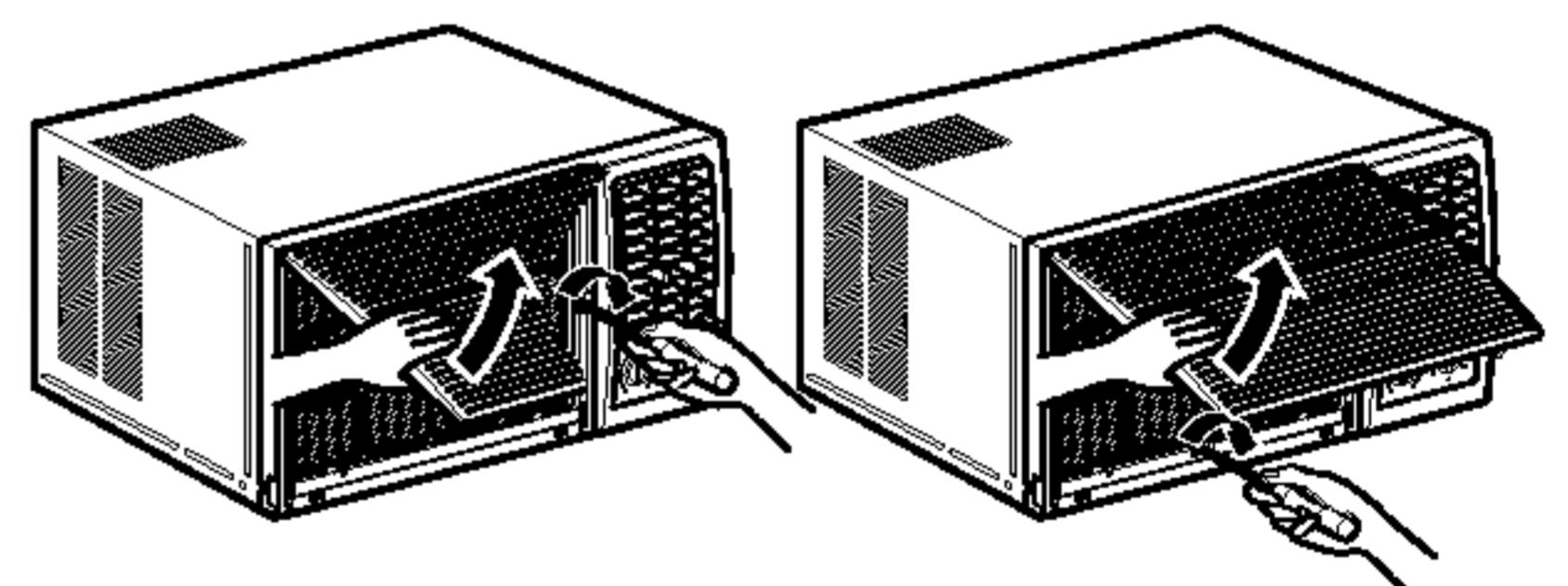
- Attach the front grille to the case by inserting the tabs on the grille into the slots on the front of the case. Push the grille in until it snaps into place.



When you detach the front grille from the case, push the grille to your right side and pull it toward you.

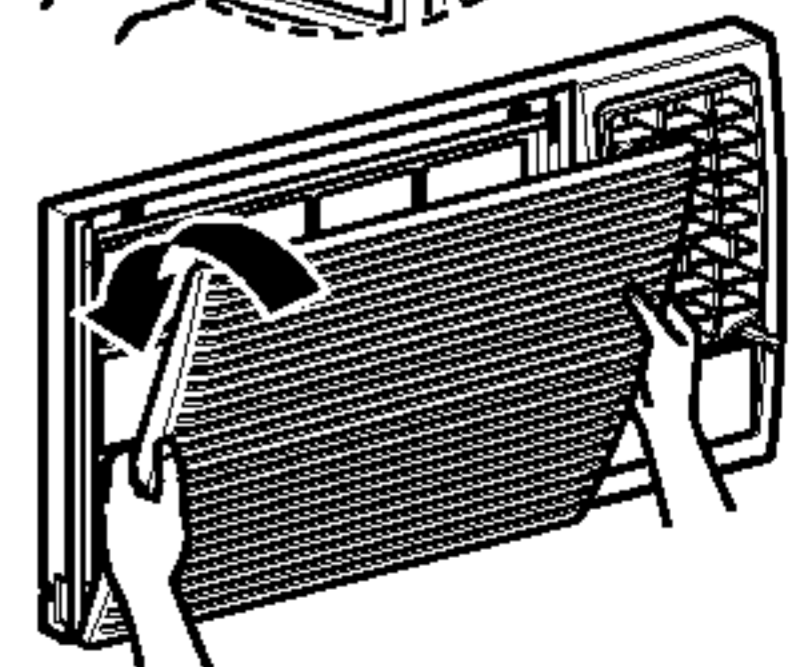
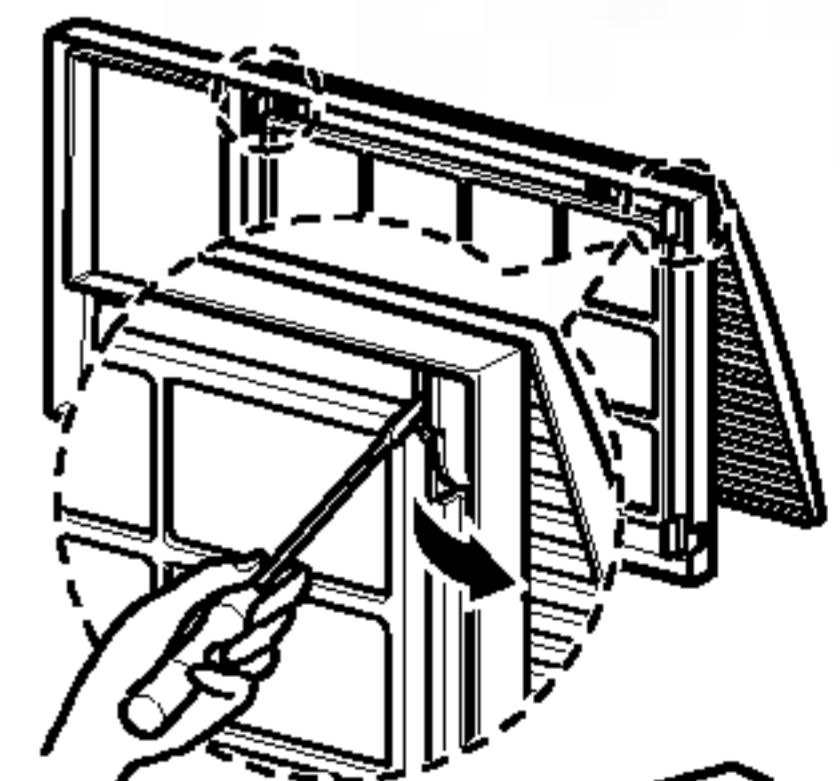


- Lift the inlet grille and secure the front grille with a screw. Lower the inlet grille into place.



Use the Reversible Inlet Grille

- If you want to pull out the filter upward, open the inlet grille slightly.
Turn inside out the front grille.
Disassemble the inlet grille from the front grille with separating the hinged part by inserting a "—" type screw-driver tip.
Rotate the inlet grille 180 degrees and insert the hooks into the lower holes of front grille.
Then, insert the filter
- If you want to pull out the filter downward, use the reversible inlet grille without change. (The grille is already assembled for that way.)



Troubleshooting Tips

Save time and money! Review the chart below first and you may not need to call for service.

Normal Operation

- You may hear a pinging noise caused by water being picked up and thrown against the condenser on rainy days or when the humidity is high. This design feature helps remove moisture and improve efficiency.
- You may hear the thermostat click when the compressor cycles on and off.
- Water will collect in the base pan during high humidity or on rainy days. The water may overflow and drip from the outdoor side of the unit.
- The fan may run even when the compressor does not.

Abnormal Operation

<i>Problem</i>	<i>Possible Causes</i>	<i>What To Do</i>
<i>Air conditioner does not start</i>	■ The air conditioner is unplugged.	• Make sure the air conditioner plug is pushed completely into the outlet.
	■ The fuse is blown/circuit breaker is tripped.	• Check the house fuse/circuit breaker box and replace the fuse or reset the breaker.
	■ Power failure.	• If power failure occurs, push power button to OFF . When power is restored, wait 3 minutes to restart the air conditioner to prevent tripping of the compressor overload.
<i>Air conditioner does not cool as it should</i>	■ Airflow is restricted.	• Make sure there are no curtains, blinds, or furniture blocking the front of the air conditioner.
	■ The thermostat may not be set high enough.	• Turn the knob to a higher setting. The highest setting provides maximum cooling.
	■ TEMP Control set too higher number.	• Set the TEMP control to a lower number.
	■ The air filter is dirty.	• Clean the filter at least every 2 weeks. See the operating instructions section.
	■ The room may have been hot.	• When the air conditioner is first turned on you need to allow time for the room to cool down.
	■ Cold air is escaping.	• Check for open furnace floor registers and cold air returns. • Set the air conditioner's vent to the closed position.
<i>Air conditioner freezing up</i>	■ Cooling coils have iced up.	• See Air Conditioner Freezing Up below.
	■ Ice blocks the air flow and stops the air conditioner from cooling the room.	• Set the mode control at MED fan or high cool with the thermostat at 1 or 2 (Left side). • Set the mode control at HIGH fan or high cool with the high temperature.

TABLA DE CONTENIDOS

1. Precauciones de Seguridad

2. Instrucciones de Funcionamiento

3. Cuidados y Mantenimiento

4. Guía de Instalación del Equipo

5. Problemas Habituales



PARA SUS ARCHIVOS

Escriba aquí el modelo y número de serie:

Modelo n°: _____

Serie n°: _____

Puede encontrar estos datos en la etiqueta situada en el lateral de cada unidad.

Nombre del distribuidor: _____

Fecha de compra: _____

- Adjunte su recibo a esta página con la grapadora para el momento que lo necesite para probar la fecha de su adquisición o para la validación de la garantía.



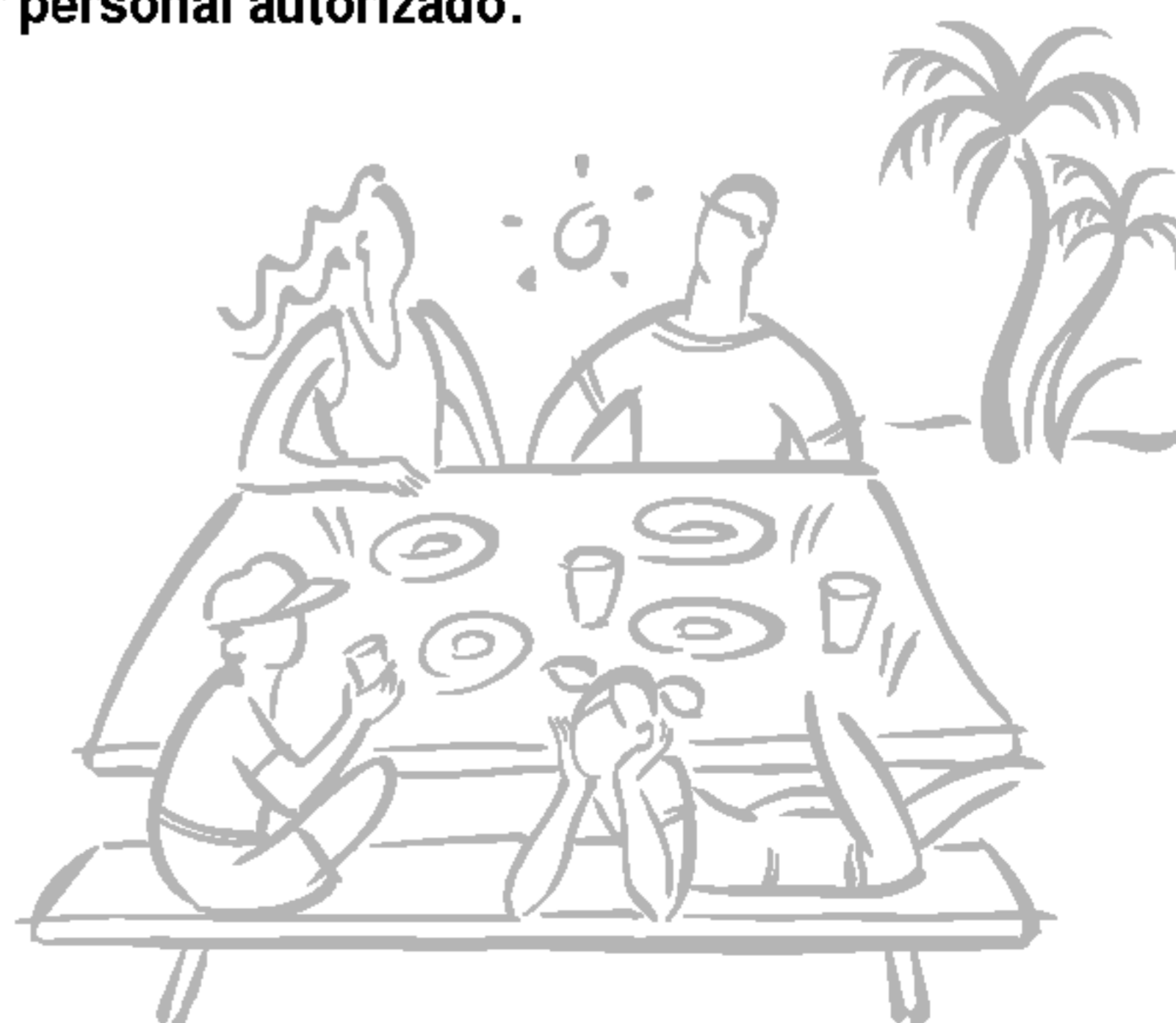
LEA ESTE MANUAL

En su interior encontrará muchos consejos útiles sobre la utilización y mantenimiento de su acondicionador de aire. Unos pocos cuidados por su parte le pueden ahorrar mucho tiempo y dinero durante la vida de su acondicionador de aire. En la tabla de consejos para la solución rápida de problemas encontrará muchas respuestas a los problemas más habituales. Si revisa primero nuestra **Tabla de Consejos** para la solución rápida de problemas, tal vez no necesite llamar nunca al servicio técnico.



PRECAUCIÓN

- Póngase en contacto con un técnico del servicio autorizado para realizar la reparación y mantenimiento de esta unidad.
- Póngase en contacto con un instalador para realizar la instalación de esta unidad.
- Cuando se va a cambiar el cable eléctrico, el trabajo de reemplazamiento debe ser realizado únicamente por personal autorizado, utilizando las piezas de cambio genuinas únicamente.
- El trabajo de reemplazamiento debe ser realizado de acuerdo con el Código Eléctrico Nacional únicamente por personal autorizado.





Para prevenir tanto lesiones al usuario u otras personas como daños materiales, es preciso seguir estas instrucciones.

■ El manejo incorrecto debido a la instrucción ignorada puede causar lesiones o daños cuya gravedad está clasificada en las siguientes indicaciones.

⚠ ADVERTENCIA Este símbolo indica la posibilidad de lesiones mortales o graves.

⚠ PRECAUCION Este símbolo indica la posibilidad de lesiones o daños materiales.

■ El significado de los símbolos utilizados en este manual se indica a continuación.

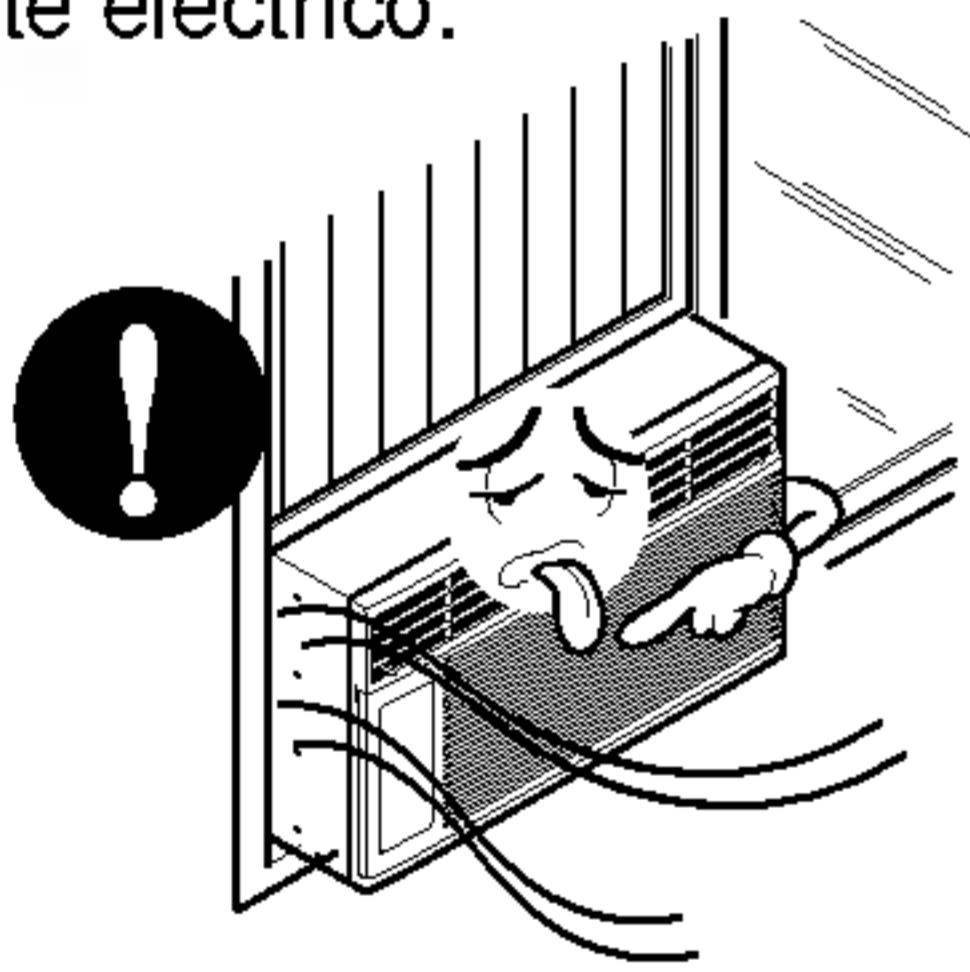
	Asegúrese de no hacerlo.
	Asegúrese de seguir las instrucciones.

⚠ ADVERTENCIA

■ **Instalación**

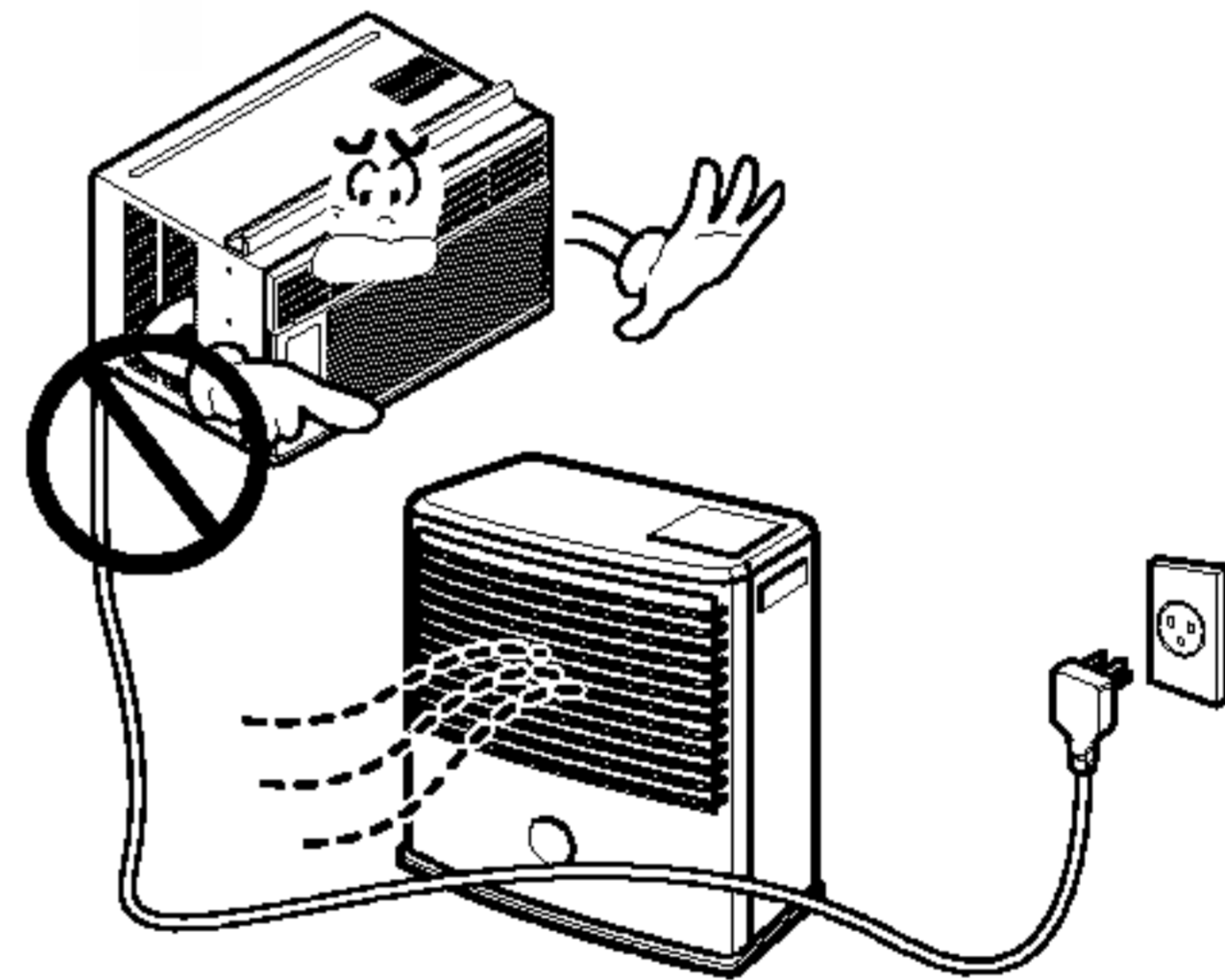
Instale siempre el (los) panel(es) de expansión.

- No instalarlo puede causar incendio y/o accidente eléctrico.



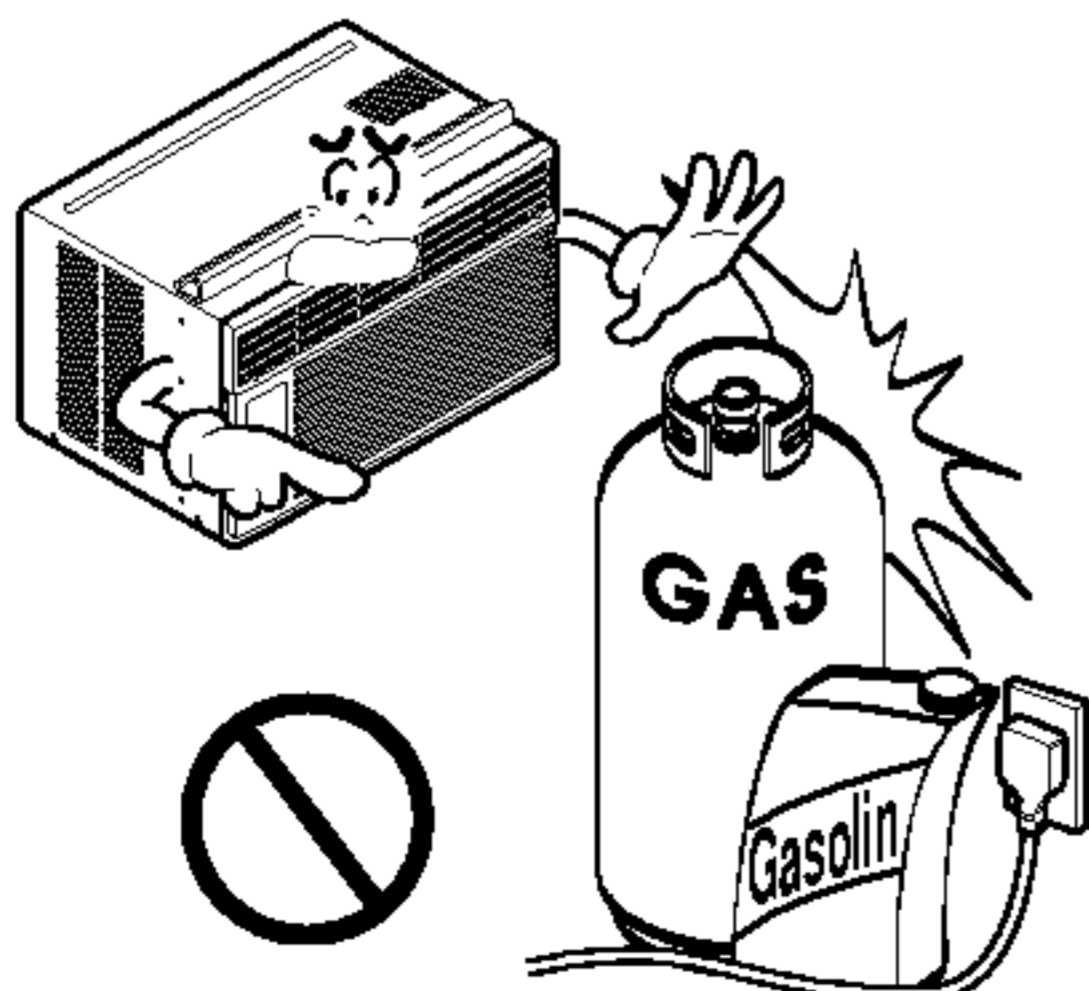
No coloque el cable eléctrico cerca de un calefactor.

- Puede causar incendio y descarga eléctrica.



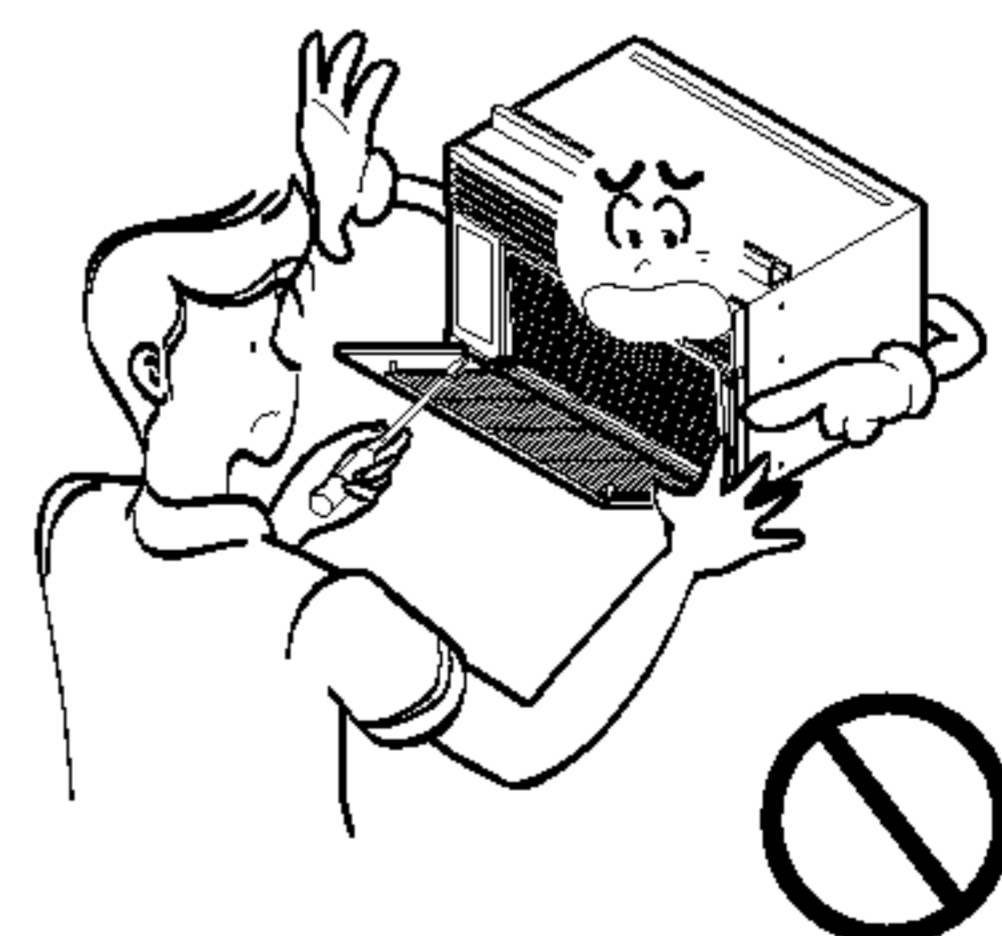
No use el cable de corriente cerca de gas inflamable o combustibles tales como gasolina, benzina, solvente, etc.

- Puede causar explosión o incendio.



No desarme o modifique los productos.

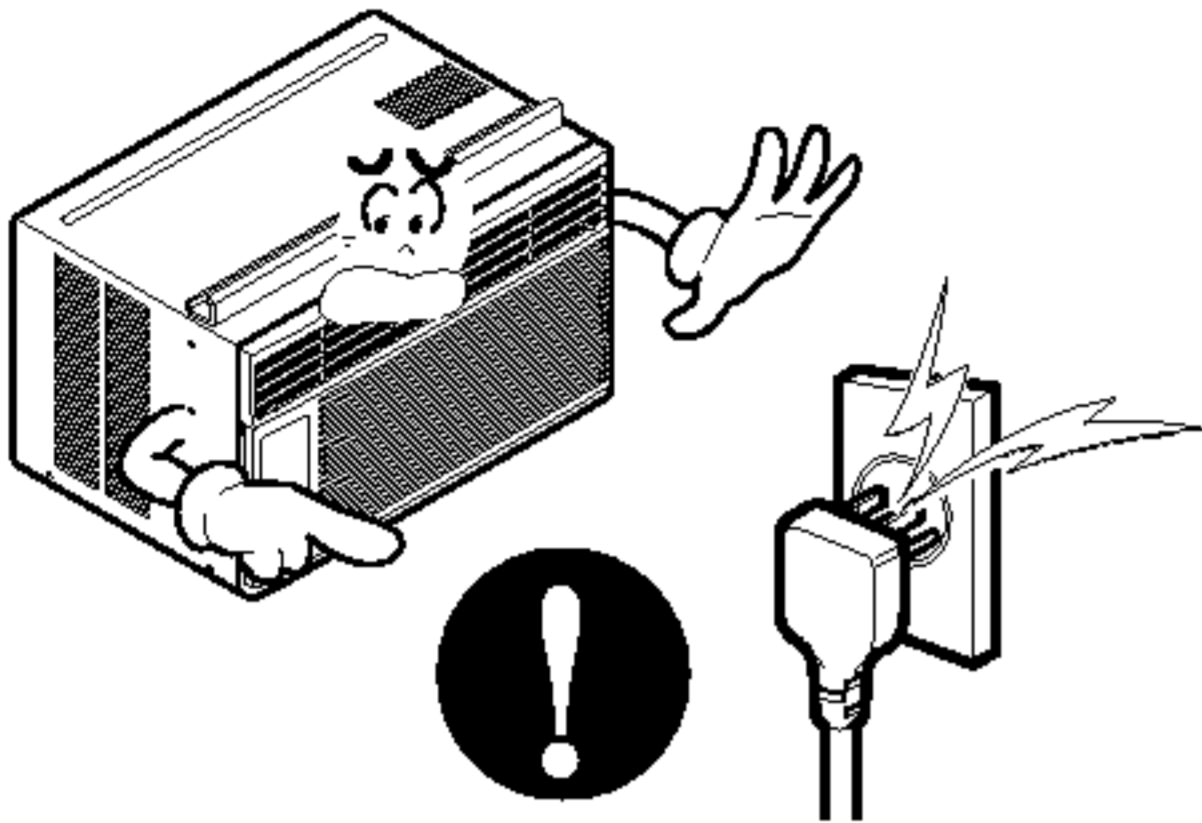
- Puede causar fallos y descarga eléctrica.



■ Funcionamiento

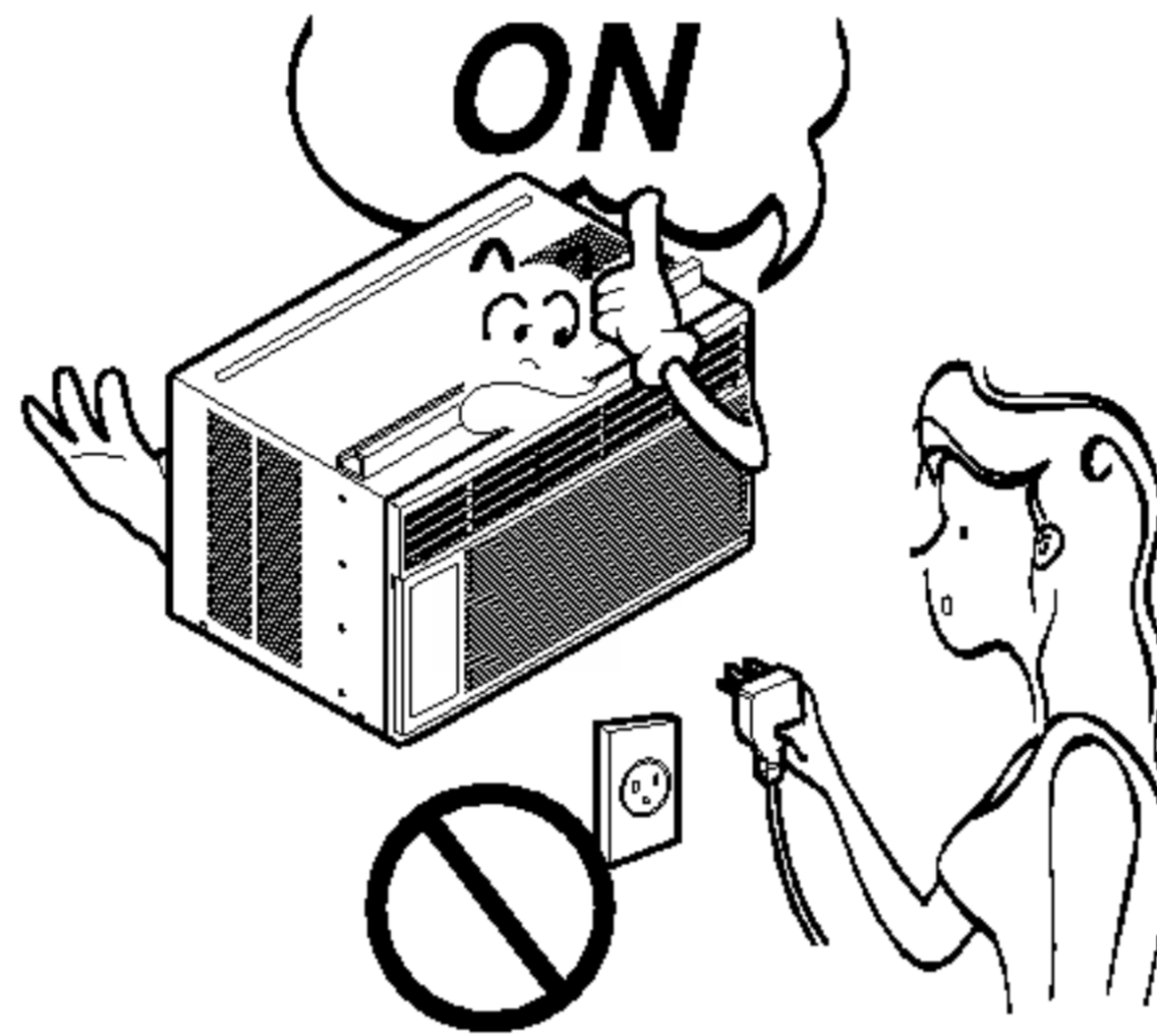
Enchufe la corriente adecuadamente.

- De otro modo, causará descarga eléctrica o incendio debido a la generación de calor.



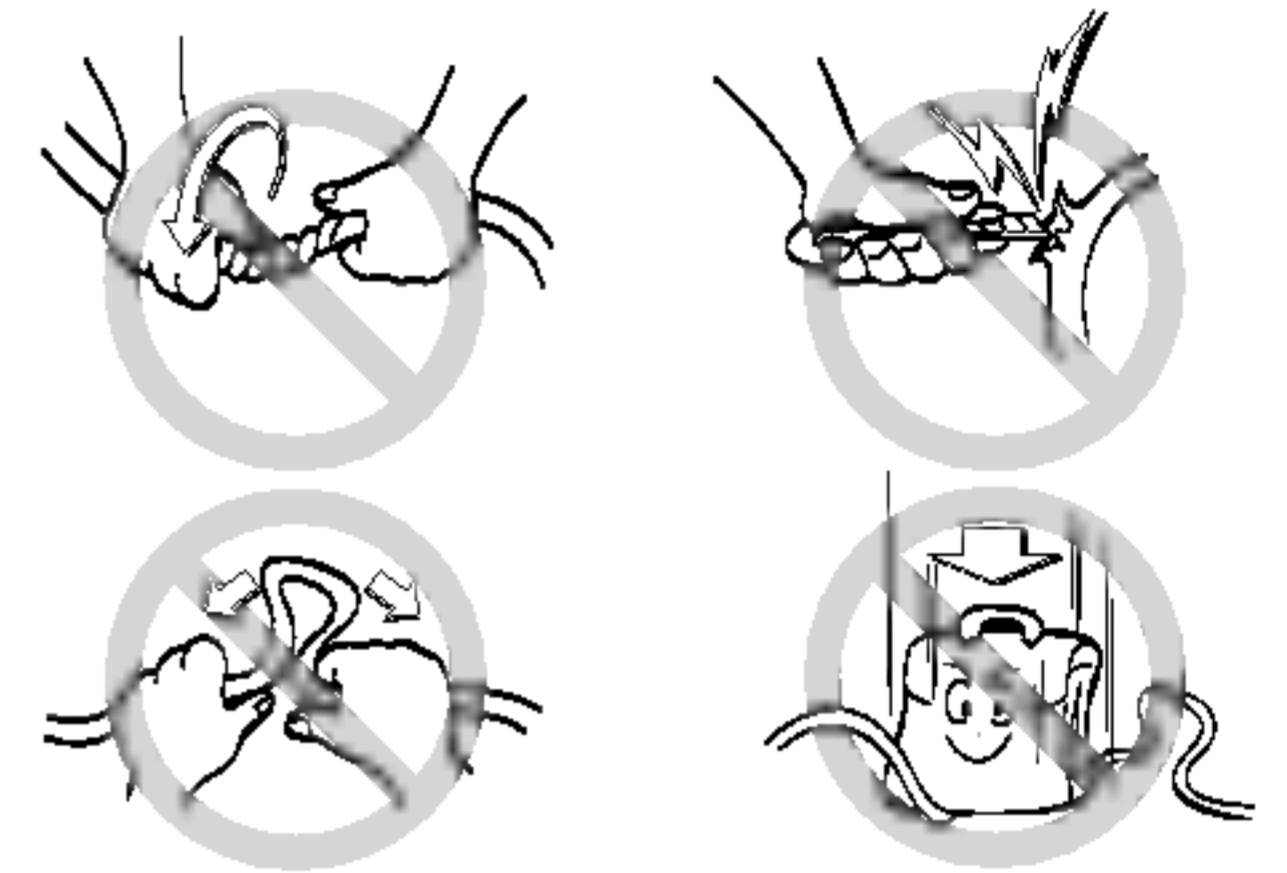
No haga funcionar o detenga la unidad insertando o tirando del enchufe.

- Causará descarga eléctrica o incendio debido a la generación de calor.



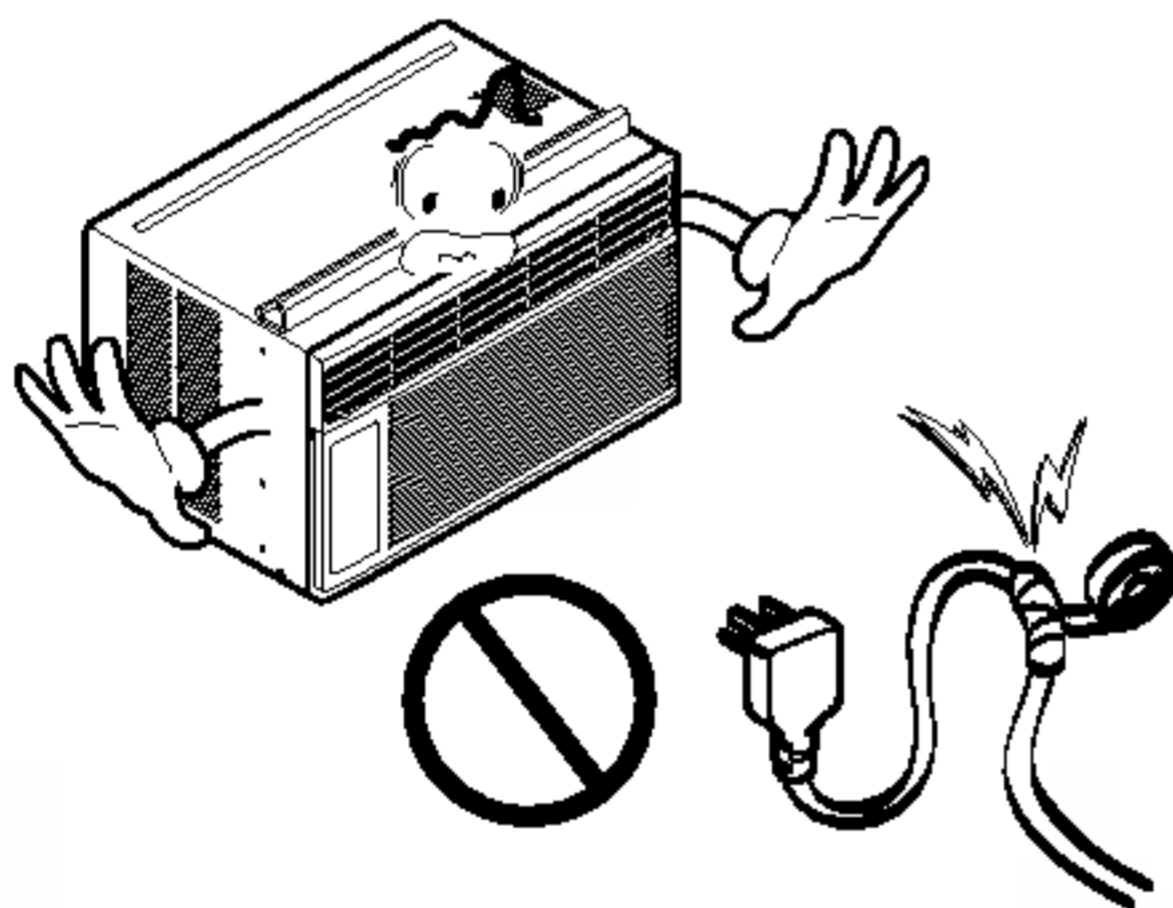
No dañe ni use un cable no especificado.

- Causará descarga eléctrica o incendio.



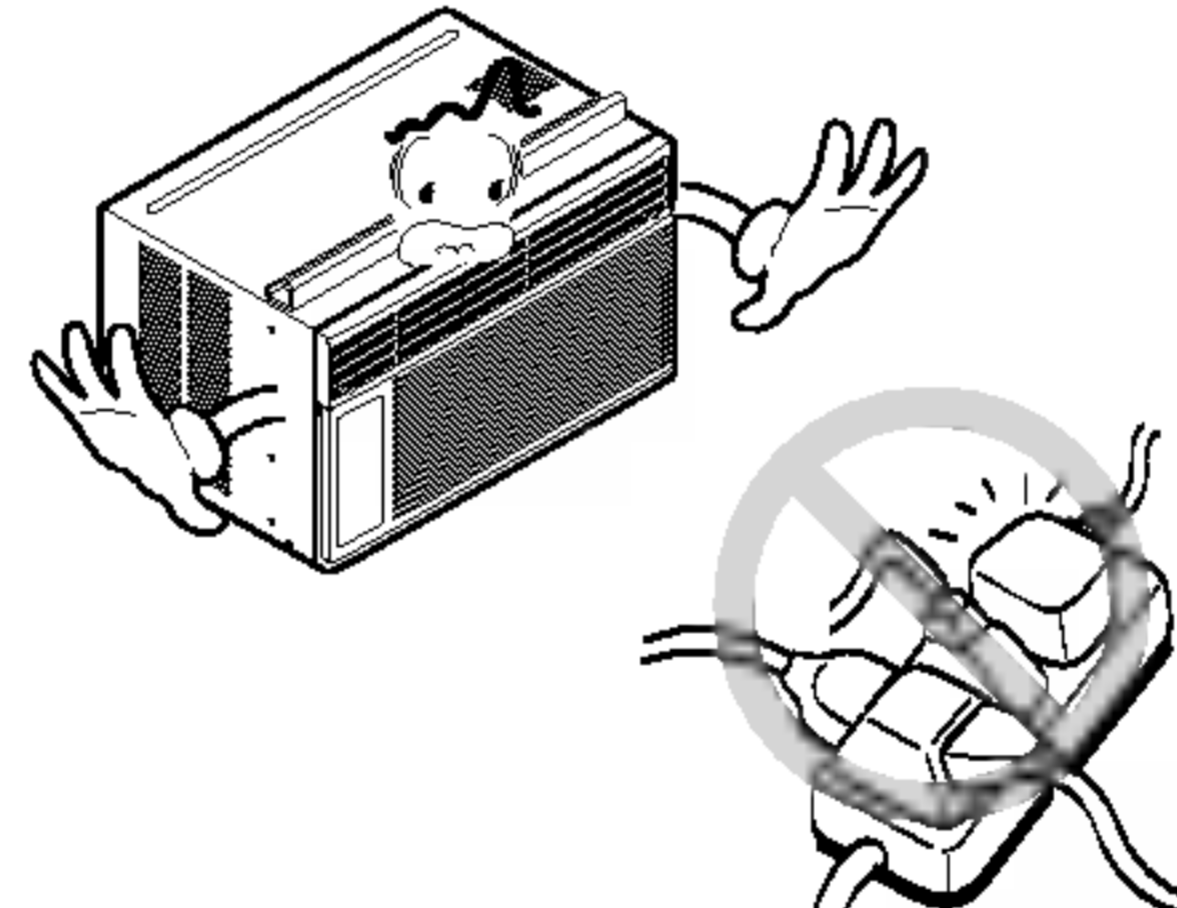
No modifique la longitud del cable de corriente eléctrica.

- Causará descarga eléctrica o incendio debido a la generación de calor.



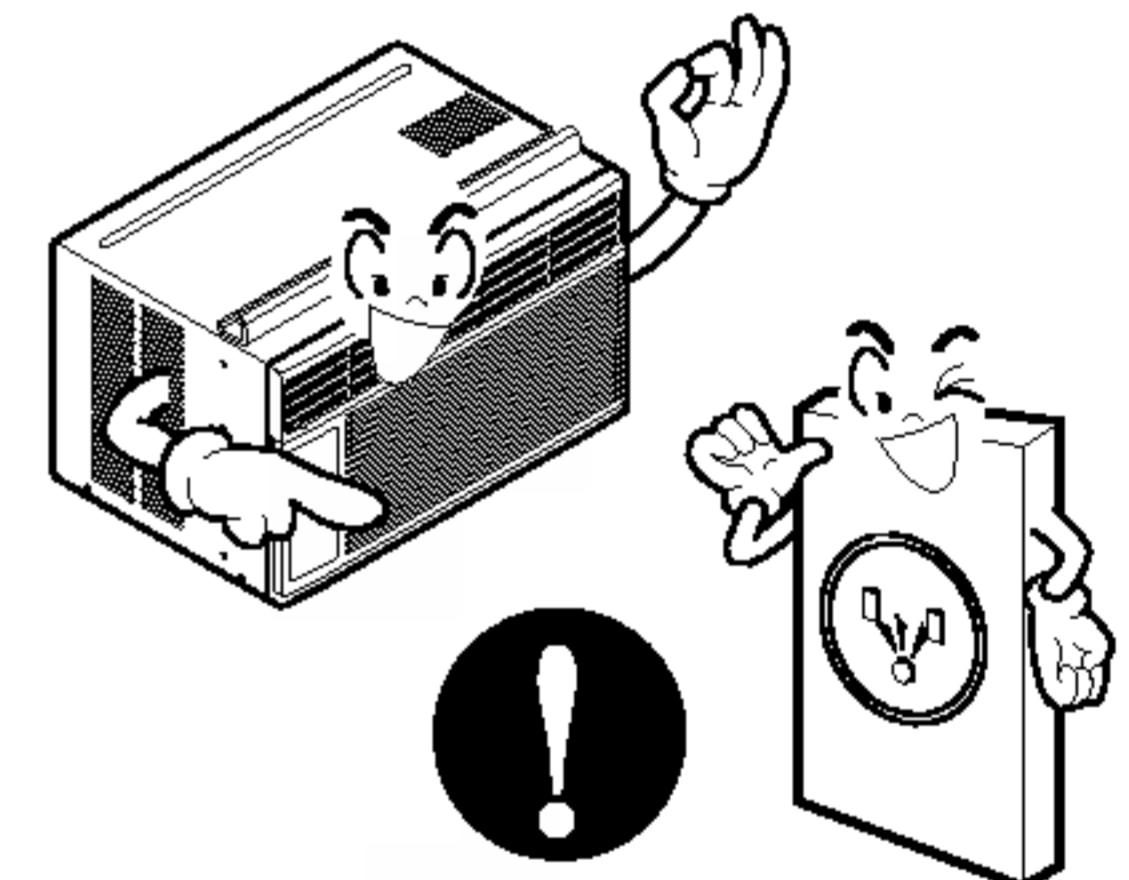
No comparta la salida con otros artefactos.

- Causará descarga eléctrica o incendio debido a la generación de calor.



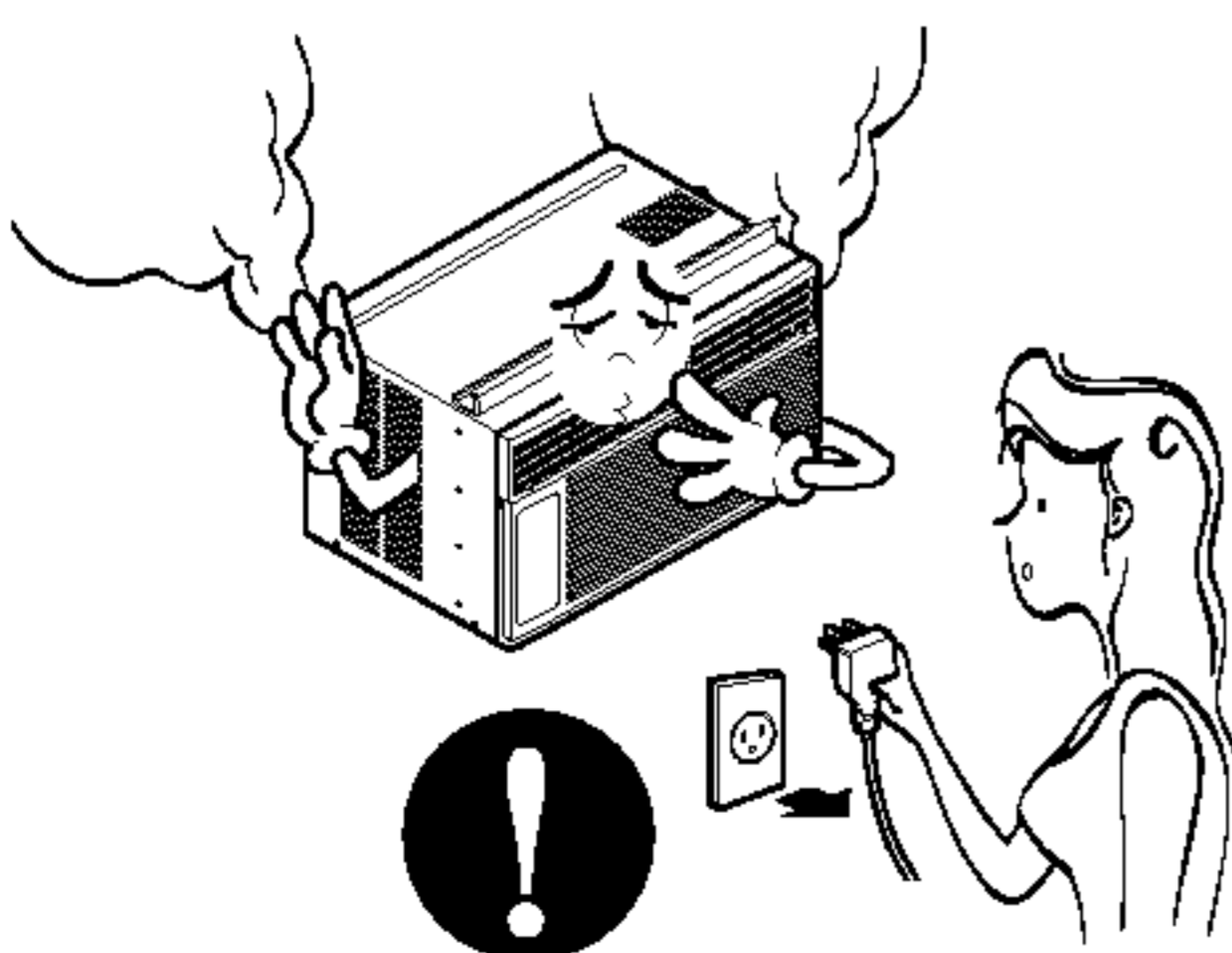
Siempre enchufe las piezas eléctricas en una salida conectada a masa.

- Si no hay conexión a masa, se puede producir una descarga eléctrica. (Vea el Manual de instalación.)



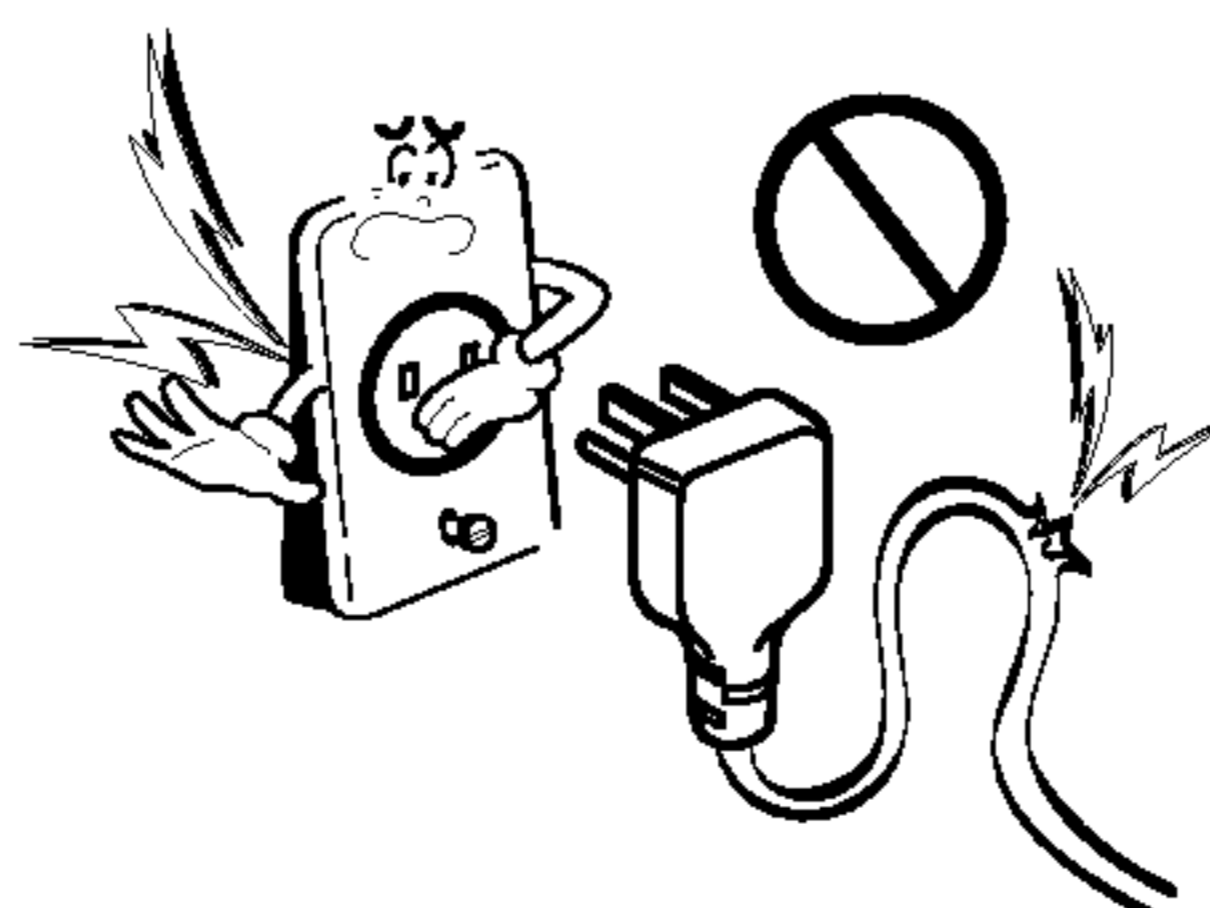
Desenchufe la unidad si se producen sonidos u olores extraños en la unidad.

- En caso que no, puede causar incendio y accidente de corto circuito.



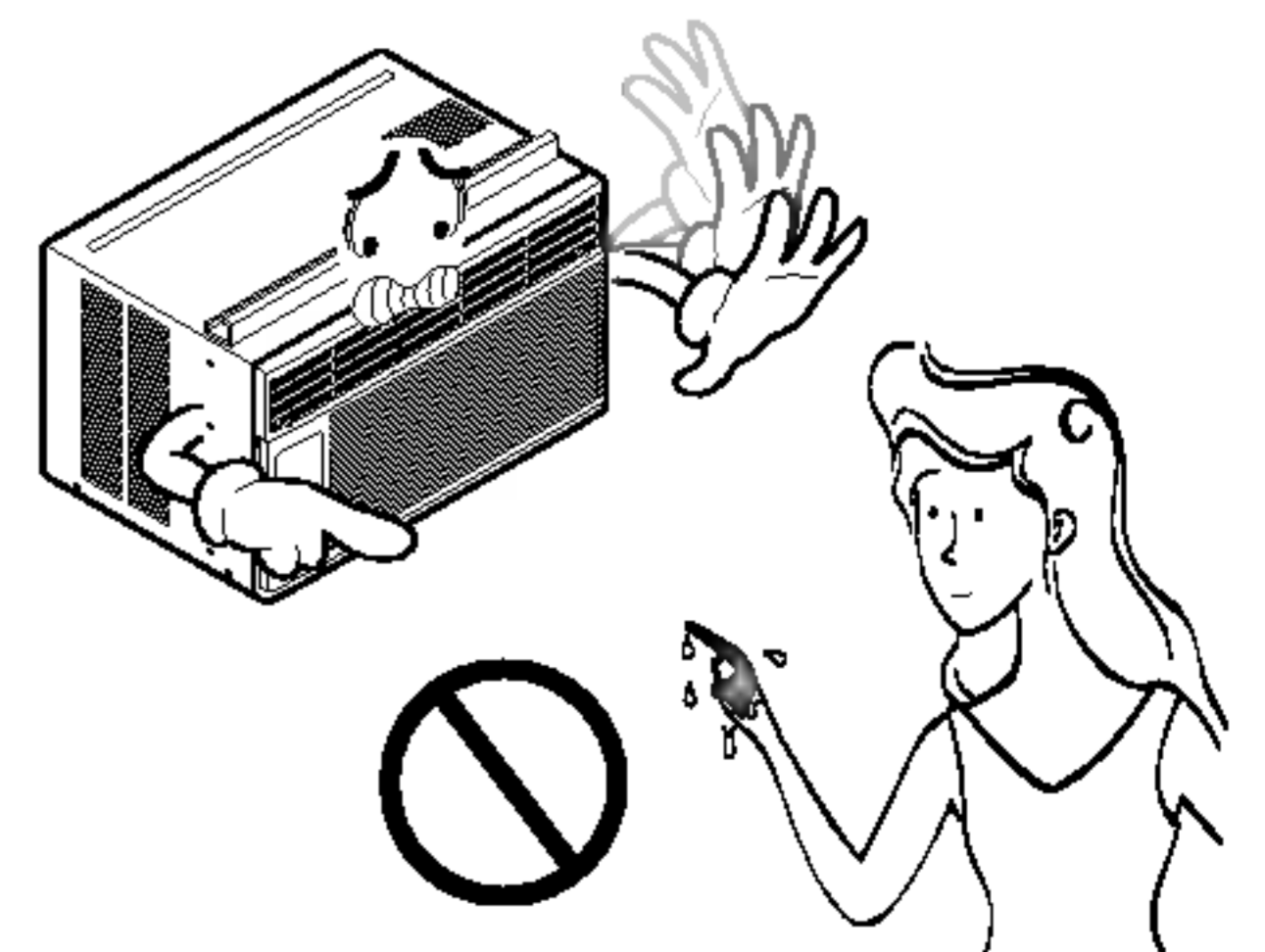
No use el tomacorriente si está suelto o dañado.

- Puede causar incendio y accidente eléctrico.



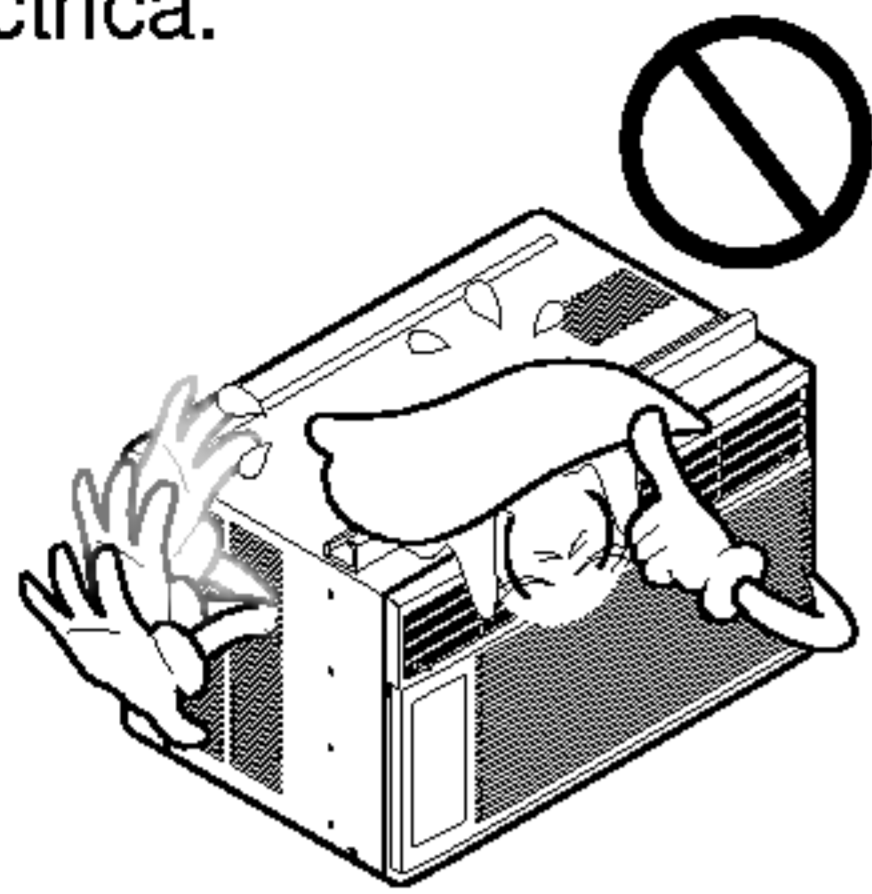
No haga funcionar la unidad con las manos húmedas o en un ambiente húmedo.

- Puede causar descarga eléctrica.



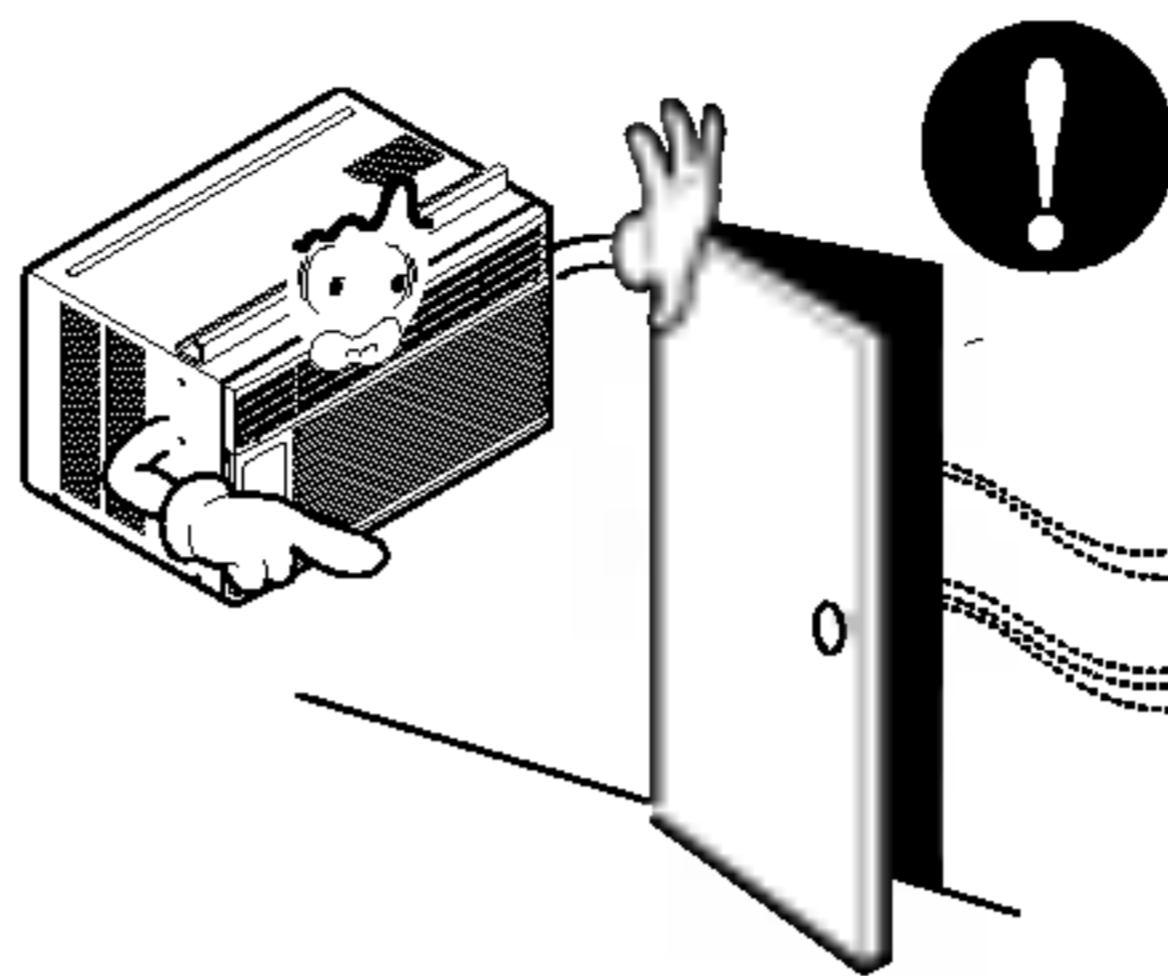
No permita la entrada de agua.

- Puede causar una falla del motor o una descarga eléctrica.



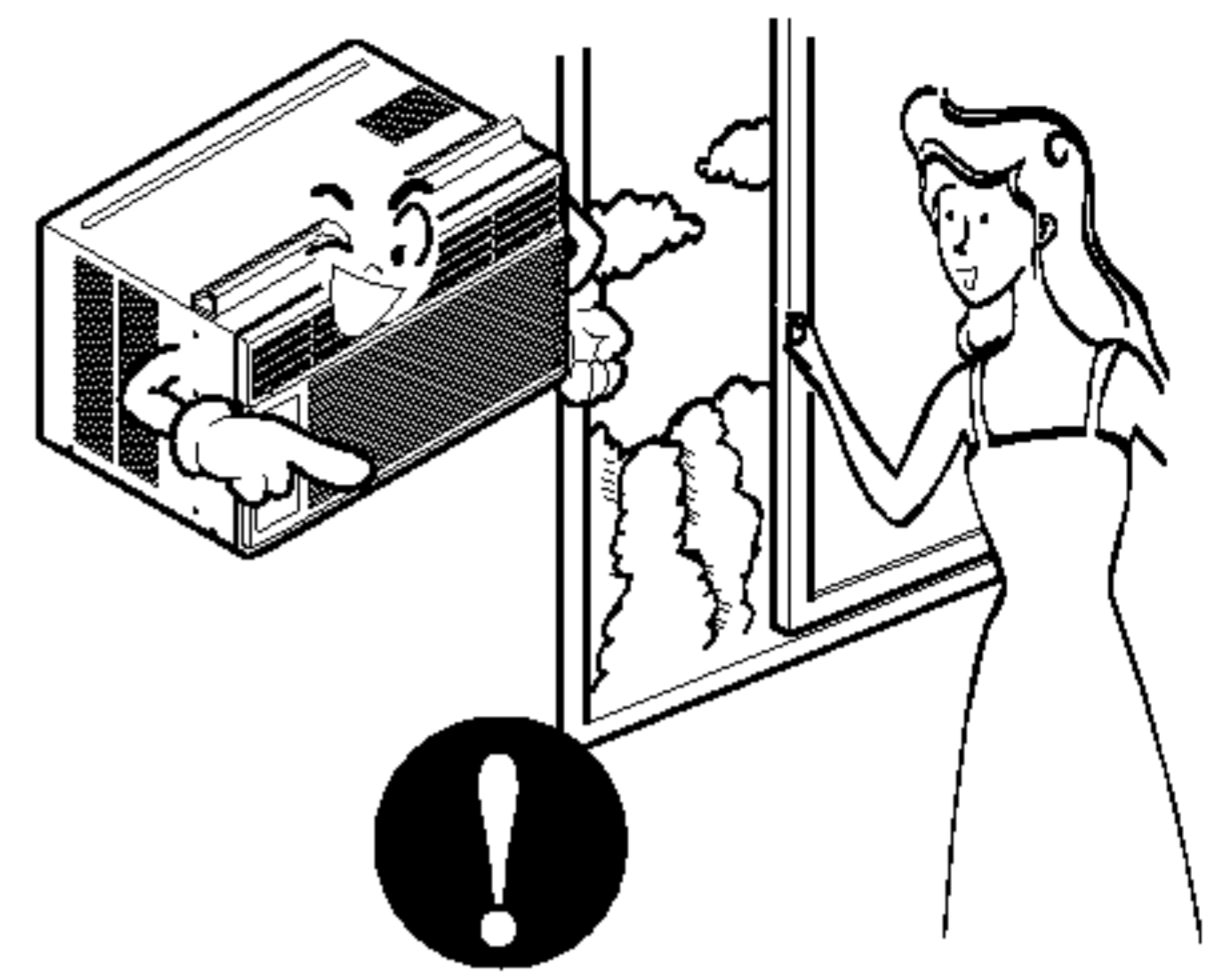
Deje la puerta cerrada mientras está operando el aire acondicionado.

- Ésta no está diseñado para enfriar la casa entera.



Ventile antes de hacer funcionar el acondicionador de aire cuando sale el gas.

- Puede causar explosión, incendio, quemaduras.

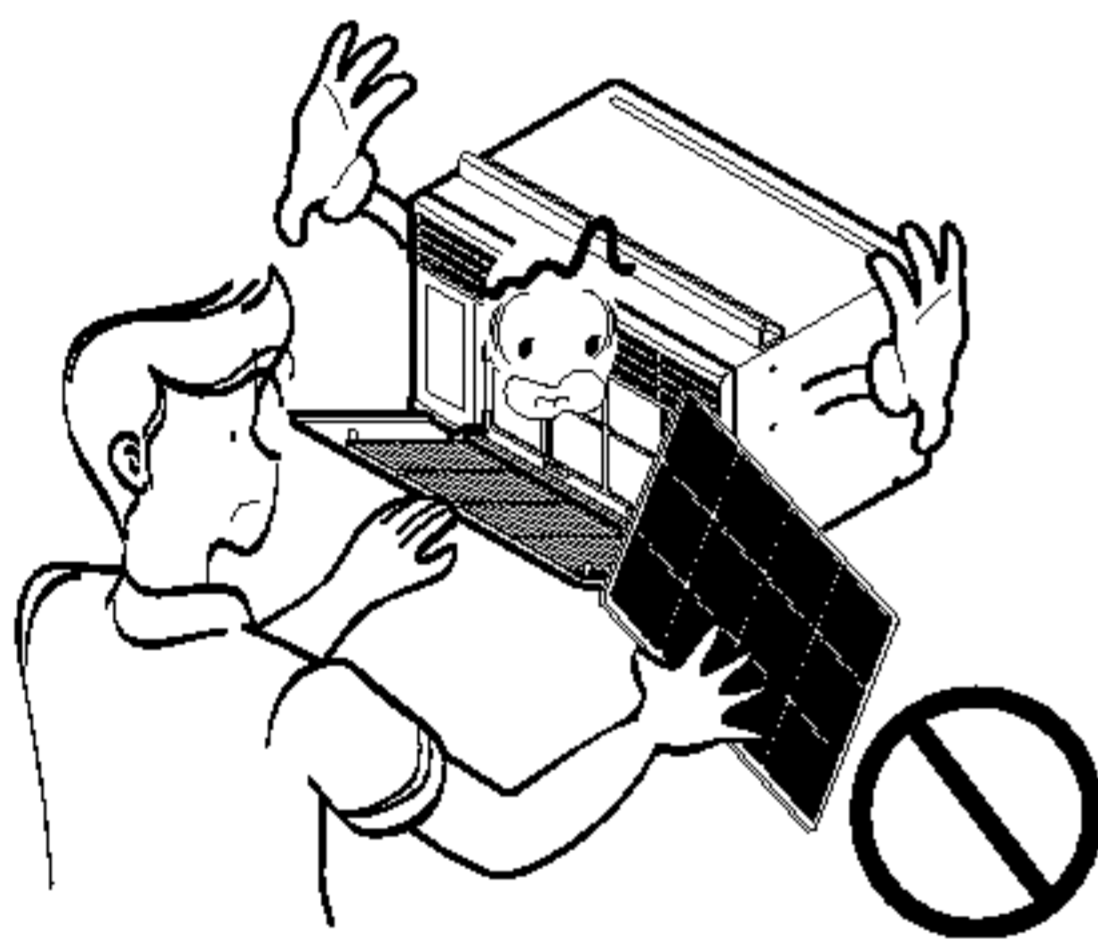


⚠ PRECAUCION

■ Instalación

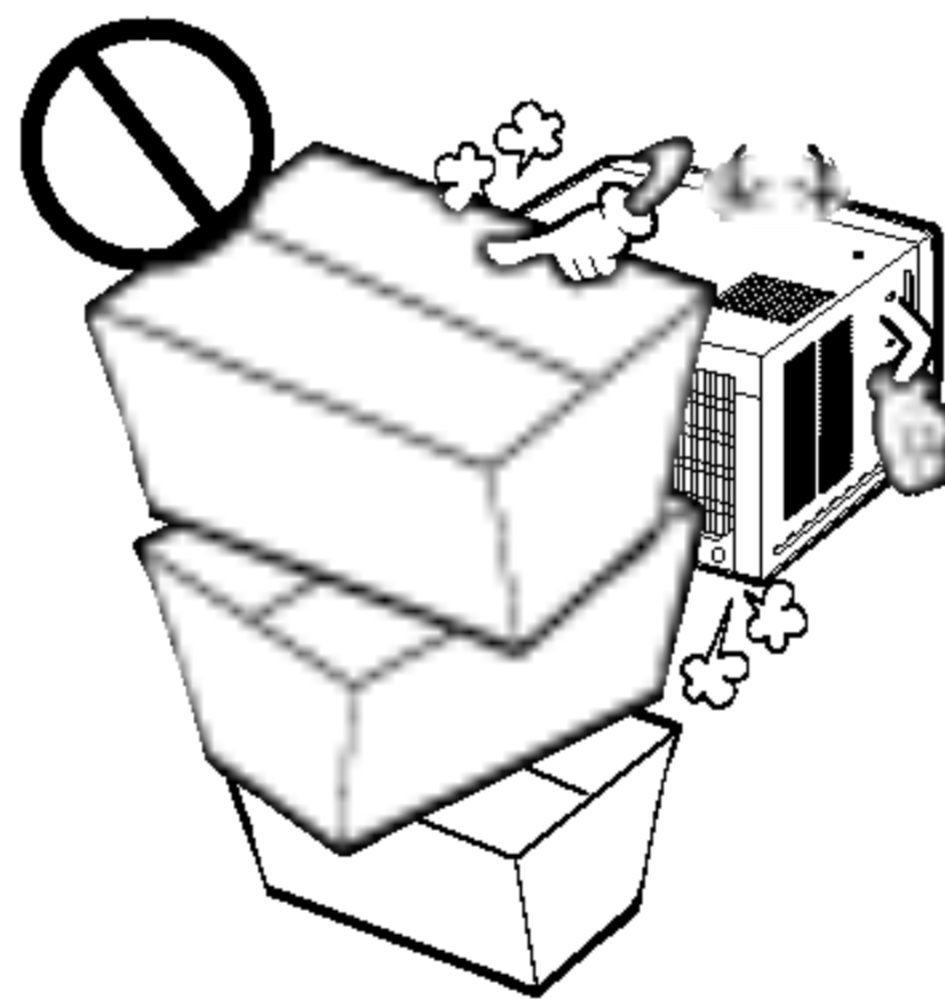
Nunca toque las piezas de metal de la unidad cuando quite el filtro.

- Son filosas y pueden causar lesiones.



No bloquee la entrada o la salida de aire.

- Puede causar fallos en la unidad o accidentes.



Asegúrese de que la caja externa no está dañada por los años o desgaste.

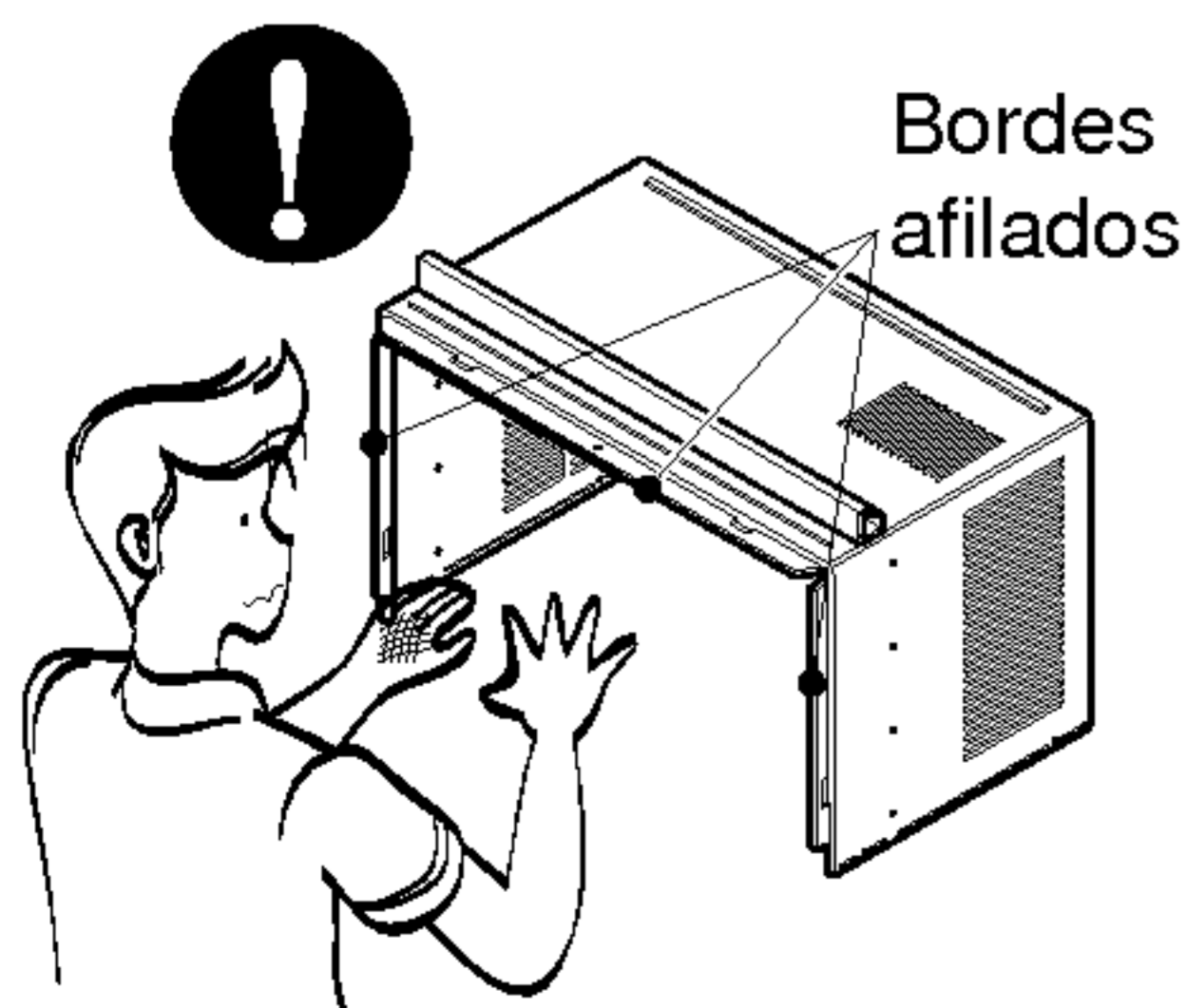
- Si se deja la unidad averiada, hay posibilidad de daños debido a que esta puede caer. Hay responsabilidad sobre el daño debido a falla del producto.



■ Funcionamiento

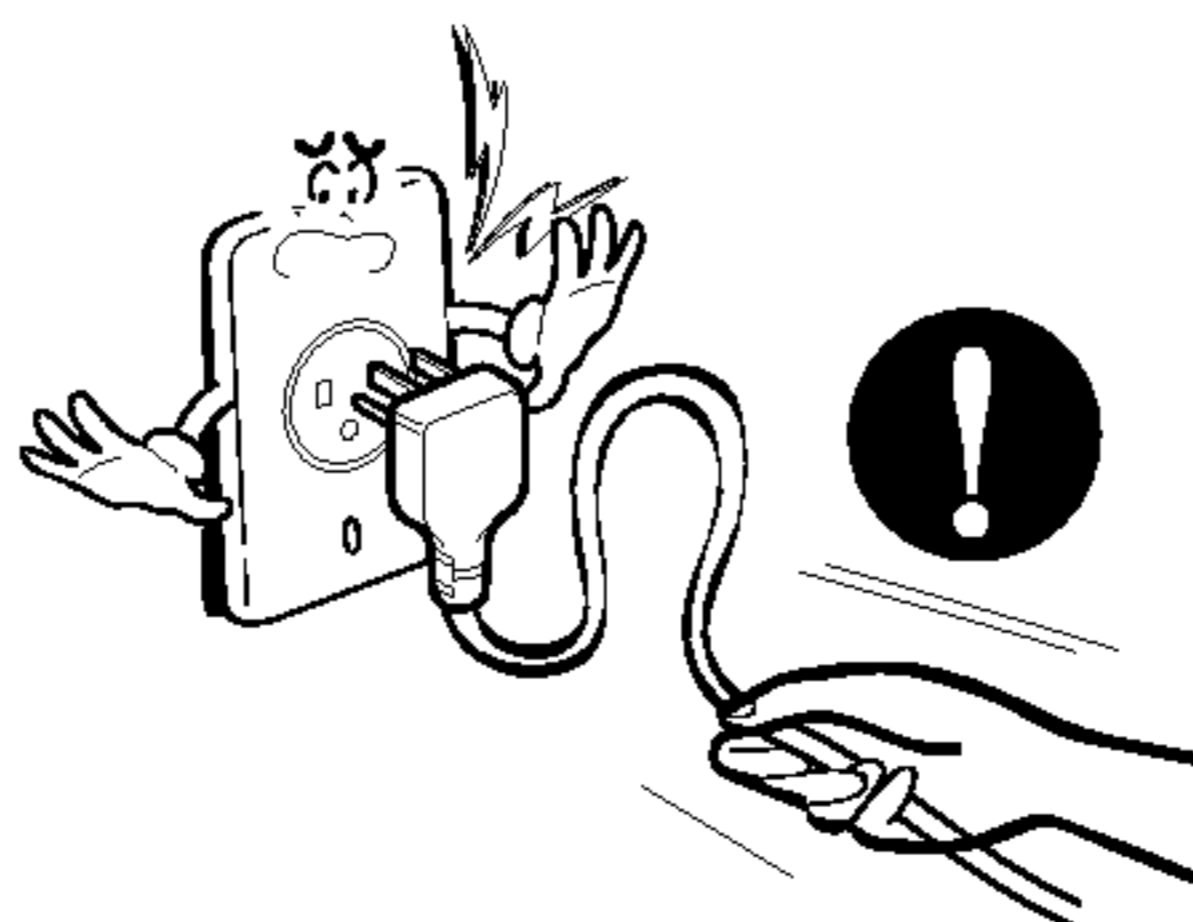
Al momento de su instalación, evite que se contacte con los bordes afilados.

- Hay riesgo de lesiones personales.



Sostenga el enchufe por el cuerpo (no del cable) cuando lo saque.

- Puede causar descarga eléctrica y daño.



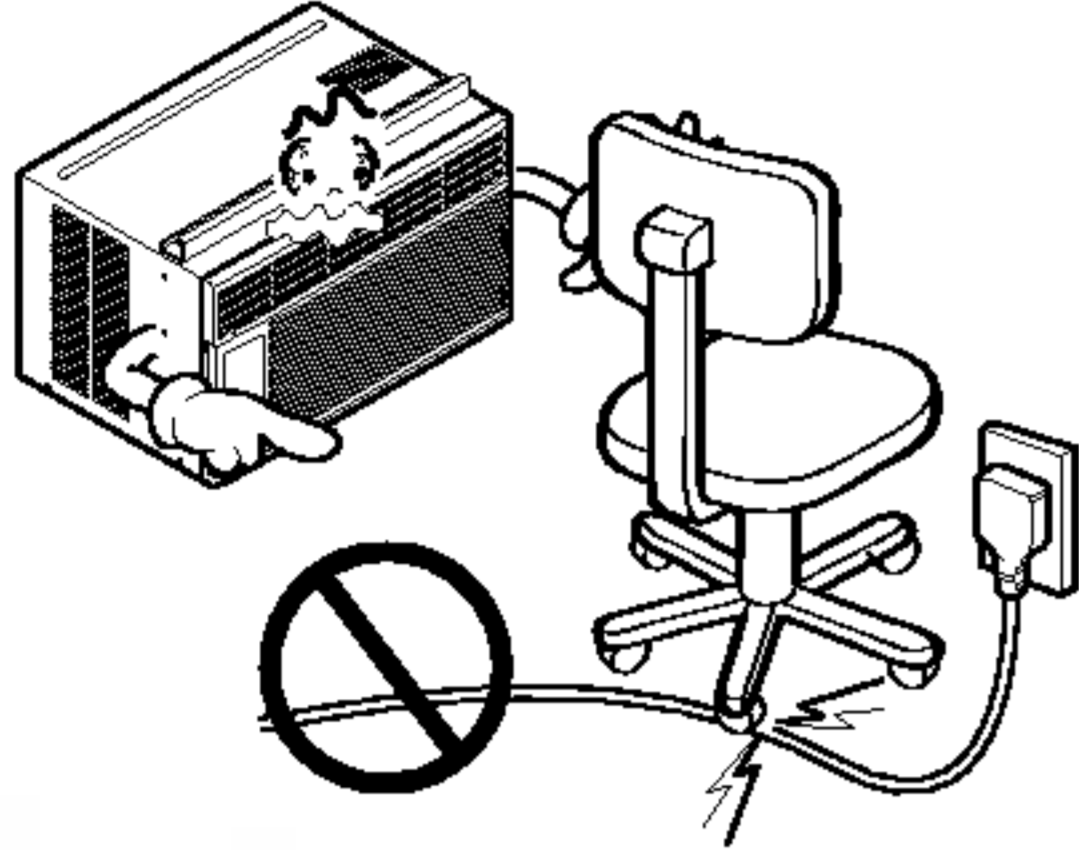
Desconecte el interruptor principal de energía cuando no lo esté usando.

- Prevenga un arranque accidental y la posibilidad de lesiones.

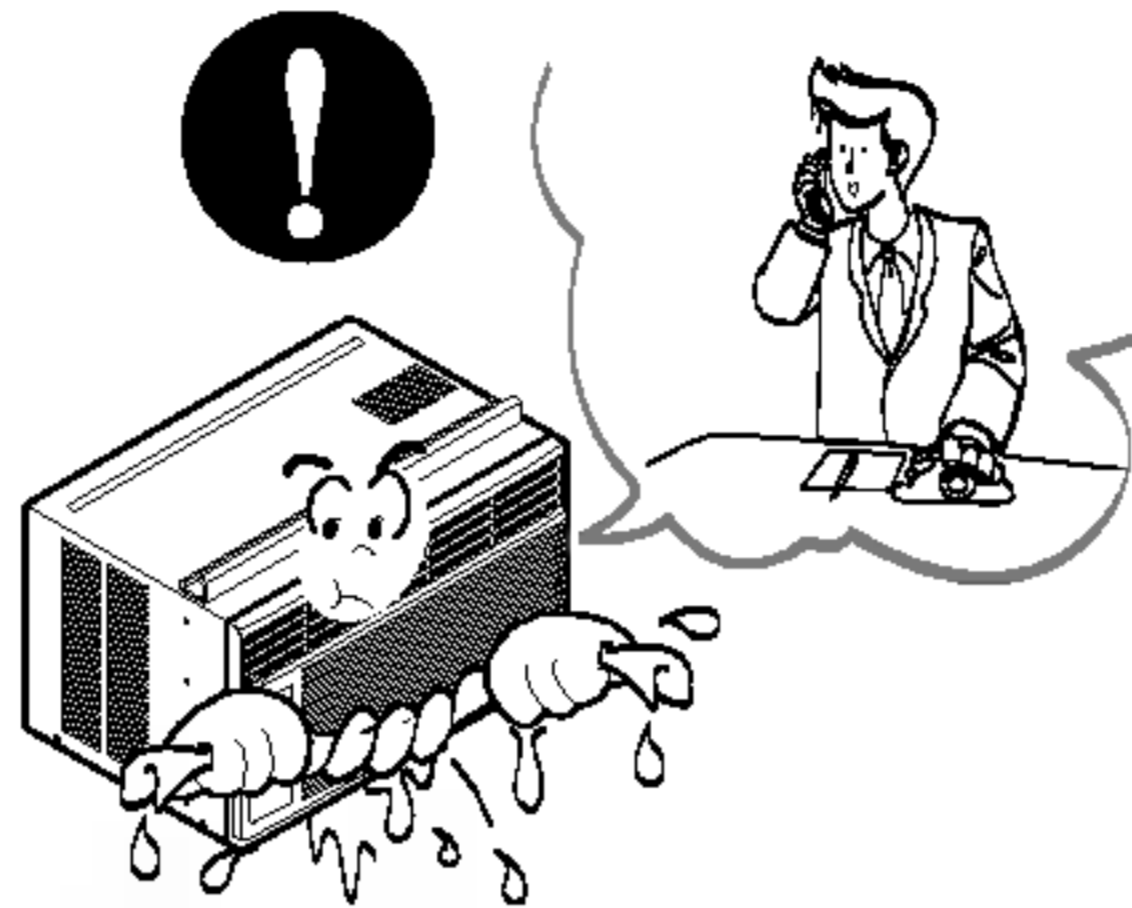


No coloque objetos sobre el cable de corriente y cuide que el cable no quede presionado.

- Hay peligro de incendio o de descarga eléctrica.

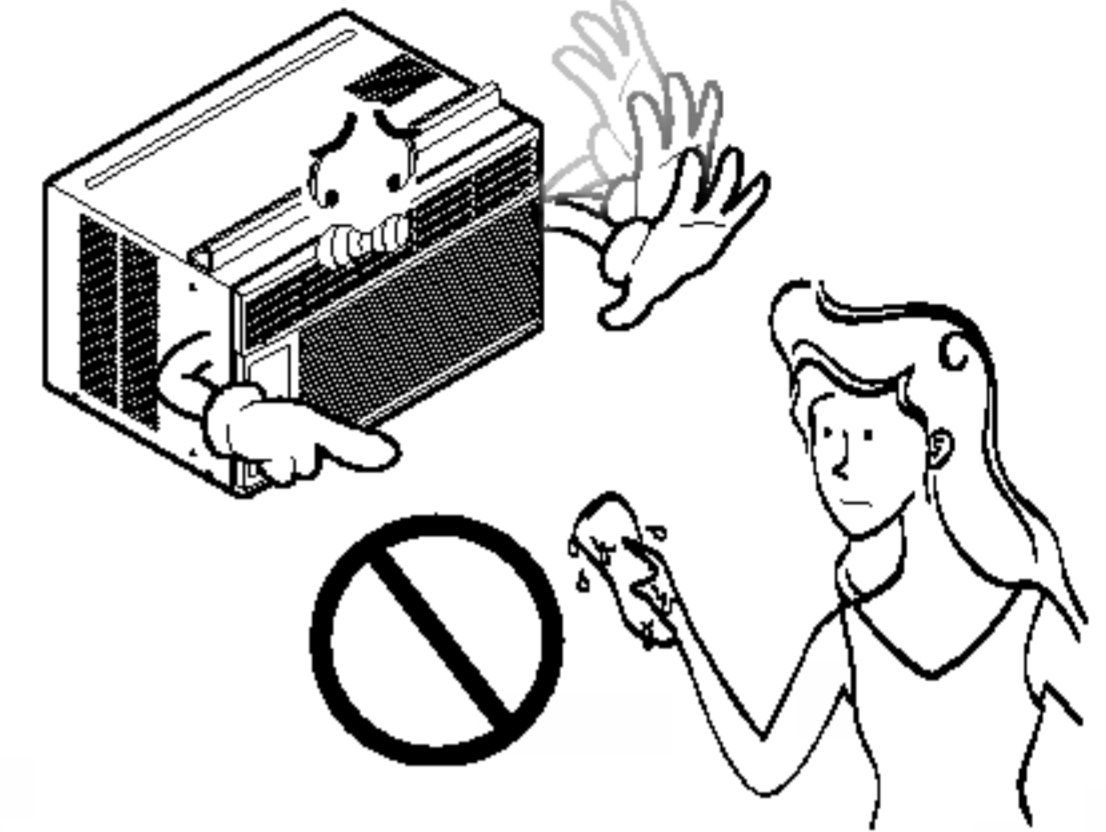


Si entra agua a la unidad, gire el interruptor principal del artefacto. Tome contacto con el centro de servicio después de desconectar el enchufe del tomacorriente.



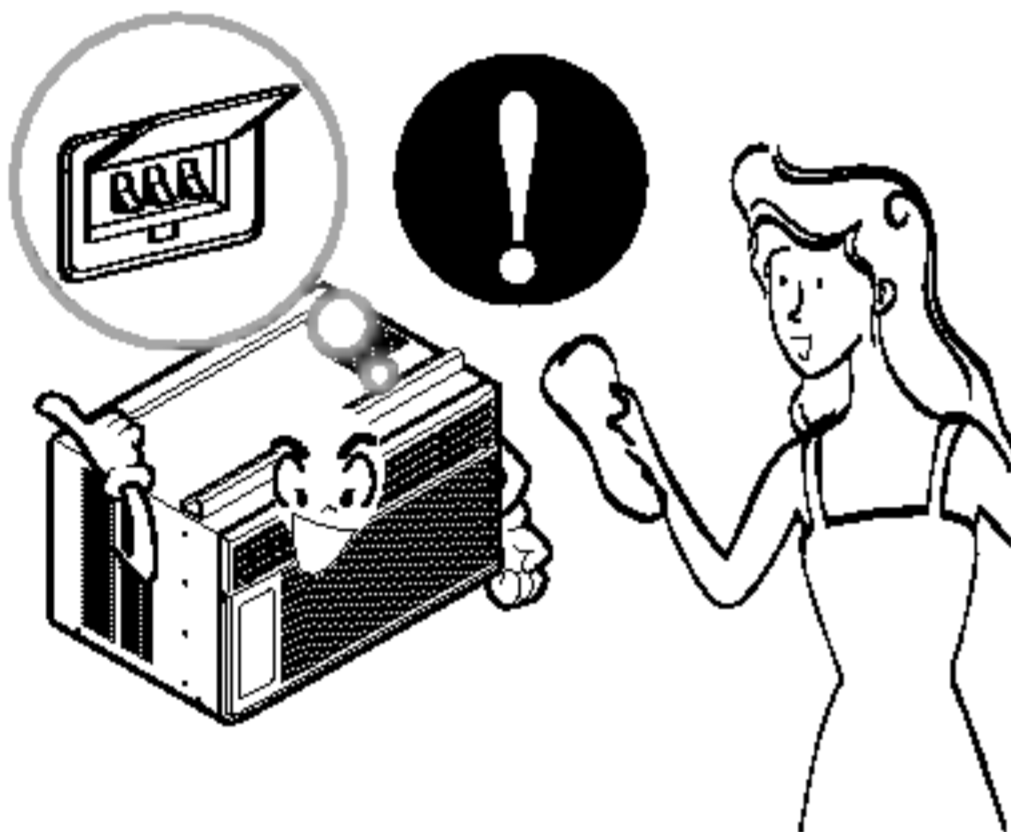
No limpie la unidad de aire acondicionado con agua.

- Puede entrar agua en la unidad y disminuir la aislación. Puede causar una descarga eléctrica.



Cuando limpie la unidad, asegúrese primero de que estén desconectados la energía y el interruptor.

- Como el ventilador gira a alta velocidad cuando está funcionando, puede causar lesiones.



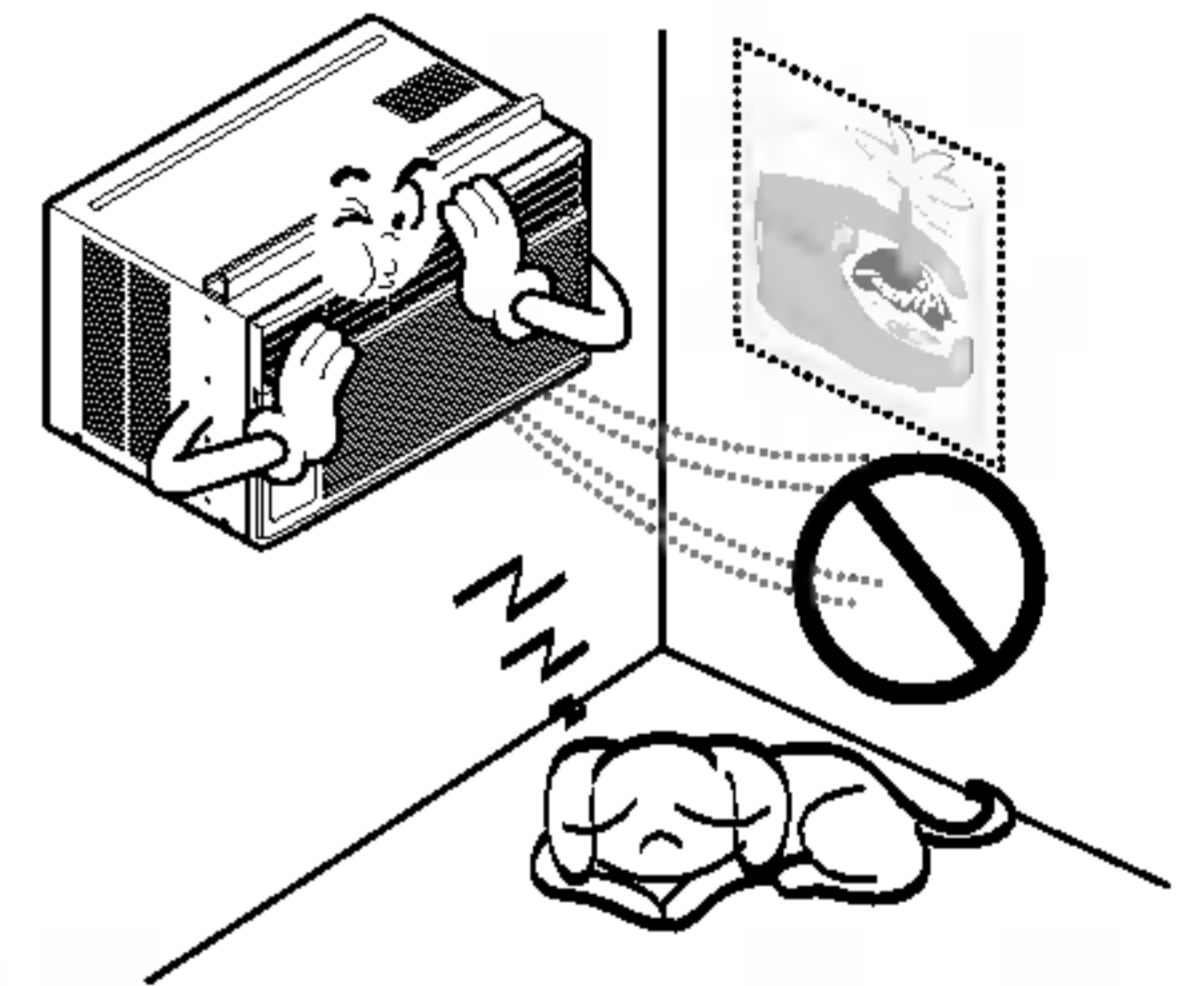
No coloque una mascota o una planta donde quede expuesto al flujo directo de aire.

- Este puede causar lesiones o daños en la mascota o la planta.



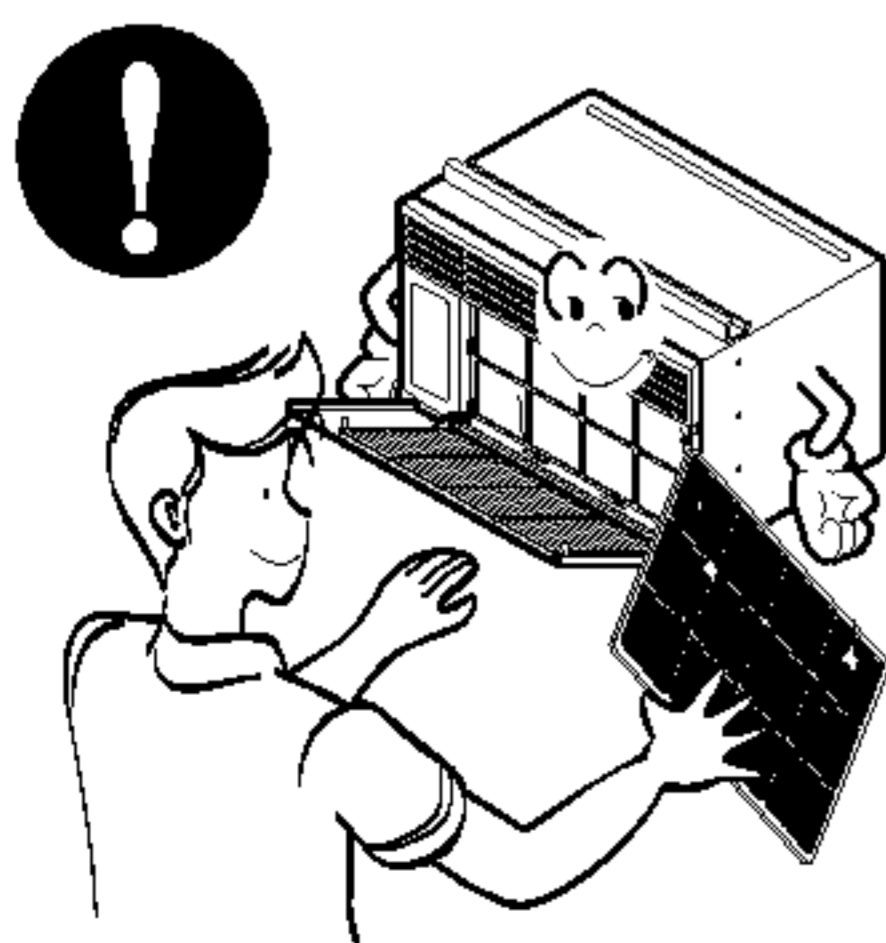
No use la unidad para propósitos especiales tales como animals o vegetales, máquinas de precision u objetos de arte.

- Puede causar daño a los animales o vegetales y pérdida de objetos.



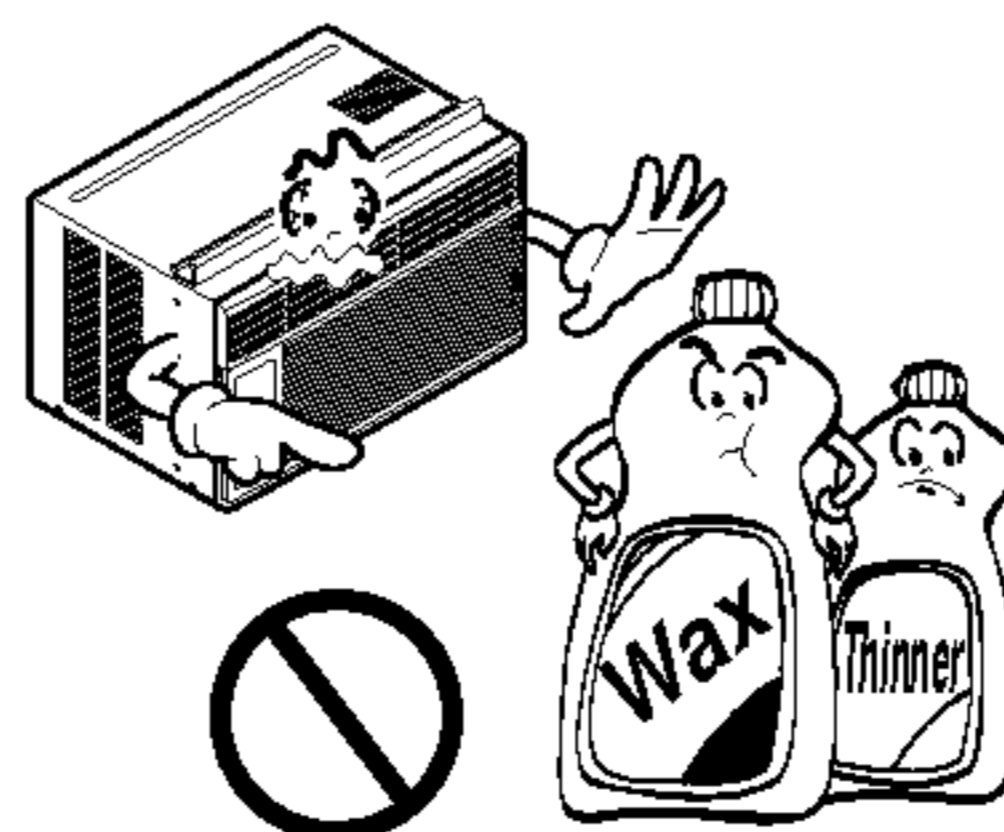
Siempre asegure los filtros al insertarlos. Límpielos cada dos semanas.

- El funcionamiento sin filtros puede dañar la unidad.



Use una paño suave para limpiar. No use ceras, solventes o un detergente fuerte

- La unidad del aire acondicionado puede deteriorarse, cambiar de color, o desarrollar manchas en la superficie.



No beba el agua drenada del acondicionador de aire. No dirija el flujo de agua sólo a los ocupantes de la habitación.

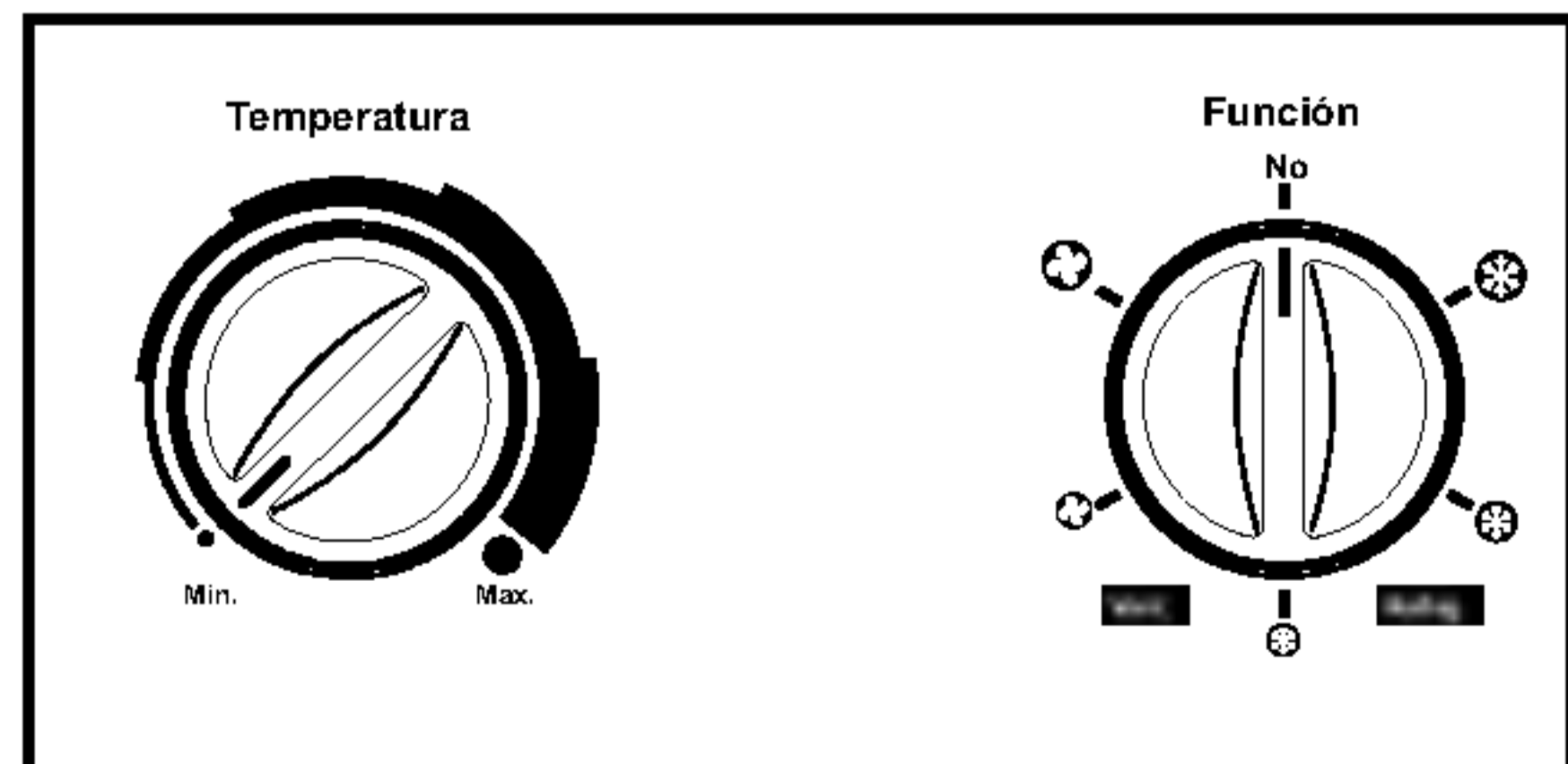
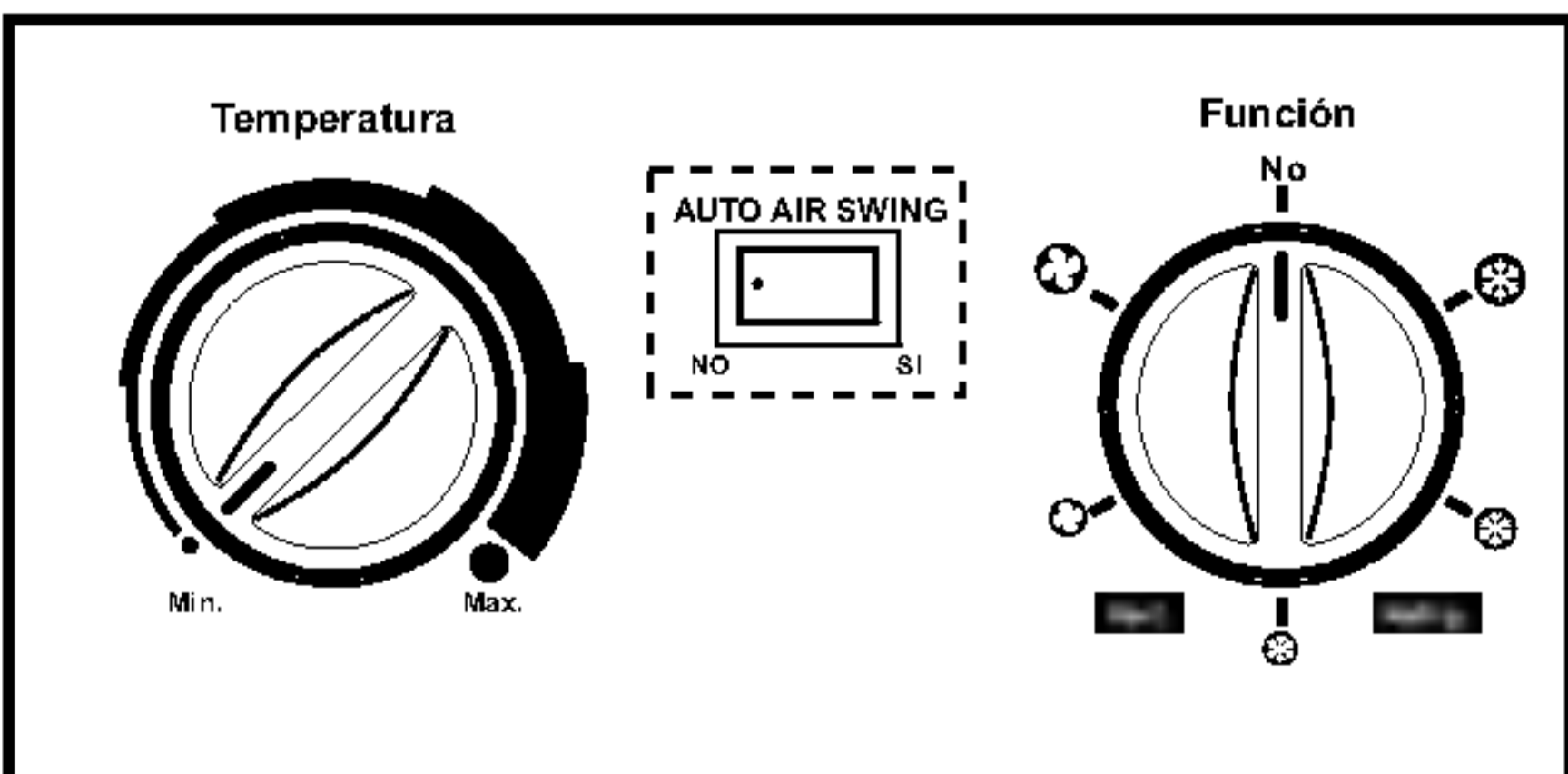
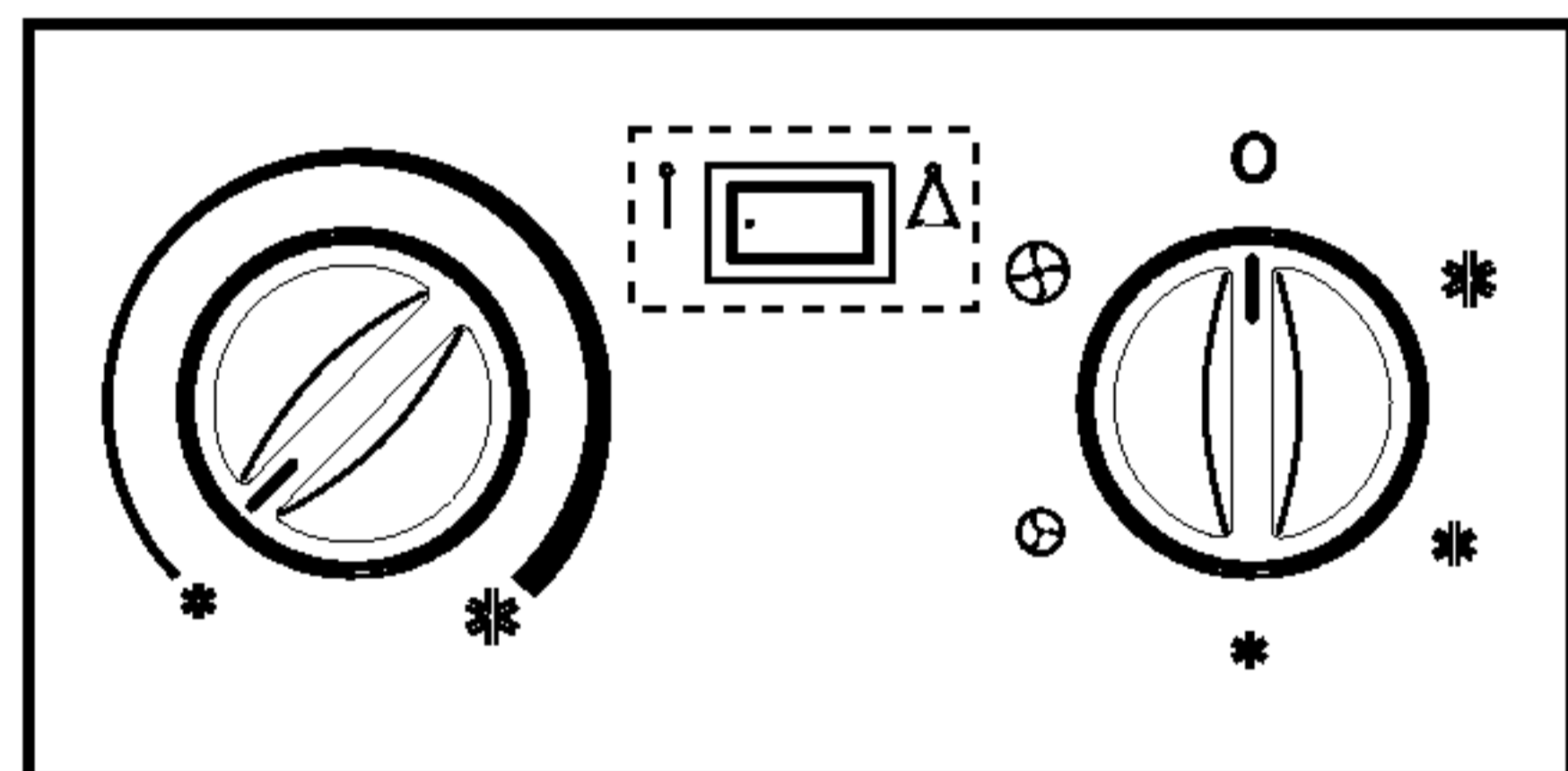
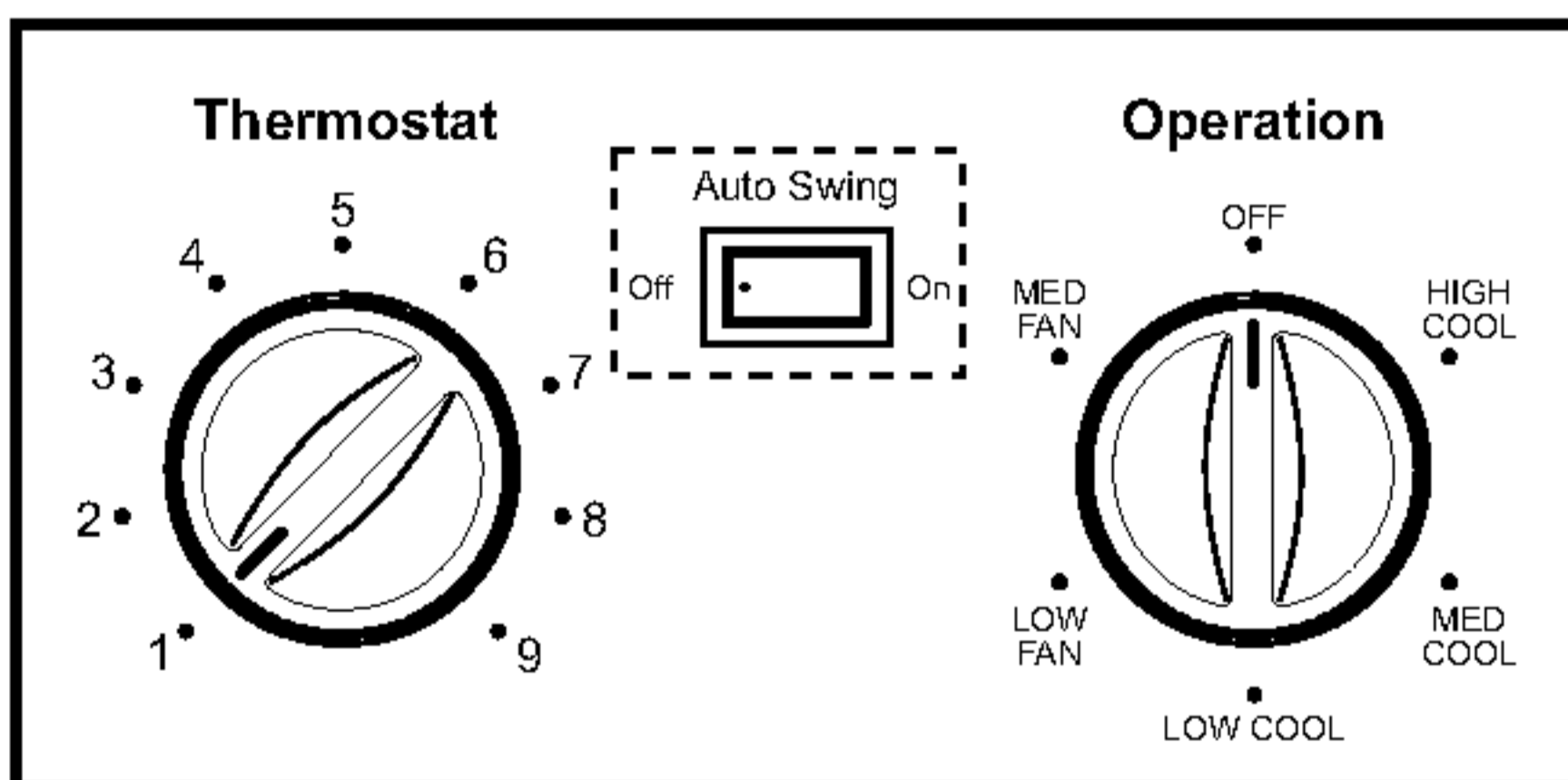
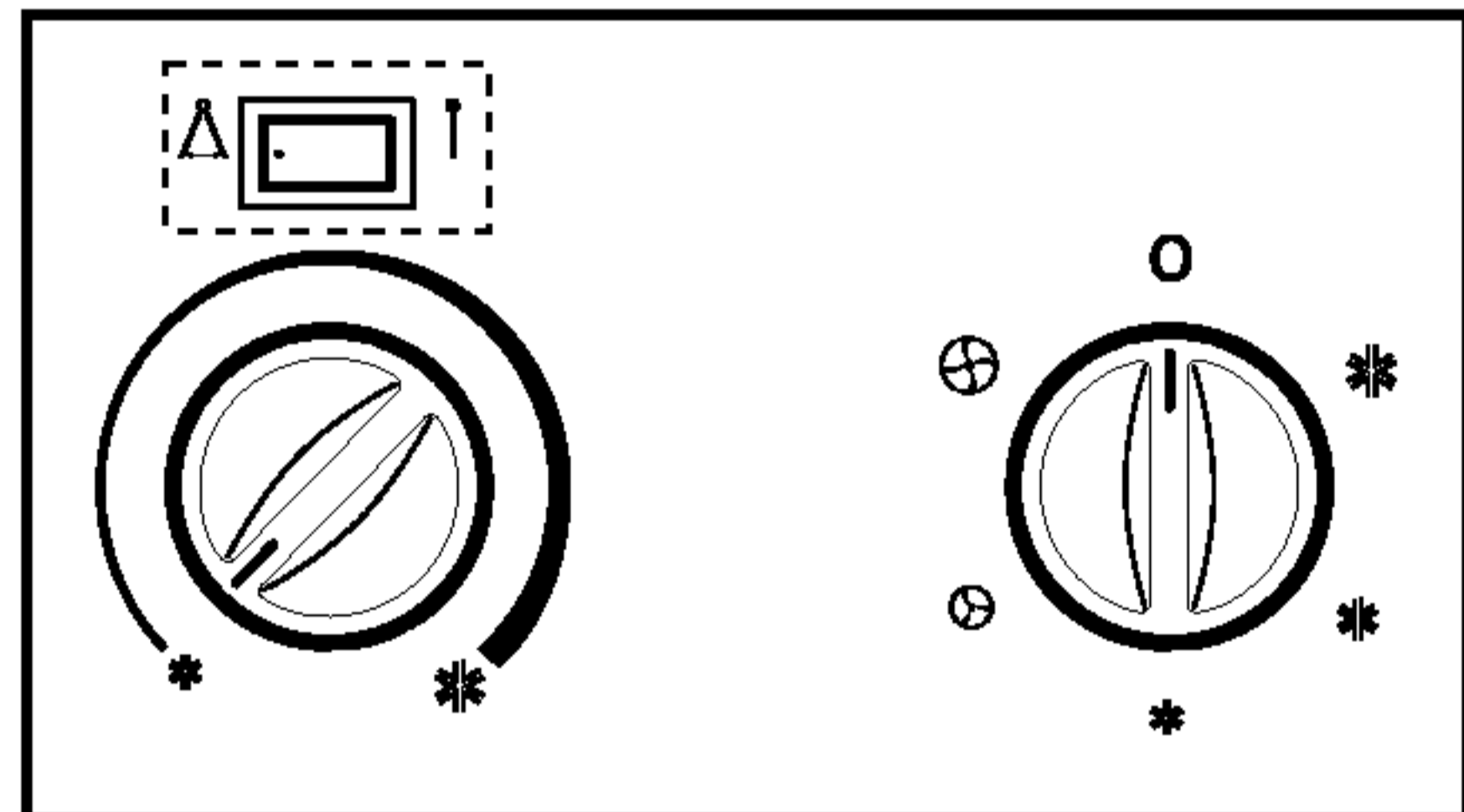
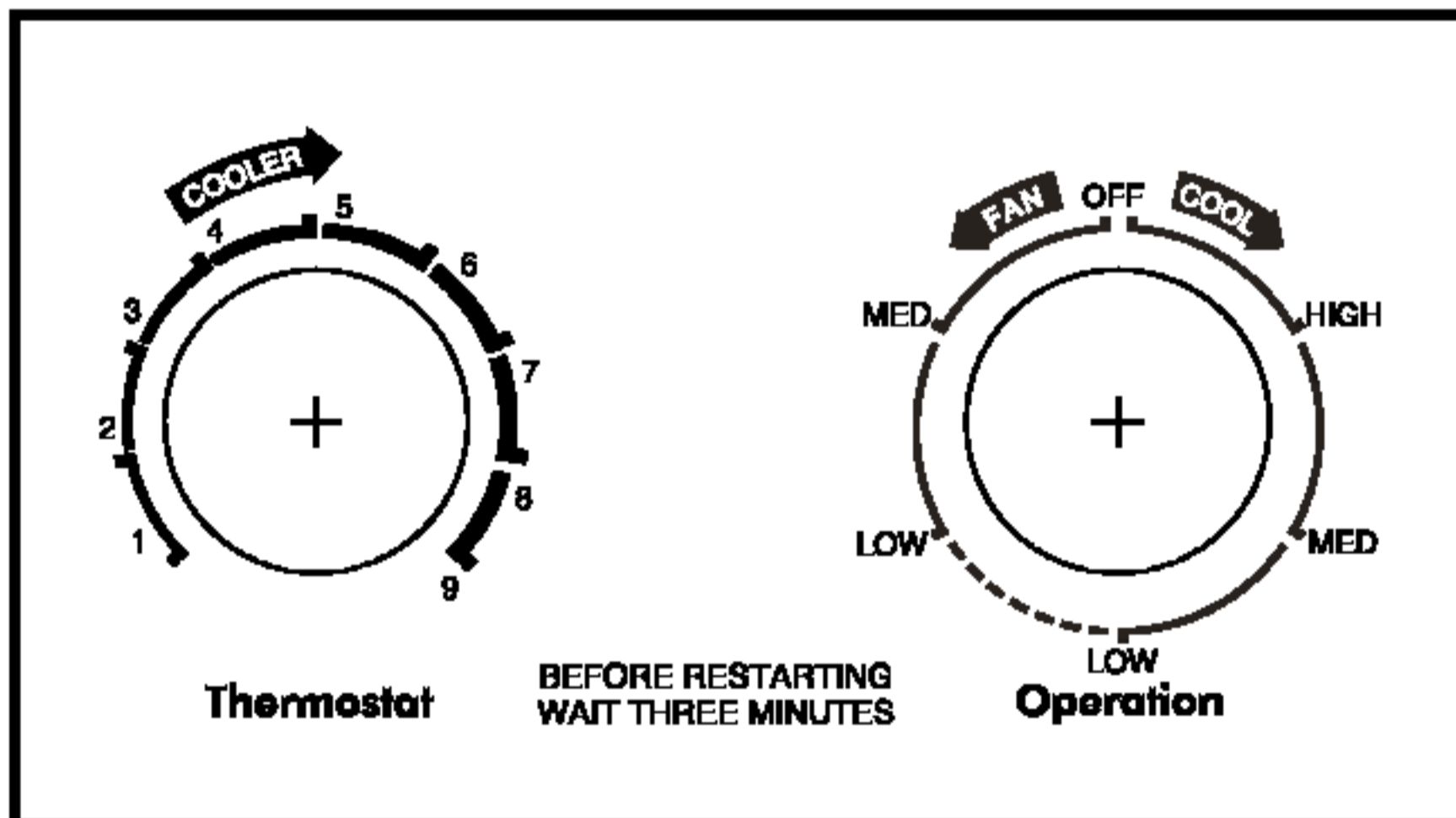
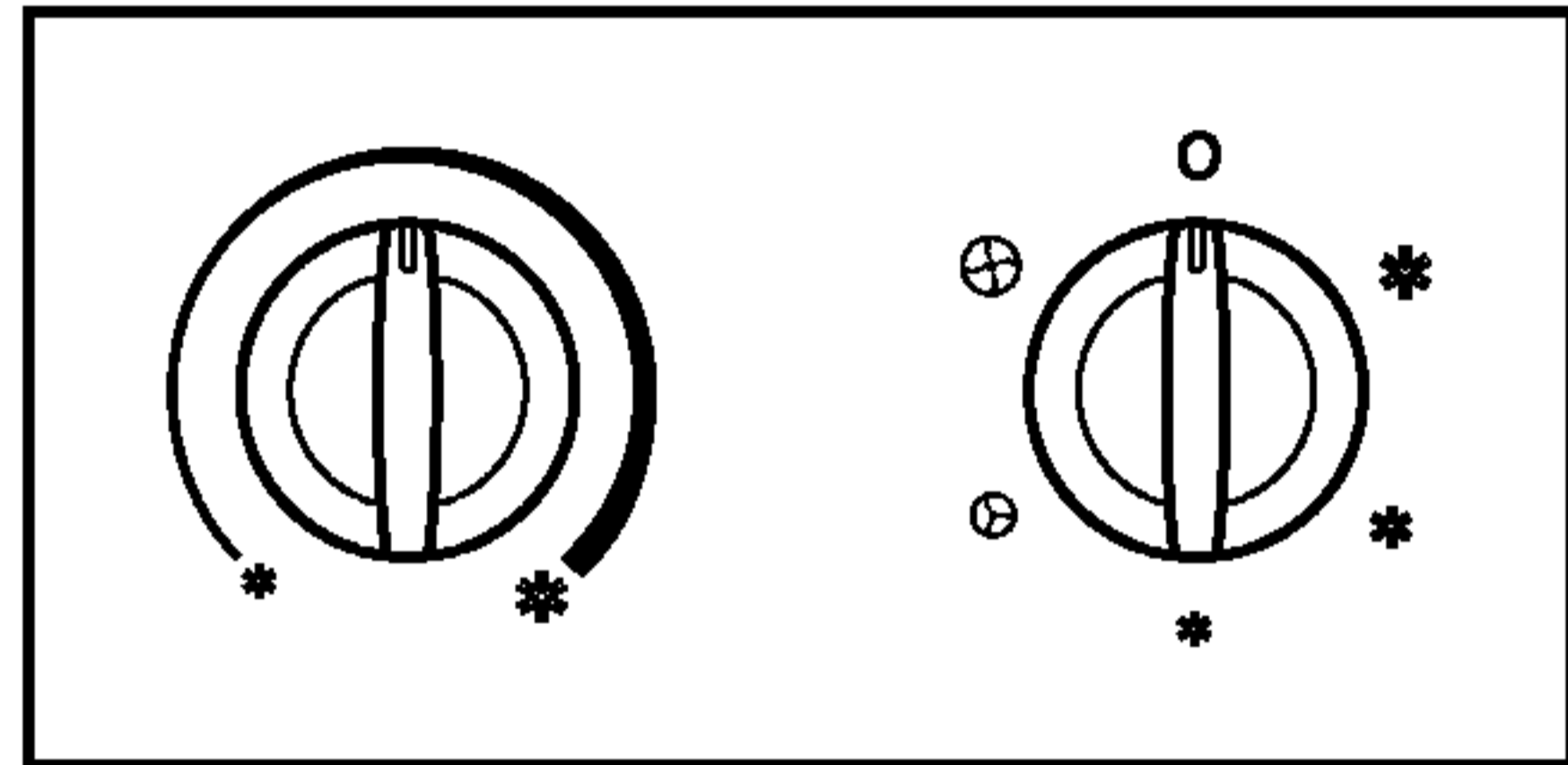
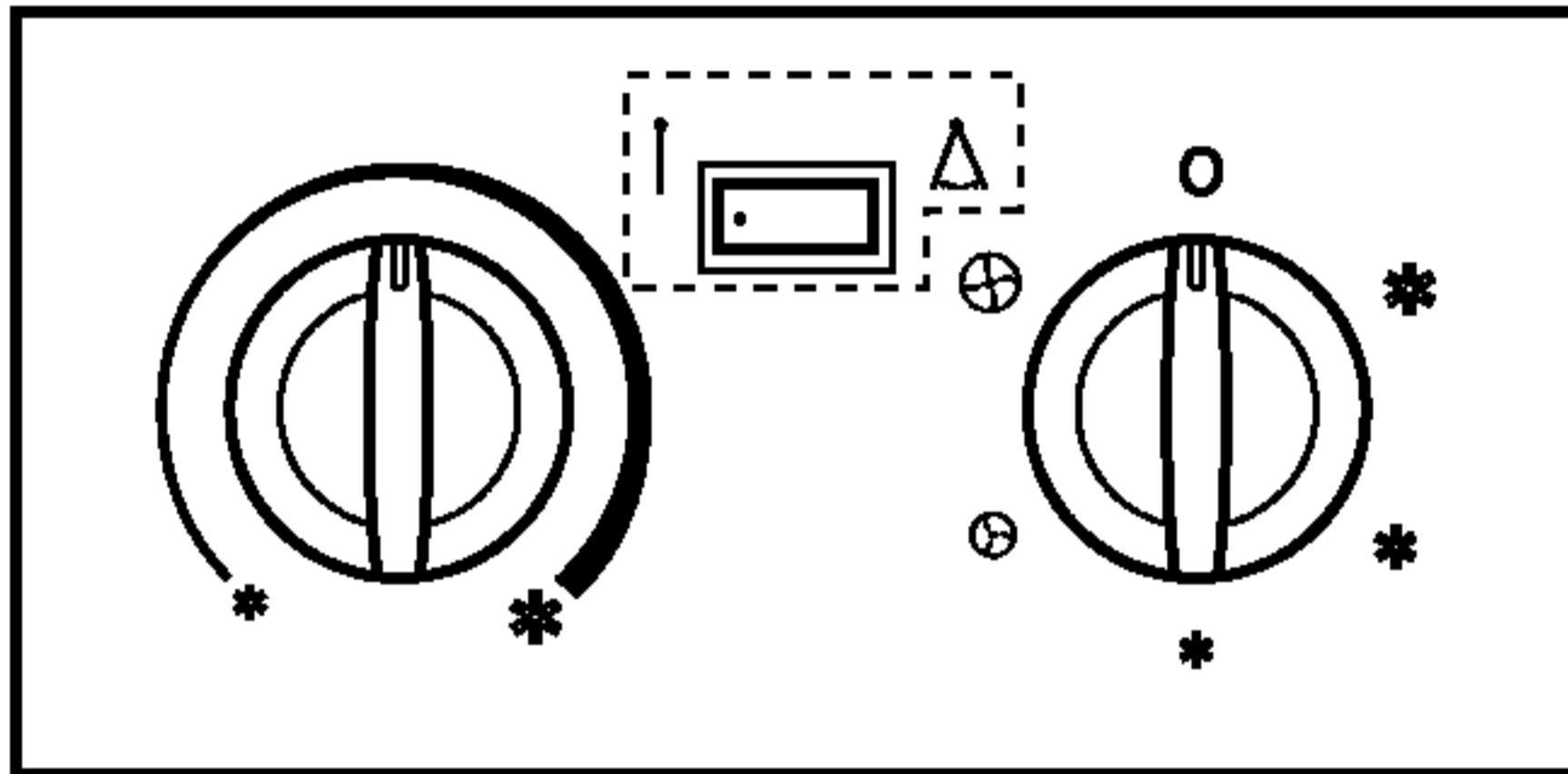
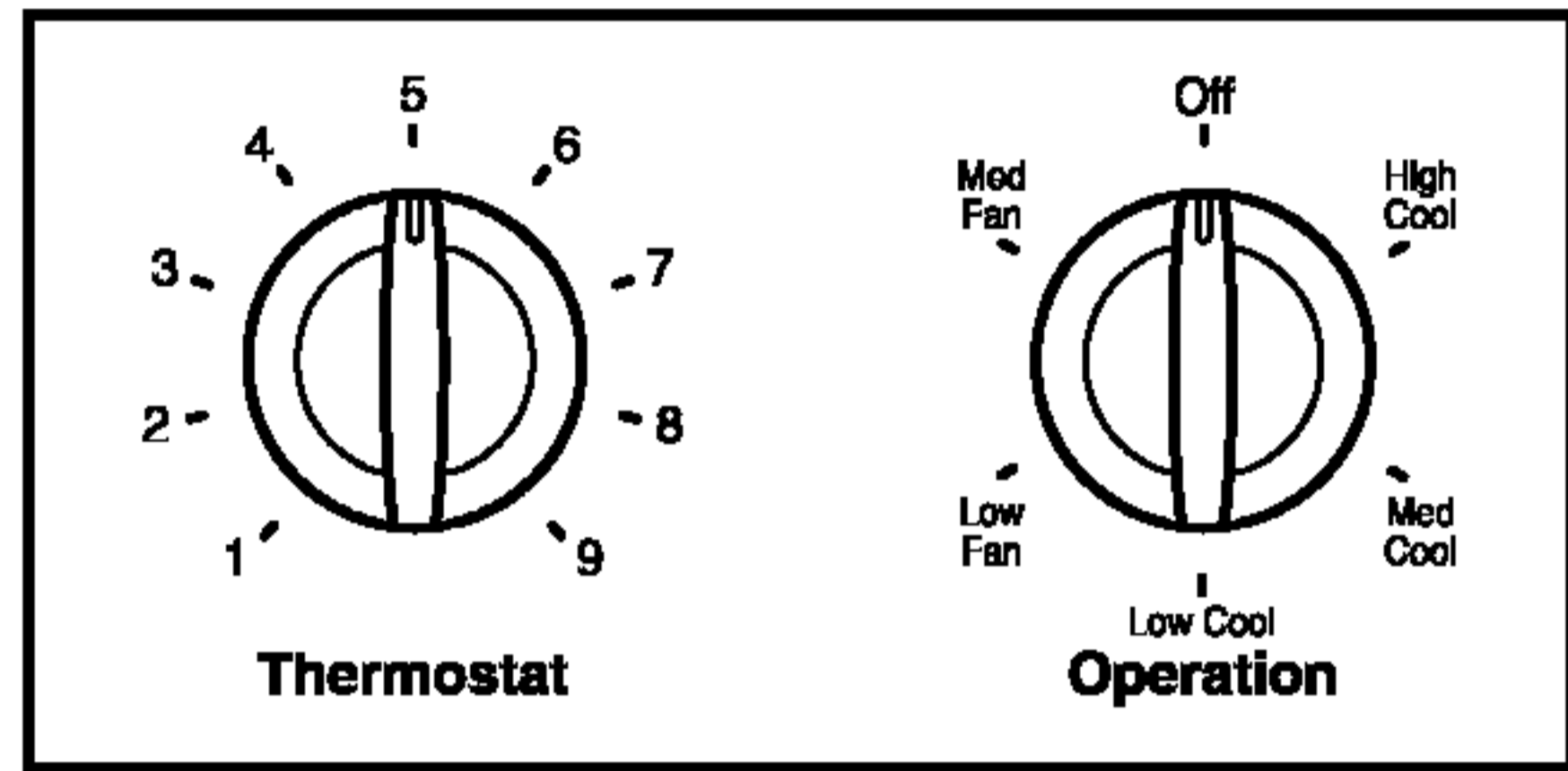
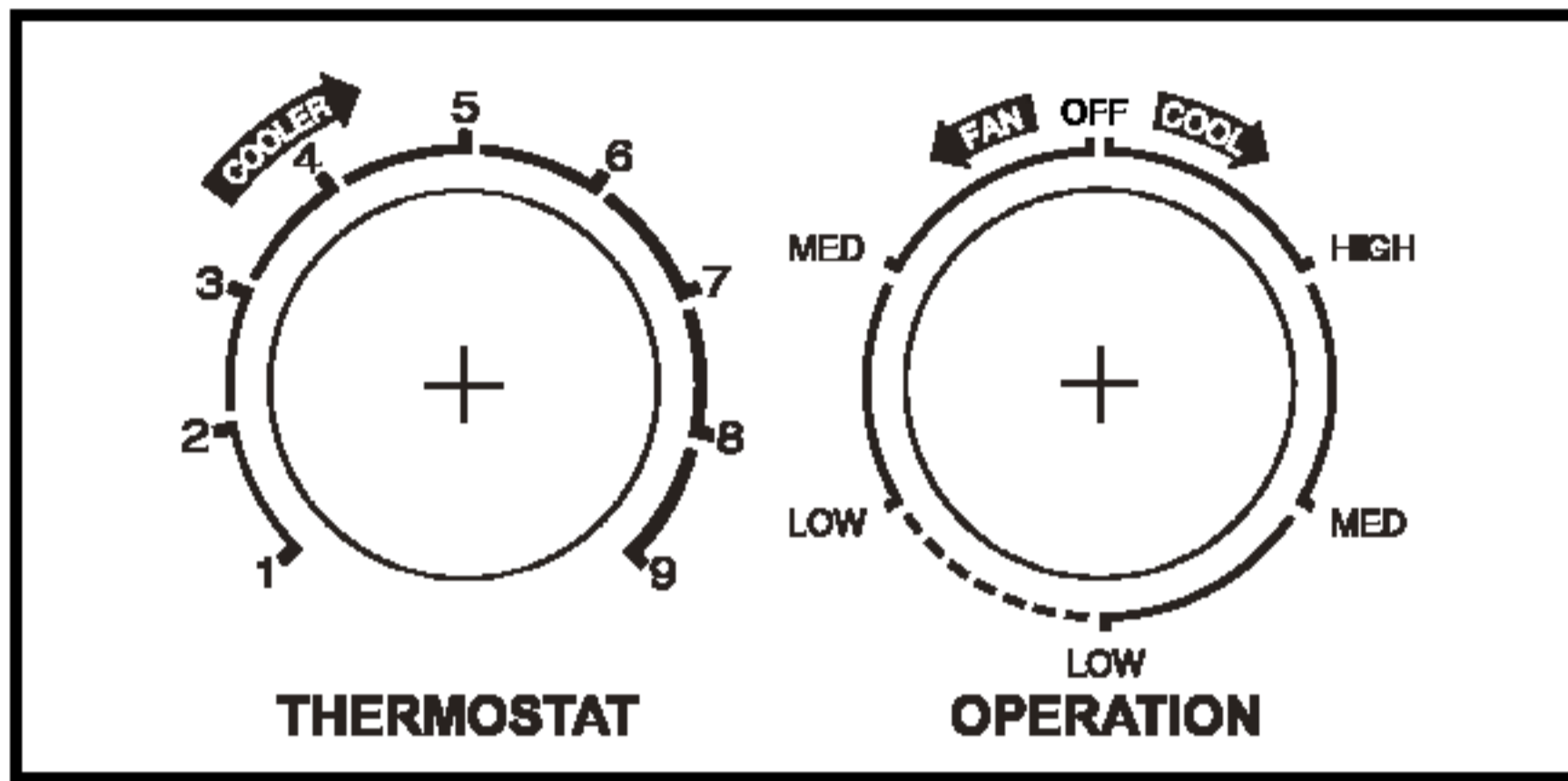
- Contiene elementos que pueden ser nocivos para su salud. / Esto puede dañar su salud.



Controles

Los controles serán como alguno de los siguientes.

NOTA  : Opcional



■ OPERATION (FUNCIONAMIENTO)

High Cool ❄️ (Enfriamiento Alto), **Med Cool** ❄️ (Enfriamiento Medio) y **Low Cool** ❄️ (Enfriamiento Bajo) enfrían con distintas velocidades del ventilador. **Med Fan** ⌚ (Ventilador Medio) o **Low Fan** ⌚ (Ventilador Bajo) proporcionan circulación del aire y filtrado sin enfriamiento. **Off** ○ (Desactivado) desconecta el acondicionador de aire.

NOTA : Si cambia el conmutador desde una configuración de enfriamiento a OFF o a una configuración de ventilador, espere 3 minutos como mínimo antes de volver a conectar a una configuración de enfriamiento.

Descripciones del Enfriamiento

Para una Enfriamiento normal – Seleccione **High Cool** o **Med Cool** con el mando **Operation** en el punto medio del mando **Thermostat**.

Para una Enfriamiento máximo – Seleccione **High Cool** con el mando **Operation** en el número más alto disponible en su mando **Thermostat**.

Para una Enfriamiento más suave y durante las horas nocturnas – Seleccione **Low Cool** con el mando **Operation** en el punto medio del mando **Thermostat**.

■ THERMOSTAT (TERMOSTATO)

El THERMOSTAT se utiliza para mantener la temperatura de la habitación. El compresor se apagará y encenderá de forma cíclica para mantener la habitación con el mismo nivel de confort. Cuando gire el mando a un número mayor (hacia la derecha), el aire se hará más frío.

Las posiciones **5** o **6** (posición media del arco) es una configuración normal para unas condiciones medias.

■ AUTO SWING (OSCILACIÓN AUTOMÁTICA) (Opcional)

El interruptor Auto Swing controla la dirección horizontal del aire mediante un sistema de oscilación (no en todos los modelos).

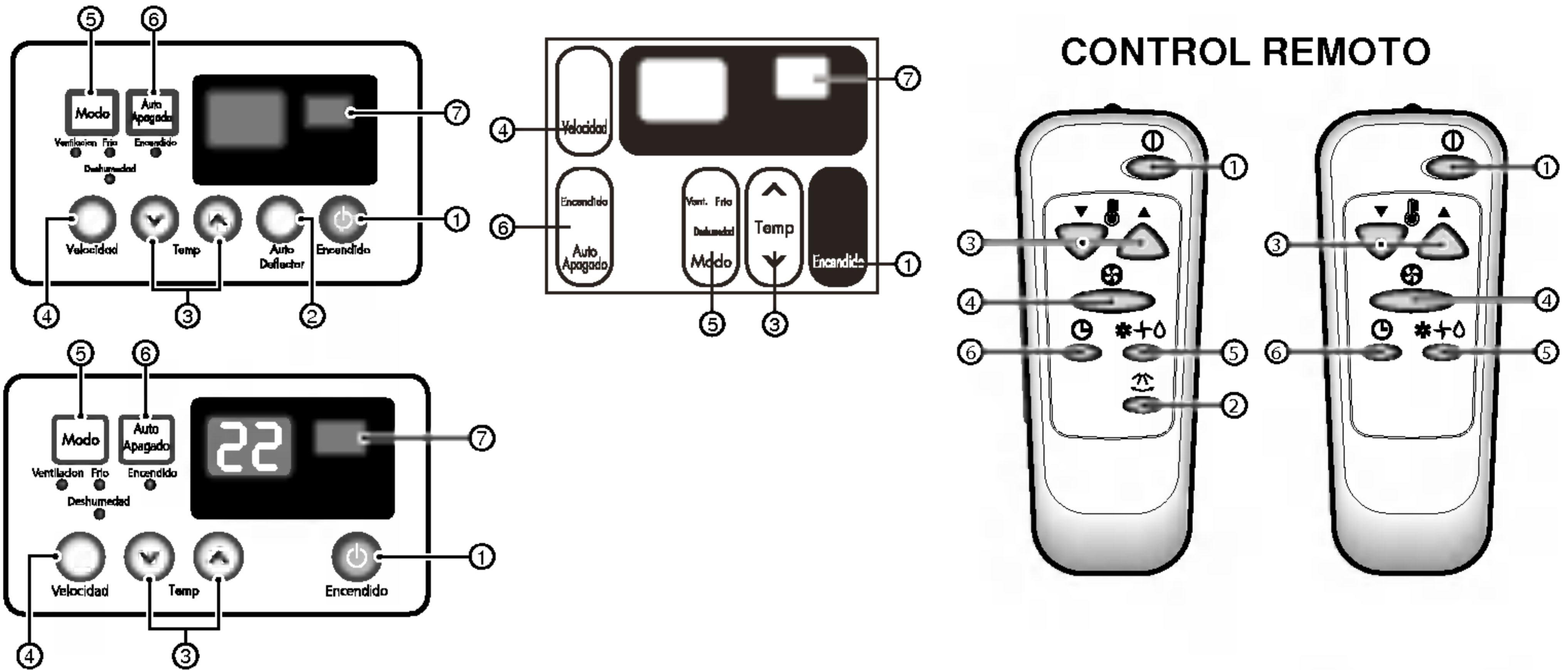
ON (⚡): La oscilación automática está en funcionamiento

OFF (⚡): la oscilación automática no está en funcionamiento



ATENCIÓN : Cuando el acondicionador de aire ha estado realizando su función de enfriamiento y se desconecta o pasa a la posición de ventilador, espere como mínimo 3 minutos antes de volver a ajustarlo para enfriamiento.

Los controles tendrán el aspecto de los siguientes esquemas.



Controles



ATENCIÓN : La unidad de Control Remoto no funcionará adecuadamente si la ventanilla del sensor del acondicionador de aire recibe luz demasiado fuerte o si hay obstáculos entre la unidad de Control Remoto y el acondicionador de aire.

1. BOTÓN DE LA CORRIENTE

Se pone en marcha. Cuando este botón está apretado, se detiene apretándolo de nuevo.

2. AUTO DEFLECTO (Opcional)

Las aletas se mueven verticalmente por un sistema automatico y se paran cuando presiona el botón otra vez.

3. BOTÓN DE SELECCIÓN DE LA TEMPERATURA DE LA HABITACIÓN

Controle la temperatura de la habitación en una escala entre 16 °C y 30 °C.

4. SELECTOR DE LA VELOCIDAD DEL VENTILADOR

Seleccione la velocidad del ventilador en tres pasos [Alto(F3) → Bajo(F1) → Medio(F2) → Alto(F3)...]

5. BOTÓN DE SELECCIÓN DEL MODO OPERACIONAL

Seleccionar con este botón los modos para Refrescar, Ventilar y Deshumer.

6. BOTÓN ON/OFF TIMER

Ponga la hora de empezar y terminar el funcionamiento. El timer está preajustado por una hora.(1 ~ 12Horas)

7. RECEPTOR DE SENAL

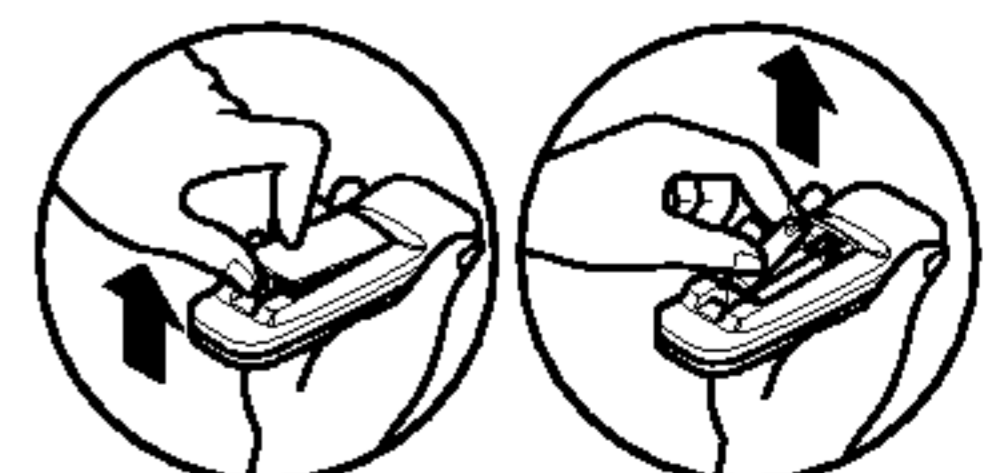
AUTO-ARRANQUE

En caso de fallo de la corriente eléctrica, la unidad funcionará como antes cuando vuelve la corriente.

Como Insertar las Baterías Part que Opere el Control Remoto

1. Remueva la tapa que se encuentra en la parte trasera del control remoto en la dirección que indica la flecha.
2. Inserte 2 pilas esté seguro de colocarlas en la polaridad que especifica en el dibujo grabado en el control.
3. Deslice nuevamente la tapa como indica la flecha para cerrar el compartimiento de las pilas.

- NO USE BATERIAS RECARGABLES
- CUANCO NO UTILICE EL CONTROL POR PERIODOS LARGOS NO DEJE LAS PILAS EN EL INTERIOR DEL CONTROL.

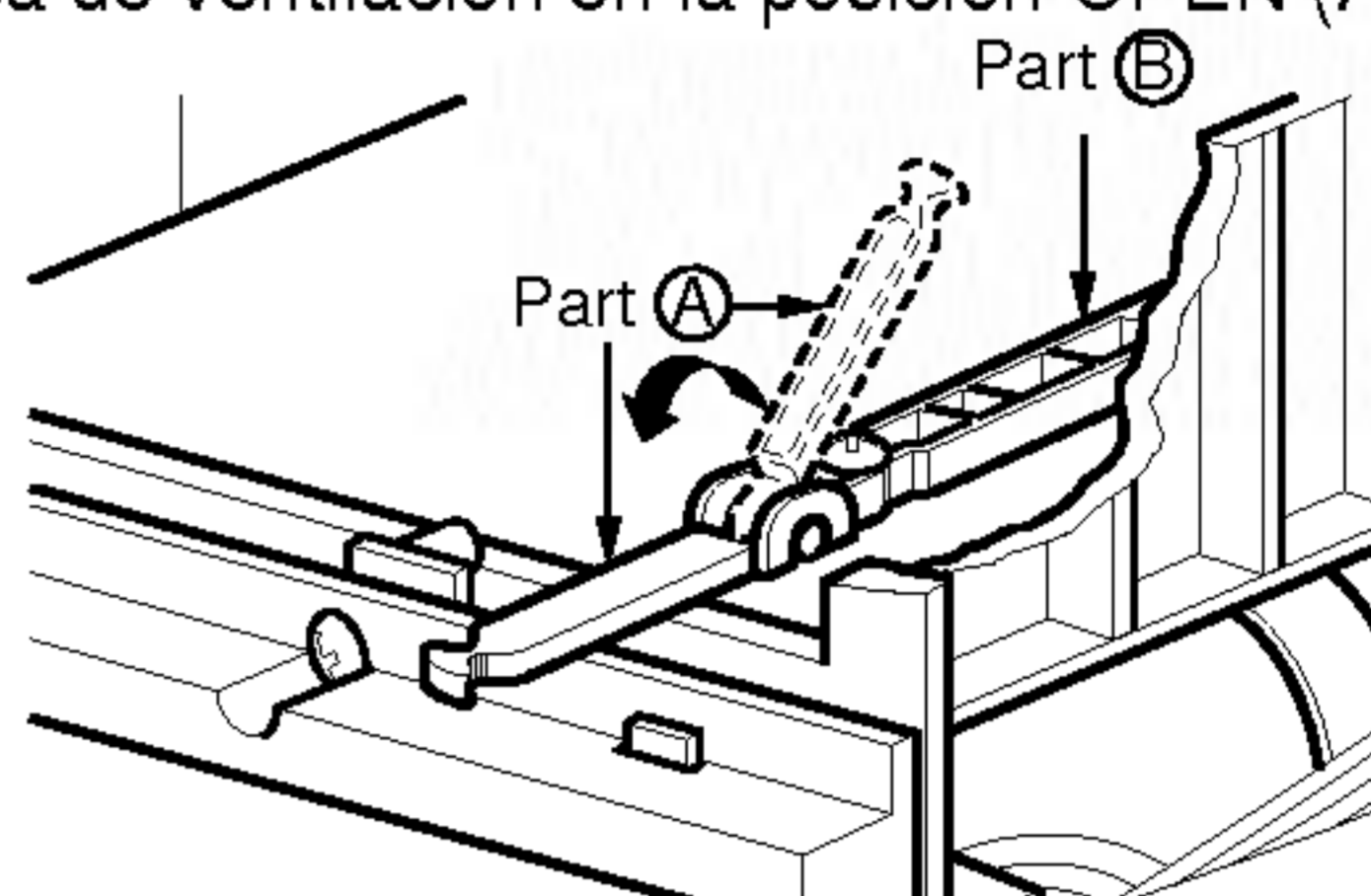
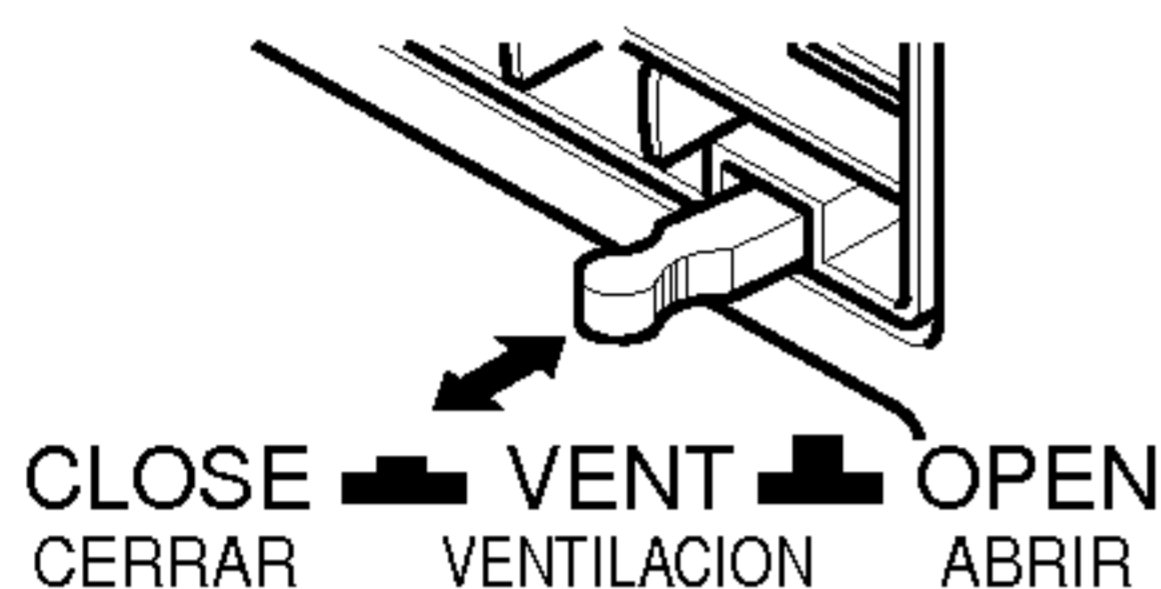


Controles adicionales e información importante.

Ventilación

La palanca de ventilación deberá estar en la posición CLOSE (Cerrado) para poder mantener las mejores condiciones de enfriamiento.

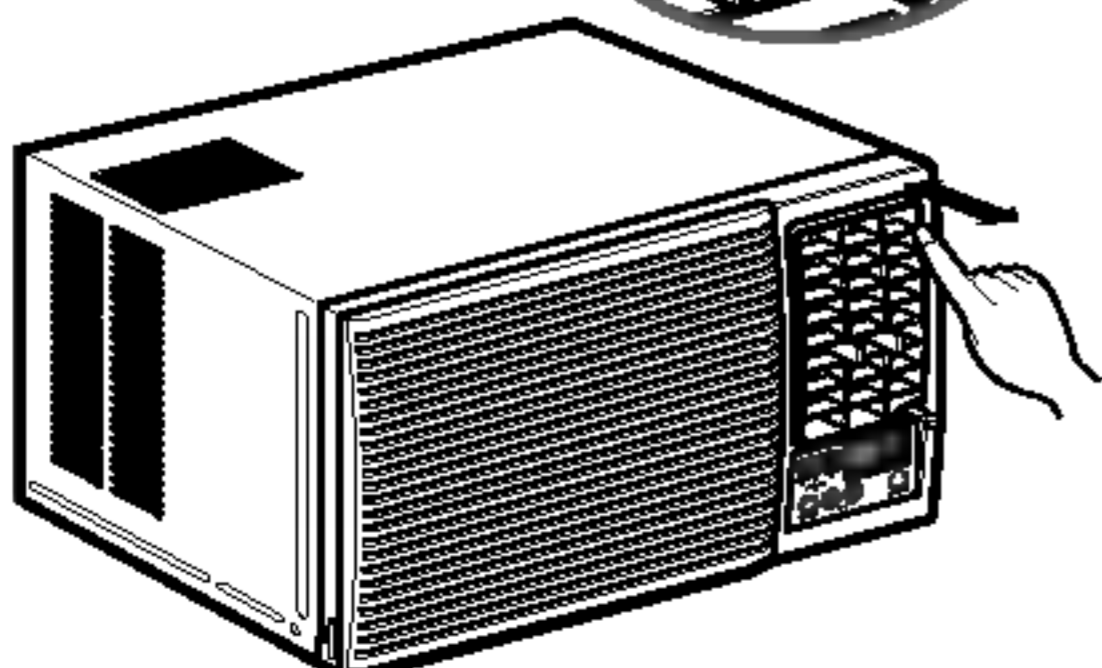
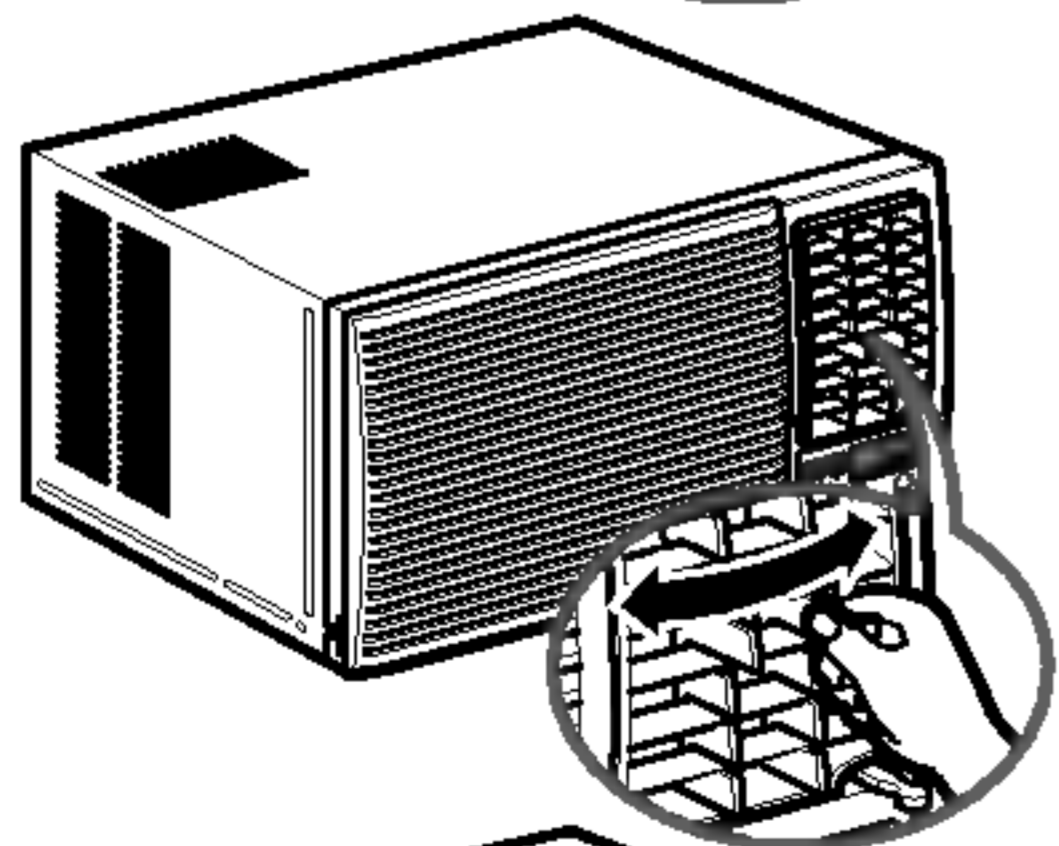
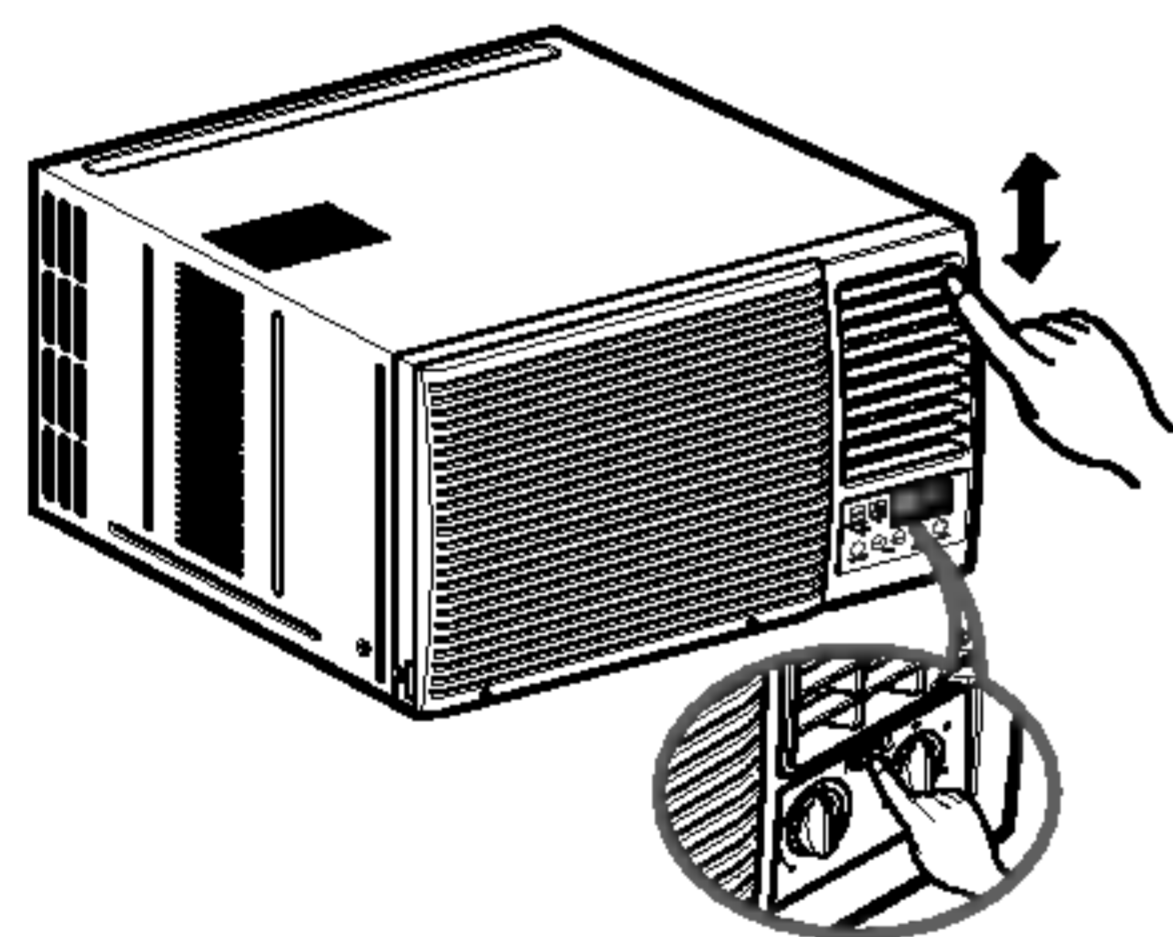
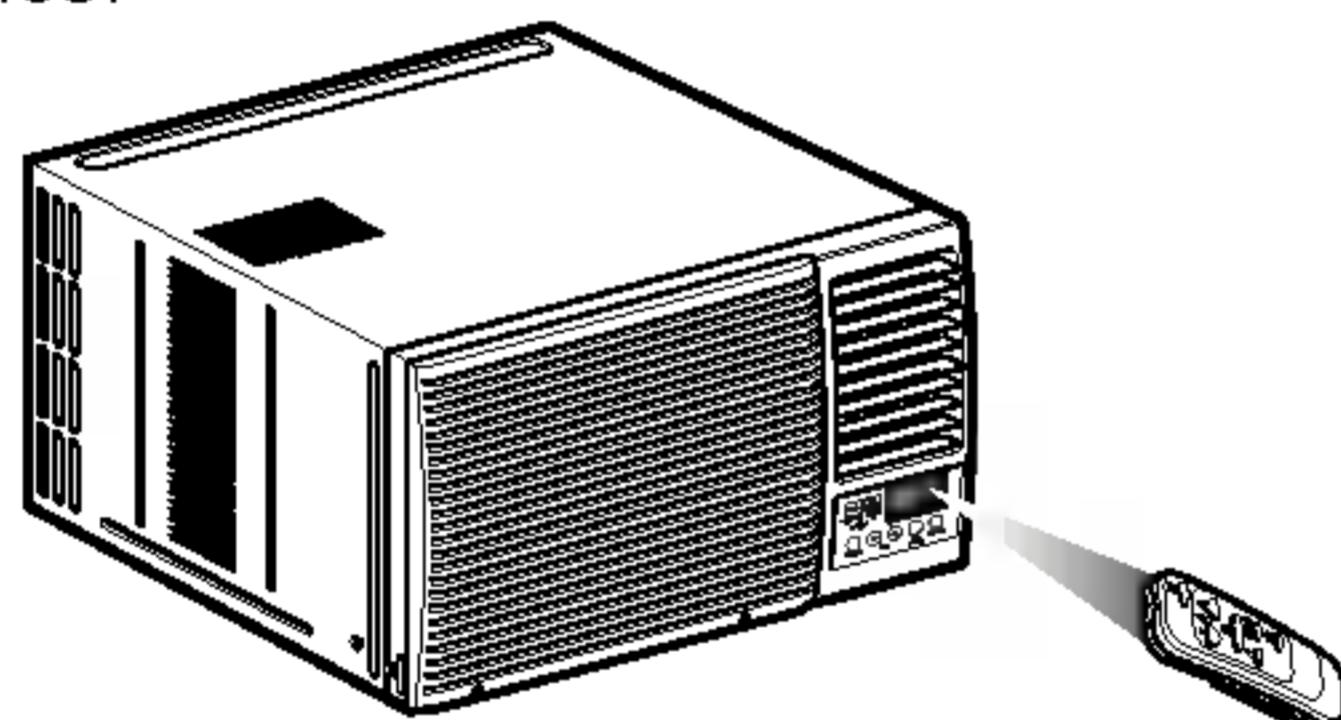
Cuando se necesite aire fresco en la habitación, coloque la palanca de ventilación en la posición OPEN (Abierto). El amortiguador se abre y se descarga el aire de la habitación.



NOTA : Antes de usar la característica de ventilación, coloque la palanca como se muestra. Primero jale hacia abajo la parte ① para que quede en una línea horizontal con la parte ②.

Como controlar la direccion del aire

La dirección del aire frío puede ser controlada cuando usted lo desee ajustando los niveladores horizontales y verticales.



- **Control de Dirección del Aire Horizontal**

La dirección de aire horizontal se ajusta moviendo el nivelador vertical en dirección derecha o izquierda.

- **Control de Dirección del Aire Vertical**

La dirección de aire vertical se ajusta moviendo la rejilla horizontal.

- **Modelos de Vuelta Automática**

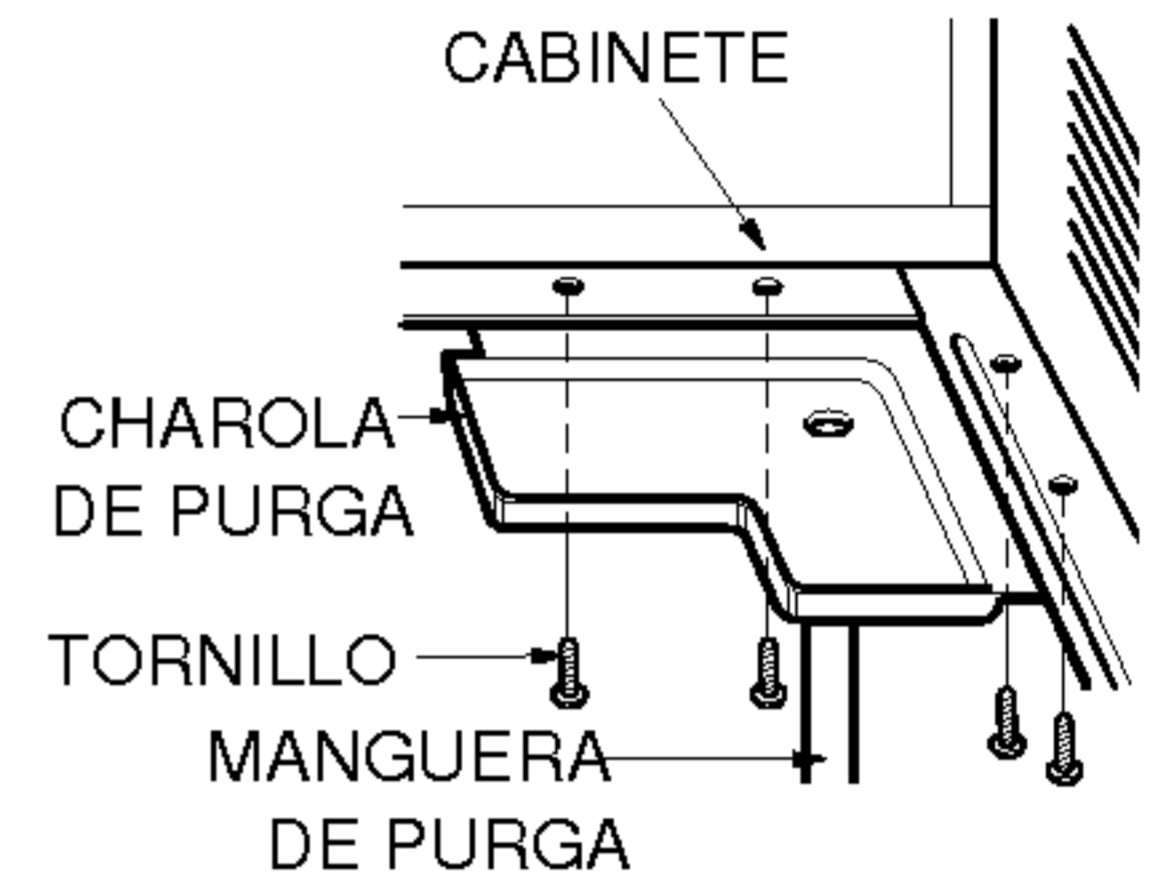
La dirección del aire horizontal es automáticamente controlada ajustando el interruptor de VUELTA AUTOMÁTICA a la posición de ENCENDIDO.

Como colocar la charola de purga (Para algunos modelos)

El aire acondicionado utiliza un método de purga adecuado en donde el agua condensada (humedad retirada del aire) se purga al exterior.

En climas demasiado húmedos (y para modelos de ciclo invertido en la modalidad de inversión) el agua condensada excesiva que se retira del aire puede ocasionar que se recolecte algo de agua. Para eliminar este exceso de agua, puede instalar una charola de purga como se detalla a continuación.

1. Tome la charola de purga que se localiza en la descarga de aire o en la barrera.
2. Retire el orificio de hule de la charola de la base. (para algunos modelos).
3. Instale la charola de purga en el extremo izquierdo del gabinete con 4 (o 2) tornillos.
4. Conecte la manguera de purga en la descarga localizada en el fondo de la charola de purga. Puede adquirir la manguera o tubería de purga localmente para satisfacer sus necesidades particulares (No se incluye la manguera de purga).

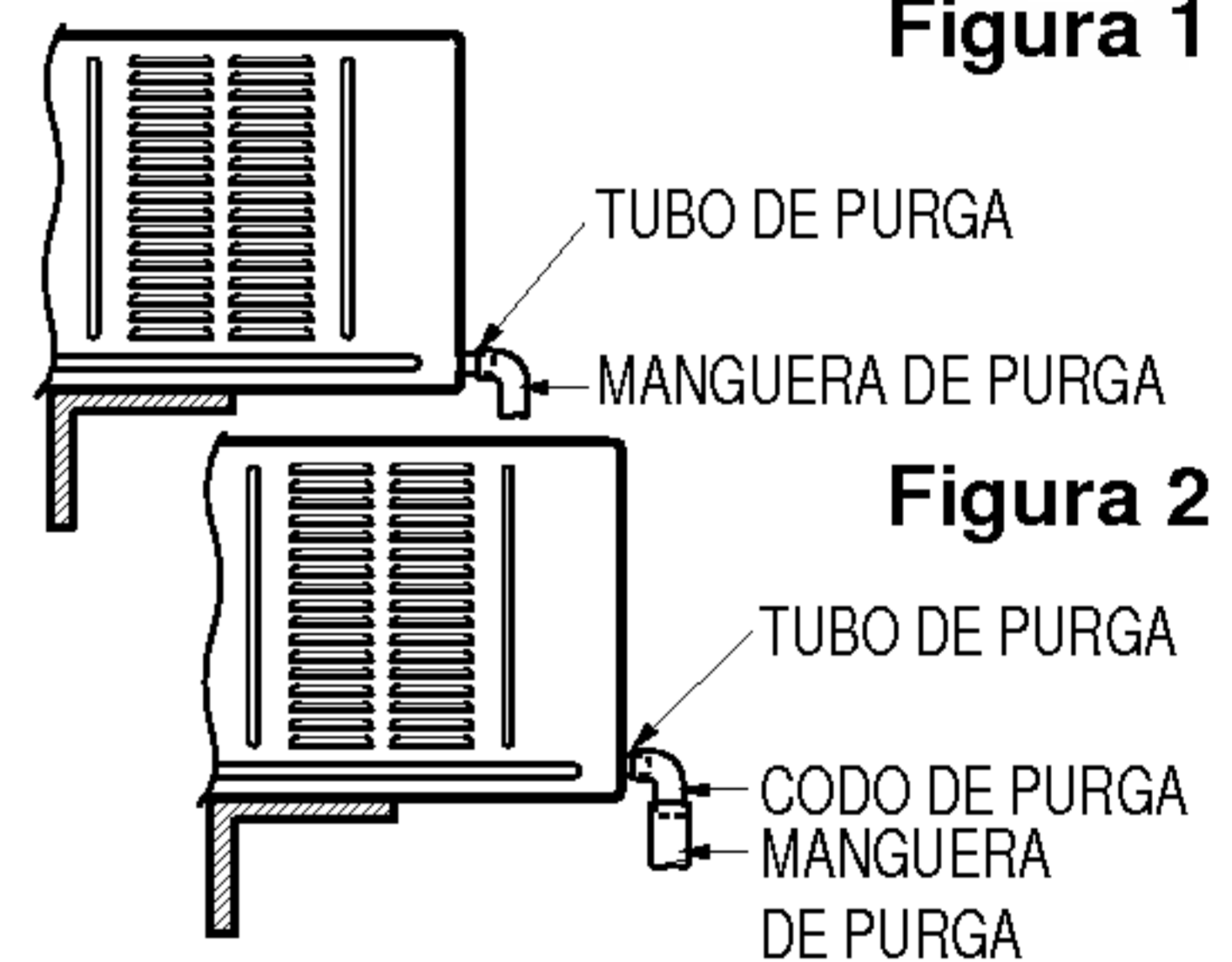


Como conectar una manguera de purga

Existe una manguera de purga incluida en la parte de atrás de la unidad de aire acondicionado.

Elija un método de purga de acuerdo a lo siguiente.

1. Retire el orificio de hule de la charola de la base. (para algunos modelos).
2. Conecte una manguera de purga al tubo de purga como se muestra en la Figura 1.
3. Conecte un codo de tubo a la tubería de purga, después conecte una manguera de purga al codo de tubo como se muestra en la Figura 2.



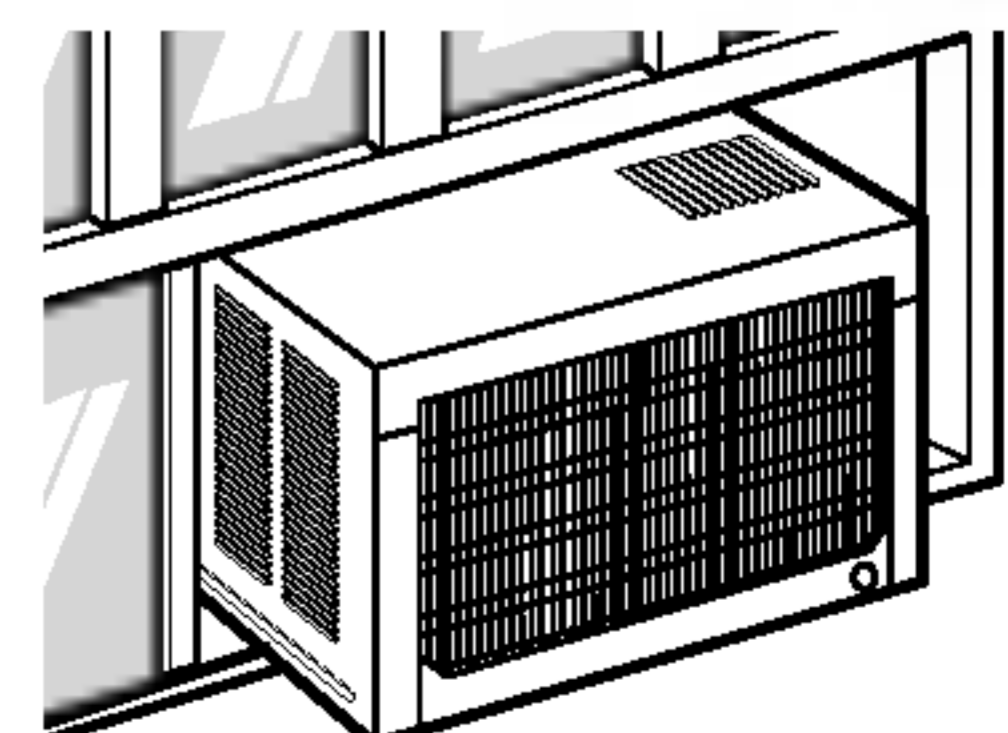
*Instrucciones de
Funcionamiento*

Ajuste de la Dirección del Flujo de Aire

APAGUE EL AIRE ACONDICIONADO Y SAQUE EL ENCHUFE DEL TOMA CORRIENTE DE LA PARED.

Laminillas de la parte exterior

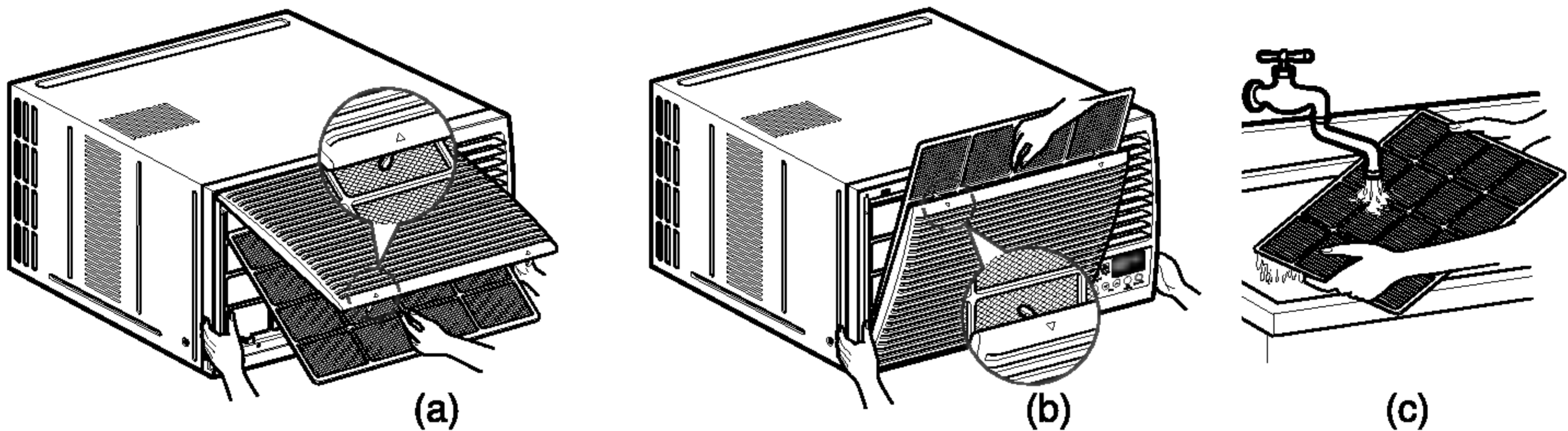
Los arrollamientos de la parte exterior del aire acondicionado deben ser revisados regularmente. Si ellos están obstruidos con suciedad u hollín, deben ser profesionalmente limpiados con vapor, un servicio disponible a través de su proveedor.



Limpieza del filtro de aire

El filtro de aire deberá revisarse cuando menos dos veces al mes para verificar si es necesario limpiarlo. Las partículas atrapadas en el filtro podrían acumularse y bloquear el flujo de aire. Esto reduce la capacidad de enfriamiento y también ocasiona la acumulación de escarcha en los serpentines de enfriamiento.

1. Abra la rejilla hacia arriba tirando la parte inferior de la rejilla de entrada (a). En otro caso, usted puede abrir la rejilla de entrada hacia abajo tirando la parte superior de la rejilla de entrada.(b)
2. Retire el filtro de aire del ensamblaje de la parrilla delantera jalando el filtro de aire ligeramente hacia arriba.
3. Lave el filtro de aire usando agua tibia a menos de 40°C (104°F).
4. Sacuda suavemente el exceso de agua del filtro completamente. Vuelva a colocar el filtro.



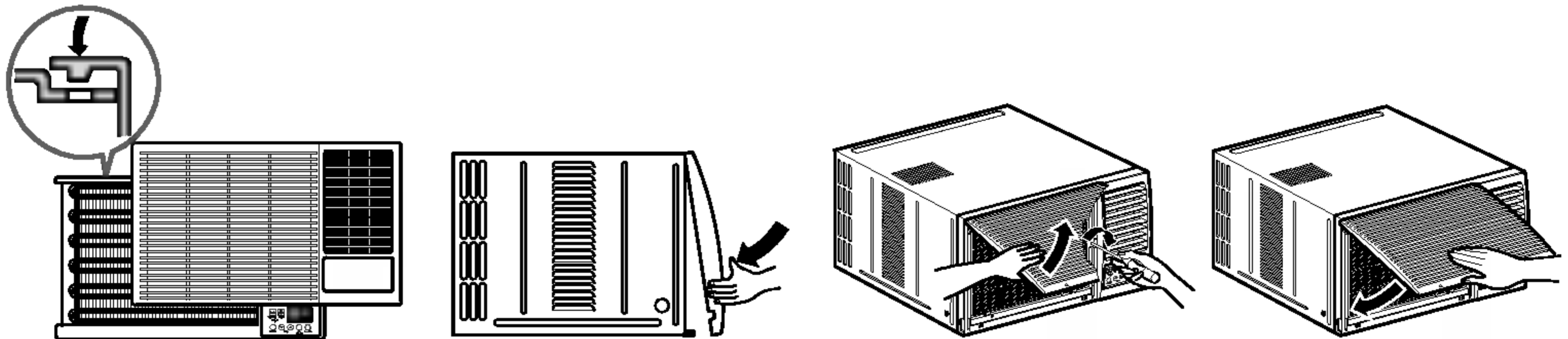
NOTA : La marca Δ de la rejilla de entrada significa la dirección abierta.



PRECAUCION: NO OPERE el aire acondicionado sin filtro ya que la suciedad y las pelusas obstruirán el filtro y se reducirá la eficiencia del funcionamiento.

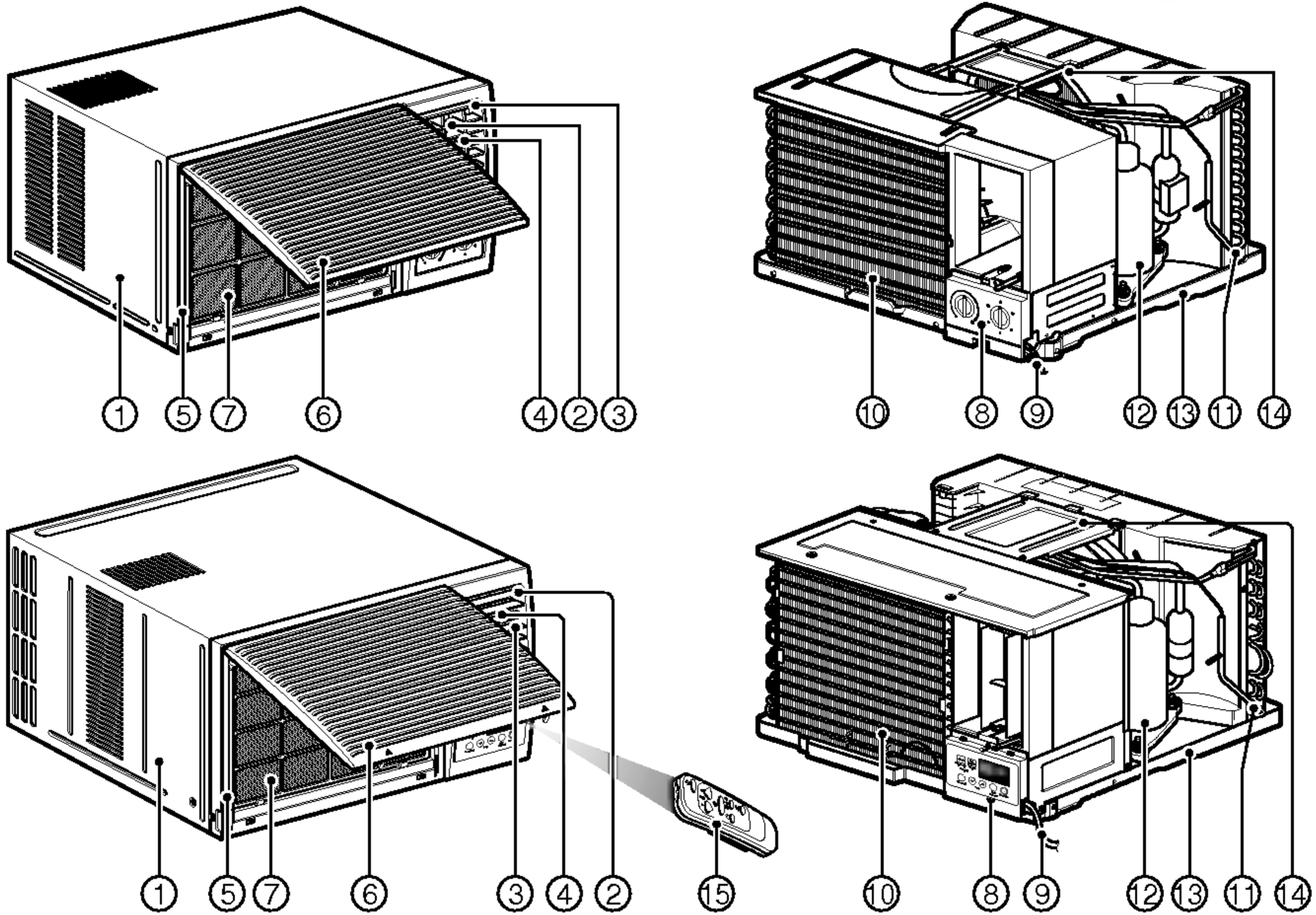
Como instalar la parrilla delantera en el gabinete

1. Jale hacia abajo la parrilla delantera desde la parte superior del gabinete.
2. Oprima las puntas de la parrilla delantera hacia el gabinete para insertar las lengüetas de la parrilla delantera en el gabinete.
3. Abra la parrilla de admisión.
4. Apriete el tornillo a través de la parrilla delantera dentro en la placa de evaporador.
5. Cierre la parrilla de admisión.



Conocer el nombre de las partes antes de instalar el aire, lo ayudará a entender mejor el proceso de instalación.

Características

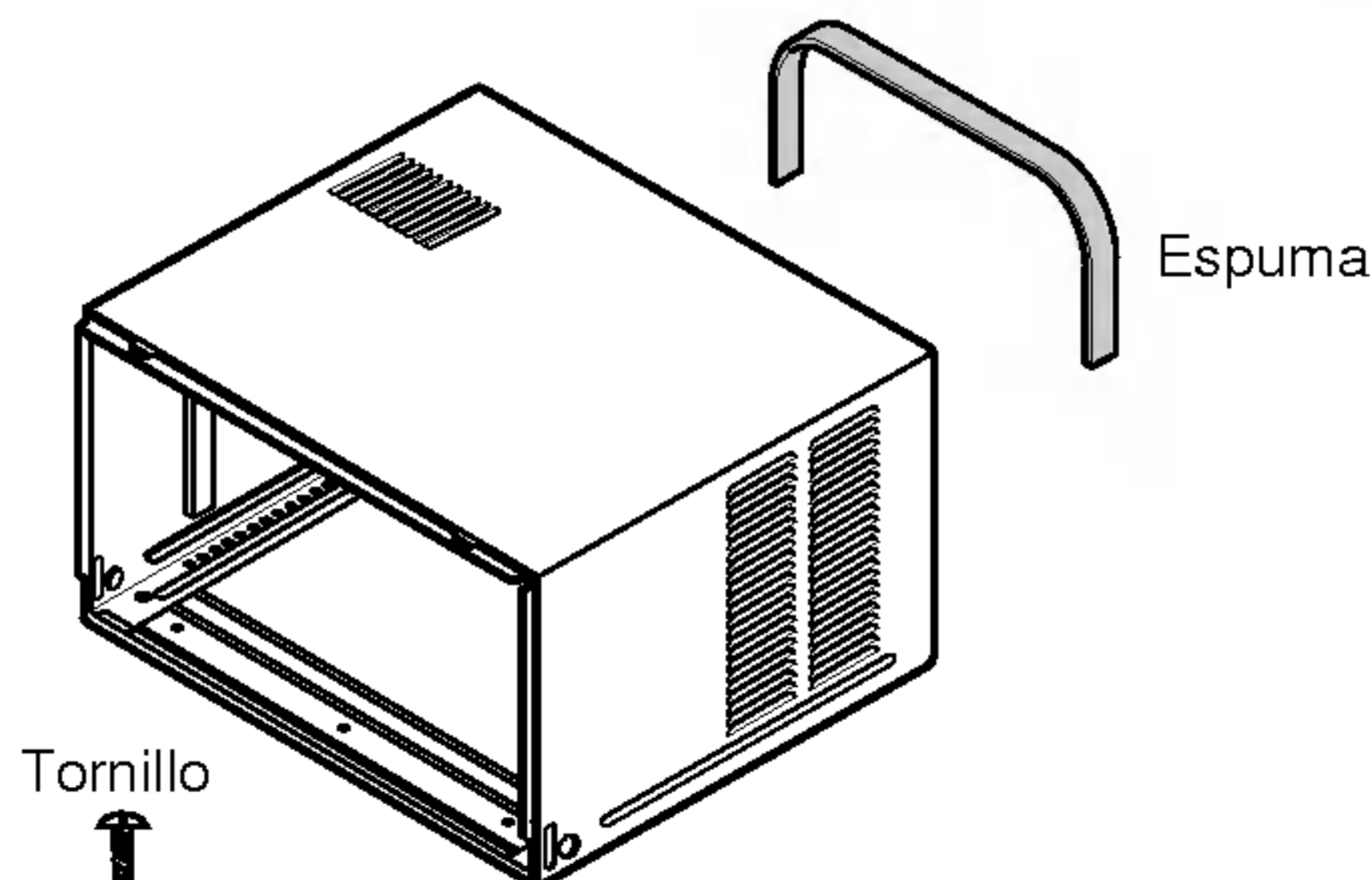


- 1. GABINETE
- 2. DEFLECTOR DE AIRE HORIZONTAL (REJILLA VERTICAL)
- 3. DEFLECTOR DE AIRE VERTICAL (REJILLA HORIZONTAL)

- 4. DESCARGA DE AIRE
- 5. REJILLA FRONTAL
- 6. ENTRADA DE AIRE (REJILLA PARA ENTRADA)
- 7. FILTRO DE AIRE
- 8. PANEL DE CONTROL
- 9. CABLE DE ALIMENTACION

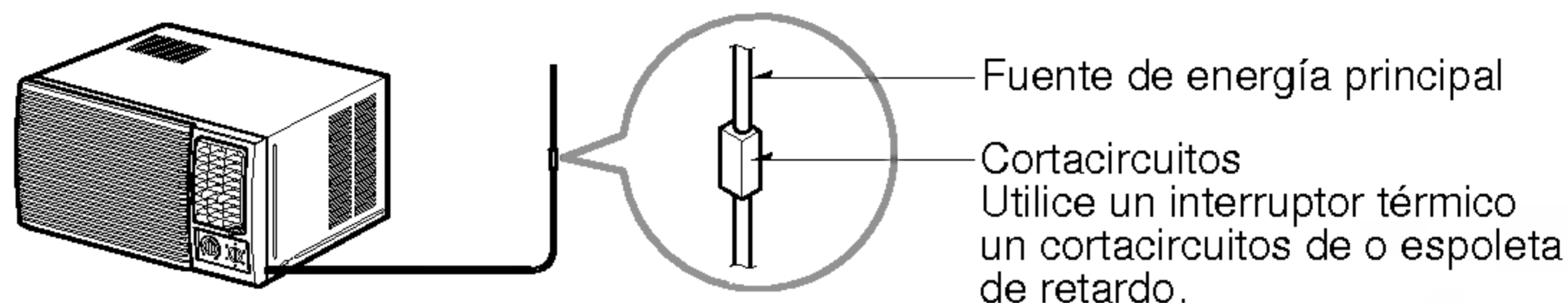
- 10. EVAPORADOR
- 11. CONDENSADOR
- 12. COMPRESOR
- 13. PLATO DE BASE
- 14. ABRAZADERA
- 15. CONTROL REMOTO

Accesorios de Instalación



Lea completamente y siga paso a paso.

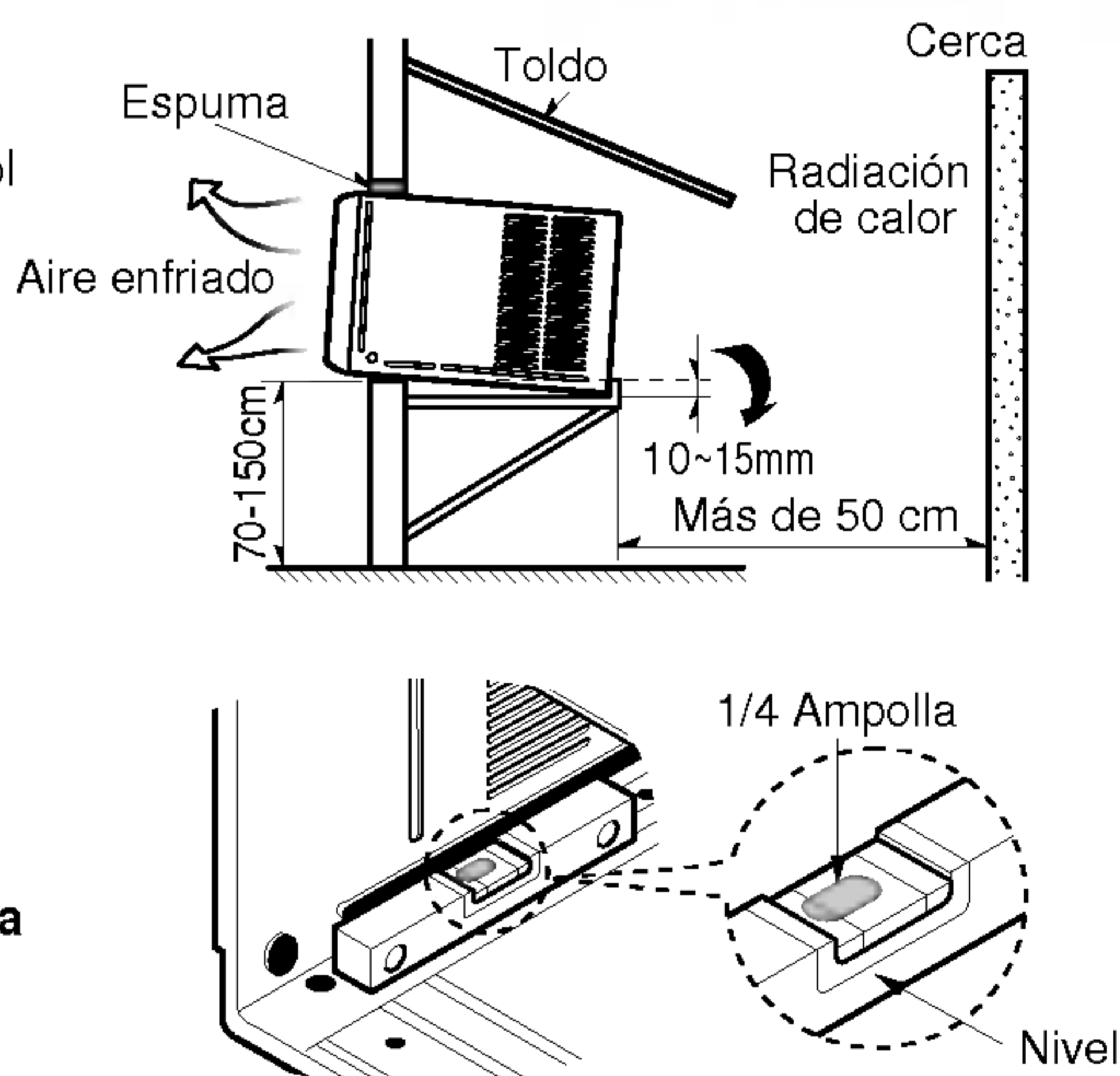
- El aparato será instalado de acuerdo con las regulaciones de cableado del país.
- Si no usa un enchufe de alimentación, proporcione un cortacircuitos entre la fuente de energía y la unidad como la siguiente figura.



Seleccione la mejor ubicación

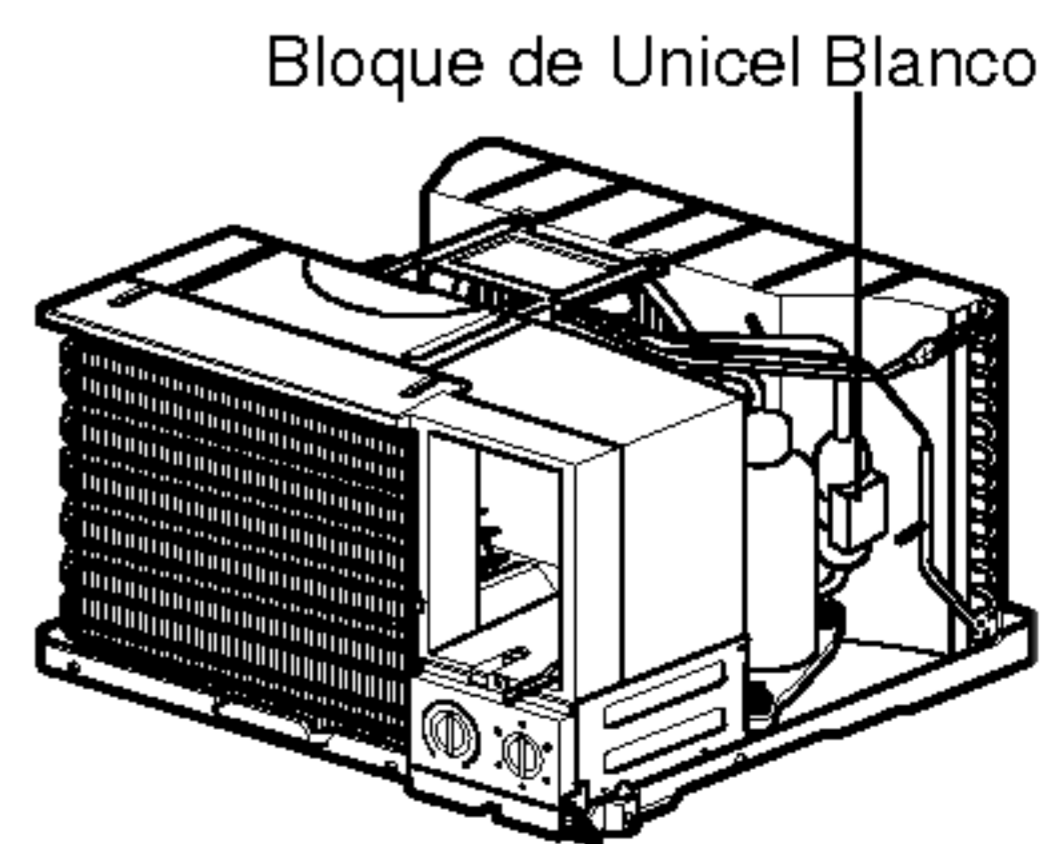
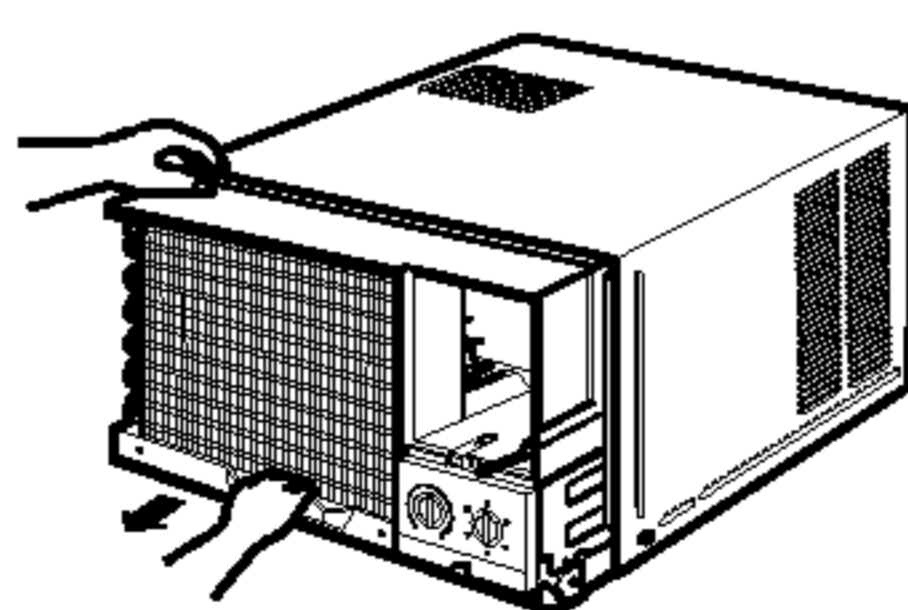
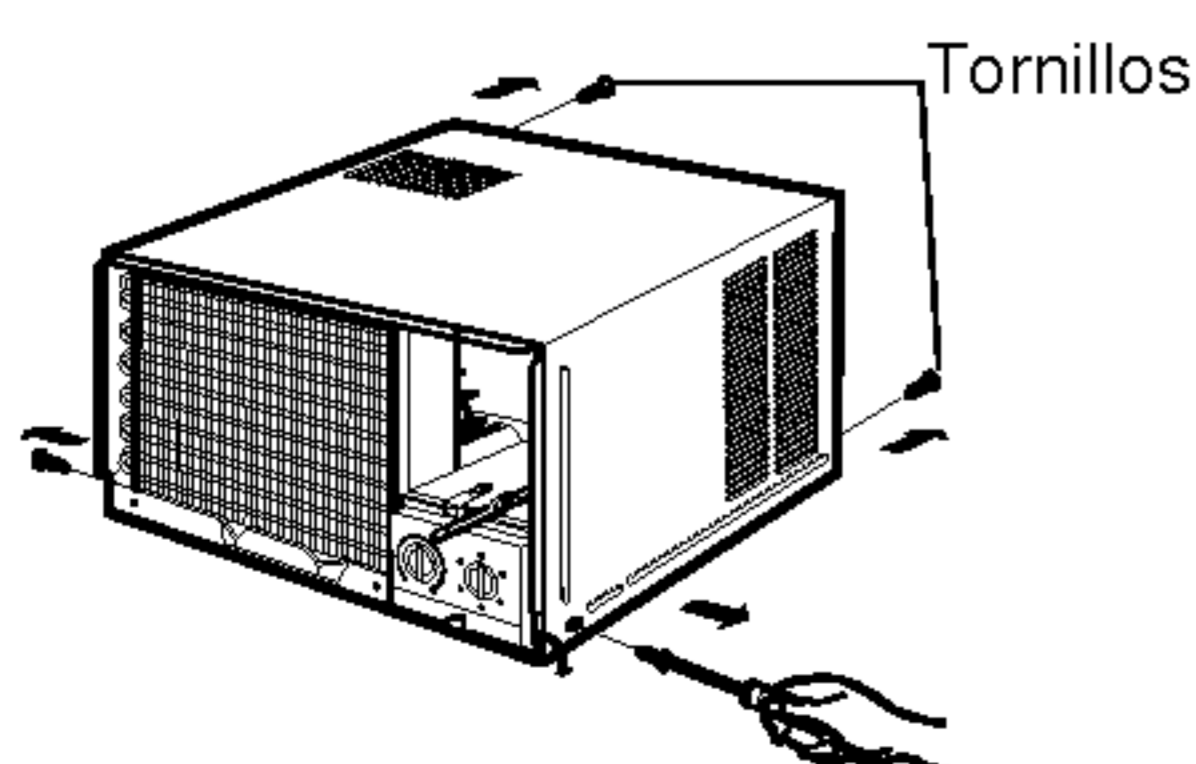
1. Para prevenir vibración y ruidos, asegúrese de que la unidad sea instalada seguramente y firmemente.
2. Instale la unidad en un lugar donde no sea expuesta al sol directo.
3. No debe haber obstáculos tales como una cerca o pared, dentro de 50cm de la parte posterior del gabinete porque obstruiría la radiación de calor del condensador. La restricción del aire del exterior reducirá mucho la eficiencia del enfriamiento del aire acondicionado.
4. Instale la unidad un poco oblicuamente hacia afuera para no dejar escapar el agua condensado a la habitación (aproximadamente 10-15mm o 1/4 ampolla con nivel).

PRECAUCION: Todas las rejillas laterales del gabinete deben quedar expuestas al exterior de la estructura.



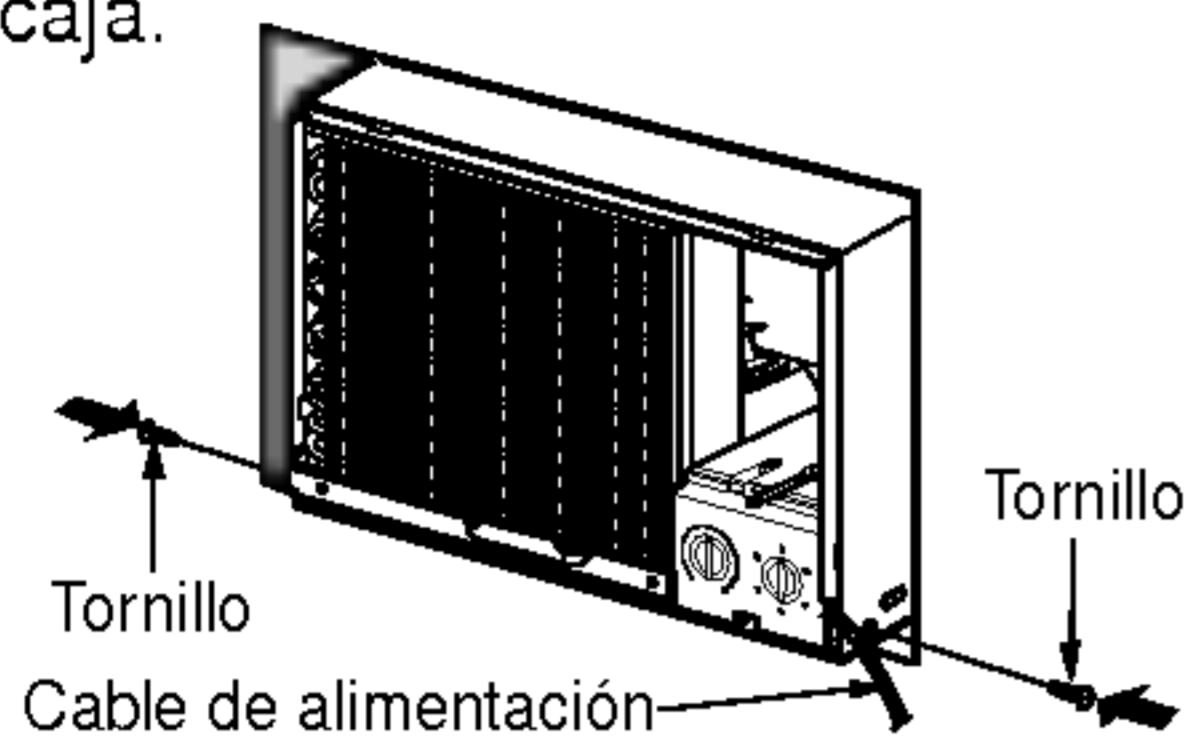
Remueva el aire acondicionado de la caja

1. Remueva 2 tornillos de la parte posterior de la caja.
2. Remueva 2 tornillos en cada lado de la caja. Guárdelos para usar después.
3. Deslice el aire acondicionado de la caja agarrando la asa del plato de base y tirando hacia adelante mientras está asegurando la caja.
4. Antes de volver a instalar el aire acondicionado en la caja, remueva el bloque de unisel blanco del compresor (en algunos modelos).



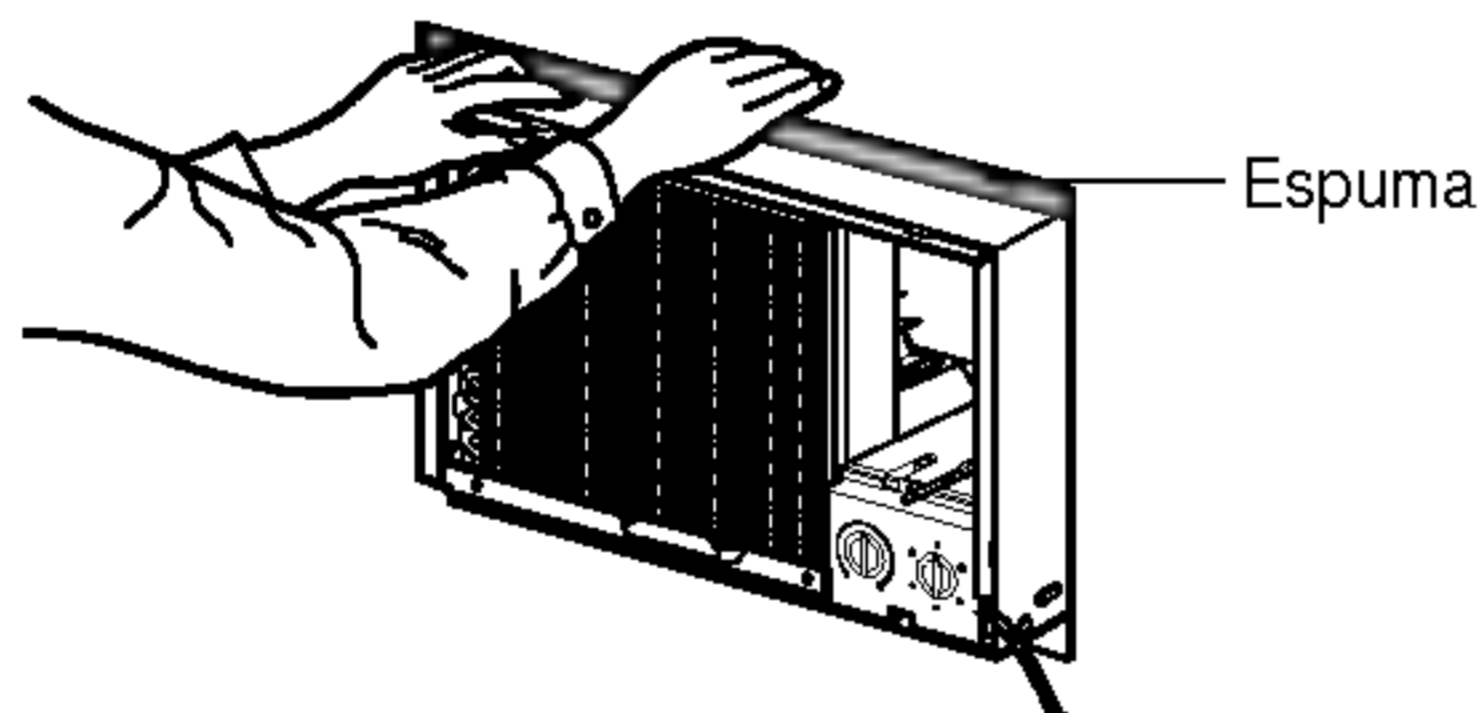
Instale el Aire acondicionado en la Caja

1. Deslice el aire acondicionado a la caja.
Reinstale 2 tornillos removidos antes en cada lado de la caja.

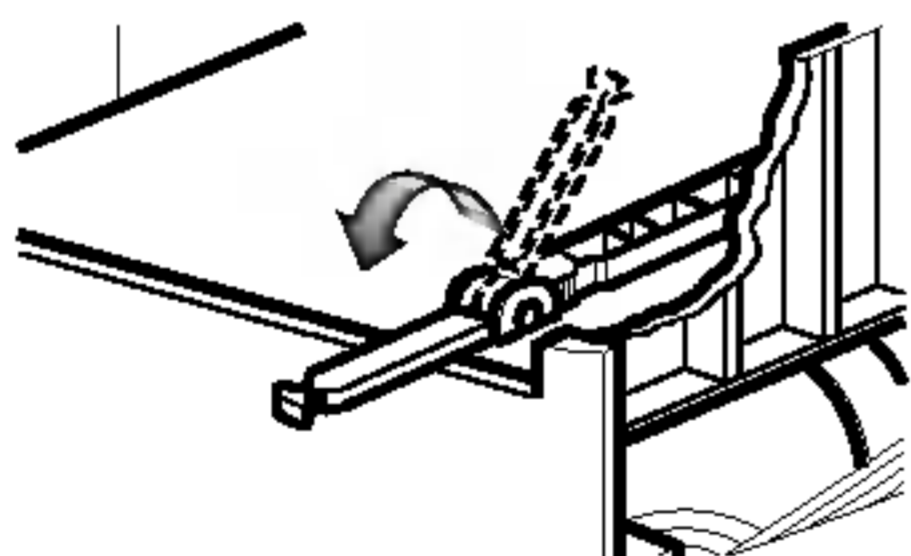


PRECAUCION: El cable de alimentación debe ser conectado a un circuito independiente. El cable verde debe ser conectado a tierra.

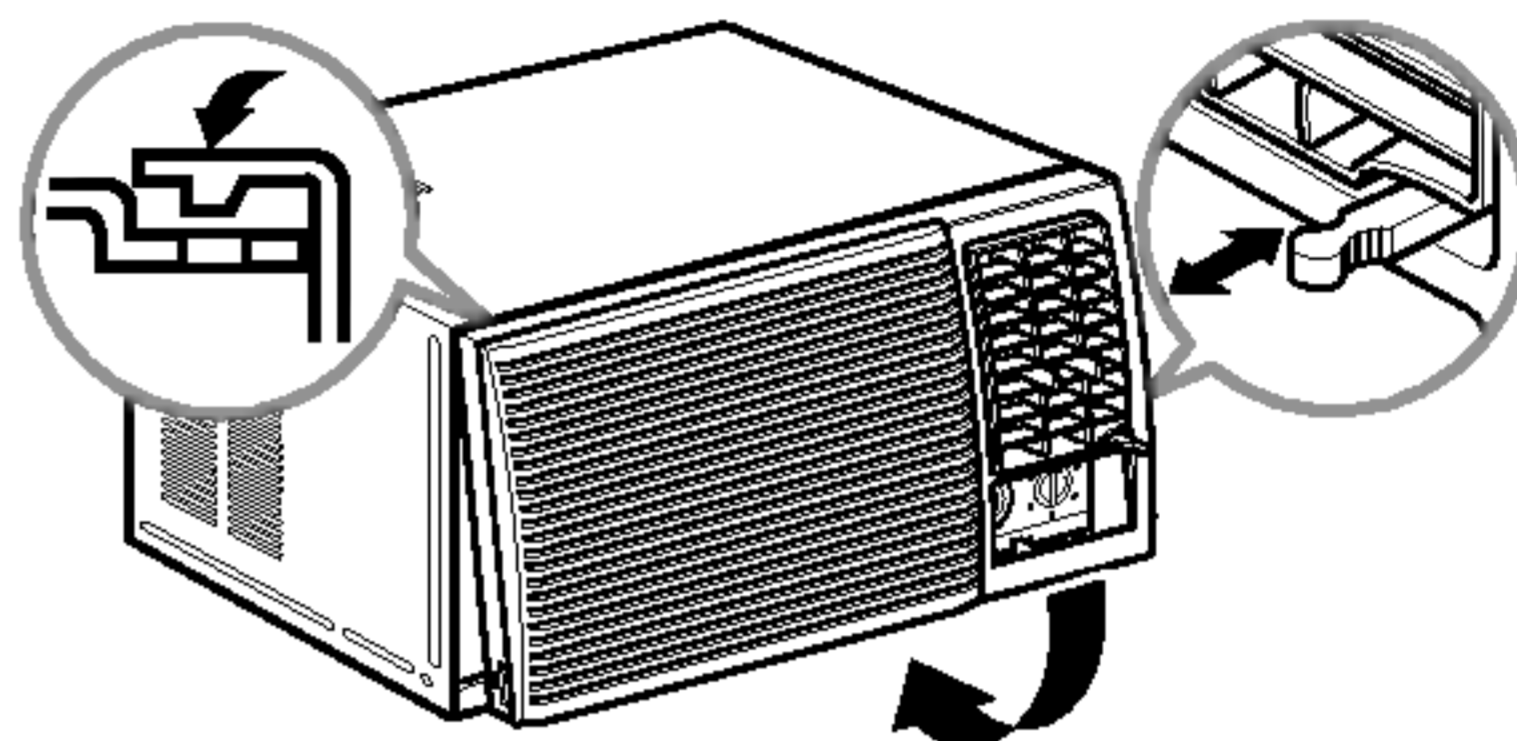
2. Llene la espuma entre el tope de la unidad y la pared para prevenir que el aire e insectos entren en la habitación.



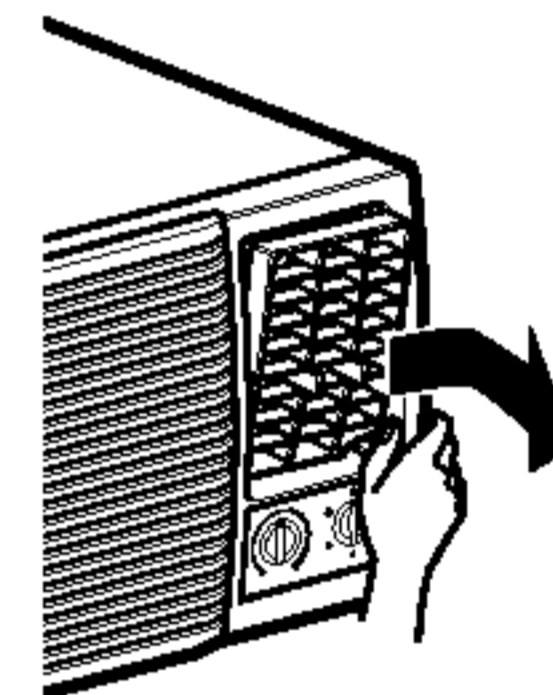
3. Antes de instalar la rejilla frontal, tire la palanca de respiradero localizada encima de los controles de la unidad como lo enseñado.



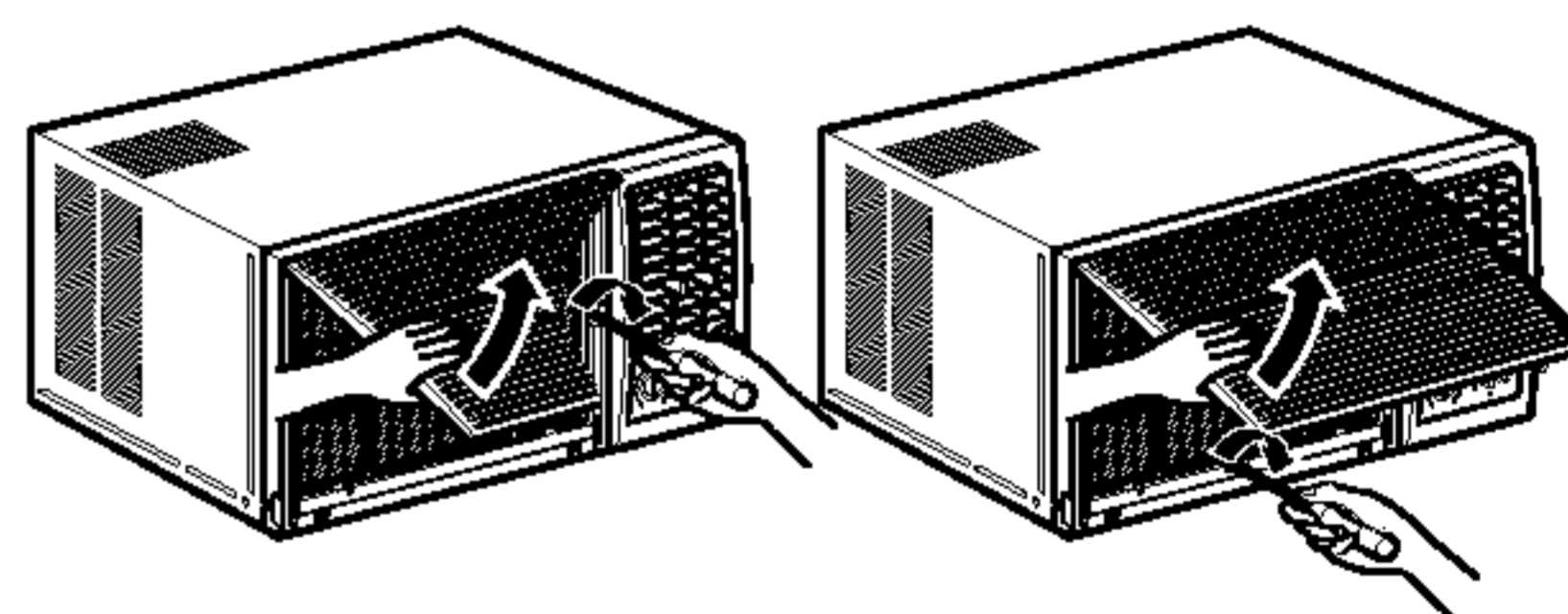
5. Instale la rejilla frontal a la caja insertando las lengüetas en la rejilla en las ranuras en el frente de la caja. Empuje la rejilla en la unidad hasta que se cierren de golpe.



Cuando usted despegue la rejilla frontal de la caja, empuje la rejilla a su lado derecho y tírela hacia usted.

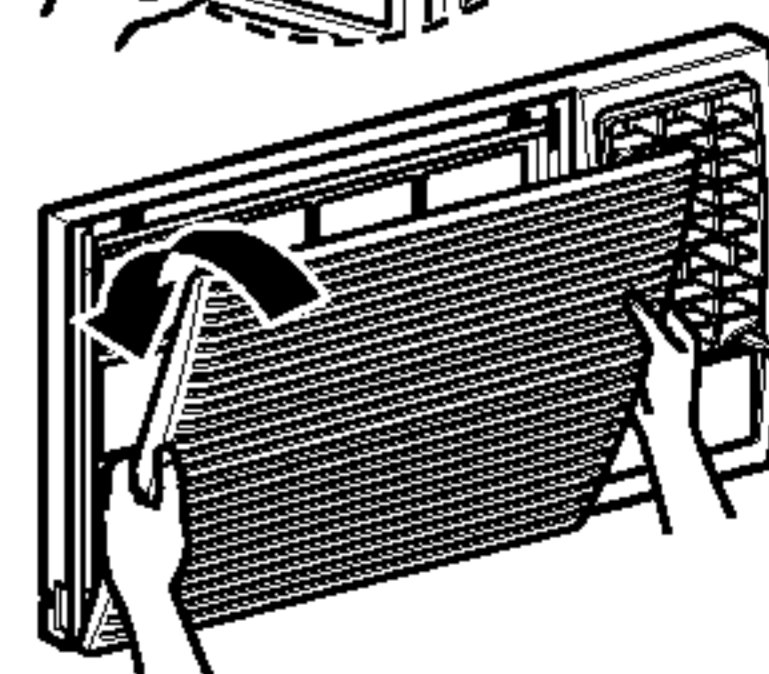
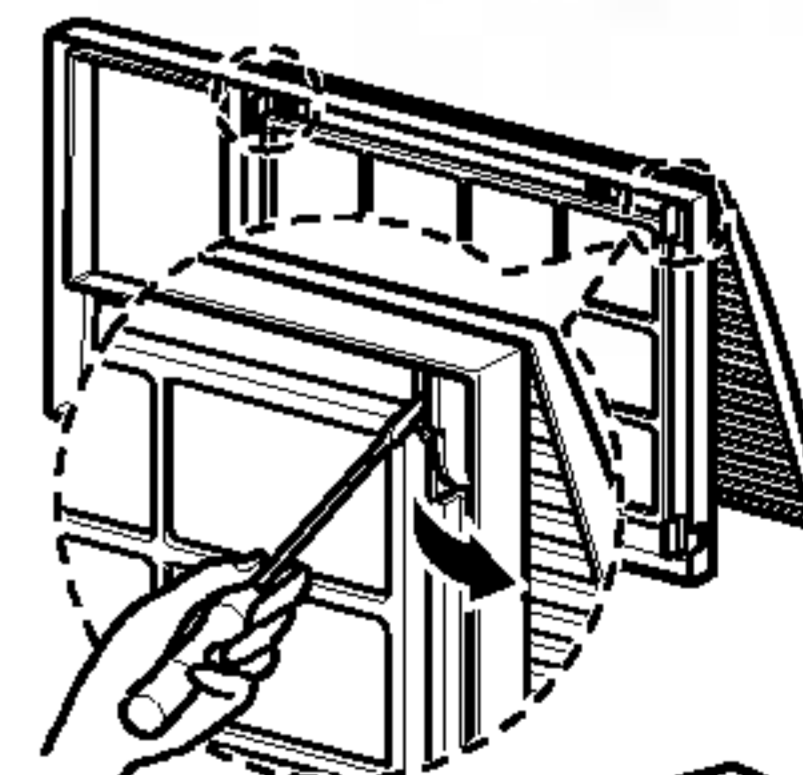


6. Levante la rejilla de entrada y asegure la rejilla frontal con un tornillo y baje la rejilla de entrada.



Use la rejilla de entrada reversible

1. Si usted desea sacar el filtro por abajo, abra la rejilla de entrada ligeramente. Separe la parte enganchada insertando la punta del destornillador de tipo “-” para desensamblar la rejilla de entrada desde la rejilla frontal. Gire la rejilla de entrada 180 grados e inserte los ganchos en los huecos inferiores del rejilla frontal. Luego, inserte el filtro.
2. Si usted desea sacar el filtro por arriba, use la rejilla de entrada reversible sin cambio. (La rejilla está instalada para tal efecto.)



Tips para la resolución de problemas

¡Ahorre tanto el tiempo como el dinero!

Si revisa el siguiente cuadro primero, seguramente usted no necesitará llamar al servicio técnico frecuentemente.

Operación Normal

- Usted puede oír ruido agudo por el impacto causado por el agua que es recogida y lanzada contra el condensador cuando llueve o hay humedad muy alta. Esta característica de diseño ayuda a remover la humedad y mejorar la eficiencia.
- Usted puede oír el sonido de golpe del termostato cuando el compresor pase por el ciclo de encendido y de apagado.
- El agua se coleccionará en el plato de base cuando llueva o haya alta humedad. El agua puede rebosar y gotear de la parte exterior de la unidad.
- El ventilador puede operar aun cuando el compresor no opere.

Operación Anormal

Problema	Posibles causas	Qué hacer
El aire acondicionado no pone en marcha.	■ El aire acondicionado está desconectado.	• Asegúrese de que el enchufe del aire acondicionado sea insertado completamente en la toma.
	■ El fusible está fundido/ El cortacircuitos está disparado.	• Cheque el fusible/ caja de cortacircuitos y reemplace el fusible o reajuste el cortacircuitos.
	■ Falla de alimentación	• Si la falla de alimentación ocurre, posicione el control de modo a APAGADO . Cuando la energía sea restaurada, espere 3 minutos para reiniciar el aire acondicionado para prevenir la sobrecarga del compresor.
El aire acondicionado no enfría como se debe.	■ La corriente de aire está obstruida.	• Asegúrese de que no exista ni cortinas, ni persianas ni muebles bloqueando el frente del aire acondicionado.
	■ No se ajusto el TERMOSTATO en el nivel adecuado (suficientemente alto)	• Gire el botón a un número más alto. El ajuste más alto proporciona el enfriamiento máximo.
	■ Coloque el control de TEMPERATURA en un número más alto.	• Gire el control de TEMPERATURA a un número más bajo.
	■ El filtro de aire está sucio.	• Limpie el filtro por lo menos cada 2 semanas. Vea la sección de las instrucciones de operación.
	■ La habitación pudo haber estado demasiado caliente.	• Cuando el aire acondicionado sea encendido, usted debe esperar por un tiempo hasta que la habitación se ponga fresca.
El aire acondicionado congela.	■ El aire frío está escapando.	• Revise si está abierto el control de piso de calefacción y el aire frío regresa. • Ajuste el respiradero del aire acondicionado a la posición cerrada.
	■ Se congelaron las laminillas de enfriamiento.	• Vea "El aire acondicionado congela" abajo.
El aire acondicionado congela.	■ El hielo obstruye la corriente de aire e impide que el aire acondicionado enfríe adecuadamente la habitación.	• Ajuste el control de modo en Ventilación Mediana o Enfriamiento Alto con el termostato en 1 o 2 (El lado izquierdo). • Ajustar el control de modo en 'Ventilación alta' o 'Enfriamiento alto' con la temperatura alta.

Fuente de corriente

- MODELO: W121CA TSC2/W091CA TSG0/W081CM TSG2

Esta unidad requiere una alimentación eléctrica monofásica con hilo a tierra con un voltaje de 115V, 60Hz, de corriente alterna.

- MODELO: W122CA TSC0/W092CA TSG0/W182CMH TSN1/W182CA TSN0
W182CM TSN0/W242CA TSN0/W242CM TSN0

Esta unidad requiere una alimentación eléctrica monofásica con hilo a tierra con un voltaje de 220V, 60Hz, de corriente alterna.

Instalación (para 60 Hz)

- Requisitos de la instalación eléctrica para seguridad personal:
- Este aparato deberá conectarse debidamente a tierra.
- No corte ni elimine en ninguna circunstancia la tercera espiga del cordón eléctrico.
- Recomendamos que no utilice cordón de extensión o adaptador con este aparato.
- Siga los códigos eléctricos nacionales o los códigos y ordenanzas locales.
- Si el suministro de corriente eléctrica no cumple las especificaciones antes mencionadas llame a un electricista autorizado.
- El cableado de aluminio de las casas puede plantear problemas especiales consulte con electricista autorizado.
- Esta unidad requiere de un circuito separado, que sirva sólo para esta aplicación.

Fabricante

(Oficina) LG Electronics Inc., LG Twin Towers, 20, Yoido-dong, Youngdungpo-gu,
Seúl 150-606, Corea Tel: 82-2-3777-7974

(Fábrica) LG Changwon 2nd fábrica, 76, Seong San Dong, Changwoncity,
Gyeong Nam, 641-713, Corea Tel: 82-55-269-3480

Importador

LG Electronics México S.A de C.V. Av. Sor Juana Ines de la Cruz No 555. Col. San Lorenzo,
Tlalnepantla, Edo de Mex. Tel: 5321 1900

Nota

