

OWNER'S MANUAL

V-CC383HTU

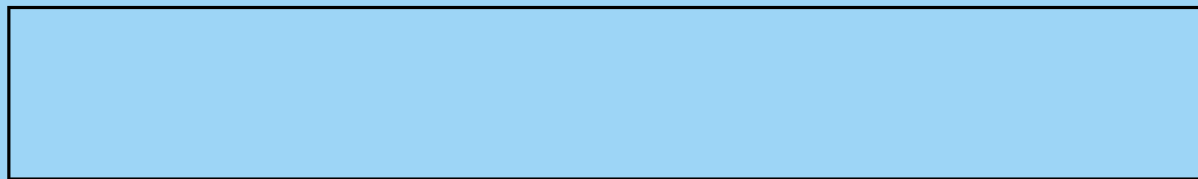




Table of contents

Information for your safety	3
How to use	4
Assembling cleaner	4
Using the accessory and nozzle	6
Using the Air Turbine Brush.....	8
Changing dust bag.....	9
Operation	10
① How to plug in and use.....	10
② Adjusting the suction power	10
③ Park-System.....	10
④ Storage.....	10
Cleaning the exhaust filter	11
What to do if your vacuum cleaner does not work	12
What to do when suction performance decreases	12

Information for your safety

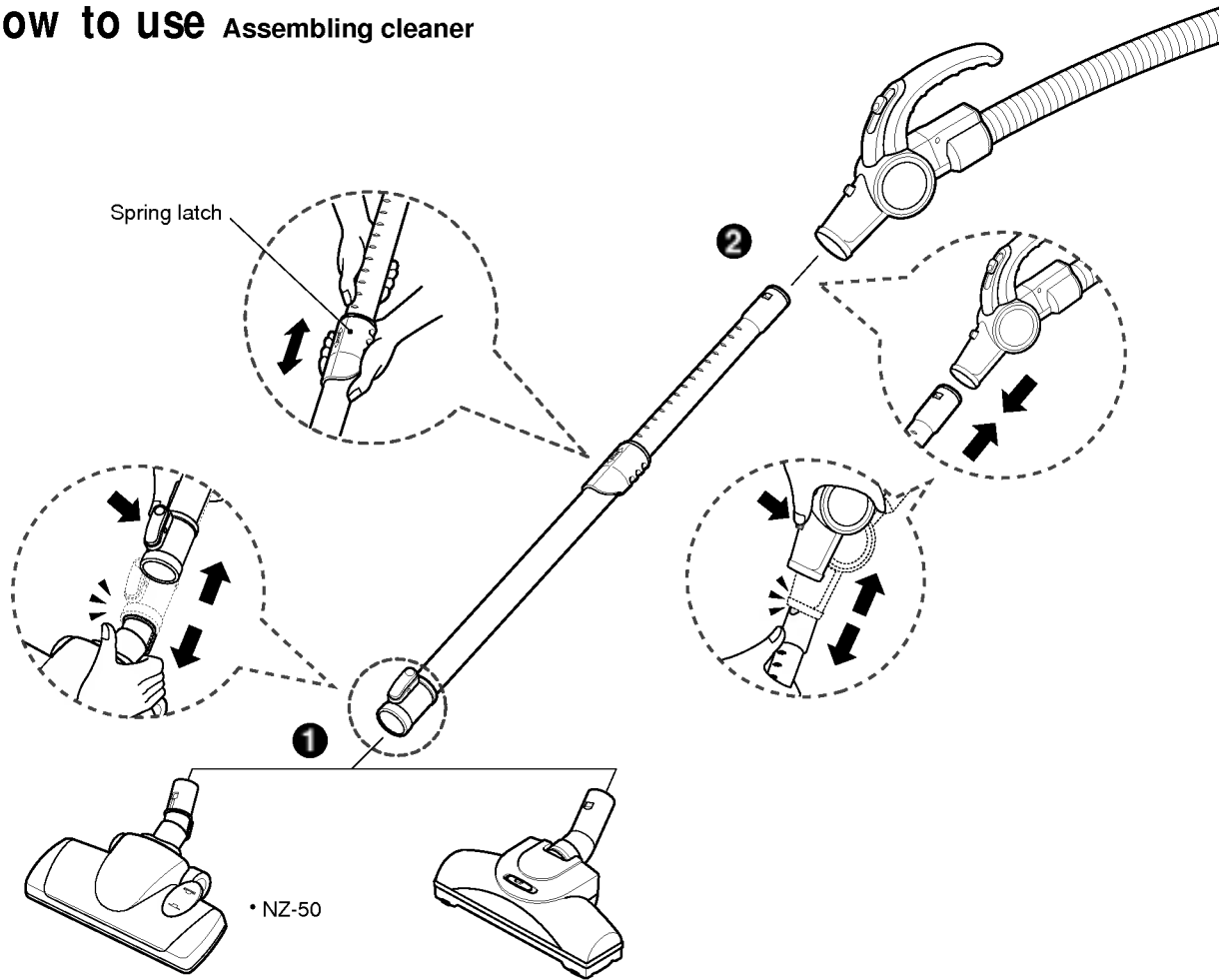
Please read all the following information, which contains important instructions for the safety, the use and the maintenance of the appliance. This appliance complies with the following EC Directives: -73/23/EEC, 93/68/EEC-Low Voltage Directive-89/336EEC -EMC Directive.

- Never allow children to use the appliance unsupervised.
- Do not use the vacuum as a toy, injury could result.
- Do not continue to vacuum if any defect appears, missing or damaged. In these cases, contact an approved LG Electronics Service Agent.
- Repairs, when necessary, must be performed at an approved LG Electronics Service Agent.
- Only use parts produced or recommended by LG doing otherwise could invalidate your guarantee.
- Do not use the vacuum cleaner If the power cord is damaged or faulty.
- If the power cord is damaged, it must be replaced by an approved LG Electronics Service Agent to avoid a hazard.
- Do not unplug by pulling on cord.
- Do not pull on the supply cord, run over it, pull it around sharp edges or near/over hot surfaces.
- Always turn the vacuum cleaner off before:
 - Cleaning or changing the filter.
- Do not leave vacuum cleaner with the plug connected to a mains outlet-unplug when not in use.
- Do not use the vacuum with any of the openings blocked with any object that may restrict the airflow.
- Do not put any part of the body, clothes or any object (e.g. stick) into the opening or moving parts of the cleaner.
- Do not use outdoors.
- Do not vacuum hot ash, embers etc. or sharp objects.
- Do not vacuum flammable or explosive substances(liquids or gases).
- Do not vacuum water or other liquids.
- Do not handle the cleaner or plug with wet hands.
- Do not immerse the whole cleaner in water.
- Do not use vacuum cleaner without repaired if it was under water.
- When you vacuum with an attachment appliance that has a rotating brush roller:
 - Do not reach into the running brush roller.
- Do not vacuum fine dust
- Do not expose vacuum cleaner to heat

Thermal protector: This vacuum cleaner has a special thermostat that protects the cleaner in case of motor overheating. If the cleaner suddenly shuts off, turn off the switch and unplug the cleaner. Check the cleaner for a possible source of overheating such as a full dust bag, a blocked hose or clogged filter. If these conditions are found, fix them and wait at least 30 minutes before attempting to use the cleaner. After the 30 minutes period, plug the cleaner back in and turn on the switch. If the cleaner still does not run, contact a qualified electrician.



How to use Assembling cleaner

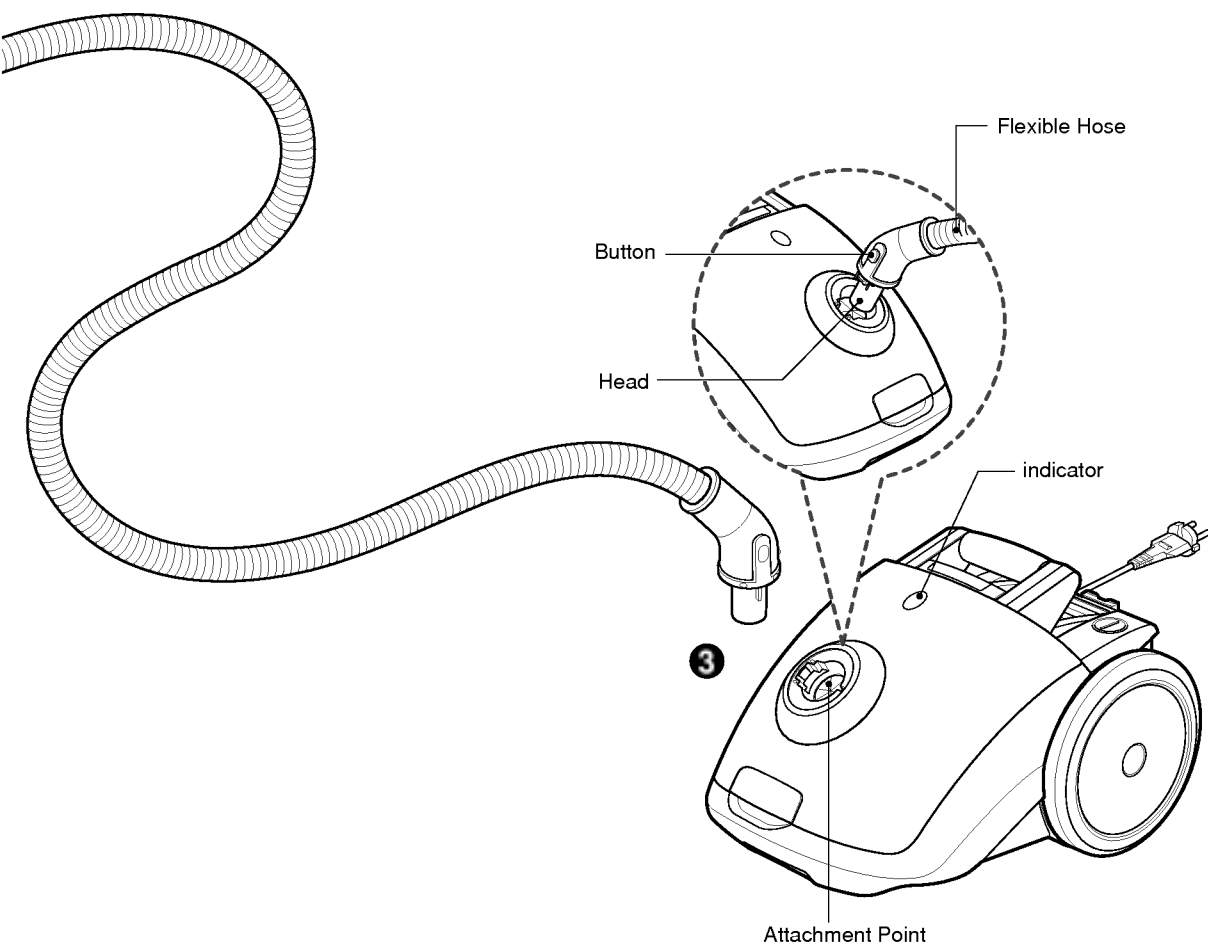


1 Carpet and floor nozzle

Push telescopic pipe into nozzle outlet.

2 Telescopic pipe

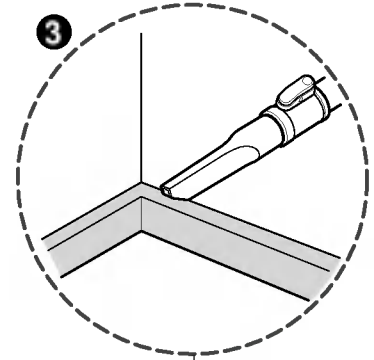
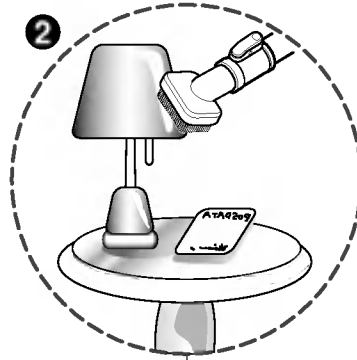
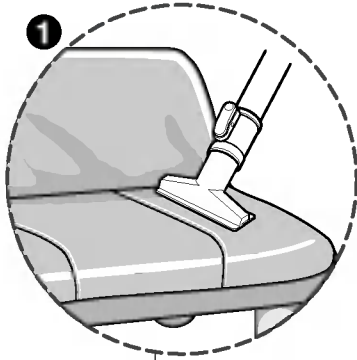
- Press the spring latch to release.
- Pull out the pipe to the desired length.
- Release spring latch to lock the pipe in position.
- Push telescopic pipe into hose handle firmly.



3 Connecting the flexible hose

- Push the end of the head on the flexible hose into the attachment point on the vacuum cleaner.
- To remove the flexible hose from the vacuum cleaner, press on the button situated on the head, then pull the head out of the vacuum cleaner.

How to use Using the accessory and nozzle



1 Upholstery nozzle

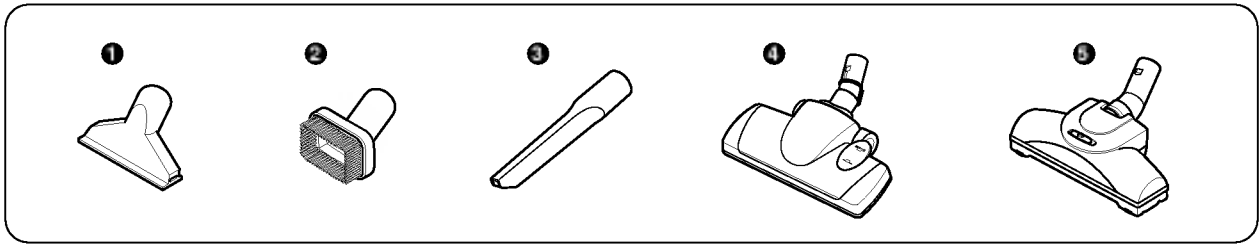
Upholstery nozzle is for vacuuming upholstery, mattresses, etc. The thread collectors help to pick up the threads and fluff.

2 Dusting brush

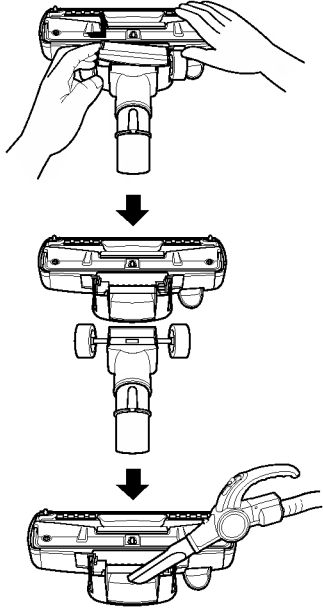
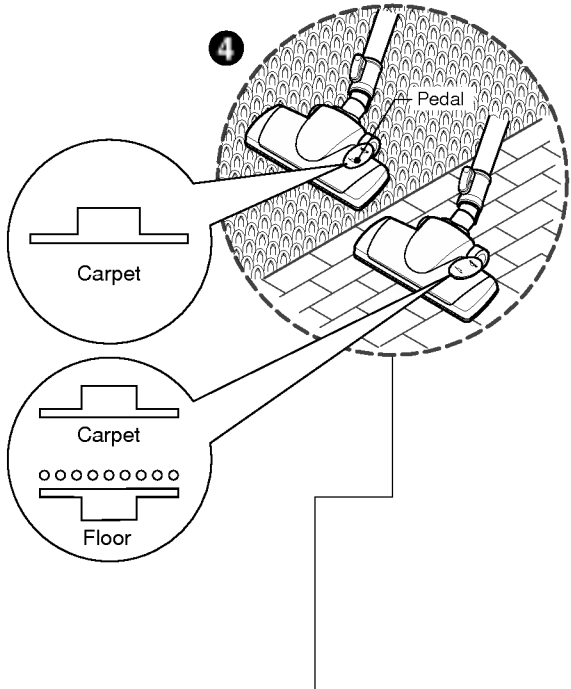
Dusting brush is for vacuuming picture frames, furniture frames, books and other irregular surfaces.

3 Crevice tool

Crevice tool is for vacuuming in those normally hard-to-reach places such as reaching cobwebs, or between the cushions of a sofa.



• **Cleaning carpet and floor nozzle**

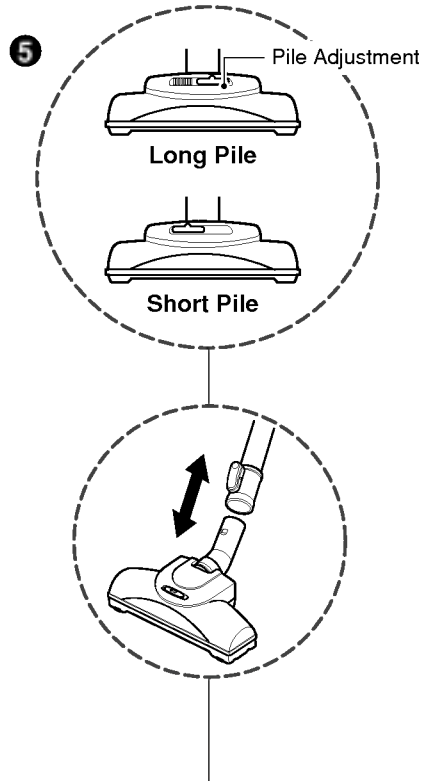


4 Carpet and floor nozzle

- **The 2 position cleaning head** equipped with a pedal which allows you to alter its position according to the type of floor to be cleaned.
- **Carpet or rug position**
Press the pedal to lower brush.
- **Hard floor position (tiles, parquets floor)**
Both types are available.

- Open the cover by pulling the hook.
- ↓
- Divide the nozzle into two parts
- ↓
- Clean the hole of the nozzle.

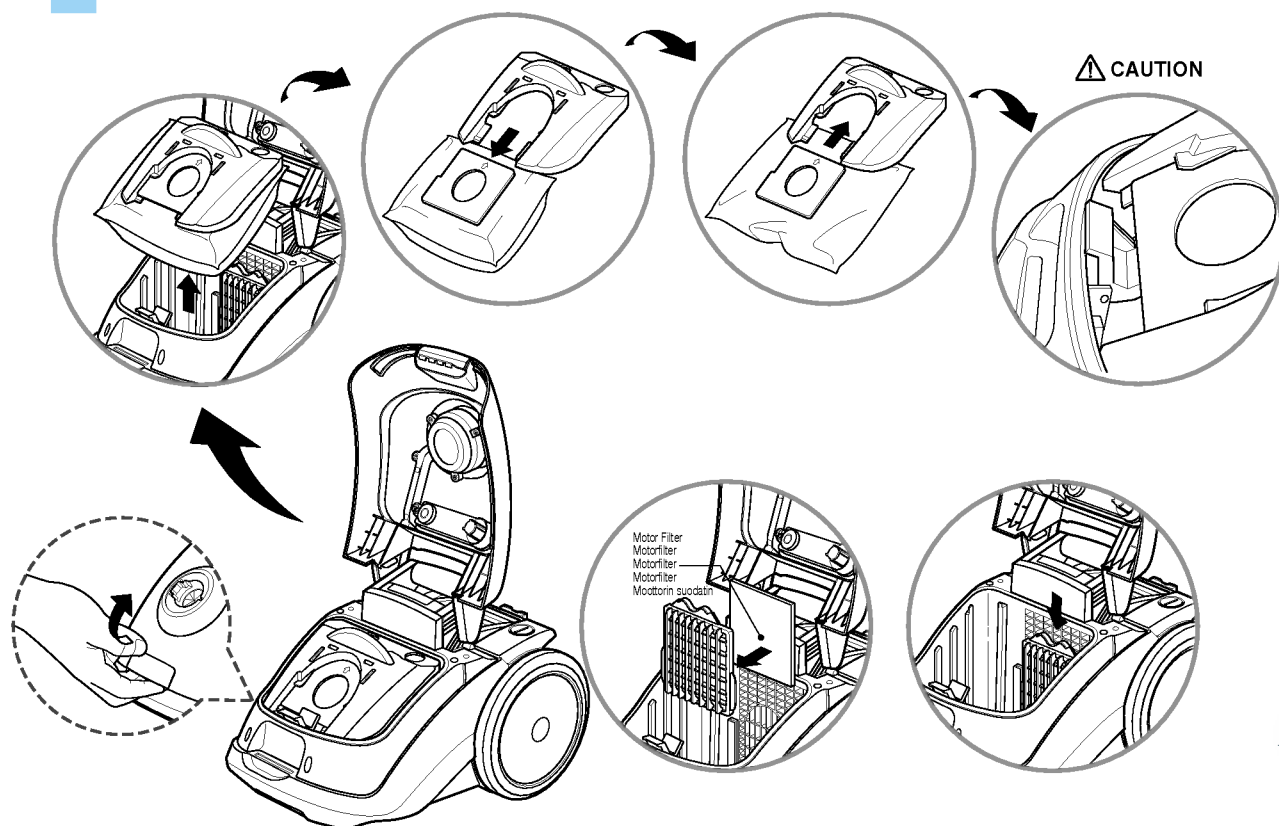
How to use Using the Air Turbine Brush



5 Air Turbine Brush

- Slide the Pile Adjustment to the right for long pile and to the left for short pile.

How to use Changing dust bag



Changing dust bag (This filter is able to replace with "SWIRL Y30" filter.)

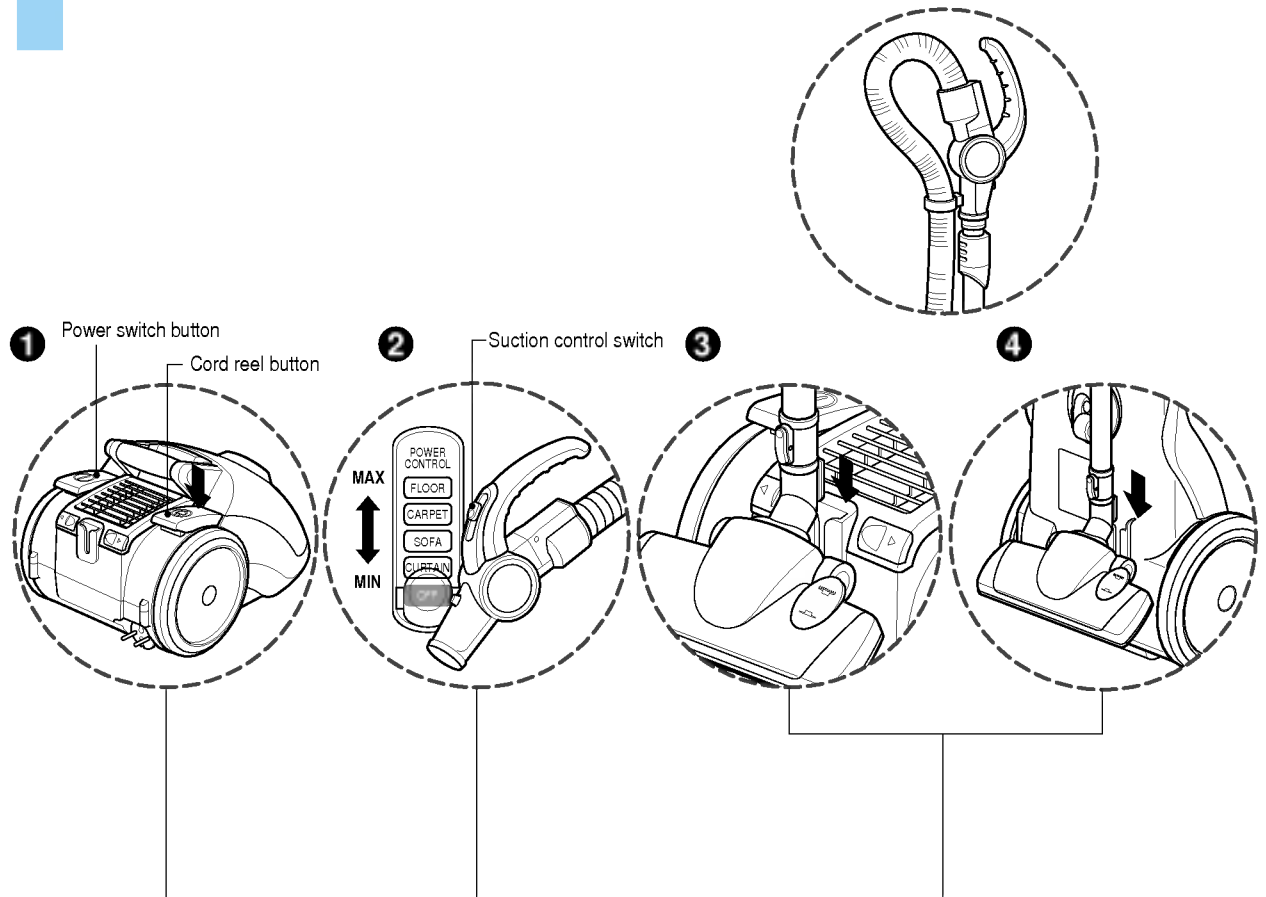
The dust bag needs changing when the cleaner is set to maximum power and the nozzle is off the floor but the "bag full" indicator window is completely coloured red.

Even if the dust bag does not appear to be full at this stage, it should be changed. It could be that a great deal of very fine dust has clogged up the pores of the dust bag.

- Turn off the appliance and unplug it.
- Remove hose from the Vacuum Cleaner.
- Push the button and open the cover.
- Your appliance is equipped with either a paper dust bag or a fabric dust bag.
- Insert the new dust bag.
- If your appliance is fitted with a fabric dust bag follow the same instructions as above. Empty it and replace it. Do not wash it.

Note: as the appliance is fitted with a safety device which checks that the dust bag is in place you cannot close the cover if the dust bag is not fitted correctly. The motor filter is situated inside the appliance between the dust bag and the motor. Each time that you change the dust bag filter we advise you to remove the motor filter and to clean it by tapping to remove the dirt and then replacing it in the vacuum cleaner.

How to use Operation



1 How to Plug in and Use

- Pull out the power cord to the desired length and plug into the socket.
- Push the suction control switch of the handle in the direction of the position what you want.
- To stop it, push down the suction control switch in the direction of OFF.
- Press the cord reel button to retract the power cord after use.

2 Adjusting the Suction power

- Adjust suction with the suction control switch in the hose handle.

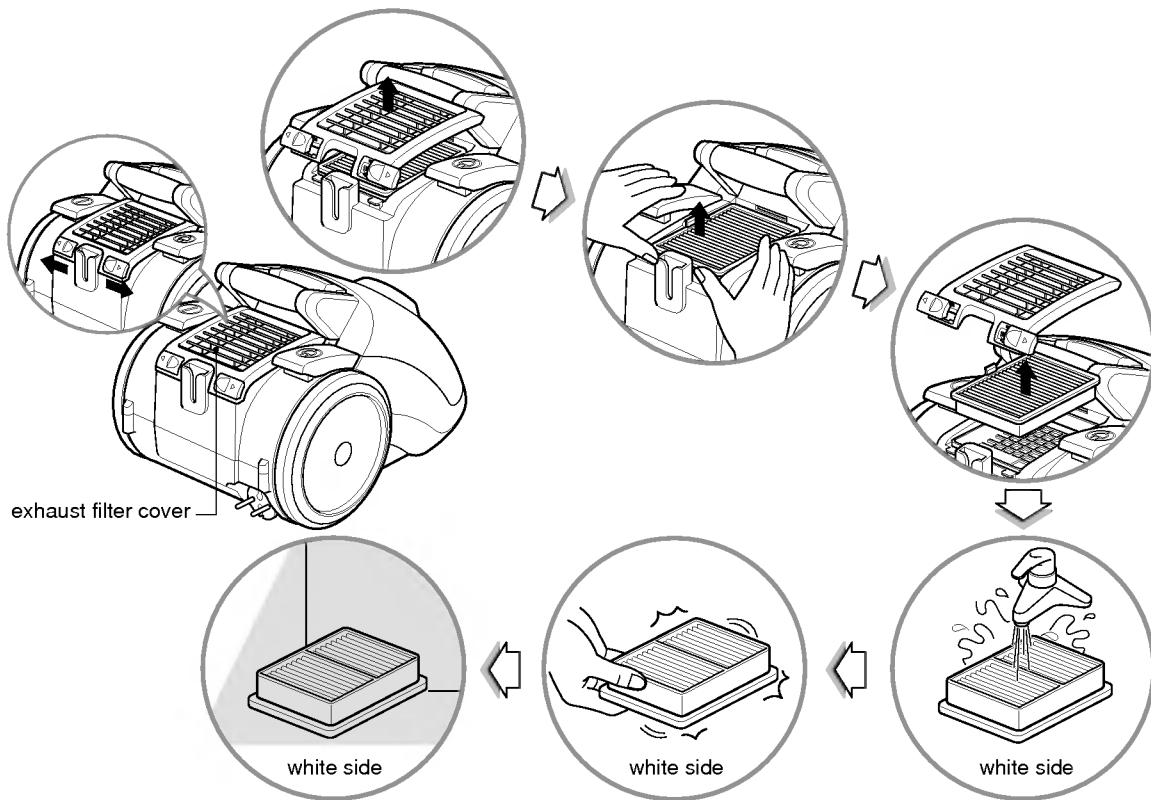
3 Park-system

- To store after vacuuming and pause while vacuuming.
- For deposit after vacuuming, for example to move a small piece of furniture or a rug, use the Park system to support the flexible hose and cleaning head.
 - Slide the hook on the large cleaning head into the slot on the rear of the dust chamber.

4 Storage

- When you have switched off and unplugged.
- The appliance, press on the button to automatically rewind the cord.
- You can store your appliance in a vertical position by sliding the hook on the large cleaning head into the clip on the underside of the appliance.

How to use Cleaning the exhaust filter



- The exhaust filter is a washable HEPA filter.
- To change the exhaust filter, remove the Exhaust filter cover on the body by release hook.
- Pull out the exhaust filter.
- Clean it with cold, running water.
- Do not clean blue side of the filter.
- Do not use the brush.
 - Using the brush will cause permanent damage and allow dust to bypass the filter.
- Allow exhaust filter to dry in a shaded location for a day or two until completely dry.
- The exhaust filter should be cleaned at least once a year.



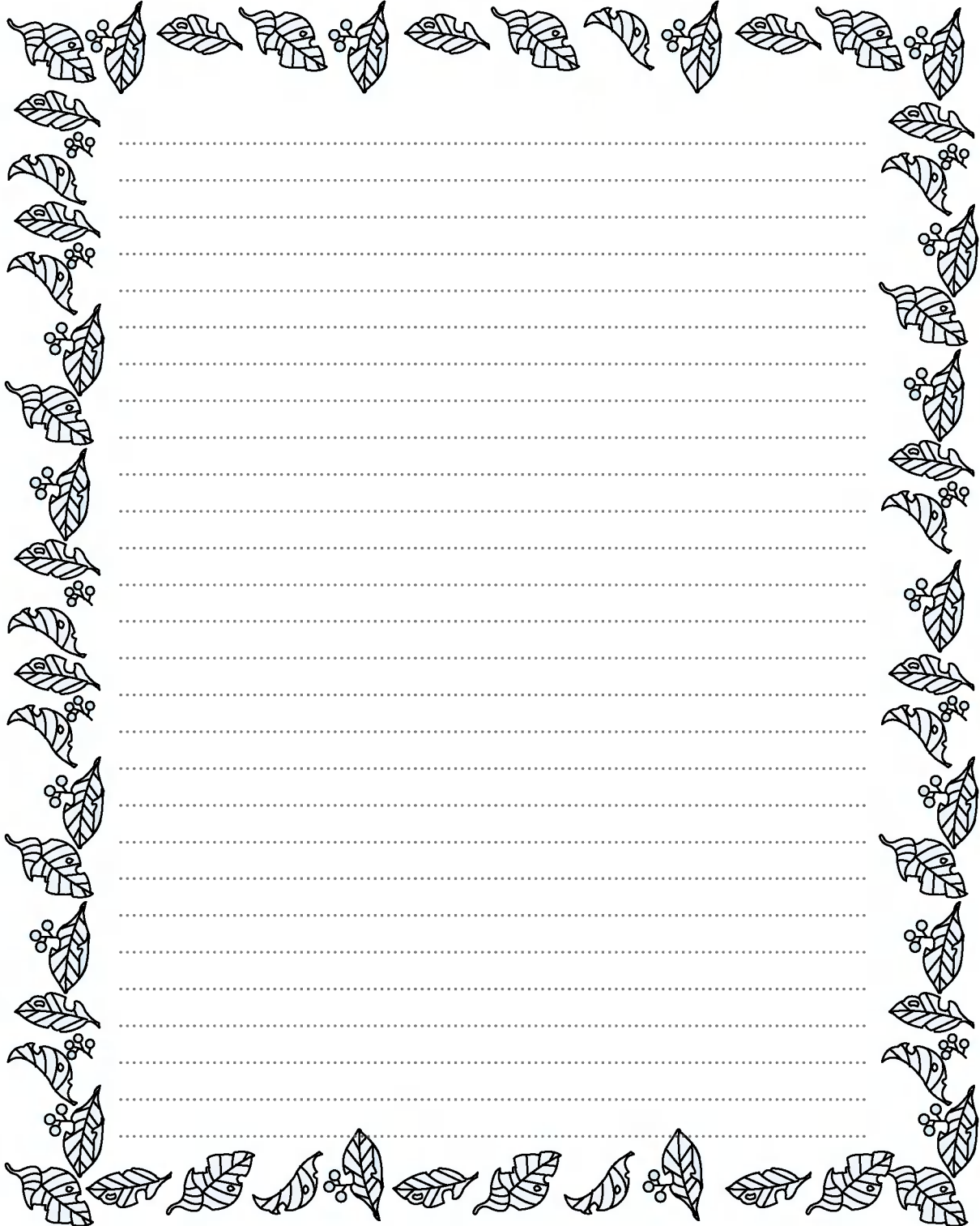
What to do if your vacuum cleaner does not work

Check that the vacuum is plugged in correctly and that the electrical socket is working.

What to do when suction performance decreases

- Turn off the vacuum cleaner and unplug it.
- Check the telescopic pipe, flexible hose and cleaning tool for blockages or obstructions.
- Check that the dust bag is not full. Empty if necessary.
- Check that the exhaust filter is not blocked. Clean the exhaust filter, if necessary.

Notes



Notes

A large rectangular area for writing, bounded by a decorative border of leaves and berries. The interior of the page is filled with horizontal dotted lines for writing.

