





FRIDGE-LARDER

User's Guide

Please read this User's Guide carefully before operating and keep it handy for reference at all times.



Table of Contents

Introduction	Important safety Instruction	4
	Disposal of the old appliance & packing of new appliance	6
	Identification of Parts	7
Installation	Location	8
	Installation with/without top table	9
	Electrical Connection	9
Operation	Starting	10
	Controlling the Temperature	10
	Switching Off	10
Suggestion on food storage	Storing food	11
Care and maintenance	Defrosting	12
	Cleaning	13
	General Information	14
	Lamp Replacing	14
	Tips for saving Energy	15
Trouble shooting	Trouble shooting	16
To Reverse the Doors	How to Reverse the Door	18
	Door handle(Optional)	19

Important Safety Instruction

Accessibility of Supply Plug

The supply plug of the refrigerator-larder should be placed in easy accessible position for quick disconnection in emergency.

Supply Cord Replacement

If the supply cord is damaged, it must be replaced by the manufacturer or its service agent or a similarly qualified person in order to avoid a hazard.

Precaution

This fridge-larder must be properly installed and located in accordance with the Installation Instruction before it is used.

Never unplug your fridge-larder by pulling on the power cord. Always grip plug firmly and pull straight out from the outlet.

When moving your appliance away from the wall, be careful not to roll over or damage the power cord.

Pull out the power plug prior to cleaning the fridge-larder

Never damage, severely bend, pull out, or twist the power cord because power cord damage may cause a fire or electronic shock.

Don't use an extension cord

If possible, connect the fridge-larder to its own individual electrical outlet to prevent it and other appliances or household lights from causing an overload.

⚠ Danger

Risk of child entrapment.

Before you throw away your old refrigerator :

Take off the doors.

Leave the shelves in place so that children may not easily climb inside.

Grounding (Earthing)

In the event of an electric short circuit, grounding (earthing) reduces the risk of electric shock by providing an escape wire for the electric current. In order to prevent possible electric shock, this appliance must be grounded. Improper use of the grounding plug can result in an electric shock.

Consult a qualified electrician or service person if the grounding instructions are not completely understood, or if you have doubts on whether the appliance is properly grounded.

⚠ Warning

- ⚠** Keep ventilation openings, in the appliance enclosure or in the built-in structure, clear of obstruction.
- ⚠** Do not use mechanical devices or other means to accelerate the defrosting process, other than those recommended by the manufacturer.
- ⚠** Do not damage the refrigerant circuit.
- ⚠** Do not use electrical appliances inside the food storage compartments of the appliance, unless they are of the type recommended by the manufacturer.
- ⚠** The refrigerant and insulation blowing gas used in the appliance require special disposal procedures. At disposal, please consult with service agent or a similarly qualified person.

Disposal of the old appliance & packing of new appliance

Disposal of the old appliance

The old appliance whose life has expired should be destroyed in order to make it safe prior to disposal. Take out power plugs, separate connection wires and remove or destroy all springs, latches or bolting, to prevent children from being trapped during play.

For environmental protection, old refrigerators should be disposed off by a professional disposition agency. If you have any question, please consult with the local sale agency or local authority.

Disposal of packing of new appliance

All packing materials used for this appliance are environment-friendly.

Matters concerning material are as follows:

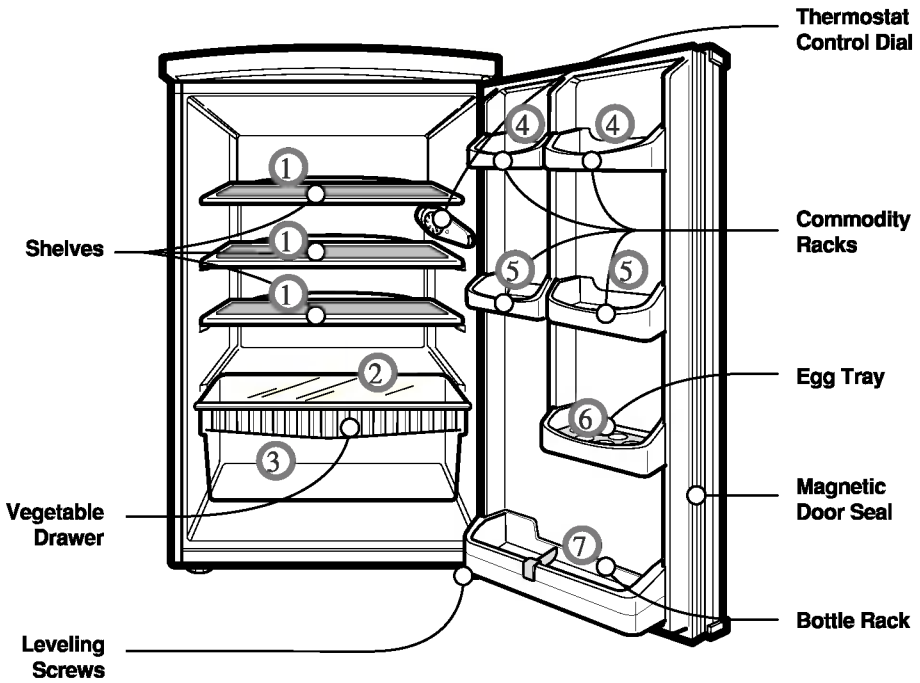
- PE : Polyethylene – Foil or pocket for packing
- PS : Formed objects made of foamed CFC-FREE polystyrene
- PP : Strapping tape made of polypropylene

Take back offer

This appliance contains fluid (refrigerant, lubricant) and is made of parts and materials which are reusable and/or recyclable.

All the important materials should be sent to the collection center of waste material and can be reused after rework (recycling). For take back, please contact with the local agency.

Identification of Parts

**NOTE**

This is a basic model. The shape of refrigerator is subject to change.

Location

We recommend that the refrigerator be installed at a dry and well ventilated place. Make sure that the appliance is not exposed to direct sunlight or placed in vicinity of a heat source such as stove, heaters, radiator. If it is impossible, make use of an adequate plate (not asbestos) or at least the following minimum distance must be secured.

from a Gas or electric cooker : 3cm

from oil or coal-fired stoves : 30cm

from another refrigerating appliance : 2cm

NOTE

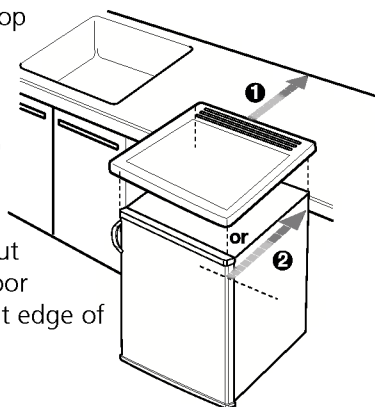
Place on a flat and firm flooring. If the floor is not even, adjust the feet by using the leveling screw at the front edge of the cabinet.

If the front is slightly higher than the rear, the door can close more easily.

Installation with/ without top table

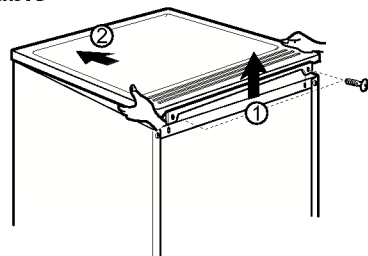
Check that the hot air caused to warm air from the rear of the appliance circulates without obstruction. If not, it could cause the output of the refrigerating unit to increase and this will result in a higher rate of energy consumption. Therefore, confirm that ventilation grill is never covered or blocked.

1. when installing with top table (free standing), push the refrigerator until the air circulating hole of top table nearly reaches the wall.
2. when installing without top table, align the door front edge to the front edge of kitchen furniture.



How to Remove Top Table

1. Unscrew 2 bolts at the rear of top table.
2. Hold the rear of top table and push forwards by lifting up top table slightly.



Electrical connection

This appliance should be connected to the mains AC 220~240V, 50 Hz. You must connect this appliance only to the power socket with grounding complying with the related regulations and only an approved expert should install this appliance.

Starting

Before switching it on, leave the appliance standing for at least 2 hours, so that the circulation of the refrigerant stabilizes and no operating problems occur.

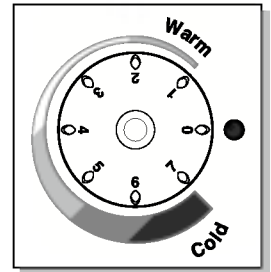
Turn the temperature control dial from the position "0". The refrigerating process begins and the lamp inside refrigerator goes on when the door is opened.

Controlling the temperature

We recommend to set the dial "4" for normal.

Too warm: Turning the temperature control dial clockwise will set to a colder setting (higher number setting).

Too cool: Turning the temperature control dial counterclockwise will set to a warmer setting (lower number setting).



The temperature setting depends on ambient temperature, the quantity of foods, how often the door is opened. So the temperature setting should be checked by using an appropriate thermometer and following the instructions on it.

Switching off

Turn the temperature control dial counterclockwise until set to "0". The refrigerating process stops and the lamp inside refrigerator goes off.

Storing food

Opening the door often or keeping the door opened a long time, increases the inside temperature. This causes the storage life and flavor of the foods to reduce, and increases the energy consumption.

Arranging food

- Store the food products that give off odor in closed containers and wrap.
- Use aluminum foil, plastic foil and metal or glass containers as the packing material for foods.
- Allow warm foods to cool down sufficiently before placing inside the appliance.
- Keep high-proof alcoholic beverages in airtight bottles and upright position.
- Do not store the products (melon, banana, pineapple etc) which are likely to go bad at low temperature.

<Refer to the Figure of page 7>

- ① Bread, ready-cooked meals.
- ② Meat, Sausages, Slice products.
- ③ Vegetables, Fruit, Salad produce.
- ④ Butter, Cheese.
- ⑤ Small glasses or bottles, cans, spices.
- ⑥ Eggs.
- ⑦ Large beverage bottles.

Make sure the door is closed properly.

Defrosting

Defrosting the fridge compartment

When the refrigerator is working, frost is formed at the rear wall of the fridge compartment and melts automatically when the compressor stops. The thawed water is collected in the discharge gutter and evaporates by heat of the compressor.

NOTE

Never place electrical devices in the refrigerator for defrost. Take care when using defrosting sprays for assisting defrosting. These sprays include substances containing explosive gas, or harmful for synthesis or human health.

▲ Warning

Cleaning

Always remove plugs or Switch off supply before cleaning.

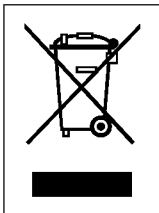
Do not use sharp objects (such as knife, screwdriver) which could break refrigerant circuit resulting in environmental and health risks.

Never use steam cleaner or steam pressure cleaner since hot steam may damage refrigerator surface and electrical devices. Never use sand, abrasive detergent, acid or chemical solvent.

- Care should be taken that cleaning water does not enter the inside of the thermostat Enclosure or lamp.
- Clean refrigerator including inside devices with clothes or lukewarm water. You may use commercial detergent for tableware.

Regularly clean the heat exchanger on the rear side of refrigerator using a smooth brush so that accumulations of dusts and residues. Do not disrupt expansion from the inside and cause increased energy consumption.

Any damage to the heat exchanger or other events leading to the exposure of the refrigerant to the environment, should be avoided because of potential environment and health risks.

Disposal of your old appliance

1. When this crossed-out wheeled bin symbol is attached to a product it means the product is covered by the European Directive 2002/96/EC.
2. All electrical and electronic products should be disposed of separately from the municipal waste stream via designated collection facilities appointed by the government or the local authorities.
3. The correct disposal of your old appliance will help prevent potential negative consequences for the environment and human health.
4. For more detailed information about disposal of your old appliance, please contact your city office, waste disposal service or the shop where you purchased the product.

General information

Going away

When you plan to be away for an extended period, remove all food, disconnect the power cord, clean the interior thoroughly, and leave the door OPEN to prevent odor formation.

Power failure

Most power failures are corrected in an hour or two and will not affect your refrigerator temperatures. However, you should minimize the number of door openings while the power is OFF.

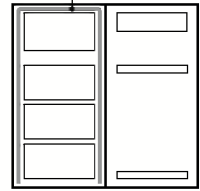
If you move

Remove all items inside the refrigerator or securely fasten all loose items. To avoid damaging the leveling screw, turn them all the way into the base.

Anti-condensation pipe

- The Anti-condensation pipe is installed around the front side of fridge-larder to prevent dewing.
- Especially after installation or when ambient temperature is high, the fridge-larder may feel hot, which is quite normal.

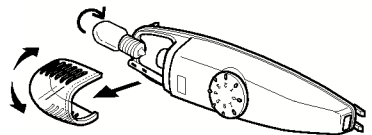
Anti-Condensation Pipe



Lamp Replacing

Unplug the power cord from the AC outlet.

1. Take the shelves out to make access easier.
2. Hold the cover lamp, take it out softly from the thermostat enclosure with twisting up and down.
3. Turn the lamp counterclockwise, and replace it (max 15W, 220~240V)
4. Assemble in reverse order of disassembly. Replacement bulb must be the same specification as original.



Tips for saving Energy

- After moving the appliance, allow 2 hours to turn on again.
- Do not place the appliance near radiator, stove, and heat sources. If ambient temperature is high, the compressor will run longer.
- Place the appliance on a cool and well ventilated room. Do not expose to direct sunlight.
- Do not keep the door opened too long.
- Do not place warm food and beverages in appliance. Please cool down first otherwise the steam from hot foodstuffs would contribute to the icing up of the evaporator unit; and the cooling period should be as short as possible, for health and hygiene reasons.
- Do not set the temperature of appliance lower than needed.
- Replace magnetic door gasket of the door if it is not properly functioning.

Before calling for service, check this list. It may save you both time and expense. This list includes common occurrences that are not the result of defective workmanship or materials in this appliance.

Problem	Possible Causes
<p>Fridge-Larder does not operate</p>	<ul style="list-style-type: none"> • Power plug may be unplugged from the electric outlet. Plug it in securely. • House fuse has blown or circuit breaker has tripped. Check and/or replace fuse and reset circuit breaker. • Power cut. Check house lights.
<p>Vibration or Rattling or Abnormal Noise</p>	<ul style="list-style-type: none"> • The floor on which the fridge-larder is installed may be uneven or the fridge-larder may be unstable. Make it even by rotating the leveling screw. • Unnecessary objects placed in the back side of the fridge-larder.
<p>Temperature of foods inside refrigerator is not cold enough</p>	<ul style="list-style-type: none"> • Too frequent or too long door openings. There is a heat source near Fridge-larder. A large quantity of food was placed inside the fridge compartment.
<p>The inner light does not work</p>	<ul style="list-style-type: none"> • The temperature controller is on setting "O". The bulb is defective. Refer to "Section of Lamp Replacing"
<p>The temperature inside the refrigerator is too cold</p>	<ul style="list-style-type: none"> • The temperature controller is setting to extremely high figure.

Problem	Possible Causes
Fridge has odor	<ul style="list-style-type: none">• Foods with strong odors should be tightly covered or wrapped• Check for spoiled food• Interior needs cleaning• Refer to "Cleaning Section"
Moisture forms on cabinet surface	<ul style="list-style-type: none">• This phenomenon is likely to occur in a wet space. Wipe it with a dry towel
Interior light does not work	<ul style="list-style-type: none">• No power at outlet.• Light lamp needs replacing. Refer to the Lamp Replacement section.

How to Reverse the Door

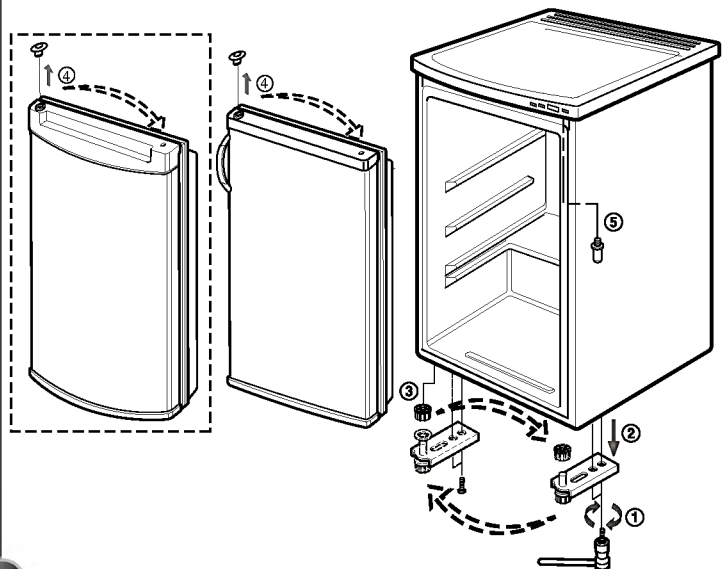
Your refrigerator is designed with a reversible door, so you may open from either left or right. It is best to reposition the door hinge as necessary at the outset since it is inconvenient to do so later.

To change the door hinge please refer to the diagram below and proceed as follows.

Precaution

1. First unplug the appliance.
2. Remove foods and accessories like shelves or trays which are not fixed in the refrigerator.
3. Carefully lay the appliance on a cushion like packing material to avoid the damage of refrigeration circuit.
4. Use '+' driver or spanner to fix or remove the bolts.

1. Unscrew the 2xBOLTS ①, then remove the hinge (L) ②.
2. Remove the LEG ③.
3. Gently pull the door downwards to remove it.
4. Before refitting the door, swap the Hinge Cap ④ by pulling it out from its current location and repositioning it on the other side of the door. Care should be taken not to damage the adjacent surfaces when removing the Hinge Cap.
5. Unscrew the Upper Hinge pin (U) ⑤ and screw it into the opposite side hole.



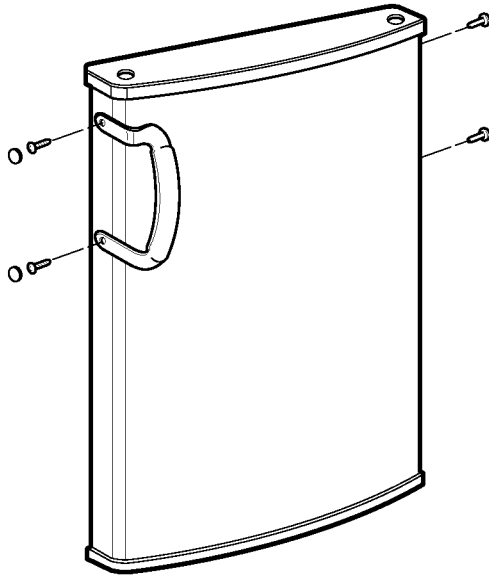
How to Reverse the Door

6. After refitting the door, fix the Lower Hinge(L) in the opposite side by using 2xBOLTS.
7. Fix the Leg.
8. Carefully place the appliance in an upright position. Adjust the Leveling screw to make sure the appliance is steady and check that the door opens and closes properly.

NOTE

In case of applying Reversible door, when you close the door with excessive force, there could be the case that the door doesn't close because of Reaction force. Please ascertain if the door closes properly.

Door handle(Optional)





HŰTŐSZEKRÉNY- ÉLELMISZERTÁROLÓ

Használati útmutató

Kérjük, hogy a készülék használatba vétele előtt gondosan olvassa el a használati útmutatót, és őrizze meg azt, mert később is szüksége lehet rá.



Obsah

Bevezetés	Fontos biztonsági információk	4
	A régi készülék ártalmatlanítása és az új készülék csomagolása	6
	A készülék részegységei, tartozékai	7
Üzembe helyezés	Hol helyezük el?	8
	Üzembe helyezés Top Table-lel vagy anélkül	9
	Csatlakoztatás az elektromos hálózatba	9
A készülék működése	Elindítás	10
	Hőmérséklet szabályozása	10
	Kikapcsolás	10
Élelmiszertárolási javaslatok	Élelmiszerek tárolása	11
Gondozás és karbantartás	Leolvasztás	12
	Tisztítás	13
	Általános információk	14
	Izzócsere	14
	Energiamegtakarítási tippek	15
Problémaelhárítás	Problémaelhárítás	16
Ajtók nyitási irányának megváltoztatása	Ajtók nyitási irányának megváltoztatása	18
	Ajtófogantyú (opcionális)	19

Fontos biztonsági információk

Csatlakozódugó hozzáférhetősége

A hűtőszekrény-élelmiszertárolót csatlakozódugóját úgy kell elhelyezni, hogy baleset esetén könnyen és gyorsan hozzáférhető és kihúzható legyen.

Csatlakozózsínór cseréje

Ha a csatlakozókábel megsérül, ki kell cserélni. A cserét kizárólag a gyártó vagy a szervízzolgáltatást biztosító cég, illetve a fentiekkel azonos képesítéssel rendelkező szakember végezheti el.

Óvintézkedések

Használatbavétel előtt a hűtőszekrény-élelmiszertárolót megfelelően üzembe kell helyezni. A készülék helyének megválasztásakor a jelen használati utasításban foglalt előírásokat be kell tartani.

Soha ne húzza ki a készülék csatlakozódugóját a kábelnél fogva. Ha áramtalanítani kívánja a berendezést, markolja meg a csatlakozódugót, és annál fogva húzza ki a dugaljából.

Ügyeljen arra, hogy a készülék mozgatásakor ne kerüljön a csatlakozózsínór a készülék alá, illetve más módon se sérüljön meg.

A készülék tisztításának megkezdése előtt mindig húzza ki a hálózati csatlakozódugót.

A csatlakozózsínórt soha ne rongálja, szerelje szét, csomózza össze vagy hajlítsa meg túlságosan, mert a sérült kábel tüzet vagy áramütést okozhat.

Ne használjon hosszabbítózsínórt

Ha mód van rá, a hűtőszekrény-élelmiszertárolót közvetlenül a saját csatlakozódugójával csatlakoztassa a hálózatra: így elkerülhető a más háztartási készülékek vagy a világítás okozta hálózati túlterhelés, ami áramszünetet okozhat.

⚠ Veszély

Gyermek beszorulhat
Kérjük, hogy mielőtt használaton kívül helyezné (kidobná) a készüléket:
Szerelje le az ajtókat .
Hagyja a készülékben a polcokat, ily módon megakadályozhatja, hogy egy gyerek belemásszon.

Földelés

Elektromos rövidzárlat esetén a földelés csökkenti az áramütés kockázatát, mert lehetővé teszi, hogy az áram egy harmadik dróton keresztül távozni tudjon. Az áramütés elkerülése érdekében a készülék kizárólag földelt csatlakozóval használható. A földelt csatlakozó helytelen használata áramütést okozhat.

Kérje képzett szakember vagy szerviz tanácsát, ha nem világosak a földeléssel kapcsolatos tudnivalók vagy ha nem biztos abban, hogy a készülék földelése megfelelő-e.

⚠ Figyelem

- ⚠ A készülék burkolatán illetve a beépített konyhabútor felületén található szellőzőnyílásokat mindig szabadon kell hagyni.
- ⚠ A leolvadás felgyorsításához kizárólag a gyártó által ajánlott szerszámokat vagy egyéb eszközöket használja.
- ⚠ A hűtőkört ne rongálja meg.
- ⚠ A készülék belsejében kizárólag olyan elektromos készüléket használjon, amelyet a gyártó kifejezetten erre a célra javasol.
- ⚠ A készülék hűtését és szigetelését biztosító hajtógáz ártalmatlanítása speciális eljárást igényel. Ha erre kerül a sor, kérje ki a szervízszolgáltatást biztosító cég, illetve a fentiekkel azonos képesítéssel rendelkező szakember tanácsát.

A régi készülék ártalmatlanítása és az új készülék csomagolása

A régi készülék ártalmatlanítása

A használaton kívül helyezett régi készüléket a biztonságos ártalmatlanítás érdekében megfelelő módon le kell szerelni.

Szerelje le a hálózati csatlakozódugaszt, válassza le a csatlakozózsínort, szerelje le a rugókat, zárszerkezeteket, zsanérokat és csavarokat, nehogy a gyermekek játék közben beszoruljanak a készülékbe.

A környezet védelme érdekében a régi készülék ártalmatlanítását kizárólag erre szakosodott cég végezheti.

Ha bármilyen kérdése van, vegye fel a kapcsolatot a helyi értékesítőcéggel vagy az illetékes hatósággal.

Az új készülék csomagolásának ártalmatlanítása

A készülék csomagolására használt valamennyi anyag környezetbarát.

A csomagolóanyagokra vonatkozó információk:

- **PE** : Polietilén – csomagolásra használt fólia vagy zacskó.
- **PS** : Habosított CFC-mentes polisztirolból öntött darabok.
- **PP** : Polipropilénből készült csomagolószalag.

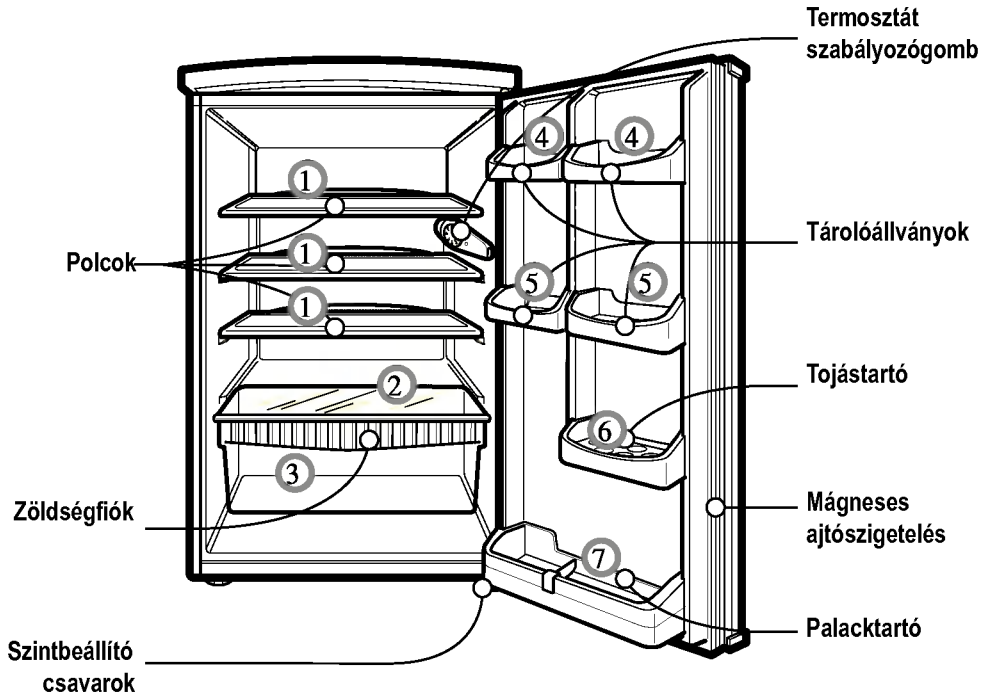
Visszavételi ajánlat

A készülék újrahasznosítható és/vagy újrafeldolgozható folyadékokat, (hűtő, kenő) alkatrészeket és anyagokat tartalmaz.

Valamennyi fontos anyagot hulladékgyűjtő-központba kell küldeni, ahol megfelelő feldolgozás után azok újrahasznosíthatók.

A visszavétellel kapcsolatban vegye fel a kapcsolatot a helyi értékesítőcéggel.

A készülék részegységei, tartozékai



FIGYELEM

Ez egy alaptípus. A készülék formája előzetes értesítés nélkül változhat.

Hol helyezzük el?

Javasoljuk, hogy a készüléket száraz és jól szellőző helyiségben helyezze el. Ügyeljen arra, hogy a készüléket ne érje közvetlen napfény, és ne helyezze azt hőforrás közelébe, pl. tűzhely, fűtőtest, radiátor. Ha erre nincs lehetőség, használjon megfelelő védőlemezt (nem azbesztet) vagy tartsa be az alábbi minimális távolságokat:

- gáz vagy elektromos tűzhely: 3 cm
- olaj- vagy széntüzelésű kályha: 30 cm
- másik hűtőberendezés: 2 cm

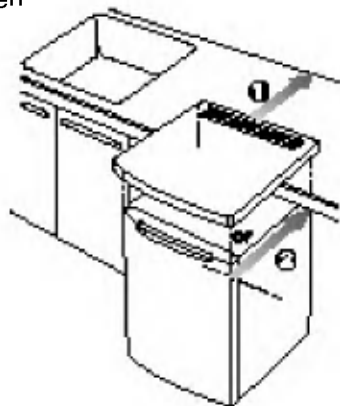
FIGYELEM

A készüléket szilárd és sima felületen helyezze el. A padló egyenetlenségeit szükség esetén a készülékház elején található szintbeállító lábakkal lehet ellensúlyozni. Az ajtók megfelelő csukódása érdekében a készülék elülső részének egy kicsit magasabban kell állnia, mint a hátsónak.

Üzembe helyezés Top Table-lel vagy anélkül

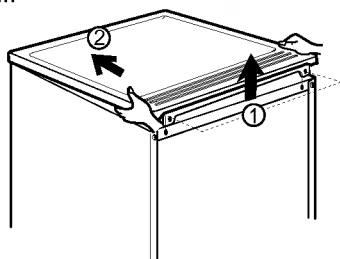
A készülék fagyasztott termékek tárolására alkalmas. A készülék háztartásban történő használatra készült. Ha ipari vagy kereskedelmi célú felhasználást tervez, minden esetben tartsa be a vonatkozó előírásokat. Ha a készüléket nem a használati utasításban megadott célra vagy helytelen módon használják, a gyártó nem vállal felelősséget az esetleges károkért

1. A környezetvédelmi ajánlások be nem tartása azt eredményezheti, hogy a készülék energiafogyasztása megnő.
2. Használatbavétel előtt a hűtőszekrényt megfelelően üzembe kell helyezni. A készülék helyének megválasztásakor a jelen használati utasításban foglalt előírásokat be kell tartani.



A Top Table eltávolítása

1. Csavarja ki a Top Table hátsó részén lévő két csavart.
2. Fogja meg a Top Table hátsó részét, és kissé megemelve nyomja azt előre.



Csatlakoztatás az elektromos hálózatba

A készüléket az alábbi műszaki specifikációjú hálózatba szabad csatlakoztatni: AC 220~240V, 50 Hz. A készülék kizárólag a vonatkozó műszaki előírásoknak megfelelő földeléssel ellátott aljzatba csatlakoztatható. A készüléket csak a megfelelő végzettséggel rendelkező szakember helyezheti üzembe.

Elindítás

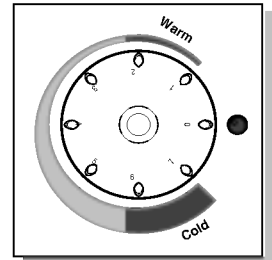
Bekapcsolás előtt hagyja a készüléket legalább 2 órán át üresen járni, így a hűtőfolyadék keringése stabilizálódhat és nem léphet fel működési probléma.

Tekerje el a hőmérséklet szabályozó gombot a "0" állásból. A hűtési folyamat beindul, és az ajtó kinyitására a belső világítás bekapcsol.

Hőmérséklet szabályozása

Javasoljuk, hogy normál igénybevétel esetén állítsa a szabályozógombot "4"-es állásba.

Túl meleg: Ha a hőmérséklet szabályozót az óramutató járásával megegyező irányba forgatja, a hűtés intenzitása erősödik. (magasabb számérték).



Túl hideg: Ha a hőmérséklet szabályozót az óramutató járásával ellenkező irányba forgatja, a hűtés intenzitása gyengül (alacsonyabb számérték).

A hőmérséklet szabályozás függ a helyiség hőmérsékletétől, a készülék elhelyezésére választott terület jellegétől, illetve attól, hogy milyen gyakran nyitogatják a készülék ajtóit. Vagyis a készülék hőmérsékletének pontos beállításához szerezzen be egy megfelelő hőmérőt, és kövesse az ahhoz adott használati utasítást.

Kikapcsolás

Forgassa a hőmérséklet szabályozót az óramutató járásával ellenkező irányba "0" állásig. A hűtési folyamat leáll, és a belső világítás kikapcsol.

Élelmiszerek tárolása

A gyakori ajtónyitogatás vagy az ajtó túl hosszú ideig tartó nyitva tartása emeli a készülék belső hőmérsékletét. Emiatt csökkenhet az élelmiszerek eltarthatósági ideje, gyengülhet a minősége, ráadásul az energiafogyasztás is magasabb lesz.

Élelmiszerek elrendezése

- Az erősebb illatú élelmiszereket gondosan becsomagolva vagy jól záró tárolóedénybe helyezve kell a hűtőszekrényben tárolni.
- Az élelmiszerek csomagolására használjon alufóliát vagy műanyagfóliát, illetve fémből, üvegből vagy műanyagból készült tárolóedényeket.
- A forró ételt hagyja lehűlni, mielőtt a hűtőszekrénybe tenné.
- A magas alkohol-tartalmú szeszesitalokat jól záró palackban és állítva helyezze el a készülékben.
- Ne tároljon olyan élelmiszereket a hűtőszekrény–élelmiszertárolóban, amelyek alacsony hőmérsékleten könnyen megromlanak (dinnye, banán, ananász stb.).

<Lásd a 7. oldalon található ábrát7>

- ① Kenyér, készételek
- ② Hús, kolbász, felvágottak
- ③ Zöldség, gyümölcs, saláták
- ④ Vaj, sajt
- ⑤ Kisméretű palackok, italos dobozok, fűszerek
- ⑥ Tojás
- ⑦ Nagyméretű palackok

Ügyeljen arra, hogy az ajtó mindig jól legyen becsukva.

Leolvasztás

A mélyhűtő rekesz leolvasztása

Amikor a hűtőszekrény üzemel, a hűtőszekrény rekesz hátsó falán jégképződés figyelhető meg. Ez a jég automatikusan leolvad, miután a kompresszor leáll. Az olvadt víz egy elvezető csatornába kerül, és onnan a kompresszor hőjének hatására elpárolog.

FIGYELEM

A leolvasztás céljából soha ne helyezzen elektromos készüléket a hűtőszekrény belsejébe. A leolvasztó-spray használatakor legyen óvatos. Ezek a palackok robbanásveszélyes vagy az emberi egészségre ártalmas gázokat tartalmaznak.

▲ Figyelem**Tisztítás**

A készülék tisztításának megkezdése előtt mindig húzza ki a hálózati csatlakozódugót vagy kapcsolja ki a készüléket.

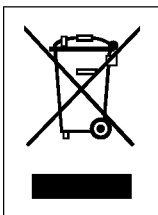
A tisztításhoz ne használjon éles, hegyes tárgyakat (pl. kés, csavarhúzó), mert ezek megsérthetik a hűtőkört és környezeti vagy egészségügyi kockázatokat okozhatnak.

Gőznyomásos tisztítókészüléket soha ne használjon, mert a forró gőz károsíthatja a készülék felületét vagy az elektromos rendszert. Soha ne használjon homokot, csiszoló hatású tisztítószeret vagy oldószert.

- Az alkalmas rögzítő, záróanyagok a következők: gumiszalag, műanyagcsipesz, ragasztószalag, zsinór.
- A készülék belsejét és külsejét törőlkendővel és langyos vízzel tisztítsa. Az edények mosogatásához ajánlott mosogatószerek használhatók.

A por és egyéb anyagok eltávolítása érdekében rendszeres időközönként tisztítsa meg a készülék hátoldalán található hőcserélőt egy puha kefével.

A hőcserélőt érő sérüléseket, illetve a hűtőfolyadék szabadba kerülését minden esetben kerülni kell, mert ezzel környezeti vagy egészségügyi károkat okozhatunk.

Régi eszközök ártalmatlanítása

1. A termékhez csatolt áthúzott, kerekese szeméttároló jel jelöli, hogy a termék a 2002/96/EC EU-direktíva hatálya alá esik.
2. Minden elektromos és elektronikai terméket a lakossági hulladéktól elkülönítve kell begyűjteni, a kormány vagy az önkormányzatok által kijelölt begyűjtő eszközök használatával.
3. Régi eszközeinek megfelelő ártalmatlanítása segíthet megelőzni az esetleges egészségre vagy környezetre ártalmas hatásokat.
4. Ha több információra van szüksége régi eszközeinek ártalmatlanításával kapcsolatban, tanulmányozza a vonatkozó környezetvédelmi szabályokat, vagy lépjen kapcsolatba az üzlettel, ahol a terméket vásárolta.

Általános információk

Elutazás előtt

Ha hosszabb időre távozik, húzza ki a hálózati csatlakozót, és hagyja NYITVA a készülék ajtaját, így megelőzheti a kellemetlen szagok kialakulását.

Áramszünet

Az egy-két órán belül elhárított áramkimaradások semmiféle hatást nem gyakorolnak a készülékben tárolt élelmiszerekre. Ugyanakkor ügyeljen arra, hogy áramszünet idején lehetőleg minél kevesebbszer nyissa ki az ajtókat.

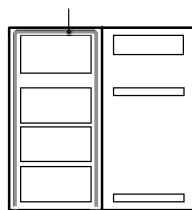
Költözés

Vegyen ki mindent a hűtőszekrényből vagy rögzítse biztonságosan a szabadon mozgó tartozékokat. Az állítható lábak sérülésének elkerülése érdekében csavarja be azokat ütközésig a készülék aljába.

Párasodásgátló cső

- A párasodásgátló csőrendszer a mélyhűtő és a hűtőszekrény elülső oldalán található, és funkciója a páralecsapódás megelőzése.
- Közvetlenül beüzemelés után vagy magas külső hőmérséklet esetén előfordulhat, hogy a hűtőszekrény-élelmiszertároló külső fala átmelegszik, de ez teljesen normális jelenség.

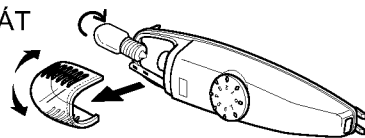
Párasodásgátló cső



Izzócsere

Húzza ki a hálózati csatlakozódugót a fali dugaljból.

1. Vegye ki a CSEPPTÁLCÁT és a polcokat, így könnyebben hozzáférhet a lámpához.



2. Fogja meg a LÁMPABORÍTÁST, és óvatosan fel-le mozgatva vegye ki azt a termosztát burkolatából.
3. Az óramutató járásával ellentétes irányban forgatva csavarja ki az izzót, és helyezzen be egy újat.
4. Fordított sorrendben végezze el a fenti műveleteket. A csereizzó műszaki adatainak meg kell egyeznie az eltávolított izzóéval.

Energiamegtakarítási tippek

- A készülék mozgatása után várjon legalább 2 órát, mielőtt újra bekapcsolja.
- Ne helyezze a készüléket radiátor, kályha vagy egyéb hőforrás közelébe. Ha a külső hőmérséklet túl magas, a kompresszor hosszabb időn át fog üzemelni.
- A készüléket hűvös és jól szellőző helyiségben helyezze el. A készüléket ne tegye ki közvetlen napfénynek.
- A készülék ajtaját ne tartsa túl hosszú ideig nyitva.
- A készülékbe ne tegyen meleg ételt vagy italt. A meleg ételeket és italokat először hűtse el, mert ellenkező esetben a forró anyagból felszálló gőz miatt a párologtató egység eljegesedhet. A hűtési időszaknak egészségügyi és higiéniai okokból a lehető legrövidebbnek kell lennie.
- A készülék hőmérsékletét ne állítsa a szűk ségesnél alacsonyabbra.
- Ha az ajtó nem működik megfelelően, cserélje ki a mágneses ajtó-tömítést.

Mielőtt a szervizt hívná, tekintse át ezt a listát. Ezzel időt és költséget takaríthat meg. A listán olyan gyakran előforduló jelenségeket, működési problémákat sorolunk fel, amelyek nem gyártási hibából vagy anyaghibáról erednek.

Probléma	Lehetséges okok
A hűtőszekrény- élelmiszertároló nem működik	<ul style="list-style-type: none"> • A hálózati csatlakozódugó kilazulhatott vagy kicsúszhatott a dugaljából. Dugja vissza a dugót a dugaljba • Kiégett egy biztosíték vagy lecsapódott a megszakító. Ellenőrizze/cserélje ki a biztosítékokat és nyomja vissza a megszakító kapcsolóját. • Áramszünet Ellenőrizze, hogy a lakásban égnek-e a lámpák
Vibráció, zörgés vagy rendellenes zaj	<ul style="list-style-type: none"> • A felület, amelyen a készüléket elhelyezték, egy enetlen. A készülék nem stabil. Szintezze be a készüléket a magasságállító-lábak segítségével. • A mélyhűtő rekesz leolvasztása
A készülékben elhelyezett élelmiszer hőmérséklete nem elég hideg	<ul style="list-style-type: none"> • Túl gyakran nyitogatják vagy túl sokáig hagyják nyitva az ajtót. Hőforrás van a készülék közelében. Nagy mennyiségű élelmiszert helyeztek a készülék belsejébe.
A belső világítás nem működik	<ul style="list-style-type: none"> • A hőmérséklet szabályozó gomb "O" állásba van állítva. Kiégett az izzó. Lásd a "Izzócsere a lámpában" szakaszt.
A készülék belsejének hőmérséklete túl hideg	<ul style="list-style-type: none"> • A hőmérséklet-állító gombot túl magas értékre állították.

Probléma	Lehetséges okok
<p>Kellemetlen szag a készülékben</p>	<ul style="list-style-type: none"> • Az erős szagú élelmiszereket szorosan záródó dobozban vagy becsomagolva kell a készülékbe tenni. • Ellenőrizze, nem romlott-e meg valami a készülékben. • Ki kell takarítani a készülék belsejét. • Lásd a készülék tisztítása részt.
<p>Páraképződés figyelhető meg a készülék felületén</p>	<ul style="list-style-type: none"> • Ez a jelenség nedves környezetben figyelhető meg. Az érintett felületet száraz törlőruhával kell áttörölni.
<p>A belső világítás nem működik</p>	<ul style="list-style-type: none"> • Nincs áram a hálózati dugaljban. • Az izzót ki kell cserélni. Lásd az Izzócsere részt.

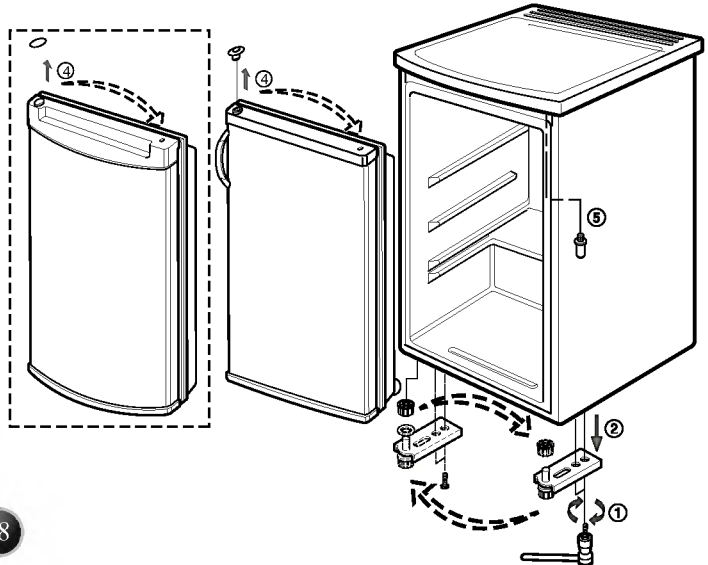
Az ajtó nyitási irányának megváltoztatása

A készülék változtatható nyitási irányú ajtókkal készült, így azok jobbra vagy balra nyithatók. A legegyszerűbb megoldás rögtön az első üzembe helyezéskor szükség szerint átszerelni a zsanérokat, mert később több kényelmetlenséget okoz egy ilyen művelet.

Óvintézkedés

1. Először húzza ki a hálózati csatlakozódugót.
2. Vegye ki az élelmiszereket, továbbá az olyan tartozékokat, polcokat és tálcákat, amelyek nincsenek a készülékhez rögzítve.
3. Óvatosan fektesse a készüléket egy puha felületre, pl. a csomagolóanyag, így a hűtőkör nem sérülhet meg.
4. A csavarok kilazításához és meghúzásához használjon csillagcsavarhúzót vagy fogót.

1. Csavarja ki a 2 X csavart ①, és vegye le a zsanért. ②
2. Távolítsa el a lábat ③.
3. Enyhén húzza lefelé az ajtót, és vegye le a készülékről.
4. Az ajtó visszaszerelése előtt húzza ki a sanérfedősapkát az eredeti helyéről és helyezze át az ajtó másik oldalára. ④ A művelet során ügyeljen arra, hogy a környező felületeket ne sértse fel.
5. Csavarja ki a felső zsanér rögzítőcsapját (U) ⑤ és csavarja be az ellenkező oldalon lévő lyukba.



Az ajtó nyitási irányának megváltoztatása

6. Az ajtó újarögzítése után rögzítse az alsó zsanért (L) az ellenkező oldalon a két csavar segítségével.

7. Rögzítse a lábat.

8. Óvatosan állítsa fel a készüléket.

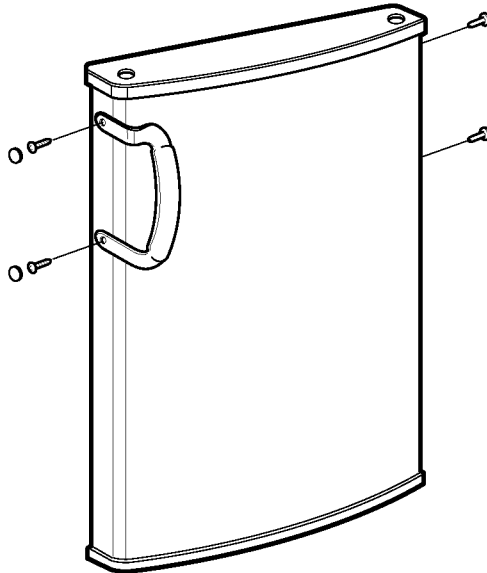
Állítsa be a szintbeállítócsavart, és győződjön meg arról, hogy a készülék stabilan áll, valamint hogy az ajtók megfelelően nyílnak és záródnak.

FIGYELEM

A mindkét irányban nyitható ajtók esetében előfordulhat, hogy az erőteljesen becsukott ajtó újra kinyílik a reakcióerő miatt.

Kérjük, győződjön meg arról, hogy az ajtó megfelelően csukódik-e.

Ajtófogantyú (opcionális)





Chladnička-spižárna

Příručka uživatele

Prosím, přečtete si pečlivě tuto příručku uživatele před uvedením přístroje do provozu a mějte ji po ruce pro pozdější nahlížení.



Obsah

Úvod	Důležité bezpečnostní instrukce	4
	Likvidace starého zařízení & balení nového zařízení	6
	Identifikace dílů	7
Instalace	Umístění	8
	Instalace s / bez horní desky	9
	Připojení napájení	9
Provoz	Spuštění	10
	Ovládání teploty	10
	Vypnutí	10
Připomínka k uložení potravin	Ukládání potravin	11
Péče a údržba	Odmrazování	12
	Čištění	13
	Všeobecné informace	14
	Výměna žárovky	14
	Tipy pro šetření energií	15
Vyhledání závad	Vyhledání závad	16
Obrácení dveří Jak obrátit dveře	Jak Obrácení dveří Jak obrátit dveře	18
	Madlo dveří (volitelné)	19

Důležité bezpečnostní instrukce

Přístupnost napájecí zásuvky

Napájecí zásuvka chladničky-mrazničky by měla být umístěna na snadno přístupném místě pro rychlé rozpojení v případě nouze.

Výměna napájecího kabelu

Když je napájecí kabel poškozen, musí jej vyměnit výrobce nebo jeho servisní zástupce nebo podobně kvalifikovaná osoba, abyste se vyhnuli nebezpečí.

Preventivní opatření

Chladnička – mraznička musí být před používáním řádně instalovaná a umístěná v souladu s instrukcemi pro instalaci.

NIKDY nevyvíjejte chladničku-mrazničku taháním za napájecí kabel. Vždy uchopte pevně vidlici a vytáhněte ji rovně ze zásuvky.

Když přesouváte chladničku od zdi, dejte pozor, abyste nepřejeli ani nepoškodili napájecí kabel.

Před čištěním chladničky-mrazničky vytáhněte přívodní šňůru ze zásuvky.

Nikdy nepoškozujte, víckrát neohýbejte, netahejte ani nezkrucujte přívodní šňůru, protože poškozená přívodní šňůra může způsobit požár nebo úraz elektrickým proudem.

Nepoužívejte prodlužovací kabel

Pokud možno připojte chladničku-mrazničku do její vlastní elektrické zásuvky, aby chladnička a ostatní spotřebiče nebo osvětlení domácnosti nezpůsobily přetížení.

⚠ Nebezpečí

Riziko zachycení dětí.
Dříve než odložíte starou chladničku nebo mrazničku:
Odstraňte dveře.
Nechte police na místě, aby děti nemohly snadno vyšplhat dovnitř.

Uzemnění

V případě elektrického zkratu snižuje uzemnění riziko úrazu elektrickým proudem tím, že zajišťuje svodový vodič pro elektrický proud. Aby se zabránilo možnému úrazu elektrickým proudem, toto zařízení musí být uzemněné. Nesprávné použití zemnicího kolíku může vést k úrazu elektrickým proudem.

Jestliže plně nerozumíte instrukcím o uzemnění, nebo máte-li pochybnosti o tom, zda je zařízení správně uzemněno, poraďte se s kvalifikovaným elektrikářem nebo se servisním technikem.

⚠ Varování

- ⚠ Ventilační otvory v krytu zařízení nebo v zástavbové konstrukci udržujte průchodné bez překážek.
- ⚠ Nepoužívejte mechanická zařízení nebo jiné prostředky k urychlení procesu odmrazování jiné než jsou doporučena výrobcem.
- ⚠ Nepoškožujte chladicí okruh.
- ⚠ Nepoužívejte elektrická zařízení uvnitř oddělení pro uložení potravin v zařízení, pokud nejsou typu doporučeného výrobcem.
- ⚠ Chladicí médium a izolační plyn použitý ve spotřebiči vyžaduje speciální postupy pro likvidaci. Při likvidaci se poraďte se servisním zástupcem nebo s podobně kvalifikovanou osobou.

Likvidace starého zařízení & balení nového zařízení

Likvidace starého zařízení

Staré zařízení, jehož životnost skončila, by mělo být zničeno, aby bylo možné je bezpečně zlikvidovat.

Vyjměte síťové zástrčky, oddělte připojovací kabely a demontujte nebo zničte všechny pružiny, západky a šroubová spojení, abyste zabránili uvěznění dětí v odloženém přístroji.

Z důvodu ochrany životního prostředí by staré ledničky měly být likvidovány odbornou firmou.

S případnými otázkami se obraťte na místního prodejce nebo místní úřady.

Likvidace obalu nového zařízení

Všechny obalové materiály použité pro toto zařízení jsou pro životní prostředí neškodné.

Obal obsahuje následující materiály:

PE: Polyetylén – fólie nebo vak, v němž je přístroj .

PS: Tvarované objekty vyrobené z pěnového polystyrenu neobsahujícího CFC.

PP: Spojovací páska vyrobená z polypropylenu.

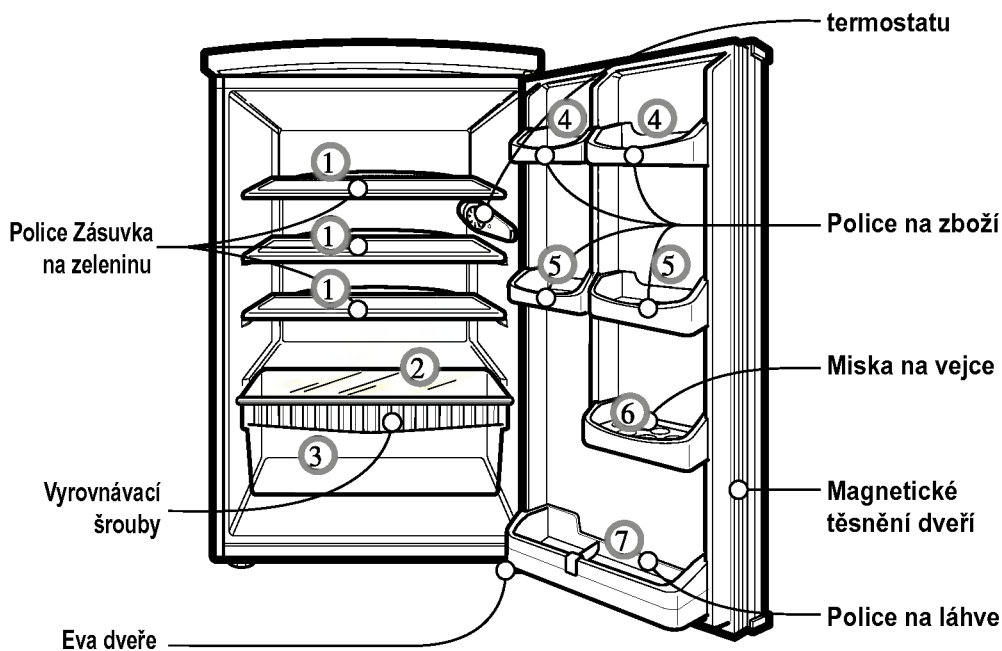
Nabídka vrácení

Toto zařízení obsahuje kapaliny (chladivo, mazadlo) a je vyrobeno ze součástí a materiálů, které jsou znovu použitelné a/nebo recyklovatelné.

Všechny důležité materiály by měly být odeslány do sběrného centra odpadu a mohou být po zpracování znovu použity (recyklovány).

Ohledně vrácení materiálu se obraťte na vaši místní agenturu.

Identifikace dílů



POZNÁMKA

Toto je základní model. Tvar chladničky se může měnit.

Umístění

Doporučujeme instalaci chladničky na suché a dobře větrané místo. Ujistěte se, že zařízení nebude vystaveno přímému slunečnímu světlu ani umístěno v blízkosti zdrojů tepla jako jsou kamna, ohřívač nebo radiátor. Pokud to není možné, použijte příslušnou izolační desku (nikoli azbestovou) nebo alespoň zachovejte následující minimální vzdálenost.

Od plynového nebo elektrického vaříče: 3 cm

Od naftu nebo uhlí spalujících kamen: 30 cm

Od jiného chladicího zařízení: 2 cm

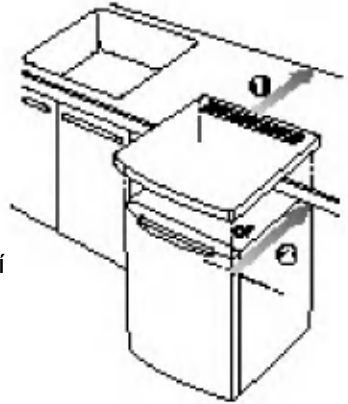
POZNÁMKA

Umístěte na plochem a pevném povrchu. Pokud podlaha není vyrovnaná, seřídte nožky přístroje pomocí seřizovacího šroubu na přední hraně skříně. Přední by měly být trochu vyšší než zadní, aby se dveře snadněji zavíraly.

Instalace s / bez horní desky

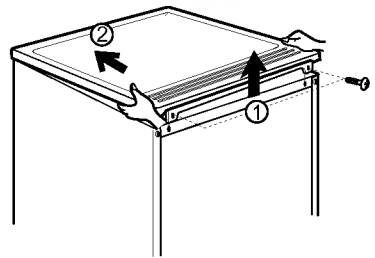
Zkontrolujte, že teplý vzduch ohřívající se od zadní stěny zařízení může cirkulovat bez překážek. Pokud ne, mohlo by to způsobit vzrůst příkonu chladicí jednotky a to povede k vyšší spotřebě energie. Proto se ujistěte, že mřížka ventilátoru není nikdy zakrytá nebo blokována.

1. když instalujete s horní deskou (volně stojící), zatlačte chladničku tak daleko, až se otvor pro cirkulaci vzduchu téměř dotýká stěny.
2. když instalujete bez horní desky, vyrovnejte čelní plochu dveří s čelní stěnou kuchyňského nábytku.



Jak sejmout horní desku

1. Odšroubujte 2 šrouby vzadu na horní desce.
2. Podržte zadní část horní desky a zatlačte dopředu při současném lehkém zvednutí desky.



Připojení napájení

Toto zařízení by mělo být připojeno ke střídavému napětí 220~240 V, 50 Hz. Toto zařízení smí být připojeno pouze k uzemněné zásuvce odpovídající příslušným předpisům. Jeho instalaci by měl provádět pouze pověřený odborník.

Spuštění

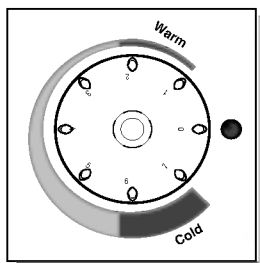
Před spuštěním nechte zařízení stát nejméně dvě hodiny bez provozu, aby se stabilizoval oběh chladiva a nedošlo k problémům při provozu.

Otočte kotouč ovládání teploty z polohy „0“. Začne chladicí proces a žárovka uvnitř se při otevření dveří rozsvítí.

Ovládání teploty

Doporučujeme nastavit kotouč normálně na „4“.

Příliš teplo: Otočením ovládacího kotouče teploty ve směru hodinových ručiček se nastaví na nižší teplotu (nastavení na vyšší číslíci).



Příliš chladno: Otočením kotouče ovládání teploty proti směru hodinových ručiček se nastaví na vyšší teplotu (nastavení na nižší číslíci).

Nastavení teploty závisí na teplotě okolí, množství potravin, jak často se otvírají dveře. Nastavení teploty by se tak mohlo kontrolovat použitím vhodného teploměru podle instrukcí na něm uvedených.

Vypnutí

Otočte kotouč ovládání teploty proti směru hodinových ručiček do polohy „0“. Proces chlazení se zastaví a žárovka uvnitř chladničky zhasne.

Skladování potravin

Pokud budete často otevírat dveře nebo je necháte dlouho otevřené, bude se zvyšovat vnitřní teplota. To snižuje trvanlivost a kvalitu uskladněných potravin a zvyšuje spotřebu energie.

Urovnání potravin

- Potraviny vydávající pachy uložte v uzavřených nádobách a obalech.
- Jako balicí materiál na potraviny použijte alobal, plastovou fólii a kovové nebo skleněné nádoby.
- Teplé potraviny ponechte dostatečně vychladnout před vložením dovnitř do zařízení.
- Alkoholické nápoje s vysokým procentem alkoholu ponechte ve vzduchotěsných láhvích a ve svislé poloze.
- Neukládejte potraviny (meloun, banán, ananas atd.), které se při nízké teplotě snadno zkazí.

< Viz obr. na str. 7 >

- ① Chléb, polotovary.
- ② Maso, uzeniny, krájené výrobky.
- ③ Zelenina, ovoce, saláty.
- ④ Máslo, sýr.
- ⑤ Malé sklenice nebo láhve, plechovky, koření.
- ⑥ Vejce.
- ⑦ Velké láhve na nápoje.

Ujistěte se, že se dveře správně zavírají.

Odmrazování

Rozmrazování chladničky

Když je chladnička v činnosti, na zadní stěně mrazicího oddělení se tvoří námraza a automaticky taje, když se kompresor zastaví. Roztátá voda se shromažďuje ve vypustném žlábků a vypařuje se teplem kompresoru.

POZNÁMKA

Nikdy nerozmrazujte chladničku pomocí elektrických zařízení. Zachovejte opatrnost při rozmrazování pomocí rozmrazovacích sprejů. Tyto spreje obsahují výbušné plyny nebo látky škodlivé pro lidské zdraví.

⚠ Varování

Čištění

Před čištěním vždy přístroj vypněte nebo odpojte zástrčku.

Nepoužívejte ostré předměty (jako nůž nebo šroubovák), které by mohly narušit chladicí obvod, což by vedlo k ohrožení životního prostředí i vašeho zdraví.

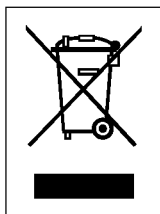
Nikdy nepoužívejte napařovačku nebo parní čističku, protože horká pára může poškodit povrch chladničky a elektrická zařízení. Nikdy nepoužívejte písek, abrazivní saponáty, kyseliny nebo chemická rozpouštědla.

- Je třeba dbát na to, aby se čisticí voda nedostala do vnitřku obalu termostatu nebo osvětlení.
- Chladničku včetně vnitřních zařízení čistěte hadrem nebo vlažnou vodou. Můžete použít saponát na nádobí.

Pravidelně čistěte výměník tepla na zadní straně chladničky pomocí jemného kartáče, abyste odstranili nános prachu. Nenarušujte odvod tepla zevnitř chladničky. Způsobilo by to zvýšenou spotřebu energie.

Jakémukoliv poškození tepelného výměníku nebo jiným událostem vedoucím k úniku chladiva do prostředí musí být zabráněno kvůli možnému ohrožení zdraví a životního prostředí.

Likvidace starých spotřebičů



1. Pokud je u výrobku uveden symbol pojízdného kontejneru v přeškrtnutém poli, znamená to, že na výrobek se vztahuje směrnice Evropské unie číslo 2002/96/EC.
2. Všechny elektrické a elektronické výrobky by měly být likvidovány odděleně od běžného komunálního odpadu prostřednictvím sběrných zařízení zřízených za tímto účelem vládou nebo místní samosprávou.
3. Správný způsob likvidace starého elektrického spotřebiče pomáhá zamezit možným negativním dopadům na životní prostředí a zdraví.
4. Bližší informace o likvidaci starého spotřebiče získáte u místní samosprávy, ve sběrném zařízení nebo v obchodě, ve kterém jste výrobek zakoupili.

Všeobecné informace

Nepřítomnost

Když plánujete odjet na delší čas, vyjměte všechny potraviny, odpojte přívodní šňůru, pečlivě očistěte vnitřek a nechte dveře otevřené, aby se zabránilo vzniku pachu.

Výpadek proudu

Většina výpadků proudu je opravena během 1-2 hodin a nebude mít vliv na teploty v chladničce. Nicméně byste měli po dobu vypnutí proudu minimalizovat počet otevření dveří.

Když se stěhujete

Vyjměte všechno vybavení uvnitř ledničky nebo pevně upevněte všechny volné předměty.

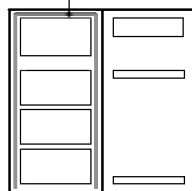
141. Aby se zabránilo poškození vyrovnávacích šroubů, zašroubujte je úplně do základny.

Trubka proti kondenzaci

- Protikondenzační trubka je instalovaná okolo čelní strany chladničky-mrazničky, aby se zabránilo rosení.

- Speciálně po instalaci nebo když je vysoká okolní teplota, se může zdát být chladnička-mraznička horká, ale to je docela normální.

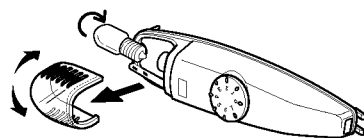
Trubka proti kondenzaci



Výměna žárovky

Vytáhněte napájecí kabel ze zásuvky.

1. Vyjměte odkapávací misku a police ven, abyste měli snazší přístup.
2. Přidržte kryt svítidla, jemně jej vytáhněte ze schránky termostatu otáčením nahoru a dolů.
3. Otáčejte žárovkou proti směru hodinových ručiček a vyjměte ji.
4. Montáž je v opačném pořadí než demontáž. Vyměněná žárovka musí být stejného typu jako původní.



Tipy pro šetření energií

- Po přemístění zařízení vyčkejte 2 hodiny před opětovným uvedením do provozu.
- Neumísťujte zařízení poblíž radiátoru, kamen a zdrojů tepla. Při vyšší okolní teplotě poběží kompresor déle.
- Umístěte zařízení do chladné a dobře větrané místnosti. Nevystavujte zařízení přímému slunečnímu světlu.
- Nenechávejte dveře otevřené příliš dlouho.
- Neumísťujte do zařízení teplé potraviny a nápoje. Teplé potraviny a nápoje nechte před uložením do chladničky zchladnout, jinak budou zvyšovat zalednění výparníku; doba zchlazování by měla být z hygienických a zdravotních důvodů co nejkratší.
- Nenastavujte teplotu zařízení níže, než je potřeba.
- Pokud magnetické těsnění dveří nefunguje správně, vyměňte je.

Před voláním servisu zkontrolujte tento seznam. Může vám to ušetřit čas i náklady. Tento seznam obsahuje časté případy, které nejsou důsledkem vadné práce nebo materiálů v tomto zařízení.

Problém	Možné příčiny
Chladnička- mraznička nepracuje	<ul style="list-style-type: none">• Může být vytažená přívodní šňůra z elektrické zásuvky. Bezpečně ji zasuňte.• Domácí pojistka je spálená nebo je vypnutý jistič. Zkontrolujte a nebo vyměňte pojistku a nastavte jistič.• Výpadek proudu. Zkontrolujte domovní osvětlení.
Vibrace nebo otřásání nebo abnormální hluk	<ul style="list-style-type: none">• Podlaha, na které je chladnička-mraznička instalovaná, může být nerovná nebo může být nestabilní chladnička-mraznička. Vyrovnejte ji otáčením vyrovnávacích šroubů.• Zbytečné předměty umístěné na zadní straně chladničky-mrazničky.
Teplota potravin v ledničce není dost nízká	<ul style="list-style-type: none">• Příliš časté nebo příliš dlouhé otevírání dveří. Blízko chladničky-spižírny je zdroj tepla. Do chladničky bylo vloženo velké množství potravin.
Vnitřní světlo nesvítí	<ul style="list-style-type: none">• Ovládání teploty je nastaveno na „0“. Je vadná žárovka. Řiďte se podle odstavce „Výměna žárovky“.
Teplota v chladničce je příliš nízká	<ul style="list-style-type: none">• Ovladač teploty je nastaven na extrémně nízkou hodnotu.

Problém	Možné příčiny
<p>V ledničce je pach</p>	<ul style="list-style-type: none"> • Potraviny se silným pachem by měly být těsně zakryté nebo zabalené. • Zkontrolujte zkažené potraviny. • Vnitřek potřebuje vyčistit. • Viz část Čištění.
<p>Na povrchu skříně se tvoří vlhkost</p>	<ul style="list-style-type: none"> • Tento jev se obvykle vyskytuje ve vlhkých prostorách. <p>Otřete jej suchou utěrkou.</p>
<p>Vnitřní světlo nefunguje</p>	<ul style="list-style-type: none"> • Přerušená dodávka do zásuvky. • Žárovka potřebuje vyměnit. <p>Viz oddíl Výměna žárovky.</p>

Jak obrátit dveře

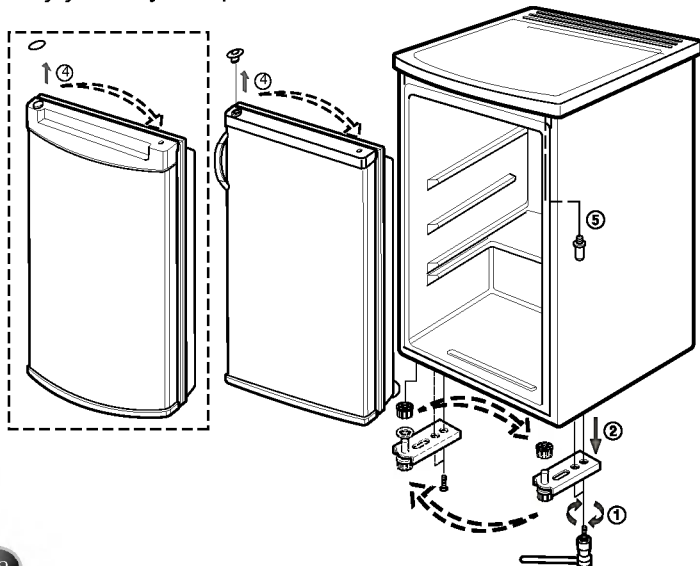
Chladnička je navržena s oboustrannými dveřmi, takže je můžete otvírat zleva nebo zprava. Nejlepší je přemístit dveřní závěsy hned na začátku, protože je nevhodné to provádět později.

Pro výměnu dveřních závěsů se prosím řiďte níže uvedeným obrázkem a postupujte následovně.

Opatření

1. Nejdříve zařízení odpojte .
2. Vyjměte potraviny a příslušenství jako poličky nebo mřížky, které nejsou připevněné k tělu chladničky.
3. Opatrně položte zařízení na podložku např. z obalového materiálu, abyste předešli poškození chladicího okruhu.
4. Použijte křížový šroubovák nebo maticový klíč pro upevnění nebo uvolnění šroubů.

1. Vyšroubujte 2 šrouby ① ,potom vyjměte závěs (L) ②.
2. Vyjměte patku ③.
3. Jemně stáhněte dveře dolů a vyjměte je.
4. Před zpětným upevněním dveří přehodte víko závěsu ④ jeho vytažením ze stávajícího umístění a přemístěním na druhou stranu dveří. Je třeba dávat pozor, aby se při vyjímání víka závěsu nepoškodily přilehlé povrchy.
5. Vyšroubujte kolík horního závěsu (U) ⑤ a zašroubujte jej do díry na opačné straně.



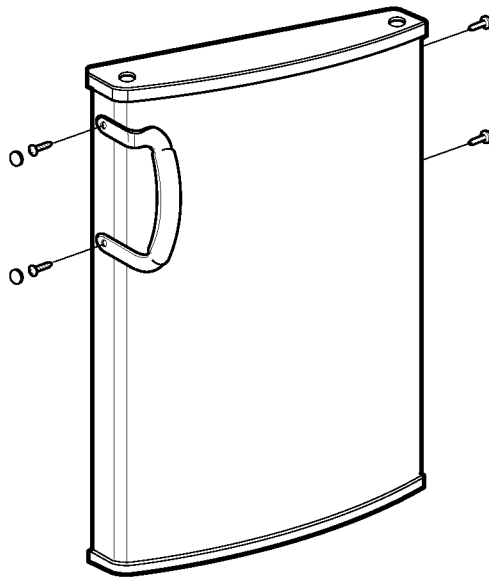
Jak obrátit dveře

- Po novém osazení dveří připevněte dolní závěs (L) na opačnou stranu pomocí dvou šroubů.
- Připevněte nohu.
- Opatrně postavte zařízení do svislé polohy.

POZNÁMKA

V případě použití oboustranných dveří, když zavřete dveře velkou silou, mohlo by se stát, že se dveře nezavřou v důsledku reakční síly. Přesvědčte se, prosím, že se dveře správně zavírají.

Madlo dveří (volitelné)





KOMOROVÁ CHLADNIČKA

Rady pre používateľa

Pred použitím tohto zariadenia si pozorne prečítajte tento návod a uschovajte si ho kvôli neskoršiemu použitiu.



Obsah

Úvod	Dôležité bezpečnostné predpisy 4
	Odstránenie starého spotrebiča & balenie nového spotrebiča 6
	Názvy častí 7
Inštalácia	Umiestnenie 8
	Inštalácia s vrchnou doskou / bez vrchnej dosky 9
	Elektrická prípojka 9
Obsluha	Spustenie 10
	Regulácia teploty 10
	Vypínanie 10
Pokyny na uskladnenie potravín	Uskladnenie potravín 11
Starostlivosť a čistenie	Rozmrazovanie 12
	Čistenie 13
	Všeobecné informácie 14
	Výmena žiarovky 14
	Tipy pre úsporu energie 15
Riešenie problémov	Riešenie problémov 16
Obrátenie dverí	Ako obrátiť dvere 18
	Rúčka dverí (Voľby) 19

Dôležité bezpečnostné predpisy

Dostupnosť prívodnej zástrčky

Prívodná zástrčka chladničky s mrazničkou by mala byť umiestnená na ľahko dostupnom mieste, kvôli rýchlemu odpojeniu v prípade núdzového stavu.

Výmena prívodného kábla

Pokiaľ je napájací kábel poškodený, musí byť vymenený výrobcom, alebo jeho servisným agentom, alebo podobne kvalifikovanou osobou, aby ste sa vyhli nebezpečenstvu.

Bezpečnostné opatrenia

Pred použitím musíte túto chladničku s mrazničkou správne nainštalovať a umiestniť v súlade s Návodom na inštaláciu.

Chladničku s mrazničkou nikdy nevypínajte tak, že budete ťahať za napájací kábel. Zástrčku pevne chyťte a rovno vytiahnite z elektrickej zásuvky.

Ak zariadenie prenášate ďalej od steny, dávajte pozor, aby ste ho neprevrátili, alebo aby ste nepoškodili napájací kábel.

Pred čistením chladničky s mrazničkou vytiahnite zástrčku zo zásuvky.

Napájací kábel nikdy nepoškodzujte, viackrát nezohýňajte, nevyťahujte, ani neprekrúcajte. Poškodenie kábla môže spôsobiť požiar, alebo zasiahnutie elektrickým prúdom.

Nepoužívajte predĺžovací kábel

Ak je to možné, pripojte chladničku s mrazničkou k vlastnému elektrickému výstupu, aby ste zabránili preťaženiu tohto a ostatných zariadení.

Dôležité bezpečnostné predpisy

⚠ Nebezpečenstvo

Nebezpečenstvo zachytenia detí .

Predtým ako vyhodíte starú chladničku alebo mrazničku:
Odstráňte dvere.

Poličky nechajte na mieste, aby sa deti nemohli dostať dovnútra.

Uzemnenie

V prípade skratu znižuje uzemnenie nebezpečenstvo poranenia elektrickým prúdom, pretože elektrickému prúdu poskytne únikový vodič. Aby ste zabránili možnému poraneniu elektrickým prúdom, musí byť toto zariadenie uzemnené. Nesprávne použitie uzemňovacieho vodiča môže znamenať nebezpečenstvo zasiahnutia elektrickým prúdom.

Ak máte pochybnosti o dôkladnosti uzemnenia zariadenia, alebo ak úplne nerozumiete návodu na uzemnenie, kontaktujte kvalifikovaného elektrikára alebo servisného pracovníka.

⚠ Upozornenie

⚠ Ventilačné otvory na plášti zariadenia alebo v zabudovanej konštrukcii udržiavajte tak, aby neboli blokované.

⚠ Na urýchlenie procesu rozmrazovania nepoužívajte mechanické zariadenia ani iné prostriedky ako tie, ktoré sú odporúčané výrobcom.

⚠ Nepoškodte chladiaci obvod.

⚠ Vo vnútri oddelenia na uskladnenie potravín nepoužívajte elektrické zariadenia iného typu, než sú odporúčané výrobcom.

⚠ Vháňaný chladiaci a izolačný plyn použitý v zariadení vyžaduje špeciálny postup pri likvidácii. Likvidáciu konzultujte so servisným pracovníkom alebo s podobnou kvalifikovanou osobou.

Odstránenie starého spotrebiča & balenie nového spotrebiča

Odstránenie starého spotrebiča

Starý spotrebič, ktorého životnosť vypršala, by mal byť zničený tak, aby bola v prvom rade zaistená bezpečnosť. Vytiahnite zástrčky, odpojte spojovacie drôty a odstráňte a zničte všetky pružiny, západky a skrutky, aby ste zabránili uviaznutiu detí pri hraní.

Kvôli ochrane životného prostredia by mali byť všetky staré chladničky odstránené odbornou likvidačnou službou. Ak máte nejaké otázky, konzultujte ich prosím s miestnou predajnou firmou alebo s miestnymi orgánmi.

Odstránenie balenia nového spotrebiča

Všetky baliace materiály použité pre tento spotrebič sú neškodné pre životné prostredie.

Podrobnosti týkajúce sa materiálu:

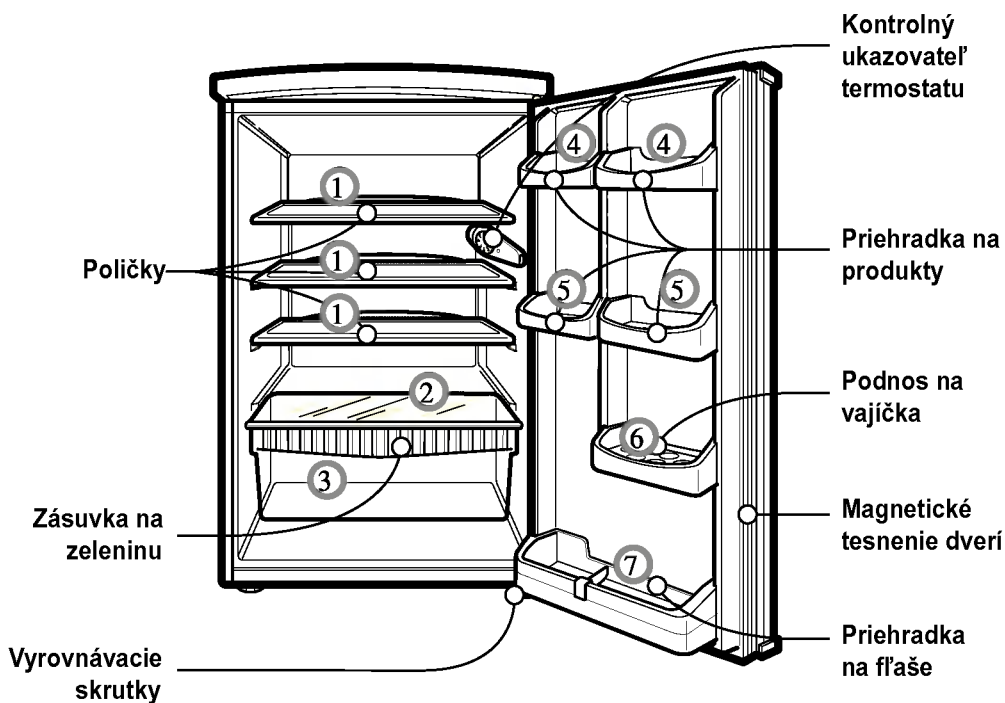
- PE:** Polyetylén – Fólia alebo vak na balenie.
- PS:** Tvarované predmety vyrobené z penového CFC-FREE polystyrénu.
- PP:** Sťahovacia páska vyrobená z polypropylénu.

Ponuka na vrátenie

Tento spotrebič obsahuje kvapaliny (chladivo, mazivo) a je vyrobený z materiálov, ktoré je možné opakovane použiť a/alebo recyklovať.

Všetky dôležité materiály by mali byť zaslané do zberného miesta pre odpadové materiály, kde môžu byť opakovane použité po recyklácii. Pre vrátenie prosím kontaktujte miestnu službu.

Názvy častí



UPOZORNENIE

Toto je základný model. Tvar chladničky je predmetom zmeny.

Umiestnenie

Odporúčame, aby bola chladnička umiestnená na suchou a dobre vetranom mieste. Uistite sa, či spotrebič nie je vystavený priamemu slnečnému žiareniu, alebo či nie je umiestnený v blízkosti zdroja tepla ako sú kachle, ohrievače a radiátory. Ak to nie je možné, použite vhodnú dosku (nie azbestovú), alebo dodržte nasledovné minimálne bezpečnostné vzdialenosti.

od plynového alebo elektrického variča: 3cm

od kachiel na uhlie : 30cm

od iných chladiacich spotrebičov: 2cm

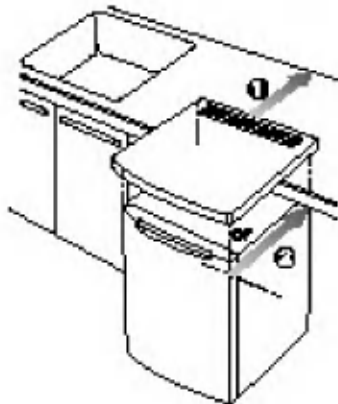
UPOZORNENIE

Umiestnite ju na rovnú a pevnú podlahu. Ak podlaha nie je rovná, nastavte nožičky použitím nastavovacej skrutky na prednej hrane krytu. Ak je predná časť mierne vyššie ako zadná, dvere sa môžu zatvárať ľahšie.

Inštalácia s vrchnou doskou / bez vrchnej dosky

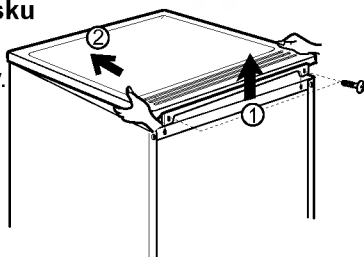
Skontrolujte, či horúci vzduch zo zadnej strany zariadenia cirkuluje bez prekážok. Ak nie, môže sa stať, že výkon chladničky sa zvýši a výsledkom bude vyššia spotreba elektrickej energie. Preto si overte, či ventilačná mriežka nie je zakrytá ani blokováná.

1. Pri inštalácii s vrchnou doskou (samostatná) tlačte chladničku, až kým sa otvor vrchnej dosky na cirkuláciu vzduchu takmer nedotýka steny.
2. Pri inštalácii bez vrchnej dosky zrovnajte predný kraj s predným okrajom kuchynského nábytku.



Ako odstrániť vrchnú dosku

1. Odskrutkujte 2 skrutky na zadnej strane vrchnej dosky.
2. Uchopte zadnú stranu vrchnej dosky a jemným nadvihnutím ju posuňte dopredu.



Elektrická prípojka

Tento spotrebič by mal byť pripojený k zdroju AC 220~240V, 50 Hz. Tento spotrebič môžete pripojiť iba do zásuvky s uzemnením, v súlade s príslušnými nariadeniami a inštalovať spotrebič by mal iba poverený odborník.

Rúčka dverí

Ak si želáte namontovať rúčku dverí, obráťte sa na obrázok priložený v obale výrobku.

Spustenie

Pred zapnutím, nechajte spotrebič stáť aspoň 2 hodiny, aby sa cirkulácia chladiva ustálila a tak sa predišlo prevádzkovým problémom.

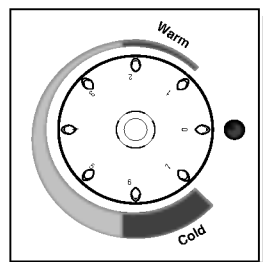
Kontrolný ukazovateľ teploty otočte z polohy „0“. Spustí sa proces chladenia a žiarovka vo vnútri chladničky sa rozsvieti, keď sú otvorené dvere.

Regulácia teploty

Na normálny výkon vám odporúčame nastaviť regulátor na „4“.

Príliš teplo: Otočením regulátora teploty v smere hodinových ručičiek nastavíte chladnejšie nastavenie (vyššie číselné nastavenie).

Príliš chladno: Otočením regulátora teploty proti smeru hodinových ručičiek nastavíte teplejšie nastavenie (nižšie číselné nastavenie).



Nastavenie teploty závisí od okolitej teploty, množstva potravín a od toho, ako často otvárate dvere.

Nastavenie teploty by ste mali skontrolovať pomocou vhodného teplomera a postupovať podľa informácií na ňom.

Vypínanie

Regulátor teploty otáčajte proti smeru hodinových ručičiek, až kým nenastavíte „0“. Proces chladenia sa zastaví a žiarovka vo vnútri chladničky sa vypne.

Uskladnenie potravín

Časté otváranie dverí alebo ponechávanie otvorených dverí na dlhý čas zvyšuje teplotu vnútri. Toto zapríčiňuje zníženie životnosti a chute potravín a zvyšuje spotrebu energie

Usporiadanie potravín

- Potravinové výrobky s arómou skladujte v uzatvorených kontajneroch a zabalené.
- Ako baliaci materiál na potraviny použite alobal, plastovú fóliu, kovové alebo sklenené nádoby.
- Teplé potraviny nechajte pred vložením do chladničky dostatočne vychladnúť.
- Alkoholické nápoje skladujte v pevných, vzduchotesných fľašiach a v kolmej polohe.
- Plodiny, ktoré sa ľahko pokazia (melón, banány, ananás, atď.), neskladujte pri nízkych teplotách.

<Obráťte sa na obrázok na strane 7>

- ① Chlieb, hotové jedlá.
- ② Mäso, klobásy, nakrájané výrobky.
- ③ Zelenina, ovocie, šalátové výrobky.
- ④ Maslo, syr.
- ⑤ Malé poháre alebo fľaše, plechovky, koreniny.
- ⑥ Vajíčka.
- ⑦ Veľké fľaše s nápojmi.

Ubezpečte sa, že dvere sú správne zatvorené.

Rozmrazovanie

Rozmrazovanie chladničky

Keď chladnička pracuje, na zadnej stene oddelenia chladničky sa vytvára námraza, ktorá sa automaticky roztopí, keď sa zastaví kompresor.

Rozpustená voda sa zhromažďuje vo vypúšťacej nádrži a vďaka teplu z kompresora sa vyparuje.

UPOZORNENIE

Nikdy nekladajte elektrické zariadenia do chladničky , aby ste ju rozmrazili. Buďte opatrní pri používaní rozmrazovacích sprejov ako pomoci pri rozmrazovaní. Tieto spreje zahŕňajú látky obsahujúce výbušný plyn, alebo sú nebezpečné pre syntézu alebo ľudské zdravie.

⚠ Varovanie

Čistenie

Vždy vyťahnite zo zásuvky alebo vypnite zdroj napätia pred čistením.

Nepoužívajte ostré predmety (ako sú nože, skrutkovače), ktoré by mohli prerušiť okruh chladiva, čo by malo za následok poškodenie životného prostredia alebo zdravia.

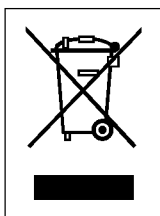
Nikdy nepoužívajte parný čistič alebo čistič s tlakom pary, pretože horúca para by mohla poškodiť povrch chladničky a elektrické zariadenia. Nikdy nepoužívajte piesok, drsný prípravok, kyselinové alebo chemické rozpúšťadlo.

- Musíte dávať pozor, či sa voda nedostala dovnútra termostatu alebo žiarovky.
- Chladničku vrátane vnútorných zariadení čistite kúskom látky alebo vlažnou vodou. Môžete použiť bežný prostriedok na umývanie riadu.

Pravidelne čistite výmenník tepla na zadnej strane chladničky použitím jemného štetca, z dôvodu usádzania prachu a nečistôt. Nenarušujte priestor zvnútra, pretože môžete zapríčiniť zvýšenie spotreby energie.

Mali by ste sa vyhnúť akémukoľvek poškodeniu na výmenníku tepla alebo inej udalosti vedúcej k úniku chladiva do okolia, pretože hrozí potenciálne nebezpečenstvo pre životné prostredie a zdravie ľudí.

Likvidácia vášho starého prístroja



1. Keď sa na produkte nachádza tento symbol prečiarknutej smetnej nádoby s kolieskami, znamená to, že daný produkt vyhovuje európskej Smernici č. 2002/96/EC.
2. Všetky elektrické a elektronické produkty by mali byť zlikvidované oddelene od komunálneho odpadu prostredníctvom na to určených zberných zariadení, ktoré boli ustanovené vládou alebo orgánmi miestnej správy.
3. Správnou likvidáciou starých zariadení pomôžete predchádzať potenciálnym negatívnym následkom pre prostredie a ľudské zdravie.
4. Podrobnejšie informácie o likvidácii starých zariadení nájdete na miestnom úrade, v službe na likvidáciu odpadu alebo u predajcu, kde ste tento produkt zakúpili.

Všeobecné informácie

Cesta preč

Ak plánujete odísť na dlhší čas, vyberte všetky potraviny, odpojte napájací kábel, dôkladne umyte vnútrajšok a nechajte otvorené dvere, aby ste predišli vzniku arómy.

Výpadok prúdu

Väčšina výpadkov prúdu je opravená do hodiny, dvoch a nemajú vplyv na teplotu vašej chladničky. V každom prípade však počas vypnutého prúdu obmedzte otváranie dverí na minimum.

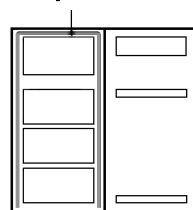
Ak sa sťahujete

Z chladničky vyberte všetky časti, alebo všetky pohyblivé časti pevne pripevnite. Aby ste nezničili vyrovnávacie skrutky, pritiahnite ich celé k základni.

Trubica proti zrážaniu

- Trubica proti zrážaniu je namontovaná okolo prednej strany chladničky, aby zabraňovala roseniu.
- Obzvlášť po montáži, alebo ak je okolitá teplota vysoká, sa vám môže chladnička s mrazničkou zdať studená, Je to normálne.

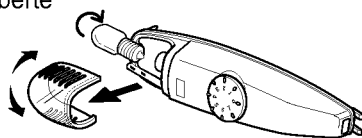
Trubica proti zrážaniu



Výmena žiarovky

Napájací kábel odpojte od elektrickej zásuvky.

1. Kvôli ľahšiemu prístupu vyberte a poličky.
2. Chyťte KRYT ŽIAROVKY. Otáčajte ho hore a dolu a jemne ho vyberte z krytu termostatu.
3. Žiarovku otáčajte proti smeru hodinových ručičiek a vyberte ju.
4. Pre pripevňovanie postupujte rovnakým spôsobom, ale v opačnom poradí. Vymieňaná žiarovka musí mať také isté technické údaje ako originálna.



Tipy pre úsporu energie

- Po presťahovaní spotrebiča ho nechajte 2 hodiny stáť pred opätovným zapnutím.
- Spotrebič neumiestňujte v blízkosti radiátora, kachiel a zdrojov tepla. Ak je teplota okolia vysoká, kompresor bude bežať dlhšie.
- Umiestnite spotrebič na chladné a dobre vetrané miesto. Nevystavujte priamemu slnečnému žiareniu.
- Nenechávajte dvere otvorené príliš dlho.
- Nevkladajte teplé potraviny a nápoje do spotrebiča. Najprv ich ochladte, inak by para z horúcich potravín mohla prispieť k vytváraniu ľadu na výparníku; a doba chladenia by mala byť čo najkratšia zo zdravotných a hygienických dôvodov.
- nenastavujte teplotu spotrebiča na nižšiu než je potrebné.
- Vymeňte magnetické tesnenie na dverách ak si riadne neplní svoju funkciu.

Predtým, ako zavoláte servisnú službu, skontrolujte tento zoznam.

Ušetríte si tým čas aj peniaze.

Tento zoznam obsahuje udalosti, ktoré nie sú výsledkom chybnéj výroby alebo materiálu tohto zariadenia.

Problém	Možné príčiny
Chladnička s mrazničkou nefunguje	<ul style="list-style-type: none"> • Elektrická šnúra môže byť odpojená zo zdroja elektrickej energie. Pevne ju zapojte. • Poistka je vybitá, alebo vypnutá. Skontrolujte a/alebo vymeňte poistku a aktivujte ju. • Výpadok elektrického prúdu. Skontrolujte osvetlenie domácnosti.
Vibrácie, rachot alebo neobvyklý hluk	<ul style="list-style-type: none"> • Dlážka, na ktorej je chladnička položená, môže byť nerovnomerná, alebo je chladnička s mrazničkou nestabilná. Vyrovajte ju pomocou vyrovnávacích skrutiek. • V zadnej časti chladničky s mrazničkou sú položené nepotrebné predmety.
Teplota potravín vo vnútri chladničky nie je dostatočne nízka	<ul style="list-style-type: none"> • Príliš časté alebo príliš dlhé otváranie dverí. V blízkosti chladničky je zdroj tepla. Vo vnútri chladničky je veľké množstvo potravín.
Nefunguje vnútorné osvetlenie	<ul style="list-style-type: none"> • Regulátor teploty je nastavený na „0“. Žiarovka je chybná. Obráťte sa na časť „Výmena žiarovky“
Teplota v chladničke je príliš nízka	<ul style="list-style-type: none"> • Ovládač teploty je nastavený na extrémne vysoké číslo .

Problém	Možné príčiny
Chladnička má arómu	<ul style="list-style-type: none">• Potraviny so silnou arómou by ste mali pevne zatvoriť alebo zabaliť.• Skontrolujte pokazené jedlo.• Vnútrajšok je potrebné vyčistiť.• Pozrite si časť ČISTENIE.
Na povrchu skrine sa tvorí vlhkosť	<ul style="list-style-type: none">• Tento fenomén sa objavuje vo vlhkom prostredí. Utrite to suchou utierkou.
Nefunguje vnútorné osvetlenie	<ul style="list-style-type: none">• Elektrická zásuvka nie je pod prúdom.• Musíte vymeniť žiarovku. Pozrite si časť Výmena žiarovky.

Ako otočiť dvere

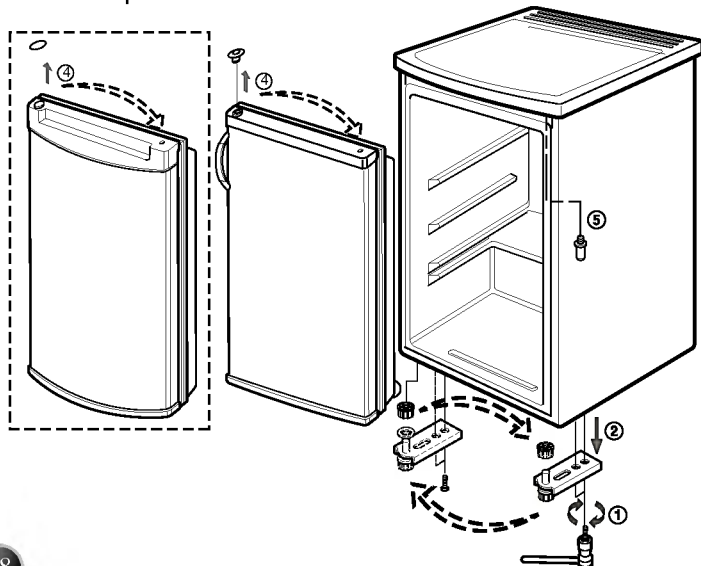
Vaša chladnička má obojstranné dvere, takže ich môžete otvárať aj z ľavej, aj z pravej strany. Ak je to potrebné, je lepšie premiestniť pánt na dverách hneď na začiatku, neskôr to môže byť nepraktické.

Ak si želáte vymeniť pánty na dverách, použite nižšie uvedenú schému a postupujte nasledovne.

Bezpečnostné opatrenie

1. Najprv odpojte spotrebič.
2. Odstráňte potraviny a doplnky ako poličky a podnosy, ktoré nie sú v chladničke fixované.
3. Opatrne položte spotrebič na podložku ako napr. Baliaci materiál, aby ste zabránili poškodeniu okruhu s chladivom.
4. Použite '+' skrutkovač alebo kľuč na dotiahnutie alebo uvoľnenie skrutiek.

1. Odskrutkujte 2 skrutky ①, a vyberte pánty (L) ②.
2. Odmontujte nástavec ③.
3. Jemne potiahnite dvere smerom dolu a vyberte ich.
4. Pred opätovným vložením dverí vymeňte kryt pántu. Vytiahnite ④ ho zo súčasného umiestnenia a preložte na druhú stranu dverí. Pri prekladaní krytu pántu dávajte pozor, aby ste nepoškodili vedľajšie povrchy.
5. Odskrutkujte kolík horného pántu (U) ⑤ a zaskrutkujte ho do protiahlého otvoru.



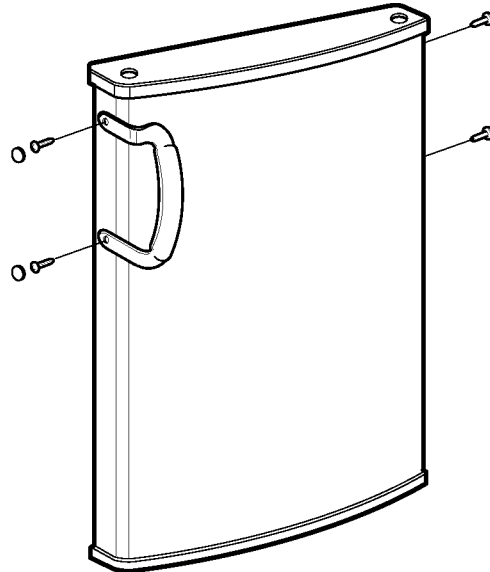
Ako prehodiť dvere

6. Po opätovnom nainštalovaní dverí zafixujte dolné pánty (L) na opačnej strane použitím 2 skrutiek.
7. Zafixujte nohu.
8. Opatrne umiestnite spotrebič do vertikálnej polohy. Prispôbte nastaviteľnú skrutku, aby ste zaistili, že je spotrebič stabilný a skontrolujte či sa dvere otvárajú a zatvárajú správne.

POZNÁMKA

Ak v prípade využitia obojstranných dverí zatvárate dvere nadmernou silou, môže sa stať, že sa dvere kvôli reakčnej sile nezatvoria. Skontrolujte prosím, či sú dvere správne zatvorené.

Rukoväť dverí (Voľba)





KÜHL- SPEISEKAMMER

Bedienungsanleitung

Lesen Sie bitte diese Bedienungsanleitung sorgfältig durch, und heben Sie sie für spätere Fragen griffbereit auf.



Inhaltsverzeichnis

Einleitung

Wichtige Sicherheitsanweisungen: ————— 4

Entsorgen Ihres alten Kühlschranks und der
Verpackung des neuen Kühlschranks. ————— 6

Zuordnung von Teilen ————— 7

Installation

Standort ————— 8

Aufstellung mit/ohne Abdeckplatte ————— 9

Elektrischer Anschluss ————— 9

Betrieb

Erste Inbetriebnahme ————— 10

Einstellen der Temperatur ————— 10

Ausschalten ————— 10

Vorschläge zur Aufbewahrung von Lebensmitteln

Aufbewahren von Lebensmitteln ————— 11

Pflege und Wartung

Abtauen ————— 12

Reinigen ————— 13

Allgemeine Informationen ————— 14

Glühbirnenaustausch ————— 14

Tipps zum Energiesparen ————— 15

Fehlersuche

Fehlersuche ————— 16

Wechsel des Türanschlags

Wie man den Türanschlag wechselt ————— 18

Wie man die Öffnungsseite der
Tiefkühlfachklappe ändert(Optional) ————— 19

Wichtige Sicherheitsanweisungen

**Zugang zur
Steckdose**

Die Steckdose des Kühl-Speisekammer sollte leicht zugänglich sein, damit dieses im Notfall schnell ausgesteckt werden kann.

**Stromkabel-
austausch**

Falls das Stromkabel beschädigt ist, muss es, um Schäden zu vermeiden, durch den Hersteller, den Kundendienst oder einen Fachmann ausgetauscht werden.

Vorsichtsmassnahmen

Dieses Kühl-Speisekammer muss entsprechend der Montageanweisung richtig installiert und aufgestellt werden, bevor es verwendet werden darf.

Stecken Sie nie Ihr Kühl-Speisekammer aus, indem Sie am Kabel ziehen. Nehmen Sie immer den Stecker, und ziehen Sie ihn gerade aus der Steckdose raus.

Achten Sie darauf, dass das Stromkabel nicht beschädigt wird, oder dass Sie mit dem Kühlschrankschrank darüber rollen, wenn Sie es von der Wand rücken.

Ziehen Sie den Stecker ab, bevor Sie das Kühl- Gefriergerät reinigen.

Das Stromkabel niemals stark knicken, ziehen oder verdrehen, da eine Beschädigung des Stromkabels Feuer oder Stromschlag verursachen könnte.

**Kein
Verlängerungskabel
verwenden**

Das Kühl-Speisekammer, sofern möglich, an eine eigene Steckdose anschließen, um zu verhindern, dass es oder andere Haushaltsgeräte oder Leuchten eine Überlastung verursachen.

▲ Gefahr

Gefahr des Einschließens für Kinder.

Bevor Sie Ihren alten Kühlschrank oder Tiefkühlschrank wegwerfen:

Die Türen abnehmen.

Lassen Sie die Einlegeböden im Kühlschrank, damit Kinder nicht so leicht hineinklettern können.

Erdung

Bei einem Kurzschluss verringert die Erdung die Gefahr eines Stromschlags, indem dem Strom eine Ableitungsmöglichkeit gegeben wird. Um mögliche Stromschläge zu vermeiden muss dieses Gerät geerdet sein. Falsche Verwendung des Erdungssteckers kann zu Stromschlägen führen.

Setzen Sie sich mit einem zugelassenen Elektriker oder dem Kundendienstfachmann in Verbindung, falls die Anweisungen zur Erdung nicht vollkommen verstanden wurden, oder falls Sie Zweifel haben, ob das Gerät richtig geerdet ist.

▲ Achtung

▲ Halten Sie die Lüftungsöffnungen des Gehäuses oder des Einbauschranks frei.

▲ Verwenden Sie keine Werkzeuge oder andere Hilfsmittel außer der vom Hersteller empfohlenen, um den Abtauprozess zu beschleunigen.

▲ Beschädigen Sie nicht den Kühlkreislauf.

▲ Verwenden Sie keine elektrischen Geräte innerhalb der Kühlfächer, außer sie wurden hierfür vom Hersteller vorgesehen.

▲ Das im Gerät verwendete Kältemittel und das Isolierungsblähgas erfordern besondere Entsorgungsmaßnahmen. Setzen Sie sich für die Entsorgung mit dem Kundendienst oder ähnlich qualifizierten Personen in Verbindung.

Entsorgen des alten Kühlschranks

Entsorgen Ihres alten Kühlschranks und der Verpackung des neuen Kühlschranks

Das Gerät sollte vor Entsorgung funktionsunfähig gemacht werden, um eine weitere, unsichere, Verwendung zu verhindern. Entfernen Sie die Stecker, trennen Sie die Elektrokabel und entfernen Sie oder zerstören Sie alle Federn, Riegel oder Verschraubungen. Dies verhindert, dass Kinder während des Spielens eingeschlossen werden. Bitte beachten Sie, dass Kühl- und Gefriergeräte beim Transport zum Entsorger oder Sammelplatz nicht beschädigt werden dürfen, da sie Isoliergas enthalten könnten. Für das Entsorgen ist ein Fachmann notwendig.

Entsorgen der Verpackung des neuen Geräts

Zum Schutz der Umwelt sollte der Kühlschrank von einem professionellen Fachbetrieb entsorgt werden. Setzen Sie sich bei weiteren Fragen bitte mit dem örtlichen Fachhändler oder mit den örtlichen Behörden in Verbindung.

Alle für dieses Gerät verwendeten Verpackungsmaterialien sind umweltfreundlich.

Die Verpackungsmaterialien sind wie folgt:

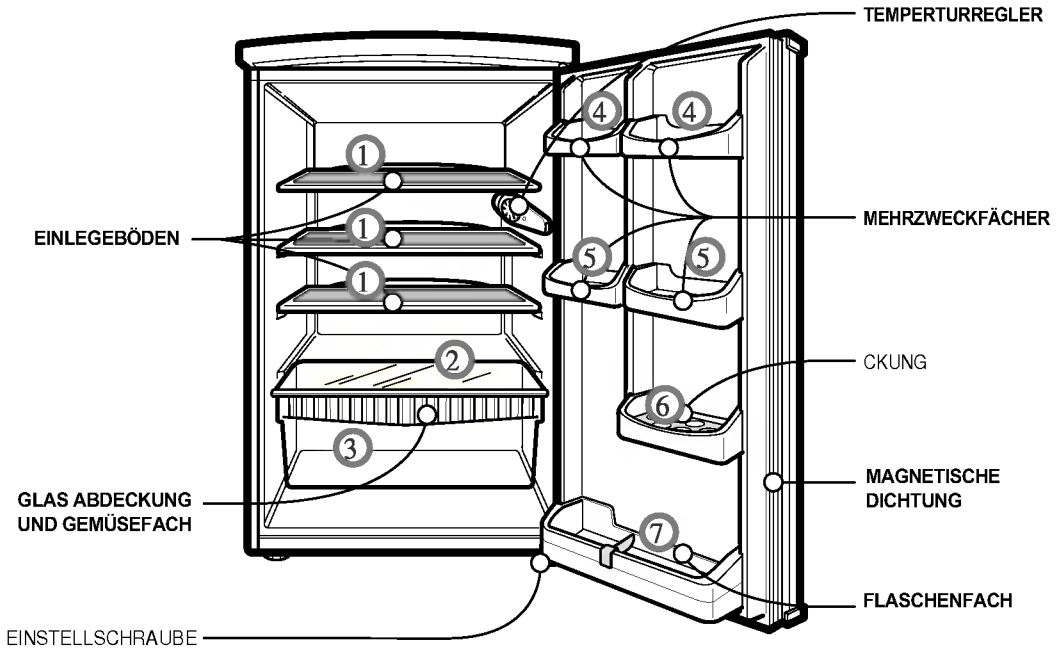
- PE** : Polyethylen - Folie oder Tasche für Verpackung
- PS** : Formteile bestehen aus geschäumtem FCKW-FREIEM Polystyrol
- PP** : Spannband besteht aus Polypropylen

Rücknahmeangebot

Dieses Gerät enthält Flüssigkeiten (Kältemittel, Schmiermittel) und besteht aus Teilen und Materialien die wieder verwendbar und/oder recyclebar sind.

Alle wichtigen Materialien sollten zur Abfallsammelstelle gebracht werden, und können nach Bearbeitung wieder verwendet werden (Recycling). Setzen Sie sich bezüglich der Rücknahme bitte mit Ihrem örtlichen Händler in Verbindung.

Zuordnung von Teilen



HINWEIS

Dies ist ein Standardmodell.
Die Form des Kühlschranks kann sich ändern.

Standort

Wir empfehlen, dass der Kühlschrank an einem trockenen und gut gelüftetem Platz aufgestellt wird. Stellen Sie sicher, dass das Gerät keinem direkten Sonnenlicht ausgesetzt wird, und nicht in der Nähe von Wärmequellen wie Öfen oder Heizkörpern aufgestellt wird. Falls dies nicht möglich ist, muss eine geeignete Platte (kein Asbest) verwendet werden, oder zumindest der folgenden Minimalabstände eingehalten werden:

von einem Gas- oder Elektroherd: 3 cm
von Öl oder Kohle betriebenen Öfen: 30cm
von einem anderen Kühlgerät: 2 cm

HINWEIS

Auf einem ebenen und festen Boden aufstellen. Falls der Boden nicht eben ist, kann dies durch die Einstellschraube an der vorderen Seite des Gehäuses ausgeglichen werden.

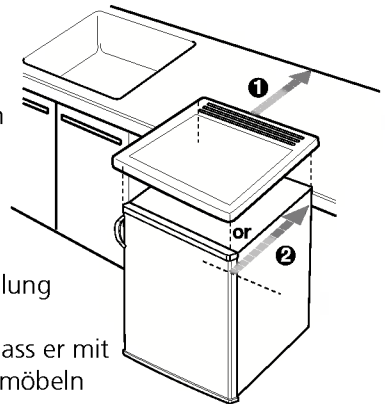
Die Tür lässt sich leichter schließen, wenn die Vorderseite höher ist als die Rückseite.

Aufstellung mit/ ohne Abdeckplatte

Stellen Sie sicher, dass die vom Gerät auf der Rückseite erzeugte, warme Luft ohne Behinderung zirkulieren kann. Falls nicht erhöht sich die vom Kälteteil benötigte Leistung, was zu einem Mehrverbrauch führt. Stellen Sie daher sicher, dass das Lüftungsgitter nicht verdeckt oder blockiert ist.

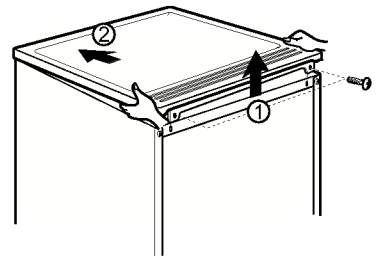
1. schieben Sie bei Freiaufstellung (mit Abdeckung) den Kühlschrank so gegen die Wand, dass das Lüftungsgitter in der Abdeckung nahezu die

2. richten Sie bei Aufstellung ohne Abdeckung den Kühlschrank so aus, dass er mit dem anderen Küchenmöbeln bündig ist.



Wie die Abdeckung entfernt wird

1. Die beiden Schrauben an der hinteren Seite der Abdeckung lösen.
2. Die hintere Seite der Abdeckung festhalten, leicht anheben und gleichzeitig nach vorne schieben.



Elektrischer Anschluss

Dieses Gerät muss an 220~240 V, 50 Hz Wechselfspannung angeschlossen werden. Sie dürfen dieses Gerät nur mit Steckdosen mit zulässiger Erdung verbinden. Diese Arbeit sollte nur von einem zugelassenen Fachmann ausgeführt werden.

Erste Inbetriebnahme

Das Gerät vor dem Einschalten mindestens 2 Stunden am endgültigen Standort stehen lassen, damit der Kältemittelkreislauf zur Ruhe kommt, und keine Betriebsstörungen auftreten.

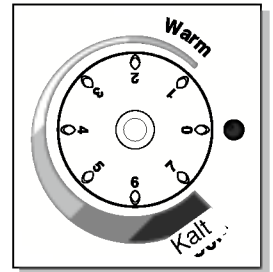
Den Temperaturregler aus der Position "0" drehen. Der Kühlprozess beginnt, und die Leuchte im Inneren des Kühlschranks schaltet sich ein, wenn die Tür geöffnet.

Einstellen der Temperatur

Wir empfehlen, für normalen Betrieb den Regler auf den Wert "4" zu stellen.

Zu warm: Das Drehen des Reglers im Uhrzeigersinn stellt den Kühlschrank kälter (größere Zahl).

Zu kalt: Das Drehen des Reglers im Gegenuhrzeigersinn stellt den Kühlschrank wärmer (kleinere Zahl).



Die Temperatureinstellung hängt von der Umgebungstemperatur, der Lebensmittelmenge und davon ab, wie oft die Kühlschranktür geöffnet wird. Die Temperatureinstellung sollte überprüft werden, indem ein entsprechendes Thermometer verwendet wird, und des Bedienungsanweisung befolgt wird.

Ausschalten

Den Temperaturregler gegen den Uhrzeigersinn bis zum Anschlag drehen, und auf "0" stellen. Der Kühlprozess stoppt, und die Leuchte im Inneren des Kühlschranks schaltet sich aus.

Aufbewahren von Lebensmitteln

Falls die Tür öfter als notwendig geöffnet wird oder lange offen bleibt, steigt die Temperatur im Kühlschrank an. Dies führt dazu, dass die Haltbarkeit der Lebensmittel und der Geschmack beeinträchtigt wird, und dass der Energieverbrauch ansteigt.

Anordnen von Lebensmitteln

- Bewahren Sie stark riechende Lebensmittel in geschlossenen Behältern auf.
- Verwenden Sie Aluminiumfolie, Kunststoffolie, Metall- und Glasbehälter als Verpackung für Lebensmittel.
- Lassen Sie warme Lebensmittel ausreichend abkühlen, bevor Sie sie in den Kühlschrank stellen. Die Wärme erzeugt Vereisungen und erhöht den Energieverbrauch.
- Bewahren Sie hochprozentige Spirituosen in luftdichten Flaschen stehend auf.
- Bewahren Sie Lebensmittel, die bei Kälte schnell schlecht werden (z.B. Melonen, Bananen, Ananas), nicht im Kühlschrank auf.

<Bezieht sich auf die Abbildung auf Seite 7>

- ① Brot, gekochte Speisen.
- ② Fleisch, Wurst, aufgeschnittene Produkte.
- ③ Obst, Gemüse, Salate.
- ④ Butter, Käse.
- ⑤ Kleine Gläser oder Flaschen, Dosen, Gewürze.
- ⑥ Eier.
- ⑦ Große Flaschen.

Stellen Sie sicher, dass die Tür immer richtig geschlossen ist. Dies verhindert, dass die Lebensmittel schlecht werden, und dass sich eine dicke Eisschicht oder Raureif im Kühlschrank bildet, was zu einem hohen Stromverbrauch führt.

Abtauen

Abtauen des Kühlfachs

Während des Betriebs des Kühlschranks bildet sich Eis auf der Rückseite des Kühlfachs, das automatisch schmilzt, wenn der Kompressor abschaltet. Das Tauwasser sammelt sich in der Ablaufrinne und verdunstet durch die Wärme des Kompressors.

HINWEIS

Verwenden Sie niemals elektrische Geräte im Kühlschrank, um das Abtauen zu unterstützen.

Seien Sie vorsichtig, wenn Sie Abtausprays verwenden, um das Abtauen zu unterstützen. Diese Sprays enthalten Substanzen wie brennbare Gase und können schlecht für das Gerät oder gesundheitsschädlich sein.

▲ Achtung

Reinigen

Stecken Sie immer das Gerät aus, oder entfernen Sie die entsprechende elektrische Sicherung, bevor Sie das Gerät reinigen.

Verwenden Sie keine scharfen Werkzeuge (wie Messer oder Schraubenzieher), die den Kältemittelkreislauf beschädigen könnten, was zu Umwelt- oder Gesundheitsschäden führen würde.

Verwenden Sie niemals Dampf- oder Hochdruckreiniger, da diese die Oberfläche des Kühlschranks und die elektrische Anlage beschädigen könnten. Verwenden Sie niemals Sand, Scheuermittel, ätzende oder chemische Reinigungsmittel.

- Der Kühlschrank, einschließlich der inneren Teile, sollte mit einem Lappen oder lauwarmen Wasser gereinigt werden. Sie können normales Geschirrspülmittel verwenden.
- Wischen Sie das Gerät anschließend gründlich mit klarem Wasser ab, und trocknen Sie es ab.

Entfernen Sie regelmäßig mit einer weichen Bürste den Staub und anderen Ablagerungen auf dem Wärmetauscher auf der Rückseite des Kühlschranks. Staub und Ablagerungen behindern die Wärmeabgabe vom Inneren, und erhöhen den Energieverbrauch.

Jegliche Beschädigung am Wärmetauscher oder anderen Bauteilen führt zu einem Entweichen des Kältemittels in die Umgebung, und muss daher vermieden werden, um Schäden an der Umwelt und gesundheitliche Risiken zu vermeiden.

Allgemeine Informationen

Urlaub

Wenn Sie vorhaben, länger wegzufahren, entfernen Sie alle Lebensmittel, stecken Sie den Strom aus, reinigen Sie den Kühlschrank gründlich, und lassen Sie die Tür OFFEN, um unangenehme Gerüche zu verhindern.

Stromausfall

Die meisten Stromausfälle werden innerhalb von 1 – 2 Stunden beseitigt, und haben keinen Einfluss auf die Kühlschranktemperatur. Sie sollten jedoch während des Stromausfalls den Kühlschrank so wenig wie möglich öffnen.

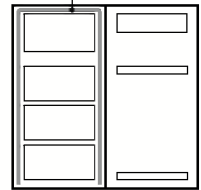
Umzug

Entfernen Sie alle Elemente aus dem Kühlschrank, oder befestigen Sie alle lockeren Teile. Drehen Sie die Einstellschraube bis zum Anschlag hinein, um Beschädigungen zu verhindern.

Anti-Kondensleitung

- Die Anti-Kondensleitung ist rund um die Vorderseite des Kühlschranks montiert, um eine Tauwasserbildung zu verhindern.
- Besonders nach dem Einschalten oder bei hohen Umgebungstemperaturen kann sich der Kühlschrank warm anfühlen, was aber ganz normal ist.

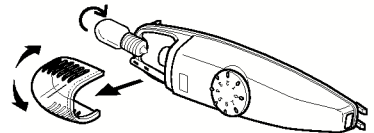
Anti-Kondensleitung



Glühbirnenaustausch

Den Stecker aus der Steckdose ausstecken.

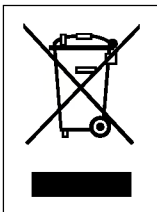
1. Die Einlegeböden entfernen, um den Zugang zu vereinfachen.
2. Die Leuchtenabdeckung durch leichtes Hoch- und Runterdrehen vom Thermostatgehäuse entfernen
3. Die Glühbirne gegen den Uhrzeigersinn drehen und ersetzen (max. 15W, 220~240V)
4. In umgekehrter Reihenfolge der Demontage wieder zusammenbauen.
Die Ersatzbirne muss die gleichen Eigenschaften wie die Originalbirne aufweisen.



Tipps zum Energiesparen

- Warten Sie nach dem Bewegen des Gerätes 2 Stunden vor dem Wiedereinschalten.
- Stellen Sie das Gerät nicht neben Heizkörpern, Öfen oder anderen Wärmequellen auf. Falls die Umgebungstemperatur hoch ist, läuft der Kompressor für eine lange Zeit.
- Stellen Sie das Gerät an einem kühlen und gut gelüftetem Platz auf. Nicht dem direkten Sonnenlicht aussetzen.
- Die Tür nicht zu lange offen lassen.
- Keine warmen Speisen oder Getränke in das Gerät stellen. Lassen Sie die Sachen bitte genügend abkühlen, da andernfalls der Dampf der heißen Speisen das Vereisen der Verdichtereinheit beschleunigen würde. Die Aufbewahrungszeit im Kühlschrank sollte aus hygienischen und gesundheitlichen Gründen so kurz wie möglich sein.
- Stellen Sie die Temperatur des Geräts nicht niedriger als benötigt ein.
- Ersetzen Sie die magnetische TÆ rdichtung, fall diese nicht mehr richtig funktioniert.

Entsorgung von Altgeräten



1. Wenn dieses Symbol eines durchgestrichenen Abfalleimers auf einem Produkt angebracht ist, unterliegt dieses Produkt der europäischen Richtlinie 2002/96/EC.
2. Alle Elektro- und Elektronik-Altgeräte müssen getrennt vom Hausmüll über dafür staatlich vorgesehenen Stellen entsorgt werden.
3. Mit der ordnungsgemäßen Entsorgung des alten Geräts vermeiden Sie Umweltschäden und eine Gefährdung der persönlichen Gesundheit.
4. Weitere Informationen zur Entsorgung des alten Geräts erhalten Sie bei der Stadtverwaltung, beim Entsorgungsamts oder in dem Geschäft, wo Sie das Produkt erworben haben.

Überprüfen Sie vor dem Anrufen des Kundendienstes diese Liste. Dies kann Ihnen sowohl Zeit und Geld sparen. Die Liste enthält häufige Fehler, die ihre Ursache nicht in einer fehlerhaften Verarbeitung oder Material dieses Gerätes haben.

Problem	Mögliche Ursache
Kühl-Speisekammer funktioniert nicht	<ul style="list-style-type: none"> • Der Stecker könnte ausgesteckt sein. Richtig einstecken. • Die Gebäudesicherung/Leistungsschalter hat angesprochen. Die Gebäudesicherung/Leistungsschalter prüfen und/oder ersetzen. • Stromausfall Prüfen Sie die Hausbeleuchtung.
Vibration oder Klappern oder anormales Geräusch	<ul style="list-style-type: none"> • Der Boden, auf dem der Kühlschrank steht, könnte uneben sein, oder der Kühlschrank könnte wackelig stehen. Ausrichten durch Drehen der Einstellschraube. • Unnötige Gegenstände stehen an der Rückwand des Kühlschranks.
Die Temperatur der Lebensmittel im Kühlschrank ist	<ul style="list-style-type: none"> • Die Tür wurde zu oft oder zu lange geöffnet. Es gibt eine Wärmequelle neben dem Kühlschrank. Eine große Lebensmittelmenge wurde in das Kühlfach gestellt.
Die Innenleuchte funktioniert nicht richtig	<ul style="list-style-type: none"> • Der Temperaturregler steht auf "O". Die Glühbirne ist defekt. Siehe Abschnitt „Lampenaustausch“
Die Temperatur im Kühlschrank ist zu kalt	<ul style="list-style-type: none"> • Der Temperaturregler steht auf einer sehr hohen Ziffer.

Problem	Mögliche Ursache
<p>Der Kühlschrank riecht</p>	<ul style="list-style-type: none">• Lebensmittel mit starkem Geruch sollten gut verschlossen oder abgedeckt sein.• Kontrollieren, ob sich verdorbene Lebensmittel im Kühlschrank befinden.• Der Innenraum muss gereinigt werden.• Siehe Abschnitt "Reinigen"
<p>Es bildet sich Feuchtigkeit auf der Gehäuseoberfläche</p>	<ul style="list-style-type: none">• Diese Phänomen kann an einem feuchten Platz auftreten. Mit einem Handtuch abtrocknen

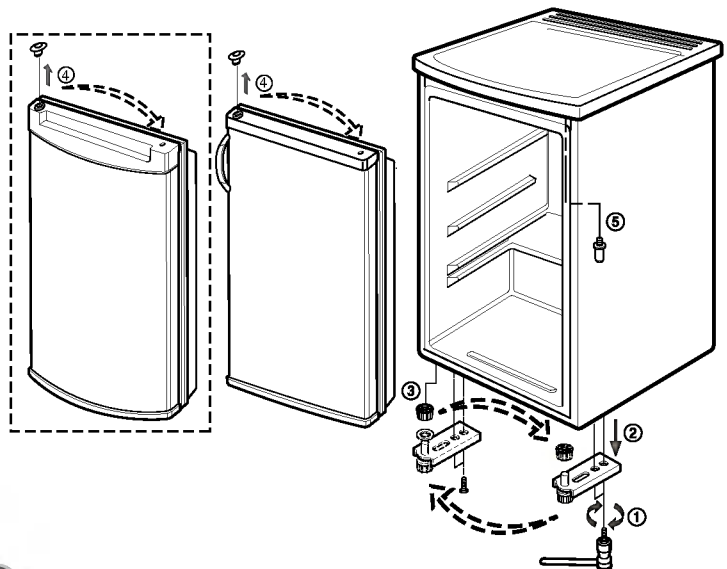
Wie man den Türanschlag wechselt

Ihr Kühlschrank wurde mit einer reversiblen Tür ausgestattet, damit Sie die Tür entweder links oder rechts anschlagen können. Es ist am Besten, das Türscharnier vor dem Aufstellen umzubauen, da dies später unpraktisch ist. Achten Sie auf die nachfolgende Abbildung, um das Türscharnier umzubauen, und gehen Sie wie folgt vor.

Vorsichtsm assnahmen

1. Zuerst das Gerät ausstecken.
2. Entfernen Sie die Lebensmittel und loses Zubehör wie Einlegeböden und Schalen.
3. Legen Sie den Kühlschrank auf ein Polster wie Verpackungsmaterial, ohne den Kältekreislauf zu beschädigen.
4. Benutzen Sie einen Schraubenschlüssel respektive geeignetes Werkzeug, um die Schrauben zu lösen und anzuziehen.

1. Entfernen Sie die beiden Schrauben ①, und entfernen dann das Scharnier (L) ②.
2. Entfernen Sie den Fuß ③.
3. Ziehen Sie vorsichtig die Tür nach unten, um sie zu entfernen.
4. Wechseln Sie die Scharnierabdeckung ④ von der jetzigen Position auf die andere Seite der Tür, indem Sie sie abziehen, bevor Sie die Tür neu montieren. Es muss darauf geachtet werden, dass die umliegenden Flächen nicht beschädigt werden, wenn die Scharnierabdeckung entfernt wird.
5. Schrauben Sie den Stift des oberen Scharniers (U) ⑤ ab, und schrauben Sie es in die entgegen gesetzte Bohrung ein.



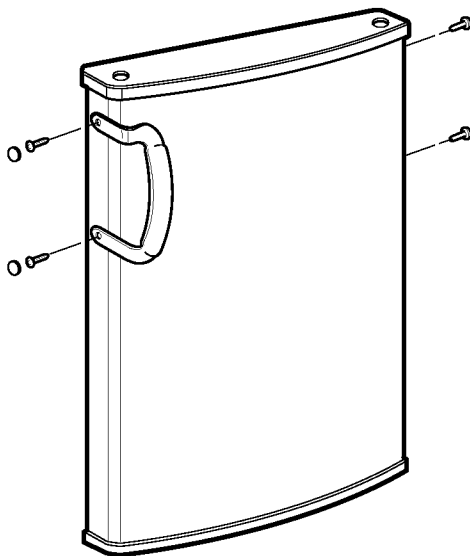
Wie man den Türanschlag wechselt

6. Befestigen Sie das untere Scharnier (L) mit 2 Schrauben auf der entgegengesetzten Seite, nachdem die Tür eingesetzt wurde.
7. Befestigen Sie den Fuß.
8. Stellen Sie das Gerät vorsichtig aufrecht hin. Verwenden Sie die Einstellschraube, um das Gerät auszurichten, und prüfen Sie, ob sich die Tür richtig öffnen und schließen lässt.

HINWEIS

HINWEIS: Nachdem Sie die Tür umgebaut haben, kann es sein, dass beim kräftigen Schließen sich die Tür auf Grund der Reaktionskräfte nicht richtig schließt. Stellen Sie sicher, dass sich die Tür richtig schließt.

Wie man die Öffnungsseite der Tiefkühlfachklappe ändert (Option)





INSTRUKCJA OBSŁUGI **ZAMRAŻARKI**

Przed rozpoczęciem użytkowania proszę dokładnie zapoznać się instrukcją obsługi. Instrukcję należy trzymać w takim miejscu, aby zawsze była łatwo dostępna.



Spis treści

Wstęp	Ważne wskazówki dotyczące bezpieczeństwa	4
	Co zrobić ze starym sprzętem i opakowaniem nowego	6
	Opis elementów wyposażenia	7
Instalacja	Lokalizacja	8
	Instalacja z blatem lub bez	9
	Podłączenia elektryczne	9
Użytkowanie	Rozpoczęcie pracy	10
	Sterowanie temperaturą	10
	Wyłączenie	10
Porady dotyczące przechowywania żywności	Przechowywanie żywności	11
Czyszczenie i konserwacja	Odszranianie	12
	Czyszczenie	13
	Informacje ogólne	14
	Wymiana żarówki	14
	Porady dotyczące oszczędzania energii	15
Rozwiązywanie problemów	Rozwiązywanie problemów	16
Przekładanie drzwi	Jak przełożyć drzwi	18
	Uchwyt drzwi(Optional)	19

Ważne wskazówki dotyczące bezpieczeństwa

Dostępność wtyczki zasilającej

Wtyczka zasilania lodówki-spiżarni powinna być umieszczona w łatwo dostępnym miejscu tak, aby można było ją szybko odłączyć w razie potrzeby.

Wymiana przewodu zasilającego

Jeżeli przewód zasilający jest uszkodzony, aby uniknąć niebezpieczeństwa powinien on być wymieniony przez producenta lub jego serwis albo przez wykwalifikowaną osobę.

Ostrzeżenia

Przed użyciem lodówka-spiżarnia musi być właściwie zainstalowana i ustawiona zgodnie z instrukcjami instalacji.

Nigdy nie wolno odłączać lodówki-spiżarni przez ciągnięcie za kabel zasilania. Zawsze należy mocno chwycić wtyczkę i pociągnąć ją prosto z gniazdka.

Gdy odsuwamy urządzenie od ściany, należy zwrócić uwagę, aby nie przesunąć go po przewodzie sieciowym ani tego przewodu nie uszkodzić.

Wyciągnij wtyczkę z gniazdka zasilania przed przystąpieniem do czyszczenia lodówki-spiżarni.

Nigdy nie wolno uszkadzać, zbyt mocno zwiijać, wyciągać ani skręcać przewodu zasilającego, ponieważ jego uszkodzenie może być przyczyną pożaru lub porażenia prądem elektrycznym.

Nie używać przedłużaczy

Jeżeli to możliwe podłącz lodówkę-spiżarnię do osobnego obwodu elektrycznego, aby uchronić instalację elektryczną, urządzenia i oświetlenie domowe przed przeciążeniem.

Ważne wskazówki dotyczące bezpieczeństwa

Niebezpieczeństwo







Niebezpieczeństwo uwięzienia dzieci.
Przed wyrzuceniem starej chłodziarki lub zamrażarki należy zdemontować drzwi.
Półki należy pozostawić na swoich miejscach, aby utrudnić dzieciom dostanie się do środka.

Obwód ochronny (uziemiaenie)

W przypadku zwarcia obwodu elektrycznego, obwód ochronny (uziemiaenie) zmniejsza niebezpieczeństwo porażenia prądem elektrycznym poprzez odprowadzenie prądu dodatkowym przewodem. Aby zapobiec możliwości porażenia prądem elektrycznym, niniejsze urządzenie musi być uziemione. Nieprawidłowe użycie uziemionej wtyczki może spowodować porażenie prądem elektrycznym.

Jeżeli instrukcje odnośnie uziemiania nie są w pełni zrozumiałe lub gdy mamy wątpliwości, czy urządzenie jest uziemione prawidłowo, należy poradzić się wykwalifikowanego elektryka lub pracownika serwisu.

Ostrzeżenie

-  Otwory wentylacyjne w obudowie urządzenia lub w szafce do zabudowy muszą pozostawać czyste i nie zasłonięte.
-  Do przyspieszania procesu odszraniania nie wolno stosować żadnych urządzeń mechanicznych ani innych środków, które nie są zalecane przez producenta.
-  Nie wolno uszkadzać obwodu chłodniczego.
-  Wewnątrz komór do przechowywania żywności nie wolno używać żadnych urządzeń elektrycznych, jeśli nie są one typu zalecanego przez producenta.
-  Czynnik chłodniczy i gaz użyty do spieniania izolacji w urządzeniu wymagają specjalnych procedur utylizacji.
-  W sprawie pozbycia się urządzenia należy skonsultować się z pracownikiem serwisu lub podobnie wykwalifikowaną osobą.

Co zrobić ze starym urządzeniem oraz opakowaniem nowego

Stare urządzenie

Stare urządzenie, którego czas użytkowania się zakończył, ze względów bezpieczeństwa powinno zostać zniszczone przed jego wyrzuceniem. Należy wyjąć wtyczki zasilające, odłączyć przewody przyłączeniowe oraz usunąć i zniszczyć wszystkie sprężyny, zatrzaski lub sworznie, aby zapobiec uwięzieniu dzieci podczas zabawy.

Ze względu na ochroną środowiska stare urządzenia chłodnicze powinny być likwidowane przez firmy zajmujące się likwidacją odpadów. W razie jakichkolwiek wątpliwości należy konsultować się w organach władzy lokalnej.

Opakowanie

Wszystkie materiały użyte do opakowania tego urządzenia są przyjazne środowisku.

Materiały zastosowane do pakowania to:

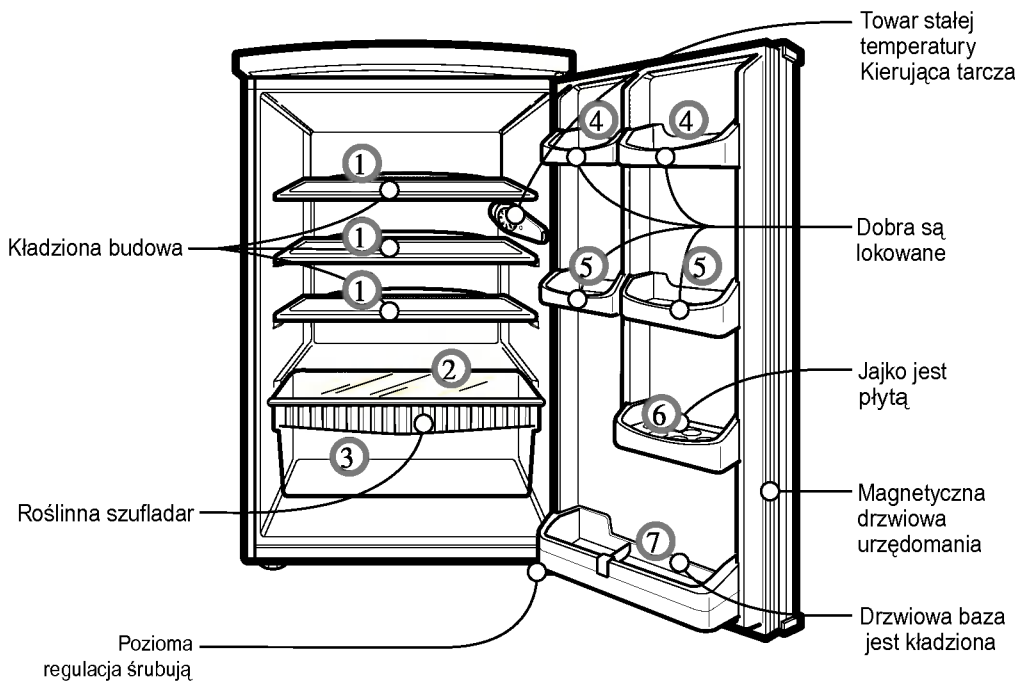
- **PE**: polietylen - folia lub rękaw foliowy do pakowania
- **PS**: kształtki wykonane ze styropianu nie zawierającego CFC (chloro-fluoro-węglowodory)
- **PP**: taśma klejąca wykonana z polipropylenu

Możliwość zwrotu materiałów

Niniejsze urządzenie zawiera płyny (czynnik chłodniczy, substancja smarująca) i jest wyprodukowane z części i materiałów, które mogą być ponownie użyte i/lub przetworzone.

Wszystkie ważne materiały powinny zostać przekazane do punktów zbiórki materiałów odpadowych i mogą być powtórnie użyte po ich przetworzeniu (poddaniu recyklingowi). W sprawie ich zwrotu należy się kontaktować z instytucjami lokalnymi.

Opis elementów wyposażenia



UWAGA

Jest to model podstawowy. Kształt chłodziarki może być przedmiotem zmian.

Lokalizacja

Zalecamy instalację zamrażarki w miejscu suchym i przewiewnym. Należy się upewnić, że urządzenie nie jest wystawione na bezpośrednie działanie promieni słonecznych ani nie znajduje się w pobliżu źródeł ciepła, jak piece, grzejniki, kaloryfery. Jeśli nie jest to możliwe, należy zastosować odpowiednią płytę izolacyjną (nie azbestową) albo przynajmniej zachować minimalne następujące odległości:

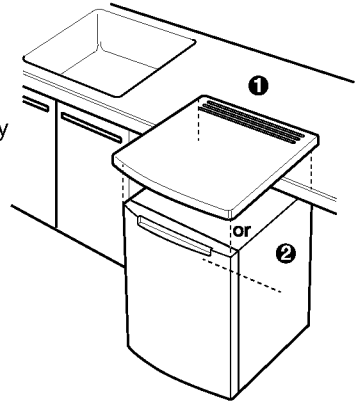
- od kuchenki gazowej lub elektrycznej: 3 cm
- od pieców olejowych lub opalanych węglem: 30 cm
- od innych urządzeń chłodniczych: 2 cm

UWAGA

Urządzenie umieścić na płaskiej i mocnej powierzchni. Jeśli podłoże jest nierówne, należy wyregulować nóżki obracając śruby poziomujące znajdujące się na przedniej krawędzi szafki obudowy. Przód wyrobu powinien znajdować się trochę wyżej niż jego tył, co ułatwi zamykanie drzwi.

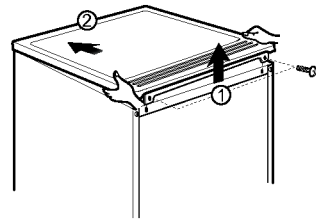
Tasma/nie bierze instalacji dachu listek

1. Kiedy listek dachu taśmę wprowadza na urząd (miejsce dowolnie), pcha chłodnię, przychodzenie dopóki lotniczy cyrkulacyjny otwór listka dachu pod, dopóki ściana.
2. Nie biorąc dekują listek wprowadzić na urząd, cel na frontowym ostrzu drzwi, frontowego ostrza kuchennych mebli.



Jak zeby usunac górny stół

1. Odkręćcie dwa strzały na osadzeniu górnego stołu
2. Potrzyjmacie osadzenie górnego stołu i pchają napastniczki z zadzierającymi górny stół lekko.



Podłączenia elektryczne

Niniejsze urządzenie powinno zostać podłączone do źródła prądu zmiennego 220-240V, 50 Hz. Urządzenie to można podłączyć wyłącznie do gniazda zasilającego z obwodem ochronnym podłączonym zgodnie z odpowiednimi przepisami. Instalację powinien przeprowadzić wyłącznie wykwalifikowany specjalista.

Rozpoczęcie pracy

Urządzenie przed włączeniem należy pozostawić w pozycji stojącej na co najmniej 2 godziny w celu ustabilizowania się obiegu czynnika chłodniczego, co zapobiegnie pojawianiu się problemów podczas pracy.

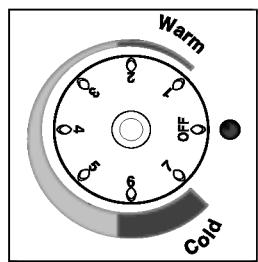
Obróć pokrętkę temperatury z pozycji „0”.

Rozpocznie się proces chłodzenia a wewnętrzna lampka będzie zapalać się przy otwarciu drzwi.

Sterowanie temperaturą

Zalecamy normalne ustawienie pokrętła na pozycję „4”.

Zbyt ciepły Wzdłuż ręki godziny, obrotu temperatura bardziej kierująca, wartość instalacja do chłodniejszej instalacji (wyżej palcowa instalacja wartość).



Zbyt zmarznie Contvalp kolejno temperatura bardziej kierująca wartość instalacja bardziej dogrzać instalację, (bardziej nisko palcowa instalacyjna wartość)

Ustawienie to zależy od temperatury otoczenia, ilości włożonej żywności oraz do tego jak często otwierane są drzwi. Tak, więc ustawienie temperatury powinno być sprawdzane przy pomocy odpowiedniego termometru.

Wyłączenie

Obróć pokrętkę regulacji temperatury przeciwnie do zegara do pozycji „0”. Proces chłodzenia zatrzymuje się i gaśnie lampka wewnętrzna.

Przechowywanie żywności

Częste otwieranie drzwi lub pozostawienie ich otwartych na dłuższy czas powoduje wzrost temperatury wewnątrz zamrażarki. Powoduje to zmniejszenia czasu przechowywania żywności i pogorszenie jej smaku oraz wzrost zużycia energii.

Rozłożenie produktów żywnościowych

- Produkty wydzielające zapachy należy przechowywać w pojemnikach lub zawinięte.
- Jako opakowań używaj folii aluminiowej, plastikowej i metalowych lub szklanych pojemników.
- Ciepłe potrawy muszą być schłodzone przez włożeniem do lodówki.
- Napoje o duże zawartości alkoholu należy trzymać szczelnych butelkach w pozycji wyprostowanej.
- Nie przechowuj w lodówce produktów, które źle znoszą niską temperaturę (melony, banany, ananasy itp.)

<Patrz rysunek na stronie 7>

- ① Chleb, gotowane potrawy.
- ② Mięso, wędliny, produkty w plasterkach.
- ③ Warzywa, owoce, sałatki.
- ④ Masło, sery.
- ⑤ Małe pojemniki szklane lub butelki, puszki, przyprawy.
- ⑥ Jajka.
- ⑦ Duże butelki z napojami.

Upewnij się, czy drzwi są dokładnie zamknięte.

Odszranianie

Odszranianie zamrażarki

W komorze zamrażania wilgoć z powietrza tworzy szron lub lód w czasie pracy urządzenia lub gdy drzwi zamrażarki są otwarte.

UWAGA

W celu przeprowadzenia odszraniania nigdy nie wolno wstawiać do zamrażarki urządzeń elektrycznych. Podczas stosowania substancji rozmrażających w aerozolu należy zachować ostrożność. Środki te zawierają gazy wybuchowe lub są szkodliwe dla syntezy albo ludzkiego zdrowia.

⚠ Ostrzeżenie

Przed czyszczeniem zawsze należy odłączyć wtyczkę lub wyłączyć źródło zasilania.

Nie stosować ostrych przedmiotów (jak nóż, śrubokręt), które mogłyby uszkodzić obwód chłodniczy, co stanowi zagrożenie dla środowiska i zdrowia.

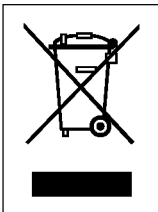
Nigdy nie wolno używać oczyszczaczy parowych ani ciśnieniowych oczyszczaczy parowych, ponieważ gorąca para może uszkodzić powierzchnię zamrażarki oraz urządzenia elektryczne. Nigdy nie stosować piasku, agresywnych detergentów, kwasów lub rozpuszczalników chemicznych.

- Należy zachować ostrożność, jeżeli podczas czyszczenia do termostatu lub lampki dostanie się woda.
- Zamrażarkę należy czyścić wraz z elementami wewnętrznymi szmatką lub letnią wodą. Można stosować dostępne w handlu środki do mycia naczyń.

Za pomocą miękkiej szczotki należy regularnie czyścić wymiennik ciepła na tylnej ścianie zamrażarki, tak aby nagromadzony kurz i różne cząstki nie utrudniały procesów rozprężania, powodując zwiększenie zużycia energii.

Należy unikać wszelkich uszkodzeń wymiennika ciepła lub innych zdarzeń prowadzących do wypuszczenia czynnika chłodniczego do otoczenia, ponieważ stanowi to zagrożenie dla środowiska i zdrowia.

Utylizacja starych urządzeń



1. Kiedy do produktu dołączony jest niniejszy przekreślony symbol kołowego pojemnika na śmieci, oznacza to, że produkt jest objęty dyrektywą 2002/96/EC.
2. Wszystkie elektryczne i elektroniczne produkty powinny być utylizowane niezależnie od odpadów miejskich, z wykorzystaniem przeznaczonych do tego miejsc składowania wskazanych przez rząd lub miejscowe władze.
3. Właściwy sposób utylizacji starego urządzenia pomoże zapobiec potencjalnie negatywnemu wpływowi na zdrowie i środowisko.
4. Aby uzyskać więcej informacji o sposobach utylizacji starych urządzeń, należy skontaktować się z władzami lokalnymi, przedsiębiorstwem zajmującym się utylizacją odpadów lub sklepem, w którym produkt został kupiony.

Wyjazdy

Jeśli planujemy wyjazd na dłuższy czas, należy wyjąć całą żywność, odłączyć przewód zasilający, dokładnie wyczyścić wnętrze i pozostawić OTWARTE drzwi, aby zapobiec powstawaniu nieprzyjemnego zapachu.

Zanik napięcia zasilania

Większość zaników zasilania trwa od 1 do 2 godzin i nie wpływa na temperaturę zamrażarki. Jednakże należy w tym czasie ograniczyć do minimum częstotliwość otwierania drzwi. Podczas dłuższych przerw w zasilaniu należy na wierzchu zamrożonych produktów położyć kawałek suchego lodu.

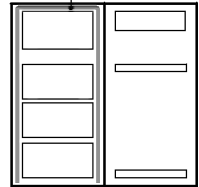
W czasie przeprowadzki

Z zamrażarki należy wyjąć elementy wewnętrzne lub przy pomocy taśmy trwale przymocować wszystkie luźne części. Aby uniknąć uszkodzenia śrub regulacyjnych należy wkręcić wszystkie nóżki poziomujące do oporu w podstawę.

Obwód zapobiegający skraplaniu

- Rura zapobiegająca kondensacji jest zainstalowana z przodu lodówki-spiżarni.

obwód zapobiegający skraplaniu

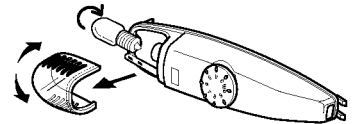


- Po zainstalowaniu lub, gdy temperatura otoczenia jest wysoka, lodówka-zamrażarka może być gorąca, jest to normalna oznaka.

Zmiana lekka bulwa

Wyciągnijcie od zamian na drugą ścienny elektryczny wylot moc lina.

1. Operujcie dla poręczności, rozbierają półmisek kropli wody i układają się.
2. Potrzymajcie obciśle lampshade, kordonek ruszyć do góry i mech to rozebrać do góry od termostatu zewnętrzną powłok.



3. Przecząca ręka godziny kolejno poruczyć bulwę lampy, i poprawiają to.
4. Z rozbierają rozładować przeciwieństwo w właściwym rzędzie włączającym. Bulwa lampy poprawiają musi zostać z początkowo homologii sprecyzowania.

Porady dotyczące oszczędzania energii

- Po przeniesieniu urządzenia odczekać 2 godziny przed ponownym włączeniem.
- Nie umieszczać urządzenia w pobliżu kaloryfer, pieca lub źródła ciepła. Przy wyższej temperaturze otoczenia sprężarka pracuje przez dłuższy czas.
- Urządzenie należy umieszczać w chłodnym i przewiewnym pomieszczeniu. Nie wystawiać na bezpośrednie działanie promieni słonecznych.
- Drzwi nie powinny zbyt długo pozostawać otwarte.
- Nie wkładać do zamrażarki ciepłych potraw i napojów. Najpierw należy je schłodzić. W przeciwnym razie para z gorących produktów żywnościowych będzie powodować oblodzenie parownika urządzenia. Również czas schładzania powinien być jak najkrótszy ze względów zdrowotnych i higienicznych.
- Nie ustawiać temperatury urządzenia na niższą niż jest to potrzebne.
- W przypadku wadliwego działania magnetycznej uszczelki drzwi należy ją wymienić.

Zanim wezwiemy serwis, należy najpierw sprawdzić poniższą listę.
Może to zaoszczędzić czasu i wydatków.
Lista ta zawiera ogólne przyczyny problemów, które nie wynikają z nieodpowiedniego wykonania ani wadliwych materiałów w tym urządzeniu.

Problem	Możliwe przyczyny
Iodówka-zamrażarka nie działa	<ul style="list-style-type: none">• Wtyczka sieciowa może być odłączona od gniazda. Włączyć ją dokładnie.• Zadziałał bezpiecznik instalacji domowej lub wyłącznik obwodu elektrycznego. Sprawdzić i lub wymienić bezpiecznik i wyłącznik obwodu.• Przerwa w zasilaniu Sprawdzić oświetlenie domowe.
Wibracje, drgania lub nienormalne odgłosy	<ul style="list-style-type: none">• Podłoga, na której ustawiona jest lodówka-zamrażarka jest nierówna lub niestabilna. Wypoziomuj lodówkę przez obracania nóżek poziomujących.• Niepotrzebne przedmioty ustawione są z tyłu lodówki-zamrażarki.
Temperatura w komorze zamrażarki jest za wysoka	<ul style="list-style-type: none">• Za częste lub za długie otwarcia drzwi. W pobliżu lodówki-zamrażarki znajduje się źródło ciepła. Do komory zamrażarki włożono dużą ilość żywności.
Nie działa wewnętrzna lampka	<ul style="list-style-type: none">• Pokrętko temperatury jest ustawione na „0” Żarówka jest niesprawna. Patrz sekcja „Wymiana żarówki”
Temperatura w komorze zamrażarki jest za niska	<ul style="list-style-type: none">• Regulator elektroniczny został ustawiony na zbyt niską wartość.

Problem

Możliwe przyczyny

Zbierać ita
dział

- **Jadło z silnym powonieniem musi być dodane rygorystycznie, jest nakrywane albo jest obwijane.**
- **Zbadajcie septyczne jadło.**
- **Wewnątrz w domu potrzeba.**
Widzą Czyszczenie.

Na powierzchni
szafki powstaje
wilgoć

- **Zjawisko to może występować przy dużej wilgotności otoczenia.**
Wyrzeć przy pomocy suchego ręcznika.

Nie działa
wewnętrzna lampka

- **ZjaNie ma zasilania w gniazdku.**
- **Żarówka wymaga wymiany.**
Patrz sekcja dotycząca wymiany żarówki.

Ostrzeżenie

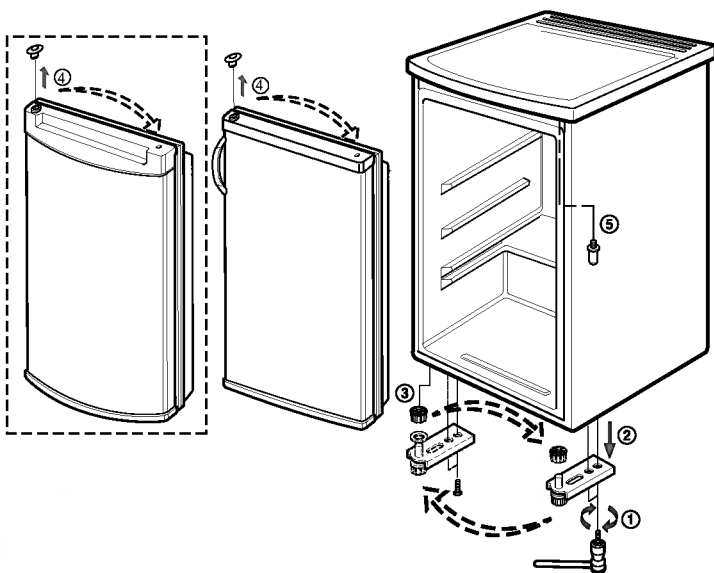
Jak przelożyć drzwi

Niniejsza zamrażarka została zaprojektowana tak, aby drzwi można było otwierać w lewo lub w prawo. Jeśli konieczna jest zmiana kierunku otwierania drzwi, najlepiej wykonać to na początku, ponieważ później może być to niewygodne.

W celu zamiany zawiasów drzwi należy postępować zgodnie z opisem i rysunkami podanymi poniżej.

1. Najpierw należy odłączyć urządzenie od zasilania.
2. Wyjąć żywność i wyposażenie, jak półki lub tacki, które nie jest zamocowane na stałe wewnątrz chłodziarki.
3. Ostrożnie położyć urządzenie na miękkim, podobnym do poduszki, materiale, aby uniknąć uszkodzenia obwodu chłodniczego.
4. Do wkręcania i wykręcania śrub używać śrubokręta krzyżowego lub kluczy.

1. Odkręcić 2 wkręty (1), zdjąć zawias (L) (2).
2. Odłączyć nóżkę (3).
3. Ostrożnie pociągnąć drzwi w dół i je zdjąć.
4. Przed ponownym montażem drzwi przelożyć zaślepkę (4) wyjmując ją z obecnego miejsca i montując po drugiej stronie drzwi. Podczas wyjmowania zaślepki należy uważać, aby nie uszkodzić przylegających powierzchni.
5. Odkręcić sworzeń zawiasu górnego (U) (5) i wkręcić go w otwór po przeciwnej stronie.



Jak przełożyć drzwi

6. Po założeniu drzwi za pomocą 2 wkrętów dokręcić po przeciwnej stronie zawias dolny (L).
7. Zamocować nóżkę.
8. Ostrożnie ustawić urządzenie w pozycji pionowej. Wyregulować nóżki poziomujące upewniając się, że urządzenie jest stabilne, a drzwi otwierają się i zamykają prawidłowo.

UWAGA

Po przełożeniu drzwi na drugą stronę, gdy zostaną one zamknięte z nadmierną siłą może się zdarzyć, że nie zamykają się one na skutek działania siły reakcji. Należy się upewnić, że drzwi zamykają się prawidłowo.

Uchwyt drzwi(Option)

