



یخچال فریزر

دفترچه راهنمای مالک

لطفا

این دفترچه را قبل از استفاده بطور کامل
بخوانید و آن را برای ارجاع
در دسترس قرار دهید.



FRIDGE-FREEZER

User's Guide

Please read this User's Guide carefully before operating and keep it handy for reference at all times.



Table of Contents

Introduction

Registration	4
Important Safety Instruction	4
Identification of Parts	6

Installation

Installation	7
Starting	7

Operation

Temperature Control	8
Quick Freeze	8
Vacation	9
Self Test	9
Door Alarm	9
Ice Making	9
Defrosting	9
Water Dispenser	10

Suggestion On Food storage

Storing Food	12
--------------	----

Care and Maintenance

General Information	13
Lamp Replacement	13
Cleaning	14

Trouble Shooting

Trouble Shooting	16
------------------	----

To Reverse the Doors

Precaution	18
How to Reverse the Doors	18

Introduction

Registration

The model and serial number are found on the rear of this unit. This number is unique to this unit and not available to others. You should record requested information here and retain this guide as a permanent record of your purchase. Staple your receipt here.

Date of Purchase : _____
Dealer Purchased From : _____
Dealer Address : _____
Dealer Phone No. : _____
Model No. : _____
Serial No. : _____

Precaution

Important Safety Instruction

This fridge-freezer must be properly installed and located in accordance with the Installation Instruction before it is used.

Never unplug your fridge-freezer by pulling on the power cord. Always grip plug firmly and pull straight out from the outlet.

When moving your appliance away from the wall, be careful not to roll over or damage the power cord.

After your fridge-freezer is in operation, do not touch the cold surfaces in the freezer compartment, particularly when hands are damp or wet. Skin may adhere to these extremely cold surfaces.

Important Safety Instruction

Precaution

Pull out the power plug prior to cleaning the fridge-freezer. Never damage, severely bend, pull out, or twist the power cord because power cord damage may cause a fire or electronic shock.

Never place glass products in the freezer because they may be broken when their inner contents are frozen.

Do not modify or extend the Power Cord length

It will cause electric shock or fire.



Don't Use an Extension Cord

If possible, connect the fridge-freezer to its own individual electrical outlet to prevent it and other appliances or household lights from causing an overload.

Accessibility of Supply Plug

The supply plug of the refrigerator-freezer should be placed in easy accessible position for quick disconnection in emergency.

Supply Cord Replacement

If the supply cord is damaged, it must be replaced by the manufacturer or its service agent or a similarly qualified person in order to avoid a hazard.

Danger

Risk of child entrapment.

Before you throw away your old refrigerator or freezer:

Take off the doors.

Leave the shelves in place so that children may not easily climb inside.

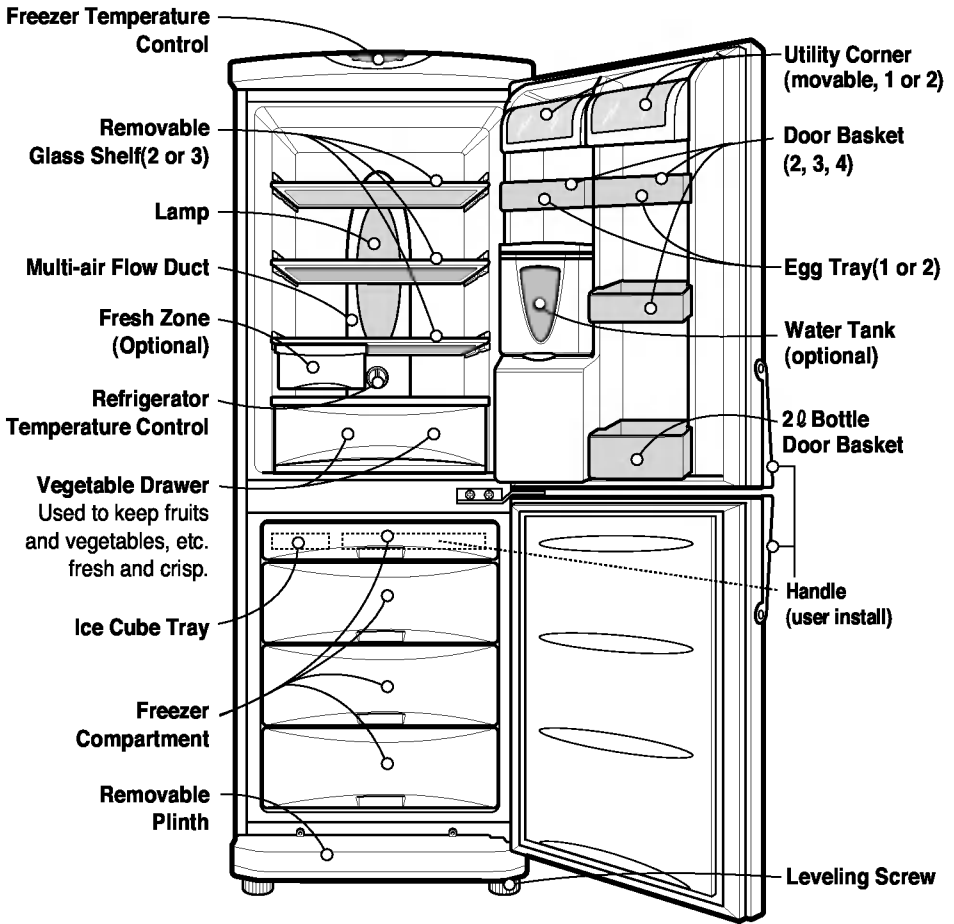
Don't store

Don't store or use gasoline or other flammable vapors and liquids in the vicinity of this or any other appliance.

Grounding (Earthing)

In the event of an electric short circuit, grounding (earthing) reduces the risk of electric shock by providing an escape wire for the electric current. In order to prevent possible electric shock, this appliance must be grounded. Improper use of the grounding plug can result in an electric shock. Consult a qualified electrician or service person if the grounding instructions are not completely understood, or if you have doubts on whether the appliance is properly grounded.

Identification of Parts



NOTE

If you found some parts missing from your unit, they may be parts only used in other models.

Installation

1. Select a good location.
Place your fridge-freezer where it is easy to use.
2. Avoid placing the unit near heat sources, direct sunlight or moisture.
3. There must be proper air circulation around your fridge-freezer to keep it operating efficiently.
4. To avoid vibration, the unit must be leveled.
If required, adjust the leveling screws to compensate for the uneven floor.
The front should be slightly higher than the rear to aid in door closing.
Leveling screws can be turned easily by tipping the cabinet slightly.
Turn the leveling screws counterclockwise(↺) to raise the unit, clockwise(↻) to lower it.
5. Clean your fridge-freezer thoroughly and wipe off all dust accumulated during shipping.
6. Install accessories such as ice cube box, etc., in their proper places. They are packed together to prevent possible damage during shipment.
7. Connect the power supply cord (or plug) to the outlet.
Don't double up with other appliances on the same outlet.
8. To ensure proper air circulation around the fridge - freezer, please maintain sufficient space on both the sides as well as top and maintain at least 2 inches (5 cm) from the rear wall.

Starting

When your fridge-freezer is installed, allow it 2-3 hours to stabilize at normal operating temperature prior to filling it with fresh or frozen foods.

If power plug is disconnected, allow 5 minutes delay before restarting.

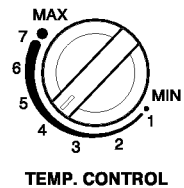
Your fridge-freezer is now ready for use.

Temperature Control

Your fridge-freezer has two controls that let you regulate the temperature in the fridge and freezer compartments.

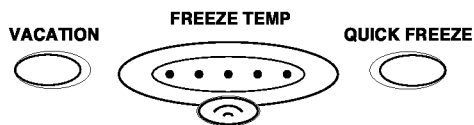
Fridge

- Initially set the TEMP. CONTROL at "4". Then adjust the compartment temperature according to your desire.
- If you want an inside temperature slightly less cold or colder, turn the knob towards MIN or MAX, respectively. When the surrounding temperature is low, adjust the TEMP. CONTROL 'MIN'.



Freezer

- Freezer temperature control is on the top of the fridge-freezer. Initially set the Freeze Temp at mid-point. By pressing the Freezer Temp button, you can adjust the temperature of the Freezer as indicated by the numbers of lamps lit. (the setting is composed of five steps, 5 lamps lit indicates coldest.)
- When you starting the Fridge-Freezer or connecting the power plug to the outlet, temperature setting is automatically set to the mid-point.



Quick Freeze

- This function is used when you want to freeze the foods quickly. Press the 'QUICK FREEZE' button once, and then the quick freeze operation starts with the lamp lit. The quick freeze operation takes about 3 hours. When its operation ends, it automatically returns to the normal state. If you want to stop the quick freeze operation, press the 'QUICK FREEZE' button once more, the lamp goes out, and the quick freeze operation stops and the refrigerator returns to the normal state.



Vacation

This function makes the fridge-freezer work in a power saving mode which is useful for when you are away on holiday, by reducing energy consumption as much as possible.

Pressing 'VACATION' starts operation with lamp ON and pressing it again stops the operation.

For better functioning, you should set the TEMP. CONTROL to "MIN".



Self Test

This function allows you to check for operational problems. If you think you have a problem with your fridge-freezer, then press the temperature control button:

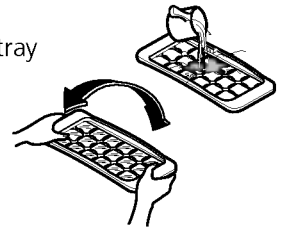
- If the indicate lights move up or down, then there is no problem with your fridge-freezer.
- If the indicate lights do not move up or down, then please leave the power connected and call your nearest service agent.

Door Alarm

When the door of the fridge is left opened for a while, the alarm sounds.

Ice Making

- To make ice cubes, fill the ice tray to the water level and place it in the freezer.
- If ice cubes are required fast, press the 'QUICK FREEZE' button.



- To remove ice cubes, hold the tray at its ends and twist gently.

Tip

To remove ice cubes easily, run water on the tray before twisting.

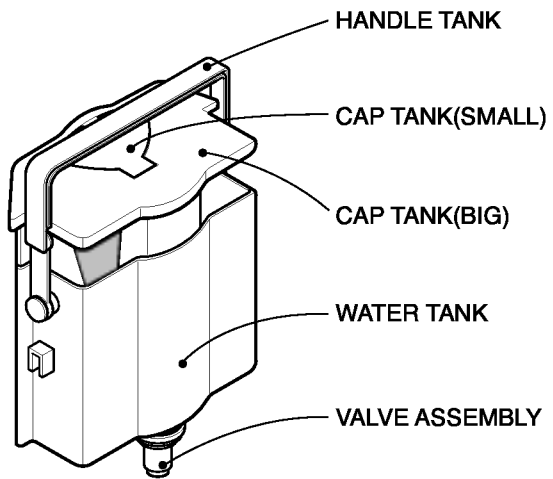
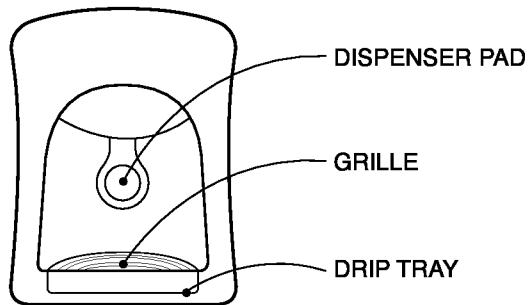
Defrosting

Defrosting takes place automatically.

The defrosting water flows down to the evaporating tray and is evaporated automatically.

Water Dispenser (optional)

Features



Install

Please assemble the VALVE ASSEMBLY after correctly adjusting it with a DOOR HOLE.

Filling of WATER TANK

1. After turning the HANDLE Tank backward with the WATER TANK installed at the DOOR, Open the CAP TANK (SMALL) and then fill water using a kettle etc.
 - * Fill water while watching a sight glass on the front of the WATER TANK.
 - * Water up to 4.5l can be filled.
2. Press and fix the CAP TANK(SMALL).
3. After filling spring water, fix the HANDLE TANK at a proper position.

Drinking

1. Press the Dispenser Pad with a cup.
2. If pressing the Pad, water inside of the Dispenser is supplied.
3. If slowly removing a cup from the Pad, water will not fall down.

Caution

Do not use other beverage (milk, juice, carbonated beverage etc) than spring water. Especially beverage including grain must not be used (may result in failure).

Storing Food

- Do not store food which goes bad easily at low temperature, such as banana, and melon.
- Allow hot food to cool prior to storing. Placing hot food in the fridge-freezer could spoil other food, and lead to higher electric bills.
- When storing the food, use a container with a lid. This prevents moisture from evaporating, and helps food to keep its taste and nutrients.
- Do not block air vents with food. Smooth circulation of cold air keeps fridge-freezer temperature even.
- Do not open the door frequently. Opening the door lets warm air enter the fridge-freezer, and cause temperature to rise.
- To adjust the temperature control easily, do not store food near the temperature control dial.
- Never keep too many foods in door rack, as this may stop the door from fully closing.
- Do not store bottles in the freezer compartment - they may break when frozen.
- Do not refreeze food that has been thawed. This causes loss of taste and nutrition.

NOTE

If you keep the fridge-freezer in a hot, and humid place, frequently open its door or put a lot of vegetables in it, dew may form in it, which has no effect on its performance.
Remove the dew with dust cloth free from care.

General Information

Power Failure

- 1~2 hour power failure does no harm to the foods stores. Try to avoid opening and closing the door too frequently.

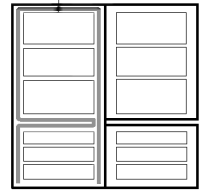
If You Move

- Take out foods from the fridge-freezer and firmly fix the loose items with tape.
- Turn the leveling screws until they stop before moving the fridge-freezer. Otherwise the screw may scratch the floor or the fridge-freezer cannot move.

Anti Condensation Pipe

- The Anti-Condensation pipe is installed around the front side of fridge-freezer as well as on the partition between fridge compartment and freezer compartment to prevent dewing.
- Especially after installation or when ambient temperature is high, the fridge-freezer may feel hot, which is quite normal.

Anti-Condensation Pipe



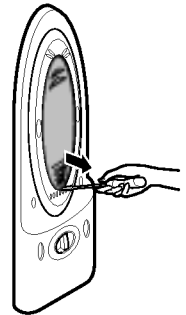
Lamp Replacement

1. Unplug the power cord from the outlet.
2. Remove fridge shelves.
3. To remove the lamp cover, insert \rightarrow type driver in the underside of the lamp cover and pull it out forwards.

4. Turn the lamp counterclockwise.
5. Assemble in reverse order of disassembly.

Replacement lamp must be the same specification as original.

- You must check the O-RING, which is made by rubber and prevent electric spark.



Cleaning

Before Cleaning

Be sure to unplug the power.

Exterior

Clean the outside of the fridge-freezer with a soft cloth soaked with hot water or liquid detergent. If you use a detergent, be sure to wipe it with a clean wet cloth.

Interior

As above.

After Cleaning

Check that the power cord is not damaged, power plug has not overheated, and that the power plug is tightly inserted into the outlet.

▲ Warning

Be sure to dry the appliance with a cloth after washing it with water.

Do not use abrasive, petroleum, benzene, thinner, hydrochloride acid, boiling water, rough brush, etc, as they may damage parts of the fridge-freezer.

Disposal of the old appliance

This appliance contains fluid (refrigerant, lubricant) and is made of parts and materials which are reusable and/or recyclable.

All the important materials should be sent to the collection center of waste material and can be reused after rework (recycling). For take back, please contact with the local agency.

GRILLE and DRIP TRAY

1. After removing the HOLE part of the GRILLE with the finger, slowly pull the DRIP TRAY out.
2. After discharging Drip Water inside of the DRIP TRAY, clean and fully rinse the GRILLE and the DRIP TRAY.
3. Wipe moisture out around the DOOR part and the DRIP TRAY using a clean cloth.

Exterior Dispenser

Wipe moisture etc out outside of Dispenser and on the Dispenser Pad using a cloth.

Water Tank

1. Lift the WATER TANK up by pressing the fixing LEVER on the bottom of WATER TANK and then remove it.
2. After removing the CAP TANK (BIG), clean and fully rinse the inside/outside part of the WATER TANK by using neutral cleansing agent.

Cap Tank(Big & Small)

Clean and fully rinse the Cap Tank (Big & Small) by using neutral cleansing agent.

Especially for the groove part of the CAP TANK, it is convenient to cleanse it by using a small brush.

Valve Assembly

Clean and fully rinse the VALVE ASSEMBLY by using a small brush. Rinse it while operating the bottom part of the valve assembly. Always fix the Sealing Rubber separated for cleansing at the existing position (may result in water leakage).

Before calling for service, check this list. It may save you both time and expense. This list includes common occurrences that are not the result of defective workmanship or materials in this appliance.

Problem

Possible Causes

Fridge-Freezer does not operate

- Power plug may be unplugged from the electric outlet.
Plug it in securely.
- House fuse has blown or circuit breaker has tripped.
Check and/or replace fuse and reset circuit breaker.
- Power cut.
Check house lights.

Fridge or Freezer Compartment Temperature too warm

- Temperature control not set on proper position.
Refer to Temperature Control section.
- Appliance is placed close to heat source.
- Warm weather-frequent door openings.
- Door left open for a long time.
- Package holding door open or blocking air duct in freezer compartment.

Vibration or Rattling or Abnormal Noise

- The floor on which the fridge-freezer is installed may be uneven or the fridge-freezer may be unstable.
Make it even by rotating the leveling screw.
- Unnecessary objects placed in the back side of the fridge-freezer.

Frost or Ice Crystals on frozen Food

- Door may have been left ajar or package holding door open.
- Too frequent or too long door openings.
- Frost within package is normal.

Moisture forms on Cabinet Surface

- This phenomenon is likely to occur in a wet space.
Wipe it with a dry towel.

Problem

Possible Causes

Moisture collects inside

- Too frequent or too long door openings.
- In humid weather, air carries moisture into fridge when doors are opened.

Fridge has odor

- Foods with strong odors should be tightly covered or wrapped.
- Check for spoiled food.
- Interior needs cleaning.
Refer to CLEANING section

Door not closing properly

- Food package is keeping door open.
Move packages that keep door from closing.
- Fridge-freezer is not level.
Adjust the leveling screws.
- The floor on which the fridge-freezer is installed may be uneven or the fridge-freezer may be unstable.
Slightly raise the front side with the leveling screw.

Interior light does not work

- No power at outlet.
- Light lamp needs replacing.
Refer to the Lamp Replacement section.

To Reverse the Doors

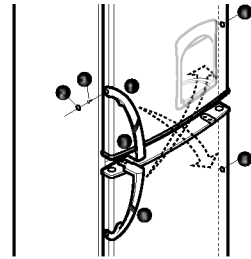
Your fridge-freezer is designed with reversible doors, so that they may open from either the left or right hand side to suit your kitchen design.

Precaution

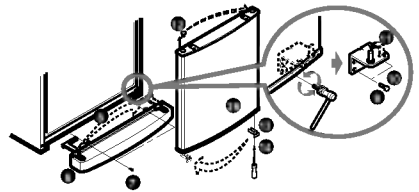
1. Before reversing the door, first of all, you should take out food and accessories like shelves or trays which are not fixed in the fridge-freezer.
2. Use Torque Wrench or Spanner to fix or remove the bolt.
3. Do not lay the fridge-freezer down. This will cause problems.
4. Be careful not to drop the doors in disassembling or assembling.

How to Reverse the Doors

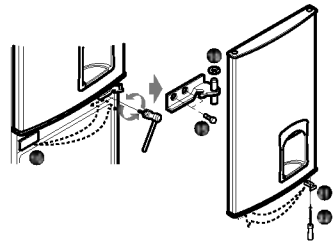
1. Remove SCREWS ③ after removing a CAP ② from the right part of the refrigerator room HANDLE ①. Remove 2 SCREWS ③ on the bottom part of the refrigerator room HANDLE ①. The freezer room HANDLE ⑤ may be also separated in the same sequence as in the refrigerator room HANDLE ①.



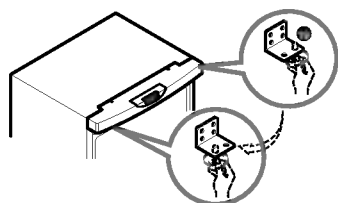
2. Remove screw ⑦ and remove Cover ⑥ and move Cap Cover ⑧. And, remove screw ⑨, Hinge-L ⑩, and remove pin ⑪. Remove the Freezer Door ⑬, and move the position of the cap ⑫. Move the position of bracket door ⑬ and screw ⑭.



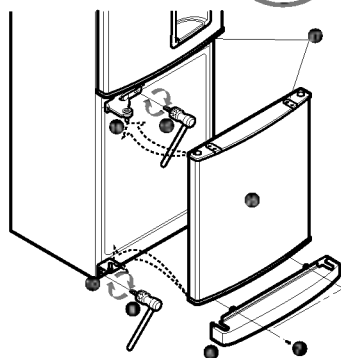
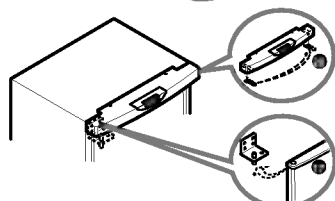
3. Remove bolt ⑮ and remove the Hinge-C ⑯ and the Fridge Door ⑰. Move the position of the cap ⑱. Move the position of bracket door ⑳ and screw ㉑.



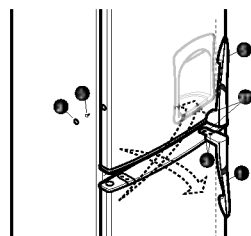
4. Move the position of Hinge-U pin 19, and Cap, Top cover 20 Assemble the Fridge Door 17 Assemble Hinge-C 16 and bolt 15 Assemble F-Door 18. Assemble the Hinge-L 10 and bolt 9. Assemble Low Cover 6 and screw 7.



5. Install HANDLES 5 installed at the existing freezer room, at the refrigerator room. Adjust the bottom part of HANDLES to the groove and then fasten 2 screws 3 after removing the CAP 17. After bolting SCREWS in the side of the refrigerator room DOOR, press and insert the CAP 2. Insert the CAP 4 to hole which the HANDLE 1 was installed previous. The freezer room HANDLES 1 are assembled in the same manner as above using the existing.



6. Stop the groom where the existing HANDLE 1, 5 was installed at by using the CAP 17 removed in the initial installation.



Note

Reversing the doors is not covered by the warranty.

جدول مضامين

4	ثبت نام	مقدمه
4	دستور العملهاي مهم ايمني	
6	تشخيص قسمتها	
7	راه اندازي	راه اندازي
7	شروع	
8	کنترل دما	عملکرد
8	يخ زدن سريع	
9	عملکرد بگمه تعطيلات	
9	تست خودکار	
9	زنگ آلام درب	
9	روش تهیه یخ	
9	آب کردن یخ و برفک	
10	توزیع کننده آب	
12	نگهداري غذا	پیشنهاداتي در زمينه نگهداري غذا
13	اطلاعات كلي	نگهداري وتعميرات
13	تعويض چراغ	
14	تميز کردن	
16	رفع نقص	رفع نقص
18	توصيه هاي اوليه	جابه جا نمودن جهت درما
18	طريقه جدا کردن درما	

ثبت نام

مقدمه

مدل و شماره ثبت در قسمت عقب دستگاه می باشد . این شماره برای هر دستگاه منحصر به فرد می باشد و یک شماره برای یک دستگاه می باشد . شما بایستی اطلاعات مورد نظر را در این قسمت ثبت کنید و این راهنما را به عنوان یک سند دائمی از خرید خود حفظ کنید . رسید خود را در اینجا بچسبانید .

تاریخ خرید دستگاه : _____

فروشنده ای که دستگاه را از او خریده اید : _____

آدرس فروشنده : _____

شماره تلفن فروشنده : _____

شماره مدل : _____

شماره سریال : _____

دستور العملهاي مهم ايني

توصیه های اولیه

این یخچال- فریزر بایستی به درستی نصب شود . آن را قبل از استفاده در محلی که در دستور العمل راه اندازی گفته شده قرار دهید .

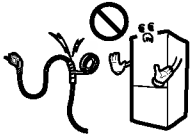
هیچگاه سیستم یخچال- فریزر را با کشیدن سیم برق آن از پریز برق جدا نکید . همیشه سیم را محکم گرفته و آن را به طور مستقیم از پریز بیرون بکشید .

هنگامی که دستگاه را از دیوار جدا می کنید ؛ مواظب باشید که آن را روی سیم نکشید یا به آن صدمه نزنید .

بعد از راه اندازی یخچال- فریزر سطوح سرد داخل فریزر را دست نکشید ؛ به خصوص وقتی که دستتان خیس یا مرطوب می باشد . پوست دست شما ممکن است به این سطوح خیلی سرد بچسبد .

دستور العمل مهم ایمنی

سیم برق را قبل از تمیز کردن بچخال- فریزر از پریز بکشید. همواره مراقب سیم برق باشید؛ آن را خم نکنید؛ نکشید یا نچرخانید زیرا که صدمه به سیم برق ممکن است باعث آتش سوزی یا شوک الکتریکی شود. هیچگاه ظروف شیشه ای را در فریزر نگذارید زیرا در هنگامی که محتویات داخل آن در حال یخ زدن است؛ ممکن است بشکند.



این کار احتمال بروز آتش سوزی و یا برق گرفتگی را به همراه خواهد داشت.

در صورت امکان؛ بچخال - فریزر را به پریز برقی که منحصرًا برای همین دستگاه است وصل کنید تا از اضافه بار برای این دستگاه؛ دیگر وسائل برقی یا برق خانه جلوگیری شود.

پریز برق بچخال- فریزر بایستی در جای نزدیکی باشد تا در مواقع اضطراری دستگاه را به سرعت از پریز جدا کرد.

در صورتی که سیم برق آسیب ببیند؛ بایستی تولیدکننده یا عامل سرویس و یا شخص معتبری را خبر کرد تا از یک خطر جدی جلوگیری کند.

خطر گیر افتادن بچه در داخل دستگاه.
قبل از به دور انداختن بچخال کهنه و قدیمی؛
درها را از آن جدا کنید.
قفسه ها را در حالی قرار دهید که بچه ها به راحتی از آن بالا نروند.

نفت و سایر گازها و مایعات قابل اشتعال را در نزدیکی این دستگاه قرار نداده و یا نگهداری نکنید.

در صورتی که مدار برقی کوتاه باشد؛ سیم ارت خطر شوک الکتریکی را با ایجاد یک سیم اضافی برای جریان برق کاهش می دهد. جهت جلوگیری از خطر برق گرفتگی احتمالی این وسیله بایستی به زمین متصل گردد.
استفاده نادرست از سیم ارت ممکن است منجر به برق گرفتگی شود. بایک متخصص برق معتبر یا سرویس کار مشورت کنید. اگر که دستور العملهای ارتباط با زمین را درست نفهمیدید و یا اینکه از ارتباط با زمین دستگاه خود اطمینان ندارید.

توصیه های اولیه

از دستکاری و یا افزایش طولی سیم برق خوددار
ی فرمائید

از سیم رابط
استفاده نکنید

نزدیک بودن دستگاه
به پریز برق

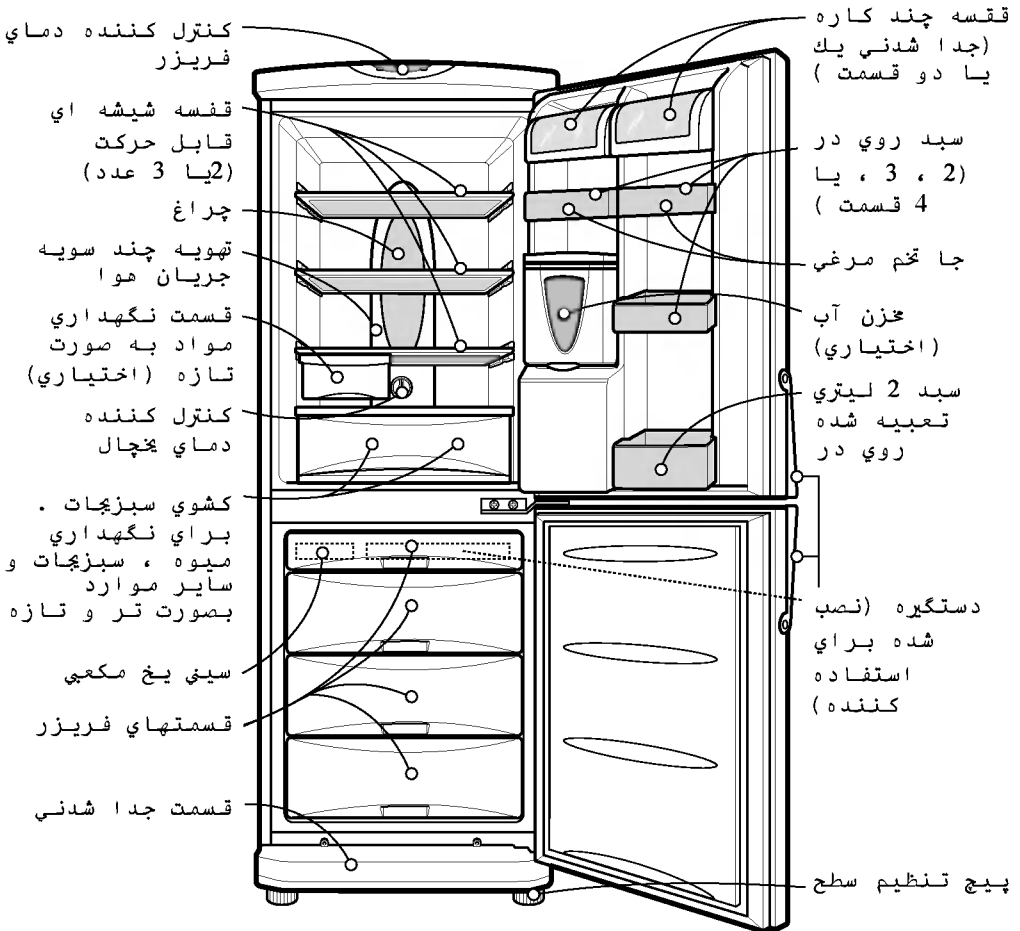
تعویض سیم برق

خطر

بپر هیزید

سیم ارت

تشخیص قسمت‌ها



چنانکه قسمتی از دستگاه روی آن نصب نشده است؛
ممکن است آن بخشهایی باشد که فقط در دیگر مدلها استفاده شده است.

نکته

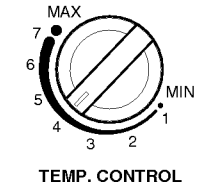
1. جای مناسبی را انتخاب کنید .
 یخچال - فریزر را در جایی که برای استفاده راحت تر قرار دهید .
2. از گذاشتن دستگاه در کنار منبع حرارتی ؛ نور مستقیم خورشید یا رطوبت خودداری کنید .
3. بایستی در اطراف یخچال - فریزر جریان هوای مناسب باشد تا به درستی کار کند .
4. برای جلوگیری از لغزش؛ دستگاه بایستی صاف باشد .
 در صورت نیاز؛ پیچهای تنظیم سطح را تنظیم کنید تا جبران سطح نامنوار شود . پیچهای تنظیم سطح را عکس حرکت عقربه های ساعت (⌚) بچرخانید تا ارتفاع را زیاد کنید و برای کم کردن ارتفاع در جهت عقربه های ساعت (⌚) آنها را بچرخانید .
5. یخچال - فریزر را کاملاً تمییز کنید و کلیه گرد و خاک آنرا که حین تحویل کالا جمع شده را پاک نمائید .
6. متعلقات دستگاه از جمله جعبه یخ تکه ای و غیره را در جای خود قرار دهید . آنها را با هم بسته بندی کرده اند تا از صدمات احتمالی کالا حین بار گیری کالا جلوگیری شود.
7. سیم برق را به پریز وصل کنید . دو وسیله برقی را به یک پریز وصل نکنید .
8. جهت اطمینان از گردش مناسب هوا در محفظه فریزر، فضای لازم و کافی را در هر دو سوی محفظه و همچنین در قسمت بالایی آن در نظر گرفته و حداقل ۲ اینچ (۵ سانتی متر) فاصله نیز از دیوار عقب لحاظ فرمائید.

شروع

هنگامیکه یخچال - فریزر شما نصب شد بگذارید دستگاه شما 2 یا 3 ساعت قبل از پر کردن آن با غذاهای تازه و یخ زده در دمای معمولی کار کند .
 اگر سیم برق جدا شده است ؛ قبل از وصل مجدد به برق 5 دقیقه تامل کنید .
 یخچال - فریزر شما اکنون آماده استفاده است .

کنترل کننده دما

یخچال فریزر شما دو کنترل کننده دارد که به شما این امکان را می دهد تا دما را در قسمتهای یخچال یا فریزر تنظیم کنید.

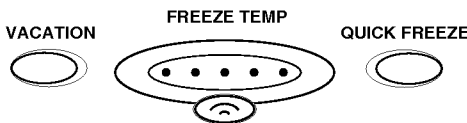


- در ابتدا کنترل کننده دما را روی عدد 4 قرار دهید. بعداً آن را مطابق میل خود تنظیم کنید.
- چنانچه دمای نسبتاً سرد کمتری سرد تری مد نظر دارید، دکمه رابه ترتیب به سمت MIN یا MAX بچرخانید. زمانی که دمای محیط کم می باشد کنترل کننده دما را روی MIN تنظیم کنید.

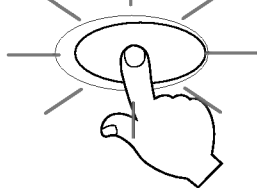
یخچال

- کنترل کننده دمای فریزر در قسمت بالای آن تعبیه شده است. در ابتدا دمای فریزر را بر نقطه وسط قرار دهید. با فشار دادن دکمه تنظیم دما، می توانید دمای فریزر را آنگونه که تعداد روشن خاموش شدن چراغ مشخص می کند، تنظیم کنید. (این وضعیت شامل 5 مرحله می شود که 5 روشن خاموش شدن بیانگر سرد ترین درجه می باشد).
- زمانی که یخچال فریزر شروع به کار کرد یا اینکه آن را به برق وصل می کنید، وضعیت تنظیم کننده دما بطور خود کار بر روی نقطه وسط تنظیم می شود.

فریزر



QUICK FREEZE



- از این حالت زمانی استفاده می شود که بخواهید غذاها را به سرعت منجمد کنید. دکمه "انجماد سریع" را فشار دهید، سپس مرحله انجماد سریع با روشن و خاموش شدن چراغ شروع می گردد.
- مرحله انجماد سریع حدود 3 ساعت طول می کشد. زمانی که این مرحله اتمام پذیرد، به طور خود کار به مرحله عادی بر می گردد.
- اگر می خواهید انجماد سریع را متوقف سازید، دکمه "انجماد سریع" را یک بار دیگر فشار دهید، چراغ خاموش خواهد شد، انجماد سریع متوقف می گردد و یخچال به حالت عادی بر می گردد.

یخ زدن سریع

این عملکرد باعث کارکرد یخچال فریزر در حالت صرفه جویی صرف نیروی برق گشته که در زمان عزیمت شما به مسافرت بسیار مفید بوده و باعث کاهش بهینه مصرف برق می گردد .



یکبار فشار دکمه عملکرد تعطیلات "Vacation" باعث روشن شدن چراغ و فعال شدن عملکرد آن گشته و فشار مجدد باعث غیر فعال شدن این عملکرد می گردد .

جهت دستیابی به عملکرد بهینه دستگاه ، می باید کنترل دما را در حالت حداقل "Min" قرار دهید .

این امکان شما را قادر به چک مشکلات به وجود آمده در عملکرد دستگاه می نماید ، چنانچه تصور می کنید که در روند فعالیت دستگاه مشکلی به وجود آمده است ، دکمه کنترل دما را فشار دهید :

- در صورت روشن شدن چراغ نمایشگر و حرکت به سمت بالا یا پائین ، مشکلی در کارکرد دستگاه وجود نخواهد داشت .
- در صورت عدم حرکت چراغ نمایشگر به سمت بالا و یا پائین ، بدون قطع نمودن برق دستگاه با نزدیکترین مرکز سرویس تماس حاصل فرمائید .

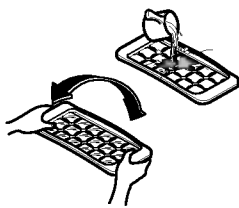
در صورت باز ماندن درب یخچال ، پس از مدت زمانی زنگ آلام بصدا در خواهد آمد.

عملکرد دکمه تعطیلات

تست خودکار

زنگ آلام درب

روش تهیه یخ



- جهت تهیه قالبهای یخ ، ظرف مربوطه را تا نشان سطح آب پر کرده و در فریزر قرار دهید .
- در صورت نیاز سریع به قالب یخ ، دکمه فریزر سریع "QUICK FREEZER" را فشار دهید .
- جهت خارج کردن قالبهای یخ ، دو سر ظرف را گرفته و کمی سر آن را بتابانید .

جهت خارج کردن آسانتر قالبهای یخ ، ابتدا روی ظرف یخ را آب بریزید .

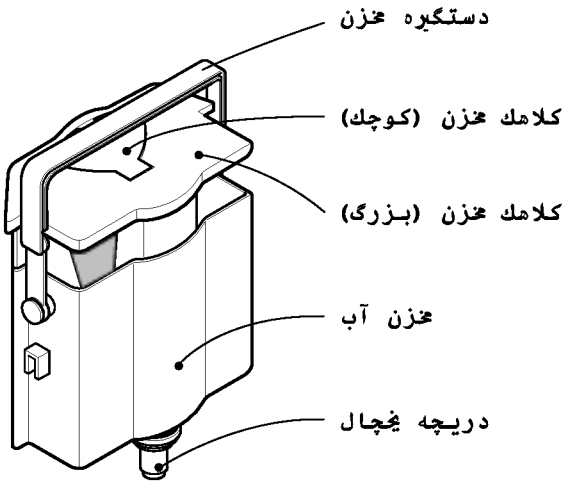
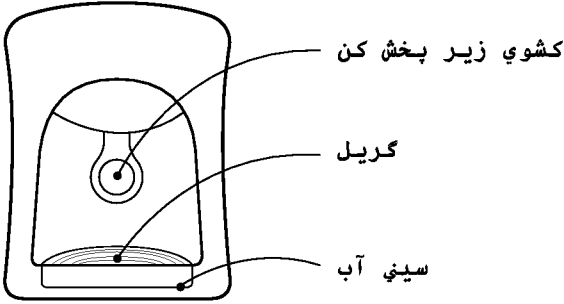
توجه

آب کردن یخ و برفک

عمل آب کردن یخ و برفک در این دستگاه بطور اتوماتیک انجام می پذیرد . آب حاصل از برفک و یخها به سمت سینی تبخیر روان گشته و از آنجا بطور خودکار تبخیر می گردد .

توزیع کننده آب (اختیاری)

مشخصه ها



لطفاً دریچه یخچال را پس از تنظیم صحیح آن با سوراخ در، نصب نمایید.

نصب

پر کردن مخزن آب

1. بعد از چرخاندن دسته مخزن به سمت عقب در حالی که مخزن آب به در نصب شده، کلاهک مخزن کوچک را باز کنید سپس با استفاده از کتری آن را با آب پر کنید.
* در حالی که مواظب آب نمایی هستید که در جلوی مخزن آب گذاشته اید آب را بریزید.
* مخزن آب را می توان تا 4.5 لیتر از آب پر کرد.
2. کلاهک مخزن کوچک را فشار داده محکم کنید.
3. بعد از پر کردن آب، دسته مخزن را در جای خود قرار دهید.

نوشیدن آب

1. کشوی زیر پخش کن را با یک فنجان فشار دهید.
2. در صورت فشار آوردن به کشو، آب برای مصرف تا مین می گردد.
3. اگر فنجان را به آمستگی از کشو جدا سازید، آب جاری نخواهد شد.

میچ نوشیدنی دیگری (مثل شیر، آب میوه، نوشیدنی گاز دار و غیره) بجز آب معدنی

مشاور

نگهداری مواد غذایی

- غذاهای سریع الفساد نظیر موز و خربزه را در دمای پایین نگهداری نکنید.
- پیش از ذخیره سازی، اجازه دهید مواد غذایی ایی داغ خنک شوند. قرار دادن مواد غذایی داغ در یخچال_ فریزر باعث فساد مواد غذایی دیگر شده و منجر به صرف هزینه های اضافی برق میشود.
- هنگام ذخیره سازی مواد غذایی از ظروف در دار استفاده کنید. اینکار مانع از بخار شدن رطوبت غذا و حفظ طعم و خاصیت آن می شود
- مراقب باشید منافذ هوا بوسیله مواد غذایی مسدود نشود. جریان هوای سرد دمای یخچال_ فریزر را متناسب نگه می دارد.
- زیاد در یخچال را باز وبسته نکنید. این کار باعث ورود هوای گرم به داخل یخچال شده و حرارت آن را بالا می برد.
- برای اینکه تنظیم دمای یخچال راحت صورت بگیرد، مواد غذایی را نزدیک عقربه تنظیم دما قرار ندهید.
- طبقات رویی در یخچال را خیلی با مواد غذایی پر نکنید چون ممکن است مانع از بسته شدن کامل در شود.
- بطری ها را داخل فریزر قرار ندهید چون ممکن است پس از یخ زدن بشکنند.
- غذاهایی را که از حالت انجماد خارج کرده اید دوباره داخل فریزر قرار ندهید چون اینکار باعث از بین رفتن طعم و خواص مواد غذایی می شود.

اگر یخچال_ فریزر را در جای گرم و مرطوب قرار دهید، در آن را زیاد باز وبسته کنید یا سبزیجات زیادی روی آن قرار دهید، ممکن است داخل آن قطرات آب تشکیل شود که تاثیری روی کار آن ندارد. قطرات آب را با یک دستمال به راحتی پاک کنید.

نکته

اطلاعات کلی قطع برق

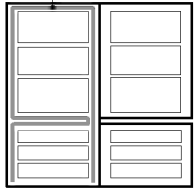
قطع برق

هنگام جابه جایی

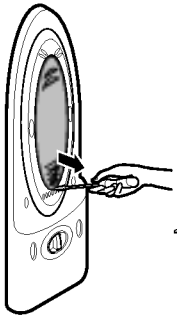
لوله ضد میعان

- قطع برق به مدت 1 تا 2 ساعت آسیبی به مواد غذایی موجود در یخچال نمی رساند. سعی کنید در این مدت زیاد در یخچال را باز و بسته نکنید.
- مواد غذایی را از داخل یخچال- فریزر خارج نموده و قسمتهای قابل حرکت آن را محکم با نوار ببندید.
- قبل از حرکت دادن یخچال- فریزر، پیچ های تراز را آنقدر بپیچید تا کاملاً از سطح جدا شود. در غیر اینصورت ممکن است باعث خراشیدگی کف زمین و یا مانع حرکت دادن یخچال شود.

- لوله ضد میعان برای جلوگیری از تشکیل رطوبت، در اطراف جدار جلویی یخچال- فریزر و همچنین جدار بین دو قسمت یخچال و فریزر تعبیه می شود.
- بلافاصله پس از به کار انداختن یخچال و یا زمانی که حرارت محیط بالاست، یخچال - فریزر ممکن است داغ کند که این امری طبیعی است.



تعویض لامپ



1. پریز یخچال را از برق بکشید.
 2. طبقات یخچال را جدا کنید.
 3. برای خارج کردن درپوش لامپ، وسیله مخصوص این کار را که به شکل \ominus است در قسمت زیر درپوش لامپ قرار داده و آنرا به سمت بیرون بکشید.
 4. لامپ را خلاف جهت عقربه های ساعت بپیچانید.
 5. برای بستن لامپ جدید عکس حرکت بالا را انجام دهید.
- لامپ جایگزین شده باید دقیقاً مشابه نمونه اصلی باشد.
- اطمینان حاصل نمایید که لامپ جدید نیز دارای حلقه لاستیکی برای جلوگیری از برق گرفتگی هست.

تمیز کردن

مطمئن شوید که پریز را از برق کشیده اید.

بیرون بچال را با پارچه ای نرم آغشته به آب داغ یا مایع پاک کننده تمیز کنید. اگر از مواد شوینده استفاده میکنید، حتما آنرا با یک پارچه تم دار پاک کنید.

مانند بالا عمل کنید.

اطمینان حاصل کنید که سیم برق آسیب ندیده باشد، پریز بیش از حد داغ نشده و کاملاً در کلید برق قرار بگیرد.

پس از شستن بچال با آب حتماً آنرا خشک کنید.

برای تمیز کردن بچال از مواد ساینده، برسهای زبر، آب جوش، اسید هیدروکلرید، تینر بنزین و نفت استفاده نکنید چون ممکن است باعث آسیب قسمتهای مختلف آن شود.

نکاتی قبل از تمیز کردن

قسمتهای بیرونی بچال

قسمتهای داخلی بچال

پس از تمیز کردن

⚠ هشدار

رسمی الجهاز القديم

هذا الجهاز يحتوي على السائل (مادة التبريد ، زيت التشحيم) ومصنوع من الأجزاء والمواد القابلة لإعادة استخدامها و/أو إعادة دورتها. جميع المواد الهامة لا بد من إرسالها الى مركز جمع النفايات ويمكن إعادة استخدامها بعد إعادة عملها (إعادة دورتها). ومن أجل الرمي ، يرجى الاتصال بالوكيل المحلي.

1. پس از جا به جايي فرورفتگي گريل با انگشت ، سيني آب را به آرامي بيرون بکشيد.
2. پس از تخلیه آب داخل سيني، گريل وسيني را كاملا شسته و تمیز کنید.
3. رطوبت اطراف سيني و در يخچال را با استفاده از پارچه اي تمیز كاملا خشك کنید.

با استفاده از يك پارچه رطوبت سطح خارجي مخزن پخش كن و كشوي آن را تمیز کنید.

1. با فشار دادن اهم ثابت پايين مخزن آب ، آنرا بلند کرده و بيرون بکشيد.
2. پس از خارج نمودن كلاهك مخزن بزرگ، قسمت داخلي و خارجي مخزن آب را با استفاده از شوينده هاي خنثي شسته و آبكشي نماييد.

با استفاده از مواد شوينده خنثي كلاهك مخزن (کوچک و بزرگ) را كاملا شسته و آبكشي نماييد. بهتر است شيارهاي كلاهك مخزن را با استفاده از يك بورس کوچک تمیز کنید.

در حاليكه قسمت پايين دريچه يخچال كار ميكند آنرا با استفاده از يك بورس كاملا تمیز کنید. لاستيك هاي درزگير را كه براي تمیز كردن خارج نموده ايد دوباره در جاي خود ثابت کنید (در غير اين صورت ممكن است باعث نشت آب شود).

**گريل (ميله
فلزي) وسيني آب**

**مخزن پخش كن
بيروني**

مخزن آب

**كلاهك مخزن
(بزرگ و کوچک)**

دريچه يخچال

- قبل از اقدام به تماس با مراکز سرویس ، لیست زیر را چک فرمائید .
- این کار باعث صرفه جویی در وقت و هزینه شما خواهد شد .
- این لیست شامل مواردی می باشد که مکررا اتفاق افتاده و بروز آنها ناشی از عملکرد نادرست سرویسکار یا قطعات مورد استفاده در دستگاه نمی باشد .

دلایل به وجود آمدن اشکال

- دوشاخه ممکن است از پریز خارج شده باشد .
- دوشاخه را در پریز محکم فرمائید .
- فیوز برق خانه سوخته و یا کلید برق مینیاتوری سوخته است .
- فیوز را چک و جایگزین کرده و و کلید را به حالت اولیه برگردانید .
- برق قطع شده است .
- چراغهای منزل را چک نمائید .
- کنترل دما در وضعیت صحیح تنظیم نشده است .
- به قسمت تنظیم کنترل دما مراجعه فرمائید .
- محل استقرار دستگاه نزدیک لوازم گرمازا می باشد .
- گرمای بیش از اندازه محیط – باز شدن مکرر درب دستگاه .
- درب دستگاه برای مدت زیادی باز مانده است .
- باز ماندن درب دستگاه بر اثر فشار محتویات داخل دستگاه یا بسته شدن لوله هوای سرد محفظه فریزر .
- زمین محل استقرار دستگاه ناهموار بوده و یا دستگاه در جای خود محکم نیست .
- با استفاده از پیچهای تراز دستگاه آن را ثابت نمائید .
- اشیاء غیر ضروری در قسمت پشت یخچال قرار داده شده اند .
- لای درب دستگاه باز مانده و یا محتویات داخل آن مانع از بسته کامل درب می گردند .
- باز و بسته شدن مکرر و طولانی مدت درب دستگاه .
- ایجاد یخ داخل محفظه نرمال می باشد .
- این پدیده در محیطهای مرطوب ایجاد می گردد .
- با یک حوله خشک این رطوبتها را پاک نمائید .

اشکال پیش آمده

یخچال - فریزر
کار نمی کند

دمای داخلی محفظه
یخچال یا فریزر
بالاتر از حد معمول
می باشد

لرزش یا ارتعاش با صدای
زنگ مانند و یا برخاستن
صداهای غیر عادی از
دستگاه

ایجاد بلورهای یخ و
یا یخزدگی کامل مواد
غذایی

ایجاد رطوبت در
سطح کابینت

دلایل به وجود آمدن اشکال

اشکال پیش آمده

- بازو بسته شدن زیاد در و یا باز ماندن در برای مدت طولانی
- زمانی که هوای بیرون مرطوب است، جریان هوا هنگام باز شدن در، رطوبت را وارد یخچال وارد می‌کند.
- غذاهای بو دار را باید حتماً داخل نایلون و یا ظرف در دار گذاشت.
- ممکن است غذایی داخل یخچال ریخته باشد.
- داخل یخچال را باید هر چند وقت یکبار تمیز نمود. به بخش مربوط به تمیز کردن مراجعه کنید.
- بعضی از بسته های مواد غذایی مانع از بسته شدن کامل در می شود. در اینحالت این بسته های را جابه جا کنید.
- یخچال- فریزر تراز نیست.
- پایه های آنرا تنظیم کنید.
- سطحی که یخچال- فریزر روی آن قرار گرفته ناممواست و یا اینکه یخچال - فریزر محکم روی زمین قرار نگرفته است. در اینحالت پایه جلویی آنرا کمی بالا ببرید.
- جریان برق یخچال قطع شده است.
- لامپ نیاز به تعویض دارد.
- برای اینکار به قسمت تعویض لامپ مراجعه کنید.

جمع شدن رطوبت در داخل یخچال

بوی نامطبوع یخچال

در به طور کامل بسته نمیشود

لامپ داخل یخچال کار نمیکند

جابه جا نمودن جهت درها

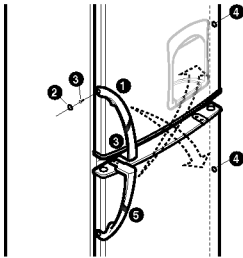
درهاي ینچال - فریزر شما به گونه اي طراحی شده که از هر دو طرف قابل باز کردن است، یعنی بر اساس طراحی آشپزخانه شما هم از سمت راست باز می شود و هم از سمت چپ.

توصیه های اولیه

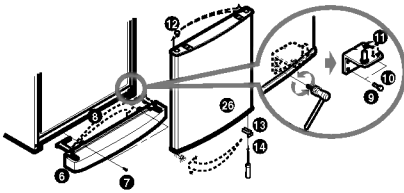
1. پیش از جابه جایی جهت در ینچال ، ابتدا مواد غذایی و کلیه لوازم فرعی داخل ینچال نظیر طبقات و سینی های متحرک را، خارج نمایید.
2. برای باز و بسته کردن پیچ ها از آچار مخصوص استفاده کنید.
3. ینچال - فریزر را روی زمین ن خوابانید. ممکن است مشکل ایجاد کند.
4. هنگام جابه جا کردن در مراقب باشید آنرا نیندازید.

طریقه جدا کردن درها

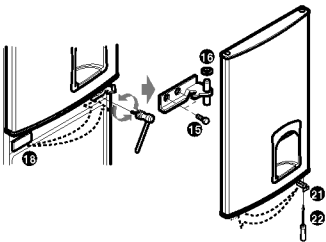
1. پس از خارج نمودن کلامک شماره 2 از سمت راست دستگیره ینچال یعنی شماره 1، پیچهای شماره 3 را باز کنید. پیچ های شماره 3 را از قسمت پایین دستگیره شماره 1 باز کنید. دستگیره فریزر یعنی شماره 5 را نیز به همین ترتیب مانند دستگیره ینچال شماره 1 میتوان جدا نمود.

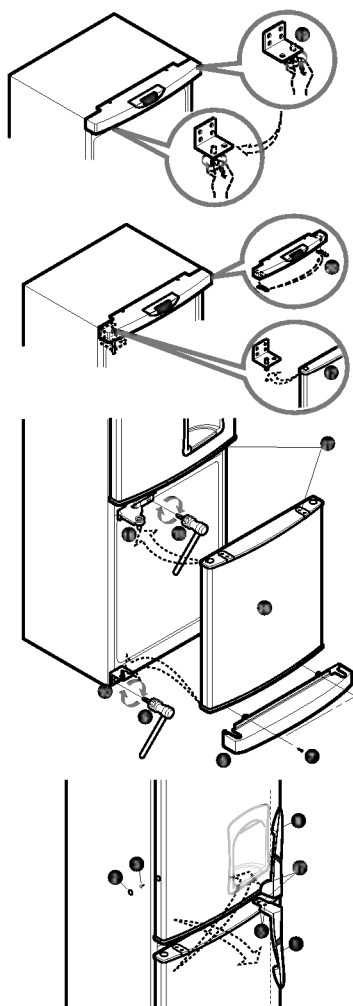


2. به این ترتیب عمل کنید. پیچ شماره 7، سرپوش شماره 6 و کلامک شماره 8، پیچ شماره 9، لولای L شکل شماره 10، گیره شماره 11 را باز کرده و در فریزر شماره 26 را جابه جا کنید. کلامک شماره 12، در بازویی شماره 13 و پیچ شماره 14 را جابه جا کنید.



3. قفل شماره 15، لولای C شکل شماره 16 و در شماره 17 را خارج کنید. کلامک شماره 18 و در بازویی 22 و پیچ شماره 21 را جابه جا کنید.





4. لولایی U شکل، کلامک و سرپوش بالا شماره 20 را جا به جا نموده سپس در یخچال شماره 17، لو لایی C شکل، قفل شماره 15، در F شماره 26، لولایی A شکل شماره 10، قفل شماره 9، سرپوش پایین شماره 6 و پیچ شماره 7 را سوار کنید.

5. دستگیره های شماره 5 را که روی قسمت فریزر قرار داشتند، روی یخچال نصب کنید. قسمت پایین دستگیره ها را روی شیار تنظیم نموده و بعد با جا به جا نمودن کلامک 27 پیچ های 3 را ببندید. پس از چفت کردن پیچ های جدار در یخچال کلامک 2 را فشار داده و در جای خود قرار دهید. کلامک 4 را روی سوراخی که قبلاً دستگیره 1 روی آن قرار داشت قرار دهید. دستگیره فریزر شماره 1 را نیز به ترتیب بالا نصب کنید.

6. زمانی کار پایان می یابد که دستگیره های شماره 1 و 5 با استفاده از کلامک 27 که از مکان قبلی خود باز شده است، در جای مناسب نصب شوند.

گارانتی شامل جا به جایی در نمی شود.

نکته