



FRIDGE-FREEZER

USER'S GUIDE

Please read this User's Guide carefully before operating and keep it handy for reference at all times.

COMBINĂ FRIGORIFICĂ

INSTRUCȚIUNI DE UTILIZARE

Vă rugăm să citiți cu atenție aceste instrucțiuni înainte de a utiliza aparatul. Păstrați aceste instrucțiuni pentru a le putea consulta la nevoie.



Table of Contents

Introduction	Registration	4
	Important Safety Instruction	4
	Identification of Parts	6
Installation	Installation	7
	Starting	7
Operation	Temperature Control	8
	Quick Freeze	8
	Vacation	9
	Self Test	9
	Door Alarm	9
	Ice Making	9
	Defrosting	9
	Water Dispenser	10
Suggestion On Food storage	Storing Food	12
Care and Maintenance	General Information	13
	Lamp Replacement	13
	Cleaning	14
Trouble Shooting	Trouble Shooting	16
To Reverse the Doors	Precaution	18
	How to Reverse the Doors	18

Introduction

Registration

The model and serial number are found on the rear of this unit. This number is unique to this unit and not available to others. You should record requested information here and retain this guide as a permanent record of your purchase. Staple your receipt here.

Date of Purchase : _____

Dealer Purchased From : _____

Dealer Address : _____

Dealer Phone No. : _____

Model No. : _____

Serial No. : _____

Important Safety Instruction

Precaution

This fridge-freezer must be properly installed and located in accordance with the Installation Instruction before it is used.

Never unplug your fridge-freezer by pulling on the power cord. Always grip plug firmly and pull straight out from the outlet.

When moving your appliance away from the wall, be careful not to roll over or damage the power cord.

After your fridge-freezer is in operation, do not touch the cold surfaces in the freezer compartment, particularly when hands are damp or wet. Skin may adhere to these extremely cold surfaces.

Important Safety Instruction

Precaution

Roll out the power plug prior to cleaning the fridge-freezer.
Never damage, severely bend, pull out, or twist the power cord because power cord damage may cause a fire or electronic shock.
Never place glass products in the freezer because they may be broken when their inner contents are frozen.

Do not modify or extend the Power Cord length

It will cause electric shock or fire.



Don't Use an Extension Cord

If possible, connect the fridge-freezer to its own individual electrical outlet to prevent it and other appliances or household lights from causing an overload.

Accessibility of Supply Plug

The supply plug of the refrigerator-freezer should be placed in easy accessible position for quick disconnection in emergency.

Supply Cord Replacement

If the supply cord is damaged, it must be replaced by the manufacturer or its service agent or a similarly qualified person in order to avoid a hazard.

Danger

Risk of child entrapment.
Before you throw away your old refrigerator or freezer:
Take off the doors.
Leave the shelves in place so that children may not easily climb inside.

Don't store

Don't store or use gasoline or other flammable vapors and liquids in the vicinity of this or any other appliance.

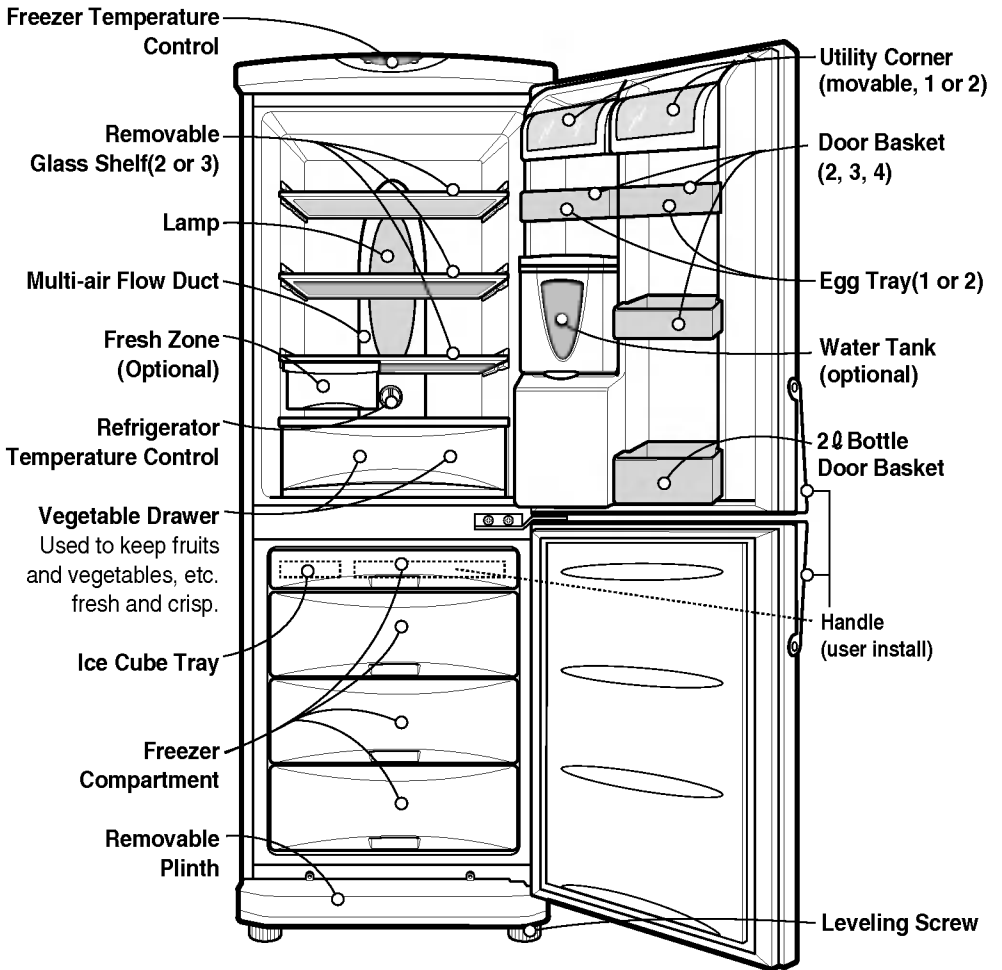
Grounding (Earthing)

In the event of an electric short circuit, grounding (earthing) reduces the risk of electric shock by providing an escape wire for the electric current. In order to prevent possible electric shock, this appliance must be grounded. Improper use of the grounding plug can result in an electric shock. Consult a qualified electrician or service person if the grounding instructions are not completely understood, or if you have doubts on whether the appliance is properly grounded.

⚠Warning

- ⚠ Keep ventilation openings, in the appliance enclosure or in the built-in structure, clear of obstruction.
- ⚠ Do not use mechanical devices or other means to accelerate the defrosting process, other than those recommended by the manufacturer.
- ⚠ Do not damage the refrigerant circuit.
- ⚠ Do not use electrical appliances inside the food storage compartments of the appliance, unless they are of the type recommended by the manufacturer.
- ⚠ The refrigerant and insulation blowing gas used in the appliance require special disposal procedures. When disposal, please consult with service agent or a similarly qualified person.

Identification of Parts



Note

If you found some parts missing from your unit, they may be parts only used in other models.

Installation

1. Select a good location.
Place your fridge-freezer where it is easy to use.
2. Avoid placing the unit near heat sources, direct sunlight or moisture.
3. There must be proper air circulation around your fridge-freezer to keep it operating efficiently.
4. To avoid vibration, the unit must be leveled.
If required, adjust the leveling screws to compensate for the uneven floor.
The front should be slightly higher than the rear to aid in door closing.
Leveling screws can be turned easily by tipping the cabinet slightly.
Turn the leveling screws counterclockwise(↺) to raise the unit, clockwise(↻) to lower it.
5. Clean your fridge-freezer thoroughly and wipe off all dust accumulated during shipping.
6. Install accessories such as ice cube box, etc., in their proper places. They are packed together to prevent possible damage during shipment.
7. Connect the power supply cord (or plug) to the outlet.
Don't double up with other appliances on the same outlet.
8. To ensure proper air circulation around the fridge - freezer, please maintain sufficient space on both the sides as well as top and maintain at least 2 inches (5 cm) from the rear wall.

Starting

When your fridge-freezer is installed, allow it 2-3 hours to stabilize at normal operating temperature prior to filling it with fresh or frozen foods.

If power plug is disconnected, allow 5 minutes delay before restarting.

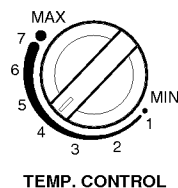
Your fridge-freezer is now ready for use.

Temperature Control

Your fridge-freezer has two controls that let you regulate the temperature in the fridge and freezer compartments.

Fridge

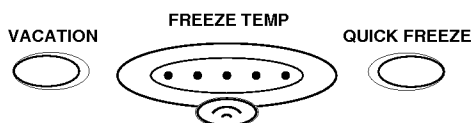
- Initially set the TEMP. CONTROL at "4". Then adjust the compartment temperature according to your desire.



- If you want an inside temperature slightly less cold or colder, turn the knob towards MIN or MAX, respectively. When the surrounding temperature is low, adjust the TEMP. CONTROL 'MIN'.

Freezer

- Freezer temperature control is on the top of the fridge-freezer. Initially set the Freeze Temp at mid-point. By pressing the Freezer Temp button, you can adjust the temperature of the Freezer as indicated by the numbers of lamps lit. (the setting is composed of five steps, 5 lamps lit indicates coldest.)
- When you starting the Fridge-Freezer or connecting the power plug to the outlet, temperature setting is automatically set to the mid-point.



Quick Freeze

- This function is used when you want to freeze the foods quickly. Press the 'QUICK FREEZE' button once, and then the quick freeze operation starts with the lamp lit.



The quick freeze operation takes about 3 hours.

When its operation ends, it automatically returns to the normal state.

If you want to stop the quick freeze operation, press the 'QUICK FREEZE' button once more, the lamp goes out, and the quick freeze operation stops and the refrigerator returns to the normal state.

Vacation

This function makes the fridge-freezer work in a power saving mode which is useful for when you are away on holiday, by reducing energy consumption as much as possible. Pressing 'VACATION' starts operation with lamp ON and pressing it again stops the operation.

For better functioning, you should set the TEMP. CONTROL to "MIN".



Self Test

This function allows you to check for operational problems. If you think you have a problem with your fridge-freezer, then press the temperature control button:

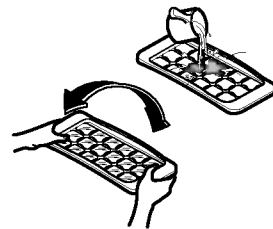
- If the indicate lights move up or down, then there is no problem with your fridge-freezer.
- If the indicate lights do not move up or down, then please leave the power connected and call your nearest service agent.

Door Alarm

When the door of the fridge is left opened for a while, the alarm sounds.

Ice Making

- To make ice cubes, fill the ice tray to the water level and place it in the freezer.
- If ice cubes are required fast, press the 'QUICK FREEZE' button.
- To remove ice cubes, hold the tray at its ends and twist gently.



Tip

To remove ice cubes easily, run water on the tray before twisting.

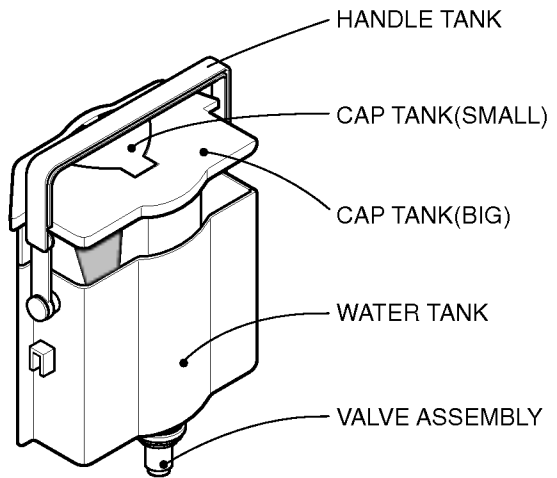
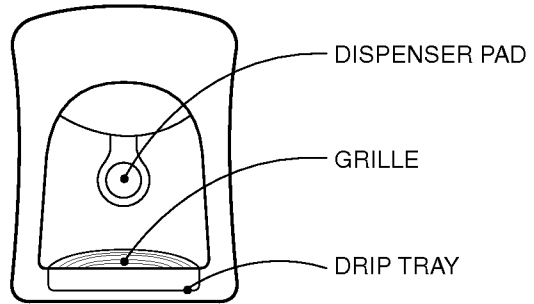
Defrosting

Defrosting takes place automatically.

The defrosting water flows down to the evaporating tray and is evaporated automatically.

Water Dispenser (optional)

Features



Install

Please assemble the VALVE ASSEMBLY after correctly adjusting it with a DOOR HOLE.

**Filling of
WATER TANK**

1. After turning the HANDLE Tank backward with the WATER TANK installed at the DOOR, Open the CAP TANK (SMALL) and then fill water using a kettle etc.
 - * Fill water while watching a sight glass on the front of the WATER TANK.
 - * Water up to 4.5ℓ can be filled.
2. Press and fix the CAP TANK(SMALL).
3. After filling spring water, fix the HANDLE TANK at a proper position.

Drinking

1. Press the Dispenser Pad with a cup.
2. If pressing the Pad, water inside of the Dispenser is supplied.
3. If slowly removing a cup from the Pad, water will not fall down.

Caution

Do not use other beverage (milk, juice, carbonated beverage etc) than spring water. Especially beverage including grain must not be used (may result in failure).

Storing Food

- Do not store food which goes bad easily at low temperature, such as banana, and melon.
- Allow hot food to cool prior to storing. Placing hot food in the fridge-freezer could spoil other food, and lead to higher electric bills.
- When storing the food, use a container with a lid. This prevents moisture from evaporating, and helps food to keep its taste and nutrients.
- Do not block air vents with food. Smooth circulation of cold air keeps fridge-freezer temperature even.
- Do not open the door frequently. Opening the door lets warm air enter the fridge-freezer, and cause temperature to rise.
- To adjust the temperature control easily, do not store food near the temperature control dial.
- Never keep too many foods in door rack, as this may stop the door from fully closing.
- Do not store bottles in the freezer compartment - they may break when frozen.
- Do not refreeze food that has been thawed. This causes loss of taste and nutrition.

Note

If you keep the fridge-freezer in a hot, and humid place, frequently open its door or put a lot of vegetables in it, dew may form in it, which has no effect on its performance.

Remove the dew with dust cloth free from care.

General Information

Power Failure

- 1~2 hour power failure does no harm to the foods stores. Try to avoid opening and closing the door too frequently.

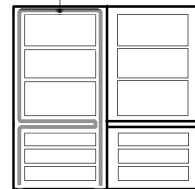
If You Move

- Take out foods from the fridge-freezer and firmly fix the loose items with tape.
- Turn the leveling screws until they stop before moving the fridge-freezer. Otherwise the screw may scratch the floor or the fridge-freezer cannot move.

Anti Condensation Pipe

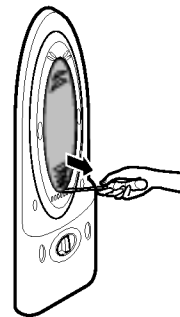
- The Anti-Condensation pipe is installed around the front side of fridge-freezer as well as on the partition between fridge compartment and freezer compartment to prevent dewing.
- Especially after installation or when ambient temperature is high, the fridge-freezer may feel hot, which is quite normal.

Anti-Condensation Pipe



Lamp Replacement

1. Unplug the power cord from the outlet.
2. Remove fridge shelves.
3. To remove the lamp cover, insert ⊖ type driver in the underside of the lamp cover and pull it out forwards.
4. Turn the lamp counterclockwise.
5. Assemble in reverse order of disassembly.
Replacement lamp must be the same specification as original.
 - You must check the O-RING, which is made by rubber and prevent electric spark.



Cleaning

Before Cleaning

Be sure to unplug the power.

Exterior

Clean the outside of the fridge-freezer with a soft cloth soaked with hot water or liquid detergent. If you use a detergent, be sure to wipe it with a clean wet cloth.

Interior

As above.

After Cleaning

Check that the power cord is not damaged, power plug has not overheated, and that the power plug is tightly inserted into the outlet.

Warning

Be sure to dry the appliance with a cloth after washing it with water.

Do not use abrasive, petroleum, benzene, thinner, hydrochloride acid, boiling water, rough brush, etc, as they may damage parts of the fridge-freezer.

GRILLE and DRIP TRAY

1. After removing the HOLE part of the GRILLE with the finger, slowly pull the DRIP TRAY out.
2. After discharging Drip Water inside of the DRIP TRAY, clean and fully rinse the GRILLE and the DRIP TRAY.
3. Wipe moisture out around the DOOR part and the DRIP TRAY using a clean cloth.

Exterior Dispenser

Wipe moisture etc out outside of Dispenser and on the Dispenser Pad using a cloth.

Water Tank

1. Lift the WATER TANK up by pressing the fixing LEVER on the bottom of WATER TANK and then remove it.
2. After removing the CAP TANK (BIG), clean and fully rinse the inside/outside part of the WATER TANK by using neutral cleansing agent.

Cap Tank(Big & Small)

Clean and fully rinse the Cap Tank (Big & Small) by using neutral cleansing agent.

Especially for the groove part of the CAP TANK, it is convenient to cleanse it by using a small brush.

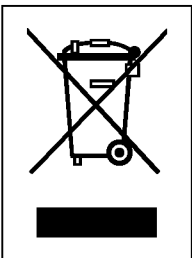
Valve Assembly

Clean and fully rinse the VALVE ASSEMBLY by using a small brush. Rinse it while operating the bottom part of the valve assembly. Always fix the Sealing Rubber separated for cleansing at the existing position (may result in water leakage).

Before calling for service, check this list. It may save you both time and expense. This list includes common occurrences that are not the result of defective workmanship or materials in this appliance.

Problem	Possible Causes
Fridge-Freezer does not operate	<ul style="list-style-type: none">• Power plug may be unplugged from the electric outlet. Plug it in securely.• House fuse has blown or circuit breaker has tripped. Check and/or replace fuse and reset circuit breaker.• Power cut. Check house lights.
Fridge or Freezer Compartment Temperature too warm	<ul style="list-style-type: none">• Temperature control not set on proper position. Refer to Temperature Control section.• Appliance is placed close to heat source.• Warm weather-frequent door openings.• Door left open for a long time.• Package holding door open or blocking air duct in freezer compartment.
Vibration or Rattling or Abnormal Noise	<ul style="list-style-type: none">• The floor on which the fridge-freezer is installed may be uneven or the fridge-freezer may be unstable. Make it even by rotating the leveling screw.• Unnecessary objects placed in the back side of the fridge-freezer.
Frost or Ice Crystals on frozen Food	<ul style="list-style-type: none">• Door may have been left ajar or package holding door open.• Too frequent or too long door openings.• Frost within package is normal.
Moisture forms on Cabinet Surface	<ul style="list-style-type: none">• This phenomenon is likely to occur in a wet space. Wipe it with a dry towel.

Problem	Possible Causes
Moisture collects inside	<ul style="list-style-type: none"> • Too frequent or too long door openings. • In humid weather, air carries moisture into fridge when doors are opened.
Fridge has odor	<ul style="list-style-type: none"> • Foods with strong odors should be tightly covered or wrapped. • Check for spoiled food. • Interior needs cleaning. Refer to CLEANING section
Door not closing properly	<ul style="list-style-type: none"> • Food package is keeping door open. Move packages that keep door from closing. • Fridge-freezer is not level. Adjust the leveling screws. • The floor on which the fridge-freezer is installed may be uneven or the fridge-freezer may be unstable. Slightly raise the front side with the leveling screw.
Interior light does not work	<ul style="list-style-type: none"> • No power at outlet. • Light lamp needs replacing. Refer to the Lamp Replacement section



DISPOSAL OF YOUR OLD APPLIANCE

1. When this crossed-out wheeled bin symbol is attached to a product it means the product is covered by the European Directive 2002/96/EC.
2. All electrical and electronic products should be disposed of separately from the municipal waste stream via designated collection facilities appointed by the government or the local authorities.
3. The correct disposal of your old appliance will help prevent potential negative consequences for the environment and human health.
4. For more detailed information about disposal of your old appliance, please contact your city office, waste disposal service or the shop where you purchased the product.

To Reverse the Doors

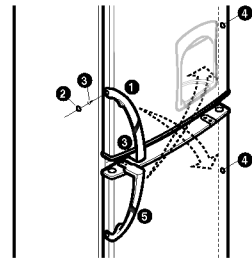
Your fridge-freezer is designed with reversible doors, so that they may open from either the left or right hand side to suit your kitchen design.

Precaution

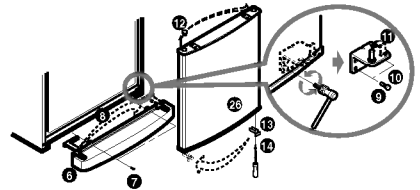
1. Before reversing the door, first of all, you should take out food and accessories like shelves or trays which are not fixed in the fridge-freezer.
2. Use Torque Wrench or Spanner to fix or remove the bolt.
3. Do not lay the fridge-freezer down. This will cause problems.
4. Be careful not to drop the doors in disassembling or assembling.

How to Reverse the Doors

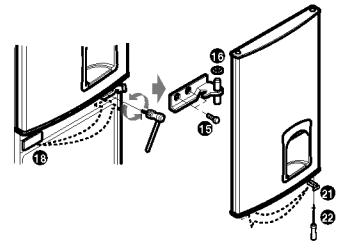
1. Remove SCREWS ③ after removing a CAP ② from the right part of the refrigerator room HANDLE ①. Remove 2 SCREWS ③ on the bottom part of the refrigerator room HANDLE ①. The freezer room HANDLE ⑤ may be also separated in the same sequence as in the refrigerator room HANDLE ①.



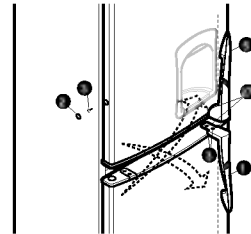
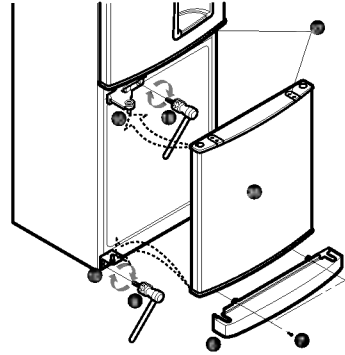
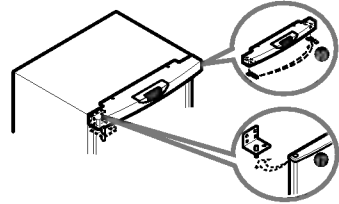
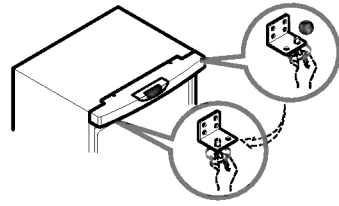
2. Remove screw ⑦ and remove Cover ⑥ and move Cap Cover ⑧. And, remove screw ⑨, Hinge-L ⑩, and remove pin ⑪. Remove the Freezer Door ⑫, and move the position of the cap ⑬. Move the position of bracket door ⑭ and screw ⑮.



3. Remove bolt ⑮ and remove the Hinge-C ⑯ and the Fridge Door ⑰. Move the position of the cap ⑱. Move the position of bracket door ⑳ and screw ㉑.



4. Move the position of Hinge-U pin 19, and Cap, Top cover 20 Assemble the Fridge Door 17 Assemble Hinge-C 16 and bolt 15 Assemble F-Door 26. Assemble the Hinge-L 10 and bolt 9. Assemble Low Cover 6 and screw 7.



5. Install HANDLES 5 installed at the existing freezer room, at the refrigerator room. Adjust the bottom part of HANDLES to the groove and then fasten 2 screws 3 after removing the CAP 7. After bolting SCREWS in the side of the refrigerator room DOOR, press and insert the CAP 2. Insert the CAP 4 to hole which the HANDLE 1 was installed previous. The freezer room HANDLES 1 are assembled in the same manner as above using the existing.

6. Stop the groom where the existing HANDLE 1, 5 was installed at by using the CAP 7 removed in the initial installation.

Note

Reversing the doors is not covered by the warranty.

Cuprins

Introducere	Înregistrare	22
	Instrucțiuni legate de siguranță	22
	Identificarea componentelor	24
Instalare	Instalare	25
	Punerea în funcțiune	25
Funcționare	Controlul temperaturii	26
	Congelare rapidă	26
	Vacanță	27
	Auto-testare	27
	Alarma de la ușă	27
	Cuburi de gheață	27
	Dezghețare	27
	Dispozitivul pentru apă	28
Sugestii de depozitare a alimentelor	Depozitarea alimentelor	30
Întreținere	Informații generale	31
	Înlocuirea lămpii	31
	Curățare	32
Remediarea problemelor	Remediarea problemelor	34
Inversarea ușilor	Precauțiuni	36
	Cum să inversați ușile	36

Introducere

Înregistrare

Numărul de serie este unic și corespunde numai acestui aparat. Vă recomandăm să completați informațiile cerute mai jos și să Păstrați acest manual ca dovadă de cumpărare. Atașați aici chitanța.

Data achiziționării : _____

Reprezentanța : _____

Adresa reprezentanței : _____

Nr. de telefon al reprezentanței : _____

Model nr. : _____

Nr. de serie : _____

Instrucțiuni legate de siguranță

Precauții

Înainte de a fi utilizată, combina frigorifică trebuie instalată și amplasată în conformitate cu instrucțiunile de instalare.

Nu scoateți din priză combina frigorifică trăgând de cablul de alimentare. Apucați ștecherul și trageți-l afară din priză.

Când mutați aparatul de lângă perete, aveți grijă să nu striviți sau să deteriorați cablul de alimentare.

Când combina frigorifică funcționează, nu atingeți suprafețele reci din compartimentul de congelare, mai ales când aveți mâinile umede. Este posibil ca pielea să se lipească de aceste suprafețe reci.

Instrucțiuni legate de siguranță

Precauții

Scoateți din priză combina frigorifică înainte de a o curăța. Cablul de alimentare nu trebuie deteriorat, îndoit excesiv, tras afară sau răsucit întrucât deteriorarea acestuia poate provoca incendii sau șocuri electrice. Nu depozitați produse din sticlă în congelator deoarece acestea s-ar putea sparge din cauza înghețării conținutului.

Nu modificați și nu prelungiți cablul de alimentare

Puteți suferi un șoc electric sau provoca un incendiu.



Nu utilizați un cablu prelungitor
Accesibilitatea ștecherului de alimentare

Pe cât posibil, conectați combina frigorifică la o priză separată, pentru a preveni supraîncărcarea prizei.

Combina frigorifică trebuie poziționată astfel încât ștecherul de alimentare să fie ușor accesibil, pentru a putea fi rapid deconectat în caz de accidente.

Înlocuirea cablului de alimentare

În cazul în care cordonul de alimentare este deteriorat, acesta trebuie înlocuit de către producător, de un agent de service al producătorului sau de o persoană calificată.

Pericol

Risc de sufocare pentru copii.

Înainte de a arunca vechiul dumneavoastră frigider sau congelator:

Detașați ușile.

Nu scoateți rafturile, pentru a împiedica intrarea copiilor înăuntru.

Nu depozitați

Împământarea

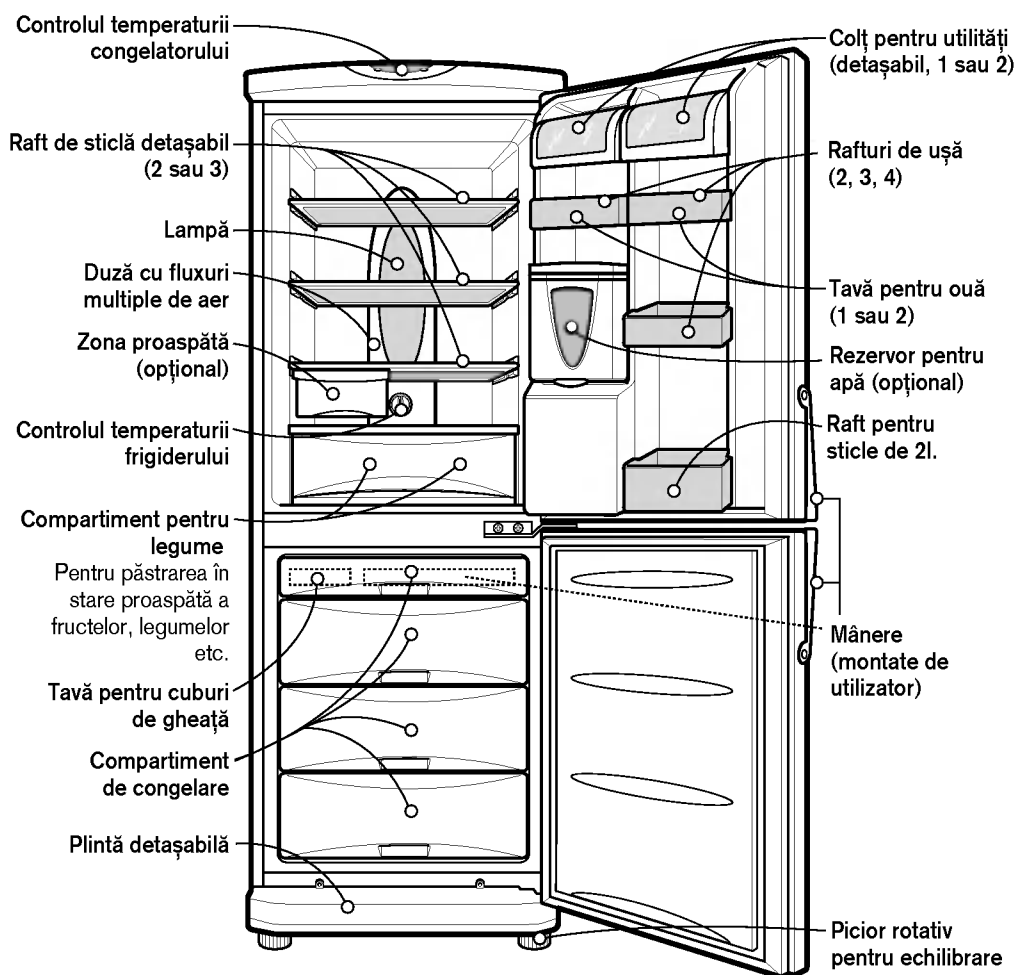
Nu depozitați și nu utilizați benzină sau alte substanțe volatile și inflamabile în vecinătatea aparatului casnic.

În cazul unui scurt-circuit, împământarea reduce riscul unui șoc electric asigurând o cale de scurgere a curentului electric. Pentru a evita un posibil șoc electric, acest aparat trebuie împământat. Utilizarea improprie a pământarelor poate avea ca rezultat un șoc electric. Dacă instrucțiunile de împământare nu vă sunt pe deplin clare sau dacă vă îndoiiți de corectitudinea împământării aparatului, consultați un electrician calificat.

⚠ Atenție

- ⚠ Păstrați deschise orificiile de ventilare din jurul aparatului și din structura înconjurătoare.
- ⚠ Nu utilizați mijloace mecanice sau alte procedee nerecomandate de producător pentru a accelera procesul de dezghețare.
- ⚠ Nu deteriorați circuitul agentului de răcire.
- ⚠ Nu utilizați aparate electrice nerecomandate de producător în interiorul compartimentului de depozitare a alimentelor.
- ⚠ Agentul de răcire și gazul utilizat în interiorul aparatului necesită proceduri speciale de casare. Consultați în acest scop un agent de service sau o persoană calificată.



Identificarea componentelor



Notă

Dacă unele componente lipsesc din combina frigorifică, acestea corespund altor modele.

Instalare

- 1.** Alegeți o locație potrivită.
Amplasați combina frigorifică în locuri ușor accesibile.
- 2.** Evitați amplasarea în apropierea surselor de căldură, în contact direct cu razele solare sau în zone cu umiditate ridicată.
- 3.** Aerul trebuie să circule normal în jurul combinei pentru ca aceasta să funcționeze eficient.
- 4.** Pentru a evita vibrațiile, aparatul trebuie echilibrat.
Dacă este necesar, ajustați picioarele cu filet pentru a compensa denivelările podelei.
Partea frontală ar trebui să fie puțin mai ridicată decât partea posterioară, pentru a contribui la închiderea ușii.
Picioarele cu filet pot fi manipulate cu ușurință înclinând ușor combina.
Pentru a înălța combina, învârtiți picioarele cu filet în sens contrar acelor de ceasornic (). Pentru a coborî combina, răsuciți picioarele cu filet în sensul acelor de ceasornic ().
- 5.** Curățați cu atenție combina frigorifică și ștergeți praful acumulat în timpul transportului.
- 6.** Instalați accesoriile cum ar fi tăvița pentru gheață etc. în locașurile special amenajate. Accesoriile sunt împachetate pentru a preveni deteriorarea lor în timpul transportului.
- 7.** Conectați cablul de alimentare (sau ștecherul) la priză.
Nu utilizați aceeași priză pentru alte aparate.
- 8.** Pentru a asigura o circulare adecvată a aerului în jurul frigiderului cu congelator, lăsați un spațiu suficient în ambele părți, ca și deasupra, și o distanță de cel puțin 2 inci (5 cm) față de perețele din spate.

Punerea în funcțiune

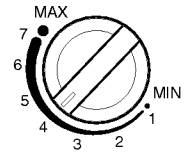
După instalarea combinei frigorifice, așteptați 2-3 ore pentru ca aceasta să ajungă la temperatura normală de funcționare înainte de a depozita alimente proaspete sau congelate. În cazul în care scoateți aparatul din priză, așteptați 5 minute înainte de a-l reconecta.
Combina dumneavoastră frigorifică este acum gata de utilizare.

Controlul temperaturii

Combina dumneavoastră frigorifică are două dispozitive care vă permit să reglați temperatura în frigider și în congelator.

Frigider

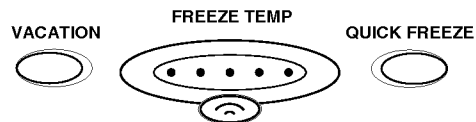
- La început reglați butonul TEMP. CONTROL (Control temperatura) la "4". Apoi, ajustați temperatura compartimentului după dorință.
- Dacă doriți să modificați temperatura din interior, răsuciți spre MIN. pentru a crește temperatura sau spre MAX pentru a scădea temperatura. Când temperatura mediului ambiant este scăzută, reglați la MIN.



TEMP. CONTROL

Congelator

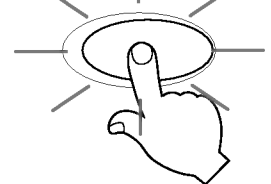
- Dispozitivul de control a temperaturii congelatorului se află în partea de sus a combinei frigorifice. La început, fixați-l la mijloc. Apăsând butonul FREEZE TEMP, puteți ajusta temperatura congelatorului conform indicatorilor luminoși (există 5 trepte; când toate cele 5 indicatoare sunt aprinse, temperatura este cea mai scăzută).
- Când puneți în funcțiune combina frigorifică sau când o conectați la priză, temperatura se va fixa automat la punctul din mijloc.



Congelare rapidă

- Această funcție este utilizată pentru înghețarea rapidă a alimentelor. Apăsați o dată butonul "QUICK FREEZE"; indicatorul luminos va rămâne aprins și operația de congelare rapidă va fi activată.

QUICK FREEZE



Această operație durează aproximativ 3 ore, după care congelatorul va reveni la starea normală.

Pentru a opriți operația de congelare rapidă, apăsați din nou butonul "QUICK FREEZE"; indicatorul luminos se va stinge și operația se va opri, iar congelatorul va reveni la funcționarea normală.

Vacanță

Această opțiune permite funcționarea combinei frigorifice în regim economic, fiind utilă pentru perioadele în care plecați în concediu, reducând consumul de energie la minim. Apăsăți butonului "VACATION" (Vacanță) pentru a activa acest mod de funcționare. Apăsăți-l încă o dată pentru a-l dezactiva. Pentru o funcționare mai bună, reglați "TEMP. CONTROL" la "MIN".



Auto-testare

Această funcție permite depistarea problemelor de funcționare a aparatului. Dacă aveți probleme cu combina frigorifică, apăsați butonul de control al temperaturii:

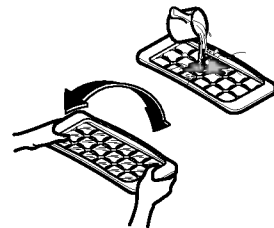
- Dacă indicatoarele luminoase se deplasează în sus sau în jos, nu există nici o problemă.
- Dacă indicatoarele luminoase nu se deplasează, lăsați aparatul în priză și contactați cel mai apropiat punct de service.

Alarma de la ușă

Această alarmă sună atunci când ușa de la frigider este lăsată deschisă pentru o perioadă mai lungă de timp.

Cuburi de gheață

- Pentru a obține cuburi de gheață umpleți tava pentru gheață cu apă până la nivelul indicat și introduceți-o în frigider.
- Dacă aveți nevoie urgentă de cuburi de gheață, apăsați butonul "QUICK FREEZE" (Congelare rapidă).



- Pentru a desprinde cuburile, prindeți tava cu ambele mâini cele două capete și răsuși ușor.

Indicație

Pentru a desprinde cu ușurință cuburile de gheață, turnați apă peste tavă înainte de a o răsuși.

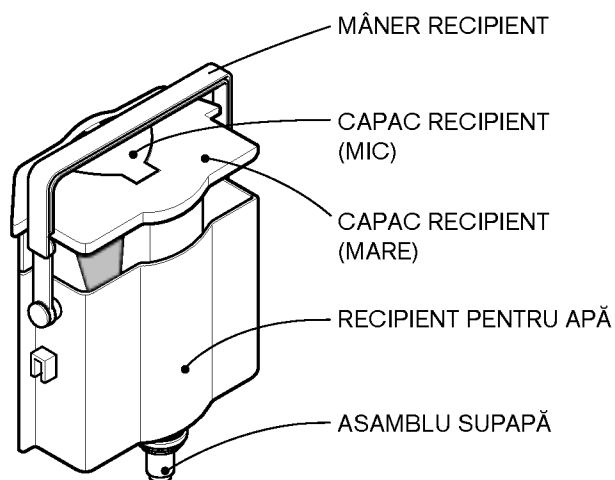
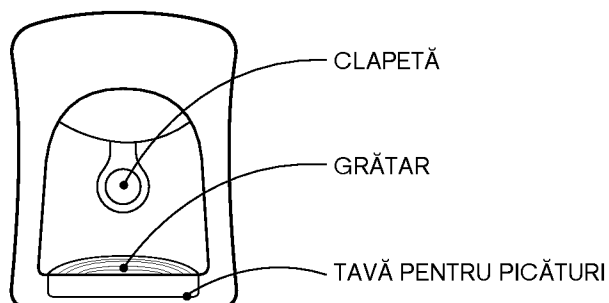
Dezghetare

Dezghetarea are loc în mod automat.

Apa rezultată se scurge în tava de evaporare, de unde se evaporază automat.

Dispozitivul pentru apă (opțional)

Caracteristici



Instalare

Montați ASAMBLUL SUPAPĂ după ce l-ați îmbinat corect cu ORIFICIUL UȘII.

Umplerea RECIPIENTULUI PENTRU APĂ

1. După ce rotiți MÂNERUL cu spatele și RECIPIENTUL PENTRU APĂ este instalat în cadrul UȘII, DESCHIDEȚI CAPACUL RECIPIENTULUI (MIC) și umpleți-l cu apă utilizând un ceainic etc.

* În timp ce turnați apa, urmăriți nivelul acesteia prin fereastra din fața RECIPIENTULUI.

* Este recomandabil să umpleți recipientul până la nivelul 4,5L.

2. Fixați prin apăsare CAPACUL RECIPIENTULUI (MIC).

3. După umplerea cu apă plată, fixați MÂNERUL RECIPIENTULUI într-o poziție corectă.

Dozarea

1. Apăsăți clapeta de dozare cu ajutorul paharului.

2. Apa curge atâta timp cât clapeta de dozare este menținută în poziție apăsată.

3. După îndepărtarea lentă paharului, apa încetează să curgă.

Atenție

Folosiți numai apă plată în dispozitiv, nu folosiți alte lichide (lapte, suc, băuturi carbogazoase etc.). Trebuie evitate în mod special bătuturile care conțin obiecte solide (pot provoca defectarea aparatului).

Depozitarea alimentelor

- Nu stocați alimente ușor perisabile la temperaturi scăzute, cum sunt bananele sau pepenii.
- Lăsați mâncarea caldă să se răcească înainte de stocare. Depozitarea alimentelor fierbinți în combina frigorifică poate avea ca rezultat deteriorarea altor alimente și un consum mare de energie electrică.
- Folosiți vase cu capac pentru ambalarea alimentelor. Acestea vor preveni evaporarea și vor contribui la păstrarea gustului și proprietăților nutritive ale alimentelor.
- Nu blocați duzele de aer cu alimente. Circulația aerului asigură păstrarea temperaturii egale în combina frigorifică.
- Nu deschideți ușa frecvent. Deschiderea ușii permite intrarea aerului cald înăuntru și provoacă creșterea temperaturii.
- Pentru putea regla ușor temperatura, nu stocați mâncare lângă butonul de reglare a temperaturii.
- Nu depozitați foarte multe alimente pe ușă, acest lucru putând împiedica închiderea corectă a ușii.
- Nu depozitați sticle în congelator - acestea se pot sparge când îngheață.
- Nu recongelați alimentele decongelate. Acestea își vor pierde din gust și din proprietățile nutritive.

Notă

Este posibil ca în interiorul combinei frigorifice să se formeze condens dacă aceasta este amplasată într-un mediu cald și umed, dacă deschideți frecvent ușa sau dacă depozitați multe legume. Condensul nu influențează funcționarea combinei. Acesta poate fi îndepărtat ușor cu ajutorul unei cârpe.

Informații generale

Pene de curent

- O pană de curent cu durata de 1-2 ore nu va avea efecte negative asupra alimentelor. Încercați să evitați deschiderea și închiderea frecventă a ușii.

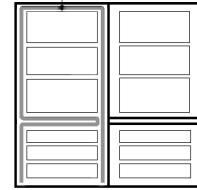
La schimbarea domiciliului

- Scoateți alimentele din combina frigorifică și fixați elementele mobile cu bandă adezivă.
- Rotiți picioarele cu filet până la capăt. În caz contrar acestea ar putea să zgârie podeaua sau combina nu va putea fi deplasată.

Canalul anti-condens

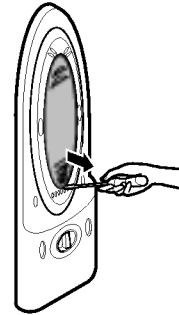
- Canalul anti-condens este instalat în jurul părții frontale a combinei frigorifice, precum și între compartimentele de refrigerare și de congelare.
- După instalare sau când temperatura exterioară este ridicată, combina frigorifică s-ar putea să se încălzească. Acest lucru este normal.

Canal anti-condens



Înlocuirea lămpii

1. Scoateți din priză aparatul.
2. Detașați rafturile frigiderului.
3. Pentru a detașa dispozitivul de protecție al lămpii, introduceți o șurubelniță tip [driver symbol] sub marginea dispozitivului de protecție a lămpii și trageți înainte.
4. Răsuciți lampa în sens contrar acelor de ceasornic.
5. Asamblați în ordinea inversă dezasamblării.
Lampa de schimb trebuie să aibă aceiași parametri cu cea originală.
 - Verificați inelul circular din cauciuc care are rolul de a preveni apariția scânteilor.



Curățare

Înainte de curățare

Asigurați-Vă că aparatul este scos din priză.

Exteriorul

Curățați partea exterioară a combinei frigorifice cu o cârpă moale, înmuiată în apă caldă sau detergent lichid. Dacă ați folosit detergent, ștergeți zona cu o cârpă umedă curată.

Interiorul

Ca și mai sus.

După curățare

Verificați dacă cablul de alimentare este intact, dacă ștecherul nu s-a supraîncălzit și dacă este corect introdus în priză.

Atenție

După spălare, uscați aparatul folosind o cârpă uscată. Nu utilizați substanțe abrazive, petrol, benzină, diluanți, acid hidroclorhidric, apă fierbinte, o perie aspră etc., deoarece acestea pot deteriora combina frigorifică.

**GRĂTARUL și TAVA
PENTRU PICĂTURI**

- 1.** Îndepărtați GRĂTARUL CU AJUTORUL unui deget și extrageți TAVA PENTRU PICĂTURI.
- 2.** După ce scurgeți apa din TAVA PENTRU PICĂTURI, spălați și clătiți GRĂTARUL și TAVA PENTRU PICĂTURI.
- 3.** Curățați umezeala din zona UȘII și din zona TĂVII PENTRU PICĂTURI utilizând o cârpă curată.

**Partea exterioară a
DISPOZITIVULUI
PENTRU APĂ**

Curățați umezeala etc. din jurul părții exterioare a DISPOZITIVULUI PENTRU APĂ și de pe PLATFORMĂ.

Recipient pentru apă

- 1.** Ridicați RECIPIENTUL PENTRU APĂ apăsând PÂRGHIA de fixare din partea inferioară a RECIPIENTULUI PENTRU APĂ, apoi îndepărtați-l.
- 2.** După ce îndepărtați CAPACUL REZERVORULUI (MARE), spălați și clătiți interiorul și exteriorul RECIPIENTULUI PENTRU APĂ utilizând un detergent neutru.

**CAPACUL
RECIPIENTULUI
(mic și mare)**

Spălați și clătiți CAPACUL REZERVORULUI (mic și mare) utilizând un agent de curățare neutru.

Folosiți o perie mică pentru a curăța proeminențele CAPACULUI REZERVORULUI.

**ANSAMBLUL
SUPAPEI**

Spălați și clătiți ANSAMBLUL SUPAPEI utilizând o perie mică. Pentru a-l clăti, utilizați partea inferioară a ansamblului supapei. Montați întotdeauna garnitura de etanșare în poziția ei inițială (în caz contrar pot avea loc scurgeri).

Înainte de a apela la serviciile reprezentanței de service, consultați această listă.
Veți economisi astfel timp și bani.
Această listă conține probleme frecvente care nu sunt rezultatul defectelor de fabricație sau a materialelor defectuoase.

Problemă

Cauze posibile

Combina nu funcționează

- **Cablul de alimentare nu este conectat la priză.**
Conectați ștecherul la priză.
- **Siguranța fuzibilă este arsă.**
Verificați și/sau înlocuiți siguranța.
- **Pană de curent.**
Verificați dacă becurile din casă funcționează.

Temperatura din combina frigorifică este prea ridicată

- **Dispozitivul de reglare a temperaturii este poziționat greșit.**
Consultați secțiunea "Controlul temperaturii".
- **Aparatul este amplasat lângă o sursă de căldură.**
- **Vremea este caldă și ușa combinei este deschisă frecvent.**
- **Ușa a fost lăsată deschisă o perioadă lungă de timp.**
- **Ușa nu se închide bine din cauza unui pachet sau duza de aer din congelator este blocată.**

Vibrații, zornăit sau zgomot anormal

- **Suprafața pe care este instalată combina frigorifică nu este plată sau combina este instabilă.**
Stabilizați combina rotind picioarele cu filet.
- **În spatele combinei frigorifice se află diverse obiecte.**

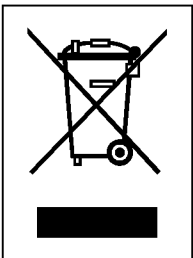
Alimentele înghețate sunt acoperite cu particule de gheață

- **Ușa a fost lăsată deschisă sau nu se închide bine din cauza unui pachet.**
- **Ușa a fost deschisă prea des sau pentru intervale de timp prelungite.**
- **Este normal să existe gheață în interiorul pachetelor.**

Se formează condens pe suprafața combinei

- **Acest fenomen este normal în spații umede.**
Ștergeți condensul cu ajutorul unui prosop uscat.

Problemă	Cauze posibile
Se formează condens în interiorul combinei	<ul style="list-style-type: none"> • Ușa a fost deschisă prea des sau pentru intervale de timp prelungite. • În condiții de umiditate crescută, umiditatea pătrunde în frigider când ușa este deschisă.
Frigiderul prezintă miros	<ul style="list-style-type: none"> • Alimentele puternic mirositoare trebuie acoperite sau împachetate. • Verificați dacă există alimente alterate. • Interiorul trebuie curățat. Consultați secțiunea "Curățare".
Ușa nu se închide corect	<ul style="list-style-type: none"> • Alimentele împiedică ușa să se închidă. Mutăți alimentele care împiedică închiderea ușii. • Combina frigorifică nu este echilibrată. Reglați picioarele cu filet. • Suprafața pe care este instalată combina frigorifică nu este plată sau combina este instabilă. Ridicați ușor partea din față a combinei cu ajutorul picioarelor cu filet.
Lampa din interior nu funcționează	<ul style="list-style-type: none"> • Combina frigorifică nu este alimentată cu energie electrică. • Lampa trebuie înlocuită. Consultați secțiunea "Înlocuirea lămpii".



CASAREA APARATELOR VECHI

1. Această siglă (un coș de gunoi încercuit și tăiat) semnifică faptul că produsul se află sub incidența Directivei Consiliului European 2002/96/EC.
2. Aparatele electrice și electronice nu vor fi aruncate împreună cu gunoiul menajer, ci vor fi predate în vederea reciclării la centrele de colectare special amenajate, indicate de autoritățile naționale sau locale.
3. Respectarea acestor cerințe va ajuta la prevenirea impactului negativ asupra mediului înconjurător și sănătății publice.
4. Pentru informații mai detaliate referitoare la casarea aparatelor vechi, contactați autoritățile locale, serviciul de salubritate sau distribuitorul de la care ați achiziționat produsul.

Inversarea ușilor

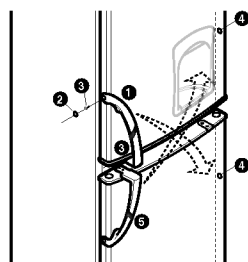
Frigider-congelatorul Dvs. este proiectat cu uși inversabile, astfel încât ele să se poată deschide la dreapta sau la stânga, potrivit cerințelor din bucătărie.

Precauțiuni

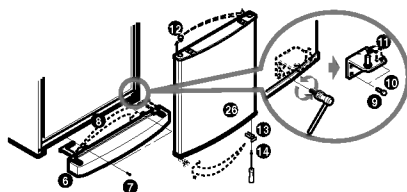
1. Înainte de a proceda la inversarea ușilor, trebuie mai întâi să scoateți toate alimentele și accesoriile care nu sunt fixate în frigider-congelatorul, precum rafturile și sertarele.
2. Folosiți o cheie suedeză sau o cheie franceză pentru a strânge sau a scoate bulonul.
3. Nu culcați frigider-congelatorul pe podea. Aceasta vă va cauza probleme.
4. Aveți grijă să nu scăpați pe jos ușile în timpul demontării și montării lor.

Cum să inversați ușile

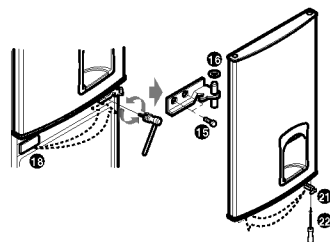
1. Scoateți ȘURUBURILE ③ după ce ați îndepărtat CĂPĂCELULUI ② de pe partea dreaptă a MĂNERULUI ① al camerei frigiderului. Scoateți cele 2 ȘURUBURI ③ din partea de jos a MĂNERULUI ① al camerei frigiderului. MĂNERUL ⑤ al camerei congelatorului se eliberează, respectând aceeași secvență de lucru ca în cazul MĂNERULUI ① al camerei frigiderului.



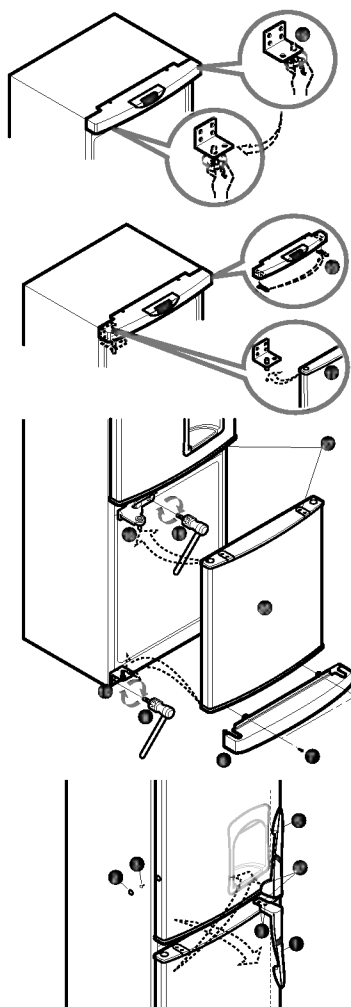
2. Scoateți Șurubul ⑦, îndepărtați Capacul ⑥ și deplasați Capacul căpăcelului ⑧. Scoateți Șurubul ⑨, L-balamaua ⑩ și scoateți Știftul ⑪. Îndepărtați Ușa congelatorului ⑫ și schimbați poziția Căpăcelului ⑬. Schimbați poziția Purtătorului ușii ⑭ și strângeți Șurubul ⑭.



3. Scoateți Bulonul ⑮ și Scoateți C-balamaua ⑯ și Ușa frigiderului ⑰. Schimbați poziția Căpăcelului ⑱. Schimbați locul de fixare al Purtătorului ușii ⑲ și strângeți Șurubul ⑲.



4. Schimbați locul Știftului 19 al U-balamalei și Capacul superior 20. Montați Ușa frigiderului 17. Montați C-balamaua 16 și Bulonul 15. Montați F-ușa 25. Montați L-balamaua 10 și Bulonul 9. Montați Capacul inferior 6 și strângeți Șurubul 7.
5. Montați MÂNERUL 5, care a fost montat înainte pe camera de congelare, pe camera congelatorului. Reglați partea de jos a MÂNERULUI în fantă și strângeți cele două ȘURUBURI 3 după ce ați îndepărtat în prealabil CĂPĂCELULUI 7. După înșurubarea ȘURUBURILOR pe partea UȘII camerei frigiderului, introduceți prin apăsare CĂPĂCELUL 2. Introduceți CĂPĂCELUL 4 în orificiul în care a fost montat înainte MÂNERUL 1. MÂNERUL 1 al camerei congelatorului se montează în mod asemănător ca MÂNERUL 5.
6. Astupați orificiile în care au fost montate anterior MÂNERELE 1, 5 cu CĂPĂCELELE 7, îndepărtate inițial.



Notă

Inversarea ușilor nu este acoperită de garanție.

