



Najważniejsi są ludzie

FRIDGE-FREEZER

User's Guide

Please read this User's Guide carefully before operating and keep it handy for reference at all times.

ŁODÓWKA- ZAMRAŻARKA

INSTRUKCJA UŻYTKOWNIKA

Przed uruchomieniem zestawu prosimy dokładnie zapoznać się z niniejszą instrukcją, i zachować ją do wykorzystania w przyszłości.



Table of Contents

Introduction	Registration	4
	Important Safety Instruction	4
	Identification of Parts	6
Installation	Installation	7
	Starting	7
Operation	Temperature Control	8
	Quick Freeze	8
	Vacation	9
	Self Test	9
	Door Alarm	9
	Ice Making	9
	Defrosting	9
	Water Dispenser	10
Suggestion On Food storage	Storing Food	12
Care and Maintenance	General Information	13
	Lamp Replacement	13
	Cleaning	14
Trouble Shooting	Trouble Shooting	16
Specifications	Specifications	18
To Reverse the Doors	Precaution	19
	How to Reverse the Doors	19

Introduction

Registration

The model and serial number are found on the rear of this unit. This number is unique to this unit and not available to others. You should record requested information here and retain this guide as a permanent record of your purchase. Staple your receipt here.

Date of Purchase : _____

Dealer Purchased From : _____

Dealer Address : _____

Dealer Phone No. : _____

Model No. : _____

Serial No. : _____

Precaution

Important Safety Instruction

This fridge-freezer must be properly installed and located in accordance with the Installation Instruction before it is used.

Never unplug your fridge-freezer by pulling on the power cord. Always grip plug firmly and pull straight out from the outlet.

When moving your appliance away from the wall, be careful not to roll over or damage the power cord.

After your fridge-freezer is in operation, do not touch the cold surfaces in the freezer compartment, particularly when hands are damp or wet. Skin may adhere to these extremely cold surfaces.

Important Safety Instruction

Precaution

Roll out the power plug prior to cleaning the fridge-freezer.
Never damage, severely bend, pull out, or twist the power cord because power cord damage may cause a fire or electronic shock.
Never place glass products in the freezer because they may be broken when their inner contents are frozen.

Do not modify or extend the Power Cord length

It will cause electric shock or fire.



Don't Use an Extension Cord

If possible, connect the fridge-freezer to its own individual electrical outlet to prevent it and other appliances or household lights from causing an overload.

Accessibility of Supply Plug

The supply plug of the refrigerator-freezer should be placed in easy accessible position for quick disconnection in emergency.

Supply Cord Replacement

If the supply cord is damaged, it must be replaced by the manufacturer or its service agent or a similarly qualified person in order to avoid a hazard.

Danger

Risk of child entrapment.
Before you throw away your old refrigerator or freezer:
Take off the doors.
Leave the shelves in place so that children may not easily climb inside.

Don't store

Don't store or use gasoline or other flammable vapors and liquids in the vicinity of this or any other appliance.

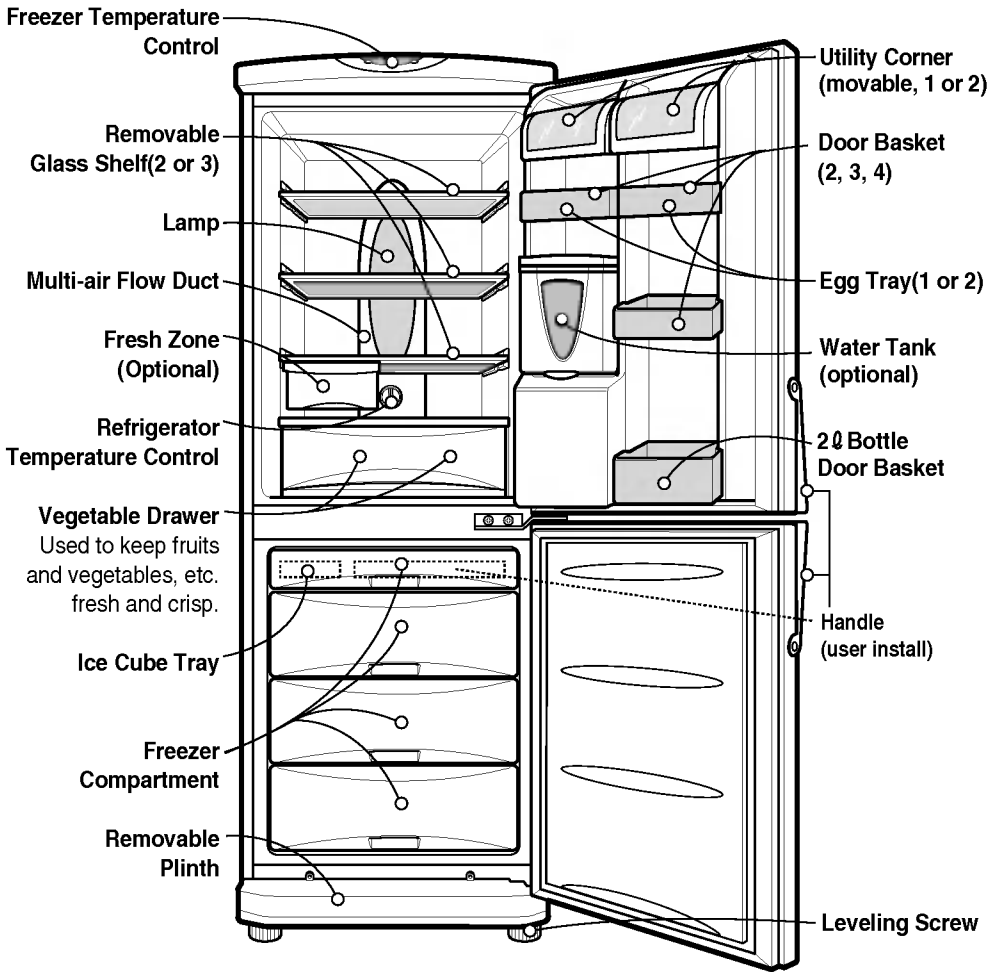
Grounding (Earthing)

In the event of an electric short circuit, grounding (earthing) reduces the risk of electric shock by providing an escape wire for the electric current. In order to prevent possible electric shock, this appliance must be grounded. Improper use of the grounding plug can result in an electric shock. Consult a qualified electrician or service person if the grounding instructions are not completely understood, or if you have doubts on whether the appliance is properly grounded.

▲Warning

- ▲ Keep ventilation openings, in the appliance enclosure or in the built-in structure, clear of obstruction.
- ▲ Do not use mechanical devices or other means to accelerate the defrosting process, other than those recommended by the manufacturer.
- ▲ Do not damage the refrigerant circuit.
- ▲ Do not use electrical appliances inside the food storage compartments of the appliance, unless they are of the type recommended by the manufacturer.
- ▲ The refrigerant and insulation blowing gas used in the appliance require special disposal procedures. When disposal, please consult with service agent or a similarly qualified person.

Identification of Parts



Note

If you found some parts missing from your unit, they may be parts only used in other models.

Installation

1. Select a good location.
Place your fridge-freezer where it is easy to use.
2. Avoid placing the unit near heat sources, direct sunlight or moisture.
3. There must be proper air circulation around your fridge-freezer to keep it operating efficiently.
4. To avoid vibration, the unit must be leveled.
If required, adjust the leveling screws to compensate for the uneven floor.
The front should be slightly higher than the rear to aid in door closing.
Leveling screws can be turned easily by tipping the cabinet slightly.
Turn the leveling screws counterclockwise(↺) to raise the unit, clockwise(↻) to lower it.
5. Clean your fridge-freezer thoroughly and wipe off all dust accumulated during shipping.
6. Install accessories such as ice cube box, etc., in their proper places.They are packed together to prevent possible damage during shipment.
7. Connect the power supply cord (or plug) to the outlet.
Don't double up with other appliances on the same outlet.
8. To ensure proper air circulation around the fridge - freezer, please maintain sufficient space on both the sides as well as top and maintain at least 2 inches (5 cm) from the rear wall.

Starting

When your fridge-freezer is installed, allow it 2-3 hours to stabilize at normal operating temperature prior to filling it with fresh or frozen foods.

If power plug is disconnected, allow 5 minutes delay before restarting.

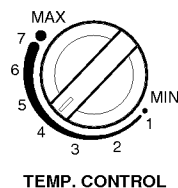
Your fridge-freezer is now ready for use.

Temperature Control

Your fridge-freezer has two controls that let you regulate the temperature in the fridge and freezer compartments.

Fridge

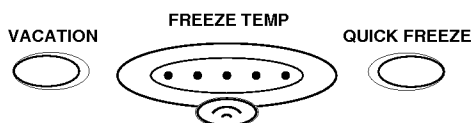
- Initially set the TEMP. CONTROL at "4". Then adjust the compartment temperature according to your desire.



- If you want an inside temperature slightly less cold or colder, turn the knob towards MIN or MAX, respectively. When the surrounding temperature is low, adjust the TEMP. CONTROL 'MIN'.

Freezer

- Freezer temperature control is on the top of the fridge-freezer. Initially set the Freeze Temp at mid-point. By pressing the Freezer Temp button, you can adjust the temperature of the Freezer as indicated by the numbers of lamps lit. (the setting is composed of five steps, 5 lamps lit indicates coldest.)
- When you starting the Fridge-Freezer or connecting the power plug to the outlet, temperature setting is automatically set to the mid-point.



Quick Freeze

- This function is used when you want to freeze the foods quickly. Press the 'QUICK FREEZE' button once, and then the quick freeze operation starts with the lamp lit.



The quick freeze operation takes about 3 hours.

When its operation ends, it automatically returns to the normal state.

If you want to stop the quick freeze operation, press the 'QUICK FREEZE' button once more, the lamp goes out, and the quick freeze operation stops and the refrigerator returns to the normal state.

Vacation

This function makes the fridge-freezer work in a power saving mode which is useful for when you are away on holiday, by reducing energy consumption as much as possible. Pressing 'VACATION' starts operation with lamp ON and pressing it again stops the operation.

For better functioning, you should set the TEMP. CONTROL to "MIN".



Self Test

This function allows you to check for operational problems. If you think you have a problem with your fridge-freezer, then press the temperature control button:

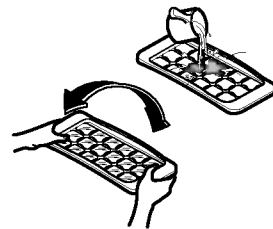
- If the indicate lights move up or down, then there is no problem with your fridge-freezer.
- If the indicate lights do not move up or down, then please leave the power connected and call your nearest service agent.

Door Alarm

When the door of the fridge is left opened for a while, the alarm sounds.

Ice Making

- To make ice cubes, fill the ice tray to the water level and place it in the freezer.
- If ice cubes are required fast, press the 'QUICK FREEZE' button.
- To remove ice cubes, hold the tray at its ends and twist gently.



Tip

To remove ice cubes easily, run water on the tray before twisting.

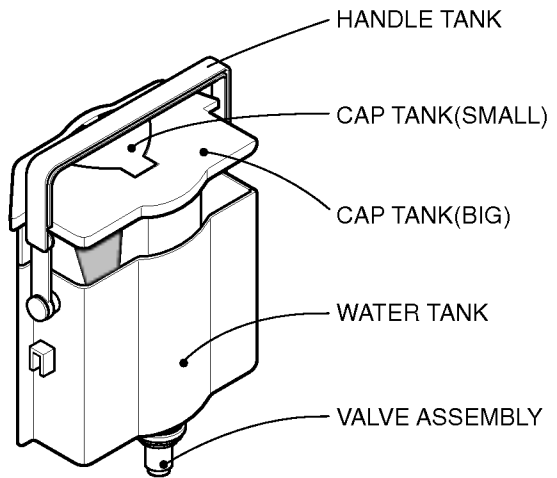
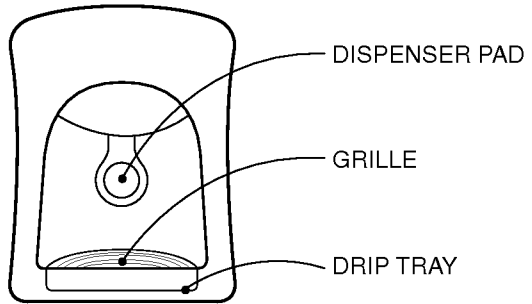
Defrosting

Defrosting takes place automatically.

The defrosting water flows down to the evaporating tray and is evaporated automatically.

Water Dispenser (optional)

Features



Install

Please assemble the VALVE ASSEMBLY after correctly adjusting it with a DOOR HOLE.

**Filling of
WATER TANK**

1. After turning the HANDLE Tank backward with the WATER TANK installed at the DOOR, Open the CAP TANK (SMALL) and then fill water using a kettle etc.
 - Fill water while watching a sight glass on the front of the WATER TANK.
 - Water up to 4.5ℓ can be filled.
2. Press and fix the CAP TANK(SMALL).
3. After filling spring water, fix the HANDLE TANK at a proper position.

Drinking

1. Press the Dispenser Pad with a cup.
2. If pressing the Pad, water inside of the Dispenser is supplied.
3. If slowly removing a cup from the Pad, water will not fall down.

Caution

Do not use other beverage (milk, juice, carbonated beverage etc) than spring water. Especially beverage including grain must not be used (may result in failure).

Storing Food

- Do not store food which goes bad easily at low temperature, such as banana, and melon.
- Allow hot food to cool prior to storing. Placing hot food in the fridge-freezer could spoil other food, and lead to higher electric bills.
- When storing the food, use a container with a lid. This prevents moisture from evaporating, and helps food to keep its taste and nutrients.
- Do not block air vents with food. Smooth circulation of cold air keeps fridge-freezer temperature even.
- Do not open the door frequently. Opening the door lets warm air enter the fridge-freezer, and cause temperature to rise.
- To adjust the temperature control easily, do not store food near the temperature control dial.
- Never keep too many foods in door rack, as this may stop the door from fully closing.
- Do not store bottles in the freezer compartment - they may break when frozen.
- Do not refreeze food that has been thawed. This causes loss of taste and nutrition.

Note

If you keep the fridge-freezer in a hot, and humid place, frequently open its door or put a lot of vegetables in it, dew may form in it, which has no effect on its performance.

Remove the dew with dust cloth free from care.

General Information

Power Failure

- 1~2 hour power failure does no harm to the foods stores. Try to avoid opening and closing the door too frequently.

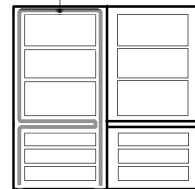
If You Move

- Take out foods from the fridge-freezer and firmly fix the loose items with tape.
- Turn the leveling screws until they stop before moving the fridge-freezer. Otherwise the screw may scratch the floor or the fridge-freezer cannot move.

Anti Condensation Pipe

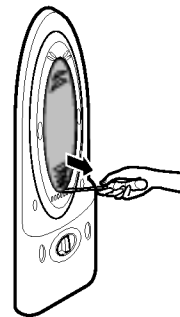
- The Anti-Condensation pipe is installed around the front side of fridge-freezer as well as on the partition between fridge compartment and freezer compartment to prevent dewing.
- Especially after installation or when ambient temperature is high, the fridge-freezer may feel hot, which is quite normal.

Anti-Condensation Pipe



Lamp Replacement

1. Unplug the power cord from the outlet.
2. Remove fridge shelves.
3. To remove the lamp cover, insert ⊖ type driver in the underside of the lamp cover and pull it out forwards.
4. Turn the lamp counterclockwise.
5. Assemble in reverse order of disassembly.
Replacement lamp must be the same specification as original.
 - You must check the O-RING, which is made by rubber and prevent electric spark.



Cleaning

Before Cleaning

Be sure to unplug the power.

Exterior

Clean the outside of the fridge-freezer with a soft cloth soaked with hot water or liquid detergent. If you use a detergent, be sure to wipe it with a clean wet cloth.

Interior

As above.

After Cleaning

Check that the power cord is not damaged, power plug has not overheated, and that the power plug is tightly inserted into the outlet.

Warning

Be sure to dry the appliance with a cloth after washing it with water.

Do not use abrasive, petroleum, benzene, thinner, hydrochloride acid, boiling water, rough brush, etc, as they may damage parts of the fridge-freezer.

GRILLE and DRIP TRAY

1. After removing the HOLE part of the GRILLE with the finger, slowly pull the DRIP TRAY out.
2. After discharging Drip Water inside of the DRIP TRAY, clean and fully rinse the GRILLE and the DRIP TRAY.
3. Wipe moisture out around the DOOR part and the DRIP TRAY using a clean cloth.

Exterior Dispenser

Wipe moisture etc out outside of Dispenser and on the Dispenser Pad using a cloth.

Water Tank

1. Lift the WATER TANK up by pressing the fixing LEVER on the bottom of WATER TANK and then remove it.
2. After removing the CAP TANK (BIG), clean and fully rinse the inside/outside part of the WATER TANK by using neutral cleansing agent.

Cap Tank(Big & Small)

Clean and fully rinse the Cap Tank (Big & Small) by using neutral cleansing agent.

Especially for the groove part of the CAP TANK, it is convenient to cleanse it by using a small brush.

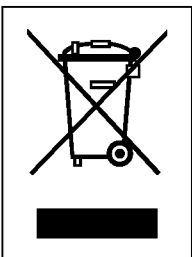
Valve Assembly

Clean and fully rinse the VALVE ASSEMBLY by using a small brush. Rinse it while operating the bottom part of the valve assembly. Always fix the Sealing Rubber separated for cleansing at the existing position (may result in water leakage).

Before calling for service, check this list. It may save you both time and expense. This list includes common occurrences that are not the result of defective workmanship or materials in this appliance.

Problem	Possible Causes
Fridge-Freezer does not operate	<ul style="list-style-type: none">• Power plug may be unplugged from the electric outlet. Plug it in securely.• House fuse has blown or circuit breaker has tripped. Check and/or replace fuse and reset circuit breaker.• Power cut. Check house lights.
Fridge or Freezer Compartment Temperature too warm	<ul style="list-style-type: none">• Temperature control not set on proper position. Refer to Temperature Control section.• Appliance is placed close to heat source.• Warm weather-frequent door openings.• Door left open for a long time.• Package holding door open or blocking air duct in freezer compartment.
Vibration or Rattling or Abnormal Noise	<ul style="list-style-type: none">• The floor on which the fridge-freezer is installed may be uneven or the fridge-freezer may be unstable. Make it even by rotating the leveling screw.• Unnecessary objects placed in the back side of the fridge-freezer.
Frost or Ice Crystals on frozen Food	<ul style="list-style-type: none">• Door may have been left ajar or package holding door open.• Too frequent or too long door openings.• Frost within package is normal.
Moisture forms on Cabinet Surface	<ul style="list-style-type: none">• This phenomenon is likely to occur in a wet space. Wipe it with a dry towel.

Problem	Possible Causes
Moisture collects inside	<ul style="list-style-type: none"> • Too frequent or too long door openings. • In humid weather, air carries moisture into fridge when doors are opened.
Fridge has odor	<ul style="list-style-type: none"> • Foods with strong odors should be tightly covered or wrapped. • Check for spoiled food. • Interior needs cleaning. Refer to CLEANING section
Door not closing properly	<ul style="list-style-type: none"> • Food package is keeping door open. Move packages that keep door from closing. • Fridge-freezer is not level. Adjust the leveling screws. • The floor on which the fridge-freezer is installed may be uneven or the fridge-freezer may be unstable. Slightly raise the front side with the leveling screw.
Interior light does not work	<ul style="list-style-type: none"> • No power at outlet. • Light lamp needs replacing. Refer to the Lamp Replacement section



DISPOSAL OF YOUR OLD APPLIANCE

1. When this crossed-out wheeled bin symbol is attached to a product it means the product is covered by the European Directive 2002/96/EC.
2. All electrical and electronic products should be disposed of separately from the municipal waste stream via designated collection facilities appointed by the government or the local authorities.
3. The correct disposal of your old appliance will help prevent potential negative consequences for the environment and human health.
4. For more detailed information about disposal of your old appliance, please contact your city office, waste disposal service or the shop where you purchased the product.

Specifications

	GR-369	GR-409(Basic)	GR-409(Dispenser)
Total capacity	283/264 ℓ	322/303 ℓ	315/296 ℓ
Freezer capacity	104/86 ℓ	104/86 ℓ	104/86 ℓ
Refrigerator capacity	179/178 ℓ	218/217 ℓ	211/210 ℓ
Height	1710 mm	1880 mm	1880 mm
Width	595 mm	595 mm	595 mm
Depth	626 mm	626 mm	626 mm
Weight	69 kg	77 kg	77 kg
Voltage, frequency	230V / 50Hz	230V / 50Hz	230V / 50Hz
Freezing capacity	10 kg / 24 h	10 kg / 24 h	10 kg / 24 h
Energy consumption	0.96 kW / 24 h	1.01 kW / 24 h	1.01 kW / 24 h

To Reverse the Doors

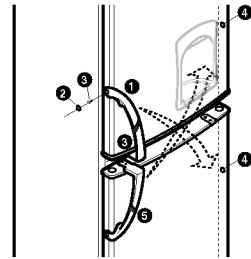
Your fridge-freezer is designed with reversible doors, so that they may open from either the left or right hand side to suit your kitchen design.

Precaution

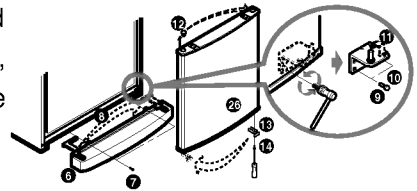
1. Before reversing the door, first of all, you should take out food and accessories like shelves or trays which are not fixed in the fridge-freezer.
2. Use Torque Wrench or Spanner to fix or remove the bolt.
3. Do not lay the fridge-freezer down. This will cause problems.
4. Be careful not to drop the doors in disassembling or assembling.

How to Reverse the Doors

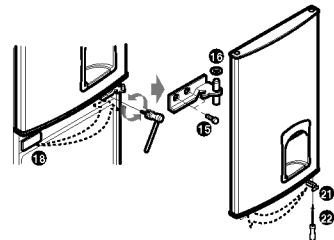
1. Remove SCREWS **3** after removing a CAP **2** from the right part of the refrigerator room HANDLE **1**. Remove 2 SCREWS **3** on the bottom part of the refrigerator room HANDLE **1**. The freezer room HANDLE **5** may be also separated in the same sequence as in the refrigerator room HANDLE **1**.



2. Remove screw **7** and remove Cover **6** and move Cap Cover **8**. And, remove screw **9**, Hinge-L **10**, and remove pin **11**. Remove the Freezer Door **26**, and move the position of the cap **12**. Move the position of bracket door **13** and screw **14**.



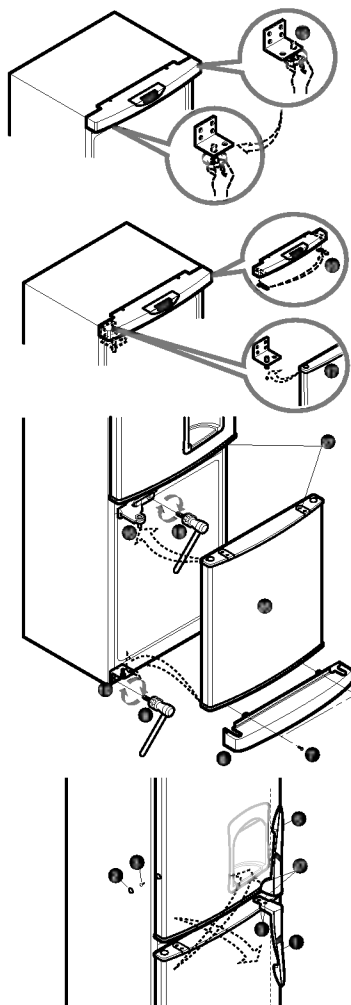
3. Remove bolt **15** and remove the Hinge-C **16** and the Fridge Door **17**. Move the position of the cap **18**. Move the position of bracket door **22** and screw **21**.



4. Move the position of Hinge-U pin **19**, and Cap, Top cover **20** Assemble the Fridge Door **17** Assemble Hinge-C **16** and bolt **15** Assemble F-Door **25**. Assemble the Hinge-L **10** and bolt **9**. Assemble Low Cover **6** and screw **7**.

5. Install HANDLES **5** installed at the existing freezer room, at the refrigerator room. Adjust the bottom part of HANDLES to the groove and then fasten 2 screws **3** after removing the CAP **7**. After bolting SCREWS in the side of the refrigerator room DOOR, press and insert the CAP **2**. Insert the CAP **4** to hole which the HANDLE **1** was installed previous. The freezer room HANDLES **1** are assembled in the same manner as above using the existing.

6. Stop the groom where the existing HANDLE **1**, **5** was installed at by using the CAP **7** removed in the initial installation.



Note

Reversing the doors is not covered by the warranty.

Spis treści

Wstęp	Rejestracja	22
	Ważne instrukcje dotyczące bezpieczeństwa	22
	Określenie części	24
Instalowanie	Instalowanie	25
	Uruchomienie	25
Obsługa	Regulacja temperatury	26
	Szybkie zamrażanie	26
	Wakacje	27
	Auto-test	27
	Alarm otwartych drzwi	27
	Zamrażanie lodu	27
	Rozmrażanie	27
	Dozownik wody	28
Rady dotyczące rozmieszczania produktów żywnościowych	Przechowywanie żywności	30
Dbłość i konserwacja	Informacje ogólne	31
	Wymiana żarówki	31
	Utrzymywanie czystości	32
Usuwanie usterek	Usuwanie usterek	34
Dane techniczne	Dane techniczne	38

Wstęp

Rejestracja

Oznaczenie modelu i numer fabryczny znajdują się z tyłu urządzenia. Numer fabryczny jest przypisany indywidualnie do danego urządzenia. Niezbędne dane należy wpisać poniżej i zachować jako dowód nabycia urządzenia. W tym miejscu należy umieścić paragon i zabezpieczyć go zszywaczem.

Data nabycia : _____

Nazwa sklepu : _____

Adres sklepu : _____

Numer telefonu do sklepu : _____

Oznaczenie modelu : _____

Numer fabryczny : _____

Ważne instrukcje dotyczące bezpieczeństwa

Ostrzeżenie

Przed uruchomieniem lodówko-zamrażarka winna być prawidłowo zainstalowana i ustawiona zgodnie z instrukcją instalowania.

Nie wolno odłączać zasilania lodówko-zamrażarki ciągnąc za kabel zasilający. Zawsze należy dobrze uchwycić wtyczkę i wyciągnąć ją prostopadle z gniazdka.

Podczas odsuwania urządzenia od ściany należy uważać, by nie przetaczać go przez kabel zasilający, ani nie uszkodzić go w inny sposób.

Po uruchomieniu lodówko-zamrażarki nie wolno dotykać zimnych powierzchni komory zamrażarki, szczególnie wilgotnymi lub mokrymi rękoma. Grozi to przywarciem skóry do zamrożonych powierzchni.

Ważne instrukcje dotyczące bezpieczeństwa

Ostrzeżenie

Przed przystąpieniem do mycia lodówki-zamrażarki należy wyjąć z gniazda sieciowego wtyczkę kabla zasilającego. Nigdy nie wolno uszkodzić, mocno wyginać ani skręcać kabla zasilającego, ponieważ uszkodzenie kabla może spowodować pożar lub porażenie prądem. Nigdy nie wolno umieszczać w komorze zamrażarki produktów w opakowaniach szklanych, gdyż zamarznięcie ich zawartości może spowodować ich rozsadzenie.

Nie wolno modyfikować lub przedłużać kabla zasilania

Zagrożenie porażenia prądem lub pożaru.



Nie używać przedłużaczy

W miarę możliwości należy podłączyć lodówkę-zamrażarkę do oddzielnego gniazdka sieciowego aby zabezpieczyć ją - i inne urządzenia lub oświetlenie domowe przed skutkami przeciążenia sieci.

Dostępność gniazdka sieciowego i wtyczki

Położenie gniazda sieciowego dla lodówki-zamrażarki należy wybrać w taki sposób, by wtyczka była łatwo dostępna dla szybkiego rozłączenia w sytuacji awaryjnej.

Wymiana kabla zasilającego

W razie uszkodzenia przewodu zasilającego, należy zlecić jego wymianę w zakładzie producenta, w firmowym punkcie serwisowym bądź innej podobnie wyszkolonej osobie, aby uniknąć ewentualnego zagrożenia.

Zagrożenie

Ryzyko uwięzienia dziecka.

Przed wyrzuceniem starej lodówki lub zamrażarki należy zdjąć z niej drzwi. Półki należy pozostawić wewnątrz komór urządzenia aby utrudnić dzieciom wejście do środka.

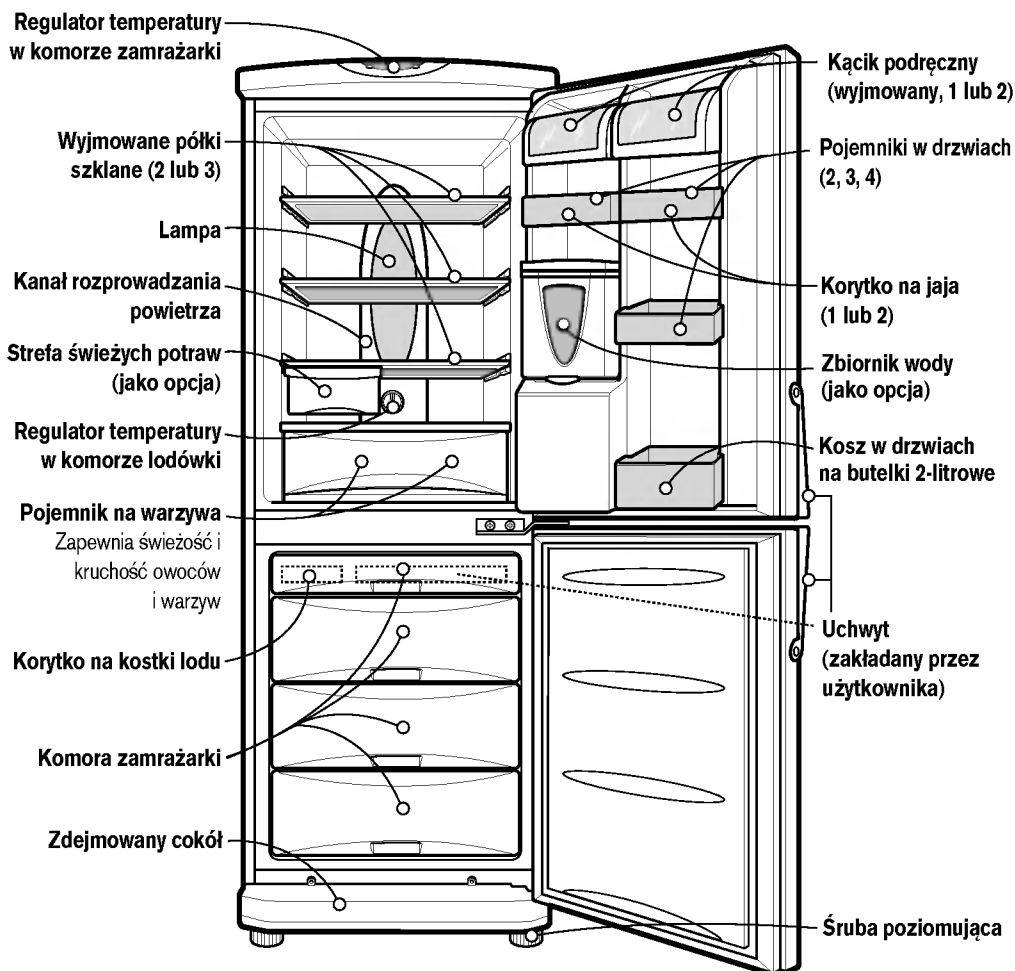
Ograniczenia składowania

W pobliżu tego, jak i innych podobnych urządzeń, nie wolno składować ani używać benzyny ani innych łatwopalnych oparów ani cieczy. Uziemienie urządzenia zmniejsza ryzyko porażenia prądem, zapewniając dodatkowy przewód, którym prąd elektryczny może spłynąć w razie wystąpienia zwarcia. Aby uniknąć groźby porażenia prądem, to urządzenie musi być uziemione. Niewłaściwe stosowanie wtyczki uziemiającej może spowodować porażenie prądem. Należy skorzystać z pomocy specjalisty elektryka lub pracownika serwisu jeśli wskazówki dotyczące uziemienia nie są dokładnie zrozumiałe, lub w razie wątpliwości, czy urządzenie jest właściwie uziemione.

▲ Ostrzeżenia

- ▲ Otwory wentylacyjne w obudowie urządzenia lub w regale należy pozostawić nie zasłonięte.
- ▲ W celu przyspieszenia procesu rozmrażania nie wolno używać żadnych urządzeń mechanicznych ani żadnych innych, nie zalecanych przez producenta.
- ▲ Nie wolno uszkodzić obwodu medium chłodzącego.
- ▲ Wewnątrz komór urządzenia nie wolno używać żadnych urządzeń elektrycznych oprócz urządzeń i typów zalecanych przez producenta.
- ▲ Usuwanie medium chłodzącego i gazu do przedmuchiwania instalacji wymaga przestrzegania specjalnych procedur w zakresie utylizacji. W takim przypadku należy zasięgnąć porady w autoryzowanym punkcie obsługi lub u innej odpowiednio przeszkolonej osoby.



Określenie Części



Uwaga

Jeśli stwierdzisz, że niektórych części brakuje w Twoim urządzeniu, to zapewne są to części, które występują tylko w innych modelach.

Instalowanie

1. Wybierz odpowiednią lokalizację
Umieść swoją lodówko-zamrażarkę w miejscu, gdzie będzie z niej można łatwo korzystać.
2. Unikaj stawiania lodówki w pobliżu źródeł ciepła, w miejscach bezpośrednio nasłonecznionych lub w miejscach wilgotnych.
3. Dla zapewnienia prawidłowego działania urządzenia należy zapewnić swobodny obieg powietrza wokół urządzenia.
4. Aby uniknąć wibracji lodówko-zamrażarki, należy ją ustawić na wypoziomowanym podłożu.
W razie potrzeby należy wyregulować śruby poziomujące aby zrównoważyć ewentualne nierówności podłoża.
Przednia ściana winna być nieco podniesiona względem tylnej, aby ułatwić domykanie się drzwi.
Śruby poziomujące można łatwo regulować pochylając nieznacznie obudowę urządzenia.
Aby podnieść urządzenie, należy przekręcić śruby poziomujące w kierunku zgodnym z ruchem wskazówek zegara (), a w celu obniżenia - w kierunku przeciwnym ().
5. Dokładnie wymyj lodówkę i wytrzyj wszelki kurz, który nagromadził się podczas transportu.
6. Rozmieść odpowiednio urządzenia dodatkowe, np. pojemnik na kostki lodu, itp. Wszystkie te elementy są spakowane razem, aby uniknąć ewentualnych uszkodzeń podczas transportu.
7. Podłącz kabel zasilający (lub wtyczkę) do sieci. Nie podłączaj do jednego gniazda większej ilości urządzeń.
8. Aby zapewnić właściwą cyrkulację powietrza wokół lodówko-zamrażarki, należy pozostawić odpowiednią ilość miejsca także po obu jej stronach. Tak jak u góry, należy pozostawić, co najmniej 5 cm wolnego miejsca z tyłu urządzenia.

Uruchomienie

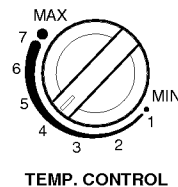
Przy pierwszym instalowaniu, przed umieszczeniem świeżej lub mrożonej żywności wewnątrz lodówki, należy pozostawić ją na 2-3 godziny dla ustabilizowania normalnej temperatury roboczej.
W razie odłączenia zasilania należy odczekać 5 minut przed ponownym uruchomieniem.
Teraz Twoja lodówka jest przygotowana do eksploatacji.

Regulacja temperatury

Twoja lodówko-zamrażarka posiada dwa układy regulacyjne, które umożliwiają regulowanie temperatury oddzielnie w komorze lodówki i zamrażarki.

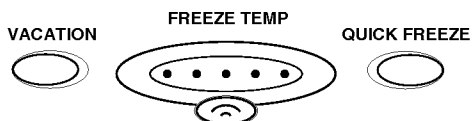
Lodówka

- Najpierw ustaw pokrętko TEMP. CONTROL (regulacja temperatury) w położenie "4". Następnie wyreguluj temperaturę w komorze według potrzeb.
- Jeśli chcesz, żeby temperatura wewnątrz komory była wyższa lub niższa, odpowiednio przestaw pokrętko w kierunku MIN lub MAX. Jeśli temperatura otoczenia jest niska, ustaw pokrętko TEMP. CONTROL (regulacja temperatury) w położenie "MIN".



Zamrażarka

- Układ regulacji temperatury w komorze zamrażarki znajduje się u samej góry urządzenia. Najpierw ustaw przełącznik Freeze Temp (Temperatura zamrażarki) w położenie pośrednie. Naciskając przycisk Freezer Temp możesz zmieniać temperaturę w zamrażarce co obrazuje ilość zapalonych żaróweczek (Można ustawiać temperaturę w skali pięciostopniowej, przy czym zapalenie 5 żaróweczek oznacza najniższą temperaturę.)
- Przy uruchomieniu urządzenia lub po podłączeniu wtyczki do gniazdka sieciowego, regulator temperatury ustawia się automatycznie w położenie pośrednie.



Szybkie Zamrażanie

- Ta funkcja jest wykorzystywana jeśli chcesz szybko zamrozić produkty żywnościowe. Po jednorazowym naciśnięciu przycisku "QUICK FREEZE" (szybkie zamrażanie) następuje uruchomienie funkcji szybkiego zamrażania, co sygnalizuje lampka. Szybkie zamrażanie trwa około 3 godzin. Po zakończeniu tej procedury urządzenie automatycznie powraca do zwykłego trybu pracy. Jeśli chcesz zatrzymać procedurę szybkiego zamrażania, naciśnij jeszcze raz przycisk "QUICK FREEZE", wówczas lampka kontrolna zgaśnie a urządzenie automatycznie powróci do zwykłego trybu pracy.



Wakacje

Ta funkcja powoduje przestawienie lodówki-zamrażarki w tryb oszczędzania energii, co jest przydatne na okres wyjazdu urlopowego, ponieważ znacznie ogranicza zużycie energii.



Naciśnięcie przycisku **VACATION** (Wakacje) powoduje uruchomienie tego trybu pracy i włączenie lampki kontrolnej, a ponowne naciśnięcie przycisku przywraca zwykły tryb pracy.

Auto-test

Ta funkcja pozwala sprawdzić prawidłowość działania urządzenia. Jeśli podejrzewasz, że Twoja lodówka-zamrażarka nie działa prawidłowo, naciśnij przycisk regulacji temperatury:

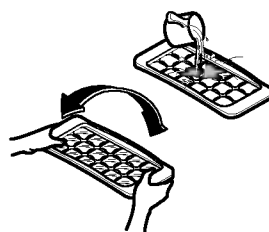
- jeśli żaróweczki sygnalizacyjne zapalają się wskazując kierunek "do góry" lub "w dół", to znaczy, że urządzenie działa prawidłowo.
- jeśli żaróweczki sygnalizacyjne nie zapalają się wskazując kierunek "do góry" ani "w dół", to pozostaw urządzenie podłączone i wezwij specjalistę z najbliższego punktu serwisowego.

Alarm otwartych drzwi

Jeśli drzwi komory zamrażarki zostały pozostawione otwarte przez dłuższą chwilę - włącza się sygnał dźwiękowy.

Zamrażanie lodu

- Aby przygotować kostki lodu napełnij korytka wodą i umieść je w pojemniku na kostki lodu. Następnie włóż ten pojemnik do komory zamrażarki.
- Jeśli kostki lodu są Ci szybko potrzebne, naciśnij przycisk "QUICK FREEZE" (szybkie zamrażanie).
- Aby wyjąć kostki lodu, uchwycić krawędzie boczne korytka i przekręć je delikatnie.

**Dobra rada**

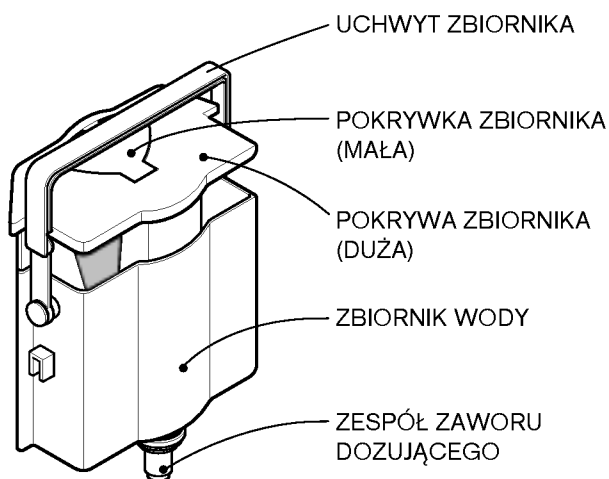
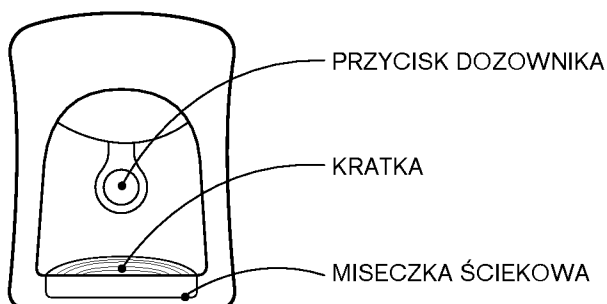
Aby łatwiej wyjąć kostki lodu - przed przekręceniem korytka splucz je szybko wodą.

Rozmrażanie

Rozmrażanie lodówki odbywa się automatycznie. Woda powstająca w wyniku rozmrażania spływa do rynienki parownika, umieszczonej z tyłu w dolnej części lodówki, po czym odparowuje automatycznie.

Dozownik wody (jako opcja)

Charakterystyka



Instalowanie

Założ ZESPÓŁ ZAWORU DOZUJĄCEGO po prawidłowym dopasowaniu go do OTWORU DRZWIOWEGO.

Napełnianie ZBIORNIKA WODY

1. Po przełożeniu UCHWYTU ZBIORNIKA do tyłu, gdy ZBIORNIK WODY jest Założony w DRZWIACH, otworz POKRYWKĘ ZBIORNIKA (MAŁĄ) a następnie wlej do zbiornika wodę np. z pomocy dzbanka.
 - Nalewając wodę obserwuj poziom wody przez okienko wziernikowe umieszczone z przodu ZBIORNIKA WODY.
 - Maksymalna pojemność wynosi 4,5 litra.
2. Nałóż i wciśnij POKRYWKĘ ZBIORNIKA (MAŁĄ).
3. Po nalaniu wody źródlanej przestaw UCHWYT ZBIORNIKA we właściwe położenie.

Dozowanie wody

1. Naciśnij PRZYCISK DOZOWNIKA szklanką.
2. Po naciśnięciu przycisku, DOZOWNIK zacznie podawać wodę do szklanki.
3. Usuwając powoli szklanką sprzed przycisku, dozowanie wody zostaje wyłączone.

Ostrzeżenie

Nie wolno używać innych napojów *np. mleka, soków, wód gazowanych, itp.) - tylko wody źródlanej. W szczególności nie wolno dozować żadnych napojów zawierających cząstki stałe (grozi to uszkodzeniem dozownika).

Przechowywanie produktów żywnościowych

- Nie przechowuj w lodówce owoców, które łatwo psują się w niższych temperaturach, np. bananów czy melonów.
- Przed włożeniem do lodówki gorące potrawy należy najpierw ostudzić. Umieszczenie gorącej potrawy w lodówce może przyczynić się do zepsucia się innych produktów, a ponadto przyczyni się do znacznego podwyższenia rachunku za prąd.
- Produkty przechowywane w lodówce umieszczaj w zamykanych pojemnikach. Zapobiega to odparowaniu wilgoci, sprzyjając utrzymaniu walorów smakowych i odżywczych tych produktów.
- Nie zasłaniaj produktami żywnościowymi otworów wentylacyjnych. Swobodna cyrkulacja zimnego powietrza wewnątrz lodówki zapewnia utrzymywanie równomiernego rozkładu temperatury w komorach urządzenia.
- Nie otwieraj drzwi lodówki zbyt często. Przy każdym otwarciu drzwi, do wnętrza lodówki wpływa ciepłe powietrze, co powoduje podwyższenie temperatury wewnątrz komory.
- Aby zapewnić łatwą regulację temperatury, nie przechowuj produktów żywnościowych tuż przy pokrętle regulacyjnym.
- Nigdy nie umieszczaj zbyt dużo artykułów na półkach w drzwiach, gdyż utrudnia to dokładne zamykanie drzwi.
- Nie umieszczaj butelek w komorze zamrażarki - zamrożenie ich zawartości może spowodować ich rozsądzenie.
- Nie zamrażaj ponownie raz rozmrożonych produktów. Ponowne zamrożenie żywności powoduje utratę walorów smakowych i odżywczych tych produktów.

Uwaga

Umieszczenie lodówki-zamrażarki w ciepłym, wilgotnym miejscu, częste otwieranie drzwi lub umieszczanie w lodówce dużych ilości warzyw może spowodować wykraplanie się rosy wewnątrz lodówki, co nie ma wpływu na wydajność urządzenia. Kropelki rosy należy ostrożnie zetrzeć czystą szmatką.

Informacje ogólne

Awaria zasilania

- Awaria zasilania, trwająca 1-2 godziny nie stwarza zagrożenia dla przechowywanej żywności, W takiej sytuacji warto jednak ograniczyć częstotliwość otwierania drzwi komór.

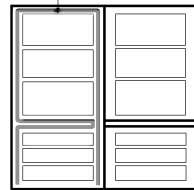
Przy przeprowadzce

- Do przeprowadzki należy opróżnić urządzenie i dobrze zabezpieczyć wszystkie ruchome elementy taśmą samoprzylepną.
- Przed rozpoczęciem przesuwania urządzenia należy wkręcić śruby poziomujące do oporu. W przeciwnym razie te śruby mogą spowodować porysowanie podłogi lub unieruchomić lodówkę.

Rurka zapobiegająca skraplaniu

- Rurka zapobiegająca skraplaniu jest umieszczona wokół frontowej ściany lodówko-zamrażarki oraz na łączeniu pomiędzy komorą lodówki i komorą zamrażarki i ma na celu zapobieganie wykraplania się wilgoci.
- Szczególnie po zainstalowaniu lub wówczas, gdy temperatura otoczenia jest wysoka, może się wydawać, że lodówko-zamrażarka jest rozgrzana, co jest zjawiskiem normalnym.

Rurka zapobiegająca skraplaniu

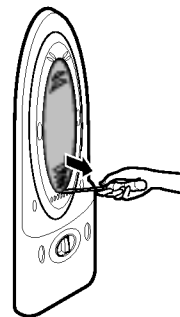


Wymiana żarówki

1. Wyjmij wtyczkę przewodu zasilającego z gniazda sieciowego.
2. Wyjmij półki z wnętrza lodówki.
3. Aby zdjąć osłonę żarówki włóż śrubokręt płaski do otworu pod osłoną, a następnie wysuń osłonę.
4. Wykręć żarówkę w kierunku przeciwnym do zegarowego.
5. Załóż wszystko w odwrotnej kolejności.

Parametry techniczne nowej żarówki muszą zgodne z wymienian.

- Należy sprawdzić stan gumowego pierścienia uszczelniającego (O-ring), który ma chronić przed iskrzeniem.



Utrzymywanie czystości

Mycie

Należy upewnić się, czy wtyczka jest wyjęta z gniazdka sieciowego.

Mycie z zewnątrz

Umyć lodówko-zamrażarkę z zewnątrz czystą szmatką zamoczoną w gorącej wodzie lub roztworze detergentu. W przypadku stosowania detergentu należy dokładnie wytrzeć umytą powierzchnię czystą mokrą ściereczką.

Mycie wewnątrz

Jak wyżej

Po umyciu

Sprawdzić, czy przewód zasilający nie jest uszkodzony, czy wtyczka nie jest przegrzana i czy wtyczka jest dokładnie włożona do gniazdka sieciowego.

Ostrzeżenie

Po umyciu wodą, urządzenie należy dokładnie wytrzeć do sucha ściereczką.

Do mycia nie wolno używać żadnych środków ściernych, nafty, benzenu, rozpuszczalników, roztworu kwasu solnego, wrzącej wody, twardej szczotki, itp., gdyż mogłoby to spowodować uszkodzenie części składowych lodówko-zamrażarki.

KRATKA i MISKA ŚCIEKOWA

1. Po wyjęciu palcami KRATKI z OTWOREM, należy powoli wysunąć MISKĘ ŚCIEKOWĄ.
2. Po wylaniu wody Z MISKI ŚCIEKOWEJ umyć i dokładnie przepłukać KRATKĘ i MISKĘ ŚCIEKOWĄ.
3. Wyrzeć suchą szmatką wilgoć wokół części DRZWI i z MISKI ŚCIEKOWEJ.

Zewnętrzne części DOZOWNIKA

Wyrzeć szmatką wilgoć itp. wokół DOZOWNIKA oraz PRZYCISKU.

ZBIORNIK WODY

1. Podnieść ZBIORNIK WODY naciskając DŹWIGNIĘ u dołu ZBIORNIKA a następnie wyjąć go.
2. Po zdjęciu POKRYWY ZBIORNIKA (DUŻEJ) umyć i dokładnie przepłukać ZBIORNIK WODY z zewnątrz i wewnątrz chemicznie obojętnym środkiem czyszczącym.

POKRYWKA ZBIORNIKA (duża i mała)

Umyć i dokładnie przepłukać POKRYWĘ ZBIORNIKA (dużą i małą) chemicznie obojętnym środkiem czyszczącym.

W szczególności rowkowaną część POKRYWY ZBIORNIKA wygodnie jest wyczyścić małą szczoteczką.

ZESPÓŁ ZAWORU DOZUJĄCEGO

Umyć i dokładnie przepłukać ZESPÓŁ ZAWORU DOZUJĄCEGO małą szczoteczką. Przepłukać zespół przestawiając dolną część zaworu. Wszystkie części składowe rozmontowane dla potrzeb czyszczenia należy uszczelnić taśmą uszczelniającą (aby uniknąć przeciekania).

Zanim zadzwonisz do punktu serwisowego, sprawdź najpierw poniższe elementy. Może to oszczędzić Ci czasu i niepotrzebnych wydatków. Poniżej przedstawiono wykaz częstych sytuacji, które nie są wynikiem wadliwego wykonania lub wad materiałowych tego urządzenia.

Objawy

Możliwe przyczyny

Lodówko-zamrażarka nie działa

- Być może wtyczka wysunęła się z gniazdka sieciowego. Dobrze włóż wtyczkę do gniazdka.
- Bezpiecznik domowej instalacji elektrycznej uległ spaleni lub zadziałał automatyczny wyłącznik przeciążeniowy. Sprawdź i/lub wymień bezpiecznik i odbezpiecz wyłącznik przeciążeniowy.
- Wystąpiła awaria zasilania. Sprawdź, czy w domu świecą się lampy.

Temperatura w komorze lodówki lub zamrażarki jest zbyt wysoka

- Pokrętko regulacji temperatury nie jest ustawione w prawidłowym położeniu. Patrz rozdział "Regulacja temperatury"
- Urządzenie jest ustawione zbyt blisko ściany lub źródła ciepła.
- Klimat jest zbyt gorący - drzwi są otwierane zbyt często.
- Drzwi pozostawały otwarte przez zbyt długi okres czasu.
- Przechowywane artykuły blokują zamknięcie drzwi lub zastaniają wyłot kanału zimnego powietrza w komorze zamrażarki.

Drgania, klekotanie lub nietypowy hałas

- Być może lodówko-zamrażarka została ustawiona na nierównym podłożu lub jest ustawiona niestabilnie. Wypoziomuj urządzenie dokonując regulacji śrubą poziomującą.
- Na tylnej ścianie lodówko-zamrażarki znajdują się zbędne przedmioty.

Szron lub kryształki lodu widoczne są na zamrożonej żywności

- Być może drzwi były zbyt długo uchylone lub przechowywane artykuły blokują zamknięcie drzwi.
- Drzwi były otwierane zbyt często lub na zbyt długi okres czasu.
- Szron wewnątrz opakowania jest zjawiskiem normalnym.

Na powierzchni obudowy występują kropelki rosy

- Takie zjawisko jest zupełnie naturalne przy dużej wilgotności. Wytrzyj obudowę suchym ręcznikiem

Objawy

Wilgoć gromadzi się wewnątrz lodówki

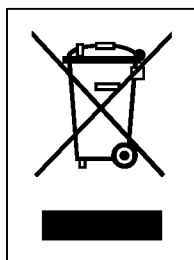
Nieprzyjemny zapach w lodówce

Drzwi nie zamykają się prawidłowo

Lampka wewnątrz zkomory nie świeci się

Możliwe przyczyny

- Drzwi były otwierane zbyt często lub na zbyt długi okres czasu.
- Przy wilgotnej pogodzie, gdy drzwi lodówki są otwarte, powietrze przynosi wilgoć do wnętrza lodówki.
- Żywność o silnej woni powinna być dokładnie nakryta lub owinięta.
- Sprawdź, czy żywność nie uległa zepsuciu.
- Wnętrze lodówki wymaga umycia.
Patrz rozdział "Utrzymywanie czystości"
- Przechowywane artykuły blokują zamknięcie drzwi. Poukładaj przechowywane artykuły tak, by nie blokowały zamykania drzwi.
- Lodówko-zamrażarka nie jest wypoziomowana. Wyreguluj ustawienie lodówki śrubami poziomującymi.
- Być może lodówko-zamrażarka została ustawiona na nierównym podłożu lub jest ustawiona niestabilnie. Podnieś nieco przednią część urządzenia dokonując regulacji śrubą poziomującą.
- Brak zasilania
- Żarówka wymaga wymiany
Patrz rozdział "Wymiana żarówki"



UTYLIZACJA STARYCH URZĄDZEŃ

1. Kiedy do produktu dołączony jest niniejszy przekreślony symbol kołowego pojemnika na śmieci, oznacza to, że produkt jest objęty dyrektywą 2002/96/EC.
2. Wszystkie elektryczne i elektroniczne produkty powinny być utylizowane niezależnie od odpadów miejskich, z wykorzystaniem przeznaczonych do tego miejsc składowania wskazanych przez rząd lub miejscowe władze.
3. Właściwy sposób utylizacji starego urządzenia pomoże zapobiec potencjalnie negatywnemu wpływowi na zdrowie i środowisko.
4. Aby uzyskać więcej informacji o sposobach utylizacji starych urządzeń, należy skontaktować się z władzami lokalnymi, przedsiębiorstwem zajmującym się utylizacją odpadów lub sklepem, w którym produkt został kupiony.

Dane techniczne

	GR-369	GR-409(Basic)	GR-409(Dispenser)
Łączna pojemność brutto/netto	283/264 ℓ	322/303 ℓ	315/296 ℓ
Pojemność zamrażki brutto/netto	104/86 ℓ	104/86 ℓ	104/86 ℓ
Pojemność chłodziarki brutto/netto	179/178 ℓ	218/217 ℓ	211/210 ℓ
Wysokość	1710 mm	1880 mm	1880 mm
Szerokość	595 mm	595 mm	595 mm
Głębokość	626 mm	626 mm	626 mm
Waga brutto	69 kg	77 kg	77 kg
Napięcie znamionowe	230V / 50Hz	230V / 50Hz	230V / 50Hz
Zdolność mrożenia	10 kg / 24 h	10 kg / 24 h	10 kg / 24 h
Średnie zużycie energii	0.96 kW / 24 h	1.01 kW / 24 h	1.01 kW / 24 h

Zmiana kierunku otwierania drzwi

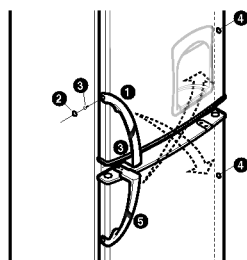
Twoja lodówko-zamrażarka jest wyposażona w odwracalne drzwi, które mogą się otwierać zarówno w prawą, jak i lewą stronę, dopasowując się do ułożenia kuchni.

Środki ostrożności

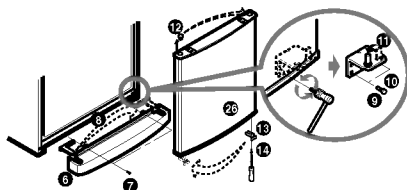
1. Przed odwróceniem drzwi najpierw wyjmij jedzenie i akcesoria, takie jak półki lub tace, które nie są przymocowane na stałe do lodówko-zamrażarki
2. Używaj klucza dynamometrycznego lub klucza do montażu i usuwania śrub.
3. Nie kładź lodówko-zamrażarki poziomo. Spowoduje to problemy.
4. Uważaj, aby nie upuścić drzwi podczas montażu lub demontażu.

Jak zmienić kierunek otwierania drzwi

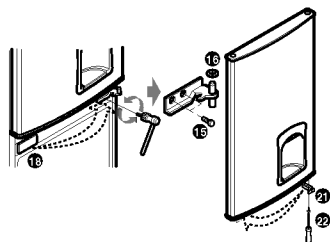
1. Usuń ŚRUBY ③ po zdjęciu ZATYCZKI ② z prawej strony UCHWYTU komory lodówki
①. Usuń 2 ŚRUBY ③ na dolnej części UCHWYTU komory lodówki ①. UCHWYT komory zamrażalnika ⑤ może również zostać oddzielony w tej samej sekwencji, co UCHWYT komory lodówki ①.



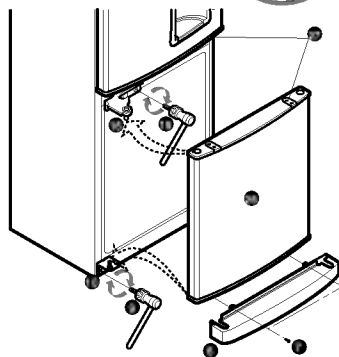
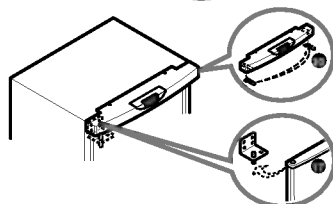
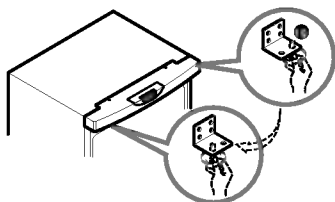
2. Usuń śrubę ⑦, usuń pokrywę ⑥ i przesunij pokrywę zatyczki ⑧. Usuń śrubę ⑨ lewego zawiasu ⑩ i usuń kołek ⑪. Wyjmij drzwi zamrażarki ⑫ i zmień pozycję zatyczki ⑬. Zmień pozycję wspornika ⑭ drzwi i śrub ⑭.



3. Usuń kołek ⑮ i wyjmij zawias-C ⑯ oraz drzwi zamrażalnika ⑰. Zmień pozycję zatyczki ⑱. Zmień pozycję zawiasu drzwi ⑳ i śrub ㉑.

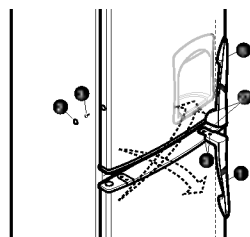


4. Zmień pozycję kołka zawiasu-U 19 i zatyczki górnej pokrywy 20. Zmontuj drzwi zamrażarki 17, zamontuj zawias-C 16 i kołek 15. Zamontuj drzwi zamrażalnika 26. Zamontuj lewy zawias 10 i kołek 9. Zamontuj dolną pokrywę 6 i śrubę 7.



5. Zainstaluj UCHWYTY 5 zainstalowane w komorze lodówki i w komorze zamrażalnika. Dopasuj dolną część UCHWYTÓW do zagłębienia i dokręć 2 śruby 3 po usunięciu zatyczki 27. Po zamocowaniu ŚRUB po stronie DRZWI komory lodówki naciśnij i włóż ZATYCZKĘ 2. Włóż ZATYCZKĘ 4 do otworu, w którym wcześniej był zainstalowany UCHWYT 1. UCHWYTY komory lodówki 1 są montowane w taki sam sposób, jak opisano powyżej.

6. Zasłonić otwór, w którym wcześniej był zainstalowany UCHWYT 1, 5 przy pomocy ZATYCZKI 27 usuniętej podczas wcześniejszej instalacji.



UWAGA

Zmiana kierunku otwierania drzwi nie podlega gwarancji.



ul. Domaniewska 41, 02-672 Warszawa
Tel.: (22)6061450, Fax: (22)6061459
<http://www.lge.pl>