

# Refrigerator

## Owner's Manual

Before installing, operating or adjusting this product, please read this instruction booklet carefully and completely.

# Table of Contents

<b>Introduction</b>	<b>Registration</b> ..... 4
	<b>Important Safety Instruction</b> ..... 4
	<b>Identification of Parts</b> ..... 6
<b>Installation</b>	<b>Installation</b> ..... 7
	<b>Starting</b> ..... 7
<b>Operation</b>	<b>Temperature Control</b> ..... 8
	<b>Quick Freeze</b> ..... 8
	<b>Vacation</b> ..... 9
	<b>Self Test</b> ..... 9
	<b>Door Alarm</b> ..... 9
	<b>Ice Making</b> ..... 9
	<b>Defrosting</b> ..... 9
	<b>Water Dispenser</b> ..... 10
<b>Suggestion On Food storage</b>	<b>Storing Food</b> ..... 12
<b>Care and Maintenance</b>	<b>General Information</b> ..... 13
	<b>Lamp Replacement</b> ..... 13
	<b>Cleaning</b> ..... 14
<b>Trouble Shooting</b>	<b>Trouble Shooting</b> ..... 16
<b>To Reverse the Doors</b>	<b>Precaution</b> ..... 18
	<b>How to Reverse the Doors</b> ..... 18

## Introduction

## Registration

The model and serial number are found on the rear of this unit. This number is unique to this unit and not available to others. You should record requested information here and retain this guide as a permanent record of your purchase. Staple your receipt here.

Date of Purchase : \_\_\_\_\_

Dealer Purchased From : \_\_\_\_\_

Dealer Address : \_\_\_\_\_

Dealer Phone No. : \_\_\_\_\_

Model No. : \_\_\_\_\_

Serial No. : \_\_\_\_\_

## Important Safety Instruction

### Precaution

This fridge-freezer must be properly installed and located in accordance with the Installation Instruction before it is used.

Never unplug your fridge-freezer by pulling on the power cord. Always grip plug firmly and pull straight out from the outlet.

When moving your appliance away from the wall, be careful not to roll over or damage the power cord.

After your fridge-freezer is in operation, do not touch the cold surfaces in the freezer compartment, particularly when hands are damp or wet. Skin may adhere to these extremely cold surfaces.

## Important Safety Instruction

### Precaution

Roll out the power plug prior to cleaning the fridge-freezer.  
Never damage, severely bend, pull out, or twist the power cord because power cord damage may cause a fire or electronic shock.  
Never place glass products in the freezer because they may be broken when their inner contents are frozen.

### Do not modify or extend the Power Cord length

It will cause electric shock or fire.



### Don't Use an Extension Cord

If possible, connect the fridge-freezer to its own individual electrical outlet to prevent it and other appliances or household lights from causing an overload.

### Accessibility of Supply Plug

The supply plug of the refrigerator-freezer should be placed in easy accessible position for quick disconnection in emergency.

### Supply Cord Replacement

If the supply cord is damaged, it must be replaced by the manufacturer or its service agent or a similarly qualified person in order to avoid a hazard.

### Danger

Risk of child entrapment.

Before you throw away your old refrigerator or freezer:  
Take off the doors.

Leave the shelves in place so that children may not easily climb inside.

### Don't store

Don't store or use gasoline or other flammable vapors and liquids in the vicinity of this or any other appliance.

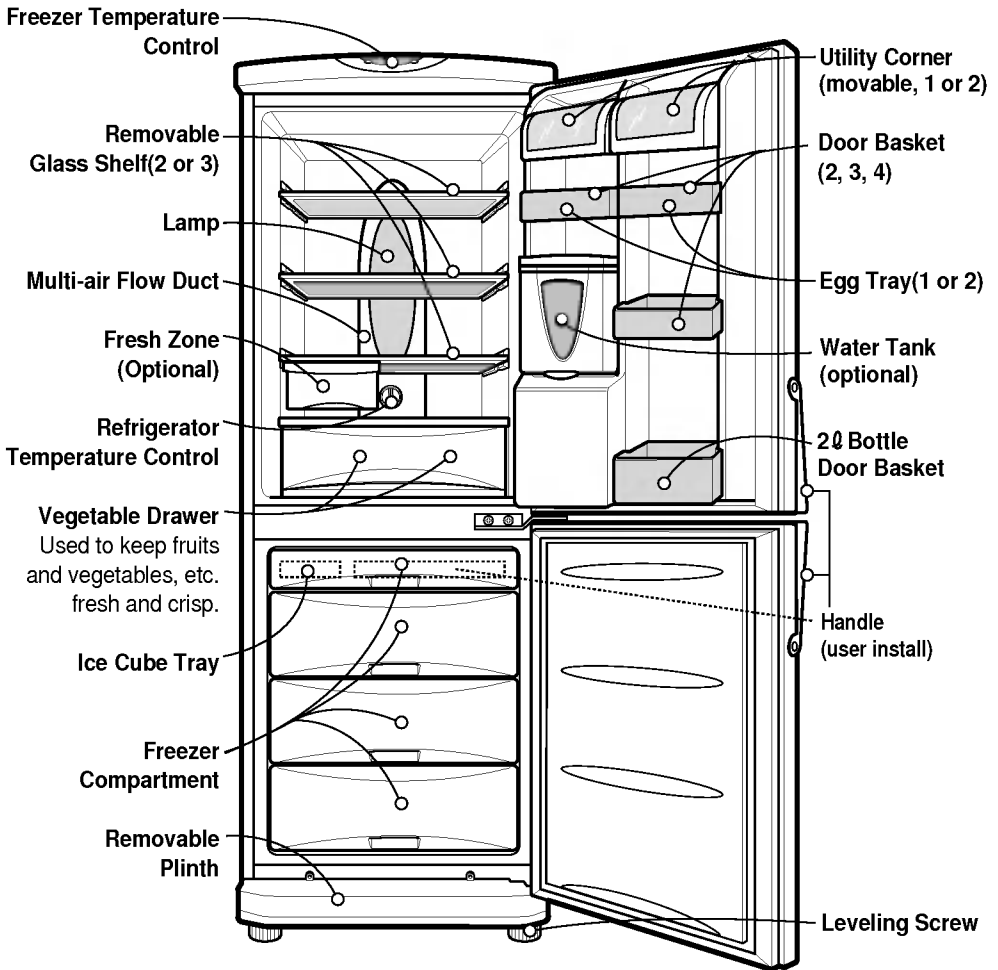
### Grounding (Earthing)

In the event of an electric short circuit, grounding (earthing) reduces the risk of electric shock by providing an escape wire for the electric current. In order to prevent possible electric shock, this appliance must be grounded. Improper use of the grounding plug can result in an electric shock. Consult a qualified electrician or service person if the grounding instructions are not completely understood, or if you have doubts on whether the appliance is properly grounded.

### ▲Warning

- ▲ Keep ventilation openings, in the appliance enclosure or in the built-in structure, clear of obstruction.
- ▲ Do not use mechanical devices or other means to accelerate the defrosting process, other than those recommended by the manufacturer.
- ▲ Do not damage the refrigerant circuit.
- ▲ Do not use electrical appliances inside the food storage compartments of the appliance, unless they are of the type recommended by the manufacturer.
- ▲ The refrigerant and insulation blowing gas used in the appliance require special disposal procedures. When disposal, please consult with service agent or a similarly qualified person.

# Identification of Parts



**Note**

If you found some parts missing from your unit, they may be parts only used in other models.

## Installation

1. Select a good location.  
Place your fridge-freezer where it is easy to use.
2. Avoid placing the unit near heat sources, direct sunlight or moisture.
3. There must be proper air circulation around your fridge-freezer to keep it operating efficiently.
4. To avoid vibration, the unit must be leveled.  
If required, adjust the leveling screws to compensate for the uneven floor.  
The front should be slightly higher than the rear to aid in door closing.  
Leveling screws can be turned easily by tipping the cabinet slightly.  
Turn the leveling screws counterclockwise( ↺ ) to raise the unit, clockwise( ↻ ) to lower it.
5. Clean your fridge-freezer thoroughly and wipe off all dust accumulated during shipping.
6. Install accessories such as ice cube box, etc., in their proper places.They are packed together to prevent possible damage during shipment.
7. Connect the power supply cord (or plug) to the outlet.  
Don't double up with other appliances on the same outlet.
8. To ensure proper air circulation around the fridge - freezer, please maintain sufficient space on both the sides as well as top and maintain at least 2 inches (5 cm) from the rear wall.

## Starting

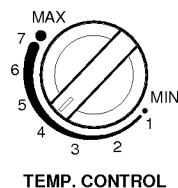
When your fridge-freezer is installed, allow it 2-3 hours to stabilize at normal operating temperature prior to filling it with fresh or frozen foods.  
If power plug is disconnected, allow 5 minutes delay before restarting.  
Your fridge-freezer is now ready for use.

## Temperature Control

Your fridge-freezer has two controls that let you regulate the temperature in the fridge and freezer compartments.

### Fridge

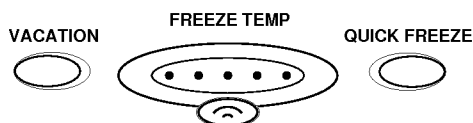
- Initially set the TEMP. CONTROL at "4". Then adjust the compartment temperature according to your desire.



- If you want an inside temperature slightly less cold or colder, turn the knob towards MIN or MAX, respectively. When the surrounding temperature is low, adjust the TEMP. CONTROL 'MIN'.

### Freezer

- Freezer temperature control is on the top of the fridge-freezer. Initially set the Freeze Temp at mid-point. By pressing the Freezer Temp button, you can adjust the temperature of the Freezer as indicated by the numbers of lamps lit. (the setting is composed of five steps, 5 lamps lit indicates coldest.)
- When you starting the Fridge-Freezer or connecting the power plug to the outlet, temperature setting is automatically set to the mid-point.



### Quick Freeze

- This function is used when you want to freeze the foods quickly. Press the 'QUICK FREEZE' button once, and then the quick freeze operation starts with the lamp lit.



The quick freeze operation takes about 3 hours.

When its operation ends, it automatically returns to the normal state.

If you want to stop the quick freeze operation, press the 'QUICK FREEZE' button once more, the lamp goes out, and the quick freeze operation stops and the refrigerator returns to the normal state.

## Vacation

This function makes the fridge-freezer work in a power saving mode which is useful for when you are away on holiday, by reducing energy consumption as much as possible. Pressing 'VACATION' starts operation with lamp ON and pressing it again stops the operation.

For better functioning, you should set the TEMP. CONTROL to "MIN".



## Self Test

This function allows you to check for operational problems. If you think you have a problem with your fridge-freezer, then press the temperature control button:

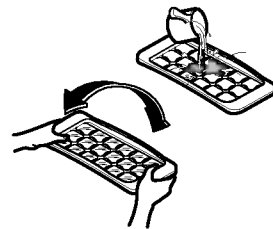
- If the indicate lights move up or down, then there is no problem with your fridge-freezer.
- If the indicate lights do not move up or down, then please leave the power connected and call your nearest service agent.

## Door Alarm

When the door of the fridge is left opened for a while, the alarm sounds.

## Ice Making

- To make ice cubes, fill the ice tray to the water level and place it in the freezer.
- If ice cubes are required fast, press the 'QUICK FREEZE' button.
- To remove ice cubes, hold the tray at its ends and twist gently.



### Tip

To remove ice cubes easily, run water on the tray before twisting.

## Defrosting

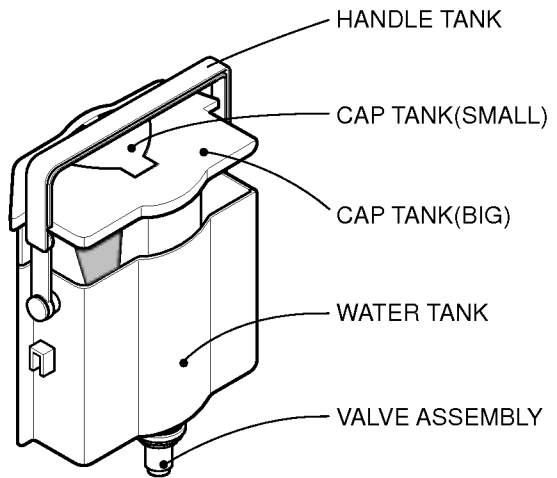
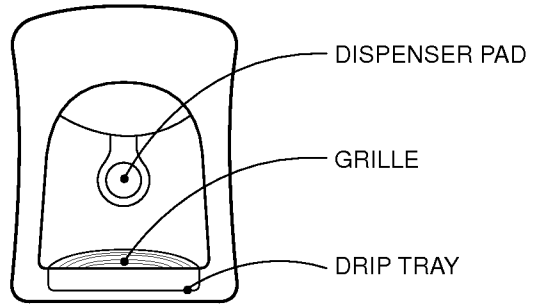
Defrosting takes place automatically.

The defrosting water flows down to the evaporating tray and is evaporated automatically.



## Water Dispenser (optional)

### Features



### Install

Please assemble the VALVE ASSEMBLY after correctly adjusting it with a DOOR HOLE.

**Filling of  
WATER TANK**

1. After turning the HANDLE Tank backward with the WATER TANK installed at the DOOR, Open the CAP TANK (SMALL) and then fill water using a kettle etc.
  - \* Fill water while watching a sight glass on the front of the WATER TANK.
  - \* Water up to 4.5ℓ can be filled.
2. Press and fix the CAP TANK(SMALL).
3. After filling spring water, fix the HANDLE TANK at a proper position.

**Drinking**

1. Press the Dispenser Pad with a cup.
2. If pressing the Pad, water inside of the Dispenser is supplied.
3. If slowly removing a cup from the Pad, water will not fall down.

**Caution**

Do not use other beverage (milk, juice, carbonated beverage etc) than spring water. Especially beverage including grain must not be used (may result in failure).

## Storing Food

- Do not store food which goes bad easily at low temperature, such as banana, and melon.
- Allow hot food to cool prior to storing. Placing hot food in the fridge-freezer could spoil other food, and lead to higher electric bills.
- When storing the food, use a container with a lid. This prevents moisture from evaporating, and helps food to keep its taste and nutrients.
- Do not block air vents with food. Smooth circulation of cold air keeps fridge-freezer temperature even.
- Do not open the door frequently. Opening the door lets warm air enter the fridge-freezer, and cause temperature to rise.
- To adjust the temperature control easily, do not store food near the temperature control dial.
- Never keep too many foods in door rack, as this may stop the door from fully closing.
- Do not store bottles in the freezer compartment - they may break when frozen.
- Do not refreeze food that has been thawed. This causes loss of taste and nutrition.

### Note

If you keep the fridge-freezer in a hot, and humid place, frequently open its door or put a lot of vegetables in it, dew may form in it, which has no effect on its performance.

Remove the dew with dust cloth free from care.

## General Information

### Power Failure

- 1~2 hour power failure does no harm to the foods stores. Try to avoid opening and closing the door too frequently.

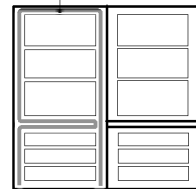
### If You Move

- Take out foods from the fridge-freezer and firmly fix the loose items with tape.
- Turn the leveling screws until they stop before moving the fridge-freezer. Otherwise the screw may scratch the floor or the fridge-freezer cannot move.

### Anti Condensation Pipe

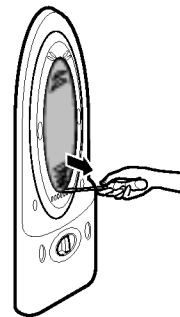
- The Anti-Condensation pipe is installed around the front side of fridge-freezer as well as on the partition between fridge compartment and freezer compartment to prevent dewing.
- Especially after installation or when ambient temperature is high, the fridge-freezer may feel hot, which is quite normal.

Anti-Condensation Pipe



## Lamp Replacement

1. Unplug the power cord from the outlet.
2. Remove fridge shelves.
3. To remove the lamp cover, insert ⊖ type driver in the underside of the lamp cover and pull it out forwards.
4. Turn the lamp counterclockwise.
5. Assemble in reverse order of disassembly.  
Replacement lamp must be the same specification as original.
  - You must check the O-RING, which is made by rubber and prevent electric spark.



## Cleaning

### Before Cleaning

Be sure to unplug the power.

### Exterior

Clean the outside of the fridge-freezer with a soft cloth soaked with hot water or liquid detergent. If you use a detergent, be sure to wipe it with a clean wet cloth.

### Interior

As above.

### After Cleaning

Check that the power cord is not damaged, power plug has not overheated, and that the power plug is tightly inserted into the outlet.

### Warning

Be sure to dry the appliance with a cloth after washing it with water.

Do not use abrasive, petroleum, benzene, thinner, hydrochloride acid, boiling water, rough brush, etc, as they may damage parts of the fridge-freezer.

### **GRILLE and DRIP TRAY**

1. After removing the HOLE part of the GRILLE with the finger, slowly pull the DRIP TRAY out.
2. After discharging Drip Water inside of the DRIP TRAY, clean and fully rinse the GRILLE and the DRIP TRAY.
3. Wipe moisture out around the DOOR part and the DRIP TRAY using a clean cloth.

### **Exterior Dispenser**

Wipe moisture etc out outside of Dispenser and on the Dispenser Pad using a cloth.

### **Water Tank**

1. Lift the WATER TANK up by pressing the fixing LEVER on the bottom of WATER TANK and then remove it.
2. After removing the CAP TANK (BIG), clean and fully rinse the inside/outside part of the WATER TANK by using neutral cleansing agent.

### **Cap Tank(Big & Small)**

Clean and fully rinse the Cap Tank (Big & Small) by using neutral cleansing agent.

Especially for the groove part of the CAP TANK, it is convenient to cleanse it by using a small brush.

### **Valve Assembly**

Clean and fully rinse the VALVE ASSEMBLY by using a small brush. Rinse it while operating the bottom part of the valve assembly. Always fix the Sealing Rubber separated for cleansing at the existing position (may result in water leakage).

**Before calling for service, check this list. It may save you both time and expense. This list includes common occurrences that are not the result of defective workmanship or materials in this appliance.**

Problem	Possible Causes
<b>Fridge-Freezer does not operate</b>	<ul style="list-style-type: none"><li>• Power plug may be unplugged from the electric outlet. Plug it in securely.</li><li>• House fuse has blown or circuit breaker has tripped. Check and/or replace fuse and reset circuit breaker.</li><li>• Power cut. Check house lights.</li></ul>
<b>Fridge or Freezer Compartment Temperature too warm</b>	<ul style="list-style-type: none"><li>• Temperature control not set on proper position. Refer to Temperature Control section.</li><li>• Appliance is placed close to heat source.</li><li>• Warm weather-frequent door openings.</li><li>• Door left open for a long time.</li><li>• Package holding door open or blocking air duct in freezer compartment.</li></ul>
<b>Vibration or Rattling or Abnormal Noise</b>	<ul style="list-style-type: none"><li>• The floor on which the fridge-freezer is installed may be uneven or the fridge-freezer may be unstable. Make it even by rotating the leveling screw.</li><li>• Unnecessary objects placed in the back side of the fridge-freezer.</li></ul>
<b>Frost or Ice Crystals on frozen Food</b>	<ul style="list-style-type: none"><li>• Door may have been left ajar or package holding door open.</li><li>• Too frequent or too long door openings.</li><li>• Frost within package is normal.</li></ul>
<b>Moisture forms on Cabinet Surface</b>	<ul style="list-style-type: none"><li>• This phenomenon is likely to occur in a wet space. Wipe it with a dry towel.</li></ul>

Problem	Possible Causes
<b>Moisture collects inside</b>	<ul style="list-style-type: none"><li>• Too frequent or too long door openings.</li><li>• In humid weather, air carries moisture into fridge when doors are opened.</li></ul>
<b>Fridge has odor</b>	<ul style="list-style-type: none"><li>• Foods with strong odors should be tightly covered or wrapped.</li><li>• Check for spoiled food.</li><li>• Interior needs cleaning. Refer to CLEANING section</li></ul>
<b>Door not closing properly</b>	<ul style="list-style-type: none"><li>• Food package is keeping door open. Move packages that keep door from closing.</li><li>• Fridge-freezer is not level. Adjust the leveling screws.</li><li>• The floor on which the fridge-freezer is installed may be uneven or the fridge-freezer may be unstable. Slightly raise the front side with the leveling screw.</li></ul>
<b>Interior light does not work</b>	<ul style="list-style-type: none"><li>• No power at outlet.</li><li>• Light lamp needs replacing. Refer to the Lamp Replacement section</li></ul>



# To Reverse the Doors

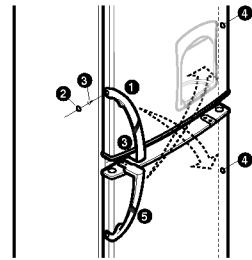
Your fridge-freezer is designed with reversible doors, so that they may open from either the left or right hand side to suit your kitchen design.

## Precaution

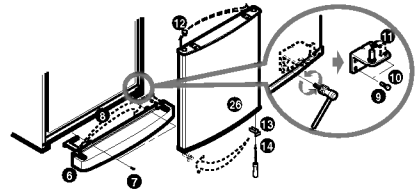
1. Before reversing the door, first of all, you should take out food and accessories like shelves or trays which are not fixed in the fridge-freezer.
2. Use Torque Wrench or Spanner to fix or remove the bolt.
3. Do not lay the fridge-freezer down. This will cause problems.
4. Be careful not to drop the doors in disassembling or assembling.

## How to Reverse the Doors

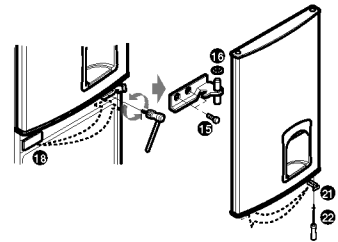
1. Remove SCREWS ③ after removing a CAP ② from the right part of the refrigerator room HANDLE ①. Remove 2 SCREWS ③ on the bottom part of the refrigerator room HANDLE ①. The freezer room HANDLE ⑤ may be also separated in the same sequence as in the refrigerator room HANDLE ①.



2. Remove screw ⑦ and remove Cover ⑥ and move Cap Cover ⑧. And, remove screw ⑨, Hinge-L ⑩, and remove pin ⑪. Remove the Freezer Door ⑫, and move the position of the cap ⑬. Move the position of bracket door ⑭ and screw ⑮.



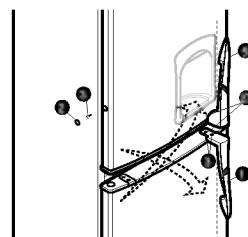
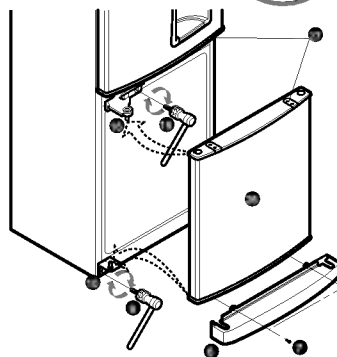
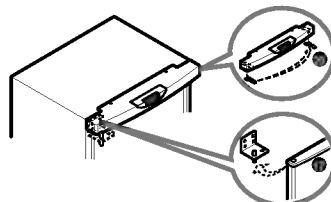
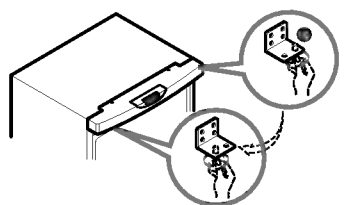
3. Remove bolt ⑮ and remove the Hinge-C ⑯ and the Fridge Door ⑰. Move the position of the cap ⑱. Move the position of bracket door ⑳ and screw ㉑.



4. Move the position of Hinge-U pin **19**, and Cap, Top cover **20** Assemble the Fridge Door **17** Assemble Hinge-C **16** and bolt **15** Assemble F-Door **25**. Assemble the Hinge-L **10** and bolt **9**. Assemble Low Cover **6** and screw **7**.

5. Install HANDLES **5** installed at the existing freezer room, at the refrigerator room. Adjust the bottom part of HANDLES to the groove and then fasten 2 screws **3** after removing the CAP **7**. After bolting SCREWS in the side of the refrigerator room DOOR, press and insert the CAP **2**. Insert the CAP **4** to hole which the HANDLE **1** was installed previous. The freezer room HANDLES **1** are assembled in the same manner as above using the existing.

6. Stop the groom where the existing HANDLE **1**, **5** was installed at by using the CAP **7** removed in the initial installation.



**Note**

Reversing the doors is not covered by the warranty.





# 雪櫃

## 用戶手冊

安裝、操作或調校此產品前，請先仔細閱讀本手冊。

# 目錄

介紹	註冊	4
	重要安全指示	4
	各部名稱	6
安裝	安裝	7
	開始使用	7
操作	溫度控制	8
	快速冷凍	8
	休假外出時使用	9
	自行測試	9
	冰箱門未關警示	9
	製冰	9
	除霜	9
	給水器	10
食物存放建議	存放食物	12
保養和維修	一般資訊	13
	燈泡更換	13
	清潔	14
疑難排除	疑難排除	16
更換冰箱開門方向	注意事項	18
	如何更換冰箱開門方向	18

介紹

## 註冊

機型和序號位於本裝置的背面。序號為本裝置所獨有，不與其他裝置共用。您應該在本手冊內記下此必要的資訊並妥善保存手冊，作為您購買的永久證明。請將您的收據裝訂於此。

購買日期： \_\_\_\_\_

經銷商： \_\_\_\_\_

經銷商住址： \_\_\_\_\_

經銷商電話： \_\_\_\_\_

機型型號： \_\_\_\_\_

序號： \_\_\_\_\_

注意事項

## 重要安全指示

使用前，必須先正確安裝並符合安裝指示放置冰箱。切勿拉扯電源線來拔除冰箱的插頭。請握住插頭後再從供電插座上拔除插頭。  
將冰箱從牆邊搬移時，請小心不要纏住或損毀電源線。冰箱開始運作後，請勿碰觸冰箱隔間內的冰冷表面，尤其當雙手潮濕時，因為這樣皮膚可能會被冰凍的表面黏住。

## 重要安全指示

### 注意事項

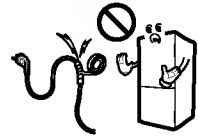
清潔冰箱前，請先拔除電源插頭。

切勿損毀、用力扭曲、拉扯或扭轉電源線，因為損毀的電源線可能會引起火災或電擊。

切勿將玻璃容器放置在冷凍庫內，以避免玻璃容器內的液體因冷凍膨脹而導致玻璃破裂。

### 請勿改裝或加長電源線的長度

否則將引起電擊或火災。



### 請勿使用延長線

請盡可能將冰箱連接在原本的供電插座上，以避免因為與其他家電共用同一插座而導致電量超載。

### 供電插頭的位置

冰箱的供電插頭應位於緊急情況下容易拔除的位置。

### 電源線

若電源線損毀，則須由製造商、其服務代理商或相似的合格人員進行更換，以免造成危險。

### 危險

兒童困住的危險。

丟棄您舊的冰箱或冷凍櫃前：請先拆除門。

請勿拆除隔版，以免兒童輕易爬入。

### 請勿存放

請勿在冰箱其他電器附近內存放或使用汽油或其他易燃噴霧或液體。

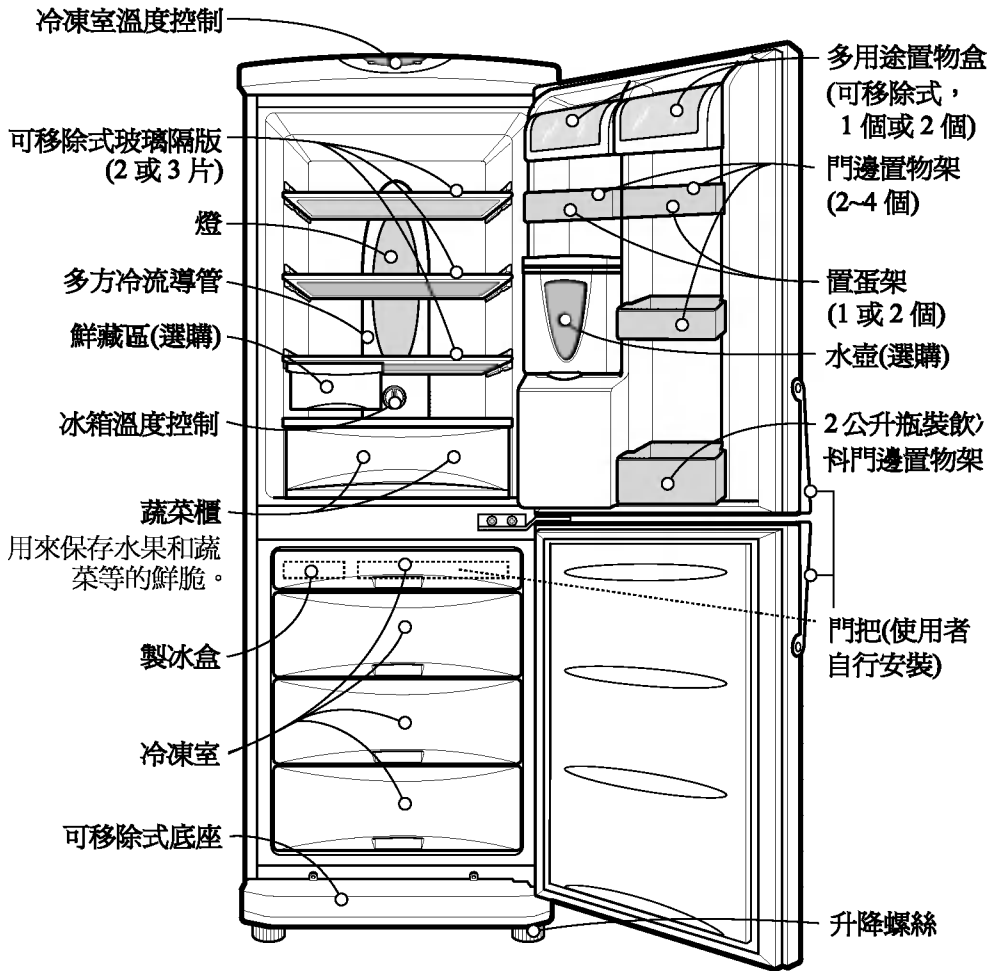
### 接地(電器接地)

電路短路時，接地(電器接地)可藉由電流的外接線來降低電擊的危險。為避免發生電擊，本裝置必須接地。不正確地使用接地插頭可能會導致電擊。若您無法完全了解接地的指示說明，或您對於裝置是否正確接地有疑問，請洽詢合格的電工或維修人員。

### 警告

- ⚠ 保持裝置內部或內部構造的通風口通風良好。
- ⚠ 請勿使用非製造商建議的機械裝置或其他方法加速除霜程序。
- ⚠ 請勿損毀冷卻電路。
- ⚠ 請勿在食物除藏室內使用非製造商建議使用的電器裝置。
- ⚠ 本裝置內使用的冷卻和絕緣冷煤需要特殊的廢棄處理程序。廢棄時請詢問維修代理商或類似的合格人員。

## 各部名稱



### 注意

若您發現裝置內遺漏部分元件，可能是因為您所使用的是不同機型。



## 安裝

1. 選擇適合的位置。將您的冰箱放置在方便使用的地方。
2. 避免將裝置安放在靠近熱源、陽光直射或潮濕的地方。
3. 冰箱周圍必須通風良好以確保有效的運作。
4. 為避免搖晃，本裝置必須保持水平。若有必要，請調整升降螺絲以適合不平坦的地板。裝置前端必須稍微高於後端以便關門。稍微地傾斜裝置即可以轉動升降螺絲。將升降螺絲反時針方向旋轉即可升高裝置，順時針旋轉即可降低裝置。
5. 搬運時，請徹底清潔您的冰箱並擦拭所有積聚的灰塵。
6. 請正確地安裝製冰盒等配件。運送時配件為一起包裝，以避免可能的損壞。
7. 將電源線(或插頭)連接至供電插座上。請勿與其他電器共用同一個插座。
8. 為確保冰箱周圍的空氣得以順暢地流通，請讓冰箱的兩側與上方留有足夠的空間，並使其距離後方的牆壁2英吋(5公分)以上。

## 開始使用

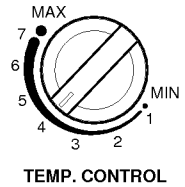
當您的冰箱安裝完畢時，請先等待 2 至 3 小時，讓冰箱在正常的操作溫度下穩定運作後，再放入冷藏或冷凍食品。若電源中斷，請等待 5 分鐘後再重新啟動冰箱。您現在可以使用冰箱。

## 溫度控制

您的冰箱有兩個溫度控制，可讓您調節冷藏室和冷凍室的溫度。

### 冷藏室

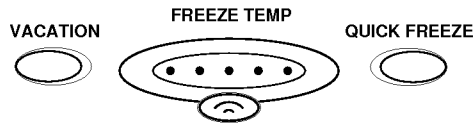
- 請先設定 TEMP.CONTROL 為“4”，然後再依照您的需求調整室溫。



- 若您希望是內溫度較不冷或較冷時，請向 MIN 或 MAX 轉動旋鈕。當周圍溫度已經很低時，請調整 TEMP.CONTROL 至“MIN”。

### 冷凍室

- 冷凍室溫度控制在冰箱的上方。請先將 Freeze Temp 設在中點。您可以壓下 Freeze Temp 按鈕，根據亮燈指示的數字來調整冷凍室的溫度。(設定值為五個等級，五個燈為最冷。)
- 當您啓動冰箱或連接電源插頭至供電插座時，溫度設定會自動設為中點。



### 快速冷凍

- 本功能可讓您想要快速冷凍食物時使用。按一下“QUICK FREEZE 按鈕”，然後快速冷凍燈會亮起並開始運作。快速冷凍運作約需 3 小時。運作結束後，會自動返回一般狀態。若您想要停止快速冷凍運作，再按一下“QUICK FREEZE”按鈕，快速冷凍燈會關閉，此時快速冷凍停止運作並返回一般狀態。



休假外出時使用

本功能可讓冰箱以省電模式運作來降低耗電量，方便您因假期遠遊時使用。按下“VACATION”即可啓動該功能運作，此時 ON 燈會亮起；再按一次即可停止該功能運作。爲達更好的效果，您應該將 TEMP.COMTROL 設爲“MIN”。



自行測試

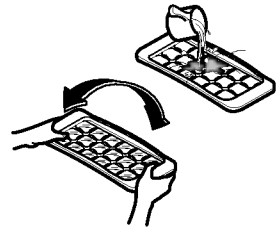
本功能可讓您檢查運作上的問題。若您覺得您的冰箱有問題，請按下溫度控制按鈕：  
 -若指示燈向上或下移動，則冰箱沒有問題。  
 -若指示燈沒有上下移動，請保持冰箱的電力供應並連絡您的維修代理商。

冰箱門未關警示

若冰箱門開啓一段時間，則警示會響起。

製冰

- 若要製冰，用水填滿製冰盒並放置在冷凍室內。
- 若需要快速製冰，按下“QUICK FREEZE”按鈕。
- 若要取出冰塊，握住製冰盒兩端並輕輕扭轉。



訣竅

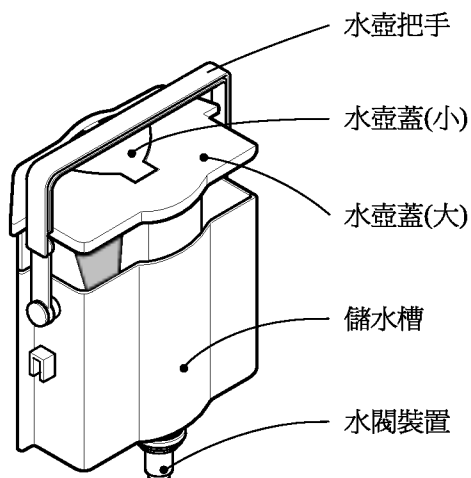
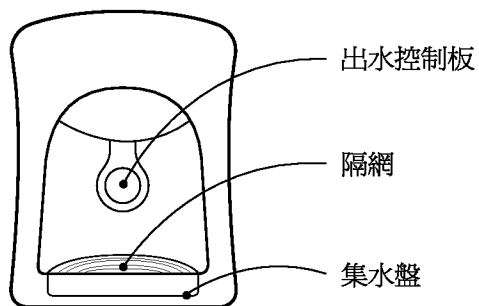
若要更容易地取出冰塊，在扭轉製冰盒前，將水倒在置冰盒上。

除霜

自動進行除霜作業。  
 除霜的水會流進蒸發托盤內並自動蒸發。

## 給水器(選購)

### 各部功能



### 安裝

請在冰箱門置物架上的洞口調整好水閥裝置後再進行組裝。

### 儲水槽注水

1. 將水壺把手背面安裝在門上後，再將水壺蓋(小)打開並用其他水壺等容器將水注入。
  - \* 請一邊觀察儲水槽前方的測量器一邊將水注入儲水槽內。
  - \* 可注入 4.5 公升的水。
2. 將水壺蓋(小)蓋緊。
3. 注入水後，調整水壺把手的位置。

### 飲用

1. 用杯子將出水控制板向後壓。
2. 壓下控制板後，給水器內的水便會流出。
3. 移開杯子，給水器便會停止供水。

### 小心

請勿使用水以外的其他飲料(牛奶、果汁、氣泡飲料等等)。  
尤其是請勿使用含有鹽類的飲料(可能會導致故障)。

### 存放食物

- 請勿存放在低溫下容易腐敗的食物，例如香蕉和瓜類。存放熱食前請先將食物放至冷卻。將熱食直接放入冰箱可能會讓其他食物腐敗，並消耗更多電費。
- 請用有蓋的容器存放食物。這樣可以避免食物的水分蒸發，保留食物的風味和營養。
- 請勿讓食物阻擋通風口。流暢的冷空氣才能讓冰箱內的溫度保持一致。
- 請勿頻繁地打開冰箱門。打開冰箱門會讓熱空氣進入冰箱內，提高冰箱內的溫度。
- 若要方便調整溫度控制，請勿將食物放在太靠近溫度控制調節器的地方。
- 切勿將太多食物放置在門邊置物架上，以免無法完全地關上冰箱門。
- 請勿將瓶裝物放置在冷凍室內-瓶子可能會因冷凍而碎裂。
- 請勿將解凍過後的食物重新冷凍。這樣食物可能失去風味和流失營養。

### 注意

若您將冰箱放置在溼熱的位置，頻繁地打開冰箱或存放大量的蔬菜時，可能會產生水滴，這並不會影響冰箱的功能。請勿擔心，用抹布將水滴擦拭乾淨即可。

## 一般資訊

### 停電時

- 1 至 2 小時的停電對存放的食物不會有影響。請盡量不要於此時頻繁地開關冰箱門。

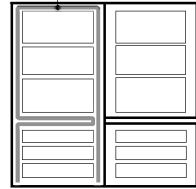
### 若您需要移動冰箱

- 請取出冰箱內存放的食物，並用膠帶將冰箱內的配件黏牢。
- 移動冰箱前，請先轉動升降螺絲到底。否則螺絲可能會刮傷地板，或是無法移動冰箱。

### 防冷凝管

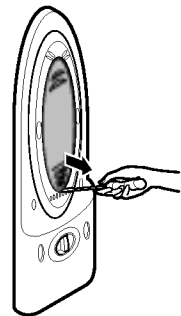
- 防冷凝管安裝在冰箱前門的周邊以及冷凍室和冷藏室之間，用來避免滴水。
- 尤其在安裝後或環境溫度過高時，冰箱可能會發熱，但這為正常現象。

Anti-Condensation Pipe



## 燈泡更換

1. 從供電插座上拔除電源線。
  2. 移除隔板。
  3. 要移除燈罩，請用一字起插入燈罩下方後再向前拉。
  4. 反時針方向轉動以取出燈泡。
  5. 順時針方向安裝新的燈泡。
- 您必須檢查橡皮圈(O-RING)。橡皮圈為橡膠製品，可防止電擊火花。



## 清潔

### 清潔前

請確定已拔除電源。

### 冰箱外部

請用熱水或液態去污劑沾濕柔軟的布來清潔冰箱外部。若您使用去污劑，請確定最後用乾淨的濕布擦拭乾淨。

### 冰箱內部

同上。

### 清潔後

請檢查電源線是否損壞、電源插頭是否過熱，以及電源插頭是否已牢固地插在供電插座上。

### 警告

用水清潔後，請務必用布擦乾。

請勿使用研磨劑、石油類、苯類、稀釋劑、鹽酸、熱開水、粗刷子等，因為這樣可能會造成冰箱損壞。



**隔網和集水盤**

1. 用手指拉住隔網的 隙取出隔網，然後再慢慢拉出集水盤。
2. 倒出集水盤內的水後，清潔並徹底沖洗隔網和集水盤。
3. 請用乾淨的布擦拭冰箱門週邊的積水和集水盤。

**給水器的表面**

請用乾淨的布擦拭給水器和出水控制板表面的積水。

**儲水槽**

1. 壓下儲水槽底部的固定桿來取出儲水槽。
2. 取出水壺蓋 (大)後，用中性清潔劑清潔並徹底沖洗儲水槽的內/外部份。

**水壺蓋(大&小)**

請用中性清潔劑清潔並徹底沖洗水壺蓋(大&小)。

**水閥裝置**

請用刷子輕潔並徹底沖洗水閥裝置。操作水閥裝置底部時請進行沖洗。請記得在清潔後將密封橡膠裝回原位(否則可能會導致漏水)。

尋求維修服務前，請先與本清單內容核對，可能讓您節省下時間和可能的花費。本清單包括了非產品缺陷導致的一般性問題。

問題	可能的原因
冰箱無法運作	<ul style="list-style-type: none"><li>● 可能是電源插頭已被拔除。 請將插頭插好至電源插座。</li><li>● 家庭保險絲燒掉或斷路器啟動。 檢查並/或更換保險絲並重設斷路器。</li><li>● 電源中斷。 檢查居家照明。</li></ul>
冷藏室或冷凍室 溫度過高	<ul style="list-style-type: none"><li>● 溫度控制未設至合適的位置。 請參閱溫度控制章節。</li><li>● 冰箱位置太過靠近熱源。 在溫暖的環境下開啓冰箱次數過於頻繁。</li><li>● 冰箱門開啓過久。 食物包裝導致門未關好或是阻擋了冷凍室的氣流導管。</li></ul>
晃動、雜聲或不 正常的噪音	<ul style="list-style-type: none"><li>● 放置冰箱的地板可能不為水平或是冰箱本身穩定度不夠。 旋轉升降螺絲進行調整。</li><li>● 冰箱後方放置了其他多餘的東西。</li></ul>
冷凍食品上的結 霜或結冰	<ul style="list-style-type: none"><li>● 冰箱門可能沒有關上或是食品包裝卡住讓門無法關上。</li><li>● 開啓冰箱門的次數過於頻繁。</li><li>● 食品包裝內結霜為正常現象。</li></ul>
儲存箱表面的積水	<ul style="list-style-type: none"><li>● 潮濕環境下可能會發生此現象。 請用乾毛巾擦拭。</li></ul>

## 問題

## 可能的原因

## 冰箱內部聚積水份

- 開啓冰箱門的次數過於頻繁
- 在潮濕的氣候下，開啓冰箱時流進的空氣夾帶水分。

## 冰箱有異味產生

- 應該密實地覆蓋或包裝有強烈氣味的食物。
- 檢查是否有食物腐敗。
- 冰箱內部需要清潔。
- 請參閱清潔章節。

冰箱門無法正確  
關上

- 食物包裝卡住使門無法關上。  
移開卡住門的食物包裝。
- 冰箱歪斜。  
調整升降螺絲。
- 放置冰箱的地板可能不平或是冰箱本身穩定度不夠。  
請旋轉升降螺絲以稍微升高冰箱前側。

## 冰箱內燈不亮

- 供電插座並未供電。
- 燈泡需要更換。  
請參閱燈泡更換章節

# 更換冰箱開門方向

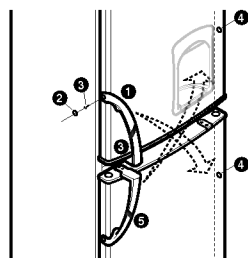
您的冰箱設計成可左右更換冰箱的開門方向，因此您可以依照廚房設計將開門方向安裝在左邊或右邊。

## 注意事項

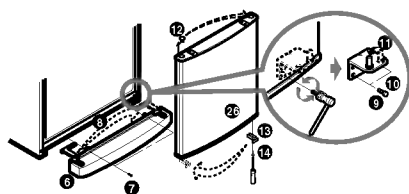
1. 變更冰箱門的方向前，您必須先將食物和沒有固定住的隔板或托盤等配件取出。
2. 使用扭力扳手或螺絲板手固定或鬆開螺栓。
3. 請勿將冰箱整個倒下。這樣可能會引起故障。
4. 拆解或安裝時，請小心不要摔到冰箱門。

## 如何更換冰箱開門方向

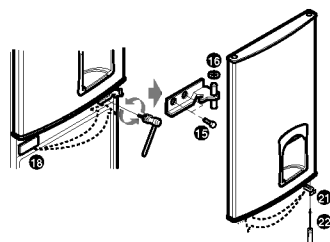
1. 移除冷藏室手把右方的螺絲帽②後，再移除螺絲③。移除冷藏室手把底部的螺絲②。請依照移除冷藏室手把的順序移除冷凍室的手把。



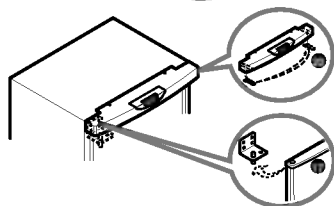
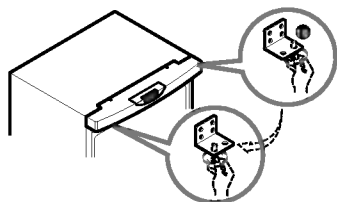
2. 移除螺絲⑦和底蓋⑥，並移除螺絲帽蓋⑧。然後移除螺絲⑨、左方鉸鏈⑩和栓⑪。移除冷凍室門⑫並移動螺絲帽⑬的位置。移動支架門⑭和螺絲⑮的位置。



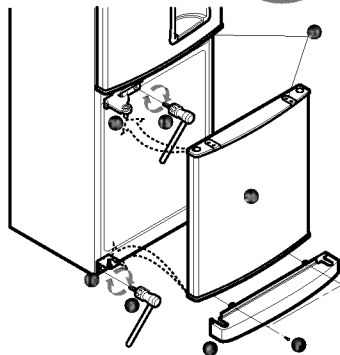
3. 移除栓⑮、中間鉸鏈⑯和冷藏室門⑰。移動螺絲帽的位置⑱。移動支架門⑳和螺絲㉑的位置。



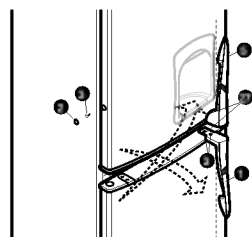
4. 移動上方鉸鏈栓 ① 和螺絲帽、頂蓋 ② 的位置。裝上冷藏室門 ③。裝上中間鉸鏈 ④ 和栓 ⑤。裝上前門 ⑥。裝上左方鉸鏈 ⑦ 和栓 ⑧。裝上底蓋 ⑨ 和螺絲 ⑩。



5. 將原本裝在冷凍室的把手 ① 安裝在冷藏室上。移除螺絲帽 ② 後，依照溝紋調整把手底部並鎖上兩個螺絲 ③。在冷藏室門上栓上螺絲後，壓入螺絲帽 ④。將螺絲帽 ⑤ 塞在之前門把 ① 安裝的孔內。請依照上述安裝冷藏室手把的方法安裝冷凍室的手把。



6. 用原先安裝上所移除的螺絲帽 ① 裝在現在的把手 ② 和 ③ 上，即可完成安裝。



**注意**

更換冰箱開門的方向不在保固的範圍之內。

