

| | | | |
|----------|-------------|-------------------|----------------|
| Model | CYKING-2 | | |
| Language | ENGLISH | | |
| Page | 20 | Color(cover/body) | 2/2 |
| Material | Weight 100g | Size(W*H) | 190*260 |
| Date | 2005/11/09 | Designer | wangjian |
| Part No. | 3828F12839F | Description | MANUAL, OWNERS |

Chage Record

| No. | Change content | ECO No. | Date | Designer | Confirm |
|-----|------------------|------------|----------|----------|---------|
| ① | new filter apply | AVT1506320 | 05.11.09 | wangjian | CYT |
| ② | | | | | |
| ③ | | | | | |
| ④ | | | | | |
| ⑤ | | | | | |
| ⑥ | | | | | |
| ⑦ | | | | | |
| ⑧ | | | | | |
| ⑨ | | | | | |

OWNER'S MANUAL

V-C7770CT/CTU/CTV

V-C7770CE/CEU

Bagless vacuum cleaner





Table of contents

| | |
|--|----|
| Information for Your Safety | 3 |
| How to Use | 4 |
| Assembling the Cleaner | 4 |
| Using the cleaning head and Accessories..... | 6 |
| Emptying the Dust Chamber | 8 |
| Operation..... | 9 |
| Adjusting the Suction power | 9 |
| Park-System | 9 |
| Cleaning the Motor Filter / Air Cleaner | 10 |
| Cleaning the Dust Chamber | 11 |
| Cleaning the Exhaust Filter | 11 |
| User's Guide for Sani Punch Vacuum Head | 12 |
| Features | 12 |
| Cleaning the Sani Punch | 14 |
| What to Do if your Vacuum Cleaner Does Not Work..... | 16 |
| What to Do When Suction Performance Decreases | 16 |



Information for Your Safety

Please read all the following information, which contains important instructions for the safety, the use and the maintenance of the appliance.

This appliance complies with the following EC Directives: -73/23/EEC, 93/68/EEC-Low Voltage Directive-89/336EEC -EMC Directive.

- Never allow children to use the appliance unsupervised.
- Do not use the appliance if the power cable is damaged or faulty.
- If the power cable is damaged, it must be replaced by an approved LG Electronics Service Agent to avoid a hazard.
- Always switch the vacuum cleaner off before:
 - Emptying the dust chamber.
 - Cleaning or changing the filters.
- Do not vacuum flammable or explosive substances (liquids or gases).
- Do not vacuum hot ash, embers etc. or sharp objects.
- Do not vacuum water or other liquids.
- When you vacuum with an attachment appliance that has a rotating brush roller:
 - Do not touch any moving parts.

Important for users in the UK.

The wires in the mains lead of this appliance are coloured in accordance with the following code:

BLUE-neutral

BROWN - live

VERY IMPORTANT:

Do not earth the appliance. If a 13 amp plug is fitted, fit a 13 amp **BS 1362 fuse**.

If any other type of plug is used, protect with a 15 amp fuse at the distribution board.

For appliances which come with mains lead and plug moulded on: the plug moulded on to the cable incorporates a fuse.

For replacement use a 13 amp BS 1362 fuse.

Only ASTA approved or certified fuses should be used.

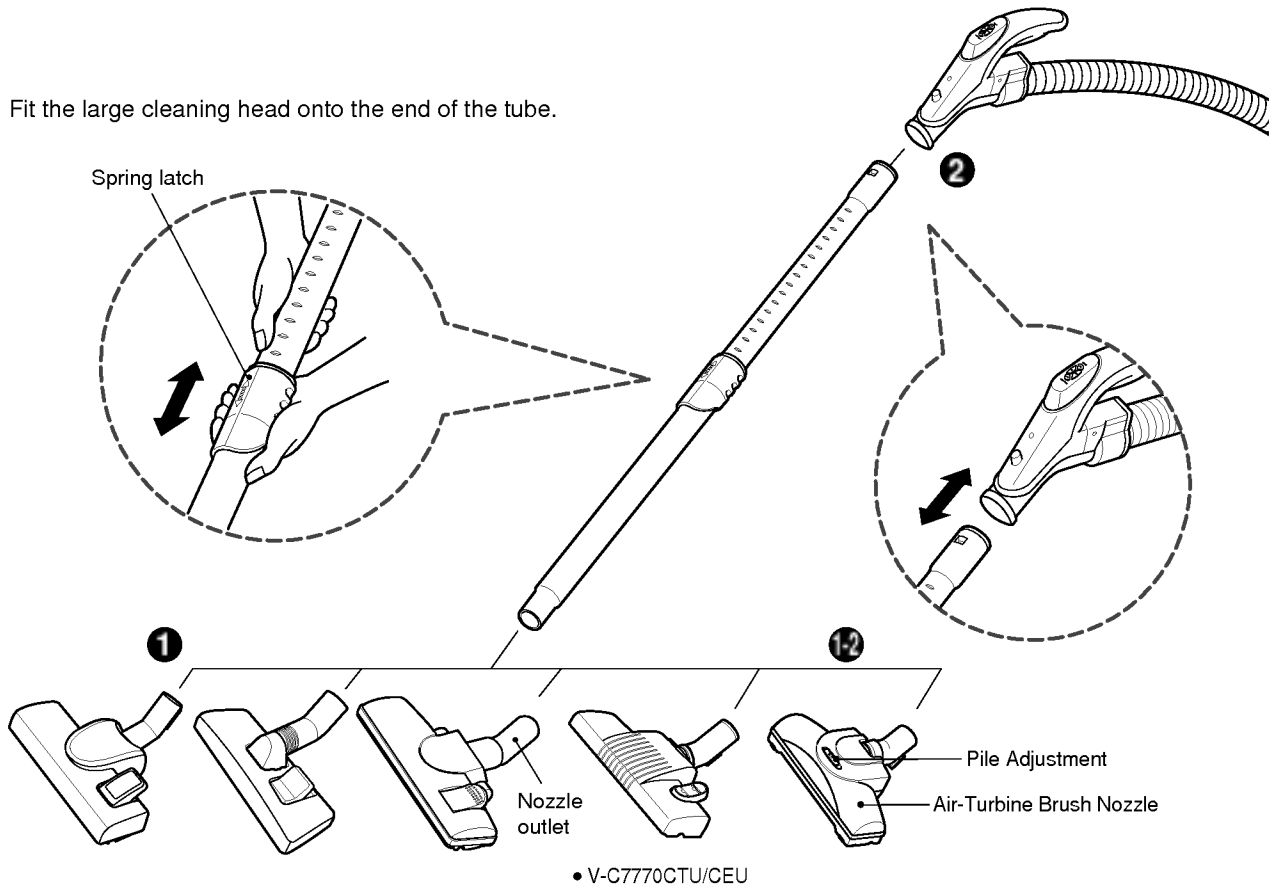
The plug must not be used if the fuse cover/carrier is lost.

A replacement cover carrier must be obtained from authorised electrical goods retailers.



Assembling the Cleaner

Fit the large cleaning head onto the end of the tube.



1 Large cleaning head

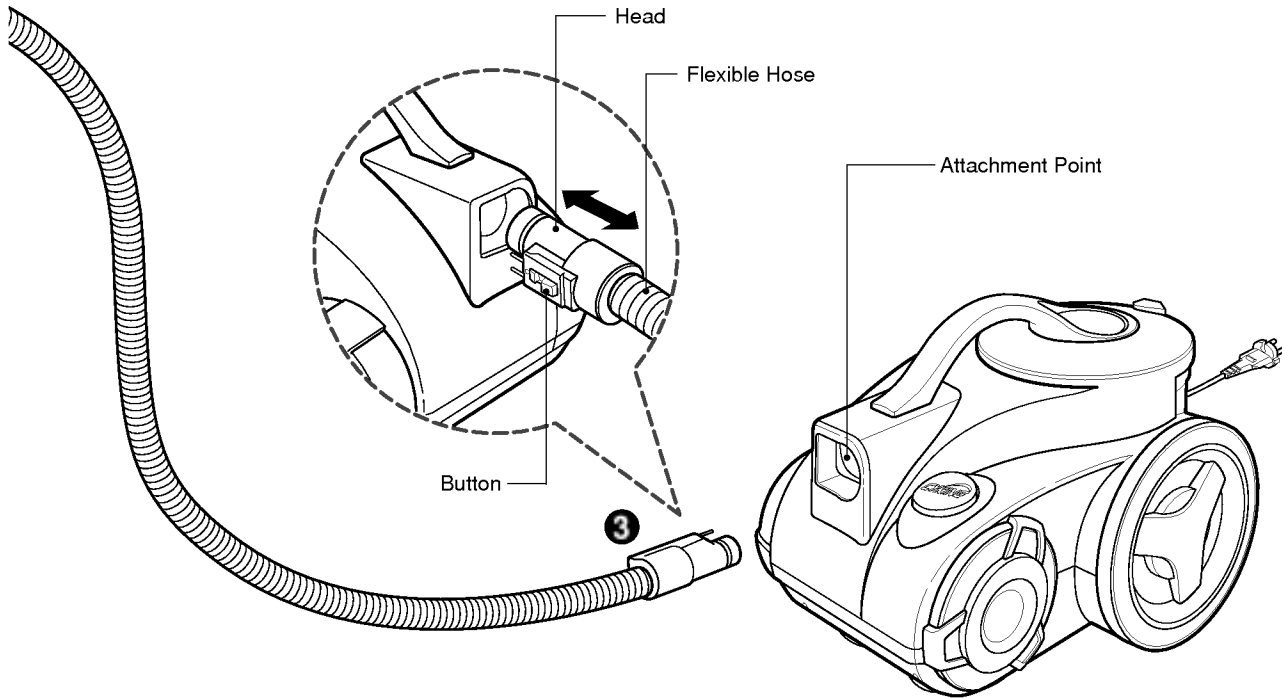
Push the head onto the telescopic tube.

2 Air-Turbine Brush

Push telescopic tube into nozzle outlet.

3 Telescopic tube

- Press the spring latch to release.
- Pull out the tube to the desired length.
- Release spring latch to lock the tube in position.
- Push telescopic tube into hose handle until catch clicks.



3 Connecting the hose to the cleaner

Push the end of the head on the flexible hose into the attachment point on the vacuum cleaner. To remove the flexible hose from the vacuum cleaner, press on the button situated on the head, then pull the head out of the vacuum cleaner.

CAUTION

- Suction power may be weakened when insignificant dusts are sucked. In this case, clean the filter.
- Make the dust box empty if dusts are filled to the maximum degree and then clean the filter when it becomes 5 times.

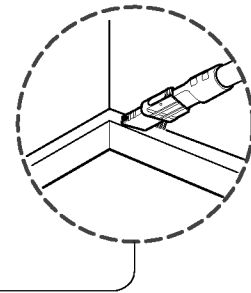
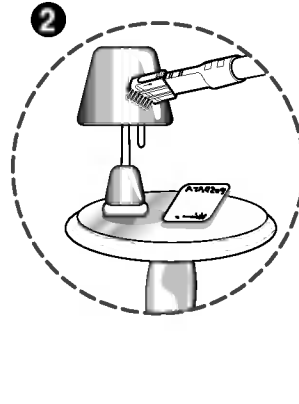
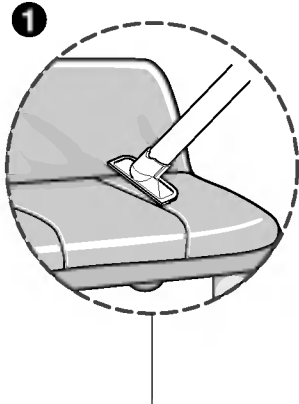
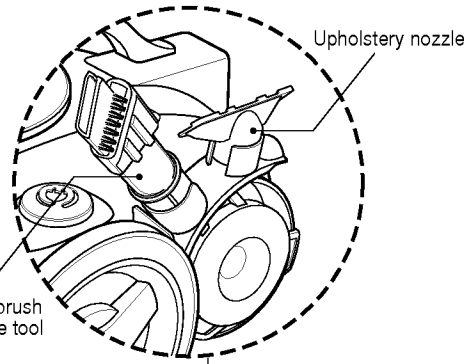
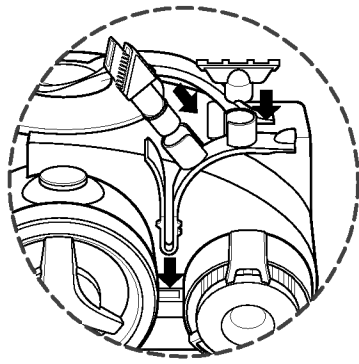
Using the cleaning head and Accessories

Tear the vinyl bag and pull out accessories.

Attach the accessory holder into the side hole of body.

And then, Fit the Dusting Brush & Crevice Tool and Upholstery Nozzle onto the accessory holder.

Fit the accessory onto the end of the tube.

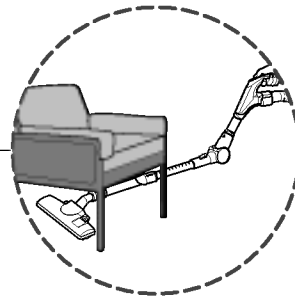
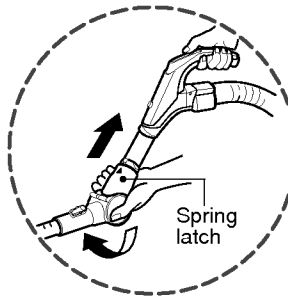
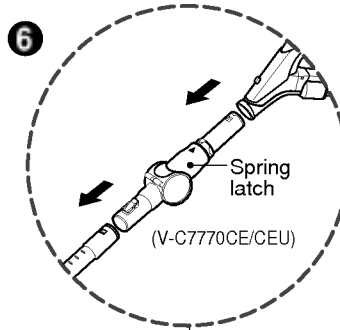
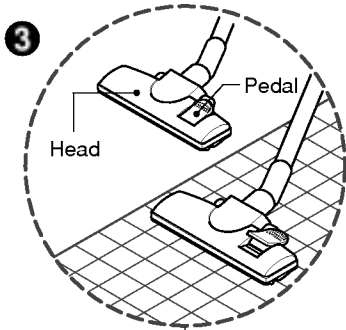
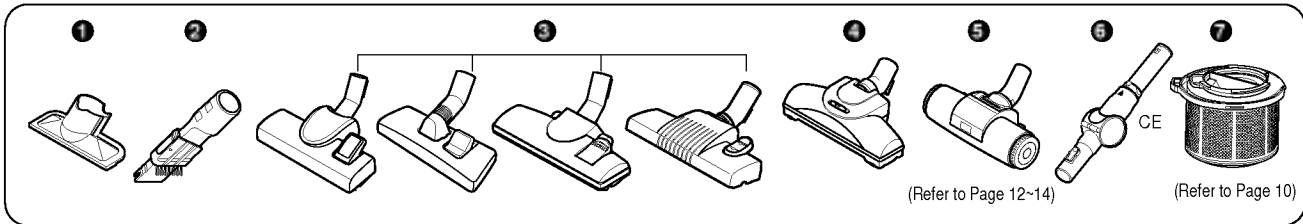


1 Upholstery Nozzle

The upholstery Nozzle is for vacuuming upholstery, mattresses, etc. The thread collectors help to pick up the threads and fluff.

2 Dusting Brush & Crevice Tool

The dusting Brush is for vacuuming picture frames, furniture frames, books and other hard surfaces. Crevice Tool is for vacuuming in those normally hard-to-reach places such as reaching cobwebs, or between the cushions of a sofa.



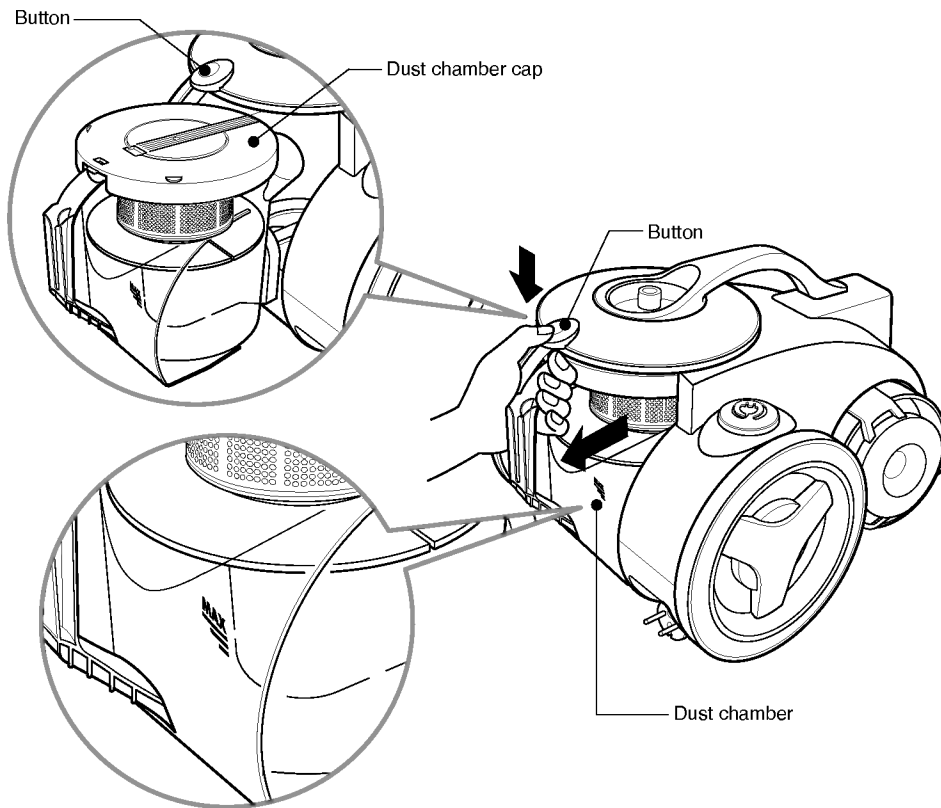
3 Large cleaning head

- **The 2 position cleaning head** is equipped with a pedal which allows you to alter the brush position according to the type of floor to be cleaned.
- **Hard floor position (tiles, parquets floor)**
Press the pedal to lower brush.
- **Carpet or rug position**
Press the pedal to use the brush.

6 Elbow tube (V-C7770CE/CEU)

- Elbow tube is for cleaning under the sofa, table and bed easily.
- Connect the elbow tube to the flexible hose and, connect the telescopic tube to the elbow tube. (You can also connect the telescopic tube to the flexible hose without the elbow tube.)
 - If you pull the spring latch, the elbow tube is bended.
 - If you stretch the elbow tube, it is returned to its position.

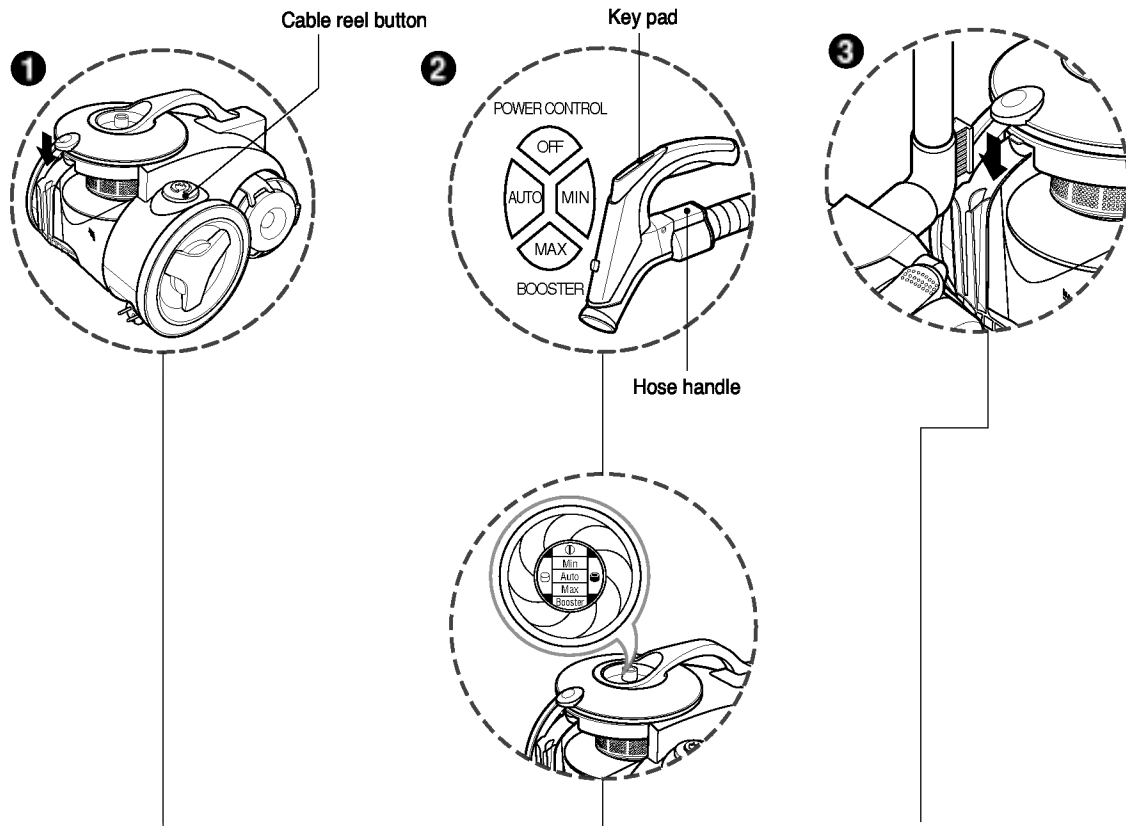
How to Use Emptying the dust chamber



Suction power may be weakened when insignificant dusts are sucked. In this case, clean the filter.

- Turn off the vacuum cleaner and unplug it.
- Press the button of the cover and pull the dust chamber forward. Remove the dust chamber cap and empty the dust chamber.
- To reinstall the dust chamber, replace the dust chamber cap and push the dust chamber into the tank mount as far as it will go.

Operation



1 Operation

- Pull out the power cable to the desired length and put plug into the socket.
- Press the cable reel button to retract the power cable after use.

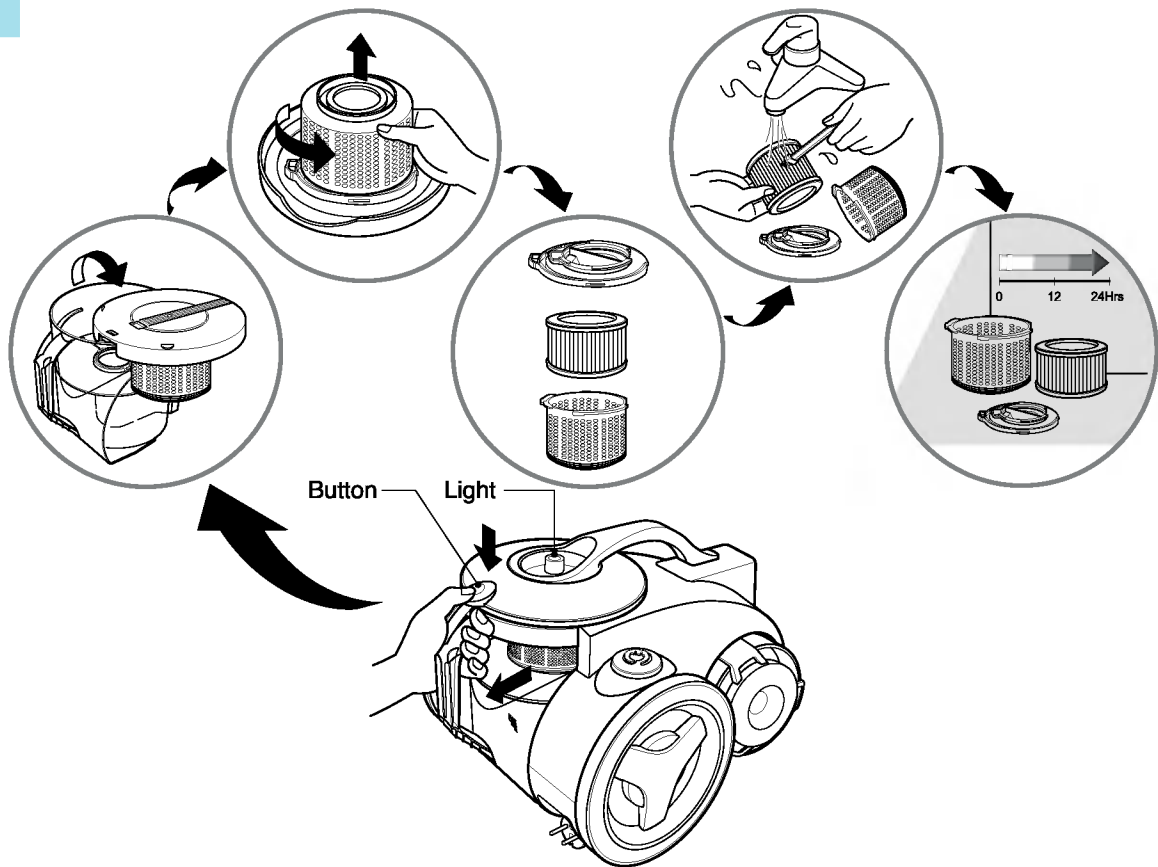
2 Adjusting the Suction power

- Adjust the power by using the power control switch on the handle.
- When you press the button that you desire, the light comes on.
- If you press the Auto button, the power is automatically adjusted by the amount of dust.
- When you want to use the booster, push the max button twice.
 - Do not press the max button more than five times continuously.
 - Continuously as this will increase the motor temperature to a dangerous level.

3 Park System

- To store after vacuuming and Pause while vacuuming.
 - When you have finished vacuuming, use the Park System to support the flexible hose and cleaning head.
 - Slide the hook on the large cleaning head into the slot on the handle of the dust chamber.

Cleaning the Motor Filter/Air cleaner



The permanent motor filter is situated under the dust chamber cap.

When the filter light comes on, Motor Filter required cleaning.

- Press the button of cover and pull the dust chamber forward.
- Open the dust chamber cap.
- Remove the motor filter by rotating it counter-clockwise.
- Clean the motor filter with the brush under cold running water.
- Allow the motor filter to dry naturally, the motor filter should be cleaned every 6 months.
- Make the dust box empty if dusts are filled to the maximum degree and then clean the filter when it becomes 5 times.

WARNING!

Gently rinse both parts separately under a cold running water until the water runs clear. **Hand wash only with damp cloth.**

Shake off excess water from the filter.

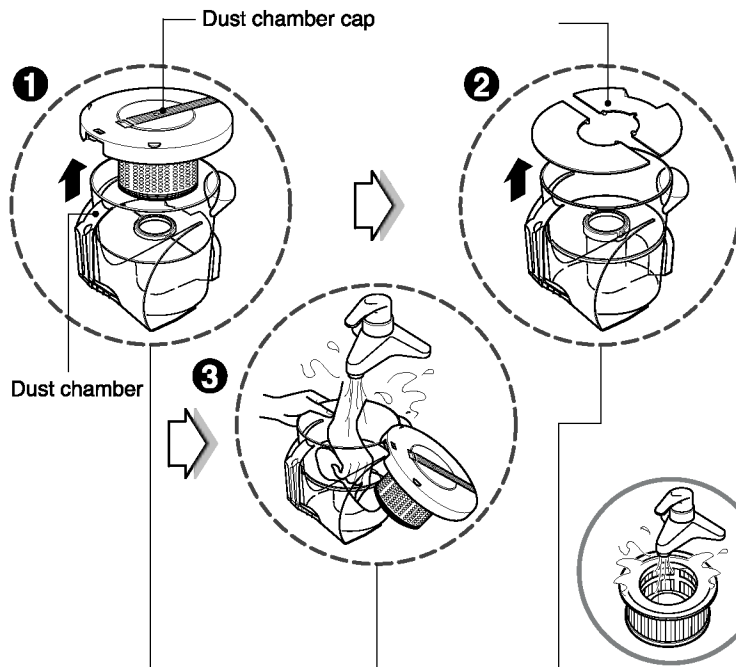
Do not tumble/spindry, microwave or place in oven or on direct heat.

Ensure the filter is completely dry.

Re-assemble and place it back in your machine, filter frame.

Do not use the wet filter to avoid clogging.

Cleaning the Dust Chamber

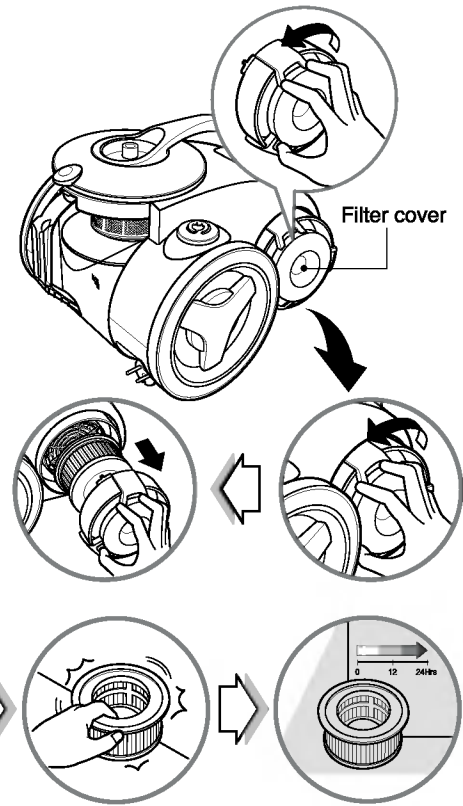


1 Open the dust chamber cap.

2 Remove two plates from the dust chamber.

3 Wash both parts with soft cloth. Gently rinse both parts under cold running water.

Cleaning the Exhaust Filters



- The exhaust filter is a washable reusable HEPA filter.
- To clean the exhaust filter, remove the filter cover on the body by rotating the filter cover counter-clockwise.
- Pull out the exhaust filter.
- Clean it with cold, running water. Do Not use the brush as this will damage. -It will damage the filter.
- Allow exhaust filter to dry completely in a shaded location for a dry.
- The exhaust filter should be cleaned at least once a year.
- Do not use the wet filter to avoid clogging.





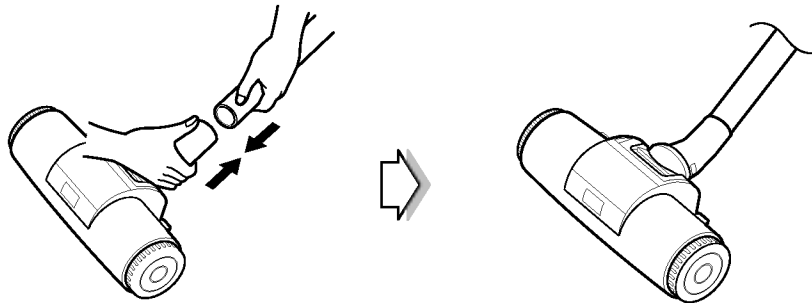
User's Guide for Sani the Punch Vacuum head

Features

This nozzle picks up even dust inside through beating.
The bottom part can be separated to be cleaned.
Since the bottom does not stick to the surface, vacuuming is easy.

How to use

Assembly
Connect the head to the telescopic tube.



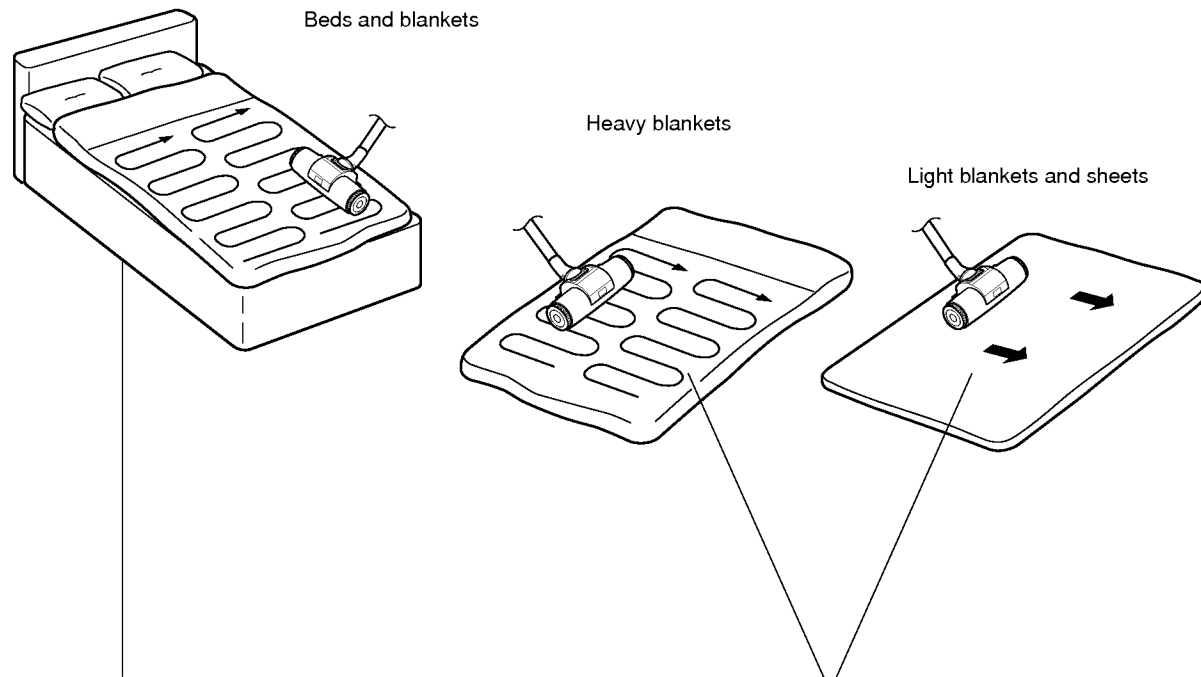
Use

Set the suction power control switch to MAX POWER before vacuuming.
Depending on the type of bedding, handling may be awkward or it may cause a lot of noise.
If this is the case, adjust the suction power control switch to a lower setting.

If the punch bar does not move, lift the head slightly off the surface.
If it does not move, even after doing this, check if the suction power is too low or if the head base is clogged with a foreign object.

This Sani Punch nozzle is for effective cleaning of beds and blankets to remove mites and dust.

Effective cleaning



When using on the bed

Lay out the blanket and vacuum it on the bed

When using on the floor

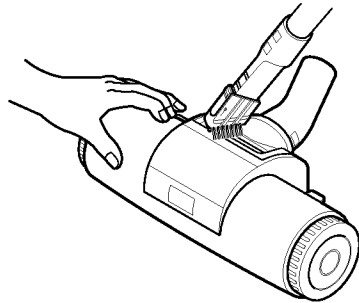
It is easier to clean a light blanket or sheet by pushing the head in the direction of the arrow. To increase cleaning efficiency for light blankets, lay on top of a bulky blanket and then clean.



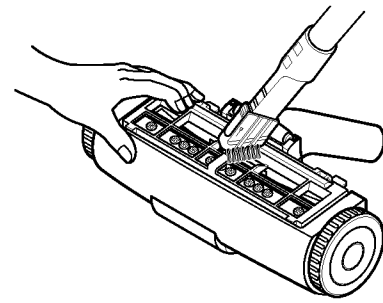
User's Guide for the Sani Punch Vacuum head Cleaning Vacuum Nozzle for Bedding

For simple cleaning of the Sani Punch, detach the Sani Punch head from the telescopic tube and attach the crevice tool.

Top



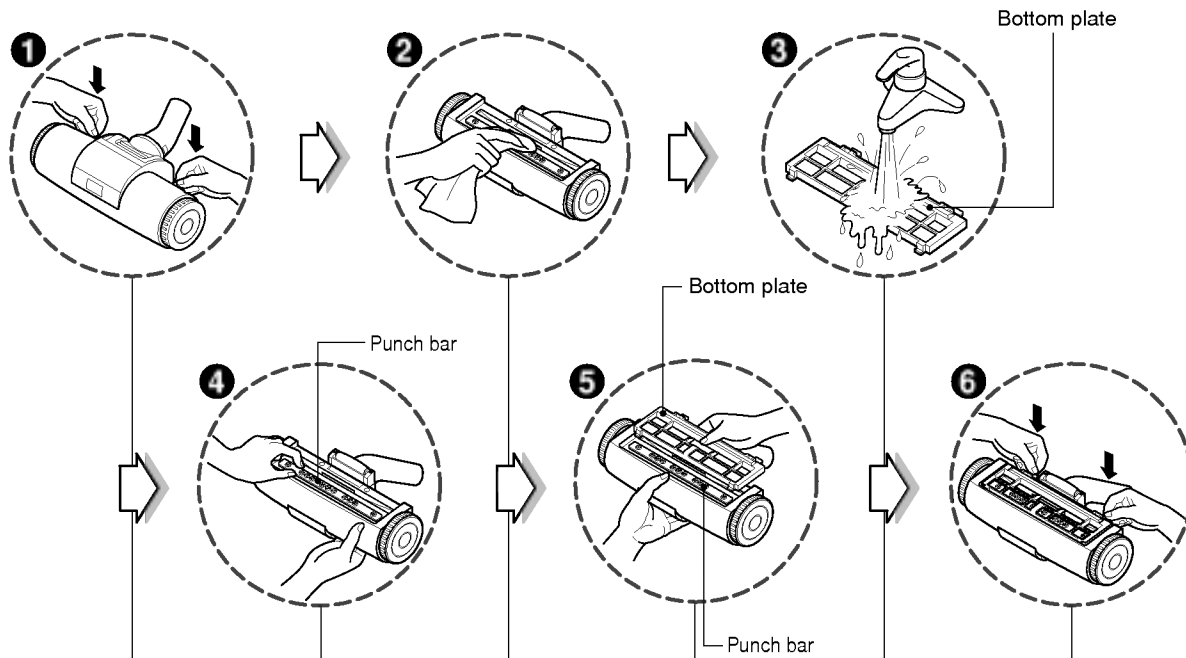
Bottom



Since the mechanism is composed of precision parts, never disassemble the body.
Be careful not to let foreign objects clog the air suction part on top of the vacuum nozzle.
Since removal of the punch bar may cause performance problems, do not warp or remove it.
Ensure that the bottom plate is attached properly before using.

This vacuum nozzle has been made exclusively for cleaning beds, blankets and upholstery,
Do not use it for cleaning the floor on.
This may damage the Sani Punch.

Follow the instruction below for through washing.
(Do not soak the entire body of the vacuum head in water, it may damage the mechanism)



1 Press the button on the rear side of the vacuum nozzle to remove the bottom plate.

2 Wipe all the soiled parts of the vacuum nozzle body with a cloth.

3 Wash the removed bottom plate with water and dry it.

4 Straighten the punch bar on the lower section.

5 Insert the lugs on bottom plate to the vacuum head grooves.

6 Push down the tabs to secure.





What to Do if Your Vacuum Cleaner Does Not Work

Check that the vacuum cleaner is plugged in correctly and that the electrical socket is working.

What to Do When Suction Performance Decreases

- Turn off the vacuum cleaner and unplug it.
- Check the telescopic tube, flexible hose and cleaning tool for blockages or obstructions.
- Check that the dust chamber is not full. Empty if necessary.
- Check that the motor filter light is not on. Clean the motor filter, if necessary.
- Check that the exhaust filter is not blocked. Clean the exhaust filter, if necessary.



WARNING!

Should it become necessary to replace the moulded plug then the detective plug should have the fuse removed and replaced of safely.

Notes



Notes





P/No.: 3828Fi2839F



3828Fi2839F