





FRIDGE-FREEZER

User's Guide

Please read this User's Guide carefully before operating and keep it handy for reference at all times.



Table of Contents

Introduction	Registration 4
	Important Safety Instruction 4
	Identification of Parts 6
Installation	Installation 7
	Starting 7
Operation	Temperature Control 8
	Quick Freeze 8
	Vacation 9
	Self Test 9
	Door Alarm 9
	Ice Making 9
	Defrosting 9
	Water Dispenser 10
Suggestion On Food storage	Storing Food 12
Care and Maintenance	General Information 13
	Lamp Replacement 13
	Cleaning 14
Trouble Shooting	Trouble Shooting 16
To Reverse the Doors	To Reverse the Doors 18

Introduction

Registration

The model and serial number are found on the rear of this unit. This number is unique to this unit and not available to others. You should record requested information here and retain this guide as a permanent record of your purchase. Staple your receipt here.

Date of Purchase : _____

Dealer Purchased From : _____

Dealer Address : _____

Dealer Phone No. : _____

Model No. : _____

Serial No. : _____

Precaution

Important Safety Instruction

This fridge-freezer must be properly installed and located in accordance with the Installation Instruction before it is used.

Never unplug your fridge-freezer by pulling on the power cord. Always grip plug firmly and pull straight out from the outlet.

When moving your appliance away from the wall, be careful not to roll over or damage the power cord.

After your fridge-freezer is in operation, do not touch the cold surfaces in the freezer compartment, particularly when hands are damp or wet. Skin may adhere to these extremely cold surfaces.

Important Safety Instruction

Precaution

Roll out the power plug prior to cleaning the fridge-freezer.
Never damage, severely bend, pull out, or twist the power cord because power cord damage may cause a fire or electronic shock.
Never place glass products in the freezer because they may be broken when their inner contents are frozen.

Do not modify or extend the Power Cord length

It will cause electric shock or fire.



Don't Use an Extension Cord

If possible, connect the fridge-freezer to its own individual electrical outlet to prevent it and other appliances or household lights from causing an overload.

Accessibility of Supply Plug

The supply plug of the refrigerator-freezer should be placed in easy accessible position for quick disconnection in emergency.

Supply Cord Replacement

If the supply cord is damaged, it must be replaced by the manufacturer or its service agent or a similarly qualified person in order to avoid a hazard.

Danger

Risk of child entrapment.
Before you throw away your old refrigerator or freezer:
Take off the doors.
Leave the shelves in place so that children may not easily climb inside.

Don't store

Don't store or use gasoline or other flammable vapors and liquids in the vicinity of this or any other appliance.

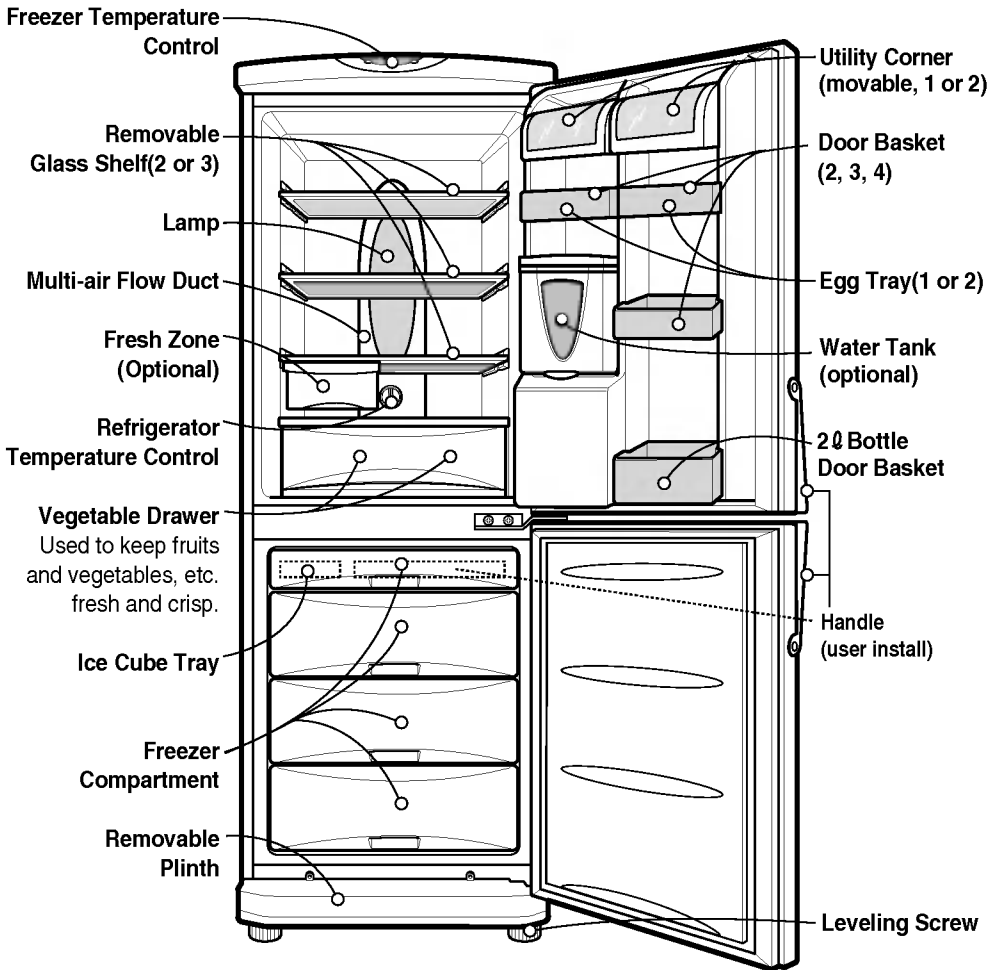
Grounding (Earthing)

In the event of an electric short circuit, grounding (earthing) reduces the risk of electric shock by providing an escape wire for the electric current. In order to prevent possible electric shock, this appliance must be grounded. Improper use of the grounding plug can result in an electric shock. Consult a qualified electrician or service person if the grounding instructions are not completely understood, or if you have doubts on whether the appliance is properly grounded.

▲Warning

- ▲ Keep ventilation openings, in the appliance enclosure or in the built-in structure, clear of obstruction.
- ▲ Do not use mechanical devices or other means to accelerate the defrosting process, other than those recommended by the manufacturer.
- ▲ Do not damage the refrigerant circuit.
- ▲ Do not use electrical appliances inside the food storage compartments of the appliance, unless they are of the type recommended by the manufacturer.
- ▲ The refrigerant and insulation blowing gas used in the appliance require special disposal procedures. When disposal, please consult with service agent or a similarly qualified person.

Identification of Parts



Note

If you found some parts missing from your unit, they may be parts only used in other models.

Installation

1. Select a good location.
Place your fridge-freezer where it is easy to use.
2. Avoid placing the unit near heat sources, direct sunlight or moisture.
3. There must be proper air circulation around your fridge-freezer to keep it operating efficiently.
4. To avoid vibration, the unit must be leveled.
If required, adjust the leveling screws to compensate for the uneven floor.
The front should be slightly higher than the rear to aid in door closing.
Leveling screws can be turned easily by tipping the cabinet slightly.
Turn the leveling screws counterclockwise(↺) to raise the unit, clockwise(↻) to lower it.
5. Clean your fridge-freezer thoroughly and wipe off all dust accumulated during shipping.
6. Install accessories such as ice cube box, etc., in their proper places.They are packed together to prevent possible damage during shipment.
7. Connect the power supply cord (or plug) to the outlet.
Don't double up with other appliances on the same outlet.
8. To ensure proper air circulation around the fridge - freezer, please maintain sufficient space on both the sides as well as top and maintain at least 2 inches (5 cm) from the rear wall.

Starting

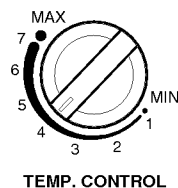
When your fridge-freezer is installed, allow it 2-3 hours to stabilize at normal operating temperature prior to filling it with fresh or frozen foods.
If power plug is disconnected, allow 5 minutes delay before restarting.
Your fridge-freezer is now ready for use.

Temperature Control

Your fridge-freezer has two controls that let you regulate the temperature in the fridge and freezer compartments.

Fridge

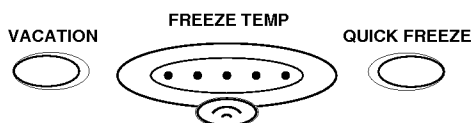
- Initially set the TEMP. CONTROL at "4". Then adjust the compartment temperature according to your desire.



- If you want an inside temperature slightly less cold or colder, turn the knob towards MIN or MAX, respectively. When the surrounding temperature is low, adjust the TEMP. CONTROL 'MIN'.

Freezer

- Freezer temperature control is on the top of the fridge-freezer. Initially set the Freeze Temp at mid-point. By pressing the Freezer Temp button, you can adjust the temperature of the Freezer as indicated by the numbers of lamps lit. (the setting is composed of five steps, 5 lamps lit indicates coldest.)
- When you starting the Fridge-Freezer or connecting the power plug to the outlet, temperature setting is automatically set to the mid-point.



Quick Freeze

- This function is used when you want to freeze the foods quickly. Press the 'QUICK FREEZE' button once, and then the quick freeze operation starts with the lamp lit.



The quick freeze operation takes about 3 hours.

When its operation ends, it automatically returns to the normal state.

If you want to stop the quick freeze operation, press the 'QUICK FREEZE' button once more, the lamp goes out, and the quick freeze operation stops and the refrigerator returns to the normal state.

Vacation

This function makes the fridge-freezer work in a power saving mode which is useful for when you are away on holiday, by reducing energy consumption as much as possible. Pressing 'VACATION' starts operation with lamp ON and pressing it again stops the operation.

For better functioning, you should set the TEMP. CONTROL to "MIN".



Self Test

This function allows you to check for operational problems. If you think you have a problem with your fridge-freezer, then press the temperature control button:

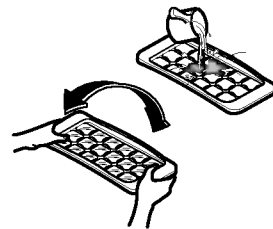
- If the indicate lights move up or down, then there is no problem with your fridge-freezer.
- If the indicate lights do not move up or down, then please leave the power connected and call your nearest service agent.

Door Alarm

When the door of the fridge is left opened for a while, the alarm sounds.

Ice Making

- To make ice cubes, fill the ice tray to the water level and place it in the freezer.
- If ice cubes are required fast, press the 'QUICK FREEZE' button.
- To remove ice cubes, hold the tray at its ends and twist gently.



Tip

To remove ice cubes easily, run water on the tray before twisting.

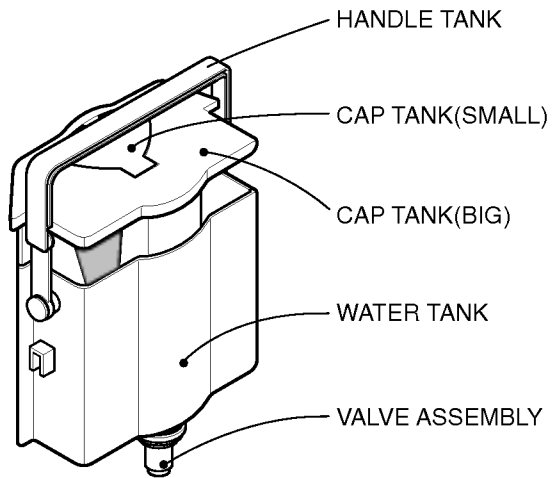
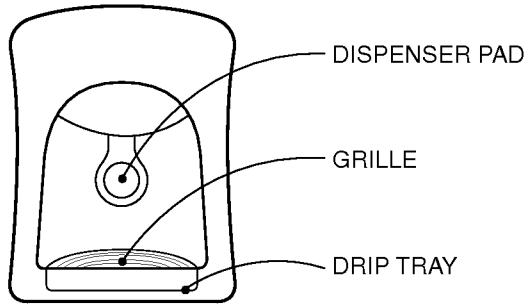
Defrosting

Defrosting takes place automatically.

The defrosting water flows down to the evaporating tray and is evaporated automatically.

Water Dispenser (optional)

Features



Install

Please assemble the VALVE ASSEMBLY after correctly adjusting it with a DOOR HOLE.

**Filling of
WATER TANK**

1. After turning the HANDLE Tank backward with the WATER TANK installed at the DOOR, Open the CAP TANK (SMALL) and then fill water using a kettle etc.
 - * Fill water while watching a sight glass on the front of the WATER TANK.
 - * Water up to 4.5ℓ can be filled.
2. Press and fix the CAP TANK(SMALL).
3. After filling spring water, fix the HANDLE TANK at a proper position.

Drinking

1. Press the Dispenser Pad with a cup.
2. If pressing the Pad, water inside of the Dispenser is supplied.
3. If slowly removing a cup from the Pad, water will not fall down.

Caution

Do not use other beverage (milk, juice, carbonated beverage etc) than spring water. Especially beverage including grain must not be used (may result in failure).

Storing Food

- Do not store food which goes bad easily at low temperature, such as banana, and melon.
- Allow hot food to cool prior to storing. Placing hot food in the fridge-freezer could spoil other food, and lead to higher electric bills.
- When storing the food, use a container with a lid. This prevents moisture from evaporating, and helps food to keep its taste and nutrients.
- Do not block air vents with food. Smooth circulation of cold air keeps fridge-freezer temperature even.
- Do not open the door frequently. Opening the door lets warm air enter the fridge-freezer, and cause temperature to rise.
- To adjust the temperature control easily, do not store food near the temperature control dial.
- Never keep too many foods in door rack, as this may stop the door from fully closing.
- Do not store bottles in the freezer compartment - they may break when frozen.
- Do not refreeze food that has been thawed. This causes loss of taste and nutrition.

Note

If you keep the fridge-freezer in a hot, and humid place, frequently open its door or put a lot of vegetables in it, dew may form in it, which has no effect on its performance.

Remove the dew with dust cloth free from care.

General Information

Power Failure

- 1~2 hour power failure does no harm to the foods stores. Try to avoid opening and closing the door too frequently.

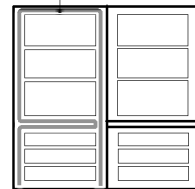
If You Move

- Take out foods from the fridge-freezer and firmly fix the loose items with tape.
- Turn the leveling screws until they stop before moving the fridge-freezer. Otherwise the screw may scratch the floor or the fridge-freezer cannot move.

Anti Condensation Pipe

- The Anti-Condensation pipe is installed around the front side of fridge-freezer as well as on the partition between fridge compartment and freezer compartment to prevent dewing.
- Especially after installation or when ambient temperature is high, the fridge-freezer may feel hot, which is quite normal.

Anti-Condensation Pipe

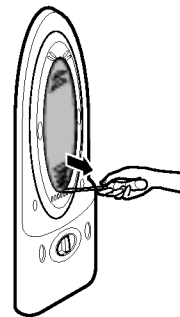


Lamp Replacement

1. Unplug the power cord from the outlet.
2. Remove fridge shelves.
3. To remove the lamp cover, insert ⊖ type driver in the underside of the lamp cover and pull it out forwards.
4. Turn the lamp counterclockwise.
5. Assemble in reverse order of disassembly.

Replacement lamp must be the same specification as original.

- You must check the O-RING, which is made by rubber and prevent electric spark.



Cleaning

Before Cleaning

Be sure to unplug the power.

Exterior

Clean the outside of the fridge-freezer with a soft cloth soaked with hot water or liquid detergent. If you use a detergent, be sure to wipe it with a clean wet cloth.

Interior

As above.

After Cleaning

Check that the power cord is not damaged, power plug has not overheated, and that the power plug is tightly inserted into the outlet.

Warning

Be sure to dry the appliance with a cloth after washing it with water.

Do not use abrasive, petroleum, benzene, thinner, hydrochloride acid, boiling water, rough brush, etc, as they may damage parts of the fridge-freezer.

GRILLE and DRIP TRAY

1. After removing the HOLE part of the GRILLE with the finger, slowly pull the DRIP TRAY out.
2. After discharging Drip Water inside of the DRIP TRAY, clean and fully rinse the GRILLE and the DRIP TRAY.
3. Wipe moisture out around the DOOR part and the DRIP TRAY using a clean cloth.

Exterior Dispenser

Wipe moisture etc out outside of Dispenser and on the Dispenser Pad using a cloth.

Water Tank

1. Lift the WATER TANK up by pressing the fixing LEVER on the bottom of WATER TANK and then remove it.
2. After removing the CAP TANK (BIG), clean and fully rinse the inside/outside part of the WATER TANK by using neutral cleansing agent.

Cap Tank(Big & Small)

Clean and fully rinse the Cap Tank (Big & Small) by using neutral cleansing agent.

Especially for the groove part of the CAP TANK, it is convenient to cleanse it by using a small brush.

Valve Assembly

Clean and fully rinse the VALVE ASSEMBLY by using a small brush. Rinse it while operating the bottom part of the valve assembly. Always fix the Sealing Rubber separated for cleansing at the existing position (may result in water leakage).

Before calling for service, check this list. It may save you both time and expense. This list includes common occurrences that are not the result of defective workmanship or materials in this appliance.

Problem	Possible Causes
Fridge-Freezer does not operate	<ul style="list-style-type: none">• Power plug may be unplugged from the electric outlet. Plug it in securely.• House fuse has blown or circuit breaker has tripped. Check and/or replace fuse and reset circuit breaker.• Power cut. Check house lights.
Fridge or Freezer Compartment Temperature too warm	<ul style="list-style-type: none">• Temperature control not set on proper position. Refer to Temperature Control section.• Appliance is placed close to heat source.• Warm weather-frequent door openings.• Door left open for a long time.• Package holding door open or blocking air duct in freezer compartment.
Vibration or Rattling or Abnormal Noise	<ul style="list-style-type: none">• The floor on which the fridge-freezer is installed may be uneven or the fridge-freezer may be unstable. Make it even by rotating the leveling screw.• Unnecessary objects placed in the back side of the fridge-freezer.
Frost or Ice Crystals on frozen Food	<ul style="list-style-type: none">• Door may have been left ajar or package holding door open.• Too frequent or too long door openings.• Frost within package is normal.
Moisture forms on Cabinet Surface	<ul style="list-style-type: none">• This phenomenon is likely to occur in a wet space. Wipe it with a dry towel.

Problem	Possible Causes
Moisture collects inside	<ul style="list-style-type: none">• Too frequent or too long door openings.• In humid weather, air carries moisture into fridge when doors are opened.
Fridge has odor	<ul style="list-style-type: none">• Foods with strong odors should be tightly covered or wrapped.• Check for spoiled food.• Interior needs cleaning. Refer to CLEANING section
Door not closing properly	<ul style="list-style-type: none">• Food package is keeping door open. Move packages that keep door from closing.• Fridge-freezer is not level. Adjust the leveling screws.• The floor on which the fridge-freezer is installed may be uneven or the fridge-freezer may be unstable. Slightly raise the front side with the leveling screw.
Interior light does not work	<ul style="list-style-type: none">• No power at outlet.• Light lamp needs replacing. Refer to the Lamp Replacement section

To Reverse the Doors

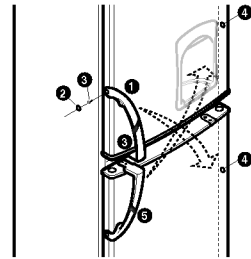
Your fridge-freezer is designed with reversible doors, so that they may open from either the left or right hand side to suit your kitchen design.

Precaution

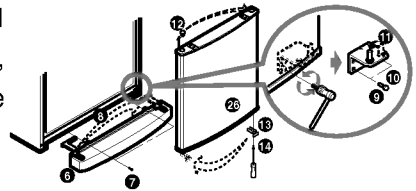
1. Before reversing the door, first of all, you should take out food and accessories like shelves or trays which are not fixed in the fridge-freezer.
2. Use Torque Wrench or Spanner to fix or remove the bolt.
3. Do not lay the fridge-freezer down. This will cause problems.
4. Be careful not to drop the doors in disassembling or assembling.

How to Reverse the Doors

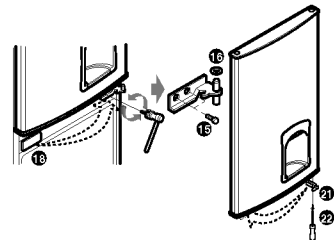
1. Remove SCREWS **3** after removing a CAP **2** from the right part of the refrigerator room HANDLE **1**. Remove 2 SCREWS **3** on the bottom part of the refrigerator room HANDLE **1**. The freezer room HANDLE **5** may be also separated in the same sequence as in the refrigerator room HANDLE **1**.



2. Remove screw **7** and remove Cover **6** and move Cap Cover **8**. And, remove screw **9**, Hinge-L **10**, and remove pin **11**. Remove the Freezer Door **26**, and move the position of the cap **12**. Move the position of bracket door **13** and screw **14**.



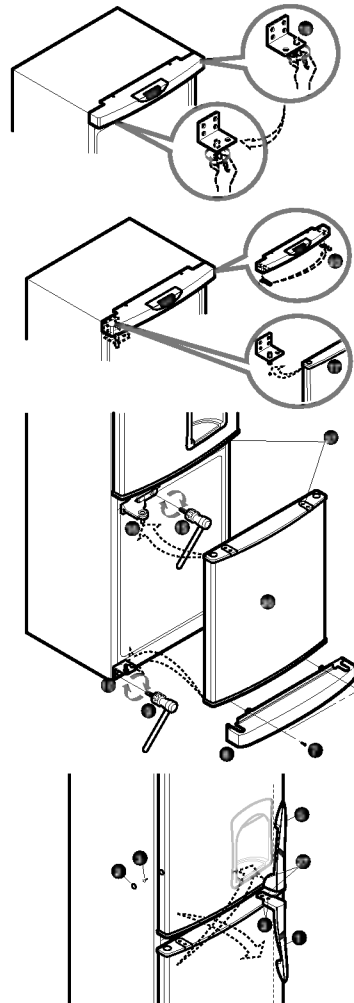
3. Remove bolt **15** and remove the Hinge-C **16** and the Fridge Door **17**. Move the position of the cap **18**. Move the position of bracket door **22** and screw **21**.



4. Move the position of Hinge-U pin **19**, and Cap, Top cover **20** Assemble the Fridge Door **17** Assemble Hinge-C **16** and bolt **15** Assemble F-Door **25**. Assemble the Hinge-L **10** and bolt **9**. Assemble Low Cover **6** and screw **7**.

5. Install HANDLES **5** installed at the existing freezer room, at the refrigerator room. Adjust the bottom part of HANDLES to the groove and then fasten 2 screws **3** after removing the CAP **7**. After bolting SCREWS in the side of the refrigerator room DOOR, press and insert the CAP **2**. Insert the CAP **4** to hole which the HANDLE **1** was installed previous. The freezer room HANDLES **1** are assembled in the same manner as above using the existing.

6. Stop the groom where the existing HANDLE **1**, **5** was installed at by using the CAP **7** removed in the initial installation.



Note

Reversing the doors is not covered by the warranty.



ثلاجة- فريزر دليل المستخدم

يرجى قراءة دليل المستخدم بعناية قبل التشغيل واحتفظ به
في تناول اليد للمراجعة في جميع الأوقات.

P/No. 3828JD8441R

جدول المحتويات

٤	التسجيل	المقدمة
٤	تعليمات هامة من أجل السلامة	
٦	تعريف الأجزاء	
٧	التركيب	التركيب
٧	البدء التشغيل	
٨	ضبط درجة الحرارة	التشغيل
٨	التجميد السريع	
٩	الإجازة	
٩	التشخيص الذاتي	
٩	إنذار فتح الباب	
٩	صنع الثلج	
٩	إذابة الصقيع	
١٠	موزع الماء	
١٢	حفظ الأطعمة	الاقتراحات لحفظ الأطعمة
١٣	المعلومات العامة	العناية والصيانة
١٣	استبدال المصباح	
١٤	التنظيف	
١٦	تحريى الخلل وإصلاحه	تحريى الخلل وإصلاحه

التسجيل

الموديل والرقم المسلسل موجودان في اللوحة الخلفية لهذا الجهاز. هذا الرقم رقم خاص بهذا الجهاز ولا يستخدم للآخرى.. ولا بد من تسجيل المعلومات المطلوبة هنا واحتفظ بهذا الدليل كسجل دائم عند شرائك. الصق السندات والإيصال هنا.

تاريخ الشراء : _____
 الوكيل الذي تم الشراء فيه : _____
 عنوان الوكيل : _____
 رقم تلفون الوكيل : _____
 رقم الموديل : _____
 الرقم المسلسل : _____

المقدمة

تعليمات هامة من أجل السلامة

جهاز الثلاجة-فريزر هذا لا بد من تركيبه بشكل صحيح ووضعه وفقا لتعليمات التركيب قبل تشغيله.

لا تنزع أسلاك توصيل جهاز الثلاجة-فريزر من مصدر التيار الكهربائي بسحب السلك. دائما امسك القابس بقوة وثبات ثم اسحبه بخط مستقيم من مقبس الكهرباء،

عند نقل الثلاجة بعيدا عن الجدار كن حريصا في أن لا تقع أو تصاب الأسلاك بأي تلف.

بعد تشغيل جهاز الثلاجة-فريزر لا تلامس الأسطح الباردة في حجيرة التجميد، خاصة عندما تكون الأيدي رطبة أو مبلولة. يمكن للجلد أن يلتصق بهذه الأسطح الباردة.

تحذيرات

تعليمات هامة من أجل السلامة

انزع قابس الكهرباء من المخرج أولاً عند تنظيف جهاز الثلاجة-فريزر .
لا تصب سلك التيار بضرر ، ولا تثنه عدة مرات، ولا تسحبه أو لا تلوه لأن الضرر في سلك التيار قد يؤدي إلى إحداث احتراق أو صدمات كهربائية.
لا تضع المنتجات الزجاجية في حجرة الفريزر لأنها قد تنكسر عند تجميد محتويات داخلها.



قد يتسبب ذلك في صدمة كهربائية أو حريق.

إذا كان بالإمكان، صل جهاز الثلاجة-فريزر إلى مخرج كهربائي خاص به لمنع الجهاز والأجهزة الأخرى أو المصابيح المنزلية من الحمل الزائد .

قابس تمديد الكهرباء لجهاز الثلاجة-فريزر لا بد من وضعه في الوصول السهل من أجل فصل الكهرباء السريع عند الحالة الطارئة.

إذا كان سلك تمديد الكهرباء متضرراً، لا بد من استبداله من قبل الصانع أو وكيل للخدمات له أو فني مؤهل مثيل له من أجل تجنب خطر .

خطر سقوط الطفل

قبل طرح جهاز الثلاجة أو الفريزر القديم « ازل البابين .
اترك الرفوف في أماكنها بحيث قد لا يسقط السفلى إلى الداخل بسهولة.

لا تخزن أو تستخدم الغازولين أو الغازات والسوائل الأخرى القابلة للاشتعال قريباً من هذا الجهاز أو الأجهزة الأخرى.

في حالة حدوث انقطاع الدائرة الكهربائية، التوصيل الأرضي (التأريض) يخفف خطر الصدمات الكهربائية بتزويد سلك لمفر التيار الكهربائي. من أجل منع صدمات كهربائية ممكنة، لا بد من التوصيل الأرضي لهذا الجهاز. الاستخدام غير الصحيح لقابس التوصيل الأرضي قد يؤدي إلى صدمات كهربائية. اتصل بفني مؤهل خاص بالكهرباء أو فني للخدمات في حالة عدم فهم تعليمات التوصيل الأرضي، أو إذا كان عندك شكوك عندما إذا كان الجهاز موصولاً بالتوصيل الأرضي أم لا.

⚠️ اترك مسافة للتهوية حول الجهاز أو في البنية الداخلية ، ازل العوائق.

⚠️ لا تستخدم الأدوات أو المكنة أو الوسائل الأخرى لإزالة الصقيعة بسرعة ، وغيرها غير الموصى بها من قبل الصانع.

⚠️ لا تصب دائرة التبريد بضرر .
⚠️ لا تستخدم الأجهزة الكهربائية داخل حجرة حفظ الطعام للجهاز ، باستثناء أمر موصى به من قبل الصانع.

⚠️ مادة التبريد ومادة العزل للغاز الخارج المستخدمة في الجهاز مطلوبة لإجراءات الطرح الخاصة. عند الطرح، يرجى الاتصال بوكيل الخدمات أو فني مؤهل مثيل.

تحذيرات

لا تقم بتعديل أو تمديد طول سلك الكهرباء.

لا تستخدم السلك الإضافي

الوصول إلى قابس تمديد الكهرباء

استبدال سلك تمديد الكهرباء

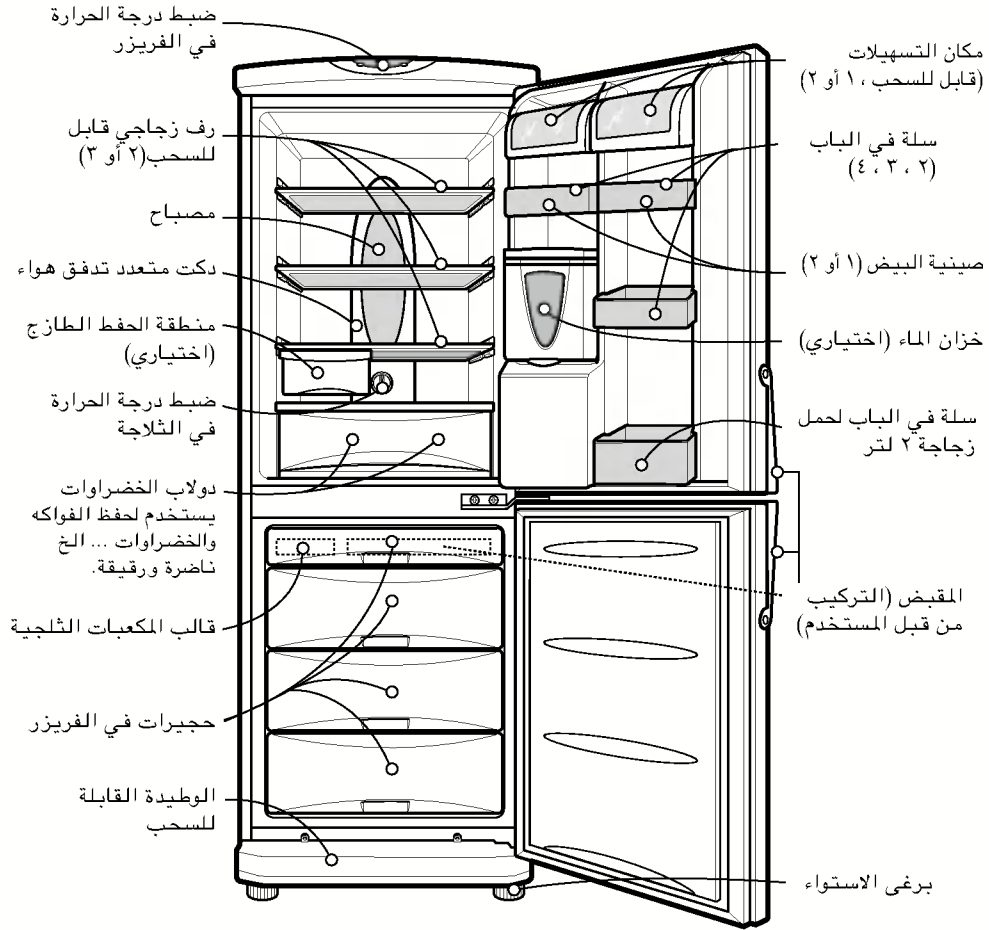
الخطر

لا تخزن

التوصيل الأرضي (التأريض)

⚠️ تنبيهات

تعريف الأجزاء



إذا وجدت بعض الأجزاء المنقوصة من وحدتك، هي قد تكون الأجزاء المستخدمة فقط في الموديلات الأخرى.

ملاحظة

التركيب

التركيب

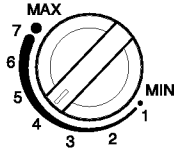
١. اختر مكانا مناسباً.
ضع جهاز الثلاجة - فريزر في مكان سهل للاستخدام.
٢. تجنب وضع الوحدة قريباً من مصدر الحرارة، أشعة الشمس المباشرة أو الرطوبة.
٣. لا بد من دوران الهواء المناسب حول جهاز الثلاجة-فريزر للاحتفاظ بكفاءة التشغيل.
٤. لتجنب الاهتزاز ، لا بد من استواء الوحدة.
إذا كان من المطلوب، اضبط براغي الاستواء لتسوية الأرض غير المستوية.
لا بد من أن الأمام يكون أعلى بقليل من الخلف للمساعدة على إغلاق الباب.
يمكنك تدوير براغي الاستواء بسهولة بإمالة الكابينة بقليل.
دور براغي الاستواء باتجاه معاكس عقرب الساعة (↺) لرفع الوحدة ، وباتجاه عقرب الساعة (↻) لخفضها.
٥. نظّف جهاز الثلاجة-فريزر تماما وامسح جميع الغبار المتراكم أثناء الشحن.
٦. ركّب المخلقات مثل قالب المكعبات الثلجية ... الخ ، في أماكنها الصحيحة. تم تغليفها معاً لمنع ضرر قد يحدث أثناء الشحن.
٧. صل سلك التيار الكهربائي (أو القابس) الى المخرج.
لا توصل الوحدة مع الأجهزة الأخرى الى نفس المخرج.

البدء بالتشغيل

- عند تركيب الثلاجة - فريزر ، اترك الجهاز لمدة ٢-٣ ساعات للاستقرار على درجة حرارة التشغيل العادي قبل حفظ الأطعمة الطازجة أو المجمدة.
إذا نزع قابس التيار الكهربائي، اترك الجهاز لمدة ٥ دقائق قبل إعادة التشغيل.
جهاز الثلاجة-فريزر لك مستعد للاستخدام.

ضبط درجة الحرارة

جهاز الثلاجة - فريزر لها ضابطان يسمحان لك بضبط درجة الحرارة في حجيرة الثلاجة وحجيرة الفريزر .



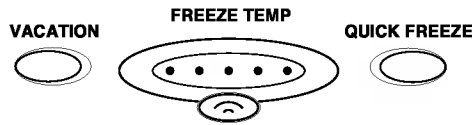
TEMP. CONTROL

- في البداية اضبط درجة الحرارة على « 4 » .
ثم اضبط درجة حرارة الحجيرة وفقا لرغبتك.
- إذا أردت خفض درجة الحرارة داخل الحجيرة أقل أو أكثر، دوّر المقبض باتجاه MIN (الأدنى) أو MAX (الأقصى) على التوالي. عندما كانت درجة الحرارة حول الجهاز منخفضة ، اضبط ضابط درجة الحرارة على وضع «MIN (الأدنى)» .

الثلاجة

- ضابط درجة الحرارة في الفريزر موجود في أعلى جهاز الثلاجة- فريزر. في البداية، اضبط درجة الحرارة في الفريزر على الوضع الوسيط . بالضغط على زر درجة الحرارة في الفريزر، يمكنك ضبط درجة الحرارة في الفريزر كما تشار إليه أرقام المؤشرات المضاءة. (وضعية الضبط هي خمس خطوات، وإضاءة ٥ مؤشرات تشير إلى أكثر برودة.)
- عند البدء بتشغيل الثلاجة-فريزر أو توصيل قابس الطاقة إلى المخرج، يتم ضبط درجة الحرارة على الوضع الوسيط أوتوماتيكيا.

الفريزر



- تستخدم هذه الوظيفة عندما تريد تجميد الأطعمة بسرعة.

التجميد السريع

QUICK FREEZE



- اضغط على زر « QUICK FREEZE (التجميد السريع) » مرة وعندها يبدأ الجهاز بوظيفة التجميد السريع مع إضاءة المؤشر. يعم التبريد السريع لمدة حوالي ٣ ساعات. عند نهاية التشغيل، الجهاز يعود إلى التشغيل العادي أوتوماتيكيا. إذا أردت إيقاف تشغيل التجميد السريع، اضغط على زر «FREEZE QUICK (التجميد لسريع)» مرة ثانية ، وعندها ينطفئ المؤشر ، ويتوقف التجميد السريع عن العمل ويعود الجهاز إلى التشغيل العادي .

التشغيل



هذه الوظيفة تجعل جهاز الثلاجة-فريزر يعمل على وضعية توفير الطاقة التي تكون مفيدة عند غيابك أثناء الإجازة ، بخفض استهلاك الطاقة خفضا كبيرا على قدر الإمكان. اضغط على زر « VACATION (الإجازة) » لتشغيل هذه الوظيفة مع إضاءة المؤشر واضغط عليه مرة أخرى لإيقاف هذه الوظيفة عن العمل. من أجل الحصول على نتيجة الوظيفة الأفضل، لا بد من ضبط درجة الحرارة على « MIN (الأدنى) ».

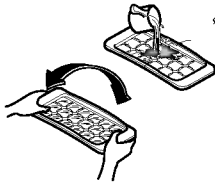
هذه الوظيفة تسمح لك بفحص المشاكل في التشغيل.

إذا فكرت في أن مشكلة حدثت في جهاز الثلاجة-فريزر، اضغط على زر ضبط درجة الحرارة.

– إذا تحرك ضوء المؤشرات الى الأعلى أو الأسفل، لا توجد مشكلة في جهاز الثلاجة – فريزر.

– إذا لم يتحرك ضوء المؤشرات الى الأعلى أو الأسفل، انزع قاسب التيار من المخرج واتصل بوكيل الخدمات أقرب منك.

عندما يبقى باب الفريزر مفتوحا لمدة ، تنطلق صفارة الإنذار من الجهاز.



- لصنع المكعبات الثلجية، املا قالب المكعبات الثلجية بالماء حتى يصل الماء الى المستوى وضعه في الفريزر.
- إذا كانت المكعبات الثلجية مطلوبة بسرعة، اضغط على زر « QUICK FREEZE (التجميد السريع) ».
- لإزالة المكعبات الثلجية ، أمسك القالب بطرفيه ولويه بلطف.

لإزالة المكعبات الثلجية بسهولة، ضع القالب تحت الماء الجاري قبل ليه.

تجري إذابة الصقيع أوتوماتيكيا. يجري الماء الناتج عن إذابة الصقيع الى صينية التبخير ويتم تبخيره أوتوماتيكيا.

الإجازة

التشخيص الذاتي

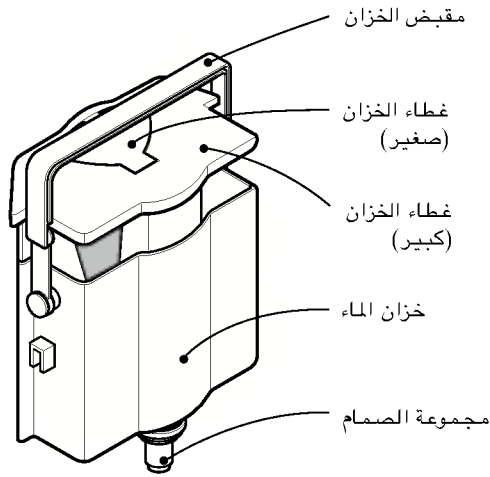
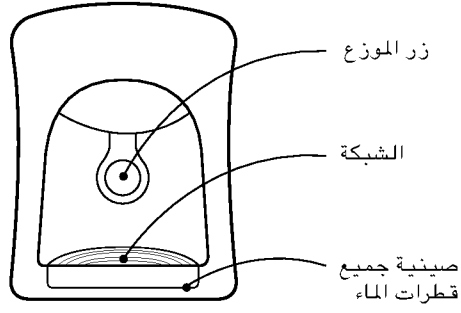
إنذار فتح الباب

صنع الثلج

اللمحة

إذابة الصقيع

موزع الماء (اختياري)



يرجى تجميع مجموعة الصمام بعد ضبطها على فتحة باب صحيحا.

المزايا

التركيب

التشغيل

١. بعد تدوير مقبض الخزان الى الخلف مع خزان الماء المركب في الباب، افتح غطاء الخزان(صغير) ثم املء الخزان بالماء باستخدام وعاء ... الخ.
* املأ الخزان بالماء مع النظر الى زجاج مشاهدة موجود في أمام خزان الماء.
* يمكن امتلاء الخزان بالماء حتى ٤,٥ لتر.
٢. اضغط غطاء الخزان(صغير) وثبته.
٣. بعد امتلاء الخزان بالماء، ثبت مقبض الخزان على الوضع المناسب.

١. اضغط على زر الموزع بغطاء.
٢. إذا ضغطت على زر الموزع، يخرج الماء داخل الموزع.
٣. إذا رفع كوب من زر الموزع ببطء ، لا يخرج الماء.

لا تستخدم المشروبات الأخرى (الحليب، العصير ، والمشروبات الكربونية ... الخ) من الماء العادي. لا بد من عدم استخدام المشروبات بالحبات خاصة (هذا قد يؤدي الى حدوث خلل)

امتلاء الخزان بالماء

الشرب

تحذير

حفظ الأطعمة

- لا تخزن الأطعمة التي تفسد بسهولة على درجة حرارة منخفضة ، مثل الموز والبطيخ .
- اترك الطعام الساخن يتبرد قبل وضعه في الثلاجة . اذ أن وضعه ساخنا قد يتسبب في فساد المأكولات الأخرى بجهاز الثلاجة-الفریزر وفي زيادة استهلاك الكهرباء .
- عند تخزين الأطعمة بالثلاجة، استخدام الوعاء بغطاء. فمن شأن ذلك منع الرطوبة من التبخير والمساعدة في اختفاظ الطعام بطعمه وفائدته الغذائية .
- لا تسد فتحات الهواء بالأطعمة. اذ ان دوران الهواء البارد من شأنه الاحتفاظ بدرجة برودة جهاز الثلاجة-فریزر متساويا.
- لا تفتح الباب كثيرا. فتح الباب يسمح الهواء الدافئ بالدخول الى جهاز الثلاجة-فریزر ، ويتسبب في رفع درجة الحرارة في الجهاز.
- لضبط درجة الحرارة بسهولة كما ينبغي، لا تحفظ الطعام قريبا من حلقة ضبط درجة الحرارة.
- لا تحفظ كمية كثيرة جدا من الأطعمة في حامل الباب لأن الأطعمة قد تعيق إغلاق باب الثلاجة بإحكام.
- لا تحفظ الزجاجات في حجيرة الفيرزر ، هذا قد تنكسر عند تجميدها.
- لا تعد تجميد الطعام الذي تم إذابته . هذا قد يؤدي الى فقد المذاق والأغذية.

ملاحظة

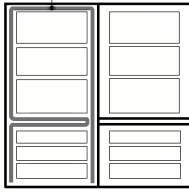
إذا ركبت جهاز الثلاجة-فریزر في مكان حار ورطب، فتح الباب الكثير أو حفظ كمية كبيرة من الخضراوات في الجهاز ، قد يؤدي الى إحداث الندوة في الجهاز والتي قد تضعف أداء الجهاز. إزل الندوة بواسطة قماش خالي من الغبار بعناية.

المعلومات العامة

انقطاع الكهرباء لمدة ١-٢ ساعة لا يصيب الطعام بضرر .
حاول عدم فتح وإغلاق الباب كثيرا .

- اخرج الأطعمة من جهاز الثلاجة - فريزر وثبت الأشياء المتحركة بالشريط .
- دوّر براغي الاستواء حتى تتوقف قبل نقل جهاز الثلاجة - فريزر . وإلا، تخذش البراغي الأرض أو لا يمكن نقل جهاز الثلاجة - فريزر .

أبواب مضاد
للتكثيف



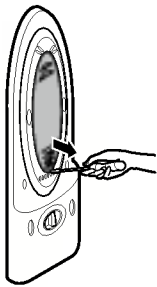
- أنبوب مضاد للتكثيف مركب حول أمام جهاز الثلاجة- فريزر الى جانب الجزء بين حجيرة الثلاجة وحجيرة الفريزر لمنع حدوث الندائة .
- بخاصة بعد التركيب أو عند درجة الحرارة المرتفعة حول الجهاز . جهاز الثلاجة- فريزر يشعر بالحرارة ، هذا أمر عادي .

انقطاع التيار

عند انتقالك إلى مسكن آخر

أنبوب مضاد للتكثيف

استبدال المصباح



- ١ . انزع سلك التيار من المخرج .
 - ٢ . ازل رفوف الثلاجة .
 - ٣ . لإزالة غطاء المصباح، ادخل مفك من نوع - الى أسفل غطاء المصباح واسحبه الى الأمام .
 - ٤ . دوّر المصباح باتجاه معاكس عقرب الساعة .
 - ٥ . جمّع بالترتيب العكسي لللفك .
- استبدل المصباح بالمصباح ذي نفس المواصفات مع المصباح الأصلي .
* لا بد من فحص حلقة - أو ، التي مصنوعة من المطاط وتمنع شرارة كهربائية .

التنظيف

تأكد من نزع قابس التيار من المخرج.

نظّف الأسطح الخارجية لجهاز الثلاجة-فريزر بقماش ناعم ناعم في الماء الحار أو سائل الغسيل . إذا استخدمت سائل الغسيل، تأكد من مسحه بقماش نظيف مبلل.

كما هو مذكور أعلاه

تأكد من عدم حدوث ضرر في سلك التيار، وتسخين قابس التيار المفرطاً، وإدخال قابس التيار الى المخرج بإحكام.

تأكد من تجفيف الجهاز بقماش بعد غسيه بالماء . لا تستخدم المادة الكاشطة ، النفط ، البنزين ، ومرقق القوام ، وحميخ الهيدرو كلوريد، الماء الغالي ، والفرشاة الكاشطة ... الخ، لأنها قد تؤدي الى الضرر في أجزاء جهاز الثلاجة-فريزر .

قبل التنظيف

الأجزاء الخارجية

الأجزاء الداخلية

بعد التنظيف

تنبيه

العناية والصيانة

١. بعد إزالة جزء الفتحة من الشبكة بالاصبع، اسحب صنية جمع قطرات الماء الى الخارج ببطء.
٢. بعد تفريغ قطرات الماء المتجمع داخل صينية جمع قطراء الماء، نظّف الشبكة والصينة واشطفهما.
٣. امسح الأجزاء حول الباب وصينية جمع قطراء الماء بواسطة قماش نظيف لتجفيفها.

امسح الرطوبة على الأسطح الخارجية للموزع وعلى زر الموزع باستخدام قماش.

١. ارفع خزان الماء بالضغط على رافعة التثبيت في أسفل خزان الماء ثم ازله.
٢. بعد إزالة غطاء الخزان (كبير)، نظف الأسطح الداخلية/ الخارجية من خزان الماء واشطفها كاملاً باستخدام سائل التنظيف المحايد.

نظّف غطاء الخزان (كبير وصغير) واشطفه كاملاً باستخدام سائل التنظيف المحايد. خاصة للأخدود لغطاء الخزان، من السهولة تنظيفه باستخدام فرشاة صغيرة.

نظّف مجموعة الصمام واشطفها كاملاً باستخدام فرشاة صغيرة. اشطفها أثناء تشغيل الجزء الأسفل من مجموعة الصمام. ثبت الختم المطاطي دائماً بعد فصله للتنظيف في مكانه (نتيجة هذا، قد يتسرب الماء).

الشبكة وصينية جمع قطرات الماء

الأجزاء الخارجية للموزع

خزان الماء

غطاء الخزان (كبير وصغير)

مجموعة الصمام

قبل الاتصال بمركز الخدمات، تأكد من هذه القائمة. هذه قد توفر لك الوقت والتكلفة. هذه القائمة تحتوي على المشكلات العادية التي لا تنتج عن خلل الصناعة والعمالة أو المواد في هذا الجهاز.

الأسباب المحتملة

المشكلة

- | | |
|--|--|
| <ul style="list-style-type: none"> • قابس التيار قد يكون غير موصولاً إلى مخرج التيار. صل القابس إليه بإحكام. • قد تنكسر الصهيرة أو يتوقف قاطع الدائرة تأكد و/أو استبدل الصهيرة واعد ضبط قاطع الدائرة. • انقطعت الكهرياء. • تأكد من ضوء المنزل. | <p>لا يعمل جهاز الثلاجة-فريزر</p> |
| <ul style="list-style-type: none"> • لم يتم ضبط درجة الحرارة على الوضع المناسب. راجع جزء ضبط درجة الحرارة. • الجهاز موضوع قريباً من مصدر الحرارة. • الجو الدافئ - فتح الباب الكثير. • ترك الباب مفتوحاً لمدة طويلة. • التغليف يعيق إغلاق الباب أو سد فتحات الهواء في حجيرة الفريزر. | <p>درجة الحرارة في حجيرتي الثلاجة والفريزر مرتفعة جداً</p> |
| <ul style="list-style-type: none"> • الأرض التي تم ترصيب جهاز الثلاجة-فريزر عليها غير مستوية أو جهاز الثلاجة-فريزر يكون غير ثابت. • تأكد من استواء الجهاز بتدوير برغى الاستواء. • الأشياء غير الضرورية موجودة في خلف جهاز الثلاجة-فريزر. | <p>الاهتزاز أو الخشخش أو الضجيج غير العادي</p> |
| <ul style="list-style-type: none"> • الباب قد يكون مفتوحاً أو التغليف يعيق إغلاق الباب. • فتح الباب الكثير جداً أو فتحه لمدة طويلة. • الصقيع داخل التغليف أمر طبيعي. | <p>الصقيع أو الثلج البلوري على الطعام المجمد</p> |
| <ul style="list-style-type: none"> • هذه الظاهرة قد تحدث في مكان رطب. امسحها بمنشفة مجففة. | <p>الرطوبة تتكون على أسطح الكابينة</p> |

الأسباب المحتملة

- فتح الباب الكثير جدا أو فتح الباب لمدة طويلة.
- في الجو الرطب ، يحمل الهواء الرطوبة الى داخل الثلاجة عند فتح الباب.
- الأطعمة ذات الرائحة القوية لا بد من تغطيتها بإحكام أو لفها.
- تأكد من وجود الطعام المفسد.
- من المطلوب تنظيف الأسطح الداخلية.
- راجع جزء التنظيف.
- تغليق الطعام يعيق إغلاق الفتحة.
- انقل التغليف الذي يقيق إعلاب الباب .
- جهاز الثلاجة-فريزر غير مستوي.
- اضبط براغي الاستواء.
- الأرض التي تم تركيب جهاز الثلاجة-فريزر عليها غير مستوية أو جهاز الثلاجة-فريزر يكون غير ثابت.
- ارفع الأمام بقليل بواسطة برغى الاستواء.
- لا توجد طاقة كهبائية.
- من الضروري استبدال المصباح .
- راجع جزء استبدال المصباح.

المشكلة

الرطوبة تجمع في الداخل

الرائحة في الثلاجة

لا يغلق الباب كما ينبغي

لا يعمل المصباح في الداخل

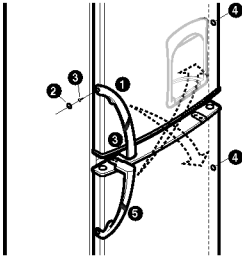
تغيير اتجاه البابين

جهاز الثلاجة - الفريزر مصمم لتغيير اتجاه البابين، بحيث قد يفتح الباب من اليسار أو اليمين مناسباً لتصميم المطبخ.

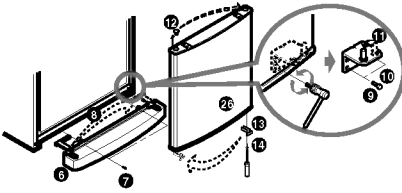
التنبيهات

١. قبل تغيير اتجاه الباب، يجب أن تخرج أولاً الأغذية والملحقات مثل الرفوف أو الصينيات التي لا يتم تثبيتها داخل الثلاجة - الفريزر.
٢. استخدم ملوي العزم أو مفتاح الصمولة لتثبيت أو نزع المسامير.
٣. لا ترقد الثلاجة والفريزر على الأرض. الأمر قد يؤدي إلى إحداث الخلل.
٤. خذ عناية لكي لا يسقط البابان أثناء الفك أو التجميع.

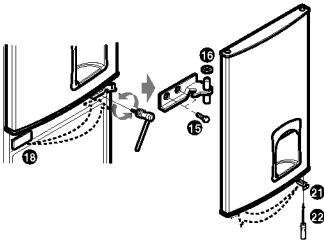
كيفية عكس اتجاه فتح الباب



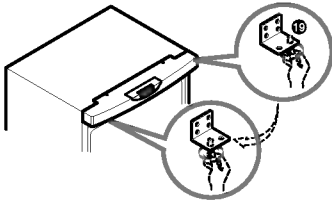
١. انزع البراغي (٢) بعة نزع الغطاء (١) من الجزء اليمين من مقبض (١) حجيرة الثلاجة. وانزع البراغي (٢) من الجزء الأسفل من مقبض (١) حجيرة الثلاجة. وقد ينفصل مقبض (٥) حجيرة الفريزر بنفس الترتيبات مع مقبض (١) حجيرة الثلاجة.



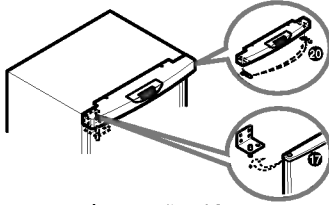
٢. انزع البرغى (٧) وانزع الغلاف (٦) وانزع غلاف الغطاء (٨). وانزع البرغى (٩) والمفصلة L- (١٠) وانزع التيبوس (١١). وانزع باب الفريزر (١٢)، وحرك موضع الغطاء (١٣). وحرك موضع كتيفة الباب (١٤) والبرغى (١٥).



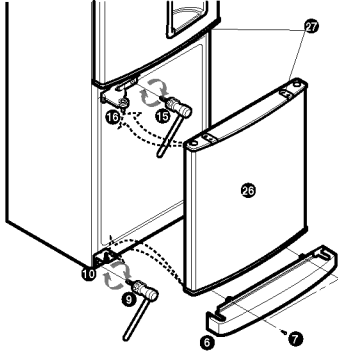
٣. انزع المسامير (١٥) وانزع المفصلة-C (١٦) وباب الثلاجة (١٧). وحرك موضع الغطاء (١٨). وحرك موضع كتيفة الباب (١٩) والبرغى (٢٠).



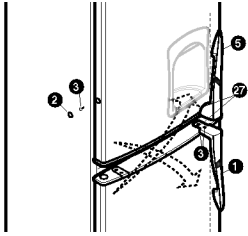
٤. حرك موضع المفصلة - U ١٨ ، والغطاء والغطاء الأعلى ٧ . جمع باب الثلاجة ١٧ والمفصلة - C ١٦ والمسمار ١٥ وجمع باب الفريزر ١٦ . وجمع المفصلة - L ١٥ والمسمار ١٦ . وجمع الغطاء الأسفل ٦ والبرغى ٧ .



٥. ركب المقبضين ٥ في مكانيهما في حجيرة الفريزر وحجيرة الثلاجة. واضبط الجزء الأسفل من المقبض على أخدوده ثم ثبت البرغين ٣ بعد نزع الغطاء ١٧ . وبعد تثبيت البراغى في باب حجيرة الثلاجة، ادخل الغطاء ٢ بالضغط عليه. وادخل الغطاء ٤ الى فتحة الأصلية للمقبض ١ . وجمع مقبض ١ حجيرة الفريزر بنفس الإجراءات المذكورة أعلاه.



٦. اعد الغطاء ٧ الذي تم نزعها في بداية تغيير الاتجاه في مكانه في المقبضين ١ ، ٥ .



ملاحظة لا يغطي الضمان تغيير اتجاه فتح البابين.