



MANUAL DEL PROPIETARIO

Secadora de Eléctrica y Gas

TD-V10050E/TD-V10050G
TD-V10055E/TD-V10055G
TD-V10051E/TD-V10051G
TD-V12055E/ TD-V12055G
TD-V12056E/ TD-V12056G
TD-V14056E/TD-V14056G

Gracias por comprar una Secadora LG.

Por favor lea su manual correctamente, ya que contiene información importante de una instalación segura, Uso y mantenimiento. Guarde el modelo y número de serie y conserve su manual para futuras referencias.





Owner's Manual

Electric and Gas Dryer

TD-V10050E/TD-V10050G

TD-V10055E/TD-V10055G

TD-V10051E/TD-V10051G

TD-V12055E/ TD-V12055G

TD-V12056E/ TD-V12056G

TD-V14056E/TD-V14056G

Thank you for buying a LG Dryer.
Please read your manual carefully, as it provides
instructions on safe Installation, Use and Maintenance.
Record the Model and Serial Numbers, and retain the
manual for future reference.

PRODUCT FEATURES

1

OUTSTANDING PERFORMANCE

Not to mention unmatched big capacity, you can benefit from good time efficiency, quiet operation and energy saving system.

2

STAINLESS STEEL DRUM

The Drum is coated with both a metal and a polymer coating in order to guarantee high durability and long life.

3

ARTISTIC DESIGN

Modern front panel look and big crystal-clear glass door make your house look stylish.

4

DIGITAL FABRIC CARE

Multi-Level temperature control takes better care of your clothes

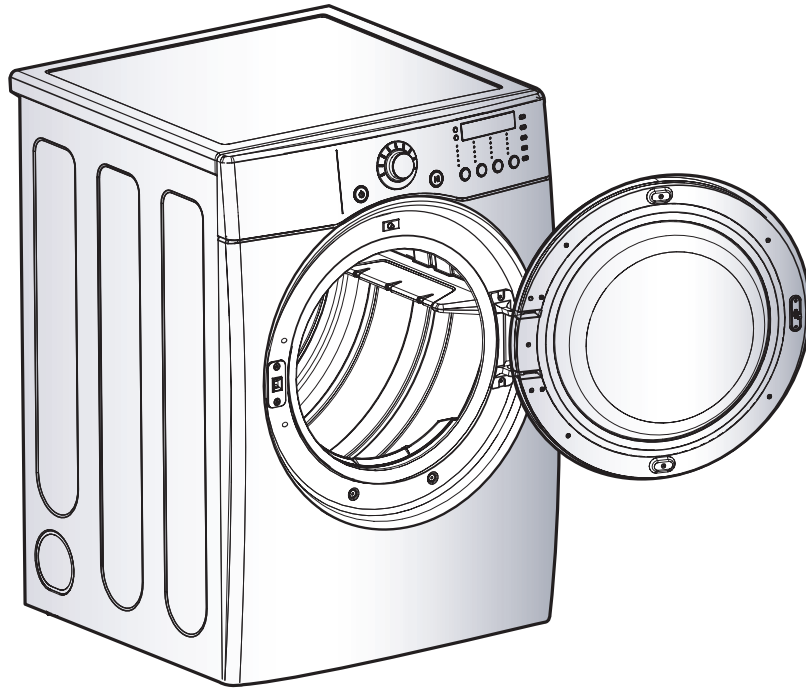
5

EASY OF USE

An entire selection of user-friendly functions make operating the dryer easy.

TABLE OF CONTENTS

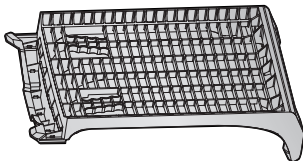
PART1. SPECIFICATIONS	3
PART2. IMPORTANT WARRANTY AND SAFETY INSTRUCTIONS	4-6
PART3. INITIAL STEPS FOR INSTALLING YOUR DRYER	7-12
PART4. ACCESSORIES INSTALLATION	13-14
PART5. ELECTRICAL REQUIREMENTS FOR ELECTRIC DRYER	15-18
PART6. ELECTRICAL REQUIREMENTS FOR GAS DRYERS	19
PART7. GAS REQUIREMENTS AND INSTRUCTIONS.....	20
PART8. EXHAUST REQUIREMENTS AND MAINTENANCE.....	21-22
PART9. OPERATING YOUR DRYER.....	23-28
PART10. TROUBLESHOOTING GUIDE	29-31



- Name : Electric and Gas Dryer
- Power supply : Please refer to the rating label regarding detailed information.
- Size : 27 x 29.9 x 38.7 (inch)
- Dryer capacity : Refer to Rating Label
- Weight : 126(lbs)

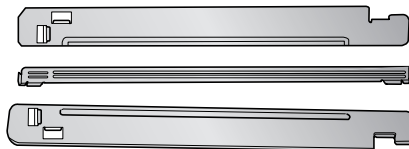
Specifications are subject to change by manufacturer.

■ ACCESSORIES



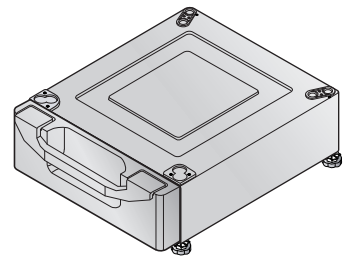
Dryer rack (1 each)

See page 26 for how to use.



Stacking kit (1 each)
Purchased Separately

See page 13 for how to use.



Pedestal (1 each)
Purchased Separately

See page 14 for how to use.

SEEKING WARRANTY ASSISTANCE

The Warranty for your Dryer is located at the end of this manual. Warranty Service is available by contacting your nearest LG Service Center. If this product is installed and operated per this manual, LG will repair or replace any parts defective in material or workmanship throughout the Warranty period, beginning the Date of Purchase.

 **WARNING!**

For your safety, the recommendations in this manual must be followed. To reduce the risk of fire or explosion, electric shock, or to prevent property damage, personal injury, or death when using your appliance, follow basic precautions, including the following.

Warranty Restriction: If the dryer is subjected to other than private family use, all warranty coverage is effective for only 90 days.

You will need the complete Model and Serial Number when requesting Warranty Service. Proof of purchase date is required.

Use the space below to record the model number and serial number of your new LG dryer.

Model No. _____

Serial No. _____

Date of Purchase _____

* Staple your receipt HERE.

IMPORTANT SAFETY INSTRUCTIONS

 **WARNING!**

To help reduce any risk of electric shock, fire, or other personal or property injury when using your dryer, please exercise care and follow basic safety precautions, including the following:

- 1) Read all instructions before using the appliance.
- 2) Do not dry articles that have come into contact with gasoline, dry-cleaning solvents, or other flammable or explosive substances, as they give off vapors that could ignite or explode.
- 3) Do not allow children to play on or in the appliance. Close supervision of children is necessary when using the appliance.
- 4) Before the appliance is removed from service or discarded, remove the door to the drying compartment.
- 5) Do not reach into the appliance if the drum is moving.
- 6) Do not install or store this appliance where it will be exposed to the weather.
- 7) Do not tamper with controls.
- 8) Do not repair or replace any part of the appliance or attempt any servicing unless specifically recommended in the user-maintenance instructions.
- 9) Do not use heat to dry articles containing foam rubber or similarly textured rubber-like materials.
- 10) Clean lint screen before or after each load.
- 11) Keep area around the exhaust opening and adjacent surrounding areas free from the accumulation of lint, dust, and dirt.
- 12) The interior of the appliance and exhaust duct should be cleaned periodically by qualified service personnel.
- 13) Do not place items exposed to cooking oils in your dryer. Items contaminated with cooking oils may contribute to a chemical reaction that could cause a load to catch fire.
- 14) Do not use fabric softeners or products to eliminate static unless recommended by the manufacturer of the fabric softener or product.

SAVE THESE INSTRUCTIONS**GROUNDING INSTRUCTIONS**

This appliance must be grounded. In the event of malfunction or breakdown, grounding will reduce the risk of electric shock by providing a path of least resistance for electric current. This appliance is equipped with a cord having an equipment-grounding conductor and a grounding plug. The plug must be plugged into an appropriate outlet that is properly installed and grounded in accordance with all local codes and ordinances.

WARNING - Improper connection of the equipment-grounding conductor can result in a risk of electric shock. Check with a qualified electrician or service person if you are in doubt as to whether the appliance is properly grounded.

Do not modify the plug provided with the appliance: if it will not fit the outlet, have a proper outlet installed by a qualified electrician.

This appliance must be connected to a grounded metal, permanent wiring system or an equipment-grounding conductor must be run with the circuit conductors and connected to the equipment-grounding terminal or lead on the appliance.

WHAT TO DO IF YOU SMELL GAS:

- Do not try to light a match or cigarette, or turn on any gas or electrical appliance.
- Do not touch any electrical switches. Do not use any phone in your building.
- Clear the room, building or area of all occupants.
- Immediately call your gas supplier from a neighbor's phone. Follow the gas supplier's instructions carefully.
- If you cannot reach your gas supplier, call the fire department.

WARNING

To reduce the risk of fire or explosion, electric shock, property damage, personal injury or death when using this appliance, please follow all instructions and information, including those in this manual and instructions and information provided by your gas supplier, including the following:

- Do not store or use any gasoline, dry-cleaning solvents any other flammable vapors or liquids in the area surrounding this appliance.
- Do not dry anything that has ever had anything flammable on it, even after washing.
- No washer can completely remove oil. Do not dry any articles that have ever had any kind of oil on them, including cooking oil.
- Articles containing foam, rubber, rubber-like materials, plastic or similar materials should be dried on a clothesline or by using an air cycle.
- Failure to follow these instructions can result in fire, death or serious injury.
- A qualified service person or company must perform installation and service of this appliance.

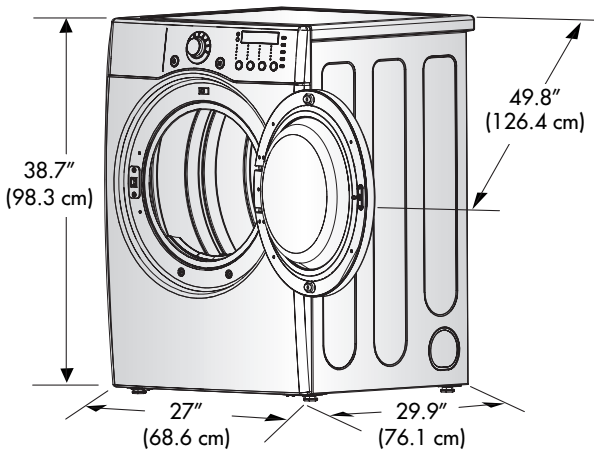
WARNING!

- Keep flammable materials and vapors, such as gasoline, away from dryer.
- Place dryer at least 18 inches above the floor for a garage installation.
- Failure to do so can result in death, explosion or fire.

The following instructions will help guide you through the initial steps of setting up your dryer for use. Please note that every section of this manual provides important information regarding the preparation and use of your dryer, and it is important that you review this entire manual before proceeding with any installation or use. More detailed instructions concerning electrical connections, gas connections, and exhaust requirements are provided at other parts of this manual.

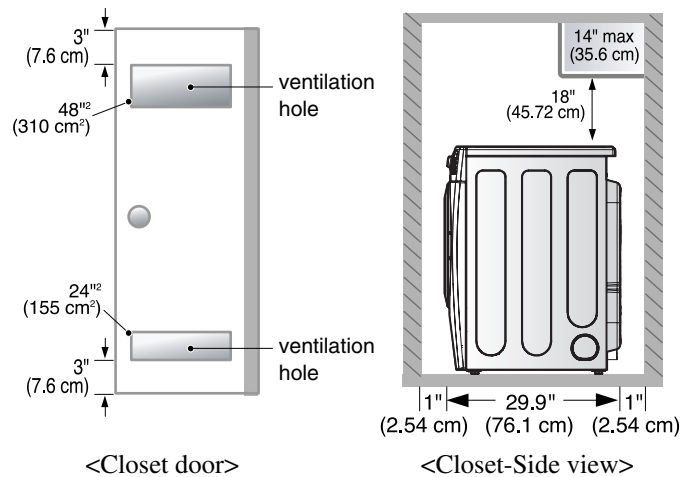
STEP 1 Positioning the Dryer.

Choose a location with a solid floor for your dryer. Place the dryer at least eighteen inches above the floor for a garage installation. After placing the dryer in the desired location, please make sure that it has the required clearances shown below, and sections on Exhaust and Maintenance requirements. If you are installing your dryer in a manufactured or mobile home, please refer to STEP 9 below for additional instructions.

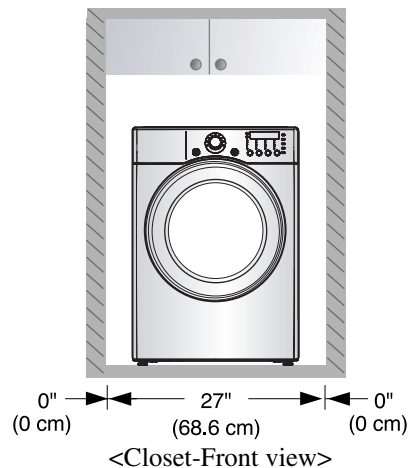


Certain minimum clearances are required above, behind, and to the sides of the unit, as shown below. Those required minimum clearances are set forth in the picture below. Please also keep the following instructions in mind when installing in a closet or recessed area:

- Consider allowing additional clearance for installation and servicing.
- Wall, door and floor molding may force additional clearances.
- An additional inch of clearance is recommended to minimize noise transfer
- Consider space needed for companion appliances.
- For closet installations, the picture below shows the minimum required ventilation openings for the door. A louvered door with comparable ventilation openings is also acceptable.



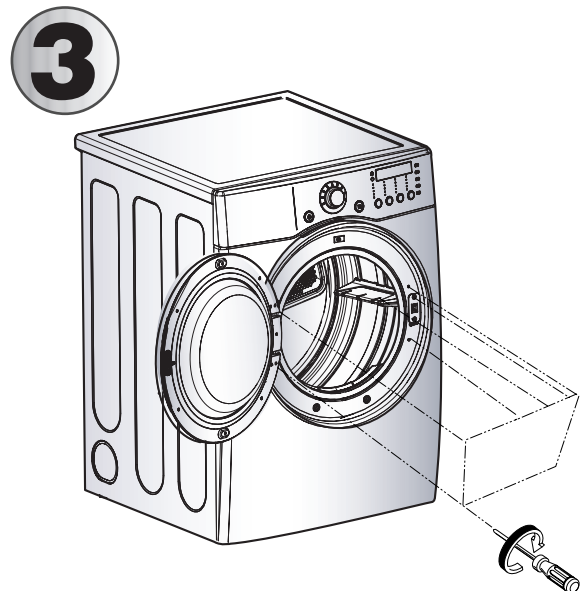
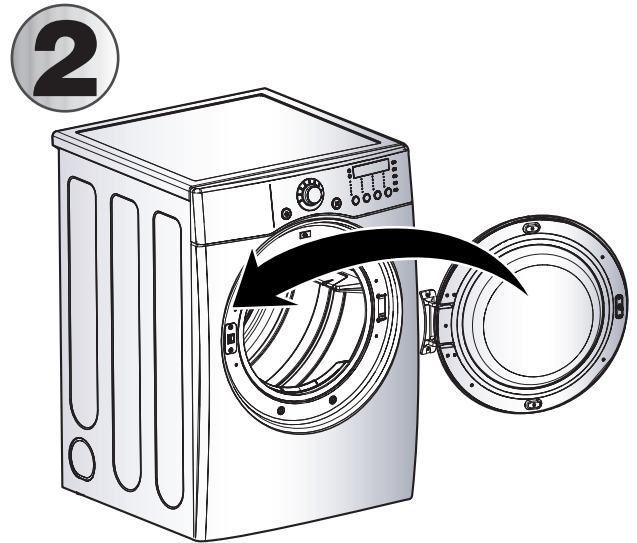
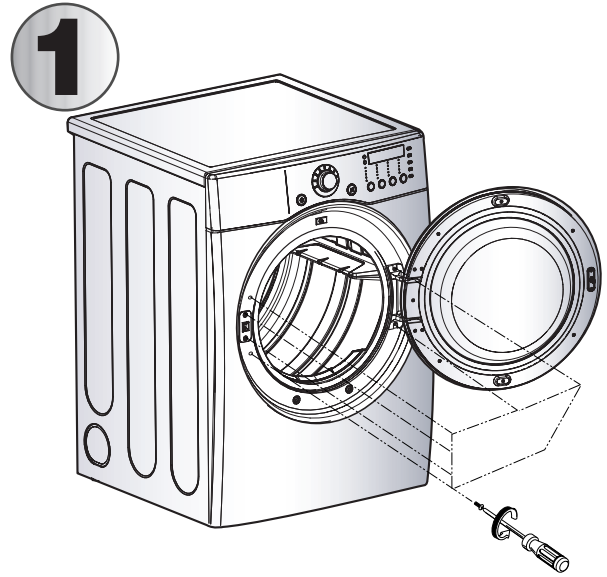
* Most installations require a minimum 5 1/2 in. (14 cm) clearance behind the dryer for the exhaust vent with elbow.



Once in position, adjust the leveling legs of the dryer until it is level from left to right and from front to back. The leveling legs must remain firmly on the floor and the dryer should not rock. The maximum slope of the dryer from left to right or from front to back should not exceed 2.5 cm (1 inch). If the dryer is not level, and if the slope exceeds 2.5 cm (1 inch), a load may not tumble properly and internal sensors may malfunction. Note: Other sections of this manual also provide important information concerning the placement of and clearances for your dryer. Please review this entire manual before proceeding with any installation.

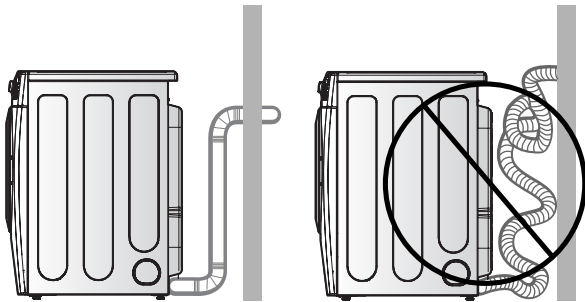
STEP 2 Procedure for Reversing the Door

The door on your dryer can be installed to open either to the left or the right. Follow these procedures to reverse the direction in which your door opens:



STEP 3 Connecting the Exhaust and Venting System.

In addition to the following warnings, please refer to manual section on Exhaust Requirements and Maintenance. **IMPORTANT:** To reduce the risk of fire, combustion, and gas accumulation, the dryer must be vented to the outdoors. Please follow the instructions (and all others in this manual) very carefully.



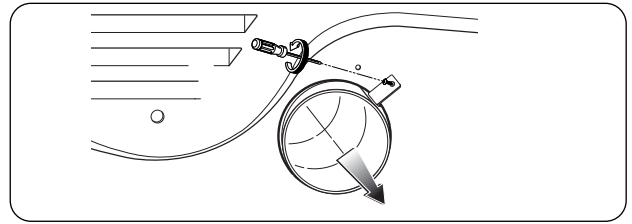
- Do not use thin plastic or foil ducting.
- Use 4" (10.2 cm) diameter rigid or flexible metal duct (note: venting materials are not supplied with the dryer, and you should obtain the venting materials necessary for proper installation)
- Position the Dryer such that the exhaust duct run is as short as possible.
- *Clean old ducts before installing this dryer*
- The male end of each section of exhaust duct must point away from the dryer
- Use as few elbow joints as possible.
- Use duct tape on all duct joints
- Insulate ductwork that runs through unheated areas in order to reduce condensation and lint build-up on pipe walls; and
- **PLEASE BE AWARE THAT FAILURE TO EXHAUST THE DRYER CORRECTLY WILL VOID THE DRYER'S WARRANTY.**

⚠ WARNING!

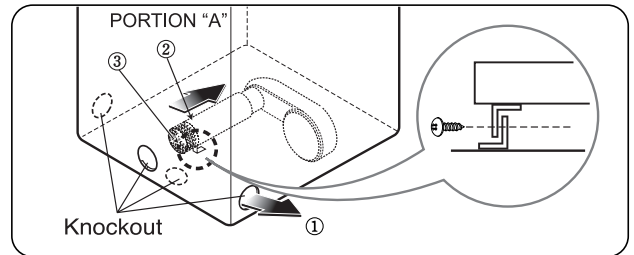
- Use a heavy metal vent.
- Do not use a plastic vent.
- Do not use a metal foil vent.
- Failure to follow these instructions can result in death or fire.
- Clean old ducts before installing this dryer

■ ALTERNATE EXHAUST DIRECTIONS

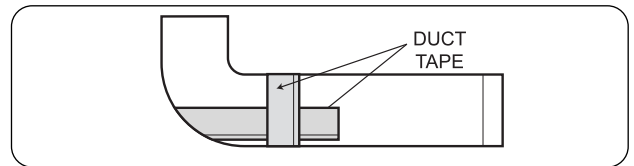
1. Remove a screw and exhaust duct.



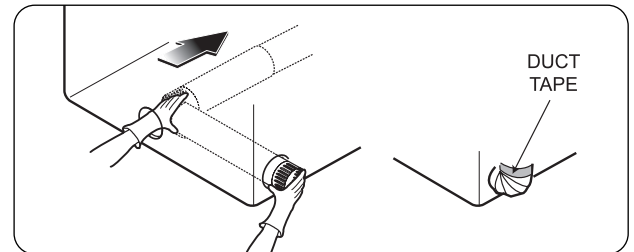
2-1. Detach and remove the knockout that matches the desired venting direction (Right side not available on Gas Dryers)
①, ②, ③ the order of work.



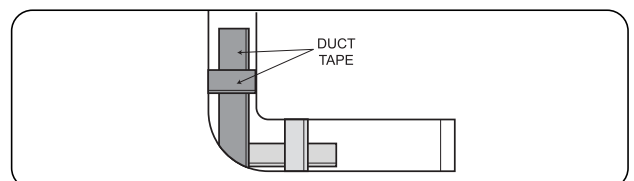
2-2. Reconnect the duct to the blower housing and attach the duct to the base. (Duct is a SVC part)



3-1. Pre-assemble 4" elbow with 4" duct. Wrap duct tape around joint.

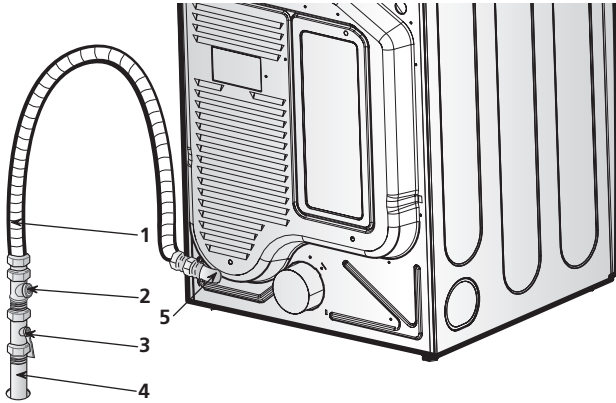


3-2. Insert elbow duct assembly first through the side opening and connect the elbow to the internal duct.



STEP 4 Connection of Gas Supply

(Gas dryer only). In addition to the following, please refer to manual section on Gas Requirements and Instructions.



1. New stainless steel flexible connector. Use this type of connector only if allowed by local codes. Use Design AGA Certified Connector.
2. 1/8" NPT Pipe Plug (for checking inlet gas pressure)
3. Equipment Shut-Off Valve-
Installed within 6' (1.8 m) of dryer
4. Iron Pipe. Shorter than 20' (6.1 m)
Use 3/8" pipe. Longer than 20' (6.1 m) - Use 1/2" pipe.
5. 3/8" N.P.T. Gas Connection

1. Confirm that the type of gas available in your laundry room is appropriate for the dryer. The dryer is prepared for Natural Gas with a 3/8" NPT gas connection.
2. Remove the shipping cap from the gas connection at the back of the dryer. Make sure that you don't damage the threads of the gas connection pipe when you remove the shipping cap.
3. Connect the dryer to your laundry room's gas supply using a new flexible stainless steel connector (as noted below, only use a new stainless steel flexible connector if allowed by your local codes).
4. Securely tighten all connections between the dryer and your laundry room's gas supply. Turn on your laundry room's gas supply and check all pipe connections (both internal and external) for gas leaks with a non-corrosive leak detection fluid.
5. For LP (Liquefied Petroleum) gas connection, refer to this manual's section entitled Gas Requirements and Instructions.

STEP 5 Electrical Plug Connections.

Following are several warnings and instructions concerning making the electrical connection for electric dryers. More detailed information concerning the electrical connection is provided at the manual section entitled Electrical Requirements For Electric Dryer and it is important that you thoroughly review that section, and the remainder of this manual, before taking any steps to install or use this dryer.

1. Use only a new U.L. listed No. 10 (copper wire only) three conductor power supply cord kit rated 240 Volts (minimum) 30 Amperes and labeled as suitable for use in a clothes dryer.
2. Four-wire cord is required for manufactured (mobile) home installations and use and where local codes do not allow grounding of this appliance through neutral.
3. Electrical Plug Connections
4. For additional instruction on connecting the dryer to an electrical power source, please refer to this manual's section on Electrical Requirements and Electric Dryer.

! WARNING!

- Use a new UL approved 30 amp power supply cord or 10 gauge solid copper wire.
- Use a UL approved strain relief.
- Disconnect power before making electrical connections.
- Connect neutral wire(white or center wire) to center terminal.
- Ground wire(green or bare wire) must be connected to green ground connector.
- Securely tighten all electrical connections
- See installation instructions for complete instructions.
- Failure to do so can result in fire or electrical shock.

STEP 6 Preparation of the Dryer.

Prior to the first use of this appliance, use all-purpose cleaning products or a solution of detergent and water, with damp clothes to remove from the inside of the dryer drum/drying compartment any dust or dirt that may have accumulated the inside of the dryer. Plug-in your dryer after reviewing the following parts on your dryer's Electrical Requirements.

STEP 7 Confirming Heat Source Operation.**Confirming Heat Source in Gas Dryers**

Close the door to the dryer drum/drying compartment and, after completing all steps in this manual for proper installation of this dryer, start the dryer on a heat setting, as described more fully in the operating instructions that accompany the dryer. After the dryer starts, the igniter will glow red and the main burner will ignite.

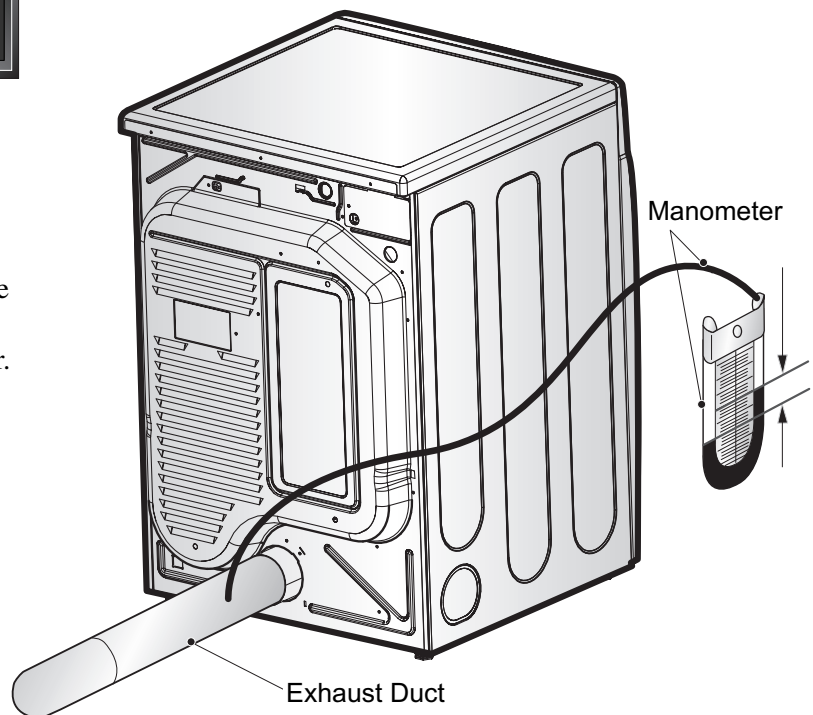
Warning: If all air is not purged from the gas line, the gas igniter may go off before the gas and the main burner have ignited. If this happens, the igniter will re-attempt gas ignition after approximately two minutes.

Confirming Heat Source in Electric Dryers

Close the door to the dryer drum/drying compartment and, after completing all steps in this manual for proper installation of this dryer, start the dryer on a heat setting, as described more fully in the operating instructions that accompany the dryer. The exhaust air or the exhaust pipe should be warm after the dryer has been operating for three minutes.

STEP 8 Dryer Airflow.

Effective dryer operation requires appropriate dryer airflow. The adequacy of the airflow can be measured by evaluating the static pressure. Static pressure in the exhaust duct can be measured with a manometer, placed on the exhaust duct approximately 2 ft. (60.9 cm) from the dryer. Static pressure in the exhaust duct should not exceed 0.6 inches (1.5 cm). The dryer should be checked with the dryer running with no load.

Measuring Static pressure

**MAXIMUM STATIC
PRESSURE IN
WATER COLUMN**

0.6 inch (1.5 cm)

STEP 9 Additional Instructions for Installation of Your Dryer in a Manufactured or Mobile Home.

The following instructions are applicable to installations of the dryer in a manufactured or mobile home. Any installation in a manufactured or mobile home must comply with the Manufactured Home Construction and Safety Standards Title 24 CFR, Part 32-80 or Standard CAN/CSA0Z240 MH and local codes and ordinances. If you are uncertain whether your proposed installation will comply with these standards, please contact a service and installation professional for assistance.

The following instructions apply to any installation of the dryer in a manufactured or mobile home:

- 1) The gas dryer must be permanently attached to the floor.
- 2) The electrical connection for an electric dryer must be a 4-wire connection. More detailed information concerning the electrical connection is provided at the manual section entitled Electrical Requirements for Electric Dryer
- 3) To reduce the risk of combustion and fire, the dryer must be vented to the outside.
- 4) Electric dryers may be vented to the outside using the back, left, right, or bottom panel.
- 5) Gas dryers may be vented to the outside using the back, left, or bottom panel. Gas dryer may not be vented to the outside using the right side panel because of the burner housing.
- 6) The dryer exhaust duct must be affixed securely to the manufactured or mobile home structure, and the exhaust duct must be made of a material that will resist fire and combustion, and it is recommended that you use a rigid or flexible metal pipe.
- 7) DO NOT connect the exhaust duct with any other duct, vent, chimney, or other exhaust duct.
- 8) Make sure the dryer has adequate access to outside fresh air to ensure proper operation. The opening for outside fresh air must be at least 25 in² (163 cm²).
- 9) It is important that the clearance of the duct from any combustible construction be at least 2 inches (5 cm), and, when venting the dryer to the outdoors, the dryer can be installed with a clearances of 1 inch at the sides and back of the dryer.
- 10) Please be aware that venting materials are not supplied with the dryer. You should obtain the venting materials necessary for proper installation.

WARNING!

DO NOT connect exhaust ducts with metal screws or fasteners that extend into the duct.

WARNING!

DO NOT vent the exhaust duct under the manufactured or mobile home.

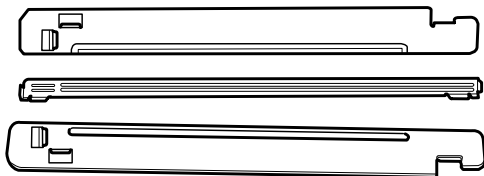
Stacking Kit Installation Instructions

To ensure safe and secure installation, please observe the instructions below.

WARNING

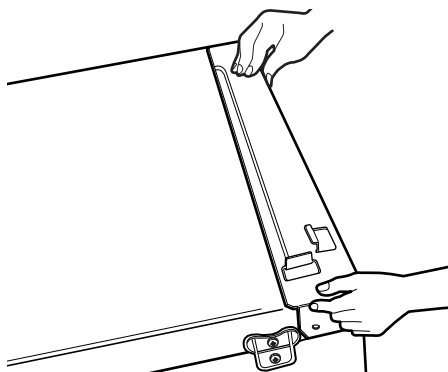
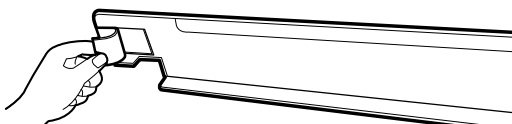
Incorrect Installation can cause serious accidents.

The weight of the dryer and the height of installation makes the stacking procedure too risky for one person. This procedure should be performed by 2 or more experienced service personnel.

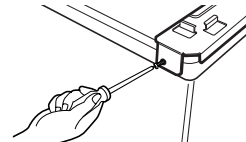


Stacking kit

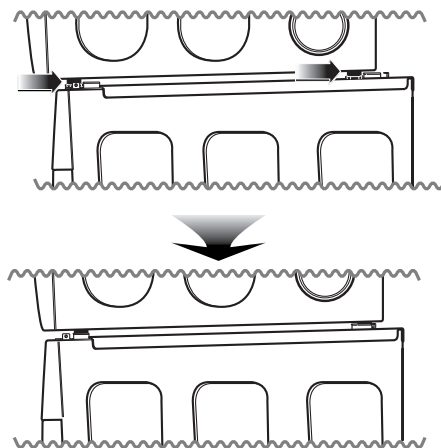
- 1 Place washer firmly on a stable, even and solid floor.
- 2 Peel protective paper off the tape from the stacking kit side bracket.
- 3 Fit the stacking kit side bracket firmly to the side of top plate by attaching the double-faced tape to top plate as picture shows.



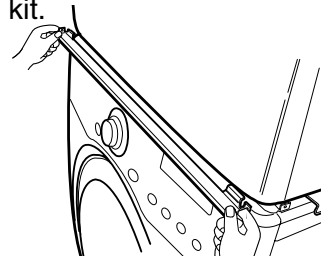
- 4 Secure stacking kit side bracket to the washer with a screw on the back of bracket. Repeat Steps 2, 3, 4 for the other side.



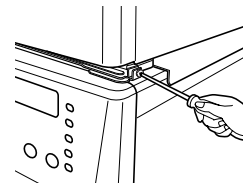
- 5 Place the dryer on top of the washer by fitting legs as shown in the picture. Avoid finger injuries - be careful not to pinch fingers between the washer and dryer. Slide washer slowly backwards to the stopper of kit.



- 6 Insert the front stacking kit. Push the front stacking kit back to the stoppers of side stacking kit.



- 7 Screw both sides of the front kit.



- Do not use stacking kit with a gas dryer in potentially unstable conditions like a mobile home.

Pedestal Installation Instructions

1 Remove pedestal, installation hardware, and instructions from the shipping carton.

2 Position dryer on top of the pedestal.
NOTE : Because of the weight of the dryer two or more people may be needed.

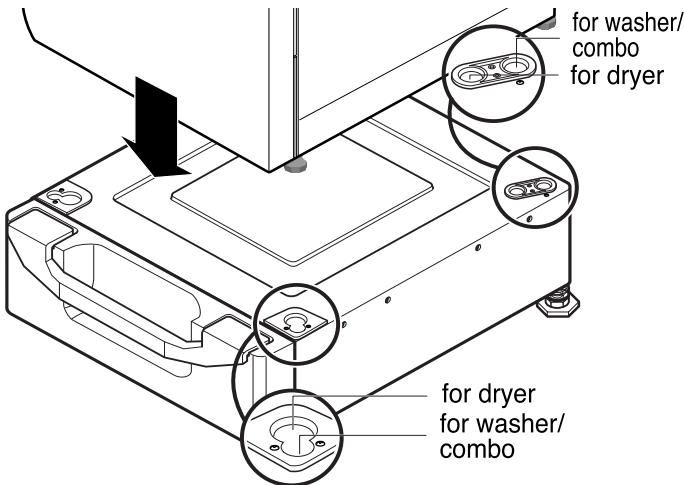
NOTE : If dryer was previously installed, uninstall it as follows:

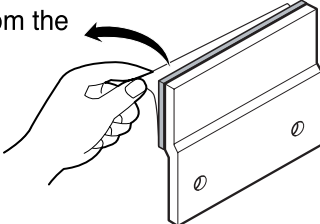
A. Uninstalling an electric dryer:

- 1) Unplug the power supply cord,
- 2) Pull the dryer away from the wall enough to loosen the vent clamp. Loosen the clamp and carefully remove the exhaust vent from the dryer exhaust outlet.

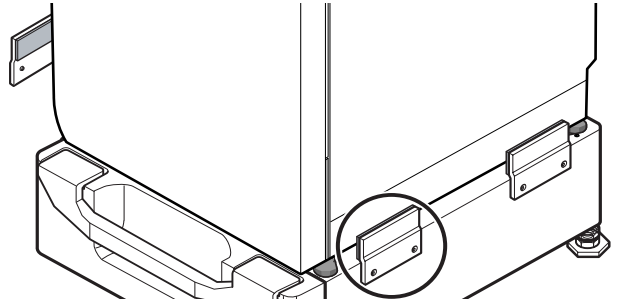
B. Uninstalling a gas dryer:

- 1) Shut off Gas
- 2) Unplug Power Cord
- 3) Disconnect Gas Line from Dryer
- 4) Pull away and loosen vent clamp. Disconnect venting.

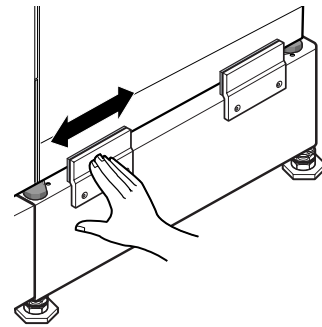


3 Remove the paper from the bracket.


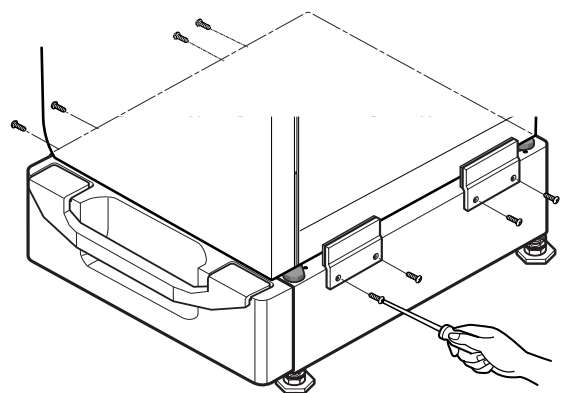
4 Attach the double-faced tape of the bracket to the dryer as shown so the bent parts of the brackets align with the edge and can be attached to the pedestal with screws.
NOTE : Attach the lower side first.



5 Be sure to press the adhesive parts of the brackets firmly to the appliance.



6 Install the eight (8) screws(supplied) to attach the brackets to the pedestal.



7 Move the dryer to the desired place.
NOTE : The appliance and pedestal assembly must be placed on a solid and level floor for proper operation. Adjust the legs of the appliance and pedestal by turning with a wrench. Then, adjust the lock nut toward the pedestal while holding the pedestal leg using a wrench.

Following are additional instructions regarding electrical connections and requirements for electric dryers.

⚠ Important Warning: To help prevent fire, electric shock, serious injury or death, the wiring and grounding must conform to the latest edition of the National Electrical Code, ANSI/NFPA 70 and all applicable local regulations. Please contact a qualified electrician to check your home's wiring and fuses to ensure that your home has adequate electrical power to operate the dryer.

Chile 220V/50Hz

Mexico 220V/60Hz, 127V/60Hz

Panama 120V, 240V/60Hz

Peru 220V/50Hz • 120V, 240V/60Hz

Colombia 120V, 60Hz

Instructions for Grounding of your Electric Dryer:

- a) Please note that the wiring diagram is provided inside the dryer cabinet.
- b) This dryer must be connected to a grounded metal, permanent wiring system; or an equipment-grounding conductor must be run with the circuit conductors and connected to the equipment-grounding terminal or lead on the dryer.
- c) If branch circuit to dryer is fifteen feet (4.50 m) or less in length, use U.L. (Underwriters Laboratories) listed No. 10 A.W.G. wire (copper wire only), or as required by local codes. If over fifteen feet (4.50 m), use U.L. (Underwriters Laboratories) listed No. 8 A.W.G. wire (copper wire only), or as required by local codes. Allow sufficient slack in wiring so dryer can be moved from its normal location when necessary.
- d) The power cord (pigtail) connection between wall receptacle and dryer terminal block IS NOT supplied with dryer. Type of pigtail and gauge of wire must conform to local codes and with instructions mentioned on the following pages.
- e) The method of wiring the dryer is optional and subject to local code requirements. Refer to examples on next page.
- f) You must select the method by which to wire your dryer according to local code and ordinance requirements. Sample methods are included in the following pages.

⚠ WARNING!

Label all wires prior to disconnection when servicing the dryer, because wiring errors can cause serious injury to you and your dryer.

Review the following options to determine the appropriate electrical connection for your home:



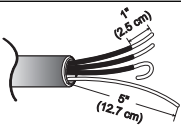
**4-wire receptacle
(NEMA type 14-30R)**

Use the instructions at this section if your home has a 4-wire receptacle (NEMA type 14-30R) and you will be using a UL listed, 120/240 volt minimum, 30 amp, dryer power supply cord.



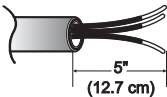
**3-wire receptacle
(NEMA type 10-30R)**

Use the instructions at this section if your home has a 3-wire receptacle (NEMA type 10-30R) and you will be using a UL listed, 120/240 volt minimum, 30 amp, dryer power supply cord.



4-wire direct

If this type is available at your home, you will be connecting to a fused disconnect or circuit breaker box



3-wire direct

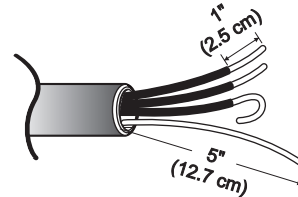
If this type is available at your home, you will be connecting to a fused disconnect or circuit breaker box

4-wire connection : Direct wire

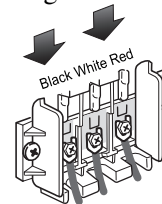
Important : use 4-wire connection in the places such as mobile homes and areas where 3-wire connections is not available.

Prepare minimum 5ft(1.52m) of length in order for dryer to be replaced.

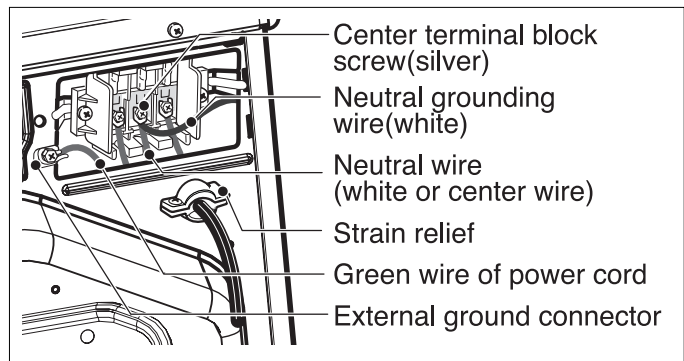
First, peel 5 inch (12.7cm) of covering material from end. Make a 5 inch of ground wire bared. After cutting 1½ inch (3.8cm) from 3 other wires, peel insulation back 1inch (2.5cm). Make ends of 3 wires a hook shape.



Then, put the hooked shape end of the wire under the screw of the terminal block(hooked end facing rightward) and pinch the hook together and screw tightly.



1. Connect neutral wire(white) of power cord to center terminal block screw.
2. Connect red and black wire to the left and right terminal block screws.
3. Connect ground wire(green) of power cord to external ground screw and move neutral ground wire of appliance and connect it to center screw.
4. Make sure that the strain relief screw is tightened. and be sure that all terminal block nuts are on tight and power cord is in right position.

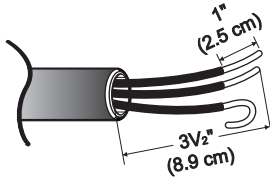


3-wire connection : Direct wire

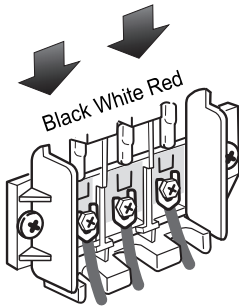
Important : use 3-wire connection in the places such as mobile homes and areas where 3-wire connections is not available.

Prepare minimum 5ft(1.52m) of length in order for dryer to be replaced.

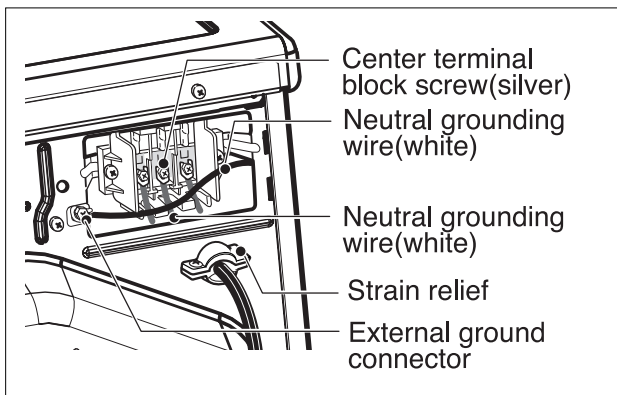
First, peel 3 1/2 inch (8.9cm) of covering material from end and bare 1 inch from the ends.



Then, put the hooked shape end of the wire under the screw of the terminal block(hooked end facing rightward) and pinch the hook together and screw tightly.

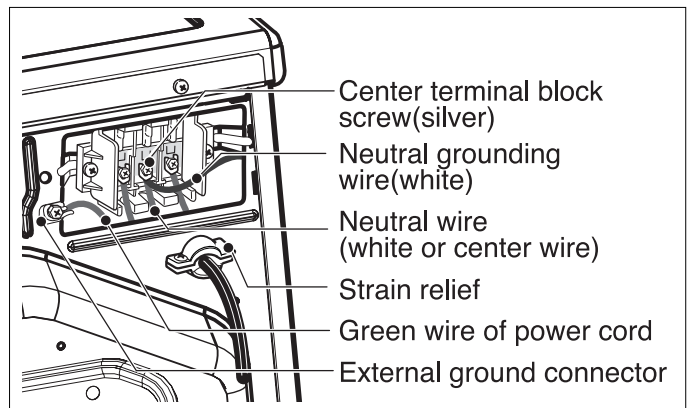
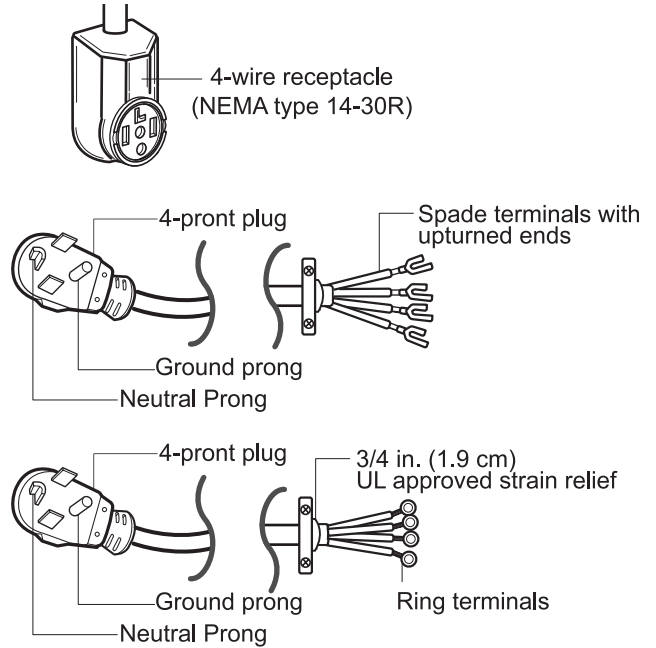


1. Connect neutral wire(white) of power cord to center terminal block screw.
2. Connect red and black wire to the left and right terminal block screws.
3. Make sure that the strain relief screw is tightened and be sure that all terminal block nuts are on tight and power cord is in right position.



Option 1: 4-wire connection with a Power supply cord.

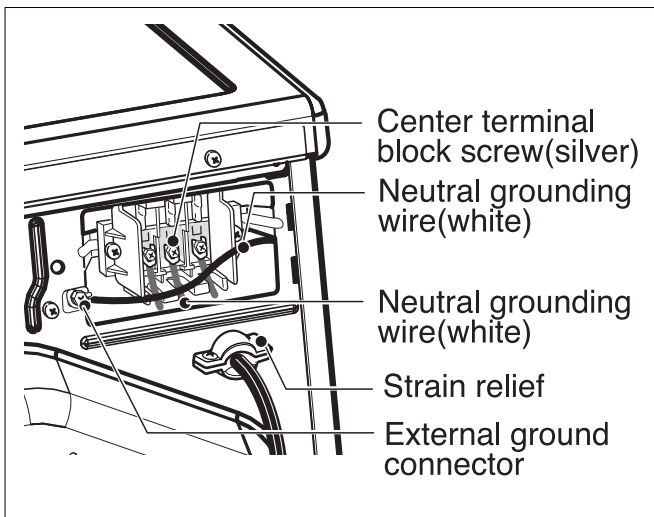
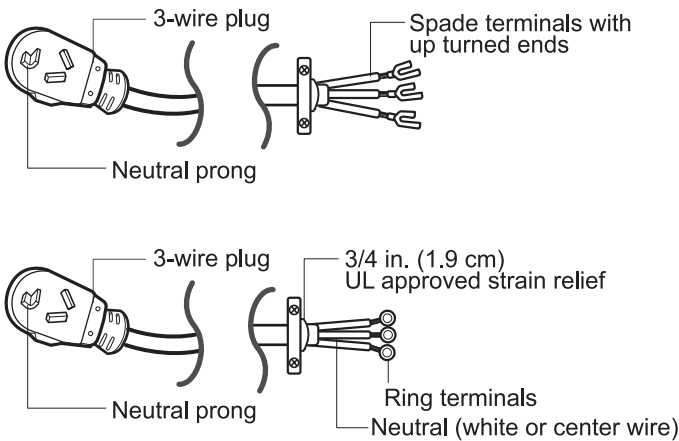
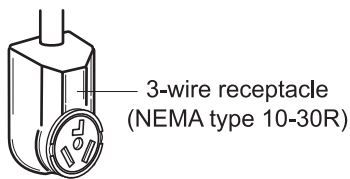
- If your local codes or ordinances do not allow the use of a 3 wire connection, or you are installing your dryer in a mobile home, you must use a 4-wire connection.



1. Connect neutral wire(white) of power cord to center terminal block screw.
2. Connect red and black wire to the left and right terminal block screws.
3. Connect ground wire(green) of power cord to external ground screw and move neutral ground wire of appliance and connect it to center screw.
4. Make sure that the strain relief screw is tightened. and be sure that all terminal block nuts are on tight and power cord is in right position.

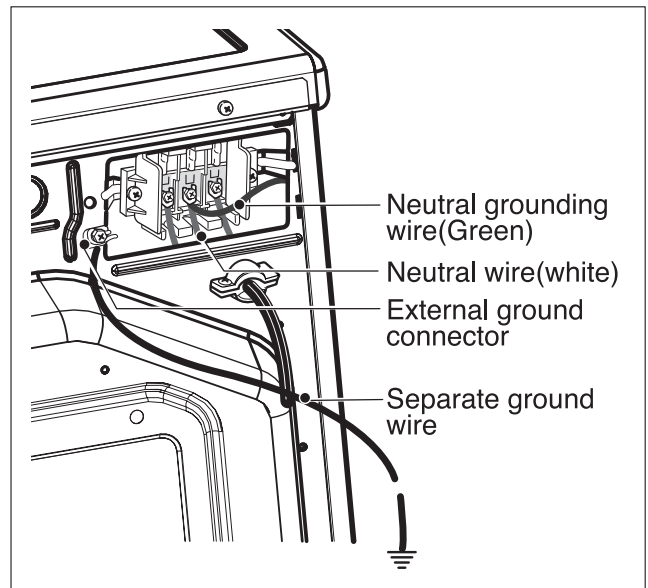
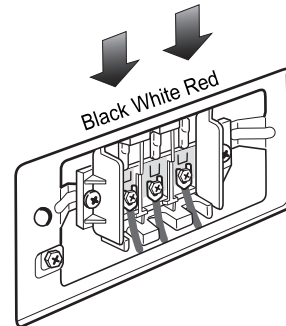
Option 2: 3-Wire Connection with a Power Supply Cord

If your local codes or ordinances permit the connection of a frame-grounding conductor to the neutral wire, use these instructions. If your local codes or ordinances do not allow the connection of a frame-grounding conductor to the neutral wire, use the instructions under **Section 3: Optional 3-wire connection.**



Option 3: Optional 3-wire connection.

- If your local codes or ordinances do not allow the connection of a frame-grounding conductor to the neutral wire, use the instructions under this section.



1. Connect neutral wire (white) of power cord to center terminal block screw.
2. Connect ground wire of appliance and neutral wire of power cord to center terminal block screw.
3. Connect red and black wire to the left and right terminal block screws.
4. Make sure that the strain relief screw is tightened, and be sure that all terminal block nuts are on tight and power cord is in right position.
5. Connect an independent ground wire from external ground connector to proper ground.

Chile 220V/50Hz
Panama 120V, 240V/60Hz

Mexico 127V/60Hz
Peru 220V/60Hz

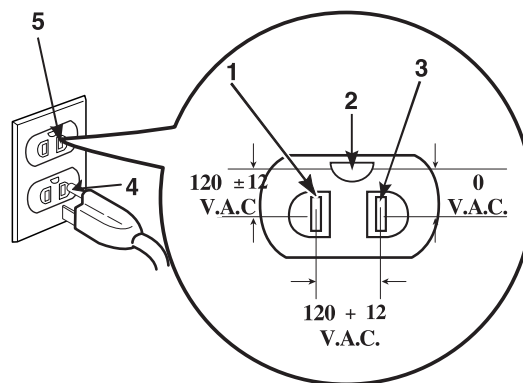
Following are additional instructions regarding electrical connections and requirements for gas dryers.



Important Warning: To help prevent fire, electric shock, serious injury or death, the wiring and grounding must conform to the latest edition of the National Electrical Code, ANSI/NFPA 70, or the Canadian Electrical Code, CSA C22.1, and all applicable local regulations. Please contact a qualified electrician to check your home's wiring and fuses to ensure that your home has adequate electrical power to operate the dryer.

Electrical Requirements for Your Dryer:

- a) Please note that the wiring diagram is provided inside the dryer cabinet. Label all wires prior to disconnection when servicing the dryer, because wiring errors can cause serious injury to you and your dryer.
- b) Use separately fused circuits for washers and dryers, and DO NOT operate a washer and a dryer on the same circuit.



WARNING!

Do not overload the circuit by operating other appliances on the same circuit when this appliance is operating, by using an extension cord to connect the dryer to the power source, or by using any adapter to allow additional cords to connect to the same outlet.

STANDARD 120 VOLT, 60 HERTZ, 3-WIRE EFFECTIVELY GROUNDING CIRCUIT

- | | |
|---|-----------------------|
| 1 | L1 |
| 2 | Ground |
| 3 | Neutral Side |
| 4 | Round Grounding Prong |
| 5 | Neutral |

- a) The dryer has a three-prong plug to help guard against shock. The plug should be plugged directed into a properly grounded three-prong receptacle that is rated 120 Volts AC (alternating current) 15 Amps. This plug, in order to be properly and fully effective, must be plugged into a properly installed outlet that is grounded in accordance with all local codes and ordinances.
- b) The dryer must be grounded in order to reduce the risk of electric shock, including a malfunction or breakdown.
- c) If your laundry room does not meet the specifications required by this manual, or if you are uncertain whether or not your laundry room meets these specifications, please have a qualified service person or company, for example a qualified electrician or your local electric company, review your laundry room's electrical supply for any problems.

WARNING!

DO NOT modify the plug provided with the dryer. If it does not fit the outlet in your laundry room, a proper outlet will need to be installed in your laundry room by a qualified service person or company.

Following are important instructions and information concerning the requirements for the gas supply and service for gas dryers. **⚠ Important Warning:** The gas supply and service for a gas dryer must comply with all local codes and ordinances. In the absence of any local codes or ordinances in your area, the gas supply and service for your gas dryer must comply with the latest edition of the National Fuel Gas Code, ANSI Z223.1/NFPA 54.

1. Gas supply requirements: Liquefied Petroleum (L.P.) Gas (2,500 Btu/ft³ (93.1 MJ/m³)) service must be provided at 10 + 1.5 in. water column pressure.
2. Do not attempt to connect Dryer to Liquefied Petroleum (LP Gas) Gas service without a qualified professional.
3. Isolate the dryer from the gas supply piping system by closing its individual manual shut-off valve, during any pressure testing of the gas supply system at test pressure equal to or less than 2/1 psi (3.45 kPa).
4. Supply Line Requirements. Your laundry room must have a rigid gas supply line to your dryer. In the United States, an individual manual shutoff valve **MUST** be installed within at least 6 feet (1.8m) of the dryer, in accordance with the National Fuel Gas Code ANSI Z223.1. A 1/8 in. N.P.T. pipe plug must be installed as shown.
5. If using a rigid pipe, the rigid pipe should be 1/2 inch IPS. If acceptable under local codes and ordinances and when acceptable to your gas supplier, 3/8 inch approved tubing may be used where lengths are less than 20 feet (6.1m). Larger tubing should be used for lengths in excess of 20 feet (6.1m). It is also important that you use pipe joint compound that is insoluble in LP gas.
6. To reduce the danger of gas leaks, explosion, and fire, please follow and observe the following **instructions and WARNINGS:**
 - Connect the dryer to the type of gas shown on the nameplate;
 - Use new flexible stainless steel connectors;
 - Use Teflon tape and pipe joint compound insoluble in LP gas on all pipe threads;
 - Purge gas supply of air and sediment before connecting the gas supply to the dryer; in order to prevent gas valve contamination, before tightening connection between gas supply and dryer, purge remaining air until odor of gas is identified; and
 - **DO NOT** use an open flame to inspect for gas leaks; instead, use a non-corrosive leak detection fluid.

⚠ WARNING!

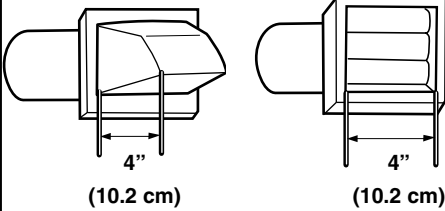
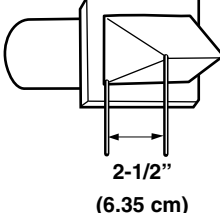
DO NOT attempt any disassembly of the dryer, any disassembly requires the attention and tools of an authorized and qualified service person or company.

⚠ WARNING!

- Use a new AGA or CSA approved gas supply line.
- Install a shut-off valve.
- Securely tighten all gas connections.
- If connected to LP, have a qualified person make sure gas pressure does not exceed 13 in. water column.
- Examples of a qualified person include licensed heating personnel, authorized gas company personnel, and authorized service personnel.
- Failure to do so can result in death, explosion, or fire.

Following are important instructions and information concerning the exhaust requirements for your dryer.

⚠ Important Warning: To reduce the risk of fire, combustion, or accumulation of combustible gases, **DO NOT** exhaust dryer air into an enclosed and unventilated area, such as an attic, wall, ceiling, crawl space, chimney, gas vent, or concealed space of a building. To reduce the risk of fire, **DO NOT** exhaust the dryer with plastic or thin foil ducting.

Weather Hood Type	Number of 90° Elbows	Maximum length of 4" (10.2 cm) diameter rigid metal duct	Maximum length of 4" (10.2 cm) diameter flexible metal duct
<p>Recommended</p> 	0	65 feet (19.8 m)	45 feet (13.7 m)
	1	55 feet (16.8 m)	35 feet (10.7 m)
	2	47 feet (14.3 m)	30 feet (9.1 m)
	3	36 feet (11.0 m)	25 feet (7.6 m)
	4	28 feet (8.5 m)	20 feet (6.1 m)
<p>Use Only for Short Run Installations</p> 	0	55 feet (16.8 m)	35 feet (10.7 m)
	1	47 feet (14.3 m)	27 feet (8.2 m)
	2	41 feet (12.5 m)	21 feet (6.4 m)
	3	30 feet (9.1 m)	17 feet (5.2 m)
	4	22 feet (6.7 m)	15 feet (4.5 m)

NOTE : Deduct 6 feet (1.8 m) for each additional elbow.
It is not recommended to use more than 4 90° elbows.

Exhaust Requirements and Instructions:

- Venting materials are not provided with the dryer and you should obtain the necessary venting materials locally. For example, the outer end of exhaust pipe must have a weather hood with hinged dampers to prevent back-draft when the dryer is not in use.
- The exhaust duct must be four inches (10.2 cm) in diameter with no obstructions. The exhaust duct should be kept as short as possible. Make sure to clean any old ducts before installing your new dryer.
- Rigid metal duct is recommended. Do not install flexible duct in concealed spaces. Non-combustible flexible metal duct is acceptable. Do not use plastic or thin foil ducting.
- DO NOT** use sheet metal screws on exhaust pipe joints or other fastening means which extend into the duct that could catch lint and reduce the efficiency of the exhaust system. Secure all joints with duct tape.
- To maximize operating results, please observe the duct length limitations noted in the chart above.

Exhaust and Dryer Maintenance

WARNING!

Disconnect the dryer's electric power prior to any cleaning or maintenance.

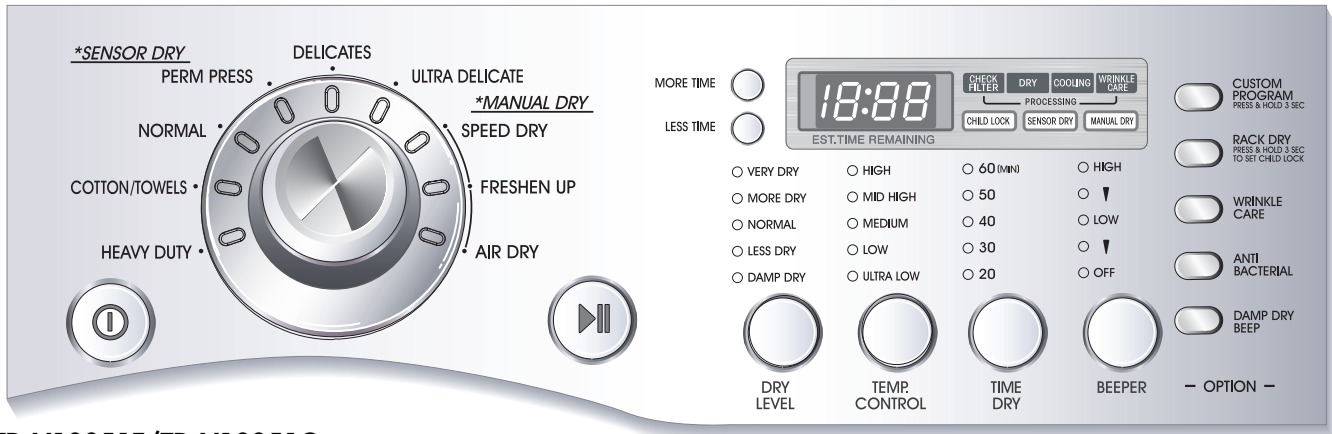
1. After one year of use, the interior and complete exhaust system of the dryer should be examined and cleaned if necessary.
2. You should inspect and clean the exhaust duct at least yearly.
3. Check the weather hoods frequently to ensure the dampers are moving freely, that the dampers are not pushed in and that nothing has been set against the dampers.
4. A qualified service person or company should be used to perform this maintenance.
5. A Flexible Metal Vent Kit, available at extra cost, can be used to exhaust the dryer when it is placed in hard to reach places. This Kit comes in two pieces, one of which is attached to the dryer and the other is attached to the wall exhaust outlet. Following attachment of the two separate pieces to the dryer and the wall, the dryer may be returned to its final position, after which the two pieces themselves can be connected.
7. Ordinarily, the dryer drum will need no care. Wipe the exterior of the dryer as required, and always immediately wipe the exterior of the dryer in the event any detergent, bleach, or other washing products is spilled on the dryer, because these products may cause permanent damage to the exterior finish of the dryer.
8. Clean the control panel with a damp cloth as necessary. Warning: spray pre-wash products may damage the finish of the control panel.
9. Please clean the lint filter either before drying each load or after drying each load.
10. Always make sure the lint filter is clean before starting a new load, because a clogged lint filter may increase drying times.
11. Annually remove the lint filter and attach it to the vacuum duct. See item #2 above.
12. Please note that the wiring diagram is provided inside the dryer control hood. Label all wires prior to disconnection when servicing the dryer, because wiring errors can cause serious injury to you and your dryer.

Cleaning the Lint Screen

1. Clean the lint filter either before drying each load or after drying each load. Always make sure the lint filter is clean before starting a new load, because a clogged lint filter may increase drying times.
2. To clean, pull the lint screen straight up and roll any lint off the screen with your fingers. Do not rinse or wash screen to remove lint, because wet lint is hard to remove. Push the lint screen firmly back into place.
3. Always ensure the lint screen is firmly secured before running the dryer. Running the dryer with a loose lint screen may cause overheating and damage to the dryer and articles being dried.
4. Some articles of clothing may shed more lint than others (towels for example), causing the Lint Screen to rapidly fill. Remove lint from the lint screen before and after drying these articles, such as new towels.
5. In the event lint falls off of the lint screen and into the dryer during removal, inspect the exhaust hood and remove any lint.
6. Laundry detergent and fabric softener residue can build up on the lint screen, causing longer drying times. The screen is likely blocked if lint falls off the screen. In order to prevent this type of build up, and help ensure proper operation of your dryer, clean the lint screen with a nylon brush every six months or, if necessary, more frequently. The lint filter can also be washed as follows:
 - a) After rolling the lint off of the screen with your fingers, wet both sides of the screen with hot or warm water.
 - b) Wet a nylon brush with hot water and liquid detergent and scrub the lint screen with the brush to remove the buildup of detergent and fabric softener.
 - c) Repeat as necessary.
 - d) After the residue has been removed, rinse screen with hot water.
 - e) After drying the lint screen with a clean towel, firmly replace the lint screen in your dryer.

Following are instructions for starting and using your new dryer. Please refer to specific sections of this manual for more detailed information. Important Warning: To reduce the risk of fire, electric shock, or injury to person, read this entire manual, including the **Important Safety Instructions**, before operating this dryer.

TD-V10050E/TD-V10050G/TD-V10055E/TD-V10055G/TD-V12055E/ TD-V12055G/TD-V12056E/TD-V12056G/TD-V14056E/TD-V14056G



TD-V10051E/TD-V10051G



STARTING YOUR DRYER

1. Using Your Dryer

1. Clean lint screen before or after each cycle.
2. Place laundry into dryer and shut door. See Loading.
3. Turn the knob to select the drying cycle you want. The preset settings for Sensor Dry Cycles or Manual Cycles will glow. The estimated or actual cycle time (in minutes) will show in the display.

! WARNING!

Explosion Hazard

Keep flammable materials and vapors, such as gasoline, away from dryer.

Do not dry anything that has ever had anything flammable on it (even after washing). Failure to follow these instructions can result in death, explosion, or fire.

! WARNING!

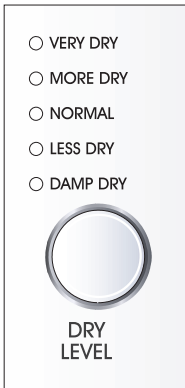
Fire Hazard

No washer can completely remove oil.

Do not dry anything that has ever had any type of oil on it (including cooking oils).

Items containing foam, rubber, or plastic must be dried on a clothesline or by using an Air Cycle. Failure to follow these instructions can result in death or fire.

2. To use a Sensor Dry Cycle



- **Select** an Sensor Dry Cycle.
- **Select** DRY LEVEL to adjust how dry you want the load. As the cycle runs, the control senses the dryness of the load and adjusts the time automatically for the selected dryness level.
- **Select** the desired Options.
- **Press** START/PAUSE

NOTE: DRY LEVEL selections can only be made while using Sensor Dry Cycles. Selecting MORE Dry or LESS Dry automatically adjusts the sensed time needed.

3. To use a Manual Dry Cycle

- Select a Manual Dry Cycle.
- Press MORE TIME or LESS TIME until the desired drying time is displayed. Tap MORE TIME or LESS TIME and the time will change by 1 minute intervals.

NOTE: The MORE TIME or LESS TIME feature can be used with Manual Dry, Time Dry, and Rack Dry Cycles.



- Press TEMP. CONTROL until the desired temperature indicator glows.
- (OPTIONAL STEP) If desired, select OPTIONS. For more details, see Options.
- Press START/PAUSE. Be sure the door is closed.
- If you do not press START/PAUSE within 10 minutes of selecting the cycle, the dryer automatically shuts off.
- If you wish to end your drying cycle after pressing START/PAUSE, press START/PAUSE again.

4. Stopping Your Dryer

To stop your dryer at any time

Press START/PAUSE or open the door.

Pausing or Restarting

To pause the dryer at any time

Open the door or press START/PAUSE once.

To restart the dryer

Close the door. Press START/PAUSE.

NOTE: Drying will continue from where the cycle was interrupted if you close the door and press START within 10 minutes. If the cycle is interrupted for more than 10 minutes, the dryer will shut off. Select new cycle settings before restarting the dryer.

5. Loading

When loading your dryer:

- Determine load size by the amount of space the load requires rather than the weight of the load.
- Avoid overloading the dryer.

Following these instruction can help reduce your utility bill, prolong the life of your clothes, and decrease the likelihood of uneven drying and wrinkle.

Following are sample loads for Super Capacity Dryers:

Heavy Work Clothes 4 jeans 4 workpants 4 work shirts	2 sweatpants 2 sweatshirts
Cotton/Towels 10 bath towels 10 hand towels	14 wash cloths
Mixed Load 3 sheets (1 king, 2 twin) 4 pillowcases 3 shirts 3 blouses	9 T-shirts 9 shorts 10 handkerchiefs

Child Lock

This feature allows you to lock your settings to prevent children from changing them. You can also use the child lock feature to prevent unintended cycle or option changes during dryer operation.



To enable the Child Lock feature:

Press and hold RACK DRY for 3 seconds. A single BEEP Tone is heard, and CL is displayed. To unlock, press and hold RACK DRY for 3 seconds. The indicator light turns off.

6. Cycle Descriptions

Select the drying cycle that matches the type of load you are drying.

(See Sensor Dry or Manual Preset Cycle Settings charts.)

Sensor Dry Cycles allow you to match the cycle to the load you are drying. Each cycle dries certain fabrics at the recommended temperature. A sensor detects the moisture in the load and automatically adjusts the drying time for optimal drying

Sensor Dry Cycle

- **Heavy Duty**
Use this cycle to get high heat for heavy fabrics such as jeans, corduroys, or work clothes
- **Cotton/Towels**
Use for drying denims, towels, heavy cottons (medium-high heat)
- **Normal**
Use for drying sturdy fabrics such as work casual clothes (medium heat)
- **Perm press**
Use for permanent press and synthetic items (medium-heat)
- **Delicates**
Use for drying synthetic fabrics, washable knit fabrics, and no-iron finishes (low heat)
- **Ultra Delicate**
Use to gently dry items such as workout wear, shear and lace items (ultra low heat)

Sensor Dry Preset Cycle Settings		
Sensor Dry Cycles Load Type	Temp.	Time* (Minutes)
HEAVY DUTY Jeans, heavyweight	High	54
COTTON/TOWELS Towel, denim pants	Medium High	55
NORMAL Work clothes, corduroys	Medium	41
PERM PRESS Synthetics, permanent press	Low	36
DELICATES Lingerie, sheets, blouses	Low	32
ULTRA DELICATE Shear, workout wear and lace items	Ultra Low	34

* Estimated Time with SENSOR DRY LEVEL (Normal) setting.

Manual Cycles

Use Manual Cycles to select a specific amount of drying time and a drying temperature. When a Manual Cycle is selected, the ESTIMATED TIME REMAINING display shows the actual time remaining in your cycle. You can change the actual time in the cycle by pressing MORE TIME or LESS TIME.

- **Speed Dry**
Use for small loads or loads that need a short drying time.
- **Freshen Up**
Use this cycle to remove wrinkles from items, such as clothes packed in a suitcase or items wrinkled from being left in the dryer too long.
- **Air Dry**
Use the Air Dry Modifier for items that require drying without heat such as rubber, plastic and heat-sensitive fabrics.

• **Time Dry**

Use this cycle to complete drying if items are still damp after an Sensor Dry Cycle. Time dry is also useful for drying heavyweight and bulky items, such as bedspreads and work clothes.

Manual Preset Cycle Settings		
Manual Dry Cycles Load Type	Temp.	Default Time* (Minutes)
SPEED DRY SMALL LOADS	High	25
FRESHEN UP Remove Wrinkles	Medium High	20
AIR DRY	Air Dry	30

7. Options

You can customize your cycles by selecting options.

Damp Dry Beep

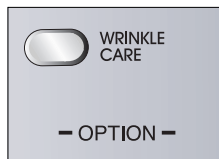
When you select the damp dry beep option, a beep will alert you when your load is Approximately 80% dry.



This notice will allow you to remove lightweight items that are dry or other items that you may wish to iron.

WRINKLE CARE

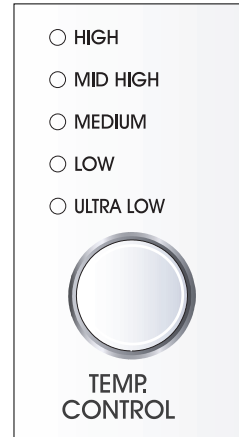
When you select the wrinkle free option, the dryer will periodically tumble for up to three hours after to the cycle has completed.



This option helps to prevent the wrinkle that form when a load remains in the dryer after the cycle is completed. The wrinkle care option ends after the three hours when you push the wrinkle care option button on, when you open the dryer door

8. Modifiers

Use Modifiers to select temperatures for the Manual Cycles. Press TEMP. CONTROL until the desired temperature setting glows. Temperature modifiers cannot be used with the Sensor Dry Cycles.



When using Air Dry

This chart shows examples of items that can be dried using AIR DRY.

Type of Load	Default Time* (Minutes)
Foam rubber-pillows, padded bras, stuffed toys	20 - 30
Plastic-Shower curtains, tableclothes	20 - 30
Rubber-backed rugs	40 - 50
Olefin, polypropylene, shear nylon	10 - 20

* Reset cycle to complete drying, if needed.

- Check to see that coverings are securely stitched.
- Shake and fluff pillows by hand periodically during the cycle.
- Dry item completely. Foam rubber pillows are slow to dry.

NOTE: Air Dry is not available with Sensor Dry Cycles.

9. Rack Dry

The dryer rack is shipped in place in your dryer. Remove and discard any packing material before use.

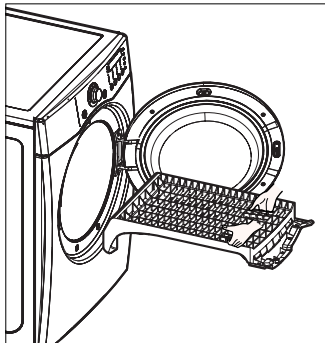


The RACK DRY is designed for use with items that you do not want to tumble dry, including sweaters and similar items. The heated dryer rack allows the heated air inside the dryer to flow in a concentrated pattern, allowing effective and consistent drying. Use RACK DRY to select the desired time.

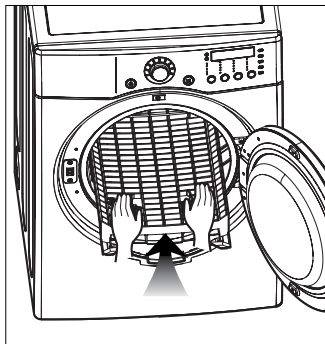
To use the RACK DRY

1. Open the door.

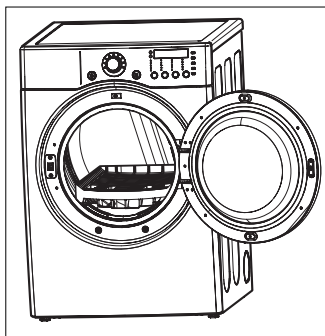
Hold the dryer rack with both hands.



2. Put the dryer rack into the drum



3. Make sure Dryer RACK is evenly spaced the drum inside and door rim.



NOTE: Check the lint screen and remove any lint accumulated from items dried on the rack.

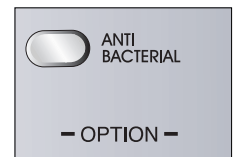
Suggested Items for Rack Drying	Temperature Setting	Suggested Time* (Minutes)
Washable wool items	Low	20
Stuffed toys with cotton or polyester fiber filling	Low/Ultra Low	20/30
Stuffed toys, foam rubber filled.	Air Dry/ Ultra Low	50/30
Foam rubber pillows	Air Dry	50
Athletic shoes	Air Dry	20

* Reset time as needed to complete drying.

- When drying washable wool items, block and shape the items to lay flat on the dryer rack.
- Select RACK DRY and MORE TIME or LESS TIME. Reset time as needed to complete drying. Refer to the following table.
- Select the desired temperature setting to match the fabrics in your load by pressing TEMP. CONTROL (Air Dry-Ultra Low-Low). Items containing foam, rubber, or plastic must be dried on a clothesline or by using the Air Dry temperature setting. Refer to the following table.
- Start the dryer.

10. Anti Bacterial

This option can only be used with the HEAVY DUTY, COTTON/TOWELS, and NORMAL cycles.



This option reduces certain types of bacteria.

The ANTI BACTERIAL process produces high temperature during the cycle.

NOTE: Do not use this cycle on delicate fabrics.

11. Custom Programming

Set up your favorite combination of settings and save them here for one-touch recall.

To store a CUSTOM PROGRAM.

1. Select a cycle
2. Change DRY LEVEL and TEMP. CONTROL.
3. Select OPTIONS you want.
4. Press and hold the CUSTOM PROGRAM.

To recall your stored CUSTOM PROGRAM

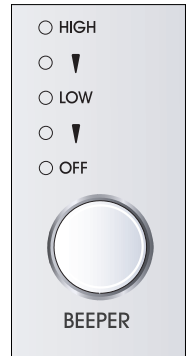
Press CUSTOM PROGRAM button, then press START/PAUSE.



12. Beeper

The BEEPER controls the volume of the beep that is made when you press any of the buttons on the control panel and the termination of any cycle is indicated.

Press BEEPER to adjust the sound level or turn off the signal.

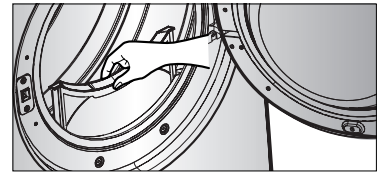


Maintenance

Clean lint filter

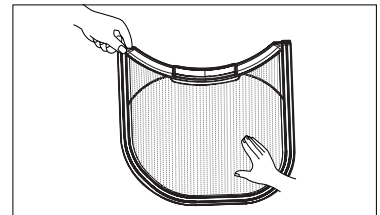
Clean the lint filter after each use and check it before use. Not cleaning or emptying the filter will increase drying time and energy consumption, therefore dryer life expectancy could be shortened after all.

1. Open the door and pull the filter straight up

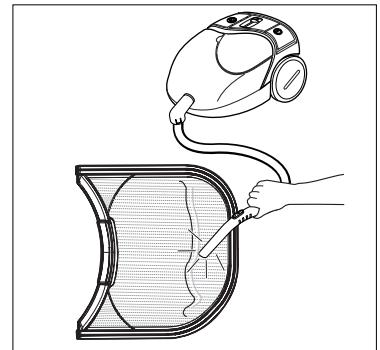


2. Clean the filter using one of following ways in cases.

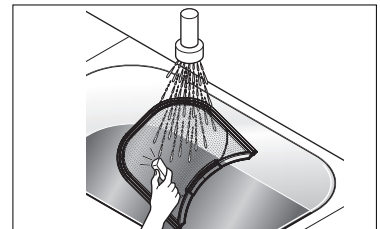
- ① Run the fingers across the filter



- ② Vacuum the lint filter

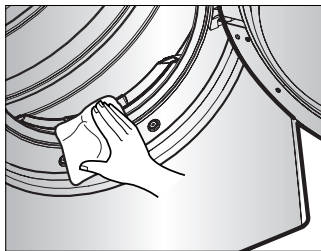


- ③ Wash the lint screen in warm, soapy water. Dry thoroughly and replace.

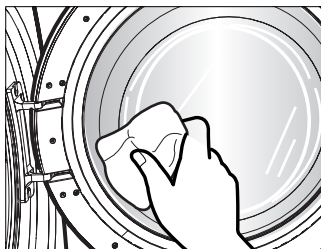


■ **Clean the door and its opening**

1. Wipe out the door opening. Otherwise, build-ups of dirty and foreign objects will damage sealing of door.



2. Clean the transparent glass door to keep inside view clear through the glass.



Troubleshooting Tips

Save time and money! Review the charts on the following pages first and you may not need to call for service.

1.Problem:My Dryer Won 't Start

Question	What to Do
• Is the dryer plugged in?	Confirm that the dryer's plug is securely and completely pushed into the laundry room's power outlet
• Is the fuse blown, or is the circuit breaker tripped?	Check your home's or laundry room's fuse box/circuit breaker box and replace the fuse or reset the circuit breaker. (IMPORTANT: electric dryers generally use two fuses or breakers.)

2.Problem:My Dryer Doesn 't Heat

Question	What to Do
• Is the fuse blown, or is the circuit breaker tripped?	If the fuse is blown or the circuit breaker tripped, the dryer might tumble but not heat. Check your home's or laundry room's fuse box / circuit breaker box and replace the fuse or reset the circuit breaker. (IMPORTANT: electric dryers generally use two fuses or breakers.)
• Is the gas supply or service blocked or off?	Confirm that the house gas shutoff and the dryer gas shutoff are both fully open.

3.Problem:There are Greasy Spots on My Clothes

Question	What to Do
• Did you follow the instructions on your fabric softener product?	Confirm and follow the instructions provided with your fabric softener product.
• Are you drying clean and dirty clothes together?	Make sure to use your dryer to dry only clean items, because dirty items can soil clean clothes placed in the same load or later placed in the dryer drum.
• Were your clothes entirely clean?	Stains on dried clothes are actually stains that weren't cleansed during the washing process. Please review and confirm that you are following your washing instructions and that the clothes are being completely cleaned.

4.Problem:There is Lint on my Clothes

Question	What to Do
• Is your lint filter full?	Please refer to the manual section on cleaning the lint filter, and please confirm that the lint filter is clean. It is important that the lint filter is clean before each new load of laundry.
• Did you properly sort your load of laundry?	In order to reduce the amount of lint in a load of laundry, sort lint producers (like a fuzzy white cotton towel) separately from clothes that might catch lint (such as a pair of black linen pants).
• Do your clothes have excess static electricity?	See comments below under There is static in my clothes after drying.
• Did you overload your dryer?	Divide your larger load into smaller loads.
• Did you place any paper, tissue, or other similar material in the load?	Sometimes a person might forget to take a piece of paper or a tissue out of the pocket of a pair of pants, and this paper, tissue, or similar material can cause excess lint in a load of laundry. Confirm that the pockets of pants, shirts, and other articles of clothing are empty before washing and drying.

5.Problem:There is static in my clothes after drying

Question	What to Do
• Did you use fabric softener?	Try using a fabric softener to reduce static electricity.
• Did you over dry the load of laundry?	Over-drying a load of laundry can cause a build up of static electricity. Try using a fabric softener or adjust your settings and use a shorter drying time.
• Are you drying synthetic, permanent press and blends?	These materials can cause static to build up in a load of dried clothes. Try using a fabric softener.

6.Problem:The drying time is not consistent

Question	What to Do
• Are you using consistent heat settings and consistent load sizes?	The drying time for a load will vary depending on the heat setting, the type of heat used (electric, natural or LP gas), the size of the load, the type of fabrics, the wetness of the clothes and the condition of the exhaust ducts and lint filer.

7.Problem:It takes too long for my clothes to dry

Question	What to Do
• Did you properly sort your loads of laundry?	Separate heavy weight items from light weight items when creating loads.
• Are you drying large loads of heavy fabrics?	Heavy fabrics take longer to dry because they tend to retain more moisture. To help reduce and maintain more consistent drying times for large and heavy fabrics, separate these items into smaller loads of a consistent size.
• Are the dryer controls properly set?	Use the appropriate control settings for the type of load you are drying.
• Is the lint filter clean before each new load of laundry?	Please confirm that the lint filter is clean prior to each new load of laundry.
• Are the exhaust ducts clear and properly configured?	Confirm through review of the appropriate sections of this manual that the exhaust venting ductwork is properly configured. Confirm that the venting is free of obstructions. Confirm that the outside wall dampers are moving freely, that the dampers are not pushed in, and that nothing has been set against the dampers.
• Is the fuse blown, or is the circuit breaker tripped?	Check your home’s or laundry room’s fuse box/circuit breaker box and replace the fuse or reset the circuit breaker. (IMPORTANT: electric dryers generally use two fuses or breakers.)
• Did you overload your dryer?	Divide your larger load into a number of smaller loads.
• Did you under load your dryer?	If you are only drying a handful of items, add a few extra pieces to help ensure proper tumbling action.

8.Problem:My clothes are wrinkled

Question	What to Do
• Are you over drying your laundry?	Over drying a load of laundry can lead to wrinkled clothes. Try a shorter drying time, and remove items while they still retain a slight amount of moisture.
• Are you removing your laundry from the dryer soon after the drying cycle is complete?	Remove your laundry from the dryer after the drying cycle ends and either hang or fold the items.

9.Problem:My clothes are shrinking

Question	What to Do
• Are you following the care instructions for your garment?	To avoid shrinkage, please carefully follow the care and use instructions for your garment, because some fabrics will naturally shrink when washed. Other fabrics can be washed but will shrink when dried in a dryer.

CARACTERÍSTICAS DEL PRODUCTO

1

DESEMPEÑO EXTRAORDINARIO

Sin mencionar su incomparable gran capacidad, puede beneficiarse por su Eficiencia en tiempo, operación silenciosa y su sistema de ahorro de energía

2

TINA DE ACERO INOXIDABLE

El Tambor está cubierto por metal y por polímero para garantizar alta durabilidad y larga vida.

3

DISEÑO ARTÍSTICO

El moderno Diseño del Panel Frontal y su gran puerta de cristal hacen que su hogar se vea con más estilo.

4

CUIDADO DIGITAL

El control de temperatura multi nivel cuida mejor su ropa

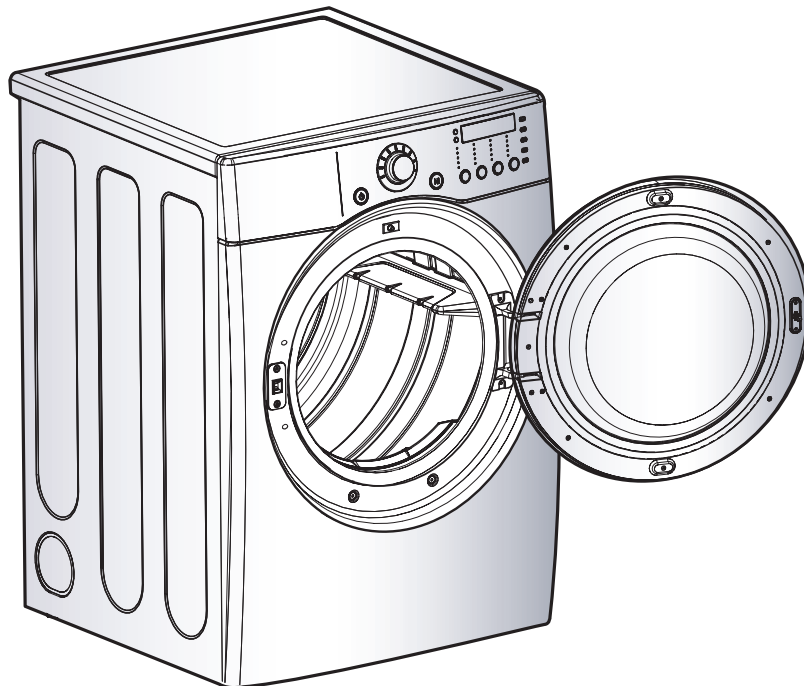
5

USO SENCILLO

Una completa selección de funciones amigables hacen la operación del secado mucho más fácil.

CONTENIDO

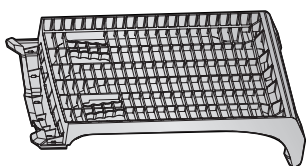
PARTE 1. ESPECIFICACIONES	3
PARTE 2. GARANTÍA E INSTRUCCIONES DE SEGURIDAD IMPORTANTES.	4-6
PARTE 3. PASOS INICIALES PARA LA INSTALACIÓN DE SU SECADORA.....	7-12
PARTE 4. INSTALACIÓN DE ACCESORIOS..	13-14
PARTE 5. REQUERIMIENTOS ELÉCTRICOS PARA SECADORA ELÉCTRICA.....	15-18
PARTE 6. REQUERIMIENTOS ELÉCTRICOS PARA SECADORAS A GAS.....	19
PARTE 7. REQUERIMIENTOS E INSTRUCCIONES SOBRE EL GAS	20
PARTE 8. REQUERIMIENTOS Y MANTENIMIENTO SOBRE EL ESCAPE	21-22
PARTE 9. USANDO SU SECADORA	23-28
PARTE 10. GUÍA PARA LA SOLUCIÓN DE PROBLEMAS.....	29-31



- Nombre : Secadora Eléctrica y de Gas
- Suministro de Energía : Favor de consultar la etiqueta de medición referente a la información detallada
- Tamaño : 27 x 29.9 x 38.7 (pulg.)
- Capacidad de la Secadora : Refiera a la etiqueta del grado
- Peso : 126(lbs)

Las especificaciones son sujetas a cambio por el fabricante.

■ ACCESORIOS



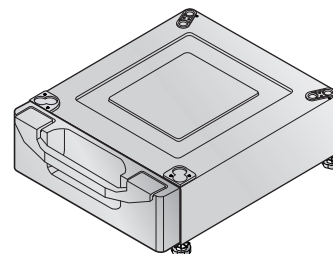
Parrilla de secado (1)

Vea la página 26 para su uso



Kit para Apilar (1)
comprado separadamente

Vea la página 13 para su uso



Pedestal (1)
comprado separadamente

Vea la página 14 para su uso

BÚSQUEDA DE ASISTENCIA SOBRE LA GARANTÍA

La Garantía de su secadora está localizada al final de este manual. El Servicio de garantía está disponible contactando su Centro de Servicio LG más cercano. Si el producto es instalado y operado según el manual, LG reparará o reemplazará cualquier pieza defectuosa dentro del periodo de la Garantía, que inicia el día de la compra



ADVERTENCIA! Para su seguridad, debe seguir las recomendaciones de este manual. Para reducir el riesgo de incendio o explosión, o choque eléctrico, o para prevenir daños a la propiedad, lesiones personales, o muerte cuando use su artefacto, siga las precauciones básicas, incluyendo las siguientes.

Restricción de la Garantía : Si la secadora es utilizada para otro propósito que no sea el uso familiar privado, toda cobertura de la garantía es efectiva por sólo 90 días.

Neceitarà Modelo y Número de Serie completo cuando pida un Servicio con garantía. Una prueba de la fecha de la compra será requerida.

Utilice el siguiente espacio para anotar el número de modelo y de serie de su nueva secadora LG.

Modelo No. _____

No. de Serie _____

Fecha de Adquisición _____

* Engrape su recibo AQUI.

INSTRUCCIONES DE SEGURIDAD IMPORTANTES

⚠ ADVERTENCIA!

Para ayudar a reducir el riesgo de choque eléctrico, incendio, o lesión personal o daño a la propiedad cuando use su secadora, por favor sea precavido y siga las precauciones de seguridad básicas, incluyendo las siguientes:

- 1) Lea todas las instrucciones antes de usar el artefacto.
- 2) No seque artículos que hayan estado en contacto con gasolina, solventes para lavado en seco, o cualquier otra sustancia inflamable o explosiva, ya que despiden vapores que pueden incendiarse o explotar.
- 3) No permita que los niños jueguen sobre o dentro del artefacto. Es necesario que supervise de cerca a los niños cuando utiliza el artefacto.
- 4) Antes de que el artefacto sea removido del servicio o desechado, quite la puerta del compartimiento de secado.
- 5) No meta la mano en el aparato si el tambor está en movimiento.
- 6) No instale o almacene este artefacto donde esté expuesto a la intemperie.
- 7) No fuerce los controles.
- 8) No repare o reemplace ninguna pieza del artefacto ni intente darle servicio a menos que esté específicamente recomendado en las instrucciones de mantenimiento para el usuario.
- 9) No use calor para secar artículos que contengan hule espuma o materiales de textura similares al hule.
- 10) Limpie la malla para pelusas antes o después de cada carga.
- 11) Mantenga el área alrededor de la abertura de escape y las áreas adyacentes libres de acumulación de pelusa, polvo y sucio.
- 12) El interior del artefacto y el ducto de escape deben ser limpiados periódicamente por personal de servicio calificado.
- 13) No coloque artículos que hayan sido expuestos a aceite de cocina dentro de la secadora. Artículos contaminados con aceite de cocina pueden contribuir a una reacción química causante de incendiar una carga.
- 14) No use suavizantes de telas o productos para eliminar la estática a menos que sea recomendado por el fabricante de estos productos.

GUARDE ESTAS INSTRUCCIONES

INSTRUCCIONES DE CONEXIÓN A TIERRA

Este artefacto debe estar conectado a tierra. En caso de mal funcionamiento o avería, la conexión a tierra reduce el riesgo de choque eléctrico al proveer una ruta de menor resistencia a la corriente eléctrica. Este artefacto está equipado con un cordón que contiene un conductor equipo-tierra y un enchufe con conexión a tierra. El enchufe debe ser conectado a un tomacorriente adecuado, debidamente instalado y conectado a tierra de acuerdo con todos los códigos locales y ordenanzas.

ADVERTENCIA- Una incorrecta conexión del conductor equipo-tierra puede resultar en un riesgo de choque eléctrico.

Verifique con un electricista calificado o un técnico de servicio si tiene alguna duda si el artefacto está debidamente conectado a tierra.

No modifique el enchufe suministrado con el artefacto; si éste no encajase en el tomacorriente, haga que le instalen un tomacorriente adecuado por un electricista calificado.

⚠ QUE HACER EN CASO DE OLER GAS:

- No intente encender un fósforo, o cigarrillo, o encender ningún artefacto de gas o eléctrico.
- No toque ningún interruptor eléctrico. No use ningún teléfono en su casa o edificio.
- Evacúe la habitación, edificio o el área de todos los ocupantes.
- Llame inmediatamente a su proveedor de gas desde el teléfono de un vecino. Siga cuidadosamente las instrucciones de su proveedor de gas.
- Si no puede contactar a su proveedor de gas, llame al departamento de bomberos.

⚠ ADVERTENCIA

Para reducir el riesgo de incendio o explosión, choque eléctrico, daño a la propiedad, lesiones personales, o muerte cuando use este artefacto, por favor siga todas las instrucciones e información, incluyendo las de este manual y las instrucciones e información suministradas por su proveedor de gas, incluyendo las siguientes:

- No almacene o use gasolina, solventes para lavado en seco, o cualquier otro vapor o líquido inflamable en el área adyacente a este artefacto.
- No seque nada que alguna vez haya tenido contacto con algo inflamable, aún después de lavarlo.
- Ninguna lavadora puede remover completamente el aceite. No seque ningún artículo que haya tenido contacto con cualquier clase de aceite, incluyendo aceite de cocinar.
- Artículos que contienen espuma, hule, materiales similares al hule, plástico, o materiales similares deben secarse en el tendedero o utilizando el ciclo de aire.
- La falta de cumplimiento de estas instrucciones puede resultar en incendio, muerte o lesiones serias.
- Un técnico o una compañía calificada debe efectuar la instalación y proveer el servicio a este artefacto.

⚠ ADVERTENCIA!

- Mantenga los materiales y vapores inflamables, como la gasolina, lejos de la secadora.
- Coloque la secadora al menos 18 pulgadas sobre el piso para instalación en el garaje.
- Si no cumple con estas instrucciones puede resultar en muerte, explosión o incendio.

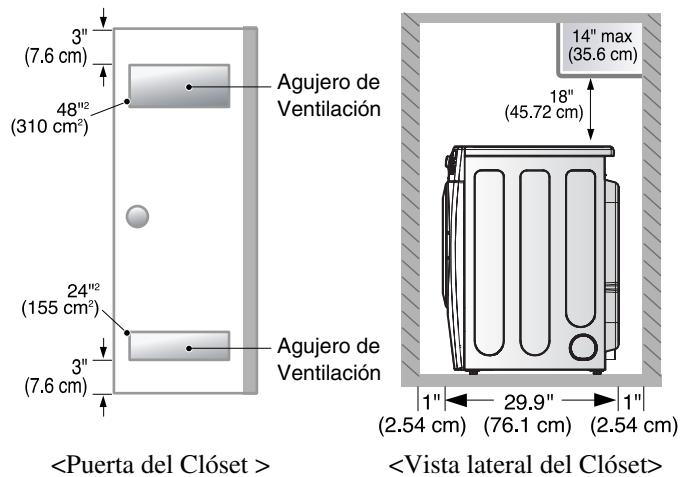
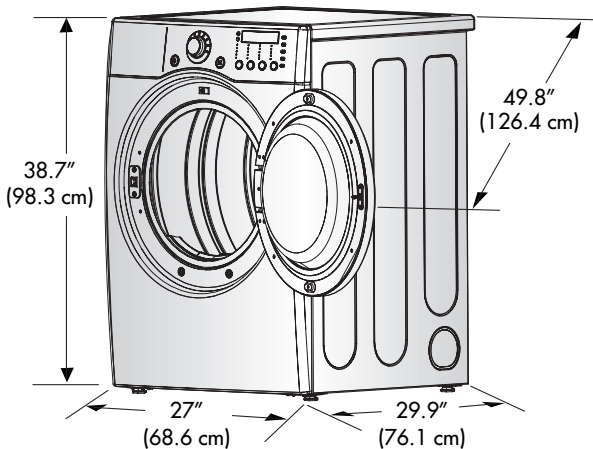
Las siguientes instrucciones le servirán de guía a través de los pasos iniciales para la preparación de su secadora para el uso. Por favor note que cada sección de este manual proporciona información importante sobre la preparación y uso de su secadora, y es muy importante que lea este manual completamente antes de proceder con cualquiera instalación o con su uso. Instrucciones detalladas adicionales concernientes a las conexiones eléctricas, conexiones del gas, y los requerimientos sobre el escape son suministrados en otras partes de este manual.

PASO 1 Colocación de la Secadora

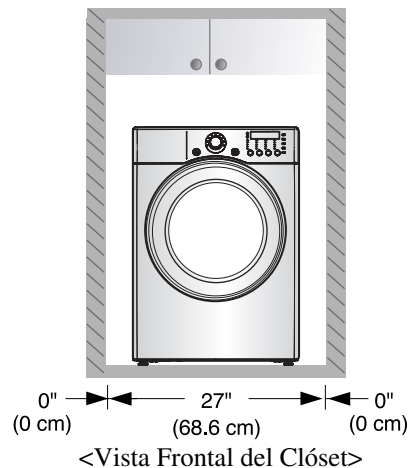
Escoja una ubicación para su secadora donde el piso sea sólido. Coloque la secadora al menos 18 pulgadas por arriba del piso para una instalación en el garaje. Después de colocar la secadora en el lugar deseado, asegúrese de que tenga despejado como se muestra debajo junto con las secciones en desague y requerimientos de Mantenición. Si está instalando su secadora en una casa prefabricada o móvil, favor refiérase al PASO 9 abajo para instrucciones adicionales.

Ciertos mínimos despejes son requeridos arriba, abajo y a los lados de la unidad, como se muestran abajo. Esos espacios mínimos requeridos están expuestos en la imagen inferior. Por favor mantenga estas instrucciones en su mente cuando instale en algún closet o área restringida:

- Considere dejar un espacio para su instalación y servicio.
- La moldura de la pared, puerta y piso pueden necesitar despejes adicionales.
- Una pulgada extra de despeje es recomendado para minimizar la tranferencia de ruido.
- Considere espacio para aplicaciones que acompañen su producto.
- Para instalaciones en closet, la siguiente imagen muestra el mínimo requerimiento de ventilación para la puerta. Una puerta de rejillas con aperturas de ventilación comparables son también es aceptable.



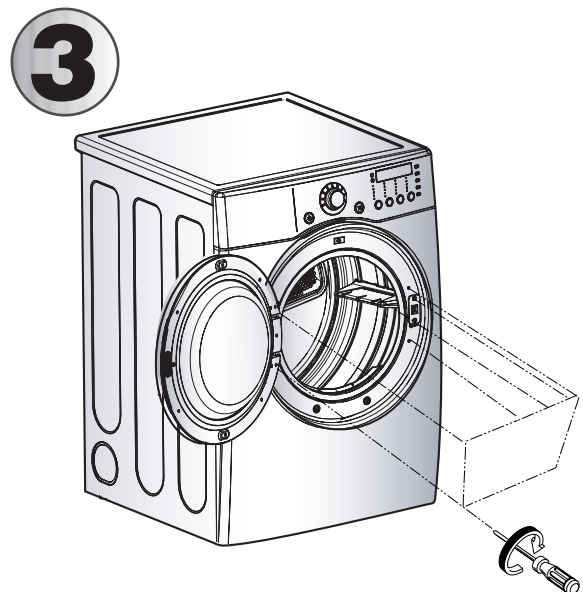
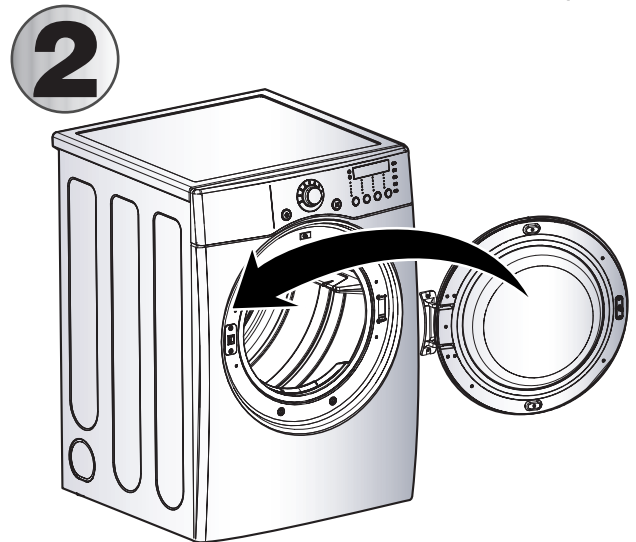
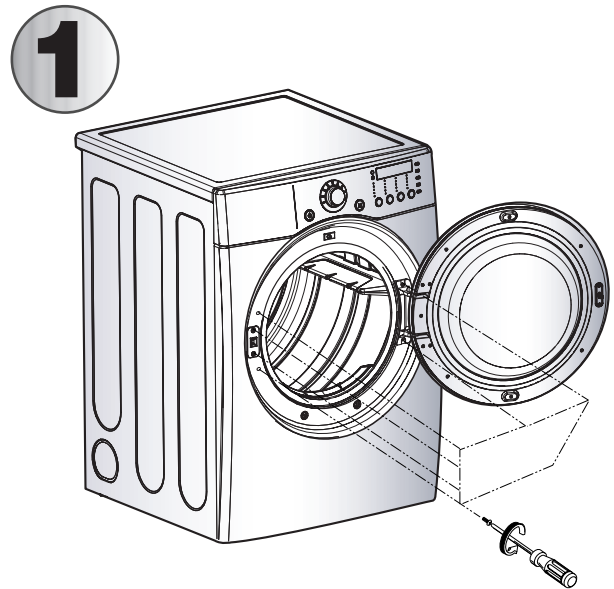
* La mayoría de las instalaciones requieren un mínimo de 5 1/2 pulgadas de espacio libre (14 cm) detrás de la secadora para el conducto de escape con el codo.



Una vez en posición ajuste las patas niveladoras de la secadora hasta que esté nivelada de izquierda a derecha y del frente hacia atrás. Las patas niveladoras deben permanecer firmes en el piso y la secadora no debe mecerse. La máxima inclinación de la secadora de izquierda a derecha o del frente hacia atrás no debe ser mayor de 2.5 cm (1 pulgada). Si la secadora no está nivelada, y si la inclinación excede los 2.5 cm (1 pulgada), la carga puede que no gire adecuadamente y los sensores internos pueden no funcionar correctamente. Nota: Otras secciones de este manual también proveen información importante sobre la ubicación y los espacios libres para su secadora. Por favor lea este manual completamente antes de proceder con cualquier instalación.

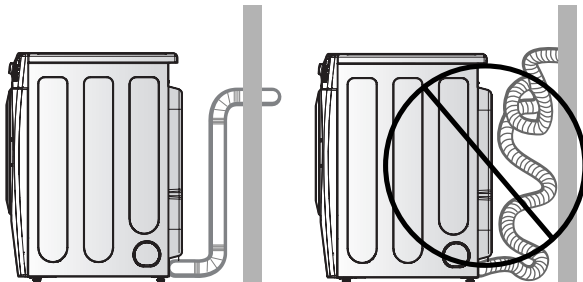
PASO 2 Procedimiento para Invertir la Puerta

La puerta de su secadora puede ser instalada de manera que abra hacia la izquierda o hacia la derecha. Siga estos procedimientos para invertir la dirección en que su puerta abre:



PASO 3 Conexión del Sistema de Escape y Ventilación

Además de las siguientes advertencias, por favor refiérase a la sección del manual sobre Requerimientos y Mantenimiento del Escape. **IMPORTANTE:** Para reducir el riesgo de incendio, combustión y acumulación de gas, la secadora debe estar ventilada hacia la intemperie. Por favor siga las siguientes instrucciones (y todas las otras en este manual) muy cuidadosamente.



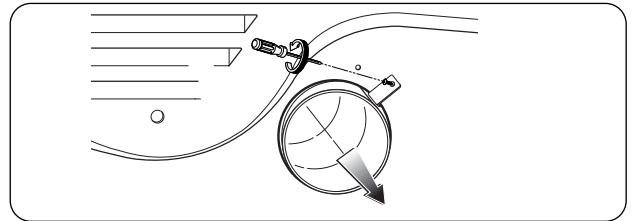
- No use ductos de plástico o de lámina delgada.
- Utilice ducto rígido o flexible de metal de 4" (10.2 cm) de diámetro (nota: Los materiales para ventilación no son suministrados con la secadora, y usted debe obtenerlos por separado para una adecuada instalación)
- Coloque la secadora en tal posición que el ducto corra de la menor forma posible.
- **Limpie los ductos viejos antes de instalar esta secadora.**
- El extremo macho de cada sección del ducto de escape debe apuntar contrario a la secadora.
- Use las menores conyucturas posibles
- Utilice cinta selladora de ductos en todas las uniones de ductos.
- Aísle la instalación de escape que pase a través de áreas sin calentamiento con el fin de reducir la condensación y la acumulación de pelusas en las paredes de la tubería; y
- **POR FAVOR TENGA CUIDADO YA QUE DE NO INSTALAR CORRECTAMENTE EL SISTEMA DE ESCAPE ANULARÁ LA GARANTÍA DE LA SECADORA**

⚠ ADVERTENCIA!

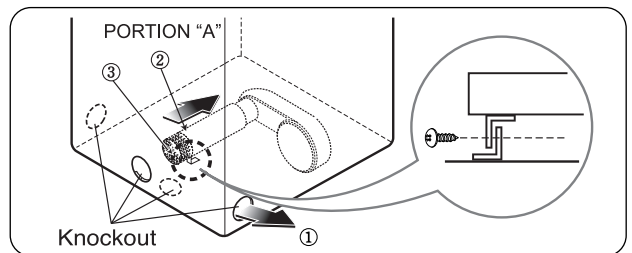
- Utilice material para ventilación de metal pesado
- No utilice material para ventilación de plástico.
- No utilice material para ventilación de lámina de metal
- Si no cumple con estas instrucciones puede resultar en muerte o incendio.

■ DIRECCIONES ALTERNAS PARA EL ESCAPE

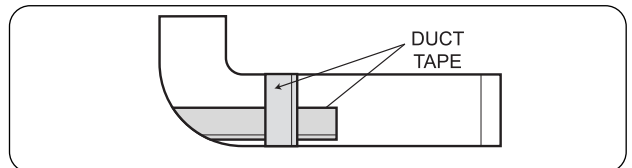
1. Quite el tornillo y el ducto de escape.



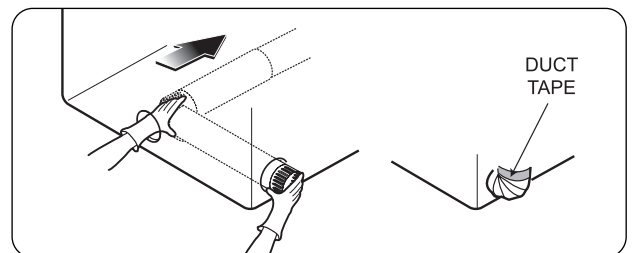
2-1. Separe y remueva el botón que iguala la dirección de ventilación deseada. (El lado derecho no es disponible en Secadoras de Gas) ①, ②, ③ es el orden de trabajo.



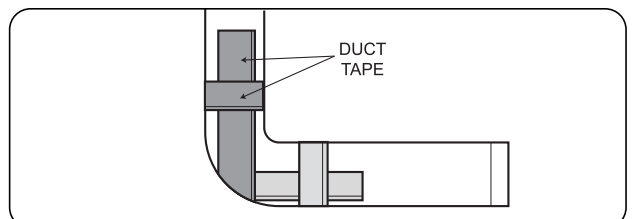
2-2. Reconecte el ducto a la salida de la manguera y junte el ducto a la base. (El ducto es una parte de SVC)



3-1. Arme previamente un codo de 4 con un ducto de 4". Envuelva la cinta selladora para ducto alrededor de la unión.

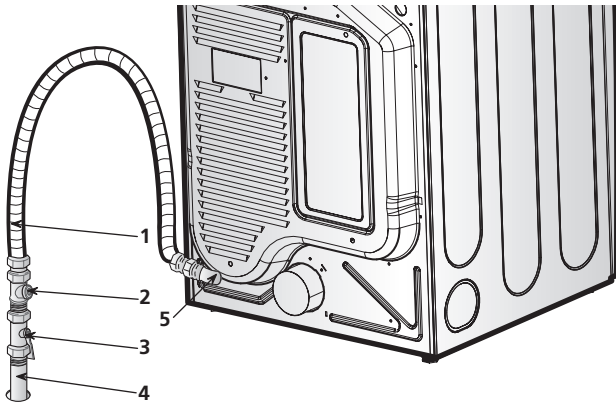


3-2. Inserte el montaje del ducto, el codo primero a través de la abertura lateral y conecte el codo al ducto interno de la secadora.



PASO 4 Conexión del Suministro de Gas

(Secadora a Gas solamente). Además de lo siguiente, por favor refiérase a la sección del manual sobre Requerimientos e Instrucciones del Gas.



1. Conector flexible nuevo de acero inoxidable. Utilice este tipo de conector sólo si es permitido por los códigos locales. Use un conector de diseño AGA Certificado.
 2. Conector de tubo NPT de 1/8" (para verificar la presión de entrada de gas)
 3. Válvula de Cierre de Equipo instalada a una distancia de 6' (1.8 m) de la secadora.
 4. Tubería de hierro. Más corta de 20' (6.1 m) Use tubería de 3/8" . Más larga de 20' (6.1 m) - Use tubería de 1/2" .
 5. Conexión de Gas N.P.T de 3/8" .
1. Confirme que el tipo de gas disponible en su cuarto de lavado sea el adecuado para su secadora. La secadora está preparada para Gas Natural con una conexión de gas NPT de 3/8".
 2. Remueva la tapa protectora de la conexión de gas detrás de la secadora. Asegúrese de no dañar la rosca de la tubería de la conexión de gas cuando remueva la tapa protectora.
 3. Conecte la secadora al suministro de gas en su cuarto de lavado utilizando un conector nuevo flexible de acero inoxidable (como se mencionó antes, sólo use un conector nuevo flexible de acero inoxidable si es permitido por códigos locales)
 4. Asegúrese de apretar todas las conexiones entre la secadora y el suministro de gas en su cuarto de lavado. Abra el suministro de gas en su cuarto de lavado y verifique todas las conexiones de la tubería (internas y externas) para detectar fugas de gas utilizando un detector líquido de fugas no corrosivo.
 5. Para una conexión a gas LP (Petróleo Licuado), refiérase a la sección de este manual sobre Requerimientos e Instrucciones del Gas.

PASO 5 Conexión Eléctrica

A continuación encontrará advertencias e instrucciones concernientes a la confección de la conexión eléctrica para secadoras eléctricas. Información detallada adicional concerniente a la conexión eléctrica es suministrada en la sección del manual Requerimientos Eléctricos para la Secadora Eléctrica y es importante que usted lea esta sección completamente, así como el resto del manual, antes de tomar algún paso para instalar o usar esta secadora.

1. Use solamente un cordón de alimentación nuevo listado No. 10 por U.L. (alambre de cobre únicamente) de tres conductores clasificado para 240 Voltios (mínimo) 30 Amperios y que está indicado de uso aceptable para una secadora de ropa.
2. Un cordón de 4 alambres es requerido para instalaciones y uso en casas prefabricadas (móvil) y donde los códigos locales no permitan conexión a tierra de este aparato a través del neutral.
3. Conexión Eléctrica
4. Para instrucciones adicionales de como conectar la secadora a una fuente eléctrica, favor refiérase a la sección de este manual sobre Requerimientos Eléctricos para Secadora Eléctrica.

⚠ ADVERTENCIA!

- Use un cordón de alimentación nuevo aprobado por U.L. de 30 amp. o alambre de cobre sólido calibre 10.
- Use un liberador de tensión aprobado por UL .
- Desconecte la corriente antes de hacer las conexiones eléctricas.
- Conecte el alambre neutral (alambre blanco o central) al terminal central.
- El alambre a tierra alambre verde o descubierto debe conectarse al conector a tierra verde.
- Asegúrese de apretar todas las conexiones eléctricas.
- Vea las instrucciones de instalación para unas instrucciones completas.
- De no seguir estas advertencias puede resultar en incendio o choque eléctrico.

PASO 6 Preparación de la Secadora

Antes de usar por primera vez esta secadora, utilice un producto limpiador para todo propósito, o una solución de detergente y agua, con un paño húmedo para remover de la parte interior del tambor de la secadora /compartimiento de secado cualquier polvo o sucio que se haya podido acumular dentro de la secadora. Enchufe su secadora después de haber revisado las siguientes partes en los Requerimientos Eléctricos de su secadora.

PASO 7 Confirmación de la Operación de la Fuente de Calor.

Confirmación de la Fuente de Calor en Secadoras a Gas

Cierre la puerta al tambor / compartimiento de secado de la secadora y después de haber completado todos los pasos de este manual para la instalación correcta de esta secadora, encienda la secadora en temperatura caliente, como mejor se describe en las instrucciones de operación provistas con la secadora. Después que la secadora se enciende, el encendedor resplandecerá en rojo y el quemador principal encenderá.

Advertencia: Si no todo el aire es purgado fuera de la línea de gas, el encendedor podría apagarse antes de que el gas y el quemador principal se hayan encendido. Si esto sucede, el encendedor intentará encender el gas después de aproximadamente dos minutos.

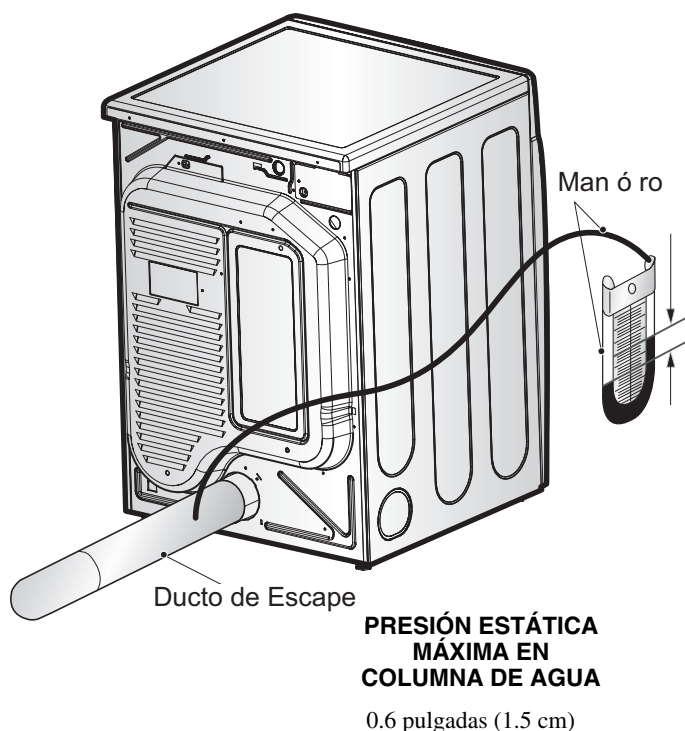
Confirmación de la Fuente de Calor en Secadoras Eléctricas

Cierre la puerta al tambor / Compartimiento de secado de la secadora y después de haber completado todos los pasos en este manual para una instalación correcta de esta secadora, encienda la secadora en temperatura caliente, como mejor se describe en las instrucciones de operación provistas con la secadora. El aire de escape o el tubo de escape deben calentarse después que la secadora haya operado por tres minutos.

PASO 8 Flujo de Aire

La efectiva operación de la secadora requiere de un flujo de aire adecuado. El flujo de aire adecuado puede ser medido evaluando la presión estática. La presión estática en el ducto de escape puede ser medida con un manómetro, colocado en el ducto de escape aproximadamente a 2 pies (60.9 cm) de la secadora. La presión estática en el ducto de escape no debe exceder 0.6 pulgadas (1.5 cm). La secadora debe ser verificada cuando está operando sin carga.

Medición de la Presión Estática.



PASO 9 Instrucciones Adicionales para la Instalación de su Secadora en una Casa Prefabricada o Móvil.

Las siguientes instrucciones se aplican a instalaciones de la secadora en casas prefabricadas o móvil. La instalación en una casa prefabricada o móvil debe cumplir con los estándares de Seguridad y Construcción de Casas Prefabricadas, Título 24 CFR, Parte 32-80 o el Estándar CAN/CSA0Z240 MH y los códigos y ordenanzas locales. Si no está seguro de que la instalación cumplirá con estos estándares, por favor contacte a un profesional de mantenimiento e instalación para que le ayude.

Las siguientes instrucciones se aplican a cualquier instalación de la secadora en una casa prefabricada o móvil

- 1) Las secadoras a gas deben estar fijas al piso permanentemente.
- 2) La conexión eléctrica para una secadora eléctrica debe ser de conexión de 4 alambres. Información adicional detallada concerniente a la conexión eléctrica es suministrada en la sección del manual Requerimientos Eléctricos para la Secadora Eléctrica.
- 3) Para reducir el riesgo de combustión e incendio, la secadora debe estar ventilada hacia la intemperie.

- 4) Las secadoras eléctricas pueden ser ventiladas hacia el exterior usando el panel trasero, izquierdo, derecho o inferior
- 5) Las secadoras a gas pueden ser ventiladas hacia el exterior usando el panel trasero, izquierdo o inferior. Las secadoras a gas no pueden ser ventiladas al exterior usando el panel del lado derecho debido a la cubierta del quemador.
- 6) El ducto de escape de la secadora debe estar fijo a la estructura de la casa prefabricada o móvil, y el ducto de escape debe estar hecho de un material que resista fuego y combustión, y es recomendable que utilice una tubería de metal flexible o rígido.
- 7) NO conecte el ducto de escape con ningún otro ducto, ducto de ventilación, chimenea u otro ducto de escape.
- 8) Asegúrese que la secadora tenga un buen acceso al aire fresco del exterior para una operación adecuada. La abertura para el aire fresco del exterior debe ser de por lo menos 25 pulgadas (163 cm).
- 9) Es importante que el espacio libre del ducto de cualquier construcción combustible sea de por lo menos 2 pulgadas (5 cm), y cuando ventila la secadora hacia la intemperie, la secadora puede ser instalada con un espacio libre de 1 pulgada a los lados y en la parte posterior de la secadora.
- 10) Favor notar que los materiales para la ventilación no son provistos con la secadora. Usted debe obtener los materiales para la ventilación necesarios para una adecuada instalación.

⚠ ADVERTENCIA!

NO conecte los ductos de escape con tornillos de metal o sujetadores que se extiendan dentro del ducto.

⚠ ADVERTENCIA!

NO ventile el ducto de escape hacia abajo de la casa prefabricada o móvil.

Instrucciones de Instalación para montar el Kit

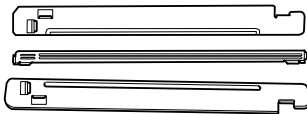
Para asegurar una instalación segura, por favor observe las instrucciones siguientes.

ADVERTENCIA

Una instalación incorrecta puede causar accidentes serios.

El peso de la secadora y la altura de la instalación hacen que montar el kit sea peligroso para una sola persona.

Este procedimiento debe realizarse por 2 o más personas con experiencia en este tipo de servicios.



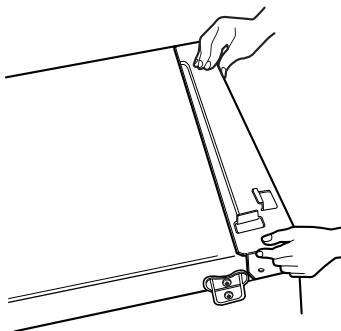
Kit para Apilar

1 Coloque la lavadora firmemente en una superficie estable y sólida.

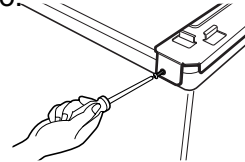
2 Quite el papel protector del kit en el soporte lateral.



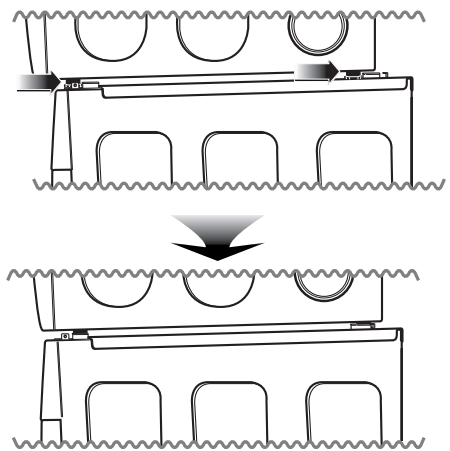
3 Encaje el soporte lateral del kit en el lado de la parte superior de la plataforma anexándole la cinta doble cara en la plataforma como muestra El dibujo.



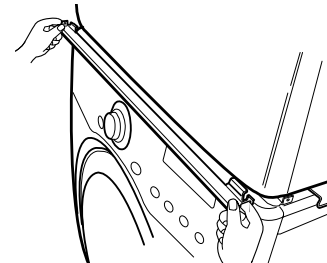
4 Asegure el kit en el soporte lateral a la lavadora con un tornillo en la parte trasera del soporte. Repita los pasos 2,3,4 para el otro lado.



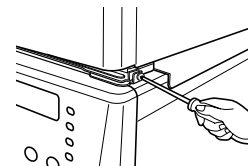
5 Coloque la secadora en la parte superior de la lavadora asegurando las patas como se muestra en el dibujo. Evite daños en los dedos- tenga cuidado en que no se queden atrapados sus dedos entre la lavadora y la secadora. Deslice lentamente la lavadora hasta el final del kit.



6 Inserte la parte frontal del kit. Empuje la parte frontal hasta el final de los soportes laterales.



7 Atornille los lados de la parte frontal del kit.



- No use el kit si existe secado de gas en condiciones inestables como una casa móvil.

Instalación de la secadora (Cinta de tipo doble-cara)

- 1 Quite el pedestal, instalación del disco duro e instrucciones del cartón del envío.
- 2 Coloque la secadora encima del pedestal.
NOTA : Debido al peso de la secadora, pueden necesitarse dos o más personas.

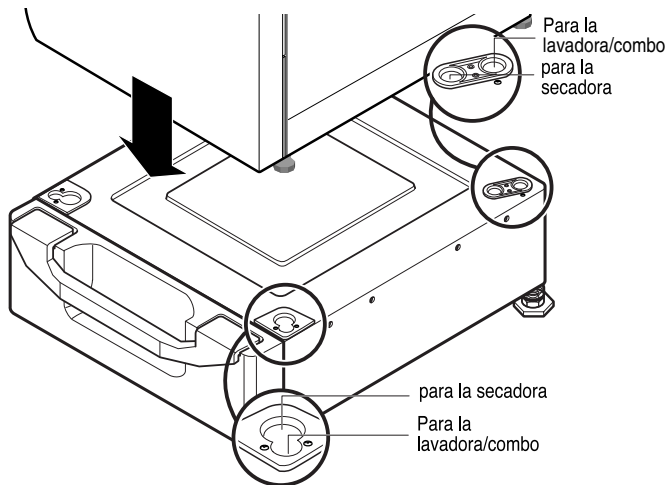
NOTA : Si la secadora fuera instalada previamente, desinstalela como sigue:

A. Desinstalando la secadora eléctrica:

- 1) Desenchufe el cordón de suministro de energía.
- 2) Jale la secadora fuera de la pared lo suficiente para aflojar la abrazadera del conducto de ventilación. Suelte la abrazadera y quite cuidadosamente el extractor del conducto de ventilación del enchufe del extractor de la secadora.

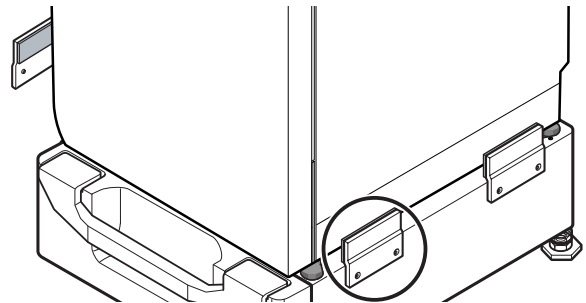
B. Desinstale la secadora de gas:

- 1) Apague el Gas
- 2) Apague el conector de Poder
- 3) Desconecte la línea de Gas de la Secadora
- 4) Jale y suelte la abrazadera de ventilación. Desconecte la ventilación.

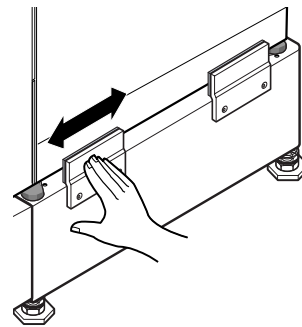


- 3 Quitar el papel del anaquel.

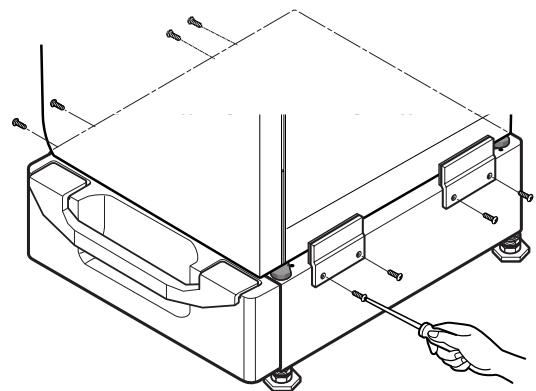
- 4 Atar la cinta de doble-cara del anaquel al secador como se muestra para que la inclinación de las partes de los anaqueles se alinien con el borde y puedan atarse al pedestal con los tornillos.
NOTA : Ate la parte más baja primero.



- 5 Asegúrese de ajustar las partes adhesivas de los anaqueles firmemente al aparato.



- 6 Instale los ocho(8) tornillos (proporcionados) para atar los anaqueles al pedestal.



- 7 Mover la secadora al lugar deseado.
NOTA : El aparato y el pedestal ensamblado deben ponerse sobre suelo sólido y nivelado para un funcionamiento apropiado. Ajuste las patas del aparato y el pedestal dando vueltas con la llave inglesa. Entonces, ajuste el seguro de la cerradura hacia el pedestal mientras sostiene la pata del pedestal usando la llave inglesa.

Las siguientes son instrucciones adicionales sobre las conexiones y requerimientos eléctricos para las secadoras eléctricas.

⚠ Advertencia Importante: Para ayudar a prevenir incendios, choque eléctrico, lesiones serias o muerte, el cableado y la conexión a tierra deben estar de acuerdo con la edición más reciente del código Eléctrico Nacional, ANSI/NFPA 70 y todas las regulaciones locales aplicables. Por favor contacte a un electricista calificado para verificar el cableado y fusibles de su casa y para asegurar que tiene la energía eléctrica adecuada para el funcionamiento de la secadora.

Chile 220V/50Hz

México 127V/60Hz

Panamá 120V, 240V/60Hz

Perú 220V/60Hz

Colombia 120V, 60Hz

Instrucciones para la Conexión a Tierra de su Secadora Eléctrica:

- a) Por favor note que el diagrama de cableado está localizado dentro del gabinete de Secado
- b) Esta secadora debe ser conectada a un metal con conexión a tierra, sistema de cableado permanente, o un conductor equipo-tierra debe correr con los conductores de circuito y estar conectado al terminal equipo-tierra o línea principal de la secadora.
- c) Si la distancia entre la caja de circuito y la secadora es de 15 pies (4.50 m) o menos, use un cable No. 10 A.W.G. (de cobre únicamente) listado por U.L. (Underwriters Laboratories), o como lo requieran los códigos locales. Si es de más de 15 pies (4.50 m), use un cable No. 8 A.W.G. (de cobre únicamente) listado por U.L. (Underwriters Laboratories) o como lo requieran los códigos locales. Deje suficiente holgura en el cableado de manera que la secadora pueda ser movida de su posición cuando sea necesario.
- d) La conexión del cordón de alimentación (cable flexible) entre el tomacorriente y la caja terminal de la secadora NO ES suministrada con la secadora. El tipo del cable flexible y el calibre del alambre deben estar conforme con los códigos locales y con las instrucciones de las páginas siguientes.

- e) El método de cableado de la secadora es opcional y sujeto a los requerimientos del código local. Refiérase a los ejemplos en la próxima página.
- f) Usted debe seleccionar el método para cablear su secadora de acuerdo a los requerimientos de los códigos locales y ordenanzas. Métodos de ejemplo están incluidos en las siguientes páginas.

⚠ ADVERTENCIA!

Etiquete todos los cables antes de desconectarlos para darle mantenimiento a la secadora, ya que errores en el cableado pueden causar lesiones serias a usted y dañar su secadora.

Revise las siguientes opciones para determinar la conexión eléctrica adecuada para su casa:



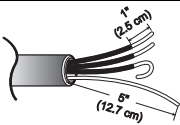
Tomacorriente de 4-alambres (Tipo NEMA 14-30R).

Utilice las instrucciones en esta sección si su casa tiene un tomacorriente de 4-alambres (Tipo NEMA 14-30R) y si usará un cordón de alimentación para secadora listado por UL, de 120/240 voltios mínimo y de 30 amp.



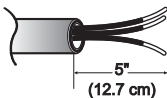
Tomacorriente de 3-alambres (Tipo NEMA 10-30R)

Utilice las instrucciones en esta sección si su casa tiene un tomacorriente de 3-alambres (Tipo NEMA 10-30R) y si usará un cordón de alimentación para secadora listado por UL, de 120/240 voltios mínimo y de 30 amp.



4-cables directos

Si este tipo está disponible en su casa, lo conectará a una caja de corto circuito o una pipa desconectada



3-cables directos

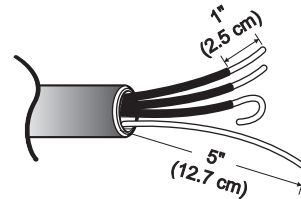
Si este tipo está disponible en su casa, lo conectará a una caja de corto circuito o una pipa desconectada

Conexión de 4-cables: Cableado directo

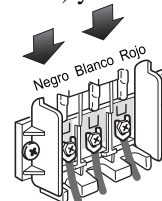
Importante : use conexiones de 4 cables en casas movibles y el áreas donde no hay conexiones de 3 cables.

Prepare un mínimo de 5 ps (1.52 m) de longitud para poder reemplazar la secadora.

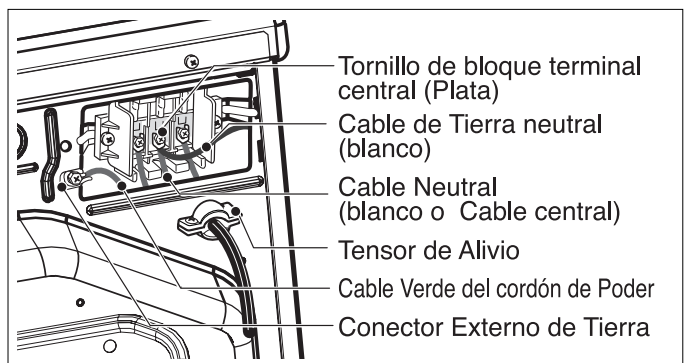
Primero, despegue 5 pulg (12.7 cm) de la cubierta del cable desde el final. Descubra 5 pulgadas del cable de tierra. Después de cortar 1 1/2 pul (3.8cm) de los otros 3 cables, aisle lo despegado. atrás 1 pul (2.5cm). haga los finales de los cables en forma de gancho.



Luego, ponga el final de esas puntas debajo del tornillo de la terminal (la parte de la punta con forma de gancho mostrandose derecho) y una el cable con el tornillo fuertemente.



1. Conecte un cable neutral (blanco) al cordón de poder para centrar la terminal del tornillo.
2. Conecte un cable rojo y otro Negro en las terminales izquierdas y derechas de los tornillos.
3. Conecte el cable de tierra(verde) del cordón de poder al tornillo de tierra externo y mueva el cable de tierra neutral fuera del aparato y conéctelo al tornillo central.
4. Asegúrese que el tornillo de alivio de tensión este apretado. Asegure que todo el bloque de tuercas esten bien apretados, y el cable eléctrico de poder este en la posición correcta.

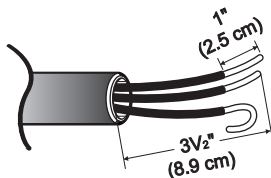


Conexión de 3-cables: Cable Directo

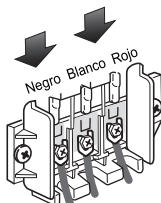
Importante : Use cable de 3 conexiones en lugares como casas móviles o áreas donde los cables de 3 conexiones no son disponibles.

Prepare un mínimo de 5 ps (1.52 m) de longitud para poder reemplazar la secadora.

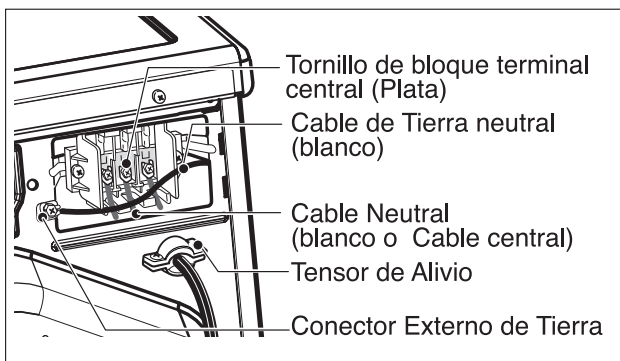
Primero, despegue 5 pulg (12.7 cm) de la cubierta del cable desde el final. Descubra 5 pulgadas del cable de tierra. Después de cortar 1 1/2 pul (3.8cm) de los otros 3 cables, aisle lo despegado. atrás 1 pul (2.5cm). haga los finales de los cables en forma de gancho.



Luego, ponga el final de esas puntas debajo del tornillo de la terminal (la parte de la punta con forma de gancho mostrandose derecho) y una el cable con el tornillo fuertemente.



1. Conecte un cable neutral (blanco) al cordón de poder para centrar la terminal del tornillo.
2. Conecte un cable rojo y otro Negro en las terminales izquierdas y derechas de los tornillos.
3. Asegúrese que el tornillo de alivio de tensión este apretado. Asegure que todo el bloque de tuercas esten bien apretados, y el cable eléctrico de poder este en la posición correcta.

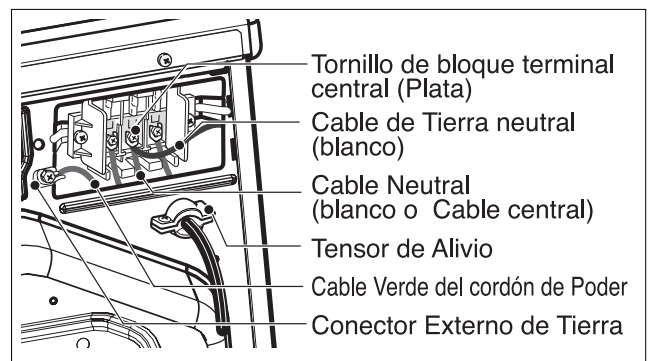
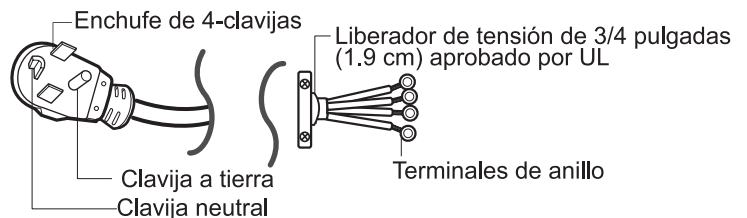
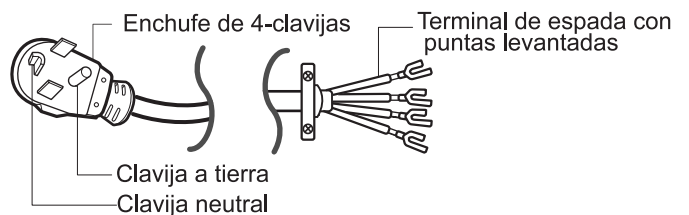


Opción 1 Conexión de 4-alambres con un Cordón de Alimentación.

- Si los códigos y ordenanzas locales no permiten el uso de una conexión de 3 alambres, o está instalando la secadora en una casa móvil, debe usar una conexión de 4-alambres.



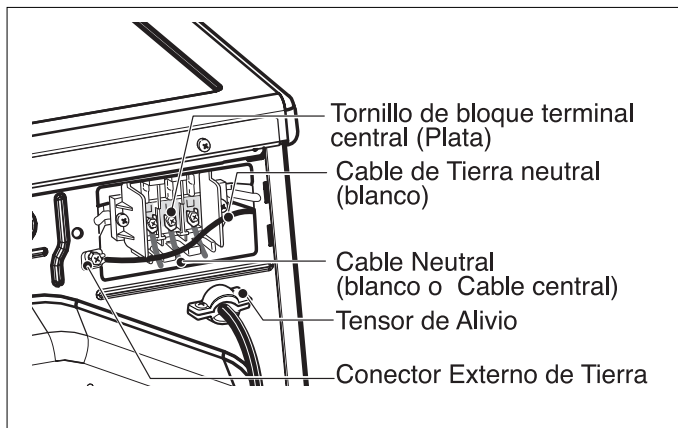
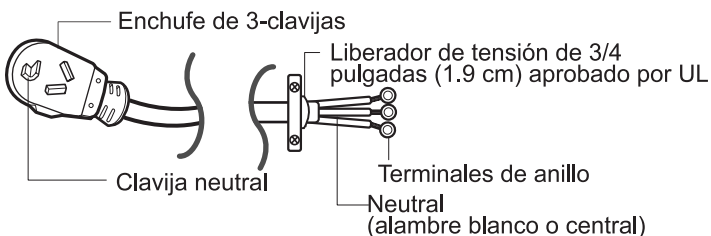
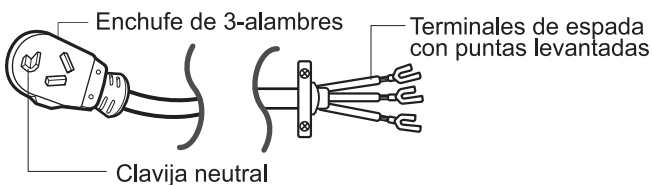
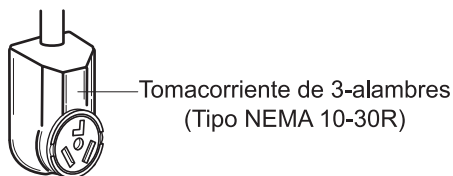
Tomacorriente de 4-alambres (Tipo NEMA14-30R)



1. Conecte un cable neutral (blanco) al cordón de poder para centrar la terminal del tornillo.
2. Conecte un cable rojo y otro Negro en las terminales izquierdas y derechas de los tornillos.
3. Conecte el cable de tierra(verde) del cordón de poder al tornillo de tierra externo y mueva el cable de tierra neutral fuera del aparato y conéctelo al tornillo central.
4. Asegúrese que el tornillo de alivio de tensión este apretado. Asegure que todo el bloque de tuercas esten bien apretados, y el cable eléctrico de poder este en la posición correcta.

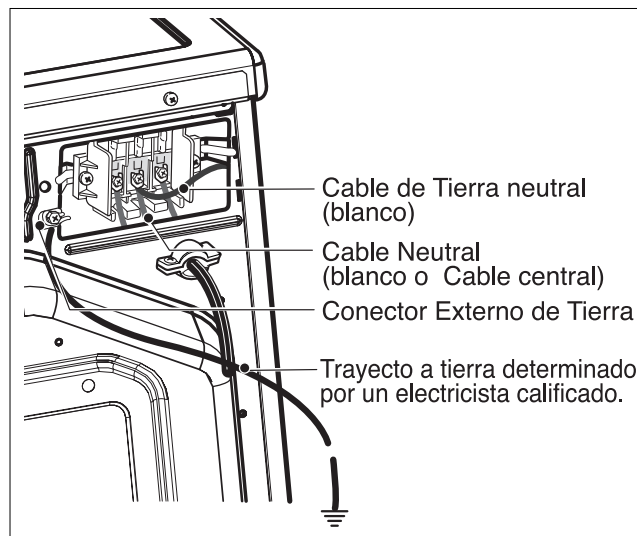
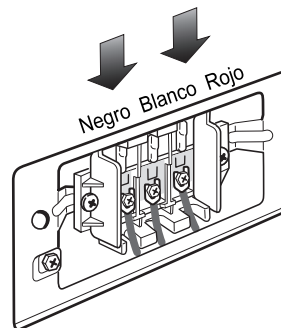
Opción 2 Conexión de 3-alambres con un Cordón de Alimentación.

Si los códigos y ordenanzas locales permiten la conexión de un conductor estructura-tierra al alambre neutral, utilice estas instrucciones. Si los códigos y ordenanzas locales no permiten la conexión de un conductor estructura-tierra al alambre neutral, utilice las instrucciones bajo la **Sección 3: Conexión opcional de 3-alambres.**



Opción 3 Conexión Opcional de 3-alambres.

• Si los códigos y ordenanzas locales no permiten la conexión de un conductor estructura-tierra a un cable neutral, utilice las instrucciones bajo esta sección.



1. Conecte un cable neutral (blanco) al cordón de poder para centrar la terminal del tornillo.
2. Conecte el cable de tierra(verde) del cordón de poder al tornillo de tierra externo y mueva el cable de tierra neutral fuera del aparato y conéctelo al tornillo central.
3. Conecte un cable rojo y otro Negro en las terminales izquierdas y derechas de los tornillos.
4. Asegúrese que el tornillo de alivio de tensión este apretado. Asegure que todo el bloque de tuercas esten bien apretados, y el cable eléctrico de poder este en la posición correcta.
5. Conecte un alambre de tierra independiente del conector de tierra externo con la tierra apropiada.

Chile 220V/50Hz
Panamá 120V, 240V/60Hz

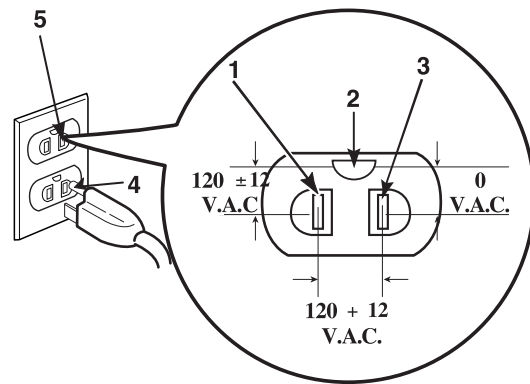
México 127V/60Hz
Perú 220V/60Hz

Las siguientes son instrucciones adicionales sobre las conexiones y requerimientos eléctricos para las secadoras a gas.

⚠ Advertencia Importante: Para ayudar a prevenir incendios, choque eléctrico, lesiones serias o muerte, el cableado y la conexión a tierra deben estar de acuerdo con la edición más reciente del código Eléctrico Nacional, ANSI/NFPA 70, o el Código Eléctrico Canadiense, CSA C22.1, y todas la regulaciones locales aplicables. Por favor contacte un electricista calificado para verificar el cableado y fusibles de su casa y asegurar que tiene la energía eléctrica adecuada para el funcionamiento de la secadora.

Requerimientos Eléctricos para su Secadora:!

- a) Por favor note que el diagrama de cableado está localizado dentro del gabinete de Secado. Etiquete todos los alambres antes de desconectarlos para el mantenimiento de la secadora, debido a que un error en el cableado puede causar lesiones serias a usted y daños a su secadora.
- b) Utilice circuitos de fusibles separados para la lavadora y la secadora, NO opere una lavadora y una secadora en el mismo circuito.



CIRCUITO ESTÁNDAR DE 120 VOLT,60 HERTZ, 3-ALAMBRES EFECTIVAMENTE CONECTADO A TIERRA.

- 1 L1
- 2 Tierra
- 3 Lado Neutral
- 4 Clavija Redondeada a Tierra
- 5 Neutral

- a) La secadora tiene un enchufe de tres clavijas para protección contra choques eléctricos. El enchufe debe ser conectado directamente a un tomacorriente para tres clavijas debidamente conectado a tierra clasificado para 120 Voltios AC (corriente alterna) 15 Amperios. Este enchufe, para que sea debidamente y completamente efectivo, debe estar enchufado en un tomacorriente debidamente instalado que esté conectado a tierra de acuerdo a todos los códigos y ordenanzas locales.
- b) La secadora debe estar conectada a tierra con el fin de reducir el riesgo de choques eléctricos, incluyendo mal funcionamiento o avería.
- c) Si su cuarto de lavado no cumple con las especificaciones requeridas por este manual, o si no está seguro de que su cuarto de lavado cumple con estas especificaciones, por favor haga que un técnico o compañía calificada, por ejemplo un electricista calificado o su compañía eléctrica local, verifique el suministro eléctrico de su cuarto de lavado y corrija cualquier problema.

⚠ ADVERTENCIA!

No sobrecargue el circuito operando otros artefactos en el mismo circuito cuando este artefacto está funcionando, utilizando una extensión eléctrica para conectar la secadora a la fuente de energía, o utilizando cualquier adaptador que permita que se conecten cordones adicionales al mismo tomacorriente.

⚠ ADVERTENCIA!

NO modifique el enchufe provisto con la secadora. Si éste no encaja en el tomacorriente de su cuarto de lavado, un tomacorriente adecuado necesitará ser instalado por un técnico o compañía calificada.

Las siguientes son instrucciones e información importante concernientes a los requerimientos para el suministro y servicio del gas para las secadoras a gas. **⚠ Advertencia Importante:** El suministro y servicio del gas para las secadoras a gas debe cumplir con los códigos y ordenanzas locales. Si no existen códigos y ordenanzas locales en su área, el suministro y servicio del gas para su secadora a gas debe cumplir con la más reciente edición del Código Nacional de Gas Combustible, ANSI Z223.1 / NFPA 54.

1. Requerimientos del suministro de gas: El servicio de Gas Petr leo Licuado (L.P.) (2,500 Btu/ft³ (93.1 MJ/m³)) debe ser suministrado a una presi n de columna de agua de 10 + 1.5 pulgadas.
2. No intente conectar la Secadora al Servicio de Gas Petr leo L quido (LP Gas) sin personal calificado.
3. A sle la secadora del sistema de tuber as del suministro de gas cerrando la v lvula individual de cierre manual, durante las pruebas de presi n del sistema de suministro de gas a la presi n de prueba igual o menor que 2/1 psi (3.45 kPa).
4. Requerimientos de la L nea de Suministro. Su cuarto de lavado debe tener una l nea r gida de suministro de gas hasta la secadora. En USA, una v lvula individual de cierre manual DEBE ser instalada a no m s de 6 pies (1.8 m) de la secadora de acuerdo con C digo Nacional de Gas Combustible ANSI Z223.1. Un conector de tuber a N.P.T. de 1/8 pulgada debe ser instalado como se muestra.
5. Si usa una tuber a r gida, deber  ser de 1/2 pulgada IPS. Si es aceptable por los c digos y ordenanzas locales as  como por su proveedor de gas, podr  usarse tuber a aprobada de 3/8 de pulgada para distancias menores de 20 pies (6.1 m). Tuber as m s grandes deber n usarse para distancias mayores de 20 pies (6.1 m). Tambi n es importante que utilice sellador de uniones que sea insoluble en gas LP
6. Para reducir el peligro de fugas de gas, explosi n, e incendio, por favor siga y cumpla con lo siguiente

⚠ ADVERTENCIA!

NO intente desmontar la secadora, esta acci n requiere la atenci n y herramientas de un t cnico o compa a autorizada y calificada.

Instrucciones y ADVERTENCIAS:

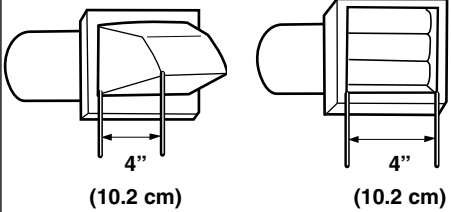
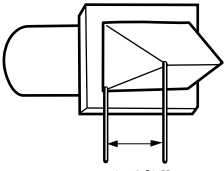
- Conecte la secadora al tipo de gas indicado en la placa de la secadora;
- Utilice conectores nuevos flexibles de acero inoxidable;
- Utilice cinta de Tefl n y sellador de uniones insoluble en gas LP en todas las roscas de las tuber as;
- Purgue el suministro de gas de aire y sedimentos antes de conectarlo a la secadora; con el prop sito de evitar contaminaci n de la v lvula de gas, antes de apretar la conexi n entre el suministro de gas y la secadora, purgue el aire que queda hasta que el olor a gas sea detectado; y
- **NO** use una flama para detectar fugas de gas; en su lugar, utilice un l quido detector de fugas no corrosivo.

⚠ ADVERTENCIA!

- Utilice una l nea nueva de suministro de gas aprobada por AGA o CSA.
- Instale una v lvula de cierre.
- Aseg rese de apretar todas las conexiones de gas
- Si est  conectado a LP, haga que un t cnico calificado se asegure que la presi n de gas no exceda la columna de agua de 13 pulgadas.
- Ejemplos de los t cnicos calificados incluyen personal con licencia sobre calefacci n personal autorizado de la compa a de gas, y personal autorizado de servicio.
- De no cumplir lo aqu  indicado puede ocasionar la muerte, explosi n o incendio.

Las siguientes son instrucciones e información importante concernientes a los requerimientos del escape para su secadora.

⚠ Advertencia Importante: Para reducir el riesgo de incendio, combustión, o acumulación de gases combustibles, NO dirija el escape de la secadora hacia un área cerrada y no ventilada, como un ático, pared, techo, sótano, chimenea, salidas de gas, o espacio oculto de un edificio. Para reducir el riesgo de incendio, NO utilice ductos de plástico o lámina delgada para el escape de la secadora.

Tipos de Campana	Número de Codos de 90°	Longitud máxima del ducto de metal rígido de 4" (10.2 cm) de diámetro	Longitud máxima del ducto de metal flexible de 4" (10.2 cm) de diámetro
<p>Recomendado</p>  <p>4" (10.2 cm)</p>	0	65 pies (19.8 m)	45 pies (13.7 m)
	1	55 pies (16.8 m)	35 pies (10.7 m)
	2	47 pies (14.3 m)	30 pies (9.1 m)
	3	36 pies (11.0 m)	25 pies (7.6 m)
	4	28 pies (8.5 m)	20 pies (6.1 m)
<p>Úsese únicamente para instalaciones de carrera corta</p>  <p>2-1/2" (6.35 cm)</p>	0	55 pies (16.8 m)	35 pies (10.7 m)
	1	47 pies (14.3 m)	27 pies (8.2 m)
	2	41 pies (12.5 m)	21 pies (6.4 m)
	3	30 pies (9.1 m)	17 pies (5.2 m)
	4	22 pies (6.7 m)	15 pies (4.5 m)

NOTA : Deduzca 6 pies (1.8 m) por cada codo adicional.

No se recomienda usar más de 4 codos de 90°.

Requerimientos e Instrucciones del Escape

- Los materiales para la ventilación no son suministrados con la secadora y usted deberá obtener los materiales necesarios localmente. Por ejemplo, el extremo exterior de la tubería de escape debe tener una campana con compuertas con bisagras para evitar corrientes de aires cuando la secadora no está en uso.
- El ducto de escape debe ser de 4 pulgadas (10.2 cm) de diámetro sin obstrucciones. El ducto de escape debe mantenerse lo más corto posible. Asegúrese de limpiar cualquier ducto viejo antes de instalar su nueva secadora.
- Se recomienda un ducto de metal rígido. No instale un ducto flexible en espacios ocultos. Un ducto de metal flexible no-combustible es aceptado. No utilice ductos de plástico o lámina delgada.
- NO use tornillos para láminas de metal en las uniones de las tuberías de escape u otros sujetadores que puedan introducirse en el ducto y que puedan atrapar pelusas y reducir la eficiencia del sistema de escape. Asegure todas las uniones con cinta para ductos.
- Para maximizar los resultados de la operación, por favor observe las limitaciones del largo del ducto según la tabla de arriba.

Mantenimiento del Escape y la Secadora

⚠ ADVERTENCIA!

Desconecte la energía eléctrica de la secadora antes de efectuar limpieza o mantenimiento.

1. Después de un año de uso, el interior y todo el sistema de escape de la secadora debe ser examinado y limpiado si es necesario.
2. Debe inspeccionar y limpiar el ducto de escape por lo menos una vez al año.
3. Verifique la campana frecuentemente para asegurarse que las compuertas se están moviendo libremente, que no hayan sido empujadas hacia adentro, y que nada haya sido recargado contra las compuertas.
4. Un técnico de servicio o compañía calificada debe ser utilizada para realizar este mantenimiento.
5. Un equipo de Ventilación Flexible, disponible a costo extra, puede utilizarse cuando el escape de la secadora esta situado en lugares difíciles de alcanzar. Este equipo viene en dos piezas, una se adjunta a la secadora y la otra a la salida del escape de la pared. Después de haber fijado las dos piezas por separado a la secadora y a la pared, la secadora puede retornar a su posición final, para luego conectar las dos piezas entre si.
7. Usualmente, el tambor de la secadora no necesita cuidado. Limpie el exterior de la secadora cuando sea necesario, y siempre inmediatamente cuando se derrame en la secadora cualquier detergente, blanqueador, u otro producto para lavar, debido que estos productos pueden causar daños permanentes al acabado exterior de la secadora.
8. Limpie el panel de control con un paño húmedo cuando sea necesario. Advertencia: los productos de pre-lavados en spray pueden dañar el acabado del panel de control.
9. Por favor limpie el filtro de pelusa antes o después de secar cada carga.
10. Siempre asegúrese que el filtro de pelusa esté limpio antes de empezar una nueva carga, debido a que un filtro de pelusa obstruido puede aumentar el tiempo de secado.
11. Anualmente remueva el filtro de pelusa y colóquelo bajo el ducto de la aspiradora. Vea el ítem #2 arriba.
12. Por favor note que el diagrama de cableado se localiza dentro de la cubierta de los controles de la secadora. Etiquete todos los cables antes de desconectarlos al darle mantenimiento a la secadora, debido a que errores en el cableado pueden causar lesiones serias a usted y daño a su secadora.

Limpieza de la Malla de Pelusa

1. Limpie el filtro de pelusa antes o después de haber secado cada carga. Siempre asegúrese que el filtro de pelusa esté limpio antes de empezar una nueva carga, debido a que un filtro de pelusa obstruido puede aumentar el tiempo de secado.
2. Para limpiarlo, tire de la malla de pelusa hacia arriba y enrolle la pelusa fuera de la malla con los dedos. No enjuague o lave la malla para remover la pelusa, debido a que la pelusa mojada es difícil de quitar. Empuje la malla de pelusa firmemente de vuelta a su lugar.
3. Siempre asegúrese que la malla de pelusa esté firmemente colocada antes de operar la secadora. Operar la secadora sin la malla de pelusa puede causar sobrecalentamiento y causar daño a la secadora como a los artículos que está secando.
4. Algunas prendas pueden vertir más pelusa que otras (toallas por ejemplo), ocasionando que el filtro atrapapelusa se llene muy rápido. Remuévalo la pelusa de la malla de pelusa antes y después de haber secados estos artículos, tales como toallas nuevas.
5. En el caso que la pelusa se caiga de la malla dentro de la secadora durante la remoción, verifique el conducto de escape y quite cualquier pelusa.
6. El detergente para lavar y los residuos del suavizante de tela se pueden acumular en la malla de pelusa, causando tiempos de secado más largos. La malla probablemente se bloqueará si cae pelusa sobre ella. Con el fin de prevenir este tipo de acumulación, y ayudar a asegurar un funcionamiento adecuado de su secadora, limpie la malla de pelusa con un cepillo de nailon cada seis meses, o si es necesario, más frecuentemente. El filtro de pelusa también puede lavarse de la siguiente manera:
 - a) Después de haber enrollado la pelusa fuera de la malla con los dedos, moje ambos lados de la malla con agua caliente o tibia.
 - b) Moje un cepillo de nailon con agua caliente y detergente líquido y restriegue la malla de pelusa para remover la acumulación de residuos de detergente y suavizante de tela.
 - c) Repita el proceso como sea necesario.
 - d) Después que los residuos hayan sido removidos, enjuague la malla con agua caliente.
 - e) Después de secar la malla de pelusa con una toalla limpia, Coloque firmemente la malla de vuelta en la secadora.

Las siguientes son las instrucciones para encender y utilizar su nueva secadora. Por favor refiérase a las secciones específicas de este manual para información más detallada. Advertencia Importante: Para reducir el riesgo de incendio, choque eléctrico, o lesiones personales lea este manual completamente, incluyendo las Instrucciones de Seguridad Importantes, antes de operar esta secadora.

TD-V10050E/TD-V10050G/TD-V10055E/TD-V10055G/TD-V12055E/ TD-V12055G/TD-V12056E/TD-V12056G/TD-V14056E/TD-V14056G



TD-V10051E/TD-V10051G



ENCENDIDO DE LA SECADORA

1. Uso de la Secadora

1. Limpie la malla de pelusa antes o después de cada ciclo.
2. Coloque la ropa dentro de la secadora y cierre la puerta. Véase Cargar.
3. Gire la perilla para seleccionar el ciclo de secado que desea. Las características predeterminadas para los ciclos de SENSOR DRY (Sensor de secado) y MANUAL DRY (Secado Manual) brillarán. El tiempo estimado o actual de cada ciclo (en minutos) se mostrará en la pantalla.



ADVERTENCIA!

Peligro de Incendio

Ninguna lavadora puede remover por completo el aceite. Nunca seque nada que haya tenido contacto con algún tipo de aceite (incluyendo aceite de cocinar). Artículos que contengan espuma, hule, o plástico deben secarse en un tendedero o utilizando un Ciclo de Aire. El no llevar a cabo estas instrucciones puede resultar en muerte o incendio.!



ADVERTENCIA!

Peligro de Explosión

Mantenga materiales y vapores inflamables como gasolina, lejos de la secadora. No seque nada que haya tenido contacto con algo inflamable (aún habiéndolo lavado). El no llevar a cabo estas instrucciones puede resultar en muerte, explosión, o incendio. MUY

2. Para Usar un Ciclo de Sensor Dry[sensor de secado]



- Seleccione un Ciclo de Sensor Dry[sensor de secado]
- Seleccione el DRY LEVEL [Nivel de Secado] para ajustar que tan seca quiere la carga. Al correr el ciclo, el control detecta sequedad de la carga y ajusta el tiempo automáticamente para el nivel seleccionado de secado.
- Seleccione las Option(Opciones) deseadas.
- Presione START/PAUSE (Inicio/Pausa).

NOTA: La selección del DRY LEVEL [Nivel de Secado] puede ser hecha solamente mientras utilice Ciclos de SENSOR DRY[sensor de secado]. Seleccionar MORE[Más] o LESS[Menos] Seco ajusta automáticamente el tiempo detectado necesitado.

3. Para Usar un Ciclo de manual dry[Secado Manual]

- Seleccione un Ciclo de manual dry.
- Presione MORE TIME[Más Tiempo] o LESS TIME[Menos Tiempo] hasta que el tiempo deseado de secado se muestre en pantalla. Presione MORE TIME[Más Tiempo] o LESS TIME[Menos Tiempo] y el tiempo en pantalla cambiará por intervalos de un minuto.

NOTA: Las características de MORE TIME[Más Tiempo] o LESS TIME[Menos Tiempo] pueden ser usadas con los ciclos de manual dry[Secado Manual], time dry[tiempo de secado y Rack Dry[Secado con Parrilla].



- Presione TEMP. CONTROL (Control Temp.) hasta que se brille el indicador temperatura deseada.
- (PASO OPCIONAL) Si lo desea, seleccione Option(Opciones) Para más detalles vea "Option(Opciones)".
- Presione START/PAUSE[Inicio/Pausa]. Asegúrese de que la puerta esté cerrada.
- Si usted no presiona START/PAUSE[Inicio/Pausa] en un lapso de 10 minutos de haber seleccionado el ciclo, la secadora se apaga automáticamente.
- Si desea terminar el ciclo de secado después de haber presionado START/PAUSE[Inicio/Pausa], presione START/PAUSE[Inicio/Pausa] nuevamente.

4. Para Detener la Secadora

Para detener su secadora en cualquier momento
Presione Start/Pause[Inicio/Pausa] o abra la puerta.

Pausar o Reiniciar

Para pausar la secadora en cualquier momento

Abra la puerta ó presione START/PAUSE[Inicio/Pausa] una vez.

Para reiniciar la secadora

Cierre la puerta. Presione START/PAUSE[Inicio/Pausa].

NOTA: El secado continuará desde donde se haya interrumpido el ciclo si cierra la puerta y presiona START/PAUSE[Inicio/Pausa] en un lapso de 10 minutos. Si el ciclo es interrumpido por mas de 10 minutos, la secadora se apagará automáticamente. Seleccione un nuevo ciclo antes de reiniciar la secadora.

5. Cargar

Cuando llene su secadora

- Determine el peso de la carga gracias al espacio que la carga necesita más que el peso de la carga en si.
- Evite sobrecargar la secadora. Siguiendo estas instrucciones puede reducir su gasto, prolongar la vida de su ropa y decreciendo la posibilidad de que no seque bien su ropa y que la arrugue.

Los siguientes son ejemplos de cargas para Secadoras de Súper Capacidad:

Heavy Work Clothes [Ropas de Uso Pesado] 4 pantalones vaqueros 4 pantalones de trabajo 4 camisas de trabajo	2 pantalones de ejercicios 2 sudaderas
Towels[Toallas] 10 toallas de baño 10 toallas de mano	14 paños para limpiar
Mixed Load[Carga Mixta] 3 sábanas (1 grande, 2 medianas) 4 fundas de almohadas 3 camisas 3 blusas	9 camisetas 9 calzoncillos 10 pañuelos

CHILD LOCK [Seguro para Niños]

Esta característica permite bloquear las selecciones para prevenir que los niños las puedan cambiar. Usted también puede usar el Seguro para Niños para prevenir cambios no intencionados de los ciclos o de las opciones durante la operación de secado. Para desactivar la característica de Seguro para Niños: Presione y sostenga los botones DRY[Secado con Parrilla] y ANTI-BACTERIAL por dos segundos. Para habilitar la función de seguro para niños. Sostenga la ranura de secado por 3 segundos. Un sólo sonido de ALARMA (BEEP) se escuchará y se mostrará CL en la pantalla. Para quitar el seguro, presione y sostenga los botones RACK DRY[Secado con Parrilla] y ANTI-BACTERIAL por 3 segundos. La luz indicadora se apagará.



6. Descripción de los Ciclos.

Seleccione el ciclo de secado que concuerde con el tipo de carga que desea secar.

(Vea la tabla de Características Preestablecidas de los Ciclos Sensor Dry[sensor de secado] y Manual

Los Ciclos de Sensor Dry[sensor de secado] le permiten ajustar el ciclo con la carga que está secando. Cada ciclo seca ciertas telas a la temperatura recomendada. Un sensor detecta la humedad en la carga y ajusta automáticamente el tiempo de secado para un secado óptimo.

Ciclo de Sensor Dry[sensor de secado]
Heavy duty

Heavy duty(carga Pesada)

Use para secar algodón, toallas, algodones fuertes (temperatura media-alta)

- **Cotton/Towels Algodón/Toallas**
Use este ciclo para obtener temperatura medio-high para secar toallas, mezclilla.
- **Normal**
Use para secar telas firmes como ropa de trabajo casual (temperatura mediana)
- **wrinkle care (Perm Press)(cuidado anti-arrugas)**
Use para planchado permanente y para prendas sintéticas (temperatura media)
- **Delicates (Delicados)**
Use para secar telas sintéticas, tejidos lavables y telas de no planchar (temperatura baja)
- **Ultra delicates (Ultra delicatos)**
Use para secar delicadamente prendas de ejercicio, encaje, etc (temperatura ultra baja)

Características Predeterminadas del Ciclo de Sensor Dry[sensor de secado]		
Tipos de Cargas del Ciclo de Sensor Dry [sensor de secado]	Temperatura	Tiempo* (Minutos)
HEAVY DUTY[PESADO] Jeans, carga pesada	High[Alto]	54
COTTON/TOWELS [ALGODÓN/TOALLAS] Toallas, pantalones de algodón	Medium High [Medio Alto]	55
NORMAL Ropa de Trabajo, pana	Medium[Medio]	41
PERM PRESS [PLANCHADO PERMANENTE] Sintéticos, planchado permanente	Low[Bajo]	36
DELICATES[DELICADOS] Ropa Interior, playeras, blusas	Low[Bajo]	32
ULTRA DELICATE Prendas de ejercicio, encaje, etc	Ultra Low [Ultra Bajo]	34

* Tiempo estimado con características de Nivel de Sensor Dry[sensor de secado] (Normal).

Ciclos Manuales

Use los Ciclos Manuales para seleccionar una cantidad específica de tiempo de secado y una temperatura de secado. Cuando un Ciclo Manual es seleccionado, la pantalla del ESTIMATED TIME REMAINING(Tiempo Restante Estimado) muestra el tiempo actual restante en su ciclo. Usted puede cambiar el tiempo actual presionando los botones MORE TIME y LESS TIME(Más Tiempo y Menos Tiempo).

- **Secado Rápido**
Use para cargas pequeñas o cargas que necesiten poco tiempo de secado.
- **Freshen up [Fresco]**
Use este ciclo para eliminar arrugas de las prendas, tales como aquellas guardadas en maletas o prendas arrugadas por haberse quedado mucho tiempo en la secadora.
- **Air dry [Aire Seco]**
Use el Modificador de Air Seco para prendas que no necesiten calor para secarse como el hule, plástico y telas sensibles al calor.

• **Time Dry [Tempo de Secado]**

Use este ciclo para secar por completo prendas que aún estén húmedas después de un Ciclo de SENSOR DRY[sensor de secado]. El TIME DRY [Tempo de Secado] es útil también para secar prendas pesadas, de telas robustas, como ropa de trabajo, Colchas.

Características Predeterminadas del Ciclo Manual		
Seco Manualmente Carga de Ciclos Tipo	TEMP.	TIEMPO FIJADO EN FABRICA* (MINUTOS)
SPEED DRY [Secado Rápido] Cargas Pequeñas	High[Alto]	25
FRESHEN UP [Fresco] Quita Arrugas	Medium High [Medio Alto]	20
AIR DRY [Aire Seco]	Aire Seco	30

7. Option [Opciones]

Puede personalizar sus ciclos seleccionando las OPTION [Opciones]

Beeper de Secado Húmedo

Cuando selecciona la opción de Alarma de Secado Húmedo, una alarma lo alertará cuando su carga esté aproximadamente al 80% seco.

Esta alarma le permitirá retirar las prendas ligeras que estén ya secas u otras prendas que quiera planchar.



Wrinkle Care [Anti-Arrugas]

Cuando selecciona la opción de Cuidado de Arrugas, la secadora periódicamente hace una vuelta hasta 3 horas después de que el ciclo haya sido completado .

Esta opción ayuda a prevenir las arrugas que se forman cuando la carga permanece en el tambor luego de que ha sido terminado el ciclo.

La opción de Cuidado de Arrugas termina luego de 3 horas cuando presiona el botón de Cuidado de Arrugas o cuando abre la puerta de la secadora.



8. Modificadores

Use los modificadores para seleccionar las temperaturas para los Ciclos manuales. Presione TEMP. CONTROL hasta que la temperatura deseada se encienda. Los Modificadores de temperatura no pueden ser usados con los Ciclos de SENSOR DRY[sensor de secado].



Cuando Use Air Dry [Aire Seco]

Utilice el Modificador de Air Seco para artículos que requieran secado sin calor, así como hule, plástico y telas sensibles al calor. Esta tabla muestra ejemplos de artículos que pueden ser secados usando el Air Seco.

Tipo de Carga	TIEMPO FIJADO EN FABRICA (MINUTOS)
Almohadas de hule espuma, sostenes y juguetes con relleno	20 - 30
Cortinas de Baño (plástico), mantelería	20 - 30
Tapetes de goma	40 - 50
Olefin, polipropileno, nailon puro	10 - 20

Si es necesario, reinicie el ciclo para completar el secado.

- Verifique que todas las cubiertas estén completamente cerradas.
- Agite y mulla las almohadas con las manos periódicamente durante el ciclo.
- Seque los artículos completamente. Las almohadas de hule espuma tardan en secar.

NOTA: Aire Seco no está disponible con el Sensor Ciclos de SENSOR DRY[sensor de secado]

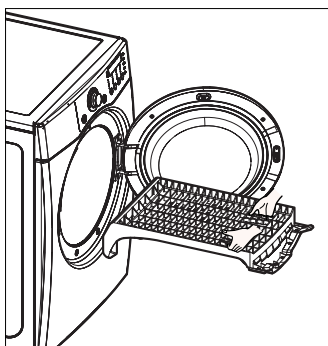
9. Rack Dry[Secado con Parrilla]

El perchero de secado viene incluido en su secadora. Retire y deseche el material envolvente antes de usarlo. Use el RACK DRY[Secado con Parrilla] para artículos que usted no quiera secar dando vueltas, así como suéteres. Cuando use el perchero de secado con calor, el aire caliente dentro de la secadora fluirá en una trayectoria concentrada que permitirá un secado uniforme y eficiente. Utilice el Tempo de Secado para determinar el tiempo de secado deseado.

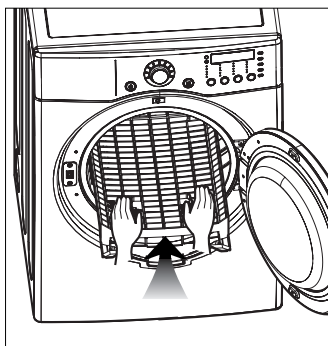
PARA USAR LA PARRILLA DE SECADO:

1. Abra la puerta

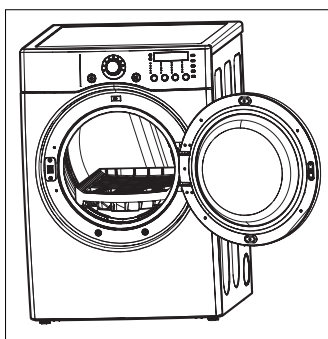
Sostenga la parrilla de secado con ambas manos



2. Inserte la parrilla de secado dentro de la tina



3. Asegúrese de que la parrilla de Secado tenga espacio puesta dentro de la tina



NOTA: Verifique la malla para pelusa y elimine cualquier pelusa acumulada de los artículos secados en el perchero.

Artículos sugeridos para secado con Parrilla	Temperatura	Tiempo Sugerido* (Minutos)
Prendas de Lana lavables	Low [Bajo]	20
Juguetes rellenos de algodón o de poliéster	Low/Ultra Low [Bajo/Ultra Bajo]	20/30
Juguetes rellenos de hule espuma	Air Dry[Aire Seco] Ultra Low[Ultra Bajo]	50/30
Almohadas de hule espuma	Air Dry [Aire Seco]	50
Zapatos atléticos	Air Dry [Aire Seco]	20

* Reinicie el tiempo lo necesario para completar el secado.

- Cuando seque prendas lavables de lana, de forma a las prendas para que queden tendidas en la parrilla de secado.
- Seleccione RACK DRY[Secado en Parrilla] y MORE TIME[Más Tiempo.] o LESS TIME[Menos Tiempo.] Si es necesario, reinicie el tiempo para completar el secado. Refiérase a la tabla anterior.
- Seleccione la temperatura deseada de acuerdo con las telas en su carga presionando TEMP. CONTROL [Control de Ttemp.] (Secado con Aire-Ultra Baja- Baja). Artículos que contengan espuma, hule, o plástico deben ser secados en el tendedero o utilizando las temperaturas del Secado con Aire. Refiérase a la siguiente tabla.
- Encienda la secadora.

11. ANTI BACTERIAL

Esta opción sólo puede ser utilizada con NORMA, HEAVY DUTY, CONNTON/TOWELS [TRABAJO HEAVY DUTY, ALGODÓN/TOALLAS], y ciclos



Esta opción reduce algunos tipos de bacterias. El proceso ANTIBACTERIAL produce altas temperaturas durante el ciclo.

NOTA: no use este ciclo en prendas delicadas.

11. CUSTOM PROGRAM(programa Personal)

Programe su combinación favorita de características y guárdelas aquí para ejecutarlo con un sólo toque.



Para guardar un PROGRAMA PERSONAL.

- 1) Seleccione el ciclo
- 2) Cambie el Dry Level [Nivel de Secado] y el CONTROL de TEMP.
- 3) Seleccione la OPTION [Opción] de su preferencia.
- 4) Presione y sostenga CUSTOM PROGRAM
Para volver a utilizar su programa personal previamente guardado presione el botón de CUSTOM PROGRAM y luego presione Start/Pause [Inicio/Pausa].

12. beeper [Alarma]

La BEEPER [Alarma] controla el volumen de la señal que se emite cuando se presiona algún botón en el panel de control y cuando la conclusión de algún ciclo es indicado. Presione BEEPER [Alarma] para ajustar el nivel del sonido o para apagar la señal.



Mantenimiento

No es muy difícil mantener cuidada su secadora.

Todo lo que tiene que hacer es seguir los siguientes pasos.

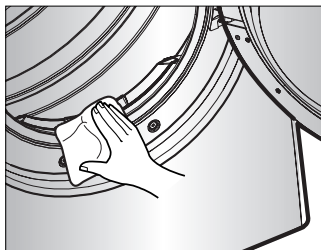
Limpie el filtro y asegúrese de tenerlo limpio antes de cualquier uso.

No limpiarlo ocasiona que el secado sea más tardado y gaste más energía

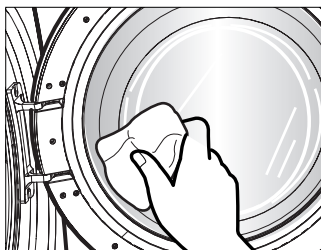
Sin seguir estas instrucciones, la vida de la secadora se acorta mucho

■ Limpiar el filtro atrapapelusa

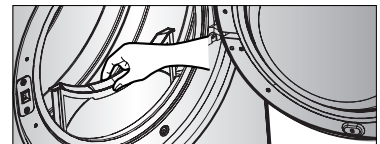
1. Limpie la apertura de la puerta. De otra manera, se genera polvo y residuos que pueden dañar la cerradura de la puerta



2. Limpie la puerta transparente para mantener una vista clara a través del vidrio.

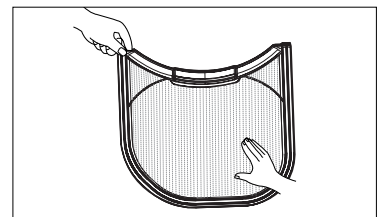


1. Abra la puerta y jale el filtro atrapapelusa

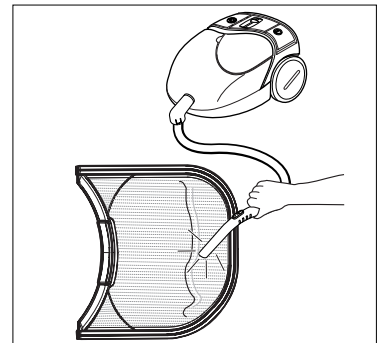


2. Limpiar el filtro usando una de las siguientes formas en los casos.

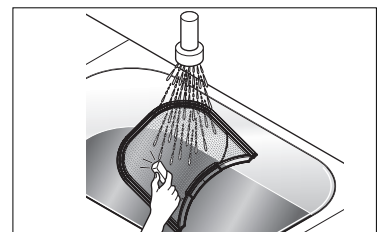
- ① Usar los dedos a través del filtro



- ② Aspire el filtro



- ③ Lave el filtro con jabón y agua caliente. Seque fuertemente y reemplace.



Consejos para la solución de problemas
 Ahorre tiempo y dinero! Primero revise las tablas en las siguientes
 páginas y quizás no necesite llamar a servicio.

1. Problema: Mi Secadora no Arranca

Pregunta	Qué Hacer
• Está la Secadora conectada?	Confirme que el enchufe de la secadora esté completamente insertado en el tomacorriente del cuarto de lavado.
• Está el fusible fundido, o el disyuntor disparado?	Verifique la caja de fusibles/disyuntores del cuarto de lavado de su casa y cambie los fusibles o reconecte los disyuntores. (IMPORTANTE: generalmente las secadoras eléctricas usan dos fusibles o disyuntores.)

2. Problema: Mi Secadora no Calienta

Pregunta	Qué Hacer
• Está el fusible fundido, o el disyuntor disparado?	Si el fusible está fundido o el disyuntor disparado, la secadora quizás de vueltas pero no calienta. Verifique la caja de fusibles/disyuntores del cuarto de lavado de su casa y cambie los fusibles o reconecte los disyuntores. (IMPORTANTE: generalmente las secadoras eléctricas usan dos fusibles o disyuntores.)
• Está el suministro o servicio de gas bloqueado o apagado?	Confirme que las válvulas de apagado de gas de la casa y de la secadora estén completamente abiertas

3. Problema: Hay Manchas de Grasa en la Ropa

Pregunta	Qué Hacer
• Siguió usted las instrucciones del empaque del suavizante de telas?	Confirme y siga las instrucciones provistas con el suavizante de telas.
• Está usted secando ropa limpia y ropa sucia juntas?	Asegúrese de usar su secadora para secar prendas limpias solamente, debido a que prendas sucias pueden manchar la ropa limpia que están en la misma carga o colocadas posteriormente en el tambor de lavado.
• Estaban sus prendas completamente limpias?	Las manchas en la ropa seca son manchas que no fueron eliminadas durante el proceso de lavado. Por favor revise y confirme que se están siguiendo las instrucciones de lavado y que la ropa está quedando completamente limpia.

4.Problema : Hay Pelusa en la Ropa

Pregunta	Qué Hacer
• Está el filtro de pelusa lleno?	Por favor refiérase a la sección del manual sobre la limpieza del filtro de pelusa, y confirme que filtro de pelusa esté limpio. Es importante que el filtro de pelusa esté limpio antes de una nueva carga.
• Clasificó adecuadamente la carga de ropa?	Para reducir la cantidad de pelusa en una carga de ropa, clasifique los productores de pelusas (como toalla vellosa blanca de algodón) separadamente de las ropas que puedan coger pelusas (como pantalones negros de lino).
• Tiene la ropa exceso de electricidad estática?	Vea los siguientes comentarios bajo: Hay estática en mi ropa después del secado.
• Sobrecargó su secadora?	Divida las cargas grandes en cargas pequeñas.
• Colocó algún papel, servilleta u otro material similar en la carga?	Algunas veces se olvida retirar de los bolsillos del pantalón un pedazo de papel o servilleta, y este papel, servilleta o material similar puede causar exceso de pelusa en una carga. Confirme que los bolsillos de los pantalones, camisas y de otros artículos estén vacíos antes del lavado y secado.

5.Problema: Ocurre Estática en la Ropa después del Secado

Pregunta	Qué Hacer
• Utiliza suavizante de tela?	Trate usando un suavizante de telas para reducir la electricidad estática.
• Secó en exceso la carga?	El secado en exceso de la carga puede causar una acumulación de electricidad estática. Trate usando un suavizante de telas o ajuste las características y utilice un tiempo de secado más corto.
• Está secando telas sintéticas, planchado permanente y mezclas?	Estos materiales pueden causar acumulación de estática en una carga de ropa seca. Trate usando un suavizante de telas.

6.Problema: El Tiempo de Secado no es Consistente

Pregunta	Qué Hacer
• Está usando calor consistente y tamaños de cargas consistentes?	El tiempo de secado para una carga varía dependiendo de las características del calor, tipo de calor usado (eléctrico, gas natural o LP), el tamaño de la carga, el tipo de tela, la humedad de las prendas, y la condición de los ductos de escape y filtro de pelusa.

7. Problema: Las Prendas Toman Mucho Tiempo en Secarse

Pregunta	Qué Hacer
• Clasificó sus cargas de ropa adecuadamente?	Separe los artículos pesados de los livianos cuando clasifique las cargas.
• Está secando cargas grandes de ropa pesada?	La ropa pesada tarda más tiempo en secarse porque tienden a retener más humedad. Para ayudar a reducir y mantener tiempos de secado más consistentes para telas grandes y pesadas, separe estos artículos en cargas más pequeñas de un tamaño consistente.
• Están los controles de secado ajustados correctamente ?	Use el ajuste de control adecuado para el tipo de carga que está secando.
• Está el filtro de pelusa limpio antes de cada carga nueva?	Por favor confirme que el filtro de pelusa esté limpio antes de cada carga nueva.
• Están los ductos de escape limpios y debidamente configurados?	Confirme revisando las secciones apropiadas de este manual que la instalación del escape esté debidamente configurada. Confirme que la ventilación esté libre de obstrucciones. Confirme que las compuertas de la pared exterior se mueven libremente, que las compuertas no estén siendo empujadas hacia adentro, y que nada se esté recargado contra las compuertas.
• Está el fusible fundido, o el disyuntor disparado?	Verifique la caja de fusibles/disyuntores del cuarto de lavado de su casa y cambie los fusibles o reconecte los disyuntores. (IMPORTANTE: generalmente las secadoras eléctricas usan dos fusibles o disyuntores.)
• Sobrecargó su secadora?	Divida sus cargas grandes en cargas más pequeñas.
• Muy poca carga en su secadora?	Si sólo está secando pocos artículos, añada unas cuenta piezas más para ayudar a una adecuada acción giratoria.

8. Problema: Las Prendas están Arrugadas

Pregunta	Qué Hacer
• Está secando demasiado su ropa?	El secar demasiado una carga puede conducir a que se arrugue la ropa. Trate con un tiempo de secado más corto, y remueva las prendas cuando aún tengan algo de humedad.
• Está usted removiendo su ropa de la secadora inmediatamente después que el ciclo de secado es completado?	Remueva su ropa de la secadora después de finalizado el ciclo de secado y cuelgue o doble las prendas.

9. Problema: Las Prendas se Encogen

Pregunta	Qué Hacer
• Está usted siguiendo las instrucciones sobre el cuidado de sus prendas.	Para evitar encogimiento, por favor siga cuidadosamente las instrucciones sobre cuidado y uso de sus prendas, debido a que algunas telas se encogen naturalmente cuando se lavan. Otras telas pueden ser lavadas pero se encogen cuando son secadas en secadoras.

