

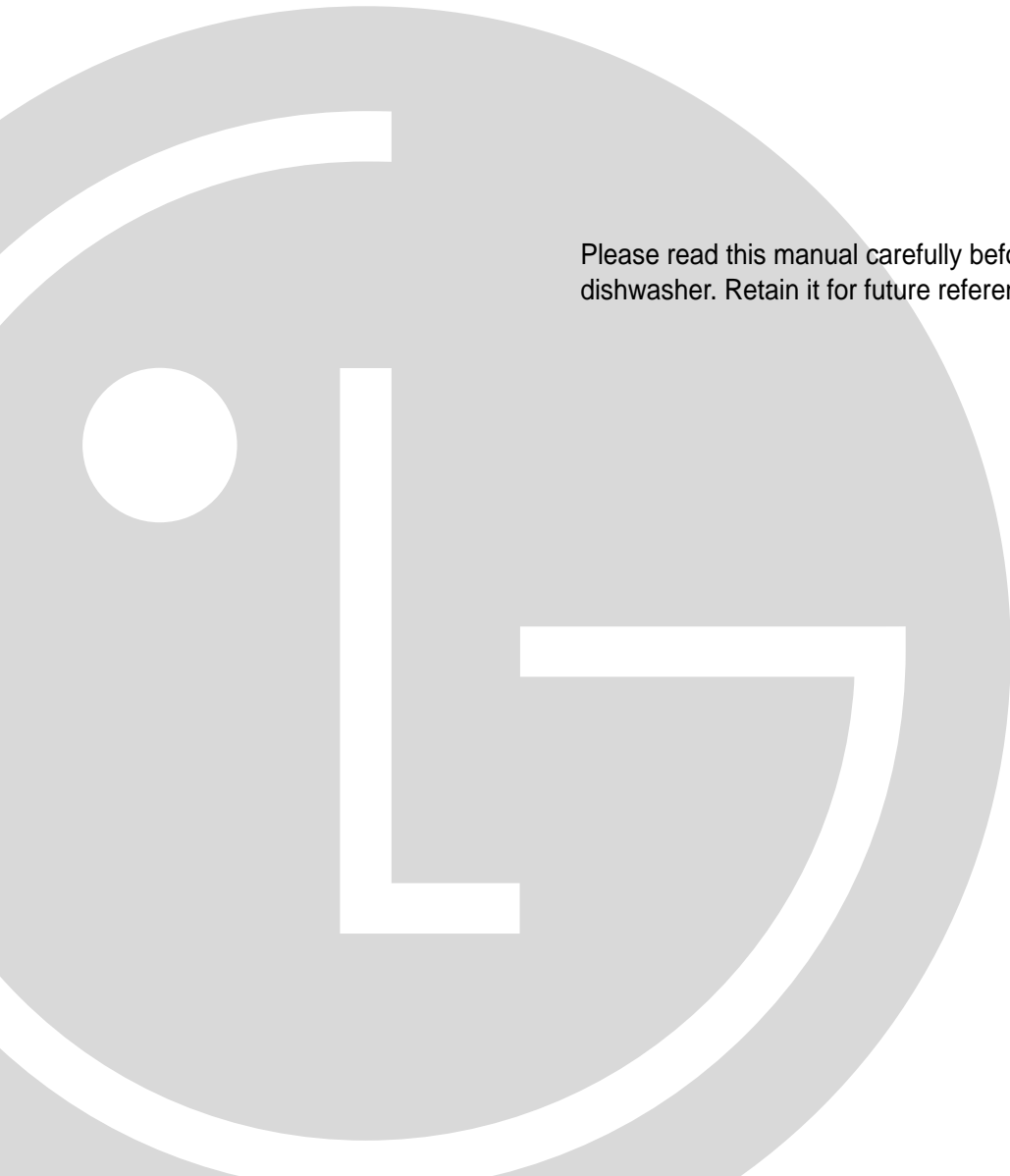


DISHWASHER

OWNER'S MANUAL

MODEL : LD-1204W1 / LD-1204M1

Please read this manual carefully before operating your dishwasher. Retain it for future reference.





CONTENTS

Dishwasher

SAFETY AND CAUTION	3
INSTALLATION INSTRUCTION	5
PARTS NAME	9
FUNCTION OF CONTROL BUTTON	10
HOW TO USE AND OPERATE	11
WASH OPTIONS	16
PROGRAMS	17
CHECK AND CARE	18
TROUBLE SHOOTING GUIDE	19
SPECIFICATIONS	



SAFETY AND CAUTION

IMPORTANT SAFETY INSTRUCTIONS

CAUTION

Child Safety : Keep children away from the dishwasher when the intensive wash cycle is running, as prolonged exposure to the steam vent may cause injury.

Dishwasher detergents are strongly alkaline. They can be extremely dangerous if swallowed. Avoid contact with skin and eyes and keep children away from the dishwasher when the door is open. Keep children away from detergents and rinse-aids. Controls may be locked using "Child Lock" mode to prevent from all the setting from being changed by a child. Do not allow children to operate the dishwasher.

Young children should be supervised to ensure that they do not play with the appliance.

- Please read this manual carefully before using the dishwasher for the first time.
- This manual contains very important notes regarding the installation, use and maintenance of your dishwasher.
- The manufacturer can not be responsible for problems caused by ignoring these safety and caution instructions.
- This dishwasher is designed for normal domestic household use.
- Do not use the dishwasher for industrial and commercial use, or other purpose.
- The appliance is not intended for use by young children or infirm persons without supervision.

During installation

- Electrical connection must be in accordance with the rating label.
- Electrical safety is only guaranteed when the earth system of your house is in accordance with the related local regulations. (Do not use an extension cable or cord.)
- If the hot water exceeds 65°C, adjust the water heater setting. If the hot water temperature can not be maintained below 65°C, the dishwasher must be connected to cold water.
- If power supply cord is damaged, it must only be replaced by the manufacturer or its service agent or a similar qualified person in order to avoid a hazard.
- This appliance must be positioned so that the plug is accessible.
- The appliance is to be connected to the water mains using new hose-sets and that old hose-sets should not be reused.

During use

- Only suitable household utensils should be

placed in the dishwasher.

(Please avoid utensils; that are non-heatresistant, metal decorated, etc.)

- Do not use any kinds of solvent in your dishwasher. They may cause an explosion or fire.
- Do not spray water on the appliance. It may cause the failure of electric parts or electric shock.
- Do not push down or sit on the inner door when the door opened. It may cause the deformation or failure of your dishwasher.
- Do not use hand washing or conventional dishwashing liquid as it will cause a malfunction and possible flooding. Only detergent formulated for Dishwashers must be used.
- This appliance is fitted with a safety function that automatically stops the operation of the dishwasher when it is exposed to heavy disturbance on its mains.
- Do not insert anything such as coin into the vapor vent. It may cause noise, and the failure of mechanical parts.
- Do not expose skin to vapor vent. During operation, as hot steam may scald.
- Dishwasher detergents are strongly alkaline. They can be extremely dangerous if swallowed. Avoid contact with skin and eyes and keep children away from the dishwasher when the door is open. Check that the detergent receptacle is empty after completion of the wash cycle.
- Some pre-treatment sprays or liquids can damage your dishwasher's control panel and plastic components, so do not use these products on or around your dishwasher.



SAFETY AND CAUTION

Child Safety

- Controls may be locked using “Child Lock” mode to prevent from all the setting from being changed by a child. Please refer to the Child Lock instructions for correct operation.
- Keep children away from detergents and rinse-aids.
- Do not allow children to operate the dishwasher.
- Young children should be supervised to ensure that they do not play with the appliance.

CAUTION concerning the Power Cord

Most appliances recommend they be placed upon a dedicated circuit; that is, a single outlet circuit which powers only that appliance and has no additional outlets or branch circuits. Check the specification page of this owner's manual to be certain.

Do not overload wall outlets. Overloaded wall outlets, loose or damaged wall outlets, extension cords, frayed power cords, or damaged or cracked wire insulation are dangerous. Any of these conditions could result in electric shock or fire. Periodically examine the cord of your appliance, and if its appearance indicates damage or deterioration, unplug it, discontinue use of the appliance, and have the cord replaced with an exact replacement part by an authorized servicer.

Protect the power cord from physical or mechanical abuse, such as being twisted, kinked, pinched, closed in a door, or walked upon. Pay particular attention to plugs, wall outlets, and the point where the cord exits the appliance.

SAVE THESE INSTRUCTIONS

GROUNDING INSTRUCTIONS

This appliance must be grounded. In the event of a malfunction or breakdown, grounding will reduce the risk of electric shock by providing a path of least resistance for electric current. This appliance is equipped with a cord having an equipment-grounding conductor and a grounding plug. The plug must be plugged into an appropriate outlet that is installed and grounded in accordance with all local codes and ordinances.

WARNING - Improper connection of the equipment-grounding conductor can result in a risk of electric shock. Check with a qualified electrician or service representative if you are in doubt whether the appliance is properly grounded. Do not modify the plug provided with the appliance; if it will not fit the outlet have a proper outlet installed by a qualified electrician.



INSTALLATION INSTRUCTION

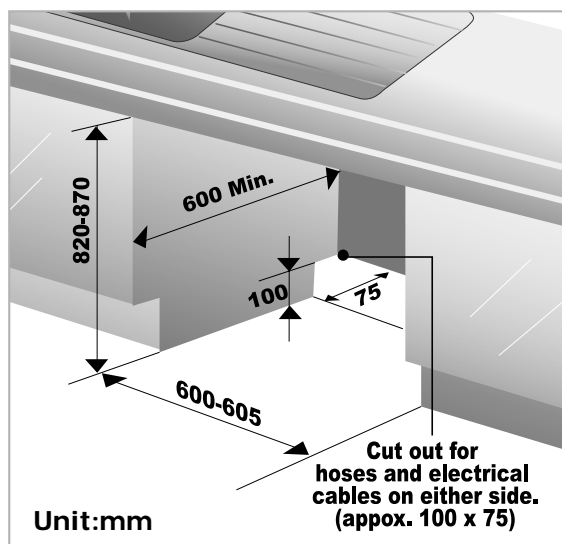
⚠ WARNING

Any electrical work required to install this appliance should be carried out by a qualified electrician or competent person. Any plumbing work required to install this appliance should be carried out by a qualified plumber or competent person.

Step 1 : PREPARE CUPBOARD OPENING

- 1** This dishwasher is designed to fit to the size shown as below.
- 2** Select a location as close to sink as possible for easy connections to water and drain lines.

The dishwasher should not be installed
- 3** more than 3 meters from sink for proper drainage.
- 4** If dishwasher is to be installed in a corner, a minimum 5cm of space is required between the washer and an adjacent cabinet or a wall.



If bare chipboard is adjacent to or above the dishwasher, it should be sealed with a waterproofing paint or sealant to prevent swelling due to steam.

Step 2 : PREPARE ELECTRICAL WIRING

CAUTION

For personal safety, remove house fuse or open circuit breaker before installation. Do not use an extension cord or adapter plug with this appliance. Electrical and grounding connections must comply with the national electrical code/provincial and municipal code and/or other local codes.

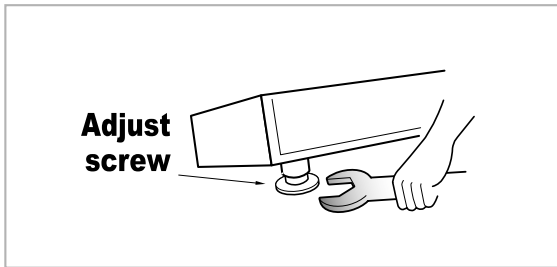
- 1** This appliance must be supplied with correct rating voltage and hertz as shown on instruction manual, and connected to an individual, properly grounded branch circuit, protected by minimum 15 amp circuit breaker or time delay fuse. Wiring must be 2 wires with ground.
- 2** The power plug must be in a accessible location adjacent to and not behind the dishwasher and within 1.2 meters of the dishwasher side.(See page 7 Fig.A)
- 3** The power plug must be correctly earthed, if in doubt, have it checked by a qualified Electrician. No other appliance should be connected to the same plug outlet by a double adapter or similar plug.



INSTALLATION INSTRUCTION

Step 3 : PREPARE DISHWASHER FOR INSTALLATION

- 1 Lay the dishwasher on its back.
- 2 Adjust the legs to the needed height of cabinet as shown in below figure.

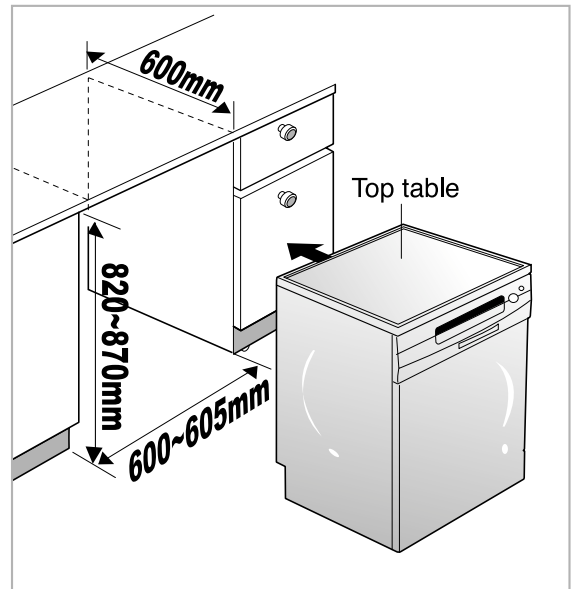


Step 4 : INSTALL THE DISHWASHER IN CUPBOARD

- 1 Before sliding the dishwasher into the cupboard opening, all necessary final height adjustment and balancing adjustment should be done using the spanner.
- 2 Slide the dishwasher into the cabinet opening carefully. Make sure that the drain hose inside the cabinet is not kinked or stretched.

CAUTION

If the height of cupboard is below 850mm, you should remove the top table by unscrewing the 2 screws. (Two of rear)





INSTALLATION INSTRUCTION

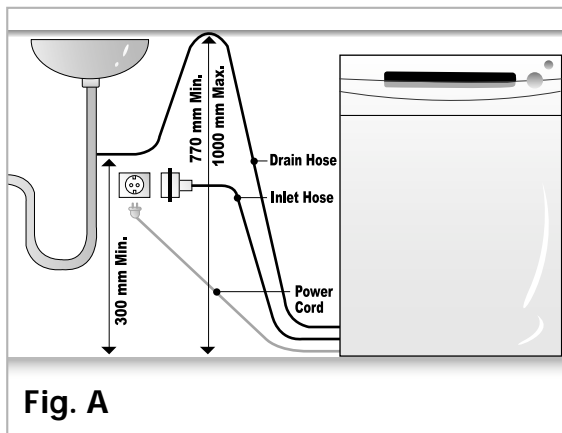
Step 5 : DRAIN LINE CONNECTION

- 1 If the end of drain hose does not fit to the drain line, use a piece of rubber connector(not supplied) that must be resistant to heat and detergent and may be obtained from a plumbing shop.
- 2 There are 2 typical connections as shown in Figure A, B.

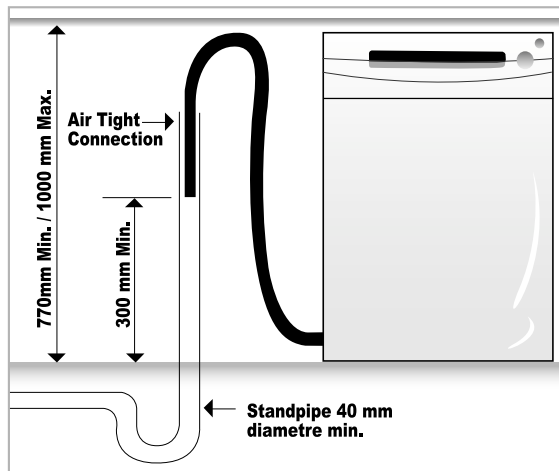
The “S” trap spigot must be drilled out cleanly and free of obstruction to its maximum internal diameter, if used for drainage.

To prevent siphoning, one of the following instruction methods must be followed:

- When the drain hose is connected to a sink “s” trap or waste disposal unit, the hose must be looped up to the underside of the bench top and secured.

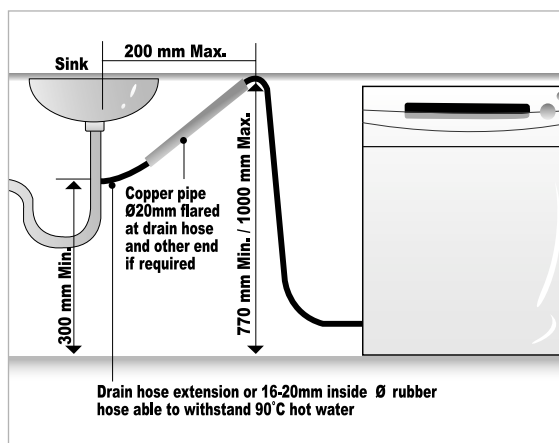


- When the drain hose is connected to a separate stand pipe, it is essential that an air tight connection is made. Refer to Fig.B



Drain Hose Extension

Extend Drain Hose as shown below.



CAUTION

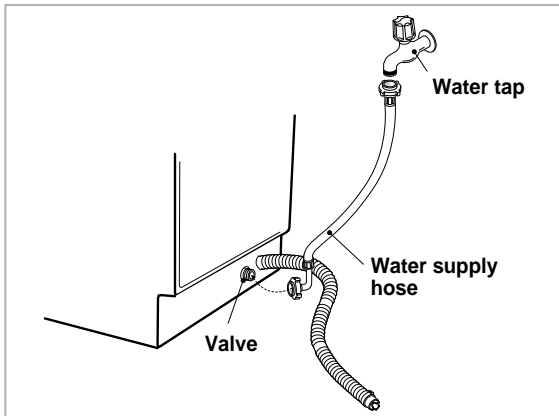
When you connect or extend Drain Hose, make sure that drain hose is not kinked. (Bends should have 40 mm radius.)



INSTALLATION INSTRUCTION

Step 6 : WATER SUPPLY CONNECTION

- 1 Connect the water supply hose to the valve behind dishwasher and the water tap as shown in the figure below.
This dishwasher may be fed with either hot or cold water. If the water can not be maintained below 65°C, the dishwasher must be connected to cold water.
- 2 When connecting, the sealing tape or sealing compound should be used to avoid water leaks. Make sure that the line is not kinked or sharply bent.



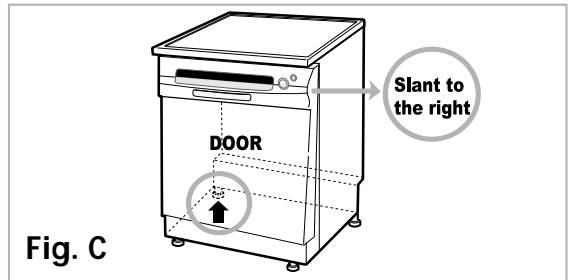
Step 7 : FINAL CHECK AND ASSEMBLING

- 1 Securely hand tighten supply hose to water supply.
Plug power supply cord into an earthed the power plug and switch on.
- 2 After installing the product, operate the dishwasher through one cycle (Quick cycle is recommended) without loading the dishes. Through this, you can check for water leak and operating conditions. When you operate the product the first time, normal air purging noises may be heard. If the noises remain during the wash, turn the unit off and start a wash cycle once again.

Step 8 : HOW TO LEVEL THE PRODUCT

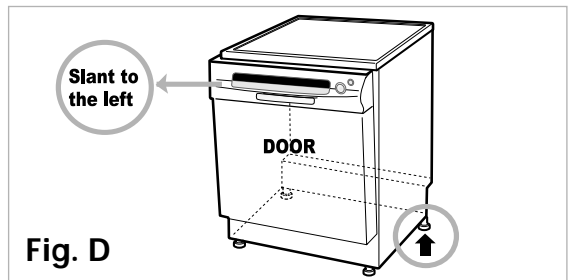
After installing the product, check the ease of door opening. If it feels tight, is touching the side of the tub or cabinet, or is difficult to open, it may be because leveling is required.

Case 1. In case the door is slanted to the right



- Fig. C**
- If the door is slanted to the right as shown in figure C, repeat the procedure shown as below until the door is operated normally.
 - 1) Unscrew(counter-clockwise) the left leg of back side to raise that corner.
 - 2) Check the door opening function after each adjustment.
 - Once adjusted correctly, there should be no friction noises or resistance when opening the door.

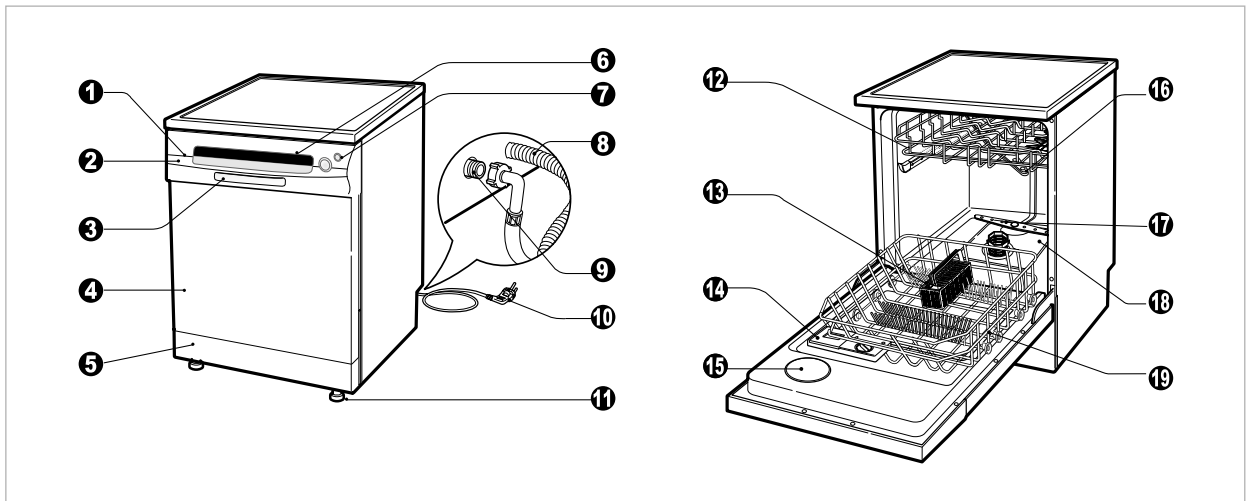
Case 2. In case the door is slanted to the left



- Fig. D**
- If the door is slanted to the left as shown in figure D, repeat the procedure shown as below until the door is operated normally.
 - 1) Unscrew(counter-clockwise) the right leg of back side to raise that corner.
 - 2) Check the door opening function after each adjustment.
 - Once adjusted correctly, there should be no friction noises or resistance when opening the door.



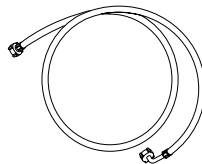
PARTS NAME



1. Vapor vent
2. Control Panel
3. Door Handle
4. Front Cover
5. Lower Cover
6. Process Monitor
7. Power Switch
8. Drain Hose
9. Inlet valve ASM
10. Power Cord

11. Adjustable Leg
12. Upper Rack
13. Cutlery Rack
14. Detergent & Rinse Aid Dispenser
15. Vapor Vent Cover
16. Upper Spray Arm
17. Lower Spray Arm
18. Filter ASM
19. Lower Rack

Accessories



Inlet Hose

※ The appearance and specifications may be varied without notice according to localities.



FUNCTION OF CONTROL BUTTON

DELAY START BUTTON

- If you want to delay the start of selected program, press this button before pressing start button.
- Each press of this button will increase the start time by one hour increments.
- The delay start time can be adjusted from 1 hour to 19 hours.

REMAINING TIME

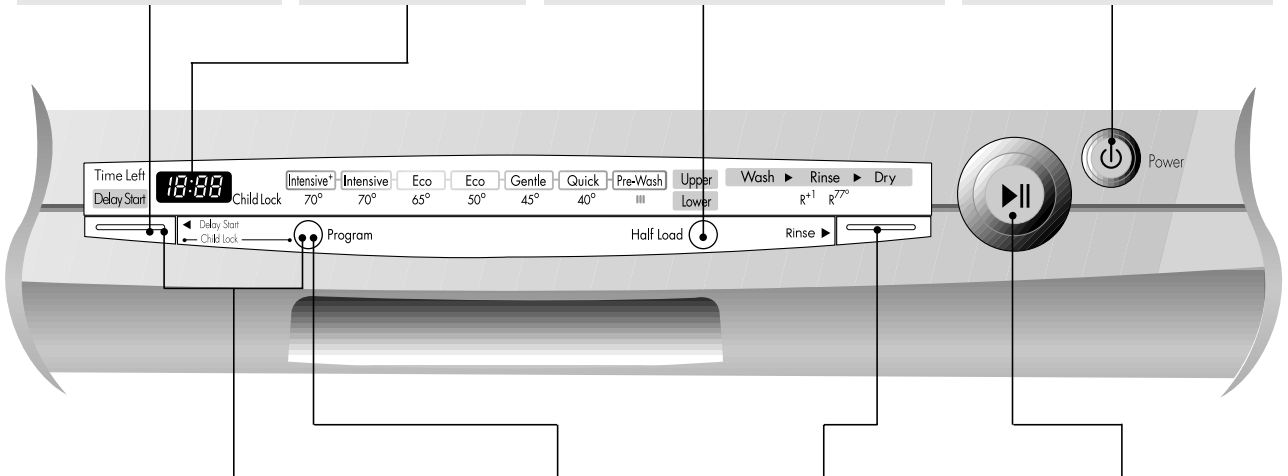
- Indication of remaining time
- Self diagnosis and error message display

HALF LOAD

- In case of a small wash load, Energy can be saved by washing either the upper or lower rack. This function does not alter the water consumption.
- With each press, Upper or Lower rack can be selected.
- In case you don't press this button, the machine will always operate in the Vario washing mode, which operates the upper and lower spray arms alternatively.

POWER SWITCH BUTTON

- Used to turn the machine on for operation.
- After the unit is powered on, if no button is pressed within 3 minutes, the machine will turn off for safety and energy saving.
- If case of a power surge to the machine, the power may be automatically turned off for safety.



CHILD LOCK

- Used to lock or unlock the control buttons to prevent the settings from being changed or interrupted.
- The Child Lock function can only be activated after the cycle has commenced. It cannot be activated whilst in the power off or stand by mode, or in a paused mode.
- For locking/unlocking, press Delay Start and Program button simultaneously.

PROGRAM

- When power is on, program is automatically set to Eco 65°C.
- If you want to change the program, press this button to set the desired program.

RINSE/SANI

- With each press, rinse+, rinse+ & 77°C sani rinse, 77°C sani rinse is repeated.
- Rinse 77°C cannot be selected on the Quick, Pre-Wash, or Gentle 45°C cycles.

START/PAUSE BUTTON

- With each press, Start and Pause is repeated during operation.
- If the machine remains in Pause mode for 5 minutes, the power is automatically turned off.



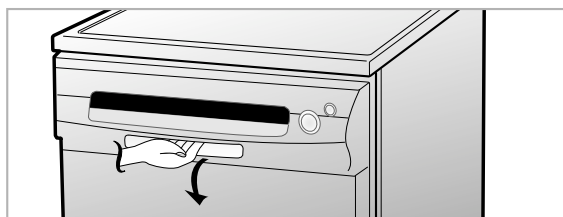
HOW TO USE AND OPERATE

1. Loading your Dishwasher

For the best washing performance, it is important that the dishwasher is loaded according to instructions. Before loading items into the dishwasher, you must scrape off large particles in particular non soluble items such as bones, toothpicks, pips, etc.

When loading the dishwasher, observe the following general guidelines:

- Position crockery such that water will contact all surfaces.
- Deep based items should be placed at an angle to help water run off and dry properly.
- Items with burnt on scraps should be soaked prior to loading in the dishwasher.



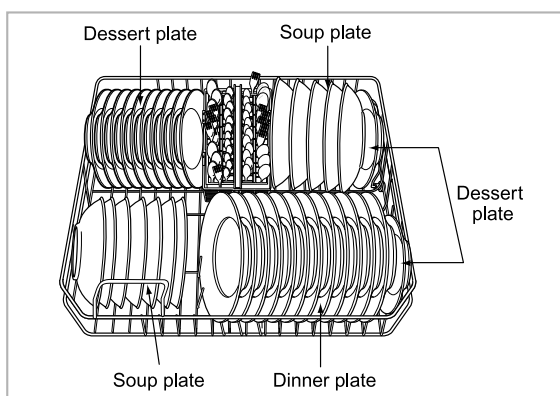
2. Loading the Lower Rack

The lower basket is best loaded with dinner plates, soup bowls, dishes, pots, pans, lids and even the grill tray.

Plates should be positioned upright and facing the center of the rack.

Pots, pans and large dishes must be turned upside down.

Take care not to obstruct the rotation of the spray arms.



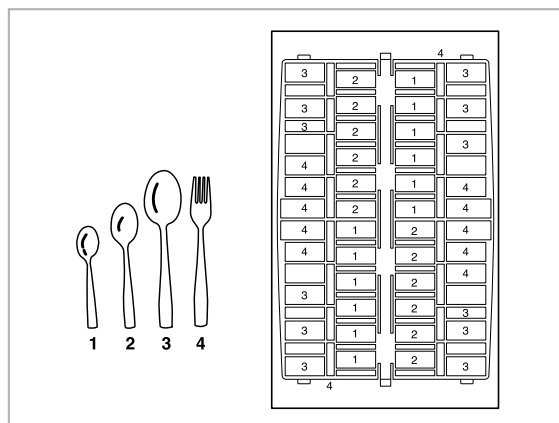
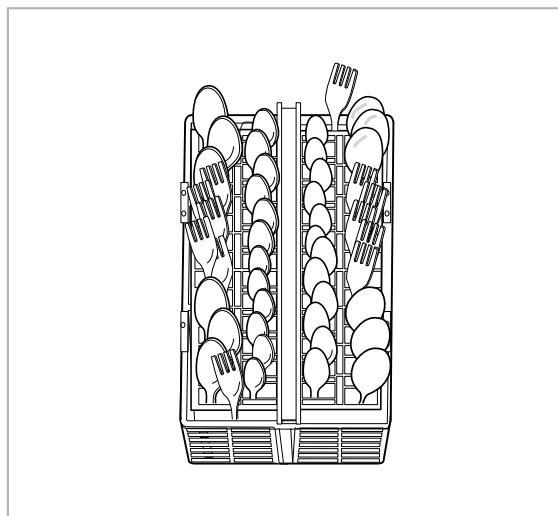
Be careful when stacking large items as they may obstruct the detergent dispenser and prevent it from opening.

3. Using the Cutlery Basket

Cutlery should be mixed within each section of the cutlery basket to prevent nesting of similar items. Place the cutlery in the cover with the handles down. The cover can be hinged and clipped away from the basket if you choose not to use them.

For the knives, place at separate rack for knives located at upper rack.

Take care when loading and unloading sharp items.





HOW TO USE AND OPERATE

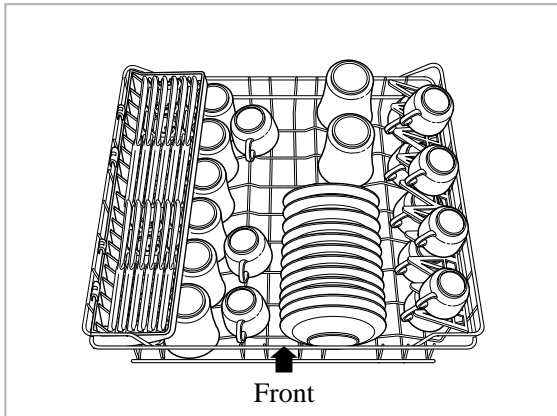
4. Loading the Upper Rack

The upper rack is best loaded with more delicate items, small plates, long cutlery, cups, glasses and dishwasher safe plastic items. Plates should be positioned upwards with the plate bottom facing the front of the rack.

Cups, glasses and bowls must be positioned upside down.

Extra cups or cooking utensils can be laid on the fold down cup racks which may also provide support for long stem glasses.

Take care not to obstruct the rotation of the spray arm under the upper rack.



Non Dishwasher Safe Items

The combination of high water temperatures and dishwasher detergent may damage particular items, therefore we do not recommend using the dishwasher to wash the following:

- Copper or anodized aluminum
- Hand painted silver or gold leaf crockery
- Wood or bone handled utensils
- Iron or non rust proof utensils
- Plastic items which are not dishwasher safe.

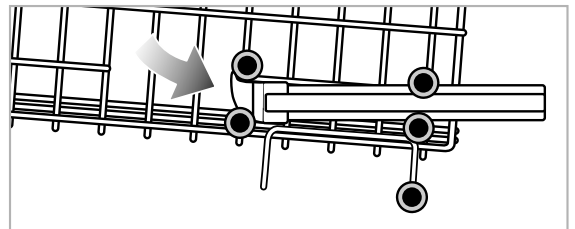
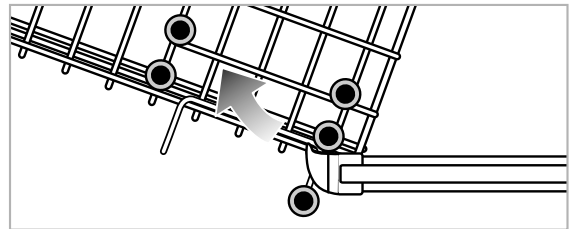
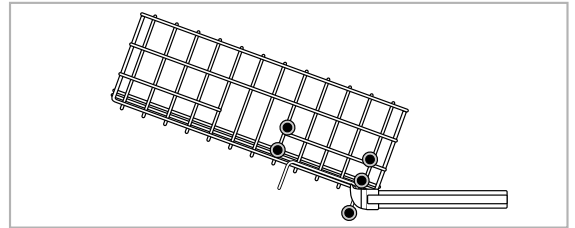
5. Adjusting the Upper Rack

Your upper rack can be raised or lowered to cater for different size of crockery. Before adjusting, ensure rack is empty of all crockery and slide the rack out.

Reinsert the rack in the chosen position.

Fitting the rack back into the standard position reduces the space between the upper and lower rack.

After adjusting, check that the spray arm is free to rotate.



⚠ WARNING

Before adjusting, ensure rack is empty of all crockery. Otherwise crockery may be damaged or you may be injured.



HOW TO USE AND OPERATE

6. Adding Detergent Dispenser

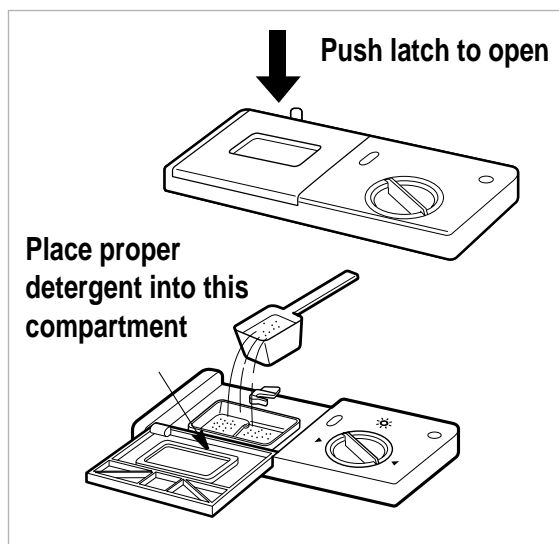
- Detergent must be put into the detergent chamber before starting every program except the Pre-Wash.
- Please follow the manufacturer's instructions printed on the manual when determining the correct dosage.
- If your dishes are only moderately dirty, you may be able to use less detergent than recommended.
- Chambers hold 15g and 25g.
- The amount of detergent depends on the program. Refer to the guide table.

PROGRAM	AMOUNT OF DETERGENT
Intensive ⁺	25g
Intensive	25g
Eco 65°	20g
Eco 50°	15g
Gentle	10g
Quick	10g
Pre-Wash	No detergent

- After the detergent is added, the chamber lid should be closed.
- The detergent is dispensed automatically during the operation.
- The chamber lid will remain open after operation.

Detergent Information

Use only the detergent intended for household dishwashers. (Ordinary hand-washing detergent should not be used, because the foam can interfere with proper operation and cause flooding.)



WARNING

The detergent used is a special Dishwasher detergent and like all household chemicals should be treated as a poison and kept out of reach of children. At completion of each wash program, the detergent compartment should be checked and any remaining detergent removed.



HOW TO USE AND OPERATE

7. Adding Rinse Aid Dispenser

To fill the Rinse Aid chamber, rotate the round cap counter clockwise and remove. Fill the container to the maximum level with a good quality Rinse Aid, then replace and lock the cap.

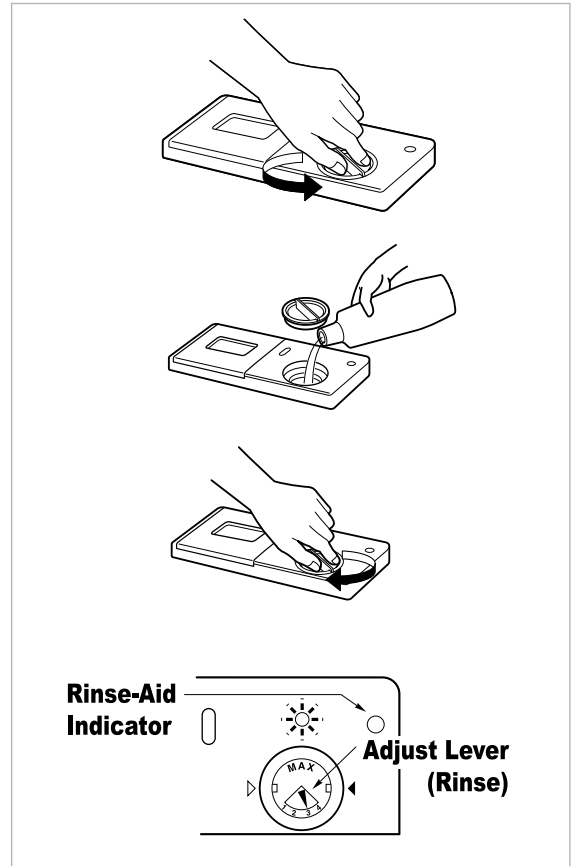
The Rinse Aid is automatically dispensed during the final rinse cycle.

Depending on the dosage setting and the number of washes, the chamber may need only to be topped up once per month. The rinse aid level can be checked by looking at the indicator window when the dishwasher door is fully open.

● **Black indicates sufficient Rinse Aid**

○ **Clear indicates Rinse Aid required**

The dosage setting is factory set to suit most installations. If, after washing, you notice cloudy spots, streaks or water marks on your glassware, it may be necessary increase the setting. To do so, remove the cap and rotate the indicator arrow to a higher setting then replace the cap. If the glasses are smeared or there is foam present on the bottom of the glass or the bottom of the machine. Select a lower setting.



Rinse Aid Information

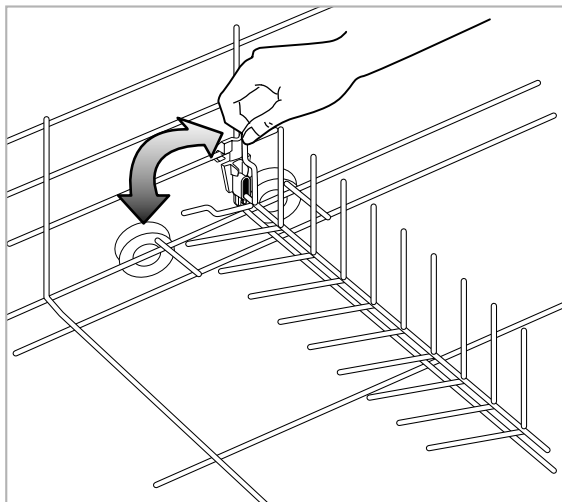
Rinse Aid is necessary in order to get spot and streak free dishes as well as improved drying. Using the correct amount will improve wash performance. However, using too much can produce excess foam leading to possible water leaks.



HOW TO USE AND OPERATE

8. Fold down dividers

- Fold-down dividers at the lower rack can be lowered to improve stacking of pots and pans.



9. Drying

- At the end of the program, it is recommended to slightly open the door. Water may drip from vent when the door is fully open.

10. Energy Test (AS / NZS 2007)

- Appliance loaded in accordance with standard specifications.
 - Example of loaded dishwasher : p.11~12
 - Capacity : 12 place settings
 - Comparability course : Eco 50°
 - Rinse aid setting : 3
 - Reference cleaner : 6g of detergent onto the inside surface of the door and fill 24g into the detergent dispenser.
 - Height-adjustable Rack-U must be inserted in the uppermost position.



WASH OPTIONS

Before selecting the wash program, press the power button. The Eco 65°C program will be selected with remaining time on display window. To change the program, press the program button to light up the desired program.

Start / Pause Button

After selecting a wash program, press the Start or Pause button to start the wash cycle. If at any time you want to interrupt the washing cycle, press the Start or Pause button. Your dishwasher will then pause. Press the Start or Pause button again to re-start dishwasher.

Progress Indicators

Once you select a program, the progress indicators light (Wash, Rinse, Dry). When the Start or Pause button is pressed to start the program, the current stage light will blink.

Delay Start

This function enables the wash cycle to start anywhere between 1 to 19 hours later.

- Select the program that you want by using the program button.
- Set the delay time you want by pressing the “Delay Start” button. The delay start time is increased by 1 hour each time the Delay button is pressed.
- Press the start button. The program will be started automatically after the delayed time shown in the display has expired.

Rinse Plus

Normally when you select any program, the Rinse process is done only two (1 normal rinse + 1 heating rinse) or three (2 normal rinse + 1 heating rinse) times according to selected program. But if you want to rinse more, you can use this function. As you select R⁺¹ by pressing Rinse button, an additional rinse is added to the rinse process.

Child Lock

To reduce the possibility of children interrupting the dishwasher when unattended, the child lock feature can be selected.

- Refer to Child Lock instruction for proper operation.
- For locking or unlocking, press “Delay Start” and “Program” buttons simultaneously during the wash cycle operation.

Sani-Rinse

When you want to rinse the dishes at a higher temperature for sanitation, use this function.

The Sani-Rinse will not operate in the Quick, Pre-Wash, or Gentle 45°C programs.

If you choose this function, the water temperature goes up to 77°C on the final rinse. Press the Rinse button until the “R^{77°}” indicator is lit up.

Half Load

With each press, upper rack only (Upper light on), lower rack only (Lower light on) can be selected.

In case of a small wash load, Energy can be saved by washing either the upper or lower rack. The water consumption will remain the same.



PROGRAMS

Program	WASH		RINSE				DRY
	Pre Wash	Main Wash	Rinse 1	Rinse 2	Rinse 3	Heating Rinse	
Intensive ⁺	50°C	70°C				70°C	
Intensive	40°C	60°C				70°C	
Eco 65°		55°C				65°C	
Eco 50°	30°C	40°C				50°C	
Gentle		40°C				50°C	
Quick		35°C				40°C	
Pre-Wash							

● **Intensive⁺ Wash**

This program is for very heavily soiled loads including pots, pans and casserole dishes which may have dry food residue.

● **Intensive Wash**

This program is for heavily soiled loads including pots, pans and casserole dishes.

CAUTION

Child Safety : Keep children away from the dishwasher when the intensive wash cycle is running, as prolonged exposure to the steam vent may cause injury.

● **Eco 65° Wash**

This program is for heavily soiled everyday loads.

● **Eco 50° Wash**

This program is for normally soiled everyday loads.

● **Gentle Wash**

This program is for washing delicate items like glasses. The Rinse 77°C cannot be added in this cycle.

● **Quick Wash**

This program is for that quick wash of lightly soiled recently used dishes and cutlery. The Rinse 77°C cannot be added in this cycle.

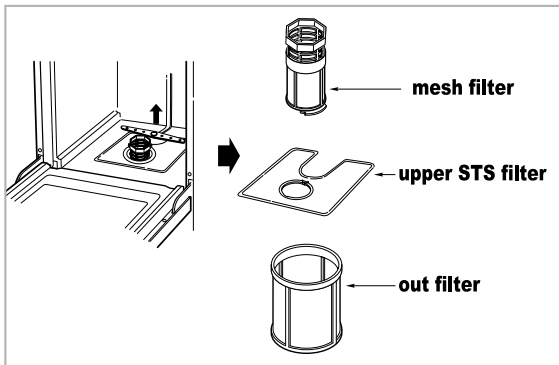


CHECK AND CARE

To prevent trouble and poor operating, it is important to check and care for the filters and spray arms at intervals.

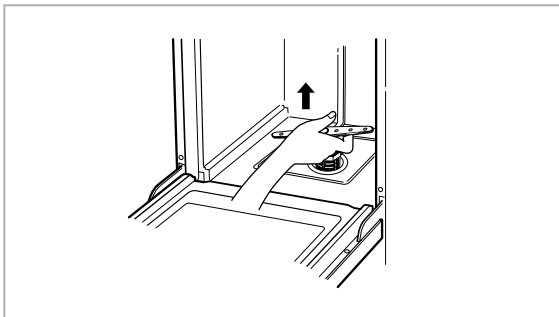
Filters

- Remove the lower rack first.
- Turn the mesh filter counterclockwise to remove.
- Take out the mesh filter, upper STS filter and out filter.
- Clean them if necessary.
- Replace them in the reverse order.



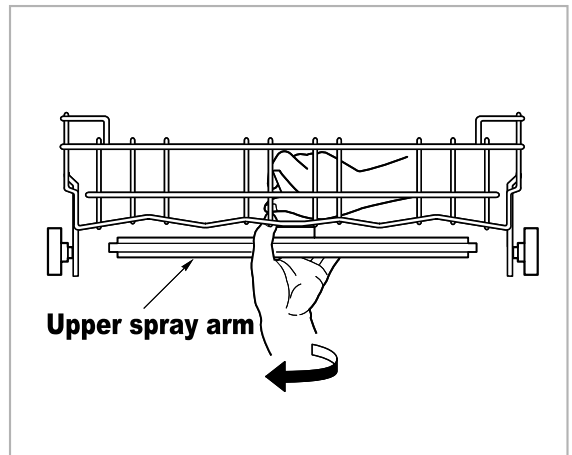
Lower Spray Arm

- Check that the water jet holes are not blocked by food particles.
- When cleaning is necessary, remove the arm by pulling up.
- Clean the spray arm and replace by pushing down.



Upper Spray Arm

- Pull the upper rack forwards.
- Check that the water jet holes are not blocked by food particles.
- When cleaning is necessary, remove the arm by unscrewing the nut.
- Clean the spray arm and replace it in the reverse order.





TROUBLE SHOOTING GUIDE

- If a problem occurs in your machine, call for service.
- Before you call for service, check the below instructions to see whether the problem can be solved by yourself first.

Problem

Possible Causes

The lamps do not come on when the power switch on.

- Plug is not properly inserted in the socket.
- Fuse blown or circuit breaker tripped.
- The electricity of the house was cut off.

The machine does not start.

- Door is not fully closed.
- The start button is not pressed.

Water is not pumped away.
(The display show “UE” code)

- The drain hose is kinked.
- The filter is clogged. (Clean the filter)

The display shows “FE” code
(Automatically Drain Pump operated)

- Excessive water is supplied than normal water level.
- The inlet valve is troubled.

The display shows “IE” code

- Water is not supplied. (Water tap is not opened)

The display shows “E I” code

- Water leakage in Hose connections.
- Water has leaked due to damage.

The display shows “HE” code

- The Heater circuit is troubled.

The spray arms does not rotate smoothly

- The spray arms are blocked by food particles.
(Clean the holes of the spray arm)

White deposits are left on the dish washer after washing.

- The amount of detergent or rinse-aid set incorrectly.

Streaks are left on glassware

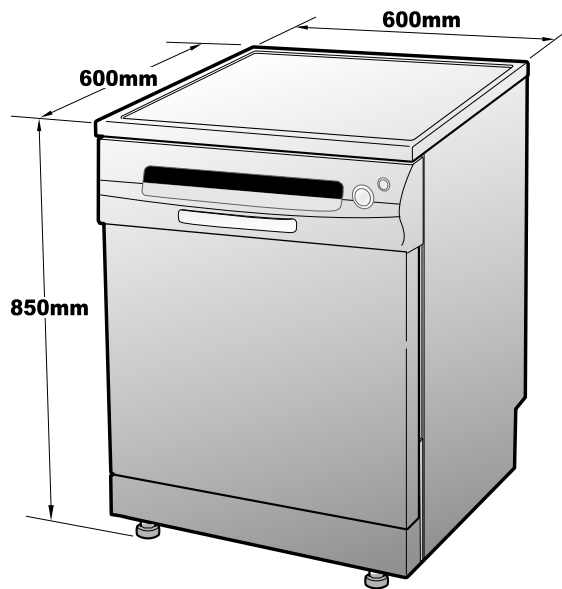
- Too little Rinse-aid dispensed.

Dry results are not satisfactory.

- Too little Rinse-aid dispensed.

Washing results are not satisfactory.

- Incorrect amount of detergent.
- Utensils incorrectly arranged or overloaded.
- Filters are clogged.
- Water jet holes of spray arms blocked.
- Spray arms' rotation obstructed by utensils.
- Unsuitable program selected.



Capacity	12 Place settings
Dimension	600 x 600 x 850 mm (W x D x H)
Weight	52 kg
Power Supply	See rating label
Power Consumption	See rating label
Water Consumption	See energy label
Water Feed Pressure	50 ~ 800 kPa