

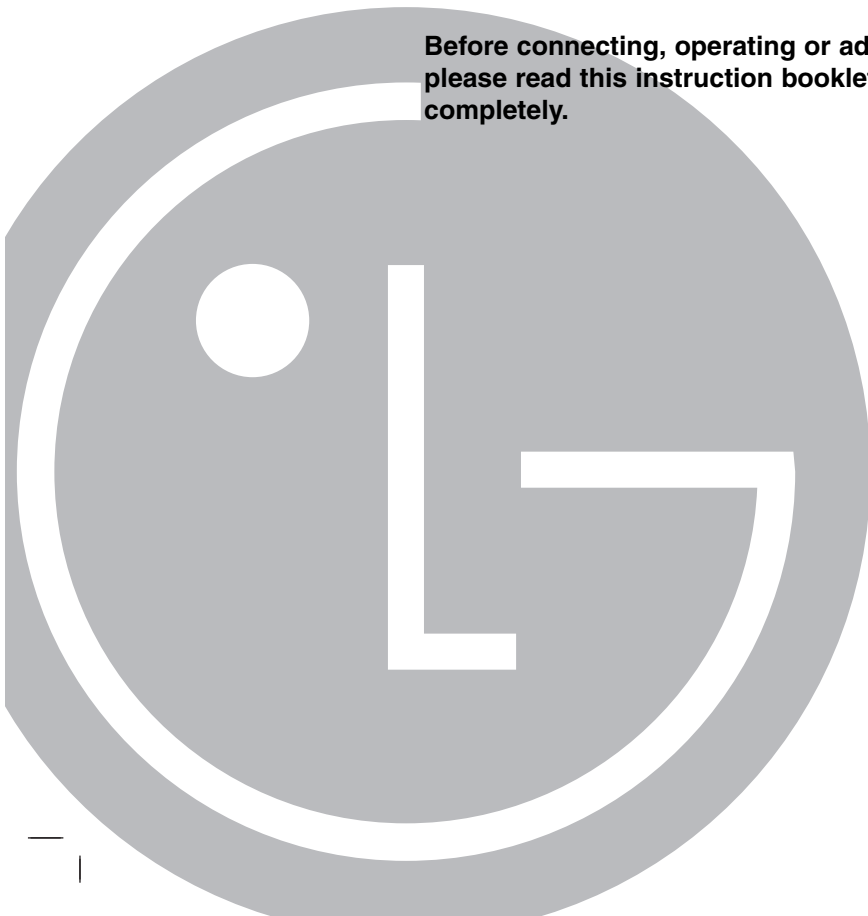


MICRO Hi-Fi SYSTEM OWNER'S MANUAL

MODEL: FA162

FA162-A0U/D0U/X0U
FAS162F

Before connecting, operating or adjusting this product,
please read this instruction booklet carefully and
completely.



Safety Precaution



CAUTION: TO REDUCE THE RISK OF ELECTRIC SHOCK DO NOT REMOVE COVER (OR BACK) NO USER-SERVICEABLE PARTS INSIDE REFER SERVICING TO QUALIFIED SERVICE PERSONNEL.



This lightning flash with arrowhead symbol within an equilateral triangle is intended to alert the user to the presence of uninsulated dangerous voltage within the product's enclosure that may be of sufficient magnitude to constitute a risk of electric shock to persons.



The exclamation point within an equilateral triangle is intended to alert the user to the presence of important operating and maintenance (servicing) instructions in the literature accompanying the product.

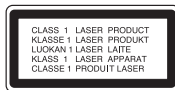
WARNING: TO PREVENT FIRE OR ELECTRIC SHOCK HAZARD, DO NOT EXPOSE THIS PRODUCT TO RAIN OR MOISTURE.

WARNING: Do not install this equipment in a confined space such as a book case or similar unit.

CAUTION: Do not block any ventilation openings. Install in accordance with the manufacturer's instructions.

Slots and openings in the cabinet are provided for ventilation and to ensure reliable operation of the product and to protect it from over heating.

The openings should be never be blocked by placing the product on a bed, sofa, rug or other similar surface. This product should not be placed in a built-in installation such as a bookcase or rack unless proper ventilation is provided or the manufacturer's instruction have been adhered to.



CAUTION:

This product employs a Laser System.

To ensure proper use of this product, please read this owner's manual carefully and retain it for future reference. Should the unit require maintenance, contact an authorized service center.

Use of controls, adjustments or the performance of procedures other than those specified herein may result in hazardous radiation exposure.

To prevent direct exposure to laser beam, do not try to open the enclosure. Visible laser radiation when open. DO NOT STARE INTO BEAM.

CAUTION: The apparatus should not be exposed to water (dripping or splashing) and no objects filled with liquids, such as vases, should be placed on the apparatus.

CAUTION concerning the Power Cord

Most appliances recommend they be placed upon a dedicated circuit;

That is, a single outlet circuit which powers only that appliance and has no additional outlets or branch circuits. Check the specification page of this owner's manual to be certain.

Do not overload wall outlets. Overloaded wall outlets, loose or damaged wall outlets, extension cords, frayed power cords, or damaged or cracked wire insulation are dangerous. Any of these conditions could result in electric shock or fire. Periodically examine the cord of your appliance, and if its appearance indicates damage or deterioration, unplug it, discontinue use of the appliance, and have the cord replaced with an exact replacement part by an authorized servicer.

Protect the power cord from physical or mechanical abuse, such as being twisted, kinked, pinched, closed in a door, or walked upon. Pay particular attention to plugs, wall outlets, and the point where the cord exits the appliance.

To disconnect power from the mains, pull out the mains cord plug. When installing the product, ensure that the plug is easily accessible.



Disposal of your old appliance

1. When this crossed-out wheeled bin symbol is attached to a product it means the product is covered by the European Directive 2002/96/EC.
2. All electrical and electronic products should be disposed of separately from the municipal waste stream via designated collection facilities appointed by the government or the local authorities.
3. The correct disposal of your old appliance will help prevent potential negative consequences for the environment and human health.
4. For more detailed information about disposal of your old appliance, please contact your city office, waste disposal service or the shop where you purchased the product.



This product is manufactured to comply with the EEC DIRECTIVE 89/336/EEC, 93/68/EEC and 2006/95/EC.

POWER SAVE MODE

You can set up the unit into an economic power save mode. In power-on status, press and hold **(POWER)** button for about 3 seconds.

- Nothing is displayed in the display window when the unit goes into the power save mode.

To cancel power save mode, press **(POWER)**.

Before use

Contents

Before use

About the Symbols for instruction /	
Notes on Discs	3
Front / Back Panel	4
Remote Control	5

Connections

Speaker System Connection /	
Auxiliary Function	6
Antenna (Aerial) Connections	7

Operation

USB Function	7
Setting the Clock / Timer Function /	
Sleep Timer Function	8
Audio Adjustment	9
Presetting the Radio Stations /	
Listening to the Radio	10
RDS Function - OPTIONAL	11
CD Playback	12
To Program Play /	
About MP3/WMA	13

Reference


Troubleshooting	14
Specifications	15

The manual largely contains detailed explanation items about how to operate the unit with the remote control.

Precautions in using the touch buttons

- Use the touch buttons with clean and dry hands.
 - In a humid environment, wipe out any moisture on the touch buttons before using.
- Do not press the touch buttons hard to make it work.
 - If you apply too much strength, it can damage the sensor of the touch buttons.
- Touch the button that you want to work in order to operate the function correctly.
- Be careful not to have any conductive material such as metallic object on the touch buttons, and it can cause malfunctions.

About the symbols for instruction

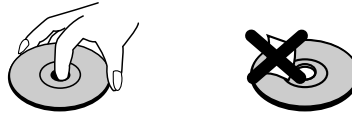
 Indicates hazards likely to cause harm to the unit itself or other material damage.

Note Indicates special notes and operating features.

Notes on Discs

Handling discs

Do not touch the playback side of the disc. Hold the disc by the edges so that fingerprints do not get on the surface. Never stick paper or tape on the disc.

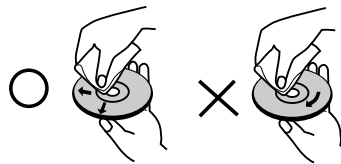


Storing discs

After playing, store the disc in its case. Do not expose the disc to direct sunlight or sources of heat and never leave it in a parked car exposed to direct sunlight.

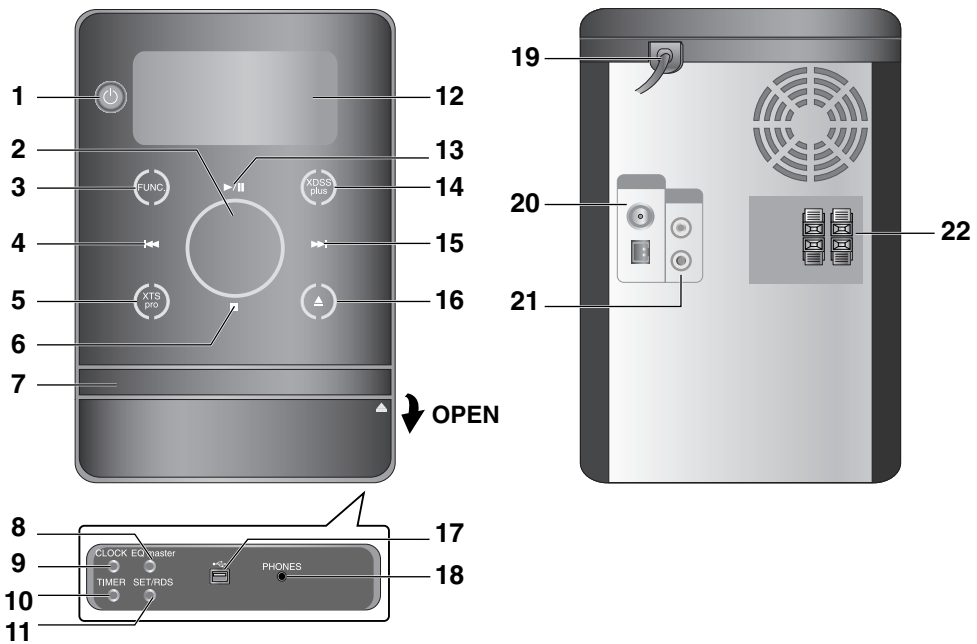
Cleaning discs

Fingerprints and dust on the disc can cause poor picture quality and sound distortion. Before playing, clean the disc with a clean cloth. Wipe the disc from the center out.



Do not use strong solvents such as alcohol, benzene, thinner, commercially available cleaners, or anti-static spray intended for older vinyl records.

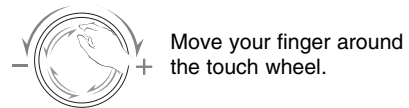
Front / Back Panel



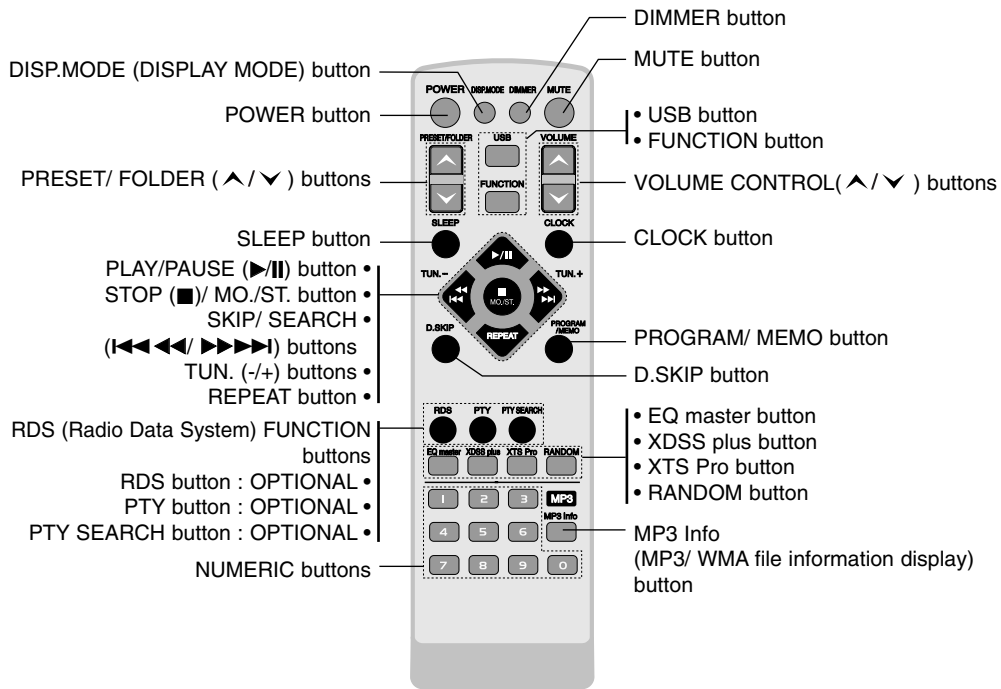
1. ⏻ (POWER)
2. VOLUME*
3. FUNC. (FUNCTION)
(FM, AM, CD, USB, AUX)
4. ⏮ (SKIP)
TUN. (-) (TUNER)
5. XTS pro
6. ■ (STOP)
MO./ ST. (MONO/ STEREO)
7. DISC TRAY
8. EQ master/ DEMO button
9. CLOCK button
10. TIMER button
11. SET/ RDS(OPTIONAL) button
12. Display window
13. ▶|| (PLAY/PAUSE)
14. XDSS plus/ (MP3 Optimizer)

15. ▶▶ (SKIP)
TUN. (+) (TUNER)
16. ▲ (OPEN/CLOSE)
17. ⏪ USB connector
18. PHONES
(Headphone jack : \varnothing 3.5mm)
19. Power cord
20. Antenna terminal
21. AUX IN (Auxiliary input) connector
22. Speaker terminal

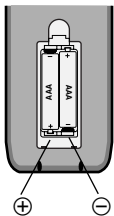
*VOLUME Adjustment



Remote Control



Remote Control battery installation



Detach the battery cover on the rear of the remote control and insert two R03 (size AAA) batteries with ⊕ and ⊖ aligned correctly.

⚠ Caution

: Do not mix old and new batteries. Never mix different types of batteries (standard, alkaline, etc.).

Remote Control Operation Range

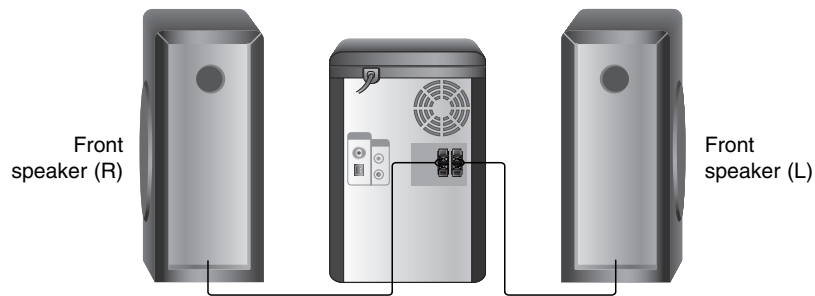
Point the remote control at the remote sensor and press the buttons.

- Distance : About 23 ft (7 m) from the front of the remote sensor.
- Angle : About 30° in each direction of the front of the remote sensor.

Connections

Speaker System Connection

Connect the speaker cables to the speaker terminal.



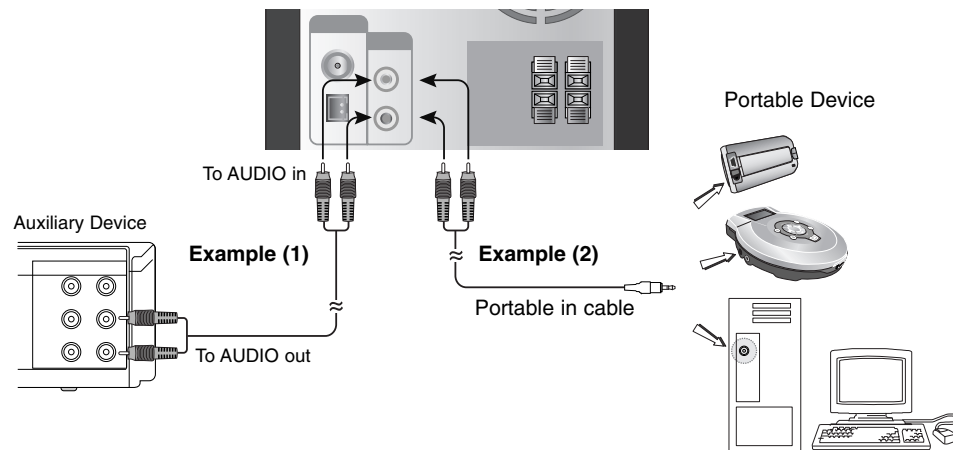
Notes:

- Be sure to match the speaker cable to the appropriate terminal on the components: + to + and – to –. If the cords are reversed, the sound will be distorted and will lack base.
- Connect the Left/Right speaker correctly. If it reversed, the sound may be distorted.

Auxiliary Function

Connect an auxiliary device such as a TV or VCR via the rear mounted AUX connector and press **FUNCTION** [Refer to the example image(1) shown below].

When you connect each end of the bundled portable in cable with both the AUX connector and the headphone jack of a portable device (like MP3 player, cassette tape player, CD player, etc.), you can hear the sound of the device through the speakers [Refer to the example image(2) shown below].

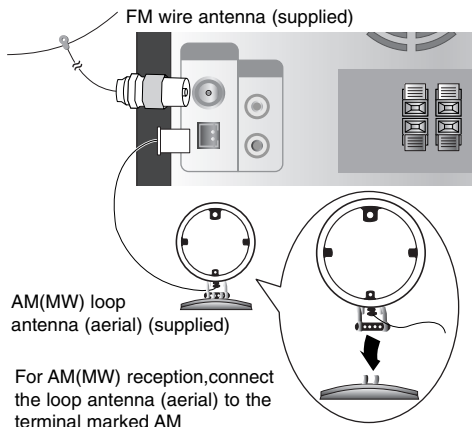


Note:

Turn the unit off and then connect an auxiliary device before you connect an auxiliary device. Because it may make a noise.

Antenna (Aerial) Connections

Connect the supplied FM/AM antennas for listening to the radio.



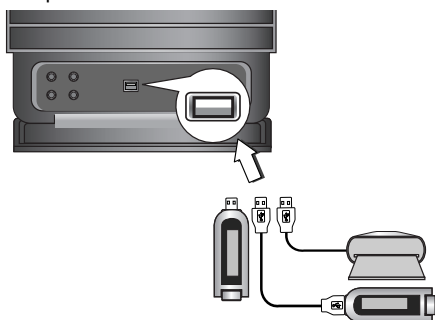
Notes:

- To prevent noise pickup, keep the AM loop antenna away from the unit and other components.
- Be sure to fully extend the FM wire antenna.
- After connecting the FM wire antenna, keep it as horizontal as possible.

Operation

USB Function

You can enjoy the media files such as tunes (MP3/WMA) saved in an MP3 player or USB memory by connecting the storage device to the USB port of this unit.



Compatible Devices

1. Devices which require additional program installation when you connect it to a computer, are not supported.
2. MP3 Player : Flash type MP3 player.
 - The MP3 player requiring installation of a driver is not supported.
3. USB Flash Drive : Devices that support USB2.0 or USB1.1.

Basic Playback

1. Connect the USB device to the USB connector of your unit.
2. Press **USB** to enter the USB mode. "CHECKING" appears in the display window, and then the total number of files is displayed.
3. Press **PLAY/ PAUSE (▶/II)**. In addition, you can also play using **NUMERIC** buttons.

To Remove the USB from the unit

1. Choose the other functions except USB function in order to remove the USB.
2. Remove the USB from the unit.

Note:

Besides Basic Playback, if you want to operate other functions, see the CD Playback section.

Moving to other cards

When you use a memory card, press **D.SKIP** during playing or stopping.

Notes:

- **Do not extract the USB device in operating.**
- A backup is needed to prevent a data damage.
- If you use a USB extension cable or USB hub, the USB device might not be recognized.
- A device using NTFS file system is not supported. (Only FAT (16/32) file system is supported.)
- The USB function of this unit does not support all USB devices.
- Digital camera and mobile phone are not supported.
- This unit is not supported when the total number of files is 1000 or more.

Setting the Clock

1. Press **CLOCK**.
2. Select a 24 hour time system or a 12 hour time system by tapping **◀◀/▶▶**.



3. Press **SET** to confirm the selected hour time system.
4. Tap **◀◀/▶▶** on the front panel to set the correct hours.
5. Press **SET**.
6. Tap **◀◀/▶▶** on the front panel to set the correct minutes.
7. Press **SET** and the correct time is shown on the display window.
8. Press **CLOCK** at any time to display the time for about 5 seconds.

Note:

If you want to reset the clock, press and hold **CLOCK** for more than 2 seconds.

Timer Function

With the **TIMER** function, you can have the radio reception, CD play and USB play turned on and off at the desired time.

1. Press **CLOCK** to check the current time. (If you don't set clock, the timer function doesn't work.)
2. Press **TIMER** to enter the timer setting mode. If you want to correct the previous memorized **TIMER** setting, press and hold the **TIMER** for more than 2 seconds.
 - The previously memorized timer on the time and "⊖" indicator appears in the display window.
3. Each function (TUNER → CD → USB) flashes in the display window in turn. Press **SET** when the desired function is flashing.
4. a. When you select the **TUNER** function, select the previously memorized preset number by tapping **◀◀/▶▶** on the front panel and press **SET**.
 - "ON TIME" indicator appears for about 0.5 seconds in the display window and then disappears.
- b. When you select the **CD** or **USB** function,
 - "ON TIME" indicator appears for about 0.5 seconds in the display window and then disappears.

5. Set the hour to switch on by tapping **◀◀/▶▶** on the front panel.
6. Press **SET**.
7. Set the minute to switch on by tapping **◀◀/▶▶** on the front panel.
8. Press **SET**.
 - "OFF TIME" indicator appears for about 0.5 seconds in the display window and then disappears.
9. Set the hour to switch off by tapping **◀◀/▶▶** on the front panel.
10. Press **SET**.
11. Set the minute to switch off by tapping **◀◀/▶▶** on the front panel.
12. Press **SET**.
13. Adjust the volume level by tapping **◀◀/▶▶** on the front panel.
14. Press **SET**.
 - "⊖" appears in the display window and the timer setting has been completed.
15. Switch the system off.
 - The selected function is automatically switched on and off at the time set.

To cancel or check the timer

Each time the **TIMER** is pressed you can select the timer set or cancel. You can also check the timer setting status.

To activate or check the timer, press the **TIMER** that "⊖" appears in the display window.

To cancel the **TIMER**, press the **TIMER** that "⊖" disappears in the display window.

Sleep Timer Function

When the sleep timer is used, the power is automatically turned off after the specified time has elapsed.

1. Press **SLEEP** to set the desired sleep time. The **SLEEP** indicator and sleep time appears in the display window.
2. Each time you press **SLEEP** the setting changes in the following order.
SLEEP 180 → 150 → 120 → 90 → 80 → 70 → 60 → 50 → 40 → 30 → 20 → 10 → OFF (No display)

Note:

If you press **SLEEP** while the sleep time is displayed, the **SLEEP** time is reset.

To cancel the sleep timer mode

If you have to stop the function, press the **SLEEP** repeatedly until "SLEEP 10" appears, and then press **SLEEP** once again while "SLEEP 10" is displayed.

Audio Adjustment

Headphone jack

Connect a stereo headphone plug (ϕ 3.5mm) into the headphone jack to listen to the sound through headphones. The speakers are automatically disconnected when you plug in the headphones (not supplied).

MUTE

Press **MUTE** to temporarily stop the sound such as when you answer the telephone. The “**x**” indicator flashes in the display window.

To cancel it, press **VOLUME** (\wedge/\vee) or **MUTE** again.

DIMMER

This function turns the LED (Light-emitting diode) on the front panel off and darkens the display window by half in power-on status.

Press **DIMMER** once.

To cancel it, press **DIMMER** again.

EQUALIZER Effect

You can choose 7 fixed sound impressions and adjust the BASS, MIDDLE and TREBLE.

- You can select a desired sound mode by using **EQ master**.

NORMAL → USER EQ → POP → CLASSIC
 ↑ ↓
 JAZZ ← DRAMA ← ROCK

- Press **EQ master** to select USER EQ.

1. When USER EQ is displayed, press **SET**.

“BASS 0” will appear the display window.

2. Tap the **◀◀/▶▶** to select the setting you want (MIN, -4 ~ +4, MAX steps).

3. Select the BASS, MIDDLE or TREBLE you want by tapping **▶/||** or **■** on the front panel.

4. Adjust the MIDDLE and TREBLE as shown above.

XDSS

(Extreme Dynamic Sound System)

Press **XDSS plus** to reinforce treble, bass and the surround effect. The “XDSS ON” or “NORMAL” indicator lights.

Audio CD : XDSS ON ↔ NORMAL

MP3/WMA : XDSS ON → MP3 -- OPT ON
 → NORMAL → XDSS ON ...

MP3 Optimizer

This function optimizes for compressed MP3 files. It improves the bass sound to make sweet sound. Each time you press **XDSS plus**. The setting changes in the following order.

XDSS ON → MP3 -- OPT ON → NORMAL
 ↑

XTS Pro

This unique sound quality developed by our technology creates the optimum sound for you to play the perfect playback of the original sound and to feel the living sound source.

Each time you press **XTS Pro** the setting changes in the following order.

XTS -- PRO ON ↔ XTS -- PRO OFF

Note:

The XTS Pro function will not be operated when a headphone has been connected.

RANDOM

Press **RANDOM** during playback. The tracks on the CD/MP3/WMA/USB will all play in random order. To cancel it, press **RANDOM** again.

DISPLAY MODE

Whenever you press **DISP. MODE** (DISPLAY MODE), you can enjoy the spectrum change with 6 types in the display window.

DEMO

Press **EQ master** on the front panel in power off state to demonstrate the function in the display window. To cancel it, press **POWER** or **EQ master** again.

Presetting the Radio Stations

You can preset 50 stations for FM and AM. Before tuning, make sure that you have turned down the volume to the minimum.

1. Press **FUNCTION** to select the frequency (AM or FM) you want.
2. Select a station you want by pressing **TUN.** (-/+).

Tuning in automatically

- Press **TUN.** (-/+) for more than 0.5 second. Scanning stops when the unit tunes in a stations.

Tuning in manually

- Press **TUN.** (-/+) briefly and repeatedly.
3. Press **PROGRAM/ MEMO.**
A preset number will flash in the display window.
 4. Press **PRESET/ FOLDER** (^ / v) to select the preset number you want.
 5. Press **PROGRAM/ MEMO** again.
The station is stored.
 6. Repeat the steps 1 (or 2) to 5 to store other stations.

To delete all the memorized stations

Press and hold **PROGRAM/ MEMO** for about two seconds, "ERASE ALL" appears in the display window and then **PROGRAM/ MEMO** again, the stations are deleted.

For your reference

If all stations have already been entered, "FULL" message will appear in the display window for a moment and then a preset number will flash. To change the preset number, follow the steps 4-5.

To recall presets

Press and hold **PRESET/ FOLDER** (^ / v) until the desired preset number appears or press it repeatedly.

Listening to the Radio

1. Press **FUNCTION** to select the frequency (AM or FM) you want.
The last received station is tuned in.
2. Press **PRESET/ FOLDER** (^ / v) repeatedly to select the preset station you want.
 - Each time you press the button, the unit tunes in one preset station at a time.
3. Adjust the volume by pressing **VOLUME** (^ / v) repeatedly.

To listen to non-preset radio stations

- For manual tuning, see "Tuning in manually" in the step 2 on left.
- For automatic tuning, see "Tuning in automatically" in the step 2 on left.

To turn off the radio

Press **POWER** to turn the unit off or select another function mode (CD, USB, AUX).

For your reference

- If an FM program is noisy;
Press **MO/ ST.** that "MONO" appears in the display window. There will be no stereo effect, but the reception will be improved.
Press **MO/ ST.** again to restore the stereo effect.
- To improve reception;
Reposition the supplied antennas.

RDS Function - OPTIONAL

About RDS

This unit is equipped with RDS (Radio Data System), which brings a wide range of information to FM radio. Now in use in many countries, RDS is a system for transmitting station call signs or network information, a description of station programme type text message about the station or specifics of musical selection and the correct time.

RDS Tuning

When a FM station is tuned in and it contains RDS data, the unit will automatically display the station's call sign and the RDS indicator will light in the Display Window as well as indicators for the programme type recognition (PTY), Radio Text (RT), Clock Time (CT) and RDS services programme (PS) if transmitted by the station.

RDS Display Options

The RDS system is capable of transmitting a wide variety of information in addition to the initial call sign that appears when a station is first tuned. In normal RDS operation the display will indicate the station name, broadcast network or call letters. Pressing RDS on the remote control enables you to cycle through the various data types in the sequence:

(FREQUENCY → PTY → RT → CT → PS)

- PTY (Programme type recognition)- The name of the programme type is shown in the Display Window.
- RT (Radio text recognition)- The name of the radio text is shown in the Display Window.
- CT (Time controlled by the channel)- Enables the unit to receive the actual time and show it in the Display Window.
- PS (Programme Service name)- The name of the channel is shown in the Display Window.

Note:

Some RDS stations may not choose to include some of these additional features. If the data required for the selected mode is not being transmitted, the Display Window will show a PTY NONE, RT NONE, CT NONE, PS NONE message.

Programme Search (PTY)

A major benefit of RDS is its ability to encode broadcasts with Programme Type (PTY) codes that indicate the type of material being broadcast. The following list shows the abbreviations used to indicate each PTY along with an explanation of the PTY.

NEWS	News
AFFAIRS	Current Affairs
INFO	Information
SPORT	Sports
EDUCATE	Educational
DRAMA	Drama
CULTURE	Culture
SCIENCE	Science
VARIED	Varied Speech Programme
POP M	Popular Music
ROCK M	Rock Music
EASY M	Easy Listening Music
LIGHT M	Light Music
CLASSICS	Classical Music
OTHER M	Other Music
WEATHER	Weather Information
FINANCE	Financial Programmes
CHILDREN	Children's Programmes
SOCIAL	Social Affairs Programmes
RELIGION	Religious Broadcasts
PHONE IN	Phone-In Programmes
TRAVEL	Travel and Touring
LEISURE	Leisure and Hobby
JAZZ	Jazz Music
COUNTRY	Country Music
NATION M	National Music
OLDIES	Oldies Music
FOLK M	Folk Music
DOCUMENT	Documentary Programmes
TEST	Station Alarm Test Message
ALARM !	Emergency Broadcast Information

You may search for a specific Programme Type (PTY) by following these steps.

1. Press **FUNCTION** to select the FM mode.
2. Press **PTY**, the display will show the last PTY in use.
3. Press **PTY** repeatedly to select a desired PTY.
4. When the PTY is selected, press **PTY SEARCH**.

The unit will go into the an automatic search mode. When a station is tuned, the search will stop.

CD Playback

Basic Playback

1. Use **FUNCTION** to select CD function.
If no disc is loaded then "NO DISC" is displayed.
2. Tap **▲ (OPEN/ CLOSE)** and place the disc into the disc tray.

Note:

To load an 8cm (3 inch) disc, put it onto the inner circle of the tray.

3. Tap **▲ (OPEN/ CLOSE)** to close the disc compartment.
Audio CD : "READING" appears in the display window, and then the total number of tracks and the playing time are displayed.
MP3/ WMA CD: "READING" appears in the display window, and then the total number of files is displayed.
4. Press **PLAY/ PAUSE (▶/||)**.
In addition, you can also play an Audio CD or MP3 CD using **NUMERIC** buttons.

Pause Playback

Press **PLAY/ PAUSE (▶/||)** during playback. Press this button again it to resume play.

Stop Playback

Press **STOP (■)** during playback.

Skipping a Track

- Press **▶▶▶▶▶** to go to the next track.
- When the **◀◀◀◀◀** is pressed once midway through a track, the player returns to the start of that track. When it is pressed again, a track is skipped each time the button is pressed.

Searching a Track

Hold **◀◀◀◀/▶▶▶▶▶** during playback, then release at the point you want.

Note:

This function is only available to play an Audio CD.

REPEAT

Press **REPEAT** during playback.

Audio CD

- **RPT 1** : To play one track repeatedly.
↓
- RPT ALL** : To play all tracks repeatedly.
↓
- RPT OFF** : To cancel repeat play.

MP3/WMA

- **RPT 1** : To play one track repeatedly.
↓
- RPT FOLDER** : To play folder repeatedly.
↓
- RPT ALL** : To play all tracks repeatedly
↓
- RPT OFF** : To cancel repeat play.

Program repeat play

- **RPT 1** : To play one track repeatedly.
↓
- RPT ALL** : To play all program repeatedly.
↓
- RPT OFF** : To cancel repeat play.

To check MP3 file information

Press **MP3 Info** during MP3 file playback.

- The information (Title, Artist or Album) of the MP3 file will be shown in the display window.
- If there is no the information of the MP3 file, "NO ID3 TAG" indicator will be shown in the display window.

Note:

This unit can play a CD-R or CD-RW that contains audio titles or MP3 files.

MP3/ WMA file folder function

Press **PRESET/ FOLDER (▲/▼)** to select the folder you want.

Note:

It is applied in a case that has several folder in a MP3/ WMA file.

To Program Play

You can arrange the order of the tracks on the discs and create your own program. The program can contain up to 20 tracks.

1. Press **PROGRAM/ MEMO** in stop mode. "PROG." appears in the display window.
2. Press **◀◀◀/ ▶▶▶** to select the track.

EX) "4 -- P 01" will be shown in the display.

```

  |
  | Program number
  |
  | Track number
  |

```

3. Press **PROGRAM/ MEMO**.
4. Repeat the steps 1 - 3 above.
5. Press **PLAY/ PAUSE (▶/||)**.

To check the program contents

Press **PROGRAM/ MEMO** in stop mode.

- A Track and program number will be displayed.

To clear program contents

Press **PROGRAM/ MEMO** in stop mode.

And then Press **STOP(■)**.

To add program contents

1. Press **PROGRAM/ MEMO** repeatedly in program stop mode until the Track Number blinks.
2. Repeat the steps 2 - 4 above.

To modify program contents

1. Press **PROGRAM/ MEMO** to display the program number you want to modify.
2. Repeat the steps 2 - 4 above.

About MP3/ WMA

MP3/ WMA Disc compatibility with this unit is limited as follows:

1. Sampling Frequency
8 - 48kHz(MP3), 32 - 48kHz(WMA)
2. Bit rate
8 - 320kbps(MP3), 48 - 320kbps(WMA)
3. CD-R physical format should be "ISO 9660"
4. If you record MP3/ WMA files using the software which cannot create a FILE SYSTEM, for example "Direct-CD" etc., it is impossible to playback MP3 files. We recommend that you use "Easy-CD Creator", which creates an ISO 9660 file system.
5. File names should be named using 30 letters or less and must incorporate ".mp3", ".wma" extension e.g. "*****.MP3" or "*****.WMA"
6. Do not use special letters such as "/ : * ? " < >" etc.
7. Even if the total number of files on the disc has more than 1000, it will only be shown up to 999.

About MULTI SESSION

- This function recognizes the multi session disc according to a disc of CD-ROM type.

ex) If there are MP3/ WMA files in the first session, the MP3/ WMA file in the first session is only played.
If there are only MP3/ WMA files in the whole session, all of the MP3/ WMA files in the session are played.

If there is an Audio CD in the first session, only the Audio CD in the first session is played.

Reference

Troubleshooting

Symptom	Causa	Correction
No power	The power cord is disconnected.	Plug the power cord into the wall outlet securely.
No sound	The power of the external source equipment is switched off.	Switch on the external source equipment.
The unit does not start playback	No disc is inserted.	Insert a disc.
	An unplayable disc is inserted.	Insert a playable disc.
	The disc is placed upside down.	Place the disc with the playback side down.
	The disc is not placed within the guide.	Place the disc on the disc tray correctly inside the guide.
The remote control does not work properly	The disc is dirty.	Clean the disc.
	The remote control is not pointed at the remote sensor of the unit.	Point the remote control at the remote sensor of the unit.
	The remote control is too far from the unit.	Operate the remote control within about 23 ft (7 m).
	There is an obstacle in the path of the remote control and the unit.	Remove the obstacle.
	The batteries in the remote control are exhausted.	Replace the batteries with new ones.

Specifications

[General]	Power supply	Refer to the back panel of the unit.	
	Power consumption	Refer to the back panel of the unit.	
	Net Weight	3.31 kg	
	External dimensions (WxHxD)	170 X 253 X 265 mm	
[CD]	Frequency response	20 - 20000 Hz	
	Signal-to-noise ratio	75 dB	
	Dynamic range	75 dB	
[Tuner]	FM	Tuning Range	87.5 - 108.0 MHz or 65 - 74 MHz, 87.5 - 108.0 MHz
		Intermediate Frequency	10.7 MHz
		Signal to Noise Ratio	60/55 dB (Mono)
		Frequency Response	50 - 10000 Hz
	AM (MW)	Tuning Range	522 - 1620 kHz or 520 - 1720 kHz
		Intermediate Frequency	450 kHz
		Signal to Noise Ratio	30 dB
		Frequency Response	140 - 1800 Hz
[Amp]	Output Power	80 W + 80 W	
	T.H.D	0.5 %	
	Frequency Response	40 - 20000 Hz	
	Signal-to-noise ratio	75 dB	
[Speakers]	Type	3 Way 3 Speaker	
	Impedance	4 Ω	
	Frequency Response	70 - 20000 Hz	
	Sound Pressure Level	83 dB/W (1m)	
	Rated Input Power	80 W	
	Max. Input Power	160 W	
	Net Dimensions (WxHxD)	128 x 295 x 240 mm	
Net Weight (1EA)	4.0 kg		

Designs and specifications are subject to change without notice.



P/NO : MFL36264632