



LCD TV | PLASMA TV OWNER'S MANUAL

LCD TV MODELS

26LC4*	26LC5*
32LC4*	32LC5*
37LC4*	37LC5*
42LC4*	42LC5*
26LB7*	32LB7*

PLASMA TV MODELS

42PC5*
50PC5*
50PB6*
42PC3*
50PC3*
60PC4*

Please read this manual carefully before operating your set.
 Retain it for future reference.
 Record model number and serial number of the set.
 See the label attached on the back cover and quote this information to your dealer when you require service.

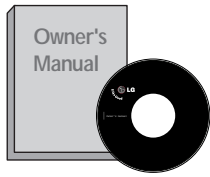


Trade Mark of the DVB Digital Video Broadcasting Project (1991 to 1996)

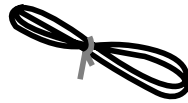
ID Number(s): 4550: 26LC45	4549: 26LC46
4548: 32LC45	4547: 32LC46
4546: 37LC45	4545: 37LC46
4544: 42LC45	4543: 42LC46
4542: 32LC55	4541: 32LC56
4540: 26LC55	4539: 37LC55
4538: 42LC55	4722: 26LB75
4918: 26LB76	4723: 32LB75
4917: 32LB76	4559: 42PC55
4555: 50PC55	4554: 42PC56
4553: 50PC56	4552: 50PB65
4892: 42PC35	4891: 50PC35
4742: 60PC45	

ACCESSORIES

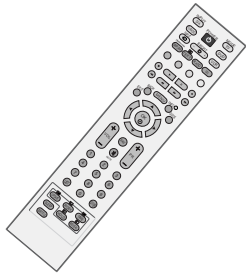
Ensure that the following accessories are included with your TV. If an accessory is missing, please contact the dealer where you purchased the product.



Owner's Manual



Power Cord



Remote Control



Batteries

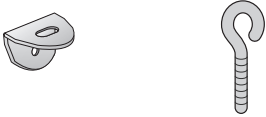


Polishing Cloth
(This feature is not available for all models.)
Polish the screen with the cloth.

Slightly wipe stained spot on the exterior only with the cleansing cloths for the product exterior if there is stain or fingerprint on surface of the exterior.

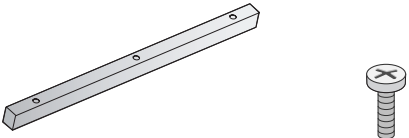
Do not wipe roughly when removing stain. Please be cautious of that excessive power may cause scratch or discoloration.

Plasma TV models



2-Wall brackets
2-eye-bolts
(This feature is not available for all models.)

50PB6*, only




One desk-type stand fixture protection cover
Refer to p. 20

3-bolts
Refer to p. 20

LCD TV models

(This feature is not available for all models.)




2- TV Brackets
2- Wall Brackets

2-bolts

Twister Holder
Arrange the wires with the twister holder.


Cable Management

26", 32", 37" only



4-bolts for stand assembly
Refer to p. 12

26/32LB7* only



1-screw for stand fixing
Refer to p. 14

CONTENTS

ACCESSORIES 1

PREPARATION

Front Panel Controls	4
Back Panel Information	7
Stand installation	11
Attaching the TV to a wall	13
Attaching the TV to a desk	14
Back Cover for Wire Arrangement	15
Desktop Pedestal Installation	19
Wall Mount: Horizontal installation	20
Antenna Connection	21

EXTERNAL EQUIPMENT SETUP

HD Receiver Setup	22
DVD Setup	25
Insertion of CI module	28
VCR Setup	29
Digital Audio Out Setup	31
Other A/V Source Setup	32
PC Setup	33
- Screen Setup for PC Mode	36

WATCHING TV / PROGRAMME CONTROL

Remote Control Key Functions	40
Turning on the TV	44
Programme Selection	45
Volume Adjustment	45
On-Screen Menus Selection and Adjustment	46
Auto Programme Tuning (In Digital Mode)	47
Manual Programme Tuning (In Digital Mode)	48
Programme Edit (In Digital Mode)	49
5V antenna Power (In Digital Mode only)	51
Software Update (In Digital Mode only)	52
Diagnostics (In Digital Mode only)	53
CI Information (In Digital Mode only)	54
Auto Programme Tuning (In Analogue Mode)	55

Manual Programme Tuning (In Analogue Mode)	56
Fine Tuning (In Analogue Mode)	57
Assigning a Station Name (In Analogue Mode)	57
Programme Edit (In Analogue Mode)	58
Calling the Programme Table	60
Input Source Selection	61
Index	61
SIMPLINK Function	62

EPG (ELECTRONIC PROGRAMME GUIDE) (IN DIGITAL MODE)

Switch on/off EPG	64
Select programme	64
Button function in NOW/NEXT guide mode	65
Button function in 8 days guide mode	65
Button function in date change mode	65
Button function in extended description box	66
Button function in record/remind setting mode	66
Button function in timer list mode	66

PICTURE CONTROL

Picture Size (Aspect Ratio) Control	67
Preset Picture Settings	
- Picture Mode-Preset	69
- Auto Colour Tone Control (Warm/Medium/Cool)	70
Manual Picture Adjustment	
- Picture Mode-User option	71
- Colour Tone - User option	72
XD - Picture Improvement Technology	73
XD Demo	74
Advanced - Cinema	75
Advanced - Black(Darkness) Level	76
Picture Reset	77
Image Sticking Minimization(ISM) Method	78
Low-Power Picture Mode	79

SOUND & LANGUAGE CONTROL

Auto Volume Leveler	80
Preset Sound Settings - Sound Mode	81
Sound Setting Adjustment - User Mode	82
Balance	83
TV Speakers On/ Off Setup	84
Selecting digital audio out	85
I/II	
- Stereo/Dual Reception (In Analogue Mode Only)	86
- NICAM Reception (In Analogue Mode Only)	87
- Speaker Sound Output Selection	87
On-Screen Menu Language/Country Selection	88
Language selection (In Digital Mode only)	89

TIME SETTING

Clock Setup	90
Auto On/ Off Timer Setting	91
Auto Shut-off Setting	92
Time zone Setup	93
Sleep Timer Setting	93

PARENTAL CONTROL / RATINGS

Set Password & Lock System	94
Parental Control	95

TELETEXT

Switch on/off	96
SIMPLE Text	96
TOP Text	96
FASTEXT	97
Special Teletext Functions	97

DIGITAL TELETEXT

Teletext within Digital Service	98
Teletext in Digital Service	98

APPENDIX

Troubleshooting	99
Maintenance	101
Product Specifications	102
Programming the Remote Control	104
Programming Code	104
IR Codes	106
External Control Device Setup	108

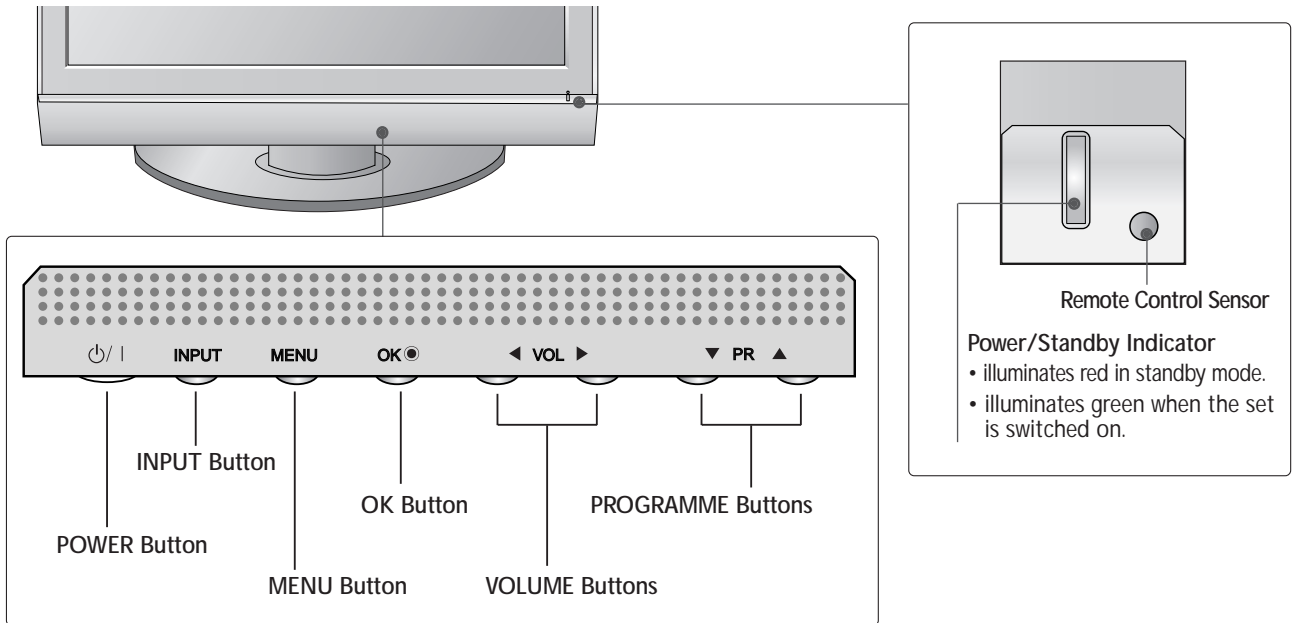
PREPARATION

FRONT PANEL CONTROLS

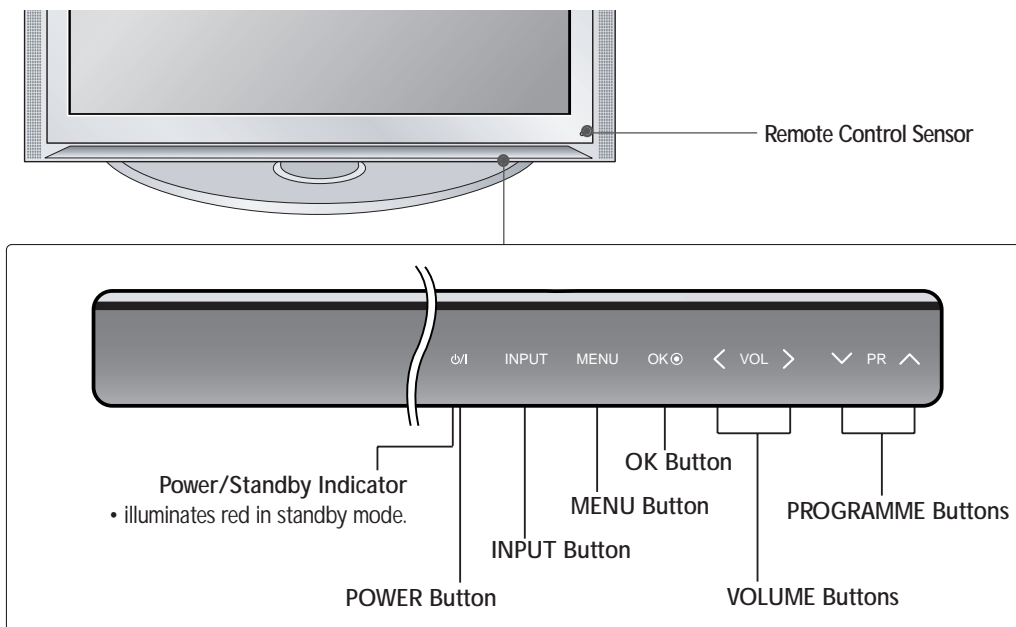
- A This is a simplified representation of the front panel. Here shown may be somewhat different from your TV.
- A If your product has a protection film attached, remove the film and then wipe the product with a polishing cloth.

Plasma TV Models

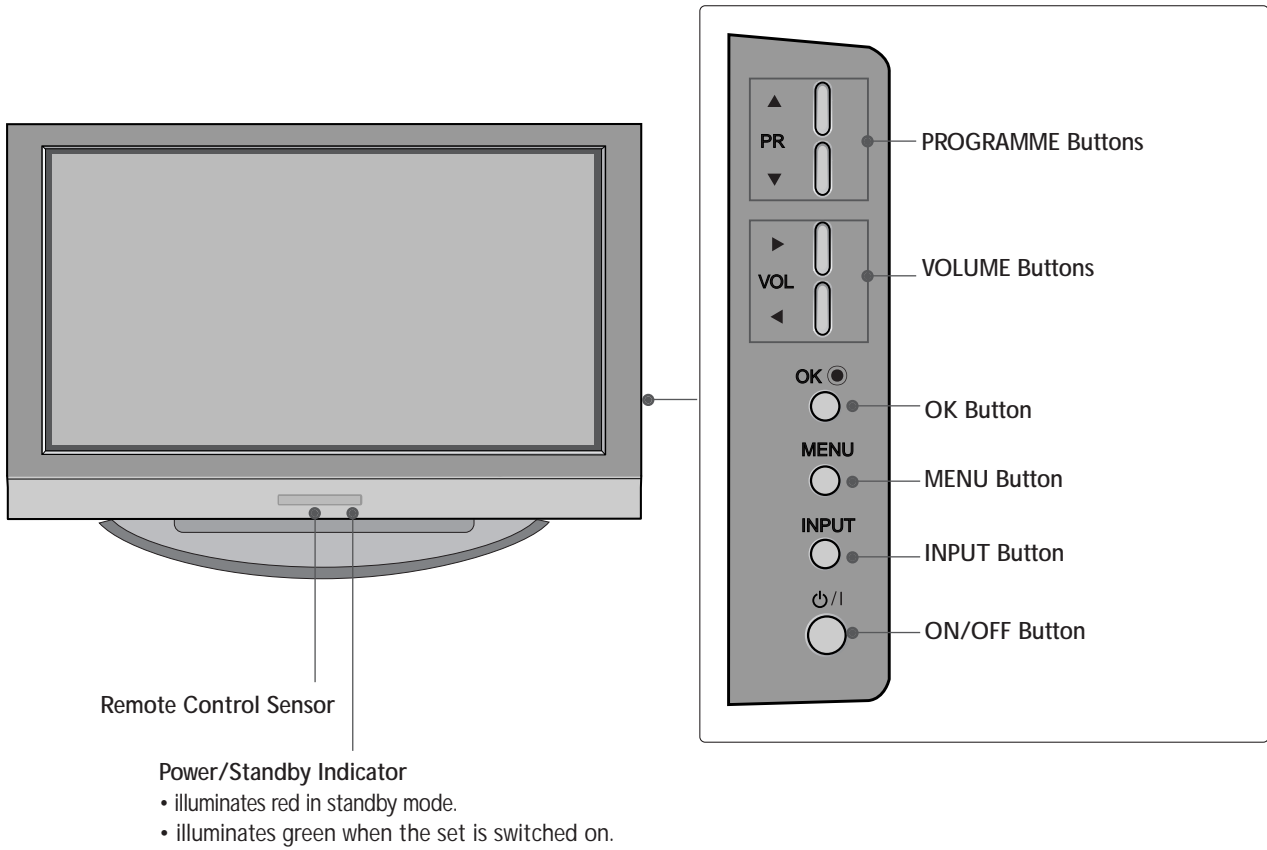
42/50PC5*, 60PC4*



50PB6*



Plasma TV Models 42/50PC3*

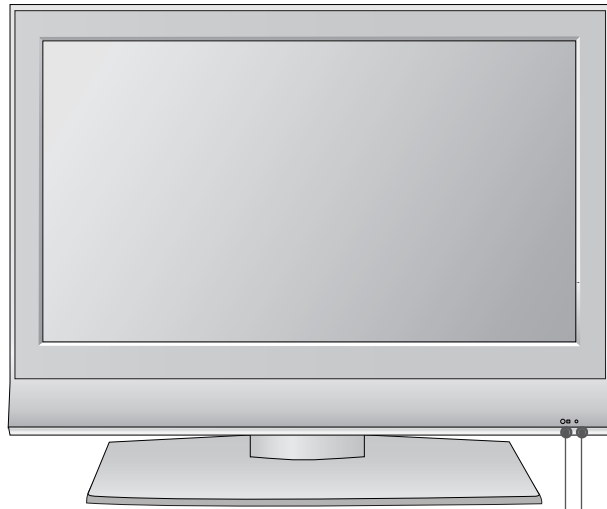


PREPARATION

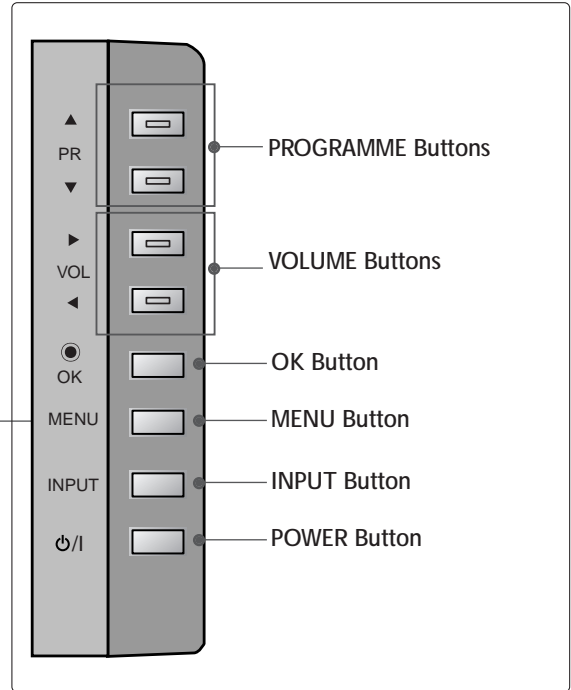
PREPARATION

LCD TV Models

Except 26/32LB7*



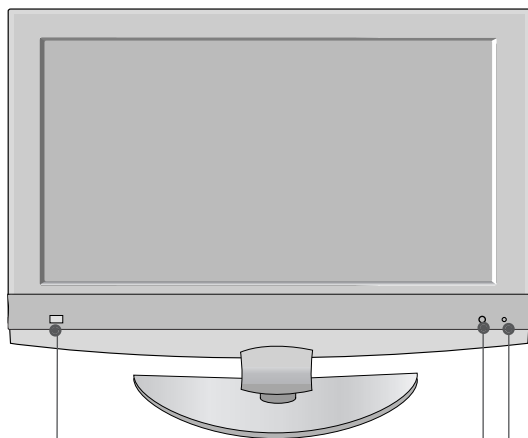
Remote Control Sensor



Power/Standby Indicator

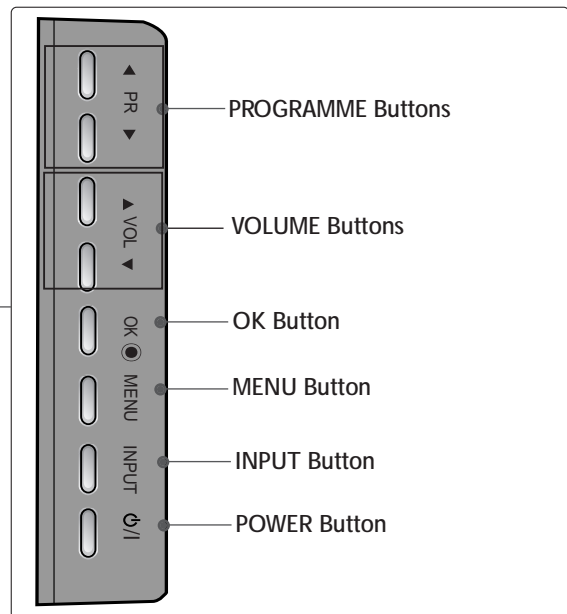
- illuminates red in standby mode.
- illuminates green when the set is switched on.

Only 26/32LB7*



Intelligent Eye
Adjusts picture according to the surrounding conditions.

Remote Control Sensor



Power/Standby Indicator

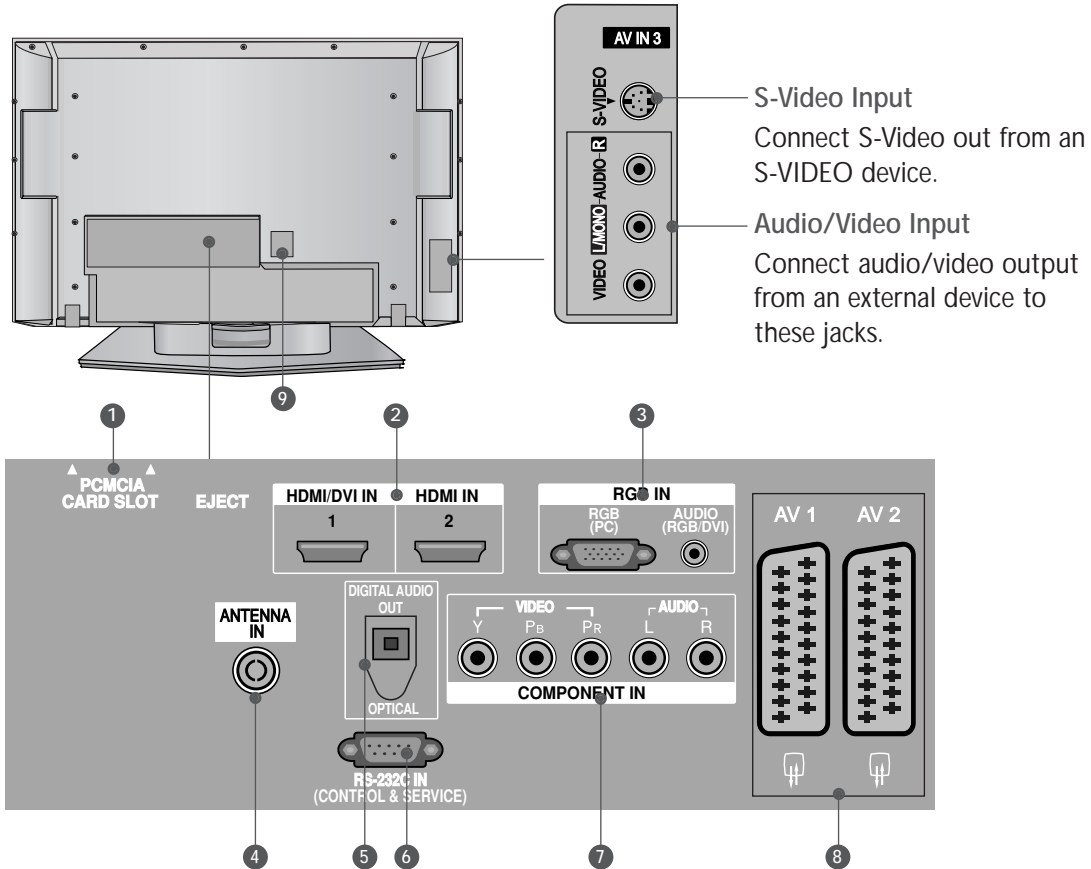
- illuminates red in standby mode.
- illuminates green when the set is switched on.

BACK PANEL INFORMATION

^A This is a simplified representation of the back panel. Here shown may be somewhat different from your TV.

Plasma TV Models

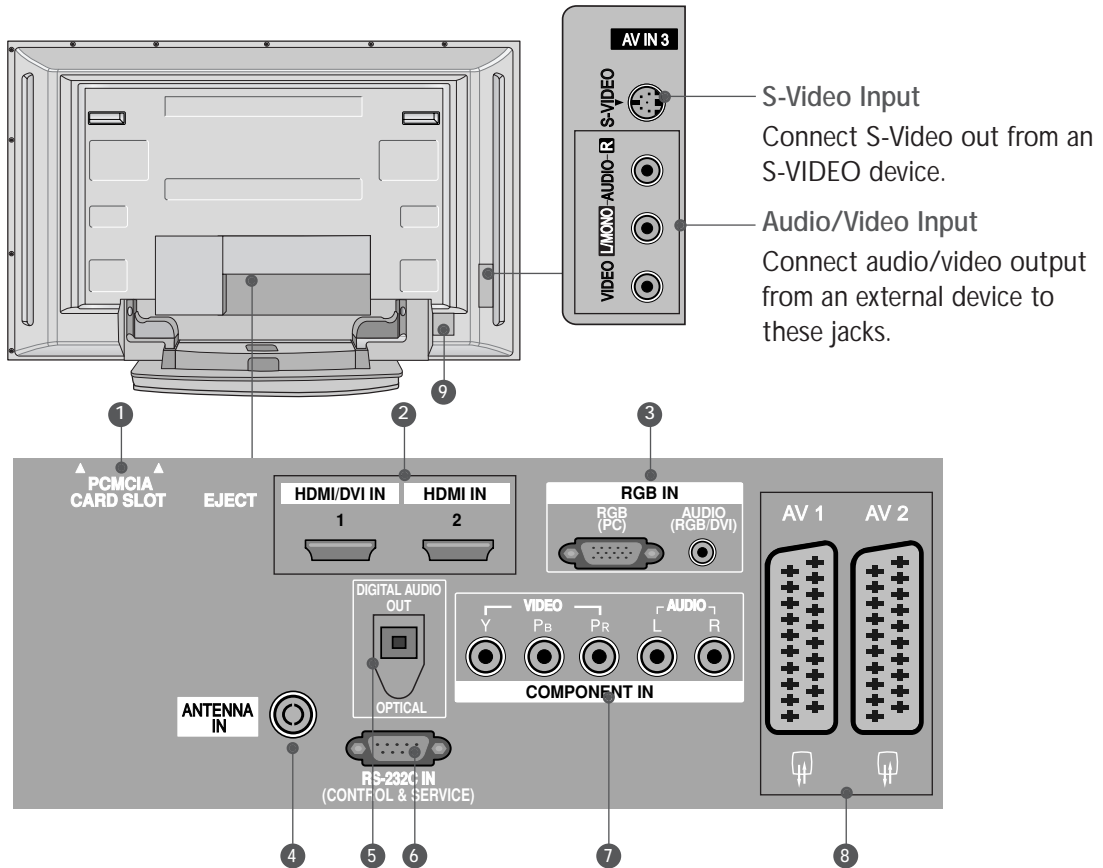
Except 42/50PC3*



- ① PCMCIA (Personal Computer Memory Card International Association) Card Slot
(This feature is not available in all countries.)
- ② HDMI Input
Connect a HDMI signal to HDMI IN.
Or DVI(VIDEO)signal to HDMI/DVI port with DVI to HDMI cable.
- ③ RGB/DVI Audio Input
Connect the monitor output from a PC to the appropriate input port.
- ④ Antenna Input
Connect over-the-air signals to this jack.
- ⑤ DIGITAL AUDIO OUT OPTICAL
Connect digital audio from various types of equipment.
Note: In standby mode, these ports do not work.
- ⑥ RS-232C IN (CONTROL & SERVICE) PORT
Connect to the RS-232C port on a PC.
- ⑦ Component Input
Connect a component video/audio device to these jacks.
- ⑧ Euro Scart Socket (AV1/AV2)
Connect scart socket input or output from an external device to these jacks.
- ⑨ Power Cord Socket
This TV operates on an AC power. The voltage is indicated on the Specifications page. Never attempt to operate the TV on DC power.

PREPARATION

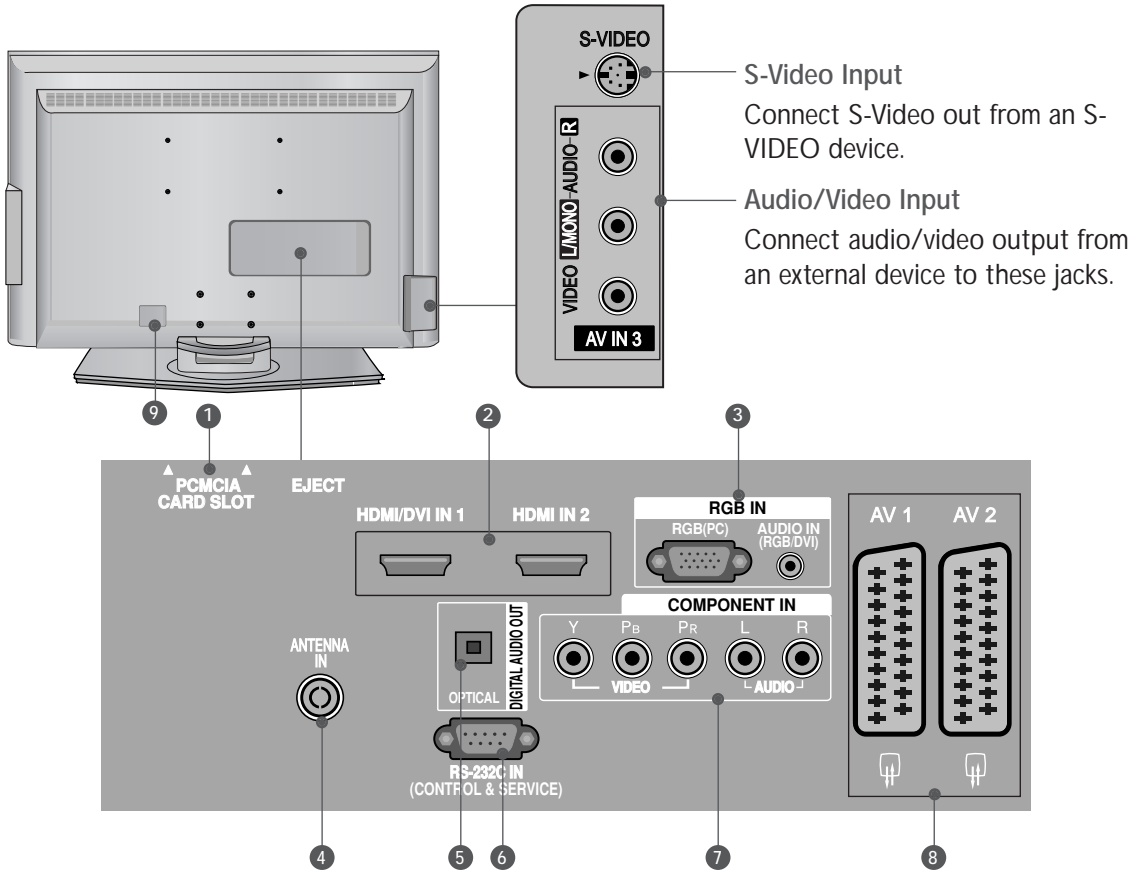
Only 42/50PC3*



- ① PCMCIA (Personal Computer Memory Card International Association) Card Slot
(This feature is not available in all countries.)
- ② HDMI Input
Connect a HDMI signal to HDMI IN.
Or DVI(VIDEO)signal to HDMI/DVI port with DVI to HDMI cable.
- ③ RGB/DVI Audio Input
Connect the monitor output from a PC to the appropriate input port.
- ④ Antenna Input
Connect over-the-air signals to this jack.
- ⑤ DIGITAL AUDIO OUT OPTICAL
Connect digital audio from various types of equipment.
Note: In standby mode, these ports do not work.
- ⑥ RS-232C IN (CONTROL & SERVICE) PORT
Connect to the RS-232C port on a PC.
- ⑦ Component Input
Connect a component video/audio device to these jacks.
- ⑧ Euro Scart Socket (AV1/AV2)
Connect scart socket input or output from an external device to these jacks.
- ⑨ Power Cord Socket
This TV operates on an AC power. The voltage is indicated on the Specifications page. Never attempt to operate the TV on DC power.

LCD TV Models

Except 26/32LB7*

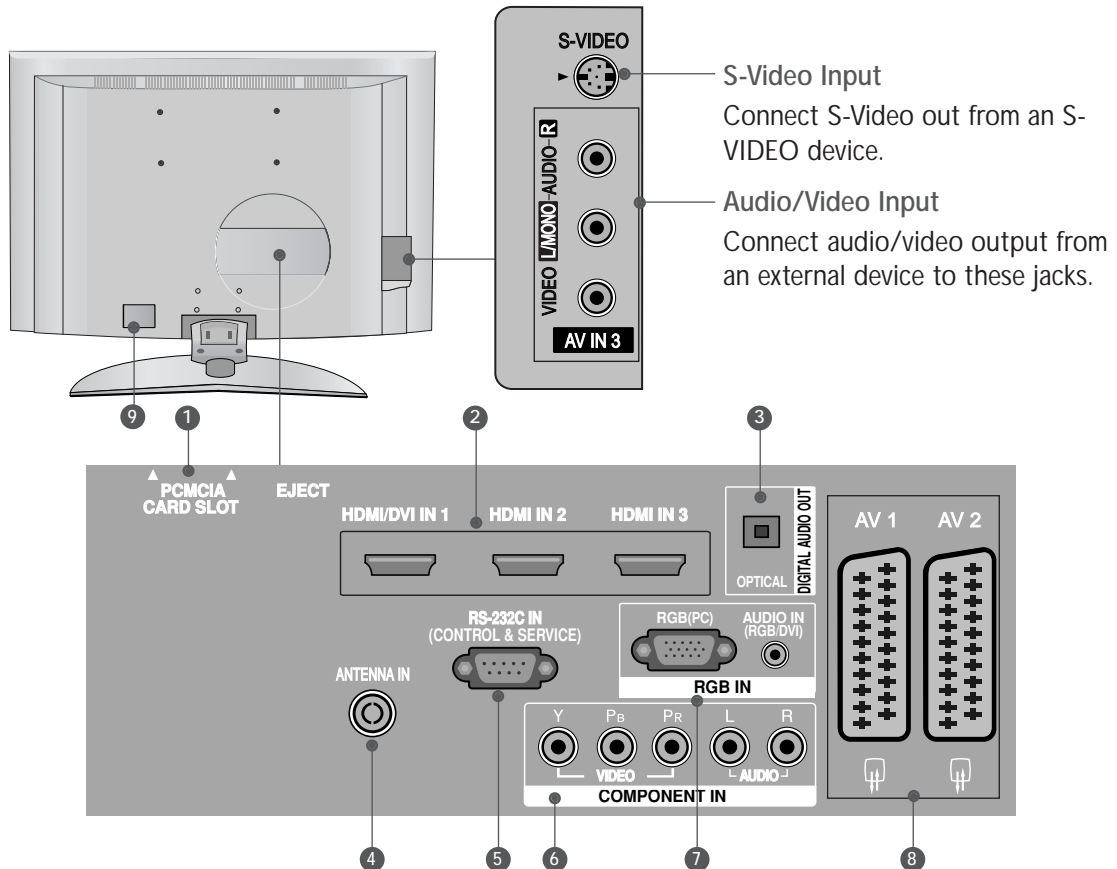


- ① PCMCIA (Personal Computer Memory Card International Association) Card Slot
(This feature is not available in all countries.)
- ② HDMI Input
Connect a HDMI signal to HDMI IN.
Or DVI(VIDEO)signal to HDMI/DVI port with DVI to HDMI cable.
- ③ RGB/DVI Audio Input
Connect the monitor output from a PC to the appropriate input port.
- ④ Antenna Input
Connect over-the-air signals to this jack.
- ⑤ DIGITAL AUDIO OUT OPTICAL
Connect digital audio from various types of equipment.
Note: In standby mode, these ports do not work.
- ⑥ RS-232C IN (CONTROL & SERVICE) PORT
Connect to the RS-232C port on a PC.
- ⑦ Component Input
Connect a component video/audio device to these jacks.
- ⑧ Euro Scart Socket (AV1/AV2)
Connect scart socket input or output from an external device to these jacks.
- ⑨ Power Cord Socket
This TV operates on an AC power. The voltage is indicated on the Specifications page. Never attempt to operate the TV on DC power.

PREPARATION

Only 26/32LB7*

PREPARATION



1 PCMCIA (Personal Computer Memory Card International Association) Card Slot
(This feature is not available in all countries.)

2 HDMI Input
Connect a HDMI signal to HDMI IN.
Or DVI(VIDEO)signal to HDMI/DVI port with DVI to HDMI cable.

3 DIGITAL AUDIO OUT OPTICAL
Connect digital audio from various types of equipment.
Note: In standby mode, these ports do not work.

4 Antenna Input
Connect over-the-air signals to this jack.

5 RS-232C IN (CONTROL & SERVICE) PORT
Connect to the RS-232C port on a PC.

6 Component Input
Connect a component video/audio device to these jacks.

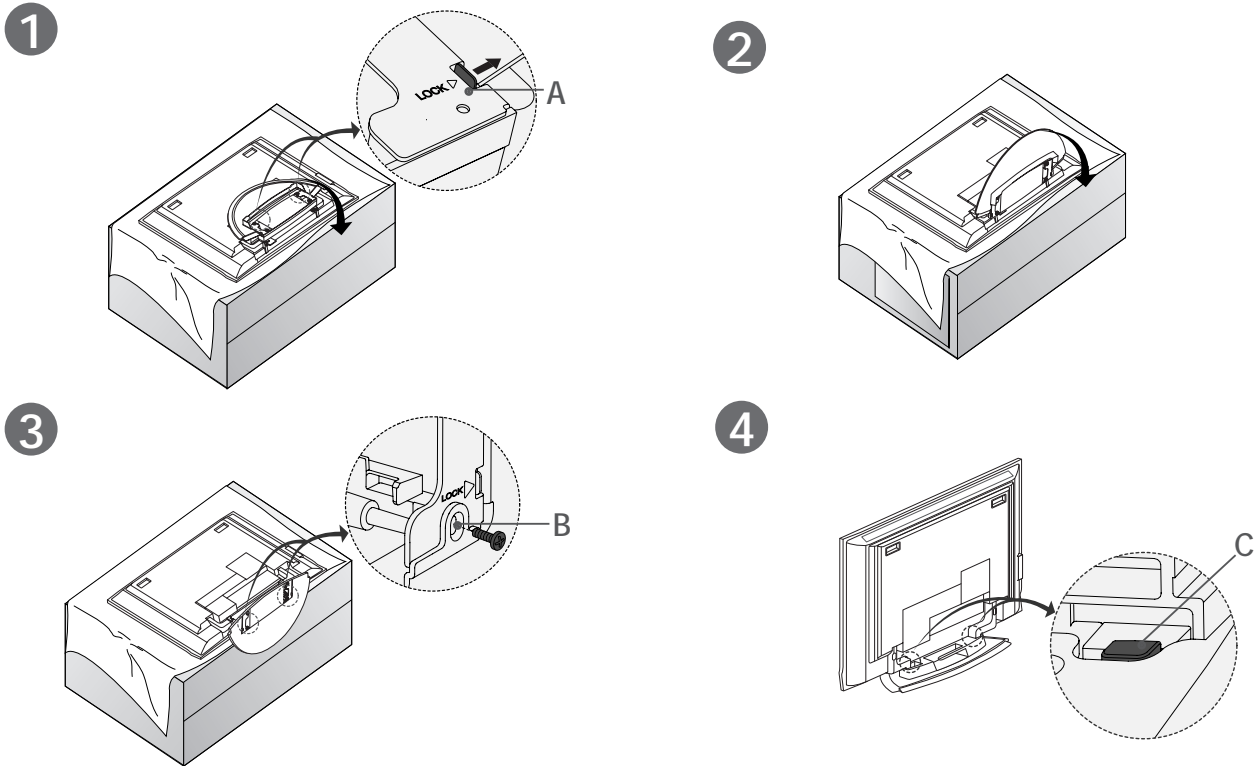
7 RGB/DVI Audio Input
Connect the monitor output from a PC to the appropriate input port.

8 Euro Scart Socket (AV1/AV2)
Connect scart socket input or output from an external device to these jacks.

9 Power Cord Socket
This TV operates on an AC power. The voltage is indicated on the Specifications page. Never attempt to operate the TV on DC power.

STAND INSTALLATION (Only 42/50PC3*)

- This feature is not available for all models.



- Place the set with the screen facing down on a cushion or soft cloth as shown in Figures 1. Before unfolding the stand, please make sure two locks (A) on the bottom of the stand push outward.
- Pull the stand out as shown above in Figures 2 ~ 3. After unfolding the stand, please insert and tighten the screws in the holes (B) on the bottom of the stand.
- When connecting cables to the set, Do not disengage the lock (C). This may cause the set to fall, causing serious bodily injury and serious damage to the set.

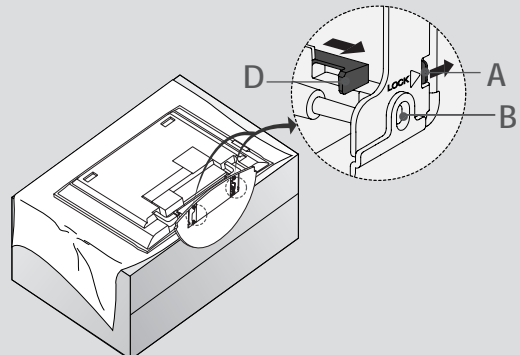
NOTE

Figures shown here may be slightly different from your set.

When closing the stand for storage

First remove the screws in the holes (B) on the bottom of the stand. And then pull two Hooks (D) of the stand bottom and fold the stand into the back of the set.

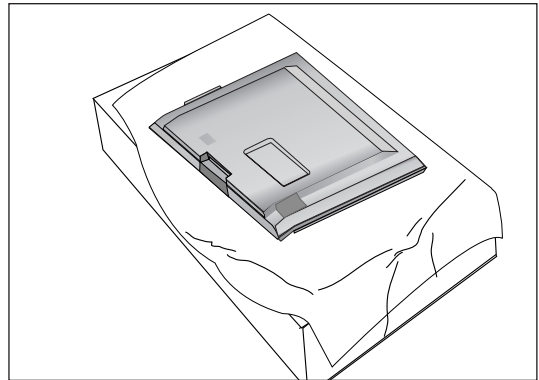
After folding, push two Locks (A) of the stand bottom outward.



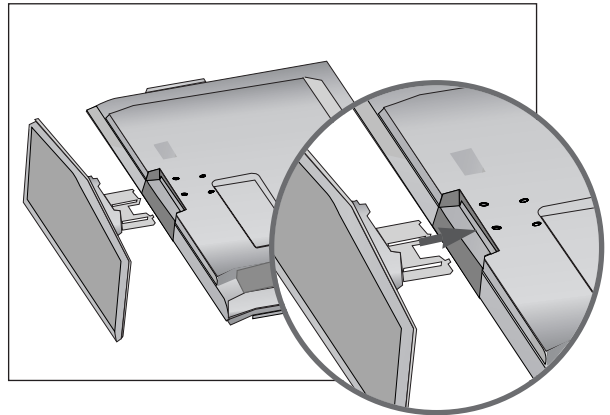
PREPARATION

STAND INSTALLATION (Only 26, 32, 37 inch LCD TV Models)

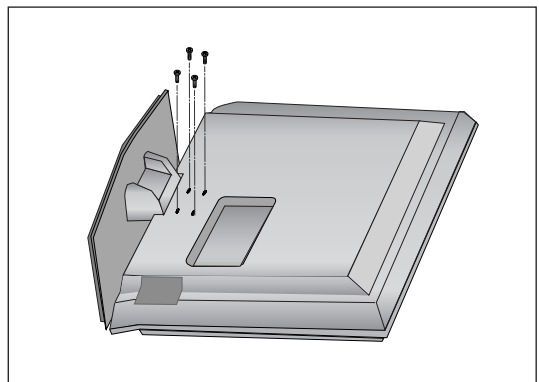
- 1 Carefully place the product screen side down on a cushioned surface that will protect product and screen from damage.



- 2 Assemble the product stand with the product as shown.



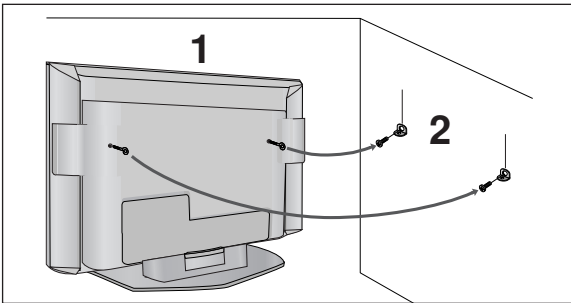
- 3 Install the 4 bolts securely, in the back of the product in the holes provided.



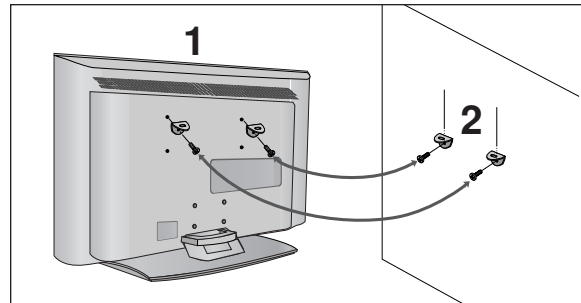
ATTACHING THE TV TO A WALL

- This feature is not available for all models.
- ▲ Set it up close to the wall so the product doesn't fall over when it is pushed backwards.
- ▲ The instructions shown below is a safer way to set up the product, which is to fix it on the wall so the product doesn't fall over when it is pulled in the forward direction. It will prevent the product from falling for-ward and hurting people. It will also prevent the product from damage caused by fall. Please make sure that children don't climb on or hang from the product.

Plasma TV models

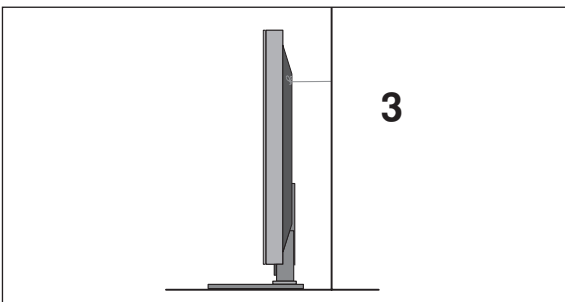


LCD TV models



- 1 Use the eye-bolts or TV brackets/bolts to fix the product to the wall as shown in the picture. (If your product has the bolts in the eye-bolts position before inserting the eye-bolts, loosen the bolts.)
* Insert the eye-bolts or TV brackets/bolts and tighten them securely in the upper holes.

- 2 Secure the wall brackets with the bolts (not provided as parts of the product, must purchase separately) on the wall. Match the height of the bracket that is mounted on the wall.



- 3 Use a sturdy rope (not provided as parts of the product, must purchase separately) to tie the product. It is safer to tie the rope so it becomes horizontal between the wall and the product.

NOTE

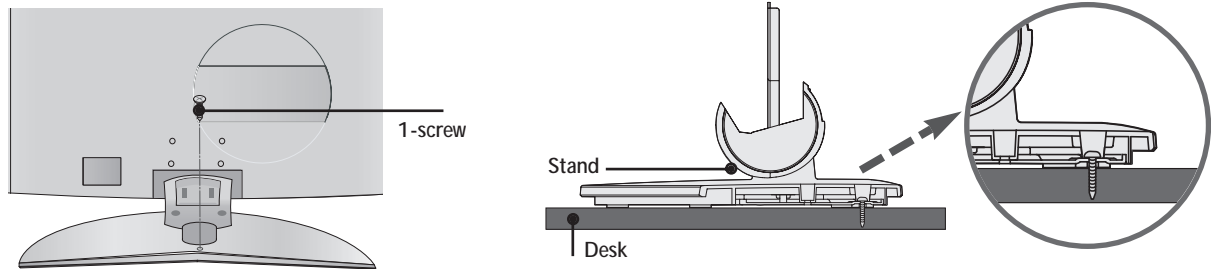
- G When moving the product to another place undo the ropes first.
- G Use a product holder or a cabinet that is big and strong enough for the size and weight of the product.
- G To use the product safely make sure that the height of the bracket that is mounted on the wall is same as that of the product.

PREPARATION

ATTACHING THE TV TO A DESK (Only 26/32LB7* model)

The TV must be attached to desk so it cannot be pulled in a forward/backward direction, potentially causing injury or damaging the product. Use only an attached screw.

PREPARATION



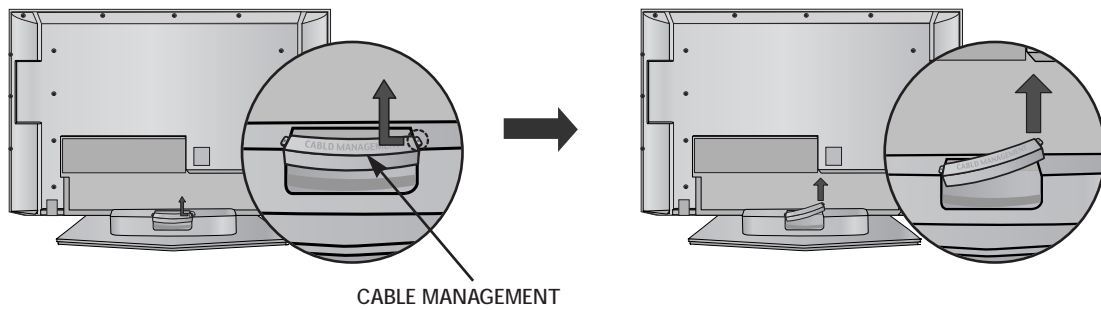
! WARNING

G To prevent TV from falling over, the TV should be securely attached to the floor/wall per installation instructions. Tipping, shaking, or rocking the machine may cause injury.

BACK COVER FOR WIRE ARRANGEMENT

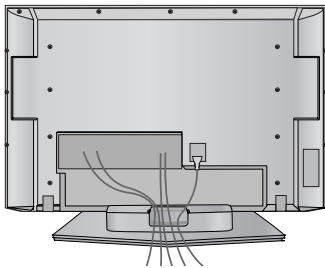
Plasma TV models (Except 42/50PC3*)

- 1 Hold the **CABLE MANAGEMENT** with hands and push it as shown.



- 2 Connect the cables as necessary.

To connect an additional equipment, see the **External equipment Setup** section.



- 3 Reinstall the **CABLE MANAGEMENT** as shown.

