

Model	V-KC902HTM		
Language	English+Arabia		
Page	32	Color(cover/body)	2/1
Material	Weight 100g	Size(W*H)	150 x 220(mm)
Date	2008.06.28	Designer	Zhang Xianli
Part No.	MFL56999611	Description	Owner's manual

Chage Record

No.	Change content	ECO No.	Date	Designer	Confirm
①	add "option" sentence	ACTT805999	08.11.24	ZXL	CUIYT
②					
③					
④					
⑤					
⑥					
⑦					
⑧					
⑨					



OWNER'S MANUAL

V-KC902HT**

New Type Cyclone Vacuum Cleaner

This information contains important instructions for the safe use and maintenance of the vacuum cleaner.

Especially, please read all of the information on page 4,5 for your safety.

Please keep this manual in an easily accessible place and refer to it anytime.





Table of contents

Important safety instructions	4~5
How to use	6
Assembling vacuum cleaner.....	6
Operating vacuum cleaner.....	8
Using carpet and floor nozzle	9
Using All Floor and mini turbine nozzle	10
Using accessory nozzles	11
Emptying dust tank	12
Cleaning dust tank	13
Cleaning air filter and motor safety filter	14
Cleaning exhaust filter	15
What to do if your vacuum cleaner does not work	16
What to do when suction performance decreases	16



IMPORTANT SAFETY INSTRUCTIONS

Read and follow all instructions before using your vacuum cleaner to prevent the risk of fire, electric shock, personal injury, or damage when using the vacuum cleaner. This guide does not cover all possible conditions that may occur. Always contact your service agent or manufacturer about problems that you do not understand. This appliance complies with the following EC Directives: -73/23/EEC, 93/68/EEC-Low Voltage Directive-89/336EEC -EMC Directive.



This is the safety alert symbol.

This symbol alerts you to potential hazards that can kill or hurt you and others.

All safety messages will follow the safety alert symbol and either the word "WARNING" or "CAUTION."

These words mean:



This symbol will alert you to hazards or unsafe practices which could cause serious bodily harm or death.



This symbol will alert you to hazards or unsafe practices which could cause bodily injury or property damage.



• **Do not plug in if control knob is not in OFF position.**
Personal injury or product damage could result.

• **Keep children away and beware of obstructions when rewinding the cord to prevent personal injury**
The cord moves rapidly when rewinding.

• **Disconnect electrical supply before servicing or cleaning the unit or when cleaner is not in use.**
Failure to do so could result in electrical shock or personal injury.

• **Do not use vacuum cleaner to pick up anything that is burning or smoking such as cigarettes, or hot ashes.**
Doing so could result in death, fire or electrical shock.

• **Do not vacuum flammable or explosive substances such as gasoline, benzene, thinners, propane (liquids or gases).**
The fumes from these substances can create a fire hazard or explosion. Doing so could result in death or personal injury.

• **Do not handle plug or vacuum cleaner with wet hands.**
Doing so could result in death or electrical shock.

• **Do not unplug by pulling on cord.**
Doing so could result in product damage or electrical shock. To unplug, grasp the plug, not the cord.

• **Keep hair, loose clothing, fingers, and all parts of the body away from openings and moving parts.**
Failure to do so could result in electrical shock or personal injury.

• **Do not pull or carry by cord, use cord as a handle, close a door on cord, or pull cord around sharp edges or corners. Do not run vacuum cleaner over cord. Keep cord away from heated surfaces.**
Failure to do so could result in electrical shock or personal injury or fire or product damage.

• **The hose contains electrical wires. Do not use it if it is damaged, cut or punctured.**
Failure to do so could result in death, or electrical shock.

• **Do not allow to be used as toy. Close attention is necessary when used by or near children.**
Personal injury or product damage could result.

• **Do not use the vacuum cleaner if the power cord or plug is damaged or faulty.**
Personal injury or product damage could result. In these cases, contact LG Electronics Service Agent to avoid hazard.

• **Do not use vacuum cleaner if it has been under water.**
Personal injury or product damage could result. In these cases, contact LG Electronics Service Agent to avoid hazard.

• **Do not continue to vacuum if any parts appear missing or damaged.**
Personal injury or product damage could result. In these cases, contact LG Electronics Service Agent to avoid hazard.

• **Do not use an extension cord with this vacuum cleaner**
Fire hazard or product damage could result.

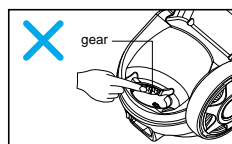
• **Using proper voltage.**
Using improper voltage may result in damage to the motor and possible injury to the user. Proper voltage is listed on the bottom of vacuum cleaner.

• **Turn off all controls before unplugging.**
Failure to do so could result in electrical shock or personal injury.

• **Do not change the plug in any way.**
Failure to do so could result in electrical shock or personal injury or product damage. Doing so result in death. If plug does not fit, contact a qualified electrician to install the proper outlet.

• **Repairs to electrical appliances may only be performed by qualified service engineers.**
Improper repairs may lead to serious hazards for the user.

• **Do not put fingers near the gear.**
Failure to do so could result in personal injury.

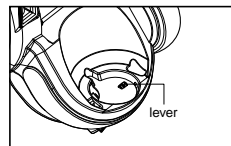


IMPORTANT SAFETY INSTRUCTIONS

CAUTION

- **Do not put any objects into openings.**
Failure to do so could result in product damage.
- **Do not use with any opening blocked: keep free of dust, lint, hair, and anything that may reduce air flow.**
Failure to do so could result in product damage.
- **Do not use vacuum cleaner without dust tank and/or filters in place.**
Failure to do so could result in product damage.
- **Always clean the dust bin after vacuuming carpet cleaners or fresheners, powders and fine dust.**
These products clog the filters, reduce airflow and can cause damage to the cleaner. Failure to clean the dust bin could cause permanent damage to the cleaner.
- **Do not use vacuum cleaner to pick up sharp hard objects, small toys, pins, paper clips, etc.**
They may damage the cleaner or dust bin.
- **Store the vacuum cleaner indoors.**
Put the vacuum cleaner away after use to prevent tripping over it.
- **The vacuum cleaner is not intended to use by young children or infirm people without supervision.**
Failure to do so could result in personal injury or product damage.
- **Only use parts produced or recommended by LG Electronics Service Agents.**
Failure to do so could result in product damage.
- **Use only as described in this manual. Use only with LG recommended or approved attachments and accessories.**
Failure to do so could result in personal injury or product damage.
- **To avoid personal injury and to prevent the machine from falling when cleaning stairs, always place it at the bottom of stairs.**
Failure to do so could result in personal injury or product damage.
- **Use accessory nozzles in sofa mode.**
Failure to do so could result in product damage.
- **Don't grasp the tank handle when you are moving the vacuum cleaner.**
The vacuum cleaner's body may fall when separating tank and body. Personal injury or product damage could result. **You should grasp the carrier handle** when you are moving the vacuum cleaner.
- **If after emptying the dust tank the indicator light is on (red), clean the dust tank.**
Failure to do so could result in product damage.
- **Make sure the filters (exhaust filter and motor safety filter) are completely dry before replacing in the machine.**
Failure to do so could result in product damage.
- **Do not dry the filter in an oven or microwave.**
Failure to do so could result in fire hazard.
- **Do not dry the filter in a clothes dryer.**
Failure to do so could result in fire hazard.
- **Do not dry near an open flame.**
Failure to do so could result in fire hazard.
- **Do not push or pull the lever on the vacuum cleaner**
If the lever is damaged, the vacuum cleaner may not work properly and indicator light may flash red and alarm may sound although dust tank is not full. In this case, contact LG Electronics Service Agent

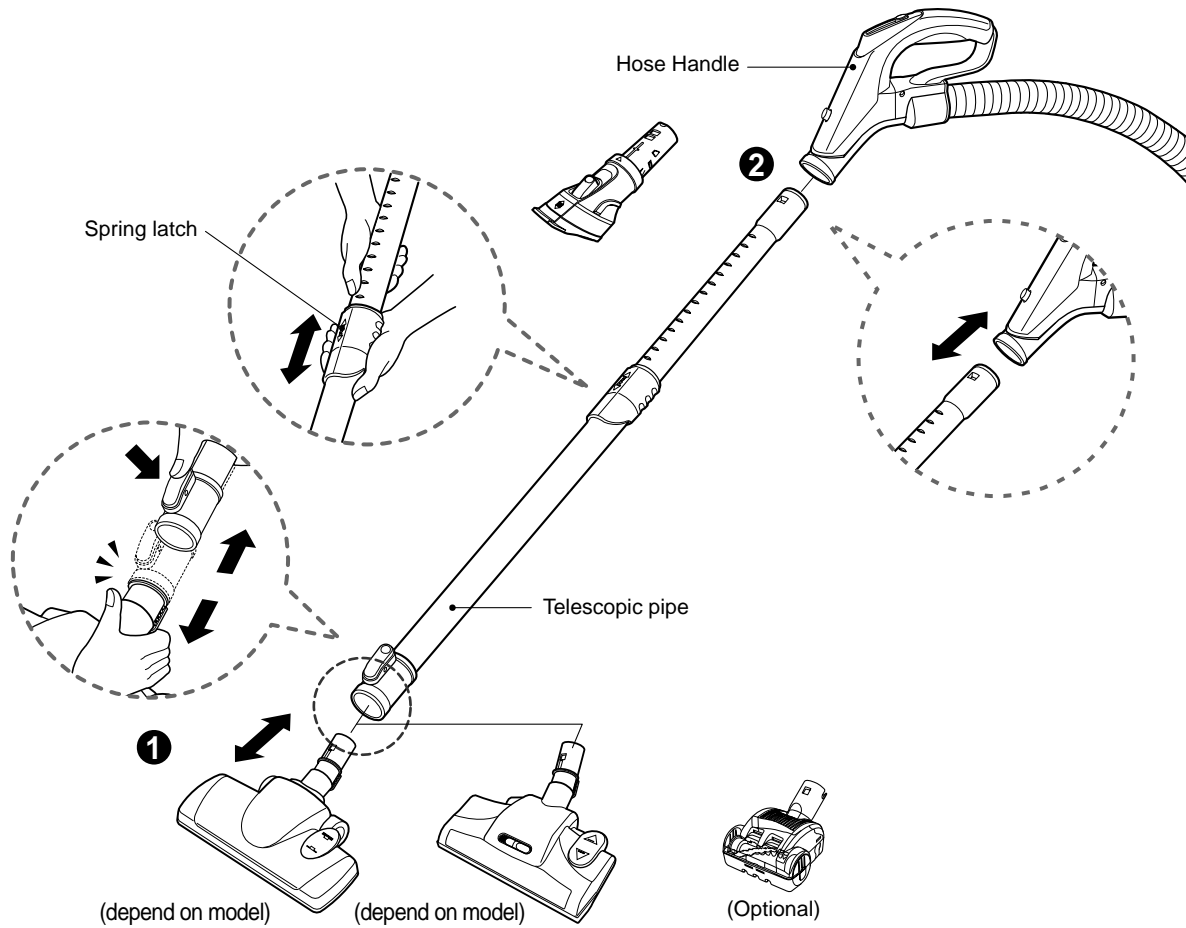
<Do not push or pull the lever>



Thermal protector :

This vacuum cleaner has a special thermostat that protects the vacuum cleaner in case of motor overheating. If the vacuum cleaner suddenly shuts off, turn off the switch and unplug the vacuum cleaner. Check the vacuum cleaner for possible source of overheating such as a full dust tank, a blocked hose or clogged filter. If these conditions are found, fix them and wait at least 30 minutes before attempting to use the vacuum cleaner. After the 30 minute period, plug the vacuum cleaner back in and turn on the switch. If the vacuum cleaner still does not run, contact a qualified electrician.

How to use **Assembling vacuum cleaner**

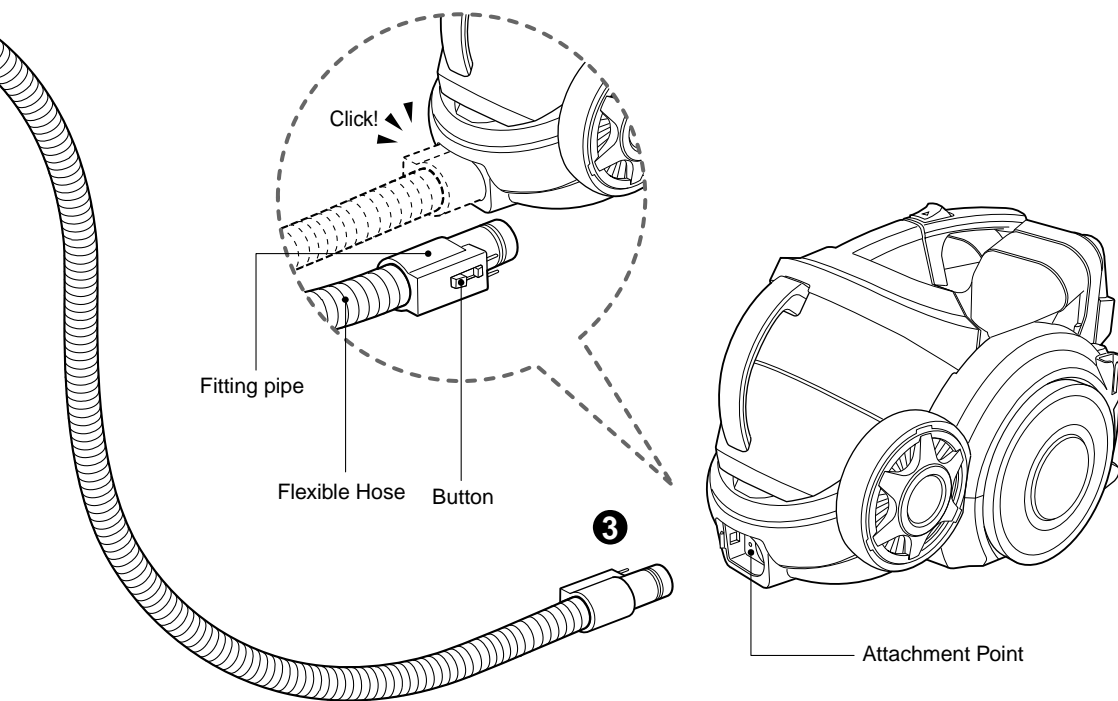


① Carpet and floor nozzle (depend on model)

Push the nozzle into the telescopic pipe.

② Telescopic pipe

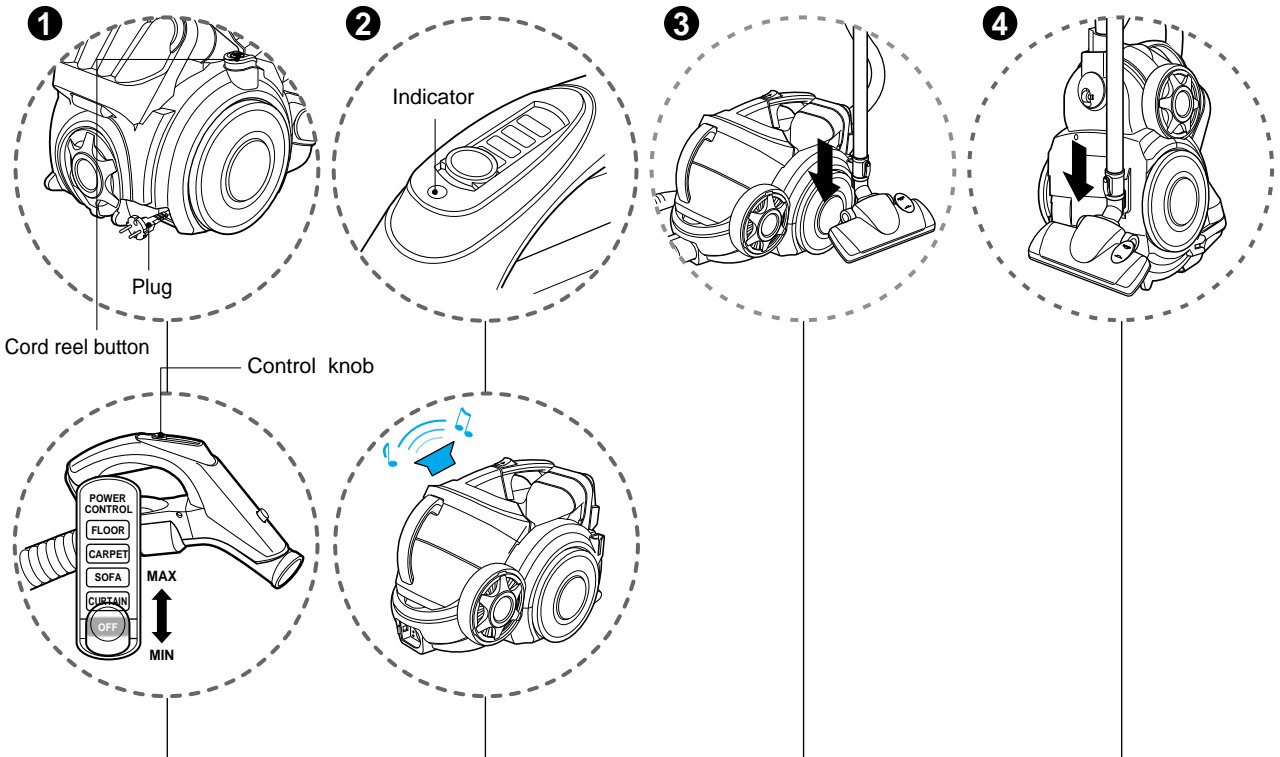
- Push telescopic pipe firmly into hose handle.
- Grasp the spring latch to expand.
- Pull out the pipe to desired length.



3 Connecting the hose to the vacuum cleaner

Push the fitting pipe on the flexible hose into the attachment point on the vacuum cleaner. To remove the flexible hose from the vacuum cleaner, press the button situated on the fitting pipe, then pull the fitting pipe out of the vacuum cleaner.

How to use Operating vacuum cleaner



1 How to operate

- Pull out the power cord to the desired length and plug into the socket.
- Place the control knob of the hose handle to the required position.
- To turn off, slide control knob to OFF position.
- Press the cord reel button to rewind the power cord after use.

2 Indicator and alarm sound

- The indicator light of the hose handle is on and alarm will sound when dust tank is full. After about 2 minutes, vacuum cleaner will turn itself off and alarm will sound. Empty the dust tank and reuse the vacuum cleaner

3 Park mode

- To store during vacuuming, for example to move a small piece of furniture or a rug, use park mode to support the flexible hose and nozzle.
 - Slide the hook on the nozzle into the slot on the side of vacuum cleaner.

4 Storage

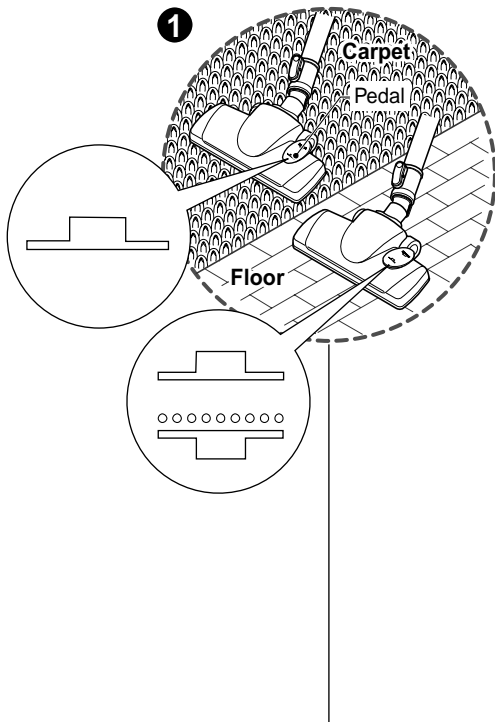
- When you have switched off and unplugged the vacuum cleaner, press the cord reel button to automatically rewind the cord.
- You can store your vacuum cleaner in a vertical position by sliding the hook on the nozzle into the slot on the underside of the vacuum cleaner.

NOTICE

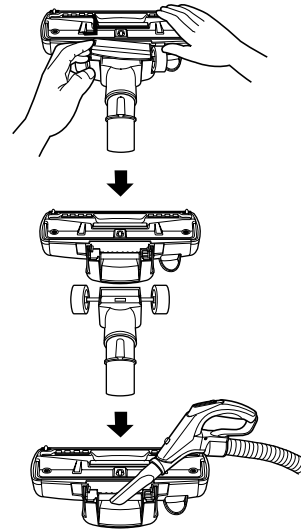
When indicator light flashes and alarm sounds :

1. Dust tank is full
 - ➔ slide handle knob to OFF position and empty dust tank
2. Power is on without dust tank
 - ➔ slide handle knob to OFF position and reattach dust tank
3. Rotating plate in the dust tank is restricted because of obstruction
 - ➔ slide handle knob to OFF position and remove obstruction

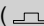
How to use Using carpet and floor nozzle



• Cleaning carpet and floor nozzle

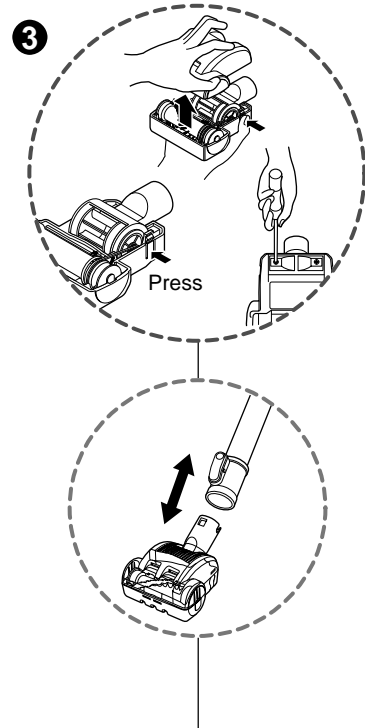
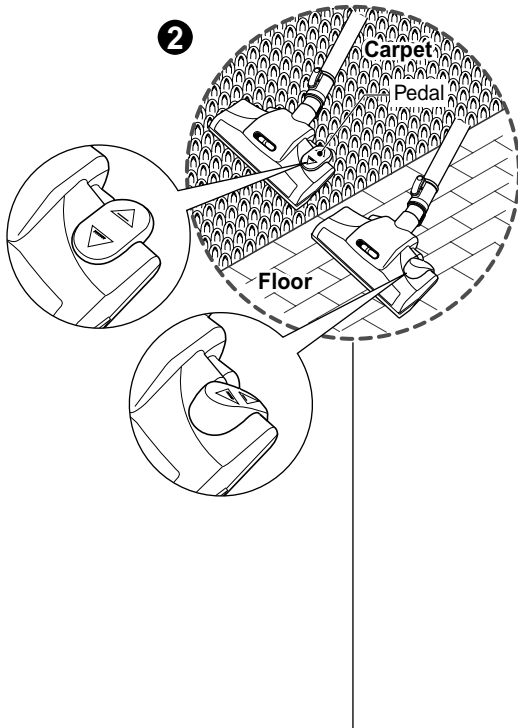


1 Carpet and floor nozzle (depend on model)

- **The 2 position nozzle**
This is equipped with a pedal which allows you to alter its position according to the type of floor to be cleaned.
- **Carpet or rug position**
press the pedal () to lower brush.
- **Hard floor position** (tiles, parquets floor)
Both pedal position are suitable.

- Open the cover by pulling the hook.
- ↓
- Separate the nozzle into two parts
- ↓
- Clean the hole of the nozzle.

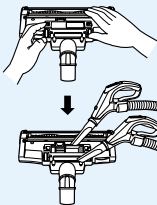
How to use Using All Floor nozzle and mini turbine nozzle



2 All Floor nozzle (depend on model)

- **The 2 position nozzle**
This is equipped with a pedal which allows you to alter its position according to the type of floor to be cleaned.
- **Carpet or rug position**
Press the pedal (▲), then brush will rotate
- **Hard floor position**
Press the pedal (△), then brush will stop rotating

• Cleaning All Floor nozzle



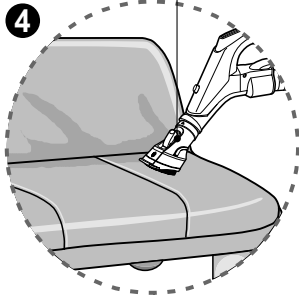
- Open the cover by pulling the hook.
- Clean the hole and brush of the nozzle.

3 Mini turbine nozzle (optional)

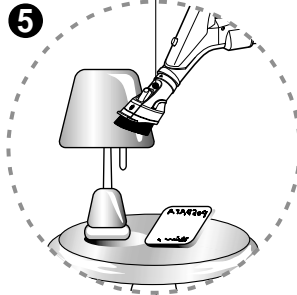
- Mini turbine is used for stairs and other hard to reach places.
- To clean the mini turbine nozzle, remove the nozzle cover :
Remove 2 screws on the bottom and take mini turbine nozzle cover off as shown.
- Frequently clean and remove hair, string, and lint build-up in the brush area. Failure to do so could damage to mini turbine nozzle.

How to use Using accessory nozzles

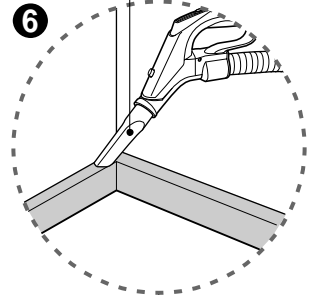
Upholstery nozzle



Dusting brush

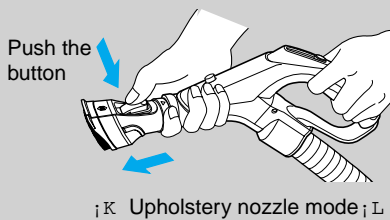


Crevice tool



4 Upholstery nozzle

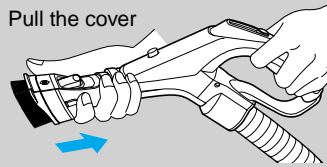
Upholstery nozzle is for vacuuming upholstery, mattresses etc.



⌋K Upholstery nozzle mode ⌋L

5 Dusting brush

Dusting brush is for vacuuming picture frames, furniture frames, books and other irregular surfaces.



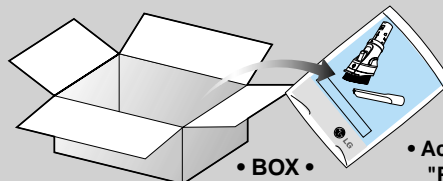
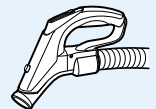
⌋K Dusting brush mode ⌋L

6 Crevice tool

Crevice tool is for vacuuming in those normally hard-to-reach places such as reaching cobwebs or between the cushions of a sofa.

NOTICE

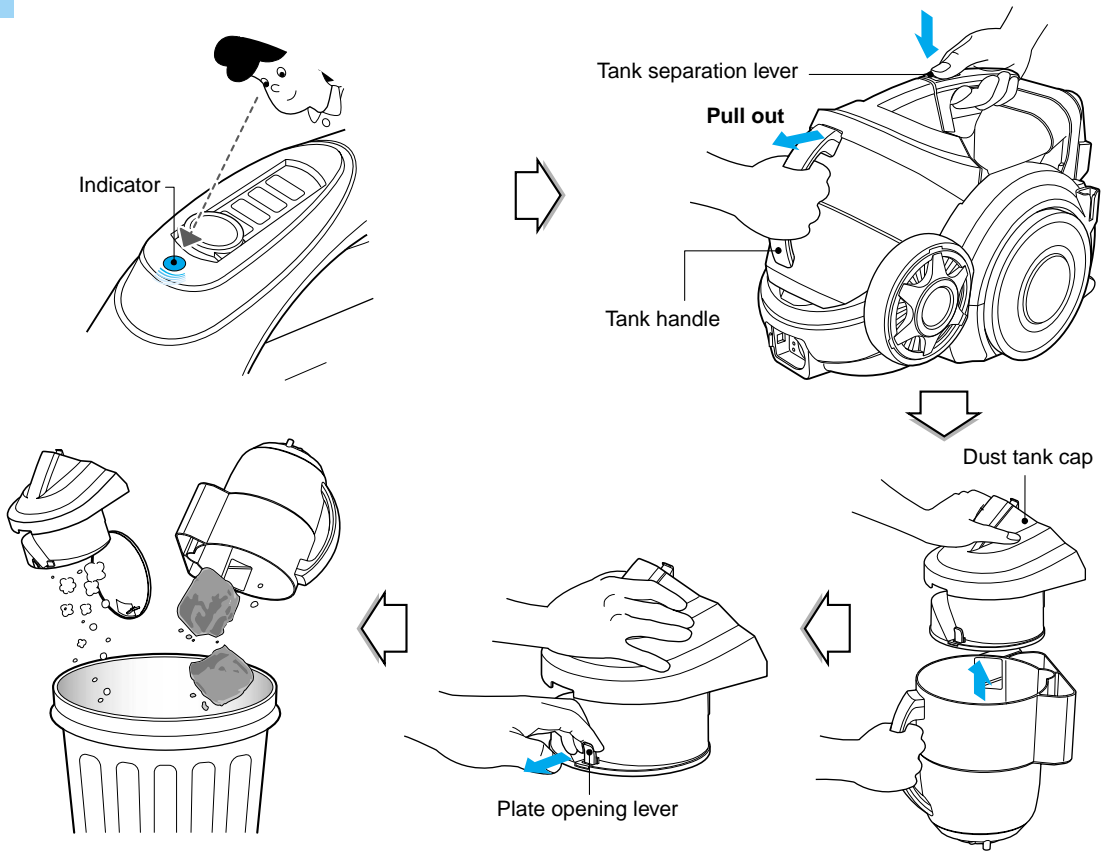
Use accessory in the sofa mode



• BOX •

• Accessory nozzles included in the "PE BAG" with owner's manual.

How to use Emptying dust tank

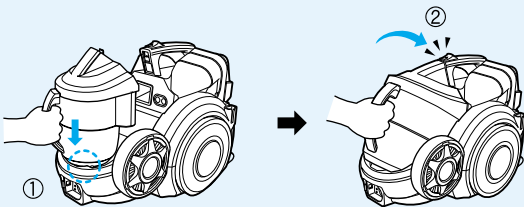


The dust tank needs emptying when indicator light is on.

- Turn off the vacuum cleaner and unplug it.
- Grasp the handle of the tank and then press the tank separation lever.
- Pull out the dust tank.
- Empty the tank and then assemble the dust tank as below

Assembling dust tank

First, place the bottom of dust tank on the vacuum cleaner and tilt.



NOTICE

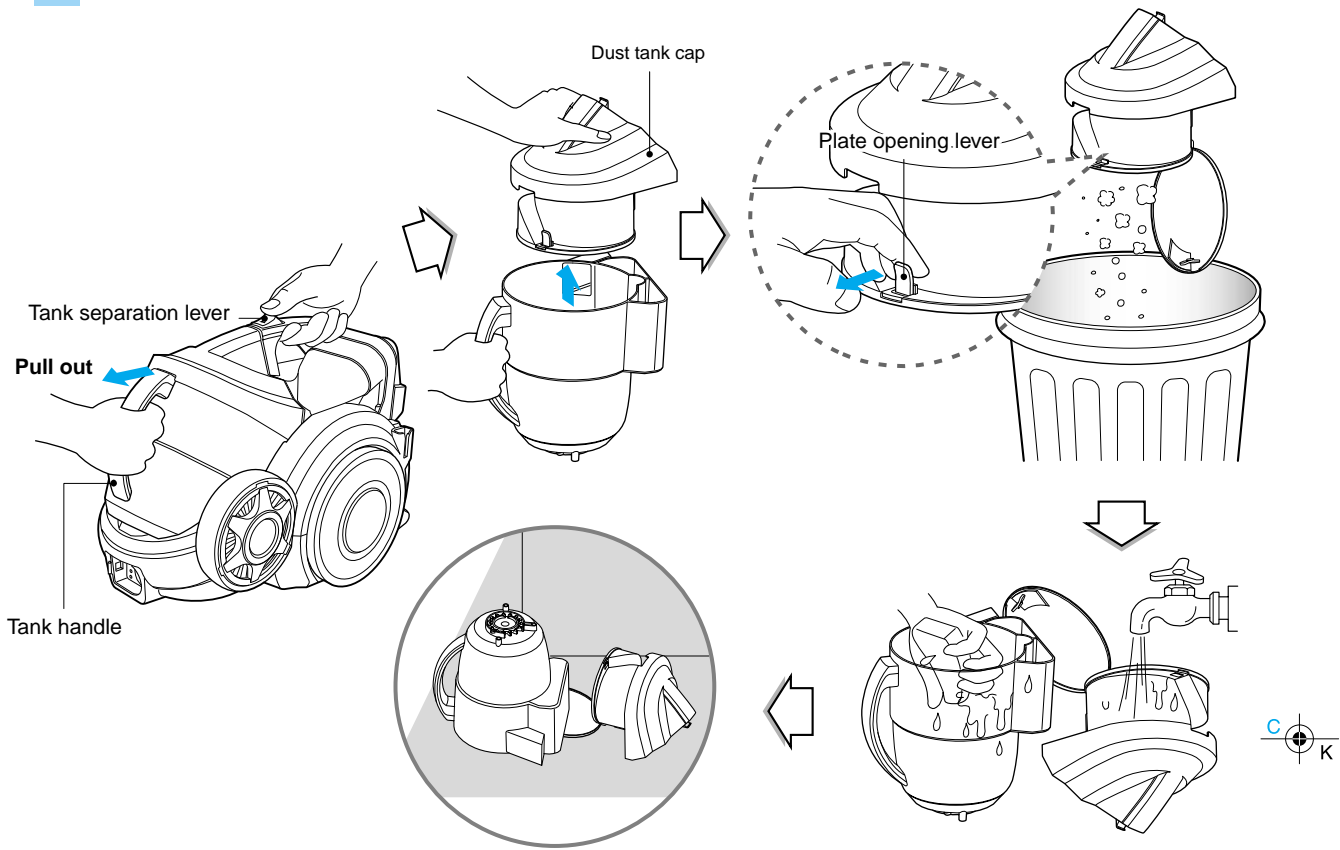
- If suction power decreases after emptying dust tank, clean dust tank → next page
- **Since dust tank is full, indicator continues to flash for 2~3 minutes and suction power will decrease for a while, then vacuum cleaner will turn itself off.**

Moving the vacuum cleaner

- Don't grasp the tank handle when you are moving the vacuum cleaner. The vacuum cleaner's body may fall when separating tank and body. You should grasp the carrier handle when you are moving the vacuum cleaner.



How to use Cleaning dust tank

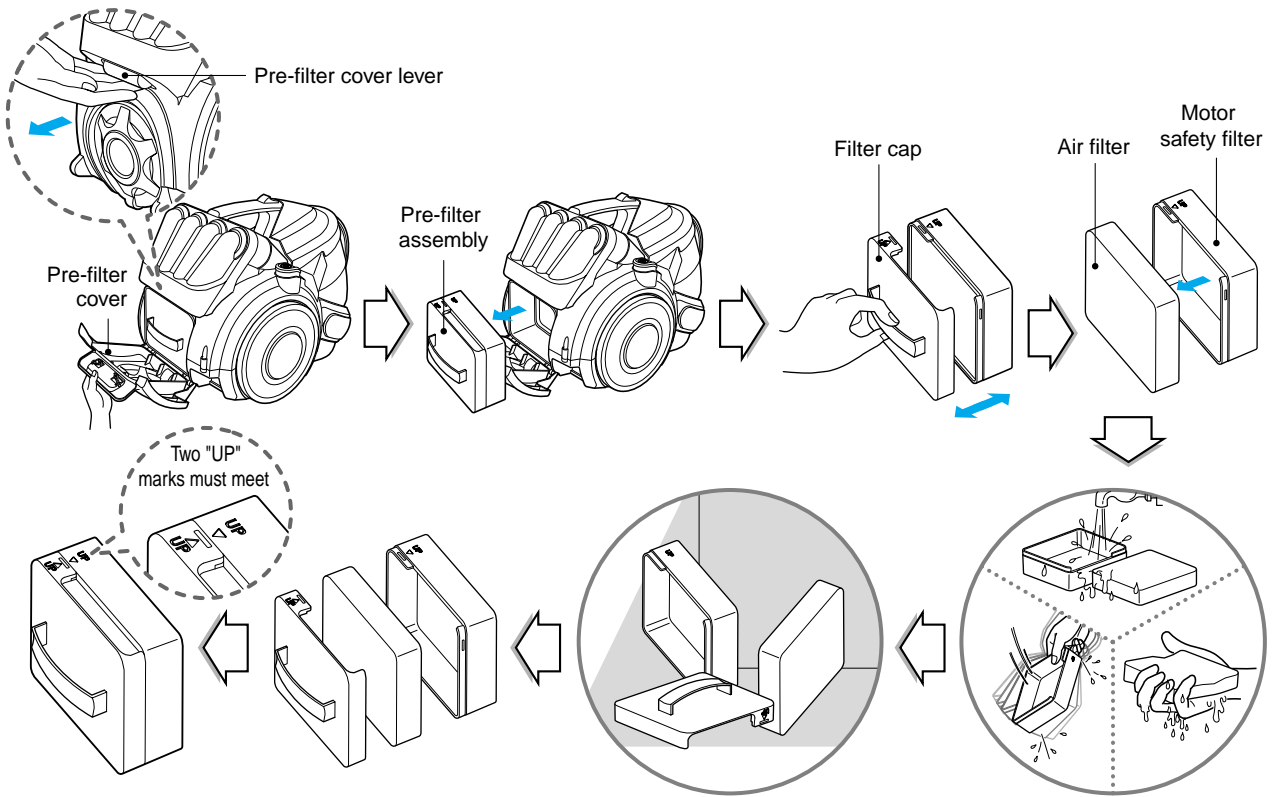


- Press tank separation lever and pull out dust tank.
- Raise dust tank cap
- Dry fully in shade so that moisture is entirely removed.

NOTICE

If suction power decreases after cleaning dust tank, clean air filter and motor safety filter. ➔ Next page

How to use Cleaning air filter and motor safety filter



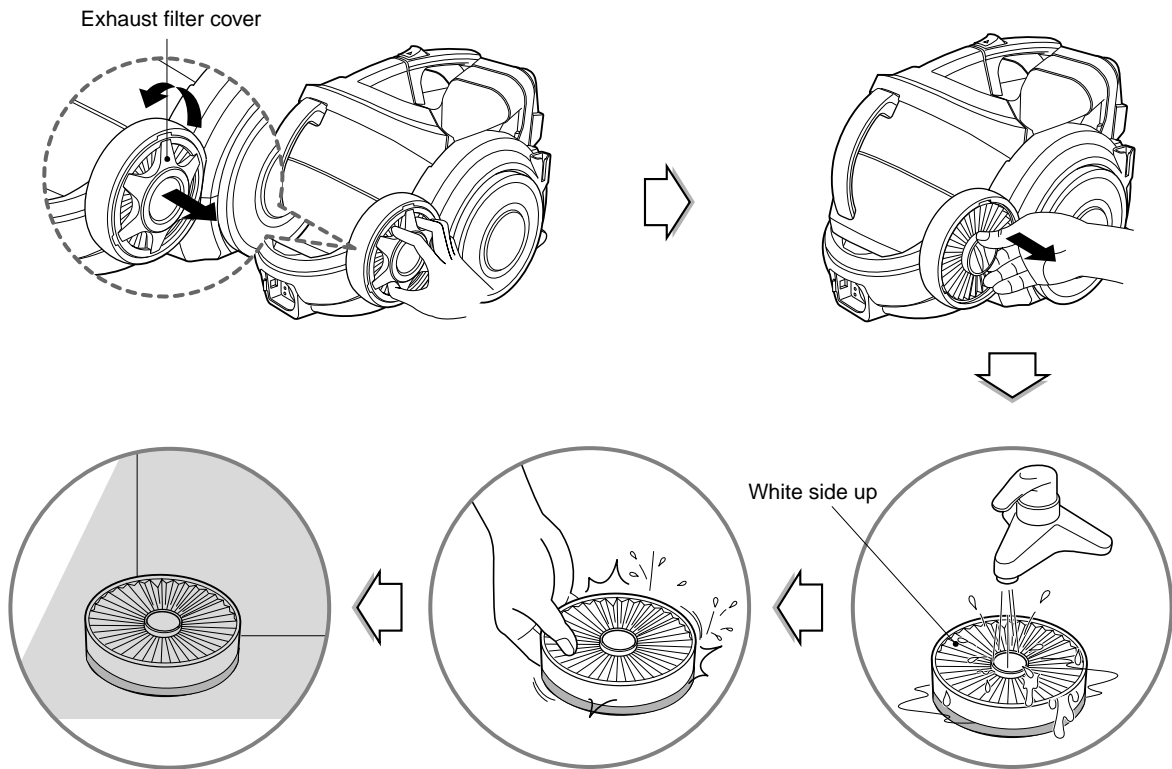
If suction power is decreased after cleaning dust tank, clean air filter and motor safety filter. Air filter and motor safety filter are located at the back of vacuum cleaner in the above figure.

- Open the pre filter cover by pulling the pre filter cover lever and take out pre filter assembly
- Separate the parts
- Wash air filter and motor safety filter with water
- Do not wash filters with hot water.
- Dry fully in shade so that moisture is entirely removed.
- Air filter and motor safety filter should be cleaned in the above case.

NOTICE

If filters are damaged, do not use them.
In this cases, contact LG Electronics Service Agent.

How to use Cleaning exhaust filter



- The exhaust filter is a washable and reusable HEPA filter.
- To clean the exhaust filter, remove the exhaust filter cover on the body by rotating it counterclockwise.
- Separate the exhaust filter.
- Wash the filter cleanly in flowing water.
- Remove moisture.
- **When filter is washed, make sure not to wash green side of filter**
- Dry fully in shade so that moisture is entirely removed.
- The exhaust filter should be cleaned at least once a year.

Exhaust filter cover assembling

- Fit exhaust filter cover lugs to the grooves of vacuum cleaner body
- Join it to the body by rotating it clockwise.



What to do if your vacuum cleaner does not work

Check that the vacuum cleaner is plugged in correctly and that the electrical socket is working.

What to do when suction performance decreases

- Turn off the vacuum cleaner and unplug it.
- Check the telescopic pipe, flexible hose and cleaning tool for blockages or obstructions.
- Check that the dust tank is not full. Empty if necessary.
- Check that the exhaust filter is not clogged. Clean the exhaust filter if necessary.
- Check that the air filter is not clogged. Clean the air filter if necessary.

ما يجب فعله عند توقف المكنسة الكهربائية عن العمل

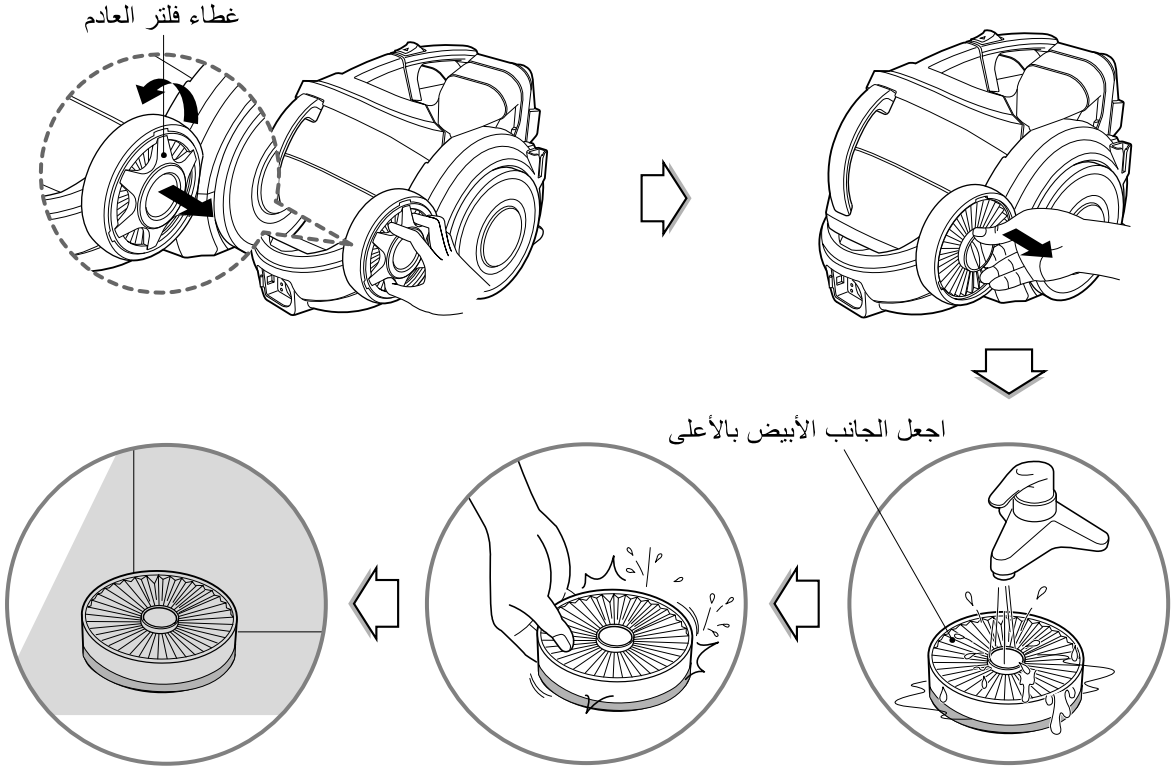
تأكد من توصيل المكنسة الكهربائية بمأخذ التيار بشكل صحيح ومن عمل مقبس التيار الكهربائي.

ما يجب فعله عند انخفاض أداء الشفط

- أوقف تشغيل المكنسة الكهربائية وانزعها من القابس.
- افحص الأنبوب المتداخل والخرطوم المرن وأداة التنظيف لاكتشاف العوائق والعقبات.
- تأكد من عدم امتلاء حاوية الأتربة. قم بتفريغها عند الضرورة.
- تأكد من عدم انسداد فلتر العادم. قم بتنظيف فلتر العادم عند الضرورة.
- تأكد من عدم انسداد فلتر الهواء. قم بتنظيف فلتر الهواء عند الضرورة.



طريقة الاستخدام تنظيف فلتر العادم

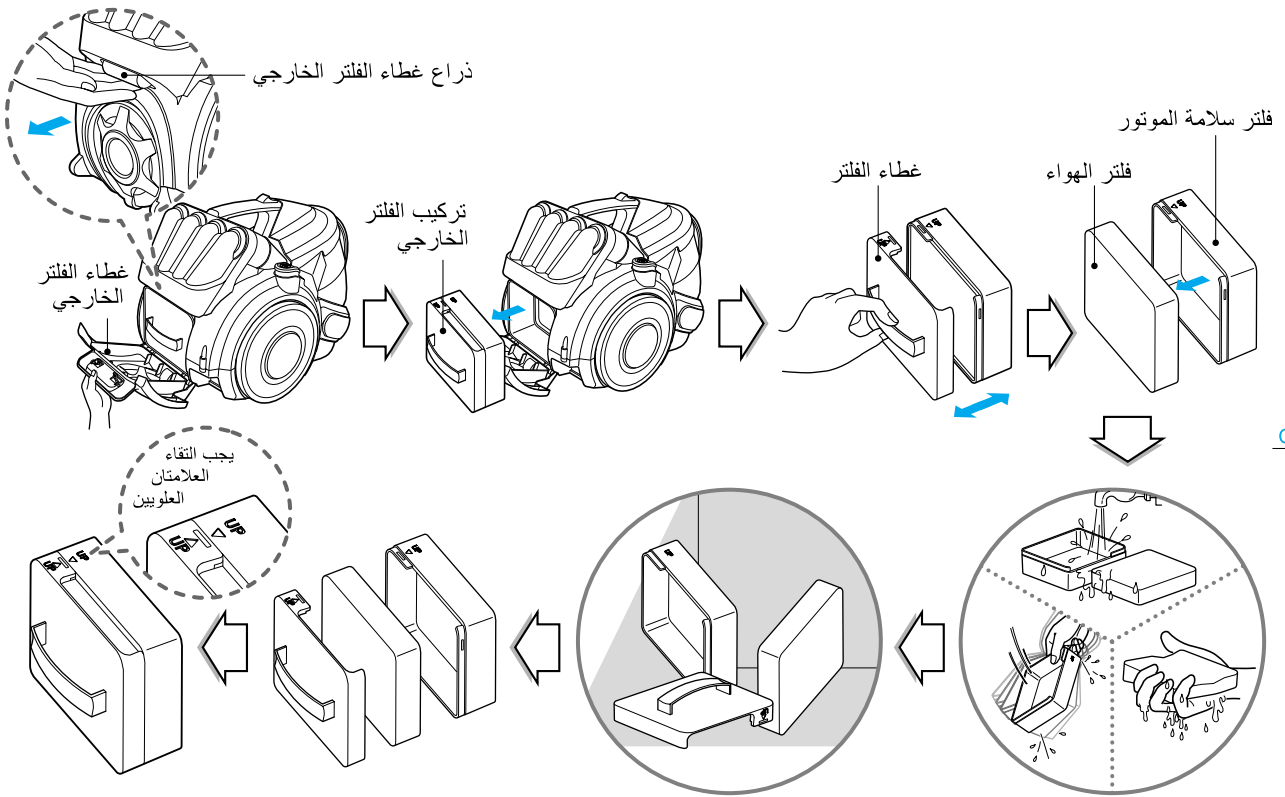


- فلتر العادم هو فلتر HEPA قابل للغسيل والاستخدام مرة أخرى.
- لتنظيف فلتر العادم، ارفع غطاء فلتر العادم الموجود فوق بنية الفلتر عن طريق إدارته عكس اتجاه عقارب الساعة.
- افصل فلتر العادم.
- اغسل الفلتر في الماء الجاري.
- أزل الرطوبة.
- عند غسل الفلتر، تأكد من عدم غسل الجانب الأخضر من الفلتر.
- جففه تمامًا في الظل حتى تتم إزالة الرطوبة تمامًا.
- يجب تنظيف فلتر العادم مرة كل عام على الأقل.

تركيب غطاء فلتر العادم

- قم بتركيب عرواي غطاء فلتر العادم بالأخاديد الموجودة في بنية المكنسة الكهربائية.
- اربطه ببنية الفلتر عن طريق إدارته باتجاه عقارب الساعة.

طريقة الاستخدام تنظيف فلتر الهواء و فلتر سلامة الموتور

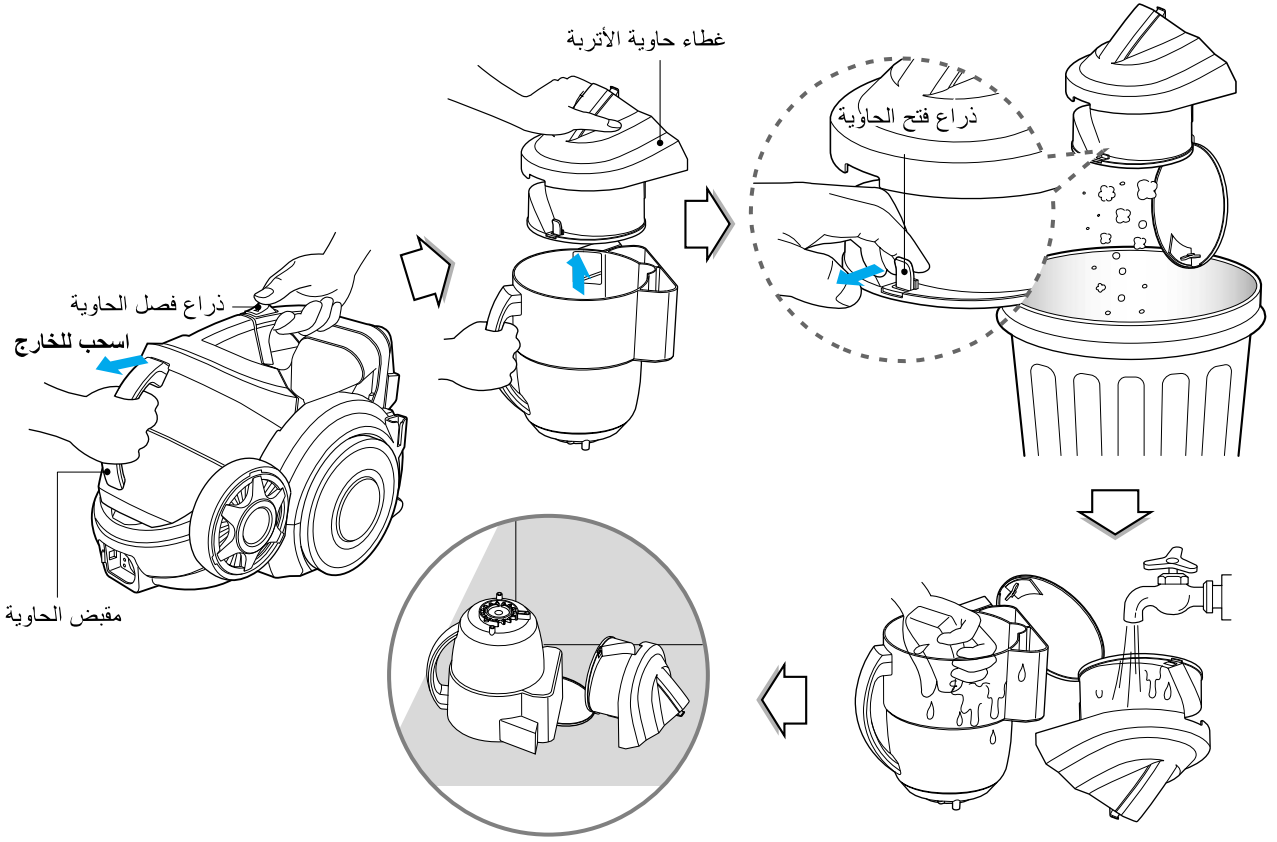


- إذا قلت قوة الشفط عقب تنظيف حاوية الأتربة، قم بتنظيف فلتر الهواء و فلتر سلامة الموتور .
في الشكل الموجودة أعلاه يقع فلتر الهواء و فلتر سلامة الموتور في الجانب الخلفي من المكنسة الكهربائية.
- افتح غطاء الفلتر الخارجي عن طريق سحب غطاء الفلتر الخارجي وقم بإخراج مجموعة أجزائه
 - افصل الأجزاء
 - اغسل فلتر الهواء و فلتر سلامة الموتور بالماء
 - لا تغسل الفلاتر بالماء الساخن.
 - جففها تمامًا في الظل حتى تتم إزالة الرطوبة تمامًا.
 - في الحالة السابقة ينبغي تنظيف فلتر الهواء و فلتر سلامة الموتور .

ملحوظة

لا تستخدم الفلاتر، إذا تلفت.
في مثل هذه الحالات، اتصل بوكيل صيانة إلكترونيات LG.

طريقة الاستخدام تنظيف حاوية الأتربة

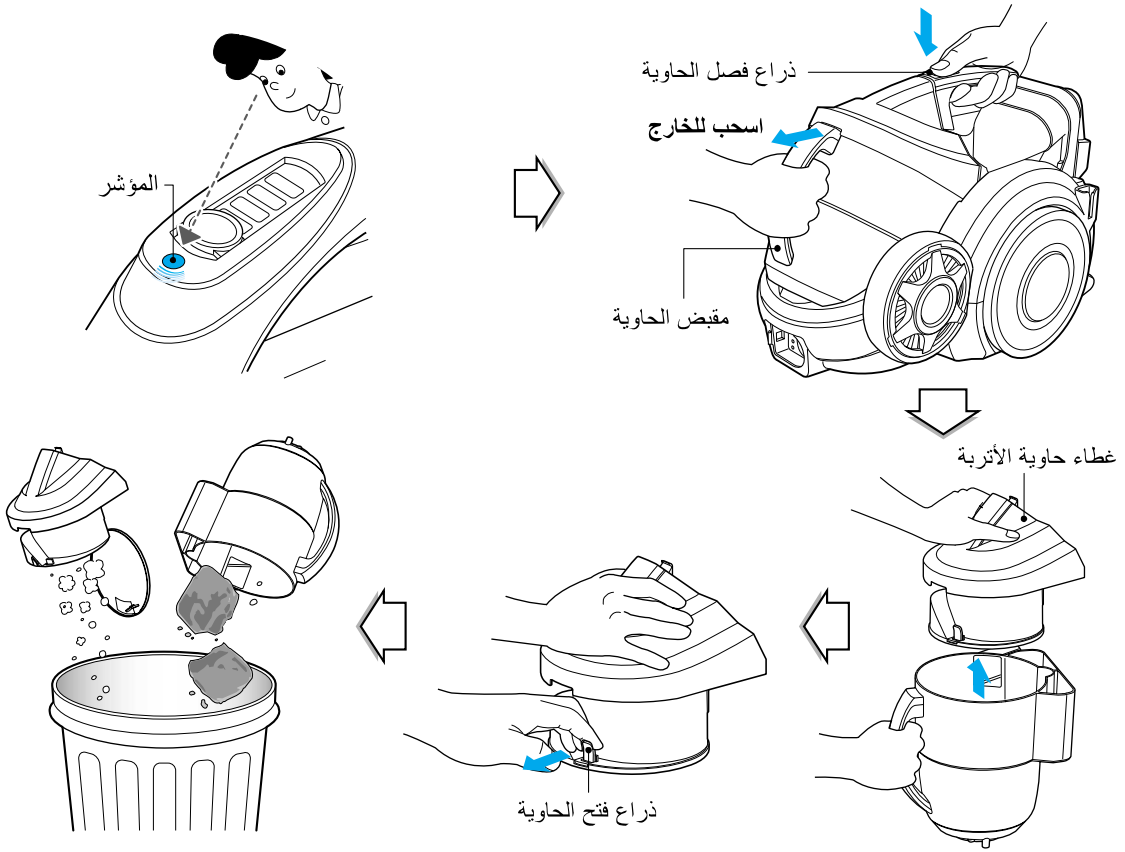


ملحوظة

إذا قلت قوة الشفط عقب تنظيف حاوية الأتربة،
قم بتنظيف فلتر الهواء وقلتر سلامة الموتور.
← الصفحة التالية

- اضغط على ذراع فصل الحاوية واسحب حاوية الأتربة للخارج.
- ارفع غطاء حاوية الأتربة
- جففه بالكامل في الظل حتى تتم إزالة الرطوبة تمامًا.

طريقة الاستخدام تفريغ حاوية الأتربة

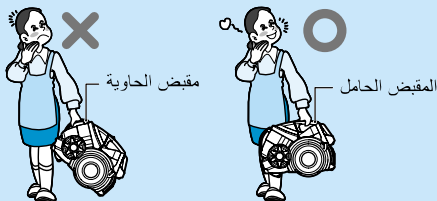


ملحوظة

- إذا قلت قوة الشفط عقب تفريغ حاوية الأتربة، قم بتفريغ حاوية الأتربة ← الصفحة التالية
- عند امتلاء حاوية الأتربة، سيستمر المؤشر في الو ميض لمدة 2-3 دقائق وتقل قوة الشفط لفترة يتوقف بعدها تشغيل المكنسة الكهربائية تلقائياً.

تحريك المكنسة الكهربائية

- لا تمسك بمقبض الحاوية عند تحريك المكنسة الكهربائية. قد تسقط بنية المكنسة الكهربائية عند فصل الحاوية وبنية المكنسة. ينبغي عليك أن تمسك بالمقبض الحامل عندما تقوم بتحريك المكنسة الكهربائية.

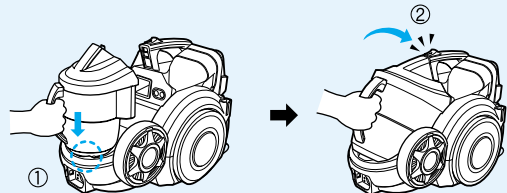


ينبغي تفريغ حاوية الأتربة عندما يضيء المؤشر.

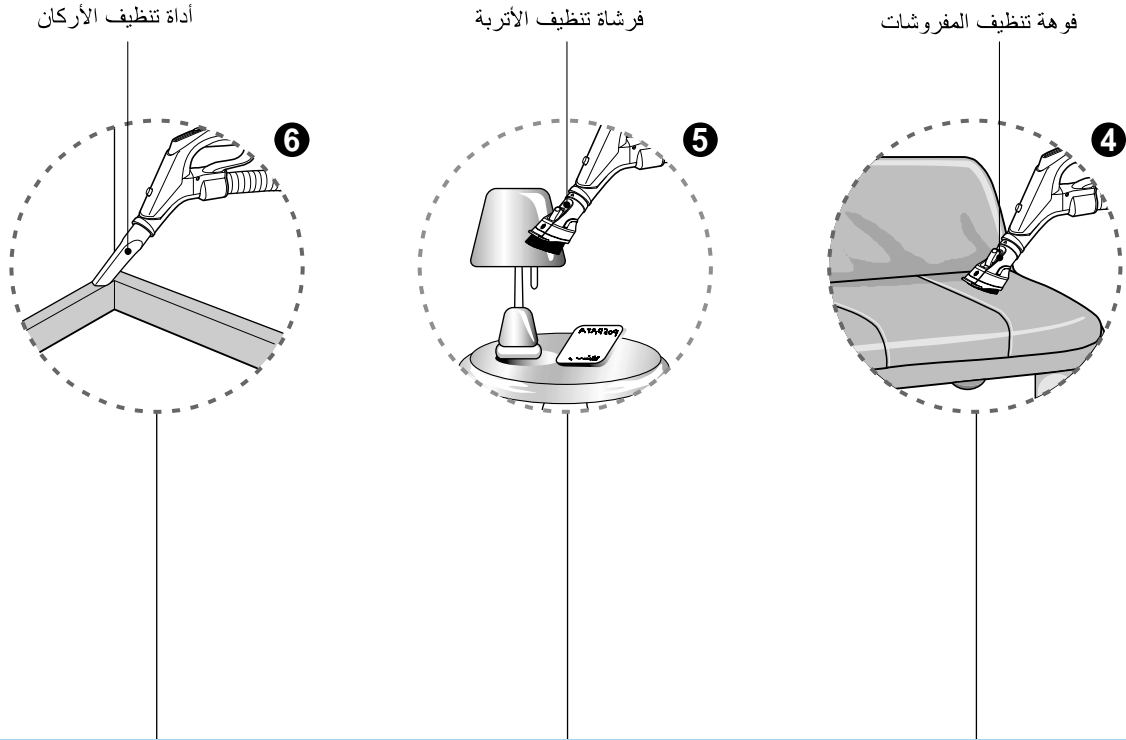
- أوقف تشغيل المكنسة الكهربائية وانزعها من القابس.
- أمسك مقبض الحاوية ثم اضغط على ذراع فصل الحاوية.
- اسحب الحاوية إلى الخارج.
- قم بتفريغ الحاوية ثم قم بتركيب حاوية الأتربة كما هو وارد أدناه.

تركيب حاوية الأتربة

قم أولاً، بوضع الجزء السفلي من حاوية الأتربة في المكنسة الكهربائية وقم بإمالتها.



طريقة الاستخدام استخدام الفوهات الإضافية



4 فوهة تنظيف المفروشات 5 فرشاة تنظيف الأتربة 6 أداة تنظيف الأركان

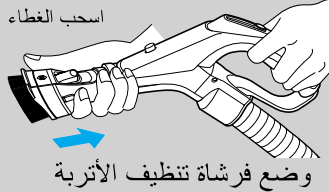
تستخدم فوهة تنظيف المفروشات لتنظيف المفروشات و
المراتب، الخ.

تستخدم فرشاة تنظيف الأتربة لتنظيف
إطارات الصور وقطع الأثاث والكتب و
غيرها من الأسطح غير منتظمة الشكل.

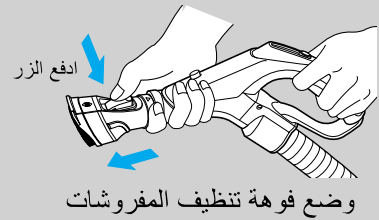
تستخدم أداة تنظيف الأركان في تنظيف
الأماكن التي يصعب الوصول إليها
بالطرق العادية مثل الوصول إلى
أركان الأسقف أو بين وسائد قطع الأثاث.

ملحوظة

استخدم الفوهة الإضافية في وضع
قطع الأثاث

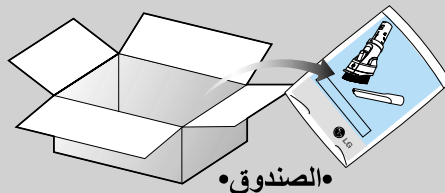


وضع فرشاة تنظيف الأتربة



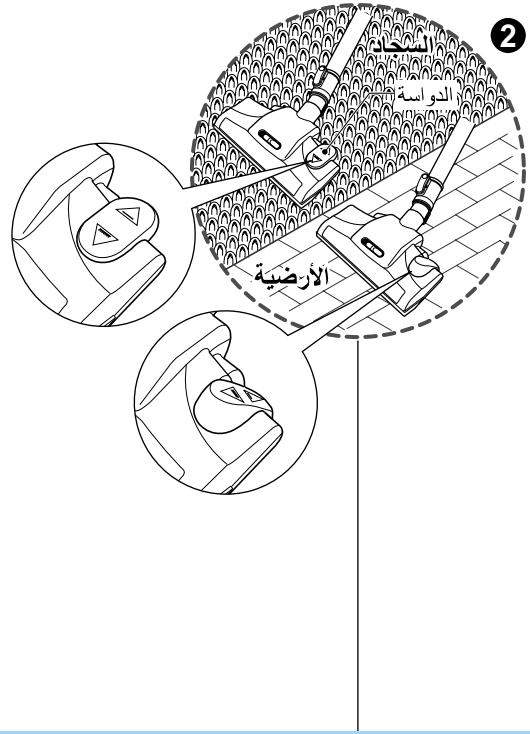
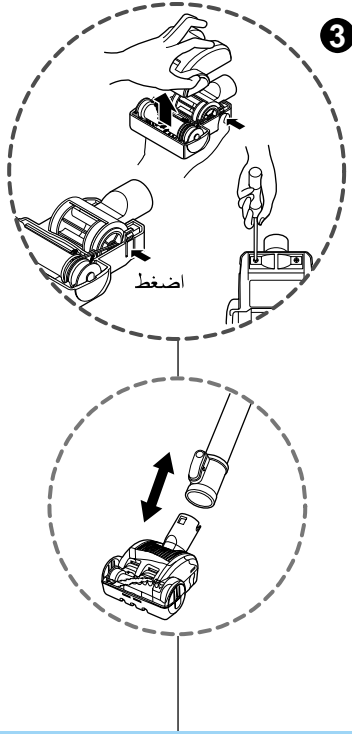
وضع فوهة تنظيف المفروشات

• يتم إرفاق الفوهات الإضافية في
"الحقيبة البلاستيكية" مع دليل المالك.



• الصندوق

استخدام فوهة تنظيف جميع الأرضيات والتوربين الصغير ذات التوربين الصغير



3 الفوهة ذات التوربين الصغير (اختيارية)

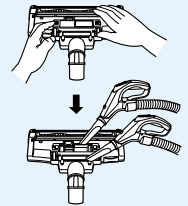
- يستخدم التوربين الصغير في تنظيف السلالم وغيرها من الأجزاء التي يصعب الوصول إليها.
- لتنظيف الفوهة ذات التوربين الصغير، اخلع غطاء الفوهة: اخلع المسمارين الموجودين بالأسفل وانزع غطاء الفوهة ذات التوربين الصغير كما هو موضح.
- قم باستمرار بتنظيف وإزالة الشعر والخيط والنسالة المتراكمة بمنطقة الفرشاة. قد يؤدي عدم قيامك بهذا إلى إتلاف الفوهة ذات التوربين الصغير.

2 فوهة تنظيف جميع الأرضيات (حسب الطراز)

- الفوهة ثنائية الوضع
- يتم تزويدها بدواسة تسمح لك بتغيير وضعها وفقاً لنوع الأرضية التي يتم تنظيفها.
- وضع السجاد أو البساط
- اضغط على الدواسة (▲)، بعدها سيتم تدوير الفرشاة
- وضع الأرضية الصلبة
- اضغط على الدواسة (△)، بعدها يتم إيقاف تدوير الفرشاة

• تنظيف فوهة جميع الأرضيات

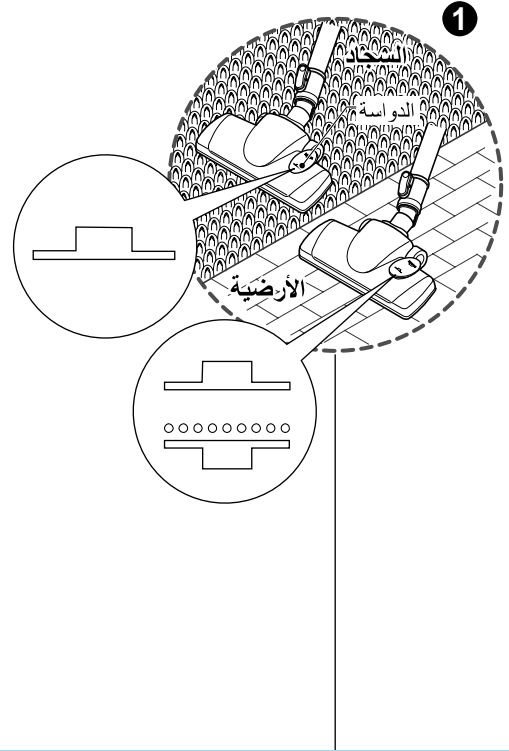
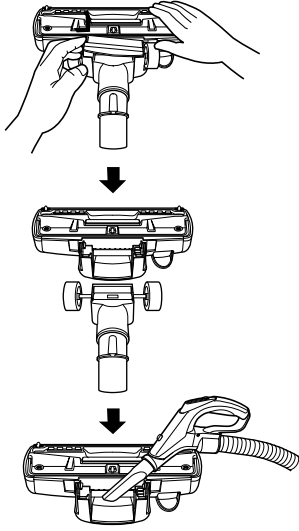
• افتح الغطاء عن طريق جذب الخطاف.



• نظف فتحة وفرشاة الفوهة.

كيفية الاستخدام استخدام فوهة تنظيف السجاد والأرضية

• تنظيف فوهة السجاد والأرضية

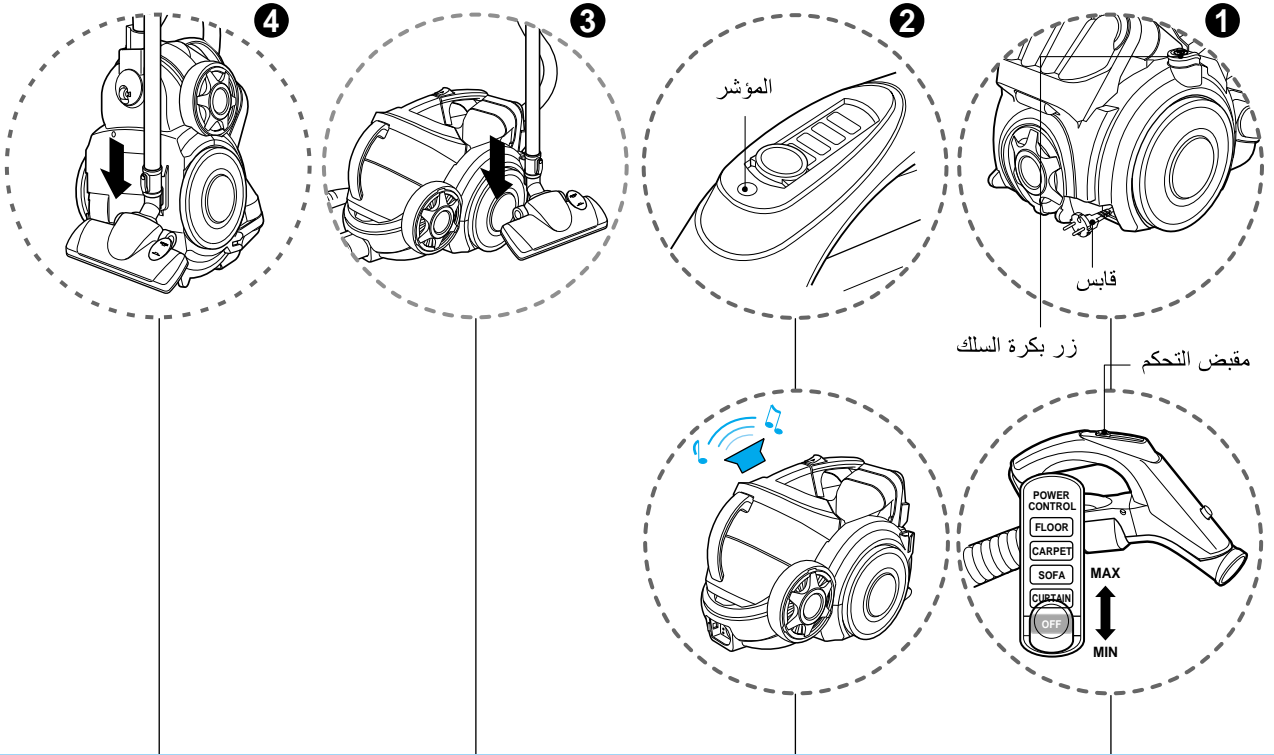


1 فوهة تنظيف السجاد والأرضية (حسب الطراز)

- افتح الغطاء عن طريق جذب الخطاف.
- ↓
- قم بتقسيم الفوهة إلى جزأين
- ↓
- نظّف فتحة الفوهة.

- الفوهة ثنائية الوضع
- يتم تزويدها بدواسة تسمح لك بتغيير وضعها وفقاً لنوع الأرضية التي يتم تنظيفها.
- وضع السجاد أو البساط
- اضغط على الدواسة (↔) لخفض الفرشاة.
- وضع الأرضية الصلبة (أرضية البلاط و الأرضية الخشبية) كلتا الدواستين مناسبتين.

طريقة استخدام تشغيل المكنسة الكهربائية

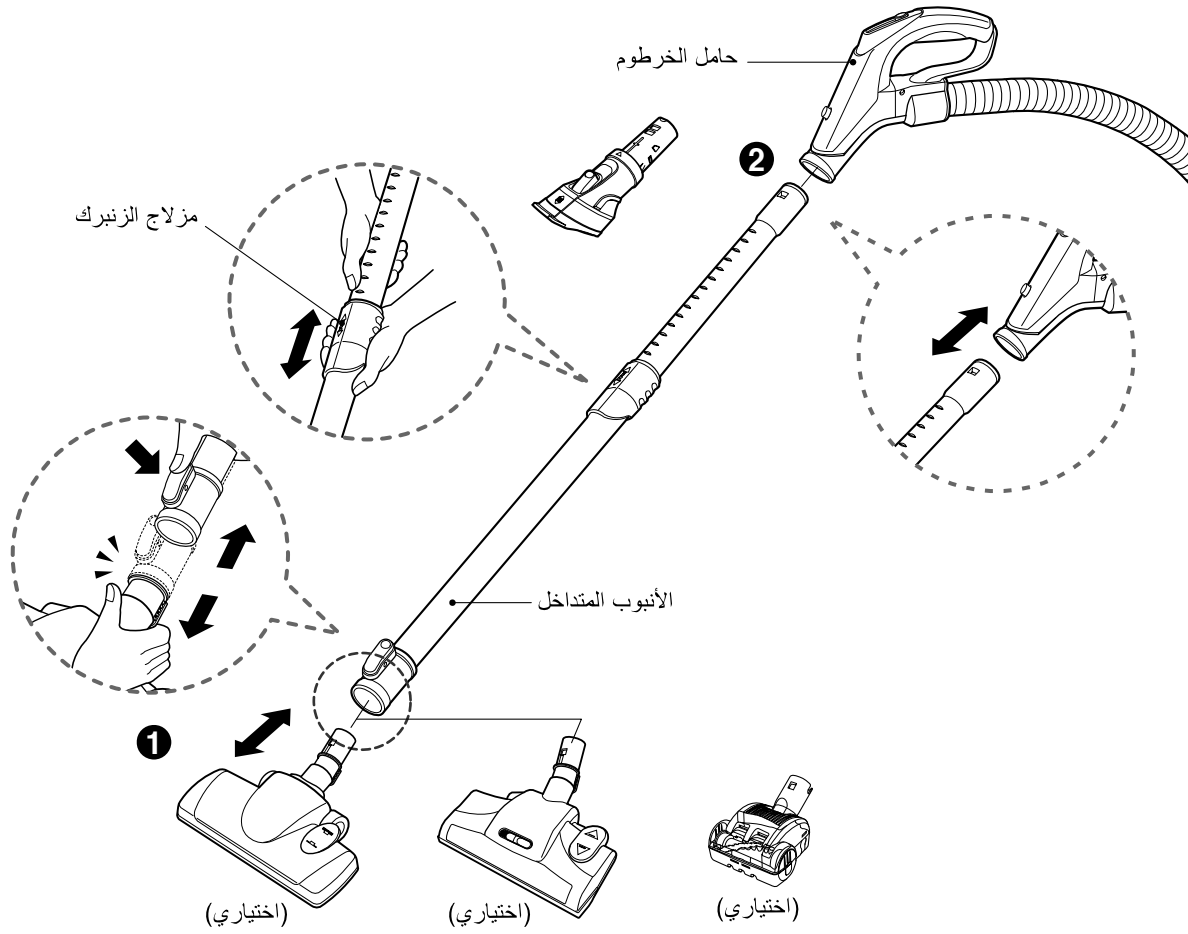


1 كيفية التشغيل 2 المؤشر وصوت الإنذار 3 وضع الإيقاف المؤقت 4 التخزين

- اسحب سلك الطاقة إلى الطول المطلوب وقم بتوصيله بمقبس التيار.
- ضع مقبض التحكم في مقبض الشفط في الوضع المناسب.
- لإنهاء التشغيل، حرك مقبض التحكم إلى الوضع OFF (إنهاء التشغيل).
- اضغط على زر بكرة السلك لإعادة لف سلك الطاقة بعد الاستخدام.
- سيضيء مؤشر مقبض الخرطوم ويصدر الإنذار صوتًا عند امتلاء حاوية الأتربة. ستتوقف المكنسة الكهربائية عن التشغيل تلقائيًا، بعد ما يقرب من دقيقتين ويصدر الإنذار صوتًا. قم بتفريغ حاوية الأتربة، ثم أعد استخدام المكنسة الكهربائية.
- للتخزين أثناء استخدام المكنسة - لنقل قطعة أثاث أو سجادة صغيرة على سبيل المثال، استخدم وضع الإيقاف المؤقت لدعم الخرطوم المرن والفوهة.
- قم بتحريك الخطاف الموجود على الفوهة إلى الفتحة الموجودة في جانب المكنسة الكهربائية.
- عندما تقوم بإيقاف تشغيل المكنسة الكهربائية ونزعها من القابس، اضغط على زر بكرة السلك لإعادة لف السلك آتوماتيكيًا.
- يمكنك تخزين مكنستك الكهربائية في الوضع العمودي عن طريق تحريك خطاف الفوهة داخل الفتحة الموجودة بالجانب السفلي من المكنسة الكهربائية.

ملحوظة

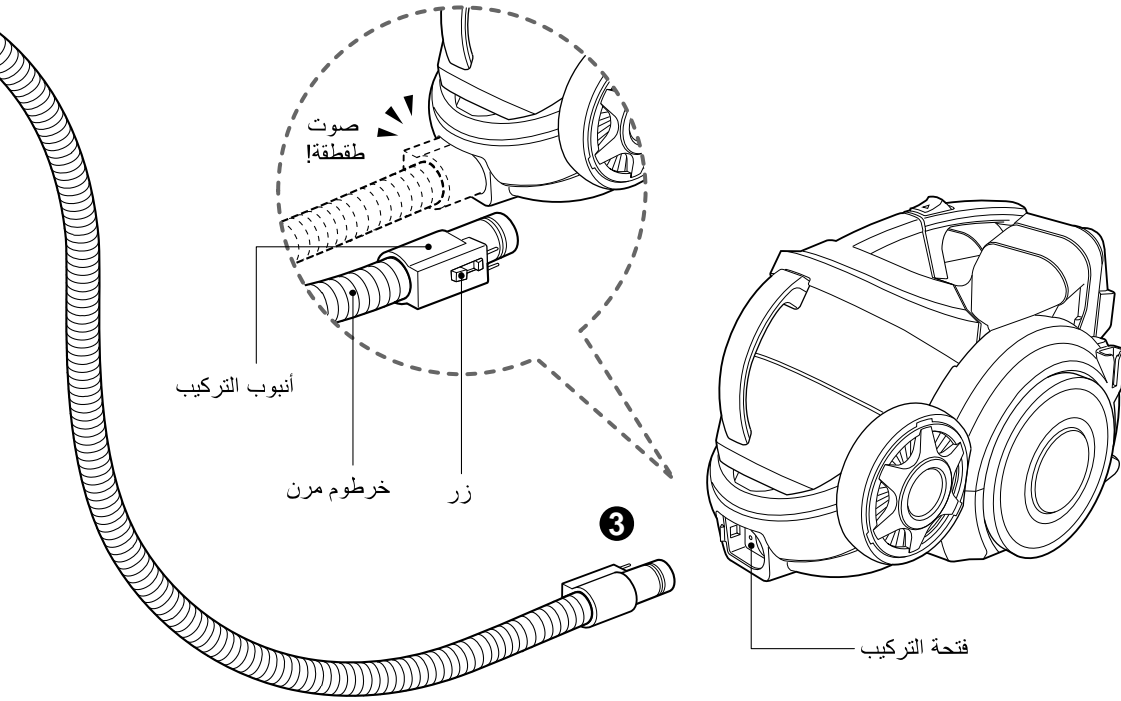
- عندما يومض مصباح المؤشر ويصدر الإنذار صوتًا:
1. امتلاء حاوية الأتربة ← حرك المقبض اليدوي إلى وضع إيقاف التشغيل OFF وقم بتفريغ حاوية الأتربة
 2. تشغيل الطاقة دون وجود حاوية الأتربة ← حرك المقبض اليدوي إلى وضع إيقاف التشغيل OFF وأعد تركيب حاوية الأتربة
 3. تقييد اللوحة المعدنية الدوارة الموجودة في حاوية الأتربة بسبب وجود عائق ← قم بتحريك المقبض اليدوي إلى وضع OFF (إيقاف التشغيل) وأزل العائق



③ توصيل الخرطوم بالمكنسة الكهربائية

ادفع أنبوب التركيب الموجود على الخرطوم المرن في نقطة التركيب الموجودة في المكنسة الكهربائية. لخلع الخرطوم المرن من المكنسة الكهربائية، اضغط على الزر الموجود على أنبوب التركيب ثم اسحب أنبوب التركيب خارج المكنسة الكهربائية.

طريقة استخدام مجموعة المكنسة الكهربائية



2 الأنبوب المتداخل

- ادفع الأنبوب المتداخل بإحكام داخل مقبض الخرطوم.
- أمسك مزلاج الزنبرك كي يتمدد.
- اسحب الأنبوب إلى الخارج حسب الطول المرغوب.

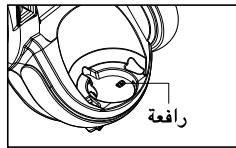
1 فوهة تنظيف السجاد والأرضية (حسب الموديل)

- ادفع الفوهة داخل الأنبوب المتداخل.

إرشادات هامة للسلامة

تنبيه !

- لا تضع أي أشياء في الفتحات. الفشل في القيام بذلك قد يؤدي إلى إتلاف المنتج.
- لا تستخدم المكنسة مع وجود أي فتحات مسدودة: احتفظ بالفتحات خالية من التراب والنسالة والشعر وأي شيء قد يقلل من تدفق الهواء.
- الفشل في القيام بذلك قد يؤدي إلى إتلاف المنتج.
- لا تستخدم المكنسة الكهربائية دون تركيب حاوية الأتربة و/أو المرشحات في أماكنها.
- الفشل في القيام بذلك قد يؤدي إلى إتلاف المنتج.
- قم دائماً بتنظيف صندوق الأتربة بعد كنس المنظفات والمستحضرات المنشطة والمساحيق والتراب الدقيق من السجاد.
- قد تسد هذه المنتجات المرشحات وتقلل من تدفق الهواء وتتسبب في إتلاف المكنسة. الفشل في تنظيف صندوق الأتربة قد يتسبب في إتلاف دائم للمكنسة.
- لا تستخدم المكنسة الكهربائية كي تلتقط الأشياء الحادة الصلبة أو الألعاب الصغيرة أو الدبابيس أو مشابك الورق أو غير ذلك. فقد تتلف المكنسة أو صندوق الأتربة.
- خزّن المكنسة الكهربائية في البيت.
- أبعد المكنسة الكهربائية بعد استخدامها كي تمنع التعثر بها.
- المكنسة الكهربائية غير مخصصة كي يستخدمها الأطفال صغار السن أو الأفراد العاجزون دون الإشراف عليهم.
- الفشل في القيام بذلك قد يؤدي إلى حدوث إصابة شخصية أو إتلاف المنتج.
- لا تستخدم سوى الأجزاء التي قام وكلاء صيانة إلكترونيات LG بانتاجها أو التوصية بها.
- الفشل في القيام بذلك قد يؤدي إلى إتلاف المنتج.
- لا تستخدم المكنسة إلا كما هو موصوف في هذا الدليل. لا تستخدم سوى الأدوات الملحقة والأشياء الكمالية التي أوصت بها LG أو اعتمدها.
- الفشل في القيام بذلك قد يؤدي إلى حدوث إصابة شخصية أو إتلاف المنتج.
- لتجنب الإصابة الشخصية ولمنع سقوط المكنسة عند تنظيف السلاالم، ضعها دائماً عند قاعدة السلاالم.
- الفشل في القيام بذلك قد يؤدي إلى حدوث إصابة شخصية أو إتلاف المنتج.



الوقاي الحراري :

- هذه المكنسة الكهربائية يوجد بها ترموستات خاص يعمل على حماية المكنسة في حالة ارتفاع درجة حرارة الموتور.
- إذا تم إيقاف تشغيل المكنسة الكهربائية على نحو مفاجئ، فأوقف تشغيل المفتاح وانزع سلك المكنسة الكهربائية من القابس.
- افحص المكنسة الكهربائية للكشف عن المصدر المحتمل لارتفاع الحرارة مثل حاوية الأتربة الممتلئة أو الخرطوم المسدود أو الفلتر المنسد.
- إذا تم العثور على مثل هذه الحالات، فقم بمعالجتها وانتظر ثلاثين دقيقة على الأقل قبل محاولة استخدام المكنسة الكهربائية.
- بعد مضي فترة ثلاثين دقيقة، أعد توصيل المكنسة الكهربائية بالقابس وقم بتشغيل المفتاح.
- إذا استمر تعذر تشغيل المكنسة الكهربائية، فاقصّل بكمبيوتر مؤهل.

إرشادات هامة للسلامة

اقرأ واتبع جميع الإرشادات قبل استخدامك للمكنسة الكهربائية كي تمنع خطر الحريق أو الصدمة الكهربائية أو الإصابة الشخصية أو التلف عند استخدام المكنسة الكهربائية. لا يغطي هذا الدليل كافة الحالات الممكن حدوثها. اتصل دائماً بوكيل الصيانة أو المصنع بخصوص المسائل التي يتعذر عليك فهمها. يتوافق هذا الجهاز مع توجيهات الاتحاد الأوروبي (EC): 93/68/EEC ، 73/23/EEC ، Directive 89/336EEC-EMC ، 'Low Voltage Directive'.

هذا رمز تنبيه بغرض السلامة. يندرك هذا الرمز بالمخاطر المحتملة التي قد تعرضك أنت والآخرين للوفاة أو الإصابة. ستقوم جميع رسائل السلامة باتباع التنبيه بغرض السلامة وكلمة "تحذير" أو "تنبيه". هذه الكلمات تعني:



سيندرك هذا الرمز بالمخاطر أو الممارسات غير الآمنة التي قد تتسبب في وقوع ضرر جسدي خطير أو الوفاة.

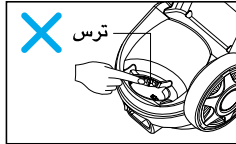
تحذير

سيندرك هذا الرمز بالمخاطر أو الممارسات غير الآمنة التي قد تتسبب في وقوع إصابة جسدية أو تلف الممتلكات.

تنبيه

تحذير

- لا تسمح باستخدام المكنسة كالدمية. من الضروري الانتباه عن كذب عندما يستخدم الأطفال المكنسة أو يكونوا قريبين منها. فقد تحدث الإصابة الشخصية أو إتلاف المنتج.
- لا تستخدم المكنسة الكهربائية إذا ما كان سلك الطاقة أو القابض به تلف أو خلل. فقد تحدث الإصابة الشخصية أو إتلاف المنتج. في مثل هذه الحالات، اتصل بوكيل صيانة إلكترونيات LG لتجنب الخطر.
- لا تستخدم المكنسة الكهربائية إذا كانت تحت الماء. فقد تحدث الإصابة الشخصية أو إتلاف المنتج. في مثل هذه الحالات، اتصل بوكيل صيانة إلكترونيات LG لتجنب الخطر.
- لا تواصل الكنس إذا تم فقد أو إتلاف أي جزء. فقد تحدث الإصابة الشخصية أو إتلاف المنتج. في مثل هذه الحالات، اتصل بوكيل صيانة إلكترونيات LG لتجنب الخطر.
- لا تستخدم سلك استتالة مع هذه المكنسة الكهربائية فقد ينتج عن ذلك خطر الحريق أو إتلاف المنتج.
- استخدام الجهد الكهربائي المناسب. قد يتسبب استخدام الجهد الكهربائي غير المناسب في إتلاف الموتور وإصابة محتملة للمستخدم. يتم تسجيل الجهد الكهربائي المناسب على قاعدة المكنسة الكهربائية.
- أوقف تشغيل كافة عناصر التحكم قبل نزع السلك من القابض. الفشل في القيام بذلك قد تنجم عنه صدمة كهربائية أو إصابة شخصية.
- لا تغيير القابض تحت أي ظرف من الظروف. الفشل في القيام بذلك قد تنجم عنه صدمة كهربائية أو إصابة شخصية أو تلفاً في المنتج. القيام بذلك يقود إلى الوفاة. إذا كان القابض غير مناسب، فافصل بكهربائي مؤهل لتركيب المنفذ المناسب.
- لا يجوز القيام بإصلاحات في الأجهزة الكهربائية إلا بمعرفة مهندسي صيانة مؤهلين. قد تؤدي عمليات الإصلاح غير المناسبة إلى تعرض المستخدم لأخطار مدمرة.
- لا تضع أصابعك قرب الترس. الفشل في القيام بذلك قد يؤدي إلى حدوث إصابة شخصية.



- لا توصل المكنسة بالقابض إذا لم يكن مقبض التحكم في وضع إيقاف التشغيل. قد تقع إصابة شخصية أو تلف بالمنتج.
- ابعد الأطفال واحترس من العوائق عند إعادة لف السلك لمنع وقوع الإصابة الشخصية يتحرك السلك بسرعة عن إعادة لفة.
- أفضل المصدر الكهربائي قبل صيانة الوحدة أو تنظيفها أو عندما لا تكون المكنسة قيد الاستخدام. الفشل في القيام بذلك قد تنجم عنه صدمة كهربائية أو إصابة شخصية.
- لا تستخدم المكنسة الكهربائية كي تلتقط بها أي شيء يحترق أو يدخن أو رماد ساخن. قد يؤدي ذلك إلى الوفاة أو الحريق أو الصدمة الكهربائية.
- لا تنكس المواد القابلة للاشتعال أو الانفجار مثل الجازولين والبنزين والتينر والبروبان. (السوائل أو الغازات). يمكن أن تحدث الأدخنة المتصاعدة من هذه المواد خطر الحريق أو الانفجار. القيام بذلك قد يؤدي إلى الوفاة أو الإصابة الشخصية.
- لا تتعامل مع القابض أو المكنسة الكهربائية بأيدي مبتلة. القيام بذلك قد يؤدي إلى الوفاة أو الصدمة الكهربائية.
- لا تنزع السلك من القابض عن طريق الجذب. القيام بذلك قد يؤدي إلى تلف المنتج أو الصدمة الكهربائية. لنزع السلك من القابض، أمسك بالقابض وليس بالسلك.
- احتفظ بالشعر والثياب المهلهلة والأصابع وجميع أجزاء الجسم بعيداً عن الفتحات والأجزاء المتحركة. الفشل في القيام بذلك قد تنجم عنه صدمة كهربائية أو إصابة شخصية.
- لا تجذب السلك أو تحمل المكنسة منه أو تستخدمه كمقبض أو تغلق عليه الباب أو تسحبه فوق حواف أو زوايا حادة. لا تحرك المكنسة الكهربائية فوق السلك. احتفظ بالسلك بعيداً عن الأسطح المسخنة. الفشل في القيام بذلك قد تنجم عنه صدمة كهربائية أو إصابة شخصية أو حريقاً أو تلفاً في المنتج.
- يحتوي الخرطوم على أسلاك كهربائية. لا تستخدمه إذا كان تالفاً أو مقطوعاً أو مثقوباً. الفشل في القيام بذلك قد يؤدي إلى الوفاة أو الصدمة الكهربائية.

جدول المحتويات

5~4	إرشادات هامة للسلامة.....
6	طريقة الاستخدام.....
6	تجميع المكنسة.....
8	تشغيل المكنسة الكهربائية.....
9	استخدام فوهة تنظيف السجاد والأرضية.....
10	استخدام فوهة تنظيف جميع الأرضيات والفوهة ذات التوربين الصغير.....
11	استخدام الفوهات الإضافية.....
12	تفريغ حاوية الأتربة.....
13	تنظيف حاوية الأتربة.....
14	تنظيف فلتر الهواء وفلتر سلامة الموتور.....
15	تنظيف فلتر العادم.....
16	ما يجب فعله إذا توقفت مكنستك الكهربائية عن العمل.....
16	ما يجب فعله عند انخفاض أداء الشفط.....



دليل المالك

V-KC902HT**

نوع جديد من المكنسة Cyclone (الدوامية)

تحتوي هذه المعلومات على تعليمات هامة من أجل استخدام وصيانة آمنين للمكنسة الكهربائية. يرجى قراءة جميع المعلومات الواردة في صفحتي 4 و5 قراءة واعية من أجل سلامتك. يرجى الاحتفاظ بهذا الدليل في مكان يسهل الوصول إليه ومراجعتة في أي وقت كان.

