



OWNER'S MANUAL

# WASHING MACHINE

Please read this manual carefully before operating your washing machine and retain it for future reference.

**WD-MD7010DC/ WD-MD701DS**  
**WD-MD7012S/ WD-1022QD**  
**F1022QD/ F1222QD5**

Congratulations on your purchase of the LG Fully-Automatic, Front-Loading Washing Machine.

Please read your owner's manual carefully. It provides instructions on installation, use and maintenance that will help provide you with many years of reliable service. Retain it for future reference.

Record the model and serial numbers of your washing machine. The model and serial numbers are on the rating plate on the rear of the door.

## ◆ Contents

<b>For Your Safety .....</b>	<b>3</b>	<b>Cleaning Care .....</b>	<b>20</b>
GROUNDING INSTRUCTIONS .....	3	Water Inlet Filter .....	20
IMPORTANT SAFETY INSTRUCTIONS .....	3	Drain Pump Filter .....	21
<b>Parts and Features .....</b>	<b>4</b>	Dispenser Drawer .....	22
<b>Installation Instructions.....</b>	<b>6</b>	Stainless Steel Drum .....	22
Removing the Packing .....	6	Exterior .....	23
Removing the transit bolts .....	6	Environment & Surroundings .....	23
Selecting a Location .....	7	<b>Storing in Cold Conditions .....</b>	<b>23</b>
Levelling the Washing Machine .....	8	<b>Troubleshooting .....</b>	<b>24</b>
Connecting the Water Inlet Hose .....	9	Diagnosing Problems .....	24
Connecting the Drain Hose .....	11	Error Messages .....	25
Connecting the Electric Power Supply Cord .....	11	<b>Specifications .....</b>	<b>26</b>
Before the First Wash .....	12	<b>Limitations of Warranty .....</b>	<b>27</b>
<b>Operating Instructions .....</b>	<b>13</b>	<b>Product Disposal.....</b>	<b>27</b>
Sorting and Loading .....	13		
Loading the Dispenser Drawer .....	14		
Program Guide .....	15		
Selecting & Starting a Program .....	16		
Changing the Running Program .....	18		
Using the Child Lock .....	19		
Setting the Time Delay .....	19		

# ◆ For Your Safety

**READ ALL SAFETY INFORMATION AND INSTALLATION INSTRUCTIONS BEFORE USE.**



**Follow all instructions in this manual to minimize the risk of fire, explosion or electric shock, and to prevent property damage, personal injury or loss of life.**

## IMPORTANT SAFETY INSTRUCTIONS

- Do not install or store in areas exposed to temperatures below freezing or to the weather.
- Do not tamper with the controls.
- Do not repair or replace any part of the washing machine unless instructed to do so.
- Keep the area underneath and around the washing machine free of combustible materials (such as lint, paper, rags, chemicals).
- Do not allow children to play on, with, or inside the washing machine.
- Keep domestic pets away from the washing machine at all times.
- Do not leave the washing machine door open unattended.
- Do not push down or hang items on the door when open.
- Do not reach into the washing machine while the drum is moving.
- Do not wash or dry articles that have been cleaned, washed or soaked with ammalable substances (such as wax, oil, paint, gasoline, degreaser, dry-cleaning solvent, kerosene).
- Do not slam the door closed or try to force the door open when locked.
- Do not touch the front door when the machine runs at high temperatures.
- Disconnect the power supply before cleaning or performing maintenance. Unplug the power cord by grasping the plug with dry hands. Never grasp the cord.
- Do not install or operate if damaged, malfunctioning, partially disassembled, has missing or broken parts, or if the power cord or plug is damaged.
- Do not operate if the laundry floor has been partially ooded. Call your service provider to have the machine inspected for safety.

## GROUNDING INSTRUCTIONS

- Connect the washing machine to a grounded outlet in accordance with all local codes and ordinances.
- Do not use an adapter or otherwise defeat the grounding plug.  
If you dont have a grounded outlet or the plug does not the outlet, have a a qualied electrician install the proper outlet.



**Improper connection of the equipment-grounding conductor can result in risk of electric shock. Check with a qualified electrician or serviceman if you are in doubt as to whether the appliance is properly grounded. Do not modify the plug provided with the appliance - if it does not fit the outlet, have a proper outlet installed by a qualified electrician.**

# ◆ Parts and Features

Your new LG front-loading washing machine combines the most advanced washing technology with simple operation and high efficiency.



- **Crease Care**

Spin cycle option changes the drum rotation direction to disentangle clothing and help minimize creases.



- **Intelligent Wash System**

Detects wash load weight and water temperature to control the water level and running time to minimize energy and water consumption.



- **Child Lock**

Locks control panel buttons to prevent children from changing the wash settings during operation.



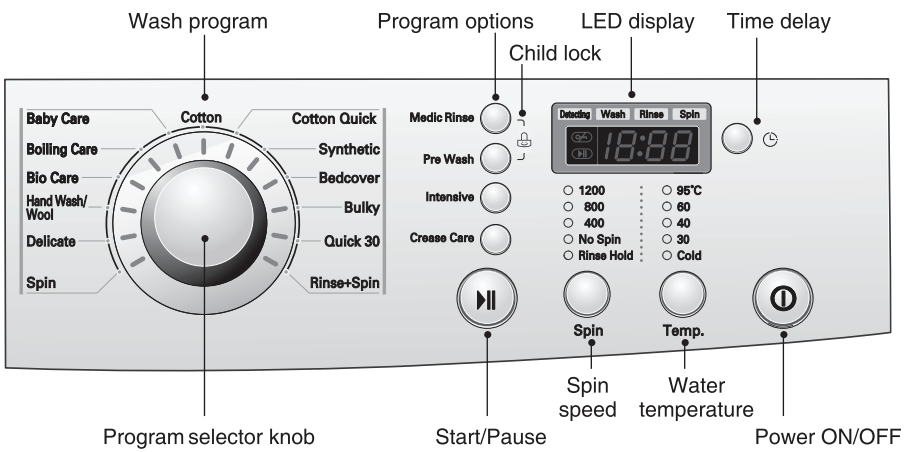
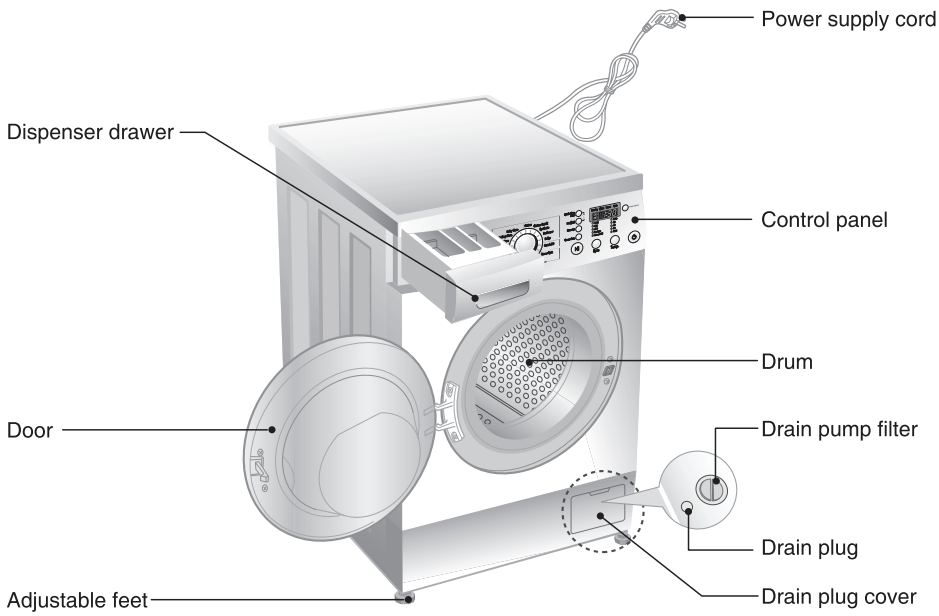
- **Automatic Load Balancing**

Senses load and balance to evenly distribute the wash load to minimize the noise level during spin cycles.



- **Direct Drive System**

Drives drum directly, without belt and pulley, to reduce electricity consumption, noise level and vibration.



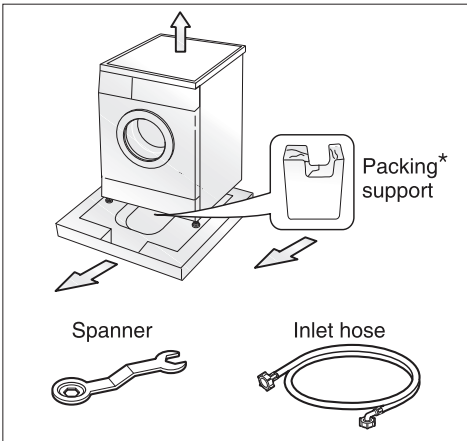
# ◆ Installation Instructions



The washing machine is heavy. Attempting to lift it by yourself may result in serious back injury. Ask someone for assistance.

The packing materials are potentially hazardous to young children. Keep all plastic and styrofoam well away from children.

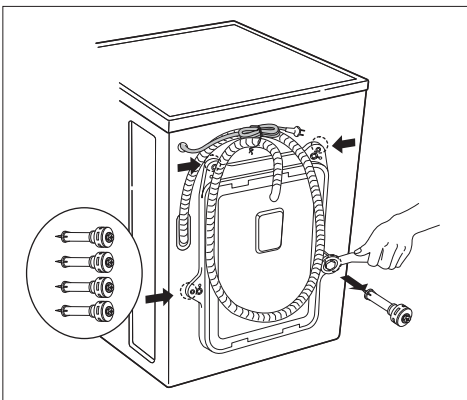
## ● Removing the Packing



- 1 Remove the cardboard box and styrofoam packing.
- 2 Lift the washing machine and remove the base packing and extra packing support (\*on some models only).
- 3 Remove the tape securing the power supply cord and drain hose.
- 4 Remove the inlet hose from the drum.
- 5 Remove the spanner from the base packing.

## ● Removing the Transit Bolts

The washing machine is fitted with 4 transit bolts that hold the drum in place during transport to prevent internal damage. These must be removed before use.



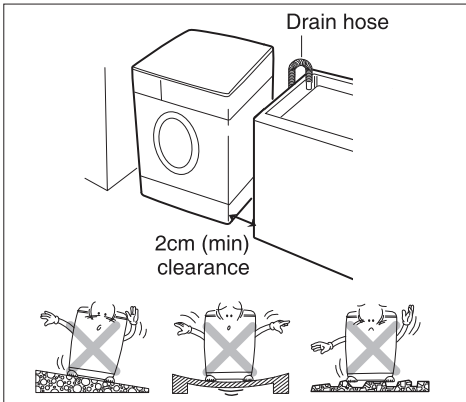
- 1 Unscrew the 4 transit bolts using the spanner supplied.
- 2 Remove the bolts and rubber stoppers by slightly twisting the stoppers.

✓ **NOTE** Keep the transit bolts for future use. They must be refitted when transporting the washing machine.

- 3 Close the transit bolt holes using the caps attached beside each hole.

## ● Selecting a Location

The location must provide a stable platform so that the washing machine cannot move during operation. Select a location that meets the following requirements.

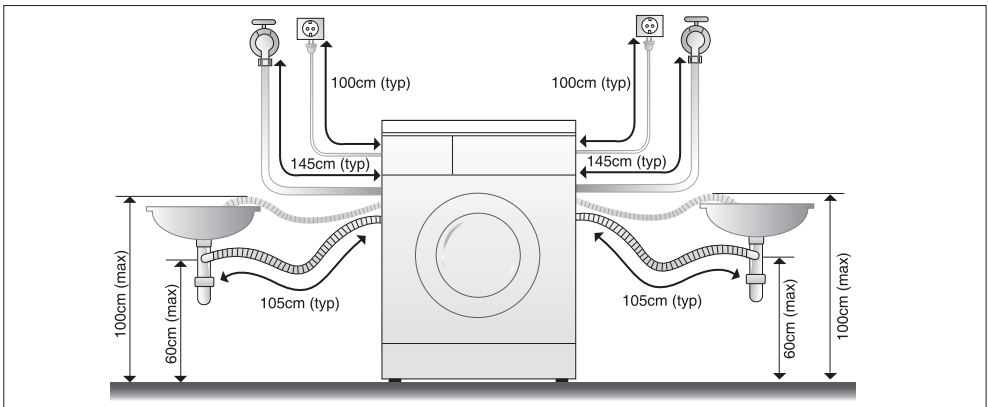


## Location Requirements

- Clean, dry, solid, level surface
- 1.5m maximum to grounded, power outlet
- 2.0m maximum to water supply tap
- 1.5m maximum to drain hose outlet
- 10cm (rear) and 2cm (sides) minimum external clearance



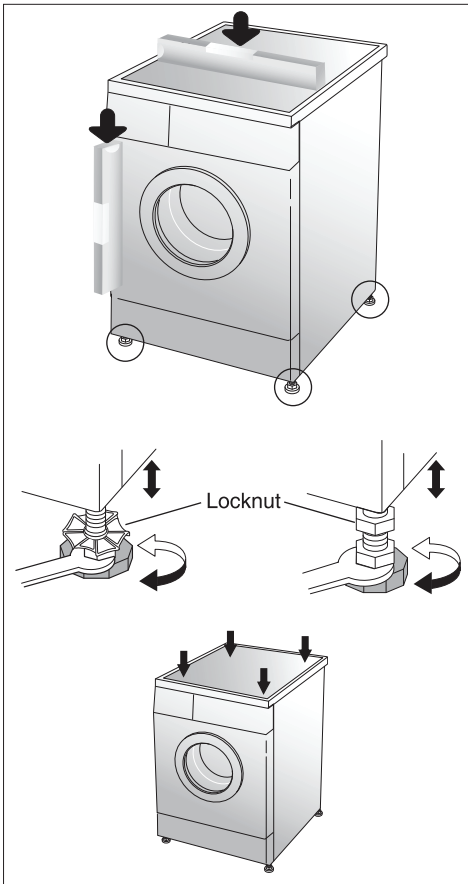
This washing machine is a appliance only, and is not designed for use in caravans, aircraft, or boats.



- Do not install, store or operate where it will be exposed to temperatures below freezing or exposed to the weather. Frozen hoses may burst under pressure.
- If installing next to a cooker or stove, place an insulating board (85 x 60cm) between the two appliances. Cover the surface facing the cooker or stove with aluminium foil.
- If installing on a raised platform, securely fasten the washing machine to the platform or wall to eliminate the risk of falling.
- If installing on a tile floor or other slippery surface, place non-slip self-adhesive mats (7cm x 7cm) under each foot.
- If installing on a wooden floor or suspended floor, install in a corner where the floor is more stable. Place the adjustable feet in rubber cups secured to the floor with screws. Rubber cups are available from the LG Spares Department.
- Not recommended for carpets, rugs or soft surfaces as the washing machine will move due to vibration. Also, carpets and rugs can impede air circulation around the base.

## ● Levelling the Washing Machine

The washing machine must be level and stand firmly in position during operation to prevent excessive noise and vibration to help ensure long, regular and reliable operation.



- 1 Position the washing machine in its final location and check the horizontal and vertical levels using a spirit level.

**NOTE** If the washing machine is to be installed in a confined area, adjust the level first and then place the washing machine in its final location. Recheck and readjust the feet as necessary.

- 2 Loosen the locknuts on all 4 adjustable feet. The locknuts may be a hand-tightened type or spanner-tightened type, depending on your model.
- 3 Turn the adjustable feet using the spanner until all 4 feet are resting firmly on the floor and the washing machine is level. Check the level from left to right and from front to back.

**NOTE** Do not insert pieces of wood or other objects under the feet.

- 4 When level, tighten the locknuts on all 4 adjustable feet.
- 5 Push down on all corners to ensure the washing machine does not rock. If it does, readjust the feet.



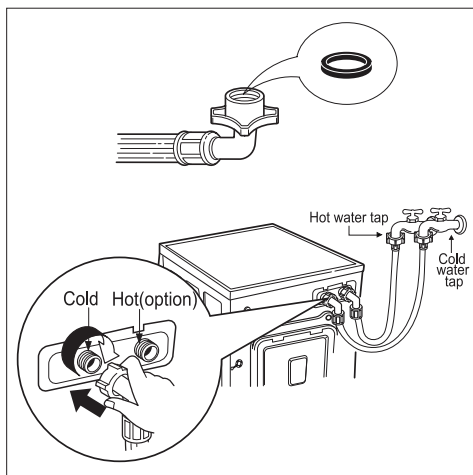
## • Connecting the Water Inlet Hose

The washing machine inlet hose has either a screw-type hose connector or a quick release hose connector, depending on your model. You may need to fit an adapter to your tap in order to attach the inlet hose.

Some models have a single cold water inlet while others have separate hot & cold inlets. On models with hot & cold inlets, the inlet hose with the red connector is for the hot water supply. You can save on electricity energy costs by using the hot water supply.

- The water supply pressure must be in the range 100 to 1000kPa (1.0 to 10kgf/cm<sup>2</sup>). If the pressure in your area is greater than 1000kPa, install a water pressure reducing valve.
- Always use the new inlet hoses supplied. Using other hoses may damage the inlet hose connectors. Damage caused by using other inlet hoses may not be covered by warranty.

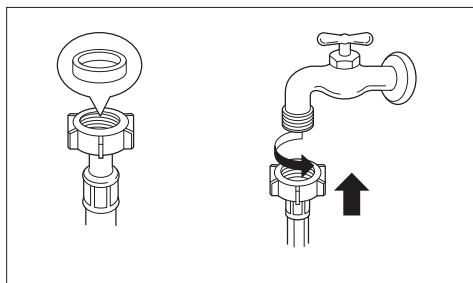
### Connecting Hose to Washing Machine Inlet



- 1 Insert a rubber seal into the washing machine end of the inlet hose (90 bend).
- 2 Screw the hose connector onto the inlet of the washing machine. (On models with hot & cold inlets, the red connector is for the hot water supply.)

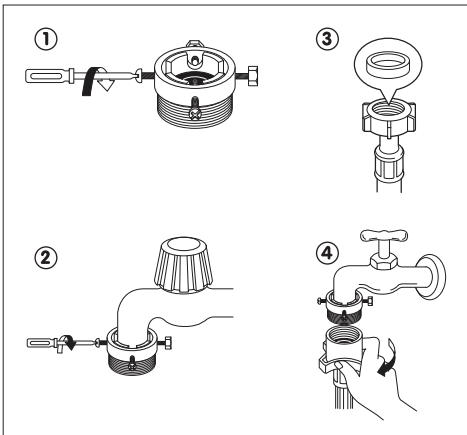
**NOTE** Align the connector carefully so as not to damage the thread.

### Connecting Hose to Water Tap



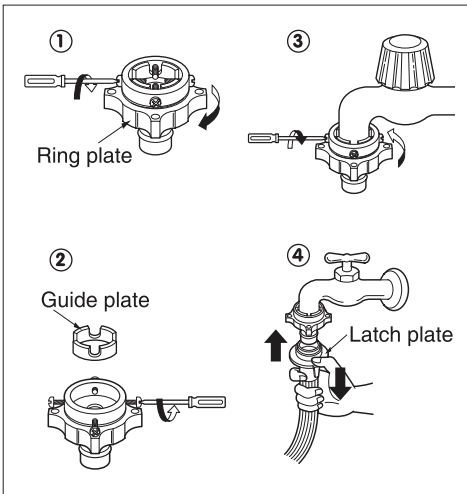
Type 1: Connecting Screw-type Hose to Tap with Thread

- 1 Insert a rubber seal into the water supply end of the inlet hose.
- 2 Screw the hose connector onto the water supply tap. (On models with hot & cold inlets, the red connector is for the hot water supply.)



### Type 2: Connecting Screw-type Hose to Tap using an Adapter

- 1 Unscrew the 4 adapter retaining screws.
- 2 Push the adapter onto the end of the tap so that the rubber seal forms a watertight connection. Then tighten the 4 screws.
- 3 Insert a rubber seal into the water supply end of the inlet hose.
- 4 Screw the hose connector onto the water supply tap adapter. (On models with hot & cold inlets, the red connector is for the hot water supply.)



### Type 3: Connecting Quick Release Hose to Tap using an Adapter

- 1 Unscrew the adapter ring plate and the 4 adapter retaining screws.
- 2 Remove the guide plate if the tap is too large to fit the adapter.
- 3 Push the adapter onto the end of the tap so that the rubber seal forms a watertight connection. Tighten the adapter ring plate and the 4 screws.
- 4 Pull the connector latch plate down, push the inlet hose onto the adapter, and release the connector latch plate. Make sure the adapter locks into place.

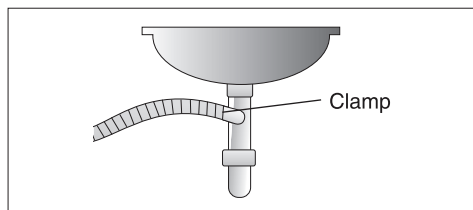
## Check Hose Connections

- Check that the connectors are tight and that the hoses are not kinked, twisted, stretched or squashed.
- Turn on the water taps and make sure that there are no leaks.

## • Connecting the Drain Hose

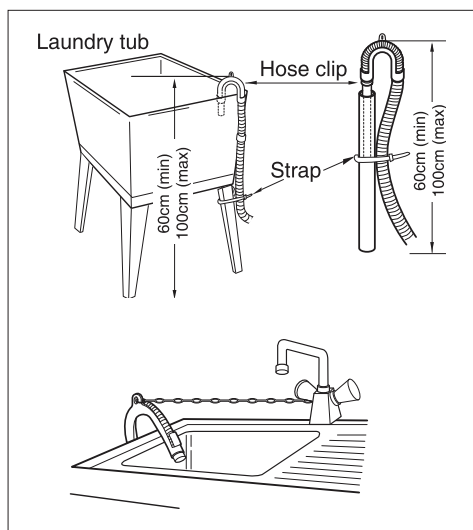
The drain hose must be connected to the closest sink or drain.

- The height of the drain hose must not exceed 100cm at any point to prevent water from draining back into the washing machine.
- Secure the drain hose to prevent water from accidentally draining onto the floor
- Do not push the drain hose back inside the washing machine if the hose is too long.



### Option 1: Drain Hole

Secure the drain hose to the drain connector using a hose clamp. Do not use adhesive tape.

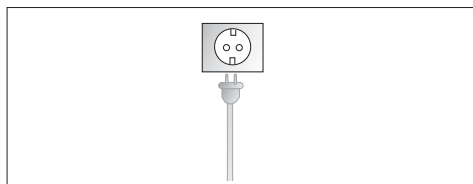


### Option 2: Laundry Tub

Place the hose into a hose clip designed for use in a laundry tub or sink, and secure the hose to the sink or tub using a chain.

## • Connecting the Electric Power Supply Cord

The power supply cord must be connected to a grounded power outlet that conforms with all local codes and ordinances. Secure the cord in a safe position so that it cannot be damaged.



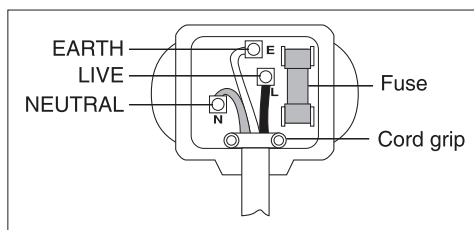
- Do not overload the outlet with more than one appliance.
- Do not use an extension cord or double adapter.



Overloaded wall outlets, loose or damaged wall outlets, extension cords, frayed power cords, or damaged or cracked wire insulation are dangerous that can cause electric shock or fire. If the power cord is damaged or deteriorated, unplug it, discontinue use of the washing machine, and have the cord replaced by an authorized service provider.

## BS Plug Wiring Instructions (UK users)

Should it be necessary to change the plug, please note that the wires in the mains lead are coloured in accordance with the following code:



GREEN AND YELLOW : EARTH  
BLUE : NEUTRAL  
BROWN : LIVE



This appliance must be earthed.

As the colours of the wires in the mains lead of this appliance may not correspond with the coloured markings identifying the terminals in your plug, proceed as follows:

The GREEN/YELLOW wire is the EARTH and must be connected to the terminal which is marked with the letter **E** or  $\oplus$  or coloured GREEN or GREEN/YELLOW.

The BLUE wire is the NEUTRAL and must be connected to the terminal which is marked with the letter **N** or coloured BLACK.

The BROWN wire is the LIVE and must be connected to the terminal which is marked with the letter **L** or coloured RED.

If a 13A (BS 1363) fused plug is used, it must be fitted with a 13A (BS 1362) fuse. If in doubt, consult a qualified electrician.

## Before the First Wash

Before using for the first time, you should run a program without laundry to remove any residue from the drum that may have been left during product testing at the manufacturer.

- 1 Load a half measure of detergent to the main wash detergent dispenser.
- 2 Press the **Power** button.
- 3 Select the Cotton program using the program selector knob.
- 4 Press the **Start/Pause** button. Wait for the program to finish.

# ◆ Operating Instructions


## ● Sorting and Loading









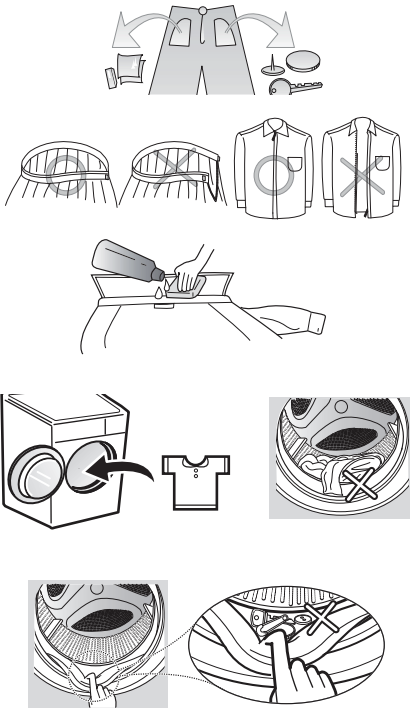
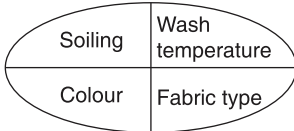
 Wash temperature


 Normal machine wash


 Permanent press
     
 
 Delicate

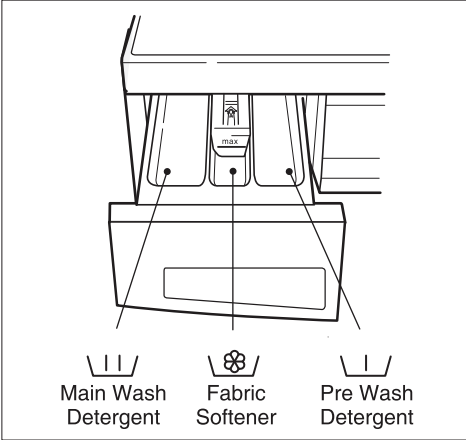

 Hand wash
     
 
 Do not wash

Sort laundry by...




- 1 Look for care labels on your clothes that tell you the fabric content and how it should be washed.
- 2 Sort clothes into groups that can be washed using the same program.
  - Different fabrics need to be washed at a different water temperature, time duration and spin speed. See the Program Guide.
  - Always wash whites separately as dye and lint transfer can cause discoloration.
- 3 Check all pockets are empty. Items such as nails, hair clips, matches, pens, coins and keys can damage your washing machine and your clothes.
- 4 Close zippers, hooks and strings to make sure that these items don't snag on other clothes.
- 5 Pretreat stubborn dirt and stains by brushing detergent solution onto affected areas, such as shirt collars and cuffs, to help shift dirt.
- 6 Open the door and load the washing into the drum.
  - Load large items first, up to half the total wash load.
  - Make sure that all items are fully inside and not hanging over the door edge.
  - Avoid washing a small item by itself as this may cause an out-of-balance load.
- 7 Check the folds of the grey, flexible, door seal and make sure that there are no items underneath.
- 8 Close the door.


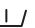
## ● Loading the Dispenser Drawer



- 1 Open the dispenser drawer.
- 2 Load detergent, fabric softener and water softener, as required, into the appropriate compartments.
  - All products can be added at the same time. They will be dispensed automatically as they are needed.
- 3 Carefully close the dispenser drawer.

 **NOTE** Do not open the dispenser drawer after starting a wash program. Water and detergent may spill out.

## Detergent

Load detergent for the main wash cycle into the  dispenser compartment. If using the "Pre Wash" option, load detergent for the pre-wash cycle into the  dispenser compartment.

- Use only powder detergent. Do not use tablet, liquid or gel detergents.
- Follow the manufacturers recommendations when adding detergent. Do not overfill the dispenser compartment as this can cause oversudsing.
- Adjust the detergent usage for water temperature, water hardness, size and soiling of the load, as required.

## Water Softener

In hard water regions, water softener can be used to protect your washing machine from limescale damage and to remove the minerals that trap dirt in fabrics. It also helps to reduce the amount of detergent required for washing.

Load water softener into the  dispenser compartment after adding the detergent.

- Use only powder water softener. Do not use tablet, liquid or gel water softener products.
- Follow the manufacturer's recommendations when adding water softener.

## Fabric Softener

Fabric Softener can be used to prevent clinging due to static electricity and make fabric softer.

Load fabric softener for the rinse cycle into the  dispenser compartment.

- Use only liquid fabric softener designed for use in washing machines.
- Do not overfill past the "MAX" fill line. Overfilling can cause early dispensing of the fabric softener which could stain clothes.
- Do not leave fabric softener in the dispenser drawer for more than 2 days as fabric softener could harden.
- Do not pour fabric softener directly on clothes.

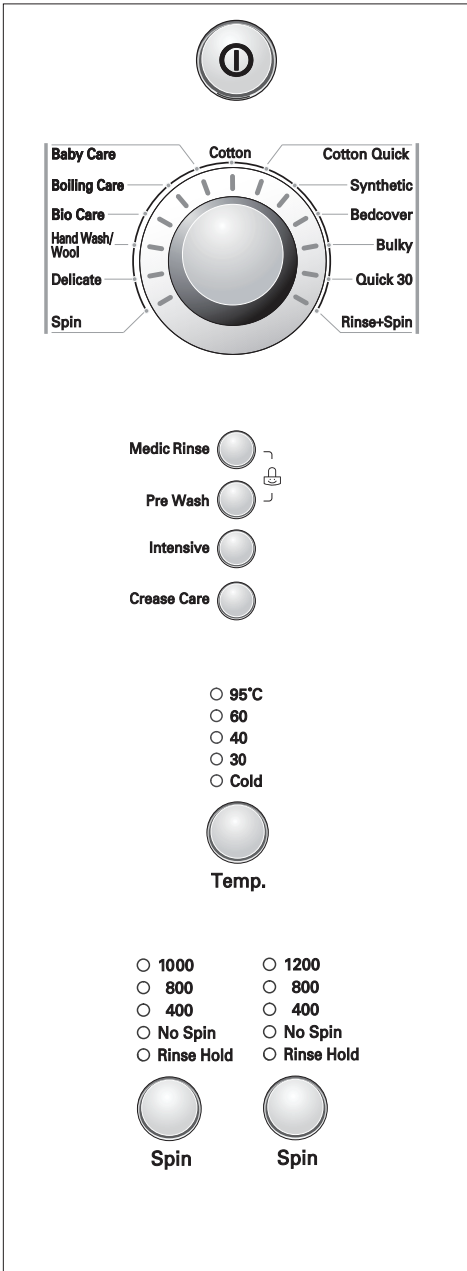
# • Program Guide

Programme	Fabric Type	Load	Wash/Rinse Temperature	Spin Speed	Options	Wash Time
Cotton	Color-fast garments (shirts, night dresses, pyjamas)	Max.	Cold, 30 °C, 40 °C, <b>60 °C</b>	Rinse Hold No spin 400, 800, <b>1000/1200</b>	Pre Wash Intensive Medic Rinse Crease Care	1h 50m
	White cottons, linen, towels, sheets, jeans	Max.	<b>95 °C</b> recommended			
Synthetic	Acrylics, polyesters, polyamides and similar synthetics	3kg	Cold, 30 °C, <b>40 °C</b> , 60 °C	Rinse Hold No spin 400, <b>800</b>		1h 15m
Cotton Quick	Lightly-soiled cottons	Max.	Cold, 30 °C, 40 °C, <b>60 °C</b>	Rinse Hold No spin 400, <b>800</b>		1h 35m
Quick 30	Lightly-soiled colored garments for washing in small loads	2kg	Cold, <b>30 °C</b> 40 °C	Rinse Hold No spin <b>400</b> 800, 1000/1200	-	30m
Hand Wash/ Wool	Hand-washable garments, machine-washable woollens	2kg	Cold, <b>30 °C</b> 40 °C	Rinse Hold No spin 400, <b>800</b>		49m
Delicate	Easily-damaged garments (silks, lace, curtains)	2kg	Cold, <b>30 °C</b> 40 °C	Rinse Hold No spin 400, <b>800</b>	Intensive	51m
Bulky	Garments that absorb large quantities of water (thick jumpers)	Max.	Cold, <b>30 °C</b>	Rinse Hold No spin <b>400</b> 800, 1000/1200		59m
Bedcover	Bedding, blankets, quilts	Max.	<b>60 °C</b> 95 °C	Rinse Hold No spin 400, <b>800</b> , 1000/1200	Intensive Medic Rinse Crease Care	1h 40m
Bio Care	Protein-stained garments. Bio Care activates enzymes to give best performance.	Max.	<b>60 °C</b> 95 °C	Rinse Hold No spin 400, 800, <b>1000/1200</b>		2h 22m
Baby Care	Frequently-washed, easily-damaged, baby and infant clothes	6kg	60 °C, <b>95 °C</b>	Rinse Hold No spin 400, <b>800</b>	Pre Wash Intensive <b>Medic Rinse</b> Crease Care	2h 24m
Boiling Care	White garments. Boiling Care uses high temperature wash and rinse cycles for maximum whiteness.	Max.	<b>95 °C</b>	Rinse Hold No spin 400, <b>800</b>		2h 17m
Rinse + Spin	Rinse & spin cycles only		Not applicable	Rinse Hold No spin 400, 800, <b>1000/1200</b>		18m
Spin	Spin cycle only			No spin 400, 800, <b>1000/1200</b>		13m


1. Program default settings: **underlined bold**
2. Wash time is the average time for medium load under default conditions. The time will vary depending on the load, water pressure, water temperature and other operating conditions.
3. Maximum load is the rated load for the washing machine and varies depending on the model.

## ● Selecting & Starting a Program

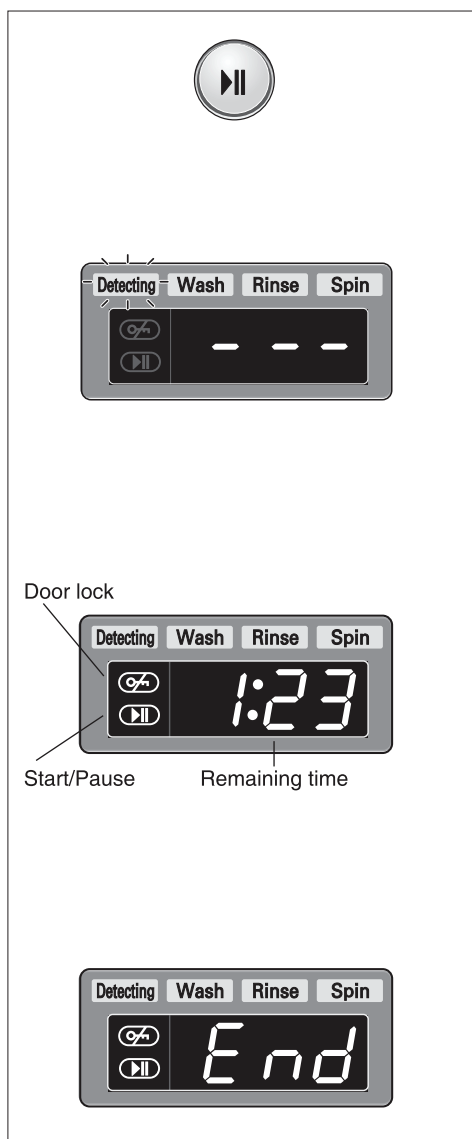
After loading the washing into the machine and loading the dispenser drawer, you are now ready to select a program and start washing.



- 1 Turn "ON" the water supply tap and electric power supply.
- 2 Press the "Power" button.  
The lights around the program selector knob illuminate.
- 3 Turn the program selector knob to the desired program.  
The program default settings are automatically selected.
- 4 If desired, add one or more option programs.
  - Wash : Adds an extra wash cycle before the main wash cycle for heavily-soiled garments needing pretreatment.
  - Intensive : Extends the main wash cycle time for heavily-soiled garments.
  - Medic Rinse : Adds an extra high-temperature rinse pattern to the rinse cycle to minimize detergent residue.
  - Crease Care : Adds an extra spin pattern to the spin cycle to disentangle garments to help prevent creasing.
- 5 If desired, change the rinse/wash water temperature setting.
- 6 If desired, change the spin speed setting.
  - No Spin : No spin cycle. Program stops after draining water at the end of the rinse cycle.
  - Rinse Hold : Program stops after the rinse cycle but does not drain the water. You can drain the water and/or run a spin cycle later using the Spin program.

 **NOTE** To protect your garments, some option programs and settings are not available in every program. See the Program Guide.





- 7 Press the “Start/Pause” button to start the program.

**NOTE** Pressing the “Start/Pause” button without selecting a program selects the Cotton program automatically.

- All the cycles that are part of the wash program (Detecting, Wash, Rinse, and Spin) illuminate on the LED display. The current cycle flashes on the LED display.
- The Detecting cycle is available on Cotton and Synthetic programs only. This cycle detects the size of the laundry load and the temperature of the tap water to calculate the optimum water level and running time.
- The remaining running time for the entire program is displayed on the LED display.

**NOTE** The running time may be automatically extended by up to 45 minutes if an out-of-balance condition or an oversudsing condition occurs.

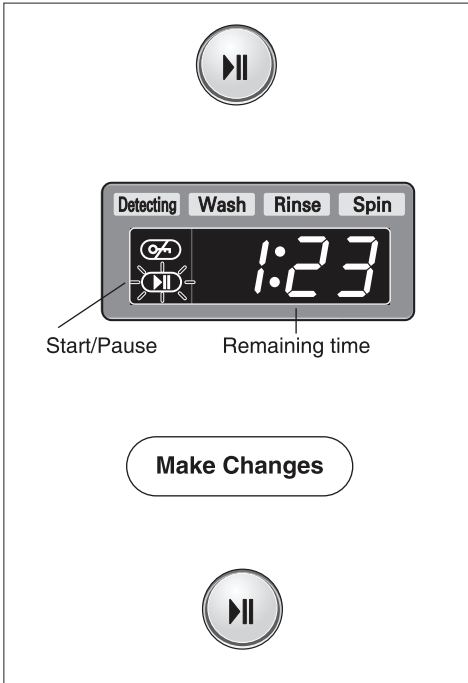
- While a program is running, the door is locked.
- 8 When the program ends, a chime sounds and End appears on the LED display. The door remains locked for a short period, after which the power turns off automatically. You can then open the door to remove the washing.
  - 9 Turn off the water supply taps and electrical power supply.

## ● Changing the Running Program

After a program has started running, you can change the selected program options and settings.



If the child lock is set, first unlock the control panel. You can cancel the child lock and the running program using the Power button.



- 1 Press the "Start/Pause" button to pause the program.  
The Start/Pause icon flashes on the LED display.  
The door remains locked for 1 to 2 minutes. The power will switch off automatically after 4 minutes if left in Pause mode.
- 2 Change the rinse/wash water temperature, spin speed, and/or option programs.



To protect your garments, some option programs and settings are not available in every program. See the Program Guide.

- Pre Wash : Not available after the wash cycle has started.
- Intensive : Not available after the wash cycle has started.
- Medic Rinse : Not available after the rinse cycle has started.
- Crease Care : Not available after the spin cycle has started.

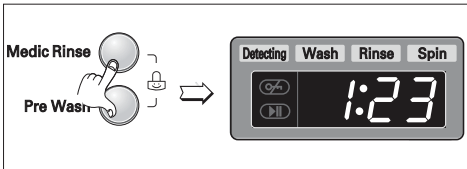
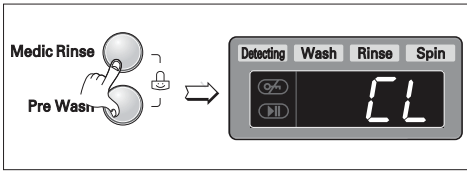


You can also change to a different program using the program selector knob to start a new program.

- 3 Press the "Start/Pause" button to continue the program.

## • Using the Child Lock

You can use the child lock to prevent a child from accidentally pressing buttons on the control panel and altering the program settings.




## Locking the Control Panel

- 1 Press the **Medic Rinse** and **Pre Wash** buttons simultaneously for 3 seconds.
  - A beeper sounds, and "CL" appears momentarily on the LED panel. When the child lock is set, all buttons are locked except for the **Power** button.


## Unlocking the Control Panel

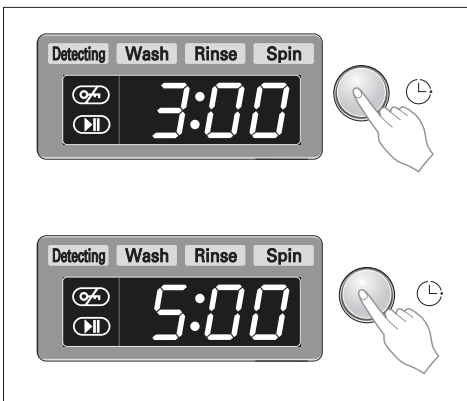
- 1 Press the **Medic Rinse** and **Pre Wash** buttons simultaneously for 3 seconds.
  - A beeper sounds, and the remaining time for the running program reappears on the LED panel.

-  **NOTE** The child lock is automatically cancelled when an error occurs.

## • Setting the Time Delay

You can set a time delay so that the washing machine will start automatically and finish after a specified time interval. You can set the delay to a value between 3 and 19 hours.

-  **NOTE** The delay time is the time to the end of the program, not the start. The actual running time may vary due to water temperature, wash load and other factors.



- 1 Turn on water tap and power supply.
- 2 Load the washing, close the door, and load the detergent and fabric softener.
- 3 Press the **Power** button.
- 4 Select the wash program settings.
- 5 Press the **Time Delay** button and set the desired delay.

Each press of the button advances the time delay by one hour.

To cancel the delay setting, press the **Power** button.

- 6 Press the **Start/Pause** button. The colon ":" flashes in the LED display to indicate the timer is set.

# ◆ Cleaning Care

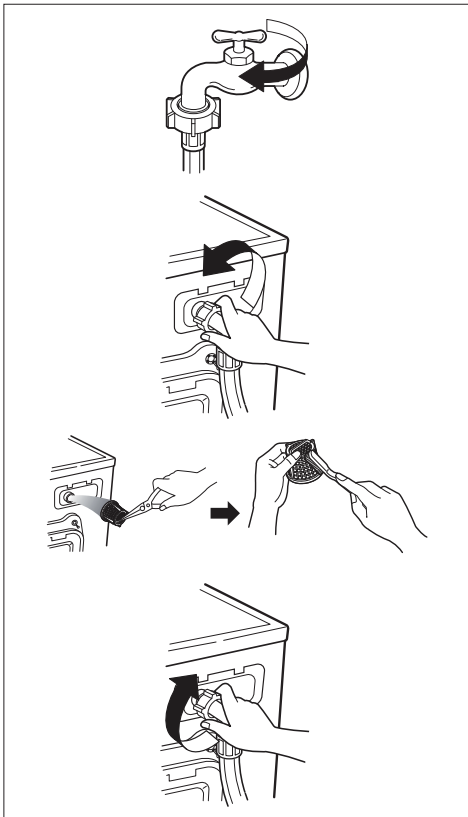
This section describes simple cleaning tasks that you can perform to help protect your washing machine and extend its working life. After cleaning, run through a complete program using hot water without laundry to remove all residues.



**Before cleaning the washing machine, unplug the electrical power cord to avoid electrical shock hazards.**

## ● Water Inlet Filter

The water inlet filter must be cleaned if an "IE" (Inlet Error) error message appears on the control panel indicating that the water inlet to the dispenser drawer is blocked.



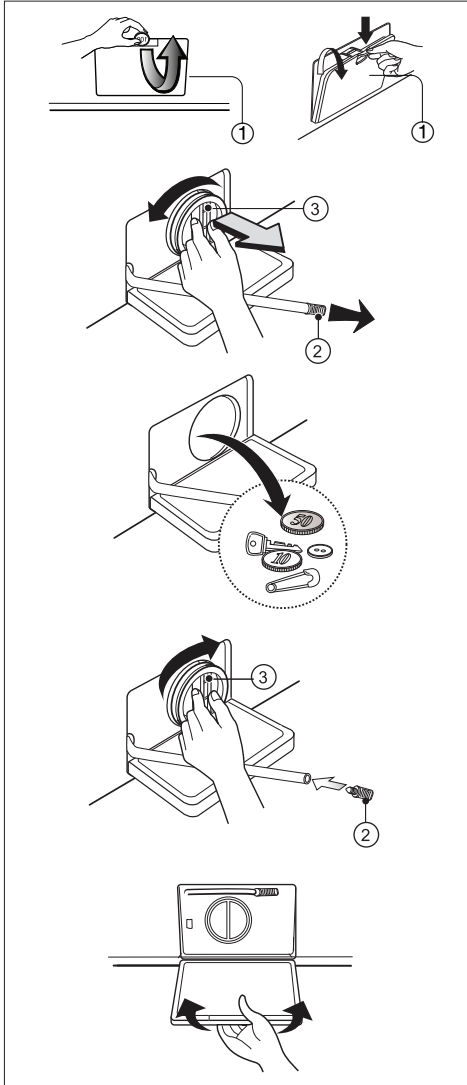
- 1 Turn off the water tap.
- 2 Unscrew the water inlet hose.
- 3 Clean the filter using a hard bristle brush.
- 4 Reattach the water inlet hose.

## • Drain Pump Filter

The drain pump filter must be cleaned to remove threads and small objects if an "OE" (Outlet Error) error message appears on the control panel indicating that the drain pump filter is blocked.



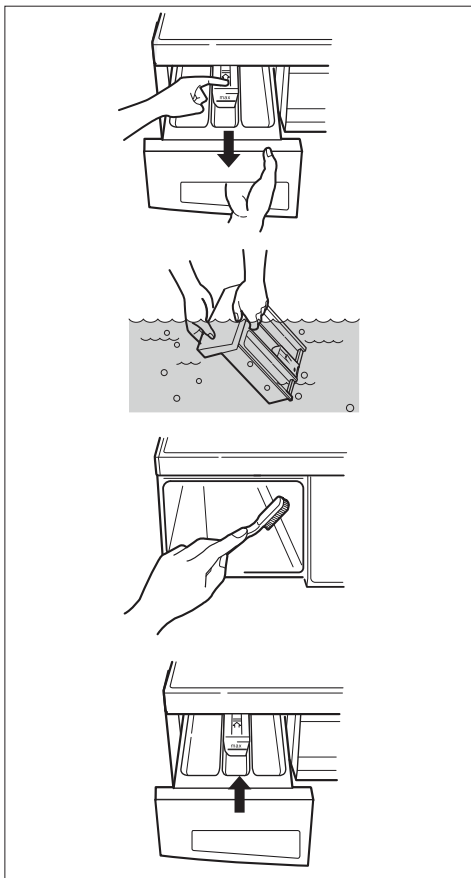
Draining when the water is hot can cause serious scalding. Allow the water to cool down before cleaning the drain pump filter.



- 1 Open the drain pump filter cover ① using a coin or similar object.
- 2 Unclip and pull out the hose.
- 3 Place a container under the hose and unscrew the mini drain plug ② to allow the water to drain into the container.
- 4 Unscrew the pump filter ③ one quarter turn anticlockwise and withdraw it.
- 5 Remove any objects and clean the pump filter.
- 6 Insert the pump filter ③ and screw it one quarter turn clockwise.
- 7 Insert the drain plug ② into the hose and place the hose in the hose clip.
- 8 Close the pump filter cover.

## • Dispenser Drawer

The dispenser drawer must be cleaned regularly to remove detergent and fabric softener residue.



- 1 Press down on the upper part of the fabric softener dispenser to remove the dispenser drawer.
- 2 Clean the dispenser drawer to remove all deposits.
  - The upper part of the fabric softener compartment can be removed to facilitate cleaning.
- 3 Clean inside the drawer recess using a brush.
- 4 Insert the dispenser drawer.

## • Stainless Steel Drum

The drum must be cleaned regularly to remove traces of rust and limescale deposit. Rust can form if the drum is scratched by metal objects (paper clips, zippers, safety pins).



**Limescale can build up in places not visible from the door and can damage all parts of the washing machine. Badly damaged parts will need to be replaced.**

- Use only descaling agents, dyes or bleaches suitable for washing machine use. Some descaling agents contain chemicals that may damage parts of your washing machine.
- Remove any spots with a stainless steel cleaning agent. Never use steel wool or an abrasive household detergent.

## ● Exterior

- Clean with warm water and a neutral, non-abrasive household detergent.
- Wipe off with a damp cloth.
- Dry the flexible door seal and door glass using a soft cloth.
- Periodically check the condition of the hoses and replace if necessary.



NOTE

**Do not place or store laundry products on top of the washing machine. The products could damage the finish or controls.**

**Do not use methylated spirits, thinners or similar products to clean the exterior surfaces.**

## ● Environment & Surroundings

- Keep the washing machine and its surroundings clean at all times to prevent infestation by cockroaches and other vermin. Any damage caused by pests is not covered by the warranty.

# ◆ Storing in Cold Conditions

The following special precautions are required if the washing machine is stored in an area where freezing may occur or if the washing machine must be moved in freezing temperatures.

- 1 Turn off the water supply tap.
- 2 Disconnect the inlet and drain water hoses.
- 3 Plug the electrical cord into a properly grounded electrical outlet.
- 4 Pour 3.8 litres of non-toxic recreational vehicle (RV) antifreeze mix into the empty drum and close the door.
- 5 Select the Spin program and run for 1 minute.
  - The antifreeze solution will drain out, but will leave a protective coating on all surfaces of the interior.
- 6 Unplug the electrical power cord, dry the drum, and close the door.
- 7 Remove the dispenser drawer and dry the compartments.
- 8 Place the washing machine in an upright position.

After removal from storage, run the washing machine through a complete wash program, without laundry, using detergent.

# ◆ Troubleshooting



**Repairs to the washing machine must be carried out only by qualified personnel. Repairs carried out by inexperienced persons may cause injury or serious malfunctioning. Contact your local service provider.**

**If the supply cord is damaged, it must be replaced by the manufacturer or its service agents or similarly qualified person.**

## ● Diagnosing Problems

When the machine does not function properly or does not function at all, check the following points before you contact your service provider.




Symptom	Possible Cause	Solution
Rattling and clanking noise	Foreign objects such as coins or safety pins may be in drum or pump.	Stop washing machine and check drum and drain filter. If noise continues after restarting, call your authorised service provider.
Thumping sound	Heavy wash load may be out of balance.	Stop and redistribute wash load.
Vibrating noise	Transit bolts and packing have not been removed.	Remove transit bolts and packing. Refer to Installation Instructions for removing transit bolts.
	All four feet are not resting firmly on the floor.	Adjust the height of the feet so that all feet are resting firmly on the floor. Refer to Levelling the Washing Machine for instructions.
Water leaks	Inlet hoses or drain hose are loose at tap or washing machine.	Check and tighten hose connections.
	House drain pipes are clogged.	Unclog drain pipe. Contact plumber if necessary.
Oversudsing	Too much detergent or unsuitable detergent.	Check detergent usage instructions or replace detergent with another brand.
Water does not enter washer or it enters slowly	Water supply is not adequate in area.	Check another tap in the house.
	Water supply tap is not completely open.	Fully open tap.
	Water inlet hoses are kinked.	Straighten hoses.
	Water inlet hose filters are clogged.	Check and clean the inlet filter of the water inlet hoses.
Water in the washer does not drain or drains slowly.	Drain hose is kinked or clogged.	Clean and straighten the drain hose.
	Drain filter is clogged.	Clean the drain pump filter










Symptom	Possible Cause	Solution
Washer does not start	Electrical power cord may not be plugged in or connection may be loose.	Make sure plug fits tightly in wall outlet.
	House fuse blown, circuit breaker tripped, or a power outage has occurred.	Reset circuit breaker or replace fuse. If problem is a circuit overload, have it corrected by a qualified electrician. Do not increase fuse capacity.
	Water supply tap is not turned on.	Turn on water supply tap.
Washer will not spin	Door is not firmly shut.	Close the door and press the <b>Start/Pause</b> button. It may take a few moments before the drum begins to spin.
Door does not open	Door cannot be opened for safety reasons.	Wait one or two minutes to give the electric locking mechanism time to release before opening the door.
Wash cycle time delayed	Washing time may vary depending on the wash load, water pressure, water temperature and other factors.	No action. If an out-of-balance condition is detected or if the suds removal program activates, the wash time is automatically increased.

## ● Error Messages

The washing machine is equipped with sensors that detect and diagnose faults at an early stage. If a problem is detected, an error message appears on the LED display.

LED Display	Error	Possible Cause	Solution
	Water inlet error	Water supply is not adequate in area.	Check another tap in the house.
		Water supply taps are not completely open.	Fully open tap.
		Water inlet hoses are kinked.	Straighten hoses.
		Inlet hose filters are clogged.	Check and clean the inlet hose filters.
	Water outlet error	Drain hose is kinked or clogged.	Clean and straighten the drain hose.
		Drain filter is clogged.	Clean the drain pump filter.
	Unbalanced error	Load is too small.	Add 1 or 2 similar items to help balance the load.
		Load is out of balance.	Redistribute load.
		Individual heavy article is loaded (ex. bath mat, bath robe).	Remove article. Unfold and place loosely in the drum. If problem continues, add other items to help balance the load.
		Laundry is still too wet at the end of the spin cycle.	Remove some articles of laundry to balance the load and repeat the spin cycle.

LED Display	Error	Possible Cause	Solution
	Door open error	Door is not firmly shut.	Close the door. If "dE" is not released, call your service provider.
	Thermistor (heater) error	Heating sensor malfunctioned.	Unplug the power supply cord and call your service provider.
	Over flow error	Water over filling due to faulty water valve.	Turn off the water tap. Unplug the power supply cord. Call your service provider.
	Pressure sensor error	Water level sensor malfunctioned.	
	Current error	Electric motor problem.	
	Motor locked error	Electric motor problem.	
	Power failure	Washing machine experienced a power failure.	Restart the cycle.

## ◆ Specifications

Parameter	Rating
Type	Front loading washing machine
Power supply	220 - 240V ac, 50Hz [WD-MD7010DC, WD-MD701DS, WD-MD7012S, F1022QD, F1222QD5] 220V ac, 60Hz [WD-1022QD]
Size	600mm (W) x 550mm (D) x 850mm (H)
Weight	63kg
Power consumption	2100W (max)
Wash capacity	Refer to the Rating Label on the rear of the door
Water consumption per wash	49 litres
Water pressure	1.0 to 10kgf/cm <sup>2</sup> (100 to 1000kPa)
Spin speed	No Spin/400/800/1000 rpm [WD-MD701DS, WD-MD7010DC, WD-1022QD, F1022QD] No Spin/400/800/1200 rpm [WD-MD7012S, F1222QD5]

 The specifications are subject to change without notice.

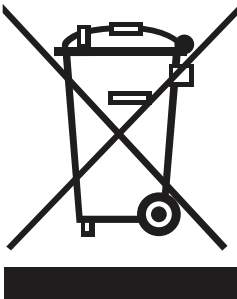
# ◆ Limitations of Warranty

## LG warranty does not cover :

Service trips to your home to teach you how to use the product.

- If the product is connected to any voltage other than that shown on the rating plate.
- If the fault is caused by accident, neglect, misuse or Act of God.
- If the fault is caused by factors other than normal domestic use or use in accordance with the owners manual.
- Providing instruction on use of product or changing the setup of the product.
- If the fault is caused by pests (for example, rats or cockroaches etc.).
- Noise or vibration that is considered normal (for example, water drain sound, spin sound, or warming beeps).
- Correcting the installation (for example, levelling the product, adjustment of drain).
- Normal maintenance recommended by the owners manual.
- Removing foreign objects/substances from the machine, including the pump and inlet hose filter (for example, grit, nails, bra wires, buttons etc.).
- Replacing fuses, correcting house wiring or correcting house plumbing.
- Correction of unauthorised repairs.
- Incidental or consequential damage to personal property caused by possible defects of this product.
- Use for commercial purposes (for example, public bathrooms, lodging houses, training centres, dormitories, etc.).

If the product is installed outside the normal service area, any cost of transportation involved in the repair of the product, or the replacement of a defective part, shall be borne by the owner.



# ◆ Product Disposal

- If the symbol on the left is attached, this product is covered by European Directive 2002/96/EC on Waste Electrical and Electronic Equipment (WEEE).
- All electrical and electronic products should be disposed of separately from the municipal waste stream via designated collection facilities appointed by the government or the local authorities.
- The correct disposal of your old appliance will help prevent potential negative consequences for the environment and human health.
- For more detailed information about disposal of your old appliance, please contact your city office, waste disposal service or the shop where you purchased the product.

