



Internal Use Only

Website <http://biz.lgservice.com>

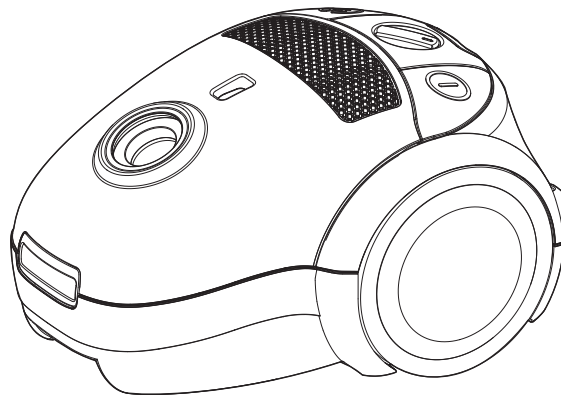
# VACUUM CLEANER

# SERVICE MANUAL

MODEL : VB2718NRTQ

## CAUTION

BEFORE SERVICING THE UNIT, READ THE  
"SAFETY PRECAUTIONS" IN THIS MANUAL.



P/No.: MFL48957501

MAR.2008  
Printed in China

# CONTENTS

---

SAFETY PRECAUTIONS.....	3
CAUTIONS .....	3
DESCRIPTION .....	4
SPECIFICATIONS .....	4
DISASSEMBLY .....	5~6
TROUBLE SHOOTING .....	7~9
BLOCK DIAGRAM .....	10
SCHEMATIC DIAGRAM.....	10
CIRCUIT DIAGRAM .....	10
EXPLODED VIEW .....	11~13
1. THE TYPE OF POWER PLUG AND PART NUMBER .....	14

# SAFETY PRECAUTIONS

---

**BEFORE OPERATING THIS VACUUM CLEANER, READ THIS SERVICE MANUAL THOROUGHLY, AND OBSERVE EACH POINT CAREFULLY.**

## **1. Change the paper bag or clean the cloth bag in case the indicator moves toward red.**

- 1) If the dust bag is full, intake power will be reduced.
- 2) When the dust bag is full of dust, pull out the dust bag from the inside of body base.

## **2. Filter**

- 1) The filter is composed of a motor safety filter, an exhaust filter and a paper bag or a cloth bag.
- 2) Never use the vacuum cleaner without filters. It may harm to the motor.
- 3) When the cloth bag, the motor safety filter and the exhaust filter are soiled, wash the filter with neutral cleanser.

**Note** : Re-use of the cloth bag, clean filter and exhaust filter.

- Never wash the filter in a washing machine or in a dishwasher.
- Never use hot water for washing the filter.
- Re-use the filter after drying it completely in the shade.
- Do not dry near fire or direct sun ray.

## **3. Dust indicator**

Dust indicator shows you red color when the filter is full of dust.

Then, change the paper bag with new one or clean the cloth bag.

## **4. Avoid suction such materials as:**

- 1) Liquid or wet dust: Clogging the ventilation holes, reduces the intake power significantly and harms the motor.
- 2) Inflammable liquids such as benzene, alcohol or solvents.
- 3) Burning objects such as cigarette butts.
- 4) Bulky objects such as vinyl, paper, etc.
- 5) Sharp objects such as needles, pins, metal or glass particles, etc.

## **5. Attachments**

- Nozzle : For cleaning wooden floor, the room floor and carpet.
- Crevice Tool: for cleaning any crevice, inside corners of window frames. However, do not use the crevice tool more than 20 minutes because it may cause harm to the motor.
- Dusting brush : For cleaning clothes curtains.

## **6. Close supervision is necessary when this vacuum cleaner is used by or near children. Children's carelessness may cause damage to the cleaner or injure persons.**

## **7. Air exhausted from the vacuum cleaner is normally warm. But if extraordinarily hot air is exhausted, check if the extension wands, hose or dust bag is clogged or not.**

## **8. Electric shock could occur if used outdoors or on wet surfaces.**

# CAUTIONS

---

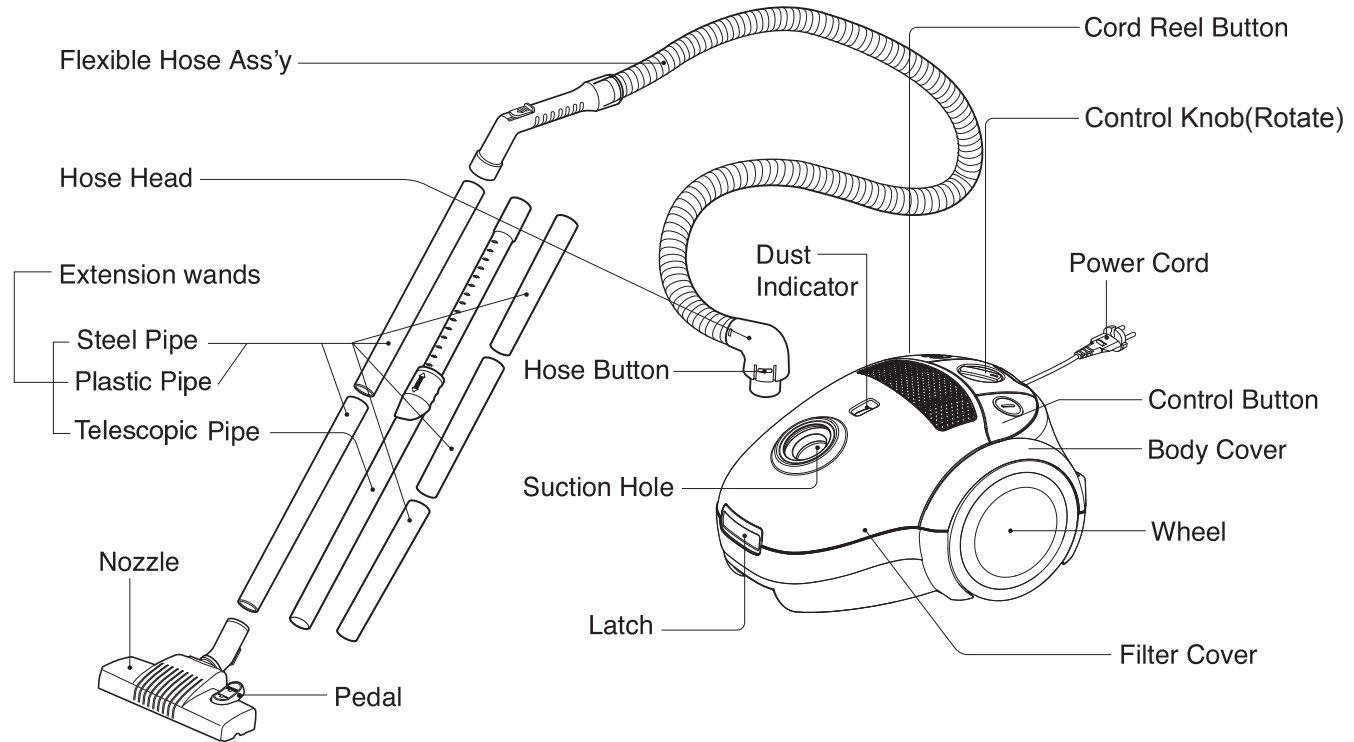
**BEFORE ATTEMPTING TO SERVICE OR ADJUST ANY PART OF THE VACUUM CLEANER, DISCONNECT THE ELECTRICAL POWER SUPPLY CORD FROM THE WALL OUTLET.**

## **1. Motor exchange**

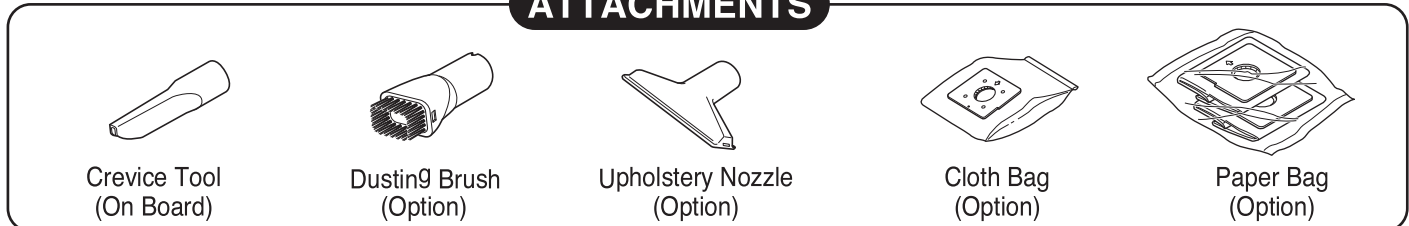
- 1) Separate the body cover and body base by unfastening the screws.
- 2) Disconnect the lead wires.
- 3) Lift the old motor and replace it with a new one.

## **2. In case of exchanging other parts, refer to the exploded view.**

# DESCRIPTION



## ATTACHMENTS



# SPECIFICATIONS

- **MODEL** : REFER TO THE COVER PAGE
- **POWER SOURCE** : ON RATING PLATE
- **POWER CONSUMPTION** : ON RATING PLATE
- **POWER CONTROL** :
  - **MAIN** : SLIDE ON BODY  
 (VB2716NRTU)  
 (VB2717NRTU/TN)  
 (VB2718NRDN)  
 (VC3817R)  
 (VC3817RU)  
 (VC3816RU)
- **CAPACITY** : 2.5l
- **CORD LENGTH** : 5/6 m
- **HOSE LENGTH** : 1.5 m
- **NET WEIGHT** : 4.3 kg
- **PACKING WEIGHT** : 6.7 kg
- **NET DIMENSION** : 269 x 387 x 228 (W x D x H)mm

- **PACKING DIMENSION** :  
 290x485x293 (W x D x H)mm - with steel pipe/plastic pipe  
 290x550x293 (W x D x H)mm - with telescopic pipe
  - This specifications are subject to change according to the buyer's request.
  - **ATTACHMENTS**
- |                                  |             |
|----------------------------------|-------------|
| HOSE .....                       | 1EA         |
| STEEL PIPE ASS'Y                 | OR .....1EA |
| TELESCOPIC PIPE ASS'Y            |             |
| PLASTIC PIPE ASS'Y               |             |
| NOZZLE ASS'Y .....               | 1EA         |
| CREVICE TOOL (ON BOARD) .....    | 1EA         |
| DUSTING BRUSH (OPTION) .....     | 1EA         |
| CLOTH BAG ASS'Y                  | OR .....1EA |
| PAPER BAG ASS'Y                  |             |
| UPHOLSTERY NOZZLE (OPTION) ..... | 1EA         |



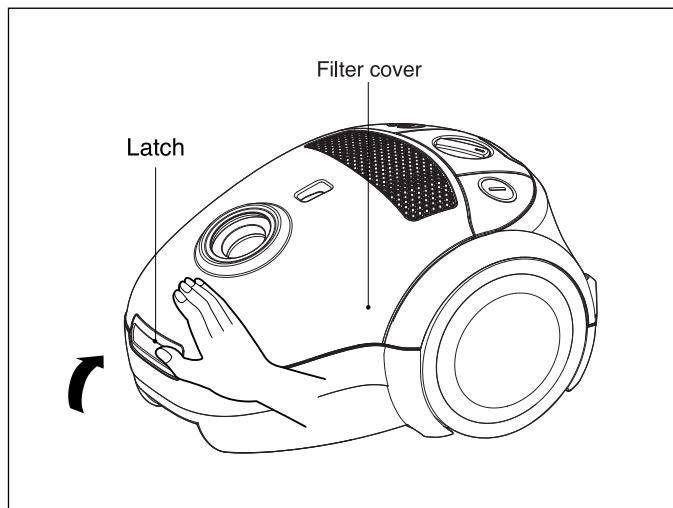
# DISASSEMBLY

**NOTE:** Before attempting to service or adjust any part of the vacuum cleaner, disconnect the electrical power supply cord from the wall outlet.

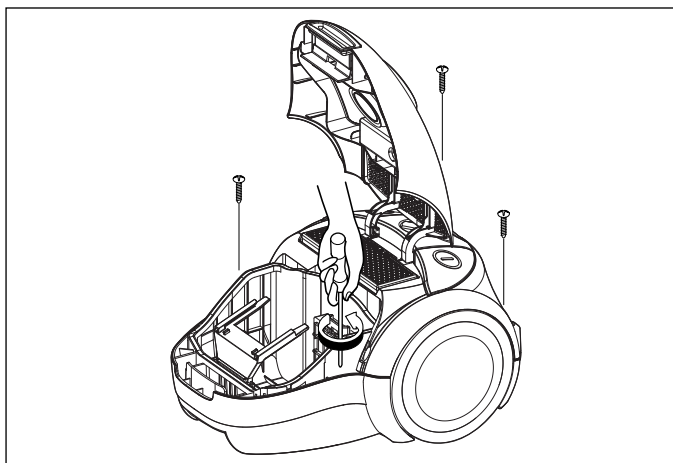
- Almost all of the parts of this vacuum cleaner can be disassembled with a screw driver and each connecting component easily fits each other. Disassemble one by one referring to the exploded view.
- If possible, don't disassemble except for the necessary parts. It is not necessary to disassemble the parts that are not detailed in the exploded view.

## 1. Body Cover Assembly Replacement

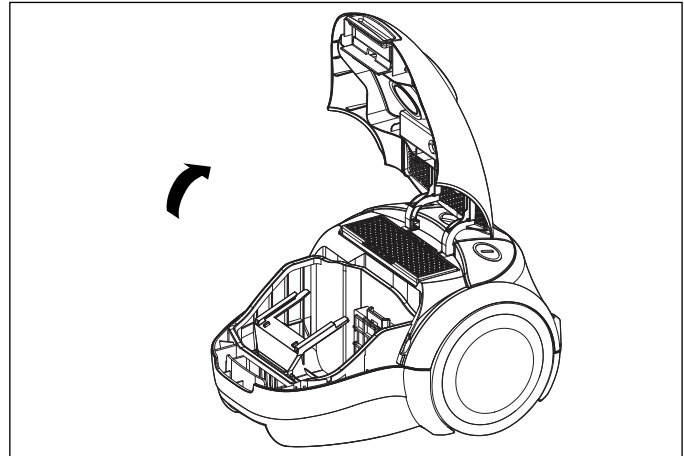
1) Open filter cover by pushing cover latch.



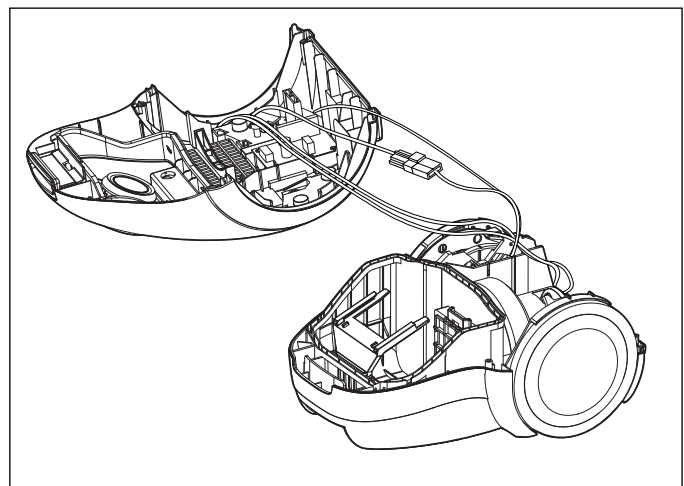
2) Remove the four screws fastening the body base.



3) Lift body cover assembly in the direction of the arrow.

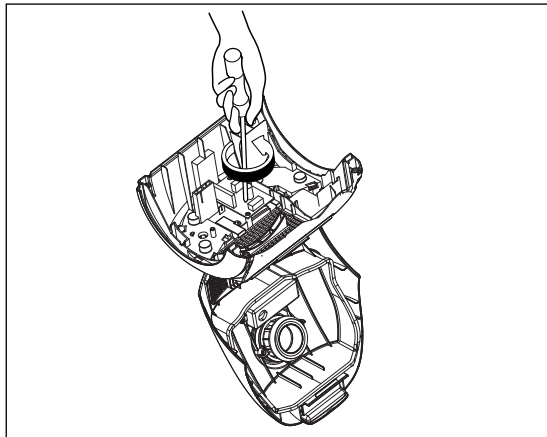


4) Strip off the lead wires from the motor & cord reel.



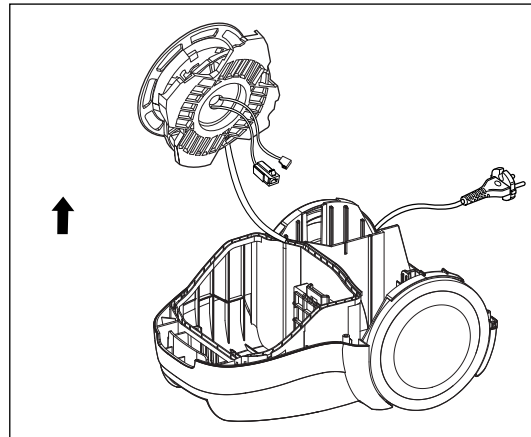
### 3. P.W.B Assembly Replacement

- Remove two screws by unfastening from P.W.B on the body cover, and then lift the P.W.B.



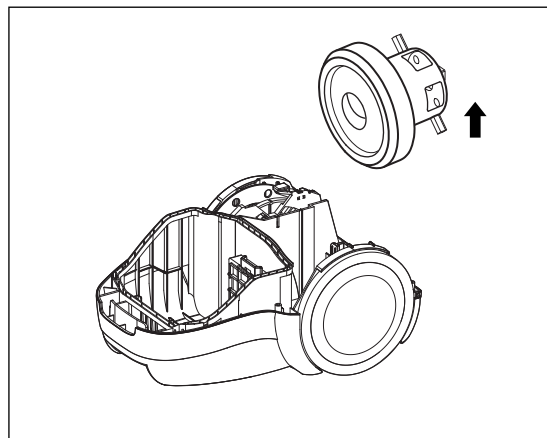
### 5. Cord Reel Assembly Replacement

- Lift the cord reel assembly from the body base in the direction of the arrow.



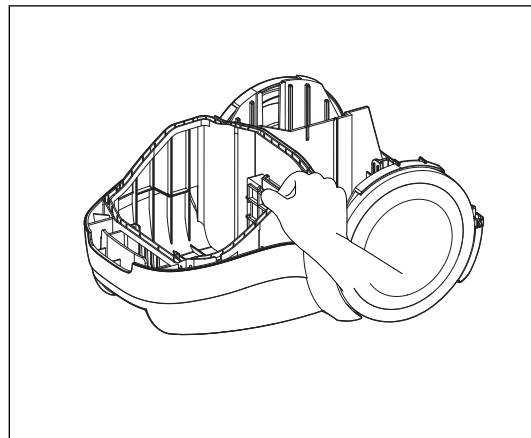
### 4. Motor Assembly Replacement

- Lift the motor assembly in the direction of the arrow after stripping off the lead wires.



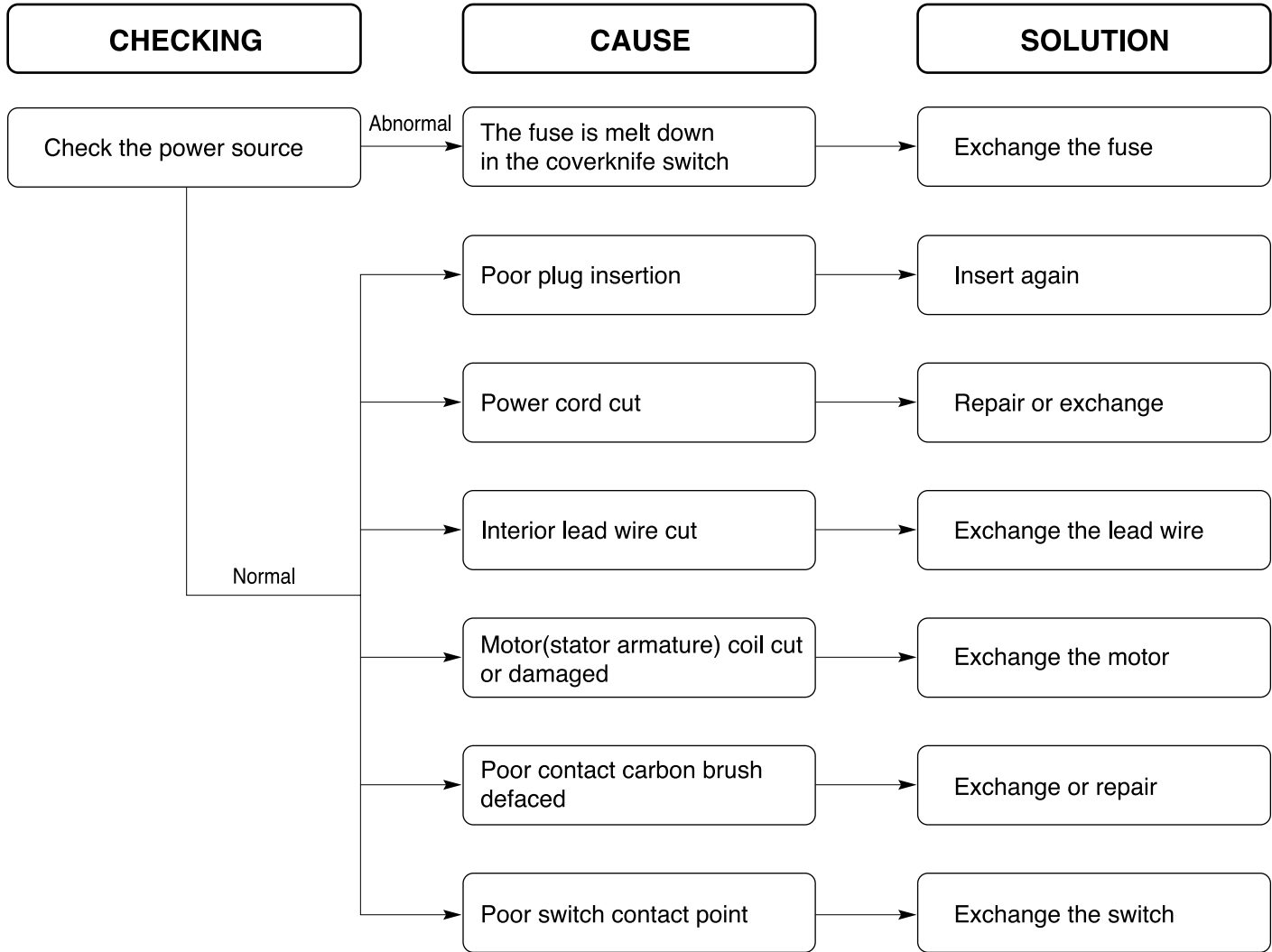
### 6. Fiter Supporter Replacement

- Pull the handle on the Filter Supporter.

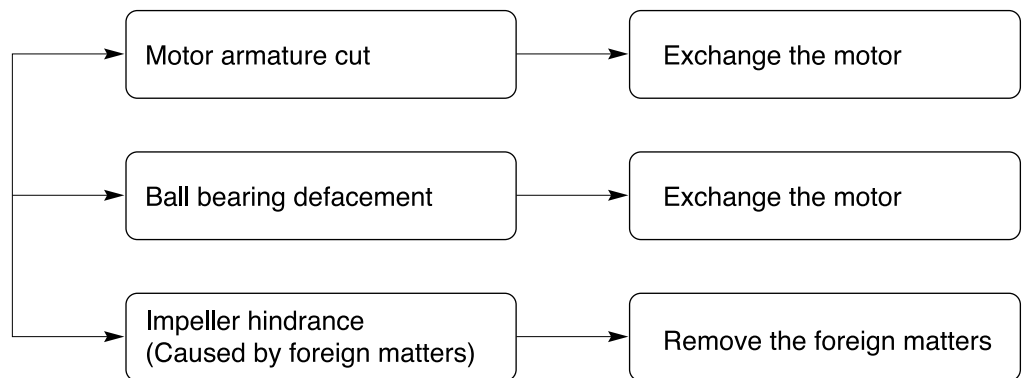


# TROUBLE SHOOTING

## 1. SWITCH ON BUT MOTOR DOES NOT RUN.

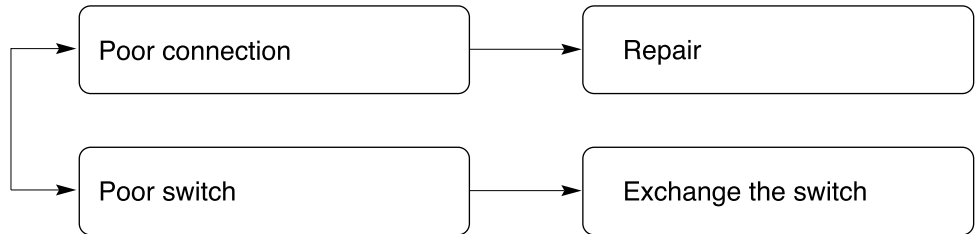


## 2. SWITCH ON, MOTOR DOES NOT RUN BUT BUZZES.

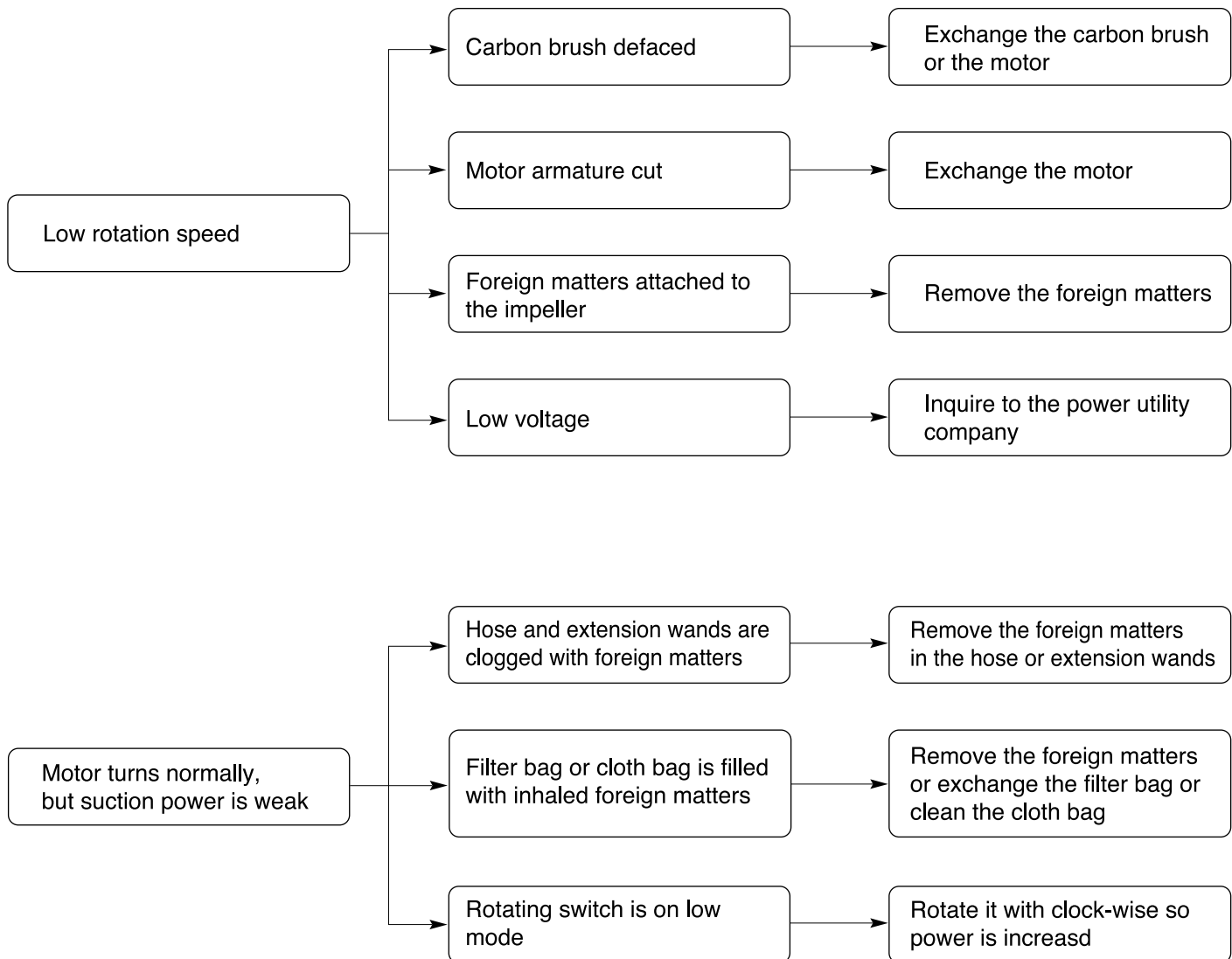


---

### 3. SWITCH OFF BUT MOTOR RUNS.

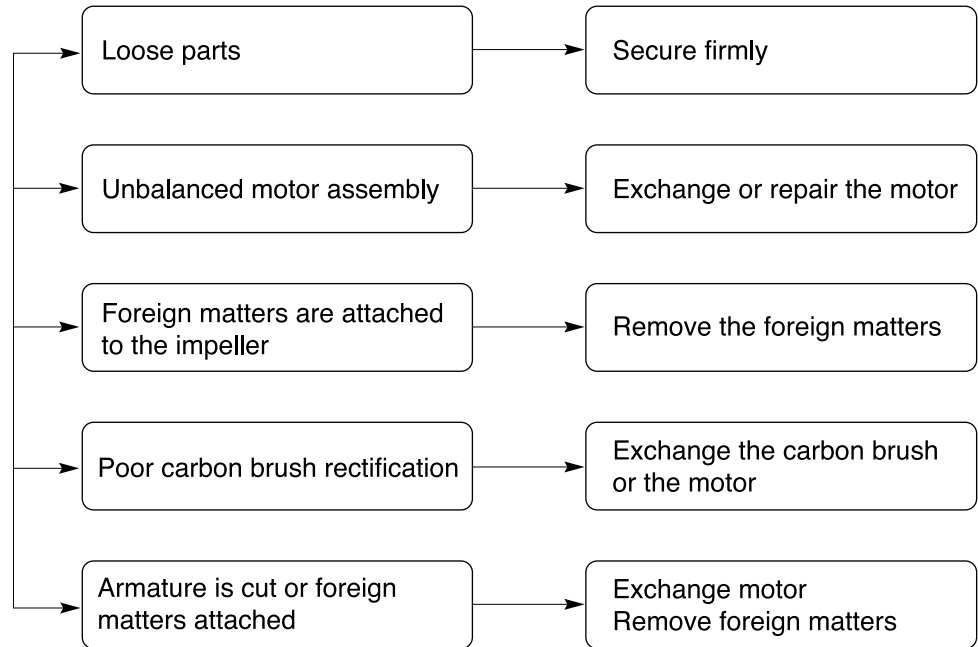


### 4. WEAK SUCTION POWER

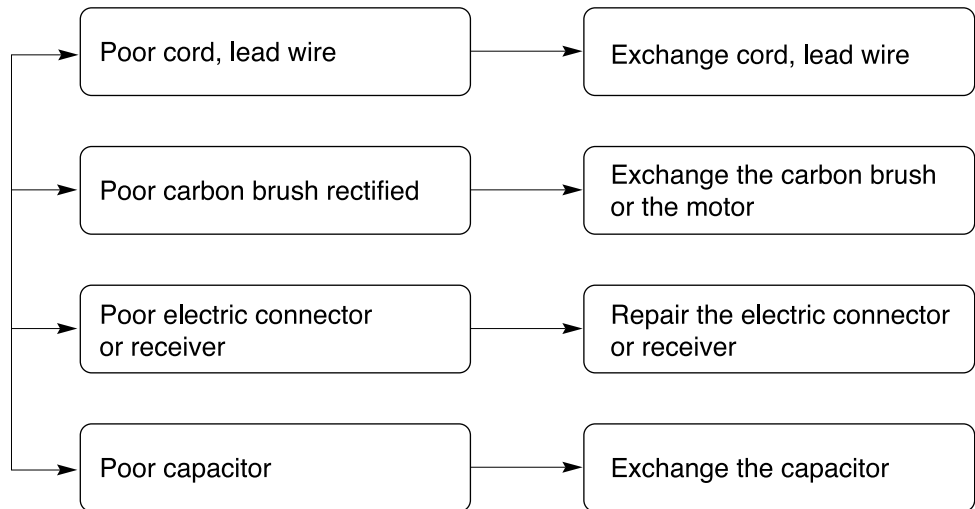


---

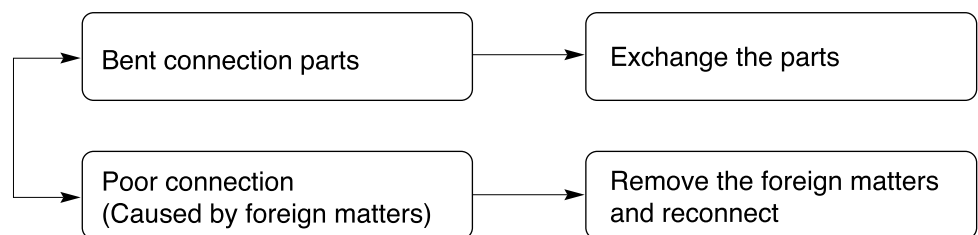
## 5. VIBRATION NOISES



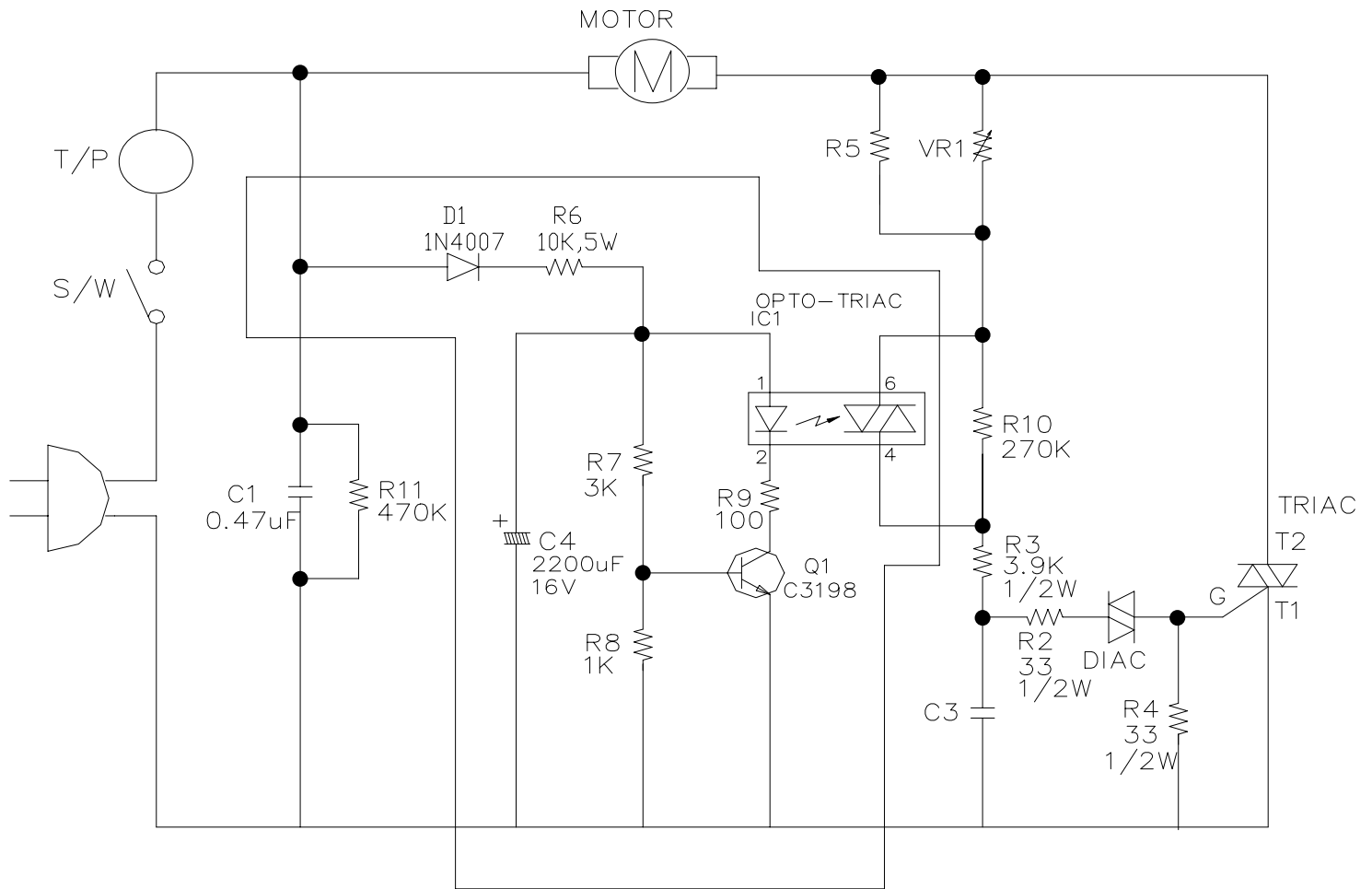
## 6. RADIO, TV RECEPTION DISTURBANCE



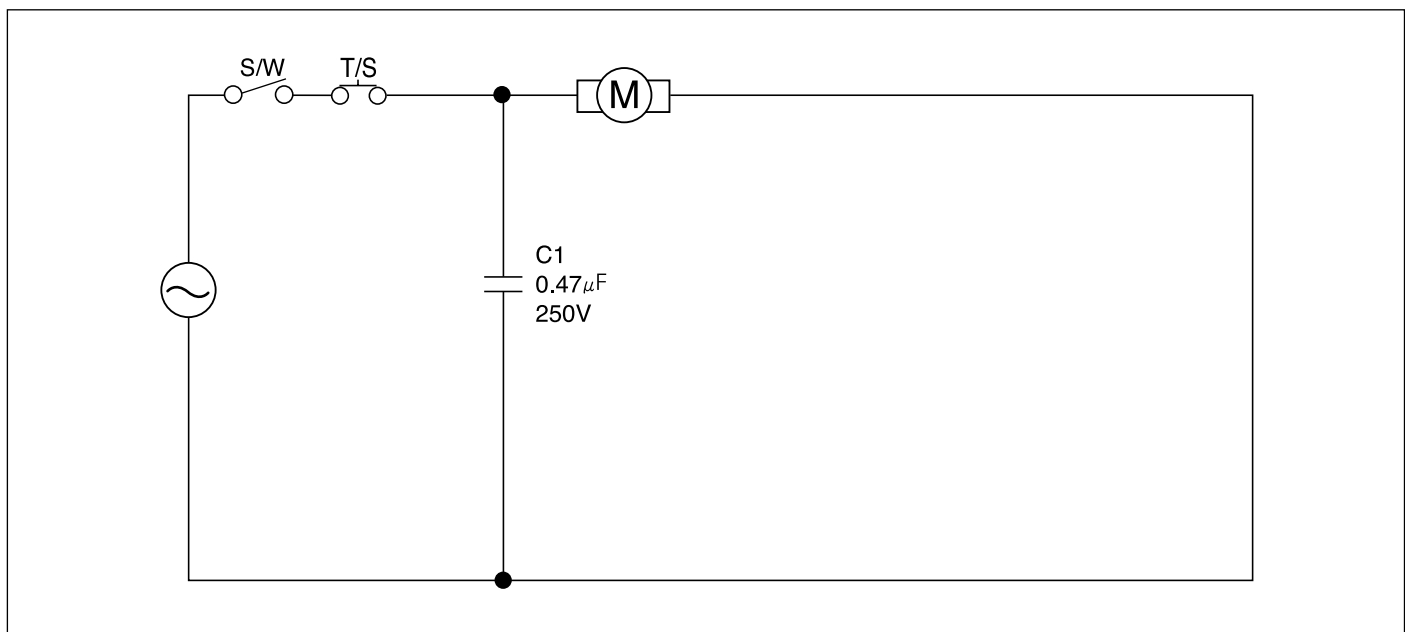
## 7. IMPROPER TUBE OR NOZZLE CONNECTION



# SCHEMATIC DIAGRAM

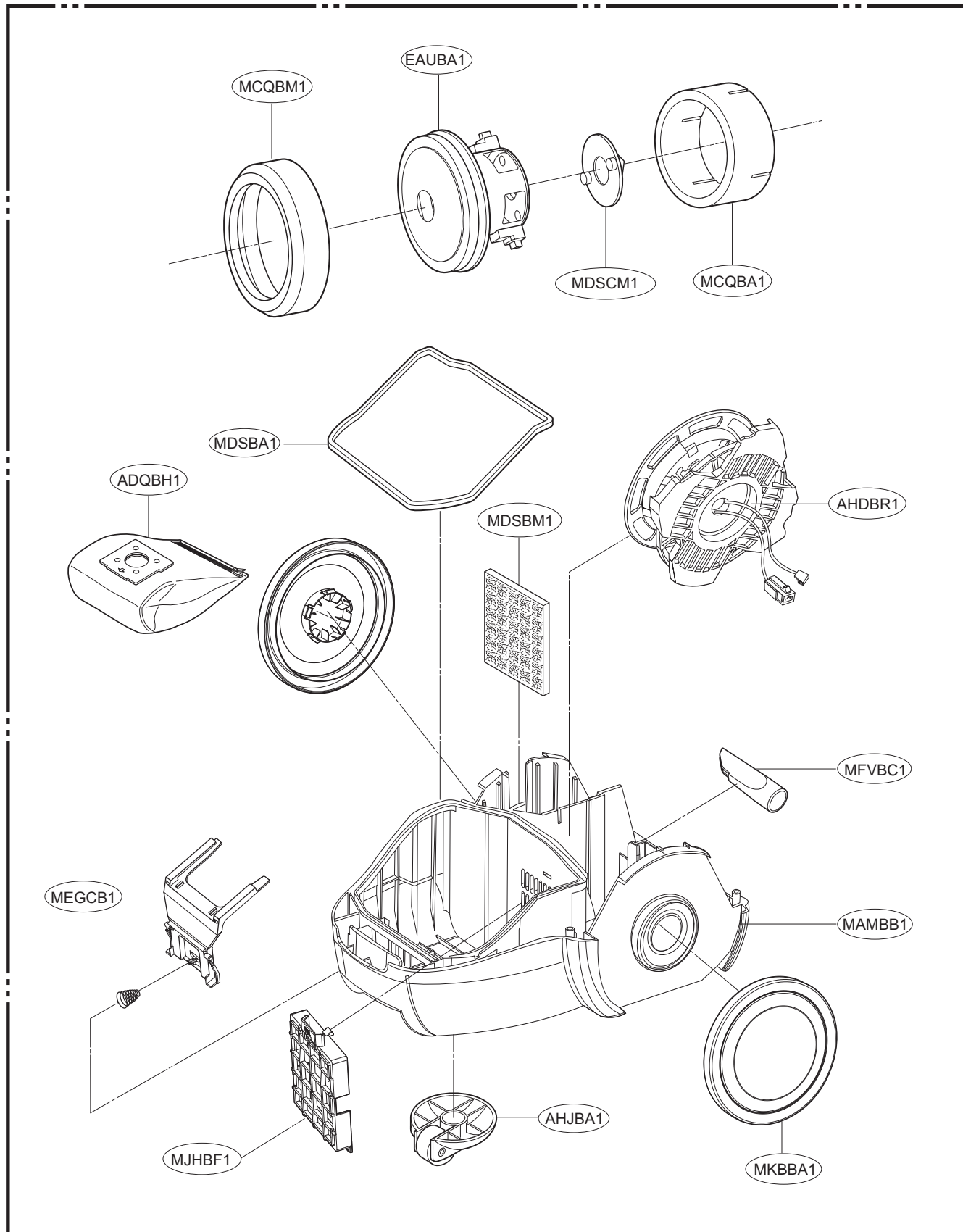


# PRINTED CIRCUIT DIAGRAM

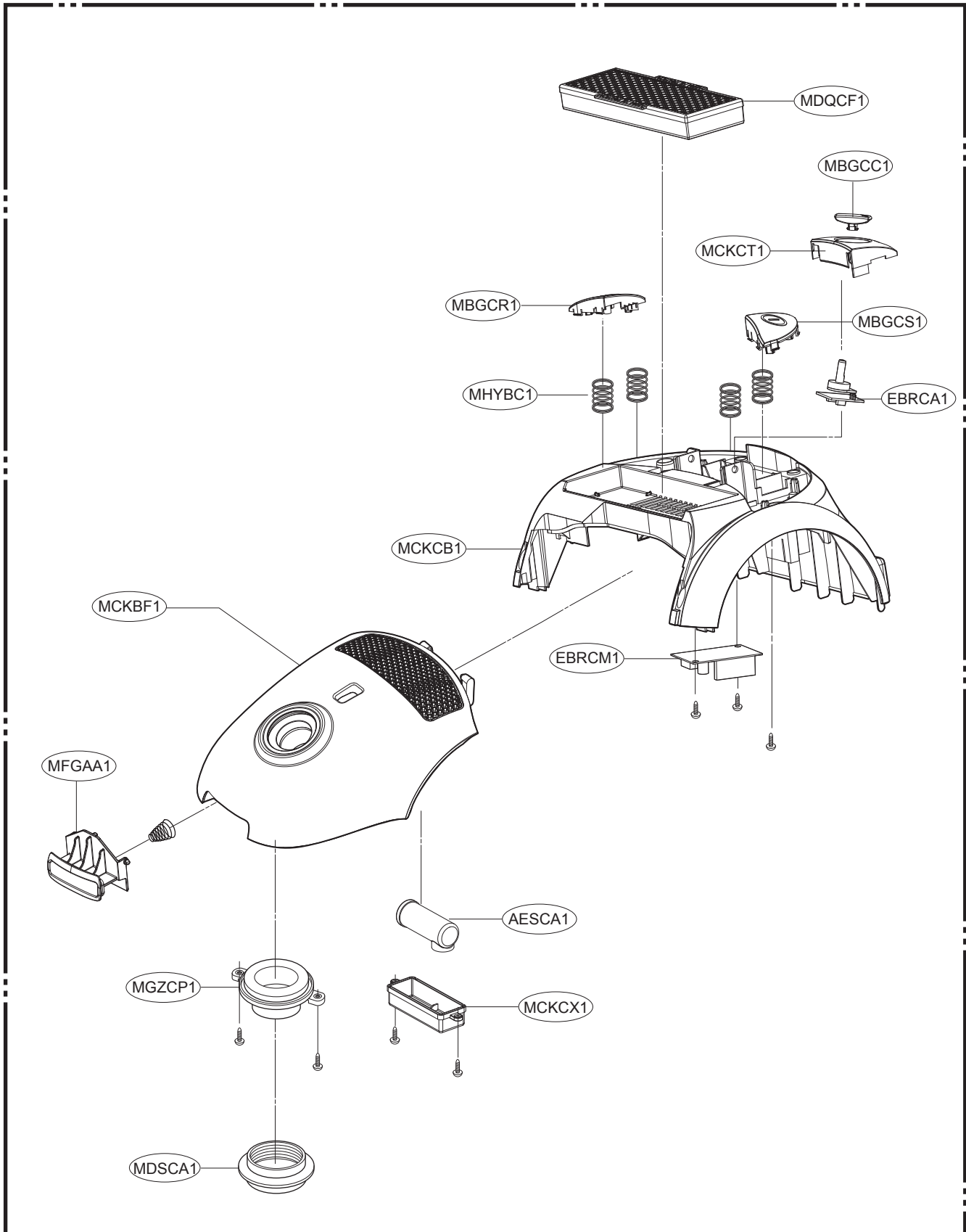


# EXPLODED VIEW

## BASE ASSEMBLY, BODY



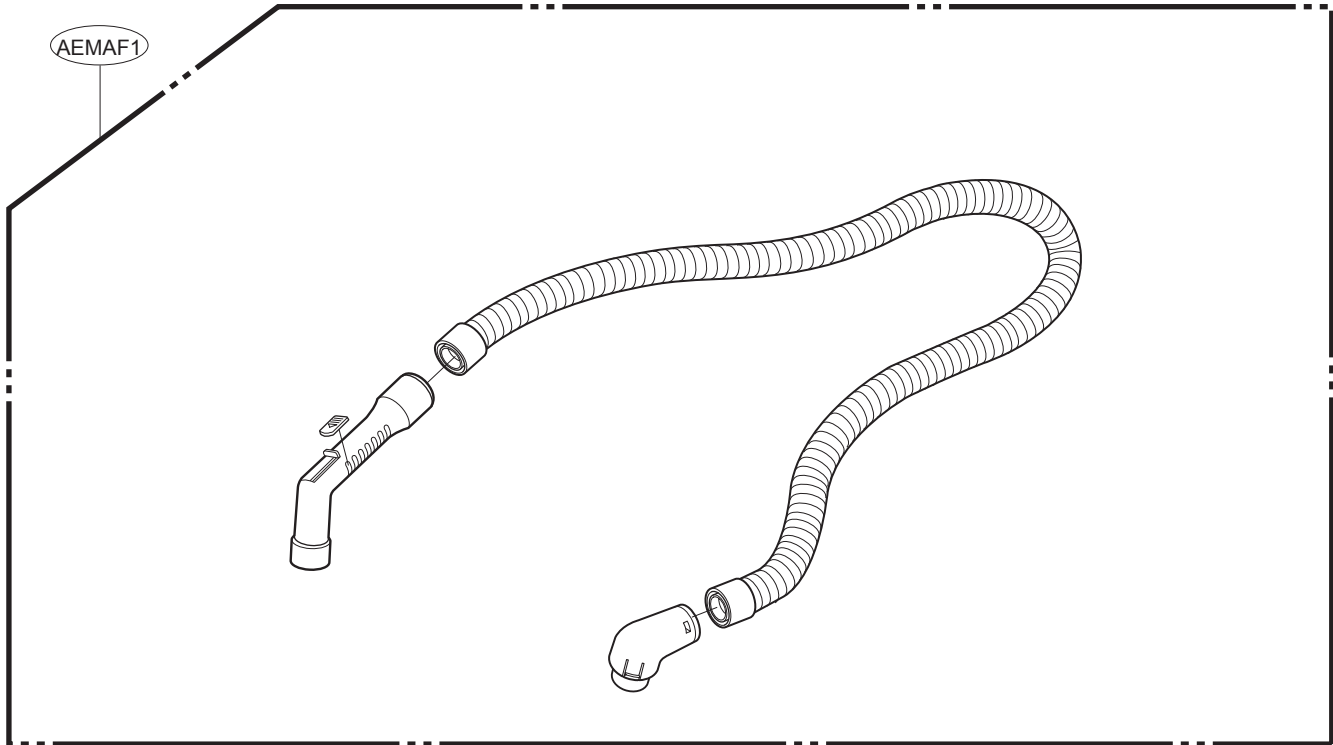
# COVER ASSEMBLY, BODY



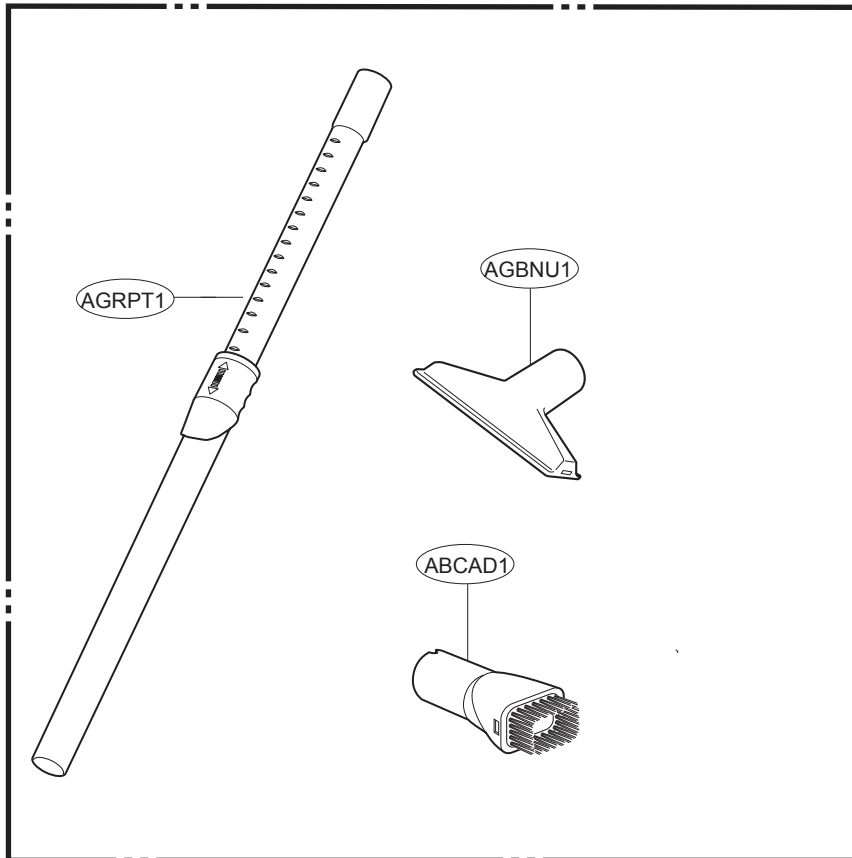


# ACCESSORIES

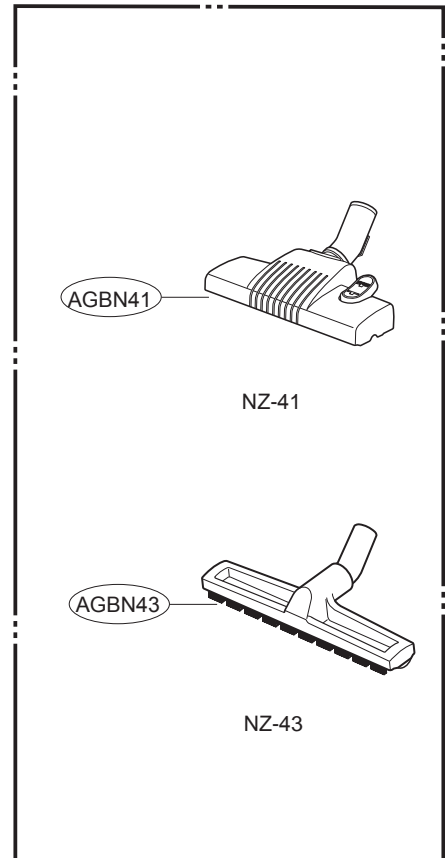
## HOSE ASSEMBLY, FLEXIBLE



## PIPE ASSEMBLY

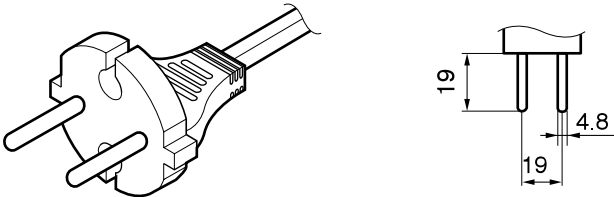


## NOZZLE ASSEMBLY



# APPENDIX

## 1. THE TYPE OF POWER CORD & PARTS NUMBER

TYPE	TYPE OF PLUG	POWER CORD ASS'Y P/NO	CORD REEL ASS'Y P/NO.(L/NO.:146871)
C-2		6411FI3299B 6411FI2452A	4687FI1489T 4687FI1489V

# MEMO

---

