

Model	VF5718***		
Language	English/Russian/Arabic		
Page	64	Color(cover/body)	2/1
Material	100g	Size(W*H)	145*215
Date	2009/03/28	Designer	YANGZHIHUA
Part No.	MFL56848302	Description	MANUAL, OWNERS

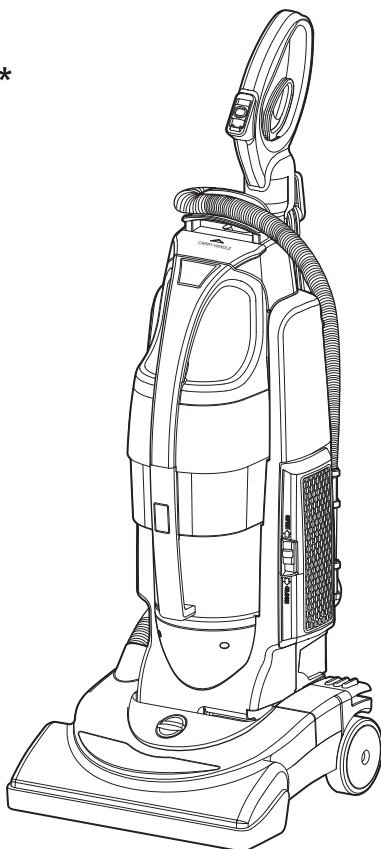
Chage Record

No.	Change content	ECO No.	Date	Designer	Confirm
①					
②					
③					
④					
⑤					
⑥					
⑦					
⑧					
⑨					



Upright Vacuum Cleaner Owner's Manual

MODEL: VF5718 * * *



**PLEASE READ THIS MANUAL
THOROUGHLY AND CAREFULLY BEFORE
OPERATING THE VACUUM CLEANER**

P/No.: MFL56848302

TABLE OF CONTENTS

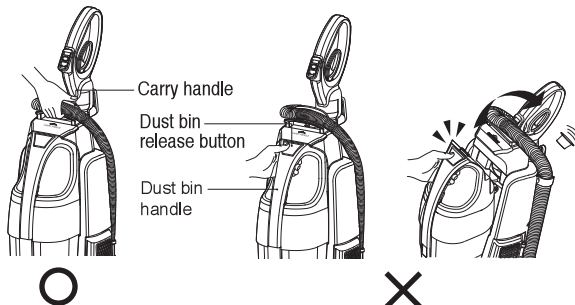
INFORMATION FOR YOUR SAFETY.....	3-4
PARTS AND FEATURES	5
TELESCOPIC HANDLE RELEASE	6
CORD RELEASE	6
SWITCH OPERATION	7
BODY RELEASE AND POSITIONS.....	7
RECOMMENDED PILE HEIGHT SETTINGS	7
ATTACHMENT USE CHART	8
VACUUMING TIPS	8
ATTACHMENTS.....	8
PERFORMANCE FEATURES.....	10
VACUUM CLEANER CARE.....	11
Vacuum Storage	11
Dust bin assembly.....	11
Dust bin cleaning	12
Filters cleaning / changing	13
Belt Changing and Agitator Cleaning.....	14
Cleaning exterior.....	16
Removing clogs	16
TROUBLESHOOTING	17

INFORMATION FOR YOUR SAFETY

Please read all the following information, which contains important instructions for the safety, the use and the maintenance of the appliance.

This appliance complies with the following EC Directives: -2006/95/EC ,
-Low Voltage Directive -2004/108/EC -EMC Directive.

- Never allow children to use the appliance unsupervised.
- Do not allow it to use as a toy, injury could result.
- Do not continue to the cleaner if any appears to be faulty, missing or damaged.
In these cases, contact an approved LG Electronics Service Agent.
- Repairs, when necessary, must be performed at an approved LG Electronics Service Agent.
- Use only parts produced and recommended by LG. Otherwise, it could invalidate your warranty.
- Do not use without the dust bin or air filter.
- Do not use the vacuum cleaner If the power cord is damaged or faulty.
- If the power cord is damaged, it must be replaced by an approved LG Electronics Service Agent to avoid a hazard.
- Do not unplug by pulling on cord.
- Do not pull on the supply cord, run over it, pull it around sharp edges or near/over hot surfaces.
- Always turn the vacuum cleaner off before:
 - Emptying the dust bin.
 - Cleaning or changing the filter.
 - Removing from the mains outlet.
- Do not leave vacuum cleaner with the plug connected to a mains outlet-unplug when not in use.
- Do not use the vacuum with any of the openings blocked with any object that may restrict the airflow.
- Do not put any part of the body, clothes or any object (e.g. stick) or into the opening or moving parts of the cleaner.
- Do not use outdoors.
- Do not vacuum hot ash, embers etc. or sharp objects.
- Do not vacuum flammable or explosive substances(liquids or gases).
- Do not vacuum water or other liquids.
- Do not handle the cleaner or plug with wet hands.
- Do not immerse the whole cleaner in water.
- Do not use vacuum cleaner without repaired if it was under water.
- When you vacuum with an attachment appliance that has a rotating brush roller:
 - Do not reach into the running brush roller.
- This appliance is not intended for use by persons (including children) with reduced physical, sensory or mental capabilities, or lack of experience and knowledge, unless they have been given supervision or instruction concerning use of the appliance by a person responsible for their safety.
 - Children should be supervised to ensure that they do not play with the appliance.
- If the appliance is supplied from a cord extension set or an electrical portable outlet device, the cord extension set on electrical portable outlet device must be positioned so that it is not subject to splashing or ingress of moisture.
- Do not vacuum fine dust.
- Do not expose vacuum cleaner to heat.
- Do not hold the dust bin handle when you move the vacuum.
 - If you push the dust bin release button, the dust bin might be separated from the vacuum.
 - And then the alarm sounds after the vacuum turns off.
 - You should hold the carry handle when you move the vacuum.



INFORMATION FOR YOUR SAFETY

Thermal protector: This vacuum cleaner has a special thermostat that protects the cleaner in case of motor overheating. If the cleaner suddenly shuts off, turn off the switch and unplug the cleaner. Check the cleaner for a possible source of overheating such as a full dust chamber, a blocked hose or clogged filter. If these conditions are found, fix them and wait at least 30 minutes before attempting to use the cleaner. After the 30 minutes period, plug the cleaner back in and turn on the switch. If the cleaner still does not run, contact a qualified electrician.

Important for users in the UK.

The wires in the mains lead of this appliance are coloured in accordance with the following code:

BLUE-neutral

BROWN - live

VERY IMPORTANT:

Do not earth the appliance. If a 13 amp plug is fitted, fit a 13 amp **BS 1362 fuse**.

If any other type of plug is used, protect with a 15 amp fuse at the distribution board.

For appliances which come with mains lead and plug moulded on: the plug moulded on to the cable incorporates a fuse.

For replacement use a 13 amp BS 1362 fuse.

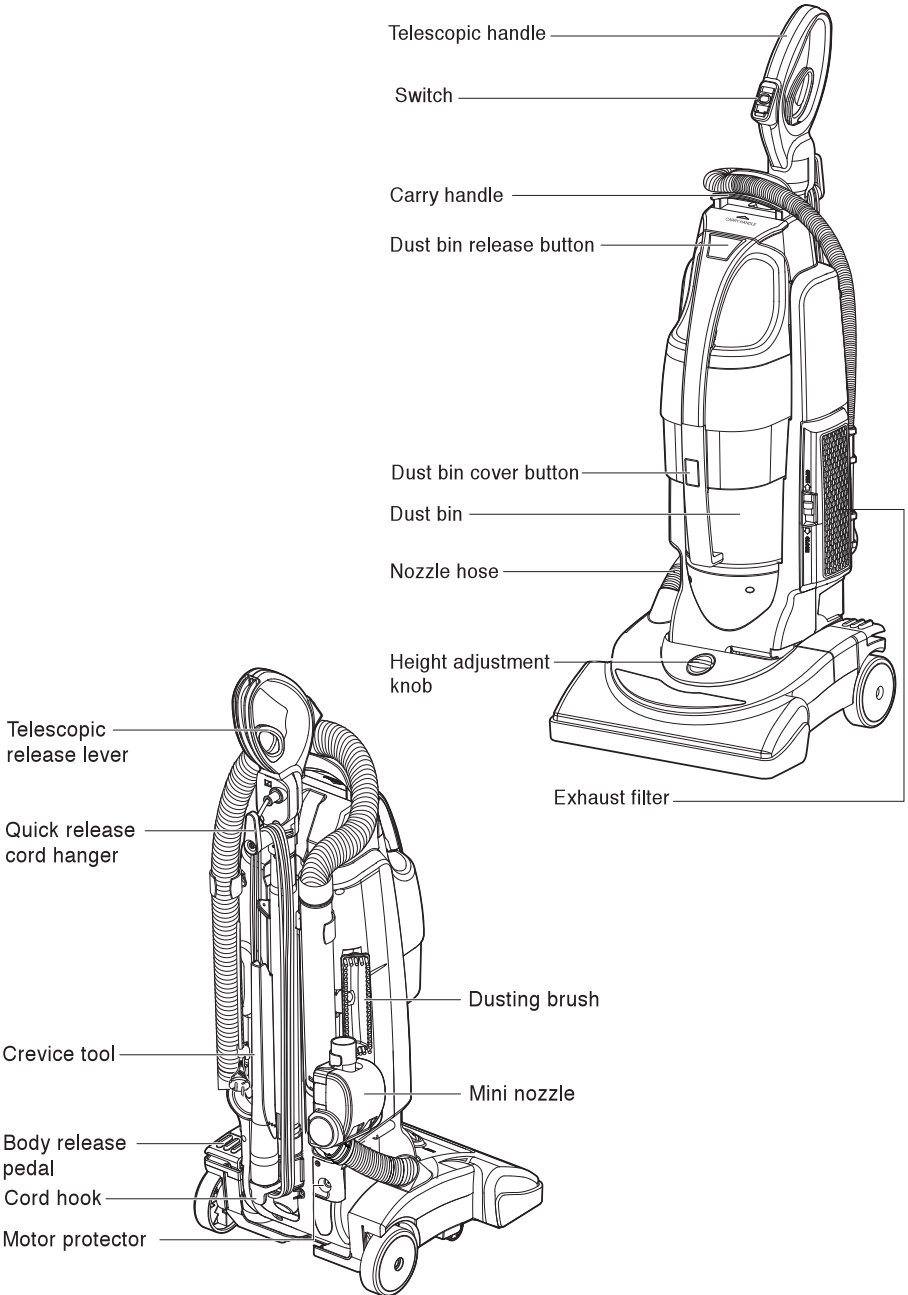
Only ASTA approved or certified fuses should be used.

The plug must not be used if the fuse cover/carrier is lost.

A replacement cover carrier must be obtained from authorised electrical goods retailers.

PARTS AND FEATURES

It is important to know your vacuum cleaner's parts and features to assure its proper and safe use. Review these before using your cleaner.

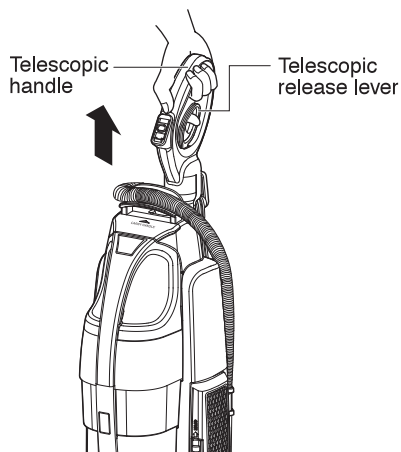


TELESCOPIC HANDLE RELEASE

Release the telescopic handle by pulling telescopic release lever up with fingers and pulling up the telescopic handle.

To lower the telescopic handle pull the telescopic release lever up with fingers and push down on the telescopic handle.

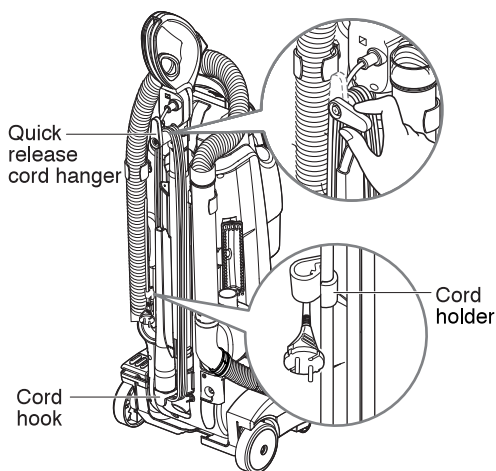
Note : For your convenience, adjust telescopic handle height properly to your height.



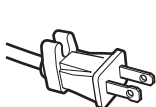
CORD RELEASE

Turn the quick release cord hanger to either side to release the power cord.

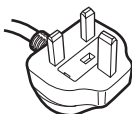
To store the power cord, wrap the power cord around the quick release cord hanger and hook, and clip the plug onto the power cord with cord holder.



Plug shape:



NORTH AMERICA



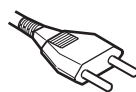
UK



AUSTRALIA



EU

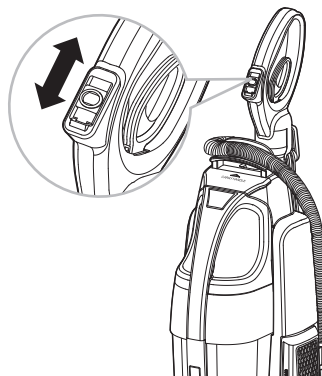


ISRAEL

SWITCH OPERATION

Switch operation

- Off
- Floor: Hard floors (Agitator off)
- Carpet: Agitator on



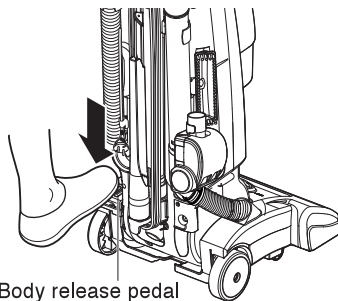
WARNING

Personal injury hazard

To avoid personal injury, do not turn switch On/Off if the vacuum or your hand is wet.

BODY RELEASE AND POSITIONS

Release the vacuum body by pressing down on the body release pedal with your foot and pulling back and down.



RECOMMENDED PILE HEIGHT SETTINGS

To select a pile height setting :

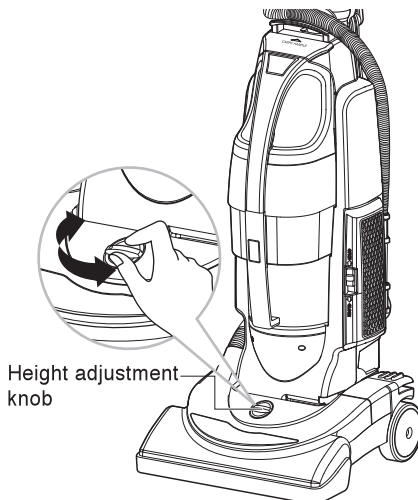
Turn off cleaner first. Select a pile height setting by using height adjustment knob. Rotate the adjustment knob to the correct setting position.

Suggested pile height settings :

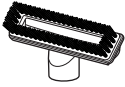

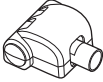
You may need to raise the height to make some jobs easier, such as scatter rugs and longer pile carpets.

For easiest adjustment, place cleaner in full upright position.

Attention: Special care is required when vacuuming certain types of carpet or floor covering. Always check the carpet or floor covering manufacturer's recommended cleaning instructions before vacuuming.



ATTACHMENT USE CHART

ATTACHMENT	CLEANING AREA				
	Furniture*	Between Cushions*	Drapes*	Stairs	Walls
DUSTING BRUSH 	X	X	X	X	X
CREVICE TOOL 		X		X	X
MINI NOZZLE 		X		X	X

* Always clean attachments before using on fabrics.

VACUUMING TIPS

Carpet edges

Use attachments such as crevice tool, dusting brush, Mini-nozzle on carpet edges.
See page 8, 9



WARNING

Personal Injury Hazard

Use care if vacuum cleaner is placed on stairs. If it falls, personal injury or property damage could result.

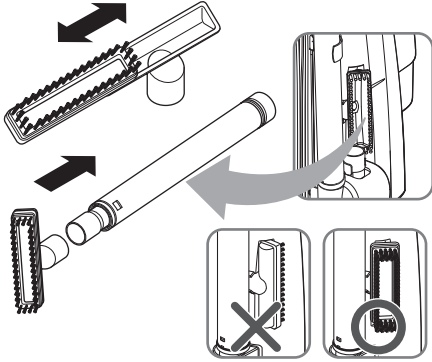
ATTACHMENTS

To use attachments

- 1) Place the cleaner on a flat surface.
Remove the wand off the body by grasping and rotating while pulling up.
- 2) Set pile height to high
- 3) Place switch in "Floor" mode.

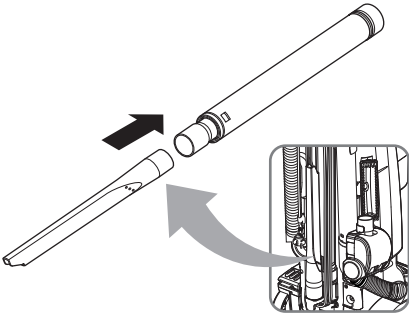
Dusting brush:

Functions as a dusting brush, also an upholstery nozzle which is useful for furniture, shelves etc. Attach as shown.

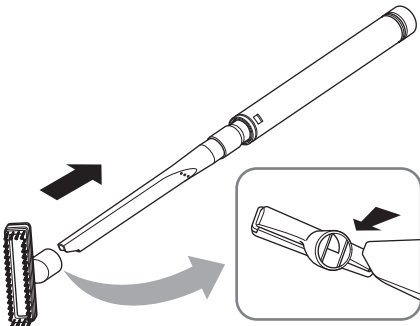


Crevice tool:

Crevice tool is attached as shown and used for corners, between cushions etc.

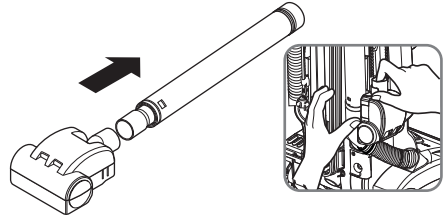


Note : For added reach the dusting brush can be used with crevice tool as shown.



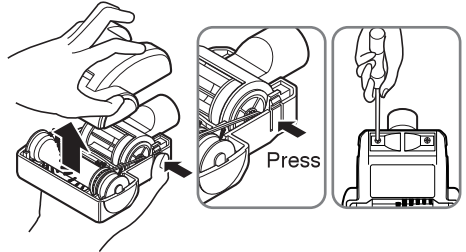
Mini-nozzle

Mini-nozzle is attached as shown and used for stairs and other hard to reach places.



To Remove Mini-nozzle cover:

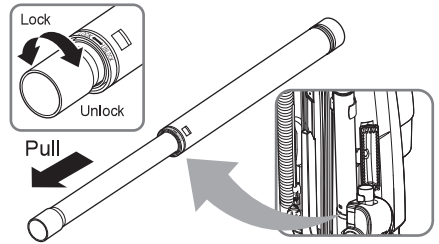
Remove 2 screws on the bottom and take Mini-nozzle cover off as shown.



Frequently check and remove hair, string, and lint build-up the brush area. Failure to do so could cause damage to Mini-nozzle.

To extend wand:

Rotate the wand to unlock and pull.



CAUTION

Do not pull the vacuum cleaner around the room by the hose. Property damage could result.

TO STORE ATTACHMENTS

Return the wand to its position on the body and the attachments to their holders.

PERFORMANCE FEATURES

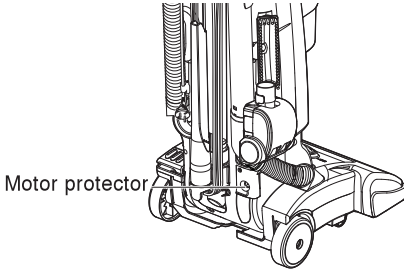
Motor protector

This vacuum has a motor protector bypass valve which automatically opens to provide cooling air to the motor when a clog prevents the normal flow of air to the motor. If the bypass valve opens to prevent motor overheating and possible damage to the vacuum, you will notice a change of sound as air rushes through the valve opening.

NOTE: Do not block motor protector.

To correct problem: Check for and remove clogs. See CLOG REMOVAL section.

NOTE: The motor protector may open when using attachments or when cleaning new carpet, due to reduced airflow caused by the attachments themselves or by new carpet fiber filling the dust bin quickly.



Thermal protector

This vacuum has a thermal protector which automatically trips to protect the vacuum from overheating. If a clog prevents the normal flow of air to the motor the thermal protector turns the motor off automatically to allow the motor to cool in order to prevent possible damage to the vacuum.

To correct problem: If this occurs, turn the vacuum off and unplug the power cord from the outlet to allow the vacuum to cool. Check for and remove clogs, if necessary. Wait approximately thirty(30)minutes and plug the vacuum in and turn back on to see if the motor protector has reset. The thermal protector system will not reset until the vacuum has cooled down.

VACUUM CLEANER CARE

Always follow all safety precautions when cleaning and servicing the vacuum cleaner.



WARNING

Electrical shock and personal injury hazard.

Disconnect electrical supply before servicing or cleaning the unit. Failure to do so could result in electrical shock or personal injury from cleaner suddenly starting.

VACUUM STORAGE

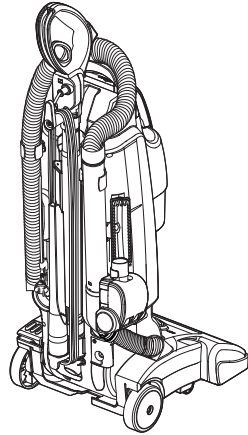
To store the vacuum cleaner when it is not used, assemble its cord and return its telescopic handle to its lower space saving position.



WARNING

Electrical shock and personal injury hazard.

Wrapping the cord too tightly puts stress on the cord and can cause cord damage. A damaged cord is an electrical shock hazard and could cause personal injury or damage.



DUST BIN ASSEMBLY

Dust bin lid

The dust bin lid covers up the dust bin.

Air filter

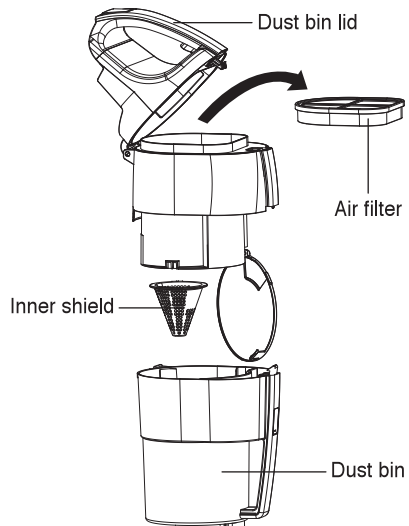
The air filter the fine dust from dust bin.

Inner shield

The inner shield traps large dirt and debris that is picked up by the suction.

Dust bin

Where dirt is collected.



DUST BIN CLEANING

For best performance always empty the dust bin when the dust is full.

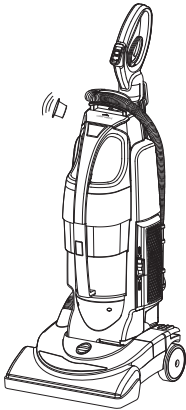


WARNING

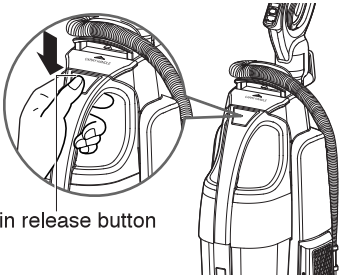
Electrical shock and personal injury hazard.

Always unplug power cord from electrical outlet before performing any service on vacuum.

When the alarm sounds, check the dust bin. If the dust bin is full, empty the dust bin.

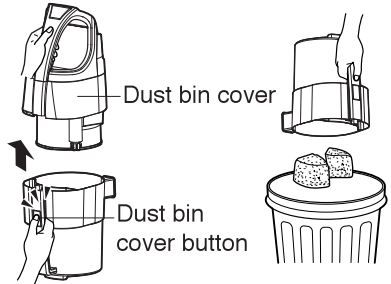


TO REMOVE DUST BIN, push the dust bin release button and pull the bin out of cleaner.



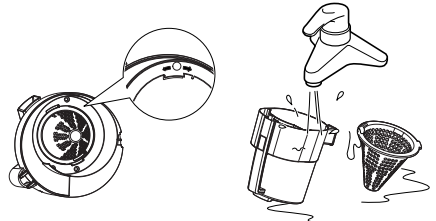
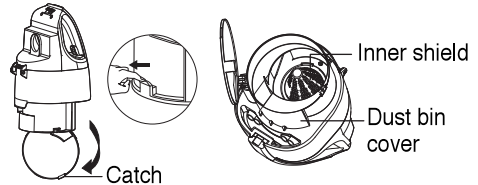
Dust bin release button

TO EMPTY DUST BIN, push the dust bin cover button as shown, separate the dust bin cover from the dust bin and remove dust.

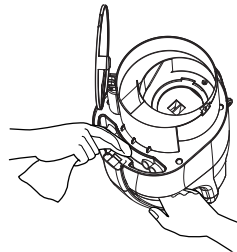


Note : When replacing the dust bin in the vacuum you need to push and snap it. Make sure that dust bin is fully engaged otherwise suction power could be low.

TO CLEAN DUST BIN remove catch on dust bin cyclone and separate the inner shield from the dust bin cover as shown.

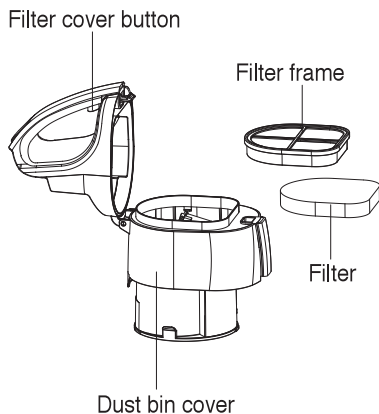


Do not use wet dust bin and inner shield. When reuse, dry completely.



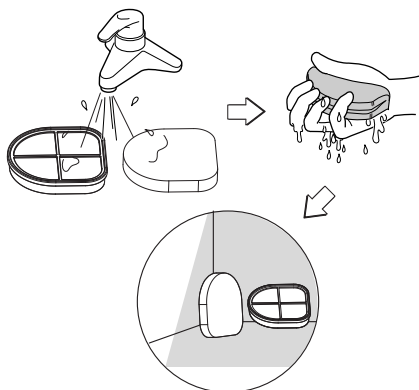
Clean dust bin cover with a cloth and brush to remove fluff or debris. And **DO NOT USE ANY LIQUID AND WATER.**

FILTERS CLEANING / CHANGING



Press the filter cover button and separate the filter frame and the filter from the dust bin cover as shown.

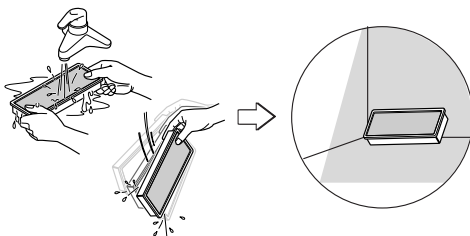
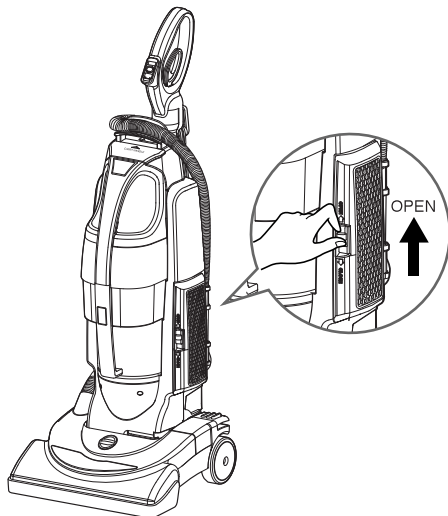
Clean the filter frame and the filter in cold water only. **DO NOT USE DETERGENT OR SOAP.**



Let filter dry for 24 hours in the shade before putting it back.

TO CLEAN EXHAUST FILTER

Remove exhaust filter from vacuum and clean the filter in cold water only. **DO NOT USE DETERGENT AND SOAP.**



Allow exhaust filter to dry 24 hours in the shade before putting it back. Make sure that the filters dry completely.

FOR OPTIONAL PERFORMANCE, CHECK FILTERS FREQUENTLY AND CLEAN WHEN DIRTY.



CAUTION

Wet filter can cause permanent damage to cleaner.
Ensure that all filters dry completely.

The cycle of the cleaning.

- Air filter - Every 2 months.
- Exhaust filter - Once a year.

BELT CHANGING AND AGITATOR CLEANING



WARNING

Electrical shock and personal injury hazard.

Disconnect electrical supply before servicing or cleaning the unit. Failure to do so could result in electrical shock or personal injury from cleaner suddenly starting.

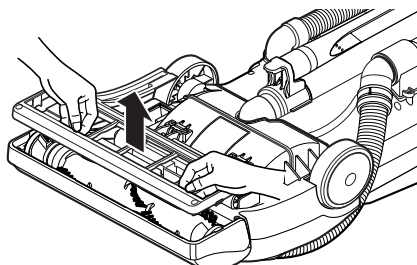
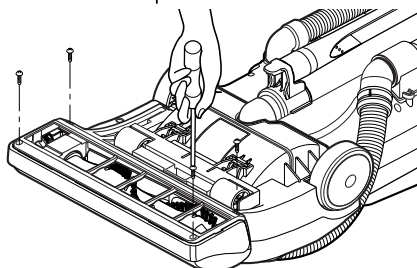
Frequently check and remove hair, string, and lint build-up in the agitator brush area. If build-up becomes excessive, follow the steps below. Should the belt become loose or should it break, follow the belt removal instructions.

NOZZLE BOTTOM PLATE REMOVAL / INSTALLATION

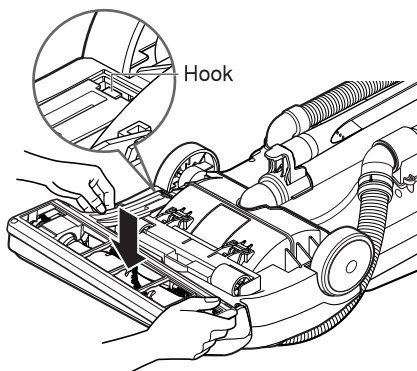
Disconnect electrical supply, press body release pedal and rotate body down, so the cleaner is laying flat on the floor.

To protect the floor surface place paper under the nozzle and work area.

Remove 4 screws from the bottom as shown. Remove the bottom plate as shown.



Check and remove hair, string, and lint build-up in the agitator brush area. To replace nozzle bottom plate, should regulation be placed in its place and reinstall things you removed.



WARNING

Personal injury hazard

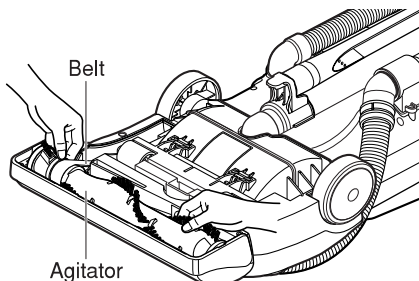
Always unplug the vacuum cleaner before cleaning the brush area as agitator may suddenly restart. Failure to do so can result in personal injury.

TO REMOVE BELT / CLEAN AGITATOR

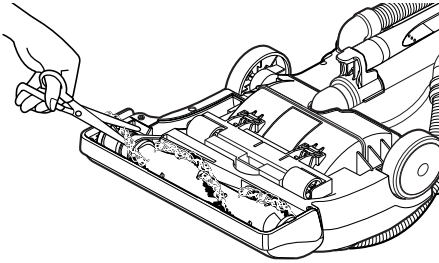
Position hands on opposite ends of the agitator. If the belt is still attached to the agitator, there will be tension on it.

Carefully lift the right end of the agitator and then lift the other end.

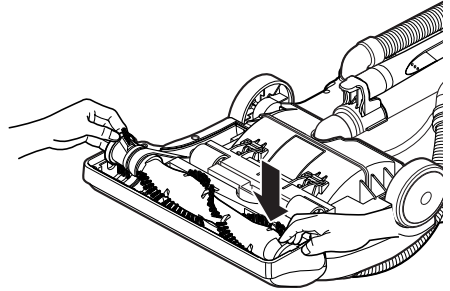
Remove the worn or broken belt from the motor drive shaft and clean the agitator.



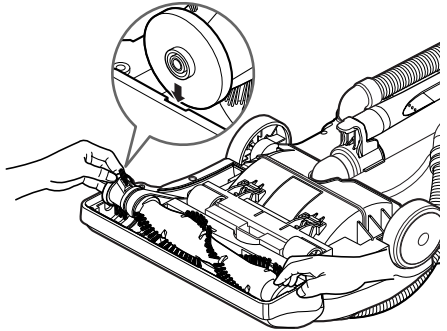
Remove string or hair that may be wrapped around the agitator.



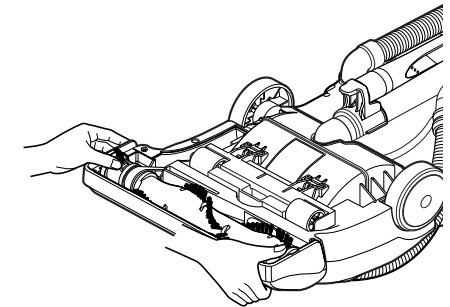
To seat agitator right end, pull both end of agitator forward and seat it into nozzle base.




To seat agitator left end, put left end of agitator into slot in nozzle base as shown.



Press firmly, checking to see that each end is completely inserted. And then turn agitator making sure that belt turns freely and is not pinched between agitator and agitator shield.

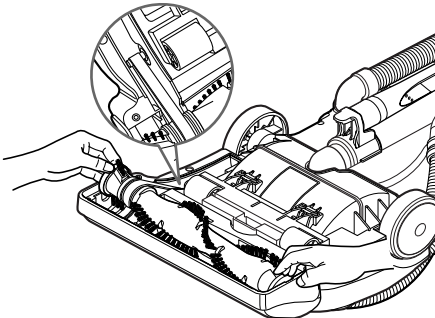


To replace the nozzle bottom plate, follow the NOZZLE BOTTOM PLATE REMOVAL / INSTALLATION section.(Page 14)

 **WARNING**
Be careful when removing the agitator as the belt tension is high. Failure to do so could result in personal injury from the agitator releasing quickly and snapping away.

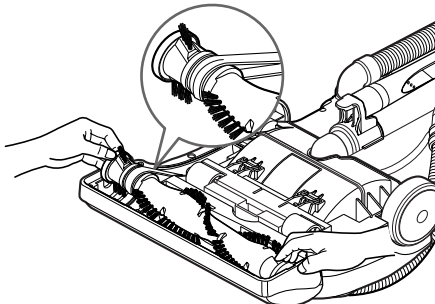
TO REPLACE BELT

Seat the right end of agitator into nozzle base.



Loop the new belt on the motor shaft.

Loop the other end of belt onto the belt pulley on the left end of agitator.



CLEANING EXTERIOR

Unplug power cord from wall outlet. Clean exterior using a clean, soft cloth that has been dipped in a solution of mild liquid detergent and water and wrung dry.

DO NOT drip water in the cleaner.

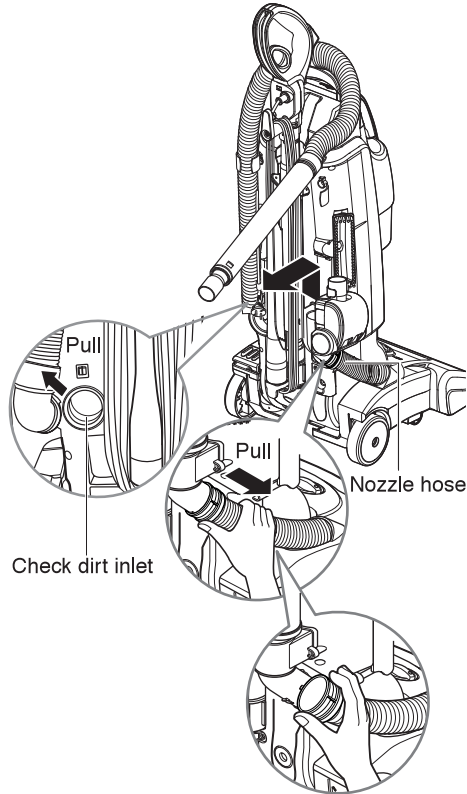
DO NOT clean tools in dishwasher or clothes washer. Wash tools in warm soapy water, rinse and air dry.

DO NOT use tools if they are wet.

REMOVING CLOGS

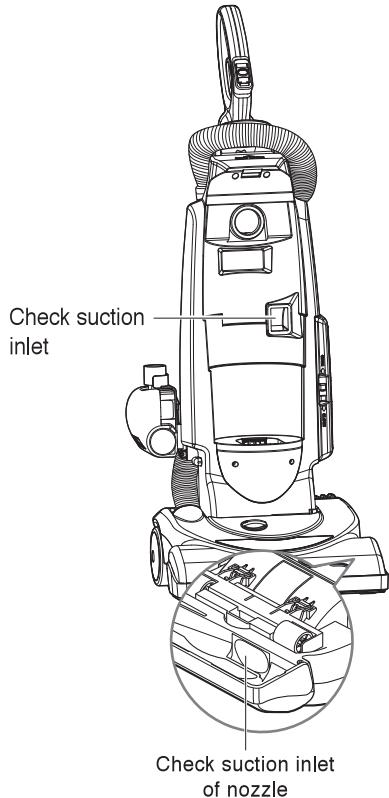
The hose located on the vacuum cleaner carries the dirt from the nozzle up to the dust bin. If the hose should become clogged :

Unplug vacuum. Remove the assembled wand, nozzle hose and check them.



Check the base of the hose for clogging as shown.

Check suction inlet and filters for clogs.



Note : Clogged filters can cause suction power to be low. To clean the filter, refer to FILTERS CLEANING / CHANGING section. (Page 13)

TROUBLESHOOTING

Review this chart to find do-it-yourself solutions for a minor performance problems. Additional service needed, other than those described in this owner's manual, should be performed at an authorized LG Electronics Service agency.

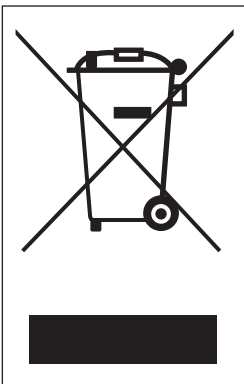


WARNING

Electrical shock and personal injury hazard.

Disconnect electrical supply before servicing or cleaning the unit. Failure to do so could result in electrical shock or personal injury.

PROBLEM	POSSIBLE CAUSE	POSSIBLE SOLUTION
CLEANER WILL NOT RUN	<ol style="list-style-type: none"> 1. Unplugged at wall outlet. 2. Switch in off position. 3. Thermal protector activated. 	<ol style="list-style-type: none"> 1. Plug in firmly, check Motor protection system / fuse. 2. Push switch to floor or carpet mode. 3. See "To correct problem", page 10.
POOR DUST COLLECTION	<ol style="list-style-type: none"> 1. Full or clogged dust bin. 2. Broken agitator belt. 3. Clogged hose or nozzle. 4. Hose not inserted fully 5. Worn agitator. 6. Hole in hose 7. Dust bin assembly improperly installed. 8. Belt not installed on motor shaft. 9. Motor protection system activated. 	<ol style="list-style-type: none"> 1. Empty dust bin and clean the filters. 2. Replace agitator belt. 3. Clean hose or nozzle area. 4. Insert hose. 5. Replace agitator. 6. Replace hose. 7. Properly install dust bin assembly. 8. Install belt on the motor shaft. 9. Check for clogs.
DUST ESCAPES THE DUST BIN	<ol style="list-style-type: none"> 1. Dust bin assembly improperly installed. 	<ol style="list-style-type: none"> 1. Properly install dust bin.
SWITCH ON, MOTOR TURNS OFF AND THE ALARM SOUNDS	<ol style="list-style-type: none"> 1. The dust bin is full. 2. The rotating blade in the dust bin is restricted by an obstacle. 3. The dust bin is in the wrong position. 	<ol style="list-style-type: none"> 1. Turn off the vacuum and empty the dust bin. 2. Turn off the vacuum and remove the obstacle from the dust bin. 3. Turn off the vacuum and reattach the dust bin in the correct position.



Disposal of your old appliance

1. When this crossed-out wheeled bin symbol is attached to a product it means the product is covered by the European Directive 2002/96/EC.
2. All electrical and electronic products should be disposed of separately from the municipal waste stream via designated collection facilities appointed by the government or the local authorities.
3. The correct disposal of your old appliance will help prevent potential negative consequences for the environment and human health.
4. For more detailed information about disposal of your old appliance, please contact your city office, waste disposal service or the shop where you purchased the product.

Note



Note



Note

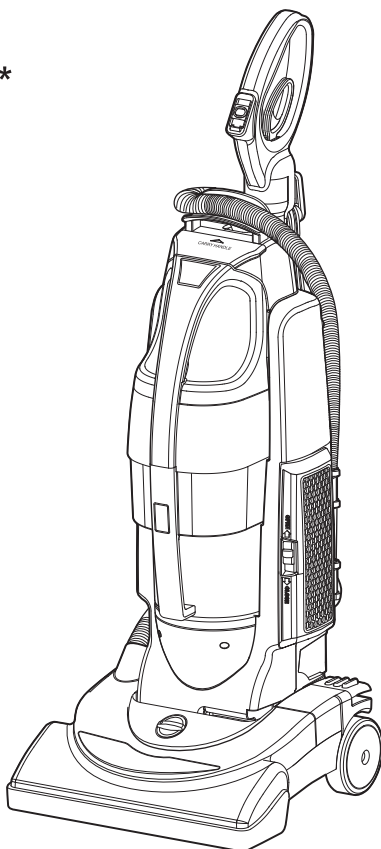






Вертикальный Пылесос Руководство Владельца

MODEL: VF5718 * * *



**ПОЖАЛУЙСТА ПРОЧИТАЙТЕ ЭТО РУКОВОДСТВО ПОЛНОСТЬЮ И
ТЩАТЕЛЬНО ПРЕЖДЕ, ЧЕМ УПРАВЛЯТЬ ПЫЛЕСОСОМ**

P/No.: MFL56848302

ОГЛАВЛЕНИЕ

ИНФОРМАЦИЯ ДЛЯ ВАШЕЙ БЕЗОПАСНОСТИ.....	3-4
ЧАСТИ И ОСОБЕННОСТИ.....	5
ТЕЛЕСКОПИЧЕСКИЙ ВЫПУСК РУЧКИ.....	6
ВЫПУСК ШНУРА.....	6
ОПЕРАЦИЯ ВЫКЛЮЧАТЕЛЯ.....	7
ВЫПУСК ТЕЛА И ПОЛОЖЕНИЯ.....	7
РЕКОМЕНДУЕМЫЕ ГРУДЫ НАСТРОЙКИ ВЫСОТЫ.....	7
ДИАГРАММА ИСПОЛЬЗОВАНИЯ ПРИЛОЖЕНИЯ.....	8
ПОДСКАЗКА УБОРКИ ПЫЛЕСОСОМ.....	8
ПРИЛОЖЕНИЯ.....	8
ОСОБЕННОСТИ РАБОТЫ.....	10
ВНИМАНИЕ ПЫЛЕСОСА.....	11
ВАКУУМНОЕ ХРАНЕНИЕ.....	11
СБОРКА МУСОРНОГО ВЕДРА ПЫЛИ.....	11
ОЧИСТКА МУСОРНОГО ВЕДРА ПЫЛИ.....	12
ЧИСТКА / ИЗМЕНЕНИЕ ФИЛЬТРОВ.....	13
ИЗМЕНЕНИЕ ПОЯСА И ОЧИСТКА АГИТАТОРА.....	14
ОЧИСТКА ВНЕШНОСТИ.....	16
УДАЛЕНИЕ ПОМЕХ.....	16
ПОИСК НЕИСПРАВНОСТЕЙ.....	17

ИНФОРМАЦИЯ ДЛЯ ВАШЕЙ БЕЗОПАСНОСТИ

Пожалуйста прочитайте всю следующую информацию, которая содержит важные инструкции для безопасности, использования и обслуживания прибора.

Этот прибор выполняет следующие Директивы ЕС:-2006/95/ЕС ,

-Низкое Напряжение Директивы-2004/108/ЕС-EMC Директивы.

Никогда не позволяйте детям использовать неконтролируемый прибор.

Не позволяйте этому использовать как игрушка, рана могла закончиться.

Не продолжайте на уборщика, если любой, кажется, является дефектным, отсутствуя или поврежденный.

В этих случаях, свяжитесь с одобренным Агентом Обслуживания Электроники LG.

Ремонт, когда необходимо, должен быть выполнен в одобренном Агентом Обслуживания Электроники LG.

Используйте только части, произведенные и рекомендуемые LG. Иначе, это могло лишить законной силы Вашу гарантию.

Не используйте без мусорного ведра пыли или воздушного фильтра.

Не используйте пылесос, Если шнур питания поврежден или дефектный.

Если шнур питания поврежден, он должен быть заменен одобренным Агентом Обслуживания Электроники LG, чтобы избежать опасности.

Не отключайте, надевая на шнур.

Не надевайте на шнур поставки, переезжайте его, тяните его вокруг острых краев или около/по горячих поверхностей.

Всегда выключайте пылесос прежде:

• Освобождение мусорного ведра пыли.

• Очистка или изменение фильтра.

• Удаление из выхода сети.

Не уезжайте пылесос со штепселем, связанным с выходом сети - отключают если не в использовании.

Не используйте вакуум с любым из открытий, заблокированных с любым объектом, который может ограничить поток воздуха.

Не помещайте часть тела, одежды или любого объекта (например, палка) или в открытые или движущиеся части уборщика.

Не используйте на открытом воздухе.

Не чистите горячий пепел пылесосом, тлеющие угольки и т.д. или острые объекты.

Не чистите огнеопасные или взрывчатые вещества пылесосом (жидкости или газы).

Не чистите пылесосом воду или другие жидкости.

Не обращайтесь с уборщиком или штепселем влажными руками.

Не погружайте целого уборщика в воду.

Не используйте пылесос без восстановленного, если это было под водой.

Когда Вы чистите пылесосом с прибором приложения, у которого есть вращающийся ролик щетки:

• Не достигайте бегущего ролика щетки.

Этот прибор не предназначен для использования людьми (включая детей) с уменьшенными физическими, сенсорными или умственными способностями, или нехваткой опыта и знания, если им не дал наблюдение или инструкцию относительно использования прибора человек, ответственный за их безопасность.

• Дети должны контролироваться, чтобы гарантировать, что они не играют с прибором.

Если прибор поставляется от набора расширения шнура или электрического портативного устройства выхода, набор расширения шнура на электрическом портативном устройстве выхода должен быть помещен так, чтобы это не подверглось плесканию или входу влажности.

Не чистите тонкую пыль пылесосом.

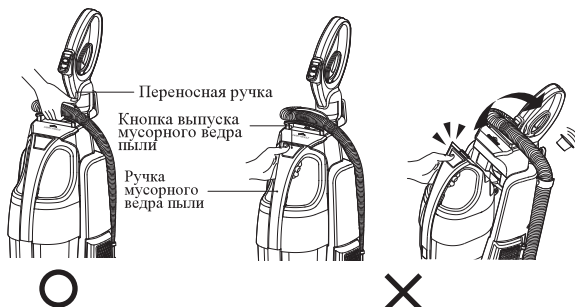
Не выставляйте пылесос, чтобы нагреться.

Не держите ручку мусорного ведра пыли, когда Вы перемещаете вакуум.

- Если Вы нажимаете на кнопку выпуска мусорного ведра пыли, мусорное ведро пыли могло бы быть отделено от вакуума.

И затем сигнальные звуки после вакуума выключают.

- Вы должны держать ручку для переноски , когда Вы перемещаете вакуум.



ИНФОРМАЦИЯ ДЛЯ ВАШЕЙ БЕЗОПАСНОСТИ

Устройство тепловой защиты: У этого пылесоса есть специальный термостат, который защищает уборщика в случае моторного перегрева. Если уборщик внезапно выключается, выключите выключатель и отключите уборщика. Проверьте моющее средство на возможный источник перегрева, такого как полная камера пыли, заблокированный шланг или забитый фильтр. Если эти условия найдены, поправлять их и ждать по крайней мере 30 минут прежде, чем попытаться использовать моющее средство. После периода этих 30 минут, включите уборщика назад и включите выключатель. Если уборщик все еще не бежит, свяжитесь с компетентным электриком.

Важный для пользователей в Великобритании.

Провода в сети этим прибором окрашены в соответствии со следующим кодексом:

СИНЕ-НЕЙТРАЛЬНЫЙ

КОРИЧНЕВЫЙ ЦВЕТ - живой

ОЧЕНЬ ВАЖНЫЙ:

Не делайте прибор, если 13 ампер штепселей приспособлены, установить 13 ампер BS 1362 предохранитель.

Если любой другой тип штепселя используется, защитите с 15 ампер плавкими предохранителями в доске распределения.

Для приборов, которые идут с сетью и формируемым штепселем: штепсель, формируемый на кабеле, включайте плавкий предохранитель.

Для замен используйте 13 ампер BS 1362 плавкий предохранитель.

Только ASTA одобрила или удостоверила, что плавкие предохранители должны использоваться.

Штепсель не должен использоваться, если покрытие/носитель плавкого предохранителя потеряно.

Замена носителя покрытия должна быть получена от уполномоченных электрических розничных продавцов товаров.

ЧАСТИ И ОСОБЕННОСТИ

Важно знать, что части Вашего пылесоса и особенности гарантируют его надлежащее и безопасное использование. Рассмотрите их прежде, чем использовать Ваше моющее средство.

Телескопическая ручка

Выключатель

Рукоятка для переноски

Кнопка выпуска мусорного ведра пыли

Кнопка закрытия мусорного ведра пыли

Мусорное ведро пыли

Шланг носика

Кнопка регулирования высоты

Выхлопной фильтр

Телескопический рычаг выпуска

Быстрая вешалка шнура выпуска

Инструмент щели

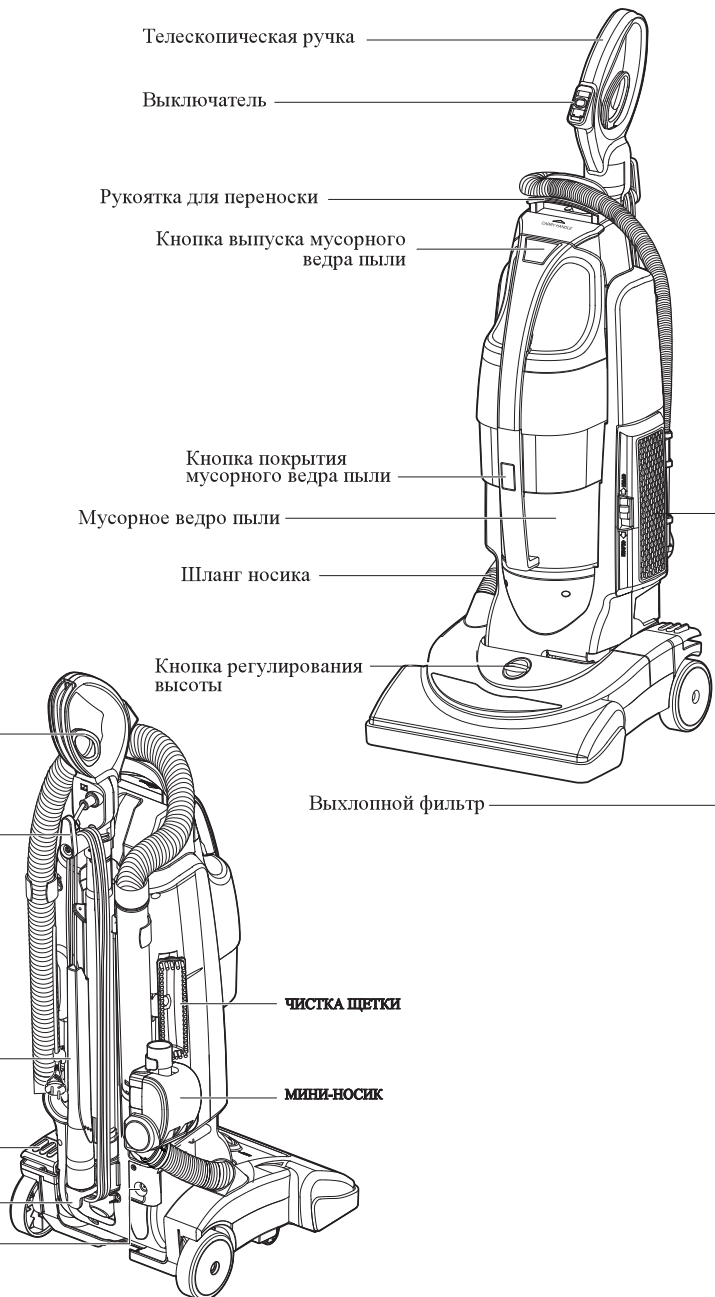
Педаля выпуска тела

Крюк шнура

Моторный защитник

ЧИСТКА ЩЕТКИ

МИНИ-НОСИК

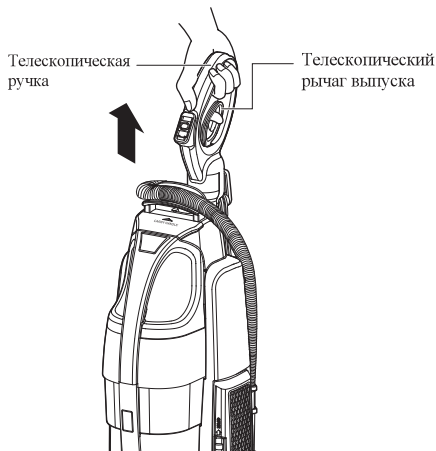


ТЕЛЕСКОПИЧЕСКИЙ ВЫПУСК РУЧКИ

Выпускать телескопическую ручку при натяжении телескопического выпуска, приподнять с трудом с пальцами и натяжением телескопической ручки.

Чтобы понизить телескопическую ручку, тянуть телескопический выпуск, приподнять с трудом с пальцами и отталкивать на телескопической ручке.

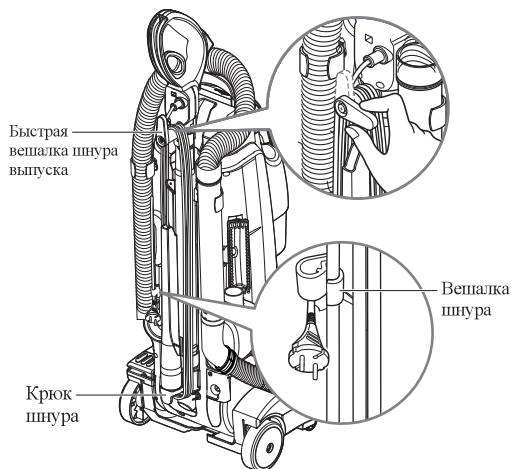
Отметьте: Для Вашего удобства, приспособьте телескопическую высоту ручки должным образом к Вашей высоте.



ВЫПУСК ШНУРА

Поверните быструю вешалку шнура выпуска к любой стороне, чтобы выпустить шнур питания.

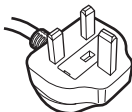
Чтобы сохранить шнур питания, оберните шнур питания вокруг быстрой вешалки шнура выпуска и крюка, и обрежьте штепсель на шнур питания с держателем шнура.



Форма штепселя



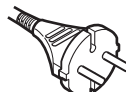
СЕВЕРНАЯ
АМЕРИКА



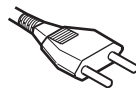
ВЕЛИКОБРИТАНИЯ



АВСТРАЛИЯ



ЕС

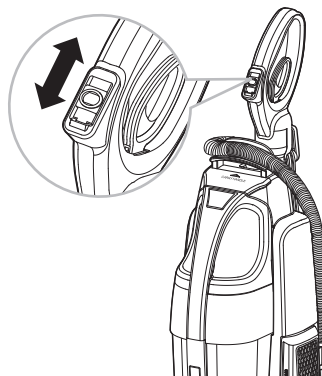


ИЗРАИЛЬ

ОПЕРАЦИЯ ВЫКЛЮЧАТЕЛЯ

Операция выключателя

- Зыключать
- Пол: Твердые полы (Агитатор выключает);
- Ковер: Агитатор включает



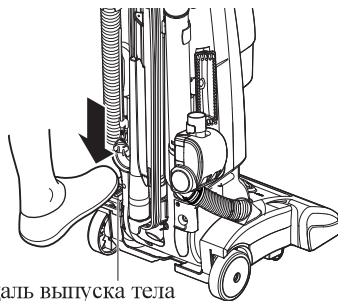
ПРЕДУПРЕЖДЕНИЕ

Опасность телесного повреждения

Чтобы избежать телесного повреждения, не поворачивайте выключатель Вкл/выкл, если вакуум или Ваша рука являются влажными.

ВЫПУСК ТЕЛА И ПОЛОЖЕНИЯ

Выпустите вакуумное тело, надавливая на педаль выпуска тела Вашей ногой и отступая и вниз.



Педадь выпуска тела

РЕКОМЕНДУЕМЫЕ ГРУДЫ НАСТРОЙКИ ВЫСОТЫ

Выбрать урегулирование высоты груды:

Выключите уборщика сначала. Выберите урегулирование высоты груды при использовании кнопки регулирования высоты. Вращайте кнопку регулирования к правильному положению урегулирования.

Предложенные груды настройки высоты :

Вы, возможно, должны поднять высоту, чтобы сделать некоторые рабочие места легче, такие как коврики и более длинные ковры груды.

Для самого легкого регулирования, разместите уборщика в полное вертикальное положение.

Внимание: Специальная забота требуется, чистя определенные типы пылесосом ковра или покрытия пола. Всегда проверяйте, что изготовитель ковра или покрытия пола рекомендовал убрать инструкции перед уборкой пылесосом.



Кнопка регулирования высоты

ДИАГРАММА ИСПОЛЬЗОВАНИЯ ПРИЛОЖЕНИЯ

ПРИЛОЖЕНИЕ	ОБЛАСТЬ ОЧИСТКИ				
	Мебель*	Между Подушками*	Драпы*	Лестница	Стены
 ЧИСТКА ЩЕТКИ	X	X	X	X	X
 ИНСТРУМЕНТ ЩЕЛИ		X		X	X
 МИНИ-НОСИК		X		X	X

* Всегда чистите приложения прежде, чем использовать на тканях.

ПОДСКАЗКА УБОРКИ ПЫЛЕСОСОМ

Края ковра

Используйте приложения, такие как инструмент щели, щетка очистки, мининосик на краях ковра. См. страницу 8, 9



ПРЕДУПРЕЖДЕНИЕ

Опасность Телесного Повреждения

Используйте заботу, если пылесос помещен в лестницу. Если это падает, телесное повреждение или материальный ущерб могли бы закончиться.

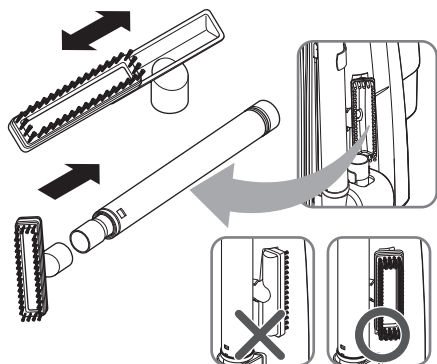
ПРИЛОЖЕНИЯ

Использовать приложения

- 1) Разместите уборщика в плоскую поверхность. Удалите палочку от тела, схватывая и вращая при натяжении.
- 2) Устанавливать высоту груди к высокой
- 3) Устанавливать выключатель в способе "Пол".

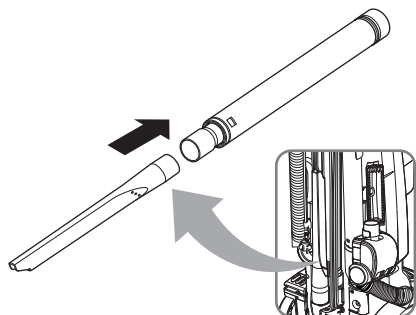
Щетка чистки:

Функции как щетка чистки, также носик обивки, который полезен для мебели, полок и т.д., соединение как показано.

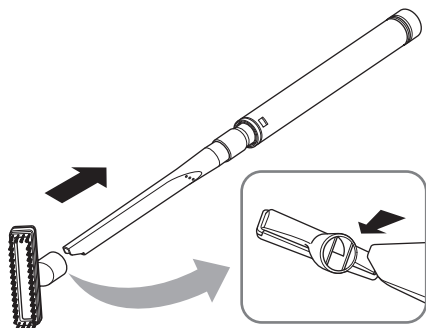


Инструмент щели:

Инструмент щели приложен как показано и используется для углов, между подушками и т.д.

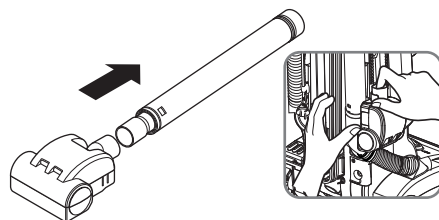


Отметьте: Для добавленной досягаемости щетка чистки может использоваться с инструментом щели как показано.



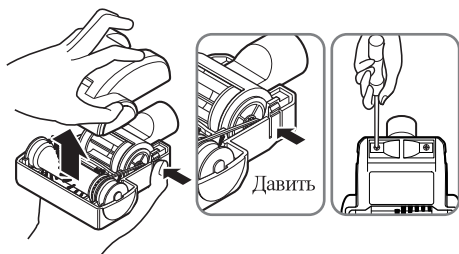
Мини-носик

Мининосик приложен как показано и используется для лестницы и другого твердого, чтобы достигнуть мест.



Удалить покрытие Мининосика:

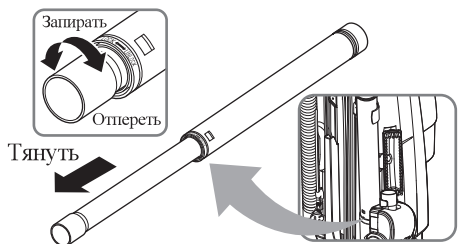
Удалите 2 винта на основании и снимите покрытие Мининосика как показано.



Часто проверьте и удалите волосы, верёвки, и линт наращивания в области щетки. Отказ так мог принести убытки Мининосика.

Расширять палочку:

Вращайте палочку, чтобы отпереть и потянуть.



ПРЕДОСТЕРЕЖЕНИЕ

Не тяните пылесос вокруг комнаты шлангом. Материальный ущерб мог закончиться.

СОХРАНИТЬ ПРИЛОЖЕНИЯ

Возвратите палочку к ее положению на теле и приложения к их держателям.

ОСОБЕННОСТИ РАБОТЫ

Моторный защитник

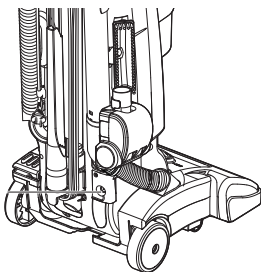
Этот вакуум сделал, чтобы моторный защитник обошел клапан, который автоматически открывается, чтобы обеспечить охлаждающийся воздух двигателю, когда помеха предотвращает нормальный поток воздуха на двигатель. Если клапан обхода откроется, чтобы предотвратить перегрев двигателя и возможное повреждение вакуума, то Вы заметите изменение звука как воздушные порывы через открытие клапана.

ОТМЕТЬТЕ: не блокируйте моторного защитника.

Проверьте и удалите помехи. См. секцию УДАЛЕНИЯ ПОМЕХИ.

ОТМЕТЬТЕ: моторный защитник может открыться, используя приложения или чистя новый ковер, из-за уменьшенного потока воздуха, вызванного приложениями непосредственно или новым волокном ковра, заполняющим мусорное ведро пыли быстро.

Моторный защитник



Устройство тепловой защиты

У этого вакуума есть устройство тепловой защиты, который автоматически двигается, чтобы защитить вакуум от перегрева. Если помеха предотвращает нормальный поток воздуха на двигатель, устройство тепловой защиты выключает двигатель автоматически, чтобы позволить двигателю охлаждаться, чтобы предотвратить возможное повреждение вакуума.

Исправлять проблему: Если это происходит, выключите вакуум и отключите шнур питания от выхода, чтобы позволить вакууму охлаждаться.

Проверьте и удалите помехи, в случае необходимости. Ждите приблизительно тридцать (30) минут и включите вакуум и возвратите и видите, перезагрузил ли моторный защитник. Система устройства тепловой защиты не будет перезагружать, если вакуум не остыл.

ВНИМАНИЕ ПЫЛЕСОСА

Всегда следуйте за всеми предосторожностями безопасности, убирая и обслуживая пылесос.



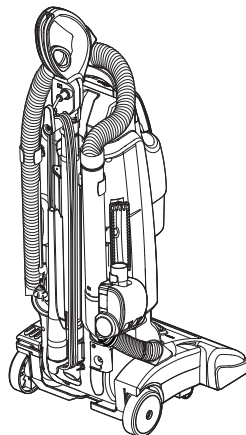
ПРЕДУПРЕЖДЕНИЕ

Поражение электрическим током и опасность телесного повреждения.

Разъедините электропитание прежде, чем обслужить или убрать единицу. Отказ так мог привести к поражению электрическим током или телесному повреждению от уборщика, внезапно начинающегося.

ВАКУУМНОЕ ХРАНЕНИЕ

Чтобы сохранить пылесос, когда это не используется, соберите его шнур и возвратите его телескопическую ручку более низкому положению для сохранения.



ПРЕДУПРЕЖДЕНИЕ

Поражение электрическим током и опасность телесного повреждения.

Обертывание шнура слишком сильно, помешает напряжению в шнур и может нанести ущерб шнура. Поврежденный шнур - опасность поражения электрическим током и мог вызвать телесное повреждение или повреждение.

СБОРКА МУСОРНОГО ВЕДРА ПЫЛИ

Крышка мусорного ведра пыли

Крышка мусорного ведра пыли покрывает мусорное ведро пыли.

Воздушный фильтр

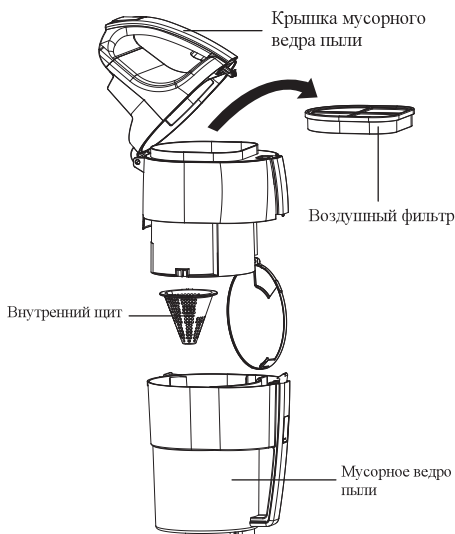
Воздушный фильтр делит тонкую пыль от мусорного ведра пыли.

Внутренний щит

Внутренний щит заманивает в ловушку большую грязь и развалины, которые подняты всасыванием.

Мусорное ведро пыли

Где грязь собрана.



ОЧИСТКА МУСОРНОГО ВЕДРА ПЫЛИ

лучшая работа всегда освобождают мусорное ведро пыли, когда пыль полна.

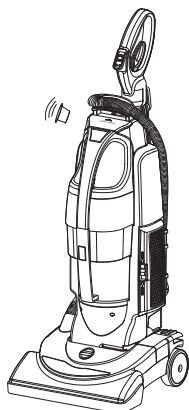


ПРЕДУПРЕЖДЕНИЕ

Поражение электрическим током и опасность телесного повреждения.

Всегда отключайте шнур питания от электрического выхода прежде, чем выполнить любое обслуживание на вакуум.

Когда тревога звучит, проверьте мусорное ведро пыли. Если мусорное ведро пыли полно, освобождать мусорное ведро пыли.



ЧТОБЫ УДАЛИТЬ МУСОРНОЕ ВЕДРО ПЫЛИ, нажмите на кнопку выпуска мусорного ведра пыли и вытащите мусорное ведро из уборщика.



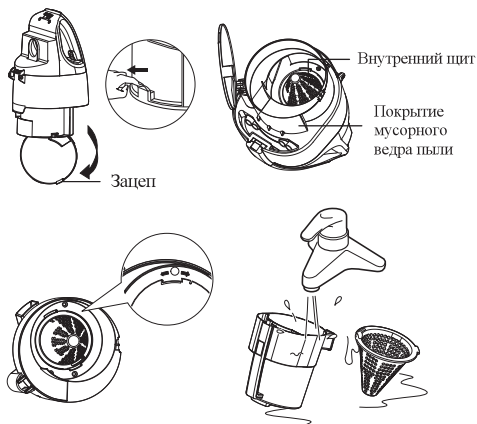
Кнопка покрытия мусорного ведра пыли

К ПУСТОМУ МУСОРНОМУ ВЕДРУ ПЫЛИ, нажмите на кнопку покрытия мусорного ведра пыли как показано, отделите покрытие мусорного ведра пыли от мусорного ведра пыли и удалите пыль.

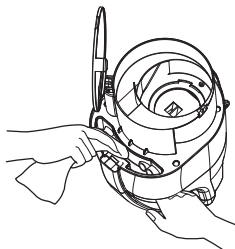


Отметьте: заменяя мусорное ведро пыли в вакууме Вы должны выдвинуть и хватать это. Удостоверьтесь, что мусорное ведро пыли полностью занято иначе, мощность всасывания могла быть низкой.

ЧТОБЫ УБРАТЬ МУСОРНОЕ ВЕДРО ПЫЛИ, удалить, завосевать циклон мусорного ведра пыли и отделять внутренний щит от покрытия мусорного ведра пыли как показано.

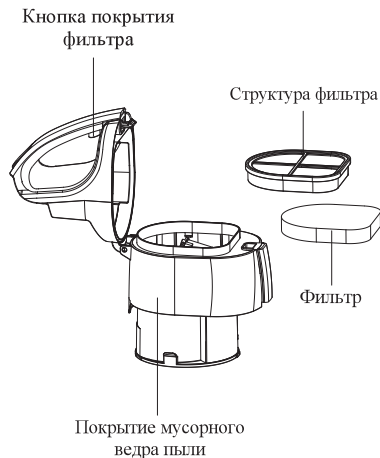


Не используйте влажный ящик пыли и внутренний экран. Когда повторное пользование, сушит вполне.



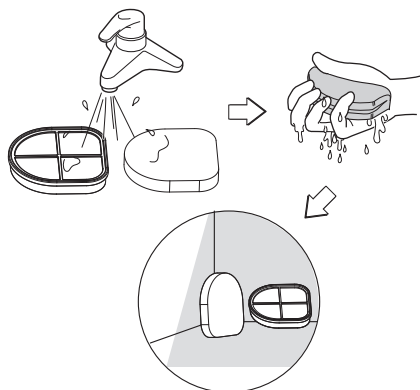
Чистить покрытие мусорного ведра тканью и щеткой, чтобы удалить пух или развалины. И НЕ ИСПОЛЬЗУЙТЕ ЖИДКОСТЬ И ВОДУ.

ЧИСТКА / ИЗМЕНЕНИЕ ФИЛЬТРОВ



Нажмите кнопку покрытия фильтра и отделите структуру фильтра и фильтр от покрытия мусорного ведра пыли как показано.

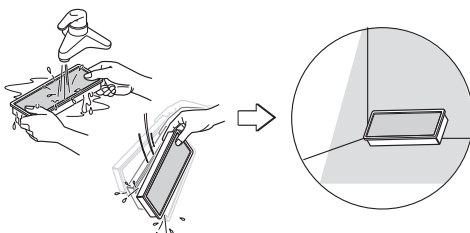
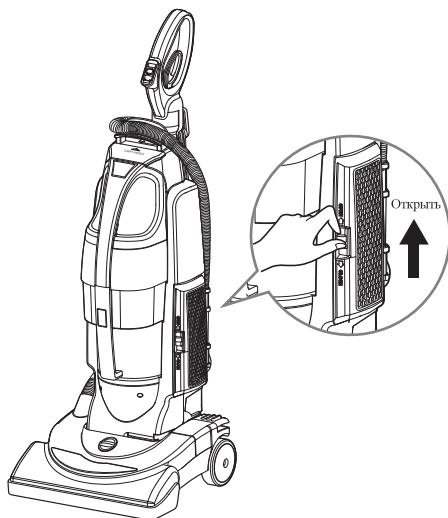
Уберите структуру фильтра и фильтр в холодной воде только. НЕ ИСПОЛЬЗУЙТЕ МОЮЩЕЕ СРЕДСТВО ИЛИ МЫЛО.



Позвольте фильтру сушить в течение 24 часов в тени перед откладыванием.

УБРАТЬ ВЫХЛОПНОЙ ФИЛЬТР

Удалите выхлопной фильтр из вакуума и уберите фильтр в холодной воде только. НЕ ИСПОЛЬЗУЙТЕ МОЮЩЕЕ СРЕДСТВО И МЫЛО.



Позвольте выхлопному фильтру сушить 24 часа в тени перед откладыванием. Удостоверьтесь, что фильтры сохнут полностью.

ДЛЯ ДОПОЛНИТЕЛЬНОЙ РАБОТЫ, ПРОВЕРЯЙТЕ ФИЛЬТРЫ ЧАСТО И ЧИСТИТЕ КОГДА ГРЯЗНЫЕ.



ПРЕДОСТЕРЕЖЕНИЕ

Влажный фильтр может нанести непоправимый урон на уборщика. Гарантируйте, что все фильтры сохнут полностью.

Цикл очистки.

- Воздушный фильтр - каждые 2 месяца.
- Выхлопной фильтр - Один раз в год.

ИЗМЕНЕНИЕ ПОЯСА И ОЧИСТКА АГИТАТОРА



ПРЕДУПРЕЖДЕНИЕ

Поражение электрическим током и опасность телесного повреждения.

Разъедините электропитание прежде, чем обслужить или убрать единицу. Отказ так мог привести к поражению электрическим током или телесному повреждению от уборщика, внезапно начинающегося.

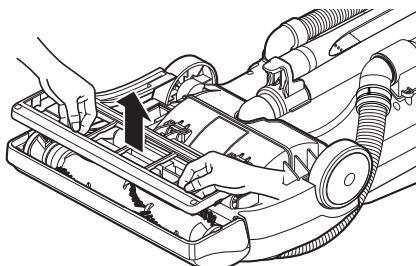
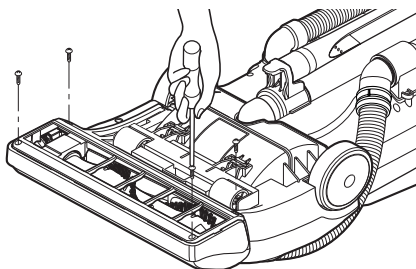
Часто проверяйте и удалите волосы, верёвки, и линт в области щетки агитатора. Если становится чрезмерным, следовать за шагами ниже. Если поюз становится свободным или если он ломает, следует за инструкциями удаления пояса.

УДАЛЕНИЕ / УСТАНОВКА ПОДОПЧНОГО ЩИТКА НОСИКА

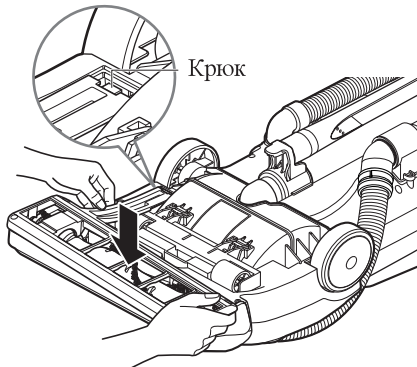
Разъедините электропитание, нажмите педаль выпуска тела и вращайте тело вниз, таким образом уборщика класть ровно на полу.

Чтобы защитить внешность пола, поставить бумагу под носиком и рабочим пространством.

Удалите 4 винта из основания как показано. Удалите подопчный щиток как показано.



Проверьте и удалите волосы, верёвки, линт объявления в области щетки агитатора. Чтобы заменить подопчный щиток носика, должно регулирование быть помещенным в его место и повторно установить вещи, которые Вы удалили.



ПРЕДУПРЕЖДЕНИЕ

Опасность телесного повреждения

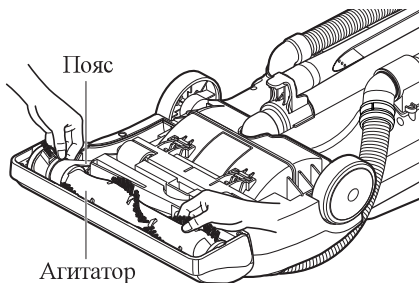
Всегда отключайте пылесос прежде, чем очистить область щетки, поскольку агитатор может внезапно перезапустить. Отказ так может привести к телесному повреждению.

УДАЛИТЬ ПОЯС / ЧИСТИТЬ АГИТАТОР

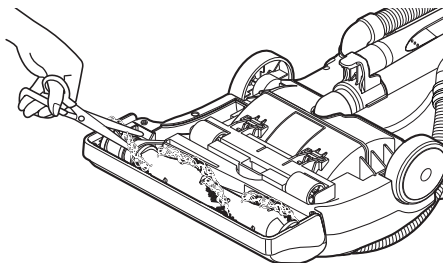
Положение передает противоположные концы агитатора. Если пояс все еще присоединен к агитатору, будет напряженность на нем.

Тщательно снимите правый конец агитатора и затем снимите другой конец.

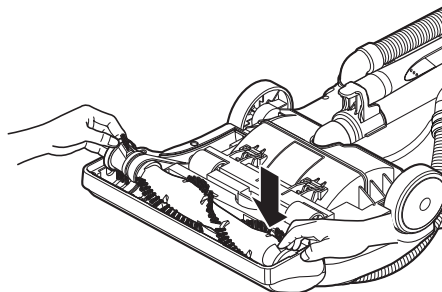
Удалите рваную или сломанную ленту из рычага привода от двигателя и уберите агитатора.



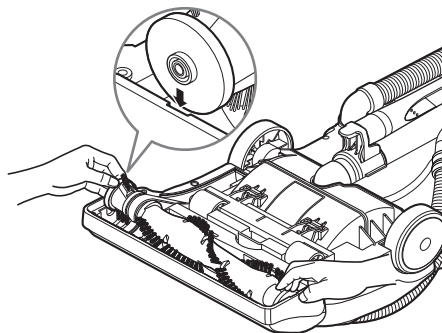
Удалите верёвки или волосы, которые могут быть обернуть вокруг агитатора.



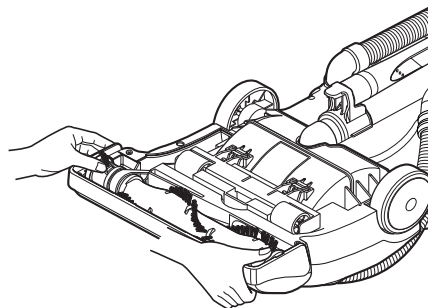
Чтобы устроить правый конец агитатора, потяните два конца агитатора вперед и усадите это в основу носика.



Чтобы усадить левый конец агитатора, поместите левый конец агитатора в щель в основе носика как показано.

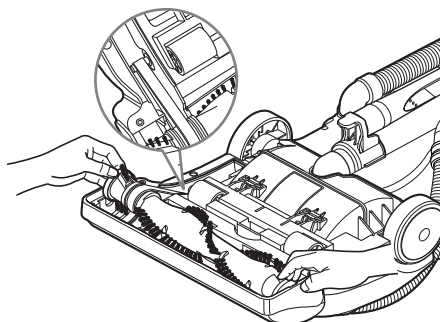


Нажмите твердо, проверяя, чтобы видеть, что каждый конец полностью вставлен. И затем поверните агитатора, убедитесь, что пояс поворачивается свободно и не зажимается между щитом агитатора и агитатором.

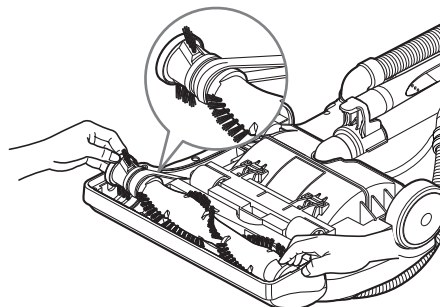


ЗАМЕНЯТЬ ПОЯС

Усадите правый конец агитатора в основу носика.



Образуйте новый пояс на вале двигателя. Закрепляют другой конец пояса на шкив пояса на левом конце агитатора.



Чтобы заменить подпочный щиток носика, следуйте за секцией УДАЛЕНИЯ/УСТАНОВКИ ПОДОПЧНОГО ЩИТКА НОСИКА (Страница 14)

ОЧИСТКА ВНЕШНОСТИ

Отключите шнур питания от настенной розетки. Уберите внешность, используя чистую, мягкую ткань, которую опустили в решение умеренного жидкого моющего средства и воды и скручено сухой.

НЕ капайте воды в уборщике.

НЕ чистите инструменты в моечной машине одежды или посудомоечной машине. Мыть инструменты в теплой мыльной воде, полоскать и высушить воздухом.

НЕ используйте инструменты, если они являются влажными.

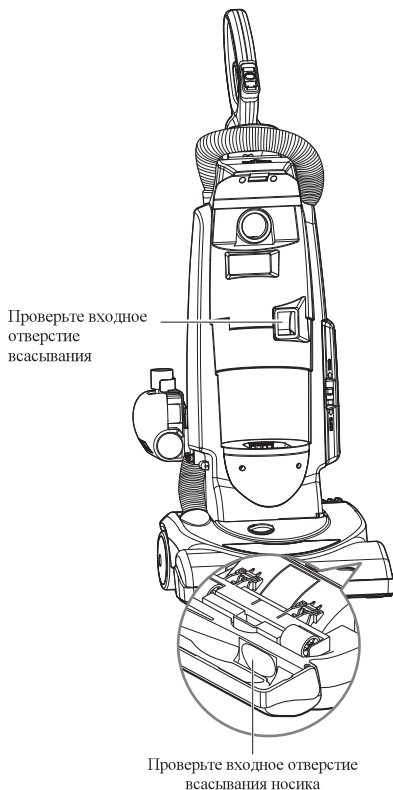
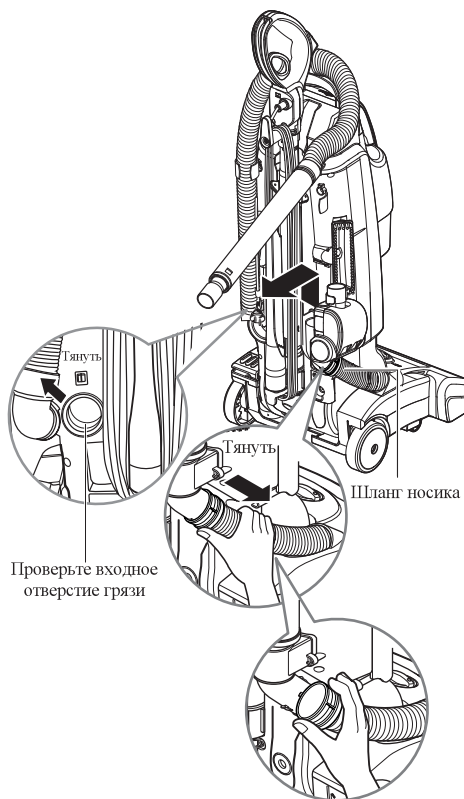
УДАЛЕНИЕ ПОМЕХ

Шланг, расположенный на пылесосе, несет грязь от носика до мусорного ведра пыли. Если шланг должен стать забитым:

Отключите вакуум. Удалите собранную палочку, шланг носика и проверьте их.

Проверьте основу шланга для того, чтобы засориться как показано.

Проверьте входное отверстие всасывания и фильтры для помех.



Отметьте: Забитые фильтры могут вызвать мощность всасывания быть низкой. Чтобы убрать фильтр, обратитесь к секции ОЧИСТКИ/ИЗМЕНЕНИЯ ФИЛЬТРОВ. (Страница 13)

ПОИСК НЕИСПРАВНОСТЕЙ

Рассмотрите эту диаграмму, чтобы найти самостоятельные решения для незначительных проблем работы. Дополнительное необходимое обслуживание, кроме описанных в руководстве владельца, должно быть выполнено в уполномоченном Агентстве Обслуживания Электроники LG.

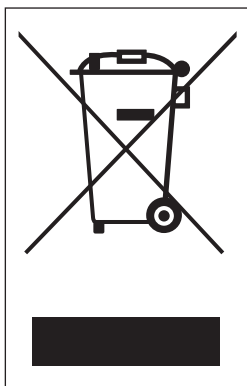


ПРЕДУПРЕЖДЕНИЕ

Поражение электрическим током и опасность телесного повреждения.

Разъедините электропитание прежде, чем обслуживать или убрать единицу. Отказ так мог привести к поражению электрическим током или телесному повреждению.

ПРОБЛЕМА	ВОЗМОЖНАЯ ПРИЧИНА	ВОЗМОЖНОЕ РЕШЕНИЕ
УБОРЩИК НЕ БУДЕТ БЕЖАТЬ	<ol style="list-style-type: none"> 1. Отключенный при настенной розетке. 2. Выключатель от положения. 3. Устройство тепловой защиты активизировано. 	<ol style="list-style-type: none"> 1. Включите плотно, проверьте Моторную систему защиты / предохранитель. 2. Поставить выключатель в способ пола или ковра. 3. См., "исправить проблему", страницу 10.
ПЛОХОЙ СБОР ПЫЛИ	<ol style="list-style-type: none"> 1. Полное или забитое мусорное ведро пыли. 2. Сломанный пояс агитатора. 3. Забитый шланг или носик. 4. Шланг, не вставленный полностью 5. рванный агитатор. 6. Отверстие в шланге 7. Собрание мусорного ведра пыли ненадлежащим образом установлено. 8. Пояс, не установленный на вале двигателя. 9. Моторная система защиты активизирована. 	<ol style="list-style-type: none"> 1. Опорожнить мусорное ведро пыли и очистить фильтры. 2. Замените пояс агитатора. 3. Очистить шланг или область носика. 4. Шланг вставки. 5. Замените агитатора. 6. Замените шланг. 7. Должным образом установите собрание мусорного ведра пыли. 8. Установите пояс на вале двигателя. 9. Проверьте помехи.
ПЫЛЬ ИЗБЕГАЕТ МУСОРНОГО ВЕДРА ПЫЛИ	<ol style="list-style-type: none"> 1. Собрание мусорного ведра пыли ненадлежащим образом установлено. 	<ol style="list-style-type: none"> 1. Должным образом установите мусорное ведро пыли.
ВКЛЮЧИТЕ, ДВИГАТЕЛЬ ВЫКЛЮЧАЕТ И ТРЕВОГА ЗВУЧИТ	<ol style="list-style-type: none"> 1. Мусорное ведро пыли полно. 2. Вращающееся лезвие в мусорном ведре пыли ограниченно препятствием. 3. Мусорное ведро пыли находится в неправильном положении. 	<ol style="list-style-type: none"> 1. Выключите вакуум и освободите мусорное ведро пыли. 2. Выключите вакуум и удалите препятствие из мусорного ведра пыли. 3. Выключите вакуум и снова прикрепите мусорное ведро пыли в правильное положение.



Избавление от Вашего старого прибора

1. Когда этот пересеченный вершинный символ мусорного ведра присоединен к продукту, это означает, что продукт охвачен европейской Директивой 2002/96/ЕС.
2. От всех электрических и электронных продуктов нужно избавиться отдельно от муниципального потока отходов через определяемые услуги коллекции, назначенные правительством или местными властями.
3. Правильное избавление от Вашего старого прибора поможет предотвратить потенциальные отрицательные последствия для окружающей среды и здоровья человека.
4. Для более подробной информации об избавлении от Вашего старого прибора, пожалуйста свяжитесь со своим городским офисом, обслуживанием вывоза отходов или магазином, где Вы купили продукт.

Отметить



Отметить



Отметить







الملاحظة



الملاحظة



الملاحظة



اصلاح الأعطال

يرجى قراءة هذا القسم لايجاد طرائق حل المشاكل . يجب تنفيذ أعمال الصيانة الاضافية غير المذكورة في دليل الاستعمال من قبل الوكيل المؤهل من آل جي للمنتجات الالكترونية .

التحذير



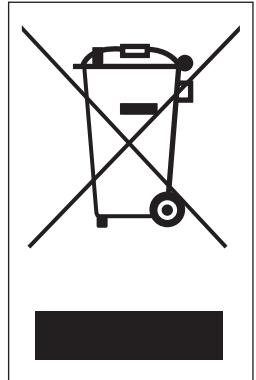
أخطار الصدمة الكهربائية والجرح الشخصي .

قطع تغذية الكهرباء قبل الصيانة أو التنظيف . قد يسبب الصدمة الكهربائية أو الجرح الشخصي اذا لم يتم ذلك .

المشاكل	الأسباب	الحل
المكنسة الكهربائية لا تشتغل	١. عدم ادخال القابيس ٢. وضع الزر في مكان الاطفاء ٣. الواقي الحراري شاغل	١. ادخال القابيس بشكل ثابت، اختبار جهاز حماية المحركات والفيوز . ٢. اختيار موديل ز الأرضس أو ز السجادةس ٣. قراءة زحل المشاكلس في الصفحة ١٠
عدم التقاط الأوساخ بشكل جيد	١. علبة الغبار مليئة أو مسدودة ٢. حزام الفرشاة المهيجة مكسورة ٣. الخرطوم أو الفوهة مسدودة ٤. عدم ادخال الخرطوم بشكل كامل ٥. الفرشاة مستعملة ٦. الثقوب في الخرطوم ٧. عدم تركيب علبة الغبار بشكل جيد ٨. عدم تركيب الحزام في محور المحرك ٩. جهاز حماية المحركات شاغل	١. تفريغ علبة الغبار وتنظيف الفلترات ٢. تبديل حزام الفرشاة المهيجة ٣. تنظيف الفوهة و الخرطوم ٤. ادخال الخرطوم ٥. تبديل الفرشاة ٦. تبديل الخرطوم ٧. ادخال الخرطوم بشكل جيد ٨. تركيب الحزام في المحرك ٩. اختبار السد
خروج الأوساخ من علبة الغبار	١. عدم تركيب علبة الغبار بشكل جيد	١. تركيب علبة الغبار بشكل جيد
التشغيل، وقف المحركات وظهور صوت التحذير.	١. علبة الغبار مليئة ٢. تقييد الثقبرة الدوارة في علبة الغبار بالحواجز. ٣. وضع علبة الغبار في مكان غير صحيح.	١. اطفاء المكنسة الكهربائية وترفع علبة الغبار . ٢. اطفاء المكنسة الكهربائية وازالة الحواجز من علبة الغبار . ٣. اطفاء المكنسة الكهربائية واعد تركيب علبة الغبار .

معالجة أجهزكم المستعملة

١. اذا لحقت أي منتجات بعلامة صندوق العجلة مع رسم ز الخطس، فهذا يعني أن هذه المنتجات تمت تغطيتها بالعامل الأوروبي 2002/96/EC.
٢. يجب معالجة المنتجات الالكترونية والكهربائية وتوزيعها حسب أجهزة الجمع المختلفة المجهزة بالحكومة أو الدوائر المحلية .
٣. المعالجة الصحيحة لأجهزكم المستعملة تساعد في حماية البيئة وصحة الانسان .
٤. بالنسبة الى المعلومات التفصيلية حول معالجة الأجهزة المستعملة، يرجى الاتصال بالدوائر المحلية أو مكتب معالجة المواد المستعملة أو المحلات التي اشترت المنتجات فيها .



التنظيف الخارجي

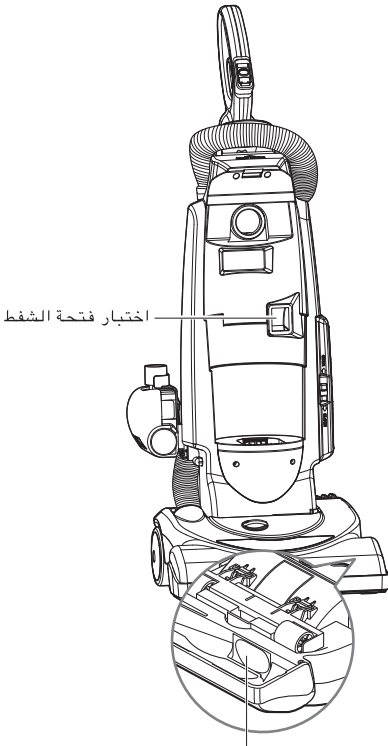
ممنوع وضع المكنسة الكهربائية في الماء للتنظيف
ممنوع تنظيف الأدوات في غسالة الصحون أو الملابس . ويجب تنظيف الأدوات في الماء الساخن مع الصابون وتجفيفها في الهواء .
ممنوع استعمال الأدوات اذا كانت مبللة .

إخراج الأسلاك الكهربائية من مقبس الجدار .
تنظيف الأجزاء الخارجية بالقماش النظيف والمرن مع الماء أو السائل المتحادي، ثم تجفيف .

ازالة السد

اختبار قاعدة الخرطوم للسد كما المعروف .

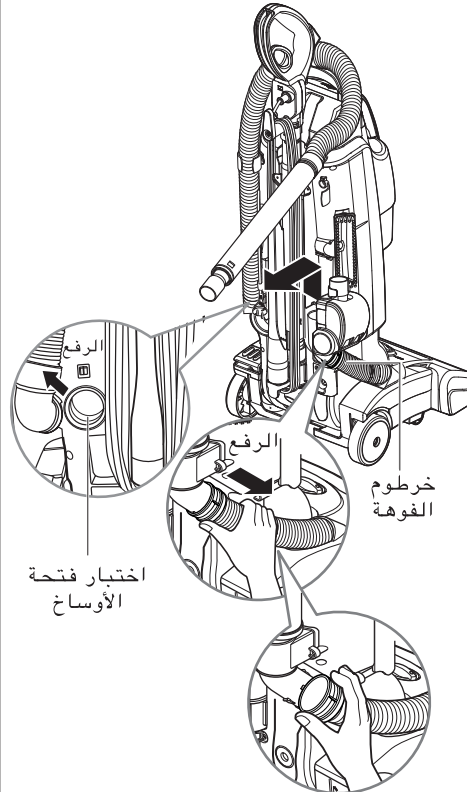
اختبار فتحة الشفط والفلتر للسد .



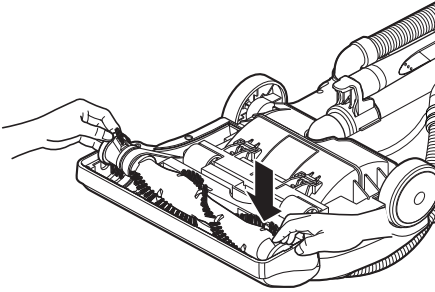
اختبار فتحة الشفط للفوهة

الملاحظة: الفلترات المسدودة قد تسبب تخفيض قوة الشفط . بالنسبة الى تنظيف الفلترات، يرجى قراءة قسم تنظيف .
تغيير الفلترات . (الصفحة ١٣)

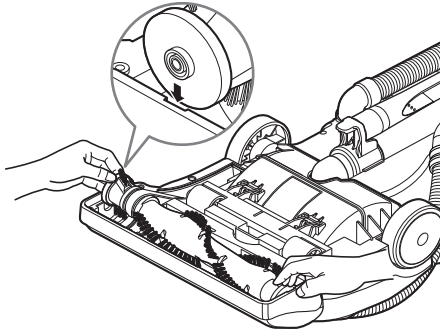
الخرطوم المركب في المكنسة الكهربائية تأخذ الأوساخ من أعلى الفوهة الى علبة الغبار . اذا كان الخرطوم مسدود:
إخراج قابس المكنسة الكهربائية . فك الأنبوب والفوهة واختبارها .



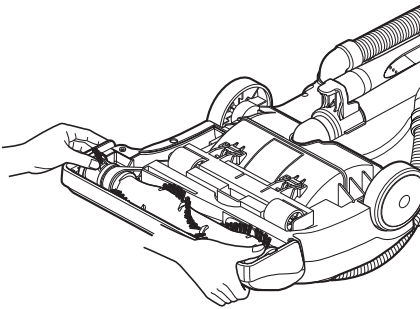
تثبيت الطرف اليمين للفرشاة المهيجة،
شد الطرفين للفرشاة المهيجة الى الأمام
وتثبيتها الى قاعدة الفوهة .



تثبيت الطرف اليسار، وضع الطرف
اليسار الى مقبس قاعدة الفوهة كما
المعروض .



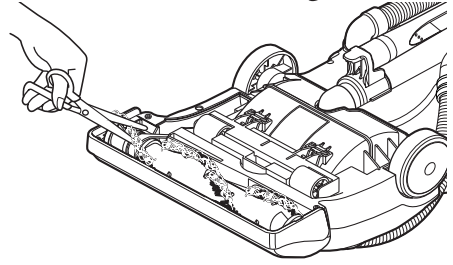
الضغط الشديد، تأكد ادخال كل الطرف الى
الداخل . ثم تدوير الفرشاة المهيجة للتأكد
أن الحزام يدور بشكل حري بدون صعوبة
بين الفرشاة المهيجة وغلاف الفرشاة
المهيجة .



تبديل فوهة أسفل الصحن، يرجى قراءة
قسم فك . تركيب أسفل الصحن للفوهة .

(الصفحة ١٤)

تثبيت الطرف اليمين للفرشاة المهيجة،
شد الطرفين للفرشاة المهيجة الى الأمام
وتثبيتها الى قاعدة الفوهة .

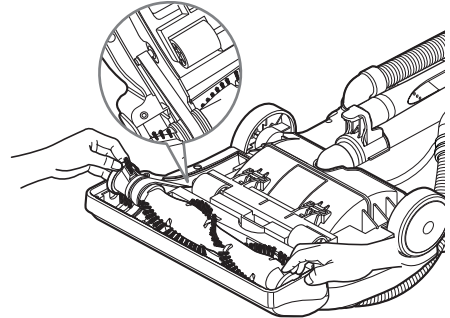


التحذير

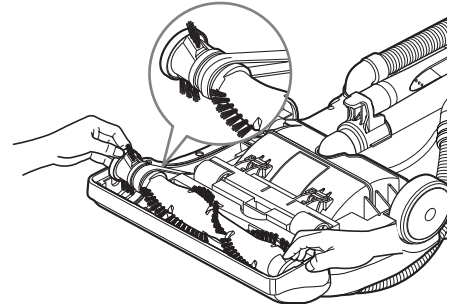
يجب فك الفرشاة المهيجة بكل دقة اذا
كانت قوة الشد عالية للحزام .
قد يسبب الجرح الشخصي عند فك
الفرشاة المهيجة بشكل سريع وشديد
اذا لم يتم ذلك .

تبديل الحزام

تثبيت الطرف اليمين للفرشاة المهيجة
الى قاعدة الفوهة .

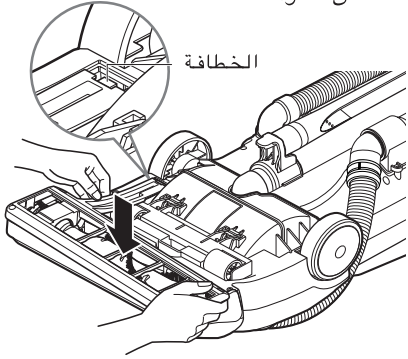


لف الحزام الجديد على محور المحرك .
لف الطرف الآخر للحزام الى عجلة الحزام
في الطرف اليسار للفرشاة المهيجة .



تغيير الحزام وتنظيف الفرشاة المهيجة

ازالة الشعر والأسلاك والقماش في مكان الفرشاة المهيجة . يجب تركيب كل قطع الغيار في أماكنها من أجل تبديل أسفل الصحن للفوهة .



التحذير:

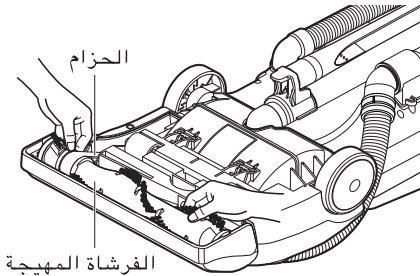
أخطار الجرح الشخصي .
يجب اخراج قابس المكنتسة الكهربائية
دائماً قبل تنظيف الفرشاة المهيجة،
قد يبدأ تشغيل الفرشاة فجأة . ويسبب
الجرح الشخصي اذا لم يتم ذلك .

فك الحزام / تنظيف الفرشاة المهيجة

قبض الأطراف المتعاكسة للفرشاة
المهيجة . اذا لم يتم فك الحزام من
الفرشاة المهيجة، فعندها قوة الشد .

رفع الطرف اليمين للفرشاة المهيجة
بدقة، ثم رفع الطرف الآخر .

فك الحزام المكسور من محور المحرك
وتنظيف الفرشاة المهيجة .



التحذير:

أخطار الصدمة الكهربائية والجرح
الشخصي .

قطع تغذية الكهرباء قبل الصيانة
والتنظيف . قد يسبب الصدمة
الكهربائية أو الجرح الشخصي بسبب
تشغيل المكنتسة الكهربائية فجأة اذا لم
يتم ذلك .

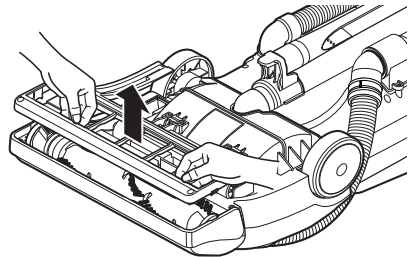
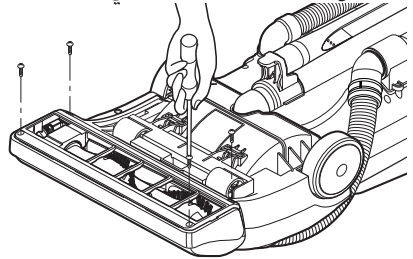
يجب ازالة الشعر والأسلاك والقماش في
مكان الفرشاة المهيجة . ويجب تنفيذ
الخطوات التالية اذا كان الهيكل غير
نظيف . بالنسبة الى الحزام يجب قراءة
تعليمات تغيير الحزام .

أسفل الصحن للفوهة الفك / التركيب

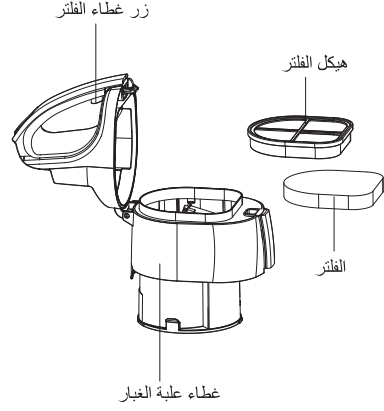
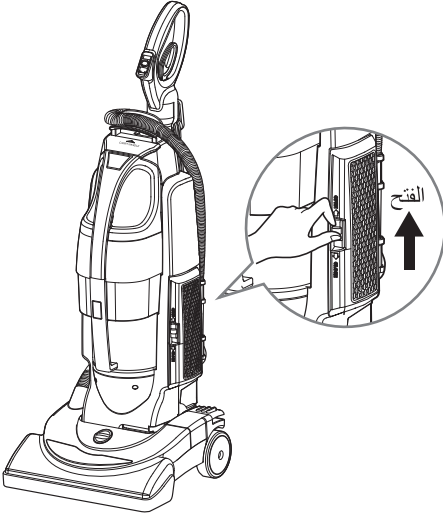
قطع تغذية الكهرباء، ضغط دواسة فك
الجسم وتدوير الجسم الى التحت، وضع
المكنتسة الكهربائية في الأرض .

يجب وضع الورق تحت الفوهة ومكان
العمل من أجل حماية سطح الأرض .

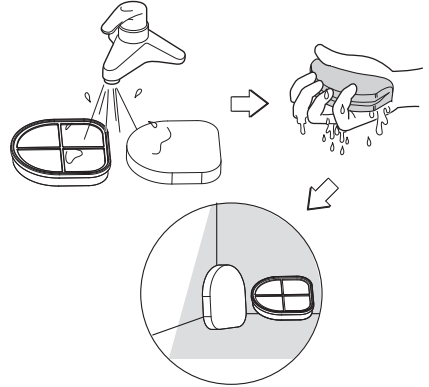
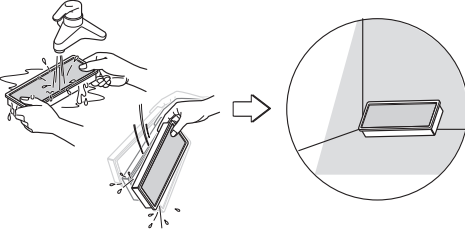
اخراج 4 براغي من التحت كما يلي .
اخراج أسفل الصحن كما يلي .



تنظيف وتغيير الفلتر



ضغط زر غطاء الفلتر وإخراج هيكل الفلتر والفلتر من علبة الغبار كما يعرض.
تنظيف هيكل الفلتر والفلتر في الماء الباردة فقد ممنوع استعمال السائل الكيماوي أو الصابون.



ضع فلتر التهوية للتجفيف 24 ساعات في الظل قبل التركيب من جديد . ويرجى التأكد أن الفلتر كله جاف بشكل كامل .

تخفيف الفلتر 24 ساعات في الظل قبل التركيب من جديد .

بالنسبة الى التنفيذ الاختياري، يجب اختبار وتنظيف الفلتر دائما عندما يكون غير نظيف .

التنبيه:
قد يتم تخريب المكنسة الكهربائية بسبب استعمال الفلتر المبلل .
يرجى التأكد أن الفلترات كلها جافة بشكل كامل .
دورية التنظيف .
• الفلتر — كل شهرين .
• فلتر التهوية — مرة واحدة كل سنة .

تنظيف فلتر التهوية

إخراج فلتر التهوية من المكنسة الكهربائية وتنظيف الفلتر والعلبة في الماء الباردة فقد ممنوع استعمال السائل الكيماوي والصابون .

تنظيف علبة الغبار

من أجل أفضل الشفط، يجب تفريغ علبة الغبار دائما عندما الغبار ملئى.



التحذير:

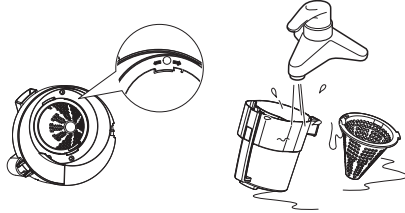
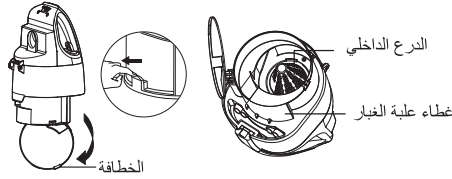
أخطار الصدمة الكهربائية والجرح
الشخصي.
إخراج الأسلاك الكهربائية من المقبس
دائما قبل تنفيذ أي صيانة الممكنة
الكه.

إظهار صوت التحذير، اختبار علبة الغبار.
إذا كانت علبة الغبار مليئة، فيجب تفريغ علبة الغبار.

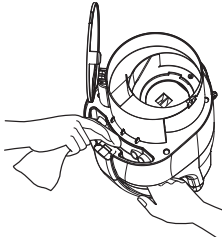


الملاحظة: عند إعادة تركيب علبة الغبار في المكنسة الكهربائية يجب عليك ضغطها وإغلاقها بشدة. التأكد على تركيب علبة الغبار بشكل كامل، والا فسيتم تخفيض قوة الشفط.

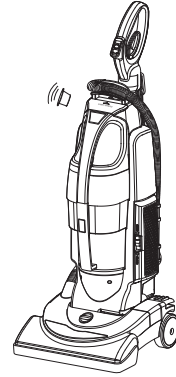
من أجل تنظيف علبة الغبار، إخراج الحطافة على جهاز الأعصار في علبة الغبار وإخراج الدرع الداخلي من غطاء علبة الغبار كما يعرض.



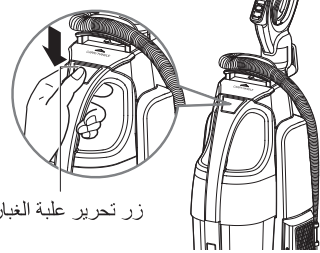
ممنوع استعمال علبة الغبار والدرع الداخلي المبللة.
يجب التجفيف بشكل كامل عند إعادة الاستعمال.



تنظيف غطاء علبة الغبار بالقماش والفرشاة من أجل إزالة الأوساخ أو المكسورات. ممنوع استعمال أي سائل و ماء.



من أجل إخراج علبة الغبار، ضغط زر تحرير علبة الغبار وإخراج العلبة من المكنسة الكهربائية.



من أجل تفريغ علبة الغبار، ضغط زر غطاء علبة الغبار كما يعرض، إخراج غطاء علبة الغبار من علبة الغبار وتفريغ الغبار.

حماية المكنسة الكهربائية

يجب تنظيف وصيانة المكنسة الكهربائية دائما حسب جميع تعليمات الأمان .

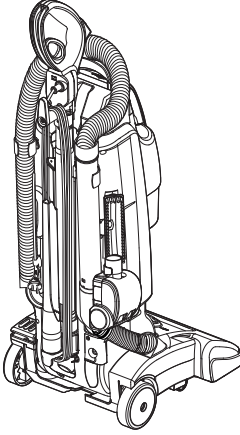


التحذير:

الصدمة الكهربائية وأخطار الجرح الشخصي .

وقف تغذية الكهرباء قبل صيانة وتنظيف المكنسة الكهربائية . قد يسبب الصدمة الكهربائية أو الجرح الشخصي باشتغال المكنسة الكهربائية فجأة اذا لم يتم ذلك .

تخزين المكنسة الكهربائية



تخزين المكنسة الكهربائية عند عدم استخدامها . ارجع الأسلاك الكهربائية ومقبض التمديد من أجل توفير المكان .



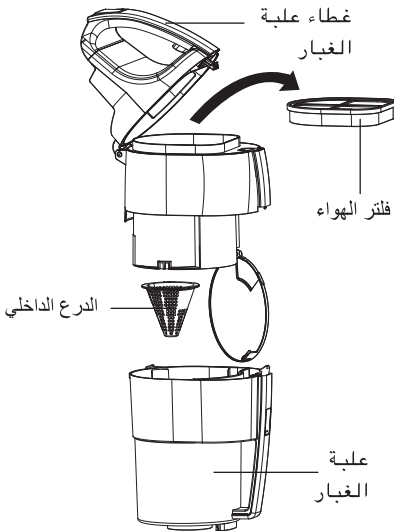
التحذير:

الصدمة الكهربائية والجرح الشخصي .

قد يخرب الأسلاك الكهربائية اذا تم

لفها بشكل شديد . وقد يسبب الصدمة الكهربائية والجرح الشخصي بالأسلاك المخربة .

تركيب علبة الغبار



غطاء علبة الغبار

يتم تغطية علبة الغبار بغطاء علبة الغبار .

فلتر الهواء

فلتر الهواء من أجل الغبار الدقيق من علبة الغبار .

الدرع الداخلي

الدرع الداخلي من أجل الأوساخ والمكسورات الكبيرة بالشفط .

علبة الغبار

مكان جمع الغبار .

خصائص المواصفات

الواقى الحراري:

عند المكنسة الكهربائية يتم تركيب الواقى الحراري الذي يمكنه تفادى الحرارة العالية للمكنسة الكهربائية . اذا كانت التهوية العادية مسدودة الى المحركات، فسوف لا تشتغل المحركات أو توماتيكيا بسبب الواقى الحراري لتبريد المحركات من أجل تفادى تخريب المكنسة الكهربائية .

حل المشاكل:

اطفاء المكنسة الكهربائية واخراج الأسلاك الكهربائية من المقبس لتبريد المكنسة الكهربائية اذا حدث ذلك .
اختبار و"الة السد" انقضى الأمر .
الانتظار حوالي 30 دقيقة وادخال المكنسة الكهربائية وتشغيل المكنسة الكهربائية لتأكد اعادة الواقى الحراري . لا تتم اعادة الواقى الحراري إلا بعد تبريد المكنسة الكهربائية .

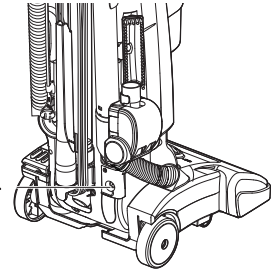
جهاز حماية المحركات:

عند المكنسة الكهربائية يتم تركيب الصمام الذي يمكن فتحه أو توماتيكيا لتزويد الهواء الباردة الى المحركات عند عدم التهوية العادية الى المحركات . اذا كان الصمام مفتوحا لتفادى الحرارة العالية وتخریب محركات المكنسة، فستسمع الصوت المغير من فتحة الصمام مثل اندفاع الهواء .

الملاحظة: ممنوع اغلاق جهاز حماية المحركات .

حل المشكلة: اختبار وازالة السد .
يرجى قراءة قسم ازالة السد .

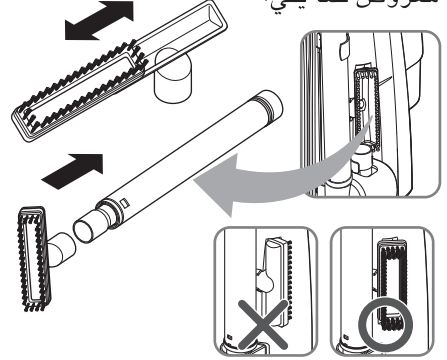
الملاحظة: قد يشتغل جهاز حماية المحركات عند استعمال المتممات أو تنظيف السجادة الجديدة، سيتم املاء علبة الغبار سريعا بسبب تخفيض التهوية باستعمال المتممات لتنظيف السجادة الجديدة .



جهاز حماية
المحركات

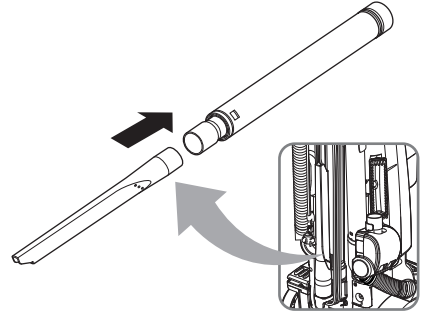
فرشاة الغبار:

الوظائف مثل فرشاة الغبار، فوهة الديكورات الذي تستعمل للأثاث والرفوف ومالخ .
معروض كما يلي:

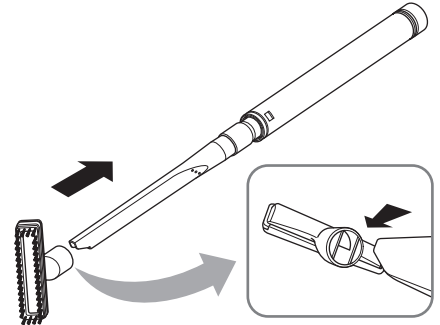


أدوات الأركان:

أدوات الأركان المعروضة التالية تستعمل للأركان والوسادة ومالخ .

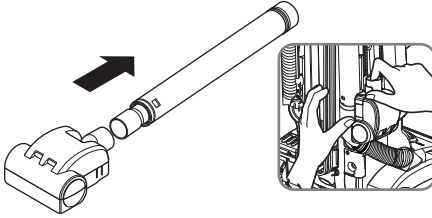


الملاحظة: يمكن استعمال فرشاة الغبار مع أدوات الأركان كما معروض .



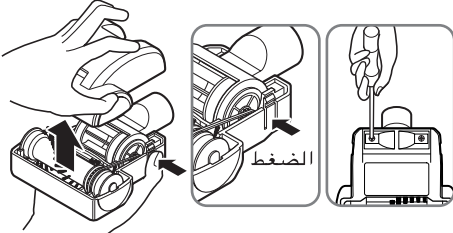
الفوهة الصغيرة:

الفوهة الصغيرة المعروضة التالية المستعملة للسلم والأماكن التي يصعب الوصول إليها .



فك غطاء الفوهة الصغيرة:

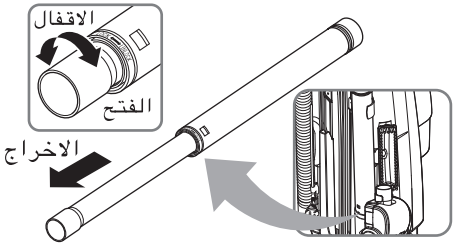
فك 2 من البراغى فى الأسفل ونقل الغطاء كما يلي .



يجب اختبار الفرشاة وازالة الشعر والأسلاك والقماش . قد يسبب الفوهة الصغيرة اذا لم يتم ذلك .

تمديد الأنبوب:

تدوير الأنبوب للفتح والاعراج .




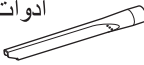
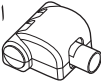
التنبيه

ممنوع استخدام المكنسة الكهربائية في الغرفة بشد الخرطوم . قد يسبب خسارة المواد .

تخزين المتممات:

ارجاع الأنبوب الى مكانه من الجسم وارجاع المتممات الى الحامل

جدول استعمال المتممات

المتممات	أماكن التنظيف				
	الأثاث	الموسادة	الستارة	السلم	الجدار
فرشاة الغبار 	X	X	X	X	X
أدوات الأركان 		X		X	X
أفوهة الصغيرة 		X		X	X

* تنظيف المتممات قبل الاستعمال في القماش.

حيلة الشفط

زاوية السجادة
استعمال المتممات مثل أدوات الأركان أو فرشاة الغبار أو الأفوهة الصغيرة على زاوية السجادة. يرجى قراءة الصفحة السابعة والثامنة.
انظر الصفحة ٨٠٩

لتحذير



أخطار الجرح الشخصي
الاستعمال بجدية إذا وضعت المكنتسة الكهربائية في السلم. قد يسبب الجرح أو الخسارة للأشخاص إذا سقطت.

المتممات

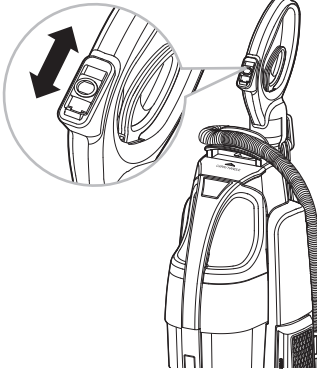
المتممات

استعمال المتممات

- (1) وضع المكنتسة الكهربائية في السطح المستوي. فك الأنبوب من الجسم بالمسك والتدوير.
- (2) ضبط ارتفاع النسيج الى "العالي"
- (3) وضع الزر في موديل "الأرض".

تشغيل المفتاح

تشغيل المفتاح



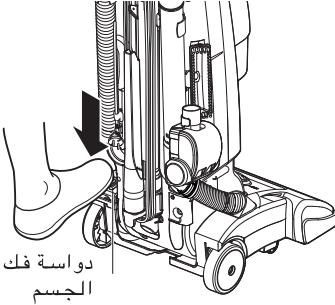
- الإطفاء
- الأرض: الأرض القاسية (اطفاء الفرشاة المهيجة)
- السجادة: تشغيل الفرشاة المهيجة



التحذير

أخطار الجرح الشخصي
ممنوع تشغيل أو إطفاء المكنسة
الكهربائية إذا كانت المكنسة الكهربائية
أو أيديكم مبللة من أجل تفادي الجرح
الشخصي .

فك الجسم والأماكن



فك جسم المكنسة الكهربائية بضغط
دواسة فك الجسم مع قدمكم وسحبها الى
الوراء والتحت .

ضبط ارتفاع النسيج المقترح



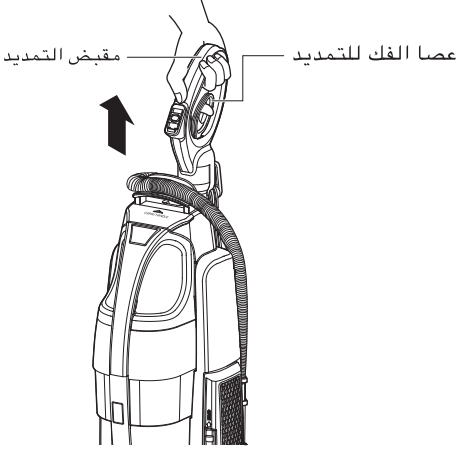
اختيار ضبط ارتفاع النسيج:
اطفاء المكنسة الكهربائية أولاً . اختيار ضبط
ارتفاع النسيج بزر تعديل الارتفاع .
تدوير زر التعديل الى مكان الضبط الصحيح .

ضبط ارتفاع النسيج المقترح:
قد تحتاج الى زيادة الارتفاع لآكمال بعض
الأعمال بشكل أسهل، مثل السجادة الصغيرة
وسجادة النسيج الطويل .

وضع المكنسة الكهربائية بشكل قائم تماماً من
أجل التعديل الأسهل .

الانتباه: الحماية الخاصة مطلوبة عند شفط
الأنواع المعينة من السجادة والأرض . اختبار
السجادة أو الأرض عادة حسب تعليمات
التنظيف المقترحة من المصنعين قبل
الشفط .

فك مقبض التمديد

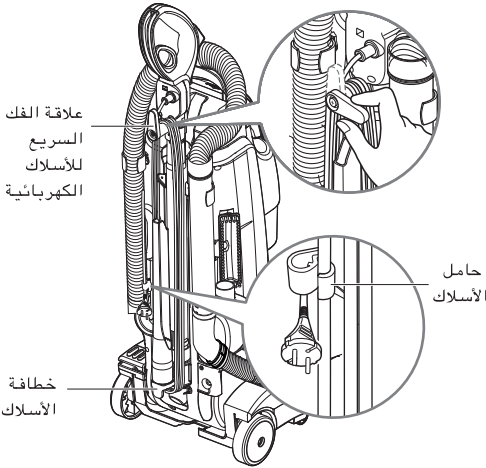


فك مقبض التمديد برفع عصا الفك للتمديد مع الاصابع ورفع مقبض التمديد .

رفع عصا الفك للتمديد مع الاصابع وضغط مقبض التمديد لتخفيض ارتفاع مقبض التمديد

الملاحظة: تعديل الارتفاع المناسب لمقبض التمديد حسب حاجتكم من أجل سهولتكم .

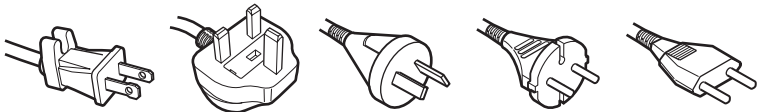
فك الأسلاك الكهربائية



وضع خطافة الفك السريع للأسلاك الكهربائية لفك الأسلاك الكهربائية .

لف الأسلاك الكهربائية حول علاقة الفك السريع للأسلاك الكهربائية والخطافة وتثبيت الأسلاك الكهربائية مع حامل الأسلاك .

أشكال القوابس



أمريكا الشمالية

المملكة المتحدة

أستراليا

أوروبا

إسرائيل

الأجزاء والخصائص

من المهم أن تعرف أجزاء والخصائص الممكنسة الكهربائية لتأكد الاستعمال الآمن .
ويرجى مراجعتها قبل استعمال الممكنسة الكهربائية.

مقبض التمديد

المفتاح

مقبض الحمل

زر تحرير علية الغبار

زر غطاء علية الغبار

علبة الغبار

فوهة الخرطوم

فوهة الخرطوم

فلتر التهوية

عصا الفك للتمدي

علاقة الفك السريع
للأسلاك الكهربائية

أدوات تنظيف الأركان

دواسة فك الجسم

خطافة الأسلاك

جهاز حماية المحركات

فرشاة الغبار

الفوهة الصغيرة

المعلومات من أجل أمنكم

الوقاي الحراري: يتم تركيب جهاز تعديل الحرارة للمكنسة الكهربائية من أجل حمايتها في الحرارة العالية . إذا توقفت المكنسة الكهربائية فجأة، فيجب اطفاء المكنسة الكهربائية وإخراج القابس . ويجب التأكد على مصادر الحرارة العالية للمكنسة الكهربائية مثل علبة الغيار الملبئة، الخراطيم أو الفلترات المسدودة . ويجب اصلاحها والانتظار 30 دقيقة قبل محاولة إعادة استعمال المكنسة الكهربائية إذا كانت الحرارة العالية من هذه الأماكن . يجب ادخال القابس وفتح المفتاح الكهربائي للمكنسة بعد 30 دقيقة . إذا لم تشتغل أيضا، فيجب الاتصال بالعامل الكهربائي المؤهل .

التعليمات الهامة للمستخدمين في المملكة المتحدة:

يتم تلويين رؤوس الأسلاك الكهربائية للمكنسة الكهربائية كالتالي:

الأزرق - متحادي البني - حي

الهامة للغاية:

- يجب عدم توصيل الأرضية إذا تم تركيب القابس 13 amp ويرجى تركيب الفيوز 13 amp BS 1362 .
- يجب استعمال الفيوز كغخ ١٥ عند لوحة توزيع الكهرباء إذا تم تركيب الأنواع الأخرى من القوابس .
- يجب توصيل المكنسة الكهربائية الى القابس مع الفيوز بالكبل .
- يجب استعمال الفيوز 13 amp BS 1362 للتبديل .
- يجب استعمال الفيوز المصدق من ASTA فقد .
- ممنوع استعمال الفيوز بدون الغطاء أو الحامل .
- يجب شراء الغطاء والحامل من الوكيل المؤهل لقطع الغيار الكهربائية .

المعلومات من أجل أمنكم

يرجى قراءة المعلومات التالية التي تحتوى التعليمات الهامة للامن والاستعمال والصيانة .
تتوافق المكنسة الكهربائية مع عوامل ضغط التالية: 2006/95/EC - عامل الجهد المنخفض - عامل EMC-108/2004/EC .

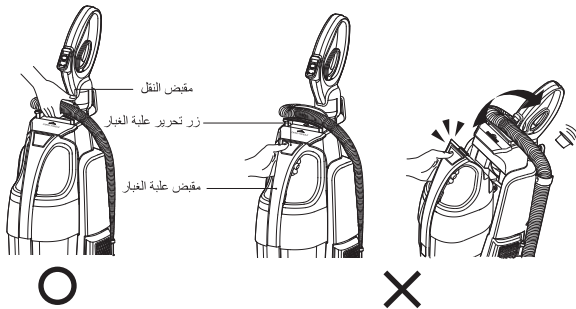
- ❑ ممنوع للأطفال استعمال المكنسة الكهربائية بدون الاشراف .
- ❑ ممنوع استعمالها كالألعاب، قد يسبب الجرح .
- ❑ ممنوع استعمال المكنسة الكهربائية إذا كانت أي قطع الغيار معطلة أو مفقودة أو مخربة . يرجى الاتصال بوكيل LG Electronics المؤهل للصيانة في هذه الأحوال .
- ❑ يجب اصلاح المكنسة الكهربائية في وكيل LG Electronics المؤهل ان انقتضى الأمر .
- ❑ يجب استعمال قطع الغيار المصنعة أو المقترحة من LG ، والإفسوف ينتهى الضمان .
- ❑ ممنوع استعمال المكنسة الكهربائية بدون علية الغبار أو الفلتر .
- ❑ ممنوع استعمال المكنسة الكهربائية إذا كانت الأسلاك الكهربائية مخربة أو معطلة .
- ❑ يجب تبديل الأسلاك الكهربائية بوكيل LG Electronics لتفادى الأخطار إذا كانت الأسلاك مخربة .
- ❑ ممنوع اخراج القابس من المقبس بالأسلاك الكهربائية .
- ❑ ممنوع لف الأسلاك الكهربائية حول الزاوية الحادة أو وضعها فوق أو قريبا من الحرارة العالية .
- ❑ يجب اطفاء المكنسة الكهربائية قبل:

• تفريغ علية الغبار

• تنظيف أو تغيير الفلتر

• اخراج القابس من المقبس

- ❑ ممنوع توصيل قابس المكنسة الكهربائية الى المقبس عند عدم الاستعمال .
- ❑ ممنوع استعمال المكنسة الكهربائية مع الفتحات المسدودة أو شفت الأشياء التي قد تخفض التهوية .
- ❑ ممنوع وضع أي قطع الغيار للجسم أو الملابس أو الأشياء مثل العصا الصغير الى الفتحات أو الأجزاء المنحركة للمكنسة الكهربائية .
- ❑ ممنوع استعمال المكنسة الكهربائية خارج الغرف .
- ❑ ممنوع شطف الرماد الساخن أو الأشياء الحادة .
- ❑ ممنوع شطف المواد المحترقة أو المنفجرة (السائل أو الغاز) .
- ❑ ممنوع شطف الماء أو السوائل الأخرى .
- ❑ ممنوع قبض المكنسة الكهربائية أو ادخال القابس باليدى المبللة .
- ❑ ممنوع اغراق المكنسة الكهربائية في الماء .
- ❑ ممنوع استعمال المكنسة الكهربائية بدون الاصلاح اذا استغرقت في الماء .
- ❑ عند استعمال المكنسة الكهربائية بالمتنيمات ذات دوارة الفرشاة المنحركة • ممنوع وضع الأشياء الى دوارة الفرشاة المنحركة .
- ❑ لا يجوز استعمال المكنسة الكهربائية من قبل الناس (مع الأطفال) الضعفاء في الأجسام أو الحس أو العقل أو بدون الخبرات، والأتحت اشرافهم أو تعليمهم حول استعمال المكنسة الكهربائية من قبل شخص مسؤل عن سلامتهم .
- ❑ يجب اشراف الأطفال من أجل تأكد عدم لعب المكنسة الكهربائية .
- ❑ اذا تمت تغذية الكهربائى للمكنسة الكهربائية من الأسلاك الكهربائية الممتدة أو المقببس المحمول، فيجب تثبيت الأسلاك الكهربائية الممتدة بدون رش الماء والرطوبة العالية .
- ❑ ممنوع شطف الغبار الرقيق .
- ❑ ممنوع وضع المكنسة الكهربائية في الحرارة العالية .
- ❑ ممنوع مسك مقبض الغبار عند نقل المكنسة الكهربائية .
- اذا تم ضغط زر تحرير علية الغبار، فستخرج علية الغبار من المكنسة الكهربائية، وتم يظهر صوت التحذير عند اطفاء المكنسة الكهربائية .
- يجب عليك مسك مقبض النقل عند نقل المكنسة الكهربائية .



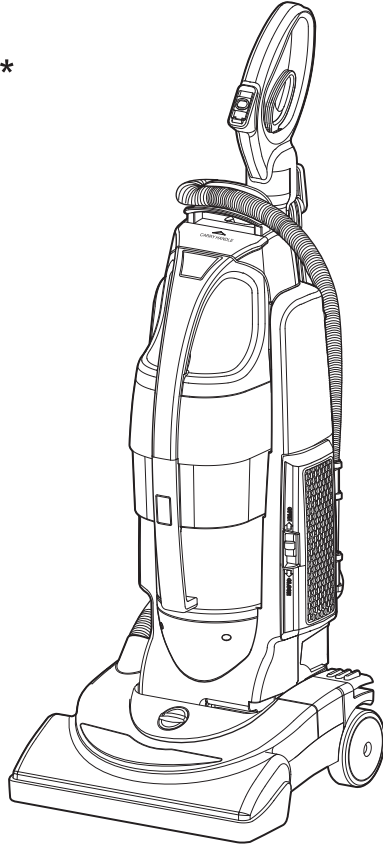
المحتويات

المعلومات من أجل أمنكم	٣-٤
الأجزاء والخصائص	٥
فك مقبض التمديد	٦
فك الأسلاك الكهربائية	٦
تشغيل المفتاح	٧
فك الجسام والأماكن	٧
ضبط ارتفاع النسيج المقترح	٧
جدول استعمال المتممات	٨
حيلة الشفط	٨
المتممات	٨
خصائص المواصفات	١٠
حماية المكنسة الكهربائية	١١
تخزين المكنسة الكهربائية	١١
تركيب علبة الغبار	١١
تنظيف علبة الغبار	١٢
تنظيف أو تغيير الفلتر	١٣
تغيير الحزام وتنظيف الفرشاة المهيجة	١٤
التنظيف الخارجي	١٦
ازالة السد	١٦
اصلاح الأعطال	١٧



المكنسة الكهربائية القائمة دليل الاستعمال

MODEL: VF5718 * * *



يرجى قراءة دليل الاستعمال بكل دقة وجدية قبل تشغيل المكنسة
الكهربائية