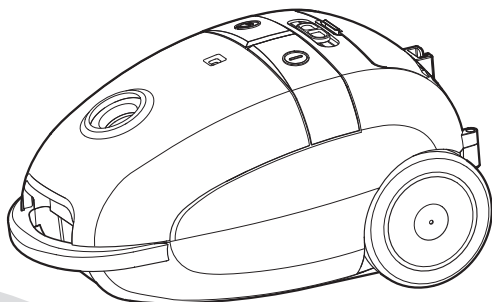


Model	V-CQ2*****		
Language	English		
Page	6	Color(cover/body)	2/1
Material	Weight 100g	Size(W*H)	150 x 220(mm)
Date	2009.07.03	Designer	Zhang Xianli
Part No.	3828F12856F	Description	Owner's manual

### Chage Record

No.	Change content	ECO No.	Date	Designer	Confirm
①					
②					
③					
④	add customer name	ACTT904024	09.07.03	ZXL	CUIYT
⑤					
⑥					
⑦					
⑧					
⑨					



**V-CQ243\*\*\***

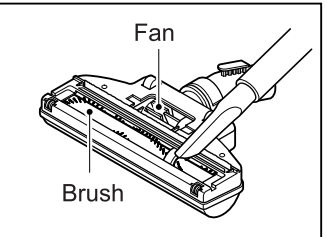
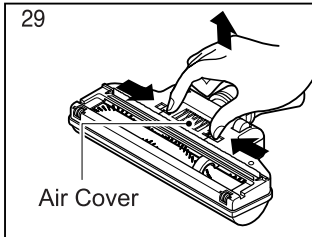
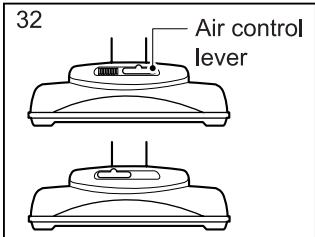
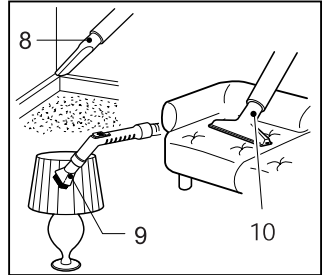
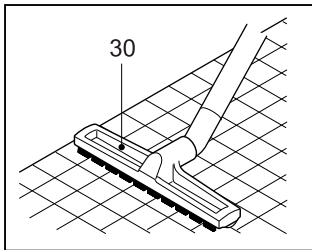
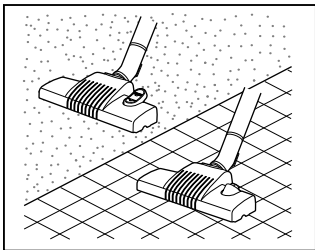
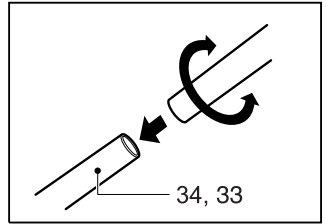
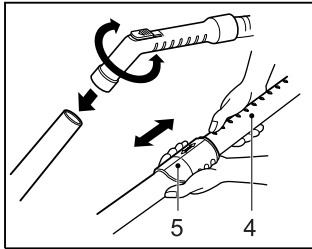
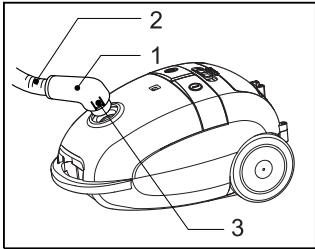
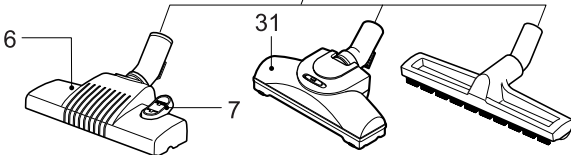
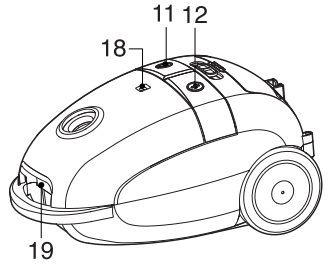
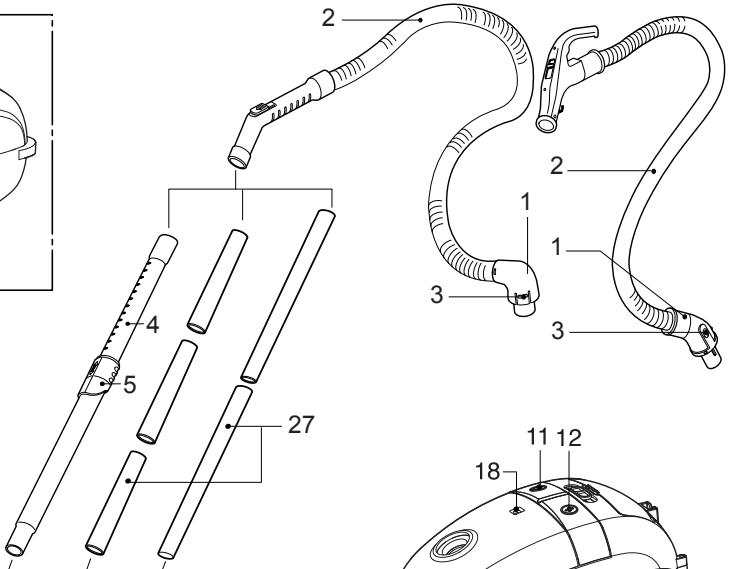
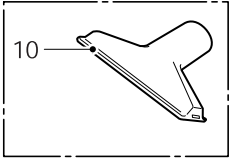
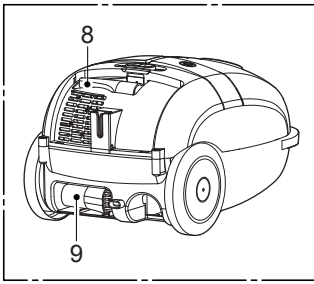
**V-CQ253\*\*\***

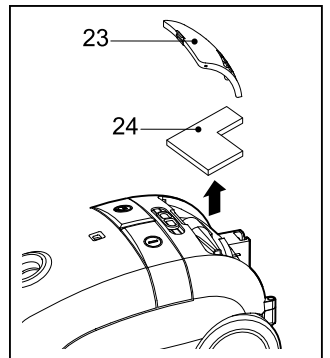
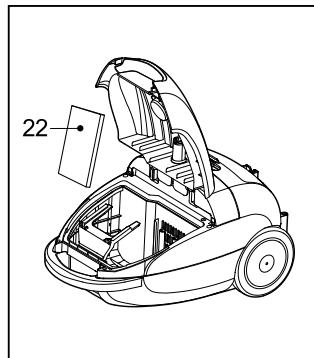
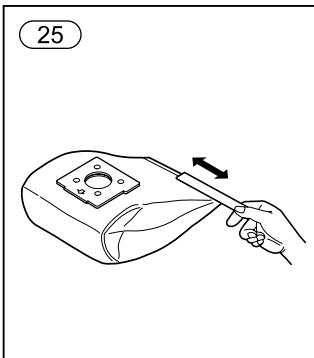
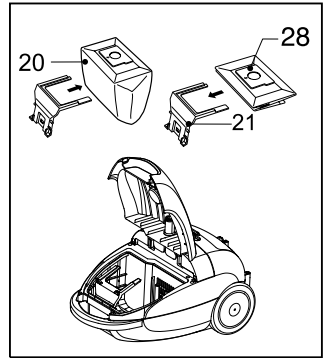
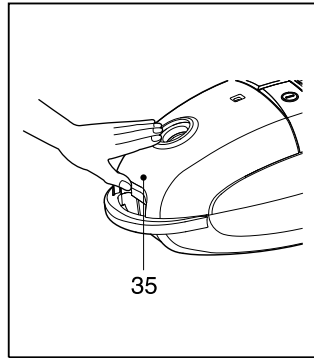
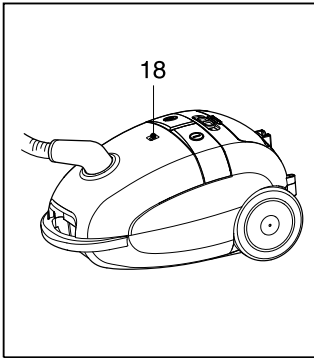
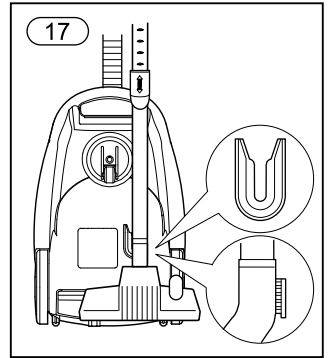
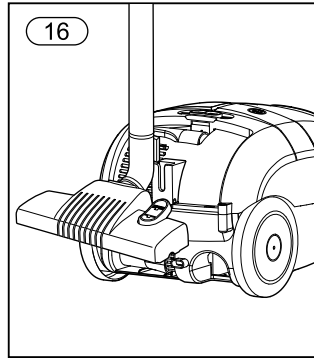
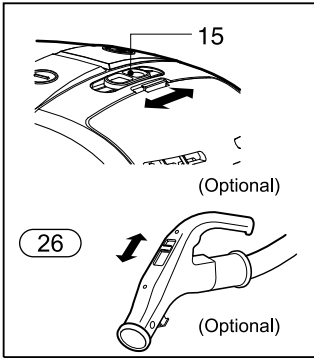
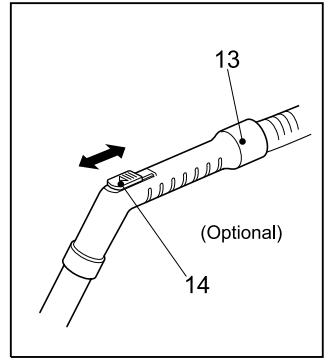
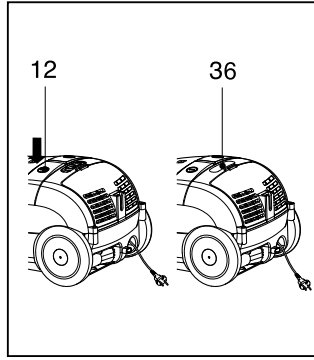
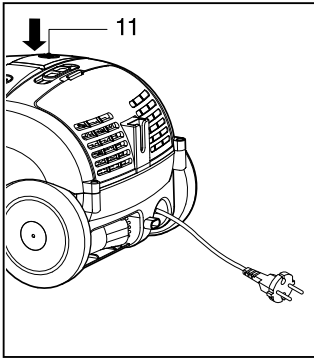
**V-CQ263\*\*\***

**V-CQ264\*\*\***

**V-CQ273\*\*\***

**V-CQ283\*\*\***





## Information for your safety

Please read all the following information, which contains important instructions for the safety, use and maintenance of the appliance.

This appliance complies with the following EC Directives: -73/23/EEC, 93/68/EEC - Low Voltage Directive-89/336EEC - EMC Directive.

- Never allow children to use the appliance unsupervised.
- Do not use the appliance if the supply cord is damaged or faulty.
- If the main lead is damaged, it must be replaced by an approved LG Electronics Service Agent in order to avoid a hazard.
- Always switch the vacuum cleaner off before :
  - changing the dust bag.
  - changing or cleaning the filters.
- **If no dustbag is inserted, the cover cannot be closed. Please do not use force!**
- Do not vacuum flammable or explosive substances (liquids or gases).
- Do not vacuum hot ash, embers etc. sharp objects.
- Do not vacuum water or other liquids.

## How to Use

### Connecting the flexible hose

Push the end of the head (1) on the flexible hose (2) into the attachment point on the vacuum cleaner.

To remove the flexible hose from the vacuum cleaner, press on the button (3) situated on the head, then pull upwards.

### Assembling the tubes

(depending on model)

- **Metal or plastic tube (27)**
  - Fit together the two tubes by twisting slightly.
- **Telescopic tube (4)**
  - Push spring latch (5) forward.
  - Pull out tube to required length.
  - Release spring latch to lock.

### Using the cleaning head and Accessory Nozzles (depending on model)

Fit the large cleaning head onto the end of the tube.

- **The 2-position head (6)** is equipped with a pedal (7) which allows you to alter its position according to the type of floor to be cleaned.

**Hard floor position** (tiles, parquet floors...). Press on the pedal to lower the brush.

**Carpet or rug position.** Press on the pedal to lift the brush up.

- **Hard Floor Nozzle (30)**

Efficient cleaning of hard floors (wood, linoleum, etc.)

- **Turbine brush nozzle (31)**

- Air adjustment (32)

Slide the air control lever to the right for long pile carpet and to the left for short pile carpet.

- Cleaning turbine brush nozzle (29)

Press the button on the rear side of the nozzle to separate the air cover. Use the dusting brush & crevice tool to vacuum clean the brush and fan.

- **Crevice Tool (8)**

For vacuuming in those normally inaccessible places i.e. reaching cobwebs, or down the side of a sofa!

- **Dusting brush (9)**

For vacuuming picture frames, furniture outlines, books and other uneven objects.

- **Upholstery Nozzle (10)**

For vacuuming upholstery, mattresses, etc. The thread collectors help to pick up the threads and fluff.

### How to plug in and use

Pull out the supply cord to the desired length and plug into the socket.

Press button (12) to start the vacuum cleaner. To stop it press the button (12) again.

### Adjusting the power level

(depending on model)

- The flexible hose handle (13) has a manual air flow regulator (14) which allows you to briefly reduce the suction level.
- **Electronic power control (15)**  
Suction capacity increases smoothly up to **MAX.**

- **Electronic power control(26)**  
**OFF:**Power off    **MIN:**Low power  
**MAX:**Full power

### **Park-System(16)**

For short breaks during vacuuming, for example to move a small piece of furniture or a rug, use the 「Park system」 to support the flexible hose and cleaning head.

- Slide the hook attached to the large cleaning tool into the slot on the rear of the appliance.

### **Storage(17)**

When you have switched off and unplugged the appliance, press the button (11) to automatically rewind the cord.

You can move or store your appliance in a vertical position by sliding the hook on the large cleaning head into the clip on the underside of the appliance.

### **Changing the dust bag**

The dustbag needs changing when the cleaner is set to maximum power and the cleaner head is off the floor but the "bag full" indicator window(18) is completely coloured red.

Even if the dustbag does not appear to be full at this stage, it should be changed, as very fine dust can clog up the pores of the dust bag.

- Turn off the appliance and unplug it.
- Open the cover by pressing the hook(19) and lifting it up until it snaps into place.

Your appliance is equipped with either a paper dust bag (20) or a cloth paper (28) or a fabric dust bag (25).

(depending on model)

- Take hold of the dust bag by the handle and pull. Remove the bag and throw it away.
- To refit a new bag push the cardboard support of a new bag into the bag mount (21) until it will go no further.

**If your appliance is fitted with a fabric dust bag** follow the same instructions as above.

Empty it and replace it(25). Do not wash it.

Note: as the appliance is fitted with a safety device which checks that the bag is in place you cannot close the lid if the bag is not fitted correctly.

### **Cleaning the motor filter**

The motor filter is situated inside the appliance between the dust bag and the motor. Each time that you change the air outlet filter we advise you to remove the motor filter(22) and to clean it by tapping to remove the dirt and then replacing it in the vacuum cleaner.

### **Changing the air outlet filters**

Depending on the model you have chosen your appliance is equipped with different types of filters : foam filter or electrostatic filter(24) or anti-odour charcoal filter or washable HEPA filter.

- To change these filters remove the cover of the filter compartment(23) situated at the rear of the appliance.
- **The foam filter** should be cleaned regularly by tapping it to remove the dirt.
- **The electrostatic filter or anti-odour charcoal filter** should be changed regularly.
- Wash the washable HEPA filter with water at least once a year.

### **What to do if your appliance does not work?**

Check that the appliance is correctly plugged in and that the electrical socket is working.

### **What to do when the suction performance reduces?**

- Stop the appliance and unplug it.
- Check that the tubes, flexible hose and cleaning tool are not blocked.
- Check that the dust bag is not full. Replace if necessary.
- Check that the air outlet filter is not blocked. Replace if necessary.



**LG Electronics Inc.**

<http://www.lge.com/>