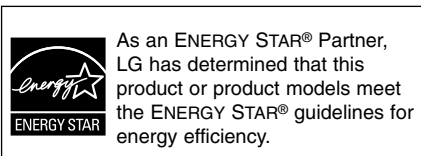


ENGLISH



MODEL: FA164 (FA164-A0P, FAS164F)

Before connecting, operating or adjusting this product, please read this instruction booklet carefully and completely.



ENERGY STAR® is a U.S. registered mark.



iPod is a trademark of Apple Computer, Inc, registered in the U.S. and other countries.

P/NO : MFL63266210

Safety Precaution



CAUTION : TO REDUCE THE RISK OF ELECTRIC SHOCK DO NOT REMOVE COVER (OR BACK) NO USER-SERVICEABLE PARTS INSIDE REFER SERVICING TO QUALIFIED SERVICE PERSONNEL.



This lightning flash with arrowhead symbol within an equilateral triangle is intended to alert the user to the presence of uninsulated dangerous voltage within the product's enclosure that may be of sufficient magnitude to constitute a risk of electric shock to persons.



The exclamation point within an equilateral triangle is intended to alert the user to the presence of important operating and maintenance (servicing) instructions in the literature accompanying the product.

WARNING : TO PREVENT FIRE OR ELECTRIC SHOCK HAZARD, DO NOT EXPOSE THIS PRODUCT TO RAIN OR MOISTURE.

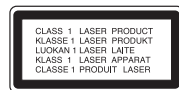
WARNING : Do not install this equipment in a confined space such as a book case or similar unit.

CAUTION : This product employs a Laser System.

To ensure proper use of this product, please read this owner's manual carefully and retain it for future reference. Shall the unit require maintenance, contact an authorized service center.

Use of controls, adjustments or the performance of procedures other than those specified herein may result in hazardous radiation exposure.

To prevent direct exposure to laser beam, do not try to open the enclosure. Visible laser radiation when open. DO NOT STARE INTO BEAM.



CAUTION : The apparatus shall not be exposed to water (dripping or splashing) and no objects filled with liquids, such as vases, shall be placed on the apparatus.

CAUTION concerning the Power Cord

Most appliances recommend they be placed upon a dedicated circuit ;

That is, a single outlet circuit which powers only that appliance and has no additional outlets or branch circuits. Check the specification page of this owner's manual to be certain.

Do not overload wall outlets. Overloaded wall outlets, loose or damaged wall outlets, extension cords, frayed power cords, or damaged or cracked wire insulation are dangerous. Any of these conditions could result in electric shock or fire. Periodically examine the cord of your appliance, and if its appearance indicates damage or deterioration, unplug it, discontinue use of the appliance, and have the cord replaced with an exact replacement part by an authorized service center.

Protect the power cord from physical or mechanical abuse, such as being twisted, kinked, pinched, closed in a door, or walked upon. Pay particular attention to plugs, wall outlets, and the point where the cord exits the appliance.

To disconnect power from the mains, pull out the mains cord plug. When installing the product, ensure that the plug is easily accessible.

This device is equipped with a portable battery or accumulator.

Safe way to remove the battery or the battery from the equipment: Remove the old battery or battery pack, follow the steps in reverse order than the assembly.

To prevent contamination of the environment and bring on possible threat to human and animal health, the old battery or the battery put it in the appropriate container at designated collection points. Do not dispose of batteries or battery together with other waste. It is recommended that you use local, free reimbursement systems batteries and accumulators.

The battery shall not be exposed to excessive heat such as sunshine, fire or the like.

Contents

Setting up	4
Main Unit	5
Remote control	6
Listening to CDs	7
Listening to the radio	8
Listening to music from your portable player	8
Using an USB device	9
Setting the Clock	9
Playing the iPod	10
Recording to USB	11
Troubleshooting	12
Specifications	12

Precautions in using the touch buttons

- Use the touch buttons with clean and dry hands.
 - In a humid environment, wipe out any moisture on the touch buttons before using.
- Do not press the touch buttons hard to make it work.
 - If you apply too much strength, it can damage the sensor of the touch buttons.
- Touch the button that you want to work in order to operate the function correctly.
- Be careful not to have any conductive material such as metallic object on the touch buttons, and it can cause malfunctions.

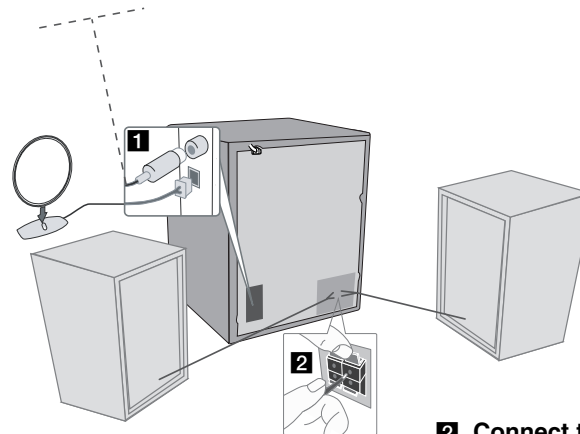
Setting up

1 Fit the AM loop aerial to its stand

Connect the AM loop aerial to the player.

Connect the FM aerial

The reception will be at its best when the two loose ends of the aerial are in a straight line and horizontal.



2 Connect the speaker cables to the player

Cables from the left-hand speaker connect to the terminal marked L (left) + (plus) and - (minus). Cables from the right-hand speaker are connected to the terminal marked R (right) + (plus) and - (minus).

To connect the cable to the player, press each of the four square plastic finger pads on the rear of the player. The connector will open ready to receive a cable.

3 Plug the power plug into a wall socket

Main Unit

TOP

FUNC.

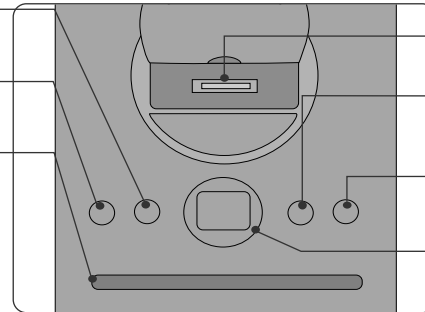
(Function) Selects the function.

⏻/⏻ (Power)

Turn the unit on and off.

Disc Slot

- Do not push a disc forcibly into the CD slot.
- Do not pull or push a disc while a disc is ejected.
- Press ▲ again to reinsert the disc after ejecting it.
- **pick it to the CD slot with the label side toward**



iPod Dock

USB REC.

Recording to USB.

▲
Ejects or insert the disc from slot loader.

USB Port

FRONT

■

Stop

⏪ / ⏩

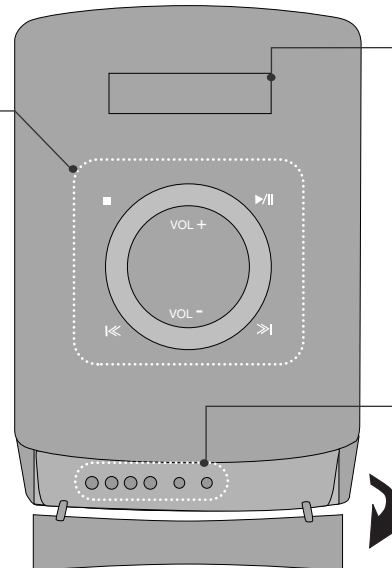
Scanning/ Tuning/ Searching

▶/⏻

Play/ Pause

VOL +/-

Volume control



Display Window

EQ/ DEMO

You can choose fixed sound impression.
Press **DEMO** in power off state to demonstrate the function on display window.

CLOCK

(See "Setting the Clock")

TIMER

(See the "Using your player as an alarm clock")

SET

Confirms the settings.

PORTABLE IN

For connecting a portable device and listening to sound of it through this system's speakers.

PHONES

Headphone jack

Remote control

	POWER on/ off
SLEEP	Fall asleep while listening to your unit Press SLEEP one or more times to select delay time between 10 and 180 minutes (Dimmer: Dim the display light)
INFO	See information about your music.

F (FUNCTION)	Changes the functions.
EQ	sound quality adjustment. You can choose sound impressions.
LG EQ	You can select a Natural or Local Specialization equalizer effect by using LG EQ.

REPEAT/MENU	Listenes to your tracks repeatedly or randomly.
TUN (+)/(-)	Selects the radio station. Searchs for a section within a track. Skips Fast backward or Forward.
▶/ 	Starts or pauses playback
■ ENTER	Stops playback or recording

REC	Recording button.
------------	--------------------------

FOLDER • PRESET	Searchs for a folder of MP3/ WMA files When a CD containing MP3/ WMA files in several folders is being played, press FOLDER•PRESET selects the folder you want to play. Choose a 'preset number' for a radio station.
VOL ±	Controls the volume when using any function.
PROGRAM / MEMO.	For storing radio stations If you have saved radio stations using PROGRAM/MEMO. , you can scroll through them and select one. Listens to your tracks in any order
	Temporarily stop the sound Press the button again to return to the sound.



Put the battery into the remote control

Make sure for the + (plus) and - (minus) on the battery to be matched on the remote control. (size AAA)

Listening to CDs

Audio CD and MP3/ WMA CD can be played back in this unit.

	ON UNIT	ON REMOTE
1. Insert the CD	-	-
2. Select the CD function The display will show the total number of tracks (files).	FUNC.	FUNCTION
3. Start the CD playing	▶/ 	▶/
4. To stop a CD playing	■	■ ENTER

Listening to CDs - More you can do

Pausing or restarting a CD

- 1 Press **▶/||** on the unit or **▶/||** on the remote control during playback.
- 2 Press this button again to resume play.

Searching for a section within a track

Press and Hold **◀◀ / >>** on the unit or **◀◀/▶▶** on the remote control during playback and release it at the point you want to listen to.

Skipping to another track (files)

Press **◀◀ / >>** on the unit or **◀◀/▶▶** on the remote control in stop status.

Creating your own playlist

You can play up to 30 tracks on a CD in order.

- 1 Insert a CD and wait for it to be read.
- 2 Press **PROGRAM/MEMO.** on the remote control in stop status.
- 3 Press **◀◀ / >>** on the unit or **◀◀/▶▶** on the remote control to select a track.
- 4 Press **PROGRAM/MEMO.** again to save and select a next track.
- 5 Press **▶/||** on the unit or **▶/||** on the remote control to play the programmed music files.
- 6 To clear your selection, press **■** (or **■ ENTER**), **PROGRAM/MEMO.** and then **■** (or **■ ENTER**).

Listening to your tracks (files) repeatedly or randomly

- 1 Press **REPEAT/MENU** on the remote control repeatedly. The current (tracks) file will be played back repeatedly or randomly.
- 2 To return to normal playback, press **REPEAT/MENU** repeatedly to select.

About MP3/ WMA

MP3/ WMA Disc compatibility with this unit is limited as follows:

- Sampling Frequency : 32 - 48 kHz (MP3), 32 - 48 kHz (WMA)
- Bit rate : 32 - 320 kbps (MP3), 40 - 320 kbps (WMA)
- CD-R physical format should be "ISO 9660/ JOLIET"
- If you record MP3/WMA files using the software which cannot create a FILE SYSTEM, for example "Direct-CD" etc., it is impossible to playback MP3 files. We recommend that you use "Easy-CD Creator", which creates an ISO 9660 file system.
- Do not use special letters such as "/ : * ? " < >"etc.
- At most 99 folders and 999 files are supported on the unit..

Enjoying a pre-programmed sound field

The system has a number of pre-set surround sound fields. You can select a desired sound mode by using **EQ/ LG EQ**. The displayed items for the Equalizer may be different depending on sound sources and effects.

NATURAL

You can enjoy comfortable and natural sound.

Local specialization equalizer

Regionally optimized sound effect. (DANGDUT/ ARABIC/ PERSIAN/INDIA/ REGUETON/ MERENGUE/ SAMBA/ SALSA)

AUTO EQ

Realizes the sound equalizer that is the most similar to the genre of which is included in song files.

POP CLASSIC JAZZ ROCK

This program lends an enthusiastic atmosphere to the sound, giving you the feeling you are at an actual rock pop, jazz or classic concert.

MP3 OPT

This function is optimized for compressible MP3/WMA file. It improves the bass sound.

XDSS ON

Reinforce the treble, bass and surround sound effect.

VIRTUAL

You can enjoy more virtual surround sound.

NORMAL

You can enjoy the sound without equalizer effect.

Displaying file information (ID3 TAG)

You can check the ID3 TAG information of MP3 files only in discs by pressing **INFO** repeatedly.

Listening to the radio

Make sure both for the FM and AM aerial to be stretched to the most.

	ON UNIT	ON REMOTE
1 Select FM or AM	FUNC.	FUNCTION
2 Select a radio station	 << / >> 	TUN- / +
3 To save a radio station A preset number will show in the display.	-	PROGRAM/MEMO.
4 Select the preset number Up to 50 radio stations can be saved.	-	FOLDER* PRESET
5 To confirm press	-	PROGRAM/MEMO.
6 To select a 'saved' station	-	FOLDER* PRESET

Listening to the radio - More you can do

Looking for radio stations automatically

- 1 Press and hold **TUN- / TUN+** for more than a second.
- 2 The tuner will scan automatically and stop when it finds a radio station.

Deleting all the saved stations

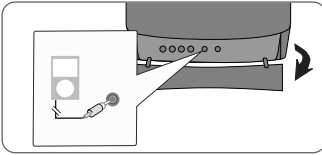
- 1 Press and hold **PROGRAM/MEMO.** for two seconds.
- "ERASE ALL" will flash up on the display.
- 2 Press **PROGRAM/MEMO.** to erase all saved radio stations.

Improving poor FM reception

Press **▶/■** (MO./ST.) on the remote control. This will change the tuner from stereo to mono and usually improve the reception.

Listening to music from your portable player

The unit can be used to play the music from many types of portable player.

	ON UNIT	ON REMOTE
1 Connect the portable player to the PORT.IN (PORTABLE IN) connector of the unit.	-	-
		
2 Turn the power on.	⏻/⏿	⏻
3 Select the function. Turn on the portable player and start it playing.	FUNC.	FUNCTION

Using an USB device

You can enjoy media files saved on a USB device by connecting the USB device to the USB port of the unit. If you want to operate other function, see the "Listening to CDs" section.

	ON UNIT	ON REMOTE
1 Open the USB port cover.	-	-
2 Connect the USB device to the USB port of the unit.	-	-
3 Select the USB function.	FUNC.	FUNCTION
4 Select a file you want to play.	 << / >> 	 << / >>
5 Start your media playing.	▶ / 	▶ /
6 To stop, press	■	■ ENTER
7 Before disconnecting, you have to change to any other function.	FUNC.	FUNCTION

Compatible USB Devices

- MP3 Player : Flash type MP3 player.
- USB Flash Drive : Devices that support USB2.0 or USB1.1.
- The USB function of this unit does not support all USB devices.
- Devices which require additional program installation when you have connected it to a computer, are not supported.

Look out for the follows

- Do not extract the USB device while in operation.
- For a large capacity USB, it may take longer than a few minute to be searched
- To prevent data loss, back up all data.
- If you use a USB extension cable or USB hub, the USB device is not recognized.
- Using NTFS file system is not supported. (Only FAT(16/32) file system is supported.)
- This unit is not supported when the total number of files is 1000 or more.
- External HDD, Card readers, Locked devices, or hard type USB devices are not supported.
- USB port of the unit cannot be connected to PC.
- The unit can not be used as a storage device.

Setting the Clock

	ON UNIT
1 Turn the power on	⏻/
2 Press for at least 2 seconds	CLOCK
3 Choose from either AM 12:00 (for an AM and PM display) or 0:00 (for a 24 hour display)	 << / >>
4 Confirm your selection	SET
5 Select the hours	 << / >>
6 Press	SET
7 Select the minutes	 << / >>
8 Press	SET

Using your player as an alarm clock

- 1 Turn the power on.
- 2 Press and hold **TIMER** Each function, EX) TUNER, CD.... flashes.
- 3 Press **SET** when the function you want to be woken by is showing.
- 4 Choose one of them by pressing **SET**.
- 5 "ON TIME" will be displayed. Then you can set the time you want the alarm to go on. Press **|<< / >>|** to change the hours and minutes and **SET** to save.
- 6 "OFF TIME" will be displayed. Then, you can set the time you want the function to stop. Press **|<< / >>|** to change the hours and minutes and press **SET** to save.
- 7 You will be shown the volume (VOL) you want to be woken by. Use **|<< / >>|** to change the volume and **SET** to save.
The clock icon "⌚" shows that the alarm is set.
- 8 Press **TIMER** button 2times. You can check the setting status.

Notes:

- If you set the clock time, you can check the time by pressing **CLOCK** even when the player is turned off.
- If you set the clock time and alarm, you can check the alarm icon "⌚" by pressing **CLOCK** even when the player is turned off.

Setting the asleep time

- 1 Press **SLEEP** repeatedly to select delay time between 10 and 180 minutes, after the unit will be turned off.
- 2 To check the remaining time, press **SLEEP**.
- 3 Press **SLEEP** once while "SLEEP 10" is displayed, to deactivate sleep function.

Playing the iPod

You can listen to music by connecting iPod to the player. Connect iPod to iPod dock on the upper part of the player.

	ON UNIT	ON REMOTE
1. Select the iPod function "IPOD" displays.	FUNC.	FUNCTION
2. Start the playing	▶/ 	▶/
3. Before disconnecting the iPod, change to any other function by pressing	FUNC.	FUNCTION
4. Remove iPod	-	-

Playing the iPod - more you can do

Pausing or restarting an iPod

- 1 Press **▶/||** on either the player or the remote control during playback.
- 2 Press this button again to resume play.

Searching for a section within a track

Press and Hold **⏮ / ⏭** on either the unit or the remote control during playback.

Skipping to another track (files)

Press **⏮ / ⏭** on either the unit or the remote control.

Move to a desired item

Press **REPEAT/MENU** on the remote control, you can move to the previous list.
Press **FOLDER.PRESET** on the remote control, you can move to a desired item. Then, press **ENTER** on the remote control. you can confirm it.

iPod message

"**CHECK IPOD**" - If the power of your iPod is insufficient or the iPod is misconnected or unknown device. Reset the iPod if the iPod is not operating normally (Refer to <http://www.apple.com/support/>)

Compatible iPod

- It works with all iPod models that have a dock connector.
- Compatibility with your iPod may vary depending on the type of your iPod.
- Depending on your iPod's software version, it may not be possible to control your iPod from the unit. We recommend installing the latest software version.

NOTES :

- It works with all iPod models that have a dock connector.
- Compatibility with your iPod may vary depending on the type of your iPod.
- Adjust the volume to a moderate level before you connect your iPod and this unit.
- You can enjoy clearer sound on charge off than on charge on. Press **INFO** on the remote control repeatedly, the display changes in the following order, CHARGE ON → CHARGE OFF.
- When the connection with iPod is not solid and the remaining battery is not enough, the message "ERROR" is displayed or iPod will not respond. Charge your iPod battery.

Recording to USB		
	ON UNIT	ON REMOTE
1 Connect the USB device to the USB port of the unit.	-	-
2 Select a mode in which you want to record Play a sound source first.	FUNC.	FUNCTION
3 Start the recording	USB REC.	● REC
4 To stop recording, press	■	■ ENTER

Recording to USB - more you can do

Recording Music file in disc source to USB

One track recording

If the USB recording is started during playback of the CD, the one track/ file would be recording into the USB.

All tracks recording

If the recording button is pressed at the CD stop, all tracks/ files would be recording. The files in the sub-folders are not recorded during all track recording.

Program list recording

USB records after creating your own program if you want to record the track you want (AUDIO CD Only).

When you are recording, look out for the following

- When you stop recording, the file that has been recorded at that time will be stored. (Audio CD only)
- Do not remove the USB device or turn off the unit during USB recording. If not, an incomplete file may be made and not deleted on PC.
- If USB recording does not work, the message like “NO USB”, “ERROR”, “FULL”, “NO REC” is displayed on the display window.
- Multi card reader device or External HDD can not be used for USB recording.
- A file is recorded by about 512 Mbyte when you record for a long term.
- You may not record more than 999 files.
- **It'll be stored as follows.**

AUDIO CD	MP3/ WMA	The other sources
<pre> CD_REC ├── TRK-001 ├── TRK-002 ├── ⋮ └── ⋮ </pre>	<pre> FILE_REC ├── 001_ABC(File name) ├── 002_DEF(File name) ├── ⋮ └── ⋮ </pre>	<pre> EXT_REC ├── AUD-001 ├── AUD-002 ├── ⋮ └── ⋮ </pre>

The making of unauthorized copies of copy-protected material, including computer programs, files, broadcasts and sound recordings, may be an infringement of copyrights and constitute a criminal offense. This equipment should not be used for such purposes.

**Be responsible
Respect copyrights**

Troubleshooting		
Symptom	Cause	Correction
General		
No power.	The power cord is not plugged in.	Plug in the power cord.
	Check whether electricity failed.	Check the condition by operating other electronic devices.
No sound.	Check whether you select right function.	Press FUNC. (FUNCTION) and check the selected function.
CD		
The unit does not start playback.	An unplayable disc is inserted.	Insert a playable disc.
	The disc is dirty.	Clean the disc.
RADIO		
Radio stations cannot be tuned in.	The antenna is positioned or connected poorly.	Connect the antenna securely.
iPod		
iPod does not work.	Check whether the player is connected to the unit correctly.	Connect it to the unit correctly.
	Check whether iPod is fully charged.	Charge the iPod. iPod is automatically charged when connected to the player.
Remote control		
The remote control does not work properly.	The remote control is too far from the unit.	Operate the remote control within about 16 ft (5 m).
	There is an obstacle in the path of the remote control and the unit.	Remove the obstacle.
	The battery in the remote control is exhausted.	Replace the battery with new one.

- "Made for iPod" means that an electronic accessory has been designed to connect specifically to iPod and has been certified by the developer to meet Apple performance standards.
- Apple is not responsible for the operation of this device or its compliance with safety and regulatory standards.

Designs and specifications are subject to change without prior notice.

Specifications	
General	
Power supply	Refer to the main label (Mexico only : 120 V ~ 60 Hz)
Power consumption	50 W
Net Weight	3.2 kg
External dimensions (WxHxD)	175 x 269 x 290 mm
Operating temperature	5°C 35 °C
Operating humidity	5% 85%
Tuner	
FM Tuning Range	87.5 - 108.0 MHz or, 87.50 - 108.00 MHz
AM Tuning Range	522 - 1620 kHz or 520 - 1710 kHz
Amplifier	
Output Power	80W + 80W
T.H.D	0.5%
Frequency Response	20 - 20000 Hz
Signal-to-noise ratio	75 dB
CD	
Frequency response	20 - 20000 Hz
Signal-to-noise ratio	75 dB
Dynamic range	75 dB
Speakers (FAS164F)	
Type	3Way 4Speaker
Impedance	4Ω
Rated Input Power	80 W
Max. Input Power	160 W
Net Dimensions (WxHxD)	132 x 320 x 300 mm
Net Weight (1EA)	4.1 kg
USB	
Version	1.1 or 2.0
BUS Power supply	DC 5V $\bar{\text{---}}$ 500mA



Atención al Cliente			
País	Teléfono	País	Teléfono
México	01-800-347-1919	Costa Rica	1-800-507-5454
Colombia	01-800-910683	Rep. Dominicana	00-800-751-5454
Chile	800-26-1054	Guatemala	1-801-422-5454
Ecuador	1-800-545454	El Salvador	00-800-6309
Venezuela	800-542477	Cuba	204-3333
Panamá	800-5454	Miami, USA	1-305-477-1882
Perú	0-800-1-2424	Bolivia, La Paz	800-100-545
Puerto Rico	001-800-510-9564	Nicaragua	001-800-507-0007
Argentina	0800-888-454 (Capital y GBA) / 0810-555-5454 (Interior del país)		


www.lgservice.com