



**LG**

Life's Good

ENGLISH

ESPAÑOL

# OWNER'S MANUAL WASHING MACHINE

Please read this manual carefully before operating your washing machine and retain it for future reference.

WT5001C\*

# INTRODUCTION

## IMPORTANT SAFETY INSTRUCTIONS

Basic safety precautions ..... 3-4  
Grounding instructions ..... 4  
Safety instructions for installation ..... 5  
Safety instructions for use, care and cleaning,  
and disposal ..... 6

## PARTS AND FEATURES

Special Features ..... 7  
Key Parts and Components ..... 8

## INSTALLATION INSTRUCTIONS

Choose the Proper Location ..... 9  
Flooring ..... 9  
Clearances ..... 9  
Unpack the Washer ..... 10  
Connecting the Water Lines ..... 11  
Connecting the Drain Line ..... 11-12  
Leveling the Washer ..... 12  
Connect to the Power Supply ..... 12

## HOW TO USE

Control Panel Features ..... 13  
Operating the Washer ..... 14  
Cycle Guide ..... 15  
Sorting Wash Loads ..... 16  
Selecting Detergent ..... 17  
About the Dispenser ..... 17  
Loading the Dispenser ..... 18  
The LED Display ..... 19  
Cycle Modifier Buttons ..... 20-21  
Cycle Option Buttons ..... 22-23

## CARE AND CLEANING

Regular Cleaning ..... 24-25  
Maintenance ..... 25  
Cleaning the Washer ..... 26

## TROUBLESHOOTING

Normal Sounds You May Hear ..... 27  
Before Calling for Service ..... 27-31  
SmartDiagnosis™ ..... 32

## SPECIFICATIONS

Key Dimensions and Specifications ..... 32

**WARRANTY** ..... 33-34

## THANK YOU!

Congratulations on your purchase

and welcome to the LG family.

Your new LG washing machine

combines the most advanced

washing technology with simple

operation and high efficiency.

Follow the operating and care

instructions in this manual, and your

washer will provide many years of

reliable service.



# IMPORTANT SAFETY INSTRUCTIONS

## READ ALL INSTRUCTIONS BEFORE USE

**⚠️ WARNING** For your safety, the information in this manual must be followed to minimize the risk of fire or explosion, electric shock, or to prevent property damage, personal injury, or loss of life.

### Your safety and the safety of others is very important.

We have provided many important safety messages in this manual and on your appliance. Always read and obey all safety messages.



This is the safety alert symbol.

This symbol alerts you to potential hazards that can kill or hurt you and others.

All safety messages will follow the safety alert symbol and either the word DANGER or WARNING.

These words mean:

**⚠️ DANGER:** You can be killed or seriously injured if you don't immediately follow instructions.

**⚠️ WARNING:** You can be killed or seriously injured if you don't follow instructions.

All safety messages will tell you what the potential hazard is, tell you how to reduce the chance of injury, and tell you what can happen if the instructions are not followed.

# IMPORTANT SAFETY INSTRUCTIONS

## READ ALL INSTRUCTIONS BEFORE USE

**⚠️ WARNING** For your safety, the information in this manual must be followed to minimize the risk of fire or explosion, electric shock, or to prevent property damage, personal injury, or loss of life.

### BASIC SAFETY PRECAUTIONS

**⚠️ WARNING:** To reduce the risk of fire, electric shock, or personal injury when using this appliance, follow basic precautions, including the following.

- Before use, the washer must be properly installed as described in this manual.
- Do not wash articles that have been previously cleaned in, washed in, soaked in, or spotted with gasoline, dry cleaning solvents, or other flammable or explosive substances, as they give off vapors that could ignite or explode.
- Do not add gasoline, dry cleaning solvents, or other flammable or explosive substances to the wash water. These substances give off vapors that could ignite or explode.
- Under certain conditions, hydrogen gas may be produced in a hot water system that has not been used for 2 weeks or more. HYDROGEN GAS IS EXPLOSIVE. If the hot water system has not been used for such a period, before using the washer, turn on all hot water faucets and let the water flow from each for several minutes. This will release any accumulated hydrogen gas. As the gas is flammable, do not smoke or use an open flame during this time.
- Do not allow children to play on or in the washer. Close supervision of children is necessary when the washer is used near children.
- Before the washer is removed from service or discarded, remove the lid to prevent children from climbing inside.
- Do not install or store the washer where it will be exposed to the weather or freezing temperatures.
- Do not tamper with controls.
- Do not repair or replace any part of the washer or attempt any servicing other than as described in this manual. We strongly recommend that any service be performed by a qualified individual.
- See **Installation Instructions** for grounding requirements.
- ALWAYS follow the fabric care instructions supplied by the garment manufacturer.
- Do not place items exposed to cooking oil in your washer. Items contaminated with cooking oils may contribute to a chemical reaction that could cause a load to catch fire.
- Use fabric softeners or products to eliminate static only as recommended by the manufacturer.
- This washer is not designed for maritime use or for mobile installations such as in RVs, aircraft, etc.
- Turn off the water taps and unplug the washer if the machine is to be left for an extended period of time, such as during vacations.
- Packaging material can be dangerous for children. There is a risk of suffocation! Keep all packaging from children.
- Always check the inside of the washer for foreign objects before loading laundry. Keep the lid closed when not in use.
- Do not reach into the washer while parts are moving.

### GROUNDING INSTRUCTIONS

This appliance must be grounded. In the event of malfunction or breakdown, grounding will reduce the risk of electric shock by providing a path of least resistance for electric current. This appliance is equipped with a cord having an equipment-grounding conductor and grounding plug. The plug must be plugged into an appropriate outlet that is properly installed and grounded in accordance with all local codes and ordinances.

**⚠️ WARNING:** Improper connection of the equipment-grounding conductor can result in risk of electric shock. Check with a qualified electrician or serviceman if you are in doubt as to whether the appliance is properly grounded. Do not modify the plug provided with the appliance. If it does not fit the outlet, have a proper outlet installed by a qualified electrician. Failure to follow these warnings can cause serious injury, fire, electrical shock, or death.

# IMPORTANT SAFETY INSTRUCTIONS

## READ ALL INSTRUCTIONS BEFORE USE

**⚠️ WARNING** For your safety, the information in this manual must be followed to minimize the risk of fire or explosion, electric shock, or to prevent property damage, personal injury, or loss of life.

## SAFETY INSTRUCTIONS FOR INSTALLATION

**⚠️ WARNING:** To reduce the risk of fire, electric shock, or personal injury when using this appliance, follow basic precautions, including the following.

- **Refer to INSTALLATION INSTRUCTIONS for detailed grounding procedures.** Installation instructions are packed in the washer for installer's reference. If the washer is moved to a new location, have it checked and reinstalled by a qualified service person. Failure to follow this warning can cause serious injury, fire, electrical shock, or death.
- **Do not, under any circumstances cut or remove the third (ground) prong from the power cord.** Failure to follow this warning can cause serious injury, fire, electrical shock, or death.
- **For personal safety, this appliance must be properly grounded.** Failure to follow this warning can cause serious injury, fire, electrical shock, or death.
- **The power cord of this appliance is equipped with a 3-prong (grounding) plug which mates with a standard 3-prong (grounding) wall outlet** to minimize the possibility of electric shock hazard from this appliance.
- **This washer must be plugged into a 120V AC, 60Hz grounded outlet.** Failure to follow this warning can cause serious injury, fire, electrical shock, or death.
- **Have the wall outlet and circuit checked by a qualified electrician to make sure the outlet is properly grounded.** Failure to follow this warning can cause serious injury, fire, electrical shock, or death.
- **Where a standard 2-prong wall outlet is encountered, it is your personal responsibility and obligation to have it replaced with a properly grounded 3-prong wall outlet.** Failure to follow this warning can cause serious injury, fire, electrical shock, or death.
- **Do not install on carpet. Install washer on a solid floor.** Failure to follow this warning can cause serious leak damage.
- **Do not remove ground prong. Do not use an adapter or extension cord. Plug into a grounded 3-prong outlet.** Failure to follow these warnings can cause serious injury, fire, electrical shock, or death.
- **The washer should always be plugged into its own individual electrical outlet which has a voltage rating that matches the rating plate.** This provides the best performance and also prevents overloading house wiring circuits which could cause a fire hazard from overheated wires.
- **Never unplug your washer by pulling on the power cord.** Always grip plug firmly and pull straight out from the outlet. Failure to follow this warning can cause serious injury, fire, electrical shock, or death.
- **Repair or replace immediately all power cords that have become frayed or otherwise damaged. Do not use a cord that shows cracks or abrasion damage along its length or at either end.** Failure to follow this warning can cause serious injury, fire, electrical shock, or death.
- **When installing or moving the washer, be careful not to pinch, crush, or damage the power cord.** Failure to follow this warning can cause serious injury, fire, electrical shock, or death.
- **The washer must be installed and electrically grounded by a qualified service person in accordance with local codes** to prevent shock hazard and assure stability during operation.
- **The washer is heavy. Two or more people may be needed to install and move the appliance.** Failure to do so can result in back or other injury.
- **Store and install the washer where it will not be exposed to temperatures below freezing or exposed to outdoor weather conditions.** Failure to follow this warning can cause serious leak damage.
- **Do not install the washer in humid spaces to reduce the risk of electric shock.** Failure to follow this warning can cause serious injury, fire, electrical shock, or death.
- **To reduce the risk of personal injury, adhere to all industry recommended safety procedures including the use of long sleeved gloves and safety glasses.** Failure to follow all of the safety warnings in this manual could result in property damage, personal injury or death.

# IMPORTANT SAFETY INSTRUCTIONS

## READ ALL INSTRUCTIONS BEFORE USE

**⚠️ WARNING:** For your safety, the information in this manual must be followed to minimize the risk of fire or explosion, electric shock, or to prevent property damage, personal injury, or loss of life.

## SAFETY INSTRUCTIONS FOR USE, CARE AND CLEANING, AND DISPOSAL

**⚠️ WARNING:** To reduce the risk of fire, electric shock, or personal injury when using this appliance, follow basic precautions, including the following.

- **Unplug the washer before cleaning** to avoid the risk of electric shock.
- **Never use harsh chemicals, abrasive cleaners, or solvents to clean the washer.** They will damage the finish.
- **Do not put oily or greasy rags or clothing on top of the washer.** These substances give off vapors that could ignite the materials.
- **Do not wash items that are soiled with vegetable or cooking oil.** These items may contain some oil after laundering. Due to the remaining oil, the fabric may smoke or catch fire by itself.
- **Disconnect this appliance from the power supply before attempting any user maintenance. Turning the controls to the OFF position does not disconnect this appliance from the power supply.** Failure to follow this warning can cause serious injury, fire, electrical shock, or death.
- **Do not combine laundry products for use in one load unless specified on the label.**
- **Do not mix chlorine bleach with ammonia or acids such as vinegar. Follow package directions when using laundry products.** Incorrect usage can produce poisonous gas, resulting in serious injury or death.
- **Do not reach into the washer while parts are moving. Before loading, unloading or adding items, press the START/PAUSE button and allow the drum to coast to a complete stop before reaching inside.** Failure to follow this warning can cause serious injury, fire, electrical shock, or death.
- **Do not allow children to play on or in the washer. Close supervision of children is necessary when the washer is used near children. As children grow, teach them the proper, safe use of all appliances.** Failure to comply with these warnings could result in serious personal injuries or death.
- **Destroy the carton, plastic bag and other packing materials after the washer is unpacked. Children might use them for play. Cartons covered with rugs, bedspreads, or plastic sheets can become airtight chambers.** Failure to comply with these warnings could result in serious personal injuries or death.
- **Keep laundry products out of reach of children. To prevent personal injury, observe all warnings on product labels.** Failure to comply with these warnings could result in serious personal injuries.
- **Remove the lid to the washing compartment before your washer is removed from service or discarded to avoid the danger of children or small animals getting trapped inside.** Failure to do so can result in serious personal injury or death.

**SAVE THESE INSTRUCTIONS**

# PARTS AND FEATURES

## SPECIAL FEATURES

### **A** SMARTRINSE™ WITH JET SPRAY

This washer is designed to save rinse water by using the SMARTRINSE™ with jet spray in COTTON/NORMAL and HEAVY DUTY cycles.

NOTE: Select FABRIC SOFTENER option or EXTRA RINSE option, if you use fabric softener in COTTON/NORMAL and HEAVY DUTY cycles.

### **B** INVERTER DIRECT DRIVE

Inverter Direct Drive eliminates the belt and pulleys found on most washers to provide improved performance and reliability while increasing energy efficiency.

### **C** LID LOCK SWITCH

The washer lid is locked during operation. The lid can be unlocked by pressing the Start/Pause button to stop the washer.

### **D** SLAMPROOF™ LID

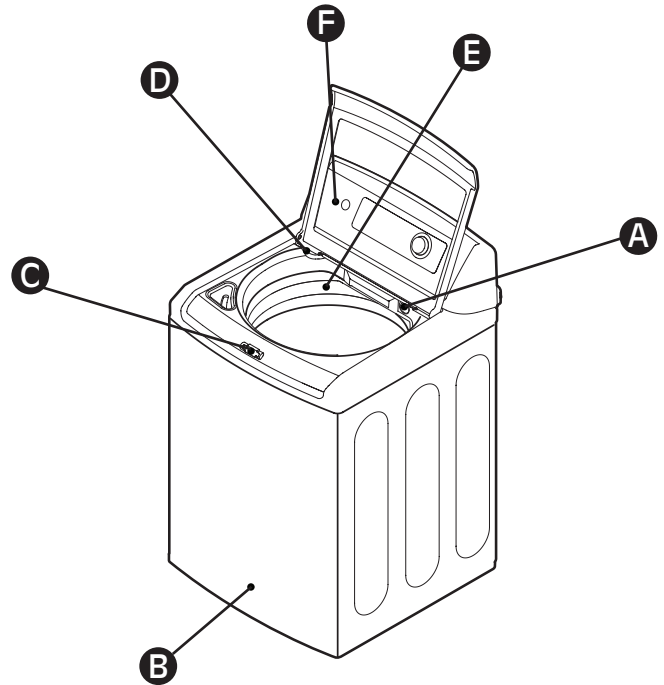
The SLAMPROOF™ lid is a safety device that closes the lid slowly. The SLAMPROOF™ lid keeps the heavy lid from falling and injuring the user.

### **E** WAVEFORCE™

Rapidly rotating drum uses centrifugal force and an angled spray to pull water through the fabric, resulting in less friction for a gentler and more thorough cleaning.

### **F** SMARTDIAGNOSIS™

Should you experience any technical difficulty with your washing machine, it has the capability of transmitting data by phone to the Customer Information Center. The call center agent records the data transmitted from your machine and uses it to analyze the issue, providing a fast and effective diagnosis (refer to page 32).

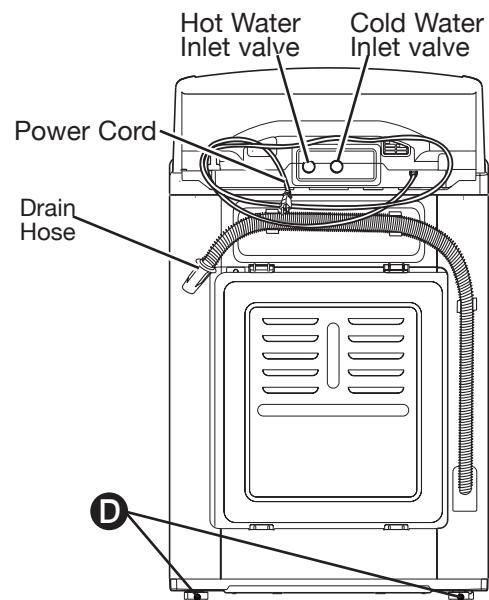
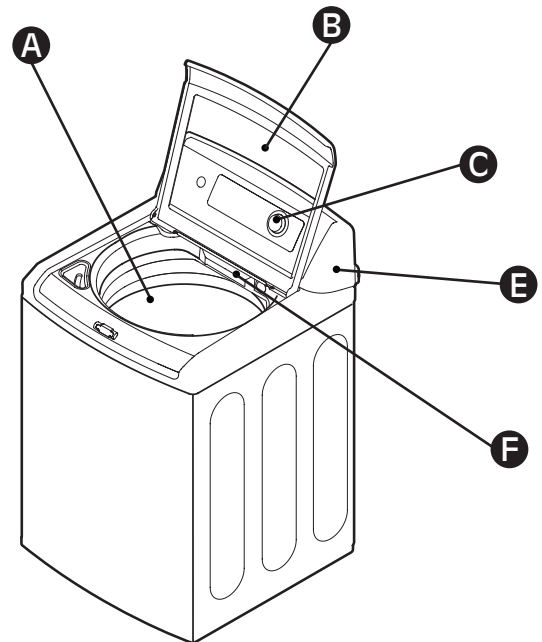


# PARTS AND FEATURES

## KEY PARTS AND COMPONENTS

In addition to the special features and components outlined in the **Special Features** section, there are several other important components that are referenced in this manual.

- A ULTRA-CAPACITY STAINLESS STEEL DRUM**  
The ultra-large stainless steel drum offers extreme durability.
- B TEMPERED GLASS LID**  
The tempered glass lid is durable and makes it easy to see the inside of washer.
- C ROTARY KNOB**  
Turn this knob to select the desired cycle. Once the desired cycle has been selected, the standard presets will be shown in the display. These settings can be adjusted using the cycle setting buttons anytime before starting the cycle.
- D AUTO LEVELING FEET**  
The automatic leveling feet (in the rear) adjust to improve washer stability on uneven floors.
- E REAR CONTROL PANEL WITH LED DISPLAY**  
The easy-to-read LED display show cycle options, settings, processing, estimated time remaining during operation.
- F DETERGENT DISPENSER DRAWER**  
There are two compartments, one each for main wash (liquid or powder) and liquid fabric softener.



### Included Accessories

- Hot and Cold Water Hoses (with 2 seals per hose at each ends)



- Tie Strap (for securing drain hose)





# INSTALLATION INSTRUCTIONS

## CHOOSE THE PROPER LOCATION

### **⚠️ WARNING**

- **The washer is heavy! Two or more people are required when moving and unpacking the washer.** Failure to do so can result in back or other injury.
- **Store and install the washer where it will not be exposed to temperatures below freezing or exposed to outdoor weather conditions.** Failure to follow this warning can cause serious injury, fire, electrical shock, or death.
- **Properly ground washer to conform with all governing codes and ordinances.** Failure to follow this warning can cause serious injury, fire, electrical shock, or death.
- **To reduce the risk of electric shock, do not install the washer in humid spaces.** Failure to follow this warning can cause serious injury, fire, electrical shock, or death.
- The base opening must not be obstructed by carpeting when the washer is installed on a carpeted floor.
- Keep the area underneath and around your appliances free of combustible materials such as lint, paper, rags, chemicals, etc.
- **Do not remove ground prong. Do not use an adapter or extension cord. Plug into a grounded 3-prong outlet.** Failure to follow this warning can cause serious injury, fire, electrical shock, or death.

### **POWER OUTLET**

- The power outlet must be within 60 inches (1.5 m) of either side of the washer.
- The appliance and outlet must be positioned so that the plug is easily accessible.
- Do not overload the outlet with more than one appliance.
- The outlet must be grounded in accordance with current wiring codes and regulations.
- Time-delay fuse or circuit breaker is recommended.

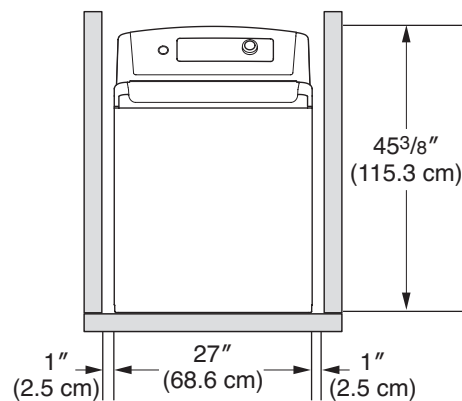
**NOTE:** It is the personal responsibility and obligation of the product owner to have a proper outlet installed by a qualified electrician.

## FLOORING

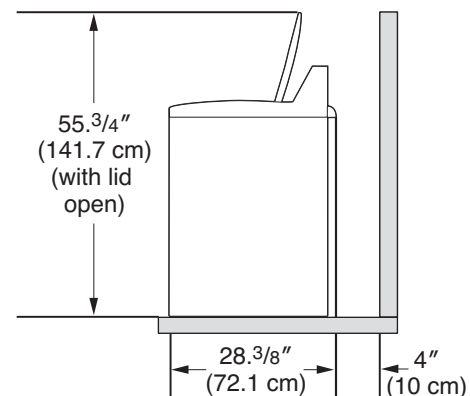
- To minimize noise and vibration, the washer **MUST** be installed on a solidly constructed floor.
- Allowable slope under the entire washer is 1° maximum.
- Carpeting and soft tile surfaces are not recommended.
- Never install the washer on a platform or weakly supported structure.

**NOTE:** The washer must be installed on firm flooring to minimize vibration during the spin cycle. Concrete flooring is best, but a wood floor is sufficient, provided it is built to FHA standards. The washer should not be installed on rugs or exposed to weather.

## CLEARANCES



To ensure sufficient clearance for water lines allow minimum clearances of at least 1 inches (2.5 cm) at the sides and 4 inches (10 cm) behind the unit. Be sure to allow for wall, lid, or floor moldings that may increase the required clearances.

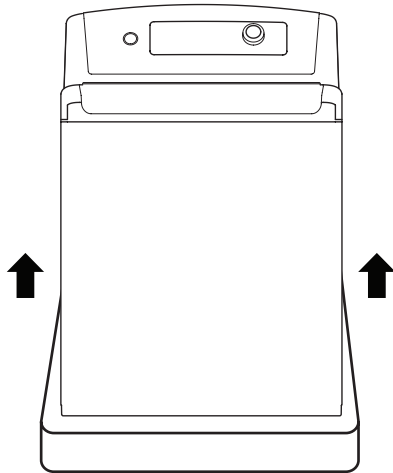


Minimum vertical space from floor to overhead shelves, cabinets, ceilings, etc., is 56".

# INSTALLATION INSTRUCTIONS

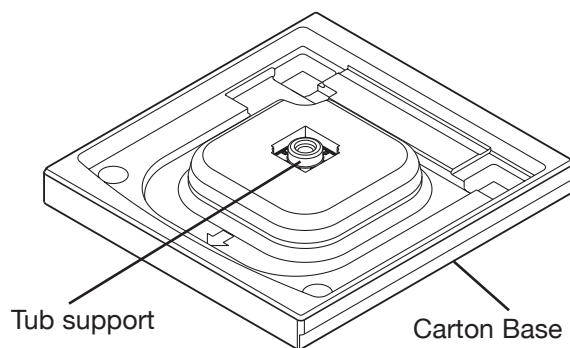
## UNPACK THE WASHER

- 1 After the washer is in the home, remove the carton and Styrofoam® shipping base from the washer.

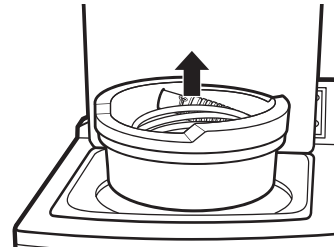


When removing the washer from the carton base, be sure to remove the tub support in the middle of the carton base.

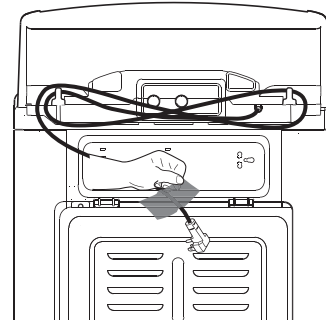
If you must lay the washer down to remove the base packaging materials, always protect the side of the washer and lay it carefully on its side. Do NOT lay the washer on its front or back.



- 2 Remove the packing block containing the owner's manual, parts, water hoses, and laundry product samples.

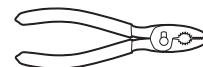


- 3 Unfasten the power cord from the back of the washer.



### TOOLS YOU WILL NEED

- Adjustable Pliers



- Carpenter's Level

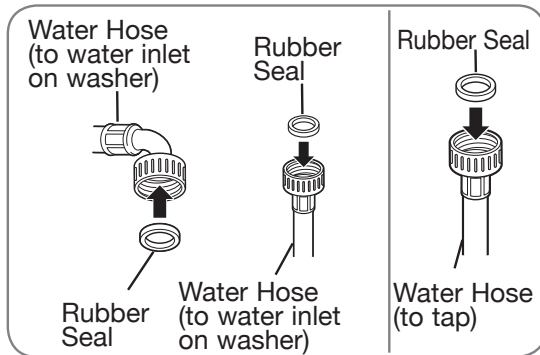


# INSTALLATION INSTRUCTIONS

## CONNECTING THE WATER LINES

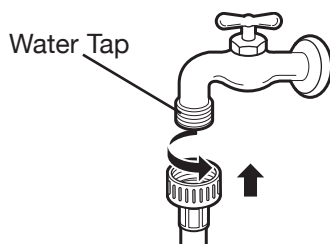
- **IMPORTANT:** Use new hoses when installing the washer. Do NOT reuse old hoses.
- **IMPORTANT:** Use ONLY the inlet hoses provided by LG with this laundry product. Aftermarket hoses are not guaranteed to fit or function correctly. Other hoses may not tighten correctly and could cause leaks. Subsequent damage to product or property will not be covered under the terms of LG's warranty.
- Water supply pressure must be between 14.5 PSI and 116 PSI (100~800 kPa). If the water supply pressure is more than 116 PSI, a pressure reducing valve must be installed.
- Periodically check the hose for cracks, leaks, and wear, and replace the hose every 5 years.
- Make sure that the water lines are not stretched, pinched, crushed, or kinked.
- The washer should never be installed or stored in a location subject to freezing temperatures. Damage to the water lines and internal mechanisms of the washer can result. If the washer was exposed to freezing temperatures prior to installation, allow it to stand at room temperature for several hours before use.

- 1 Inspect the threaded fitting on each hose and make sure there is a rubber seal in place in both ends.



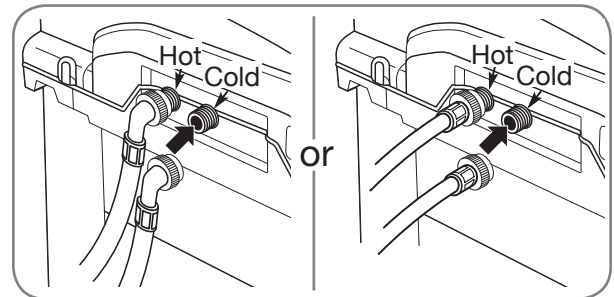
- 2 Connect water hose to hose utilities. Connect the water hoses to the HOT and COLD water valves of your home. Hand tighten, plus make an additional 1/4 turn with pliers.

**NOTE:** A water heater set to deliver 120°F (49°C) water to the washer.



**NOTE:** To avoid build up that can clog the inlet valve screen, thoroughly flush both faucet and hose to remove any particles or other impurities by running water through them into a container.

- 3 Attach water hose to washer. Thread the hot water hose onto the washer hot water connection (red) and the cold water hose onto the cold water connection (blue). Hand tighten; then make an additional 1/8 turn with pliers.

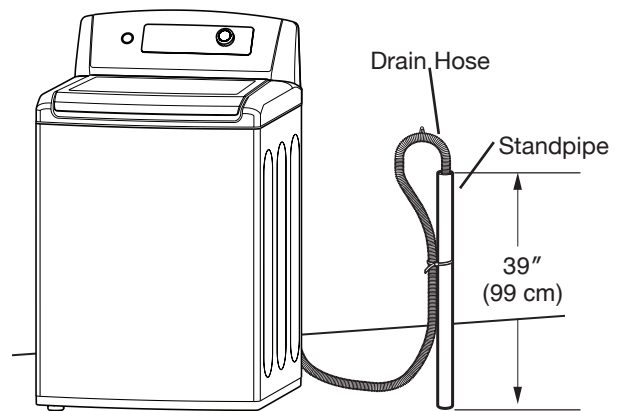


**NOTE:** Do not cross-thread the hose fittings. Attach the hot water line to the red hot water inlet on the back of the washer. Attach the cold water line to the blue cold water inlet on the back of the washer. Tighten the fittings securely.

**NOTE:** Tighten the fittings securely. Open the water taps fully to check for leaks.

## CONNECTING THE DRAIN LINE

- The drain hose should always be properly secured. Failure to properly secure the drain hose can result in flooding and property damage.
- Do not install the end of the drain hose higher than 96 inches (243.8 cm) above the bottom of the washer.
- The drain must be installed in accordance with any applicable local codes and regulations.
- Make sure that the water lines are not stretched, pinched, crushed, or kinked.



# INSTALLATION INSTRUCTIONS

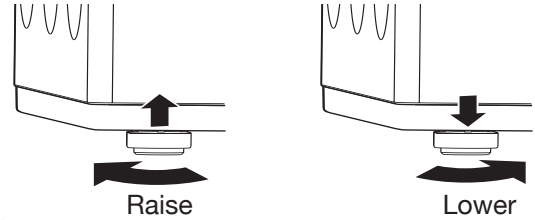
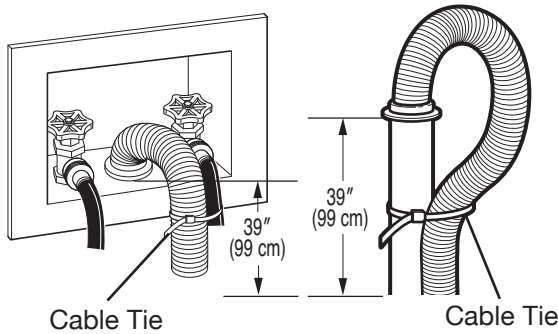
## CONNECTING THE DRAIN LINE (cont.)

Firmly insert the free end of the drain hose into the drain opening of your home. Make sure the soft rubber end is completely inside the drain opening.

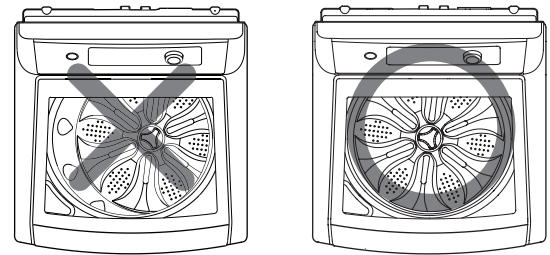
- If the water valves and drain are built into the wall, fasten the drain hose to one of the water hoses with the cable tie (ribbed side on inside).
- If your drain is a standpipe, fasten the drain hose to the standpipe with the cable tie provided.

### NOTE:

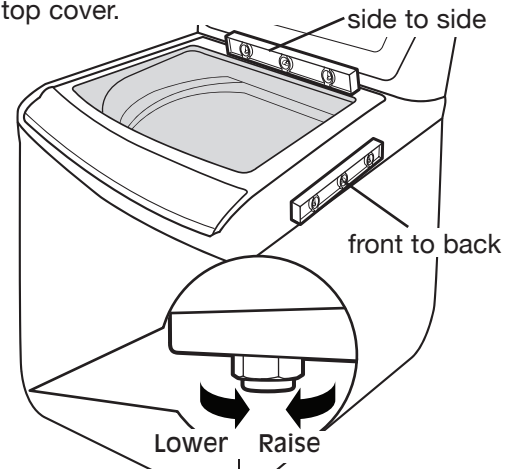
- Total height of the hose end should be approximately 35 ~ 47" (0.9 ~ 1.2 m) from the floor.
- The drain hose should be inserted no more than 8-12 inches into the standpipe.



- 2 Adjust the 2 front leveling feet. Turn clockwise to raise the washer or counterclockwise to lower it.



- 3 To make sure that the washer is properly level, open the lid and look from above to see if it is same as shown above. If you have a level, check your washer with the level.
  - To check if the washer is level side to side, close the lid and place a level at the back of the lid.
  - To check if the washer is level front to back, place a level at the side of the washer on the edge where the cabinet side meets the top cover.



## LEVELING THE WASHER

The washer spins at very high speeds, up to 1,100 RPM.

**NOTE:** Adjust the leveling feet only as far as necessary to level the washer. Extending the leveling feet more than necessary can cause the washer to vibrate.

- All four leveling feet must rest solidly on the floor. Rock the washer gently from corner to corner to make sure that the washer does not rock.

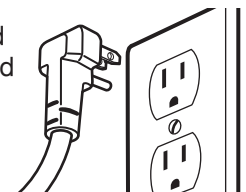
**NOTE:** Before installing the washer, make sure the floor is clean, dry and free of dust, dirt, water and oils so the washer feet can not slide easily. Leveling feet that can move or side on the floor can contribute to excess vibration and noise due to poor contact with the floor.

- 1 Position the washer in the final location, taking special care to not pinch, strain, or crush the water and drain lines. Place a level across the top of the washer.

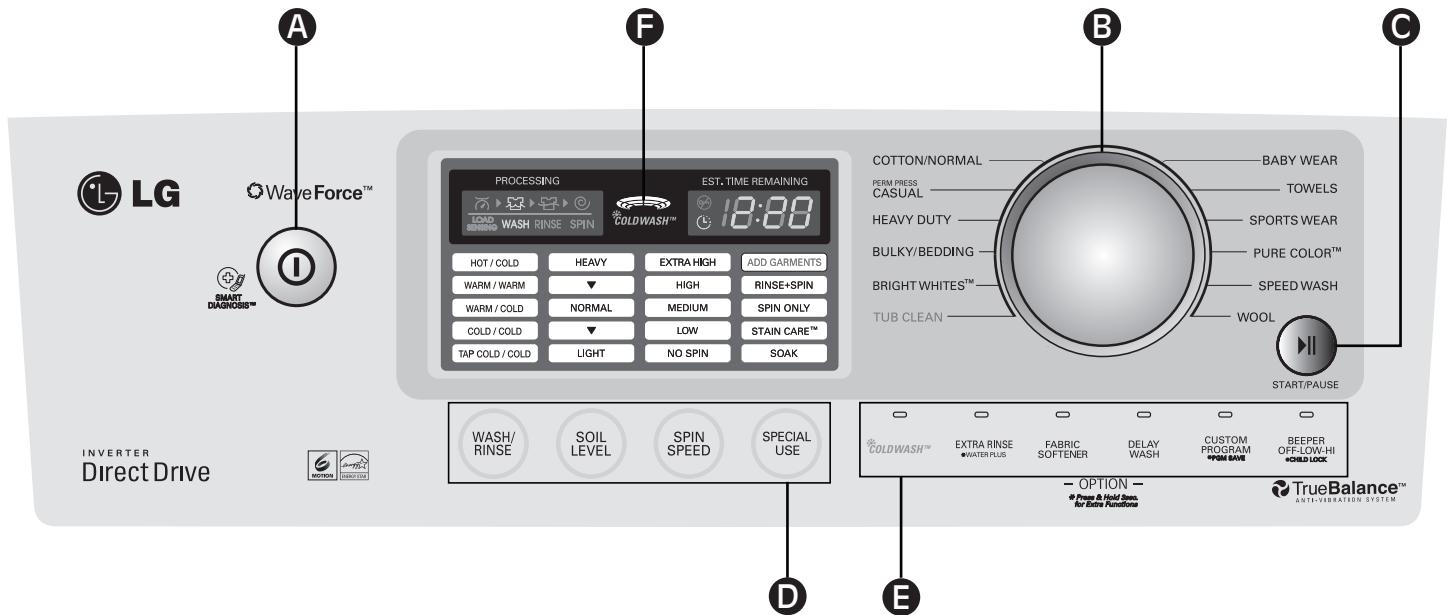
If the washer is not level, adjust the front leveling feet. Turn clockwise to raise, counterclockwise to lower.

## CONNECT TO THE POWER SUPPLY

The washer should be plugged into a 120V AC, 60Hz grounded 3-prong outlet. Plug in the washer.



## CONTROL PANEL FEATURES



### A POWER ON/OFF BUTTON

Press to turn the washer ON. Press again to turn the washer OFF.

**NOTE:** If the washer remains idle for 4 minutes after turning the washer off, the water in the tub will drain.

**NOTE:** An alarm will sound 1 minute prior to draining, and 'dr' will appear on the display. You may restart the washer at this time. However, once the washer initiates draining, all functions will be suspended, and 'dr' will be displayed until draining is complete.

### B CYCLE SELECTOR KNOB

Turn this knob to select the desired cycle. Once the desired cycle has been selected, the standard presets will be shown in the display. These settings can be adjusted using the cycle setting buttons before starting the cycle.

### C START/PAUSE BUTTON

Press this button to START the selected cycle. If the washer is running, use this button to PAUSE the cycle without losing the current settings.

**NOTE:** If you do not press the START/PAUSE button within 4 minutes of selecting a cycle, the washer automatically turns off.

**NOTE:** If the washer remains idle for 8 minutes after pausing the cycle, the water in the tub will drain.

### D CYCLE MODIFIER BUTTONS

Use these buttons to select the desired cycle options for the selected cycle. Press the button for that setting until the indicator light for the desired value is lit.

### E OPTION BUTTONS

The option buttons allow you to select additional cycle options and will light when selected. Certain buttons also allow you to activate special functions by pressing and holding the button for 3 seconds.

For detailed information about the individual options, please see the following pages.

### F LED DISPLAY

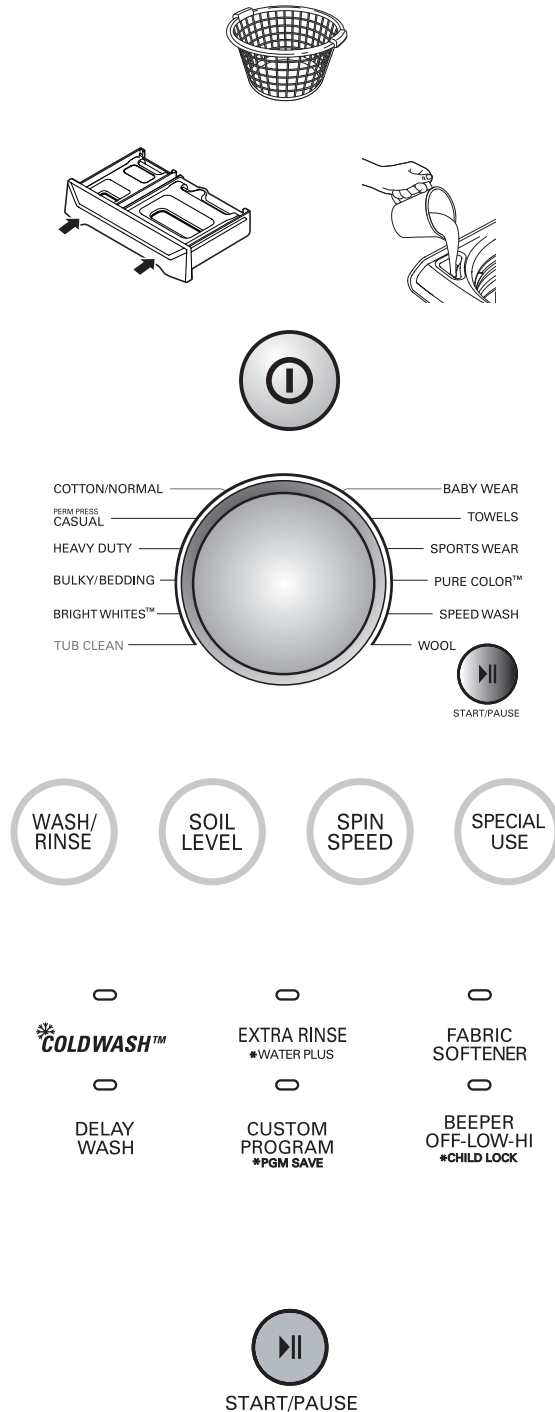
The display shows the settings, estimated time remaining, options, and status messages for your washer. The display will remain on through the cycle.

# HOW TO USE

## OPERATING THE WASHER

**⚠ WARNING:** To reduce the risk of fire, electric shock, or personal injury when using this appliance, follow basic precautions, including the following.

Once you have loaded the washer and added laundry products (detergent, bleach, and/or fabric softener):



- 1 SORT LAUNDRY AND LOAD WASHER.  
Refer to page 16.
- 2 ADD DETERGENT.  
Refer to pages 17-18.
- 3 TURN ON THE WASHER.  
Press the POWER button to turn on the washer. The lights around the cycle selector knob will illuminate.
- 4 SELECT CYCLE.  
Turn the cycle selector knob to the desired cycle. The display will show the preset WASH/RINSE temperature, SOIL LEVEL, SPIN SPEED for that cycle.
- 5 SELECT CYCLE MODIFIER BUTTONS.  
If you would like to change the modifier for that cycle, press the appropriate cycle settings button(s) until the indicator light for the desired setting is lit.  
**NOTE:** To protect your garments, not every WASH/RINSE temperature, SPIN SPEED, SOIL LEVEL, or OPTION is available with every cycle.
- 6 SELECT OPTION BUTTONS.  
Select any additional cycle options, such as FABRIC SOFTENER or DELAY WASH.  
**NOTE:** To protect your garments, not every WASH/RINSE temperature, SPIN SPEED, SOIL LEVEL, or OPTION is available with every cycle.
- 7 BEGIN CYCLE.  
Press the START/PAUSE button to begin the cycle. The lid will latch, the display will change, and the washer will calculate the estimated time remaining. Once the washer has calculated the estimated total cycle time, the washer will start. To pause the cycle at any time, press PAUSE. To resume the cycle press START/PAUSE again.

**NOTE:** When the wash cycle is finished, the beeper (if set) will sound and the lid will unlock.

To prevent wrinkling, remove items from the washer immediately after the end of the cycle.

**NOTE:** WAVEFORCE™ is available for 8 lb. or larger loads in the COTTON/NORMAL or HEAVY DUTY cycles.

# HOW TO USE

## CYCLE GUIDE

The cycle guide below shows the options and recommended fabric types for each cycle.  =Default setting

Cycle	Fabric Type	Wash/Rinse	Soil Level	Spin Speed	Stain Care™	Cold Wash™	Extra Rinse	Fabric Softener	Delay Wash
Tub Clean	Refer to page 24.			High					<input type="radio"/>
Bright Whites™	White fabrics	Hot/Cold	Heavy	Medium					
		Tap Cold/Cold Cold/Cold Warm/Cold Warm/Warm	Light Normal	High Extra High No Spin Low		<input type="radio"/>	<input type="radio"/>	<input type="radio"/>	<input type="radio"/>
Bulky/Bedding	Large items such as blankets and comforters	Warm/Cold	Normal	Medium					
		Warm/Warm Hot/Cold Tap Cold/Cold Cold/Cold	Heavy Light	High Extra High No Spin Low		<input type="radio"/>	<input type="radio"/>	<input type="radio"/>	<input type="radio"/>
* Use the Bulky/Bedding cycle for items such as pillows, comforters and other articles which have difficulty absorbing water. ONLY WASH SMALL LOADS to make sure there is plenty of room for the load to move during washing. Keep like items together; do not mix large bulky items with smaller clothing items. Failure to follow these instructions may result in damage to the clothing or to the washer.									
Heavy Duty	Heavy soiled cotton fabrics	Warm/Cold	Heavy	High					
		Warm/Warm Hot/Cold Tap Cold/Cold Cold/Cold	Light Normal	Extra High No Spin Low Medium	<input type="radio"/>	<input type="radio"/>	<input type="radio"/>	<input type="radio"/>	<input type="radio"/>
Perm Press Casual	Dress shirts/pants, wrinkle-free clothing, poly/cotton blend clothing, tablecloths	Warm/Cold	Normal	Low					
		Warm/Warm Tap Cold/Cold Cold/Cold	Heavy Light	Medium High No Spin		<input type="radio"/>	<input type="radio"/>	<input type="radio"/>	<input type="radio"/>
Cotton/Normal	Cotton, linen, towels, shirts, sheets, jeans, mixed loads	Warm/Cold	Normal	High					
		Hot/Cold Warm/Warm Tap Cold/Cold Cold/Cold	Heavy Light	Extra High No Spin Medium	<input type="radio"/>	<input type="radio"/>	<input type="radio"/>	<input type="radio"/>	<input type="radio"/>
Baby Wear	Small and lightly soiled loads, specially skin sensitive user.	Warm/Warm	Light	High					
		Hot/Cold Warm/Cold	Normal Heavy	Extra High No Spin Low Medium		<input type="radio"/>	<input type="radio"/>	<input type="radio"/>	<input type="radio"/>
Towels	Towels, shirts, sheets, jeans, mixed loads	Warm/Cold	Normal	High					
		Warm/Warm Hot/Cold Tap Cold/Cold Cold/Cold	Heavy Light	Extra High No Spin Low Medium	<input type="radio"/>	<input type="radio"/>	<input type="radio"/>	<input type="radio"/>	<input type="radio"/>
Sports Wear	Active sports, exercise clothing	Warm/Cold	Normal	Medium					
		Warm/Warm Tap Cold/Cold Cold/Cold	Heavy Light	High No Spin Low		<input type="radio"/>	<input type="radio"/>	<input type="radio"/>	<input type="radio"/>
Pure Color™	Lightly soiled and colored clothing	Cold/Cold	Normal	Medium					
		Warm/Cold Warm/Warm Tap Cold/Cold	Heavy Light	High Extra High No Spin Low		<input type="radio"/>	<input type="radio"/>	<input type="radio"/>	<input type="radio"/>
Speed Wash	Lightly soiled and small loads	Warm/Warm	Light	High					
		Tap Cold/Cold Cold/Cold Warm/Cold	Normal Heavy	Extra High No Spin Low Medium		<input type="radio"/>	<input type="radio"/>	<input type="radio"/>	<input type="radio"/>
Wool	Item labeled machine washable wool (less than 8 lbs.)	Warm/Cold	Light	Low					
		Tap Cold/Cold Cold/Cold	Normal Heavy	Medium No Spin		<input type="radio"/>	<input type="radio"/>	<input type="radio"/>	<input type="radio"/>

**NOTE:** To protect your garments, not every wash/rinse temperature, spin speed, soil level, or option is available with every cycle.

# HOW TO USE

## SORTING WASH LOADS













### ⚠ CAUTION:

- **Do not load items over the tub.**  
Failure to follow this caution can result in leakage or fabrics damage.
- **Use the BULKY/BEDDING cycle for buoyant or nonabsorbent items such as pillow or comforter.**  
Failure to follow this caution can result in leakage. **Do not wash or spin any item labeled or known to be water-proof or water-resistant, even if the product care label on the item permits machine washing.** Failure to follow these instructions could result in bodily injury, severe damage to your laundry, your washer and/or property damage as a result of abnormal vibration of the washer.  
- Examples of water-proof or water-resistant items include certain mattress pads, mattress covers, rain gear, camping gear, skiing apparel, outdoor gear and similar items.

### Fabric Care Labels

Most articles of clothing feature fabric care labels that include instructions for proper care.

**Fabric Care Labels**

Machine wash cycle			
	Normal	Permanent press/ wrinkle resistant	Gentle/ delicate
Water temperature			
	Hand wash	Do not wash	Do not wring
			
	Hot	Warm	Cold/cool
Bleach symbols			
	Any bleach (when needed)	Only non-chlorine bleach (when needed)	Do not bleach

### Grouping Similar Items

For best results, sort clothes into loads that can be washed with the same wash cycle.

Different fabrics have different care requirements.

Always wash dark colors separately from light colors and whites to prevent discoloration. If possible, do not wash heavily soiled items with lightly soiled ones. The chart below shows recommended groupings.

### Sort Laundry...

by Colors	by Soil	by Fabric	by Lint
Whites	Heavy	Delicates	Lint Producer
Lights	Normal	Easy Care	Lint Collector
Darks	Light	Sturdy	

### Loading the Washer



Bulky items should be placed as far down in the wash basket as possible for optimal results. Always place buoyant items at the bottom of the wash basket.

The washer will automatically detect the load size. Because of the high-efficiency wash system, the water level may not completely cover the load. To add items after washer has started, press the START/PAUSE button, lift the lid, add items, and close the lid. Press the START/PAUSE button. Refer to page 20.

- **Check all pockets to make sure that they are empty. Items such as clips, matches, pens, coins, and keys can damage both your washer and your clothes.**
- Close zippers, hooks, and drawstrings to prevent these items from snagging or tangling on other clothes.
- Pretreat heavily stained areas for best results.
- Large items should not be more than half of the total wash load.
- Do not wash fabrics containing flammable materials (waxes, cleaning fluids, etc.)
- The washer will not fill or operate with the lid open.
- \* **IMPORTANT:** Use the Bulky/Bedding cycle for large or bulky items such as poly-filled jackets, comforters, pillows, etc. These items may not be as absorbent as other laundry items and should be sorted into a separate wash load for optimal results.



## SELECTING DETERGENT

**IMPORTANT:** Your washing machine is designed for use with **only** High-Efficiency (HE) detergents, which contain suds-reducing agents. Always look for the HE symbol when purchasing detergent.

HE detergents produce fewer suds, dissolve more efficiently to improve washing and rinsing performance, and help to keep the interior of your washer clean.

Using a regular detergent may cause over sudsing and unsatisfactory performance and could damage the machine or cause expensive maintenance issues.

**IMPORTANT:** Do not place or store laundry products, such as detergent, bleach, or liquid fabric softener, on top of your washer or dryer. Wipe up any spills immediately. These products can damage the finish and controls.



Designed especially to use only HE (High-Efficiency) detergent

## ABOUT THE DISPENSER

The automatic dispenser consists of two compartments which hold:

- Liquid fabric softener.
- Liquid or powdered detergent.

All laundry products can be added at once in their respective dispenser compartments. They will be dispensed at the appropriate time for the most effective cleaning.

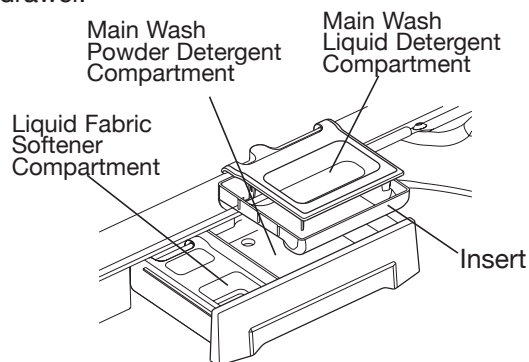
After adding the laundry products to the dispenser, close the dispenser drawer.

To add detergent, and fabric softener to the automatic dispenser:

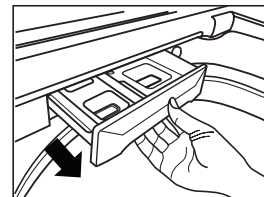
- 1 Open the dispenser drawer.
- 2 Load the laundry products into the appropriate compartments.
- 3 Close the drawer slowly and smoothly to avoid spilling, splashing or premature dispensing of the contents.

**NOTE:** It is normal for a small amount of water to remain in the dispenser compartments at the end of the cycle.

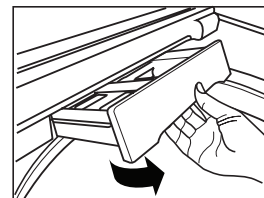
**NOTE:** Do not use bleach in the dispenser drawer.



### Removing the dispenser drawer

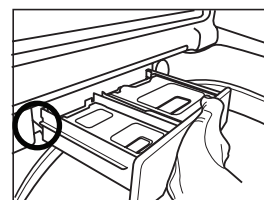


- 1 Pull the dispenser drawer.

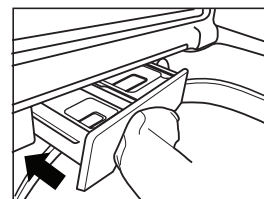
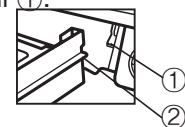


- 2 Tilt the dispenser drawer upward and remove it.

### Replacing the dispenser drawer



- 1 Place rail ② (dispenser drawer rail) on top of rail ①.



- 2 Push the dispenser drawer firmly.

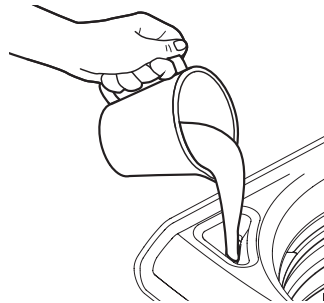
**NOTE:** Be careful not to pinch your finger.

# HOW TO USE

## LOADING THE DISPENSER

### Using the Liquid Bleach Dispenser

The bleach dispenser automatically dilutes and dispenses liquid chlorine bleach at the proper time in the wash cycle.



- 1 Check clothing care labels for special instructions.
- 2 Measure liquid bleach carefully, following instructions on the bottle.
  - Never pour undiluted liquid chlorine bleach directly onto clothes or into the wash basket.
  - Do not pour powdered bleach into bleach dispenser. Do not place load items on top of the bleach dispenser when loading and unloading the washer.
  - Avoid overfilling or splashing when adding bleach to the dispenser. The maximum capacity of the bleach dispenser is one cup of bleach per wash cycle. Overfilling could result in premature dispensing of bleach.
- 3 Before starting the washer, pour a pre-measured amount of bleach directly into bleach dispenser. If you prefer to use powdered bleach, add it into the wash basket directly before adding clothes.

**NOTE:** Please flush the bleach dispenser with water after bleach use and then rinse out the residue by use of Rinse & Spin cycle.

**⚠ WARNING:** Do NOT mix chlorine bleach with ammonia or acids, such as vinegar or rust / scale remover. Mixing chemicals like these can produce gas which may cause death.

Put the manufacturer's recommended amount of undiluted liquid chlorine bleach into the bleach dispenser. During the final portion of the wash cycle, two sequential flushes of the dispenser put all the bleach into the wash load and completely flush the dispenser to eliminate the carryover of bleach to a subsequent load. Any liquid remaining in the bleach dispenser at the end of the cycle is water, not bleach.

To prevent unintentional self-siphoning of the bleach, never fill the dispenser higher than the maximum fill level marked on the dispenser. When adding bleach to the dispenser, be careful to avoid spilling it into the laundry load or leaving droplets of bleach around the dispenser. These things will damage your laundry items.

### Main Wash Detergent Compartment

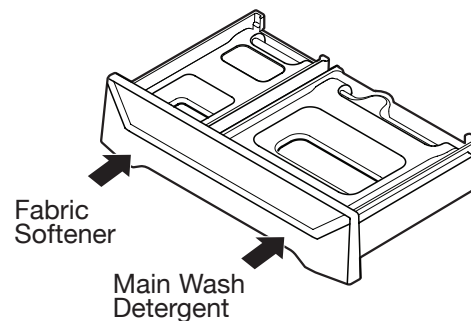
This compartment holds laundry detergent for the main wash cycle, which is added to the load at the beginning of the cycle. Always use HE (High-Efficiency) detergent with your washing machine.

Never exceed the detergent manufacturer's recommendations when adding detergent.

Using too much detergent can result in detergent buildup in clothing and the washer.

Either powdered or liquid detergent may be used.

- When using liquid detergent, make sure the liquid detergent cup and insert are in place. Do not exceed the maximum fill line.
- When using powdered detergent, remove the insert and liquid detergent cup from the compartment. Powdered detergent will not dispense with the liquid detergent cup and insert in place.



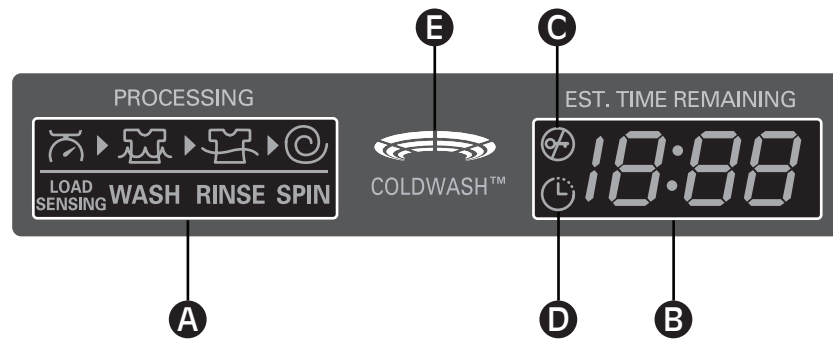
### Fabric Softener Compartment

This compartment holds liquid fabric softener, which will be automatically dispensed during the final rinse cycle.

- Always follow the detergent manufacturer's recommendations when adding fabric softener. Do not exceed the maximum fill line. Using too much fabric softener may result in stained clothes.
- Dilute concentrated fabric softeners with warm water. Do not exceed the maximum fill line.
- Never pour fabric softener directly onto the load or into the drum.

## THE LED DISPLAY

The LED display shows the settings, estimated time remaining, options, and status messages for your washer. When the washer is turned on, the display will illuminate.



### **A** CYCLE STATUS INDICATOR

This portion of the display shows which stage of the wash cycle is currently underway (LOAD SENSING, WASH, RINSE, or SPIN).

### **B** ESTIMATED TIME REMAINING

When the START/PAUSE button is pressed, the washer automatically detects the wash load (weight) and optimizes the washing time based on the selected cycle and options. The display will then indicate the estimated time remaining for the selected wash cycle.

### **C** LID LOCK INDICATOR

Indicates that the lid is locked. The washer lid will lock while the washer is operating. The lid can be unlocked by pressing the START/PAUSE button to stop the washer.

### **D** DELAY WASH INDICATOR

This indicator shows that the washer has been set for DELAY WASH. The washer will start automatically after the set delay time has passed.

### **E** COLDWASH™

This indicator turns on the light in 10 cycles. These cycles save energy by using cold water.

# HOW TO USE

## CYCLE MODIFIER BUTTONS

Each cycle has preset settings that are selected automatically. You may also customize the settings using the cycle setting buttons. Press the button for that setting until the indicator light for the desired value is lit.

The washer automatically adjusts the water level for the type and size of wash load for best results and maximum efficiency. It may seem there is no water inside the tub in some cycles, but this is normal.

**NOTE:** To protect your garments, not every wash/rinse temperature, spin speed, soil level, or option is available with every cycle. A beeper will sound and the LED will not light if a selection is not allowed. See the Cycle Guide on page 15 for details.

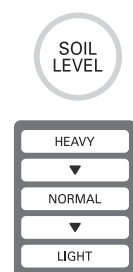
### WASH/RINSE



Adjust to select the proper water temperature for the wash cycle. It is composed of washing temperature/rinsing temperature.

- Select the water temperature suitable for the type of load you are washing. Follow the fabric care label for best results.
- Warm rinses leave the loads drier than cold rinses. Warm rinses can increase wrinkling.
- In cold climates, a warm rinse makes the load more comfortable to handle.
- Cold rinses use less energy.
- Use both hot and cold water supply for optimal results.

### SOIL LEVEL



Adjusts the selected cycle to allow more faster agitation speed for heavily soiled clothes or less slower agitation speed for lightly soiled clothes during the wash and rinse course.

Press the SOIL LEVEL button until the indicator light for the desired setting is lit. You can choose between Light, Normal or Heavy soil.

- The light will not show on this figure (▼).

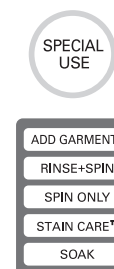
### SPIN SPEED



The washer drum spins at up to 1,100 RPM. This reduces drying time and saves energy. Press the SPIN SPEED button until the indicator light for the desired setting is lit. You can change maximum spin speed of spin cycle. Some fabrics, such as delicates, require a slower spin speed.

- If you select NO SPIN, the washer turn off without spin cycle after draining. (The cycle time will be reduced by approximately 10 minutes.)

### SPECIAL USE



Select any additional option, such as RINSE+SPIN, SPIN ONLY, STAIN CARE™ or SOAK

- If you press SPECIAL USE button without selecting a cycle, COTTON/NORMAL cycle with SOAK is automatically selected.

**NOTE:** If you press SPECIAL USE button 3 or 4 times, the cycle will reset to COTTON/NORMAL.

### ADD GARMENTS

Laundry may be added to the load at the proper time in the wash cycle.

- ADD GARMENTS is automatically turned on and off. You can not select it by pressing SPECIAL USE button.
- If additional items are added during ADD GARMENTS light is off, it may cause unsatisfactory performance.

During ADD GARMENTS indicator light on.

- 1 Press START/PAUSE button to pause the washer.
- 2 Open the lid after unlocked.
- 3 Add your additional items.
- 4 Close the lid.
- 5 Press START/PAUSE button to resume the washer cycle. The washer will start automatically.

**NOTE:** If the washer remains idle for 8 minutes after pausing the cycle, the water in the tub will drain.

## CYCLE MODIFIER BUTTONS (cont.)

### RINSE + SPIN

Select this option to rinse and spin a load separately from a regular cycle. This can be helpful in preventing fresh stains from setting in fabrics.

- You can change rinse temperature and spin speed by pressing WASH/RINSE and SPIN SPEED respectively.
- 1 Press the POWER button to turn on the washer.
  - 2 Press the SPECIAL USE button until the RINSE+SPIN indicator light is lit. (The cycle light will turn off.)
  - 3 Press the START/PAUSE button to start the cycle. The washer will start automatically.

### SPIN ONLY

This button activates the Drain & Spin cycle to drain and spin.

- 1 Press the Power button to turn on the washer.
- 2 Press the SPECIAL USE button until the SPIN ONLY indicator light is lit.
- 3 Press the START/PAUSE button to start the cycle. The washer will start automatically.

### STAIN CARE™

STAIN CARE™ may be selected as an option with HEAVY DUTY, COTTON/NORMAL and TOWELS cycles.

- Wash only small loads for optimum fabric care. (less than 8 lbs.)
- 1 Press the POWER button to turn on the washer.
  - 2 Press the SPECIAL USE button until the STAIN CARE™ indicator light is lit.
  - 3 Press the START/PAUSE button to start the cycle. The washer will start automatically.

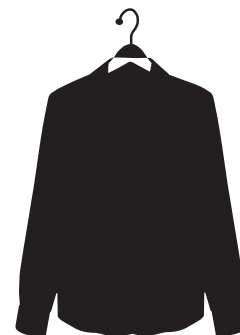
**NOTE:** If you select STAIN CARE™, the COLDWASH™ option is not available.

### SOAK

Allows the consumer to remove stains more thoroughly by specifying additional time for the clothing to soak during washing. At the end of SOAK, the wash cycle will be started without drain.

- Cycle time will be increased by 30 minutes.
- It is normal that washer do weak agitation during SOAK cycle.

**NOTE:** You cannot select the SOAK option in the TUB CLEAN cycle.



# HOW TO USE

## CYCLE OPTION BUTTONS

Your washing machine features several additional cycle options to customize cycles to meet your individual needs. Certain option buttons also feature a special function that can be activated by pressing and holding that option button for 3 seconds.

**NOTE:** To protect your garments, not every wash/rinse temperature, spin speed, soil level, or option is available with every cycle. See the Cycle Guide for details.

### EXTRA RINSE

EXTRA RINSE  
\*WATER PLUS

This option will add an extra rinse cycle to the selected cycle. Use this option to help ensure the removal of detergent or bleach residue from

fabrics. Pressing the EXTRA RINSE button twice will add two additional rinses to the cycle.

- 1 Press the POWER button to turn on the washer.
- 2 Turn the cycle selector knob to select the desired cycle.
- 3 Press the CYCLE MODIFIER buttons to change the desired settings.
- 4 Press the EXTRA RINSE.
  - If you want to delete extra rinse, press the EXTRA RINSE three times.
- 5 Press the START/PAUSE button to start the cycle.

**NOTE:** You cannot select the EXTRA RINSE option while the spin cycle.

### WATER PLUS

EXTRA RINSE  
\*WATER PLUS

Select this option to add extra water to the wash and rinse cycles for superior results, especially with large or bulky items.

Press and hold the EXTRA RINSE button for 3 seconds to activate or deactivate WATER PLUS.

- 1 Press the START/PAUSE button during wash or rinse cycle.(It is not available in spin cycle)
- 2 Press and hold the EXTRA RINSE.
- 3 Press the START/PAUSE button to start the cycle.
- 4 If you want to use additional water, repeat steps 1 through 3.

**NOTE:** If the machine reaches its maximum water level, the WATER PLUS button will have no effect.

**NOTE:** You cannot select the WATER PLUS option in the TUB CLEAN, and BULKY/BEDDING cycle.

### COLDWASH™

\*COLDWASH™

Use this option to eliminate using the built-in water heater booster. For maximum efficiency, wash only small loads. (less than 8 lbs.)

**NOTE:** If you select STAIN CARE™, the COLDWASH™ option is not available.

- 1 Press the POWER button to turn on the washer.
- 2 Turn the cycle selector knob to select the cycle. (Refer to page 15.)
- 3 Press the COLDWASH™ button.
- 4 Press the START/PAUSE button to start the cycle. The washer will start automatically.

### FABRIC SOFTENER

FABRIC SOFTENER

The fabric softener is dispensed in the final rinse. Select FABRIC SOFTENER button to change final rinse type from spray rinse to deep rinse.

**NOTE:** LG recommends using FABRIC SOFTENER or EXTRA RINSE options when selecting the COTTON/NORMAL or HEAVY DUTY cycles.

**NOTE:** If you select EXTRA RINSE instead of FABRIC SOFTENER, the fabric softener will be dispensed during the extra rinse course.

### DELAY WASH

DELAY WASH

Once you have selected the cycle and other settings, press this button to delay the start of the wash cycle. Each press of the button increase the delay time, up to 19 hours.

## CYCLE OPTION BUTTONS (cont.)

### CUSTOM PROGRAM

CUSTOM PROGRAM  
\*PGM SAVE

CUSTOM PROGRAM allows you to store a customized wash cycle for future use. It allows you to save favorite temperature, spin speed, soil level, and other options for a cycle, and then recall them at the touch of a button.

**NOTE:** You may only save one custom program at a time. Pressing and holding the CUSTOM PROGRAM button will overwrite any previously saved custom program.

#### To save a custom program:

- 1 Press the POWER button to turn on the washer.
- 2 Turn the Cycle Selector Knob to select the desired cycle.
- 3 Press the Cycle Modifier button to change the desired setting.
- 4 Press the Cycle Option button to add the desired options.
- 5 Press and hold the CUSTOM PROGRAM button for 3 seconds.

#### To recall a custom program:

- 1 Press the POWER button to turn on the washer.
- 2 Press the CUSTOM PROGRAM button. The stored settings will be displayed.
- 3 Press the START/PAUSE button to start the cycle. (If you press any other button, CUSTOM PROGRAM is automatically deselected and indicator light off.)

### BEEPER

BEEPER  
OFF-LOW-HI  
\*CHILD LOCK

Adjusts the volume of the end-of-cycle beeper or turns it off.

### CHILD LOCK

BEEPER  
OFF-LOW-HI  
\*CHILD LOCK

Use this option to prevent unwanted use of the washer or to keep cycle settings from being changed while the washer is operating. Press and hold the BEEPER button for 3 seconds to activate or deactivate CHILD LOCK.

The washer can be locked during a cycle. Once CHILD LOCK is selected, the display will alternate between CL and the remaining cycle time. And all controls except CHILD LOCK and POWER buttons will be disabled.

**NOTE:** CHILD LOCK lasts after the end of cycle. If you want to deactivate this function, press and hold the BEEPER button for 3 seconds.

# CARE AND CLEANING

## REGULAR CLEANING

### **⚠️ WARNING:**

- **Unplug the washer before cleaning to avoid the risk of electric shock.** Failure to follow this warning can cause serious injury, fire, electrical shock, or death.
- **Never use harsh chemicals, abrasive cleaners, or solvents to clean the washer.** They will damage the finish.

### **Cleaning the Exterior**

Proper care of your washer can extend its life. The outside of the machine can be cleaned with warm water and a mild, nonabrasive household detergent.

Immediately wipe off any spills with a soft, damp cloth.

**IMPORTANT:** Do not use methylated spirits, solvents, or similar products.

Never use steel wool or abrasive cleansers; they can damage the surface.

### **Care and Cleaning of the Interior**

Use a towel or soft cloth to wipe around the washer lid opening, and lid glass.

Always remove items from the washer as soon as the cycle is completed. Leaving damp items in the washer can cause wrinkling, color transfer, and odor.

This washer has a special cycle, TUB CLEAN, to remove inside buildup of detergent residue which can occur in the wash tub or drum and lead to mildew or musty smell.

Run the TUB CLEAN cycle monthly to remove detergent buildup and other residue.

### **Read these instructions carefully before beginning the TUB CLEAN cycle.**

- 1 Open the lid and remove any clothing in the wash drum.
- 2 Open the dispenser drawer.
- 3 Add liquid chlorine bleach or tub cleaner. Some powdered or tablet tub cleaners which are manufactured for this purpose can be used.  
**(NOTE:** Do not add any laundry detergent or fabric softener to the drawer when using TUB CLEAN.)
  - **If using powder cleaner**  
Remove the liquid detergent cup and add powder cleaner to the main wash compartment of the drawer.
  - **If using tablet cleaner**  
Add tablet cleaner to the wash drum directly.  
**(NOTE:** Do not add tablet cleaner to the drawer.)
- 4 Close the drawer and washer lid.
- 5 Select TUB CLEAN and press START/PAUSE.

**NOTE :** It is recommended that TUB CLEAN should be repeated monthly.

If mildew or smell already exists, run TUB CLEAN for 3 consecutive weeks.

After TUB CLEAN is complete or when the washer is not used, leave the washer lid open for better ventilation and drying inside of the washer.



# CARE AND CLEANING

## REGULAR CLEANING (cont.)

### Storing the Washer

If the washer will not be used for an extended period of time and is in an area that could be exposed to freezing temperatures:

- 1 Turn off water supply tap.
- 2 Disconnect hoses from water supply and drain water from hoses.
- 3 Plug the power cord into a properly grounded electrical outlet.
- 4 Add 1 gallon of nontoxic recreational vehicle (RV) antifreeze to the empty wash drum. Close the lid.
- 5 Select the spin cycle and let washer spin for 1 minute to drain out all the water.  
**NOTE:** Not all of the RV antifreeze will be expelled.
- 6 Unplug the power cord, dry the drum interior with a soft cloth, and close the lid.
- 7 Remove the inserts from the dispenser. Drain any water in compartments and dry the compartments.
- 8 Store the washer in an upright position.
- 9 To remove the antifreeze from the washer after storage, run washer through a complete cycle using detergent. **Do not add laundry!**

### Removing Lime Buildup

If you live in an area with hard water, lime scale can form on internal components of the washer. Use of a water softener is recommended in areas with hard water. If a descaler is used, make sure that it is suitable for use in a washer, and run the TUB CLEAN cycle before washing clothing.

Lime scale and other spots may be removed from the stainless steel drum using a stainless steel cleaner. Do NOT use steel wool or abrasive cleansers; they can damage the surface.

### Leave the Lid Open

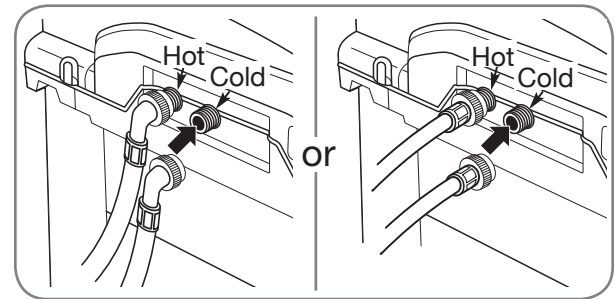
Leave the lid open after finishing laundry to keep the tub clean.

## MAINTENANCE

### Cleaning the Water Inlet Filters

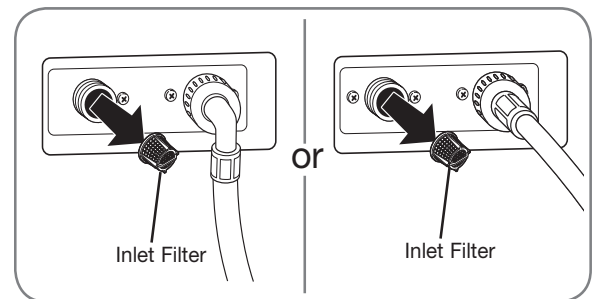
If the washer detects that water is not entering the dispenser, an error message will show on the display. If you live in an area with hard water, this may be caused by clogged inlet filters.

**IMPORTANT:** Use extreme care when removing and cleaning the filters. If the filters cannot be cleaned or are damaged, do NOT operate the washer without the inlet filters. Contact LG Customer Service or a qualified LG servicer.



Turn off both water taps completely. Unscrew the hot and cold water lines from the back of the washer.

**IMPORTANT:** Use ONLY the inlet hoses provided by LG with this laundry product. Aftermarket hoses are not guaranteed to fit or function correctly. Other hoses may not tighten correctly and could cause leaks. Subsequent damage to product or property will not be covered under the terms of LG's warranty.



Carefully remove the filters from the water inlets, and soak them in white vinegar or a lime scale remover. Rinse thoroughly before reinstalling. Press the filters back into place and reattach the water lines. Do NOT operate the washer without the inlet filters.

# CARE AND CLEANING

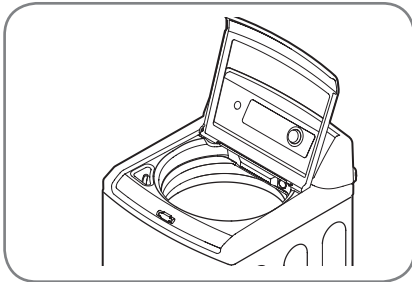
## CLEANING THE WASHER

### Proper Use of Detergent

Using too much detergent is a common cause of laundry problems. Today's detergents are formulated to be effective without visible sudsing. Be sure to carefully read and follow manufacturer's recommendations for how much detergent to use in your wash.

You can use less detergent if you have soft water, a smaller load, or a lightly soiled load.

**NOTE:** Use only low-sudsing, high-efficiency detergent such as Tide® HE.



### Care and Cleaning of the Washer

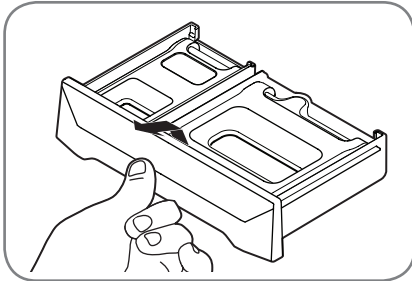
**Lid:** Wash with a damp cloth on the outside and inside and dry with a soft cloth.

**Exterior:** Immediately wipe off any spills. Wipe with damp cloth. Do not touch the surface or the display with sharp objects.

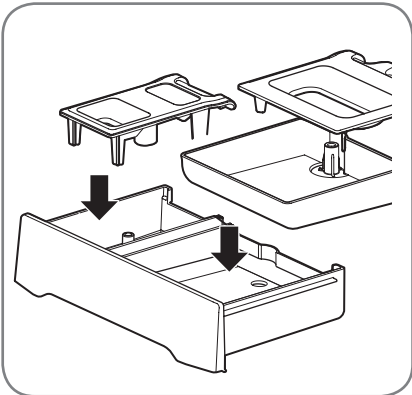
**Moving and Storage:** Ask the service technician to remove water from drain pump and hoses. Do not store the washer where it will be exposed to the weather.

**Long Vacations:** Be sure water supply is shut off at faucets. Drain all water from hoses if weather will be below freezing.

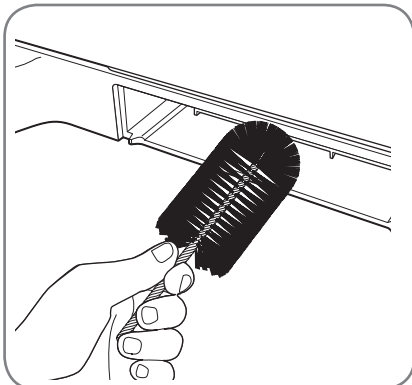
**Dispenser Drawer:** Detergent and fabric softener may build up in the dispenser drawer. Residue should be removed once or twice a month.



**1** Remove the drawer by pulling it straight out until it stops. Lift up on the front of the drawer and pull it out.



**2** Remove the inserts from the 2 compartments; rinse the inserts and the drawer with warm water to remove traces of accumulated laundry products.



**3** To clean the drawer opening, use a small, non-metal brush to clean the recess. Remove all residue from the upper and lower parts of the recess.

**4** Return the inserts to the proper compartments and replace the drawer.

# TROUBLESHOOTING

## NORMAL SOUNDS YOU MAY HEAR

The following sounds may be heard while the washer is operating. They are normal.

### Clicking:

- Lid lock relay when the lid locks and unlocks.
- The washer will make a series of clicking noises as it changes the cleaning mode.

### High pitched noise:

The wash basket spins faster to remove moisture from the load.

### Spraying or hissing:

Water spraying or circulating during the cycle.

### Humming or gurgling:

Drain pump pumping water from the washer at the end of a cycle.

### Water sloshing sound:


A liquid in the balance ring around the wash basket helps the basket spin smoothly. (Washer is turned off and tub is rotated.)

### Sound of water being added after the washer has already been operating:

- The washer adapts to the load size and type to add more water to the cycle as needed.
- The wash load may be unbalanced. If the washer senses that the load is unbalanced, it will stop and refill to redistribute the load.
- The washer may be diluting laundry additives to add to the wash load.

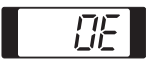



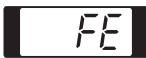
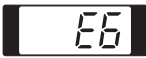
## BEFORE CALLING FOR SERVICE

Your washing machine is equipped with an automatic error-monitoring system to detect and diagnose problems at an early stage. If your washer does not function properly or does not function at all, check the following before you call for service.

Problem	Possible Causes	Solutions
<b>Rattling and clanking noise</b>	<ul style="list-style-type: none"> <li>• Foreign objects, such as keys, coins, or safety pins, may be in drum or pump.</li> </ul>	<ul style="list-style-type: none"> <li>• Stop washer and check drum for foreign objects. If noise continues after the washer is restarted, call for service.</li> </ul>
<b>Thumping sound</b>	<ul style="list-style-type: none"> <li>• Heavy wash loads may produce a thumping sound.</li> <li>• Washer load may be out of balance.</li> </ul>	<ul style="list-style-type: none"> <li>• This is normal. If sound continues, the washer is probably out of balance. Stop and redistribute the wash load.</li> <li>• Stop and redistribute the wash load.</li> </ul>
<b>Vibrating noise</b>	<ul style="list-style-type: none"> <li>• Wash load may be unevenly distributed in the drum.</li> <li>• Not all leveling feet are resting firmly on the floor.</li> <li>• Floor not rigid enough.</li> </ul>	<ul style="list-style-type: none"> <li>• Stop washer and rearrange the wash load.</li> <li>• Adjust the leveling feet. Make sure all four feet are in firm contact with the floor while the washer is in the spin cycle with a load.</li> <li>• Make sure that the floor is solid and does not flex. Refer to Flooring in the <i>Installation</i> section.</li> </ul>
<b>Water leaking around washer</b>	<ul style="list-style-type: none"> <li>• Fill hose connection is loose at tap or washer.</li> <li>• House drain pipes are clogged.</li> <li>• Large items such as pillow and blanket over the tub.</li> </ul>	<ul style="list-style-type: none"> <li>• Check hoses. Check and tighten hose connections.</li> <li>• Unclog drain pipe. Contact a plumber if necessary.</li> <li>• Check the cycle. If you wash large items, use BULKY/BEDDING cycle.</li> <li>• Stop washer and check the load position. Lay bulky items into the tub.</li> </ul>
<b>Excessive sudsing</b>	<ul style="list-style-type: none"> <li>• Too much detergent or incorrect detergent.</li> </ul>	<ul style="list-style-type: none"> <li>• Reduce detergent amount or use low-sudsing detergent.</li> </ul> <p> Only use detergent with the HE (High-Efficiency) logo.</p>




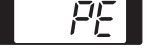
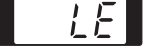
# TROUBLESHOOTING

## BEFORE CALLING FOR SERVICE (cont.)

Problem	Possible Causes	Solutions
<p>Water in the washer drains slowly or not at all, or the display shows:</p> 	<ul style="list-style-type: none"> <li>• Drain hose is bent, pinched, or clogged.</li> </ul>	<ul style="list-style-type: none"> <li>• Make sure the drain hose is free of clogs, kinks, etc., and is not pinched behind or under the washer.</li> </ul>
<p>Washer fills with water slowly or not at all, or the display shows:</p> 	<ul style="list-style-type: none"> <li>• Water supply taps are not open fully.</li> <li>• Water line hoses are kinked, pinched, or bent.</li> <li>• Water inlet filters are clogged.</li> <li>• Water pressure to tap or house is too low.</li> </ul>	<ul style="list-style-type: none"> <li>• Make sure that the water taps are open fully.</li> <li>• Make sure the hoses are not kinked or pinched. Be careful when moving the washer.</li> <li>• Clean the inlet filters. See the <b>Care and Cleaning</b> section.</li> <li>• Check another faucet in the house to make sure that household water pressure is adequate.</li> </ul>
<p>Washer will not turn on</p>	<ul style="list-style-type: none"> <li>• Power cord is not properly plugged in.</li> <li>• House fuse is blown, circuit breaker has tripped, or power outage has occurred.</li> </ul>	<ul style="list-style-type: none"> <li>• Make sure that the plug is plugged securely into a grounded, 3-prong, 120-VAC, 60-Hz. outlet.</li> <li>• Reset circuit breaker or replace fuse. Do not increase fuse capacity. If the problem is a circuit overload, have it corrected by a qualified electrician.</li> </ul>
<p>The display shows:</p> 	<ul style="list-style-type: none"> <li>• The lid is not closed properly.</li> </ul>	<ul style="list-style-type: none"> <li>• Make sure that the lid is closed properly and press the START/PAUSE button. After starting a cycle, it may take a few moments before the drum begins to turn or spin. The washer will not spin unless the lid is locked (LID LOCK will appear in the display).</li> <li>• If the lid is closed and locked and the open lid error message is displayed, call for service.</li> <li>• If you press the START button while the lid is open, dE error message will be displayed.</li> </ul>
<p>The display shows:</p> 	<ul style="list-style-type: none"> <li>• Lid lock switch error</li> </ul>	<ul style="list-style-type: none"> <li>• Make sure that the lid is closed properly and press the START/PAUSE button. The washer will not spin unless the lid is locked (LID LOCK will appear in the display).</li> <li>• If the lid is closed and the lid lock error message is displayed, call for service.</li> </ul>
<p>Wash cycle time is longer than usual</p>	<ul style="list-style-type: none"> <li>• The washer automatically adjusts the wash time for the amount of laundry, water pressure, water temperature, and other operating conditions.</li> </ul>	<ul style="list-style-type: none"> <li>• This is normal. The washer adjusts cycle time automatically to provide optimal results for the selected cycle.</li> <li>• If you press the START button while the lid is open, dE error message will be displayed.</li> </ul>
<p>The display shows:</p> 	<ul style="list-style-type: none"> <li>• Water level is too high due to a faulty water valve.</li> </ul>	<ul style="list-style-type: none"> <li>• Close the water taps, unplug the washer, and call for service.</li> </ul>
<p>The display shows:</p> 	<ul style="list-style-type: none"> <li>• Clutch error</li> </ul>	<ul style="list-style-type: none"> <li>• Unplug the washer, and call for service.</li> </ul>

# TROUBLESHOOTING

## BEFORE CALLING FOR SERVICE (cont.)

Problem	Possible Causes	Solutions
<p>The display shows:</p> 	<ul style="list-style-type: none"> <li>The washer has detected an out of balance load.</li> </ul>	<ul style="list-style-type: none"> <li>If the washer detects a load that is too far out of balance to spin, it will display this code while it is attempting to rebalance the load. The washer will add water and try to redistribute the load automatically. This display is for your information only, and no action is required.</li> </ul>
<p>The display shows:</p> 	<ul style="list-style-type: none"> <li>If the uE rebalance (see above) is not successful, this error will be displayed.</li> <li>The load is too small.</li> <li>Heavy articles are mixed with lighter items.</li> <li>The load is out of balance.</li> </ul>	<ul style="list-style-type: none"> <li>The automatic attempt to rebalance the load was not successful. The cycle has been paused to allow the load to be manually adjusted.</li> <li>Small loads may need additional items to be added to allow the washer to balance the loads.</li> <li>The load may have heavy items loaded with lighter items. Always try to wash articles of somewhat similar weight to allow the washer to evenly distribute the weight of the load for spinning.</li> <li>Manually redistribute the load if articles have become tangled preventing the automatic distribution from working properly.</li> </ul>
<p>The display shows:</p> 	<ul style="list-style-type: none"> <li>Thermistor error</li> </ul>	<ul style="list-style-type: none"> <li>Unplug the washer and call for service.</li> </ul>
<p>The display shows:</p> 	<ul style="list-style-type: none"> <li>The water level sensor is not working correctly.</li> </ul>	<ul style="list-style-type: none"> <li>Close the water taps, unplug the washer, and call for service.</li> </ul>
<p>The display shows:</p> 	<ul style="list-style-type: none"> <li>Thermal overload protection circuit in the motor has been tripped.</li> </ul>	<ul style="list-style-type: none"> <li>Allow the washer to stand for 30 minutes to allow the motor to cool; then restart the cycle. If the LE error code still appears, unplug the washer and call for service.</li> </ul>
<p><b>Staining</b></p>	<ul style="list-style-type: none"> <li>Add laundry products to the washer drum.</li> <li>Washer not unloaded promptly.</li> <li>Does not properly sort the clothes.</li> </ul>	<ul style="list-style-type: none"> <li>Load the laundry products into the dispenser.</li> <li>Always remove items from the washer as soon as the cycle is completed.</li> <li>Always wash dark colors separately from light colors and whites to prevent discoloration. If possible, do not wash heavily soiled items with lightly soiled ones.</li> </ul>
<p><b>Wrinkling</b></p>	<ul style="list-style-type: none"> <li>Washer not unloaded promptly.</li> <li>Washer overloaded.</li> <li>Hot and cold water inlet hoses are reversed.</li> </ul>	<ul style="list-style-type: none"> <li>Always remove items from the washer as soon as the cycle is completed.</li> <li>The washer can be fully loaded, but the drum should not be tightly packed with items. The lid of the washer should close easily.</li> <li>Hot water rinse can set wrinkles in garments. Check the inlet hose connections.</li> </ul>

**NOTE:** If an error message is displayed for 4 minutes, the water in the tub will automatically drain. An alarm will sound 1 minute prior to draining, and 'dr' will appear on the display. You may restart the washer at this time. However, once the washer initiates draining, all functions will be suspended, and 'dr' will be displayed until draining is complete.

# TROUBLESHOOTING

## BEFORE CALLING FOR SERVICE (cont.)

Problem	Possible Causes	Solutions
<b>Washer won't operate</b>	Control panel is asleep	<ul style="list-style-type: none"> <li>This is normal. Press POWER.</li> </ul>
	Washer is unplugged	<ul style="list-style-type: none"> <li>Make sure cord is plugged securely into a working outlet.</li> </ul>
	Water supply is turned off	<ul style="list-style-type: none"> <li>Turn both hot and cold faucets fully on.</li> </ul>
	Controls are not set properly	<ul style="list-style-type: none"> <li>Make sure the cycle was set correctly, close the lid and press START.</li> </ul>
	Lid is open-safety feature Prevents the washer from filling and operation when lid is up	<ul style="list-style-type: none"> <li>Close lid and reset cycle, to the beginning if necessary.</li> </ul>
	Circuit breaker/fuse is tripped/blown	<ul style="list-style-type: none"> <li>Check house circuit breakers/fuses. Replace fuses or reset breaker. The washer should have a dedicated circuit.</li> </ul>
	Electronics need to be reset	<ul style="list-style-type: none"> <li>Press the POWER button.</li> </ul>
	START was not pressed after a cycle was set	<ul style="list-style-type: none"> <li>Press START.</li> </ul>
	Extremely low water pressure	<ul style="list-style-type: none"> <li>Check another faucet in the house to make sure that household water pressure is adequate.</li> </ul>
	Washer is too cold	<ul style="list-style-type: none"> <li>If the washer has been exposed to temperatures below freezing for an extended period of time, allow it to warm up before pressing POWER. Otherwise, the display will not come on.</li> </ul>
<b>Washer not filling properly</b>	Filter clogged or fill hoses may be kinked	<ul style="list-style-type: none"> <li>Make sure that filters (blue and orange screens must be free of solids) on the unit are not clogged. Turn off water and check filter by disconnecting hose at machine. Check that fill hoses are not kinked or clogged.</li> </ul>
	Energy efficiency	<ul style="list-style-type: none"> <li>This is an energy-efficient washer. As a result the temperature settings for this washer may be different than non-energy-efficient washers.</li> </ul>
	Insufficient water supply	<ul style="list-style-type: none"> <li>Make sure that the water supply is turned on. Make sure that the water faucets are turned to their completely open positions.</li> </ul>
	The washer lid is open	<ul style="list-style-type: none"> <li>The washer lid must be closed for all washer cycle operations. If the lid is opened during washer operation, all functions will stop, including water filling.</li> </ul>
	Incorrect fill hose connection	<ul style="list-style-type: none"> <li>Make sure that the fill hoses connect the hot water supply to the hot inlet on the washer, and the cold water supply to the cold inlet on the washer (hot to hot, cold to cold).</li> </ul>
	Water fill optimization	<ul style="list-style-type: none"> <li>Water may not cover the top level of the clothes. This is normal for this high-efficiency washer. The water fill is optimized by the system for best wash performance.</li> </ul>

# TROUBLESHOOTING

## BEFORE CALLING FOR SERVICE (cont.)

Problem	Possible Causes	Solutions
<b>Washer will not drain water</b>	Kinked drain hose or drain located higher than 8' above floor	<ul style="list-style-type: none"> <li>Ensure that the drain hose is not kinked. Per the recommended installation instructions, the drain outlet cannot be over 8' above the floor.</li> </ul>
<b>Water leaks every load</b>	Hoses not installed correctly	<ul style="list-style-type: none"> <li>Check all fill and drain hose connections to ensure that they are tight and secure.</li> </ul>
<b>Water leaks</b>	Oversudsing of detergent	<ul style="list-style-type: none"> <li>Oversudsing may create leaks, and may be caused by the type and amount of detergent used. High-efficiency detergent is recommended. Make sure that detergent and any additives are put into the correct dispenser compartments. Follow the detergent manufacturer's recommendations for the amount of detergent, but try using less detergent, especially if home water conditioning or water softening units are used.</li> </ul>
<b>Incomplete or no dispensing of detergent</b>	Detergent compartments clogged from incorrect filling	<ul style="list-style-type: none"> <li>Make sure that detergent and additives are put in to the correct dispenser compartments. If liquid detergent is used, make sure that the liquid detergent cup and insert are in the detergent compartment. If powdered detergent is used, make sure that the liquid detergent cup and insert are not used. For all detergent types, always make sure that the dispenser drawer is fully closed before the start of the cycle.</li> </ul>
	Too much detergent use	<ul style="list-style-type: none"> <li>Make sure that the suggested amount of detergent is used per the manufacturer's recommendations. You may also dilute the detergent with water to the maximum fill line on the compartment to avoid clogging. Use only HE (High-Efficiency) detergent.</li> </ul>
	Insufficient water supply	<ul style="list-style-type: none"> <li>Make sure that the water supply is turned on. Make sure that the water faucets are turned to their completely open positions.</li> </ul>
	Normal residue	<ul style="list-style-type: none"> <li>Normal operation. Residual may remain in the dispenser of the compartments. The dispenser box may be removed for occasional cleaning with warm water and a scrub brush.</li> </ul>
<b>Premature dispensing of bleach</b>	Bleach dispenser filled for future load	<ul style="list-style-type: none"> <li>You cannot store bleach in the dispenser for future use. The bleach dispenser will be dispensed every load for optimal safety of the washer.</li> </ul>
	Overfilling the bleach dispenser	<ul style="list-style-type: none"> <li>Overfilling the dispenser with bleach may lead to premature dispensing. There is a maximum fill line indicated on the bleach dispenser to help avoid overfilling.</li> </ul>
<b>Clogging of bleach</b>	Bleach dispenser is not seated	<ul style="list-style-type: none"> <li>Make sure that the bleach cover is properly seated and snapped into place before the start of the cycle.</li> </ul>
	Insufficient cleaning	<ul style="list-style-type: none"> <li>You may remove and clean the bleach cover with warm water and a scrub brush to clear clogging.</li> </ul>
<b>Poor stain removal</b>	Presoak not selected	<ul style="list-style-type: none"> <li>When stain inspector is used, presoak temperature and time are automatically selected. If you choose not to use the stain inspector, we recommend that you select presoak when defining your wash cycle. Always make sure that any additives, such as your high efficiency liquid detergent, are added to the pretreat dispenser bin before starting the cycle. Always refer to your clothes care label before treating stains.</li> </ul>

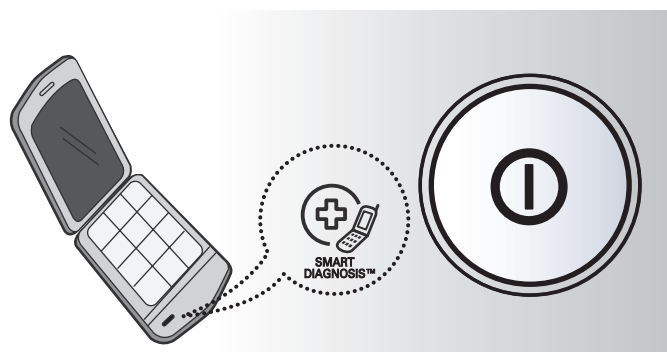
# TROUBLESHOOTING / SPECIFICATIONS

## USING SMARTDIAGNOSIS™

- Only use this feature when instructed to do so by the call center. The transmission sounds similar to a fax machine, and so has no meaning except to the call center.
- SmartDiagnosis™ cannot be activated if the washer does not power up. If this happens, then troubleshooting must be done without SmartDiagnosis™.

If you experience problems with your washer, call 1-800-243-0000 (1-888-542-2623 in Canada). Follow the call center agent's instructions, and do the following steps when requested:

- 1 Press the POWER button to turn on the washer. Do not press any other buttons or turn the cycle selector knob.
- 2 When instructed to do so by the call center, place the mouthpiece of your phone very close to the POWER button.



- 3 Press and hold the Wash/Rinse button for three seconds, while holding the phone mouthpiece to the icon or POWER button.
- 4 Keep the phone in place until the tone transmission has finished. This takes about 15 seconds, and the display will count down the time.
  - For best results, do not move the phone while the tones are being transmitted.
  - If the call center agent is not able to get an accurate recording of the data, you may be asked to try again.
  - Pressing the POWER button during the transmission will shut off the SmartDiagnosis™.
- 5 Once the countdown is over and the tones have stopped, resume your conversation with the call center agent, who will then be able to assist you using the information transmitted for analysis at the call center.

## KEY DIMENSIONS AND SPECIFICATIONS

The appearance and specifications listed in this guide may vary due to constant product improvements.

Model WT5001C*	
<b>Description</b>	Top-Loading Washer
<b>Rated Voltage/Frequency</b>	120V AC, 60Hz
<b>Water Pressure</b>	14.5~116 PSI (100~800 kPa)
<b>Dimensions</b>	27"(W) X 28 <sup>3</sup> / <sub>8</sub> "(D) X 45 <sup>3</sup> / <sub>8</sub> "(H), 55 <sup>3</sup> / <sub>4</sub> "(H with lid open) 68.6 cm (W) X 72.1 cm (D) X 115.3 cm (H), 141.7 cm (H with lid open)
<b>Net Weight</b>	145.5 lbs. (66 kg)
<b>Max. Spin Speed</b>	1,100 RPM



# LG ELECTRONICS, INC. LG WASHING MACHINE LIMITED WARRANTY - USA



Your LG Washing Machine will be repaired or replaced, at LG's option, if it proves to be defective in material or workmanship under normal use, during the warranty period ("Warranty Period") set forth below, effective from the date ("Date of Purchase") of original consumer purchase of the product. This warranty is good only to the original purchaser of the product and effective only when used in the United States, including Alaska, Hawaii, and U.S. Territories.

<p><b>WARRANTY PERIOD:</b></p> <p><b>LABOR: One Year</b> from the Date of Purchase.</p> <p><b>PARTS (except as listed below): One Year</b> from the Date of Purchase.</p> <p style="padding-left: 40px;"><b>Drum Motor (Stator, Rotor, Hall sensor):</b> <b>Ten Years</b> from the Date of Purchase.</p> <p style="padding-left: 40px;"><b>Stainless Steel Drum: Lifetime</b></p> <p>Replacement Units and Repair Parts may be new or remanufactured.</p> <p>Replacement Units and Repair Parts are warranted for the remaining portion of the original unit's warranty period.</p>	<p><b>HOW SERVICE IS HANDLED:</b></p> <p><b>In-Home Service:</b></p> <p>Please retain dealer's dated bill of sale or delivery ticket as evidence of the Date of Purchase for proof of warranty, and submit a copy of the bill of sale to the service person at the time warranty service is provided.</p> <p><b>Please call 1-800-243-0000 and choose the appropriate option to locate your nearest LG Authorized Service Center.</b></p> <p>Or visit our Web site at: <a href="http://www.lg.com">http://www.lg.com</a>.</p>
---	---

**THIS WARRANTY IS IN LIEU OF ANY OTHER WARRANTY, EXPRESS OR IMPLIED, INCLUDING WITHOUT LIMITATION, ANY WARRANTY OF MERCHANTABILITY OR FITNESS FOR A PARTICULAR PURPOSE. TO THE EXTENT ANY IMPLIED WARRANTY IS REQUIRED BY LAW, IT IS LIMITED IN DURATION TO THE EXPRESS WARRANTY PERIOD ABOVE. NEITHER THE MANUFACTURER NOR ITS U.S. DISTRIBUTOR SHALL BE LIABLE FOR ANY INCIDENTAL, CONSEQUENTIAL, INDIRECT, SPECIAL, OR PUNITIVE DAMAGES OF ANY NATURE, INCLUDING WITHOUT LIMITATION, LOST REVENUES OR PROFITS, OR ANY OTHER DAMAGE WHETHER BASED IN CONTRACT, TORT, OR OTHERWISE.** Some states do not allow the exclusion or limitation of incidental or consequential damages or limitations on how long an implied warranty lasts, so the above exclusion or limitation may not apply to you. This warranty gives you specific legal rights and you may also have other rights that vary from state to state.

**THIS LIMITED WARRANTY DOES NOT APPLY TO:**

- Service trips to your home to deliver, pick up, and/or install the product, instruct, or replace house fuses or correct wiring, or correction of unauthorized repairs.
- Damages or operating problems that result from misuse, abuse, operation outside environmental specifications or contrary to the requirements of precautions in the Operating Guide, accident, vermin, fire, flood, improper installation, acts of God, unauthorized modification or alteration, incorrect electrical current or voltage, or commercial use, or use for other than intended purpose.

The cost of repair or replacement under these excluded circumstances shall be borne by the consumer.

**CUSTOMER INFORMATION CENTER NUMBERS**

<p><b>To obtain Customer Assistance, Product Information, or Dealer or Authorized Service Center location:</b></p>	<p><b>Call 1-800-243-0000</b> (24 hours a day, 365 days a year), and select the appropriate option from the menu.</p> <p><b>Or visit our Web site at: <a href="http://www.lg.com">http://www.lg.com</a>.</b></p>
--	--

**TO CONTACT LG ELECTRONICS BY MAIL:**

LG Customer INFORMATION Center  
P. O. Box 240007  
201 James Record Road  
Huntsville, Alabama 35824  
ATTN: CIC

***Product Registration Information***

<b>Model:</b>	
<b>Serial Number:</b>	
<b>Date of Purchase:</b>	

The model and serial number can be located on the rating plate on the back of the washer.

# LG ELECTRONICS CANADA, INC.

## LG WASHER LIMITED WARRANTY - Canada

**WARRANTY:** Should your LG Washer ("Product") fail due to a defect in material or workmanship under normal home use during the warranty period set forth below, LG Canada will at its option repair or replace the Product upon receipt of proof of original retail purchase. This warranty is valid only to the original retail purchaser of the product and applies only to a Product distributed in Canada by LG Canada or an authorized Canadian distributor thereof. The warranty only applies to Products located and used within Canada.

<b>WARRANTY PERIOD: (Note: If the original date of purchase can not be verified, the warranty will begin sixty (60) days from the date of manufacture).</b>		
<b>Washer</b>	<b>Extended Component Warranty (Parts Only)</b> (Consumer will be charged for Labor after One (1) year from the date of purchase)	
<b>One (1) year from the date of original retail purchase</b>	<b>Ten (10) years from the date of original retail purchase</b>	<b>Five ( 5 ) years from the date of original retail purchase</b>
Parts and Labor (internal/functional parts only)	DD Motor (Stator, Rotor, Hall Sensor)	Drum Tub <b>Define tub, ie, SS wash tub only</b>

- ❖ Replacement products and parts are warranted for the remaining portion of the original warranty period or ninety (90) days, whichever is greater.
- ❖ Replacement products and parts may be new or remanufactured.
- ❖ LG Authorized Service Center warranties their repair work for thirty (30) days.

**LG CANADA'S SOLE LIABILITY IS LIMITED TO THE WARRANTY SET OUT ABOVE. EXCEPT AS EXPRESSLY PROVIDED ABOVE, LG CANADA MAKES NO AND HEREBY DISCLAIMS ALL OTHER WARRANTIES AND CONDITIONS RESPECTING THE PRODUCT, WHETHER EXPRESS OR IMPLIED, INCLUDING, BUT NOT LIMITED TO, ANY IMPLIED WARRANTY OR CONDITION OF MERCHANTABILITY OR FITNESS FOR A PARTICULAR PURPOSE, AND NO REPRESENTATIONS SHALL BE BINDING ON LG CANADA. LG CANADA DOES NOT AUTHORIZE ANY PERSON TO CREATE OR ASSUME FOR IT ANY OTHER WARRANTY OBLIGATION OR LIABILITY IN CONNECTION WITH THE PRODUCT. TO THE EXTENT THAT ANY WARRANTY OR CONDITION IS IMPLIED BY LAW, IT IS LIMITED TO THE EXPRESS WARRANTY PERIOD ABOVE.**

**LG CANADA, THE MANUFACTURER OR DISTRIBUTOR SHALL NOT BE LIABLE FOR ANY INCIDENTAL, CONSEQUENTIAL, SPECIAL, DIRECT OR INDIRECT DAMAGES, LOSS OF GOODWILL, LOST PROFITS, PUNITIVE OR EXEMPLARY DAMAGES OR ANY OTHER DAMAGE, WHETHER ARISING DIRECTLY OR INDIRECTLY FROM ANY CONTRACTUAL BREACH, FUNDAMENTAL OR OTHERWISE, OR FROM ANY ACTS OR OMISSIONS, TORT, OR OTHERWISE.**

This warranty gives you specific legal rights. You may have other rights which may vary from province to province depending on applicable provincial laws. Any term of this warranty that negates or varies any implied condition or warranty under provincial law is severable where it conflicts with provincial law without affecting the remainder of this warranty's terms.

**THIS LIMITED WARRANTY DOES NOT COVER:**

1. Service trips to deliver, pick up, or install the product; instructing a customer on operation of the product; repair or replacement of fuses or correction of wiring , or correction of unauthorized repairs/installation.
2. Failure of the product to perform during power failures and interruptions or inadequate electrical service.
3. Damage caused by leaky or broken water pipes, frozen water pipes, restricted drain lines, inadequate or interrupted water supply or inadequate supply of air.
4. Damage resulting from operating the Product in a corrosive atmosphere or contrary to the instructions outlined in the Product owner's manual.
5. Damage to the Product caused by accidents, pests and vermin, lightning, wind, fire, floods, or acts of God.
6. Damage resulting from the misuse, abuse, improper installation, repair, or maintenance of the Product. Improper repair includes use of parts not approved or specified by LG Canada.
7. Damage or product failure caused by unauthorized modification or alteration, or use for other than its intended purpose, or resulting from any water leakage due to improper installation.
8. Damage or Product failure caused by incorrect electrical current, voltage, commercial or industrial use, or use of accessories, components, or cleaning products that are not approved by LG Canada.
9. Damage caused by transportation and handling, including scratches, dents, chips, and/or other damage to the finish of your product, unless such damage results from defects in materials or workmanship and is reported within one (1) week of delivery.
10. Damage or missing items to any display, open box, discounted, or refurbished Product.
11. Products with original serial numbers that have been removed, altered, or cannot be readily determined. Model and Serial numbers, along with original retail sales receipt, are required for warranty validation.
12. Increases in utility costs and additional utility expenses.
13. Replacement of light bulbs, filters, or any consumable parts.
14. Repairs when your Product is used in other than normal and usual household use (including, without limitation, commercial use, in offices or recreational facilities) or contrary to the instructions outlined in the Product owner's manual.
15. Costs associated with removal of the Product from your home for repairs.
16. The removal and reinstallation of the Product if it is installed in an inaccessible location or is not installed in accordance with published installation instructions, including the Product owner's and installation manuals.
17. Accessories to the Product such as door bins, drawers, handles, shelves, etc.. Also excluded are parts besides those that were originally included with the Product.

All costs associated with the above excluded circumstances shall be borne by the consumer.

For complete warranty details and customer assistance, please call or visit our website:

Call 1-888-542-2623 (24 hours a day, 365 days a year) and select the appropriate option from the menu, or visit our website at <http://www.lg.com>

Write your warranty information below:

Product Registration Information:

Model:

**Serial Number:**

**Date of Purchase:**



ESPAÑOL

# MANUAL DE PROPIETARIO LAVADORA

Lea este manual con cuidado antes de utilizar la lavadora y guárdelo para futuras consultas.

WT5001C\*

# INTRODUCCIÓN

## INSTRUCCIONES IMPORTANTES DE SEGURIDAD

Precauciones básicas de seguridad .....	3-4
Instrucciones para la toma a tierra.....	4
Instrucciones de seguridad para la Instalación.....	5
Instrucciones de seguridad para uso, Cuidado, limpieza y eliminación .....	6

## PIEZAS Y CARACTERÍSTICAS

Características especiales .....	7
Piezas y componentes clave .....	8

## INSTRUCCIONES DE INSTALACIÓN

Elegir el lugar adecuado .....	9
Asentamiento en el suelo .....	9
Espacios de instalación .....	9
Desembalaje de la lavadora .....	10
Conexión de las líneas de agua .....	11
Conexión de la manguera de desagüe .....	11-12
Nivelado de la lavadora .....	12
Conectar al tomacorriente .....	12

## FUNCIONAMIENTO

Características del panel de control .....	13
Funcionamiento de la lavadora .....	14
Guía de ciclos.....	15
Clasificación de las cargas de lavado .....	16
Selección del detergente .....	17
Acerca del dispensador .....	17
Carga del dispensador .....	18
Pantalla LED.....	19
Botones de modificación de ciclo .....	20-21
Botones de opción de ciclo .....	22-23

## CUIDADOS Y LIMPIEZA

Limpieza regular .....	24-25
Mantenimiento .....	25
Limpieza de la lavadora .....	26

## RESOLUCIÓN DE PROBLEMAS

Ruidos normales que puede escuchar .....	27
Antes de solicitar asistencia técnica .....	27-31
Utilización del Diagnóstico Inteligente™.....	32

## ESPECIFICACIONES

Dimensiones y especificaciones clave .....	32
--	----

## GARANTÍA .....

33

## GRACIAS.

Le felicitamos por su compra y le damos la bienvenida a la gama de productos LG.

Su nueva lavadora LG combina la tecnología de lavado más avanzada con un funcionamiento sencillo y un alto rendimiento.

Siga las instrucciones de funcionamiento y cuidado incluidas en este manual, y conseguirá que su lavadora le ofrezca un servicio fiable y duradero.



# INSTRUCCIONES IMPORTANTES DE SEGURIDAD

## LEA TODAS LAS INSTRUCCIONES ANTES DE UTILIZAR

**⚠️ ADVERTENCIA** Por su seguridad, debe seguir la información contenida en este manual para minimizar el riesgo de incendio o explosión, descargas eléctricas, o para evitar daños a la propiedad, lesiones personales o pérdida de la vida.

### Su seguridad y la de otros es muy importante.

Hemos incluido algunos mensajes de seguridad importantes en este manual y en su dispositivo.

Lea y cumpla siempre todos los mensajes de seguridad.



Éste es el símbolo de alerta de seguridad.

Este símbolo le alerta de los riesgos potenciales que podrían causarle la muerte o dañar a usted y a otros. Todos los mensajes de seguridad aparecerán después del símbolo de alerta y la palabra “PELIGRO” o “ADVERTENCIA”.

Estas palabras significan:

**⚠️ PELIGRO:** Si no cumple con las instrucciones de inmediato puede correr peligro de muerte o de lesiones graves.

**⚠️ ADVERTENCIA:** Si no sigue las instrucciones puede correr peligro de muerte o de lesiones graves. Todos los mensajes de seguridad le informarán de peligros potenciales, cómo reducir las posibilidades de riesgo y le informarán de qué pasaría si no se siguen las instrucciones.

# INSTRUCCIONES IMPORTANTES DE SEGURIDAD

## LEA TODAS LAS INSTRUCCIONES ANTES DE UTILIZAR

**⚠️ ADVERTENCIA** Por su seguridad, debe seguir la información contenida en este manual para minimizar el riesgo de incendio o explosión, descargas eléctricas, o para evitar daños a la propiedad, lesiones personales o pérdida de la vida.

## PRECAUCIONES BÁSICAS DE SEGURIDAD

**⚠️ ADVERTENCIA:** Para reducir el riesgo de incendio, descarga eléctrica o daños a personas al utilizar el electrodoméstico, siga las precauciones básicas, incluidas las siguientes:

- Antes de usar, la lavadora debe instalarse correctamente según lo descrito en este manual.
- No seque artículos que previamente se hayan limpiado, lavado, empapado, o se hayan manchado con gasolina, disolventes de limpieza en seco, otras sustancias inflamables o explosivas puesto que emiten vapores que podrían provocar ignición o estallar.
- No añada gasolina, disolventes de limpieza en seco, o de otras sustancias explosivas o inflamables al agua de lavado. Estas sustancias emiten vapores que pueden encenderse o explotar.
- Bajo ciertas condiciones, el gas hidrógeno puede ser producido en un sistema de agua caliente que no se haya utilizado durante 2 semanas o más. EL GAS HIDRÓGENO ES EXPLOSIVO. Si el sistema de agua caliente no se ha utilizado durante ese período, antes de usar la lavadora, abra todos los grifos de agua caliente y deje correr el agua de cada uno durante varios minutos. Esto liberará el gas de hidrógeno acumulado. Como el gas es inflamable, no fume ni use una llama abierta durante este tiempo.
- No permita que los niños jueguen cerca de la lavadora. Es necesario vigilar de cerca a los niños cuando la lavadora se utilice cerca de ellos.
- Antes de que la lavadora esté fuera de servicio o desconectada, quite la puerta para evitar que los niños se introduzcan en su interior.
- No instale ni coloque la lavadora en un lugar en el cual quede expuesta a temperaturas bajo cero.
- No trate de forzar los controles.
- No repare o reemplace cualquier parte de la lavadora o intente cualquier servicio que no sea como se describe en este manual. Se recomienda encarecidamente que toda reparación la lleve a cabo un técnico cualificado.
- Vea los requisitos en las **instrucciones de instalación** de toma a tierra.
- Siga SIEMPRE las instrucciones de cuidado de la tela proporcionada por el fabricante de prendas de vestir.
- No introduzca artículos expuestos a aceites de cocina en su lavadora. Los artículos contaminados con aceites de cocina pueden contribuir a una reacción química que podría provocar el incendio de una carga de ropa.
- Use suavizantes o productos para eliminar la carga estática como se lo recomiende el fabricante.
- Esta lavadora no está diseñada para el uso marítimo o para instalaciones móviles, como en casas rodantes, aeronaves, etc.
- Cortar el grifo de agua y desconectar la lavadora si la máquina se va a dejar de usar por un período prolongado de tiempo, como durante las vacaciones.
- El material de embalaje puede ser peligroso para los niños. Existe riesgo de asfixia. Mantenga todos los embalajes fuera del alcance de los niños.
- Revise siempre el interior la lavadora en busca de objetos extraños antes de la carga de lavandería. Mantenga la puerta cerrada cuando no esté en uso.
- No toque la lavadora mientras las piezas se esten moviendo.

## INSTRUCCIONES PARA LA TOMA A TIERRA

Este electrodoméstico debe tener una toma a tierra adecuada. En caso de un mal funcionamiento o avería, disponer de toma a tierra reducirá el riesgo de descargas eléctricas proporcionando una trayectoria de menor resistencia para la corriente eléctrica. Este electrodoméstico debe ir equipado con un cable que tenga un conductor y un enchufe de toma a tierra del equipo. El enchufe debe ir conectado a una toma de corriente apropiada debidamente instalada y con una toma a tierra que cumpla todas las leyes y ordenanzas locales.

**⚠️ ADVERTENCIA:** La conexión inadecuada del conductor de los equipos de tierra puede provocar un riesgo de descarga eléctrica. Compruebe con un electricista o técnico cualificado si duda de si el electrodoméstico dispone de una toma a tierra correcta. No modifique el enchufe proporcionado con el electrodoméstico. Si no cabe el enchufe en la toma de corriente, solicite a un electricista cualificado la instalación de un enchufe apropiado. No seguir estas advertencias puede causar lesiones serias, un incendio, una descarga eléctrica o incluso la muerte.

# INSTRUCCIONES IMPORTANTES DE SEGURIDAD

## LEA TODAS LAS INSTRUCCIONES ANTES DE UTILIZAR

**⚠️ ADVERTENCIA** Por su seguridad, debe seguir la información contenida en este manual para minimizar el riesgo de incendio o explosión, descargas eléctricas, o para evitar daños a la propiedad, lesiones personales o pérdida de la vida.

## INSTRUCCIONES DE SEGURIDAD PARA LA INSTALACIÓN

**⚠️ ADVERTENCIA:** Para reducir el riesgo de incendio, descarga eléctrica o daños a personas al utilizar el electrodoméstico, siga las precauciones básicas, incluidas las siguientes:

- **Consulte las INSTRUCCIONES DE INSTALACIÓN para los procedimientos detallados de toma a tierra.** Las instrucciones de instalación se embalan en la lavadora para referencia del instalador. Si la lavadora se mueve a una nueva ubicación, ha de ser revisada y reinstalada por un técnico cualificado. No seguir esta advertencia puede causar lesiones serias, un incendio, una descarga eléctrica o incluso la muerte.
- **Bajo ninguna circunstancia deberá cortar o eliminar la tercera punta (de toma a tierra) del cable de alimentación.** No seguir esta advertencia puede causar lesiones serias, un incendio, una descarga eléctrica o incluso la muerte.
- **Por su seguridad personal, este electrodoméstico ha de tener toma a tierra.** No seguir esta advertencia puede causar lesiones serias, un incendio, una descarga eléctrica o incluso la muerte.
- **El cable de alimentación de este electrodoméstico está equipado con 3 patas (tomas de tierra) de enchufe que se acopla con el estándar de 3 patas (tomas de tierra) de la pared para reducir al mínimo la posibilidad de riesgo de descarga eléctrica de este electrodoméstico.**
- **Esta lavadora debe estar conectada a una toma de tierra de 120V AC, 60Hz.** No seguir esta advertencia puede causar lesiones serias, un incendio, una descarga eléctrica o incluso la muerte.
- **Solicite que un electricista cualificado compruebe la toma de la pared y el circuito para asegurarse de que la toma a tierra está correctamente realizada.** No seguir esta advertencia puede causar lesiones serias, un incendio, una descarga eléctrica o incluso la muerte.
- **Será su responsabilidad y obligación personal sustituir una toma de pared de dos puntas por una toma de pared de tres puntas con una toma a tierra adecuada.** No seguir esta advertencia puede causar lesiones serias, un incendio, una descarga eléctrica o incluso la muerte.
- **No instale la lavadora sobre una alfombra. Instale la lavadora sobre un piso sólido.** El incumplimiento de esta advertencia puede causar daños graves provocados por pérdidas.
- **No quite la punta de toma a tierra. No utilice un adaptador o un cable de extensión. Enchufe en una toma de 3 puntas con toma a tierra.** No seguir esta advertencia puede causar lesiones serias, un incendio, una descarga eléctrica o incluso la muerte.
- **La lavadora siempre debería estar conectada a una toma eléctrica individual con una tensión nominal coincidente con la de su placa.** Una instalación así proporciona el mejor rendimiento y también evita la sobrecarga de los circuitos de cables domésticos, lo que podría provocar riesgo de incendio debido a unos cables recalentados.
- **Nunca tire del cable de alimentación para desenchufar la lavadora.** Sujete siempre firmemente el enchufe y sáquelo de la toma sin moverlo de lado a lado. No seguir esta advertencia puede causar lesiones serias, un incendio, una descarga eléctrica o incluso la muerte.
- **Repare o cambie de inmediato todos los cables del servicio eléctrico que se hayan pelado o dañado. No utilice cables que muestren grietas o daños por abrasión por su extensión o en cualquier extremo.** No seguir esta advertencia puede causar lesiones serias, un incendio, una descarga eléctrica o incluso la muerte.
- **Al instalar o mover la lavadora, tenga cuidado de no pisar, machacar o dañar el cable eléctrico.** No seguir esta advertencia puede causar lesiones serias, un incendio, una descarga eléctrica o incluso la muerte.
- **La lavadora debe estar instalada y conectada a tierra por un técnico cualificado de acuerdo con las leyes locales para evitar el peligro de choque y asegurar la estabilidad durante la operación.**
- **La lavadora es pesada. Pueden ser necesarias dos o más personas para instalar y mover el electrodoméstico.** No hacerlo puede ocasionar lesiones de espalda o de otro tipo.
- **Conservar e instalar la lavadora donde no esté expuesta a temperaturas bajo cero o a condiciones climáticas al aire libre.** El incumplimiento de esta advertencia puede causar daños graves de fugas.
- **No instale la lavadora en espacios húmedos para reducir el riesgo de descarga eléctrica.** No seguir esta advertencia puede causar lesiones serias, un incendio, una descarga eléctrica o la muerte.
- **Para reducir el riesgo de lesiones personales, cumpla con todos los procedimientos de seguridad recomendados por la industria, incluyendo el uso de guantes con mangas largas y gafas de seguridad.** En caso de no cumplir con todas las advertencias de seguridad de este manual se podrán producir daños sobre la propiedad, lesiones personales o la muerte.

# INSTRUCCIONES IMPORTANTES DE SEGURIDAD

## LEA TODAS LAS INSTRUCCIONES ANTES DE UTILIZAR

**⚠️ ADVERTENCIA** Por su seguridad, debe seguir la información contenida en este manual para minimizar el riesgo de incendio o explosión, descargas eléctricas, o para evitar daños a la propiedad, lesiones personales o pérdida de la vida.

## INSTRUCCIONES DE SEGURIDAD PARA USO, CUIDADO, LIMPIEZA Y ELIMINACIÓN

**⚠️ ADVERTENCIA :** Para reducir el riesgo de incendio, descarga eléctrica o daños a personas al utilizar el electrodoméstico, siga las precauciones básicas, incluidas las siguientes:

- **Desconecte la lavadora antes de la limpieza para evitar el riesgo de descarga eléctrica.**
- **Nunca use productos químicos abrasivos, limpiadores abrasivos o disolventes para limpiar la lavadora.** Dañarán el acabado.
- **No poner trapos ni ropa empapados en aceite o grasa en la parte superior de la lavadora.** Estas sustancias emiten vapores que pueden encender los materiales.
- **No lave las prendas que se manchen con aceite vegetal o de cocina.** Estos artículos pueden contener un poco de aceite después del lavado. Debido al aceite restante, el tejido se puede humear o prenderse fuego por sí mismo.
- **Desconecte este electrodoméstico de la fuente de alimentación antes de efectuar cualquier mantenimiento. Girando los controladores a la posición OFF no desconecta el electrodoméstico de la fuente de alimentación.** No seguir esta advertencia puede causar lesiones serias, un incendio, una descarga eléctrica o incluso la muerte.
- **No combine productos de lavandería en una carga al menos que se especifique en la etiqueta.**
- **No mezcle cloro con amoníaco o ácidos como el vinagre. Siga las instrucciones del embalaje cuando utilice los productos de lavandería.** El uso incorrecto puede producir gases tóxicos, lo que resulta en lesiones graves o la muerte.
- **No toque la lavadora mientras las piezas se estén moviendo. Antes de cargar, descargar o agregar prendas, pulse el botón de INICIO/PAUSA y espere hasta que el tambor se detenga totalmente antes de colocar las manos dentro.** No seguir esta advertencia puede causar lesiones serias, un incendio, una descarga eléctrica o incluso la muerte.
- **No permita que los niños jueguen cerca de la lavadora. Es necesario vigilar de cerca a los niños cuando la lavadora se utilice cerca de ellos. Cuando los niños crezcan, enséñeles lo propio, el uso seguro de todos los electrodomésticos.** El incumplimiento de estas advertencias podría resultar en graves lesiones personales graves o la muerte.
- **Destruya la caja de cartón, bolsa de plástico y otros materiales de embalaje después de desembalar la lavadora. Los niños lo pueden utilizar para jugar. Embalajes de cartón cubiertos con alfombras, colchas, sábanas de plástico o pueden convertirse en cámaras herméticas.** El incumplimiento de estas advertencias podría resultar en lesiones personales graves o la muerte.
- **Mantenga los productos de lavandería fuera del alcance de los niños. Para evitar lesiones personales, observe todas las advertencias en las etiquetas de los productos.** El incumplimiento de estas advertencias podría resultar en graves lesiones personales.
- **Quite la puerta del compartimento de la lavadora para evitar el peligro de que los niños o pequeños animales queden atrapados dentro antes de que su lavadora sea quitada de servicio o desechada.** El no hacerlo puede ocasionar lesiones personales graves o la muerte.

## GUARDE ESTAS INSTRUCCIONES



# PIEZAS Y CARACTERÍSTICAS

## CARACTERÍSTICAS ESPECIALES

### **A** SMARTRINSE™(ENJUAGUE INTELIGENTE) CON SPRAY DE CHORRO

Esta lavadora está diseñada para ahorrar agua durante el lavado mediante el uso del SMART RINSE™ con spray de chorro en los ciclos de lavado ALGODÓN/NORMAL y MUY SUCIO. NOTA: Seleccione la opción SUAVIZANTE o ENJUAGUE EXTRA, si utiliza suavizante en los ciclos ALGODÓN/NORMAL y MUY SUCIO.

### **B** MOTOR DE ACCIONAMIENTO DIRECTO

Este tipo de motor prescinde de la correa y las poleas de la mayoría de las lavadoras para ofrecer mayor rendimiento y fiabilidad a la vez que aumenta la eficiencia energética.

### **C** INTERRUPTOR DE BLOQUEO DE PUERTA

La puerta de la lavadora se bloquea mientras está en funcionamiento. La puerta se puede desbloquear al pulsar el botón de Inicio/Pausa para detener la lavadora.

### **D** PUERTA SLAMPROOF™

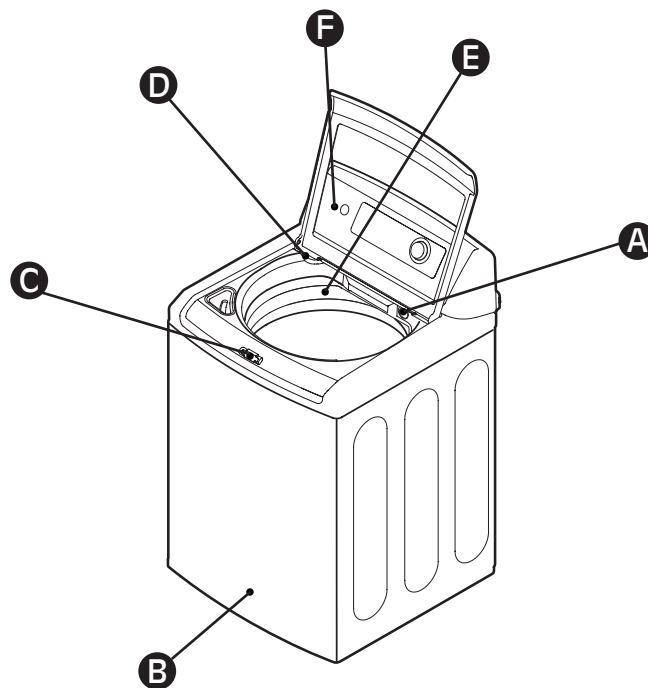
La PUERTA SLAMPROOF™ es un mecanismo de seguridad que permite que la cubierta se cierre con suavidad. El cierre en sí sujeta el peso de la cubierta evitando que ésta se caiga y pueda golpear al usuario.

### **E** WAVEFORCE™

Un tambor girando a gran velocidad utiliza fuerza centrífuga y un pulverizador en ángulo para pulverizar agua sobre la tela causando menos fricción para un lavado más suave y profundo.

### **F** DIAGNÓSTICOINTELIGENTE™

Si experimenta alguna dificultad técnica en su lavadora, podrá transmitir la información por teléfono al Centro de Atención al Cliente. El agente que responde a su llamada anotará la información transmitida con respecto a su lavadora y la utilizará para estudiar el problema, y le facilitará un diagnóstico rápido y efectivo (consulte la página 32).



# PIEZAS Y CARACTERÍSTICAS

## PIEZAS Y COMPONENTES CLAVE

Además de las características y componentes específicos citados en el apartado Características especiales, hay otros componentes que también se mencionan en este manual.

### **A** TAMBOR DE ACERO INOXIDABLE DE MÁXIMA CAPACIDAD

El tambor de acero inoxidable de máxima capacidad ofrece una durabilidad óptima.

### **B** CUBIERTA DE VIDRIO TEMPLADO

La cubierta de vidrio templado es resistente y facilita que se vea el interior de la lavadora.

### **C** BOTÓN GIRATORIO

Gire este botón para seleccionar el ciclo que desee. Una vez seleccionado el ciclo, se mostrarán en la pantalla los preajustes estándar. Dichos ajustes se pueden modificar mediante los botones de configuración de ciclo. Podrá hacerlo en cualquier momento antes de iniciar el lavado.

### **D** PIES DE NIVELACIÓN AUTOMÁTICOS

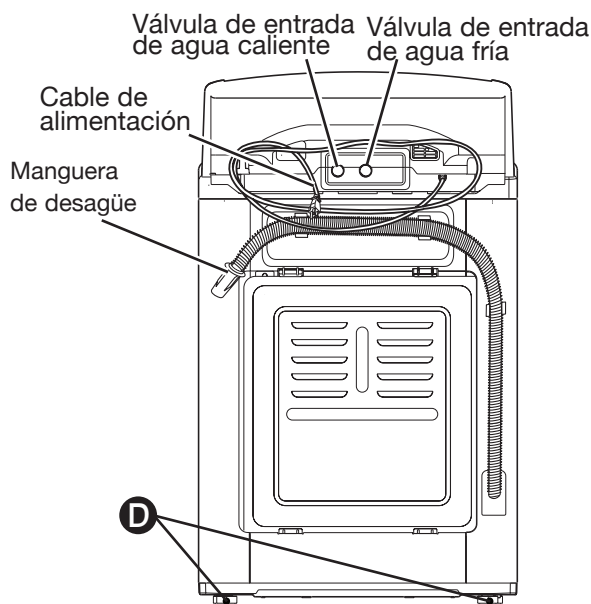
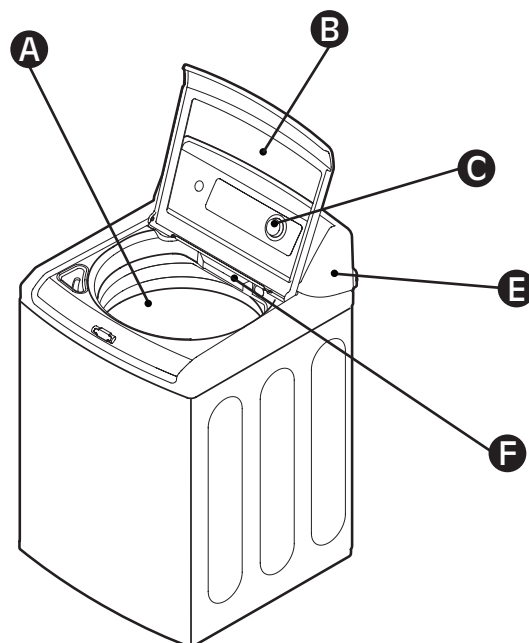
Este pie de nivelación (en la parte trasera) se puede ajustar a fin de mejorar la estabilidad de la lavadora en las superficies irregulares.

### **E** PANEL DE CONTROL POSTERIOR CON PANTALLA LED

La pantalla LED de fácil lectura muestra las opciones de ciclo, la configuración y el tiempo estimado restante durante el funcionamiento.

### **F** CAJÓN DISPENSADOR DE DETERGENTE

Hay dos compartimentos, uno para el detergente (en polvo o líquido) del lavado principal y otro para el suavizante.



### Accesorios incluidos

- Mangueras de agua fría y caliente Con 2 juntas por manguera en cada extremo



- Correa de sujeción (para asegurar la manguera de drenaje)



# INSTRUCCIONES DE INSTALACIÓN

## ELEGIR EL LUGAR ADECUADO

### ⚠️ ADVERTENCIA

- **Recuerde que la lavadora es pesada. Se precisan dos o más personas para moverla y retirar su embalaje.** No seguir esta advertencia puede ser motivo de daños.
- **Guarde e instale la lavadora en una zona no expuesta a temperaturas por debajo de cero o sometida a las inclemencias del tiempo.** No seguir esta advertencia puede ocasionar daños físicos serios, incendio, descarga eléctrica o muerte.
- **Fije la lavadora correctamente a tierra conforme a los códigos y normativas aplicables.** No seguir esta advertencia puede ocasionar daños físicos serios, incendio, descarga eléctrica o muerte.
- **Para reducir el riesgo de descarga eléctrica, no instale la lavadora en entornos con humedad.** No seguir esta advertencia puede ocasionar daños físicos serios, incendio, descarga eléctrica o muerte.
- La apertura de la base no debe obstruirse cuando la lavadora se instale en un suelo con alfombras o moqueta.
- Mantenga el área alrededor y bajo el dispositivo libre de materiales combustibles, como pelusa, papel, trapos, productos químicos, etc.
- **No retire las púas de conexión a tierra. No utilice ningún adaptador o cable alargador. Enchufe a una toma de 3 púas de puesta a tierra.** No seguir esta advertencia puede ocasionar daños físicos serios, incendio, descarga eléctrica o muerte.

### TOMA DE CORRIENTE

- La toma de corriente debe estar a 1,5 m (60 pulg.) de cada lado de la lavadora.
- El electrodoméstico y la toma de corriente deben posicionarse de manera que se acceda fácilmente al enchufe.
- No sobrecargue la toma con más de un electrodoméstico.
- La toma debe conectarse a tierra conforme a los códigos de cableado y las normativas aplicables.
- Se recomienda utilizar un fusible de retardo o un disyuntor.

**NOTA:** Es responsabilidad y obligación personal del propietario del producto disponer de una toma de corriente adecuada instalada por un electricista cualificado.

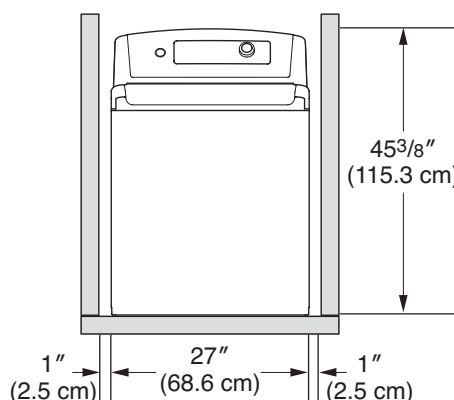
## ASENTAMIENTO EN EL SUELO

- A fin de minimizar el ruido y la vibración, la lavadora DEBE instalarse en un suelo asentado sobre una base sólida.
- La inclinación máxima permitida es de 1 grado.
- No se recomiendan los suelos de moqueta o alfombras ni los de baldosas no rígidas.
- Nunca instale la lavadora en una plataforma o estructura con una base de apoyo debilitada.

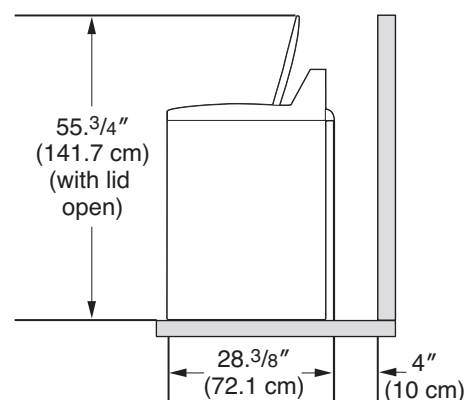
**NOTA:** La lavadora debe instalarse sobre una superficie firme y estable para minimizar la vibración y el ruido durante el ciclo de centrifugado. Los suelos de cemento son idóneos, aunque la madera también es adecuada, siempre que cumpla con los estándares FHA.

La lavadora no debe instalarse sobre alfombras o en exteriores.

## ESPACIOS DE INSTALACIÓN



Para asegurar que hay suficiente espacio para las líneas de agua, deje una separación mínima de al menos 2,5 cm (1 pulg.) a ambos lados y 10 cm (4 pulg.) detrás de la unidad. Asegúrese de dejar espacio suficiente en relación a la pared, puerta y suelo, según pueda requerirse.

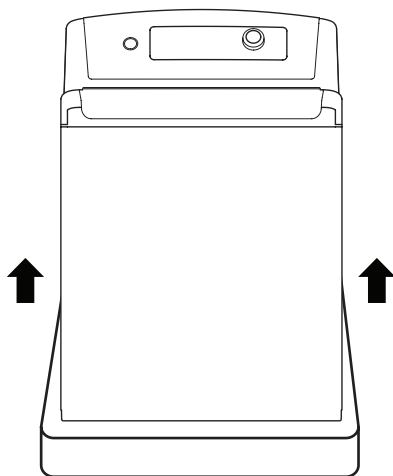


El espacio vertical mínimo desde el suelo a las estanterías o armarios superiores, al techo, etc. es de 142 cm (56 pulg.).

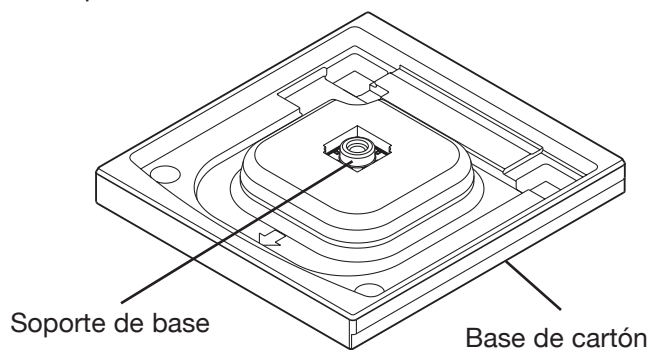
# INSTRUCCIONES DE INSTALACIÓN

## DESEMBALAJE DE LA LAVADORA

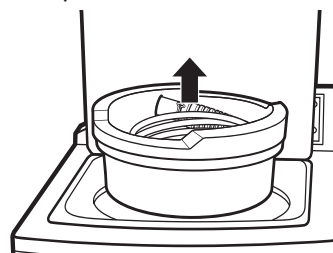
- 1 Cuando reciba la lavadora en su casa, retire la base de cartón y poliestireno utilizada para el envío del electrodoméstico.



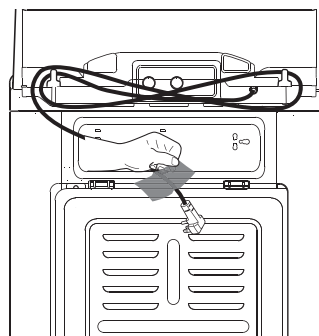
Al retirar la lavadora de la caja de cartón, asegúrese de retirar el Soporte de base del medio de la base de cartón. Si debe asentar la lavadora hacia abajo para quitar los materiales de embalaje de la base, siempre proteja el lado de la lavadora y deposítela con cuidado sobre su lado. NO asiente la lavadora sobre su parte frontal o posterior.



- 2 Retire la parte del embalaje que incluye el Manual del propietario, las piezas, las mangueras de agua y las muestras de productos para el lavado.

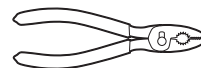


- 3 Afloje el cable de alimentación de la parte trasera de la lavadora.



### HERRAMIENTAS A UTILIZAR

- Alicates regulables



- Nivel de carpintero

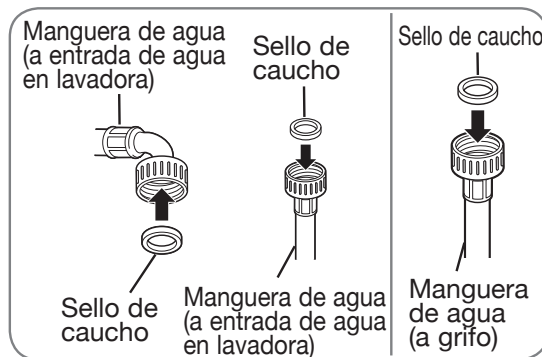


# INSTRUCCIONES DE INSTALACIÓN

## CONEXIÓN DE LAS LÍNEAS DE AGUA

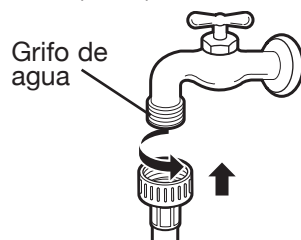
- **IMPORTANTE** : Cuando instale la lavadora utilice mangueras nuevas. NO reutilice ninguna ya usada.
- **IMPORTANTE** : Utilice SÓLO las mangueras de entrada facilitadas por LG con este producto. El uso de otro tipo de mangueras no garantiza un ajuste o funcionamiento correcto. En ese caso, podrían no ajustar debidamente y esto podría conllevar fugas. Cualquier daño posterior en el producto o en la propiedad no estará cubierto por los términos de la garantía de LG.
- La presión del suministro de agua debe estar comprendida entre 14,5 psi y 116 psi (100 a 800 kPa). Si la presión del suministro de agua es superior a 116 psi, debe instalarse una válvula de reducción de presión.
- Revise periódicamente las mangueras en busca de grietas o fugas, y desgaste, y cámbielas tras 5 años.
- Asegúrese de que las líneas de agua no están en tensión, pinzadas, aplastadas o deformadas.
- La lavadora nunca debería instalarse o guardarse en un lugar expuesto a bajas temperaturas. Pueden provocarse daños en las líneas de agua y en los mecanismos internos de la lavadora. Si la lavadora ha estado expuesta a bajas temperaturas antes de su instalación, déjela a temperatura ambiente durante varias horas antes de utilizarla.

- 1 Inspeccione el accesorio roscado de cada manguera y verifique que haya un sello de goma en ambos extremos.



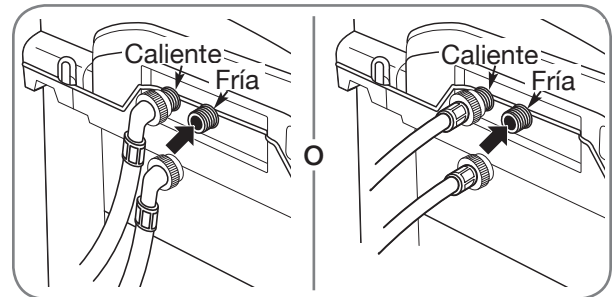
- 2 Conecte las mangueras de agua a la stomas de la casa. Conecte las mangueras de agua a las válvulas de agua CALIENTE y FRÍA de su casa. Apriete con la mano y después dé una vuelta 1/4 más con ayuda de los alicates.

**NOTA:** Calentador de agua configurado para suministrar agua a 49°C (120°F) a la lavadora.



**NOTA:** Para evitar que se acumule el detergente y pueda atascar el filtro de la válvula de entrada, enjuague bien con agua ambas caras y la manguera para retirar las partículas o impurezas en un recipiente.

- 3 Acople de las mangueras de agua a la lavadora. Enrosque la manguera de agua caliente a la conexión de agua caliente de la lavadora (rojo) y la manguera de agua fría a la conexión de agua fría (azul). Apriete con la mano y después dé una vuelta 1/8 adicional con ayuda de los alicates.

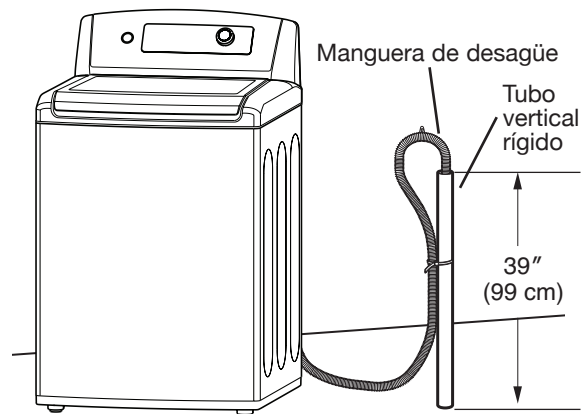


**NOTA:** No apriete en exceso los conectores de la manguera. Acople la línea de agua caliente a la entrada de agua caliente de color rojo en la parte trasera de la lavadora. Acople la línea de agua fría a la entrada de agua fría de color azul en la parte trasera de la lavadora. Apriete las conexiones con firmeza.

**NOTA:** Apriete las conexiones con firmeza. Abra los grifos de agua en su totalidad para comprobar que no haya ninguna fuga.

## CONEXIÓN DE LA MANGUERA DE DESAGÜE

- La manguera de desagüe debe colocarse siempre correctamente. La colocación incorrecta de la manguera de desagüe puede conllevar a daños en el suelo y en la propiedad.
- No coloque el extremo de la manguera de desagüe a más de 243,8 cm (96 pulg.) por encima de la base de la lavadora.
- El drenaje del agua debe instalarse conforme a los códigos y normativas locales aplicables.
- Asegúrese de que las líneas de agua no están en tensión, pinzadas, aplastadas o deformadas.



# INSTRUCCIONES DE INSTALACIÓN

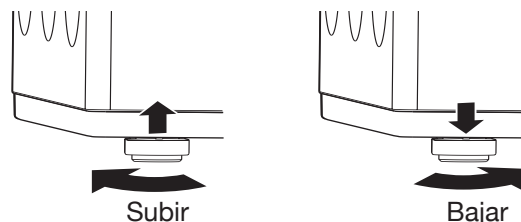
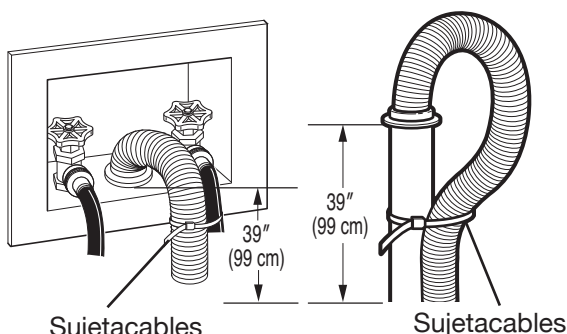
## CONEXIÓN DE LA MANGUERA DE DESAGÜE (cont.)

Introduzca con firmeza el otro extremo de la manguera de desagüe en la entrada de desagüe de su casa. Asegúrese de que el extremo de goma menos rígido quede completamente insertado en la entrada de desagüe.

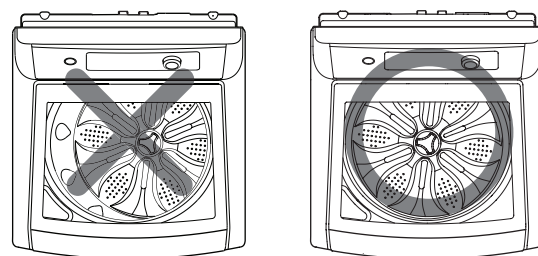
- Si las válvulas de agua y drenaje están insertadas en la pared, fije la manguera de desagüe a una de las mangueras de agua; para ello, utilice un sujetacables (el lado acanalado en la parte interior).
- Si su drenaje es un tubo vertical rígido, fije el tubo de drenaje a dicho tubo vertical; para ello, utilice el sujetacables facilitado.

### NOTA:

- La altura total del extremo de la manguera debe ser de aproximadamente (0,9 a 1,2 m) (35 a 47 pulg.) en relación al suelo.
- La manguera de desagüe no debe insertarse más de 8-12 pulgadas en el tubo vertical.



- 2 Ajuste el 2 frontales patas niveladoras. Gire hacia la derecha para subir la lavadora o hacia la izquierda para bajarla.



- 3 Para asegurarse de que la lavadora está nivelada correctamente, abra la cubierta y mire desde arriba para ver si es lo mismo que se muestra desde al arriba. Si tiene un nivel, compruebe la nivelación exacta de la lavadora.
  - Para comprobar si está nivelada de un lado a otro, cerrar la tapa y coloque un nivel en la parte trasera de la tapa.
  - Para comprobar si está nivelada de la parte delantera a la trasera, coloque un nivel a un lado de la lavadora en el borde donde el lado de la estructura coincide con la cubierta superior.

## NIVELADO DE LA LAVADORA

La lavadora centrifuga a velocidades muy elevadas, de hasta 1100 rpm.

**NOTA:** Ajuste el pie de nivelación sólo si es preciso para nivelar la lavadora.

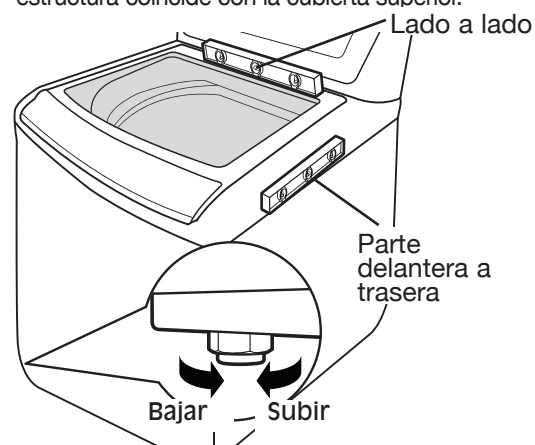
La lavadora puede vibrar si extiende el pie de nivelación más de lo necesario.

- Los cuatro pies de nivelación deben apoyarse con firmeza en el suelo.

Balancee la lavadora con cuidado apoyándose en un lado y otro, para comprobar si está debidamente equilibrada.

**NOTA:** Antes de instalar la lavadora, asegúrese de que el suelo está limpio, seco y sin polvo, suciedad, agua o restos de aceite para evitar que el pie de apoyo de la lavadora se deslice fácilmente. Si el pie de nivelación se mueve o desliza por el suelo contribuirá a que haya más vibración y ruido debido a la falta de contacto con el suelo.

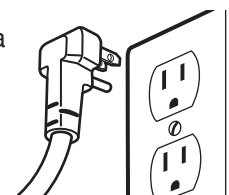
- 1 Coloque la lavadora en su posición final, teniendo cuidado de no pinzar, forzar o aplastar las líneas de agua y desagüe. Coloque un nivel en la parte superior de la lavadora.



Si la lavadora no está nivelada, ajuste los pies de apoyo frontales. Gire hacia la derecha para subir o hacia la izquierda para bajar.

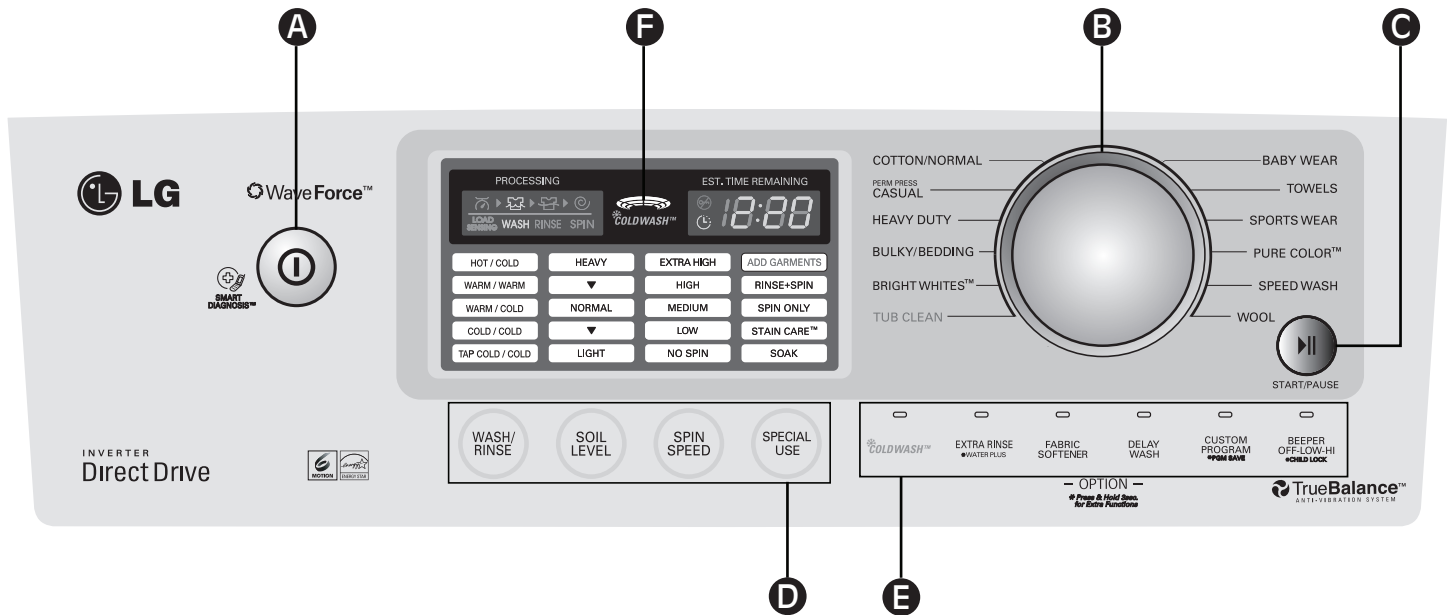
## CONECTAR AL TOMACORRIENTE

La lavadora debe conectarse a una toma de 120V AC, 60Hz y 3 púas de puesta a tierra. Conecte la lavadora.



# FUNCIONAMIENTO

## CARACTERÍSTICAS DEL PANEL DE CONTROL



ESPAÑOL

### **A** BOTÓN DE ENCENDIDO/APAGADO

Pulse para encender la lavadora. Pulse de nuevo para apagarla.

**NOTA:** Si la arandela permanece inactiva durante 4 minutos tras apagar la lavadora, el agua del tambor se drenará.

**NOTA:** Sonará una alarma 1 minuto antes del vaciado de agua y aparecerá "dr" en la pantalla. Puede reiniciar la lavadora en este momento. Sin embargo, una vez que la lavadora haya iniciado el vaciado de agua, todas las funciones se suspenderán y se mostrará "dr" hasta que el vaciado de agua haya terminado.

### **B** BOTÓN DE SELECCIÓN DE CICLO

Gire este botón para seleccionar el ciclo que desee. Una vez seleccionado el ciclo, se mostrarán en la pantalla los preajustes estándar. Dichos ajustes se pueden modificar mediante los botones de configuración de ciclo antes de iniciar el lavado.

### **C** BOTÓN DE INICIO/PAUSA

Pulse este botón para el INICIO del ciclo seleccionado. Si la lavadora está en funcionamiento, utilice este botón para la PAUSA del ciclo sin perder los ajustes establecidos.

**NOTA:** Si no pulsa el botón de INICIO/PAUSA en 4 minutos como máximo después de seleccionar el ciclo, la lavadora se apagará automáticamente.

**NOTA:** Si la lavadora permanece inactiva durante 8 minutos después de la pausa del ciclo, el tambor se vaciará de agua.

### **D** BOTONES DE MODIFICACIÓN DE CICLO

Utilice estos botones para seleccionar las opciones que desea aplicar al ciclo seleccionado. Pulse el botón para ese ajuste hasta que el indicador luminoso del valor deseado se ilumine.

### **E** BOTONES DE OPCIONES

Estos botones le permiten seleccionar opciones de ciclo adicionales que se iluminarán cuando los seleccione. Ciertos botones también le permiten activar funciones específicas al pulsar durante 3 segundos el botón. Para información detallada sobre opciones individuales, consulte las páginas siguientes.

### **F** PANTALLA LED

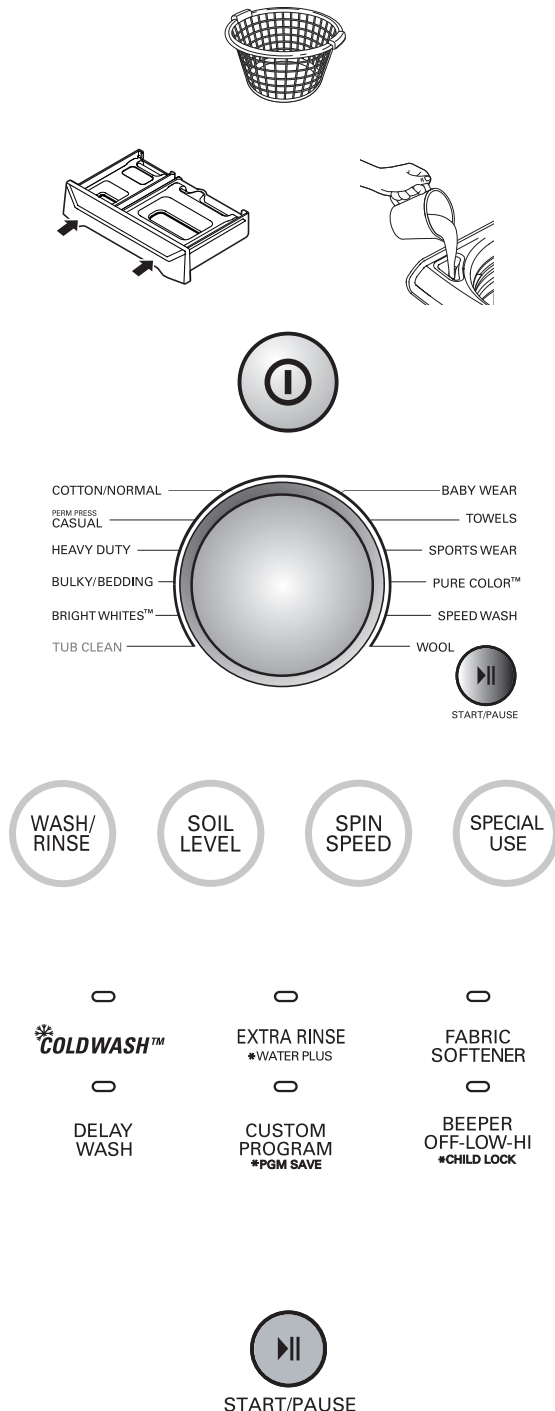
La pantalla muestra la configuración, el tiempo estimado restante, las opciones y los mensajes de estado de su lavadora. La pantalla permanecerá encendida durante el ciclo.

# FUNCIONAMIENTO

## FUNCIONAMIENTO DE LA LAVADORA

**⚠️ ADVERTENCIA:** Para reducir el riesgo de incendio, descarga eléctrica o daños a personas al utilizar el electrodoméstico, siga las precauciones básicas, incluidas las siguientes:

Después de introducir la ropa en la lavadora y tras añadir los productos de lavado (detergente, blanqueador y/o suavizante):



- 1 **ELIJA LA ROPA A LAVAR Y LA CARGA.**  
Consulte la página 16.
- 2 **AÑADA DETERGENTE.**  
Consulte las páginas 17-18.
- 3 **ENCIENDA LA LAVADORA.**  
Pulse el botón de ENCENDIDO/APAGADO para encender la lavadora. Se iluminarán las luces alrededor del botón de selección de ciclo.
- 4 **SELECCIONE UN CICLO.**  
Gire el botón de selección de ciclo al ciclo deseado. La pantalla mostrará la temperatura de LAVADO/ENJUAGUE predeterminada, el NIVEL DE SUCIEDAD, la VELOCIDAD DE CENTRIFUGADO para ese ciclo.
- 5 **SELECCIONE UN BOTÓN DE MODIFICACIÓN DE CICLO.**  
Si quiere cambiar el modificador de ese ciclo, pulse el/ los botone/s de configuración de ciclo correspondiente/s hasta que se ilumine el indicador del valor deseado.  
**NOTA:** Para proteger sus prendas, no todas las temperaturas de lavado/enjuague, la velocidad de centrifugado, el nivel de suciedad o las opciones están disponibles en cada ciclo.
- 6 **SELECCIONE LOS BOTONES DE OPCIONES.**  
Seleccione cualquier opción de ciclo adicional, como SUAVIZANTE o RETRASAR LAVADO pulsándola.  
**NOTA:** Para proteger sus prendas, no todas las temperaturas de lavado/clarado, la velocidad de centrifugado, el nivel de suciedad o las opciones están disponibles en cada ciclo.
- 7 **INICIE EL CICLO.**  
Pulse el botón de INICIO/PAUSA para iniciar el ciclo. Se cerrará la puerta, la pantalla cambiará y la lavadora iniciará el cálculo del tiempo estimado restante. Una vez calculado el tiempo total estimado para el ciclo, la lavadora se pondrá en funcionamiento. Para pausar el ciclo en cualquier momento, pulse PAUSA. Para reanudar el ciclo desde donde se ha detenido, pulse de nuevo INICIO/PAUSA.

**NOTA:** Cuando finalice el proceso, se escuchará la alarma (si está activada) a la vez que se desbloquea la puerta. Para evitar las arrugas, saque la ropa de la lavadora lo antes posible una vez finalizado el ciclo.

**NOTA:** La fuerza de las olas está disponible con más de 8 kilos de carga de ALGODÓN / NORMAL ciclos de PESADOS.



# FUNCIONAMIENTO

## GUÍA DE CICLOS

La siguiente guía de ciclos muestra las opciones y los tipos de prendas que se recomiendan para cada ciclo.  =Ajuste predeterminado

Ciclo	Tipo de prenda	Lavado/Enjuague	Nivel de suciedad	Velocidad de centrifugado	Stain Care™	Lavado en Frio™	Aclarado adicional	Suavizante	RETRASAR LAVADO
Tub Clean (Limpieza de cuba)	Consulte la página 24.			Alto					<input type="checkbox"/>
Bright Whites™	Prendas blancas	Caliente/Frío	Alto	Medio			<input type="checkbox"/>	<input type="checkbox"/>	<input type="checkbox"/>
		Frío Ficha/Frío	Bajo Normal	Alto			<input type="checkbox"/>	<input type="checkbox"/>	<input type="checkbox"/>
		Frío/Frío		Muy alto			<input type="checkbox"/>	<input type="checkbox"/>	<input type="checkbox"/>
Bulky/Bedding (Voluminosos/ Ropa de cama)	Prendas grandes como mantas o edredones	Templado/Frío	Normal	Medio			<input type="checkbox"/>	<input type="checkbox"/>	<input type="checkbox"/>
		Templado/Templado	Alto	Alto			<input type="checkbox"/>	<input type="checkbox"/>	<input type="checkbox"/>
		Caliente/Frío	Bajo	Muy alto			<input type="checkbox"/>	<input type="checkbox"/>	<input type="checkbox"/>
* Utilice el ciclo Bulky/Bedding (Voluminoso / ropa de cama) para artículos como almohadas, edredones y otros artículos que tengan problemas para absorber el agua. LAVE SOLAMENTE CARGAS PEQUEÑAS para asegurarse de que queda sitio para que la carga se mueva durante el lavado. Agrupe los artículos similares, no mezcle artículos voluminosos con pequeñas prendas. No seguir estas instrucciones puede causar daños en las prendas o a la lavadora.									
Heavy Duty (Muy sucio)	Prendas de algodón muy sucias	Templado/Frío	Alto	Alto			<input type="checkbox"/>	<input type="checkbox"/>	<input type="checkbox"/>
		Templado/Templado	Bajo Normal	Muy alto	<input type="checkbox"/>	<input type="checkbox"/>	<input type="checkbox"/>	<input type="checkbox"/>	<input type="checkbox"/>
Perm Press Casual (Planchado permanente Informal)	Camisas de etiqueta/ pantalones, ropa antiarrugas, ropa de poliéster/algodón, manteles	Caliente/Frío	Normal	Bajo			<input type="checkbox"/>	<input type="checkbox"/>	<input type="checkbox"/>
		Frío Ficha/Frío	Alto	Medio	<input type="checkbox"/>	<input type="checkbox"/>	<input type="checkbox"/>	<input type="checkbox"/>	<input type="checkbox"/>
Cotton/Normal (Algodón/Normal)	Algodón, lino, toallas, camisas, vaqueros, cargas mixtas	Templado/Templado	Bajo	Alto			<input type="checkbox"/>	<input type="checkbox"/>	<input type="checkbox"/>
		Frío Ficha/Frío	Alto	Muy alto	<input type="checkbox"/>	<input type="checkbox"/>	<input type="checkbox"/>	<input type="checkbox"/>	<input type="checkbox"/>
Baby Wear (Ropa de bebe)	Prendas pequeñas y ligeramente sucias; específico para usuarios de piel sensible.	Templado/Frío	Normal	Alto			<input type="checkbox"/>	<input type="checkbox"/>	<input type="checkbox"/>
		Caliente/Frío	Normal	Muy alto	<input type="checkbox"/>	<input type="checkbox"/>	<input type="checkbox"/>	<input type="checkbox"/>	<input type="checkbox"/>
Towels (Toallas)	Toallas, camisas, sábanas, vaqueros, cargas mixtas	Templado/Templado	Bajo	Alto			<input type="checkbox"/>	<input type="checkbox"/>	<input type="checkbox"/>
		Frío Ficha/Frío	Alto	Muy alto	<input type="checkbox"/>	<input type="checkbox"/>	<input type="checkbox"/>	<input type="checkbox"/>	<input type="checkbox"/>
Sports Wear (Ropa deportiva)	Ropa de deporte variada	Templado/Frío	Normal	Medio			<input type="checkbox"/>	<input type="checkbox"/>	<input type="checkbox"/>
		Frío/Frío	Alto	Alto	<input type="checkbox"/>	<input type="checkbox"/>	<input type="checkbox"/>	<input type="checkbox"/>	<input type="checkbox"/>
Pure Color™	Ropa de color y ligeramente sucia	Templado/Templado	Bajo	Alto			<input type="checkbox"/>	<input type="checkbox"/>	<input type="checkbox"/>
		Frío Ficha/Frío	Alto	Muy alto	<input type="checkbox"/>	<input type="checkbox"/>	<input type="checkbox"/>	<input type="checkbox"/>	<input type="checkbox"/>
Speed Wash (Lavado Rápido)	Cargas poco sucias y pequeñas	Templado/Frío	Normal	Medio			<input type="checkbox"/>	<input type="checkbox"/>	<input type="checkbox"/>
		Frío/Frío	Alto	Muy alto	<input type="checkbox"/>	<input type="checkbox"/>	<input type="checkbox"/>	<input type="checkbox"/>	<input type="checkbox"/>
Wool (Lana)	Prenda etiquetada como lana lavable en lavadora (menos de 8 libras)	Templado/Templado	Bajo	Alto			<input type="checkbox"/>	<input type="checkbox"/>	<input type="checkbox"/>
		Frío Ficha/Frío	Normal	Medio	<input type="checkbox"/>	<input type="checkbox"/>	<input type="checkbox"/>	<input type="checkbox"/>	<input type="checkbox"/>
		Frío/Frío	Alto	Sin centrifugado			<input type="checkbox"/>	<input type="checkbox"/>	<input type="checkbox"/>

**NOTA:** Para proteger sus prendas, no todas las temperaturas de lavado/enjuague, la velocidad de centrifugado, el nivel de suciedad o las opciones están disponibles en cada ciclo.

# FUNCIONAMIENTO

## CLASIFICACIÓN DE LAS CARGAS DE LAVADO

### ⚠ PRECAUCIÓN:

- **No llevar objetos en la bañera.**  
El incumplimiento de esta advertencia puede resultar en pérdida o daño a los tejidos.
- **Use el ciclo de voluminosos / ropa de cama para flotantes o no absorbentes, como una almohada o una manta.**  
El incumplimiento de esta advertencia puede provocar fugas.  
**No lave o seque por centrifugado ningún artículo etiquetado o que se sabe que es a prueba de agua o resistente al agua, aún cuando la etiqueta de cuidados del producto permita usar lavadora.** El no seguir estas instrucciones puede resultar en lesiones corporal, daño severo para sus prendas, su lavadora y/o propiedad como resultado de la vibración anormal de la lavadora.  
- Ejemplos de artículos a prueba de agua o resistente al agua incluyen ciertos tapetes para colchón, fundas para colchones, equipo para la lluvia, equipo para acampar, ropa para esquiar, equipo para exteriores y artículos similares.

### Etiquetas acerca del cuidado de las prendas

En la mayoría de los artículos de ropa se incluyen etiquetas con instrucciones para un cuidado correcto.

**Etiquetas acerca del cuidado de las prendas**

Ciclo de lavado			
	Normal	Resistente a las arrugas	Delicada
	lavado a mano		
lavado a mano		no lave	No escurrir
Temperatura			
	Caliente	Templado	Frio
	Blanqueador Símbolos		
Cualquier blanqueador (Cuando sea necesario)		Sólo no cloro blanqueador (Cuando sea necesario)	No blanqueador

### Agrupación de prendas similares

Para obtener unos resultados óptimos, clasifique la ropa en cargas que puedan lavarse en el mismo ciclo de lavado. Las prendas que sean diferentes precisarán de un tratamiento distinto. Lave siempre los colores oscuros separados de los claros para evitar que se destiñan. Si es posible, no lave prendas muy sucias con otras que no lo estén tanto. El siguiente cuadro muestra algunas recomendaciones al respecto.

### Clasificación de la ropa a lavar...

por color:	por suciedad:	por tela:	con/sin pelusa:
Ropa blanca	Alto	Delicada	Desprende pelusa
Ropa clara	Normal	Easy Care	Capta pelusa
Ropa oscura	Bajo	Resistente	

### Carga de la lavadora



La lavadora determinará automáticamente el tamaño de la carga. Debido al sistema de lavado de alto rendimiento, el nivel de agua no cubrirá completamente la carga. Si desea introducir prendas una vez iniciado el lavado, pulse el botón de pausa, levante la cubierta, introduzca las prendas y ciérrela de nuevo. Pulse el botón de inicio. Consulte la página 20.

- **Revise todos los bolsillos para asegurarse de que están vacíos. Cualquier objeto como clips, cerillas, bolígrafos, monedas o llaves puede dañar tanto la lavadora como la ropa.**
- Cierre las cremalleras, enganches y cordones para prevenir que se enganchen o enreden con otras prendas.
- Trate previamente las áreas muy sucias para obtener los mejores resultados.
- Las prendas grandes no deberían ocupar más de la mitad de la carga total.
- No lave prendas que contengan materiales inflamables (ceras, productos de limpieza, etc.)
- La lavadora no iniciará ningún proceso mientras la cubierta esté abierta.
- \* **IMPORTANTE:** Use el ciclo de artículos voluminosos/ropa de cama (Bulky/Bedding) para estos artículos. Estos elementos pueden no ser tan absorbentes como otras prendas de colada y deben colocarse en una carga de lavado independiente para obtener unos óptimos resultados.

## SELECCIÓN DEL DETERGENTE

**IMPORTANTE :** Su lavadora está pensada para utilizarse sólo con detergentes de alta eficacia (denominados "HE"). Este tipo de detergentes está pensado específicamente para las lavadoras de carga en la parte superior y contiene propiedades que reducen la espuma. Cuando compre el detergente, busque siempre el símbolo "HE". Los detergentes "HE" producen menos espuma, se disuelven más fácilmente para mejorar el lavado y aumentar el rendimiento y además, ayudan a mantener el interior de su lavadora limpio. El uso de otro detergente puede generar demasiada espuma y ofrecer un rendimiento menos satisfactorio.

**IMPORTANTE :** No coloque ni deje los productos de la lavadora, tales como detergente, blanqueador o líquido suavizante sobre la lavadora o secadora. Limpie de inmediato cualquier resto que pueda derramarse. Estos productos pueden dañar el acabado y los botones de la lavadora.



Diseñado específicamente para el uso con detergentes de alta eficacia (tipo "HE").

## ACERCA DEL DISPENSADOR

El dispensador automático consta de dos compartimentos destinados para:

- El líquido suavizante.
- El detergente líquido o en polvo.

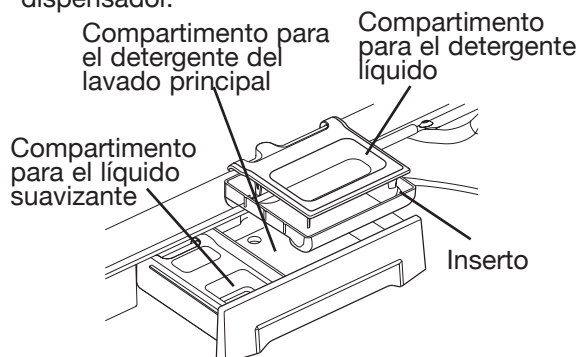
El detergente líquido o en polvo. Los productos de lavado se pueden añadir al mismo tiempo en los respectivos compartimentos del dispensador. Éstos se distribuirán en el momento adecuado para garantizar mayor eficacia en la limpieza. Después de añadir los productos correspondientes en el dispensador, ciérralo.

Para añadir detergente, blanqueador o suavizante en el dispensador automático:

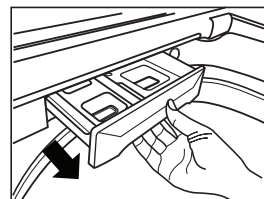
- 1 Abra el cajón dispensador.
- 2 Añada los productos de lavado en los compartimentos correspondientes.
- 3 Cierre lentamente el cajón dispensador para evitar que éstos se dispensen antes de tiempo.

**NOTA:** Es normal que quede un poco de agua en los compartimentos del dispensador al finalizar el ciclo.

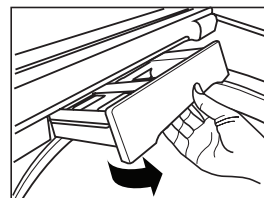
**NOTA:** No utilice blanqueador en el cajón dispensador.



### Retirar el cajón de detergente

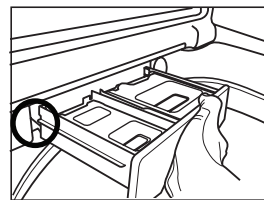


- 1 Tire del cajón de detergente.

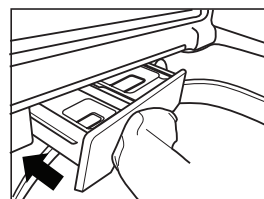


- 2 Inclínelo hacia arriba y retírelo.

### Vuelva a colocar el cajón de detergente



- 1 Coloque el raíl ② (raíl del cajón de detergente) en la parte superior del raíl ①.



- 2 Empuje el cajón firmemente.

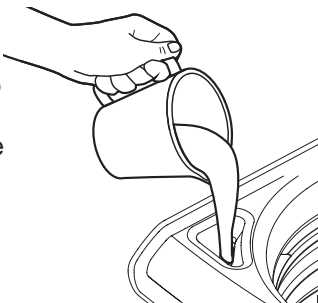
**NOTA:** Tenga cuidado de no pellizcarse los dedos.

# FUNCIONAMIENTO

## CARGA DEL DISPENSADOR

### Uso de la lejía líquida en el dispensador

El dispensador de cloro automáticamente diluye y distribuye cloro líquido en el momento adecuado en el ciclo de lavado.



- 1 Compruebe las instrucciones especiales de las etiquetas de cuidado de ropa.
- 2 Mida el cloro líquido con cuidado, siguiendo las instrucciones de la botella
  - Nunca vierta cloro puro líquido directamente sobre la ropa o en la canasta de lavado.
  - No verter cloro en polvo en el dispensador de cloro. No coloque objetos sobre el dispensador de lejía al cargar o descargar la lavadora.
  - Evite llenar demasiado o salpicaduras cuando se agrega cloro para el depósito. La capacidad máxima del dispensador de lejía es una taza por ciclo de lavado. Si lo llena demasiado, la lavadora podría liberar la lejía antes del momento adecuado. por ciclo de lavado.
- 3 Antes de iniciar el lavado, vierta la cantidad medida de cloro directamente en el dispensador de cloro. Si usted prefiere usar cloro en polvo, añádale al cesto de lavado directamente antes de agregar la ropa.

**NOTA:** Enjuague el dispensador de lejía con agua tras el uso y enjuague los residuos utilizando el ciclo Rinse & Spin (Enjuagado y Centrifugado).

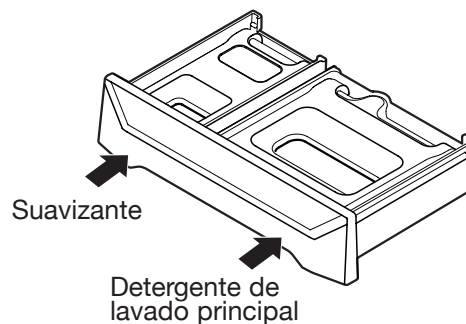
**⚠️ ADVERTENCIA:** No mezclar el blanqueador clorado con amoníaco o ácidos como vinagre u otros productos para eliminar el óxido y otro tipo de suciedades. Mezclar productos químicos como estos puede producir gas que podría causar la muerte. Añada en el dispensador del blanqueador la cantidad de blanqueador clorado líquido y sin diluir recomendado por el fabricante. Durante la parte final del ciclo de lavado, el blanqueador saldrá completamente del dispensador en dos pasos sucesivos aplicándose a la ropa, con un aclarado final del dispensador para evitar que queden restos y afecten a lavados sucesivos. El líquido que queda en el dispensador al final del ciclo es agua, no blanqueador. Para evitar la salida no intencionada de blanqueador, nunca añada más producto del indicado en el nivel máximo del dispensador.

Al añadir blanqueador en el dispensador, tenga cuidado para evitar que se derrame en la ropa e igualmente evite que caiga alrededor del dispensador. Esto podría dañar la ropa que va a lavar.

### Compartimiento principal del lavado con detergente

Este compartimiento tiene detergente para el ciclo de lavado principal, que se añade a la carga en el inicio del ciclo. Utilice siempre detergente HE (alta eficiencia) en su lavadora. Nunca exceda las recomendaciones del fabricante al añadir el detergente. El uso de demasiado detergente puede dar lugar a la acumulación de detergente en la ropa y en la lavadora. Puede ser utilizado cualquier detergente en polvo o líquido.

- Cuando se use detergente líquido, asegúrese de que la taza de detergente líquido y pieza de inserción en su lugar. No exceda la línea de llenado máximo.
- Cuando se utiliza un detergente en polvo, quite la pieza de inserción y retire la taza de detergente líquido del compartimiento. El detergente en polvo no se dispensará con la taza del detergente líquido y la pieza de inserción en su lugar.



### Compartimiento del detergente

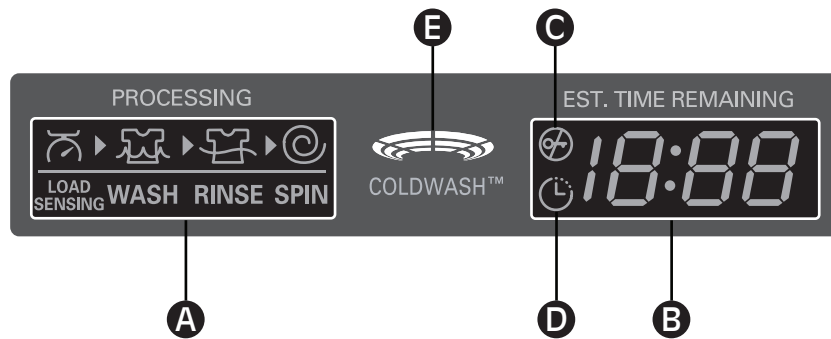
Este compartimiento contiene el suavizante líquido, que se dispensa de forma automática durante el ciclo de enjuague final.

- Siga siempre las recomendaciones del fabricante al añadir suavizante. No exceda la línea de llenado máximo. El uso de suavizante en exceso puede dar lugar a ropa manchada.
- Diluya los suavizantes concentrados con agua tibia. No exceda la línea de llenado máximo.
- Nunca vierta el suavizante directamente sobre la carga o el tambor.

# FUNCIONAMIENTO

## PANTALLA LED

La pantalla LED muestra la configuración, el tiempo estimado restante, las opciones y los mensajes de estado de su lavadora. Cuando encienda la lavadora, se iluminará la pantalla.



### **A** INDICADOR DE FINALIZACIÓN DE CICLO

Esta parte de la pantalla muestra qué parte del ciclo de lavado está en curso (DETERMINACIÓN DE CARGA, LAVADO, ENJUAGUE o CENTRIFUGADO).

### **B** TIEMPO RESTANTE ESTIMADO

Al pulsar el botón de INICIO/PAUSA, la lavadora detecta automáticamente la carga (peso) del lavado y optimiza el tiempo de lavado según el ciclo y las opciones seleccionadas.

La pantalla indicará entonces el tiempo restante estimado para el ciclo de lavado seleccionado.

### **C** INDICADOR DE BLOQUEO DE PUERTA

Indica que la puerta está bloqueada. La puerta de la lavadora se bloqueará mientras la lavadora esté en funcionamiento. La puerta se puede desbloquear pulsando el botón de INICIO/PAUSA para detener la lavadora.

### **D** INDICADOR DE RETRASO DE LAVADO

Este indicador muestra que la lavadora se ha configurado en RETRASAR LAVADO. La lavadora se iniciará automáticamente una vez transcurrido el tiempo de retraso establecido.

### **E** COLDWASH™

Este indicador enciende la luz en 10 ciclos. En estos ciclos se ahorra energía ya que se utiliza agua fría.

# FUNCIONAMIENTO

## BOTONES DE MODIFICACIÓN DE CICLO

Cada ciclo tiene ajustes predeterminados que se seleccionan automáticamente. También puede personalizar dichos ajustes utilizando los botones de configuración de ciclo. Pulse el botón para ese ajuste hasta que el indicador luminoso del valor deseado se ilumine.

La lavadora ajusta automáticamente el nivel de agua según el tipo y el tamaño de la carga a fin de obtener unos resultados óptimos y máxima eficacia. Puede que parezca que, en algunos ciclos, no hay agua en la lavadora pero esto es normal.

**NOTA:** Para proteger sus prendas, no todas las temperaturas de lavado/enjuague, la velocidad de centrifugado, el nivel de suciedad o las opciones están disponibles en cada ciclo. Se escuchará un sonido y la pantalla LED no se encenderá si no se permite una selección. Consulte la Guía de ciclos en la página 15 para más información.

### WASH/RINSE (LAVADO/ENJUAGUE)



Ajuste para seleccionar la temperatura adecuada del agua según el ciclo de lavado. Comprende la temperatura de lavado y la temperatura de enjuague.

- Seleccione la temperatura adecuada para el agua según el tipo de ropa a lavar. Para unos resultados óptimos, siga las indicaciones detalladas en la etiqueta de la prenda.

- En los aclarados con agua templada la ropa queda más seca que cuando se utiliza agua fría. En los enjuagues con agua templada aparecen más arrugas.
- En ambientes fríos, los enjuagues con agua templada hacen que la ropa se manipule con mayor comodidad.
- En los aclarados con agua fría se consume menos energía.
- Para obtener unos resultados óptimos utilice agua caliente y fría.

### SOIL LEVEL (NIVEL DE SUCIEDAD)



Ajuste el ciclo seleccionado para permitir una velocidad de movimiento mayor en la ropa más sucia y una velocidad menor en la ropa menos sucia durante el lavado y aclarado en curso. Pulse el botón de NIVEL DE SUCIEDAD hasta que el indicador luminoso del valor deseado se ilumine. Puede elegir entre Poco sucio Normal o Muy sucio.

- La luz no se mostrará en esta figura (▼).

### SPIN SPEED (VELOCIDAD DE CENTRIFUGADO)



El tambor de la lavadora centrifuga a un máximo de 1,100 rpm. Esto reduce el tiempo de secado y ahorra energía. Pulse el botón de VELOCIDAD DE CENTRIFUGADO hasta que el indicador luminoso del valor deseado se ilumine. Puede cambiar la velocidad de centrifugado máximo del centrifugado en curso. Algunas prendas, como las delicadas, requieren una velocidad de centrifugado inferior.

- Al seleccionar NO SPIN, la lavadora se apaga sin centrifugar después del vaciado de agua. (La duración del ciclo se reduce aproximadamente 10 minutos.)

### SPECIAL USE (USO ESPECIAL)



Seleccione cualquier opción adicional, como ENJUAGUE + CENTRIFUGADO, SÓLO CENTRIFUGADO, STAIN CARE™ o REMOJO

- Si pulsa el botón de USO ESPECIAL sin seleccionar un ciclo, se seleccionará de forma automática la opción ALGODÓN/NORMAL con REMOJO.

**NOTA:** Si pulsa el botón SPECIAL USE 3 ó 4 veces, el ciclo vuelve a comenzar por COTTON/NORMAL.

### ADD GARMENTS (AÑADIR PRENDAS)

Los productos se añaden a la carga en el momento adecuado durante el ciclo de lavado.

- AÑADIR PRENDAS se activa y desactiva automáticamente. No puede seleccionarlo pulsando el botón de USO ESPECIAL.
- Si añade prendas adicionales cuando la luz de AÑADIR PRENDAS esté apagada, puede causar un rendimiento inadecuado.

Cuando AÑADIR PRENDAS esté activado, la luz indicadora estará encendida.

- 1 Pulse el botón de INICIO/PAUSA para pausar la lavadora.
- 2 Abra la cubierta después de su desbloqueo.
- 3 Añada las prendas adicionales.
- 4 Cierre la cubierta.
- 5 Pulse el botón de INICIO/PAUSA para reanudar la lavadora.

**NOTA:** Si la puerta permanece abierta durante 8 minutos tras pausar el ciclo, el agua del tambor se drenará.

## BOTONES DE MODIFICACIÓN DE CICLO (cont.)

### RINSE + SPIN (ENJUAGUE + CENTRIFUGADO)

Utilice este ciclo para obtener un enjuague intenso seguido de un centrifugado a alta velocidad

- Puede cambiar la temperatura del enjuague y la velocidad del centrifugado pulsando los botones LAVADO/AENJUAGUE y VELOCIDAD DE CENTRIFUGADO.

- 1 Pulse el botón de encendido/apagado para encender la lavadora.
- 2 Pulse el botón de USO ESPECIAL hasta que se ilumine el indicador ENJUAGUE + CENTRIFUGADO. (La luz del ciclo se apagará).
- 3 Pulse el botón de INICIO/PAUSA para iniciar el ciclo. La lavadora se iniciará de forma automática.

### SPIN ONLY (SÓLO CENTRIFUGADO)

Este botón activa el ciclo Desagüe y Centrifugado para expulsar el agua de la lavadora y centrifugar la ropa.

- 1 Pulse el botón Encendido para encender la lavadora.
- 2 Pulse el botón USO ESPECIAL hasta que la luz del indicador SÓLO CENTRIFUGADO se encienda.
- 3 Pulse el botón INICIO/PAUSA para comenzar el ciclo. La lavadora se pondrá en funcionamiento automáticamente.

### STAIN CARE™ (CUIDADO DE MANCHAS)

Puede seleccionarse STAIN CARE™ como una opción con los ciclos HEAVY DUTY (alta resistencia), ALGODÓN/NORMAL y TOALLAS.

- Lave únicamente cargas pequeñas para conseguir un cuidado óptimo de los tejidos. (menos de 8 libras)
- 1 Pulse el botón de encendido/apagado para encender la lavadora.
  - 2 Pulse el botón de USO ESPECIAL hasta que se ilumine el indicador STAIN CARE™.
  - 3 Pulse el botón de INICIO/PAUSA para iniciar el ciclo. La lavadora se iniciará de forma automática.

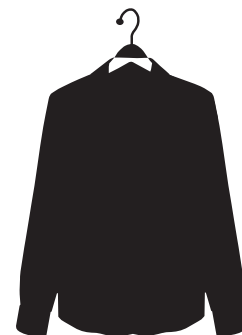
**NOTA:** Si selecciona STAIN CARE™, la opción COLDWASH™ no está disponible.

### SOAK (REMOJO)

Permite al usuario eliminar las manchas más fácilmente al especificar un tiempo adicional para que la ropa permanezca inmersa en el agua durante el lavado. Al final del remojo, se iniciará el ciclo de lavado sin desagüe.

- El tiempo del ciclo se puede aumentar en intervalos de 30 minutos.
- Es normal que la lavadora realice algún movimiento de giro durante este ciclo.

**NOTA:** No puede seleccionar la opción SOAK en el ciclo TUB CLEAN.



# FUNCIONAMIENTO

## BOTONES DE OPCIÓN DE CICLO

Su lavadora incluye varias opciones de ciclo adicionales para personalizar los ciclos adaptándolos a sus necesidades concretas. Ciertos botones de opciones también incluyen una función especial que se pueden activar pulsado durante 3 segundos esa opción.

**NOTA:** Para proteger sus prendas, no todas las temperaturas de lavado/enjuague, la velocidad de centrifugado, el nivel de suciedad o las opciones están disponibles en cada ciclo. Consulte la Guía de ciclos para más información.

### EXTRA RINSE (ENJUAGUE ADICIONAL)

EXTRA RINSE  
\*WATER PLUS

Esta opción añadirá un ciclo de enjuague adicional al ciclo seleccionado. Utilice esta opción para ayudar en la eliminación de los restos de detergente o blanqueador de las prendas.

Al pulsar dos veces el botón de ENJUAGUE ADICIONAL añadirá dos enjuagues adicionales al ciclo.

- 1 Pulse el botón de encendido/apagado para encender la lavadora.
- 2 Gire el botón de selección de ciclo para elegir el ciclo deseado.
- 3 Pulse los botones de modificación de ciclo para cambiar los ajustes deseados.
- 4 Pulse ENJUAGUE ADICIONAL,
  - Si quiere añadir dos enjuagues adicionales, pulse el botón de ENJUAGUE ADICIONAL dos veces.
  - Si quiere eliminar el enjuague adicional, pulse el botón de ENJUAGUE ADICIONAL tres veces.
- 5 Pulse el botón de INICIO/PAUSA para iniciar el ciclo.

**NOTA:** No puede seleccionar la opción EXTRA RINSE durante el ciclo de centrifugado.

### WATER PLUS (MÁS AGUA)

EXTRA RINSE  
\*WATER PLUS

Seleccione esta opción para añadir más agua a los ciclos de lavado y aclarado para obtener unos resultados óptimos, sobre todo con las prendas grandes y voluminosas. Pulse durante 3 segundos el botón de ENJUAGUE ADICIONAL para activar o desactivar MÁS AGUA.

- 1 Pulse el botón de INICIO/PAUSA durante el ciclo de lavado o aclarado. (No está disponible en el ciclo de centrifugado)
- 2 Presione y sostenga ENJUAGUE ADICIONAL.
- 3 Pulse el botón de INICIO/PAUSA para iniciar el ciclo.
- 4 Si quiere utilizar adicionalmente la opción MÁS AGUA, repita los pasos 1 a 3.

**NOTA:** Si la lavadora alcanza el nivel máximo de agua, aunque pulsemos el botón MÁS AGUA, éste no funcionará.

**NOTA:** No puede seleccionar la opción WATER PLUS durante los ciclos TUB CLEAN y BULKY/BEDDING.

### COLDWASH™

\*COLDWASH™

Utilice esta opción para evitar utilizar el acelerador de calefactor integrado.

Para una mayor eficiencia, lave únicamente cargas pequeñas (menos de 8 libras) y utilice la velocidad baja de centrifugado.

**NOTA:** Si selecciona STAIN CARE™, la opción COLDWASH™ no está disponible.

- 1 Pulse el botón de encendido/apagado para encender la lavadora
- 2 Gire el botón de selección de ciclo para elegir el ciclo deseado. (Consulte la página 15.)
- 3 Pulse el botón de COLDWASH™.
- 4 Pulse el botón de INICIO/PAUSA para iniciar el ciclo. La lavadora se iniciará de forma automática.

### FABRIC SOFTENER (SUAVIZANTE)

FABRIC  
SOFTENER

El suavizante se dispensa en el aclarado final. Seleccione el botón de SUAVIZANTE para cambiar el tipo de aclarado final de aclarado

por chorro a aclarado intenso.

**NOTA:** LG recomienda utilizar las opciones SUAVIZANTE o ENJUAGUE ADICIONAL al seleccionar los ciclos de ALGODÓN/NORMAL o MUY SUCIO.

**NOTA:** Si selecciona ENJUAGUE ADICIONAL en vez de SUAVIZANTE, el suavizante se dispensará durante el curso del enjuague adicional.



# FUNCIONAMIENTO

## BOTONES DE OPCIÓN DE CICLO (cont.)

### DELAY WASH (RETRASAR LAVADO)

DELAY  
WASH

Una vez haya seleccionado el ciclo y otros ajustes, pulse este botón para retrasar el inicio del ciclo de lavado. Cada vez que pulse el botón, aumentará el tiempo de retraso hasta un máximo de 19 horas.

### CUSTOM PROGRAM (PERSONALIZAR PROGRAMA)

CUSTOM  
PROGRAM  
\*PGM SAVE

PERSONALIZAR PROGRAMA le permite guardar un ciclo de lavado personalizado para su utilización posterior. Le permite guardar la temperatura favorita, la velocidad de centrifugado, el nivel de suciedad y otras opciones aplicables a un ciclo que después se activan con sólo pulsar un botón.

**NOTA:** Solo puede guardar un programa personalizado por vez. Pulse durante varios segundos el botón de PERSONALIZAR PROGRAMA para sobrescribir cualquier programa personalizado guardado previamente.

#### Para guardar un programa personalizado:

- 1 Presione el botón de encendido para accionar la lavadora.
- 2 Gire el botón de selección de ciclo para elegir el ciclo deseado.
- 3 Pulse los botones de modificación de ciclo para cambiar los ajustes deseados.
- 4 Pulse el botón de opción de ciclo para cambiar las opciones deseadas.
- 5 Pulse durante aprox. 3 segundos el botón de PERSONALIZAR PROGRAMA.

#### Para acceder a un programa personalizado:

- 1 Presione el botón de encendido para accionar la lavadora.
- 2 Pulse el botón PERSONALIZAR PROGRAMA. Se mostrarán los ajustes guardados.
- 3 Pulse el botón de INICIO/PAUSA para iniciar el ciclo. (Si pulsa cualquier otro botón, PERSONALIZAR PROGRAMA se desmarcará automáticamente a la vez que se apaga la luz indicadora).

### BEEPER (ALARMA ACÚSTICA)

BEEPER  
OFF-LOW-HI  
\*CHILD LOCK

Ajuste el volumen de la alarma de finalización de ciclo, o desactívela.

### CHILD LOCK (BLOQUEO INFANTIL)

BEEPER  
OFF-LOW-HI  
\*CHILD LOCK

Utilice esta opción para evitar el uso indeseado de la lavadora o para evitar que los ajustes del ciclo se modifiquen mientras la lavadora está en funcionamiento. Pulse durante 3 segundos el botón de la alarma para activar o desactivar el BLOQUEO INFANTIL.

La lavadora se puede bloquear durante un ciclo. Si se ha seleccionado BLOQUEO INFANTIL, la pantalla alternará entre CL y el tiempo restante del ciclo. Se desactivarán todos los controles excepto el botón de encendido/apagado y Bloqueo Infantil.

**NOTA:** CHILD LOCK (BLOQUEO INFANTIL) se mantiene después del fin del ciclo. Si desea desactivar esta función, presione y sostenga 3 segundos el botón BEEPER.

# CUIDADOS Y LIMPIEZA

## LIMPIEZA REGULAR

### ⚠️ ADVERTENCIA:

- **Desconecte la lavadora antes de la limpieza para evitar el riesgo de descarga eléctrica.** No seguir esta advertencia puede causar lesiones serias, un incendio, una descarga eléctrica o incluso la muerte.
- **Nunca use productos químicos abrasivos, limpiadores abrasivos o disolventes para limpiar la lavadora.** Dañarán el acabado.

#### Limpieza del exterior

El cuidado adecuado de su lavadora puede alargar su vida útil. El exterior de la máquina se puede limpiar con agua tibia y un detergente doméstico suave y no abrasivo.

Limpie inmediatamente los derrames con un paño suave y húmedo.

**IMPORTANTE:** No utilizar alcohol de quemar, disolventes, o productos similares.

Nunca use lana de acero o productos de limpieza abrasivos, ya que pueden dañar la superficie.

#### Cuidado y limpieza del Interior

Use una toalla o un paño suave para limpiar alrededor de la apertura de puerta de la lavadora y la puerta de vidrio. Elimine siempre los elementos de la lavadora tan pronto como se haya completado el ciclo. Dejar artículos húmedos en la lavadora puede causar arrugas y la transferencia de color y olor.

Esta lavadora tiene un ciclo especial, LIMPIAR TAMBOR, para quitar del interior la acumulación de residuos de detergente que puede ocurrir en la cuba de lavado o del tambor y conducir a moho u olor a humedad.

Ejecute el ciclo LIMPIAR TAMBOR periódicamente para eliminar la acumulación de detergentes y otros residuos.

#### Lea las instrucciones cuidadosamente antes de comenzar el ciclo de LIMPIAR TAMBOR.

- 1 Abra la puerta y quite la ropa del tambor de lavado.
- 2 Abra el cajón dispensador.
- 3 Añada cloro líquido o un limpiador de baño. Se pueden utilizar algunos limpiadores en polvo o en pastilla de bañera que se fabrican para este fin.  
(**NOTA:** No agregue ningún detergente o suavizante de ropa en el cajón cuando se utiliza LIMPIAR TAMBOR.)
  - **Si usa limpiador en polvo**  
Retire la taza de detergente líquido y añada más limpiador en polvo al compartimiento de lavado principal del cajón.
  - **Si usa limpiador en pastillas**  
Añada más pastillas limpiadoras en el tambor de lavado directamente.  
(**NOTA:** No agregue más limpiador en pastillas en el cajón.)
- 4 Cerrar el cajón y la puerta de la lavadora.
- 5 Seleccione LIMPIAR TAMBOR y pulse COMENZAR/PAUSA.

**NOTA:** Se recomienda que LIMPIAR TAMBOR debe repetirse cada mes. Si existe un olor a moho, ejecute LIMPIAR TAMBOR durante 3 semanas consecutivas. Después de que LIMPIAR TAMBOR está completado o cuando la lavadora no se usa, deje la puerta abierta a la lavadora para una mejor ventilación y secado del interior de la lavadora.

# CUIDADOS Y LIMPIEZA

## LIMPIEZA REGULAR (cont.)

### El almacenamiento de la lavadora

Si la lavadora no se va a utilizar durante un período prolongado de tiempo y se encuentra en un área que podría estar expuesta a temperaturas de bajo cero:

- 1 Apague el suministro de agua del grifo.
- 2 Desconecte las mangueras de suministro de agua y drene el agua de las mangueras.
- 3 Conecte el cable de alimentación a una toma eléctrica a tierra.
- 4 Agregue 1 galón de anticongelante no tóxico para vehículos recreativos (RV) al tambor vacío de la lavadora. Cierre la puerta.
- 5 Seleccione el ciclo de centrifugado y deje centrifugar la lavadora durante 1 minuto para drenar toda el agua.

**NOTA:** No se eliminará todo el anticongelante para vehículos recreativos.

- 6 Desconecte el cable de alimentación, seque el interior del tambor con un paño suave, y cierre la puerta.
- 7 Elimine las inserciones del dispensador. Drene el agua que haya quedado en los compartimentos y séquelos.
- 8 Guarde la lavadora en posición vertical.
- 9 Para quitar el anticongelante de la lavadora después de su almacenamiento, ejecute lavadora en un ciclo completo usando detergente. **¡No agregue ropa!**

### Extracción de acumulación de cal

Si usted vive en una zona con agua dura, se puede formar cal en los componentes internos de la lavadora. El uso de un ablandador de agua es recomendable en áreas con agua dura. Si se utiliza un descalcificador, asegúrese de que es apto para su uso en una lavadora, y ejecutar el ciclo de LIMPIAR TAMBOR antes de lavar la ropa. La acumulación de sarro y otras manchas ser quitados del tambor de acero inoxidable usando un limpiador de acero inoxidable.

No use lana de acero ni limpiadores abrasivos, ya que pueden dañar la superficie.

### Deje la cubierta abierta

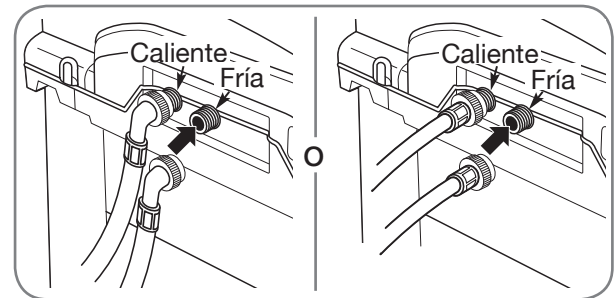
Deje la cubierta abierta una vez haya terminado el ciclo para mantener el tambor limpio.

## MANTENIMIENTO

### Limpieza de los filtros de entrada de agua

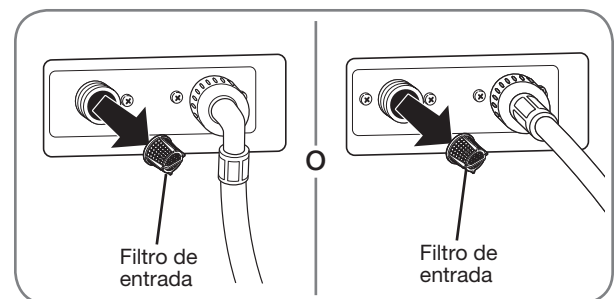
Si la lavadora detecta que el agua no está entrando en el dispensador, un mensaje de error se mostrará en la pantalla. Si usted vive en una zona con agua dura, esto puede ser causado por filtros de entrada obstruida.

**IMPORTANTE:** Tenga sumo cuidado al retirar y limpiar los filtros. Si los filtros no pueden ser limpiados o están dañados, no ponga en marcha la lavadora sin los filtros de entrada. Contacte con el servicio al cliente de LG o un prestador de servicios cualificado.



Apague los grifos de agua por completo. Desenrosque las líneas de agua fría y caliente de la parte posterior de la lavadora.

**IMPORTANTE:** Utilice únicamente la entrada de mangueras de LG con este producto de lavandería. Otras marcas de mangueras no están garantizadas para encajar o funcionar correctamente. Otras mangueras pueden no apretarse correctamente y podrían causar fugas. Los daños que afecten al producto o la propiedad no serán cubiertos bajo los términos de la garantía de LG.



Retire con cuidado los filtros de las tomas de agua y remójelos en vinagre blanco o un removedor de cal, siguiendo las instrucciones del fabricante. Enjuáguelos a fondo antes de reinstalarlos. Ponga los filtros en su lugar y vuelva a conectar las líneas de agua. La lavadora no funciona sin filtros de entrada.

# CUIDADOS Y LIMPIEZA

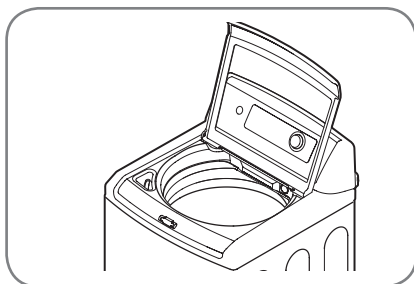
## LIMPIEZA DE LA LAVADORA

### Uso correcto de los detergentes

Usar demasiado detergente es una causa frecuente de problemas de lavandería. Hoy en día los detergentes están formulados para ser eficaces y sin espuma visible. Asegúrese de leer cuidadosamente y seguir las recomendaciones del fabricante sobre la cantidad de detergente para uso en su lavado.

Puede usar menos detergente si usted tiene agua suave, una carga menor o una carga poco sucia.

**NOTA:** Use sólo detergente de alta eficacia bajo en espuma, como Tide® HE.



### Cuidado y limpieza de la lavadora

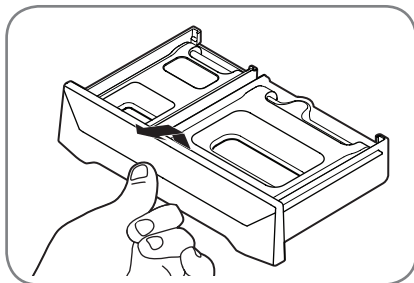
**Tapa:** Lave con un paño húmedo el exterior y el interior y seque con un paño suave.

**Exterior:** Limpie inmediatamente cualquier derrame. Límpielo con un paño húmedo. No toque la superficie o la pantalla con objetos afilados.

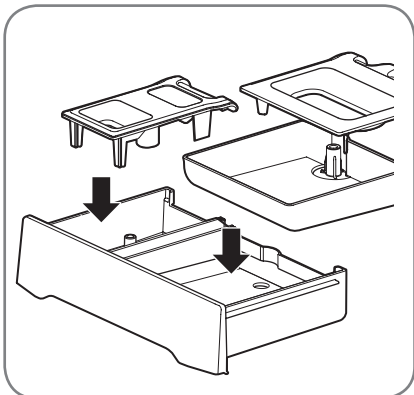
**Mudanza y almacenamiento:** Solicite al servicio técnico la eliminación del agua de la bomba de desagüe y de las mangueras. No instale ni almacene la lavadora en un lugar en el cual quede expuesta a las condiciones atmosféricas.

**Vacaciones largas:** Asegúrese de cerrar los grifos de abastecimiento de agua. Esguir toda el agua de las mangueras si el tiempo está bajo cero.

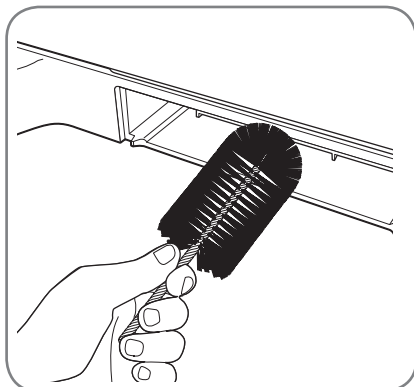
**Cajón dispensador:** El detergente y el suavizante pueden acumularse en el cajón dispensador. Los residuos deben de ser eliminados una o dos veces al mes.



**1** Retire el cajón tirando de él hacia afuera hasta que se detenga. Levante la parte delantera del cajón y tire de ella.



**2** Quite las inserciones de los 2 compartimentos; enjuague las inserciones y el cajón con el agua caliente para quitar rastros de productos de lavandería acumulados.



**3** Para limpiar la apertura del cajón, utilice un pequeño cepillo no metálico para limpiar la cavidad. Quite todos los residuos de la parte superior e inferior de la cavidad.

**4** Vuelva a colocar los insertos de los compartimentos adecuados y vuelva a colocar el cajón.

# RESOLUCIÓN DE PROBLEMAS

## Ruidos normales que puede escuchar

Los siguientes sonidos se pueden escuchar mientras que la lavadora está en funcionamiento. Son normales.

### Chasquidos:

- La cerradura de la puerta cuando el relé de la cerradura de la puerta se abre.
- La lavadora hará una serie de chasquidos mientras se cambia el modo de limpieza.

### Ruido de alta frecuencia:

La cesta de lavado gira más rápido para quitar la humedad de la carga.

### Pulverización o silbidos:

La pulverización de agua o circulación durante el ciclo.

### Zumbido o gorgoteo:

La bomba de desagüe de bombeo de agua de la lavadora al final de un ciclo.

### Sonido del agua salpicando:


Un líquido en el anillo de equilibrado de todo el tambor de lavado ayuda a la canasta a girar sin problemas. (La lavadora se apaga y el tambor gira.)

### El sonido del agua que se añade después de que la lavadora ya ha estado operando:

- La lavadora se adapta al tamaño y tipo de carga para añadir más agua en el ciclo, según sea necesario.
- La carga de lavado puede estar desequilibrada. Si la lavadora detecta que la carga está desequilibrada, se parará y rellenará para redistribuir la carga.
- La lavadora puede diluir los aditivos de lavandería para añadirlos a la carga de lavado.

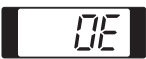
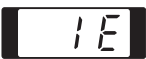


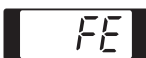
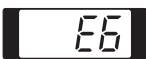
## ANTES DE SOLICITAR ASISTENCIA TÉCNICA

Su lavadora está equipada con un sistema de control de error automático para detectar y diagnosticar problemas en una etapa temprana. Si la lavadora no funciona correctamente o no funciona en absoluto, compruebe lo siguiente antes de llamar al servicio técnico.

Problema	Causas posibles	Soluciones
<b>Agitación provocando ruido</b>	<ul style="list-style-type: none"> <li>• Los objetos extraños, tales como llaves, monedas o alfileres de seguridad, puede estar en el tambor o en la bomba.</li> </ul>	<ul style="list-style-type: none"> <li>• Pare la lavadora y compruebe si hay objetos extraños en el tambor o en el filtro de drenaje. Si el ruido continúa después de que se reinicie la lavadora, llame al servicio técnico.</li> </ul>
<b>Sonido de golpes</b>	<ul style="list-style-type: none"> <li>• Lavar cargas pesadas puede producir un sonido de golpes.</li> <li>• La carga de la lavadora puede estar desequilibrada.</li> </ul>	<ul style="list-style-type: none"> <li>• Esto es normal. Si el sonido continúa, la lavadora lavadora está, probablemente, mal equilibrada. Detener y redistribuir la carga de lavado.</li> <li>• Detener y redistribuir la carga de lavado.</li> </ul>
<b>Ruido de vibración</b>	<ul style="list-style-type: none"> <li>• La carga del lavado puede estar distribuida de manera desigual en el tambor.</li> <li>• No todos los pies de nivelación descansan firmemente en el suelo.</li> <li>• Suelo insuficientemente rígido.</li> </ul>	<ul style="list-style-type: none"> <li>• Pare la lavadora y reorganice la carga de la lavado.</li> <li>• Ajuste las patas de nivelación. Asegúrese de que los cuatro pies están firmemente en contacto con el suelo, mientras que la lavadora está en el ciclo de centrifugado, con una carga.</li> <li>• Asegúrese de que el suelo es sólido e inflexible. Consulte "Suelo" en la sección de <b>instalación</b>.</li> </ul>
<b>Filtraciones de agua alrededor de la lavadora</b>	<ul style="list-style-type: none"> <li>• Vuelva a conectar la manguera si se ha soltado del grifo o de la lavadora.</li> <li>• La entrada de las tuberías de drenaje está obstruida.</li> <li>• Artículos de gran tamaño, tales como una almohada y una manta dentro del tambor.</li> </ul>	<ul style="list-style-type: none"> <li>• Comprobar las mangueras. Compruebe y apriete las conexiones de la manguera.</li> <li>• Desatascar el tubo de drenaje. Póngase en contacto con un fontanero si fuera necesario.</li> <li>• Compruebe el ciclo. Si lava artículos grandes, voluminosos utilice el ciclo VOLUMINOS / ROPA DE CAMA.</li> <li>• Pare la lavadora y compruebe la posición de carga. Coloque los objetos voluminosos en la tambor.</li> </ul>
<b>Exceso de espuma</b>	<ul style="list-style-type: none"> <li>• Demasiado detergente o detergente incorrecto.</li> </ul>	<ul style="list-style-type: none"> <li>• Reduzca la cantidad de detergente o use detergente de baja espuma.</li> </ul> <p> Sólo use detergente con el logotipo HE (alta eficiencia).</p>

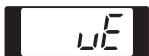
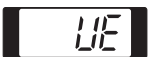
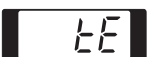
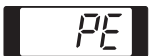
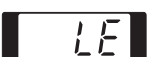
# RESOLUCIÓN DE PROBLEMAS

## ANTES DE SOLICITAR ASISTENCIA TÉCNICA (cont.)

Problema	Causas posibles	Soluciones
<p>El agua de la lavadora sale lentamente, no sale o en la pantalla se lee:</p> 	<ul style="list-style-type: none"> <li>La manguera de desagüe está curvada, pinzada u obstruida.</li> </ul>	<ul style="list-style-type: none"> <li>Asegúrese de que la manguera de desagüe no presente ninguna obstrucción, deformación, etc. y que no esté pinzada en la parte trasera o con la lavadora.</li> </ul>
<p>La lavadora se llena de agua lentamente, no se llena o en la pantalla se lee:</p> 	<ul style="list-style-type: none"> <li>Los grifos de suministro de agua no están totalmente abiertos.</li> <li>Las mangueras de la línea de agua están deformadas, pinzadas o dobladas.</li> <li>Los filtros de entrada de agua están obstruidos.</li> <li>La presión de agua al grifo o en casa es insuficiente.</li> </ul>	<ul style="list-style-type: none"> <li>Asegúrese de que los grifos de agua estén completamente abiertos.</li> <li>Asegúrese de que las mangueras no estén deformadas ni pinzadas. Tenga cuidado cuando mueva la lavadora.</li> <li>Limpie los filtros de entrada. Consulte la sección <b>Limpieza y mantenimiento</b>.</li> <li>Compruebe en otra llave de paso de la casa para asegurarse de que la presión del agua es adecuada.</li> </ul>
<p>La lavadora no se enciende</p>	<ul style="list-style-type: none"> <li>El cable de alimentación no está conectado correctamente.</li> <li>El fusible está fundido, el disyuntor se ha desconectado o se ha producido un corte de energía.</li> </ul>	<ul style="list-style-type: none"> <li>Asegúrese de que el enchufe esté correctamente puesto a tierra, con una toma de 3 púas, 120 V de CA y 60-Hz.</li> <li>Restablezca el disyuntor o cambie el fusible. No aumente la capacidad del fusible. Si el problema radica en la sobrecarga del circuito, éste deberá ser reparado por un electricista cualificado.</li> </ul>
<p>En la pantalla se lee:</p> 	<ul style="list-style-type: none"> <li>La puerta no está cerrada correctamente.</li> </ul>	<ul style="list-style-type: none"> <li>Asegúrese de que la puerta esté bien cerrada y pulse el botón de INICIO/PAUSA. Después de iniciar un ciclo, tarda unos instantes antes de que el tambor empieza a girar o centrifugar. La lavadora no centrifugará a menos que la puerta esté bloqueada. (En la pantalla se leerá BLOQUEAR PUERTA).</li> <li>Si la puerta está cerrada y bloqueada y aún se muestra el mensaje de error por puerta abierta, solicite asistencia técnica.</li> <li>Si pulsa el botón START mientras la tapa esté abierta, aparecerá un mensaje de error.</li> </ul>
<p>En la pantalla se lee:</p> 	<ul style="list-style-type: none"> <li>Error del interruptor de bloqueo de puerta</li> </ul>	<ul style="list-style-type: none"> <li>Asegúrese de que la puerta esté bien cerrada y pulse el botón de INICIO/PAUSA. La lavadora no centrifugará a menos que la puerta esté bloqueada (En la pantalla se leerá BLOQUEAR PUERTA).</li> <li>Si la puerta está cerrada y aún se muestra el mensaje de error por bloqueo de puerta, solicite asistencia técnica.</li> </ul>
<p>El tiempo del ciclo de lavado es más largo de lo habitual</p>	<ul style="list-style-type: none"> <li>La lavadora ajusta automáticamente el tiempo de lavado según la cantidad de ropa, la presión del agua, su temperatura y otras condiciones operativas.</li> </ul>	<ul style="list-style-type: none"> <li>Esto es normal. La lavadora ajusta el tiempo del ciclo automáticamente para ofrecer unos resultados óptimos en el ciclo seleccionado.</li> </ul>
<p>En la pantalla se lee:</p> 	<ul style="list-style-type: none"> <li>El nivel de agua es demasiado alto debido a un fallo en la válvula de agua.</li> </ul>	<ul style="list-style-type: none"> <li>Cierre los grifos de agua, desenchufe la lavadora y solicite asistencia técnica.</li> </ul>
<p>En la pantalla se lee:</p> 	<ul style="list-style-type: none"> <li>Error de acople</li> </ul>	<ul style="list-style-type: none"> <li>Desenchufe la lavadora y solicite asistencia técnica.</li> </ul>

# RESOLUCIÓN DE PROBLEMAS

## ANTES DE SOLICITAR ASISTENCIA TÉCNICA (cont.)

Problema	Causas posibles	Soluciones
<p>En la pantalla se lee:</p> 	<ul style="list-style-type: none"> <li>• La lavadora ha detectado una carga desbalanceada.</li> </ul>	<ul style="list-style-type: none"> <li>• Si la lavadora detecta una carga demasiado desbalanceada como para poder girar, mostrará este código mientras intenta rebalancear la carga. La lavadora agregará agua e intentará redistribuir la carga automáticamente. Esta pantalla es únicamente para su información y no requiere ninguna acción.</li> </ul>
<p>En la pantalla se lee:</p> 	<ul style="list-style-type: none"> <li>• Si el rebalanceo uE (ver arriba) no tiene éxito, mostrará este error.</li> <li>• La carga es demasiado pequeña.</li> <li>• Hay artículos pesados mezclados con artículos más ligeros.</li> <li>• La carga está desbalanceada.</li> </ul>	<ul style="list-style-type: none"> <li>• El intento automático para rebalancear la carga no tuvo éxito. El ciclo se puso en pausa para permitir que la carga se ajuste manualmente.</li> <li>• Puede ser que necesite agregar artículos adicionales a las cargas pequeñas para que la lavadora pueda balancear las cargas.</li> <li>• Puede ser que la carga contenga artículos pesados y otros más ligeros. Siempre trate de lavar artículos que de alguna manera sean de pesos similares para ayudar a la lavadora a distribuir el peso de la carga para una buena rotación.</li> <li>• Redistribuya manualmente la carga si los artículos se han enredado y no permiten que la distribución automática funcione apropiadamente.</li> </ul>
<p>En la pantalla se lee:</p> 	<ul style="list-style-type: none"> <li>• Error del termistor</li> </ul>	<ul style="list-style-type: none"> <li>• Desenchufe la lavadora y solicite asistencia técnica.</li> </ul>
<p>En la pantalla se lee:</p> 	<ul style="list-style-type: none"> <li>• El sensor del nivel de agua no funciona correctamente.</li> </ul>	<ul style="list-style-type: none"> <li>• Cierre los grifos de agua, desenchufe la lavadora y solicite asistencia técnica.</li> </ul>
<p>En la pantalla se lee:</p> 	<ul style="list-style-type: none"> <li>• El circuito de protección contra la sobrecarga térmica en el motor se ha desconectado.</li> </ul>	<ul style="list-style-type: none"> <li>• Deje la lavadora en reposo durante 30 minutos para refrigerar el motor y después, reinicie el ciclo. Si el error "LE" sigue apareciendo, desenchufe la lavadora y solicite asistencia técnica.</li> </ul>
<p><b>Aparición de manchas</b></p>	<ul style="list-style-type: none"> <li>• Añada los productos de lavado en el tambor de la lavadora.</li> <li>• La lavadora no se ha descargado rápidamente.</li> <li>• La ropa no se ha clasificado correctamente.</li> </ul>	<ul style="list-style-type: none"> <li>• Introduzca los productos de lavado en el dispensador.</li> <li>• Saque las prendas de la lavadora tan pronto como finalice el ciclo.</li> <li>• Lave siempre los colores oscuros separados de los claros para evitar que se destiñan. Si es posible, no lave prendas muy sucias con otras que no lo estén tanto.</li> </ul>
<p><b>Aparición de arrugas</b></p>	<ul style="list-style-type: none"> <li>• La lavadora no se ha descargado con prontitud.</li> <li>• Se ha introducido demasiada ropa.</li> <li>• Se han intercambiado las mangueras de entrada de agua caliente y fría.</li> </ul>	<ul style="list-style-type: none"> <li>• Saque las prendas de la lavadora tan pronto como finalice el ciclo.</li> <li>• La lavadora se puede cargar hasta su capacidad máxima, pero las prendas no deben estar comprimidas en el tambor. La puerta de la lavadora debe cerrarse fácilmente.</li> <li>• El ciclo de lavado en agua caliente puede producir más arrugas en las prendas. Revise las conexiones de la manguera de entrada.</li> </ul>

**NOTA:** Si un mensaje de error permanece durante 4 minutos, el agua del tambor se vaciará automáticamente. Sonará una alarma 1 minuto antes del vaciado de agua y aparecerá "dr" en la pantalla. Puede reiniciar la lavadora en este momento. Sin embargo, una vez que la lavadora haya iniciado el vaciado de agua, todas las funciones se suspenderán y se mostrará "dr" hasta que el vaciado de agua haya terminado.

# RESOLUCIÓN DE PROBLEMAS

## ANTES DE SOLICITAR ASISTENCIA TÉCNICA (cont.)

Problema	Causas posibles	Soluciones
<b>La lavadora no funciona</b>	Panel de control está dormido	<ul style="list-style-type: none"> <li>• Esto es normal. Pulse ENCENDIDO.</li> </ul>
	La lavadora está desenchufado	<ul style="list-style-type: none"> <li>• Asegúrese que la cuerda está bien tapada en una salida en funcionamiento.</li> </ul>
	El suministro de agua está apagado	<ul style="list-style-type: none"> <li>• Gire totalmente abiertos tanto grifos calientes como fríos.</li> </ul>
	Los controles no se establecen correctamente	<ul style="list-style-type: none"> <li>• Asegúrese de que el ciclo se ha establecido correctamente, cierre la tapa y pulse INICIAR.</li> </ul>
	La tapa está abierta, la característica de seguridad impide que la carga de la lavadora y la operación con la tapa abierta	<ul style="list-style-type: none"> <li>• Cierre la tapa y restablezca el ciclo, hasta el comienzo si fuera necesario.</li> </ul>
	El cortocircuito / fusible se ha accionado / estropeado	<ul style="list-style-type: none"> <li>• Compruebe los cortacircuitos / fusibles de casa. Sustituya fusibles o reajuste el interruptor. La lavadora debe tener un circuito dedicado.</li> </ul>
	La electrónica tiene que ser reajustada	<ul style="list-style-type: none"> <li>• Pulse el boton Encendido.</li> </ul>
	INICIAR no ha sido presionado después de que se haya establecido el ciclo	<ul style="list-style-type: none"> <li>• Pulsar INICIAR.</li> </ul>
	Baja presión de agua extrema	<ul style="list-style-type: none"> <li>• Revise otra llave en el hogar para asegurar que la presión de agua del hogar es adecuada.</li> </ul>
	La lavadora está demasiado fría	<ul style="list-style-type: none"> <li>• Si la lavadora ha sido expuesta a temperaturas bajo cero durante un período prolongado de tiempo, permita que se caliente antes de presionar ENCENDIDO. De lo contrario, la pantalla no se encenderá.</li> </ul>
<b>La lavadora no se llena con propiedad</b>	Filtro obstruido o las mangueras de llenado pueden estar dobladas	<ul style="list-style-type: none"> <li>• Asegúrese de que los filtros (pantallas azul y naranja deben estar libres de sólidos) de la unidad no estén obstruidos. Apague el agua y compruebe el filtro desconectando la manguera a la máquina. Verifique que las mangueras no están dobladas o congestionadas.</li> </ul>
	Eficiencia energética	<ul style="list-style-type: none"> <li>• Se trata de una lavadora con eficiencia energética. Por consiguiente, los ajustes de temperatura para esta lavadora pueden ser diferentes de las lavadoras sin eficiencia energética.</li> </ul>
	Abastecimiento de agua insuficiente	<ul style="list-style-type: none"> <li>• Asegúrese de que el suministro de agua esté abierto. Asegúrese de que los grifos de agua vuelven a sus posiciones completamente abiertos.</li> </ul>
	La tapa de lavadora está abierta	<ul style="list-style-type: none"> <li>• La tapa de lavadora debe estar cerrada para todas las operaciones del ciclo de lavado. Si la tapa se abre durante el lavado, todas las funciones se detendrán, incluyendo el agua de llenado.</li> </ul>
	La conexión de la manguera es incorrecta	<ul style="list-style-type: none"> <li>• Asegúrese de que las mangueras conectan el suministro de agua caliente a la entrada caliente de la lavadora, y el suministro de agua fría a la entrada fría de la lavadora (caliente a caliente, frío a frío).</li> </ul>
	Optimización de llenado de agua	<ul style="list-style-type: none"> <li>• El agua no puede cubrir el nivel superior de la ropa. Esto es normal para esta lavadora de alta eficiencia. El relleno de agua es optimizado por el sistema para mejor rendimiento de lavado.</li> </ul>



# RESOLUCIÓN DE PROBLEMAS

## ANTES DE SOLICITAR ASISTENCIA TÉCNICA (cont.)

Problema	Causas posibles	Soluciones
<b>La lavadora no vacía el agua estancada en el tambor.</b>	Manguera de drenaje quebrada o desagüe situado a más 8" por encima del suelo	<ul style="list-style-type: none"> <li>Asegúrese de que la manguera del desagüe no esté doblada. Por instrucciones de instalación recomendadas, la salida de desagüe no puede ser más de 8" encima del suelo.</li> </ul>
<b>El agua se escapa en cada carga</b>	Las mangueras no están instaladas correctamente	<ul style="list-style-type: none"> <li>Revise todas las conexiones de las mangueras para asegurarse de que estén apretadas y seguras.</li> </ul>
<b>Fugas de agua</b>	Uso excesivo de detergente	<ul style="list-style-type: none"> <li>El uso excesivo puede crear fugas, que pueden ser causadas por el tipo y la cantidad de detergente utilizado. Se recomienda detergente de alta eficiencia. Asegúrese que el detergente y cualquier aditivo son puestos en los recipientes de unión del dosificador. Siga las recomendaciones del fabricante del detergente para la cantidad de detergente, pero trate de usar menos detergente, sobre todo si el acondicionamiento de agua de casa o las unidades emolientes de agua están siendo usados.</li> </ul>
<b>Incompleto o ninguna distribución de detergente</b>	Los recipientes de detergentes se obstruyeron debido a un relleno incorrecto	<ul style="list-style-type: none"> <li>Asegúrese que el detergente y los aditivos son puestos en a los recipientes de dosificador correctos. Si se utiliza detergente líquido, asegúrese que la caja del dispensador del detergente líquido está en el recipiente de dosificador. Si se utiliza detergente pulverizado, asegúrese que la caja del dispensador del detergente líquido no está siendo usada. Para todo tipo de detergente, asegúrese siempre de que la caja del dispensador está totalmente cerrada antes de iniciar el ciclo.</li> </ul>
	Demasiado uso de detergente	<ul style="list-style-type: none"> <li>Asegúrese de la cantidad sugerida de detergente utilizado por las recomendaciones del fabricante. También puede diluir el detergente con agua en la línea de llenado máximo de la bandeja para evitar obstrucciones. Se recomienda el detergente de alta eficiencia para esta lavadora.</li> </ul>
	Abastecimiento de agua insuficiente	<ul style="list-style-type: none"> <li>Asegúrese de que el suministro de agua esté abierto. Asegúrese de que los grifos de agua vuelven a sus posiciones completamente abiertos.</li> </ul>
	Residuos normales	<ul style="list-style-type: none"> <li>Funcionamiento normal. Los residuos pueden permanecer en los contenedores de la caja dispensadora. La caja del dispensador se puede quitar para la limpieza de vez en cuando con agua tibia y un cepillo de fregar.</li> </ul>
<b>Dosificación prematura de la lejía</b>	El recipiente de lejía se llenó para la futura carga	<ul style="list-style-type: none"> <li>No puede almacenar la lejía en el dosificador para el futuro uso. El recipiente de lejía será dispensado para cada carga para la seguridad óptima de la lavadora.</li> </ul>
	Excesivo llenado del recipiente de lejía	<ul style="list-style-type: none"> <li>El llenado excesivo del recipiente con la lejía puede llevar a la distribución prematura. Hay una línea de llenado máximo indicado en el recipiente de lejía para evitar el llenado excesivo.</li> </ul>
<b>Taponamiento de lejía</b>	El recipiente de lejía no se encuentra bien colocado.	<ul style="list-style-type: none"> <li>Asegúrese de que la tapa de la lejía esté bien colocada y trabada en su lugar antes de iniciar el ciclo.</li> </ul>
	Limpieza insuficiente	<ul style="list-style-type: none"> <li>Usted puede quitar y limpiar la tapa de lejía con agua tibia y limpiar con un cepillo para eliminar el taponamiento.</li> </ul>

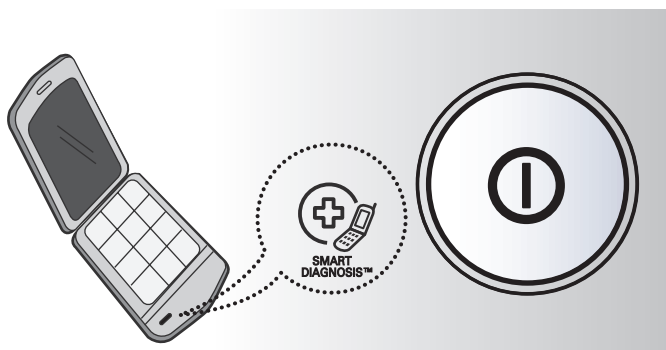
# RESOLUCIÓN DE PROBLEMAS / ESPECIFICACIONES

## UTILIZACIÓN DEL DIAGNÓSTICOINTELIGENTE™

- Utilice esta función sólo cuando así se lo indique el agente del Centro de Atención al Cliente. La transmisión tiene un sonido similar al de un fax, y no tiene ningún significado, excepto para el Centro de Atención al Cliente.
- El DiagnósticoInteligente™ no puede activarse si la lavadora no está conectada a la red eléctrica. Si esto ocurre, deberán utilizarse los procedimientos normales de solución de problemas.

Si experimenta algún problema con su lavadora, llame al número 1-800-243-0000(1-888-542-2623 en Canadá). Siga las instrucciones de nuestro agente y estos pasos, cuando así se lo soliciten:

- 1 Pulse el botón POWER para encender la lavadora. No pulse ningún otro botón ni gire el mando selector de ciclos.
- 2 Cuando así se lo solicite el agente, coloque el auricular del teléfono muy cerca del botón POWER.



- 3 Mantenga pulsado el botón Wash/Rinse durante tres segundos, al tiempo que mantiene el auricular del teléfono junto al icono o botón POWER.
- 4 Mantenga el teléfono en esa posición hasta que haya finalizado la transmisión del tono. Serán unos 15 segundos, y la pantalla contará el tiempo.
  - Para lograr los mejores resultados, no mueva el teléfono mientras se transmiten los tonos.
  - Si el agente no logra realizar una grabación precisa de los datos, quizás le pida que lo intente de nuevo.
  - Si mantiene el botón POWER pulsado durante la transmisión, se apagará el DiagnósticoInteligente™.
- 5 Cuando haya terminado el recuento y se hayan detenido los tonos, vuelva a hablar con el agente, que le podrá ayudar con la información recogida para su análisis.

## DIMENSIONES Y ESPECIFICACIONES CLAVE

El aspecto y las especificaciones puestas en la lista en esta guía pueden variar debido a mejoras del producto constantes.

Modelos WT5001C*	
<b>Descripción</b>	Lavadora de carga superior.
<b>Requisitos eléctricos</b>	120V AC, 60Hz
<b>Presión del agua</b>	14,5~116 PSI (100~800 kPa)
<b>Dimensiones</b>	27"(anchura) X 28 <sup>3</sup> / <sub>8</sub> "(profundidad) X 45 <sup>3</sup> / <sub>8</sub> "(altura), 55 <sup>3</sup> / <sub>4</sub> "(altura con la puerta abierta) 68,6 cm (anchura) X 72,1 cm (profundidad) X 115,3 cm (altura), 141,7 cm (altura con la puerta abierta)
<b>Peso neto</b>	145,5 lbs. (66 kg)
<b>Máx. velocidad de centrifugado</b>	1100 RPM

# LG ELECTRONICS, INC. GARANTÍA LIMITADA DE LA LAVADORA LG - EE.UU.



LG Electronics Inc. reparará o reemplazará su lavadora LG, a elección de LG, si se comprueba que el montaje o los materiales son defectuosos en un uso normal, durante el periodo de garantía establecido más adelante ("Periodo de garantía"), efectivo desde la fecha de compra ("Fecha de compra") del producto por el cliente original. Esta garantía es válida únicamente para el comprador original del producto y efectiva únicamente cuando se utilice en los Estados Unidos, incluyendo Alaska, Hawai y demás territorios de los Estados Unidos.

ESPAÑOL

<p><b>PERIODO DE GARANTÍA:</b></p> <p><b>MANO DE OBRA:</b> Un año desde la fecha de compra.</p> <p><b>PARTES (excepto las que se enumeran a continuación):</b> Un año desde la fecha de compra.</p> <p style="padding-left: 20px;"><b>Motor del tambor(Stator, Rotor, Hall sensor)</b> : Diez años desde la Fecha de compra.</p> <p style="padding-left: 20px;"><b>Tambor de acero inoxidable:</b> Ilimitada</p> <p>Las unidades de sustitución y reparación de piezas pueden ser nuevas o reconstruidas.</p> <p>Las unidades y piezas de repuesto estarán en garantía durante el periodo de tiempo restante de la garantía original de la unidad.</p>	<p><b>SOLICITUD DE SERVICIO TÉCNICO:</b></p> <p><b>Servicio a domicilio:</b></p> <p>Conserve la factura con la fecha de compra del distribuidor o el recibo como prueba de la fecha de compra para comprobar la validez de la garantía y entregue una copia de la factura de compra a la persona del servicio técnico cuando se realice el servicio de garantía.</p> <p><b>Llame al 1-800-243-0000 y seleccione la opción apropiada para localizar su centro de servicio técnico autorizado LG más próximo.</b></p> <p>O visite nuestra página web: <a href="http://www.lg.com">http://www.lg.com</a>.</p>
--	--

**ESTA GARANTÍA SUSTITUYE A CUALQUIER OTRA GARANTÍA, EXPLÍCITA O IMPLÍCITA, INCLUYENDO SIN LIMITACIÓN, CUALQUIER GARANTÍA DE COMERCIALIZACIÓN O CAPACIDAD PARA UNA FINALIDAD ESPECÍFICA. POR EXTENSIÓN, CUALQUIER GARANTÍA IMPLÍCITA LEGALMENTE REQUERIDA ESTÁ LIMITADA EN SU DURACIÓN AL PERIODO DE GARANTÍA EXPRESA ANTERIOR. NI EL FABRICANTE NI SU DISTRIBUIDOR EN EE.UU. SERÁ RESPONSABLE DE NINGÚN DAÑO INCIDENTAL, RESULTANTE, INDIRECTO, ESPECIAL O PUNITIVO DE CUALQUIER NATURALEZA, INCLUYENDO SIN LIMITACIÓN, PÉRDIDA DE INGRESOS O BENEFICIOS, O CUALQUIER OTRO DAÑO, YA SEA MEDIANTE CONTRATO, AGRAVIO O DE OTRO MODO.** Algunos estados no permiten la exclusión o limitación de daños incidentales o resultantes o limitaciones sobre el tiempo de actuación de una garantía implícita, de modo que la anterior exclusión o limitación no se le aplicaría. Esta garantía le ofrece derechos legales específicos y también puede tener otros derechos que variarán de estado a estado.

**ESTA GARANTÍA LIMITADA NO SE APLICA A:**

- Desplazamientos del servicio técnico a su domicilio para entrega, recogida y/o instalación del producto, muestra de su funcionamiento o sustitución de fusibles o corrección del cableado o reparaciones no autorizadas.
- Daños o problemas de funcionamiento producidos por un mal uso, abuso, funcionamiento fuera de las especificaciones del entorno o contrario a los requisitos o precauciones del manual de instrucciones, accidente, plagas, incendio, inundación, instalación incorrecta, causas de fuerza mayor, modificaciones o alteraciones no autorizadas, corriente o voltaje no adecuado, uso comercial o uso distinto para el que está diseñado.

El coste de la reparación o recambio bajo estas circunstancias excluidas deberá ser abonado por el consumidor.

**NÚMEROS DEL CENTRO INFORMACIÓN DE ATENCIÓN AL CLIENTE**

<p><b>Para obtener atención al cliente, información sobre el producto o localizar distribuidores o centros de servicio técnico autorizados:</b></p>	<p><b>Llame al 1-800-243-0000</b> (24 horas al día, 365 días al año) y seleccione la opción apropiada del menú.</p> <p><b>O visite nuestra página web:</b> <a href="http://www.lg.com">http://www.lg.com</a>.</p>
---	---

**CONTACTAR LG ELECTRONICS POR CORREO:**

Centro Información de atención al cliente LG  
Apartado postal 240007  
201 James Record Road  
Huntsville, Alabama 35824  
AT: CIC

**Información del registro de productos**

<b>Modelo:</b>	
<b>Número de serie:</b>	
<b>Fecha de compra:</b>	

El modelo y número de serie se encuentran en la placa en la parte posterior de la lavadora.



This product qualifies for ENERGY STAR in the "factory default (Home Use)" setting.

Changing the factory default settings or enabling other features may increase power consumption that could exceed the limits necessary to qualify for ENERGY STAR.

LG Customer Information Center	
1-800-243-0000	USA
1-888-542-2623	CANADA
Register your product Online!	
<a href="http://www.lg.com">www.lg.com</a>	