



OWNER'S MANUAL

Mini Hi-Fi System

Please read this manual carefully before operating your set and retain it for future reference.

MODEL

MCT565 (MCT565, MCS565F/W)

P/NO : MF63284625

1 Safety Information



CAUTION: TO REDUCE THE RISK OF ELECTRIC SHOCK DO NOT REMOVE COVER (OR BACK) NO USER-SERVICEABLE PARTS INSIDE REFER SERVICING TO QUALIFIED SERVICE PERSONNEL.



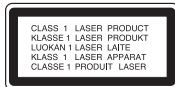
This lightning flash with arrowhead symbol within an equilateral triangle is intended to alert the user to the presence of uninsulated dangerous voltage within the product's enclosure that may be of sufficient magnitude to constitute a risk of electric shock to persons.



The exclamation point within an equilateral triangle is intended to alert the user to the presence of important operating and maintenance (servicing) instructions in the literature accompanying the product.

WARNING: TO PREVENT FIRE OR ELECTRIC SHOCK HAZARD, DO NOT EXPOSE THIS PRODUCT TO RAIN OR MOISTURE.

WARNING: Do not install this equipment in a confined space such as a book case or similar unit.



CAUTION: This product employs a Laser System. To ensure proper use of this product, please read this owner's manual carefully and retain it for future reference. Shall the unit require maintenance, contact an authorized service center.

Use of controls, adjustments or the performance of procedures other than those specified herein may result in hazardous radiation exposure.

To prevent direct exposure to laser beam, do not try to open the enclosure. Visible laser radiation when open. **DO NOT STARE INTO BEAM.**

CAUTION: The apparatus shall not be exposed to water (dripping or splashing) and no objects filled with liquids, such as vases, shall be placed on the apparatus.

CAUTION concerning the Power Cord

Most appliances recommend they be placed upon a dedicated circuit;

That is, a single outlet circuit which powers only that appliance and has no additional outlets or branch circuits. Check the specification page of this owner's manual to be certain. Do not overload wall outlets. Overloaded wall outlets, loose or damaged wall outlets, extension cords, frayed power cords, or damaged or cracked wire insulation are dangerous. Any of these conditions could result in electric shock or fire. Periodically examine the cord of your appliance, and if its appearance indicates damage or deterioration, unplug it, discontinue use of the appliance, and have the cord replaced with an exact replacement part by an authorized service center. Protect the power cord from physical or mechanical abuse, such as being twisted, kinked, pinched, closed in a door, or walked upon. Pay particular attention to plugs, wall outlets, and the point where the cord exits the appliance. To disconnect power from the mains, pull out the mains cord plug. When installing the product, ensure that the plug is easily accessible.

WARNING: Do not install this equipment in a confined space such as a book case or similar unit.

CAUTION: Do not block any ventilation openings. Install in accordance with the manufacturer's instructions.

Slots and openings in the cabinet are provided for ventilation and to ensure reliable operation of the product and to protect it from overheating. The openings should be never be blocked by placing the product on a bed, sofa, rug or other similar surface. This product should not be placed in a built-in installation such as a bookcase or rack unless proper ventilation is provided or the manufacturer's instruction have been adhered to.

This device is equipped with a portable battery or accumulator.

Safe way to remove the battery or the battery from the equipment:

Remove the old battery pack, follow the steps in reverse order than the assembly. To prevent contamination of the environment and bring on possible threat to human and animal health, the old battery or the battery put in the appropriate container at designated collection points. Do not dispose of batteries or battery together with other waste. It is recommended that you use local, free reimbursement system batteries and accumulators.

The battery shall not be exposed to excessive heat such as sunshine, fire or the like.

You have to set the disc format option to [Mastered] in order to make the discs compatible with the LG players when formatting rewritable discs. When setting the option to Live File System, you cannot use it on LG players.

(Mastered/ Live File System : Disc format system for Windows Vista)

- The appliance is not intended for use by young children or infirm persons without supervision.
- Young Children should be supervised to ensure that they do not play with appliance.
- If the appliance is supplied from a cord extension set or an electrical portable outlet device, the cord extension set on electrical portable outlet device must be positioned so that it is not subject to splashing or ingress of moisture.

Contents

1

Safety Information

2

2 CAUTION

3

Preparation

4

- 6 Unique Features
- 6 Accessories
- 7 Introduction
 - 7 Symbol Used in this Manual
 - 7 Playable file Requirement

5

- 8 Remote control
- 9 Rear panel
- 10 Front panel

6

Installation

7

- 12 Attaching the speakers to the unit
- 13 Antenna Connection
- 14 Optional Equipment Connection
 - 14 AUX In Connection
 - 14 AUDIO (PORT. IN) In Connection
 - 15 USB Connection
 - 15 Enjoying audio from an external source and selecting the function

Operation

- 16 Basic Operations
- 17 TAPE Operation
- 18 iPod Operation
- 20 Other Operations
 - 20 Programmed Playback
 - 20 AUTO DJ playback
 - 21 Sleep Timer Setting
 - 21 Dimmer
 - 21 Turning off the sound temporarily
 - 21 DEMO
 - 21 VOCAL FADER
 - 21 Displaying file information (ID3 TAG)
 - 22 Setting the USER EQ
 - 22 Setting the Clock
 - 22 Using your player as an alarm clock
- 23 Sound adjustment
 - 23 Setting the surround mode
- 24 Radio Operations
 - 24 Listening to the radio
 - 24 Presetting the Radio Stations
 - 24 Deleting all the saved stations
 - 24 Improving poor FM reception
- 25 Advanced Operations
 - 25 Listening to music from your portable player or external device
 - 25 Recording to TAPE
 - 25 Synchronized Recording from CD to Tape

26 Recording to USB

Maintenance

28 Notes on Discs

28 Handling the Unit

Troubleshooting

29 Troubleshooting

Appendix

30 Trademarks and Licenses

31 Specifications

1

2

3

4

5

6

7

2 Preparation

2

Preparation

Unique Features

Portable In

Listens to music from your portable device.
(MP3, Notebook, etc)

USB Direct Recording

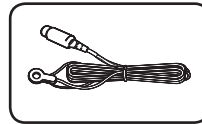
Records music to your USB device.

AUTO DJ

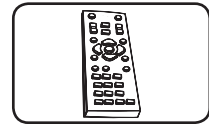
Auto DJ blends the end of one song into the beginning of another for seamless playback.

Accessories

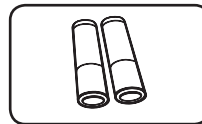
Please check and identify the supplied accessories.



FM antenna (1)



Remote control (1)



Batteries (2)

Introduction

Symbol Used in this Manual

All discs and file listed below

ALL

MP3 files

MP3

WMA files

WMA

Audio CDs

ACD



NOTE

Indicates special notes and operating features.

Playable file Requirement

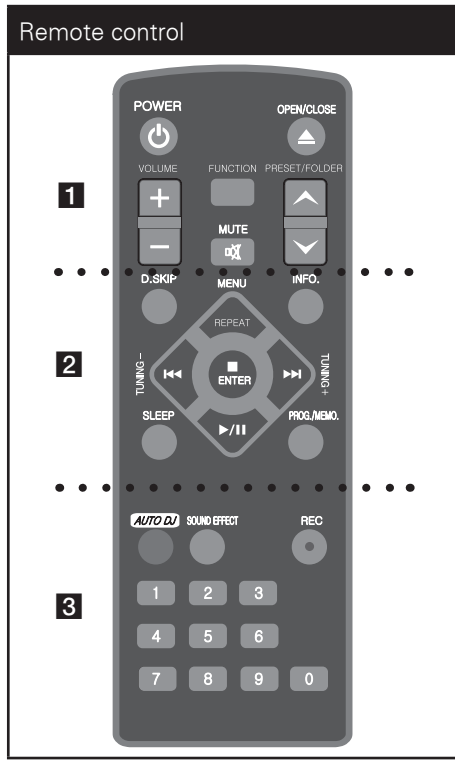
MP3/ WMA music file requirement

MP3/ WMA file compatibility with this unit is limited as follows :

- Sampling frequency :
from 32 to 48 kHz (MP3),
from 32 to 48 kHz (WMA)
- Bit rate :
from 32 to 320 kbps (MP3),
40 to 192 kbps (WMA)
- Support Version : v2, v7, v8, v9
- Maximum files : Under 999
- File extensions : ".mp3"/".wma"
- CD-ROM file format : ISO9660/ JOLIET
- We recommend that you use Easy-CD Creator, which creates an ISO9660 file system.

Remote control

2 Preparation



- **1**
- POWER** : Switches the unit ON or OFF.
- OPEN/CLOSE** : Opens and closes the disc tray.
- VOLUME +/-** : Adjusts speaker volume.
- FUNCTION** : Selects the function and input source.
- MUTE** : Mutes the sound.

PRESET/FOLDER (▲/▼) : Searches for a folder of MP3/ WMA files. When a CD/ USB containing MP3/ WMA files in several folders is being played, press **PRESET/FOLDER** selects the folder you want to play. Choose a 'preset number' for a radio station.

..... **2**

- D.SKIP** : Chooses a desired CD.
- INFO.** : See information about your music. MP3 files often come with tags. The tag gives the Title, Artist, Album or Time information.
- REPEAT** : Selects a desired play mode.
- TUNING (-/+)** : Selects the radio station.

◀◀ / ▶▶ (SKIP/ SEARCH)
 - Searches for a section within a track.
 - Skips Fast backward or Forward.

▶ / || (Play/Pause): Starts or pauses playback.

■ ENTER : Stops or Chooses a item.

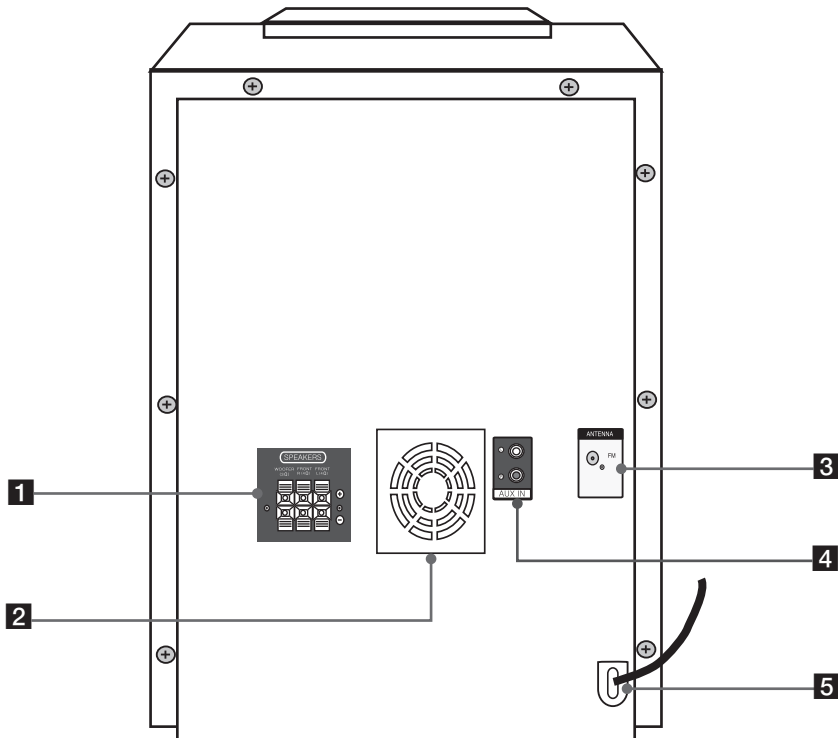
SLEEP : Sets the system to turn off automatically at a specified time. (Dimmer : The display window will be darken by half.)

PROG./MEMO. : For storing radio stations. If you have saved radio stations using **PROG./MEMO.**, you can scroll through them and select one. (see Listening to the radio) Listen to your tracks in any order. (see Listening to CDs)

..... **3**

- AUTO DJ** : Selects the AUTO DJ mode. (For more information refer to the page 20).
- SOUND EFFECT** : Chooses sound impressions.
- REC** : USB Direct Recording.
- 0 to 9 numerical buttons** : Selects numbered tracks, files, or preset number.

Rear panel

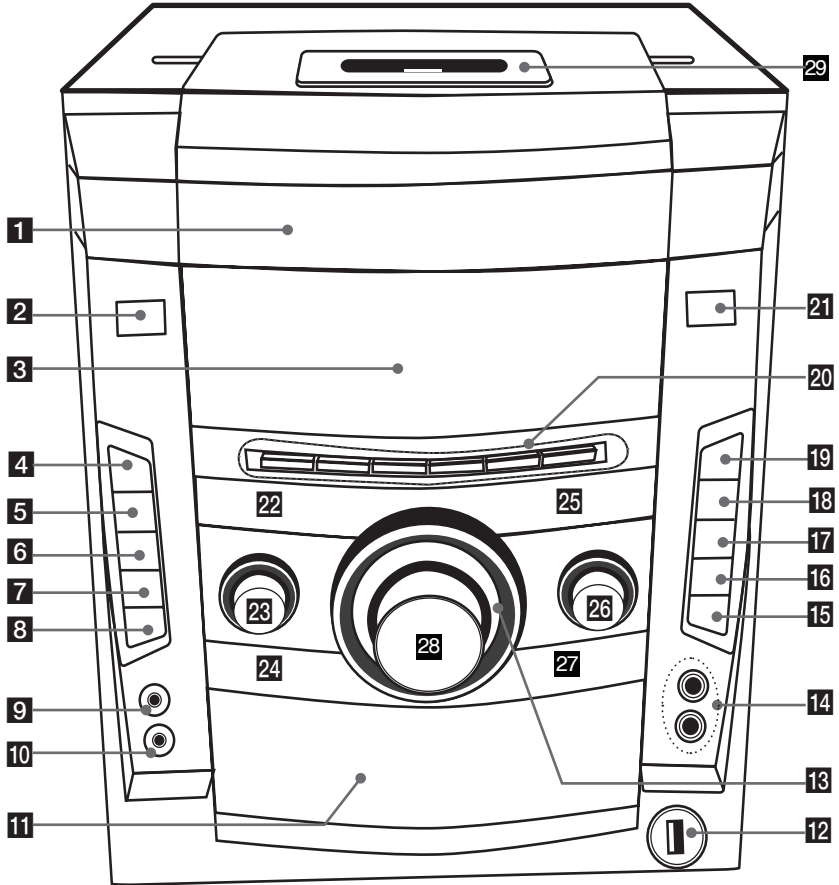


- 1** Speaker terminal
- 2** Cooling fan
- 3** ANTENNA (FM)
- 4** AUX IN connector
- 5** Power cord.

Front panel

2

Preparation



1 Disc tray**2**  (Power)**3 Display window****4 TIMER**

With the TIMER function you can turn CD, USB play and TUNER reception on or off at a desired time.

5 CLOCK

For setting the clock and checking the time.

6 USER EQ

Controls sound register.

7 LG SOUND EFFECT

You can select a natural or local specialization equalizer effect.

8 BASS BLAST/

Reinforces the treble, bass and surround effect.

MP3 Opt.

Optimizes compressive MP3 files so that it improves the treble sound.

9 PORT. IN jack**10 PHONES****11 Cassette door****12 USB port****13 MULTI JOG DIAL**

Moves to the another file/ track or you can select the tuning range.

You can set the clock.

14 MIC1,2 jack. (6.3 mm jack)**15** 

Recording to USB

16 USB/DEMO

Selects the USB function.

17 VOCAL FADER

When you listen to music, it reduce the vocal of file.

18 DISC SKIP

Chooses a desired CD

19 OPEN/CLOSE**20 SET**

Confirms the setting.

CD SYNC.

From CD to TAPE Synchronized Recording Stars playback.

|| (Pause)

◀◀/TUNING - (CD FB/Prev.,TAPE REW)

PRESET -/ ◀ (TAPE reverse play)

PRESET +/ ▶ (CD play, TAPE FW play)

▶▶/TUNING + (CD FF/NEXT, TAPE FF)

■ STOP**21 AUTO DJ**

Selects the AUTO DJ mode. (For more information refer to the page 20)

22 CD

Selects the **CD** function.

23 SOUND EFFECT

Chooses sound impressions.

24 RADIO

Selects the **RADIO** function.

25 TAPE

Selects the **TAPE** function

26 MIC VOL.**27 AUX/ PORTABLE/ iPod**

Selects the AUX, PORTABLE or iPod function.

28 MASTER VOLUME

Controls the volume when using any function.

29 iPod dock

3

Installation

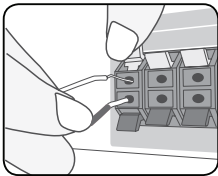
Attaching the speakers to the unit

3
Installation

To connect the cable to the unit, press each plastic finger pad to open the connection terminals on the unit. Insert the wire and release the finger pad.

Connect the black end of each wire to the terminals marked - (minus) and the other end to the terminals marked + (plus).

Connect the other end of each wire to the correct speaker according to the color coding:



Color	Speaker	Position
Orange	Sub woofer	Any front position
Red	Front	Front right
White	Front	Front left



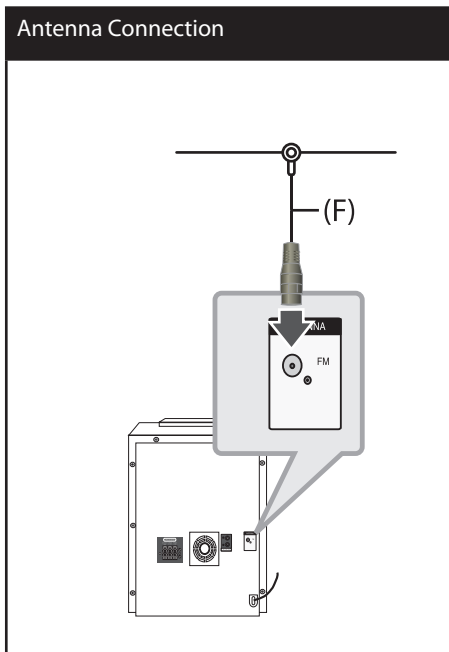
CAUTION

- Be careful to make sure children do not put their hands or any objects into the *speaker duct.
*Speaker duct: A hole for enhanced bass sound on speaker cabinet (enclosure).
- The speakers contain magnet parts, so color irregularity may occur on the TV screen or PC monitor screen. Please use the speakers far away from either TV screen or PC monitor.

Antenna Connection

Connect the supplied FM antenna for listening to the radio.

Connect the FM wire antenna to the FM antenna connector. (F)



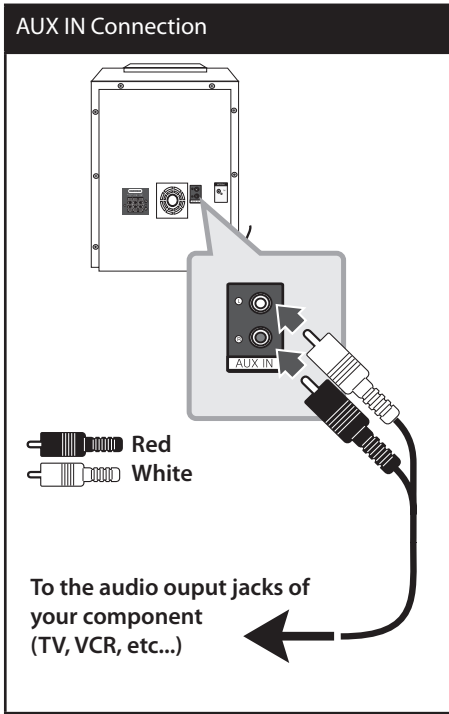
NOTE

Be sure to fully extend the FM wire antenna.
After connecting the FM wire antenna, keep it as horizontal as possible.

Optional Equipment Connection

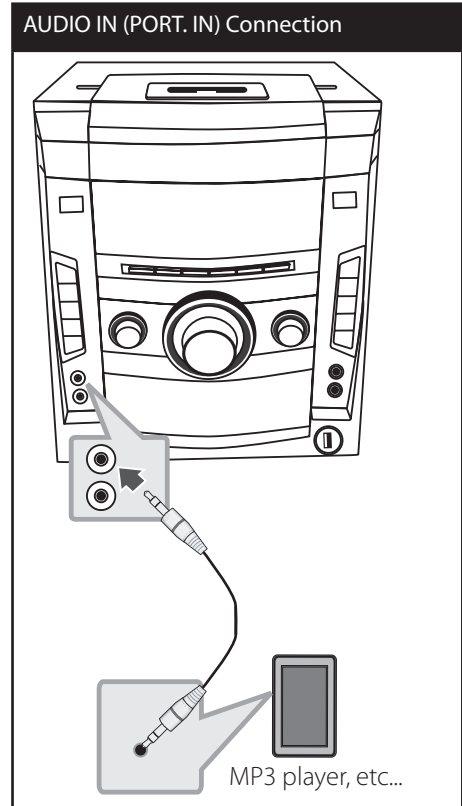
AUX In Connection

Connect an Output of auxiliary device to the AUX (L/R) INPUT Connector.



AUDIO (PORT. IN) In Connection

Connect an output of portable device (MP3 or PMP etc) to the AUDIO (PORT. IN) input connector.



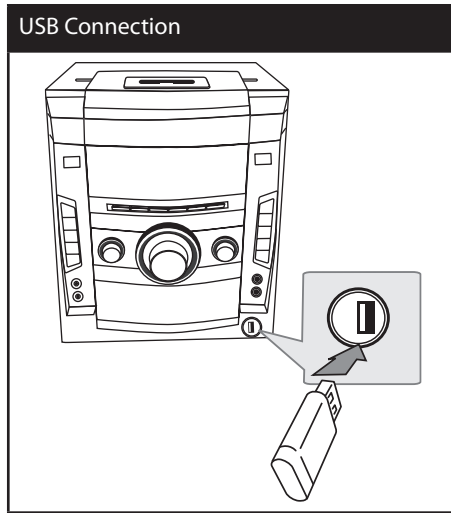
NOTE

If your TV has only one output for audio (mono), connect it to the left (white) audio jack on the unit.

3 Installation

USB Connection

Connect the USB plug or cable from a USB Memory device (or MP3 player, etc.) to the USB port on the front of the unit.



Removing the USB Device from the unit

1. Choose a different function mode or press **STOP** (■) twice in a row.
2. Remove the USB device from the unit.

Compatible USB Devices

- MP3 Player : Flash type MP3 player.
- USB Flash Drive : Devices that support USB 2.0 or USB 1.1.
- The USB function of this unit does not support some USB devices.

USB device requirement

- Devices which require additional program installation when connected to a computer, are not supported.
- Do not extract the USB device while in operation.
- For a large capacity USB, it may take longer than a few minute to be searched.
- To prevent data loss, back up all data.
- If you use a USB extension cable or USB hub, the USB device may not be recognized.
- Using NTFS file system is not supported. (Only FAT(16/ 32) file systems are supported.)
- This unit is not supported when the total number of files is 1 000 or more.
- External HDD, Card readers, Locked devices, or hard type USB devices are not supported.
- The USB port on the unit cannot be connected to PC. The unit can not be used as a storage device.

Enjoying audio from an external source and selecting the function

You can enjoy audio from an external source through your unit. And you can select the function.

Press **FUNCTION** repeatedly to select the desired input source or the function - CD, USB, IPOD, AUX, PORTABLE, TAPE, FM.

4 Operation

Basic Operations

CD/ USB Operations

1. Insert the disc by pressing **▲ OPEN/CLOSE** or connect the USB device to the USB port.
2. Select the **CD** or **USB** function by pressing **FUNCTION** on the remote control or **CD, USB** button on the unit.
3. Select the disc by pressing **DISC SKIP** on the unit or **D.SKIP** on the remote control.

To	Do this
Stop	Press ■ ENTER on the remote control or ■ STOP on the unit.
Playback	Press ▶/ on the remote control or ▶ PRESET+ on the unit.
Pause	Press ▶/ on the remote control or SET/ CD SYNC. on the unit.

To	Do this
Skipping to the next/previous track/file	<p>During playback, press or rotate;</p> <p>(1) to go to the next track/file or to return to the beginning of current track/file: - On the remote control: ▶▶ - On the unit: MULTI JOG DIAL or ▶▶</p> <p>(2) to go back to the previous track/file: - On the remote control: ◀◀ - On the unit: MULTI JOG DIAL or ◀◀</p>
Searching for a section within a track	Press and hold ◀◀ or ▶▶ during playback and release it at the point you want to listen to.
Playing repeatedly or randomly	Press REPEAT on the remote control repeatedly, the display changes in the following order, RPT 1 → RPT DISC → RPT DIR (Only MP3/WMA) → RPT ALL → RANDOM → OFF.
Selecting files or tracks directly	Press 0 to 9 numerical buttons on the remote control to go to the desired file or track directly.

TAPE Operation

Listening to cassette tapes

Cassette tapes can be played back in this unit.

1. Open the tape door by pressing **▲ PUSH EJECT**.
2. Insert the tape.
3. Close the tape door by pressing **▲ PUSH EJECT**.
4. Select the TAPE function by pressing **TAPE** on the unit or **FUNCTION** on the remote control.

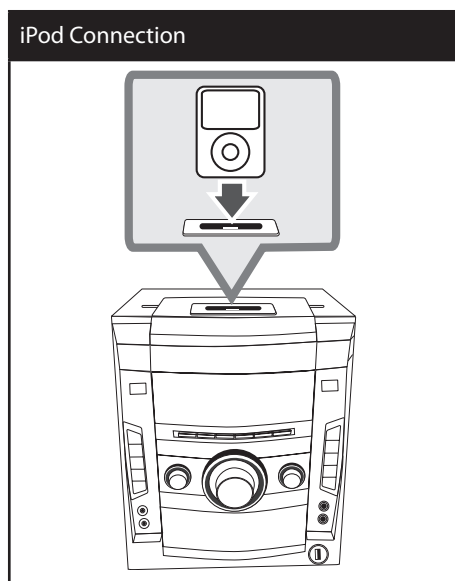
To	Do this
Stop	Press ■
Playback	Press ▶ / on the remote control or ◀ PRESET - / ▶ PRESET + on the unit.
Change direction	Press ▶ / repeatedly on the remote control or ◀ PRESET - / ▶ PRESET + on the unit.
Searching for a section	Press ◀◀ or ▶▶ during playback and release it at the point you want to listen to.
Play mode	You can set the tape to play one side ↔ , both sides one time ⇒ , or both sides repeatedly ↔⇒ , by pressing REPEAT on the remote control one or more times.

iPod Operation

Playing the iPod

You can enjoy the media files on your iPod. For details about iPod, refer to the iPod's User Guide.

1. Connect the iPod firmly.



If you turn this unit on, your iPod is automatically turned on and recharging starts.

If your iPod is completely discharged, charge the battery first.

2. Press **AUX/ PORTABLE/ iPod** on the unit or **FUNCTION** on the remote control to select iPod function. You can operate your iPod through an iPod's display by using the supplied remote control and also control on your iPod.

To		Do this
ON UNIT	ON REMOTE	
SET/ CD SYNC.	▶ /	Pause or restart
MULTI JOG DIAL or ◀◀ / ▶▶	◀◀ / ▶▶	Skip
◀◀ / ▶▶ (Press and hold)	◀◀ / ▶▶ (Press and hold)	Search
-	REPEAT	Move to the previous menu
-	PRESET/ FOLDER	Move to the desired item
■ STOP	■ ENTER	Choose a item

Compatible iPod

- We recommend installing the latest software version.
- The unit supports the models as follows, iPod nano, 1G, 2G, 3G, 4G/ iPod classic/ iPod 4G, 5G/ iPod touch 2G/ iPhone 3G. For some models, the unit may not operate depending on the firmware version.
- Depending on your iPod's software version, it may not be possible to control your iPod from the player.
- Unsupported iPod models are recognized as a USB device when connected.

**NOTE**

- If this unit displays an error message, follow the message.
 - Your iPod is not connected firmly.
 - This unit recognizes your iPod as unknown device.
 - Your iPod is exceptionally low in power.
 - The battery needs to be charged.
 - If you charge the battery while iPod is extremely low in power, it may take longer to charge.
- iPod does not support recording function when connected.
- Depending on your iPod's software version, it may not be possible to control your iPod from this unit. We recommend installing the latest software version.
- If you have a problem with your iPod, Please visit www.apple.com/support/ipod.

Other Operations

Programmed Playback

The program function enables you to store your favourite files from any disc or USB device.

A program can contain 20 tracks.

1. Insert a CD or USB and wait for it to be initialised.
2. Press **PROG./MEMO.** on the remote control in stop status.
3. Press or rotate to select a track;
 - On the remote control: **◀◀/▶▶**
 - On the unit: **MULTI JOG DIAL** or **◀◀/▶▶**
4. Press **PROG./MEMO.** again to save and select a next track.
5. Press **▶/||** to play the programmed music files.
6. To clear your selection, press **■**, **PROG./MEMO.** and then **■**.

NOTE

The programs are also cleared when the disc or USB device is removed, the unit is switched to power off or the function is changed.

AUTO DJ playback

Auto DJ blends the end of one song into the beginning of another for seamless playback. It equalizes volume across tracks for uninterrupted playback.

Press **AUTO DJ** on the remote control or unit repeatedly, the display changes as followings. order, RANDOM (AUTO DJ RANDOM) → REPEAT DISC (AUTO DJ SEQUENTIAL) → (AUTO DJ OFF).

Mode	Display Window	Description
OFF	- (AUTO DJ OFF)	-
RANDOM	RANDOM (AUTO DJ RANDOM)	The music is played randomly on this mode.
REPEAT	REPEAT DISC (AUTO DJ SEQUENTIAL)	The music is played repeatedly on this mode.

NOTE

- Searching for a section within a track or playing repeatedly or randomly is not supported on the AUTO DJ mode.
- If you switch to other functions or stop the music using **■ STOP** on the unit (or **■ ENTER** on the remote control) on AUTO DJ mode, AUTO DJ function will be disable.
- AUTO DJ function is not supported in the music file whose length is less than 60 seconds.
- All music files are repeated continually until the user deactivates the AUTO DJ function.
- During recording AUTO DJ function is not available.
- If you change a disc while the AUTO DJ function is activated the function is deactivated.

Sleep Timer Setting

Press **SLEEP** one or more times to select delay time between 10 and 180 minutes, after which the unit will turn off.

To check the remaining time, press **SLEEP**.

To cancel the sleep function, press **SLEEP** repeatedly until "SLEEP 10" appears, and then press **SLEEP** once again while "SLEEP 10" is displayed.



NOTE

You can check the remaining time before the Unit turns off.
Press **SLEEP** The remaining time appears in the display window.

Dimmer

Press **SLEEP** once. The display window will darken. To cancel it, press **SLEEP** repeatedly until the dimmer is turned off.

Turning off the sound temporarily

Press **MUTE** to mute your unit.
You can mute your unit in order, for example, to answer the telephone, the mute symbol appears **MUTE** in the display window.

DEMO

In the power off state, demonstrates the function on display window.

VOCAL FADER

You can use this unit for karaoke, by reducing singer vocal of music files played on this unit. (MP3/ WMA/ CD/ etc.) Press the

VOCAL FADER, and "FADE ON" will appear in display window.

To cancel it, press **VOCAL FADER** again.

The quality of the VOCAL FADER may be different depending on the recording conditions of music files.

This function is available only when a MIC is connected.

Displaying file information (ID3 TAG)

While playing an MP3 file containing file information, you can display the information by pressing **INFO**.

Setting the USER EQ

You can listen to music with the desired sound effect by adjusting the BASS, MIDDLE and TREBLE.

1. Press **USER EQ**.
"USER EQ" is displayed.
2. Press **|| SET/CD SYNC.** to enter the **USER EQ**.
3. Select the BASS, MIDDLE or TREBLE sound effect you want by using **◀ PRESET - / ▶ PRESET +**.
4. Press **◀◀ TUNING - / ▶▶ TUNING +** or rotate **MULTI JOG DIAL** on the unit to select the sound level you want.
5. To finish the setting, press **|| SET/CD SYNC..**

Setting the Clock

1. Turn the power on.
2. Press **CLOCK** for at least 2 seconds
3. Choose from either, by rotating the **MULTI JOG DIAL** knob or pressing **◀◀/▶▶**.
- AM 12:00 (for an AM and PM display) or 0:00 (for a 24 hour display)
4. Press **|| SET/CD SYNC.** for confirm your selection
5. Select the hours, by rotating the **MULTI JOG DIAL** knob or pressing **◀◀/▶▶**.
6. Press **|| SET/CD SYNC.**
7. Select the minutes, by rotating the **MULTI JOG DIAL** knob or pressing **◀◀/▶▶**.
8. Press **|| SET/CD SYNC.**

Using your player as an alarm clock

1. Turn the power on.
2. Press **TIMER**. Each functions flashes.
3. Press **|| SET/CD SYNC.** when the function you want to be woken by is showing.
4. "ON TIME" will be displayed. This is where you set the time you want the alarm to start. Rotate the **MULTI JOG DIAL** knob or press **◀◀/▶▶** to change the hours and minutes and **|| SET/CD SYNC.** to save.
5. "OFF TIME" will be displayed. This is where you set the time you want the function to stop.
6. Rotate the **MULTI JOG DIAL** knob or press **◀◀/▶▶** to change the hours and minutes and press **|| SET/CD SYNC.** to save.
7. Rotate the **MULTI JOG DIAL** knob or press **◀◀/▶▶** to change the hours and minutes and press **|| SET/CD SYNC.** to save. The clock icon "🕒" shows that the alarm is set.
8. Press **TIMER** button 2 times. You can check the setting status.



NOTE

- If you set the clock time, you can check the time by pressing **CLOCK** even when the player is turned off.
- If you set the clock time and alarm, you can check the alarm icon "🕒" by pressing **CLOCK** even when the player is turned off.
- If you set the clock time and alarm, you can check the alarm icon "🕒" and setting information by pressing **TIMER** even when the unit is turned off.

Sound adjustment

Setting the surround mode

This system has a number of pre-set surround sound fields. You can select a desired sound mode by using **SOUND EFFECT**.

You can change the **SOUND EFFECT** using **◀◀ / ▶▶** arrow key while the sound effect information is displayed.

The displayed items for the equalizer maybe different depending on sound sources and effects.

On Display	Description
NATURAL	You can enjoy comfortable and natural sound
Local Specialization equalizer	Regionally optimized sound effect. (DANGDUT/ ARABIC/ PERSIAN/ INDIA/ REGUETON/ MERENGUE/ SALSA/ SAMBA/ CUMBIA/ AFRO)
AUTO EQ	Sets the sound equalizer to the mode that is the most similar to the genre which is included in the MP3 ID3 tag of song files.
POP CLASSIC JAZZ ROCK	This program lends an enthusiastic atmosphere to the sound, giving you the feeling you are at an actual rock pop, jazz or classic concert.
MP3 - OPT	This function is optimized for compressible MP3 file. It improves the treble sound.
BASS BLAST	During playback, reinforce the treble, bass and surround sound effect.

On Display	Description
LOUDNESS	Improves the bass and treble sound.
VIRTUAL	You can enjoy more virtual surround sound.
BYPASS	You can enjoy the sound without equalizer effect.

! **NOTE**

- In some surround modes, some speakers, may have no sound or low sound. It depends on the mode of surround and the source audio, it is not a fault.
- You may need to reset the surround mode, after switching the input, sometimes even after the sound track changed.

Radio Operations

Be sure that FM aerial is connected. (Refer to the page 13)

Listening to the radio

1. Press **FUNCTION** on the remote control or **RADIO** on the unit until FM appears in the display window.
The last received station is tuned in.
2. Press and hold **TUNING (-/+)** for about two seconds until the frequency indication starts to change, then release. Scanning stops when the unit tunes in a station.

or

Press **TUNING (-/+)** repeatedly.

3. Adjust the volume by rotating **MASTER VOLUME** on the unit or by pressing **VOLUME (+/-)** on the remote control repeatedly.

Presetting the Radio Stations

You can preset 50 stations for FM.

Before tuning, make sure that you have turned down the volume.

1. Press **FUNCTION** on the remote control or **RADIO** on the unit until FM appears in the display window.
2. Press or rotate to select a desired frequency;
 - On the remote control: **TUNING (-/+)**
 - On the unit: **MULITI JOG DIAL** or **◀◀ / ▶▶**
3. Press **PROG./MEMO.**, a preset number will flash in the display window.
4. Press **PRESET/FOLDER (▲/▼)** to select the preset number you want.
5. Press **PROG./MEMO.**
The station is stored.
6. Repeat steps 2 to 5 to store other stations.
7. Press to select a preset station;
 - On the remote control: **PRESET/FOLDER (▲/▼)** or **0 to 9 numerical buttons**
 - On the unit: **◀ PRESET - / ▶ PRESET +.**

Deleting all the saved stations

1. Press and hold **PROG./MEMO.** for two seconds.
"ERASE ALL" will flash up on the unit display.
2. Press **PROG./MEMO.** to erase all saved of the radio stations.

Improving poor FM reception

Press **▶ / ||** on the remote control. This will change the tuner from stereo to mono and usually improve the reception.

Advanced Operations

Listening to music from your portable player or external device

The unit can be used to play the music from many types of portable player or external devices. (Refer to the page 14)

1. Connect the portable player to the PORT.IN(PORTABLE IN) connector of the unit.

Or

Connect the external device to the AUX IN connector of the unit.

2. Turn the power on by pressing **POWER**.
3. Select the PORTABLE or AUX (L/R) INPUT function by pressing **FUNCTION** on the remote control or **AUX/PORTABLE/iPod** on the unit.
4. Turn on the portable player or external device and start it playing.

Recording to TAPE

You can record various sound sources to TAPE.

1. Open the tape deck and then insert a blank tape.
2. Select a function from which you want to record.
3. Playback a sound source first.
4. Press **Ⓜ** on the unit or **● REC** on the remote control.
> The display changed in the following order, "USB REC" <-> "TAPE REC"
5. Press the **Ⓜ** on the unit or **● REC** on the remote control button once more when "TAPE REC" is displayed.
> Recording starts.
6. To stop recording, press **■**.

Pausing recording

During TAPE recording, press **Ⓜ** on the unit or **● REC** on the remote control to pause recording. Press it again to restart recording. (Only Radio/ AUX)

Synchronized Recording from CD to Tape

1. Open the tape deck and then insert a blank tape.
2. Close the door and insert a CD.
> Audio CD only
3. Select CD function.
4. Press **■ SET/CD SYNC** in stop mode to move to CD synchronizing mode.
> Recording automatically starts 7 seconds later after "CD SYNC" blinks.
5. To stop, press **■**.

Recording to USB

You can record various sound sources to USB.

1. Connect the USB device to the unit.
2. Select a function from which you want to record.
 - One track recording** - You can record to USB after playing the file you want.
 - All tracks recording** - You can record to USB after stopping playback.
 - Program list recording** - After moving to the programmed list you can record it to USB.
3. Playback a sound source first.
4. Press **(R)** on the unit or **● REC** on the remote control.
 - > The display is changed in the following order, "USB REC" <-> "TAPE REC"
5. Press the **(R)** on the unit or **● REC** on the remote control button once more when "USB REC" is displayed.
 - > Recording starts.
6. To stop recording, press **■**.

To select recording bit rate and speed

1. Press **(R)** on the unit or **● REC** on the remote control for longer than 3 seconds.
 2. Press or rotate to select a bit rate;
 - On the remote control: **◀◀/▶▶**
 - On the unit: **MULITI JOG DIAL** or **◀◀/▶▶**
 3. Press **(R)** on the unit or **● REC** on the remote control again to select the recording speed.
 4. Press or rotate to select a desired recording speed;
 - On the remote control: **◀◀/▶▶**
 - On the unit: **MULITI JOG DIAL** or **◀◀/▶▶**
- X1 SPEED**
- You can listen to music while recording it.
- X2 SPEED**
- You can just record the music file.
5. Press **(R)** on the unit or **● REC** on the remote control to finish the setting.



NOTE

- You can check the recording percentage rate for the USB record on the display window during the recording. (MP3/ WMA CD Only)
- During recording MP3/ WMA, there is no sound.
- When you stop recording during playback, the file that has been recorded at that time will be stored. (AUDIO CD Only)
- Do not remove the USB device during USB recording. It will result in an incomplete file being made and may not be deleted on a PC.
- If USB recording does not work, messages like "NO USB", "ERROR", "USB FULL" or "NO REC" will be displayed on the display window.
- Multi card reader device or External HDD can not be used for USB recording.
- A file is recorded up to a maximum of 512 Mbyte when you record for a long term.
- When you stop recording during playback, the file will not be stored.
- You may not store more than 999 files.
- During recording, you can select a function by pressing, **CD, TAPE, AUX/ PORTABLE/ iPod, RADIO** on the unit or **FUNCTION** on the remote control.
- It'll be stored as follows.

AUDIO CD	MP3/ WMA	The other source*
<ul style="list-style-type: none"> ■ CD_REC ├ TRK_001 ├ TRK_002 └ ⋮ 	<ul style="list-style-type: none"> ■ FILE_REC ├ ABC(File name) ├ DEF(File name) └ ⋮ 	<ul style="list-style-type: none"> ■ EXT_REC ├ AUDIO_001 ├ AUDIO_002 └ ⋮

* : TUNER, AUX, TAPE, and the like.

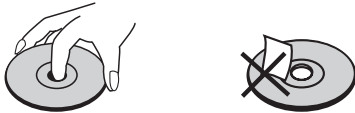
The making of unauthorized copies of copy-protected material, including computer programs, files, broadcasts and sound recordings, may be an infringement of copyrights and constitute a criminal offense. This equipment should not be used for such purposes.

**Be responsible
Respect copyrights**

5 Maintenance

Notes on Discs

Handling Discs

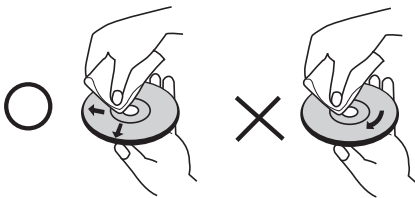


Never stick paper or tape on the disc.

Storing Discs

After playing, store the disc in its case. Do not expose the disc to direct sunlight or sources of heat and never leave it in a parked car exposed to direct sunlight.

Cleaning Discs



Do not use strong solvents such as alcohol, benzene, thinner, commercially available cleaners, or anti-static spray intended for older vinyl records.

Handling the Unit

When shipping the unit

Please save the original shipping carton and packing materials. If you need to ship the unit, for maximum protection, re-pack the unit as it was originally packed at the factory.

Keeping the exterior surfaces clean

Do not use volatile liquids such as insecticide spray near the unit.

Wiping with strong pressure may damage the surface.

Do not leave rubber or plastic products in contact with the unit for a long period of time.

Cleaning the unit

To clean the player, use a soft, dry cloth. If the surfaces are extremely dirty, use a soft cloth lightly moistened with a mild detergent solution. Do not use strong solvents such as alcohol, benzene, or thinner, as these might damage the surface of the unit.

Maintaining the Unit

The unit is a high-tech, precision device. If the optical pick-up lens and disc drive parts are dirty or worn, the picture quality could be diminished. For details, please contact your nearest authorized service center.

6 Troubleshooting

	PROBLEM	CAUSE	CORRECTION
General	No Power.	The power cord is not plugged in.	Plug in the power cord.
		Check whether electricity failed.	Check the condition by operating other electronic devices.
	No sound	Check whether you select right function.	Press FUNCTION and check the selected function.
		If not, connect speaker cables correctly.	Speaker cables connected correctly.
CD	The unit does not start playback.	An unplayable disc is inserted.	Insert a playable disc.
		No disc is inserted.	Insert a disc.
		The disc is dirty.	Clean the disc. (Refer to the 28 page)
		The disc is inserted upside down.	Place the disc with the label or printed side facing upwards.
RADIO	Radio stations cannot be tuned in properly.	The antenna is positioned or connected poorly.	Connect the antenna securely.
		The signal strength of the radio station is too weak.	Tune to the station manually.
		No stations have been preset or preset stations have been cleared (when tuning by scanning preset channels).	Preset some radio stations, see page 24 for details.
Remote control	The remote control does not work properly.	The remote control is too far from the unit.	Operate the remote control within about 23 ft (7 M.).
		There is an obstacle in the path of the remote control and the unit.	Remove the obstacle.
		The batteries in the remote control are exhausted.	Replace the batteries with new one.
TAPE	Unable to record.	Record protect tabs are removed.	Cover holes on back edge of tape with tape.
iPod	iPod does not work.	Check whether the player is connected to the unit correctly.	Connect it to the unit correctly.

7 Appendix

Trademarks and Licenses



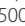
iPod is a trademark of Apple Inc., registered in the U.S. and other countries.

“Made for iPod” means that an electronic accessory has been designed to connect specifically to iPod and has been certified by the developer to meet Apple performance standards.

Apple is not responsible for the operation of this device or its compliance with safety and regulatory standards.

Specifications

General

- Power requirements:
Refer to main label.
- Power consumption:
Refer to main label.
- Dimensions (W x H x D):
(277 x 345 x 340) mm without foot
- Net Weight (Approx.):
5.7 kg
- Operating temperature:
41 °F to 95 °F (5 °C to 35 °C)
- Operating humidity:
5 % to 90 %
- Bus Power supply (USB/iPod):
DC 5 V  500 mA

Inputs/ Outputs

- ANALOG AUDIO IN:
2.0 Vrms (1 kHz, 0 dB), 600 Ω, RCA jack (L, R) x 1
- PORT. IN:
0.5 Vrms (3.5 mm stereo jack)

CD

- Frequency Response 40 to 20 000 Hz
- Signal-to-noise ratio 75 dB
- Dynamic range 80 dB

Tuner

FM Tuning Range:
87.5 to 108.0 MHz or 87.50 to 108.00 MHz

Amplifier

Front 180 W + 180 W (4 Ω at 1 kHz)
Subwoofer 200 W (3 Ω at 60 Hz)

Speakers

- Front speaker

Type:	2 Way 2 speaker
Impedance :	4 Ω
Rated Input Power:	180 W
Max. Input power:	360 W
Net Dimensions (W x H x D):	(240 x 387 x 336) mm
Net Weight:	5 kg
- Passive Subwoofer

Type:	1 Way 1 speaker
Impedance:	3 Ω
Rated Input Power:	200 W
Max. Input power:	400 W
Net Dimensions (W x H x D):	(261 x 331 x 409) mm
Net Weight:	6.5 kg

