

www.lgappliances.com.

LG

LG

ENGLISH

ESPAÑOL

LG

Window-Type Air Conditioner

MODELS: LP6010ER



IMPORTANT

- Please read this owner's manual carefully and thoroughly before installing and operating your room air conditioner.
- Please retain this owner's manual for future reference after reading it thoroughly.

PRECAUTIONS

- Antes de instalar y poner en marcha su ventilador de casa, haga el favor de leer cuidadosamente esta instrucción de Usuario.
- Luego de su lectura, guarde este manual para el futuro usuario para las referencias.

TABLE OF CONTENTS

1. Safety Precautions

2. Operating Instructions

3. Care and Maintenance

4. Hardware Installation

5. Common Issues

For Your Records

Write the model and serial numbers here:

Model # _____

Serial # _____

You can find them on a label on the side of each unit.

Dealer's Name _____

Date Purchased _____

Read This Manual

Inside you will find many helpful hints on how to use and maintain your air conditioner properly. Just a little preventive care on your part can save you a great deal of time and money over the life of your air conditioner.



You'll find many answers to common problems in the chart of troubleshooting tips. If you review our chart of **Troubleshooting Tips** first, you may not need to call for service at all.



CAUTION



- Contact the authorized service technician for repair or maintenance of this unit.
- Contact the installer for installation of this unit.
- The air conditioner is not intended for use by young children or invalids without supervision.
- Young children should be supervised to ensure that they do not play with the air conditioner.

To prevent injury and property damage, follow these instructions. Incorrect operation due to ignoring instructions might cause harm or damage, the seriousness of which is indicated by the following symbols.

	WARNING This symbol shows the possibility of death or serious injury.
	CAUTION This symbol indicates the possibility of injury or damage to property.

	Never Do This
	Always Do This

■ The following items are classified by these symbols.

 **WARNING** 

<p>ⓘ Plug in the power plug properly.</p> <ul style="list-style-type: none"> Doing so may cause electric shock or fire due to heat generation or electric shock. 	<p>⊗ Do not operate or stop the unit by inserting or pulling out the power plug.</p> <ul style="list-style-type: none"> Doing so may cause electric shock or fire due to heat generation. 	<p>⊗ Do not damage or use an unspecified power cord.</p> <ul style="list-style-type: none"> Doing so may cause electric shock or fire. If the supply cord is damaged, it must be replaced by the manufacturer, the manufacturer's service agent, or a similarly qualified person in order to avoid a hazard. (Y attachment)
<p>ⓘ Do not modify power cord length or share the outlet with other appliances.</p> <ul style="list-style-type: none"> Doing so may cause electric shock or fire due to heat generation. 	<p>⊗ Do not operate with wet hands or in damp environment.</p> <ul style="list-style-type: none"> Doing so may cause electric shock. 	<p>⊗ Do not direct airflow at room occupants only.</p> <ul style="list-style-type: none"> This could damage your health.
<p>ⓘ Always plug into a grounded outlet.</p> <ul style="list-style-type: none"> No grounding may cause electric shock (See Installation Manual). 	<p>⊗ Do not allow water to run into electric parts.</p> <ul style="list-style-type: none"> Doing so may cause failure of machine or electric shock. 	<p>⊗ Always install air leakage breaker and a dedicated switching board.</p> <ul style="list-style-type: none"> Failure to install these may cause fire or electric shock accident.
<p>ⓘ Unplug the unit if strange sounds, odors, or smoke comes from it.</p> <ul style="list-style-type: none"> Such a unit may pose a risk of fire or electric shock accident. 	<p>⊗ Do not use the socket if it is loose or damaged.</p> <ul style="list-style-type: none"> Doing so may cause fire or electric shock. 	<p>⊗ Do not open the entrance during operation.</p> <ul style="list-style-type: none"> It may cause electric shock.
<p>ⓘ Keep firearms away.</p>	<p>⊗ Do not use the power cord close to heating tools.</p> <ul style="list-style-type: none"> Doing so may cause fire or electric shock. 	<p>⊗ Do not use the power cord near flammable gas or combustibles such as gasoline, benzene, thinner, etc.</p> <ul style="list-style-type: none"> Doing so may lead to an explosion or fire.



WARNING

! Ventilate before operating air conditioner when gas goes out.

⊗ Do not disassemble or modify products randomly.

- Operating the air conditioner in the presence of gas vapors can lead to explosions and fire.
- Doing so may cause failure or electric shock.



CAUTION

⊗ Never touch the metal parts of the unit when removing the filter.

- They are sharp and may cause injury.

! When cleaning the unit, first make sure the power is off and the cord is unplugged.

- Since the fan rotates at high speed during operation, it may cause injury if activated while cleaning.

! Stop operation in storm or hurricanes.

- Operation with windows opened may cause wetting of indoor and soaking of household furniture.

⊗ Do not place obstacles around the absorption inlet or output.

- Doing so may cause failure of appliance or accident.

⊗ Do not use abrasives or strong detergent such as wax or thinner. Always use a soft cloth.

- Otherwise, the products appearance may be damaged due to change of product color or scratching of its surface.

! If water enters the product, turn off the the power switch of the main body of appliance. Contact service center after taking the power-plug out from the socket.

⊗ Do not clean the air conditioner with water.

- Water may enter the unit and degrade the insulation. It also may cause an electric shock.

⊗ Do not put a pet or house plant where it will be exposed to direct air flow.

- This could injure the pet or plant.

! Hold the plug by the head when taking it out.

- Improper handling may cause electric shock or damage.

! Ensure that an installation console of the outdoor appliance is not damaged due to extened use.

- If the previous air conditioner damaged the console, there is a risk of the new unit falling.

⊗ Do not place heavy object on the power cord and take care so that the cord is not pinched.

- Treating the power cord carelessly poses a danger of fire or electric shock.

If the liquid from the batteries gets onto your skin or clothes, wash it well with clean water. Do not use the remote if the batteries have leaked.

- The chemicals in batteries could cause burns or other health hazards.

! Operate only in a well ventilated area when using in the presence of a stove, etc.

- An oxygen shortage may otherwise occur.

⊗ Do not use appliance for special purpose such as climate control for animals or vegetables, precision machine, or conservation of art articles

- It may cause damage of animals or vegetables or loss of property.

! Turn off the main power switch when not using it for a long time.

- Doing so can prolong the life of the product.

! Always insert filters securely. Clean them every two weeks.

- Operation without filters will cause failure.

⊗ Do not drink water drained from air conditioner.

- It contains contaminants that would make you sick.

If you eat the liquid from the batteries, brush your teeth and see doctor. Do not use the remote if the batteries have leaked.

- The chemicals in batteries could cause burns or other health hazards.



Preparing for operation

- 1 Contact an installation specialist for installation.
- 2 Plug in the power plug properly.
- 3 Do not share the same outlet with other appliances
- 4 Do not use an extension cord.
- 5 Do not start/stop operation by plugging/unplugging the power cord.
- 6 If cord/plug is damaged, replace only with an authorized part.

Usage

- 1 Being exposed to direct airflow for an extended period of time could be hazardous to your health. Do not expose occupants, pets, or plants to direct airflow for extended periods of time.
- 2 Due to the possibility of oxygen deficiency, ventilate the room when using together with stoves or other heating devices.
- 3 Do not use this air conditioner for non-specified special purposes (e.g. preserving precision devices, food, pets, plants, and art objects). Usage in such a manner could harm such property.

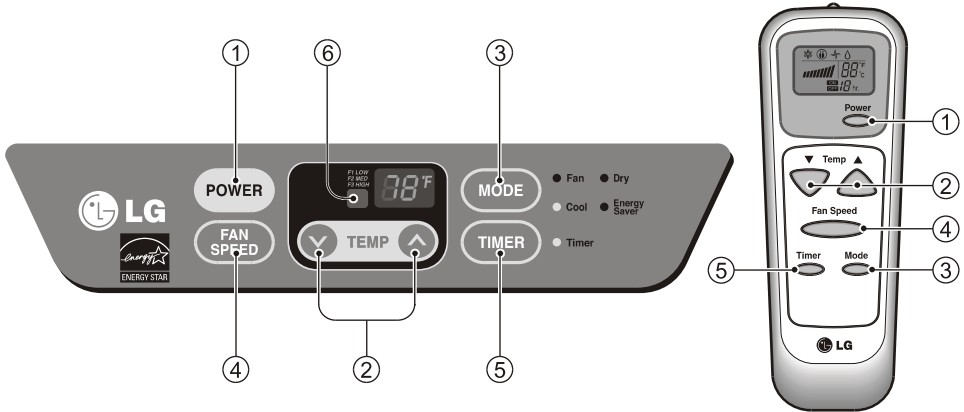
Cleaning and maintenance

- 1 Do not touch the metal parts of the unit when removing the filter. Injuries can occur when handling sharp metal edges.
- 2 Do not use water to clean inside the air conditioner. Exposure to water can destroy the insulation, leading to possible electric shock.
- 3 When cleaning the unit, first make sure that the power and breaker are turned off. The fan rotates at a very high speed during operation. There is a possibility of injury if the unit's power is accidentally triggered on while cleaning inner parts of the unit.

Service

For repair and maintenance, contact your authorized service dealer.

The remote control and control panel will look like those represented in the following pictures.



Remote Control Operations

1 POWER

- To turn the air conditioner ON, push this button.
- To turn the air conditioner OFF, push the button again.
- This button takes priority over any other button.
- When you first turn it on, the unit is in cool mode, high fan speed, temperature setting at 72°F.

2 TEMPERATURE SETTING

- Use this button to automatically control the temperature of the room.
- The temperature can be set within a range of 60°F to 86°F by increments of 1°F.

3 MODE

- Every time you push this button, it will cycle through the following modes: COOL, ENERGY SAVER, FAN and DRY.

Dry mode is used to remove humidity from the room without additional cooling.

Once the set temperature is reached, the compressor and circulation fan turns off.

Fan speed is pre-set and cannot be adjusted.

- ENERGY SAVER

- The fan stops when the compressor stops cooling. Approximately every 3 minutes the fan will turn on and the unit will check the room air to determine if cooling is needed.

4 FAN SPEED

- Every time you push this button, it advances the setting as follows: {High(F3) → Low(F1) → Med(F2) → High(F3)}

5 TIMER

- SHUT-OFF TIME

- You will usually use shut-off time while you sleep.
- With unit running, use Timer to set number of hours until shut-off.
- For your sleeping comfort, once Time is set, the Temperature setting will raise 2°F after 30 min, and 2°F after another 30 min.
- Every time you push Timer button, it advances the Timer setting as follows: 1 Hour → 2 Hours → etc. → 12 Hours maximum.

- START TIME

- With unit not running, use timer to set number of hours before unit starts.
- Every time you push Timer button, it advances the Timer setting as follows: 1 Hour → 2 Hours → etc. → 12 Hours maximum.

6 REMOTE CONTROL SENSOR

AUTO RESTART

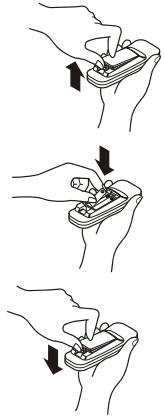
When power is restored after an electrical power failure, the unit will begin to run at its last setting.

Inserting the Remote Control Batteries

- 1 Push out the cover on the back of the remote control with your thumb.
- 2 Pay attention to polarity and insert two new AAA 1.5V batteries.
- 3 Reattach the cover.

NOTE: Do not use rechargeable batteries. Make sure that both batteries are new.

- In order to prevent discharge, remove the batteries from the remote control if the air conditioner is not going to be used for an extended period of time. Keep the remote control away from extremely hot or humid places. To maintain optimal operation of the remote control, the remote sensor should not be exposed to direct sunlight.
- The remote control can be mounted on a wall using the mountable holder.

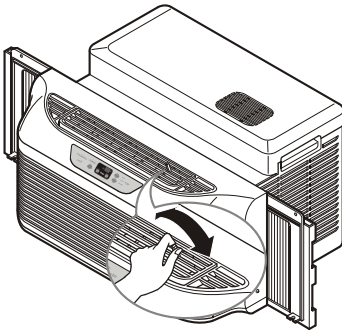


Adjusting the Air Flow Direction

Airflow can be adjusted by changing the direction of the air conditioner's louvers. This can also increase the cooling efficiency of the air conditioner.

- **Adjusting Horizontal Air Flow Direction**

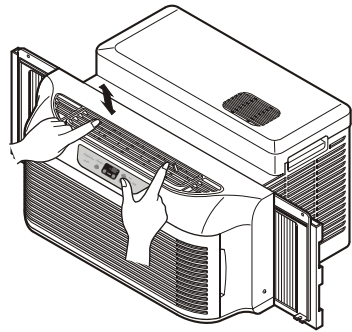
Adjusting the vertical louvers left and right will change horizontal airflow.



Adjusting horizontal air flow

- **Adjusting Vertical Air Flow Direction**

Adjusting the horizontal vane up and down will change vertical airflow. The vane can be adjusted by nudging the vane backward or forward.



Adjusting vertical air flow

- **Recommended orientation of louvers**

Adjust louvers to face upwards when cooling to maximize cooling efficiency.

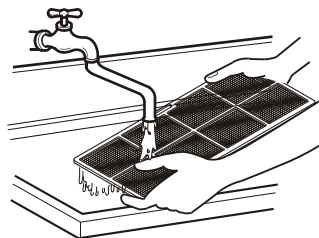
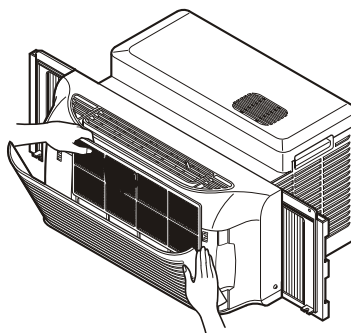
Turn the power off and unplug the power plug before cleaning the air conditioner.

Air Filter

The Air Filter will become dirty as it removes dust from the inside air. It should be washed at least every 2 weeks. If the Air Filter remains full of dust, the air flow will decrease and the cooling capacity will be reduced, possibly damaging the unit.

How to remove the air filter

- 1 Pull the inlet grille forward, grasping both tabs, then pull out the air filter.
- 2 Wash the Air Filter under the faucet with warm water. Be sure to shake off all the water before replacing the filter.



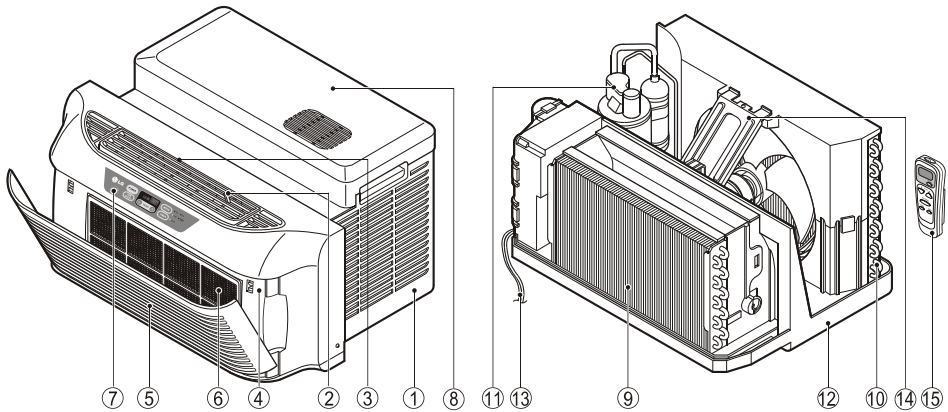
NOTE : In humid weather, excess water may cause the BASE PAN to overflow and be splashed on the louver.

Product Features



CAUTION

This appliance should be installed in accordance with national wiring regulations. The following information serves as a guide to help to explain product features.

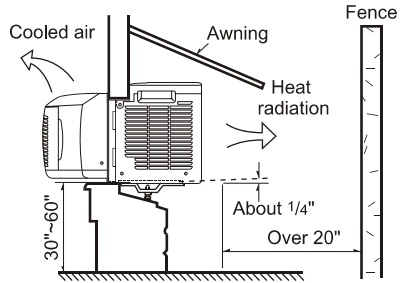


1. CABINET
2. VERTICAL AIR DEFLECTOR
(HORIZONTAL LOUVER)
3. HORIZONTAL AIR DEFLECTOR
(VERTICAL LOUVER)
4. FRONT GRILLE
5. AIR INTAKE (INLET GRILLE)
6. AIR FILTER
7. CONTROL PANEL

8. TOP COVER
9. EVAPORATOR
10. CONDENSER
11. COMPRESSOR
12. BASE PAN
13. POWER CORD
14. BRACE
15. REMOTE CONTROLLER

How to Install the Unit

- 1 To prevent vibration and noise, make sure the unit is installed securely and firmly.
- 2 Install the unit where the sunlight does not shine directly on the unit.
- 3 The outside of the cabinet must extend outward and there should be no obstacles, such as a fence or wall, within 20" from the back of the cabinet because it will prevent heat radiation of the condenser. Restriction of outside air will greatly reduce the cooling efficiency of the air conditioner.



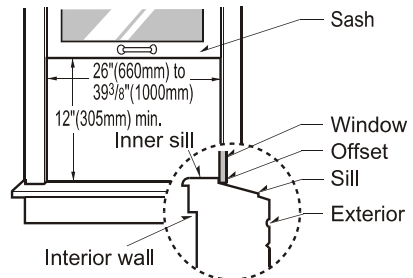
CAUTION: All side louvers of the cabinet must remain exposed to the outside of the structure.

- 4 Install the unit a little slanted so the back is slightly lower than the front (about 1/4"). This will force condensed water to flow to the outside.
- 5 Install the unit with the bottom about 30"~60" above the floor level.

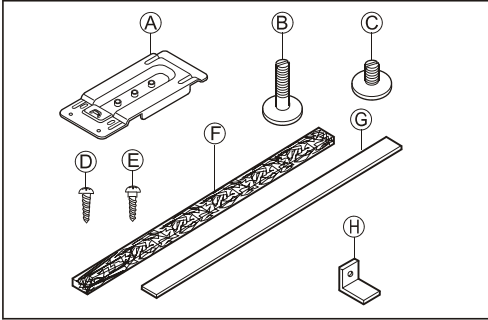
Window Requirements

NOTE: All supporting parts should be secured to firm wood, masonry, or metal.

- This unit is designed for installation in standard double hung windows with actual opening widths from 26" to 39 3/8".
- The top and bottom window sash must open sufficiently to allow a clear vertical opening of 12" from the bottom of the upper sash to the window stool.



Installation Kits Contents



ITEM	NAME OF PARTS	Q'TY
A	SUPPORT, BRACKET	1
B	LEVELING BOLT	1
C	LEVELING BOLT	1
D	SCREW: 5/8"	2
E	SCREW: 5/8"	5
F	FOAM SEAL	1
G	FOAM STRIP	1
H	L BRACKET	1

Suggested Tool Requirements

SCREWDRIVER(Phillips and Flathead), RULER, KNIFE, HAMMER, PENCIL, LEVEL

Installation



CAUTION

To avoid the possibility of personal injury, unplug power to unit before installing or servicing.

Carefully remove air conditioner from carton, check for possible shipping damage. Pick a location which will allow you to blow the cold air into the area you want. Windows used for installation must be strong enough to support the weight of the air conditioner. Good installation with special attention to the proper position of the unit will lessen the chance that service will be needed.

When cooling more than one room, installation location is very important. To cool your rooms, cold air must be blown from the air conditioner in a straight path.

If air conditioner is blocked by a storm window frame, see Step 7 and 8 on Page 14 before beginning to install.

How to Install

1 Cut the FOAM STRIP (ITEM G) to fit the underside of the window sash. Open the window, peel off the backing and attach the FOAM STRIP as shown in FIG. 1.

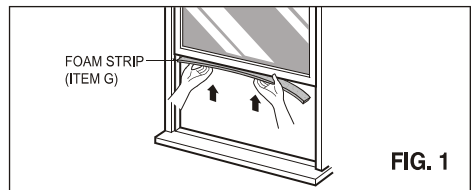


FIG. 1

2 Mark center line with pencil on the center of the inner sill, as shown in FIG. 2.

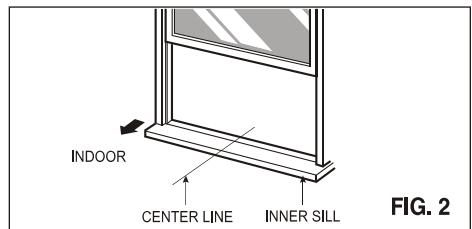


FIG. 2

3 Install support bracket on window. See FIG. 3. Install leveling bolt up through bottom side of support bracket. You can choose a short bolt (ITEM C) or a long one (ITEM B) according to window type. Also, you should select the position of hole on bracket. Position bracket on sill 1 inch (25.4mm) to left of center line of window (See FIG. 3). Fasten bracket loosely to sill with screws (ITEM D) provided. Adjust leveling bolt so that the air conditioner will be installed with a very slight tilt (about 1/4") downward toward the outside for proper drainage. Tighten bracket screws.

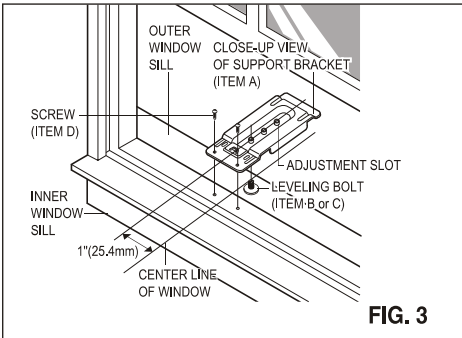


FIG. 3

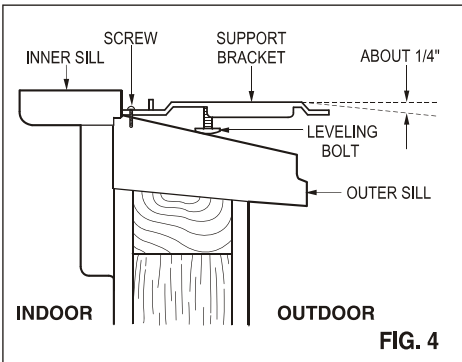


FIG. 4

CAUTION
Failure to securely install support bracket may result in unit falling from window if window sash is raised after unit is installed. This could result in personal injury.

4 INSTALL THE AIR CONDITIONER IN THE WINDOW

- Carefully lift the air conditioner and slide it into the open window. Be careful not to hurt waist in this operation.
- Use the two hand grips on top sides of unit to lift unit.
- Make sure that support bracket is inserted in the pocket under base fan, and that curtain frame guide is stopped by stopper on the support bracket as shown in FIG.6.

NOTE: When unit is properly centered and pushed outward to correct bracket location, you will feel unit drop securely in place on the support bracket. Hold unit firmly during this procedure.

- Lower top window sash all the way down so that sash sits firmly in top channel of unit and expandable curtain frames.

CAUTION
During the following step, hold unit firmly until window sash is lowered to top channel behind curtain frames. Personal injury or property damage may result if unit falls from window.

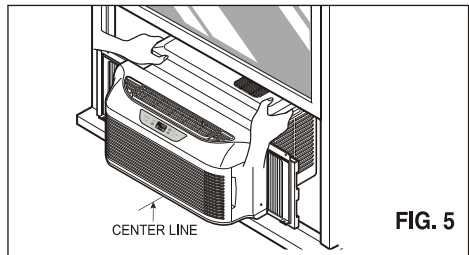


FIG. 5

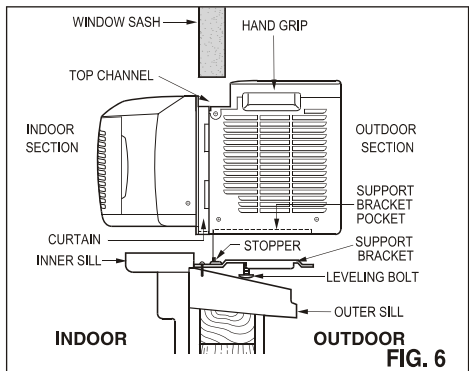


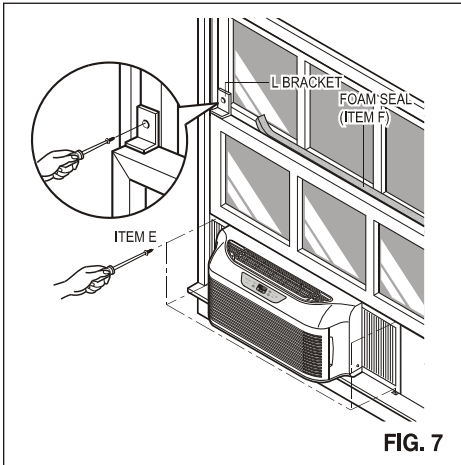
FIG. 6

5 SECURE THE CURTAIN FRAMES

Expand the curtain frames and secure them using 5 screws (ITEM E) as shown in FIG. 7. When curtain frame opens or closes, you may feel a slight resistance. This is normal.

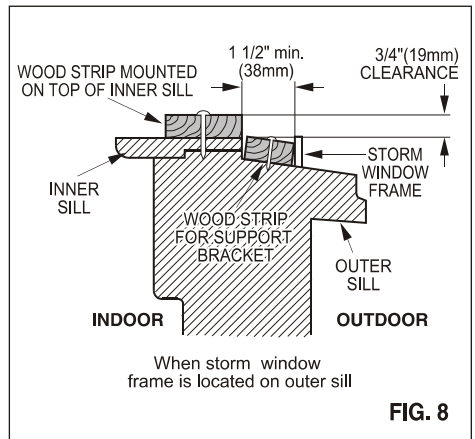
6 FOAM SEAL AND WINDOW LOCK

- Cut the foam seal (ITEM F) to the window width. Stuff the foam seal between the glass and the window to prevent air and insects from getting into the room, as shown in FIG.7.
- Install the L bracket to prevent window from being raised which may result in unit falling.



7 IF AIR CONDITIONER IS BLOCKED BY STORM WINDOW FRAME

- If storm window presents interference, fasten a 2"(51mm) wide wood strip to the inner window sill across the full width of the sill. The wood strip should be thick enough to raise the height of the window sill so that unit can be installed without interference from the the storm window frame. See FIG. 8. Top of wood strip should be approximately 3/4"(19mm) higher than the storm window frame to help condensation to drain properly to the outside.
- Install a second wood strip (approximately 6"(152mm) long by 1 1/2"(38mm) wide and same thickness as first strip) in the center of the outer sill flush against the back of the inner sill (FIG. 8)



CAUTION

Failure to securely install support bracket may result in unit falling from window if window sash is raised after unit is installed. This could result in personal injury.

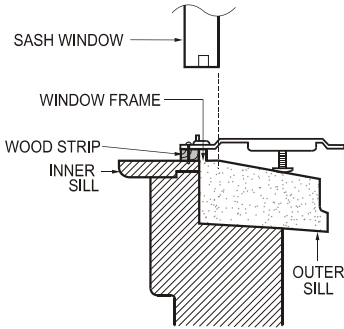
NOTE: If window sash has a metal surface, use sheet metal screws instead of the provided wood screws. Obtain sheet metal screws at local hardware store.

8 INSTALLATION FOR OTHER TYPE WINDOWS.

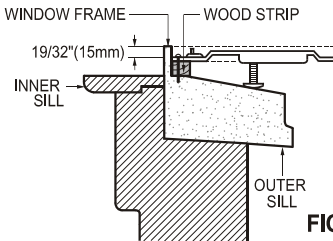
- Dimensions and geometry of windows are different according to manufacturers. Check your window and refer to FIG.9 to install the support bracket firmly.

(a) When window frame is located on inner sill.

- Install a wood strip (window width long and window frame height high) on the inner sill.

**(b) When the window frame is higher than 19/32" (15mm)**

- Install a wood strip (about 4" (102mm) long) on the outdoor sill to raise support bracket.

**FIG. 9****REMOVAL FROM WINDOW**

- Turn off and unplug the air conditioner.
- Unscrew the side screws that you installed in Step 5, 6.
- Close the curtain frame and remove foam seal and L bracket from the windows.
- Keep a firm grip on the air as you the sash.
- Lift the air conditioner from the window and remove the foam strip from between the windows.
- Remove the support bracket from window frame.

NOTE: When cooling season is over, unit is removed from window for cleaning and storage. There may still be some condensation water in the basepan. Remove the unit carefully to avoid water being spilled out on floor. Always store unit flat on its base. Do not stand it on its end. Be sure to remove support bracket, L bracket, and foam seal from window and save. Window will not close if support bracket remains installed.

**CAUTION**

- Air conditioners covered in this manual pose an excessive weight hazard. Two or more people are needed to move and install the unit. To prevent injury or strain, use proper lifting and carrying techniques when moving unit.
- When handling the air conditioner, be careful to avoid cuts from sharp metal fins on front and rear coils.
- Make sure air conditioner does not fall during removal.

Electrical Safety

OBSERVE ALL LOCAL CODES AND ORDINANCES.

DO NOT, UNDER ANY CIRCUMSTANCES, REMOVE THE POWER SUPPLY CORD GROUND PRONG.


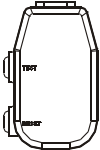


ELECTRICAL GROUND IS REQUIRED ON THIS APPLIANCE.

A 115-volt 60 Hz, AC only, 15A fused and properly grounded electrical supply is required. A time delay fuse or time delay circuit breaker is recommended. Use a dedicated circuit, serving only this appliance.





DO NOT USE AN EXTENSION CORD.

RECOMMENDED GROUNDING METHOD

For your personal safety, this appliance must be grounded. This appliance has a power supply cord with a 3-prong grounding plug. To minimize possible shock hazard, the cord must be plugged into a mating grounding type wall receptacle and grounded in accordance with the National Electrical Code (ANSI/NFPA 70) latest edition and all local codes and ordinances. If a mating wall receptacle is not available, it is the personal responsibility and obligation of the customer to have a properly grounded 3-prong wall receptacle installed by a qualified electrician.

115V~		230V~		Power cord may include a current interrupter device. A test and reset button is provided on the plug case. The device should be tested on a periodic basis by first pressing the TEST button and then the RESET button. If the TEST button does not trip or if the RESET button will not stay engaged, discontinue use of the air conditioner and contact a qualified service technician.
				

NOTE: The shape may be different according to its model.

Use Wall Receptacle	Power Supply	<p>⚠ WARNING</p>  <p>Electrical Shock Hazard Plug into a grounded 3 prong outlet. Do not remove ground prong. Do not use an adapter. Do not use an extension cord. Failure to follow these instructions can result in death, fire, or electrical shock.</p>
 <p>Standard 125V, 3-wire grounding receptacle rated 15A, 125V AC</p>	<p>Use 15 AMP. time delay fuse or 15 AMP. circuit breaker.</p>	
 <p>Standard 250V, 3-wire grounding receptacle rated 15A, 250V AC</p>		
 <p>Standard 250V, 3-wire grounding receptacle rated 20A, 250V AC</p>	<p>Use 20 AMP. time delay fuse or 20 AMP. circuit breaker.</p>	

**IMPORTANT
(PLEASE READ CAREFULLY)**

FOR THE USER'S PERSONAL SAFETY, THIS APPLIANCE MUST BE PROPERLY GROUNDED

The power cord of this appliance is equipped with a three-prong (grounding) plug. Use this with a standard three-slot (grounding) wall power outlet (FIG. 10) to minimize the hazard of electric shock. The customer should have the wall receptacle and circuit checked by a qualified electrician to make sure the receptacle is properly grounded.

PREFERRED METHOD



Ensure proper ground exists before use

FIG. 10

DO NOT CUT OR REMOVE THE THIRD (GROUND) PRONG FROM THE POWER PLUG.

A. SITUATIONS WHEN THE APPLIANCE WILL BE DISCONNECTED OCCASIONALLY:

TEMPORARY METHOD

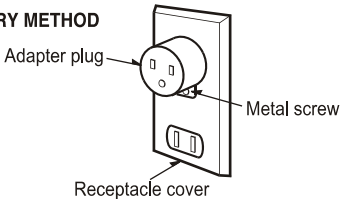


FIG. 11

Because of potential safety hazards, we strongly discourage the use of an adapter plug. However, if you wish to use an adapter, a TEMPORARY CONNECTION may be made. Use UL-listed adapter, available from most local hardware stores (FIG. 11). The large slot in the adapter must be aligned with the large slot in the receptacle to assure a proper polarity connection.

CAUTION: *Attaching the adapter ground terminal to the wall receptacle cover screw does not ground the appliance unless the cover screw is metal, and not insulated, and the wall receptacle is grounded through the house wiring. The customer should have the circuit checked by a qualified electrician to make sure the receptacle is properly grounded.*

Disconnect the power cord from the adapter, using one hand on each. Otherwise, the adapter ground terminal might break. **DO NOT USE** the appliance with a broken adapter plug.

B. SITUATIONS WHEN THE APPLIANCE WILL BE DISCONNECTED OFTEN.

Do not use an adapter plug in these situations. Unplugging the power cord frequently can lead to an eventual breakage of the ground terminal. The wall power outlet should be replaced by a three-slot (grounding) outlet instead.

USE OF EXTENSION CORDS

Because of potential safety hazards, we strongly discourage the use of an extension cord. However, if you wish to use an extension cord, use a CSA certified/UL-listed 3-wire (grounding) extension cord, rated at 15A, 125V.

Before calling for service, please review the following list of common problems and solutions.

The air conditioner is operating normally when:

- You hear a pinging noise. This is caused by water being picked up by the condenser on rainy days or in highly humid conditions. This feature is designed to help remove moisture in the air and improve cooling efficiency.
- You hear the thermostat click. This is caused by the compressor cycle starting and stopping.
- You see water dripping from the rear of the unit. Water may be collected in the base pan in highly humid conditions or on rainy days. This water overflows and drips from the rear of the unit.
- You hear the fan running while the compressor is silent or fan mode. This is a normal operational feature.

The air conditioner may be operating abnormally when:

Problem	Possible Causes	What To Do
Air conditioner does not start	■ The air conditioner is unplugged.	Make sure the air conditioner plug is pushed completely into the outlet.
	■ The fuse is blown/circuit breaker is tripped.	Check the house fuse/circuit breaker box and replace the fuse or reset the breaker.
	■ Power failure.	If power failure occurs, turn the mode control to Off (Mechanical Type) . When power is restored, wait 3 minutes to restart the air conditioner to prevent tripping of the compressor overload.
	■ The current interrupter device is tripped.	Press the RESET button located on the power cord plug. If the RESET button will not stay engaged, discontinue use of the air conditioner and contact a qualified service technician.
Air conditioner does not cool as it should	■ Airflow is restricted.	Make sure there are no curtains, blinds, or furniture blocking the front of the air conditioner.
	■ The thermostat may not be set high enough.	Turn the knob to a higher number The highest setting provides maximum cooling.
	■ The air filter is dirty.	Clean the filter at least every 2 weeks. See the care and Maintenance section.
	■ The room may have been hot.	When the air conditioner is first turned on, you need to allow time for the room to cool down.
	■ Cold air is escaping.	Check for open furnace floor registers and cold air returns.
	■ Cooling coils have iced up.	See Air Conditioner Freezing Up below.
Air conditioner freezing up	■ Ice blocks the air flow and stops the air conditioner from cooling the room.	Set the mode control at High Fan or High Cool with thermostat at 1 or 2.

You can refer to the Energy Star program in detail at www.energystar.gov.

Memo

A series of horizontal dotted lines for writing.

LG

Acondicionador de aire tipo ventana

MANUAL DEL USUARIO

MODELOS: LP6010ER



LG

ESPAÑOL

IMPORTANTE

Tenga a bien leer cuidadosamente este manual. Contiene información valiosa acerca del acondicionador de aire. Este manual puede ayudarlo a ahorrar tiempo y dinero; describe el mantenimiento adecuado del acondicionador y cómo evitar su uso incorrecto.

PRECAUCIONES

Preste atención a las precauciones a fin de prevenir riesgos potenciales y daño causado por mal uso o instalación inadecuada. LG no se responsabiliza por ningún daño causado por el mal uso del acondicionador.

TABLA DE CONTENIDOS

1. Precauciones de seguridad

2. Instrucciones operativas

3. Cuidado y mantenimiento

4. Instalación de la unidad

5. Problemas habituales

Para su archivo

Escriba el modelo y número de serie aquí:

Modelo # _____

Serie # _____

Puede encontrarlos en una etiqueta al costado de cada unidad.

Nombre del proveedor _____

Fecha de la compra _____

Lea este Manual

En el interior encontrará muchas sugerencias útiles sobre como usar y mantener adecuadamente su acondicionador de aire. Sólo un poco de cuidado preventivo por su parte, le puede ahorrar mucho tiempo y dinero con respecto a la vida útil de su acondicionador

Encontrará muchas respuestas a problemas comunes en el cuadro de solución de problemas. Si previamente revisa nuestro cuadro de **Sugerencias de solución de problemas**, podría no necesitar llamar al servicio.



PRECAUCIONES

- Contacte al técnico de servicio autorizado para reparación o mantenimiento de esta unidad.
- Contacte al técnico instalador para la instalación de esta unidad.
- El acondicionador de aire no está hecho para uso de niños pequeños o personas inválidas sin vigilancia.
- Los niños pequeños deben ser vigilados para asegurarse de que no jueguen con el acondicionador.

Para prevenir lesiones a las personas y daños a las cosas, siga estas instrucciones. El funcionamiento incorrecto debido a no seguir las instrucciones causará daño o perjuicio, la gravedad de los cuales está indicada por los siguientes símbolos:



ADVERTENCIAS Este símbolo muestra la posibilidad de muerte o lesiones graves.



PRECAUCIONES Este símbolo indica la posibilidad de lesiones a la persona o daño a los objetos.



Nunca haga esto



Siempre haga esto

■ Los siguientes ítems se clasifican por estos símbolos.



ADVERTENCIA

⚠ **Enchufe la corriente adecuadamente.**

- De otro modo, causará descarga eléctrica o incendio debido a la generación de calor.

⚠ **No modifique la longitud del cable de corriente eléctrica ni haga que éste comparta la salida con otros artefactos.**

- Causará descarga eléctrica o incendio debido a la generación de calor.

⚠ **Siempre enchufe las piezas eléctricas en una salida conectada a masa.**

- Si no hay conexión a masa, se puede producir una descarga eléctrica. (Vea el Manual de instalación).

⚠ **Desenchufe la unidad si se producen sonidos u olores extraños en la unidad.**

- Puede causar incendio y accidente eléctrico.

⚠ **Mantenga lejos las armas de fuego**

- Puede causar incendio.

⊗ **No haga funcionar o detenga la unidad insertando o tirando del enchufe.**

- Causará descarga eléctrica o incendio debido a la generación de calor.

⊗ **No haga funcionar la unidad con las manos húmedas o en un ambiente húmedo.**

- Puede causar descarga eléctrica.

⊗ **No permita la entrada de agua**

- Puede causar una falla del motor o una descarga eléctrica.

⊗ **No use el tomacorriente si está suelto o dañado.**

- Puede causar incendio y accidente eléctrico.

⊗ **No use el cable de corriente cerca de las herramientas de calentamiento.**

- Puede causar incendio y descarga eléctrica.

⊗ **No dañe ni use un cable no especificado.**

- Causará descarga eléctrica o incendio.
- Si el cable provisto se daña, debe reemplazarse con indicaciones del fabricante o su agente de servicio o una persona igualmente calificada a fin de evitar todo riesgo. (Conexión en Y)

⊗ **No dirija el flujo de aire sólo a los ocupantes de la habitación.**

- Esto puede dañar su salud.

⊗ **Instale siempre un ruptor de fugas y un tablero de conmutación para esto.**

- No instalarlo puede causar incendio y/o accidente eléctrico.

⊗ **No abra la entrada cuando esté funcionando.**

- Puede causar incendio y accidente eléctrico.

⊗ **No use el cable de corriente cerca de gas inflamable o combustibles tales como gasolina, benzina, solvente, etc.**

- Puede causar explosión o incendio.

⚠️ ADVERTENCIA

❗ **Ventile antes de hacer funcionar el acondicionador de aire cuando sale el gas.**

- Puede causar explosión, incendio, quemaduras.

⊗ **No desarme o modifique los productos según su criterio.**

- Puede causar fallos y descarga eléctrica.

⚠️ PRECAUCIONES

⊗ **Nunca toque las piezas de metal de la unidad cuando quite el filtro.**

- Son filosas y pueden causar lesiones.

❗ **Cuando limpie la unidad, asegúrese antes de que la corriente eléctrica y el interruptor estén desconectados.**

- Como el ventilador gira a alta velocidad cuando está funcionando, puede causar lesiones.

❗ **Detenga el funcionamiento en lluvias o huracanes.**

- El funcionamiento con las ventanas abiertas puede causar humedad en el interior y mojar los muebles en la casa.

⊗ **No coloque obstáculos dentro del radio de entrada o salida de aire.**

- Puede causar fallos en la unidad o accidentes.

⊗ **No use detergentes fuertes o ceras o solventes; use un paño suave.**

- La unidad puede aparecer deteriorada debido a cambio de color o raspaduras en su superficie.

❗ **Si entra agua a la unidad, gire el interruptor principal del artefacto. Tome contacto con el centro de servicio después de desconectar el enchufe del tomacorriente.**

⊗ **No limpie la unidad de aire acondicionado con agua.**

- Puede entrar agua en la unidad y disminuir la aislación. Puede causar una descarga eléctrica.

⊗ **No coloque una mascota o una planta donde quede expuesto al flujo directo de aire.**

- Este puede causar lesiones o daños en la mascota o la planta.

❗ **Sostenga el enchufe por el cuerpo (no del cable) cuando lo saque.**

- Puede causar descarga eléctrica y daño.

❗ **Asegúrese que una instalación de consola del dispositivo exterior no esté dañada debido a uso prolongado.**

- Si se deja la unidad averiada, hay posibilidad de daños debido a que esta puede caer. Hay responsabilidad sobre el daño debido a falla del producto.

⊗ **No coloque objetos sobre el cable de corriente y cuide que el cable no quede presionado.**

- Hay peligro de incendio o de descarga eléctrica.

❗ **Si entra líquido de las pilas en contacto con la piel o la ropa, lávela inmediatamente con agua. No utilice el control remoto si las pilas tienen fugas.**

- Los productos químicos de las pilas podrían causar quemaduras u otros perjuicios a la salud.



❗ **Ventile bien cuando se use junto a una estufa, etc.**

- Puede ocasionar falta de oxígeno.

⊗ **No use la unidad para propósitos especiales tales como animales o vegetales, máquinas de precisión o conservación de artículos de arte.**

- Puede causar daño a los animales o vegetales y pérdida de objetos.

❗ **Desconecte el interruptor principal de energía cuando no lo esté usando.**

- Puede causar daño a la unidad o incendio.

❗ **Siempre asegure los filtros al insertarlos. Límpielos cada dos semanas.**

- El funcionamiento sin filtros puede dañar la unidad.

⊗ **No beba el agua drenada del acondicionador de aire.**

- Contiene elementos que pueden ser nocivos para su salud.

❗ **Si el líquido de las pilas alcanzara su boca, cepíle sus dientes y consulte a un médico. No utilice el mando a distancia si las pilas han experimentado fugas.**

- Los productos químicos de las pilas podrían causar quemaduras u otros perjuicios a la salud.



Preparar para el funcionamiento

- 1 Contactar un especialista para la instalación.
- 2 Coloque el enchufe correctamente.
- 3 No comparta la salida con otros artefactos.
- 4 No use un cable de extensión.
- 5 No arranque/detenga el funcionamiento enchufando/desenchufando el cable de corriente eléctrica.
- 6 Si cuerda/tapón se daña, reemplace sólo con una parte autorizada.

Uso

- 1 Estar expuesto al flujo directo de aire por un período largo de tiempo puede constituir un riesgo para su salud. No exponga a las personas, mascotas o plantas al flujo directo por períodos largos de tiempo.
- 2 Debido a la posibilidad de falta de oxígeno, ventile la habitación cuando se use al mismo tiempo que estufas u otros dispositivos de calefacción.
- 3 No use este acondicionador de aire para propósitos determinados no especificados (por ej.: preservar dispositivos de precisión, alimentos, cachorros, plantas y objetos de arte). Usarlo de esta manera puede dañar tales elementos.

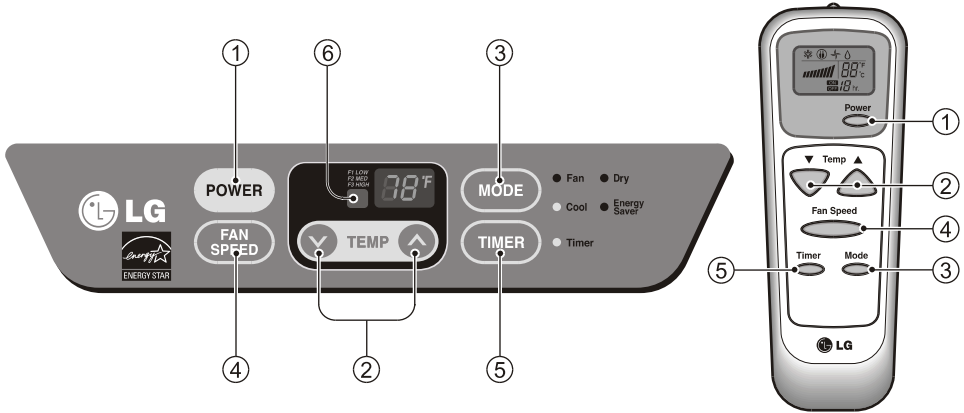
Limpieza y mantenimiento

- 1 No toque las partes de metal de la unidad cuando quite el filtro. Puede lastimarse cuando manipule bordes filosos de metal.
- 2 No use agua para limpiar adentro del acondicionador. La exposición al agua puede destruir la aislación y esto a su vez provocar una descarga eléctrica.
- 3 Cuando limpie la unidad, asegúrese que la corriente y el interruptor estén desconectados. El ventilador gira a muy alta velocidad cuando está funcionando. Existe la posibilidad de lesionarse si la energía se conecta accidentalmente cuando esté limpiando las piezas internas de la unidad.

Servicio

Para reparación y mantenimiento, contacte a su proveedor de servicio.

El control remoto y el panel de control se verán como una de las siguientes figuras.



Funcionamiento del control remoto

1 ENERGÍA

- Para encender el aire acondicionado, oprima el botón. Para apagar el aire acondicionado, vuelva a oprimir el botón.
- Este botón tiene la prioridad sobre cualesquiera otros botones.
- Cuando lo enciende por primera vez, el aire acondicionado está en el modo de enfriamiento más alto y la temperatura en 72°F

2 AJUSTE DE TEMPERATURA

- Use este botón para controlar automáticamente la temperatura. La temperatura puede ajustarse dentro de un rango de 60°F a 86°F de 1°F.

3 MODO

- Cada vez que oprime este botón, cambiará entre COOL, ENERGY SAVER y FAN (ENFRIAMIENTO, AHORRO DE ENERGÍA Y VENTILADOR).
- AHORRO DE ENERGÍA

El modo de secado se utiliza para eliminar la humedad de la sala sin añadir refrigeración adicional.

Una vez se alcanza la temperatura, el compresor y el ventilador de circulación se apagan.

La velocidad del ventilador está predefinida y no puede ajustarse.

- El ventilador se detiene cuando el compresor deja de enfriar. Aproximadamente cada 3 minutos el ventilador se

encenderá y se verificará la temperatura de la habitación para ver si es necesario enfriar.

4 VELOCIDAD DEL VENTILADOR

Cada vez que oprima este botón, se avanza en el ajuste como sigue:

{High(F3) → Low (F1) → Med (F2) → High(F3)}

5 TEMPORIZADOR

-TIEMPO DE APAGADO

- Normalmente utilizará el temporizador de apagado mientras duerme.
- Si su unidad está funcionando, el temporizador fija el número de horas antes de apagarse.
- Para su comodidad mientras duerme, una vez que se fija el temporizador, el ajuste de temperatura se elevará 2°F después de 30 minutos y una vez más después de otros 30 minutos.

Cada vez que oprima el botón del temporizador, hará que avance el ajuste del temporizador como sigue:

1 Hora → 2 Horas →etc.→12 Horas máximo.

- TIEMPO DE INICIO DE FUNCIONAMIENTO

- Si su unidad está apagada, el temporizador fija el número de horas antes de encenderse.

Cada vez que oprima el botón del temporizador, hará que avance el ajuste del temporizador como sigue:

1 Hora → 2 Horas →etc.→12 Horas máximo.

6 SENSOR DEL CONTROL REMOTO

AUTO-ARRANQUE

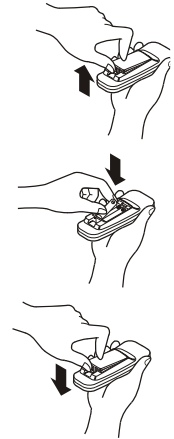
En caso de fallo de la corriente eléctrica, la unidad funcionará como antes cuando vuelve la corriente.

Insertar las baterías del control remoto

- 1 Empuje hacia afuera con su pulgar la cubierta en la parte posterior del control remoto.
- 2 Preste atención a la polaridad e inserte dos nuevas baterías AAA 1,5V .
- 3 Vuelva a colocar la cubierta

NOTA: No use baterías recargables. Asegúrese que ambas baterías sean nuevas.

- Para evitar que se descarguen, quite las baterías del control remoto si el acondicionador de aire no va a ser usado por un período largo de tiempo. Mantenga el control remoto lejos de los lugares húmedos o extremadamente calientes. Para mantener el funcionamiento óptimo del control remoto, el sensor remoto no debe exponerse a la luz solar directa.
- El soporte montable del control remoto puede ser montado sobre una pared.

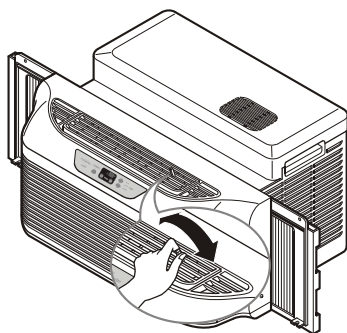


Ajustar la dirección del flujo de aire

El flujo de aire puede ser ajustado cambiando la dirección de las rejillas de ventilación del acondicionador de aire. Esto puede también incrementar la eficacia del acondicionador de aire.

- **Ajustar la dirección del flujo de aire horizontal.**

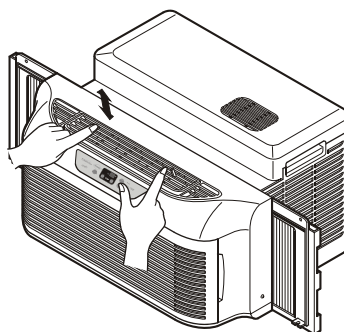
Ajustar las rejillas verticales hacia la izquierda y derecha cambiará el flujo horizontal.



Ajustar el flujo de aire horizontal

- **Ajustar la dirección del flujo de aire vertical**

Ajustar el álabe horizontal hacia arriba y abajo cambiará el flujo de aire vertical. El álabe puede ser ajustado moviendo la parte posterior del álabe hacia arriba o abajo.



Ajustar el flujo de aire vertical

- **Orientación recomendada de las rejillas**

Ajuste las rejillas hacia arriba para llevar al máximo la eficacia del fresco.

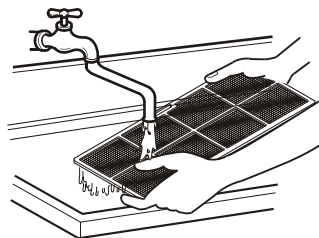
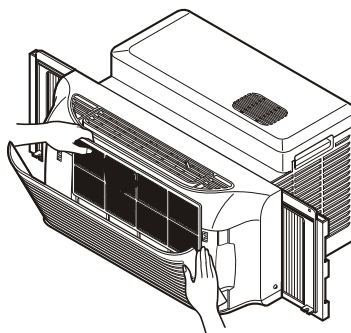
Desconecte la energía y desenchufe la unidad antes de limpiar el acondicionador de aire.

Filtro de Aire

El filtro de aire se ensucia ya que retira el polvo del aire interior. Debe lavarse al menos cada 2 semanas. Si el filtro de aire se queda lleno de polvo, el flujo de aire disminuye y la capacidad de enfriamiento se reduce, y puede dañarse la unidad.

Como quitar el filtro de aire

- 1 Jale la rejilla de entrada hacia adelante, sujetando por ambas pestañas y luego jale el filtro de aire para sacarlo.
- 2 Lave el filtro de aire directamente en el chorro de agua tibia. Asegúrese de sacudir toda el agua antes de volver a colocar el filtro.



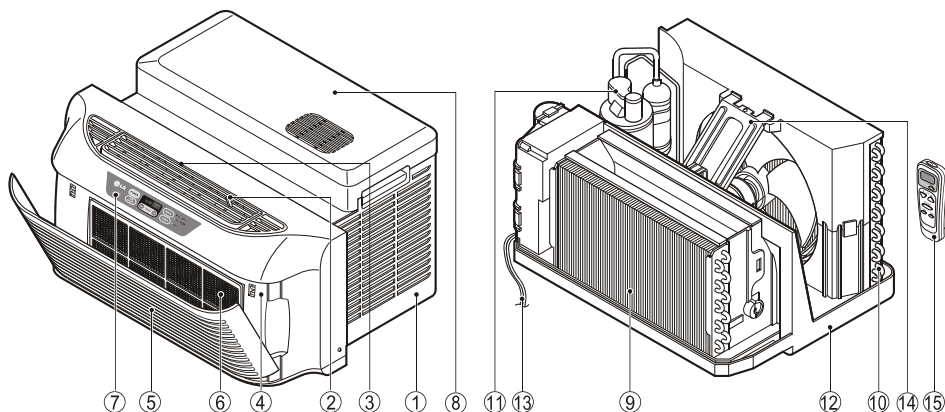
NOTA: En climas húmedos, es posible que la BANDEJA EVAPORADORA se llene de agua y salpiquese en PERSIANA LATERAL.

Funciones del producto



PRECAUCIÓN

Este dispositivo debe ser instalado de acuerdo con las normas nacionales de cableado. Esta guía actúa como ayuda para explicar las funciones del producto.

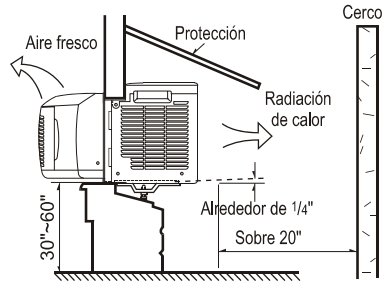


1. GABINETE
2. DEFLECTOR VERTICAL DE AIRE (ÁLABE HORIZONTAL)
3. DEFLECTOR HORIZONTAL DE AIRE (ALABE VERTICAL)
4. PARRILLA FRONTAL
5. TOMA DE AIRE (PARRILLA DE ENTRADA)
6. FILTRO DE AIRE
7. PANEL DE CONTROL

8. CUBIERTA SUPERIOR
9. EVAPORADOR
10. CONDENSADOR
11. COMPRESOR
12. BANDEJA DE BASE
13. CABLE ELÉCTRICA
14. ABRAZADERA
15. CONTROL REMOTO

Cómo instalar la unidad

- 1 Para prevenir la vibración y el ruido, asegúrese que la unidad esté instalada con seguridad y firmeza.
- 2 Instale la unidad donde la luz del sol no caiga directamente en la misma.
- 3 La parte exterior del gabinete debe extenderse hacia afuera, como por ejemplo un cerco o una pared, dentro de los 20" desde la parte posterior del gabinete porque evitará la radiación de calor del condensador.
La restricción del aire exterior reduce en gran parte la eficiencia de enfriar del acondicionador de aire.



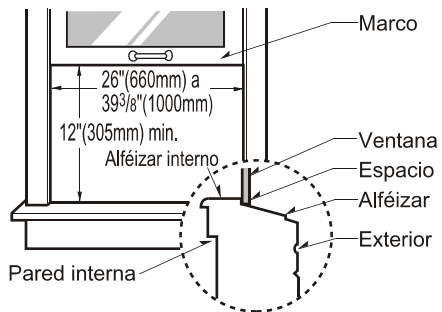
PRECAUCIÓN: Todas las álabes laterales del gabinete deben permanecer expuestos a la parte exterior de la estructura.

- 4 Instale la unidad un poco inclinada para que la parte posterior quede ligeramente más baja que el frente (alrededor de 1/4"). Esto forzará al agua condensada a fluir hacia el exterior.
- 5 Instale la unidad con el fondo aproximadamente 30"-60" por encima del nivel del piso.

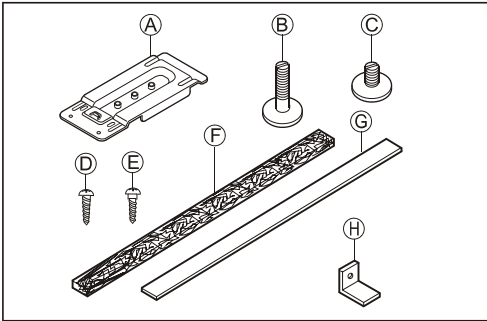
Requisitos de la ventana

NOTA: Todas las piezas de soporte deben estar aseguradas con madera fuerte, mampostería, o metal.

- Esta unidad está diseñada para ser instalada en ventanas dobles basculantes estándar con amplitud de apertura real desde 26" a 39-3/8".
- Las hojas inferiores y superiores de la ventana deben abrirse lo suficiente para permitir una luz vertical de 12" desde la parte inferior de la hoja superior hasta el asiento de la ventana.



Contenidos de los conjuntos de instalación



ARTÍCULO	NOMBRE DE LA PARTE	CANT
A	SOPORTE, MENSULA	1
B	PERNO NIVELADOR	1
C	PERNO NIVELADOR	1
D	TORNILLO: 5/8"	2
E	TORNILLO: 5/8"	5
F	SELLO DE ESPUMA	1
G	CINTA DE ESPUMA	1
H	MENSULA L	1

Requisitos sugeridos de las ventanas

DESTORNILLADOR(+, -), REGLA, CUCHILLO, MARTILLO, LÁPIZ, NIVEL

Instalación

⚠ PRECAUCIÓN

Para evitar una posible lesión personal, desconecte la unidad de la corriente antes de instalarla o darle mantenimiento.

Saque con cuidado el aire acondicionado de su caja, revise que no tenga daños por el embarque. Seleccione la ubicación que le permitirá soplar el aire frío al interior del área que desea. Las ventanas que se utilicen para instalación deben ser lo suficientemente fuertes para soportar el peso del aire acondicionado. Una buena instalación con especial atención al posicionamiento apropiado de la unidad reducirá los servicios necesarios.

Al enfriar más de una habitación, la ubicación de la instalación es muy importante. Para enfriar sus habitaciones, el aire frío debe ser soplado desde el aire acondicionado en un patente directo.

Si el aire acondicionado se bloquea por un marco de ventana para tormentas, consulte el Paso 7, 8 en la página 14 antes de comenzar la instalación.

Cómo instalarlo

1 Corte la TIRA DE ESPUMA (ARTÍCULO G) para ajustarse a la parte inferior del marco de la ventana. Abra la vventana, quite la protección posterior de la tira y una la TIRA DE ESPUMA como se muestra en la FIG. 1.

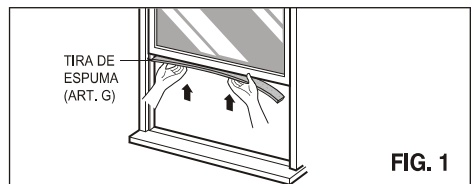


FIG. 1

2 Marque la línea del centro con un lápiz en el interior del alféizar, como se muestra en la FIG. 2.

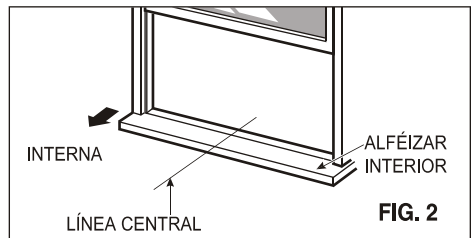
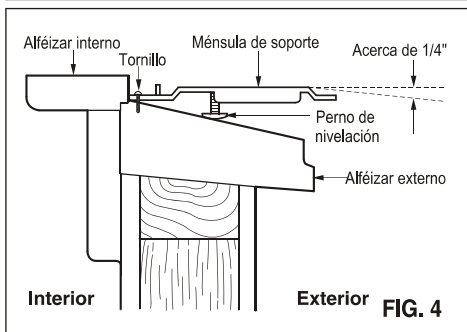
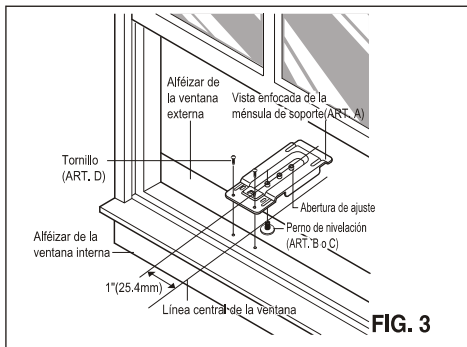


FIG. 2

3 Instale la ménsula de soporte sobre la ventana. Ver FIG. 4. Instale el perno de nivelación en la parte superior a través de la parte inferior de la ménsula de soporte. Puede escoger un perno corto (ARTÍCULO C) o uno largo (ARTÍCULO B) de acuerdo al tipo de la ventana. También, puede seleccionar la posición del orificio en la ménsula.

Coloque la ménsula en el alféizar a 1 pulgada (25.4 mm) a la izquierda de la línea del centro de la ventana (Vea FIG. 4). Sujete la ménsula al alféizar con los tornillos proporcionados (ARTÍCULO D). Ajuste el tornillo nivelador de modo que el aire acondicionado que se instalará quede con una pequeña inclinación (Acerca de 1/4") hacia abajo hacia el exterior, para un drenado apropiado. Apriete los tornillos de la ménsula.



PRECAUCIÓN

La falla en la instalación segura de la ménsula de soporte puede resultar en la caída de la unidad desde la ventana si el marco de la ventana es levantado después de que la unidad es instalada. Esto puede resultar en lesiones personales.

4 INSTALE EL AIRE ACONDICIONADO EN LA VENTANA

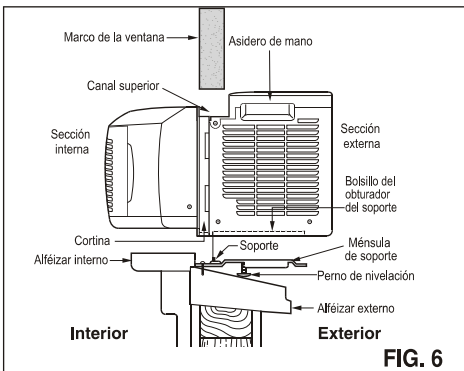
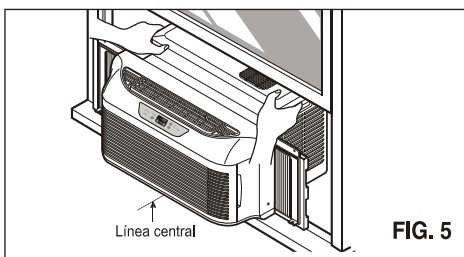
- Levante con cuidado la unidad de aire acondicionado y deslícela en la ventana abierta. Tenga cuidado de no lesionar la cintura en esta operación.
- Use ganchos de dos manos sobre la parte superior de la unidad para levantarla.
- Asegúrese de que la ménsula de soporte sea insertada en el bolsillo debajo del ventilador base, y que la guía del bastidor de la cortina esté parada por el obturador en la ménsula de soporte como lo muestra en la FIG.6.

NOTA: Cuando la unidad se centra apropiadamente y se empuja hacia afuera a la ubicación correcta en la ménsula, sentirá que se traba con seguridad en su lugar en la ménsula del alféizar. Sostengala firmemente durante este procedimiento.

- Baje el marco de la ventana superior todo lo posible de forma que el marco se sienta firmemente en el canal superior de la unidad y los bastidores expandibles de la cortina.

PRECAUCIÓN

Durante el siguiente paso sostenga la unidad firmemente hasta que el marco de la ventana descienda sobre el canal superior por detrás de los marcos de cortina. Puede provocar lesiones personales o daño a la propiedad si la unidad se cae de la ventana.



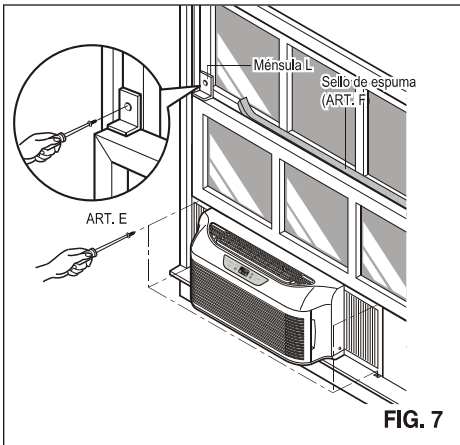
5 ASEGURE LOS BASTIDORES DE LA CORTINA

Expanda los bastidores de la cortina y asegúrelos usando 4 tornillos (ARTÍCULO E) como lo muestra en la FIG. 7.

Cuando el bastidor de la cortina se abre o se cierra, puede sentir un ligera resistencia. Esto es normal.

6 SELLO DE ESPUMA Y BLOQUE DE LA VENTANA

- Corte el sello de espuma (ARTÍCULO F) al ancho de la ventana. Rellene el espacio entre el vidrio y la ventana con la espuma selladora para prevenir que los insectos y el aire penetren en la habitación, como se muestra en la FIG. 7.
- Instale la ménsula L para prevenir que la ventana sea levantada lo cual puede resultar en la caída de la unidad.



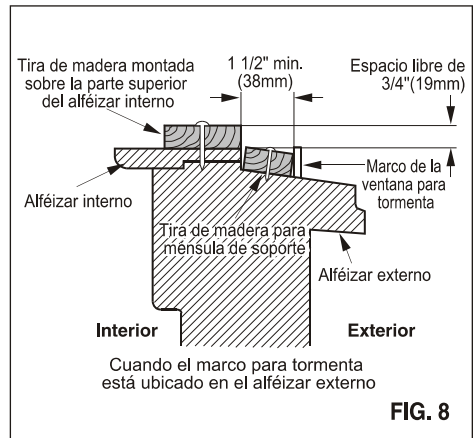
PRECAUCIÓN

La ménsula y los tornillos del marco de cortina deben instalarse como se indica en las instrucciones para evitar que la unidad caiga desde la ventana y cause lesiones personales o daño a la propiedad.

NOTA: Si el marco de la ventana tiene una superficie metálica, use los tornillos para lámina en vez de las pijas para madera. Puede conseguir los tornillos para lámina en su ferretería.

7 SI EL AIRE ACONDICIONADO ESTÁ OBSTRUIDO POR UN MARCO DE VENTANA PARA TORMENTA

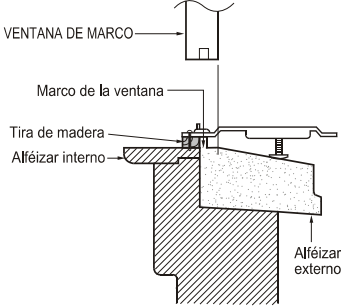
- Si hay un marco para tormenta que obstaculice, una tira de madera de 2" (51mm) de espesor al alféizar interior de la ventana a todo lo ancho del alféizar. La tira de madera debe ser lo suficientemente gruesa para elevar la altura del alféizar de la ventana para que la unidad se instale sin que el marco para tormenta lo obstaculice. Vea la FIG. 8 La parte superior de la tira de madera debe ser aproximadamente 3/4" (19mm) más alta que el marco para tormenta para ayudar a drenar la condensación hacia el exterior.
- Instale una segunda tira de madera (aproximadamente de 6" (152mm) de largo por 1 1/2" (38mm) de ancho y del mismo grosor que la primera tira) en el centro del reborde del alféizar contra la parte posterior del alféizar interior. (FIG. 8)



8 INSTALACIÓN PARA VENTANAS DE OTROS TIPOS

- Dimensiones y la geometría de la ventana son diferentes de acuerdo a los fabricantes. Revise su ventana y refiérase a la FIG. 9 para instalar firmemente la ménsula del soporte.

- (a) Cuando el marco de la ventana está ubicado en el alféizar interno
- Instale una tira de madera (ancho y largo de la ventana y el alto de la altura del marco de la ventana) sobre el alféizar interno.



- (b) Cuando el bastidor de la ventana es más alto que 19/32" (15mm)
- Instale una tira de Madera (acerca de 4" (102mm) de largo) sobre el alféizar externo para aumentar la ménsula del soporte

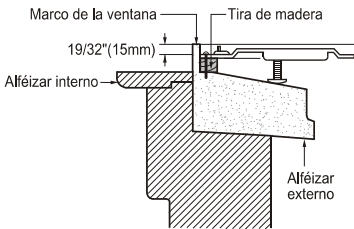


FIG. 9

Retiro de la ventana

- Apague y desconecte el aire acondicionado.
- Desatornille los tornillos laterales que instaló en el Paso 5.6.
- Cierre la cortina y retire el sello del marco y la ménsula L de las ventanas.
- Mantenga bien sujeto la unidad de el aire acondicionado y levante el marco e incline con cuidado el aire acondicionado hacia atrás, drenando el agua condensada.
- Levante el aire acondicionado de la ventana y saque la tira de espuma de entre las ventanas.
- Retire la ménsula de soporte del marco de la ventana.

NOTA: Cuando se termina la temporada de uso del enfriador, la unidad debe quitarse de la ventana para su limpieza y almacenamiento. Puede haber condensación de agua en la base. Retire la unidad con cuidado para evitar salpicaduras en su piso, siempre guarde la unidad bien asentada en su base. No la recargue en los costados. Asegúrese de retirar la ménsula de soporte, la ménsula L y el sello de espuma de la ventana y guárdelos. La ventana no cerrará mientras la ménsula de soporte continúe instalada.



PRECAUCIÓN

- Los aires acondicionados que se cubren en este manual representan un riesgo por su peso excesivo. Se requiere de dos o más personas para mover e instalar la unidad. Para prevenir las lesiones, use técnicas y aparatos apropiados para levantar peso cuando mueva la unidad.
- Cuando manipule el aire acondicionado, tenga cuidado para evitar cortarse con láminas metálicas o con los serpentines delantero o trasero.
- Asegúrese que el aire acondicionado no caiga durante la instalación.

Seguridad eléctrica

OBSERVE ALL LOCAL CODES AND ORDINANCES.

BAJO NINGUNA CIRCUNSTANCIA quite la conexión de tierra de la clavija. SE REQUIERE UNA TIERRA FÍSICA PARA EL FUNCIONAMIENTO DE ESTE APARATO.

Se requiere un suministro eléctrico de 115 voltios a 60 Hz, solo CA, con fusible de 15A y tierra física. Se recomienda el uso de un fusible de paso o un disyuntor. Use un circuito dedicado que de servicio solamente a este aparato.

NO UTILICE UN CABLE DE EXTENSIÓN.

METODO PARA CONEXIÓN A TIERRA RECOMENDADO

Para su seguridad personal, este aparato debe contar con una conexión a tierra. Este aparato tiene un cable de corriente con una clavija de tres patas (para conexión a tierra). Para reducir el riesgo de choque eléctrico, el cable debe conectarse a una conexión de pared de tipo trifásico y contar con una tierra física de acuerdo con el Código Eléctrico Nacional (NEC ANSI/NFPA 70) última edición y con todas las normas y códigos locales. Si no tiene una conexión trifásica es su responsabilidad personal y su obligación hacer que un electricista instale una toma de corriente de tres puntos con tierra física.

115V~		230V~		El cable de alimentación puede incluir un dispositivo interruptor de corriente. La carcasa del enchufe cuenta con un botón de prueba y otro de reinicio. El dispositivo debe comprobarse periódicamente presionando primero el botón TEST y después RESET. Si el botón TEST no se desconecta o si el botón RESET no permanece activo, suspenda el uso del aire acondicionado y póngase en contacto con un técnico de servicio cualificado.

NOTA: La forma puede ser diferente según su modelo.

Utilice el enchufe de la pared	Consumo de Energía
Standard 125V, enchufe de 3 Líneas de 15A, 125V AC	Utilice un fusible de 15AMP. o un Interruptor de 15AMP.
Standard 250V, enchufe de 3 Líneas de 15A, 250V AC	
Standard 250V, enchufe de 3 Líneas de 20A, 250V AC	Utilice un fusible de 20AMP. o un Interruptor de 20AMP.

⚠ ADVERTENCIA

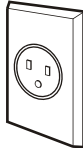
Riesgo de choque eléctrico.
 Enchufe en una toma de corriente de tres orificios.
 No retire la pata de tierra.
 No utilice un adaptador.
 No utilice un cable de extensión.
 En caso de no seguir estas instrucciones puede provocar la muerte, incendios o descargas eléctricas.

ESPAÑOL

**IMPORTANTE
(POR FAVOR LEA CUIDADOSAMENTE)
PARA LA SEGURIDAD PERSONAL DEL USUARIO,
ESTA UNIDAD DEBE SER CORRECTAMENTE
CONECTADA A MASA**

El cable de alimentación de este artefacto está equipado con un enchufe de tres clavijas (con conexión a masa). Use éste con una salida en un tomacorriente estándar de pared con tres ranuras (a masa) (FIG. 10) para minimizar el peligro de descarga eléctrica. El usuario debe tener un tomacorriente de pared y un circuito controlado por un electricista calificado para asegurarse de que el tomacorriente se halla debidamente descargado a masa.

MÉTODO PREFERIDO



Asegúrese de que existe la descarga correcta a masa antes de usar

FIG. 10

NO CORTE O quite LA TERCERA CLAVIJA (MASA) DEL ENCHUFE DE ALIMENTACIÓN DE ENERGÍA.

A. CIRCUNSTANCIAS EN LAS QUE EL ARTEFACTO DEBE SER DESCONECTADO OCASIONALMENTE:

MÉTODO TEMPORARIO

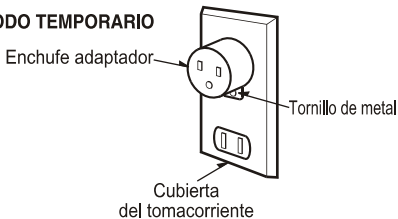


FIG. 11

A causa de riesgos potenciales de seguridad, advertimos seriamente que se debe usar un adaptador de enchufe. Sin embargo, si desea usar un adaptador, se puede hacer una CONEXIÓN TEMPORARIA. Use un adaptador enumerado en UL, la ranura grande en el tomacorriente para asegurar una conexión de polaridad correcta.

PRECAUCIÓN: *Agregar el adaptador con terminal a masa al tornillo de la cubierta del tomacorriente no descarga el artefacto a masa a menos que el tornillo de la cubierta sea de metal y no se encuentre aislado, y el tomacorriente se halle conectado a masa a través del cableado de la casa. El usuario debe hacer controlar el circuito por un electricista calificado para asegurarse que el tomacorriente se halla debidamente conectado a masa.*

Desconecte el cable de alimentación del adaptador, usando una mano en cada uno. De otro modo, la terminal a masa del adaptador puede romperse. NO USE el artefacto con un adaptador al enchufe roto.

B. CIRCUNSTANCIAS EN LAS QUE EL ARTEFACTO DEBE SER DESCONECTADO A MENUDO.

No use un adaptador al enchufe en estas circunstancias. Desenchar el cable de alimentación frecuentemente puede llevar a una rotura eventual del polo a masa. El tomacorriente de pared debe ser reemplazado por otro de tres ranuras.

USE DE CABLES DE EXTENSIÓN

A causa de riesgos de seguridad potenciales, desaconsejamos seriamente el uso de cables de extensión. No obstante si desea utilizar un cable de extensión, use un cable de extensión CSA certificado /listado en UL de 3 polos (a masa), con un rango de 15A, 125V.

Antes de llamar al servicio, tenga a bien revisar la siguiente lista de problemas y sus soluciones.

El acondicionador de aire está funcionando normalmente cuando:

- Escucha un sonido metálico. Lo causa el agua que recoge el condensador en días lluviosos o en condiciones de mucha humedad. Esta característica está diseñada para ayudar a quitar la humedad en el aire y mejorar la capacidad de enfriamiento.
- Oye un clic en el termostato. Lo causa el ciclo del compresor que comienza y se detiene.
- Ve gotear agua de la parte posterior de la unidad. El agua puede ser recogida en la bandeja de base en condiciones de mucha humedad o días de lluvia. Esta agua desborda y gotea desde la parte posterior de la unidad.
- Oye funcionar el ventilador mientras el compresor está silencioso. Esto es una característica operativa normal.

El acondicionador de aire puede estar funcionando anormalmente cuando:

Problema	Causas posibles	Qué hacer
El aire acondicionado no enciende	■ El aire acondicionado está desconectado.	• Asegúrese que el aire acondicionado está conectado completamente a la fuente de energía.
	■ El fusible está quemado/el interruptor de energía se ha bloqueado.	• Cheque los fusibles/interruptor de la casa y reemplace los fusibles o reestablezca el interruptor de energía.
	■ Falta de energía.	• Si ocurre el apagón, dé vuelta al control del modo a apagado (Tipo Mecánico). Cuando es la energía se restaura, espera 3 minutos para recomenzar el acondicionador de aire para prevenir disparar del overlord del compresor.
	■ El dispositivo interruptor de corriente está desconectado.	• presion el botón <i>RESET</i> situado en el enchufe del cable de alimentación. Si el botón <i>RESET</i> no permanece activo, suspenda el uso del aire acondicionado y póngase en contacto con un técnico de servicio cualificado.
El aire acondicionado no enfría como debiera	■ El flujo de aire esta restringido.	• Asegúrese que no haya cortinas, persianas o muebles bloqueando el frente del aire acondicionado.
	■ Coloque el control de TEMPERATURA en un número más alto.	• Ajustar el control de temperatura a un número más bajo.
	■ El filtro de aire está sucio.	• Limpie el filtro por lo menos cada dos semanas. Vea la sección de instrucciones de operación.
	■ El cuarto aún está caliente.	• Cuando usted enciende el aire acondicionado debe esperar un momento para que la habitación se enfríe.
	■ El aire frío se está escapando.	• Asegúrese que todas las salidas de aire estén cerradas para que el aire regrese.
	■ El serpentín de refrigeración se ha congelado.	• Establezca una temperatura más alta.
El aire acondicionado enfría demasiado	■ El hielo bloquea el flujo de aire y detiene el enfriamiento del cuarto.	• Elija el modo alto del ventilador High Fan o enfriado alto High Cool con el termostato en el número 1 o 2.

* Usted puede referirse al Energy Star programa con todo detalle en www.energystar.gov.

GARANTÍA LIMITADA DEL AIRE ACONDICIONADOR LG - EE.UU.

LG Electronics Inc. reparará o sustituirá, gratuitamente, su producto si resulta defectuoso en materiales o mano de obra bajo condiciones normales de uso durante el período de garantía mencionado más abajo, efectivo a partir de la fecha de compra del producto original por parte del consumidor. Esta garantía limitada sólo es válida para el comprador original del producto, y efectiva sólo cuando este se utilice dentro de los Estados Unidos, incluyendo Alaska, Hawai, y los territorios estadounidenses.

PERÍODO DE GARANTÍA: Mano de obra: 5 años desde la fecha de compra. Piezas: 5 años desde la fecha de compra. Compresor: 5 años desde la fecha de compra.	PROCESO DE SERVICIO: Llame al teléfono 1-800-243-0000 y seleccione la opción adecuada. Por favor, tenga disponible el tipo de producto (Aire acondicionado), número de modelo, número de serie, y código postal. La mano de obra bajo garantía cubre el coste de la Asistencia en domicilio de todas las piezas, incluyendo el compresor.
---	--

ESTA GARANTÍA SE OTORGA EN SUSTITUCIÓN O EXCLUSIÓN DE TODA OTRA GARANTÍA, EXPRESA O IMPLÍCITA, INCLUYENDO SIN LIMITAR CUALQUIER GARANTÍA DE CALIDAD O IDONEIDAD CON UN PROPÓSITO CONCRETO. EN LA MEDIDA EN QUE CUALQUIER GARANTÍA IMPLÍCITA ES OBLIGADA POR LA LEY, ESTÁ LIMITADA EN DURACIÓN AL PERÍODO DE GARANTÍA YA MENCIONADO. LG NO SERÁ RESPONSABLE DE NINGÚN DAÑO RESULTANTE, INDIRECTO, O ACCIDENTAL DE NINGÚN TIPO, INCLUYENDO INGRESOS O GANANCIAS PERDIDAS, EN CONEXIÓN CON EL PRODUCTO. CIERTOS ESTADOS NO ACEPTAN LA LIMITACIÓN DE DURACIÓN DE UNA GARANTÍA IMPLÍCITA O LA EXCLUSIÓN DE DAÑOS RESULTANTES O ACCIDENTALES, POR LO QUE LAS LIMITACIONES O EXCLUSIONES MENCIONADAS PUEDEN NO SER APLICABLES EN SU CASO.

ESTA GARANTÍA LIMITADA NO SE APLICA A:

1. Las visitas de Asistencia a domicilio para entregar, recoger y/o instalar el producto, instruir o sustituir fusibles en su casa o corregir el cableado, o la corrección de reparaciones no autorizadas; y
2. Daños o problemas de funcionamiento provocados por un uso inadecuado, abuso, funcionamiento fuera de especificaciones ambientales o contrario a requisitos o precauciones en la Guía de funcionamiento, accidente, fuego, inundaciones, instalación inadecuada, fuerza mayor, modificaciones o alteraciones no autorizadas, corriente eléctrica o tensión incorrecta, o uso comercial, o usos distintos a aquellos para los que fue diseñado.
3. **Por lo tanto, los costes de reparación o sustitución de un producto defectuoso deberá correr por cuenta del consumidor.**

NÚMEROS DEL CENTRO INTERACTIVOS PARA CLIENTES:

Probar su cobertura por garantía	Conserve su ticket y recibo de compra para probar la fecha de adquisición del producto. Deberá entregar una copia de su recibo de compra en el momento en que reciba servicio bajo garantía.
Obtener asistencia del centro de asistencia autorizado más cercano, obtener asistencia de producto, cliente, o servicio	Llame al 1-800-243-0000, 24 horas al día, 7 días a la semana. Seleccione la opción adecuada del menú, y tenga disponible su tipo de producto (aire acondicionado), número de modelo, número de serie, y código postal; o visite nuestro sitio Web en http://www.lgappliances.com

LG ROOM AIR CONDITIONER LIMITED WARRANTY – USA

LG Electronics Inc. will repair or at its option replace, without charge, your product if it proves to be defective in material or workmanship under normal use during the warranty period set forth below, effective from the date of original consumer purchase of the product. This limited warranty is good only to the original purchaser of the product and effective only when used in the United States including Alaska, Hawaii, and U.S. Territories.

<p><u>WARRANTY PERIOD:</u></p> <p>Labor: 5 Years from the Date of Purchase.</p> <p>Parts: 5 Years from the Date of Purchase.</p> <p>Compressor: 5 Years from the Date of Purchase.</p>	<p><u>HOW SERVICE IS HANDLED:</u></p> <p>Call 1-800-243-0000 and choose the appropriate prompt. Please have product type (Room Air Conditioner), model number, serial number, and ZIP code ready.</p> <p>The warranted labor covers the cost of In-Home Service on all parts including the compressor.</p>
--	---

THIS WARRANTY IS IN LIEU OF ANY OTHER WARRANTIES, EXPRESS OR IMPLIED, INCLUDING WITHOUT LIMITATION, ANY WARRANTY OF MERCHANTABILITY OR FITNESS FOR A PARTICULAR PURPOSE. TO THE EXTENT ANY IMPLIED WARRANTY IS REQUIRED BY LAW, IT IS LIMITED IN DURATION TO THE EXPRESS WARRANTY PERIOD ABOVE. LG WILL NOT BE LIABLE FOR ANY CONSEQUENTIAL, INDIRECT, OR INCIDENTAL DAMAGES OF ANY KIND, INCLUDING LOST REVENUES OR PROFITS, IN CONNECTION WITH THE PRODUCT. SOME STATES DO NOT ALLOW LIMITATION ON HOW LONG AN IMPLIED WARRANTY LASTS OR THE EXCLUSION OF INCIDENTAL OR CONSEQUENTIAL DAMAGES, SO THE ABOVE LIMITATIONS OR EXCLUSIONS MAY NOT APPLY TO YOU.

THIS LIMITED WARRANTY DOES NOT APPLY TO:

1. Service trips to your home to deliver, pick up, and/or install the product, instruct, or replace house fuses or correct wiring, or correction of unauthorized repairs; and
2. Damages or operating problems that result from misuse, abuse, operation outside environmental specifications or contrary to the requirements or precautions in the Operating Guide, accident, vermin, fire, flood, improper installation, acts of God, unauthorized modification or alteration, incorrect electrical current or voltage, or commercial use, or use for other than intended purpose.
3. **Therefore, the cost of repair or replacement of such a defective product shall be borne by the consumer.**

CUSTOMER INTER-ACTIVE CENTER NUMBERS:

<p>To Prove Warranty Coverage</p>	<p>Retain your Sales Receipt to prove date of purchase. A copy of your Sales Receipt must be submitted at the time warranty service is provided.</p>
<p>To Obtain Nearest Authorized Service Center or Sales Dealer, or to Obtain Product, Customer, or Service Assistance</p>	<p>Call 1-800-243-0000, 24 hrs a day, 7 days per week. Choose the appropriate prompt from the menu, and have your product type (Room Air Conditioner), model number, serial number, and ZIP Code; or visit our website at http://www.lgappliances.com</p>