



OWNER'S MANUAL WASHING MACHINE

Please read this manual carefully before operating your set and retain it for future reference.

WDD16515BD



Product Feature



■ Ultra Capacity

The Larger drum enables not just higher head drop and stronger centrifugal force, but also less tangling and wrinkling of the laundry. Heavier loads, such as king size comforters, blankets, and curtains, can be washed.



■ Direct Drive System

The advanced Brushless DC motor directly drives the drum without belt and pulley.



■ Tilted Drum and Extra Large Door Opening

Tilted drum and extra large opening make it possible to load and unload clothing more easily.



■ RollerJets

Washing ball enhances the wash performance and reduces damage to the clothing. The jets spray and help tumble clothes to enhance washing performance while maintaining fabric care.



■ Automatic Wash Load Detection

Automatically detects the load and optimizes the washing time.



■ Child Lock

The Child lock prevents children from pressing any button to change the settings during operation.

Contents

Warnings	3
Specification	4
Installation	5
Care before washing	10
Using the dispenser	11
Function	13
How to use washer	14
Maintenance	22
Troubleshooting guide	25


Warnings

READ ALL INSTRUCTIONS BEFORE USE

WARNING!

For your safety, the information in this manual must be followed to minimize the risk of fire or explosion, electric shock, or to prevent property damage, personal injury, or loss of life.

IMPORTANT SAFETY INSTRUCTIONS

 **WARNING** : To reduce the risk of fire, electric shock, or injury to persons when using the washer, follow basic precautions, including the following:


- Read all instructions before using the washer.
- Do not wash articles that have been previously cleaned in, washed in, soaked in, or spotted with gasoline, dry cleaning solvents, or other flammable or explosive substances, as they give off vapors that could ignite or explode.
- Do not add gasoline, dry cleaning solvents, or other flammable or explosive substances to the wash water. These substances give off vapors that could ignite or explode.
- Under certain conditions, hydrogen gas may be produced in a hot water system that has not been used for 2 weeks or more. **HYDROGEN GAS IS EXPLOSIVE**. If the hot water system has not been used for such a period, before using the washing machine, turn on all hot water faucets and let the water flow from each for several minutes. This will release any accumulated hydrogen gas. As the gas is flammable, do not smoke or use an open flame during this time.
- Do not allow children to play on or in the washer. Close supervision of children is necessary when the washer is used near children.
- Before the washer is removed from service or discarded, remove the door to prevent children from hiding inside.
- Do not install or store the washer where it will be exposed to the weather.
- Do not tamper with controls.
- Do not repair or replace any part of the washer or attempt any servicing unless specifically recommended in the user-maintenance instructions or published user-repair instructions that you understand and have the skills to carry out.
- See Installation Instructions for grounding requirements.
- ALWAYS follow the fabric care instructions supplied by the garment manufacturer.
- Do not place items exposed to cooking oil in your washer. Items contaminated with cooking oils may contribute to a chemical reaction that could cause a load to catch fire.
- Do not use fabric softeners or products to eliminate static unless recommended by the manufacturer of the fabric softener or product.

SAVE THESE INSTRUCTIONS

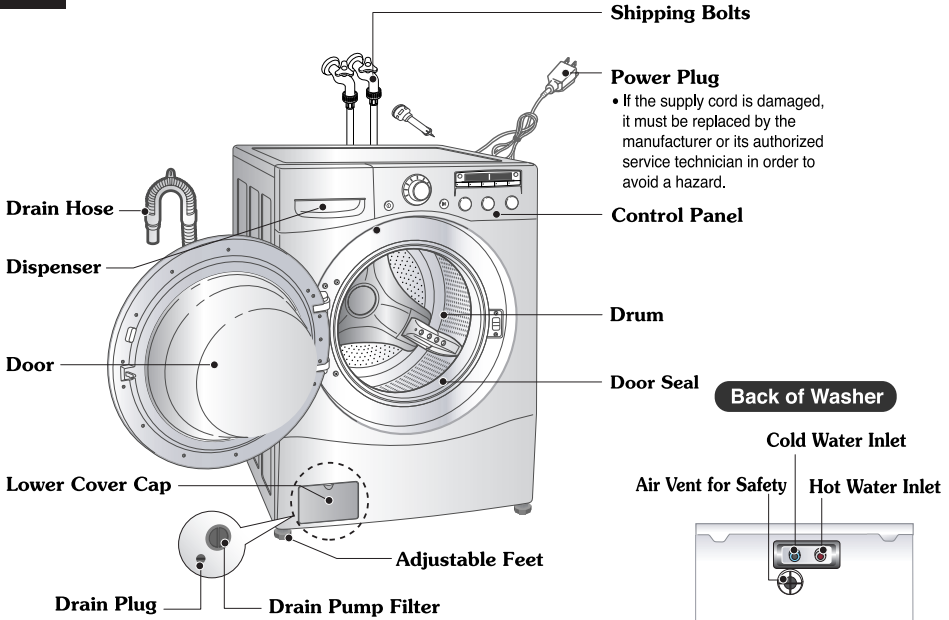
GROUNDING INSTRUCTIONS

This appliance must be grounded. In the event of malfunction or breakdown, grounding will reduce the risk of electric shock by providing a path of least resistance for electric current. This appliance is equipped with a cord having an equipment-grounding conductor and grounding plug. The plug must be plugged into an appropriate outlet that is properly installed and grounded in accordance with all local codes and ordinance.

- Do not use an adapter or extension cord.
- Do not remove ground prong.
- If you don't have the proper outlet, consult an electrician.

 **WARNING** : Improper connection of the equipment-grounding conductor can result in risk of electric shock. Check with a qualified electrician or serviceman if you are in doubt as to whether the appliance is properly grounded. Do not modify the plug provided with the appliance - if it does not fit the outlet, have a proper outlet installed by a qualified electrician.

S pecification



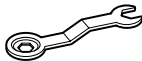
- Name : Front loading washing machine
- Power supply : 120 V~, 60 Hz
- Size : 686 mm(W) ×756 mm(D) ×983 mm(H) / 1295 mm (D, door open)
- Weigh : 86 kg (190 libras)
- Wash capacity : 16 kg (35 libras)
- Max. Watt : 600 W
- Spin speed : 1100 rpm max.
- Permissible water pressure : 0.3-10kgf/cm² (30-1000kPa)

* The appearance and specifications may be varied without notice to raise the units quality.

■ Accessories



Inlet hose 1EA
* Option Hot/Cold (2EA)



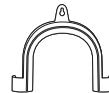
Spanner



Caps (4EA)



Tie Strap



Elbow Bracket



Non-skid pads

Installation

Install or store where it will not be exposed to temperatures below freezing or exposed to the weather. Properly ground washer to conform with all governing codes and ordinances.

To reduce the risk of electric shock, do not install the washer in humid spaces.

The base opening must not be obstructed by carpeting when the washing machine is installed on a carpeted floor.

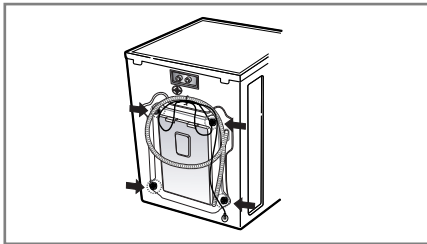
In countries where there are areas which may be subject to infestation by cockroaches or other vermin, pay particular attention to keeping the appliance and its surroundings in clean condition at all times.

Any damage which may be caused by cockroaches or other vermin will not be covered by the appliance guarantee.

■ Transit bolts

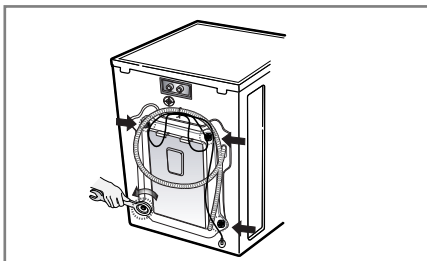
The appliance is fitted with transit bolts to prevent internal damage during transport.

■ Removing transit bolts

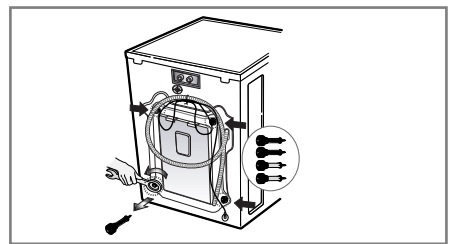


1. To prevent internal damage during transport, the special 4 bolts are locked. Before operating the washer, remove the bolts along with the rubber bungs.

• If they are not removed, it may cause severe vibration, noise and malfunction.

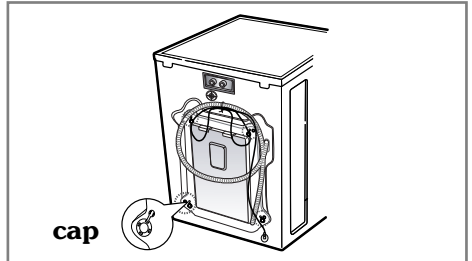


2. Unscrew the 4 bolts with the spanner supplied.



3. Take out the 4 bolts along with the rubber bungs by slightly twisting the bung. Keep the 4 bolts and the spanner for future use.

• Whenever the appliance is transported, the transit bolts must be refitted.



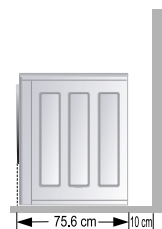
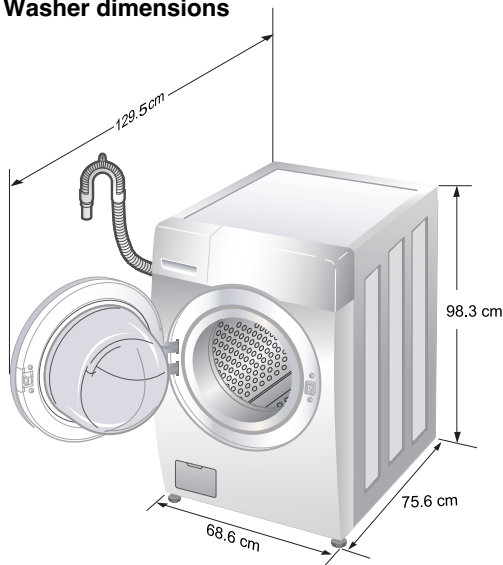
4. Close the holes with the caps supplied.

I nstallation

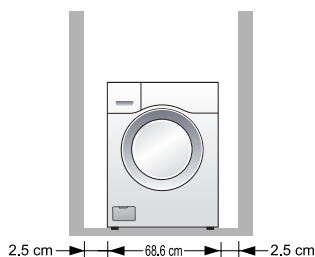
■ Installation clearances

The location must be large enough to fully open the washer door.

■ Washer dimensions



[Side view]



[Front view]

- Most installations require a minimum 10 cm clearance behind the washer.

■ Minimum installation spacing for recessed area installation.

The following dimensions shown are for the minimum spacing allowed.

Additional spacing should be considered for installation and servicing.

- Additional clearances might be required for wall, door and floor moldings.
- Additional spacing of 2.5 cm on all sides of the washer is recommended to reduce noise transfer.

Companion appliance spacing should also be considered.

■ Level floor

- Allowable slope under entire washer is 1°.
- **To minimize noise and vibration, the washer MUST be installed on a solidly constructed floor.**
- Carpeting and soft tile surfaces are not recommended.
- Never install the washer on a platform or weakly supported structure.

NOTE: A firm, solid floor is even more critical to a front-loading washer than to a top-loader.

If your floor is wood and/or frame construction, you may need to reinforce it. Front-loaders use substantially faster spin speeds than top-loaders, causing greater vibration. If the floor is not solid, your washer will vibrate. You will hear and feel the vibration throughout your house.

■ Power outlet

- Must be within 60 in. (1.5 m) of either side of the washer. Do not overload the outlet with more than one appliance.
- Time-delay fuse or circuit breaker is recommended.

NOTE: It is the personal responsibility and obligation of the customer to have a proper outlet installed by a qualified electrician.

Installation

■ Electrical connection

1. Do not use an extension cord or double adapter.
 2. If the supply cord is damaged, it must be replaced by the manufacturer or its service agents or similarly qualified person in order to avoid a hazard.
 3. Always unplug the machine and turn off the water supply after use.
 4. Connect the machine to an earthed socket in accordance with current wiring regulations.
 5. The appliance must be positioned so that the plug is easily accessible.
- Repairs to the washing machine must only be carried out qualified personnel. Repairs carried out by inexperienced persons may cause injury or serious malfunctioning. Contact your local service center
 - Do not install your washing machine in rooms where temperatures below freezing may occur. Frozen hoses may burst under pressure. The reliability of the electronic control unit may be impaired at temperatures below freezing point.
 - If the appliance is delivered in the winter months and temperatures are below freezing : Store the washing machine at room temperature for a few hours before putting it into operation.

CAUTION

CAUTION concerning the Power Cord

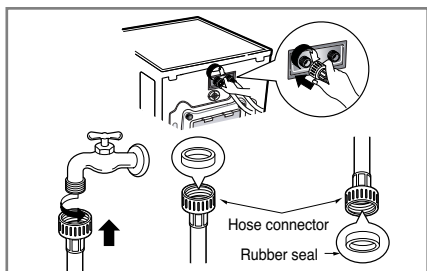
Most appliances recommend they be placed upon a dedicated circuit; that is, a single outlet circuit which powers only that appliance and has no additional outlets or branch circuits. Check the specification page of this owner's manual to be certain.

Do not overload wall outlets. Overloaded wall outlets, loose or damaged wall outlets, extension cords, frayed power cords, or damaged or cracked wire insulation are dangerous. Any of these conditions could result in electric shock or fire. Periodically examine the cord of your appliance, and if its appearance indicates damage or deterioration, unplug it, discontinue use of the appliance, and have the cord replaced with an exact replacement part by an authorized servicer.

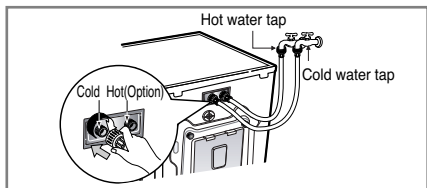
Protect the power cord from physical or mechanical abuse, such as being twisted, kinked, pinched, closed in a door, or walked upon. Pay particular attention to plugs, wall outlets, and the point where the cord exits the appliance.

■ Washing Machine is to be connected to the water mains using new hose-sets and that old hose-sets should not be used.

■ Connecting water supply hose



- ▶ Water supply pressure must be between 30kPa and 1000kPa (0.3~10kgf/cm²)
- ▶ Don't strip or crossthread when connecting Inlet hose to the valve.
- ▶ If the water supply pressure is more than 1000kPa, a decompression device should be installed.
- Two rubber seals are supplied with the water inlet hoses these are in order to prevent water leaks.
- Check water tightness of washing machine connections by turning the tap completely on.
- Periodically check the condition of the hose and replace the hose if necessary.
- Make sure that there is no kink on the hose and that it is not crushed.



- ▶ When your washer has two valves,
- The Inlet hose which has red connector is for the hot water tap.
- If the washer has two valves, the energy is saved by using hot valve.

Installation

This equipment is not designed for maritime use or for use mobile installations such as caravans, aircraft etc.

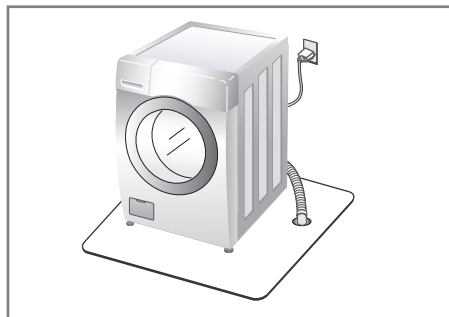
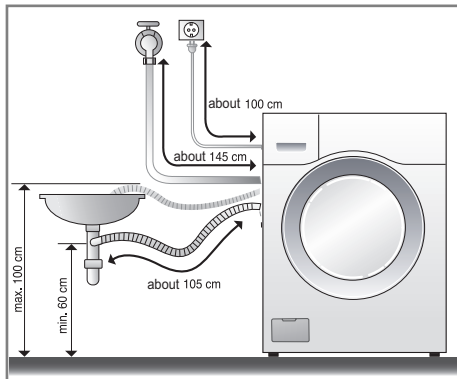
Turn off the stopcock if the machine is to be left for any length of time (e.g. holiday), especially if there is no floor drain(gully) in the immediate vicinity.

When disposing of the appliance, cut off the mains cable, and destroy the plug Disable the door lock to prevent young children being trapped inside.

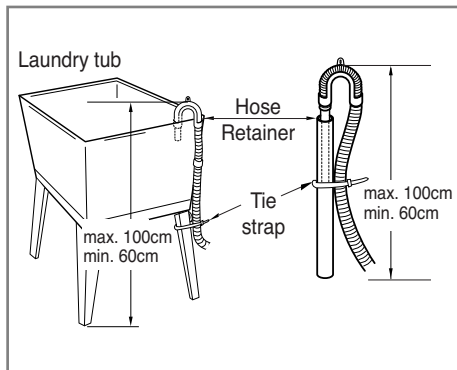
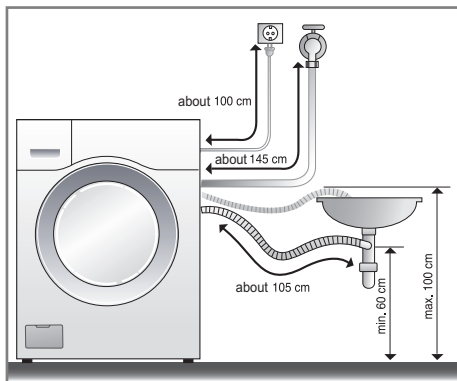
Packaging material (e.g. Films, Styrofoam) can be dangerous for children. There is a risk of suffocation !

Keep all packaging well away from children.

Installation of drain hose



- Place the end of the drain hose in the hole of the floor drain system.

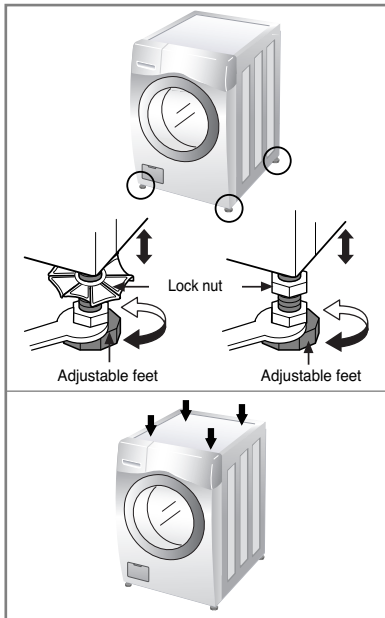


- The drain hose should not be placed higher than 100 cm above the floor.
- Proper securing of the drain hose will protect the floor from damage due to water leakage.
- When the drain hose is too long, do not force back into the washer. This will cause abnormal noise.

- When installing the drain hose sink, secure it tightly with a string.
- Proper securing of the drain hose will protect the floor from damage due to water leakage.

Installation

■ Level adjustment



1. Adjusting the washing machine level properly prevents excessive noise and vibration. Install the appliance on a solid and level floor surface, preferably in a corner of the room.

NOTE: Extend the feet no more than necessary to level the washer. The more the feet are extended, the more the washer will vibrate.

2. If the floor is uneven, adjust the adjustable feet as required. (Do not insert pieces of wood etc. under the feet) Make sure that all four feet are stable and resting on the floor and then check that the appliance is perfectly level. (Use a spirit level)

* After the washer is level, tighten the lock nuts up towards of the base of the washer. All lock nuts must be tightened.

NOTE: If there are vibration and noise during the spin cycle, re-check the leveling of the washer, adjust the feet as required, and tighten the lock nuts securely to prevent changes in adjustment.

Run the washer with a test load to make certain your washer is properly leveled. Put approximately 6 pounds of laundry in the machine. Then, press POWER, RINSE+SPIN, and START/PAUSE, in that order. When the machine spins at high speed, verify that it is stable. If not, adjust

* **Diagonal Check**

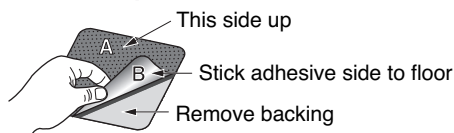
When pushing down the edges of the washing machine top plate diagonally, the machine should not move up and down at all. (Please, check both of two directions)

If machine rocks when pushing the machine top plate diagonally, adjust the feet again.

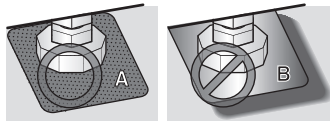
■ Installation of non-skid pads (optional)

Some floor surfaces are too slippery to prevent the washer from moving on the floor during heavily unbalanced loads. While it is normal for an occasional load to be out of balance, excess noise and vibration can result from the washer moving out of position. If these conditions are encountered, follow the instructions below for installation of the non-skid pads. These pads will help prevent the washer from moving during heavy out of balance conditions thereby reducing noise and vibration.

• Non-skid pads



* **Place the pads under both front feet.**



Care before washing



WARNING

To reduce the risk of fire, electric shock, or injury to persons, read the **IMPORTANT SAFETY INSTRUCTIONS** before operating this appliance.

1. Fabric Care Labels

Look for a care label on your clothes. This will tell you about the fabric content of your garment and how it should be washed.

2. Sorting

To get the best results, sort clothes into loads that can be washed with the same wash cycle.

Different fabrics need to be washed in different ways.

Always sort dark colors from pale colors and whites. Wash separately as dye and lint transfer can occur causing discoloration of white clothing. If possible, do not wash heavily soiled items with lightly soiled ones.

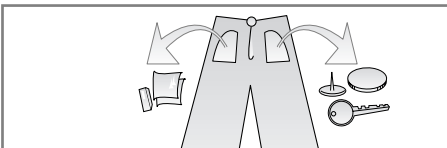
Soil (Heavy, Normal, Light)	Separate clothes according to amount of soil.
Color (White, Lights, Darks)	Separate white fabrics from colored fabrics.
Lint (Lint Producers, Collectors)	Wash lint producers and lint collectors separately.

3. Check before loading

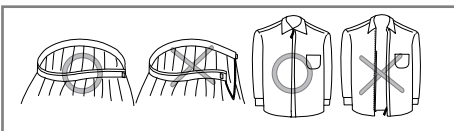
Combine large and small items in a load. Load large items first.

Large items should not be more than half the total wash load.

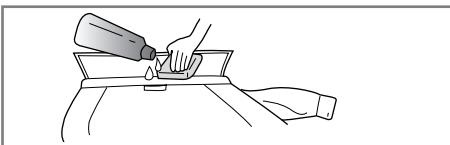
Do not wash single items. This may cause an out-of-balance load. Add one or two similar items.



- Check all the pockets to make sure that they are empty. Things such as clip, matches, pens, coins, and keys can damage both your washer and your clothes.



- Close zippers, hooks, and strings to make sure that these items do not snag on other clothes.



- Pretreat dirt and stains by brushing a little detergent dissolved in water onto stains like collars and cuffs to help lift dirt.

NOTE: Do not wash or spin water-proof clothes.

Using the dispenser

The automatic dispenser consists of four compartments which hold 1) liquid chlorine bleach, 2) liquid fabric softener, 3) liquid or powdered detergent for prewash and 4) liquid or powdered detergent and color safe bleach for main wash.

All laundry products can be added at once in their respective dispenser compartments. They will be dispensed at the appropriate time for most effective cleaning. After loading the laundry additives into the dispenser, close the dispenser drawer.

Add detergent, bleach and fabric softener to the automatic dispenser following these steps:

1. Open the dispenser drawer.
2. Load the laundry products into the appropriate compartments.
3. Close the dispenser drawer.

■ About detergent

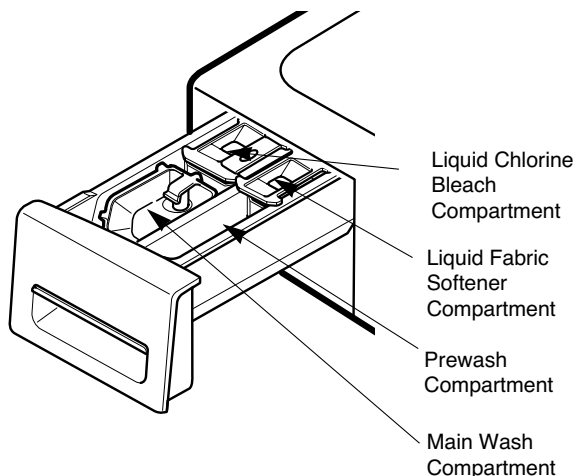
Low sudsing detergent is recommended for this washer. Use the manufacturer's recommended amount.

If low sudsing detergent is not available, a reduced amount of regular detergent may be used.

Because reducing the amount of detergent may reduce cleaning, it is important to pretreat stains, sort carefully by color and soil level, and avoid overloading.

Detergent usage may need to be adjusted for water temperature, water hardness, size and soil level of the load.

For best results, avoid using too much detergent.



1. Prewash Detergent Compartment

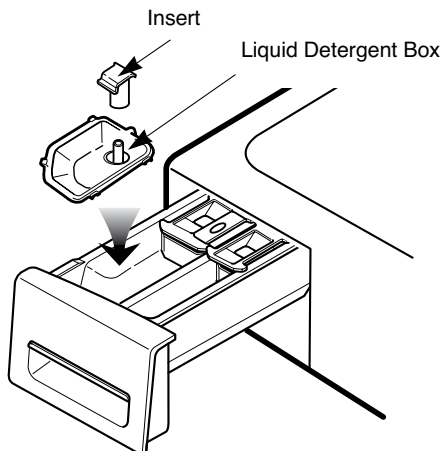
- Add detergent to this compartment when using the Prewash option. Liquid or powdered detergent may be used in this compartment. The detergent will automatically be dispensed during Prewash if the Prewash option is selected.
- Add 1/2 the recommended amount of detergent to the Prewash compartment and the recommended amount of detergent to the main wash compartment.

NOTE : Liquid detergent will drain into the washer drum as it is added.

Using the dispenser

2. Main Wash Detergent Compartment

- Add measured detergent to this compartment for Main wash. Detergent is flushed from the dispenser at the beginning of the cycle. Either powdered or liquid detergent can be used.
- Liquid or powdered color-safe bleach may be added to the main wash compartment along with the same type of liquid or powdered detergent.
- When using liquid detergent, make sure the liquid detergent box and insert are in place. Do not exceed the maximum fill line.
- For powdered detergent, remove both the liquid detergent box and insert.
- Powdered detergent will not dispense with the liquid detergent box and insert in place.



3. Liquid Bleach Compartment

- Add measured liquid chlorine bleach to this compartment. The bleach will be automatically dispensed at the proper time during the wash cycle.
- Do not exceed the maximum fill line. Overfilling can cause early dispensing of the bleach which could result in damaged clothes.
- Do not pour undiluted liquid chlorine bleach directly onto the load or into the drum. Fabric damage can occur.
- Do not use powdered bleach in this compartment.

4. Fabric Softener Compartment


- Add recommended amount of fabric softener to this compartment.
- Dilute concentrated softeners with warm water to the fill line.
- Do not exceed the maximum fill line. Overfilling can cause early dispensing of the fabric softener which could result in stained clothes.
- Do not pour fabric softener directly on the wash load.
- The fabric softener will be automatically dispensed during the last rinse cycle.

NOTE: Do not place, store, or spill laundry products (soap, detergent, bleach, softener, etc.) on the top of your washer or dryer. These products can damage the finish or controls if left there too long.

F unction

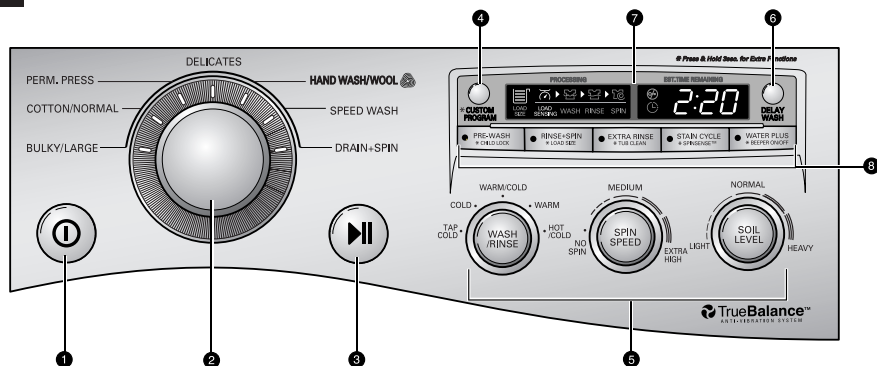
- Select cycles designed for different types of fabric and soil levels.

RECOMMENDED LOADS

Cycle	Fabric type	Wash/Rinse Temp.	Spin Speed	Soil Level	Pre-Wash	Rinse + Spin	Extra Rinse	Stain Cycle	Water plus	Maximum Load
BULKY/ LARGE	Large items such as blankets and comforters	Warm/Cold	Low (---)	Normal						Less than 8.0 kg
		Warm/Warm Hot/Cold	Medium (—)	Heavy Light	●	●	●	●	●	
		Tap Cold/Cold Cold/Cold	No spin (●)							
COTTON/ NORMAL	Cotton, linen, towels shirts, sheets, jeans mixed loads	Warm/Cold	High (==)	Normal						Less than 16.0 kg
		Warm/Warm Hot/Cold	Extra High (≡)	Heavy Light	●	●	●	●	●	
		Tap Cold/Cold Cold/Cold	Low (---) Medium (—)							
PERM. PRESS	Dress shirts/pants, wrinkle-free clothing, poly/cotton blend clothing, tablecloths	Warm/Cold	Medium (—)	Normal						Less than 8.0 kg
		Warm/Warm Hot/Cold	High (==)	Heavy Light	●	●	●	●	●	
		Tap Cold/Cold Cold/Cold	Low (---)							
DELICATES	Dress shirts/blouses nylons, sheer or lace garments	Cold/Cold	Medium (—)	Normal						Less than 4.0 kg
		Warm/Cold Warm/Warm	No spin (●) Low (---)	Heavy Light	●	●	●			
		Tap Cold/Cold								
HAND WASH/ WOOL 	Items labeled "hand washable"	Warm/Cold	Low (---)	Normal						Less than 3.5 kg
		Warm/Warm Tap Cold/Cold Cold/Cold	No spin (●)	Light		●	●			
SPEED WASH	Lightly soiled clothing and small loads	Hot/Cold	Extra High (≡)	Normal						Less than 2.0 kg
		Tap Cold/Cold Cold/Cold	No spin (●) Low (---)	Heavy Light		●	●			
		Warm/Cold Warm/Warm	Medium (—) High (==)							
DRAIN+ SPIN	Drain, Spin Only		High (==)							-
			Extra High (≡) No spin (●) Low (---) Medium (—)							

NOTE: To protect your garments, not every Wash/Rinse temperature, spin speed, soil level or option is available with every cycle.

How to use washer



1. POWER ON/OFF BUTTON

Press to turn the washer ON. Press again to turn the washer OFF.

NOTE: Pressing the ON/OFF button during a cycle will cancel that cycle and any load settings will be lost.

2. CYCLE SELECTOR KNOB

Turn this knob to select the desired cycle. Once the desired cycle has been selected, the standard presets will be shown in the display. These settings can be adjusted using the cycle setting buttons anytime before starting the cycle.

3. START/PAUSE BUTTON

Press this button to START the selected cycle. If the washer is running, use this button to PAUSE the cycle without losing the current settings.

NOTE: If you do not press the START/PAUSE button within 4 minutes of selecting a cycle, the washer automatically turns off.

4. CUSTOM PROGRAM BUTTON

Press the CUSTOM PROGRAM button to save and recall a customized wash cycle for future use. You can save the Cycle, Wash/Rinse Temperature, Spin Speed, and Soil Level settings, as well as other cycle options.

5. CYCLE SETTING BUTTONS

Use these buttons to select the desired cycle options for the selected cycle. The current options are shown in the display. Press the button for that option to view and select other settings.

6. DELAY WASH BUTTON

Press this button to delay the start of the wash cycle. Each press of the button increases the delay time by one hour, up to 19 hours.

7. LED DISPLAY

The display shows the settings, estimated time remaining, options, and status messages for your WASHER. The display will remain on through the cycle.

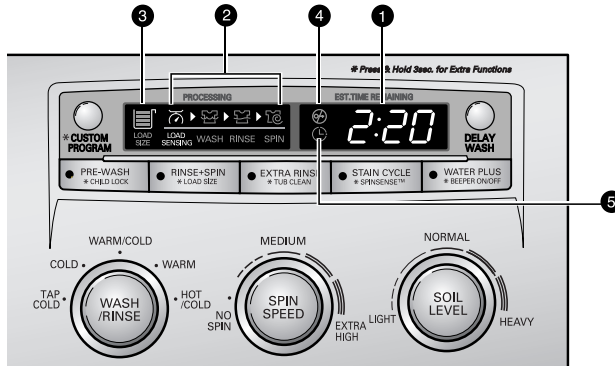
8. OPTION BUTTONS

The option buttons allow you to select additional cycle options and will light when selected. Certain buttons also allow you to activate special functions by pressing and holding the button for 3 seconds. For detailed information about the individual options, please see the following pages.

How to use washer

THE LED DISPLAY

The LED display shows the settings, estimated time remaining, options, and status messages for your washer. When the washer is turned on, the display will illuminate.



1. ESTIMATED TIME REMAINING

When the START/PAUSE button is pressed, the washer automatically detects the wash load (weight) and optimizes the washing time, based on the selected cycle and options. The display will then indicate the estimated time remaining for the selected wash cycle.

NOTE: The cycle time displayed may appear much longer than that of a top-loading washer. The displayed time is for the complete cycle, rather than just the agitation portion of the cycle, as is typically shown on a top-loading washer.

2. CYCLE COMPLETION INDICATOR

This portion of the display shows which stage of the wash cycle is currently underway (LOAD SENSING, WASH, RINSE or SPIN).

3. AUTOMATIC LOAD SIZE SENSING

At the beginning of the cycle, the washer tumbles the load and detects the weight of the clothes. The display will indicate the approximate load size in the LOAD SIZE display. This allows you to adjust the amount of detergent and other additives for best results and improved efficiency.

4. DOOR LOCK INDICATOR

Indicates that the door is locked. The washer door will lock while the washer is operating. The door can be unlocked by pressing the START/PAUSE button to stop the washer.

NOTE: If the temperature in the washer is too high, the door cannot be unlocked until the washer has cooled. If the water level is too high, select the DRAIN & SPIN cycle to drain excess water. Do not try to force open the door.

5. DELAY WASH INDICATOR

This indicator shows that the washer has been set for DELAY WASH. The washer will start automatically after the set delay time has passed.

How to use washer

OPERATING THE WASHER

Once you have loaded the washer and added laundry products (detergent, bleach, and/or fabric softener):

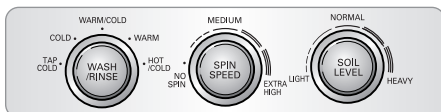
- 1 Press the ON/OFF button to turn on the washer. The lights around the cycle selector knob will illuminate.



- 2 Turn the cycle selector knob to the desired cycle. The display will show the preset Rinse/Wash Temperature, Spin Speed, Soil Level, and Option settings for that cycle.



- 3 If you would like to change the settings for that cycle, press the appropriate cycle settings button(s) until the indicator light for the desired setting is lit.



NOTE: To protect your garments, not every wash/rinse temperature, spin speed, soil level, or option is available with every cycle.

- 4 Select any additional cycle options, such as CUSTOM PROGRAM, DELAY WASH, EXTRA RINSE, or STAIN CYCLE, by pressing the button for that option.



NOTE: To protect your garments, not every wash/rinse temperature, spin speed, soil level, or option is available with every cycle.

- 5 Press the START/PAUSE button to begin the cycle. The door will latch, the display will change, and the washer will calculate the estimated time remaining. Once the washer has calculated the estimated total cycle time, the washer will start. To pause the cycle at any time, press PAUSE.



NOTE: The cycle time displayed may appear much longer than that of a top-loading washer. The displayed time is for the complete cycle, rather than just the agitation portion of the cycle, as is typically shown on a top-loading washer.

NOTE: If the temperature in the washer is too high, the door cannot be unlocked until the washer has cooled. If the water level is too high, select the SPIN cycle to drain excess water. Do not try to force the door open. Washing time can be reduced significantly for small or lightly soiled loads by selecting the Speed Wash cycle and setting the Soil Level button to Light.

- 6 When the load is finished, the beeper (if set) will sound and the door will unlock. Remove damp clothes from the washer immediately. Check under the door seal for small items.

H ow to use washer

CYCLE SETTING BUTTONS

Each cycle has preset settings that are selected automatically. You may also customize the settings using the cycle setting buttons. Press the button for that setting until the indicator light for the desired value is lit.

The washer automatically adjusts the water level for the type and size of wash load for best results and maximum efficiency. It may seem there is no water inside the drum in some cycles, but this is normal.

NOTE: To protect your garments, not every wash/rinse temperature, spin speed, soil level, or option is available with every cycle. See the Cycle Guide for details.

WASH/RINSE

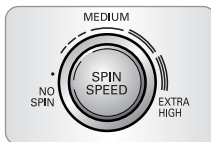


Selects the wash and rinse temperature combination for the selected cycle. Press the WASH/RINSE button repeatedly to scroll

through available settings.

- Select the water temperature suitable for the type of load you are washing. Follow the fabric care label for best results.
- Warm rinses are regulated at approximately 86°F (30°C).
- Warm rinses leave the loads drier than cold rinses. Warm rinses can increase wrinkling.
- In cold climates, a warm rinse makes the load more comfortable to handle.
- Cold rinses use less energy, and the rinse temperature depends on the cold water at the faucet.

SPIN SPEED



The washer drum spins at up to 1,100 RPM. This extracts more water from clothes, reducing drying time and saving energy.

Press the SPIN SPEED button until the indicator light for the desired setting is lit. Some fabrics, such as delicates, require a slower spin speed.

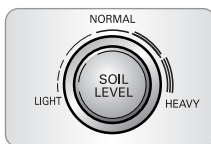
The Drain & Spin cycle:

The Spin Speed button also activates the Drain & Spin cycle to drain the tub and spin clothes; for example, if you want to remove clothes before the cycle has ended.

To activate the DRAIN & SPIN cycle:

- 1 Press the ON/OFF button to turn on the washer.
- 2 Press the SPIN SPEED button.
- 3 Select the desired spin speed.
NOTE: If NO SPIN is selected, the washer will drain only.
- 4 Press the START/PAUSE button.

SOIL LEVEL



Adjusts the selected cycle to allow more time for heavily soiled clothes or less time for lightly soiled clothes. Press the SOIL LEVEL button until the

indicator light for the desired setting is lit.

How to use washer

CUSTOM PROGRAM



CUSTOM PROGRAM allows you to store a customized wash cycle for future use. It allows you to save favorite temperature, spin speed, soil level, and other options for a cycle, and then recall them at the touch of a button.

To store a Custom Program:

- 1 Select a cycle.
- 2 Adjust the Wash/Rinse Temperature, Spin Speed, and Soil Level to the desired settings.
- 3 Set any other desired options.
- 4 Press and hold the CUSTOM PROGRAM button for 3 seconds. You will hear two beeps to confirm the settings have been stored.

IMPORTANT: If you press and hold the CUSTOM PROGRAM button for 3 seconds, you will overwrite any previously stored CUSTOM PROGRAM.

To recall a Custom Program:

- 1 Press and release the CUSTOM PROGRAM button. The stored settings will be displayed.
- 2 Press and release the START/PAUSE button to start the cycle. The washer will start automatically.

H ow to use washer

LOAD SIZE SENSING SYSTEM



At the beginning of the cycle, the washer tumbles the load and detects the weight of the clothes.

The display will indicate the approximate load size in the LOAD SIZE display. This allows you to adjust the amount of detergent and other additives for best results and improved efficiency.

The LOAD SIZE display:

Example 1: If the washer has detected a small load size, the display may only show one lighted bar. Only a small amount of detergent should be used, because the amount of clothing and the quantity of water that will be used is small.



Recommended amount for this load



Detergent manufacturer's recommended amount for a full load

Example 2: If the washer has detected a large load size, the display may show all four bars lighted. More detergent should be used, because the amount of clothing and the quantity of water that will be used is greater.



Recommended amount for this load



Detergent manufacturer's recommended amount for a full load

NOTE: Because the washer uses a very small amount of water, care should be taken when deciding how much detergent to use. Normal loads only need about half the detergent manufacturer's recommended amount. This saves detergent by using it in a more concentrated manner. However, for heavily soiled loads, additional detergent should be added. Never exceed manufacturer

To use Automatic Load Size Sensing:

- 1 Load the washer, select the desired cycle and options, and then start the cycle by pressing the START/PAUSE button.
- 2 The washer will tumble for a short time to detect the size of the load. After the washer detects the load size, the washer will show the detected size in the LOAD SIZE display for 10 seconds before it continues with the cycle.
- 3 During the 10 second delay in step three, press the START/PAUSE button to pause the cycle.
- 4 Fill the detergent and additive compartments of the detergent drawer with detergent/additive amounts based on the load size the machine has detected. Following these guidelines can save detergent.
- 5 Press the START/PAUSE button again to resume the cycle.

To check the load size during the wash portion of the cycle, press and hold the RINSE+SPIN button for 3 seconds. The LOAD SIZE display will be activated for 10 seconds.

NOTE: The load detection routine only works with dry clothes. Since the detection system is detecting the WEIGHT of the load, it will be affected by unusually heavy articles in the load. For example, a garment that is already wet that is loaded with other items will cause the LOAD SIZE reading to be inaccurate.

If you do not desire to take advantage of the load size detection feature, simply load the desired amount of detergent and additives in the dispenser and start the washer in the usual manner.

How to use washer

CYCLE OPTION BUTTONS

Your washing machine features several additional cycle options to customize cycles to meet your individual needs. Certain option buttons also feature a special function (see the following page for details) that can be activated by pressing and holding that option button for 3 seconds.

To Add Cycle Options to a Cycle:

- 1 Turn on the washer and turn the cycle selector knob to select the desired cycle.
- 2 Use the cycle settings buttons to adjust the settings for that cycle.
- 3 Press the cycle option button(s) for the option you would like to add. The cycle option buttons, except DELAY WASH, will light when selected.
- 4 Press the START/PAUSE button to start the cycle. The washer will start automatically.

NOTE: To protect your garments, not every wash/rinse temperature, spin speed, soil level or option is available with every cycle. See the Cycle Guide for details.

DELAY WASH



Once you have selected the cycle and other settings, press this button to delay the start of the wash cycle. Each press of the button increases the delay time by one hour, up to 19 hours.

PRE-WASH



Select this option to add a 16-minute prewash and spin cycle to the chosen cycle. This is especially useful for heavily soiled items.

RINSE+SPIN



Select this option to rinse and spin a load separately from a regular cycle. This can be helpful in preventing fresh stains from setting in fabrics.

To activate the Rinse+Spin cycle:

- 1 Press the ON/OFF button to turn on the washer.
- 2 Press the RINSE+SPIN button.
- 3 Press the START/PAUSE button.

EXTRA RINSE



This option will add an extra rinse cycle to the selected cycle. Use this option to help ensure the removal of detergent or bleach residue from fabrics.

STAIN CYCLE



Select this option for heavily stained clothes, such as play clothes or work clothes. Stain Cycle will add extra wash time to the selected cycle, as well as an additional rinse cycle.

WATER PLUS



Select this option to add extra water to the wash and rinse cycles for superior results, especially with large or bulky items.

H ow to use washer

SPECIAL FUNCTIONS

The option buttons also activate special functions, including LOAD SIZE, BEEPER ON/OFF, CHILD LOCK, TUB CLEAN and SPINSENSE™. Press and hold the option button marked with the special function for 3 seconds to activate.

LOAD SIZE



At the beginning of the cycle, the washer tumbles the load and detects the weight of the clothes. The display will indicate the approximate load size in the LOAD SIZE display. This allows you to adjust the amount of detergent and other additives for best results and improved efficiency. See page 19 for details.

CHILD LOCK



Use this option to prevent unwanted use of the washer or to keep cycle settings from being changed while the washer is operating. Press and hold the PRE-WASH button for 3 seconds to activate or deactivate CHILD LOCK.

The lock icon will be shown in the display, and all controls are disabled. The washer can be locked during a cycle. Once CHILD LOCK is selected, the display will alternate between CL and the time remaining.

TUB CLEAN



A buildup of detergent residue can occur in the wash tub over time and can lead to a mildewy or musty smell. The TUB CLEAN cycle is specially designed to remove this buildup. Press and hold the EXTRA RINSE button for 3 seconds to activate this cycle. After the cycle has ended, open the door and allow the drum interior to dry completely.

NOTE: Do NOT use this cycle with clothes, and do NOT add detergent or fabric softener.

NOTE: If you use the TUB CLEAN cycle on a monthly basis, the wash drum will be kept clean.

SPINSENSE™



SPINSENSE™ can be used to help reduce or eliminate vibrations, especially on wood floor installations.

To activate SPINSENSE™:

While the washing machine is running in any cycle, press and hold the STAIN CYCLE button for 3 seconds.

The SPIN SPEED light will blink while is active. The SPINSENSE™ function will remain active for every cycle, even after a power failure.

To cancel SPINSENSE™:

Press and hold the STAIN CYCLE button for 3 seconds to turn off the SPINSENSE™ function.

BEEPER ON/OFF




You may turn the end-of-cycle beeper on or off with the WATER PLUS button.

Press and hold the WATER PLUS button for 3 seconds to turn the beeper OFF.

Press and hold the WATER PLUS button again for 3 seconds to turn the beeper back on.

HAND WASH/WOOL

- Only woolen items that are designated as “Machine-Washable” should be washed in this washing machine
- Wash only small loads for optimum fabric care (less than 8 libras)
- Only neutral (wool safe) detergents should be used (Only a small quantity of detergent is needed due to the small load size and low volume of water in the cycle.)
- The HANDWASH/WOOL cycle uses a gentle tumble action and low speed spin for ultimate fabric care

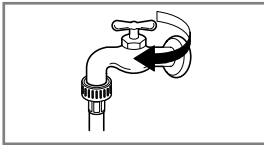
 The wool wash cycle of this machine has been approved by Woolmark for the washing of machine washable Woolmark products provided that the products are washed according to the instructions on the garment label and those issued by the manufacturer of this washing machine, M0807

Maintenance

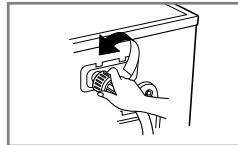
- * Before cleaning the washer interior, unplug the electrical power cord to avoid electrical shock to avoid electrical shock hazards.
- * When disposing of the appliance, cut off the mains cable, and destroy the plug Disable the door lock to prevent young children being trapped inside.

■ The water inlet filter

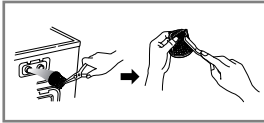
- " ; E " error message will blink on the control panel when water does not enter the detergent drawer.
 - If your water is very hard or contains traces of lime deposit, the water inlet filter may become clogged.
- It is therefore a good idea to clean it from time to time.



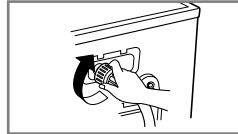
1. Turn off the water tap.



2. Unscrew the water inlet hose.



3. Clean the filter using a hard bristle brush.



4. Tighten up the inlet hose.

■ The drain pump filter

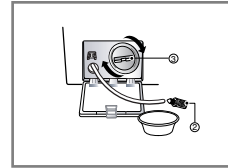
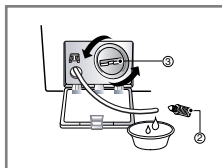
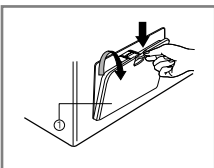
- * The drain filter collects threads and small objects left in the laundry.
- Check regularly that the filter is clean to ensure smooth running of your machine.

⚠ CAUTION First drain using the drain and then open the pump filter to remove whatever any threads or objects.

Be careful when draining if the water is hot.

- * Allow the water to cool down before cleaning the drain pump filter.

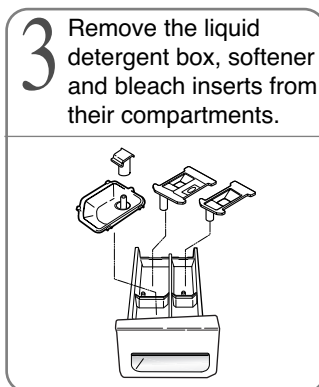
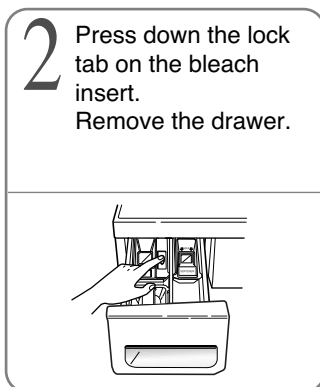
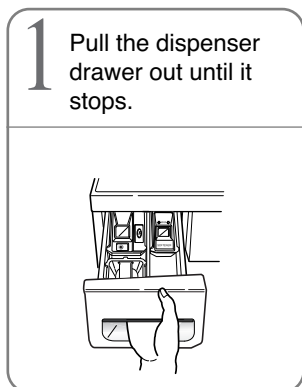
1. Open the lower cover cap (①) by using a finger. Turn the drain plug (②) to pull out the hose.
2. Unplug the drain plug (②), allowing the water to flow out. At this time use a vessel to prevent water flowing on to the floor. When water does not flow any more, turn the pump filter (③) open to the left.
3. Remove any foreign material from the pump filter (③). After cleaning, turn the pump filter (③) clockwise and insert the drain plug (②) to the original place. close the lower cover cap.



Maintenance

■ Cleaning the Dispenser

- The dispenser may need to be cleaned periodically due to laundry additive build-up.



- Run warm water and a soft brush or cloth over the drawer, liquid detergent box and inserts to remove any excess laundry additives.
- Clean the drawer opening using water and a small brush.
- Follow the illustrations in reverse order to replace the parts to their proper location.

NOTE: Do not use any cleaning substance on the drawer opening other than water because it will drain into the tub.

If this should happen, set the washer for a rinse and spin cycle to remove any cleaning substance from the washer before doing a load of laundry.

■ The washing drum

- If you live in a hard water area, lime scale can continuously builds up in places where it cannot be seen and it is not easily removed from the drum. Over time the build-up of scale clogs appliances, and if it is not kept in check, these will eventually have to be replaced.
- Although the washing drum is made of Stainless steel, specks of rust can be caused by small metal articles (paper clips, safety pins, etc.) which have been left in the drum.
- The washing drum should be cleaned from time to time.
- If you use descaling agents, dyes, or bleaches, make sure they are suitable for washing machine use.
- Descaler could contain components that can damage part of your washing machine.
- Remove the spots with a stainless steel cleaning agent.
- Never use steel wool.

Maintenance

■ The water circulation nozzle

- Clean the water circulation nozzle, if clogged.

■ Cleaning your washer

1. Exterior

Proper care of your washer can extend its life.

The outside of the machine can be cleaned with warm water and a neutral, non-abrasive household detergent.

Immediately wipe off any spills. Wipe with a damp cloth.

Try not to damage the surface with sharp objects.

* **IMPORTANT:** Do not use methylated spirit, solvents or similar products.

2. Interior

Dry around the washer door opening, door seal and door glass. These areas should always be clean to ensure a water-tight seal.

TUB CLEAN is a special cycle for cleaning the inside of the washer. This cycle uses higher water level with higher spin speed. Perform this cycle regularly.

• To start the TUB CLEAN cycle:

1. Remove any clothing or items from the washer and close the door.
2. Open the dispenser drawer and add liquid chlorine bleach to the bleach compartment.
NOTE: Do not add any detergent to the detergent compartments. Excessive suds may be produced and leak from the washer.
3. Close the dispenser drawer slowly.
4. After pressing the 'Power' button, turn the 'Course selection' dial to select 'TUB CLEAN'.
5. Press the **Start/Pause** button to start.
6. After the cycle is complete, leave the door open to dry around the washer door opening, door seal and door glass.

⚠ CAUTION: If there are small children in the house, care must be taken so that they can not climb into or play inside the washer while it is open for drying.

NOTE: Remove hard water deposits using only cleaners labeled as safe for washing machines.

■ Winterizing instructions

If the washer is stored in an area where freezing can occur or moved in freezing temperatures, follow these winterizing instructions to prevent damage to the washer:

1. Turn off water supply tap.
2. Disconnect hoses from water supply and drain water from hoses.
3. Plug electrical cord into a properly grounded electrical outlet.
4. Add 1 gallon (3.8 ℓ) nontoxic recreational vehicle (RV) antifreeze to empty wash drum. Close door.
5. Set spin cycle and let washer spin for 1 minute to drain out all the water.
Not all of the RV antifreeze will be expelled.
6. Unplug electrical power cord, dry drum interior, and close door.
7. Remove the two-compartment container from the Dispenser. Drain any water in compartments and dry the compartments.
8. Store washer in an upright position.
9. To remove antifreeze from washer after storage, run empty washer through a complete cycle using detergent. **Do not add laundry.**

Troubleshooting guide











* This washing machine is equipped with automatic safety functions which detect and diagnose faults at an early stage and react appropriately.
When the machine does not function properly or does not function at all, check the following points before you contact your service provider.

Symptom	Possible Cause	Solution
Rattling and clanking noise	<ul style="list-style-type: none"> Foreign objects such as coins or safety pins maybe in drum or pump. 	<p>Stop washer and check drum and drain filter.</p> <p>If noise continues after washer is restarted, call your authorised service centre.</p>
Thumping sound	<ul style="list-style-type: none"> Heavy wash loads may produce a thumping sound. This is usually normal. 	<p>If sound continues, washer is probably out of balance. Stop and redistribute wash load.</p>
Vibrating noise	<ul style="list-style-type: none"> Have all the transit bolts and packing been removed? Wash load may be unevenly distributed in the drum. Are all the feet resting firmly on the ground? 	<p>Refer to Installation guide for removing transit bolts.</p> <p>Stop washer and rearrange wash load.</p> <p>Adjust the leveling feet. Make sure all four feet are in firm contact with the floor, while the washer is in the spin cycle with load.</p>
Water leaks.	<ul style="list-style-type: none"> Fill hoses or drain hose are loose at tap or washer. House drain pipes are clogged. 	<p>Check and tighten hose connections.</p> <p>Unclog drain pipe. Contact plumber if necessary.</p>
Oversudsing		<p>Too much detergent or unsuitable detergent may cause excessive foaming which may result in water leaks.</p>
Water does not enter washer or it enters slowly	<ul style="list-style-type: none"> Water supply is not adequate in area. Water supply tap is not completely open. Water inlet hose(s) are kinked. The filter of the inlet hose(s) clogged. 	<p>Check another tap in the house.</p> <p>Fully open tap.</p> <p>Straighten hose.</p> <p>Check the filter of the inlet hose.</p>
Water in the washer does not drain or drains slowly.	<ul style="list-style-type: none"> Drain hose is kinked or clogged. The drain filter is clogged. 	<p>Clean and straighten the drain hose.</p> <p>Clean the drain filter</p>

Troubleshooting guide

Symptom	Possible Cause	Solution
Washer does not start	<ul style="list-style-type: none"> • Electrical power cord may not be plugged in or connection may be loose. • House fuse blown, circuit breaker tripped, or a power outage has occurred. • Water supply tap is not turned on. 	<p>Make sure plug fits tightly in wall outlet.</p> <p>Reset circuit breaker or replace fuse. Do not increase fuse capacity. If problem is a circuit overload, have it corrected by a qualified electrician.</p> <p>Turn on water supply tap.</p>
Washer will not spin	<ul style="list-style-type: none"> * Check that the door is firmly shut. 	<p>Close the door and press the Start/Pause button. After pressing the Start/Pause button, it may take a few moments before the clothes washer begins to spin. The door must lock before spin can be achieved.</p>
Wash cycle time delayed	<p>The washing time may vary by the amount of laundry, water pressure, water temperature and other usage conditions.</p>	<p>If the imbalance is detected or if the suds removing program works, the wash time shall be increased.</p>

Troubleshooting guide

Symptom	Possible Cause	Solution
	<ul style="list-style-type: none"> • Water supply is not adequate in area • Water supply taps are not completely open. • Water inlet hose(s) are kinked. • The filter of the inlet hose(s) are clogged. 	<p>Check another tap in the house. Fully open tap.</p> <p>Straighten hose(s). Check the filter of the inlet hose.</p>
	<ul style="list-style-type: none"> • Drain hose is kinked or clogged. • The drain filter is clogged. 	<p>Clean and straighten the drain hose. Clean the drain filter.</p>
	<ul style="list-style-type: none"> • Load is too small. • Load is out of balance. • The appliance has an imbalance detection and correction system. If individual heavy articles are loaded (ex. bath mat, bath robe, etc.) this system may stop spinning or even interrupt the spin cycle altogether. • If the laundry is still too wet at the end of the cycle, add smaller articles of laundry to balance the load and repeat the spin cycle. 	<p>Add 1 or 2 similar items to help balance the load. Rearrange load to allow proper spinning</p>
	 <ul style="list-style-type: none"> • Is the door opened? 	<p>Close the door. * If “dE” is not released, call for service.</p>
		<p>Unplug the power plug and call for service.</p>
	<ul style="list-style-type: none"> • Water overfills due to the faulty water valve. 	<p>Close the water tap. Unplug the power plug. Call for service.</p>
	<ul style="list-style-type: none"> • Water level sensor has malfunctioned. 	
	<ul style="list-style-type: none"> • Over load in motor. 	
	<ul style="list-style-type: none"> • The washer experienced a power failure. 	<p>Restart the cycle.</p>



MANUAL DEL PROPIETARIO LAVADORA

Favor de leer este manual cuidadosamente antes de utilizar su lavadora y consérvelo para una referencia futura.

WDD16515BD



C aracterísticas del producto



■ Capacidad Máxima

El tambor es mas amplio y tiene fuerza centrifuga fuerte logrando menos enredo y cero arrugas. En el lavado es posible una carga pesada incluyendo edredones tamaño King size, sábanas y cortinas.



■ Sistema “Direct Drive”.

El motor cuenta con una avanzada tecnología ya que se encuentra adherido a la tina y no necesita polea ni cintillas, moviendo directamente la tina.



■ Tambor Inclinado y Puerta Extra Grande.

El tambor inclinado y la abertura de puerta extra grande, hacen más fácil la carga y descarga de la ropa.



■ Burbujas de Lavado.

Las burbujas de lavado mejoran el rendimiento del lavado y reduce el daño a la ropa. Los chorros rocían y ayudan a mantener la ropa en la parte inferior de la tina mejorando el rendimiento del lavado mientras mantiene el cuidado de la tela.



■ Detección automática de la carga de lavado.

Automáticamente detecta la carga y optimiza el tiempo de lavado.



■ Bloqueo para Niños.

El Bloqueo para niños previene que los niños presionen los botones y cambien la configuración durante la operación.

Índice

Advertencias	3
Especificaciones	4
Instalación	5
Cuidados antes del lavado	10
Uso del dispensador	11
Función	13
Cómo utilizar la lavadora	14
Mantenimiento	22
Guía para la resolución de fallas	25

A dvertencias

LEA TODA LA INFORMACIÓN ANTES DE SU USO



ADVERTENCIA

Por su seguridad, siga la información de este manual para minimizar el riesgo de provocar un incendio, una explosión, o una descarga eléctrica, y para evitar que se dañe el electrodoméstico, que alguien resulte herido, o que alguien pierda la vida.

Información Importante de Seguridad

ADVERTENCIA: Para reducir el riesgo de incendio, descarga eléctrica, ó heridas, al usar la lavadora, siga las precauciones básicas incluyendo las siguientes:

- Lea todas las instrucciones antes de usar la lavadora.
- No lave artículos que hayan sido previamente limpiados con, lavados con, mojados con, ó manchados con gasolina, solventes para lavado en seco, u otra sustancia inflamable ó explosiva, ya que estas despiden vapores que pueden incendiarse ó explotar.
- No agregue gasolina, solventes para lavado en seco ó cualquier otra sustancia inflamable ó explosiva al agua de lavado. Estas sustancias despiden vapores que pueden incendiarse ó explotar.
- Bajo ciertas condiciones, se puede producir gas de hidrógeno en sistemas de agua caliente que no han sido usados por 2 semanas ó mas. **EL GAS DE HIDRÓGENO ES EXPLOSIVO.** Si el sistema de agua caliente no ha sido usado por 2 semanas ó mas, antes de usar la lavadora, abra todas las llaves del agua caliente y deje el agua correr por algunos minutos. Esto liberará cualquier rastro de gas de hidrógeno acumulado. Como el gas es inflamable, no fume ó use ninguna flama abierta durante este tiempo.
- No permita que los niños jueguen sobre ó dentro de la lavadora. Deberá cuidar de cerca a los niños cuando la lavadora sea usada cerca de ellos.
- Antes de retirar la lavadora para servicio ó desecharla, retire la puerta para prevenir que los niños se escondan dentro.
- No instale ó almacene la lavadora donde esté expuesta a la intemperie.
- No estropee los controles.
- No intente reparar ni reemplazar ninguna parte de la lavadora ni intente dar servicio a menos que sea recomendado específicamente en las instrucciones de mantenimiento del usuario ó publicado en las instrucciones de reparación para el usuario que usted entienda y tenga la habilidad de llevar a cabo.
- Vea las instrucciones de instalación para los requerimientos de conexión a tierra.
- SIEMPRE siga las instrucciones de cuidado de la tela provistas por el fabricante de la prenda.
- No coloque artículos manchados de aceite de cocina en su lavadora. Los artículos contaminados con aceite de cocina pueden contribuir a una reacción química que provoque el incendio de una carga.
- No use suavizantes de telas ni productos eliminadores de estática a menos que sea recomendado por el fabricante del suavizante de telas ó el producto.

GUARDE ESTAS INSTRUCCIONES

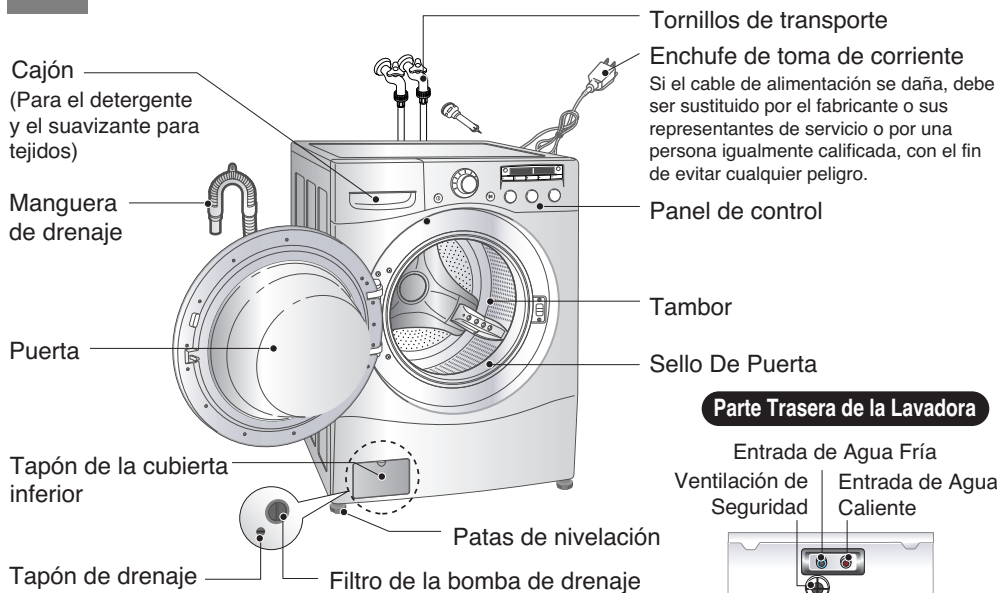
INSTRUCCIONES DE CONEXION A TIERRA

Este aparato debe ser conectado a tierra. Dado el caso de descompostura ó mal funcionamiento, la conexión a tierra reduce el riesgo de recibir una descarga eléctrica proveyendo una vía de menor resistencia a la corriente eléctrica. Este aparato esta equipado con un cable que tiene un conductor de equipo a tierra y una clavija de tierra. La clavija debe ser conectada en una toma de corriente adecuada que esté propiamente instalada y conectada a tierra de acuerdo con los códigos y ordenanzas locales.

- No use un adaptador ni un cable eléctrico de extensión.
- No quite el terminal de conexión a tierra.
- Si no cuenta con la toma de corriente adecuada, consulte a un electricista.

ADVERTENCIA: Una conexión inapropiada del conductor de equipo a tierra puede resultar en riesgo de recibir una descarga eléctrica. Verifique con un electricista calificado si tiene dudas sobre si el aparato esta correctamente conectado a tierra. No modifique la clavija provista con el aparato. Si no encaja con la toma de corriente, haga instalar una toma de corriente adecuada por un electricista calificado.

Especificaciones



- Nombre : Lavadora de carga frontal
- Fuente de alimentación : 120 V~ 60 Hz
- Tamaño : 686 mm(An) X 756 mm(P) X 983 mm(Al) / 1 295 mm (P, puerta abierto)
- Peso del producto : 86 kg (190 libras)
- Capacidad de lavado : 16 kg (35 libras)
- Potencia nominal : 600 W
- Velocidad de centrifugado : 1 100 r/min max.
- Presión admisible del agua : 0,3 - 10 kgf/cm² (30 - 1 000 kPa)

* El aspecto y las especificaciones pueden variar sin previo aviso para aumentar la calidad de las unidades

■ Accesorios



Manguera de entrada (1 EA)
Opción :
Caliente/Frío(2 EA)



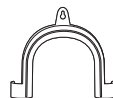
Llave de tuercas



Tapón (4 EA)



Correa de amarre



Abrazadera de codo



Alfombrillas antideslizantes

Instalación

Instálelo o guárdelo donde no quede expuesto a temperaturas bajo cero o a la intemperie.

La apertura de la base no debe estar obstruida por alfombras cuando se instala la lavadora sobre un suelo con alfombras u otro elemento.

Instálela o guárdela donde no esté expuesta a temperaturas bajo cero o expuesta al ambiente.

Lavadora compatible con todas las órdenes y códigos para su uso.

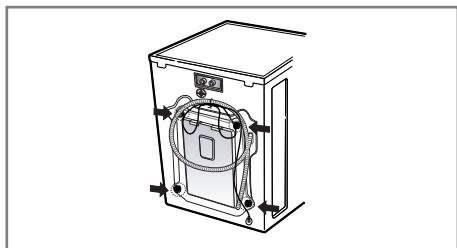
La base no debe de ir obstruida por carpetas o tapetes cuando la lavadora sea instalada en piso alfombrado.

En países con áreas propensas a las plagas como cucarachas u otro animal, tengan particular atención en mantener el área y la lavadora, limpios en todo momento. Cualquier daño hecho por cucarachas u otras plagas no será cubierto por la garantía.

■ Tornillos de transporte

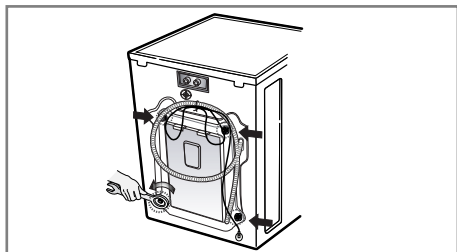
Este aparato está provisto de tornillos de transporte para impedir daños internos durante éste.

■ Desmontaje de los tornillos de transporte

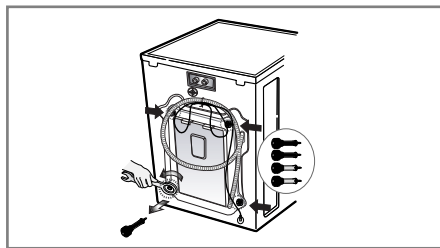


1. Para impedir los daños internos durante el transporte, los 4 tornillos especiales estarán bloqueados. Antes de hacer funcionar la lavadora, quite los tornillos junto con los tapones de caucho.

• Si no se quitan, se puede provocar una fuerte vibración, ruido y un funcionamiento defectuoso.

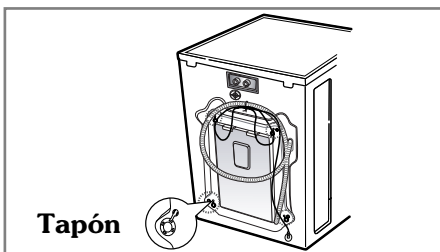


2. Desatornille los 4 tornillos con la llave suministrada.



3. Quite los 4 tornillos junto con los tapones de caucho retorciendo ligeramente el tapón. Conserve los 4 tornillos y la llave de tuercas para uso futuro.

• Siempre que se transporte el aparato, se deben volver a colocar los tornillos de transporte.



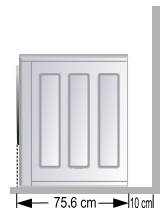
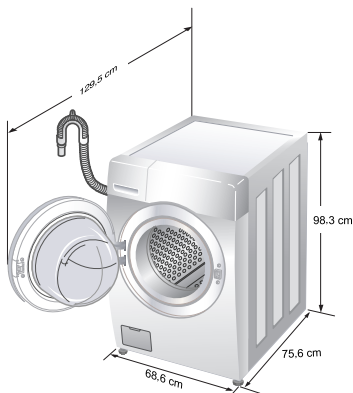
4. Cierre los agujeros con los tapones suministrados.

Instalación

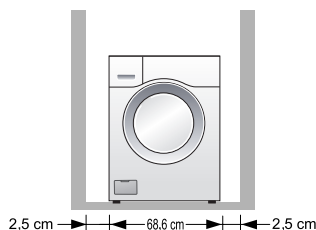
■ Espacios libres de instalación

El lugar debe ser lo suficientemente grande para abrir en su totalidad la puerta de la lavadora.

■ Dimensiones de la lavadora



[Vista lateral]



[Vista frontal]

- La mayoría de las instalaciones requieren un mínimo de 10 cm de espacio libre detrás de la lavadora.

■ Espacio mínimo de instalación para área reducida o instalación en un armario.

Las dimensiones mostradas a continuación son el espaciamiento mínimo permitido.

- Un espacio adicional debe ser considerado para la instalación y el mantenimiento.
- Un espacio libre adicional puede ser requerido para molduras de pared, puerta y piso.
- Un espacio adicional de una pulgada 2,5 cm a todos los lados de la lavadora es recomendado para reducir la transferencia del ruido.
- Para instalación en un armario con puerta, son requeridas un mínimo de aberturas en la parte superior e inferior de la puerta.

El espacio para un artefacto complementario también debe ser considerado.

■ Nivele el Piso

- La inclinación admisible debajo de la lavadora completa es de 1°.
- **Pare reducir ruido y vibración, la lavadora debe ser instalada en un piso construido sólidamente.**
- Superficies con alfombras y azulejos no son recomendadas.
- Nunca instale la lavadora en una plataforma o en una estructura débil.

NOTA: Un piso firme y sólido es más necesario para una Carga Frontal que para una Carga Superior. Si su piso es de madera o está en construcción, puede ser que necesite reforzarlo. Las Cargas Frontales tienen mayor revolución que las Cargas Superiores, causando más vibración. Si el piso no es sólido, su lavadora va a vibrar. Va a oír y sentir la vibración en toda su casa.

■ Toma de Corriente

- Debe ser de 1,5 m (60 pulgadas) hacia cualquier lado de la lavadora. No sobrecargue la toma de corriente con mas de un aparato.
- Se recomienda usar un regulador de voltaje para evitar daños por descarga eléctrica.

NOTA: Es responsabilidad y obligación del consumidor tener propiamente instalado su producto por un electricista calificado.

Instalación

■ Conexión eléctrica

1. No utilice una extensión o un adaptador doble.
 2. Si el cable de alimentación está dañado, debe ser sustituido por el fabricante o sus representantes de servicio o por una persona igualmente calificada con el fin de evitar cualquier peligro.
 3. Desenchufe siempre la máquina y cierre el suministro de agua después del uso.
 4. Conecte la máquina a un enchufe con puesta a tierra según las normativas de cableado vigentes.
 5. El aparato se debe colocar de forma que el enchufe sea fácilmente accesible.
- Los servicios de reparación de las lavadoras sólo podrán ser llevados a cabo por personal autorizado. Las reparaciones que realizara cualquier persona no cualificado podrían provocar graves lesiones o mal funcionamientos. Póngase en contacto con su centro de servicio de atención.
 - No instale su lavadora en habitaciones en las que se pudieran registrar temperaturas muy bajas. Las mangueras heladas pueden llegar a estallar si se les somete a una gran presión. La fiabilidad de la unidad de control puede verse dañada si se somete a temperaturas por debajo del punto de congelación.
 - Si la entrega de un electrodoméstico se realiza en los meses de invierno y en condiciones de temperaturas bajo cero: Guarde la lavadora a temperatura ambiente unas cuantas horas antes de ponerla en funcionamiento.

PRECAUCIÓN

Precauciones de los Cordones de Enchufes

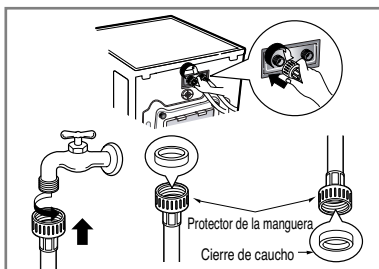
En la mayoría de los electrodomésticos se recomienda que sean puestos en un circuito que sea dedicado sólo para ellos; esto significa, un solo circuito de salida el cual sólo le da energía a ese electrodoméstico y no tiene salidas adicionales o sucursal de circuitos (otras sucursales de circuitos). Revisar la página de las especificaciones en este manual de usuario para estar seguro.

No se debe sobre cargar la pared de las salidas de energía. Sobrecargar la pared de salida de energía es peligroso, también lo es tener la pared de salida de energía suelta o dañada, cordones de extensión, cordones deshilachados, o el aislamiento de cordones dañados o rajados. Cualquiera de estas condiciones pueden resultar en un corto circuito o un incendio. Periódicamente examine los cordones de sus electrodomésticos, y si parece que están dañados o deteriorados, desconéctelos, deje de usar el electrodoméstico, y reemplace el cordón con otro cordón de la mismas características de un servidor autorizado.

Proteger el enchufe y cordones de maltratos físicos o mecánicos, tales como ser doblados, retorcidos, peñiscados, dañados con la puerta al cerrarla, o caminar por encima de los mismos. Prestarle una atención particular a los enchufes, en las paredes de salida de energía, y el punto de donde el cordón sale del electrodoméstico.

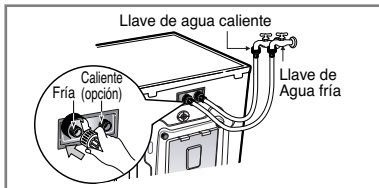
■ La lavadora se debe conectar a la red principal del agua utilizando conjuntos de mangueras nuevos y no utilizando mangueras usadas.

■ Conexión de la manguera de suministro de agua



- ▶ La presión del suministro de agua debe estar entre 30 kPa y 1 000 kPa (0,3-10 kgf/cm²)
- ▶ No dobles ni cruce al conectar la manguera de entrada a la válvula
- ▶ Si la presión del suministro de agua es mayor de 1 000 kPa se debe instalar un dispositivo de descompresión.

- Se suministran dos anillos con la manguera de entrada de agua en el conector de la válvula con el fin de evitar fugas de agua.
- Compruebe la presión del agua en las conexiones de la lavadora abriendo completamente el grifo.
- Compruebe periódicamente el estado de la manguera y sustitúyala si es necesario.
- Por lo que deben en primera instancia utilizarse las mangueras nuevas suministradas en su aparato. Es importante no reutilizar las usadas.
- Asegúrese de que no hay retorcimiento en la manguera y de que no está aplastada.



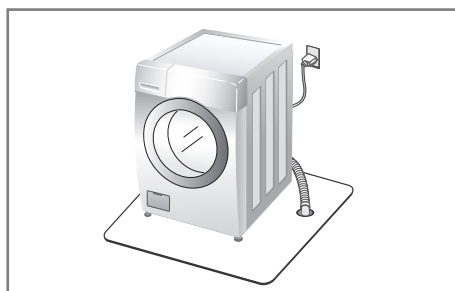
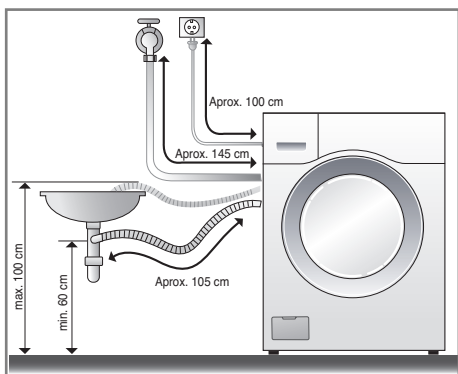
- ▶ Cuando su lavadora tiene dos válvulas

- La manguera de entrada que tiene el conector rojo es para la llave de agua caliente.
- Si la lavadora tiene dos válvulas, se ahorra energía utilizando la válvula de agua caliente.

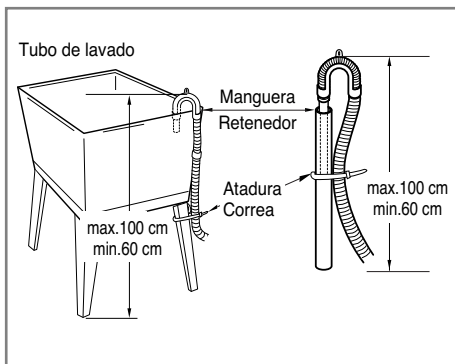
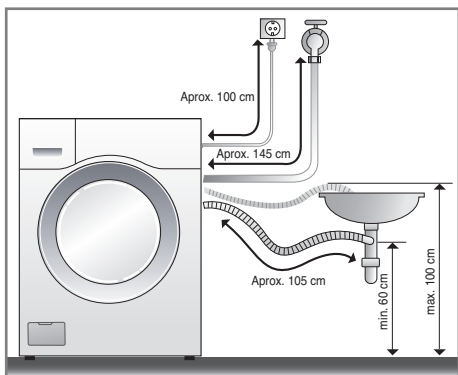
Instalación

Este equipo no está diseñado para uso marítimo o para instalaciones móviles como caravanas, avionetas, etc. Desconecte la lavadora si no se va a utilizar por un periodo largo de tiempo (por ejemplo, vacaciones), especialmente si no hay un drenaje en el piso del lugar. Cuando ya no utilice la lavadora, quite los cables principales y destruya el conector. Deconecte el seguro de la puerta para evitar que niños pequeños se queden atrapados dentro de la lavadora. El material para envolver puede causar sofocación en los niños. Mantenga todo el material del empaque lejos de los niños.

■ Instalación del desagüe



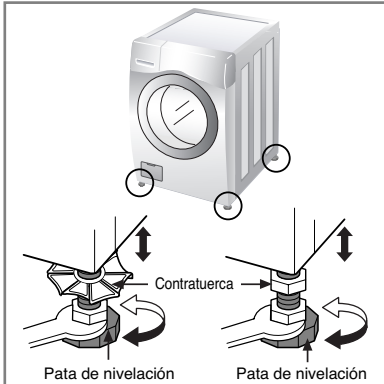
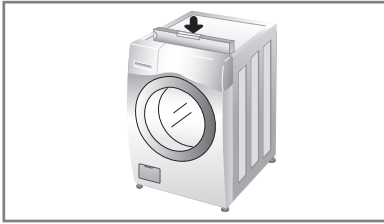
- Ubique el extremo de la manguera de desagüe en el orificio del sistema de drenaje en el piso.



- La manguera de desagüe no debería estar a mas de 1 m de altura del suelo.
- Afianzando la instalación, el tubo de desagüe protegerá el suelo de dañarlo a causa de escapes de agua.
- Cuando el tubo de la manguera es muy largo, por favor no llene la lavadora, podría causar un ruido extraño.
- Cuando instale la manguera de desagüe, asegúrela firmemente, procurando que no se mueva atándola con una cuerda.
- Asegurando la instalación, el tubo del desagüe protegerá el suelo de derrames de agua.

Instalación

■ Ajuste de nivel



1. La nivelación correcta de una lavadora impide el ruido y vibraciones excesivas.

Instale el aparato sobre una superficie de suelo sólida y nivelada, preferiblemente en la esquina de una habitación.

NOTA: No extienda las patas niveladoras más de lo necesario.

Mientras más extendidas estén, más vibración puede haber.

2. Si el suelo no está nivelado, ajuste las patas de nivelación según sea necesario (no introduzca trozos de madera, etc. debajo de las patas). Asegúrese de que los cuatro patas estén estables y descansan sobre el suelo y, a continuación, compruebe que el electrodoméstico está perfectamente nivelado (utilice un nivel de burbuja de aire)

* Después de ajustar las patas, apriete la contratuerca girándola en sentido contrario a las agujas del reloj.

NOTA: Si existe una vibración o ruido durante el centrifugado, vuelva a revisar el nivel de balance de la lavadora. Ajuste las patas hasta donde lo requiera y asegure los tornillos para evitar cambios en el nuevo ajuste. Inicie el lavado con una prueba de lavado para asegurarse que está bien nivelada. Cargue aproximadamente 2,7 kg de ropa en la lavadora. Luego presione ENCENDIDO, ENJUAGUE+ CENTRIFUGADO e INICIO/PAUSA, en ese orden. Cuando la lavadora esté girando a su mayor velocidad verifique si está estable. Si no, ajuste nuevamente las patas.

* *Comprobación en diagonal*

Al empujar hacia abajo y en diagonal los bordes de la placa superior de la lavadora, la máquina no se debe mover ni un centímetro arriba o abajo en absoluto. (Compruebe esto en ambas direcciones)

Si la máquina cabecea al empujar la placa superior de la máquina en diagonal, ajuste de nuevo las patas.

■ Instalación de las almohadillas antideslizantes (opcional)

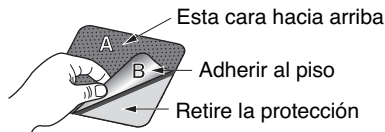
Las superficies de algunos pisos son demasiado deslizantes para evitar que la lavadora se mueva sobre el piso durante los ciclos de lavado de cargas fuertemente desbalanceadas.

Aunque se considera normal el desbalanceo puntual de ciertas cargas, se pueden producir ruidos y vibraciones excesivos debidos al desplazamiento de la lavadora.

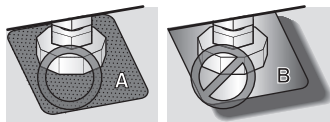
Si se producen estas condiciones, siga las instrucciones expuestas a continuación relativas a la instalación de las almohadillas antideslizantes.

Estas almohadillas antideslizantes ayudarán a evitar que la lavadora se desplace durante los ciclos de lavado con carga fuertemente desbalanceada, al mismo tiempo que reducirán el ruido y la vibración.

• Almohadillas antideslizantes



* **Coloque las almohadillas bajo ambos pies frontales**



**ADVERTENCIA**

Para reducir el riesgo de incendio, descarga eléctrica o daño a personas, lea las Instrucciones Importantes de Seguridad antes de operar este artefacto.

1. Etiquetas de cuidados

Busque la etiqueta de cuidados de sus prendas. Ésta le indicará el contenido del tejido de su prenda y cómo se debe lavar.

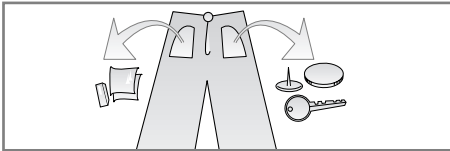
2. Clasificación

Para obtener los mejores resultados, clasifique la ropa en cargas que se puedan lavar con el mismo ciclo de lavado. Los tejidos diferentes necesitan lavarse de diferentes formas, con temperatura de agua y velocidad de centrifugado diferentes. Separe siempre los colores oscuros de los claros y blancos. Lávelos por separado, ya que se puede producir una transferencia de colores e hilos, lo que provocará la decoloración del blanco, etc. Si es posible, no lave artículos muy sucios con uno ligeramente sucio.

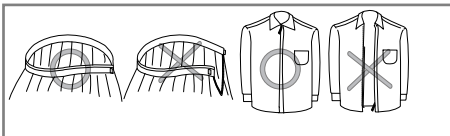
Suciedad (Pesada, Normal, Ligera)	Separe las prendas según la cantidad de suciedad.
Color (Blanco, Claros, Oscuros)	Separe los tejidos blancos de los tejidos de color.
Hilachas (Productores o recolectores de hilachas)	Lave por separado los productores de hilachas los recolectores de hilachas.

3. Cuidados antes de la carga

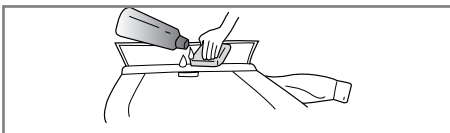
Mezcle prendas grandes y pequeñas en una misma carga. Cargue los artículos grandes en primer lugar. Los artículos grandes no deben representar más de la mitad del total de la carga. No lave prendas por separado. Esto puede provocar una carga desequilibrada. Añada uno o dos artículos similares.



- Compruebe que todos los bolsillos están vacíos. Los objetos tales como clavos, horquillas, cerillas, bolígrafos, monedas y llaves pueden dañar tanto su lavadora como su ropa.



- Cierre las cremalleras, corchetes y cordones para asegurarse de que estos artículos no se enganchen en otras prendas.



- Trate previamente la suciedad y las manchas cepillando con un poco de detergente disuelto en agua sobre las manchas como cuellos y puños de camisas para quitar mejor la suciedad.

Uso del dispensador

El dispensador automático consiste de cuatro compartimentos que almacenan: 1) blanqueador líquido clorado, 2) suavizante para telas líquido, 3) detergente líquido o en polvo para el prelavado y 4) detergente en polvo o líquido y blanqueador para los colores en el lavado principal. Todos los productos de lavandería pueden ser añadidos al mismo tiempo en su respectivo compartimiento dispensador. Estos se mezclarán a su debido tiempo para lograr la limpieza más efectiva. Después de cargar los aditivos para el lavado en el dispensador, cierre la tapa del dispensador.

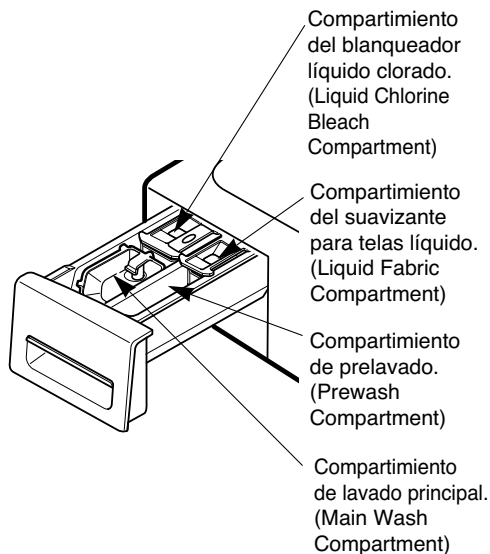
Añada detergente, blanqueador y suavizante para telas al dispensador automático de acuerdo con los siguientes pasos:

1. Abra el cajón del dispensador.
2. Ponga los productos para el lavado en los compartimientos apropiados.
3. Cierre el cajón del dispensador.

■ Acerca del Detergente

Para esta lavadora se recomienda un detergente poco espumoso. Use la cantidad recomendada por el fabricante. Si no hay detergente de poca espuma disponible, una cantidad reducida de detergente regular puede ser usado. Debido a que la reducción en la cantidad de detergente puede reducir la limpieza, es importante que trate con anterioridad las manchas, clasifique cuidadosamente por el color y nivel de suciedad, y evite la sobrecarga. El uso de detergente puede necesitar ser ajustado según la temperatura del agua, dureza del agua, y el tamaño y el nivel de suciedad de la carga. Para mejores resultados, evite usar demasiado detergente.

NOTA: El detergente líquido se drenará al tambor de la lavadora al ser añadido al dispensador.



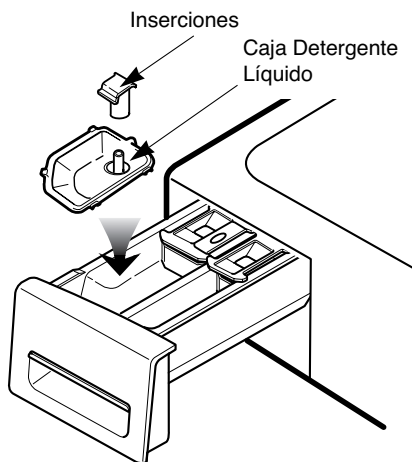
1. Compartimiento del Detergente para Prelavado

- Añada detergente a este compartimiento cuando use la opción de Prelavado. En este compartimiento se puede usar detergente tanto líquido como en polvo. El detergente será dispensado automáticamente durante el Prelavado si la función Prelavado es seleccionada.
- Añada la mitad de la cantidad recomendada de detergente en el compartimiento de Prelavado y la cantidad recomendada en el compartimiento de lavado principal.

NOTA: El detergente líquido se drenará al tambor de la lavadora al ser añadido al dispensador.

2. Compartimiento del Detergente para el Lavado Principal

- Añada el detergente medido a este compartimiento para el lavado Principal. El detergente es drenado del dispensador al comenzar el ciclo. Puede usarse tanto detergente líquido como en polvo.
- Puede añadirse blanqueador para telas de colores al compartimiento de Lavado Principal junto con el mismo tipo de detergente, líquido o en polvo.
- Cuando use detergente líquido, asegúrese de que estén insertados correctamente en su compartimiento. No rebase la línea de llenado máximo.
- Para detergente en polvo, remueva el compartimiento para detergente líquido.
- El detergente en polvo no debe mezclarse con detergente líquido en el mismo compartimiento.



3. Compartimiento para Blanqueador Líquido

- Añada el blanqueador líquido clorado en este compartimiento. El blanqueador será dispensado automáticamente a su debido tiempo durante el ciclo de lavado.
- No rebase la línea de llenado máximo. El sobrellenado puede causar que se vierta por adelantado el blanqueador, lo que puede resultar en prendas dañadas.
- No vierta blanqueador líquido clorado sin diluir directamente en el tambor o sobre la ropa. Puede ocurrir daño a las telas.
- No use blanqueador en polvo en este compartimiento.

4. Compartimiento del Suavizante para Telas


- Añada la cantidad recomendada de suavizante de telas a este compartimiento.
- Diluya suavizantes concentrados con agua tibia hasta llegar a la línea de llenado.
- No exceda la línea de llenado máximo. El sobrellenado puede causar derrames tempranos de suavizante, lo que puede resultar en prendas sucias.
- No vierta el suavizante de telas directamente sobre la carga de lavado.
- El suavizante de telas será distribuido automáticamente durante el último ciclo de enjuague.

NOTA: No coloque, guarde o derrame productos de lavado (jabón, detergente, blanqueador, suavizante, etc.) en la parte superior de su lavadora o secadora. Estos productos pueden dañar el terminado o los controles si se deja por mucho tiempo ahí.

Función

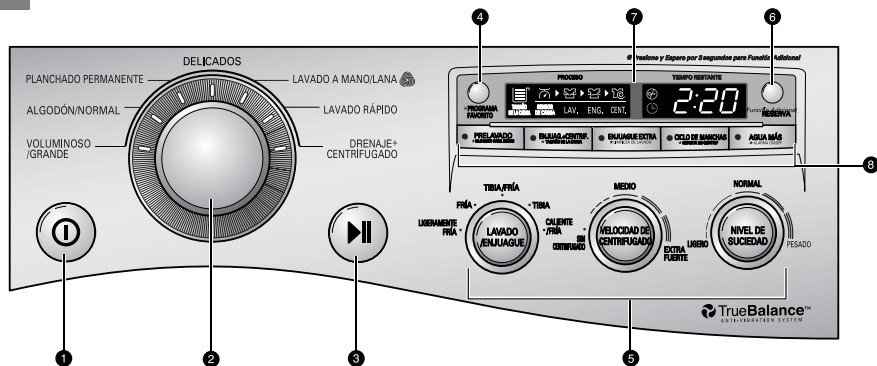
■ Usted puede seleccionar ciclos diseñados para diferentes tipos de telas y niveles de suciedad.

CARGAS RECOMENDADAS

Ciclo	Tipo de Tegido	Temp. Lavado/ Enjuague	Velocidad de centrifugado	Nivel de suciedad	Pre- lavado	Enjuag.+ Centrif.	Enjuague Extra	Ciclo de Manchas	Agua Más	Carga máxima
VOLUMINOSO/ GRANDE	Prendas grandes tales como mantas y edredones	Tibia/Fría	Bajo (---)	Normal						Menos de 8,0 kg
		Tibia/Tibia Caliente/Fría Ligeramente Fría/Fría Fría/Fría	Medio (—) Sin centrifugado (●)	Pesado Ligero	●	●	●	●	●	
ALGODÓN/ NORMAL	Algodón, lino, toallas, camisas, vaqueros, jeans, cargas mixtas	Tibia/Fría	Fuerte (==)	Normal						Menos de 16,0 kg
		Tibia/Tibia Caliente/Fría Ligeramente Fría/Fría Fría/Fría	Extra fuerte (≡) Sin centrifugado (●) Bajo (---) Medio (—)	Pesado Ligero	●	●	●	●	●	
PLANCHADO PERMANENTE	Camisas de etiqueta/ pantalones, ropa antiarrugas, ropas de mezcla poliéster/ algodón, manteles	Tibia/Fría	Medio (—)	Normal						Menos de 8,0 kg
		Tibia/Tibia Caliente/Fría Ligeramente Fría/Fría Fría/Fría	Fuerte (==) Sin centrifugado (●) Bajo (---)	Pesado Ligero	●	●	●	●	●	
DELICADOS	Camisas de etiqueta/ blusas, prendas de nylon, muy finas o de encaje	Fría/Fría	Medio (—)	Normal						Menos de 4,0 kg
		Tibia/Fría Tibia/Tibia Ligeramente Fría/Fría	Sin centrifugado (●) Bajo (---)	Pesado Ligero	●	●	●			
LAVADO A MANO/ LANA 	Prendas etiquetadas como "lavables a mano (hand- washable)"	Tibia/Fría	Bajo (---)	Normal						Menos de 3,5 kg
		Tibia/Tibia Ligeramente Fría/Fría Fría/Fría	Sin centrifugado (●)	Ligero		●	●			
LAVADO RÁPIDO	Ropa ligeramente sucia y cargas	Caliente/Fría	Extra fuerte (≡)	Normal						Menos de 2,0 kg
		Ligeramente Fría/Fría Fría/Fría Tibia/Fría Tibia/Tibia	Sin centrifugado (●) Bajo (---) Medio (—) Fuerte (==)	Pesado Ligero		●	●			
DRENAJE + CENTRIFUGADO	Drenaje, giro solanmente		Fuerte (==)							-
			Extra fuerte (≡) Sin centrifugado (●) Bajo (---) Medio (—)							

NOTA: Para proteger sus prendas de vestir, el ajuste de temperaturas en lavado/enjuagado, centrifugado, nivel de manchado y otras opciones están disponibles en cada ciclo.

Cómo utilizar la lavadora



1. BOTÓN DE ENCENDIDO/APAGADO

Apriete el botón para ENCENDER la lavadora. Apriete nuevamente para APAGAR la lavadora.

NOTA: Apretar el botón de ENCENDIDO/APAGADO durante un ciclo cancelará ese ciclo y borrará cualquier programación de carga.

2. PERILLA SELECTORA DE CICLOS

Gire esta perilla para seleccionar el ciclo deseado. Una vez que se haya seleccionado el ciclo deseado, los preajustes estándar se mostrarán en la pantalla. Se pueden programar estos ajustes usando los botones de programación de ciclos en cualquier momento antes del inicio.

3. BOTÓN DE INICIO/PAUSA

Apriete el botón para INICIO el ciclo seleccionado. Si la lavadora está funcionando, utilice este botón para PAUSA el ciclo sin perder la programación actual.

NOTA: Si no aprieta el botón de INICIO/PAUSA en un plazo de 4 minutos después de seleccionar un ciclo, la lavadora se apagará automáticamente.

4. BOTÓN DEL PROGRAMA FAVORITO

Presione el botón PROGRAMA FAVORITO para grabar y poder usar nuevamente un ciclo de lavado personalizado.

Puede grabar el Ciclo, la Temperatura de Lavado/Enjuague, la velocidad de centrifugado y ajustes del Nivel de Suciedad, como también otras opciones de ciclos.

5. BOTONES DE CONFIGURACIÓN DE CICLO

Utilice estos botones para seleccionar las opciones de ciclo deseadas para el ciclo seleccionado. Las opciones actuales se muestran en la pantalla. Apriete el botón para ver esa opción y seleccionar otros ajustes.

6. BOTÓN DE RESERVA

Apriete el botón de RESERVA para Reservar el inicio del ciclo de lavado. Cada vez que se aprieta este botón se aumenta el tiempo de Reserva en lapsos de 1 hora, hasta 19 horas.

7. PANTALLA LED

La pantalla muestra los ajustes, el tiempo restante estimado, las opciones y los mensajes de estado correspondientes a su lavadora.

La luz en la pantalla permanecerá encendida durante el ciclo.

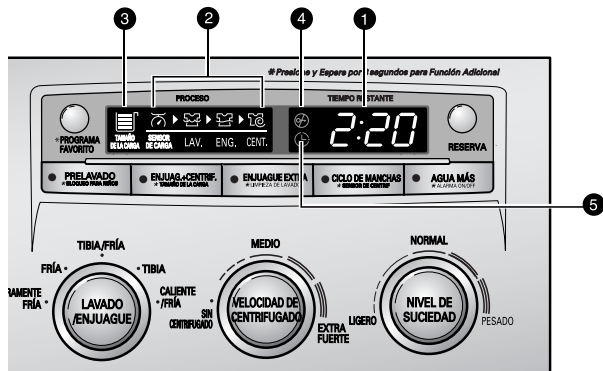
8. BOTONES DE OPCIONES

Los botones de opciones le permiten seleccionar opciones adicionales de ciclo y se encenderán cuando se seleccionan. Ciertos botones también le permitirán activar funciones especiales apretando y manteniendo apretado el botón por 3 segundos. Para obtener información detallada sobre las opciones individuales, consulte las siguientes páginas.

Cómo utilizar la lavadora

LA PANTALLA DE HORA Y ESTADO

La pantalla de hora y estado muestra el progreso del ciclo y el tiempo restante estimado, opciones de ciclos y otros mensajes del estado actual de su lavadora.



1. TIEMPO RESTANTE ESTIMADO

Cuando se aprieta el botón INICIO/PAUSA, la lavadora detecta automáticamente la carga de lavado (peso) y optimiza el tiempo de lavado, en base al ciclo y las opciones seleccionadas. Luego la pantalla indicará el tiempo restante estimado para dicho ciclo.

NOTA: El tiempo de ciclo mostrado puede mostrarse mucho más largo que el de una lavadora de carga superior. El tiempo mostrado corresponde al ciclo completo, y no solo la porción de agitación del ciclo, como se muestra típicamente en una lavadora de carga superior.

2. INDICADOR DE COMPLETACIÓN DE CICLO

Esta parte de la pantalla muestra qué etapa del ciclo de lavado se está realizando actualmente (SENSOR DE CARGA, LAVADO, ENJUAGUE o GIRO).

3. SENSOR AUTOMÁTICO DEL TAMAÑO DE LA CARGA

Al comenzar el ciclo, la lavadora vuelca la carga y detecta el peso de la ropa. La pantalla indicará el tamaño de carga aproximado en la pantalla de TAMAÑO DE LA CARGA. Esto le permite ajustar la cantidad de detergente y otros aditivos para obtener mayor eficacia y mejores resultados.

4. INDICADOR DE SEGURO DE LA COMPUERTA

Indica que la compuerta está asegurada. La compuerta de la lavadora se asegurará mientras la lavadora se encuentra funcionando. Se puede liberar la compuerta apretando el botón INICIO/PAUSA ubicado en la parte superior de la lavadora.

NOTE: Si la temperatura en la lavadora es demasiado alta, no se podrá liberar la compuerta hasta que se haya enfriado la lavadora. Si el nivel de agua es demasiado alto, seleccione el ciclo DRAIN & SPIN (drenaje y centrifugado) para drenar el exceso de agua. No intente forzar la apertura de la compuerta.

5. INDICADOR DE RESERVA

Este indicador muestra que la lavadora ha sido programada para un CENTRIFUGADO. La lavadora comenzará a funcionar automáticamente después de que se ha completado el tiempo de espera fijado.

Cómo utilizar la lavadora

FUNCIONAMIENTO DE LA LAVADORA

Una vez que ha cargado la lavadora y añadido los productos de lavado (detergente, blanqueador y/o suavizante):

- 1 Apriete el botón de ENCENDIDO/APAGADO



para encender la lavadora. Las luces alrededor de la perilla selectora de ciclos se iluminarán.

- 2 Gire la perilla selectora al ciclo deseado.



La pantalla mostrará el preajuste programado de TEMPERATURA DE LAVADO/ENJUAGUE, VELOCIDAD DE CENTRIFUGADO, NIVEL DE SUCIEDAD, y OPCIÓN para ese ciclo.

- 3 Si desea cambiar los ajustes para ese ciclo, apriete el(los) botón(es) para mostrar ajustes adicionales para esa opción. Apriete el botón nuevamente para alternar entre los ajustes hasta que se haya resaltado el deseado.



NOTA: Para proteger sus prendas de vestir, no todas las temperaturas de lavado/enjuague, velocidades de centrifugado, niveles de suciedad u opciones están disponibles en cada ciclo.

- 4 Seleccione cualquier opción(es) de ciclo adicional(es), tales como PROGRAMA FAVORITO, RESERVA, ENJUAGUE EXTRA o CICLO DE MANCHAS, apretando el botón para tal opción.



NOTA: Para proteger sus prendas de vestir, no todas las temperaturas de lavado/enjuague, velocidades de centrifugado, niveles de suciedad u opciones están disponibles en cada ciclo.

- 5 Apriete el botón de INICIO/PAUSA para iniciar el ciclo. La compuerta se asegurará, la pantalla cambiará, y la lavadora calculará el tiempo restante estimado. Una vez que la lavadora haya calculado el tiempo de ciclo total estimado, comenzará a trabajar. Para pausar el ciclo en cualquier momento, apriete PAUSA.



NOTA: El tiempo de ciclo mostrado puede mostrarse mucho más largo que el de una lavadora de carga superior.

El tiempo mostrado corresponde al ciclo completo, no solo la porción de agitación del ciclo, como se muestra típicamente en una lavadora de carga superior.

NOTA: Si la temperatura en la lavadora es demasiado alta, no se podrá liberar la compuerta hasta que se haya enfriado la lavadora. Si el nivel de agua es demasiado alto, seleccione el ciclo DRENAJE Y CENTRIFUGADO para drenar el exceso de agua. No intente forzar la apertura de la compuerta.

Se puede reducir significativamente el tiempo de lavado para cargas pequeñas o poco sucias seleccionando el ciclo de LAVADO RÁPIDO y programando el botón de NIVEL DE SUCIEDAD a LIGERO.

- 6 Cuando se ha terminado la carga, la alarma (de haberse programado) sonará y se desasegurará la compuerta. Quite las prendas húmedas fuera de la lavadora inmediatamente. Revise debajo del sello de la compuerta observando que no haya artículos pequeños.

Cómo utilizar la lavadora

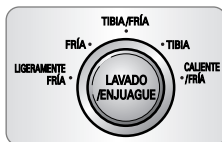
BOTONES DE AJUSTE DE CICLO

Cada ciclo tiene ajustes preprogramables que se seleccionan automáticamente. También puede personalizar los ajustes utilizando los botones de programación de ciclos. Presione el botón para dicho ajuste hasta que la luz que indica el valor deseado se encienda.

La lavadora ajusta automáticamente el nivel de agua según el tipo y tamaño de la carga de lavado para proporcionar los mejores resultados y eficiencia máxima. Puede parecer que no hay agua dentro del tambor en algunos ciclos, pero esto es normal.

NOTA: Para proteger sus prendas de vestir, no todas las temperaturas de lavado/enjuague, velocidades de centrifugado, niveles de suciedad u opciones están disponibles en cada ciclo. Vea la Guía de ciclos para obtener más detalles.

LAVADO/ENJUAGUE



Selecciona la combinación de temperatura de lavado y enjuague para el ciclo seleccionado. Apriete el botón LAVADO/ENJUAGUE

hasta que la luz que indica el ajuste deseado se encienda.

- Selección de la temperatura de agua adecuada para el tipo de carga que se encuentra lavando. Siga las instrucciones de la etiqueta de mantenimiento de la tela para obtener los mejores resultados.
- Los enjuagues tibios se regulan en aproximadamente 86°F (30°C)
- Los enjuagues calientes dejan las cargas más secas que los fríos. Los enjuagues calientes pueden aumentar las arrugas.
- En climas fríos, un enjuague caliente permite mayor comodidad en la manipulación de la carga.
- Los enjuagues fríos ahorran energía, y la temperatura del enjuague depende del agua fría de la canilla.

VELOCIDAD DE CENTRIFUGADO



El tambor de la lavadora centrifuga a 1 100 r/min. Esto extrae mayor cantidad de agua de la ropa, reduce el ciclo de secado y ahorra energía.

Apriete el botón VELOCIDAD DE CENTRIFUGADO until the indicator light for the desired setting is lit. Algunas telas, como las delicadas, requieren una velocidad de centrifugado más lenta.

El ciclo de DRENAJE Y CENTRIFUGADO:

El botón de VELOCIDAD DE CENTRIFUGADO también activa el ciclo de DRENAJE Y CENTRIFUGADO para drenar el lavado y centrifugar las prendas; por ejemplo, si desea sacar las prendas antes de que el ciclo haya terminado.

Para activar el ciclo DRENAJE Y CENTRIFUGADO:

- 1 Apriete el botón ENCENDIDO/APAGADO para encender la lavadora.
- 2 Apriete el botón VELOCIDAD DE CENTRIFUGADO.
- 3 Seleccione la velocidad de centrifugado deseada.
NOTA: Si se ha seleccionado SIN CENTRIFUGADO, la lavadora únicamente drenará.
- 4 Apriete el botón INICIO/PAUSA.

NIVEL DE SUCIEDAD



Ajusta el ciclo seleccionado para permitir más tiempo de lavado para prendas muy sucias o menos tiempo para prendas levemente sucias. Presione el botón

NIVEL DE SUCIEDAD hasta que la luz que indica el ajuste deseado se encienda.

Cómo utilizar la lavadora

PROGRAMA FAVORITO



El PROGRAMA FAVORITO le permite guardar un ciclo de lavado personalizado para volver a usarlo. Le permite grabar la temperatura, velocidad de centrifugado, nivel de suciedad y otras opciones según usted desee para un ciclo, y luego volver a usarlo con sólo presionar un botón.

Para almacenar un Programa Favorito:

- 1 Seleccione un ciclo.
- 2 Ajuste la Temperatura de Lavado/Enjuague, velocidad de centrifugado y Nivel de Suciedad en la configuración deseada.
- 3 Ajuste cualquier otra opción deseada.
- 4 Presione y sostenga el botón PROGRAMA FAVORITO durante 3 segundos. Escuchará dos pitidos que confirmarán que los ajustes fueron almacenados.

IMPORTANTE: Si presiona y sostiene el botón PROGRAMA FAVORITO durante 3 segundos, sobrescribirá cualquier PROGRAMA FAVORITO que haya almacenado previamente.

Para volver a usar un Programa Favorito:

- 1 Presione y suelte el botón PROGRAMA FAVORITO. Visualizará los ajustes almacenados.
- 2 Presione y suelte el botón INICIO/PAUSA para comenzar el ciclo. La lavadora comenzará automáticamente.

SENSOR AUTOMÁTICO DE TAMAÑO DE LA CARGA



Al comenzar el ciclo, la lavadora vuelca la carga y detecta el peso de la ropa. La pantalla indicará el tamaño de carga aproximado en la pantalla de TAMAÑO DE LA CARGA. Esto le permite ajustar la cantidad de detergente y otros aditivos para obtener mayor eficacia y mejores resultados.

La pantalla de TAMAÑO DE LA CARGA:

Ejemplo 1: Si la máquina detecta un tamaño de carga pequeño, la pantalla puede mostrar una barra iluminada. En este ejemplo, una cantidad pequeña de detergente debe ser usado, ya que la cantidad de la ropa y la cantidad de agua son pequeñas.



Cantidad recomendada para esta carga



Cantidad recomendada por el fabricante de detergente para una carga grande

Ejemplo 2: Si la máquina detecta un tamaño de carga grande, la pantalla puede mostrar cuatro barras iluminadas. En este ejemplo, aumente la cantidad de detergente, ya que la cantidad de la ropa y la cantidad de agua son más grandes.



Cantidad recomendada para esta carga



Cantidad recomendada por el fabricante de detergente para una carga grande

NOTA: Debido a que el máquina utilice una cantidad muy pequeña de agua, aun para cargas grandes, tenga cuidado para determinar la cantidad de detergente usado. Cargas normales requiere la mitad de la cantidad recomendada por el fabricante del detergente, porque la cantidad de agua usado es pequeña. Esta eficacia ahorra detergente, porque el detergente es usado en una manera concentrada. Si la carga de ropa se encuentra demasiado sucia, la cantidad de detergente usado se debería incrementar para eliminación del suciedad. No sobrepase la cantidad recomendada!

Para usar el Sensor Automático de Tamaño de la Carga:

- 1 Cargue la lavadora, seleccione el ciclo y opciones que desee y luego comience el ciclo presionando el botón INICIO/PAUSA.
- 2 La lavadora volcará la carga por un momento para detectar su tamaño. Luego de detectar el tamaño de carga, la lavadora mostrará el tamaño detectado en la pantalla de TAMAÑO DE LA CARGA durante 10 segundos antes de continuar con el ciclo.
- 3 Durante el retraso de 10 segundo en el paso tres, presione el botón INICIO/PAUSA para detener el ciclo.
- 4 Llene los compartimientos de detergente y aditivos del cajón de detergente con cantidades de los mismos en relación al tamaño de carga que la máquina detectó. Para seguir estas pautas de tamaño de carga puede ahorrar el detergente.
- 5 Presione el botón INICIO/PAUSA otra vez para reanudar el ciclo.

Para controlar el tamaño de carga durante la parte del lavado en el ciclo, presione y sostenga el botón ENJUAG.+CENTRIF. durante 3 segundos. La pantalla de TAMAÑO DE LA CARGA se activará por 10 segundos.

NOTA: La rutina de detección de carga sólo funciona con ropa seca. Debido a que el sistema de detección se encuentra detectando el PESO de la carga, éste se verá afectado por artículos atípicamente pesados en la carga. Por ejemplo, una prenda que ya está mojada y que se carga junto con las otras prendas hará que la lectura del TAMAÑO DE LA CARGA sea inexacta.

Si no desea aprovechar las ventajas de la función de detección del tamaño de carga, simplemente cargue la cantidad deseada de detergentes y aditivos en el contenedor y encienda la lavadora del modo usual.

Cómo utilizar la lavadora

BOTONES DE OPCIÓN DE CICLO


Su lavadora dispone de varias opciones de ciclo adicionales, las cuales personalizan los ciclos para cumplir con sus necesidades individuales. Ciertos botones de opción también incorporan una función especial (vea la siguiente página para obtener mayor información) que puede activarse apretando y manteniendo apretado ese botón de opción por 3 segundos.

Para añadir opciones de ciclo al ciclo:


- 1 Encienda la lavadora y gire la perilla selectora de ciclos para seleccionar el ciclo deseado.
- 2 Use los botones de programación de ciclo para fijar los ajustes para ese ciclo.
- 3 Apriete el(los) botón(es) de opción de ciclo para la opción que desea añadir. Los botones de opción de ciclo, a excepción de RESERVA, se encenderán cuando se seleccionan.
- 4 Apriete el botón INICIO/PAUSA para iniciar el ciclo. La lavadora se iniciará automáticamente.

NOTA: Para proteger sus prendas de vestir, no todas las temperaturas de lavado/enjuague, velocidades de centrifugado, niveles de suciedad u opciones están disponibles en cada ciclo. Vea la Guía de ciclos para obtener más detalles.

RESERVA

 Una vez que haya seleccionado el ciclo y otros ajustes, apriete este botón para demorar el inicio del ciclo de lavado. Cada vez que se aprieta este botón se aumenta el tiempo de demora en lapsos de 1 hora, hasta 19 horas.

PRELAVADO

 Seleccione esta opción para añadir un prelavado de 16 minutos y un ciclo de centrifugado al ciclo escogido. Esta opción es especialmente útil para artículos muy sucios.

ENJUAG.+CENTRIF.



Seleccione esta opción para enjuagar y centrifugar una carga separadamente de un ciclo regular. Esto puede ser útil para prevenir que manchas frescas permanezcan en las telas.

Para activar el ciclo ENJUAG.+CENTRIF.:

- 1 Apriete el botón ENCENDIDO/APAGADO para encender la lavadora.
- 2 Apriete el botón ENJUAG.+CENTRIF.
- 3 Apriete el botón INICIO/PAUSA.

ENJUAGUE EXTRA



Esta opción añadirá un ciclo de ENJUAGUE EXTRA al ciclo seleccionado. Use esta opción para ayudar a asegurar la eliminación de residuos de detergente o blanqueador de las telas.

CICLO DE MANCHAS



Seleccione esta opción para prendas muy sucias, tales como prendas de juego o de trabajo. El Ciclo de manchas añadirá tiempo de lavado al ciclo seleccionado, así como un ciclo de enjuague adicional.

AGUA MÁS



Seleccione esta opción para añadir agua plus a los ciclos de lavado y enjuague para la obtención de resultados superiores, especialmente con artículos grandes o voluminosos.

Cómo utilizar la lavadora

FUNCIONES ESPECIALES

Los botones de función también activan funciones especiales, incluyendo SENSOR AUTOMÁTICO DE TAMAÑO DE LA CARGA, ALARMA ON/OFF, BLOQUEO PARA NIÑOS, LIMPIEZA DE LAVADO e SENSOR DE CENTRIF. Apriete y mantenga apretado el botón de opción marcado con la función especial por 3 segundos para activar.

SENSOR AUTOMÁTICO DE TAMAÑO DE LA CARGA



Al comenzar el ciclo, la lavadora vuelca la carga y detecta el peso de la ropa. La pantalla indicará el TAMAÑO DE LA CARGA aproximado en la pantalla de TAMAÑO DE LA CARGA. Esto le permite ajustar la cantidad de detergente y otros aditivos para obtener mayor eficacia y mejores resultados. Por detalles adicionales, vea la página 19.

BLOQUEO PARA NIÑOS



Use esta función para prevenir el uso no deseado de la lavadora o para impedir cambiar los ajustes de un ciclo mientras la lavadora se encuentra en funcionamiento. Apriete y mantenga apretado el botón de PRE-WASH (prelavado) por 3 segundos para activar o desactivar el BLOQUEO PARA NIÑOS.

Se mostrará el símbolo de BLOQUEO PARA NIÑOS en la pantalla, y todos los controles permanecerán desactivados. Se puede bloquear a la lavadora durante un ciclo. Cuando BLOQUEO PARA NIÑOS este seleccionado, la pantalla alterna entre CL y el tiempo restante.

LIMPIEZA DE LAVADO



Puede ocurrir la acumulación de residuos de detergente en el lavadero después de algún tiempo, lo que puede causar un olor a humedad o moho. El ciclo LIMPIEZA DE LAVADO está especialmente diseñado para eliminar esta acumulación. Apriete y mantenga apretado el botón ENJUAGUE EXTRA por 3 segundos para activar este ciclo.

Después que haya terminado el ciclo, abra la compuerta y permita que el interior del tambor se seque completamente.

NOTA: NO use este ciclo con prendas, NI añada detergente o suavizante.

NOTA: Si utilice el ciclo LIMPIEZA DE LAVADO mensualmente, el tambor de lavado se mantendrá limpio.

SENSOR DE CENTRIF



SENSOR DE CENTRIF se puede utilizar para reducir o eliminar vibraciones, especialmente sobre instalaciones en pisos de madera.

Para activar SENSOR DE CENTRIF :

Mientras la lavadora está realizando un ciclo, presione y sostenga el botón Ciclo de manchas durante 3 segundos. La luz del de velocidad de centrifugado titilará mientras la lavadora está funcionando para mostrar que SENSOR DE CENTRIF está activo. La función SENSOR DE CENTRIF permanecerá activa durante cada ciclo, incluso si se produjera un corte de luz.

Para desactivar SENSOR DE CENTRIF :

Presione y sostenga el botón de Ciclo para manchas durante 3 segundos para apagar la función SENSOR DE CENTRIF.

ALARMA ON/OFF



Puede encender o apagar la alarma del fin del ciclo con el botón AGUA MÁS.

Presione y sostenga el botón AGUA MÁS durante 3 segundos para APAGAR la alarma. Presione y sistema el botón AGUA MÁS nuevamente durante 3 segundos para volver a encender la alarma.

LAVADO A MANO/LANA

- Sólo las prendas de lana marcadas como “apta para lavadora” deben lavarse en esta máquina.
- Lave sólo pequeñas cargas para un cuidado óptimo de las telas (menos de 3,5 kilogramos).
- Sólo deben usarse detergentes neutrales (aptos para lana) (Sólo se necesita una pequeña cantidad de detergente debido al tamaño pequeño de carga y el bajo volumen de agua del ciclo).
- El ciclo LAVADO A MANO/LANA utiliza un secado delicado y un centrifugado de baja velocidad para un cuidado extremo de las telas.



El ciclo de lavado de lana de esta máquina ha sido aprobado por Woolmark para el lavado de productos Woolmark aptos para lavadoras siempre que tales productos se laven de acuerdo con las instrucciones de la etiqueta de la prenda y las emitidas por el fabricante de esta lavadora, M0807.

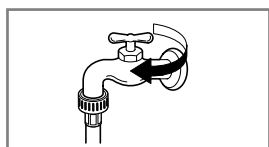
Mantenimiento

- * Retire las prendas de la lavadora tan pronto como termine el ciclo. En los artículos que quedan en la lavadora se puede desarrollar un exceso de arrugamiento, transferencia de color y olores.
- * Antes de limpiar el interior de la lavadora, desenchufe el cable de alimentación eléctrica para evitar riesgos de descarga eléctrica.
- * Cuando ya no utilice la lavadora, desconecte los cables principales y quite el conector. Deconecte el seguro de la puerta para evitar que niños pequeños se queden atrapados dentro de la lavadora.

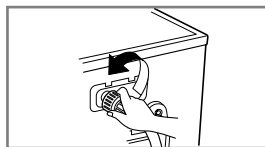
■ El filtro de entrada del agua

- El mensaje de error " ! E " parpadea en el panel de control porque no entra agua en el cajón del detergente.
- Si el agua es muy dura o contiene rastros de depósitos de cal, el filtro de entrada del agua se puede obstruir.

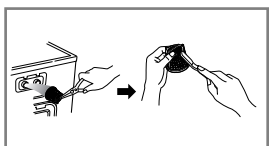
Por lo tanto, es buena idea limpiarlo de vez en cuando.



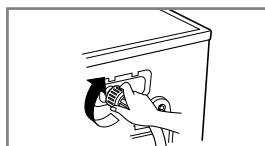
1. Cierre el grifo del agua.



2. Desatornille la manguera de entrada del agua.



3. Limpie el filtro utilizando un cepillo de cerdas duras.



4. Apriete la manguera de entrada.

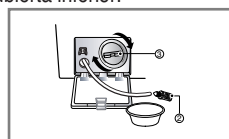
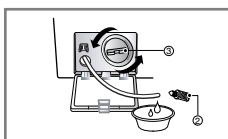
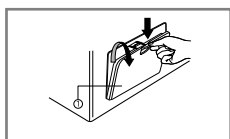
■ El filtro de la bomba de drenaje

- * El filtro de drenaje recoge los hilos y pequeños objetos que quedan en la coladera. Compruebe con regularidad que el filtro está limpio para garantizar un funcionamiento uniforme de su máquina.

▲ PRECAUCIÓN Primero utilice la Manguera de drenaje y después abra la bomba para eliminar aquello que pueda haberla detenido.

- * Permita que el agua se enfríe antes de limpiar el drenaje, permitiendo un drenado de emergencia o abriendo la puerta en una emergencia

1. Abra el tapón de la cubierta inferior (①) utilizando un dedo. Gire el tapón de drenaje (②) para sacar la manguera.
2. Desconecte el tapón de drenaje (②) dejando que el agua fluya hacia fuera. En este momento utilice un recipiente para impedir que el agua caiga al suelo. Si ya no sale agua, gire el filtro de la bomba (③) a la izquierda hasta abrirlo totalmente.
3. Saque cualquier material extraño del filtro de la bomba (③). Después de la limpieza, gire el filtro de la bomba (③) en el sentido de las agujas del reloj e inserte el tapón de drenaje (②) en su lugar original. Cierre el tapón de la cubierta inferior.

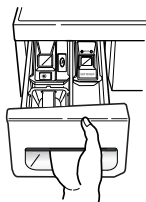


Mantenimiento

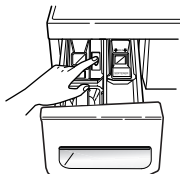
■ Limpieza del Dispensador

- El dispensador puede necesitar que lo limpien periódicamente debido a los residuos de los aditivos de lavandería.

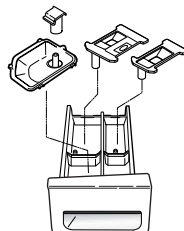
1 Jale el cajón dispensador fuera hasta que termine.



2 Presione abajo la lengüeta de la cerradura en el relleno del blanqueo. Quite el cajón.



3 Remueva la caja del detergente líquido, blanqueador y suavizante de sus compartimentos.



- Una vez retirado el contenedor de dos compartimentos del dispensador principal, llévalo a la tina de lavar. Deje correr agua tibia y limpie con un cepillo suave o trapo sobre las dos partes para eliminar cualquier resto de aditivos de lavandería.
- Limpie el área del dispensador principal usando agua y un trapo suave. Una vez que el dispensador principal esté limpio, siga las ilustraciones en orden inverso para colocar el contenedor de dos compartimentos en su lugar original.

NOTA: No use ninguna sustancia de limpieza en la apertura del cajón más que agua porque se drenará al tina. Si esto sucediera, ponga la lavadora a realizar un ciclo de enjuague y centrifugado para remover cualquier residuo de la sustancia limpiadora antes de lavar ropa.

■ El Tambor de lavado

- Si vives en una zona donde el nivel de dureza del agua es alto, se forma cal en zonas que nosotros no podemos ver y que no pueden ser eliminadas fácilmente. Con el tiempo, es necesaria una revisión periódica, debido a que el cúmulo de cal puede dañar el tambor y éste deberá ser sustituido.
- Aunque el tambor esté hecho de acero inoxidable, pueden aparecer manchas de óxido causadas por pequeños artículos de metal (clips, prendedores) que se hayan caído por descuido.
- El Tambor debe ser limpiado periódicamente.
- Si usa agentes desincrustantes, tintes ó lejías, asegúrese de que son los adecuados para el funcionamiento correcto de la lavadora.
- * Algunos agentes desincrustantes pueden tener componentes que dañen algunas partes de la lavadora.
- * Limpie las manchas del tambor con un detergente adecuado que no dañe la superficie.
- * No utilice nunca estropajo.

Mantenimiento

■ El inyector de la circulación del agua

- Limpie el inyector de la circulación del agua, si está estorbando.

■ Limpieza de su lavadora

1. Exterior

El cuidado adecuado de su lavadora puede ampliar su vida útil.

La parte exterior de la máquina se puede limpiar con agua templada y un detergente doméstico no abrasivo neutro.

Seque inmediatamente cualquier agua que se derrame. Límpiela con un trapo húmedo. Procure no dañar la superficie con objetos afilados.

* **IMPORTANTE:** No utilice alcohol etílico, diluyentes ni productos similares.

2. Interior

Seque alrededor de la abertura de la puerta de la lavadora, la junta flexible y el vidrio de la puerta.

Estas áreas deben estar siempre limpias para asegurar un sellado hermético.

LAVAR DE TONEL es un ciclo especial para limpiar el interior de la lavadora. Este ciclo utiliza un alto nivel de agua con una velocidad fuerte. Haciendo un ciclo normal.

• Para comenzar el ciclo:

1. Retire toda la ropa que se encuentre en el interior de la lavadora y cierre la puerta.

2. Abra el despachador de detergentes y agregue blanqueador a su compartimiento.

NOTA: No agregue detergente al compartimiento del detergente. Tenga cuidado si usted coloca demasiado puede ocasionar goteras dentro de la lavadora.

3. Cierre el despachador de detergente suavemente.

4. Encienda y después presione el botón Enjuague Extra (Extra Rinse) por 3 segundos.

(La opción del prelavado será seleccionar.)

5. Presione el botón de Iniciar/Pausa (Start/Pause).

6. Una vez que el ciclo concluyó, deje la puerta abierta y seque alrededor de la puerta, su puerta de vidrio.

▲ PRECAUCIÓN: Si hay algún niño pequeño, tenga cuidado de no dejar la puerta abierta.

NOTA: Remueva depósitos de agua dura usando únicamente productos que en la etiqueta digan que es seguro su uso en lavadoras.

■ Instrucciones de protección para el invierno

Si la lavadora se guarda en una zona en la que se puede producir congelación o se traslada a temperaturas de congelación, siga estas instrucciones de protección para el invierno, con el fin de evitar daños en la lavadora.

1. Cierre el grifo de suministro de agua.

2. Desconecte las mangueras del suministro de agua y vacíe el agua de las mangueras.

3. Enchufe el cable eléctrico en una toma eléctrica correctamente puesta a tierra.

4. Añada 3,8 l de anticongelante no tóxico de caravanas pequeñas para vaciar el tambor de la lavadora. Cierre la puerta.

5. Ajuste el ciclo de centrifugado y deje que la lavadora centrifugue durante 1 min para vaciar todo el agua. No se expulsará todo el anticongelante.

6. Desenchufe el cable de alimentación eléctrica, seque el interior del tambor y cierre la puerta.

7. Retire el contenedor de los compartimientos del Dispensador. Drene el agua que haya en los compartimientos y seque los compartimientos.

8. Guarde la lavadora en posición derecha.

9. Para quitar el anticongelante de la lavadora después de su almacenaje, haga funcionar la lavadora en vacío a través de un ciclo completo utilizando detergente. No añada carga de lavado.











G uía para la resolución de fallas

* Esta lavadora está equipada con funciones automáticas de seguridad que detectan y diagnostican averías en un estado inicial y que reaccionan de forma adecuada. Cuando la máquina no funciona correctamente o no funciona en absoluto, compruebe los puntos siguientes antes de llamar al Departamento de Servicio.

Síntoma	Posible causa	Solución
Ruido de traqueteo y chirridos	<ul style="list-style-type: none"> • Puede haber objetos extraños tales como monedas o clips en el tambor o en la bomba. 	<p>Pare la lavadora y revise el tambor y el filtro de drenaje.</p> <p>Si continua el ruido después de arrancar de nuevo la lavadora, llame a su agente de servicio autorizado.</p>
Sonido retumbante	<ul style="list-style-type: none"> • Las cargas de lavado pesadas pueden producir un sonido retumbante. Esto generalmente es normal. 	<p>Si el sonido continúa, la lavadora probablemente está desequilibrada. Párela y distribuya la carga de lavado.</p>
Ruido de vibraciones	<ul style="list-style-type: none"> • Ha quitado todos los tornillos de transporte y el embalaje? • Carga de lavado distribuida de manera no uniforme en el tambor. • Descansan firmemente todas las patas en el suelo? 	<p>Si no se han quitado durante la instalación. Véase la sección sobre la instalación para quitar los tornillos de transporte.</p> <p>Pare la lavadora y redistribuya la carga de lavado.</p> <p>Ajuste las patas.</p> <p>Asegúrese que las cuatro patas estén en firme contacto con el suelo, mientras que la lavadora está en ciclo de la giro con la carga.</p>
Fugas de agua	<ul style="list-style-type: none"> • La conexión de la manguera de llenado está floja en el grifo o en la lavadora. • Las tuberías de desagüe de la casa están obstruidas. 	<p>Compruebe y apriete las conexiones de la manguera.</p> <p>Desobstruya la tubería de drenaje. Póngase en contacto con un fontanero si es necesario.</p>
Exceso de agua jabonosa		<p>Demasiado detergente o detergente inapropiado? La formación de espuma puede provocar fugas de agua.</p>
No entra agua en la lavadora o entra despacio	<ul style="list-style-type: none"> • El suministro de agua no es adecuado en la zona. • El grifo de suministro del agua no está completamente abierto. • La manguera de entrada del agua está retorcida • El filtro de la manguera de entrada está obstruido. 	<p>Pruebe con otro grifo de la casa.</p> <p>Grifo completamente abierto.</p> <p>Enderece la manguera.</p> <p>Compruebe el filtro de la manguera de entrada.</p>
El agua de la lavadora no se vacía o se vacía lentamente.	<ul style="list-style-type: none"> • La manguera de drenaje está retorcida u obstruida. • El filtro de drenaje está obstruido. 	<p>Limpie y enderece la manguera de drenaje.</p> <p>Limpie el filtro de drenaje.</p>

Síntoma	Posible causa	Solución
La lavadora no arranca	<ul style="list-style-type: none"> • El cable de alimentación eléctrica quizás no esté enchufado o la conexión puede estar floja. • Fusible de la casa fundido, disyuntor disparado o se ha producido un corte en el suministro eléctrico. • El grifo del suministro del agua no está abierto. 	<p>Asegúrese de que el enchufe ajusta correctamente en la toma de corriente.</p> <p>Reinicie el disyuntor o sustituya el fusible. No aumente la capacidad del fusible. Si el problema es una sobrecarga del circuito, haga que lo corrija un electricista calificado.</p> <p>Abra el grifo de suministro del agua.</p>
La lavadora no centrifuga	<ul style="list-style-type: none"> * Compruebe que la puerta está firmemente cerrada. 	<p>Cierre la puerta y pulse el botón Inicio/Pausa. Después de pulsar el botón Inicio/Pausa, puede pasar cierto tiempo antes de que la lavadora comience a centrifugar. La puerta se debe bloquear antes de que se pueda conseguir el centrifugado.</p>
Retardo del tiempo de ciclo de lavado	<p>El tiempo de lavado puede variar debido a la cantidad de ropa, la presión del grifo del agua, la temperatura del agua y otras condiciones de uso.</p>	<p>Si se detecta un desequilibrio o si funciona el programa de eliminación de agua jabonosa, el tiempo de lavado aumentará por encima del tiempo previsto.</p>

G uía para la resolución de fallas

Síntoma	Posible causa	Solución
	<ul style="list-style-type: none"> • El suministro de agua no es adecuado en la zona. • Los grifos de suministro de agua no están completamente abiertos. • La manguera de entrada de agua está retorcida. • El filtro de la manguera de entrada está obstruido. 	<p>Pruebe con otro grifo de la casa.</p> <p>Abra completamente el grifo.</p> <p>Enderece la manguera.</p> <p>Compruebe el filtro de la manguera de entrada.</p>
	<ul style="list-style-type: none"> • La manguera de drenaje está retorcida u obstruida. • El filtro de drenaje está obstruido. 	<p>Limpie y enderece la manguera de drenaje.</p> <p>Limpie el filtro de drenaje.</p>
	<ul style="list-style-type: none"> • La carga es demasiado pequeña. • La carga está desequilibrada. • El aparato posee un sistema de detección y corrección de desequilibrios. Si se cargan artículos individuales pesados (alfombrillas de baño, etc.) este sistema puede detener el centrifugado o incluso interrumpir el ciclo de centrifugado conjuntamente si el desequilibrio es demasiado grande incluso después de que comiencen varios centrifugados. • Si la ropa está aún demasiado húmeda al final del ciclo, añada artículos más pequeños de ropa a lavar para equilibrar la carga y repita el ciclo de centrifugado. 	<p>Añada 1 o 2 artículos similares para contribuir a equilibrar la carga.</p> <p>Redistribuya la carga para conseguir un centrifugado adecuado.</p>
 	<ul style="list-style-type: none"> • Está abierta la puerta? 	<p>Cierre la puerta.</p> <p>Si no desaparece "dE", llame al servicio técnico.</p>
		<p>Desenchufe el cable de alimentación y llame al servicio técnico.</p>
	<ul style="list-style-type: none"> • Si hay un exceso de agua debido a una válvula de agua defectuosa, obtendrá "FE" en la pantalla. 	<p>Cierre el grifo del agua .</p> <p>Desconecte el enchufe de toma de corriente.</p>
	<ul style="list-style-type: none"> • Aparece "PE" si hay un fallo de funcionamiento del sensor del nivel del agua. 	<p>Llame al servicio técnico</p>
	<ul style="list-style-type: none"> • Sobrecarga en el motor. 	
	<ul style="list-style-type: none"> • La lavadora estuvo sometida a una falta de alimentación eléctrica. 	

