

Model	VC49**AKD		
Language	English+Arabic		
Page	45	Color(cover/body)	2/2
Material	Weight 100g	Size(W*H)	190×260(mm)
Date	2010.01.15	Designer	QIAOLIANG
Part No.	MFL62558826	Description	Owner's Manual

### Chage Record

No.	Change content	ECO No.	Date	Designer	Confirm
①					
②					
③					
④					
⑤					
⑥					
⑦					
⑧					
⑨					



# OWNER'S MANUAL

**VC4916\*\***

**VC4918\*\***

**VC4920\*\***

## New Type Cyclone Vacuum Cleaner

This information contains important instructions for the safe use and maintenance of the vacuum cleaner.  
Especially, please read all of the information on page 4,5 for your safety.  
Please keep this manual in an easily accessible place and refer to it anytime.

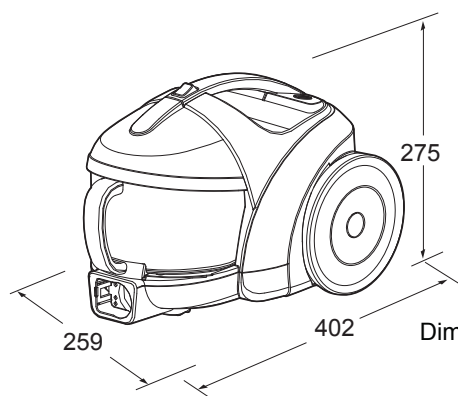




# Table of contents

<b>Specifications</b> .....	3
<b>Important safety instructions</b> .....	4~5
<b>How to use</b> .....	6
Assembling vacuum cleaner .....	6~8
Operating vacuum cleaner .....	10~11
Using carpet and floor nozzle .....	12~13
Using All Floor nozzle and mini turbine nozzle .....	14
Using accessory nozzles .....	15~16
Emptying dust tank .....	17
Cleaning dust tank .....	18
Cleaning air filter and motor safety filter .....	19
Cleaning exhaust filter .....	20
<b>What to do if your vacuum cleaner does not work?</b> .....	21
<b>What to do when suction performance decreases?</b> .....	21

## Specifications



Dimension: 402(mm) x 259(mm) x 275(mm)=L x W x H

# IMPORTANT SAFETY INSTRUCTIONS

Read and follow all instructions before using your vacuum cleaner to prevent the risk of fire, electric shock, personal injury, or damage when using the vacuum cleaner. This guide does not cover all possible conditions that may occur. Always contact your service agent or manufacturer about problems that you do not understand. This appliance complies with the following EC Directives: -2006/95/EC Low Voltage Directive-2004/108/EC EMC Directive



This is the safety alert symbol.

This symbol alerts you to potential hazards that can kill or hurt you and others.

All safety messages will follow the safety alert symbol and either the word "WARNING" or "CAUTION."

These words mean:



**WARNING**

This symbol will alert you to hazards or unsafe practices which could cause serious bodily harm or death.



**CAUTION**

This symbol will alert you to hazards or unsafe practices which could cause bodily injury or property damage.



**WARNING**

- **Disconnect electrical supply before servicing or cleaning the unit or when cleaner is not in use.**  
Failure to do so could result in electrical shock or personal injury.
- **Do not use vacuum cleaner to pick up anything that is burning or smoking such as cigarettes, or hot ashes.**  
Doing so could result in death, fire or electrical shock.
- **Do not vacuum flammable or explosive substances such as gasoline, benzene, thinners, propane (liquids or gases).**  
The fumes from these substances can create a fire hazard or explosion. Doing so could result in death or personal injury.
- **Do not handle plug or vacuum cleaner with wet hands.**  
Doing so could result in death or electrical shock.
- **Do not unplug by pulling on cord.**  
Doing so could result in product damage or electrical shock. To unplug, grasp the plug, not the cord.
- **Keep hair, loose clothing, fingers, and all parts of the body away from openings and moving parts.**  
Failure to do so could result in electrical shock or personal injury.
- **Do not pull or carry by cord, use cord as a handle, close a door on cord, or pull cord around sharp edges or corners. Do not run vacuum cleaner over cord. Keep cord away from heated surfaces.**  
Failure to do so could result in electrical shock or personal injury or fire or product damage.
- **Do not allow to be used as toy. Close attention is necessary when used by or near children.**  
Personal injury or product damage could result.
- **Do not use the vacuum cleaner if the power cord or plug is damaged or faulty.**  
If the power cord is damaged, it must be replaced by an approved LG Electronics Service Agent to avoid a hazard.
- **Do not use vacuum cleaner if it has been under water.**  
Personal injury or product damage could result. In these cases, contact LG Electronics Service Agent to avoid hazard.
- **Do not continue to vacuum if any parts appear missing or damaged.**  
Personal injury or product damage could result. In these cases, contact LG Electronics Service Agent to avoid hazard.
- **Do not use an extension cord with this vacuum cleaner**  
Fire hazard or product damage could result.
- **Using proper voltage.**  
Using improper voltage may result in damage to the motor and possible injury to the user. Proper voltage is listed on the bottom of vacuum cleaner.
- **Turn off all controls before unplugging.**  
Failure to do so could result in electrical shock or personal injury.
- **Do not change the plug in any way.**  
Failure to do so could result in electrical shock or personal injury or product damage. Doing so result in death. If plug does not fit, contact a qualified electrician to install the proper outlet.
- **Repairs to electrical appliances may only be performed by qualified service engineers.**  
Improper repairs may lead to serious hazards for the user.
- **Do not plug in if control knob is not in OFF position.**  
Personal injury or product damage could result. (Depending on model)
- **Keep children away and beware of obstructions when rewinding the cord to prevent personal injury**  
The cord moves rapidly when rewinding. (Depending on model)
- **The hose contains electrical wires. Do not use it if it is damaged, cut or punctured.**  
Failure to do so could result in death, or electrical shock. (Depending on model)

# IMPORTANT SAFETY INSTRUCTIONS

## CAUTION

- **Do not put any objects into openings.**  
Failure to do so could result in product damage.
- **Do not use with any opening blocked: keep free of dust, lint, hair, and anything that may reduce air flow.**  
Failure to do so could result in product damage.
- **Do not use vacuum cleaner without dust tank and/or filters in place.**  
Failure to do so could result in product damage.
- **Do not use vacuum cleaner to pick up sharp hard objects, small toys, pins, paper clips, etc.**  
They may damage the cleaner or dust bin.
- **Store the vacuum cleaner indoors.**  
Put the vacuum cleaner away after use to prevent tripping over it.
- **This appliance is not intended for use by persons (including children) with reduced physical, sensory or mental capabilities, or lack of experience and knowledge, unless they have been given supervision or instruction concerning use of the appliance by a person responsible for their safety.**  
Children should be supervised to ensure that they do not play with the appliance.
- **Only use parts produced or recommended by LG Electronics Service Agents.**  
Failure to do so could result in product damage.
- **Use only as described in this manual. Use only with LG recommended or approved attachments and accessories.**  
Failure to do so could result in personal injury or product damage.
- **To avoid personal injury and to prevent the machine from falling when cleaning stairs, always place it at the bottom of stairs.**  
Failure to do so could result in personal injury or product damage.
- **Use accessory nozzles in sofa mode.**  
Failure to do so could result in product damage.
- **Make sure the filters (exhaust filter and motor safety filter) are completely dry before replacing in the machine.**  
Failure to do so could result in product damage.
- **Do not dry the filter in an oven or microwave.**  
Failure to do so could result in fire hazard.
- **Do not dry the filter in a clothes dryer.**  
Failure to do so could result in fire hazard.
- **Do not dry near an open flame.**  
Failure to do so could result in fire hazard.
- **Always clean the dust bin after vacuuming carpet cleaners or fresheners, powders and fine dust.**  
These products clog the filters, reduce airflow and can cause damage to the cleaner. Failure to clean the dust bin could cause permanent damage to the cleaner. (Depending on model)
- **Don't grasp the tank handle when you are moving the vacuum cleaner.**  
The vacuum cleaner's body may fall when separating tank and body. Personal injury or product damage could result. **You should grasp the carrier handle** when you are moving the vacuum cleaner. (Depending on model)
- **If after emptying the dust tank the indicator light is on (red), clean the dust tank.**  
Failure to do so could result in product damage. (Depending on model)

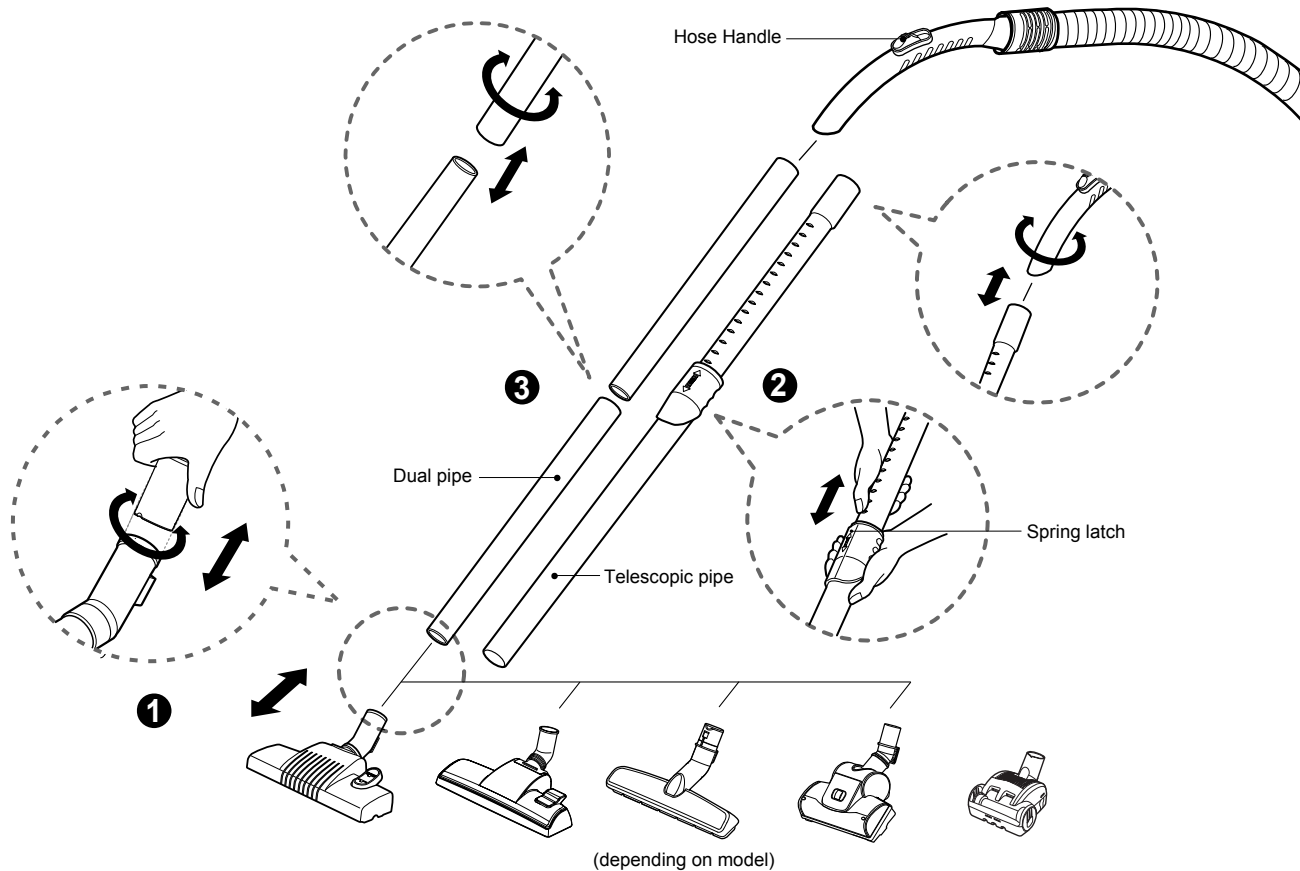
### Thermal protector :

This vacuum cleaner has a special thermostat that protects the vacuum cleaner in case of motor overheating. If the vacuum cleaner suddenly shuts off, turn off the switch and unplug the vacuum cleaner. Check the vacuum cleaner for possible source of overheating such as a full dust tank, a blocked hose or clogged filter. If these conditions are found, fix them and wait at least 30 minutes before attempting to use the vacuum cleaner. After the 30 minute period, plug the vacuum cleaner back in and turn on the switch. If the vacuum cleaner still does not run, contact a qualified LG authorised Service Agent.

# How to use

## Assembling vacuum cleaner

ON/OFF type with dual pipe or common telescopic pipe (depending on the model)



### 1 Carpet and Floor nozzle (depending on model)

Push telescopic pipe or dual pipe into the nozzle outlet.

### 2 Telescopic pipe (depending on model)

- Push the spring latch to release.
- Pull out the pipe to the desired length.
- Release spring latch to lock the pipe in position.

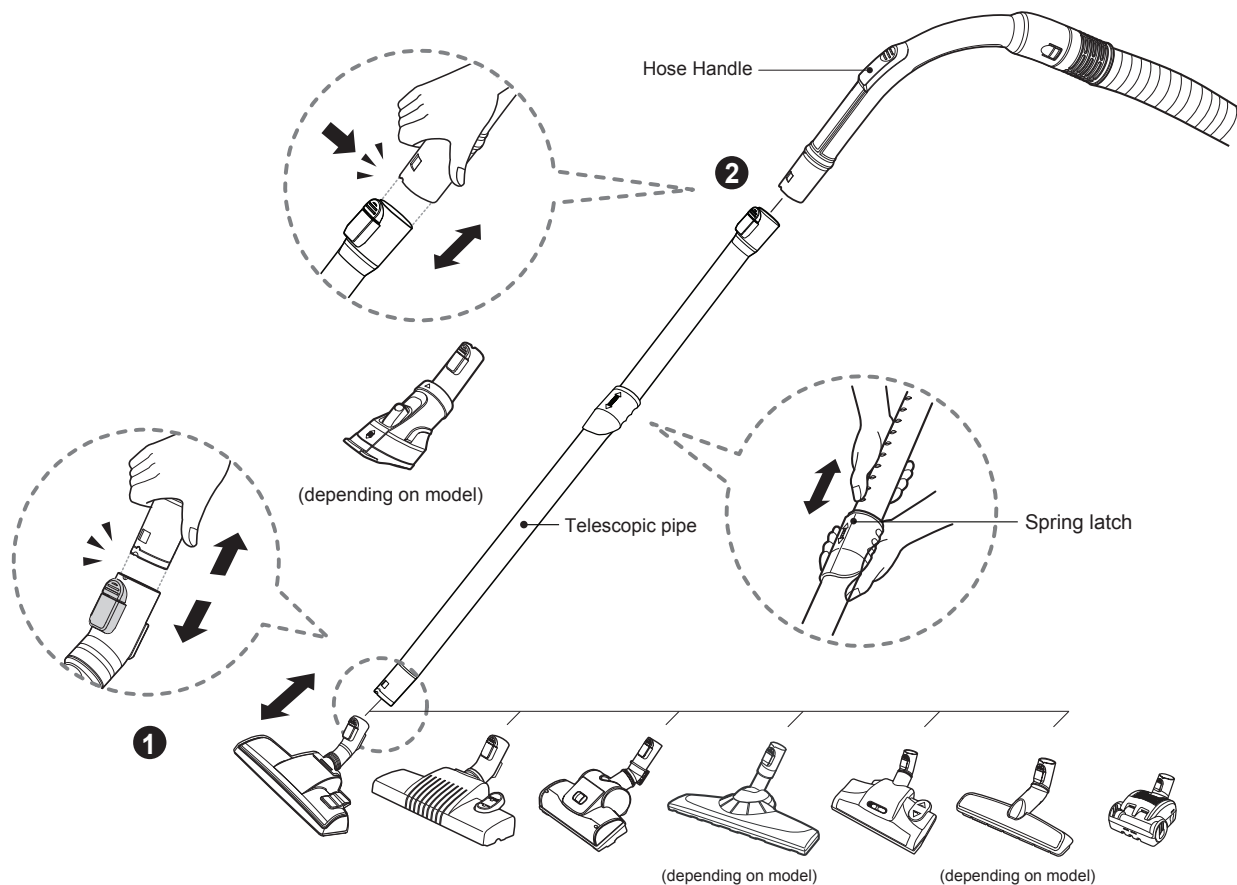
### 3 Dual pipe (depending on model)

Fit together the two pipes by twisting slightly when choose dual pipe.

# How to use

## Assembling vacuum cleaner

ON/OFF type and Rotary type with advanced telescopic pipe (depending on the model)



### 1 Carpet and floor nozzle (Depending on model)

Push the nozzle into the telescopic pipe.

### 2 Telescopic pipe (Depending on model)

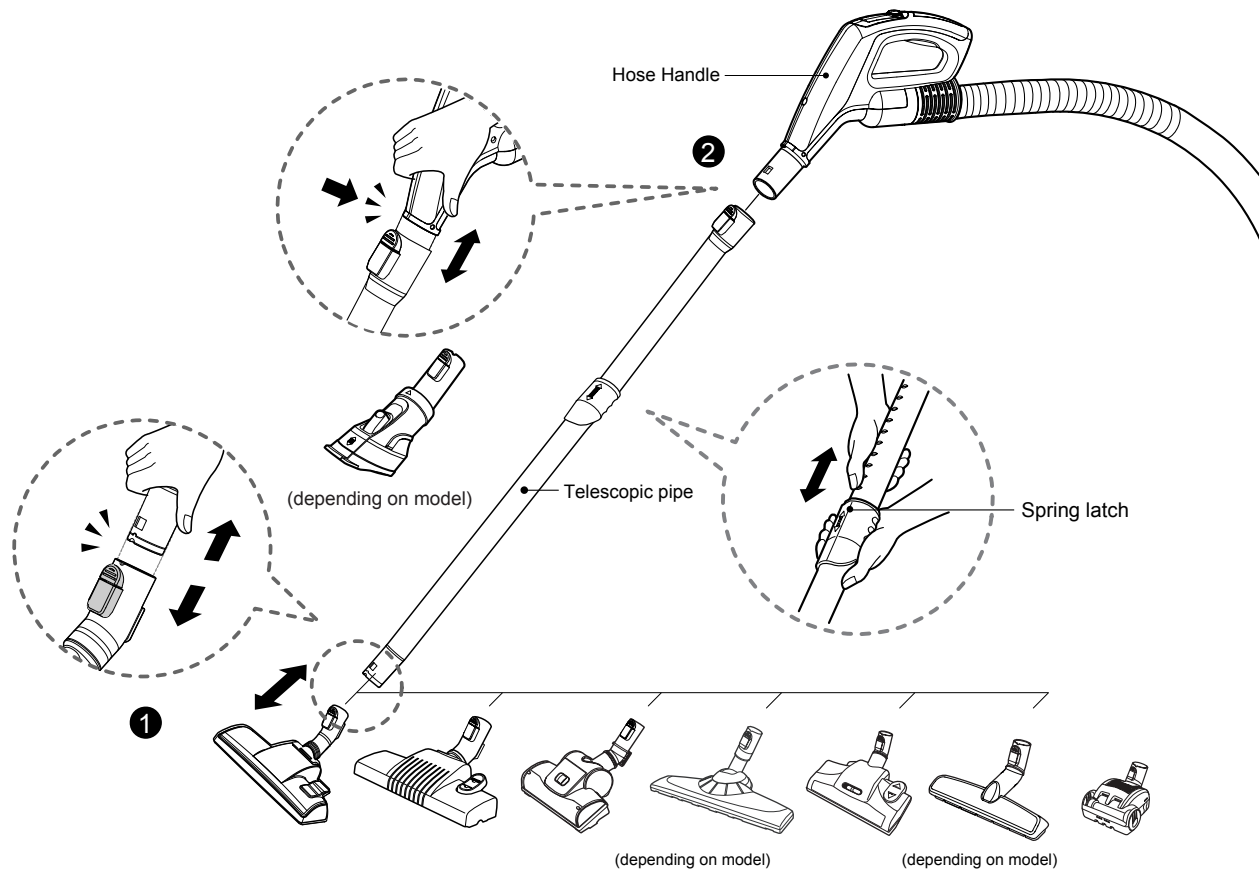
- Push telescopic pipe firmly into hose handle.
- Grasp the spring latch to expand.
- Pull out the pipe to desired length.



# How to use

## Assembling vacuum cleaner

Hose slide Type (depending on the model)

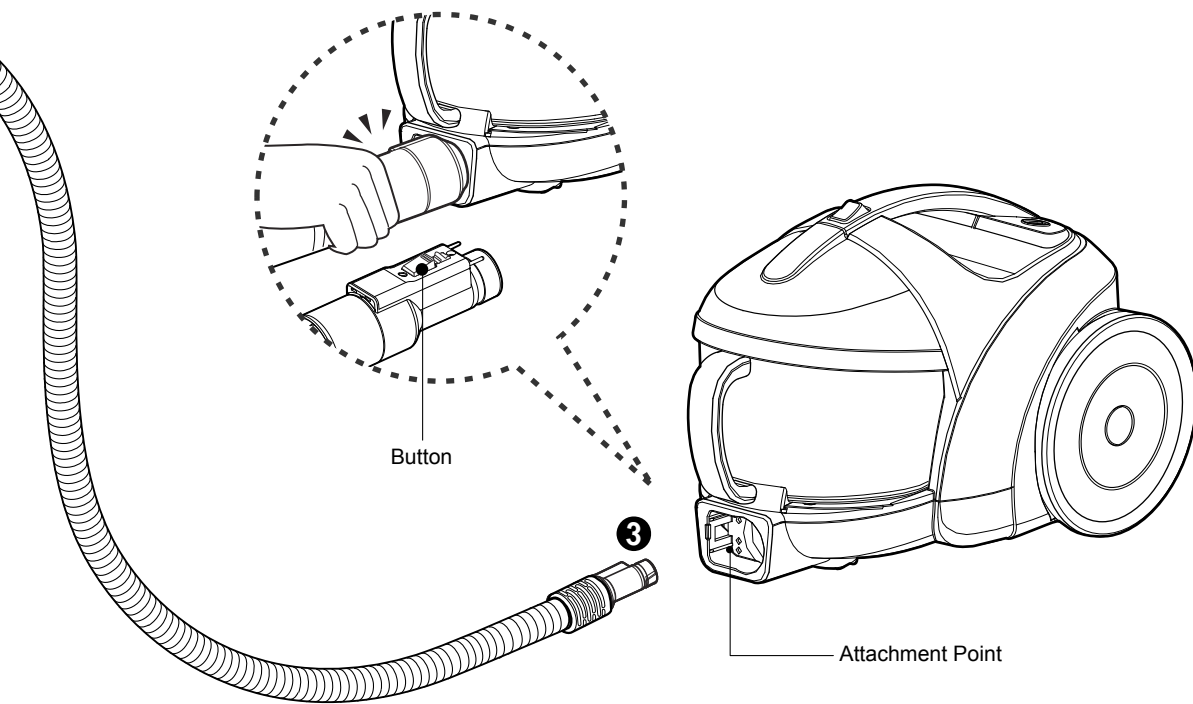


### 1 Carpet and floor nozzle (depending on model)

Push the nozzle into the telescopic pipe.

### 2 Telescopic pipe (depending on model)

- Push telescopic pipe firmly into hose handle.
- Grasp the spring latch to expand.
- Pull out the pipe to desired length.



### ③ Connecting the hose to the vacuum cleaner

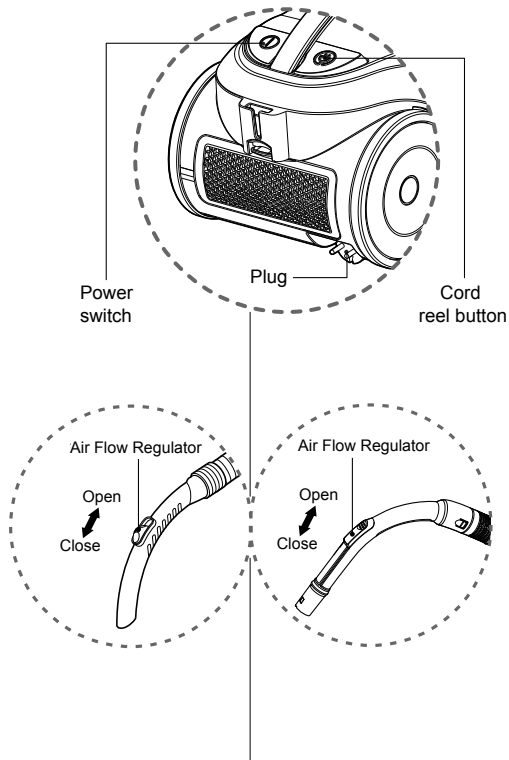
Push the fitting pipe on the flexible hose into the attachment point on the vacuum cleaner.

To remove the flexible hose from the vacuum cleaner, press the button situated on the fitting pipe, then pull the fitting pipe out of the vacuum cleaner.

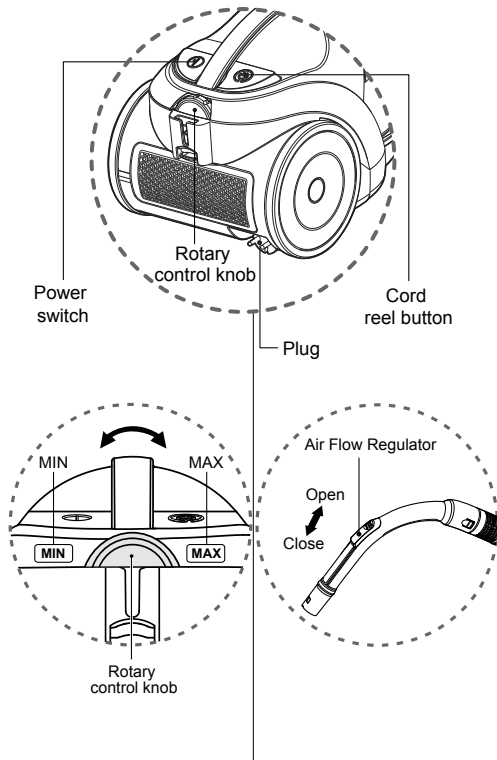
# How to use

## Operating vacuum cleaner

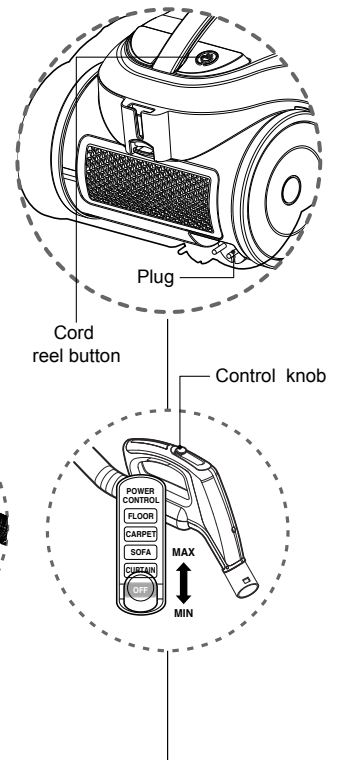
### 1 ON/OFF type (Depending on model)



### 1 Rotary type (Depending on model)



### 1 Hose slide type (Depending on model)



#### 1 How to operate (ON/OFF type)

- Pull out the power cord to the desired length and plug into the socket.
- Press power switch to start the vacuum cleaner.
- The flexible hose handle has a manual air flow regulator which allows you to briefly reduce the suction level.
- Press the cord reel button to rewind the power cord after use.

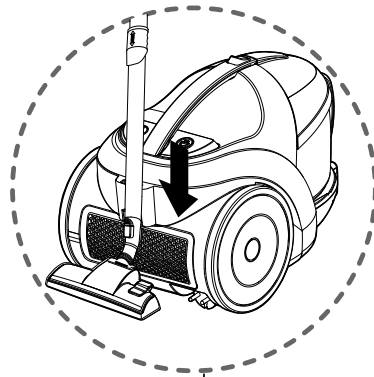
#### 1 How to operate (Rotary type)

- Pull out the power cord to the desired length and plug into the socket.
- Press power switch to start the vacuum cleaner.
- Slide the rotary control knob to adjust the suction level.
- The flexible hose handle has a manual air flow regulator which allows you to briefly reduce the suction level.
- Press the cord reel button to rewind the power cord after use.

#### 1 How to operate (Hose slide type)

- Pull out the power cord to the desired length and plug into the socket.
- Place the control knob of the hose handle to the required position.
- To turn off, slide control knob to OFF position.
- Press the cord reel button to rewind the power cord after use.

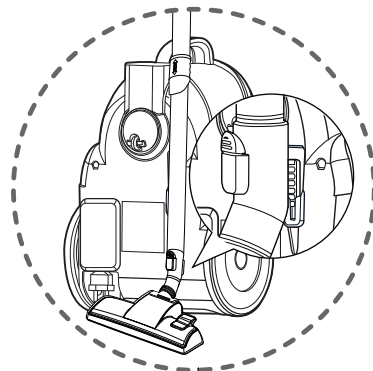
2



## 2 Park mode

- To store during vacuuming, for example to move a small piece of furniture or a rug, use park mode to support the flexible hose and nozzle.
- Slide the hook on the nozzle into the slot on the side of vacuum cleaner.

3

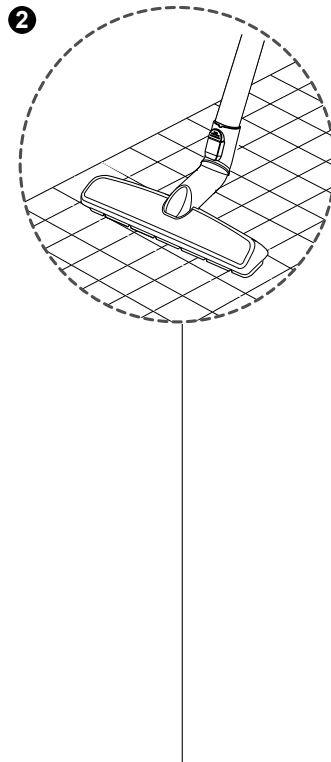
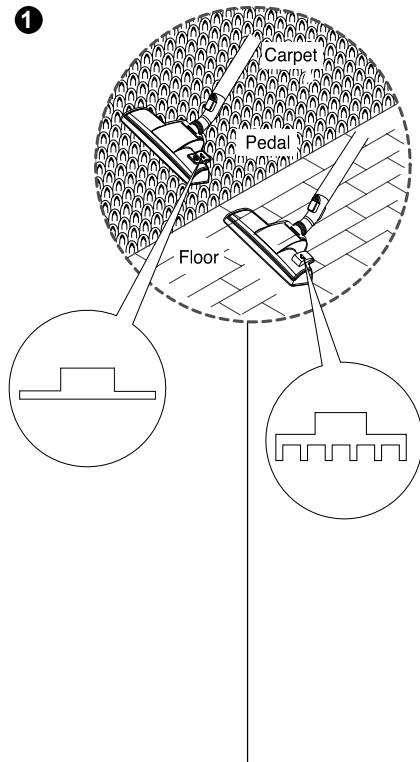


## 3 Storage

- When you have switched off and unplugged the vacuum cleaner, press the cord reel button to automatically rewind the cord.
- You can store your vacuum cleaner in a vertical position by sliding the hook on the nozzle into the slot on the underside of the vacuum cleaner.

# How to use

## Using carpet and floor nozzle



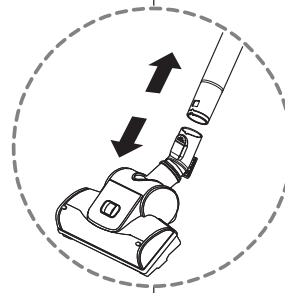
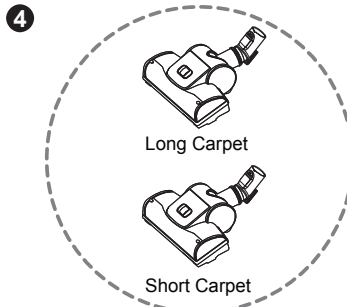
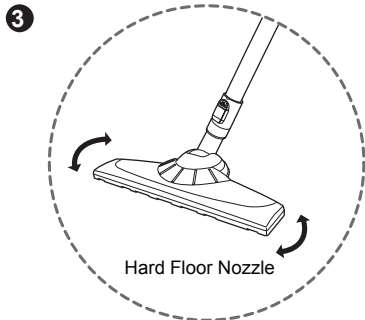
### ① Carpet and floor nozzle (depending on model)

- **The 2 position nozzle**  
This is equipped with a pedal which allows you to alter its position according to the type of floor to be cleaned.
- **Carpet or rug position**  
Press the pedal to lift the brush up.
- **Hard floor position** (tiles, parquets floor)  
Press the pedal to lower brush.

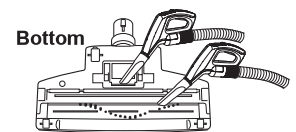
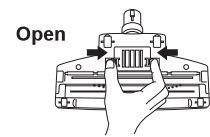
### ② Hard Floor Nozzle (depending on model)

- Efficient cleaning of hard floors  
(wood, linoleum, etc)





**Cleaning Turbine Nozzle**



**③ Hard floor nozzle  
(depending on model)**

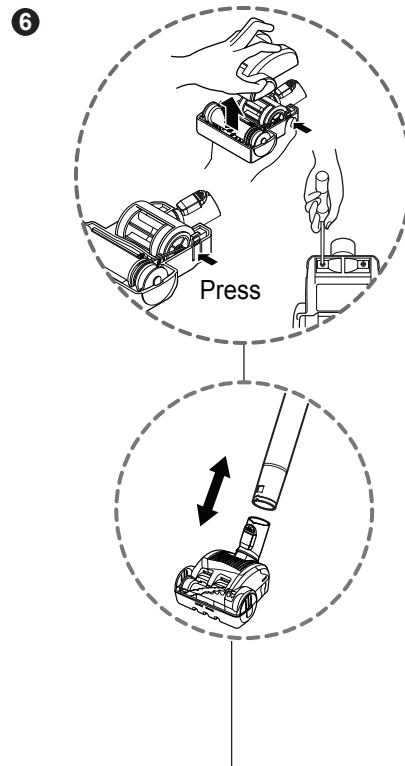
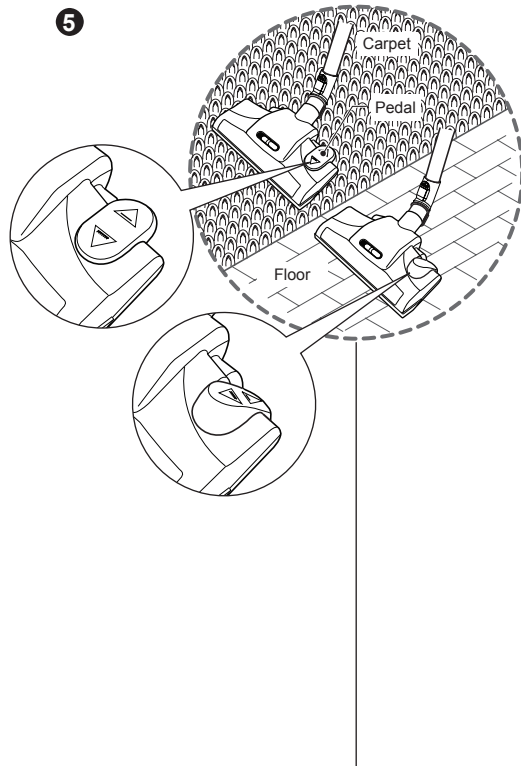
- You can perform cleaning at any place like corner or crevice since revolution is free.

**④ Turbine Nozzle  
(depending on model)**

- **Cleaning turbine brush nozzle.**
- Press the button on the rear side of the nozzle to separate the air cover
- Use the dusting brush & crevice tool to vacuum clean the brush and fan.

# How to use

Using All Floor nozzle and mini turbine nozzle



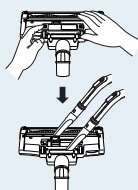
## 5 All Floor nozzle (depending on model)

- **The 2 position nozzle**  
This is equipped with a pedal which allows you to alter its position according to the type of floor to be cleaned.
- **Carpet or rug position**  
Press the pedal (▲), then brush will rotate.
- **Hard floor position**  
Press the pedal (△), then brush will stop rotating.

## 6 Mini turbine nozzle (depending on model)

- Mini turbine is used for stairs and other hard to reach places.
- To clean the mini turbine nozzle, remove the nozzle cover : Remove 2 screws on the bottom and take mini turbine nozzle cover off as shown.
- Frequently clean and remove hair, string, and lint build-up in the brush area.  
Failure to do so could damage to mini turbine nozzle.

### Cleaning All Floor nozzle

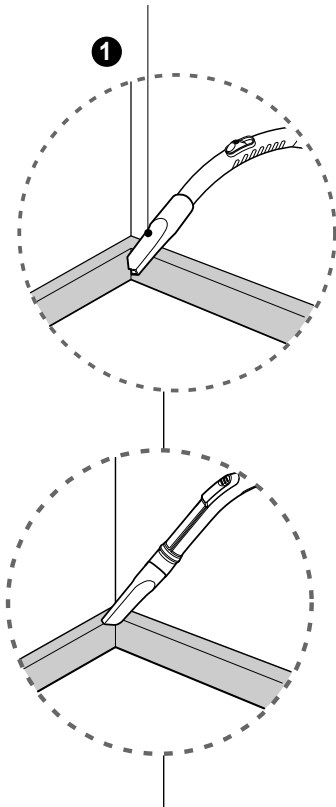


- Open the cover by pulling the hook.
- Clean the hole and brush of the nozzle.

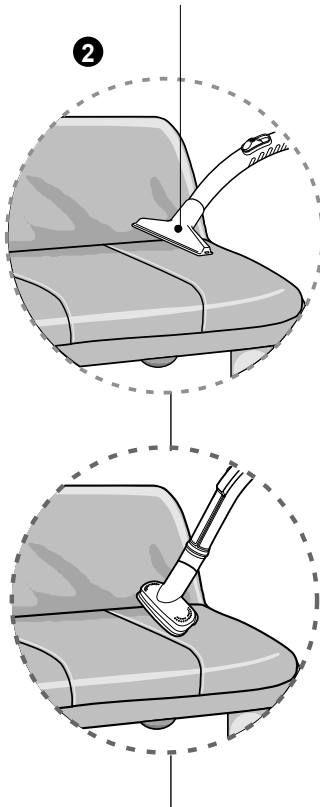
# How to use

## Using accessory nozzles

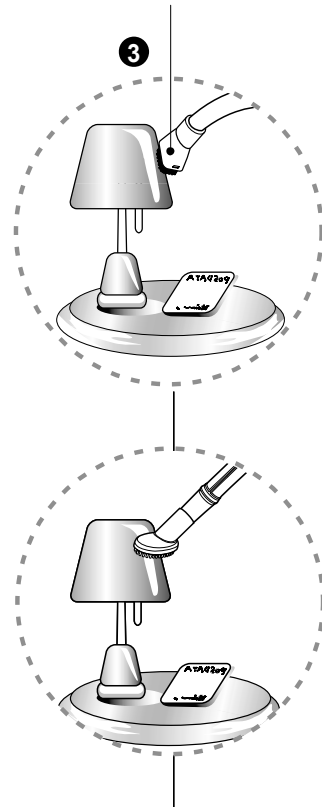
Crevice tool



Upholstery nozzle

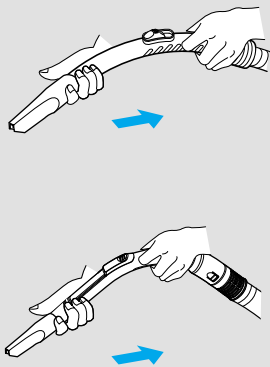


Dusting brush



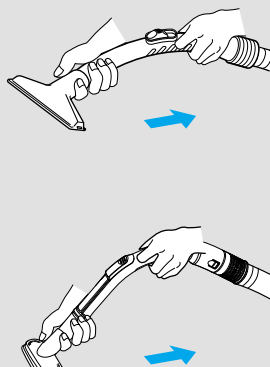
### 1 Crevice Tool (depending on model)

Crevice tool is for vacuuming in those normally hard-to-reach places such as reaching cobwebs or between the cushions of a sofa.



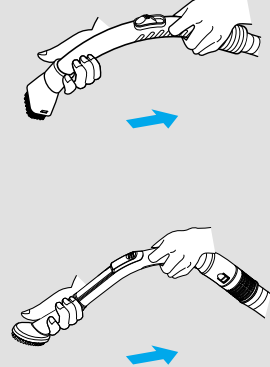
### 2 Upholstery Nozzle (depending on model)

Upholstery nozzle is for vacuuming upholstery, mattresses etc.



### 3 Dusting Brush (depending on model)

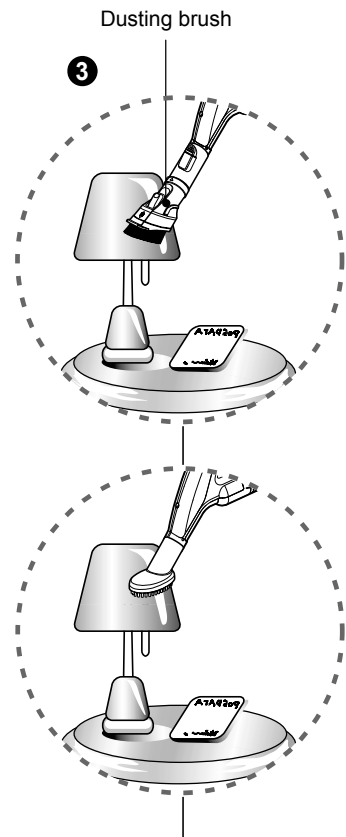
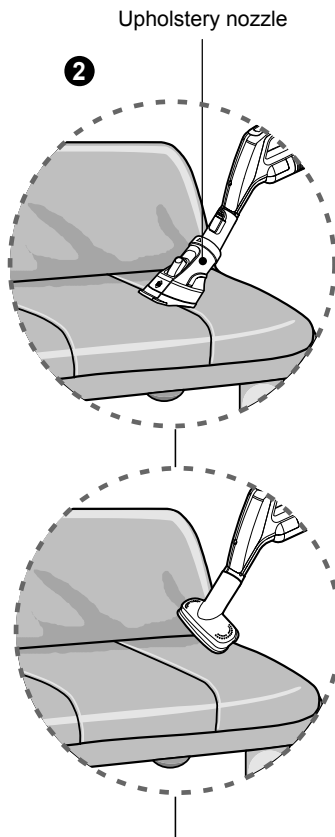
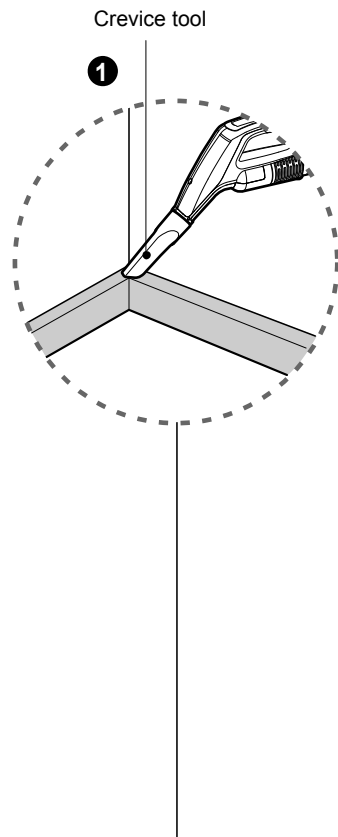
Dusting brush is for vacuuming picture frames, furniture frames, books and other irregular surfaces.





# How to use

## Using accessory nozzles



### 1 Crevice Tool (depending on model)

Crevice tool is for vacuuming in those normally hard-to-reach places such as reaching cobwebs or between the cushions of a sofa.

### 2 Upholstery Nozzle (depending on model)

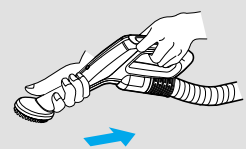
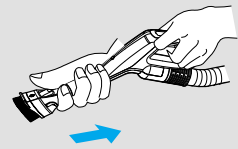
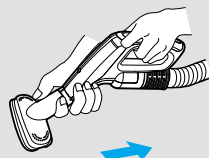
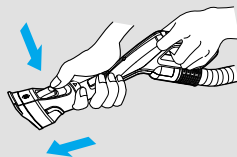
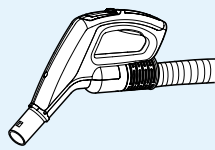
Upholstery nozzle is for vacuuming upholstery, mattresses etc.

### 3 Dusting Brush (depending on model)

Dusting brush is for vacuuming picture frames, furniture frames, books and other irregular surfaces.

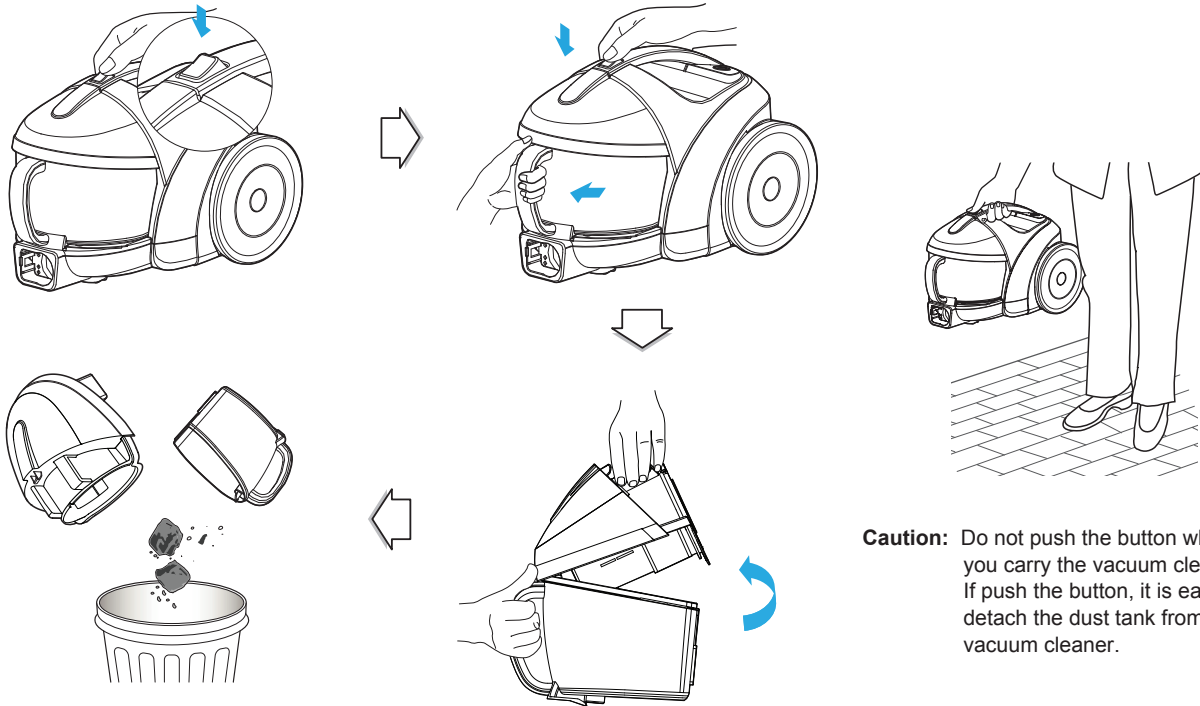
#### NOTICE

Use accessory in the sofa mode.



## How to use

### Emptying dust tank



**Caution:** Do not push the button when you carry the vacuum cleaner. If push the button, it is easy to detach the dust tank from the vacuum cleaner.

Cleaning the dust tank.

- Open the tank cap.
- Wash both parts with soft material.

Gently rinse both parts under a cold running tap.

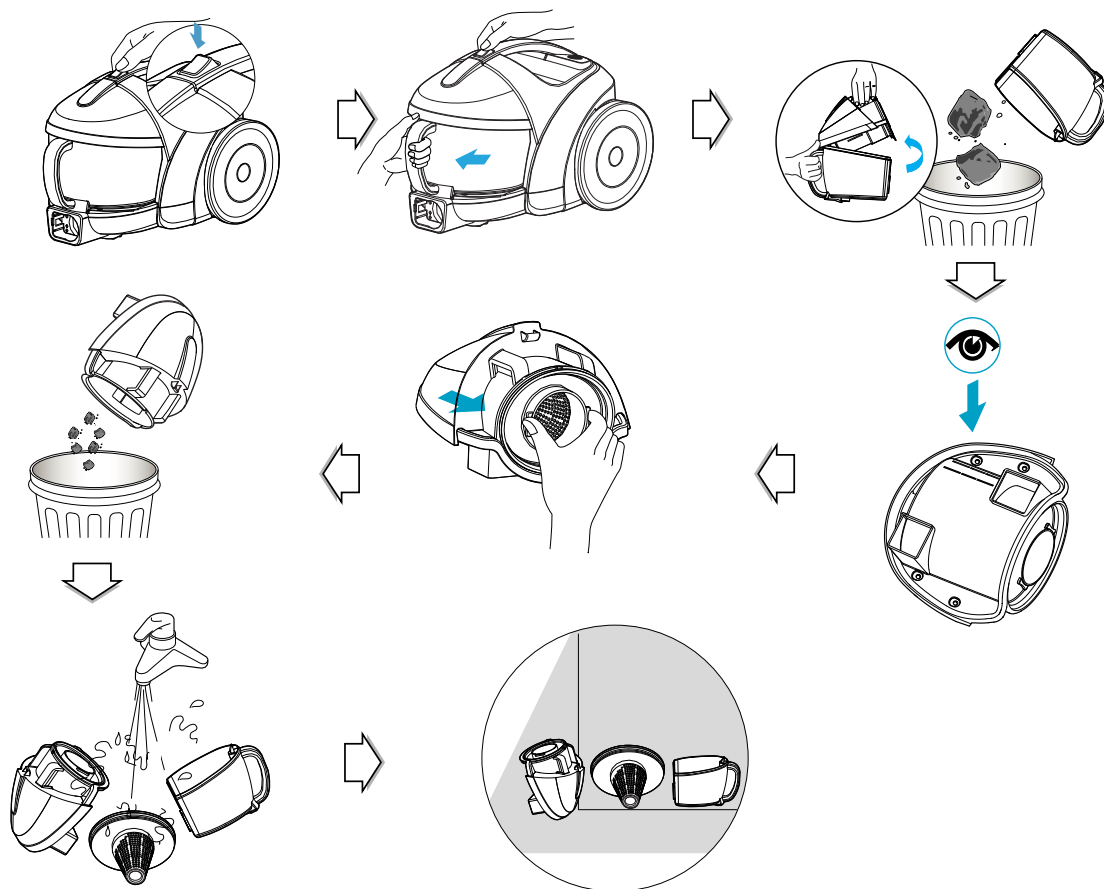
#### **WARNING!**

Gently rinse both parts separately under a cold running tap until the water runs clear.

**Do not use detergent or a washing machine or dishwasher.**

## How to use

### Cleaning dust tank



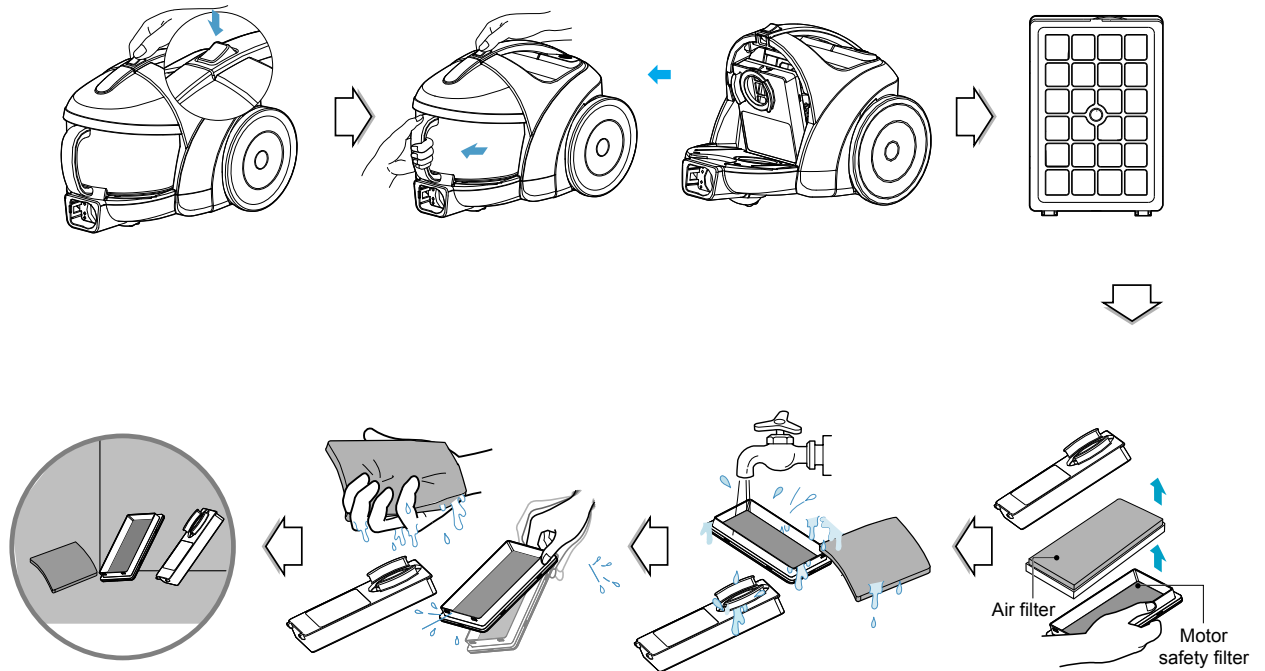
Push button and pull out dust tank.  
Raise dust tank cap.  
Dry fully in shade so that moisture is entirely removed.

#### **NOTICE**

If suction power decreases after cleaning dust tank, clean air filter and motor safety filter. ➔ Next page

# How to use

## Cleaning air filter and motor safety filter



If suction power is decreased after cleaning dust tank, clean air filter and motor safety filter. Air filter and motor safety filter are located at the center of vacuum cleaner in the above figure.

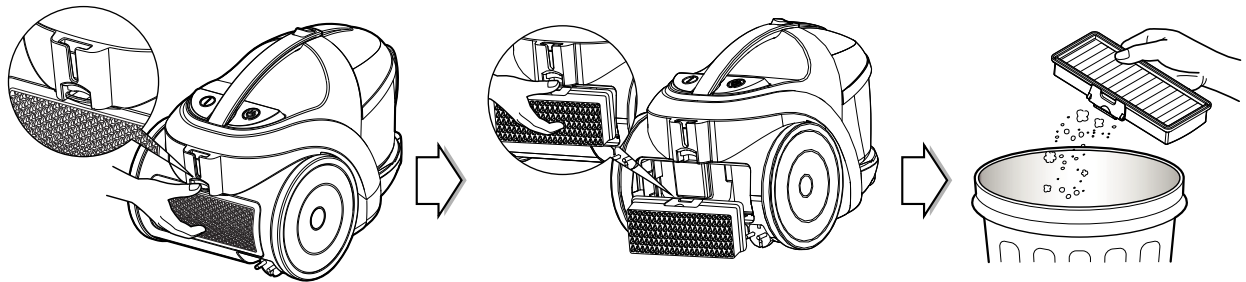
- Open the air filter cover by pulling the air filter cover lever and take out air filter.
- Separate the parts
- Wash air filter and motor safety filter with water.
- Do not wash filters with hot water.
- Dry fully in shade so that moisture is entirely removed.
- Air filter and motor safety filter should be cleaned in the above case.

### NOTICE

If filters are damaged, do not use them.  
In this cases, contact LG Electronics Service Agent.

## How to use

### Cleaning exhaust filter



- The exhaust filter is a reusable HEPA filter.
- To change the exhaust filter, remove the filter cover on the body by release hook.
- Pull out the exhaust filter.
- Dust off filter.
- The exhaust filter should be cleaned at least once a year.



## **What to do if your vacuum cleaner does not work?**

Check that the vacuum cleaner is plugged in correctly and that the electrical socket is working.

## **What to do when suction performance decreases?**

- Turn off the vacuum cleaner and unplug it.
- Check the dual pipe or telescopic pipe, flexible hose and cleaning tool for blockages or obstructions.
- Check that the dust tank is not full. Empty if necessary.
- Check that the exhaust filter is not clogged. Clean the exhaust filter if necessary.
- Check that the air filter is not clogged. Clean the air filter if necessary.

# Note









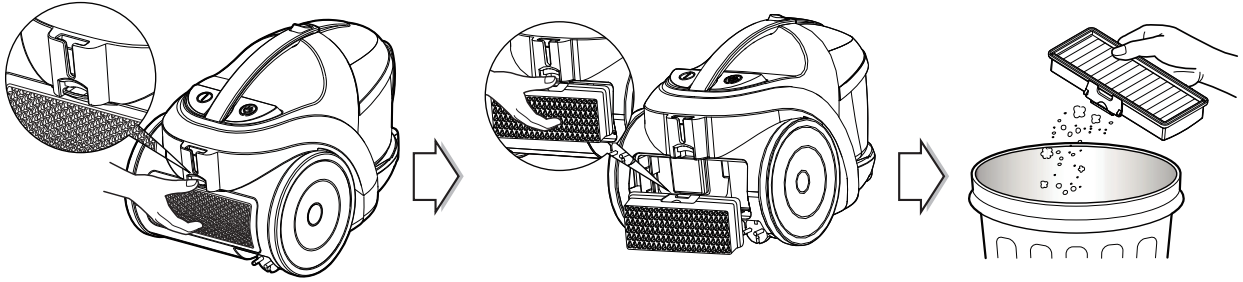
## ماذا تعمل اذا لم تشتغل المكنسة الكهربائية؟

اختبار المقبس الكهربائي وادخال القابس بشكل صحيح .

### ماذا تعمل اذا تم تخفيض قوة الشفط؟

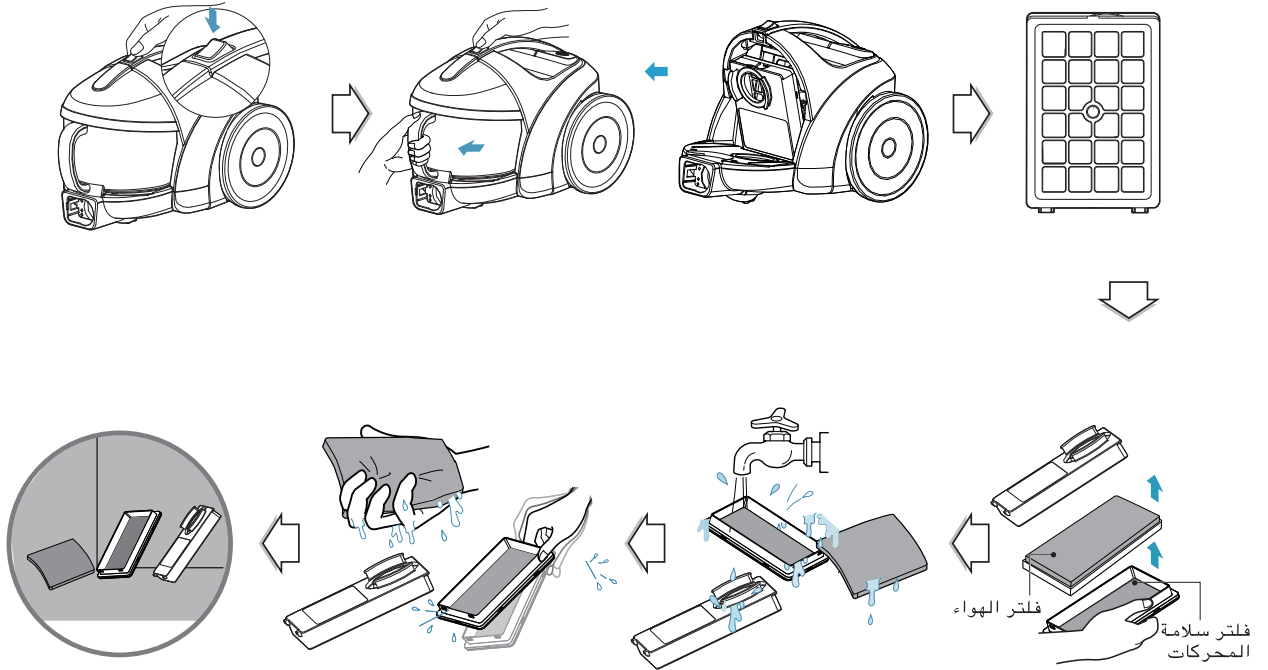
- وقف استعمال المكنسة الكهربائية وارجع القابس .
- اختبار الخرطوم المرن والأنابيب المتراكبة وأدوات التنظيف بشكل دقيق .
- اختبار كيس الغبار (مليئاً) . ويجب تغييره ان انقضى الأمر .
- اختبار فلتر العادم . ويجب تنظيفه ان انقضى الأمر .
- اختبار فلتر الهواء . ويجب تنظيفه ان انقضى الأمر .

## كيفية الاستعمال تنظيف فلتر العادم



- فلتر العادم هو نوع من فلتر HEPA الذي يمكن اعادة استعماله .
- تبديل فلتر العادم، فتح غطاء الفلتر في الجسم بالخطاف .
- اخراج فلتر العادم .
- ازالة الغبار من الفلتر (ممنوع تنظيف الفلتر بالماء) .
- يجب تنظيف فلتر العادم مرة واحدة كل سنة على الأقل .

## كيفية الاستعمال تنظيف فلتر الهواء وفلتر سلامة المحركات

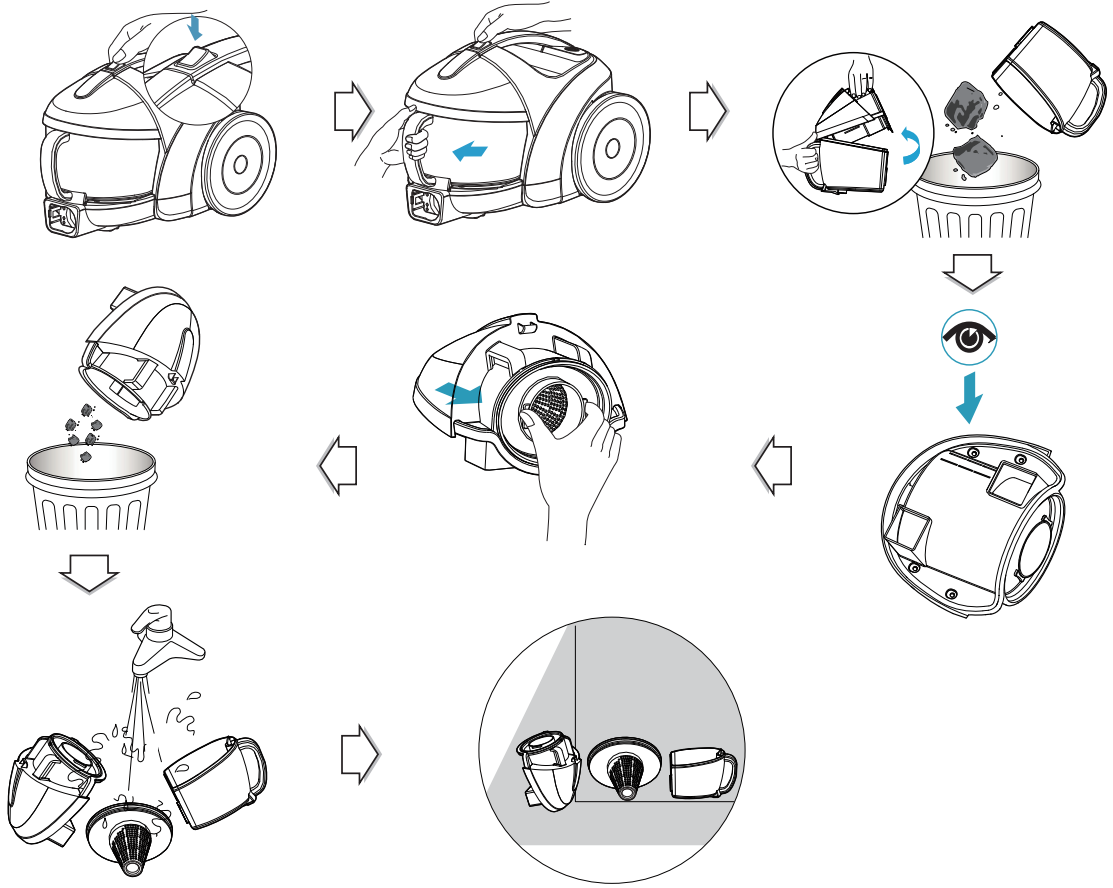


### الملاحظة:

ممنوع استعمال الفلترات اذا تم تخريبها .  
يجب الاتصال بوكيل LG للخدمة والصيانة اذا حدث ذلك .

- اذا تم تخفيض قوة الشفط بعد تنظيف علبة الغبار، فيجب تنظيف فلتر الهواء وفلتر سلامة المحركات . يتم وضع فلتر الهواء وفلتر سلامة المحركات في مركز المكنسة الكهربائية في الشكل أعلاه .
- فتح غطاء فلتر الهواء بسحب ذراع غطاء فلتر الهواء وإخراج فلتر الهواء .
- فك الأجزاء .
- غسيل فلتر الهواء وفلتر سلامة المحركات بالماء .
- ممنوع غسيل الفلترات بالماء الساخنة .
- التجفيف بشكل كامل في ظل الشمس من أجل إزالة كل الرطوبة .
- يجب تنظيف فلتر الهواء وفلتر سلامة المحركات حسب الخطوات أعلاه .

## كيفية الاستعمال تنظيف علبة الغبار

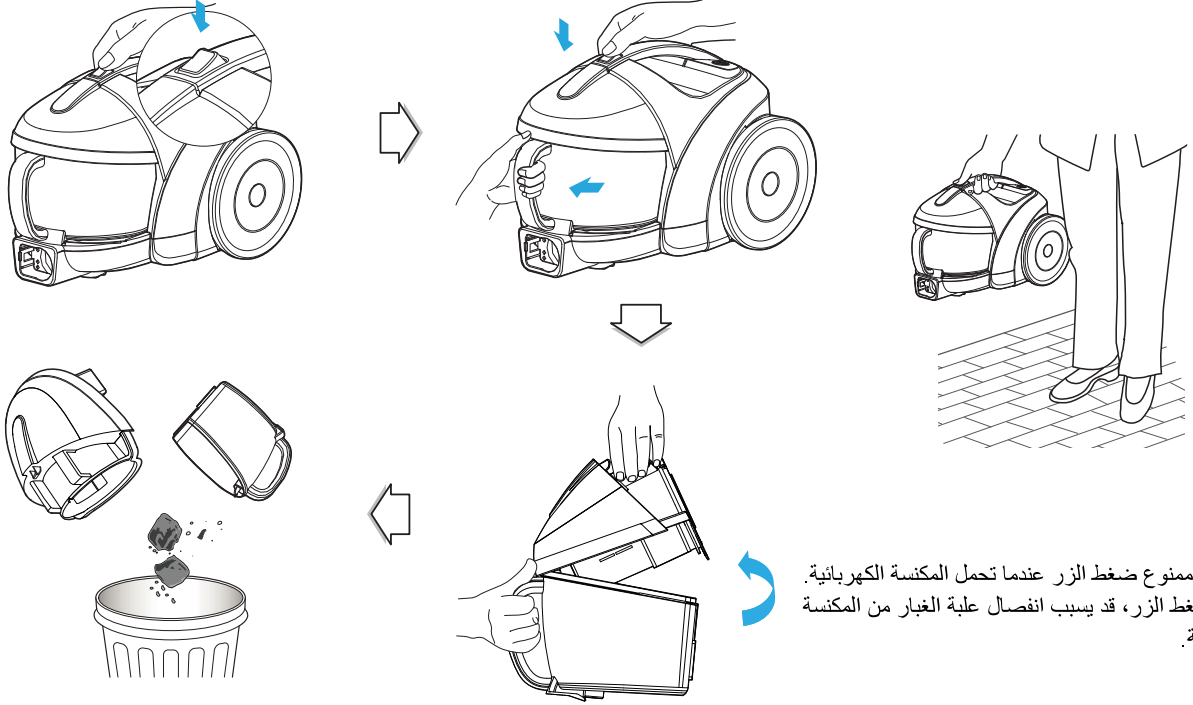


### الملاحظة:

إذا تم تخفيض قوة الشفط بعد تنظيف علبة الغبار، فيجب تنظيف فلتر الهواء وفلتر سلامة المحركات. ← الصفحة القادمة.

- فتح الغطاء بضغط الزر وسحب علبة الغبار.
- رفع غطاء علبة الغبار
- التجفيف بشكل كامل في ظل الشمس من أجل إزالة كل الرطوبة.

## كيفية الاستعمال تفريغ علبة الغبار



**التحذير:** ممنوع ضغط الزر عندما تحمل المكنسة الكهربائية. إذا تم ضغط الزر، قد يسبب انفصال علبة الغبار من المكنسة الكهربائية.

### التحذير!



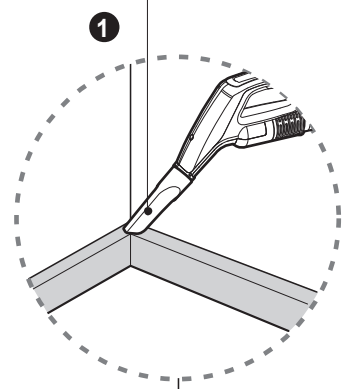
تنظيف كل الأجزاء تحت الحانفية بالماء الباردة بشكل منفصل حتى خروج ماء نظيفة . ممنوع استعمال السائل الكيماوي أو غسالة الملابس أو الصحون .

- تنظيف زعلبة س الغبار .
- فتح غطاء العلبة .
- تنظيف كل الأجزاء بمادة المرنة .
- تنظيف كل الأجزاء تحت الحانفية بالماء .

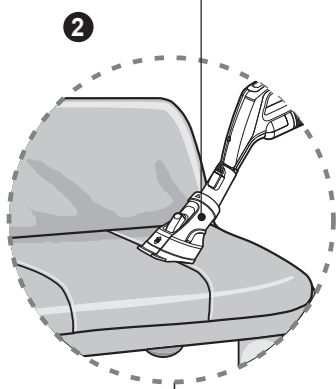
**الملاحظة :** ممنوع ضغط الزر المفتوح الأمامي عند قبض المقبض لنقل المكنسة الكهربائية، والأفيسبب سقوط صندوق الغبار وتخریب المنتوجات .

## كيفية الاستعمال استعمال الفوهات المساعدة

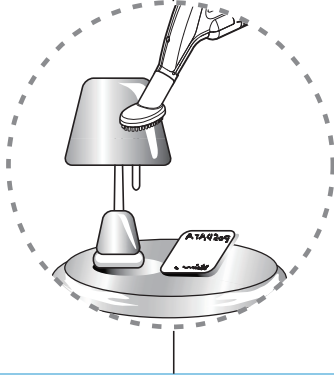
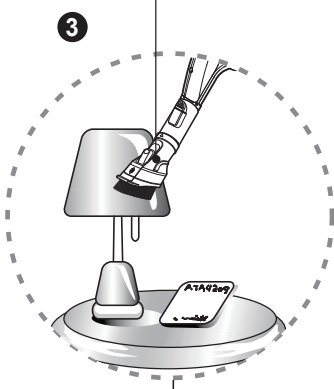
فرشاة الغبار  
(حسب الطراز)



أدوات تنظيف الأركان



فوهة مواد التنجيد  
(حسب الطراز)



### 3 فرشاة الغبار

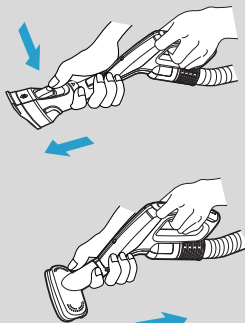
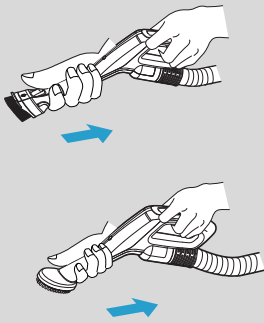
استعمال فرشاة الغبار لشطف  
هياكل الصور والأثاث والكتب  
والسطوح الغير منتظمة الأخرى.

### 2 فوهة مواد التنجيد

يمكن استعمال فوهة مواد التنجيد  
لتنظيف الأركان والشقوق .

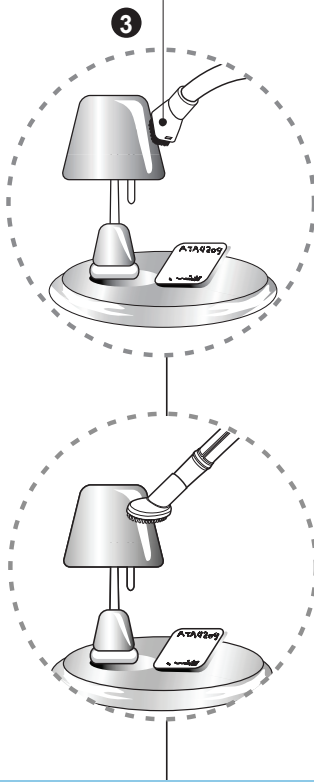
### 1 أدوات تنظيف الأركان

استعمال أدوات تنظيف الأركان  
لتنظيف أماكن صعبة الوصول،  
مثل أركان الأسقف وأسفل الأثاث .



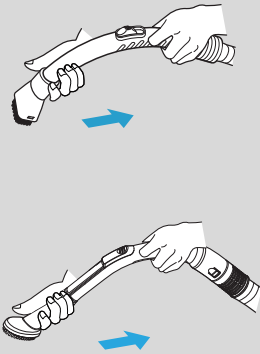
## كيفية الاستعمال استعمال الفوهات المساعدة

فرشاة الغبار  
(حسب الطراز)

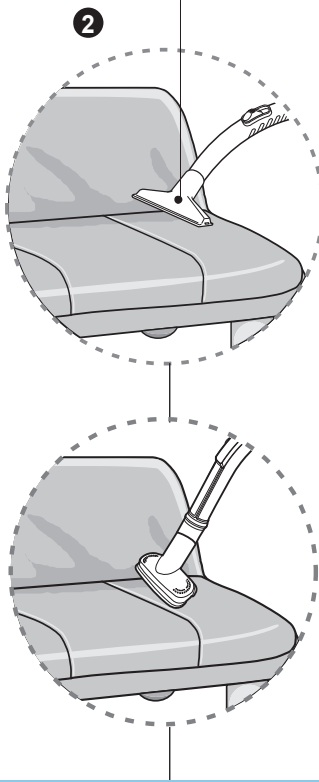


③ فرشاة الغبار

استعمال فرشاة الغبار لشفط  
هياكل الصور والأثاث والكتب  
والسطوح الغير منتظمة الأخرى .

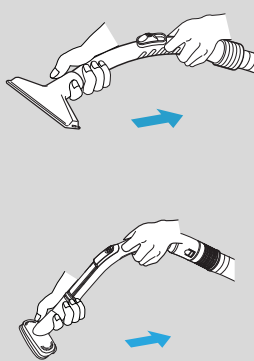


أدوات تنظيف الأركان

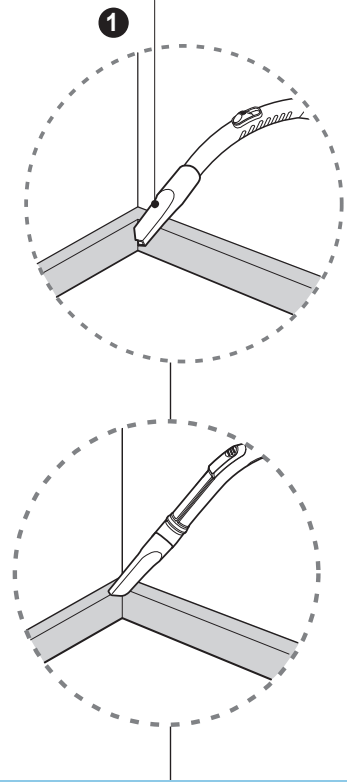


② فوهة مواد التنجيد

يمكن استعمال فوهة مواد التنجيد  
لتنظيف الأركان والشقوق .

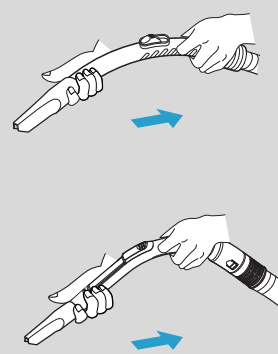


فوهة مواد التنجيد  
(حسب الطراز)



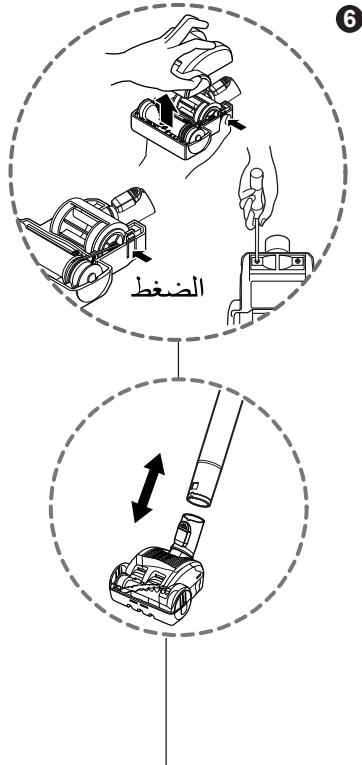
① أدوات تنظيف الأركان

استعمال أدوات تنظيف الأركان  
لتنظيف أماكن صعبة الوصول،  
مثل أركان الأسقف وأسفل الأثاث .



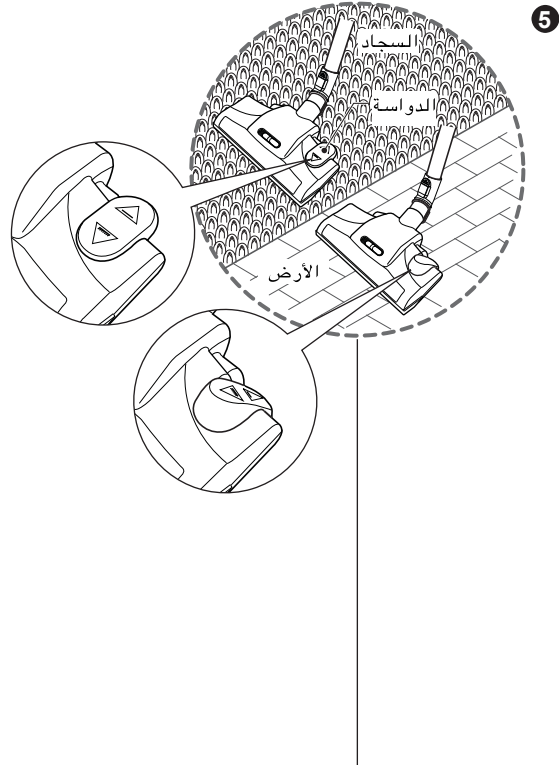


## كيفية الاستعمال اسمعمال فوهة جميع الأراضي وميكرو توربينة



6 فوهة ميكرو التوربينة (اختياري)

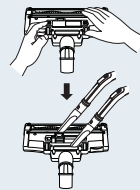
- استعمال ميكرو التوربينة للمدرجات أو أماكن أخرى صعبة الوصول.
- من أجل تنظيف فوهة ميكرو التوربينة، اخراج غطاء الفوهة:
- فك 2 براغي في الأسفل وإخراج غطاء الفوهة كما هو مبين.
- تنظيف وإزالة الشعر والخيوط والأوساخ المتراكمة في مكان الفرشاة. قد يسبب تخريب فوهة ميكرو التوربينة إذا لم يتم ذلك.



5 فوهة جميع الأراضي (حسب الطراز)

- فوهة ذات الوضع 2 الثنائي
- تركيب دواسة يمكنكم بها تعديل الوضع حسب نوع الأرض للتنظيف
- وضع السجاد أو البساط
- ضغط الدواسة (▲)، ثم ستستدير الفرشاة
- وضع الأرض الصلبة
- ضغط الدواسة (△)، ثم إيقاف استدارة الفرشاة.

### تنظيف فوهة جميع الأراضي

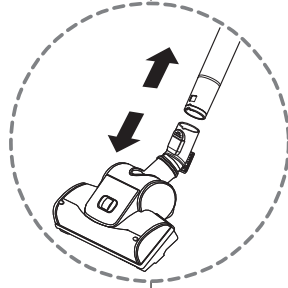
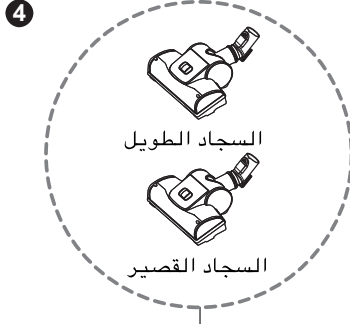


- فتح الغطاء بإخراج الخطافة
- تنظيف فتحة وفرشاة الفوهة



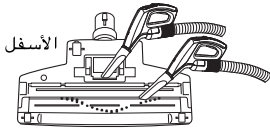
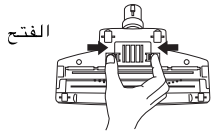
### 3 فوهة الأرض الصلبة (حسب الطراز)

- يمكنكم التنظيف في أي مكان مثل الركن أو الشقوق بفضل الدوارة الحرة.



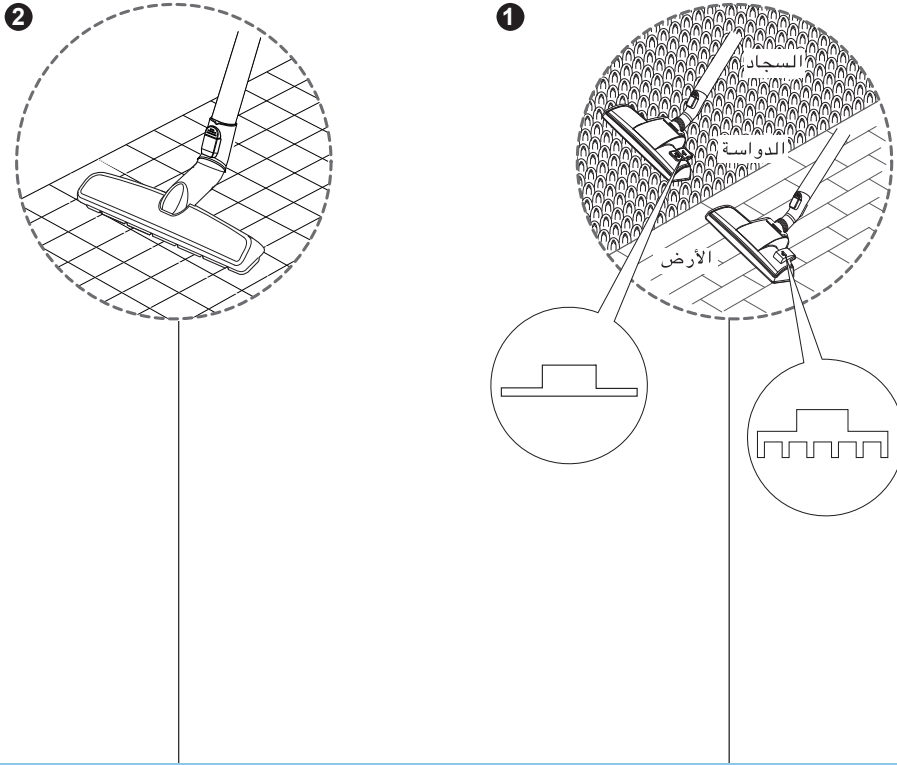
### 4 الفوهة الطربينية للتنظيف (حسب الطراز)

#### الفوهة الطربينية للتنظيف



- تنظيف فوهة الفرشاة الطربينية .
- ضغط الزر وراء الفوهة لفك غطاء الهواء .
- استعمال فرشاة الغبار وأدوات تنظيف الأركان لتنظيف وشفط الفرشاة والمروح .

# كيفية الاستعمال استعمال فوهة السجاد والأرض



## 2 فوهة الأرض الصلبة (حسب الطراز)

- التنظيف الفعال للأرض الصلبة (الخشب، الأرض المشمعة، ومالخ)

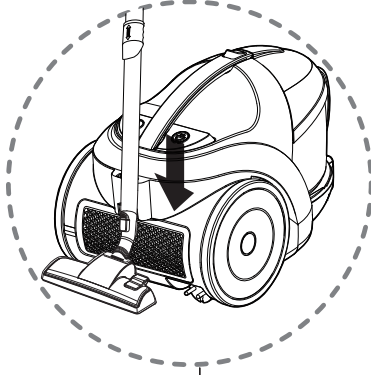
## 1 فوهة السجاد والأرض (حسب الطراز)

### • الفوهة ذات الوضع الثنائي

تزويد دواسة لتعديل الوضع حسب أنواع الأرض للتنظيف.

والتي تسمح لك بتغيير وضعها وفقاً لنوع الأرضية التي يتم تنظيفها. وضع الأرضية الصلبة (أرضيات الباركية والسيراميك...): اضغط على الدواسة لإنزال الفرشاة لأسفل وضع السجاد أو البساط. اضغط على الدواسة لرفع الفرشاة لأعلى.

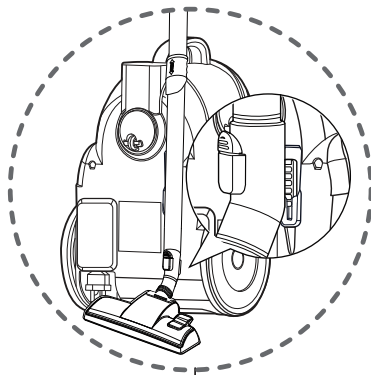
2



## 2 وضع الوقوف

- الوقوف لنقل الأثاث الصغيرة أو البساط أثناء عمل الشفط، استعمال وضع الوقوف لدعم الخرطوم المرن والفوهة .
- نقل خطاف الفوهة الى الفتحة في جانب المكنسة الكهربائية .

3

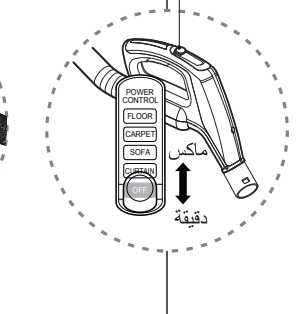
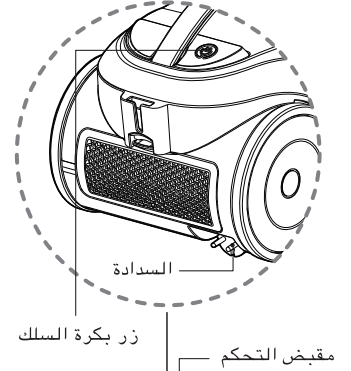


## 3 وضع التخزين

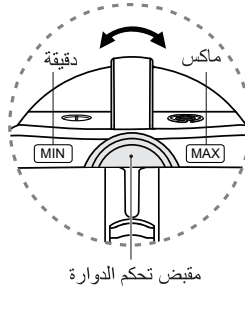
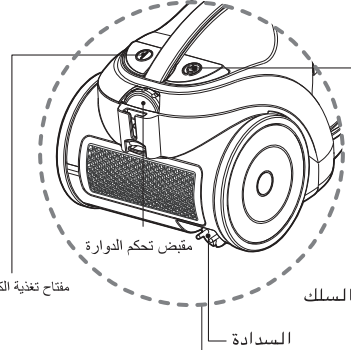
- سحب السلك الكهربائي حتى الطول المطلوب وادخاله الى المقبض .
- وضع مقبض التحكم لمقبض الخرطوم في المكان المطلوب .
- نقل مقبض التحكم الى مكان "الاطفاء" .
- ضغط زر بكرة السلك لارجاع السلك الكهربائي بعد الاستعمال .

# كيفية الاستعمال تشغيل المكنسة الكهربائية

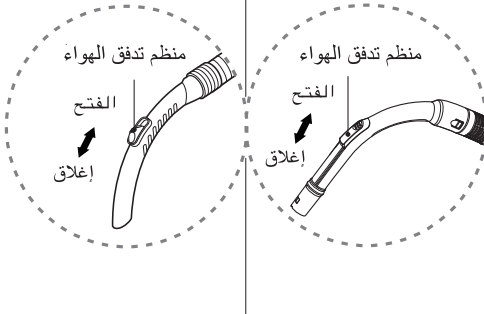
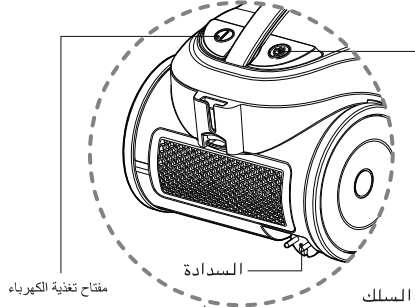
## 1 نوع انزلاق الخرطوم ( حسب الطراز )



## 1 نوع الدوارة ( حسب الطراز )



## 1 نوع التشغيل الايقاف (ON/OFF) ( حسب الطراز )



## 1 كيفية التشغيل ( نوع انزلاق الخرطوم )

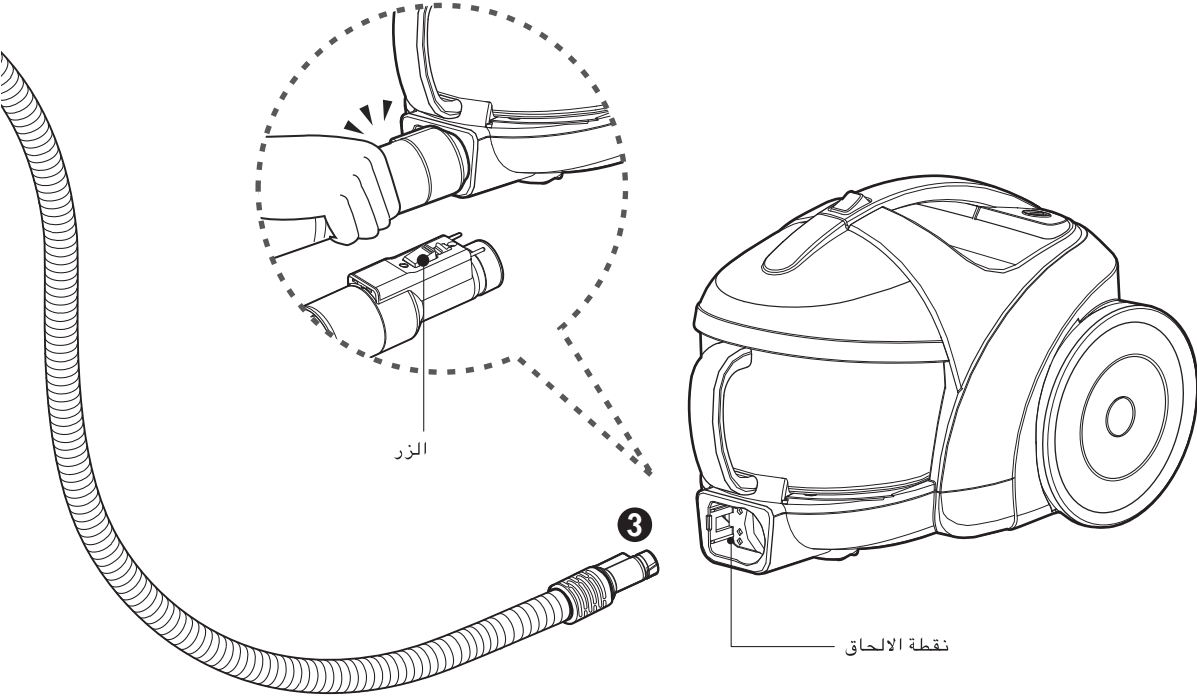
- عند اطفاء المكنسة الكهربائية وإخراج القابس، ضغط زر بكرة السلك لارجاع السلك الكهربائي .
- يمكنكم تخزين المكنسة الكهربائية بشكل عمودي بنقل خطاف الفوهة الى الفتحة تحت المكنسة الكهربائية .

## 1 كيفية تشغيل نوع الدوارة ( نوع الدوارة )

- ارجاع السلك الكهربائي الى الطول المطلوب وادخاله الى المقبس.
- ضغط مفتاح تغذية الكهرباء لتشغيل المكنسة الكهربائية.
- انزلاق مقبض تحكم الدوارة لتعديل قوة الشفط.
- عند مقبض الخرطوم منظم تدفق الهواء اليدوي الذي يمكنكم به تخفيض قوة الشفط بشكل خفيف.
- ضغط زر بكرة السلك لارجاع السلك الكهربائي بعد الاستعمال.

## 1 كيفية تشغيل ( نوع التشغيل الايقاف )

- ارجاع السلك الكهربائي الى الطول المطلوب وادخاله الى المقبس.
- ضغط مفتاح تغذية الكهرباء لتشغيل المكنسة الكهربائية.
- عند مقبض الخرطوم منظم تدفق الهواء اليدوي الذي يمكنكم به تخفيض قوة الشفط بشكل خفيف.
- ضغط زر بكرة السلك لارجاع السلك الكهربائي بعد الاستعمال.

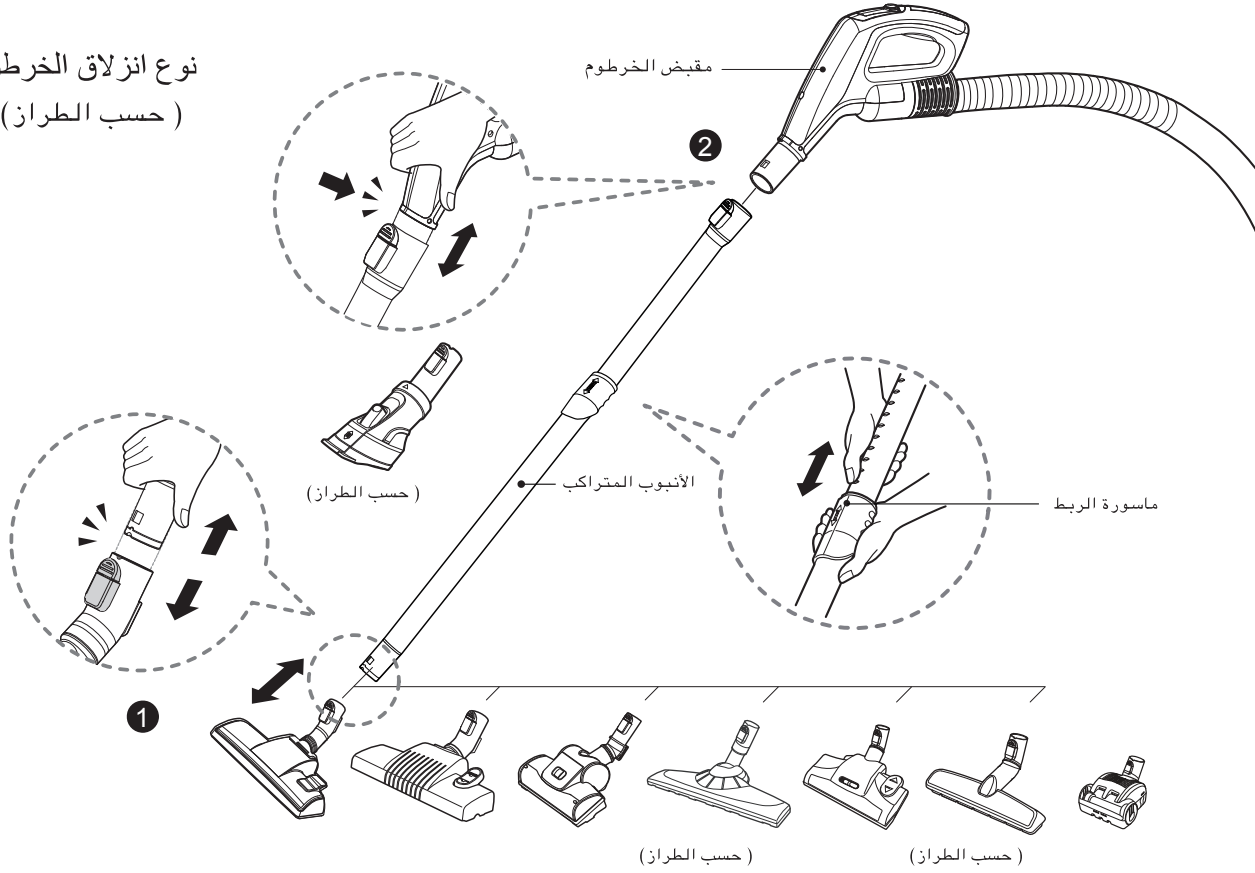


### 3 توصيل الخرطوم الى المكنسة الكهربائية

- دفع أنبوب التركيب للخرطوم المرن الى نقطة الالحاق في المكنسة الكهربائية.
- ضغط الزر الموجود في أنبوب التركيب، ثم سحبه الى خارج المكنسة الكهربائية من أجل اخراج الخرطوم المرن من المكنسة الكهربائية.

# كيفية الاستعمال تركيب المكنسة الكهربائية

نوع انزلاق الخرطوم  
( حسب الطراز )



## 2 الأنبوب المترابك

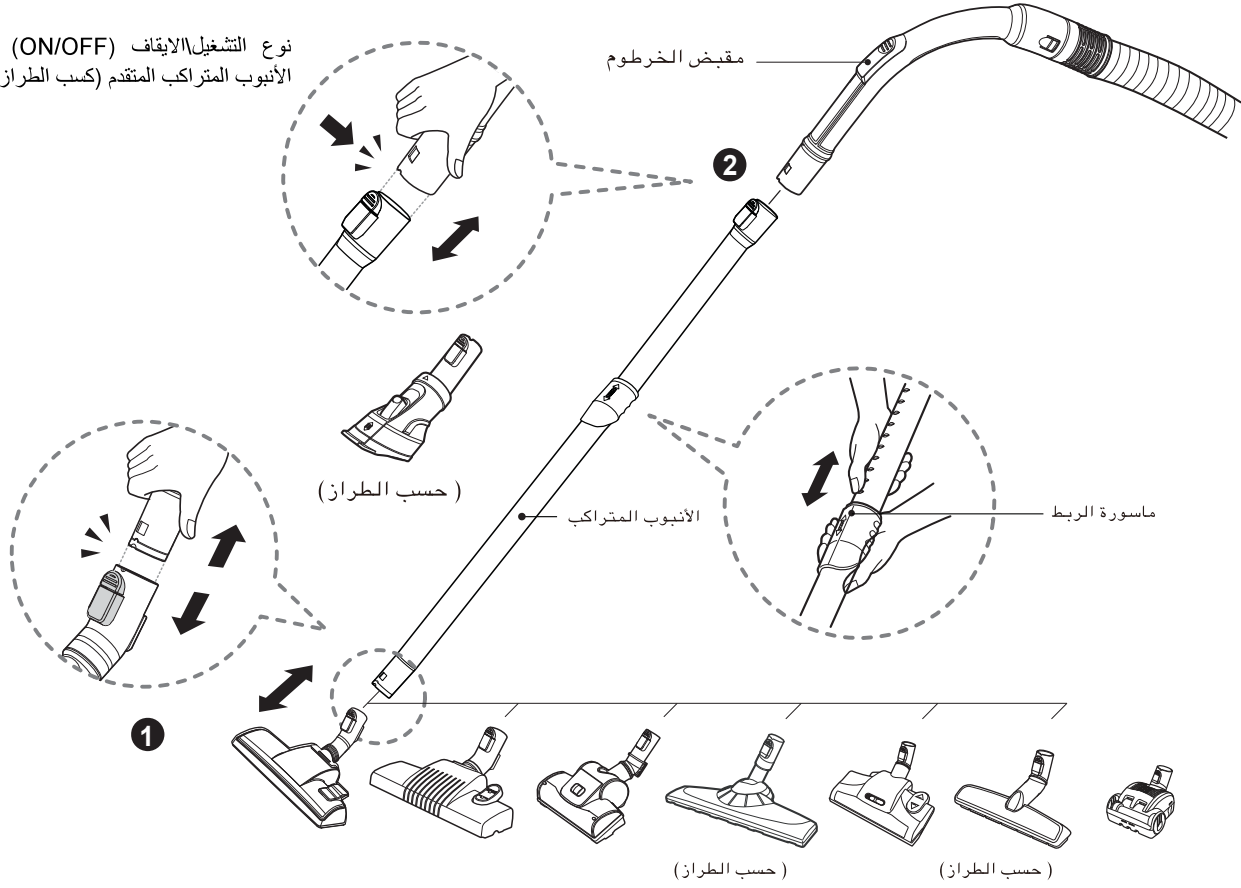
- دفع الأنبوب المترابك الى مقبض الخرطوم بشكل ثابت .
- قبض ماسورة الربط للتمديد .
- سحب الأنبوب الى الطول المطلوب .

## 1 فوهة السجاد والأرض

- دفع الفوهة الى الأنبوب المترابك .

# كيفية الاستعمال تركيب المكنسة الكهربائية

نوع التشغيل/الإيقاف (ON/OFF) ونوع الدوارة مع الأنبوب المتراكب المتقدم (كسب الطراز)



## ② الأنبوب المتراكب (كسب الطراز)

## ① فوهة السجاد والأرض (كسب الطراز)

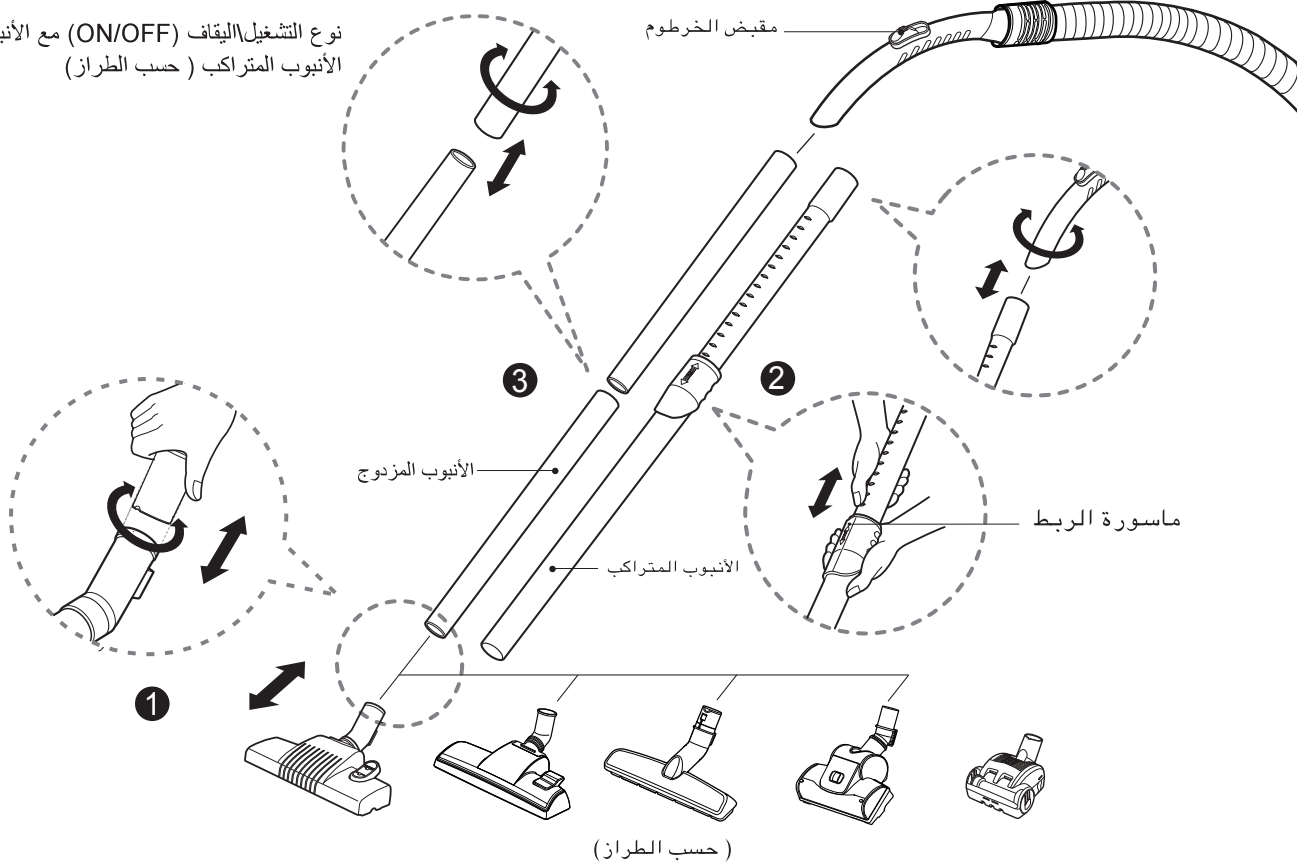
- دفع الأنبوب المتراكب الى مقبض الخرطوم بشكل ثابت .
- قبض ماسورة الربط للتمديد .
- سحب الأنبوب الى الطول المطلوب .

دفع الفوهة الى الأنبوب المتراكب.



# كيفية الاستعمال تركيب المكنسة الكهربائية

نوع التشغيل/البيفاف (ON/OFF) مع الأنبوب المزدوج أو  
الأنبوب المتراكب ( حسب الطراز )



## 3 الأنبوب المزدوج ( حسب الطراز )

تركيب الأنبوبين بالتواء الخفيف عند  
اختيار الأنبوب المزدوج.

## 2 الأنبوب المتراكب

- دفع الأنبوب المتراكب الى مقبض الخرطوم  
بشكل ثابت .
- قبض ماسورة الربط للتمديد .
- سحب الأنبوب الى الطول المطلوب .

## 1 فوهة السجاد والأرض ( حسب الطراز )

دفع الفوهة الى الأنبوب المتراكب.

## تعليمات هامة للسلامة

### ⚠ تنبيه

- لا تضع أي أغراض في الفتحات حيث يمكن أن يؤدي عدم القيام بذلك إلى تلف المنتج .
- لا تستخدم المكنسة في حالة انسداد الفتحات: احفظ الفتحات بعيدا عن الأتربة أو النسالة أو الشعر أو أي شيء قد يقلل تيار الهواء .
- حيث يمكن أن يتسبب ذلك في تلف المنتج .
- لا تستخدم المكنسة بدون صندوق الأتربة و/أو المرشحات مثبتة في أماكنها.
- حيث يمكن أن يؤدي عدم القيام بذلك إلى تلف المنتج .
- لا تستخدم المكنسة في تنظيف الأشياء الحادة والصلبة مثل الدبابيس، أو الحجارة، أو الألعاب الصغيرة، إلخ .
- فقد تتلف هذه الأشياء المكنسة أو صندوق الأتربة .
- تخزين المكنسة الكهربائية داخل المنزل .
- أحفظ المكنسة بعيدا بعد الاستخدام لمنع لتجنب التعثر فيها .
- ممنوع استعمال المكنسة الكهربائية من قبل الأشخاص الضعيفة ( بما فيه الأطفال) في الجسم أو الحسية أو العقل أو بدون الخبرات والعلم، إلا تحت إشراف وتعليم شخص مسؤل عن سلامتهم حول استعمال المكنسة الكهربائية. يجب تأكد عدم لعب المكنسة الكهربائية من قبل الأطفال.
- استخدم قطع الغيار المنتجة أو الموصى بها من قبل وكلاء خدمة شركة . نذرفقهم نذرفقهم
- حيث يمكن أن يؤدي عدم القيام بذلك إلى تلف المنتج .
- استخدم المكنسة الكهربائية كما هو موصوف في هذا الدليل فقط استخدمها فقط مع الملحقات أو المرفقات الموصى بها أو المعتمدة من غم.
- حيث يمكن أن يؤدي عدم القيام بذلك إلى الإصابة الجسدية أو تلف المنتج .
- لتجنب الإصابة الجسدية أو لمنع الجهاز من الصندوق عند تنظيف السلالم، ضع المكنسة دائما أسفل السلالم .
- حيث يمكن أن يؤدي عدم القيام بذلك إلى الإصابة الجسدية أو تلف المنتج .

### الواقى الحراري:

يوجد بهذه المكنسة ترموستات يحميها في حالة ارتفاع درجة حرارة المحرك. في حالة توقف المكنسة الكهربائية فجأة، فأغلق المفتاح وافصلها عن التيار الكهربائي. افحص المكنسة الكهربائية للتأكد من عدم وجود مصدر لارتفاع الحرارة مثل امتلاء غرفة الأتربة أو انسداد خرطوم أو انسداد مرشح. في حالة وجود أي من هذه الحالات، قم بإصلاحها أو انتظر لمدة ٣٠ دقيقة على الأقل قبل محاولة استخدام المكنسة الكهربائية. وبعد مرور ٣٠ دقيقة، قم بتوصيل المكنسة الكهربائية بالتيار الكهربائي وأدر المفتاح .

## تعليمات هامة للسلامة

الرجاء قراءة جميع التعليمات قبل استخدام المكنسة الكهربائية لمنع خطر حدوث حريق، أو صدمة كهربية، أو إصابة للأشخاص، أو تلف عند استخدام المكنسة الكهربائية، لا يشمل هذا الدليل كل الظروف المحتملة التي قد تحدث. اتصل دائماً بفني الخدمة أو المصنع في حالة وجود أية مشكلات لا تفهمها يتوافق هذا الجهاز مع قوانين الاتحاد الأوروبي: التوجيهات: توجيه الجهد الكهربائي المنخفض 2006/95/EC - وتوجيه EMC 2004/108/EC -

هذا هو رمز تنبيه للسلامة .

ينبهك هذا الرمز ضد المخاطر المحتملة التي يمكن أن تقتلك أو تؤذيك أنت أو الآخرين .  
تنبيه للسلامة وتعني كلمة زتحذيرس أو “WARNING” حق تلي كل رسائل السلامة كل رمز “CAUTION” ستنبيهس  
تعني هذه الكلمات ما يلي:



ينبهك هذا الرمز إلى المخاطر أو الممارسات غير الآمنة والتي قد تؤدي إلى إصابة جسدية خطيرة أو الوفاة.

تحذير

ينبهك هذا الرمز إلى المخاطر أو الممارسات غير الآمنة والتي قد تؤدي إلى إصابة جسدية أو تلف الممتلكات.

تنبيه

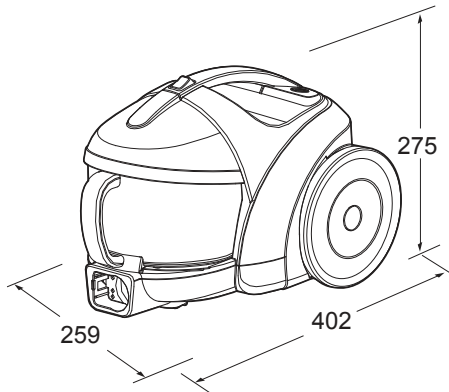
تحذير

- **افصل مصدر التيار الكهربائي قبل صيانة الوحدة أو تنظيفها أو عند عدم استخدام المكنسة .**  
قد يؤدي عدم القيام بذلك إلى الصدمة الكهربائية أو الإصابة الجسدية .
- **لا تستخدم المكنسة في تنظيف أشياء حارقة أو مصدر للأدخنة، مثل السجائر أو الرماد الساخن .**  
حيث يمكن أن يؤدي ذلك إلى الوفاة أو الحريق أو الصدمة الكهربائية .
- **لا تقم بتنظيف المواد القابلة للاشتعال أو الانفجار مثل الجازولين أو البنزين أو مخفف الطلاء أو البروبان (سوائل أو غازات) .**  
حيث يمكن للدخان الذي ينبعث من هذه السوائل أن يتسبب في خطر الحريق أو الانفجار حيث يمكن أن يؤدي ذلك إلى الوفاة أو الإصابة الجسدية
- **لا تمسك القابض أو المكنسة بأيدي مبللة .**  
حيث يمكن أن يؤدي ذلك إلى تلف المنتج أو الصدمة
- **لا تفصل التيار الكهربائي بجذب السلك .**  
حيث يمكن أن يؤدي ذلك إلى تلف المنتج أو الصدمة الكهربائية لفصل التيار عن المكنسة، امسك بالقابض، وليس السلك .
- **احفظ بالشعر، والملابس الفضفاضة، والأصابع، وكل أجزاء الجسم بعيداً عن الفتحات والأجزاء المتحركة الأخرى .**  
قد يؤدي عدم القيام بذلك إلى الصدمة الكهربائية أو الإصابة الجسدية .
- **لا تسحب المكنسة من سلك التيار أو تحملها منه، ولا تستخدم سلك التيار كمقبض، ولا تفلق الباب على سلك التيار، أو تلف سلك التيار حول أطراف حادة لا تسحب المكنسة الكهربائية على سلك التيار احتفظ بسلك التيار بعيداً عن الأسطح الساخنة .**  
قد يؤدي عدم القيام بذلك إلى الصدمة الكهربائية أو الإصابة الجسدية أو الحريق أو تلف المنتج .
- **لا تستخدم المكنسة الكهربائية كلعبة . يجب الانتباه الشديد عند استخدام المكنسة أو عندما تكون قريباً من الأطفال حيث يمكن أن يتسبب ذلك في الإصابة الجسدية أو تلف المنتج .**
- **ممنوع استعمال المكنسة الكهربائية إذا تم تخريب السلك الكهربائي أو القابض، إذا تم تخريب السلك الكهربائي، فيجب تبديله من قبل وكيل الصيانة من LG Electronics من أجل تفادي المخاطر.**
- **لا تستخدم المكنسة الكهربائية إذا كانت مغمورة بالمياه .**  
حيث يمكن أن يتسبب ذلك في الإصابة الجسدية أو تلف المنتج في هذه الحالة اتصل بوكيل خدمة شركة Electronics LG لتجنب المخاطر .
- **لا تستمر في التنظيف بالمكنسة الكهربائية إذا بدا لك أن أية أجزاء مفقودة أو تالفة .**  
حيث يمكن أن يتسبب ذلك في الإصابة الجسدية أو تلف المنتج في هذه الحالة اتصل بوكيل خدمة شركة Electronics LG لتجنب المخاطر .
- **لا تستخدم سلك التمديد مع هذه المكنسة الكهربائية**  
حيث يمكن أن يتسبب ذلك في خطر الحريق أو تلف المنتج .
- **استخدام الفولتية الصحيحة**  
قد يؤدي استخدام فولتية غير صحيحة إلى تلف المحرك أو إصابة المستخدم الفولتية السليمة مطبوعة أسفل المكنسة الكهربائية .
- **أوقف تشغيل كل مفاتيح التحكم في المكنسة قبل فصلها عن التيار**  
قد يؤدي عدم القيام بذلك إلى الصدمة الكهربائية أو الإصابة الجسدية .
- **لا تستبدل القابض بأي شكل من الأشكال**  
قد يؤدي عدم القيام بذلك إلى الصدمة الكهربائية أو الإصابة الجسدية أو تلف المنتج قد يؤدي القيام بذلك إلى الوفاة إذا لم يكن القابض مناسباً، فاتصل بكهربائي مختص لتركيب المنفذ الصحيح .
- **يجب فقط القيام بإصلاح الأجهزة الكهربائية من قبل مهندسي صيانة متخصصين .**  
قد تؤدي الإصلاحات غير السليمة إلى مخاطر جسيمة للمستخدم .
- **لا تقم بتوصيل التيار الكهربائي إذا لم يكن المقبض على الوضع OFF (إيقاف التشغيل) .**  
حيث يمكن أن يتسبب ذلك في الإصابة الجسدية أو تلف المنتج (حسب الطراز)
- **ابق الأطفال بعيداً ولاحظ العوائق عند لف السلك لمنع الإصابة الجسدية .**  
يتحرك السلك بسرعة أثناء اللف . (حسب الطراز)
- **يحتوي الخرطوم على أسلاك كهربائية لا تستخدمه إذا كان تالفاً أو مقطوعاً أو مثقوباً**  
حيث يمكن أن يؤدي عدم القيام بذلك إلى الوفاة أو الصدمة الكهربائية (حسب الطراز)

# محتويات الجدول

3	المواصفات
4-5	تعليمات هامة للسلامة
6	كيفية الاستعمال
6-8	تركيب المكنسة الكهربائية
10	تشغيل المكنسة الكهربائية
12	استعمال فوّهة السجاد والأرض
14	استعمال فوّهة جميع الأراضي وفوّهة ميكرو التوربينة
15-16	استعمال الفوهات المساعدة
17	تفريغ علبة الغبار
18	تنظيف علبة الغبار
19	تنظيف فلتر الهواء وفلتر سلامة المحركات
20	تنظيف فلتر العادم
21	ماذا تعمل اذا لم تشتغل المكنسة الكهربائية؟
21	اختبار المقبس الكهربائي وادخال القابس بشكل صحيح .

## المواصفات



الأبعاد: 402(mm) x 259(mm) x 275(mm)  
الارتفاع x العرض x الطول



# دليل الاستعمال

VC4916\*\*\*

VC4918\*\*\*

VC4920\*\*\*

## نوع جديد للمكنسة الكهربائية الاعصارية

- هذه المعلومات تحتوى تعليمات هامة لسلامة استعمال وصيانة المكنسة الكهربائية .
- وخاصة يرجى قراءة جميع المعلومات في الصفحة 4 و 5 من أجل سلامتكم .
- ويرجى احتفاظ هذا الدليل في مكان سهل الوصول ومراجعته في أي وقت .



LG