



OWNER'S MANUAL


Color Video Camera

Please read this manual carefully before operating your set and retain it for future reference.

MODEL
L5213-BN
L5213-BP
L5213-DN

P/NO : MFL63745103 (B)

Important Safety Instructions

1. Read these instructions.
 2. Keep these instructions.
 3. Heed all warnings.
 4. Follow all instructions.
 5. Do not use this apparatus near water.
 6. Clean only with dry cloth.
 7. Do not block any ventilation openings. Install in accordance with the manufacturer's instructions.
 8. Do not install near any heat sources such as radiators, heat registers, stoves, or other apparatus (including amplifiers) that produce heat.
 9. Do not defeat the safety purpose of the polarized or grounding-type plug. A polarized plug has two blades with one wider than the other. A grounding type plug has two blades and a third grounding prong. The wide blade or the third prong are provided for your safety. If the provided plug does not fit into your outlet, consult an electrician for replacement of the obsolete outlet.
 10. Protect the power cord from being walked on or pinched particularly at plugs, convenience receptacles, and the point where they exit from the apparatus.
 11. Only use attachments/accessories specified by the manufacturer.
 12. Use only with the cart, stand, tripod, bracket, or table specified by the manufacturer, or sold with the apparatus. When a cart is used, use caution when moving the cart/apparatus combination to avoid injury from tip-over.
- 
13. Unplug this apparatus during lightning storms or when unused for long periods of time.
 14. Refer all servicing to qualified service personnel. Servicing is required when the apparatus has been damaged in any way, such as power-supply cord or plug is damaged, liquid has been spilled or objects have fallen into the apparatus, the apparatus has been exposed to rain or moisture, does not operate normally, or has been dropped.



CAUTION: TO REDUCE THE RISK OF ELECTRIC SHOCK DO NOT REMOVE COVER (OR BACK) NO USER-SERVICEABLE PARTS INSIDE REFER SERVICING TO QUALIFIED SERVICE PERSONNEL.



This lightning flash with arrowhead symbol within an equilateral triangle is intended to alert the user to the presence of uninsulated dangerous voltage within the product's enclosure that may be of sufficient magnitude to constitute a risk of electric shock to persons.



The exclamation point within an equilateral triangle is intended to alert the user to the presence of important operating and maintenance (servicing) instructions in the literature accompanying the product.

FCC WARNING: This equipment may generate or use radio frequency energy. Changes or modifications to this equipment may cause harmful interference unless the modifications are expressly approved in the instruction manual. The user could lose the authority to operate this equipment if an unauthorized change or modification is made.

REGULATORY INFORMATION: FCC Part 15

This equipment has been tested and found to comply with the limits for a Class A digital device, pursuant to Part 15 of the FCC Rules. These limits are designed to provide reasonable protection against harmful interference when the equipment is operated in a commercial environment. This equipment generates, uses, and can radiate radio frequency energy and, if not installed and used in accordance with the instruction manual, may cause harmful interference to radio communications. Operation of this equipment in a residential area is likely to cause harmful interference in which case the user will be required to correct the interference at his own expense.

- A suitable conduit entries, knock-outs or glands shall be provided in the cable entries of this product in the end user.

- Caution: Danger of explosion if battery is incorrectly replaced. Replaced only with the same or equivalent type recommended by the manufacturer. Dispose of used batteries according to the manufacturer's instructions.
- Holes in metal, through which insulated wires pass, shall have smooth well rounded surfaces or shall be provided with brushings.

This Class A digital apparatus complies with Canadian ICES-003. Cet appareil numérique de la classe A est conforme à la norme NMB-003 du Canada.

Warning: Do not install this equipment in a confined space such as a bookcase or similar unit.

Warning: Wiring methods shall be in accordance with the National Electric Code, ANSI/NFPA 70.

Warning: This is a class A product. In a domestic environment this product may cause radio interference in which case the user may be required to take adequate measures.

Warning: To reduce a risk of fire or electric shock, do not expose this product to rain or moisture.

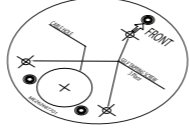
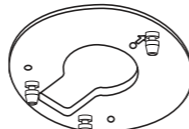

Caution: This installation should be made by a qualified service person and should conform to all local codes.

Caution: To avoid electrical shock, do not open the cabinet. Refer servicing to qualified personnel only.

Caution: The apparatus shall not be exposed to water (dripping or splashing) and no objects filled with liquids, such as vases, shall be placed on the apparatus.

To disconnect power from mains, pull out the mains cord plug. When installing the product, ensure that the plug is easily accessible.

Accessories

Installation sticker	
Camera mounting bracket	
M3 Fixing screws	

Specification

Item	L5213-BP	L5213-BN	L5213-DN
Signal System	PAL	NTSC	
Total Pixels	470 000 Pixels	410 000 Pixels	
Effective Pixels	440 000 Pixels	380 000 Pixels	
Image Device	6 mm Super HAD II CCD		
DSP	XDI-S2		
Lens	2.8 mm to 11 mm Vari-focal lens (F1.4)		
Digital Zoom	X8		
Synchronization System	Internal		
Scanning Frequency (H/V)	15.625 kHz / 50 Hz	15.734 kHz / 59.94 Hz	
Horizontal Resolution	620 TV Lines		
S/N Ratio	52 dB		
Minimum Illumination (30 IRE)	Color mode	0.06 lx (Sens-up OFF, F1.4)	
		0.0001 lx (Sens-up Auto, F1.4)	
	B/W mode	0.006 lx (Sens-up OFF, F1.4)	
		0.000 001 lx (Sens-up x128, F1.4)	
Control Method	Inner Key Button		
Video Output Signal	1 Vp-p Composite (75 Ω)		
Day & Night	Day / Night / Auto		
BACKLIGHT	OFF / BLC / HSBLCL		
DNR	3D-DNR (Off/Low/Middle/High)		

CE LG Electronics hereby declares that this/these product(s) is/are in compliance with the essential requirements and other relevant provisions of Directive 2004/108/EC, 2006/95/EC, and 2009/125/EC.
European representative :
LG Electronics Service Europe B.V.
Veluwezoom 15, 1327 AE Almere,
The Netherlands (Tel : +31-(0)36-547-8888)

Disposal of your old appliance



1. When this crossed-out wheeled bin symbol is attached to a product it means the product is covered by the European Directive 2002/96/EC.
2. All electrical and electronic products should be disposed of separately from the municipal waste stream via designated collection facilities appointed by the government or the local authorities.
3. The correct disposal of your old appliance will help prevent potential negative consequences for the environment and human health.
4. For more detailed information about disposal of your old appliance, please contact your city office, waste disposal service or the shop where you purchased the product.

<For Turkey only>

5. EEE Compliance with Directive. (EEE Yönetmeliğine Uygundur.)

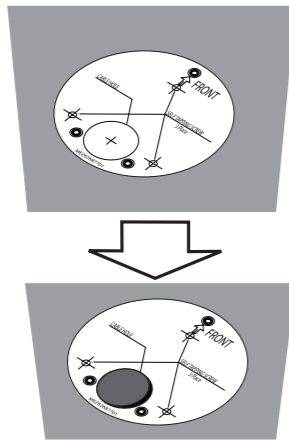


Item	L5213-BP	L5213-BN	L5213-DN
Auto Gain Control	Off / Low / Middle / High		
Electronic Shutter Speed	1/50 to 1/90 000	1/60 to 1/90 000	
Electronic Sensitivity	OFF/Auto		
White Balance	ATW / AWC → PUSH / Manual		
Motion Detection	4 Zones		
Privacy Zone Masking	8 Masks		
Stabilizer(EIS)	On / Off		
User Color Mode	STANDARD/COOL/WARM/VIVID		
Power Source	DC 12 V / AC 24 V	DC 12 V	
Power Consumption	2.8 W	2.2 W	
Operation Temp.	-10 °C to 50 °C		
Storage Temp.	-20 °C to 60 °C		
Operation Humidity	0 % RH to 80 % RH		
Storage Humidity	0 % RH to 85 % RH		
Weight	323 g		
Dimension (Ø x H)	Ø 140 x 87.3 mm		

Installation Guide

1

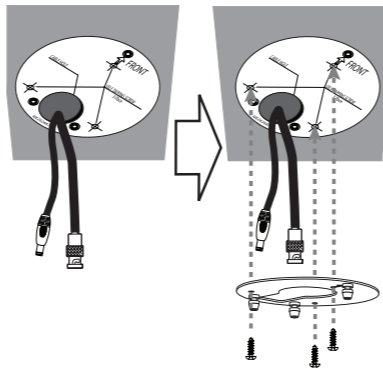
Using the template as a guide, make a hole through the ceiling.



- <TÜRKÇE> Verilen şablonu kılavuz olarak kullanarak, tavanda bir delik açın.
- <DEUTSCH> Markieren Sie mit Hilfe der Vorlage eine Öffnung in der Decke.
- <NEDERLANDS> Maak met behulp van de sjabloon een gat in het plafond.
- <SIOVENČINA> Pomocou šablóny ako vodítka urobte otvor do stropu.
- <PORTUGUÊS> Usando o molde como um guia, faça um furo no teto.
- <עברית> תוך שימוש בתבנית, קדח חור בתקרה.

2

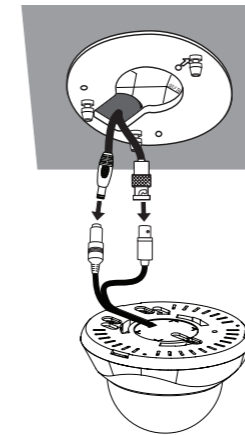
Install the camera mounting bracket to the ceiling.



- <TÜRKÇE> Kamera bağlantı parçasını tavana takın.
- <DEUTSCH> Montieren Sie die Montagehalterung der Kamera an der Decke.
- <NEDERLANDS> Monteer de camerabeugel aan het plafond.
- <SIOVENČINA> Namontujte montážnu prírubu kamery na strop.
- <PORTUGUÊS> Instale o suporte de montagem da câmera no teto.
- <עברית> חבר את מסגרת חיבור המצלמה לתקרה.

3

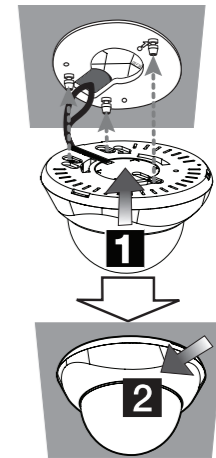
Connect the cables to the cable jacks of the camera body.



- <TÜRKÇE> Kamera kablolarını kamera üzerinde bulunan soketlere yerleştirin.
- <DEUTSCH> Schließen Sie die Kabel an die Anschlüsse am Kameragehäuse an.
- <NEDERLANDS> Bevestig de kabels in de kabelingangen van het camera-huis.
- <SIOVENČINA> Zapojte káble do káblových konektorov na telese kamery.
- <PORTUGUÊS> Conecte os cabos na tomada de cabos do corpo da câmera.
- <עברית> חבר את הכבלים לשקעים המתאימים בגוף המצלמה.

4

Assemble the camera and mounting bracket as illustrated step 1 and 2.

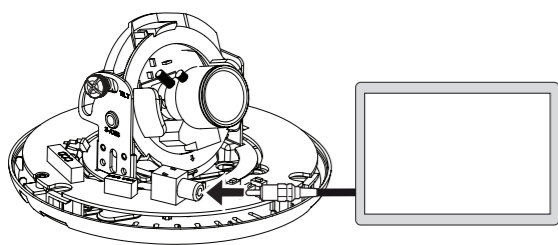


- <TÜRKÇE> Kamerayı ve bağlantı parçasını adım 1 ve 2'de gösterildiği gibi monte edin.
- <DEUTSCH> Befestigen Sie die Kamera wie in Schritt 1 und 2 der Abbildung gezeigt an der Montagehalterung.
- <NEDERLANDS> Bevestig de camera aan de montagebeugel zoals in stap 1 en stap 2 aangegeven.
- <SIOVENČINA> Kameru a montážnu prírubu zmontujte tak ako je zobrazené v kroku 1 a 2.
- <PORTUGUÊS> Monte a câmera e o suporte de montagem conforme mostrado nos passos 1 e 2.
- <עברית> הרכב את המצלמה ואת מסגרת החיבור כפי שמתואר בשלבים 1 ו-2.

Camera Adjustment

1

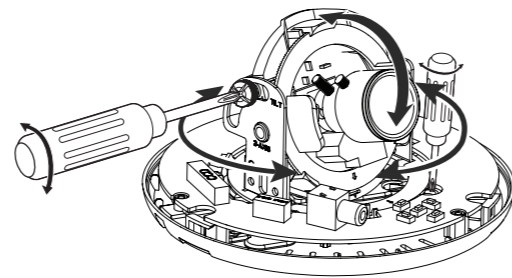
Connect a portable monitor to the video jack.



- <TÜRKÇE> Video soketine taşınabilir bir monitör bağlayın.
- <DEUTSCH> Schließen Sie einen tragbaren Monitor an die Videobuchse an.
- <NEDERLANDS> Sluit een draagbare monitor op de video-uitgang aan.
- <SIOVENČINA> Pripojte prenosný monitor na video konektor.
- <PORTUGUÊS> Conecte o monitor portátil na tomada de vídeo.
- <עברית> חבר צג נייד לשקע הווידאו.

2

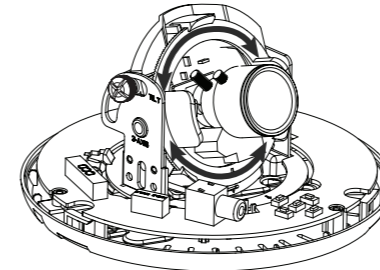
Adjust the Pan/Tilt position of the camera.



- <TÜRKÇE> Kameranın kaydırma ve eğim ayarlarını yapın.
- <DEUTSCH> Stellen Sie die Schwenkung/Neigung der Kamera ein.
- <NEDERLANDS> Stel de horizontale en verticale stand (Pan/Tilt) van de camera in.
- <SIOVENČINA> Nastavte na kamere miesto sledovanja/sklon.
- <PORTUGUÊS> Ajuste as posições de Pan/Inclinar da câmera.
- <עברית> כוון את זווית הסיבוב האופקי/אנכי (pan/tilt) של המצלמה.

3

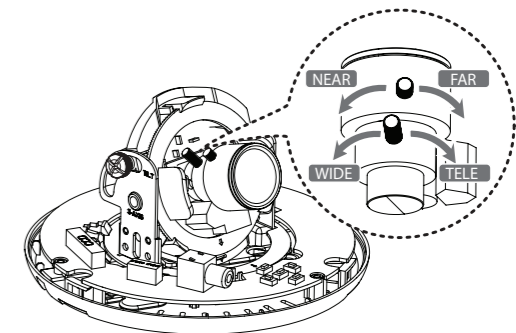
Adjust the azimuth angle.



- <TÜRKÇE> Azimut açısını ayarlayın.
- <DEUTSCH> Stellen Sie den Richtungswinkel der Kamera ein.
- <NEDERLANDS> Stel de azimuthoek in.
- <SIOVENČINA> Nastavte uhol azimutu.
- <PORTUGUÊS> Ajuste o ângulo de fundo.
- <עברית> כוון את זווית האזימוט.

4

Adjust the zoom and focus.



- <TÜRKÇE> Yakınlaştırma/Uzaklaştırma ve odaklama ayarlarını yapın.
- <DEUTSCH> Stellen Sie Zoom und Fokus der Kamera ein.
- <NEDERLANDS> Stel de zoomstand en de scherpstelling van de camera in.
- <SIOVENČINA> Nastavte zoom a zaostrenie.
- <PORTUGUÊS> Ajuste o zoom e o foco.
- <עברית> כוון את הזום ואת המיקוד.