



# OWNER'S MANUAL

# VACUUM CLEANER

Please read this manual carefully before operating your set and retain it for future reference.

LuV200R

# CONTENTS

## 1 IMPORTANT SAFETY INFORMATIONS

---

- 3 IMPORTANT SAFETY INFORMATIONS

## 2 PARTS AND FEATURES

---

- 5 PARTS AND FEATURES

## 3 ASSEMBLY

---

- 6 Unpacking the Vacuum Cleaner
- 6 Assembly Parts
- 7 Attaching handle
- 7 Attaching the Hose
- 8 Accessory Storage
- 8 Cord storage

## 4 OPERATION

---

- 9 Control Operation
- 9 Body Release Operation
- 10 Adjusting the Pile Height
- 11 Accessory
- 11 Accessory Use Chart
- 12 Installing Attachments
- 12 Tips and Tricks
- 12 Using the Pet hair turbine tool
- 12 Stairways and Landings
- 13 Agitator Motor Overload Protection
- 13 Thermal Overload Protection

## 5 CARE & CLEANING

---

- 14 Storing the Vacuum Cleaner
- 14 Dust Tank Components
- 15 Emptying the Dust Tank
- 15 Cleaning the Dust Tank
- 16 Cleaning the Foam Pre Filter
- 16 Cleaning the HEPA Filter
- 17 Pet Hair Turbine tool
- 17 Agitator Maintenance
- 18 Replacing the Agitator Belt
- 19 Removing Clogs
- 20 Cleaning the Exterior of the Vacuum Cleaner

## 6 TROUBLESHOOTING

---

- 21 TROUBLESHOOTING

# IMPORTANT SAFETY INFORMATIONS

When using an electrical appliance, basic precautions should always be followed, including the following:

## READ ALL INSTRUCTIONS BEFORE USE

### IMPORTANT SAFETY INSTRUCTIONS

Read and follow all instructions before using your Vacuum cleaner to prevent the risk of fire, electric shock, personal injury, or damage when using the Vacuum cleaner. This guide do not cover all possible conditions that may occur. Always contact your service agent or manufacturer about problems that you do not understand. This appliance complies with the following EC Directives:-2006/95/EC, Low Voltage Directive-2004/108/EC EMC Directive.



**This is the safety alert symbol. This symbol alerts you to potential hazards that can kill or hurt you and others. All safety messages will follow the safety alert symbol and either the word “WARNING” or “CAUTION”.**



### WARNING

**This symbol will alert you to hazards or unsafe practices which could cause serious bodily harm or death.**



### CAUTION

**This symbol will alert you to hazards or unsafe practices which could cause bodily injury or property damage.**



### WARNING

**- To reduce the risk of fire, electric shock, or injury:**

- **Disconnect electrical supply before servicing or cleaning the unit or when cleaner is not in use.**

Failure to do so could result in electrical shock or personal injury.

- **Do not use vacuum cleaner to pick up anything that is burning or smoking such as cigarettes, or hot ashes.** Doing so could result in death, fire or electrical shock.

- **Do not vacuum flammable or explosive substances such as gasoline, benzene, thinners, propane (liquids or gases).**

The fumes from these substances can create a fire hazard or explosion. Doing so could result in death or personal injury.

- **Do not handle plug or vacuum cleaner with wet hands.** Doing so could result in death or electrical shock.

- **Do not unplug by pulling on cord.**

Doing so could result in product damage or electrical shock. To unplug, grasp the plug, not the cord.

- **Keep hair, loose clothing, fingers, and all parts of the body away from openings and moving parts.**

Failure to do so could result in electrical shock or personal injury.

- **Do not pull or carry by cord, use cord as a handle, close a door on cord, or pull cord around sharp edges or corners. Do not run vacuum cleaner over cord. Keep cord away from heated surfaces.**

Failure to do so could result in electrical shock or personal injury or fire or product damage.

- **Do not allow to be used as toy. Close attention is necessary when used by or near children.**

Personal injury or product damage could result.

- **Do not use the vacuum cleaner if the power cord or plug is damaged or faulty.**

Personal injury or product damage could result. In these cases, contact LG Electronics Service Agent to avoid hazard.

- **Do not use vacuum cleaner if it has been under water.** Personal injury or product damage could result. In these cases, contact LG Electronics Service Agent to avoid hazard.

- **Do not continue to vacuum if any parts appear missing or damaged.**

Personal injury or product damage could result. In these cases, contact LG Electronics Service Agent to avoid hazard.

- **Do not use an extension cord with this vacuum cleaner.**

Fire hazard or product damage could result.

- **Using proper voltage.**

Using improper voltage may result in damage to the motor and possible injury to the user. Proper voltage is listed on the bottom of vacuum cleaner.

- **Turn off all controls before unplugging.**

Failure to do so could result in electrical shock or personal injury.

- **Do not change the plug in any way.**

Failure to do so could result in electrical shock or personal injury or product damage. Doing so result in death. If plug does not fit, contact a qualified electrician to install the proper outlet.

- **Use extra care when cleaning or stairs.**

- **Do not leave appliance when plugged in. Unplug from outlet when not in use and before servicing.**

- **Hold plug when rewinding onto cord reel. Do not allow plug to whip when rewinding.**

# IMPORTANT SAFETY INFORMATIONS

## WARNING

- **Repairs to electrical appliances may only be performed by qualified service engineers.**  
Improper repairs may lead to serious hazards for the user.
- **Do not put fingers near the gear.**  
Failure to do so could result in personal injury.
- **Do not use out doors or on wet surfaces.**  
Failure to do so could result in electrical shock or personal injury.
- **Do not put anything, between Vacuum cleaner body and agitator head space.**  
Personal injury or product damage or living thing's damage could result.
- **The cords, wires and/or cables supplied with this product contain chemicals, including lead or lead compounds, known to the state of California to cause cancer and birth defects or other reproductive harm. Wash hands after using.**

## CAUTION

- **Do not put any objects into openings.**  
Failure to do so could result in product damage.
- **Do not use with any opening blocked: keep free of dust, lint, hair and anything that may reduce air flow.**  
Failure to do so could result in product damage.
- **Do not use vacuum cleaner without dust tank and/or filters in place.**  
Failure to do so could result in product damage.
- **Always clean the dust tank after vacuuming carpet cleaners or fresheners, powders and fine dust.**  
These products clog the filters, reduce airflow and can cause damage to the cleaner. Failure to clean the dust tank could cause permanent damage to the cleaner.
- **Do not use vacuum cleaner to pick up sharp hard objects, small toys, pins, paper clips, etc.**  
They may damage the cleaner or dust tank.
- **Store the vacuum cleaner indoors.**  
Put the vacuum cleaner away after use to prevent tripping over it.
- **This appliance is not intended for use by persons (including children) with reduced physical, sensory or mental capabilities, or lack of experience and knowledge, unless they have been given supervision or instruction concerning use of the appliance by a person responsible for their safety.**  
Children should be supervised to ensure that they do not play with the appliance.
- **Only use parts produced or recommended by LG Electronics Service Agents.**  
Failure to do so could result in product damage.
- **Use only as described in this manual. Use only with LG recommended or approved attachments and accessories.**  
Failure to do so could result in personal injury or product damage.
- **To avoid personal injury and to prevent the machine from falling when cleaning stairs, always place it at the bottom of stairs.**  
Failure to do so could result in personal injury or product damage.
- **Use accessory nozzles in sofa mode.**  
Failure to do so could result in product damage.
- **Make sure the filters (exhaust filter and motor safety filter) are completely dry before replacing in the machine.**  
Failure to do so could result in product damage.
- **Do not dry the filter in an oven or microwave.**  
Failure to do so could result in fire hazard.
- **Do not dry the filter in a clothes dryer.**  
Failure to do so could result in fire hazard.
- **Do not dry near an open flame.**  
Failure to do so could result in fire hazard.
- **Always turn vacuum cleaner off before connecting or disconnecting the hose.**  
Personal injury or product damage could result.
- **Proper assembly and safe use of your vacuum cleaner are your responsibilities.**

## SAVE THESE INSTRUCTIONS

### Thermal protector :

This vacuum cleaner has a special thermostat that protects the vacuum cleaner in case of motor overheating. If the vacuum cleaner suddenly shuts off, turn off the switch and unplug the vacuum cleaner. Check the vacuum cleaner for possible source of overheating such as a full dust tank, a blocked hose or clogged filter. If these conditions are found, fix them and wait at least 30 minutes before attempting to use the vacuum cleaner. After the 30 minute period, plug the vacuum cleaner back in and turn on the switch. If the vacuum cleaner still does not run, contact a qualified electrician.

# PARTS AND FEATURES

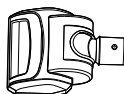
It is important to know your vacuum cleaner's parts and features to assure its proper and safe use. Review these before using your vacuum cleaner.

## Common Replacement Parts

HEPA Filter		ADQ72913302
Foam Pre Filter (ADV72987202)	Filter Frame	MDQ62256901
	Foam Filter	MDJ61980603
Agitator Belt		MAS61843401

To order these parts contact  
LG Service

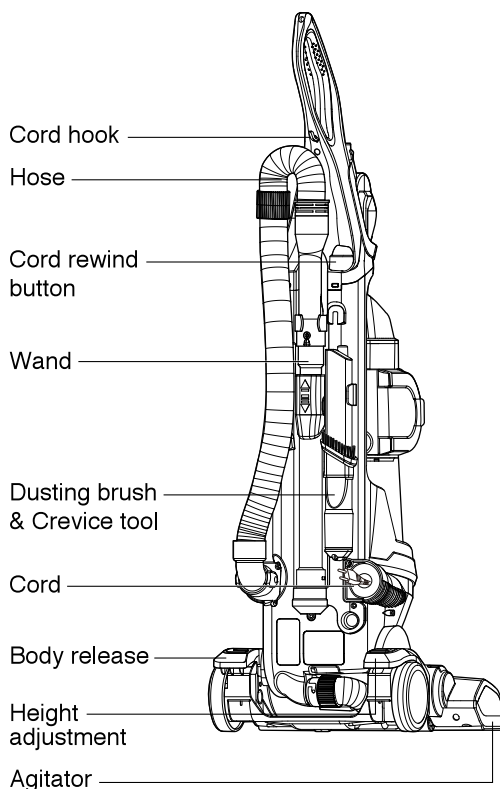
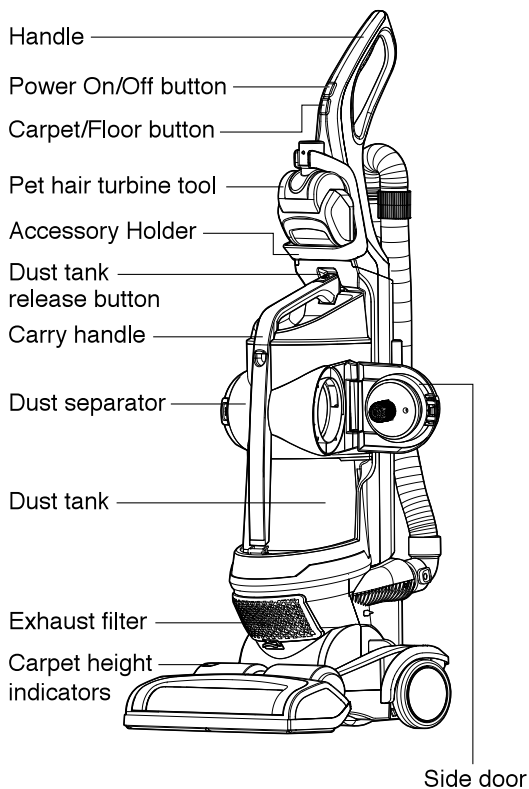
## Accessory Tools



Pet hair turbine tool



Dusting brush & Crevice tool



# ASSEMBLY

To reduce the risk of shipping damage, your vacuum cleaner is shipped partially unassembled.

## Unpacking the Vacuum Cleaner

Carefully unpack the vacuum cleaner and make sure that you have all parts before discarding of any packaging.

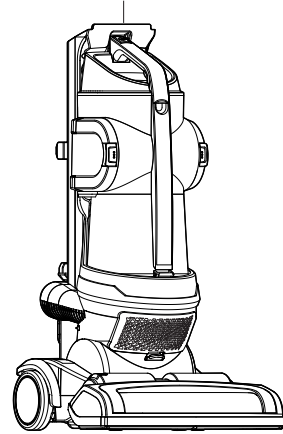
Remove any tape, cardboard inserts and protective film before assembly.

Items that are packed in the box:

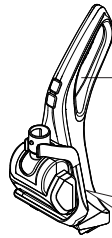
1. Vacuum Cleaner Body
2. Handle with Pet hair turbine tool
3. Dusting Bush & Crevice Tool
4. Adjustable Wand
5. Hose
6. Handle attachment screw
7. Additional Foam Filter

## Assembly Parts

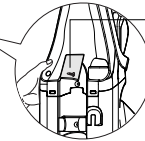
1. Vacuum Cleaner Body



2. Handle with Pet hair turbine tool



6. Handle attachment screw



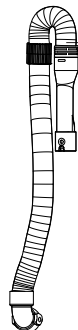
3. Dusting Brush & Crevice Tool



4. Adjustable wand



5. Hose

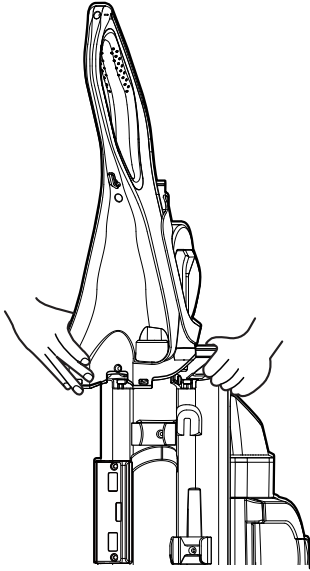


7. Additional Foam Filter



## Attaching handle

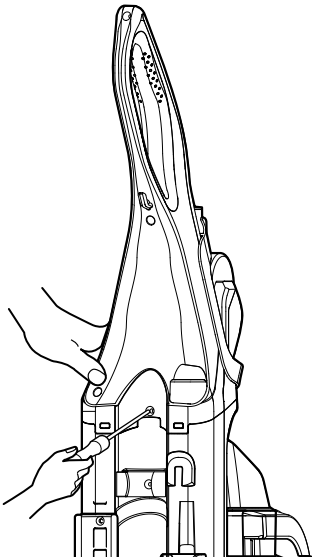
1. Slide handle onto the main body.



2. Insert screw into the back side of the handle and tighten using a Phillips head screwdriver.

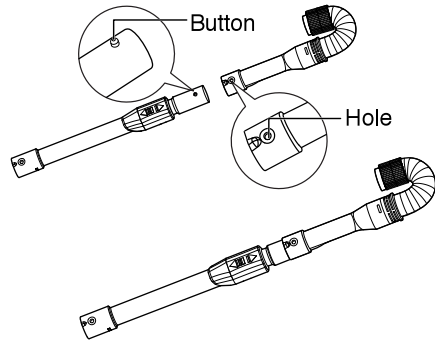
### **WARNING**

Tighten screw as much as you can.  
Personal injury or product damage  
can occur.

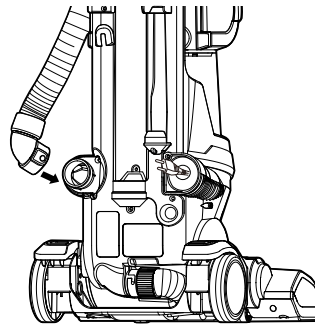


## Attaching the Hose

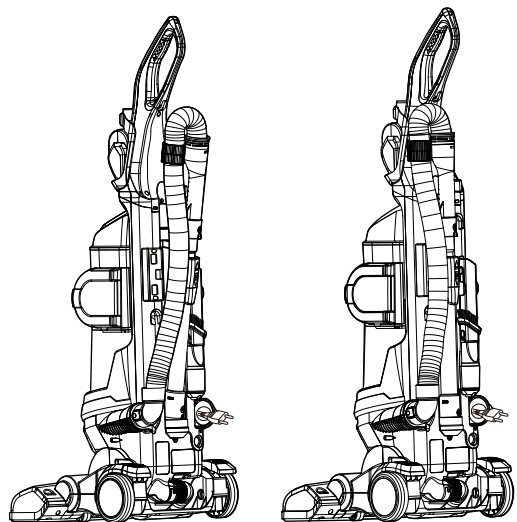
1. Insert the wand into the handle hose.



2. Attach the opposite side of the hose onto the main body.



3. Align the hose with the holder on the side of the vacuum and place the end of the wand onto the main body.



# ASSEMBLY

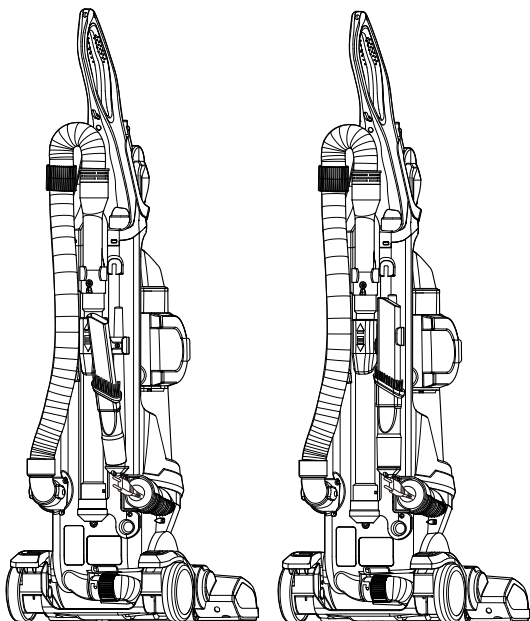
## **⚠ WARNING**

**Personal Injury and Product Damage Hazard!**  
**DO NOT use outlets above counters.**  
Damage to items in the surrounding area could occur.

### **Accessory Storage**

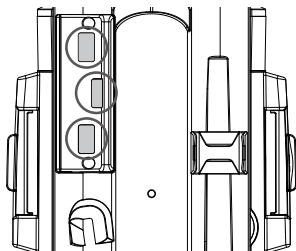
Your vacuum cleaner features convenient on-board storage for the Dusting bush & Crevice tool.

- Insert the Dusting bush & Crevice tool onto the main body.



## **⚠ CAUTION**

**Hose storage consist of three strong magnetic.**  
**Keep away electronic equipment or dangerous steel things from hose storage.**



### **Cord Storage**

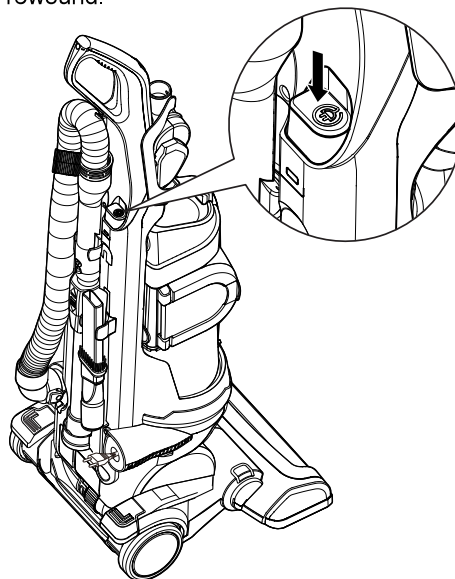
#### **To release the cord:**

Grasp the plug and pull cord to desired cord length.

#### **To store the cord:**

Hold plug and press on the cord rewind button on the rear side of handle.

To prevent cord from whipping, hold plug until cord is rewound.



**NOTE:** To reduce the risk of electric shock, this appliance has a polarized plug (one blade is wider than the other).

This plug will fit in a polarized outlet only one way. If the plug does not fit fully in the outlet, reverse the plug.

If it still does not fit, contact a qualified electrician to install the proper outlet.

Do not change the plug in any way.



## WARNING

### Personal Injury Hazard

Do not set the vacuum on the stairs, always keep the unit on the floor.

## Control Operation

### 1. Power On/Off:

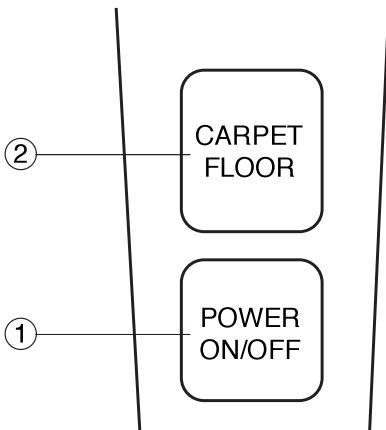
To turn the vacuum on and off.

### 2. Carpet/Floor:

To toggle between the agitator being on or off.

**Note:** Carpet = Agitator on, Floor = Agitator off

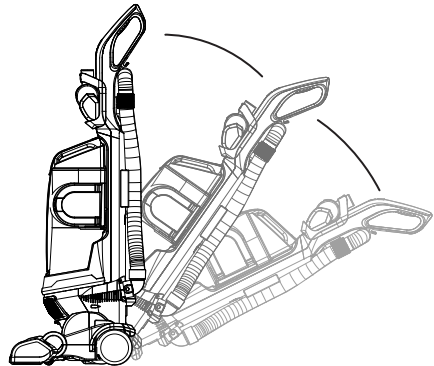
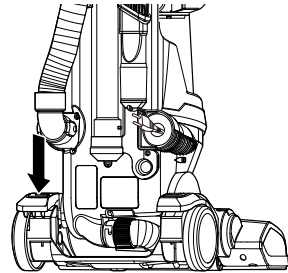
The agitator will not spin when the Vacuum is in the upright position.



## Body Release Operation

- To begin vacuuming, press the pedal on the left side of the vacuum release.

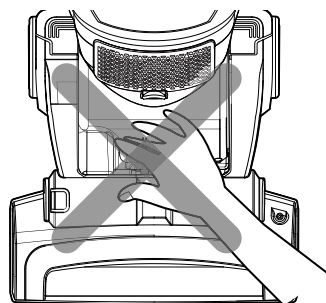
**NOTE:** When the vacuum is in the upright position the agitator will not run.



## WARNING

Do not place anything between the main body and vacuum head.

Personal injury or product damage can occur.

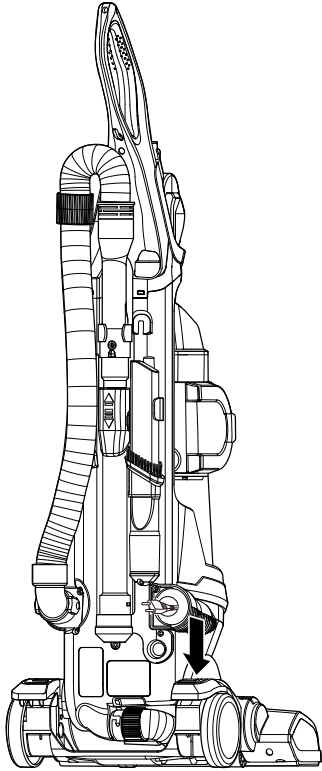


# OPERATION

## Adjusting the Pile Height

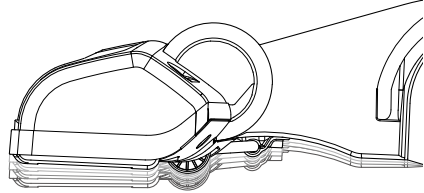
### To adjust the pile height:

When it is necessary to raise and lower the front of the vacuum for various carpet pile heights, press the right foot pedal to adjust the pile height. Each press will raise the agitator one notch.



### Suggested pile height settings:

You may need to raise the height to make some jobs easier, such as vacuuming area rugs and longer pile rugs.



For maximum cleaning performance, the following carpet height settings are recommended:

- L - for all types of carpet
- Higher settings - for very deep pile carpet where easier pushing effort is desired, while maintaining good cleaning performance.

There are 4 settings:

- H = High**
- M = Medium**
- ML = Medium Low**
- L = Low**

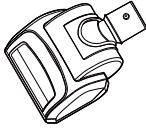
**NOTE:** If the vacuum is difficult to push, press the Height adjustment to the next higher setting.

**Attention:** Special care is required when vacuuming certain types of carpet or flooring. Always check the carpet or floor covering manufacturer's recommended cleaning instructions before vacuuming.

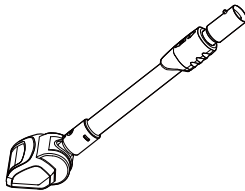
## Accessory

### Pet hair turbine tool

This air-turbine powered brush is great for stairs and interiors, as well as removing pet hair, lint, etc. from fabrics and carpets.



Do NOT use on pets.



### Dusting Brush

Use the dusting brush in place for cleaning furniture, walls, etc.


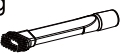



### Crevice Tool

The crevice tool can be used for tight corners, between cushion and various other hard to reach places.



## Accessory Use Chart

ACCESSORY	CLEANING AREA						
	Between Cushions	Upholstered Surfaces*	Furniture and Hard Surfaces*	Drapes*	Stairs Cushions	Carpeted Floors/Rugs	Walls
Pet hair turbine tool 	●	●			●		
Dusting Brush 	●	●	●	●		●	●
Crevice Tool 	●						

\* Always make sure attachments are clean before using on fabrics.

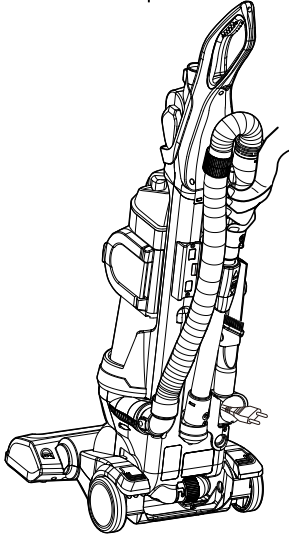
# OPERATION

## Installing Attachments

### Using the Wand and Hose

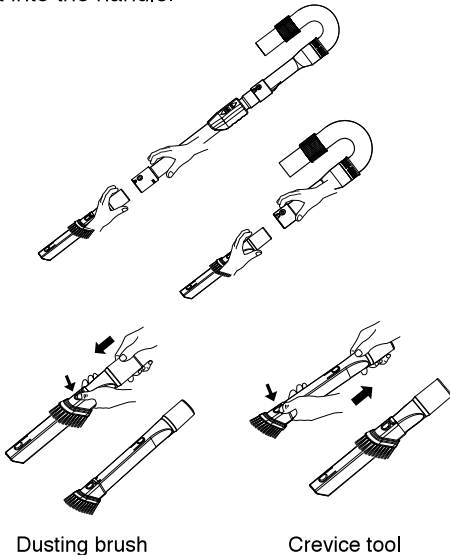
Release the wand and hose

1. Hold the wand on the body and tilt the wand.
2. Lift the wand out and up.



### Using the Crevice tool

Slide the crevice tool over the end of the wand or fit it into the handle.



## Tips and Tricks

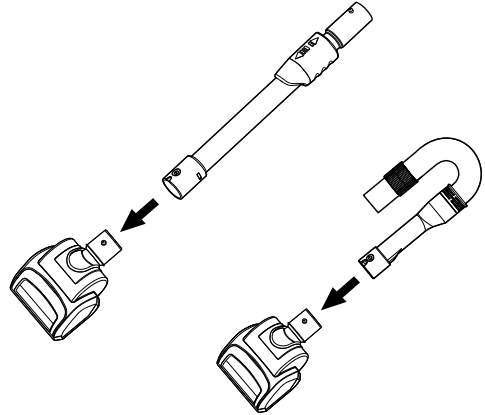
### Carpet Edges and Corners

For tight corners, carpet edges and along base boards, use the dusting brush.

Use the crevice tool for especially hard to reach areas.

## Using the Pet hair turbine tool

The Pet hair turbine tool attaches to the wand like the other attachments. It features air-turbine powered brush to provide extra cleaning power on carpets and fabrics. It is great for cleaning stairs, cushions and vehicle upholstery.



When using the Pet hair turbine tool, check frequently for the buildup of hair, fibers, lint and other debris in the brush area.

Excessive buildup can reduce performance and could damage the Pet hair tool.

See the Care and Cleaning section for cleaning instructions.

## Stairways and Landings

Use the Crevice or Pet hair turbine tool on stairs and landings. Make sure that the vacuum cleaner is placed so that it cannot tip or fall.

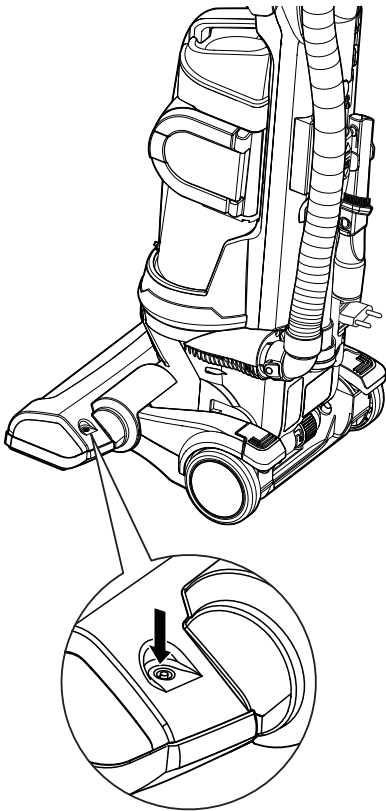
See page 11 for instructions on selecting and using attachments.

## Agitator Motor Overload Protection

The agitator has a built-in protection against motor damage should the agitator jam.

If the agitator slows down or stops, the agitator overload protector shuts off the agitator motor. The suction motor will remain on at this time.

**To correct problem:** Turn off and unplug vacuum cleaner, remove obstruction and press the reset button.



## Thermal Overload Protection

This vacuum cleaner has a thermal overload protector which automatically activates to protect the vacuum cleaner from overheating. If a clog disturbs the normal flow of air to the motor, the thermal protector turns the motor off automatically to allow the motor to cool in order to prevent possible damage to the vacuum cleaner.

**To correct the problem:** Turn the vacuum cleaner off and unplug the power cord.

Check for and remove clogs, if necessary.

Also check and clean any dirty filters.

Wait approximately 30 minutes and plug the vacuum cleaner in and turn back on to see if the motor protector has reset.

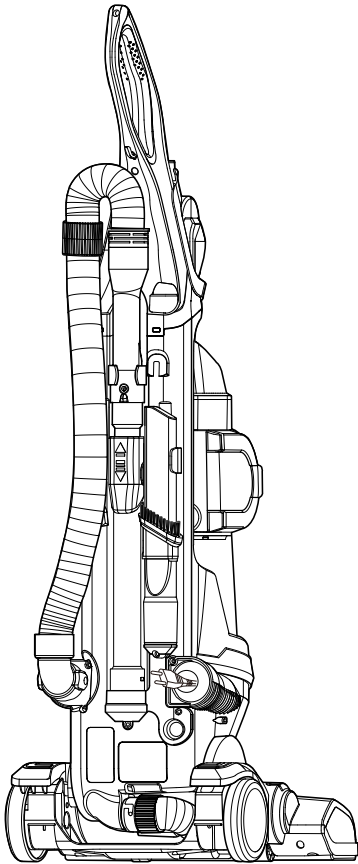
The thermal protector system will not reset until the vacuum cleaner has completely cooled down.

# CARE & CLEANING

Always follow all safety precautions when cleaning and servicing the vacuum cleaner.

## Storing the Vacuum Cleaner

When not in use, press on the cord rewind button to store the cord. Store the dusting brush & crevice tool in their proper place on the back of the vacuum cleaner.



## Dust Tank Components

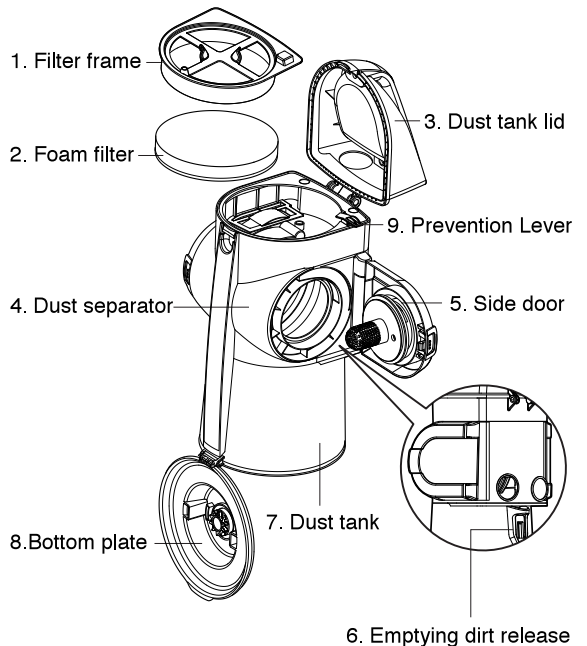
The dust tank consists of several key components. Always make sure that all parts are properly reinstalled after emptying the dust tank.

**NEVER operate the vacuum cleaner without all filters in place!**

**NEVER operate the vacuum cleaner with wet filters or components!**

### Key components

- 1~2. Foam Pre Filter:**  
Captures medium to fine particles.  
It consists of Filter frame & Foam Filter.  
These are washable.
- 3. Dust tank lid:**  
Open to access Foam pre filter.
- 4. Dust separator:**  
Separate dust from air coming in.
- 5. Side door:**  
Open to remove dirt from dust separator.
- 6. Emptying dirt release:**  
Press down to open the bottom plate.
- 7. Dust tank:**  
Where dirt is collected.
- 8. Bottom plate:**  
Open to empty the dust tank.
- 9. Prevention Lever:**  
Prevent using without Foam pre filter.

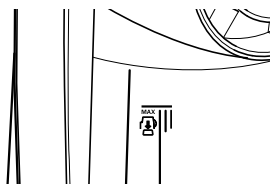


## Emptying the Dust Tank

### **⚠ WARNING**

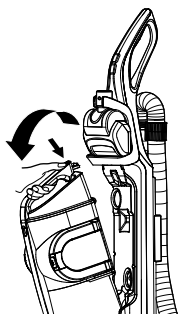
**Electrical shock and personal injury hazard. Always unplug power cord from electrical outlet before performing any service on vacuum cleaner. Failure to do so could result in electrical shock or personal injury from vacuum cleaner suddenly starting.**

For best performance, always empty the dust tank when the dirt level reaches the MAX line.



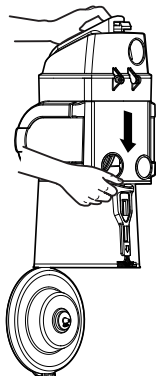
### **TO REMOVE DUST TANK:**

Press the dust tank release button, tilt the dust tank back, then lift it out of the vacuum cleaner.



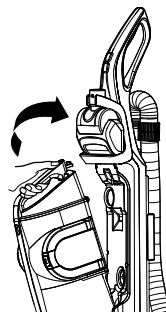
### **TO EMPTY DUST TANK:**

Press the emptying dirt release and open the bottom plate, as shown.



### **TO REINSTALL THE DUST TANK:**

Place it in the holder, then tilt forward until it clicks into place. Make sure the dust tank is properly seated!



**Warning:** Do not touch the gears or switches located on the main body below the dust bin.

### **Cleaning the Dust Tank**

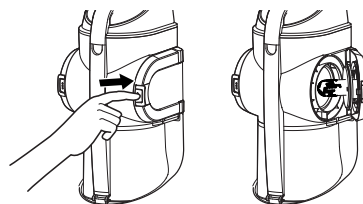
For optimal performance, check filters regularly and clean when necessary.

#### **To Clean the Dust Tank:**

1. Remove the dust tank from the vacuum cleaner.
2. Press the dirt release and open the bottom plate.
3. Wipe out the dust tank with a soft cloth or paper towel.



4. Release the latch on the Side door on both the right and left sides.



5. Remove any hair, fibers or other debris from the dust separator.  
Do not remove the cones attached to the side door for cleaning.

**NEVER operate the vacuum cleaner with wet filters or components!**

# CARE & CLEANING

## Cleaning the Foam Pre Filter

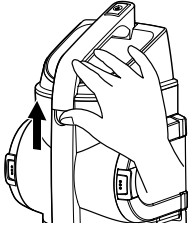
### CAUTION

A wet filter can cause permanent damage to the vacuum cleaner.  
Be sure filters are completely dry before reinstalling.

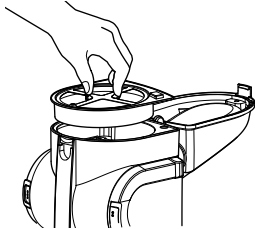
For optimal performance, check the filters every 3 months and clean when necessary.  
Don't close the dust tank lid without the Foam Filter.

#### To Clean the Foam pre filter:

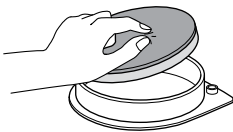
1. Remove the dust tank from the vacuum cleaner.
2. Lift up on the dust tank lid release and open the lid.



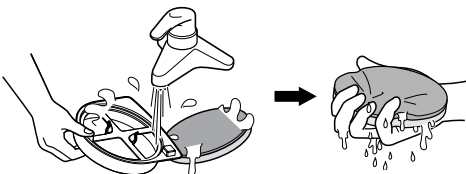
3. Lift out the Foam pre filter.



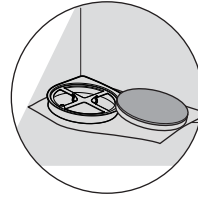
4. Separate the foam filter from the filter frame.



5. Shake out any excess dirt or debris and rinse the foam filter & filter frame with clean water.



6. Dry completely away from sunlight.



### **NEVER** operate the vacuum cleaner with wet filters or components!

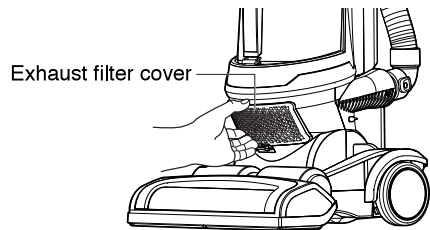
If you notice a loss of suction and cleaning the Foam filter does not help, you need to replace the Foam filter. You can purchase additional foam filters from LG and asking for parts on page 5.

## Cleaning the HEPA Filter

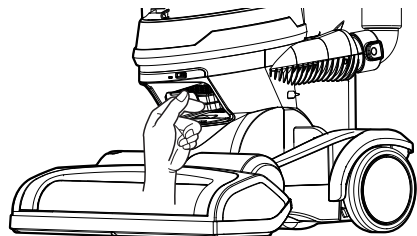
For optimal performance, check the filter every 6 months and clean when necessary.

#### To Clean the HEPA Filter:

1. Remove the exhaust filter cover.



2. Lift out the filter by pressing the hook.





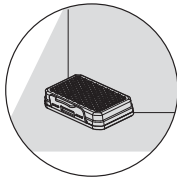
3. Wash the filter cleanly in flowing water.



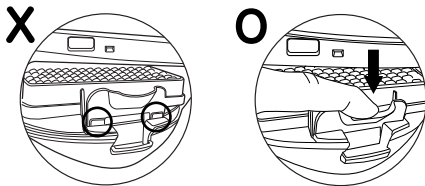
4. Remove moisture.



5. Dry completely away from sunlight.



6. Make sure to push down on the filter until it locks in place before closing the exhaust filter cover.



## Pet Hair Turbine tool

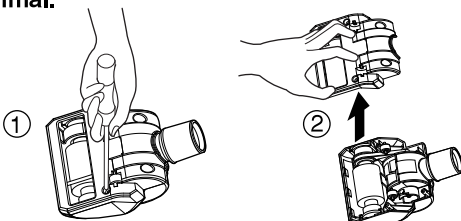
### To clean the Pet hair turbine tool

1. Remove the four screws on the bottom of the Pet hair turbine tool.
2. Lift off the cover.
3. Remove any debris.

### To reassemble:

4. Carefully press cover onto tabs until they snap into place.
5. Insert and tighten screws removed in Step 1. **Do NOT overtighten the screws.**

**Do Not use the pet hair turbine tool on any animal.**



## Agitator Maintenance

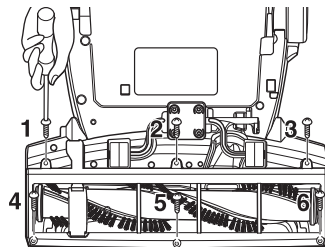
### ⚠ WARNING

**Electrical shock and personal injury hazard. Always unplug the vacuum cleaner before servicing. Failure to do so could result in electrical shock or personal injury.**

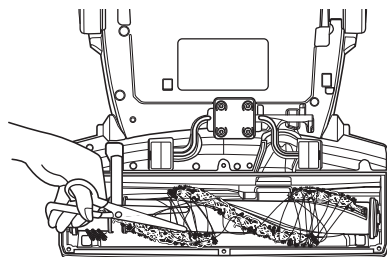
Frequently check the agitator brush area for hair, string and lint buildup.

### Remove the Agitator Brush Cover:

1. Unplug the vacuum cleaner. Press the left foot pedal to release the head. Lower the handle until the vacuum cleaner is lying flat on the floor.
2. Turn the vacuum cleaner over, so that the agitator is facing up.
3. Set the agitator on a cloth or a smooth surface. Remove the six screws on the bottom of the head and remove the cover.



4. Carefully remove any accumulated string, hair, etc. from the agitator and the agitator area. To reinstall the cover. Reverse the steps above.



# CARE & CLEANING

## Replacing the Agitator Belt

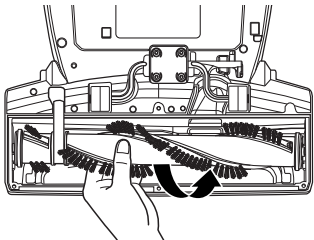
### **WARNING**

**Electrical shock and personal injury hazard. Always unplug the vacuum cleaner before servicing. Failure to do so could result in electrical shock or personal injury.**

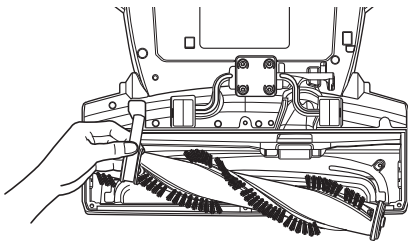
If the belt breaks, follow the steps below to replace the agitator belt.

### To Replace the Belt:

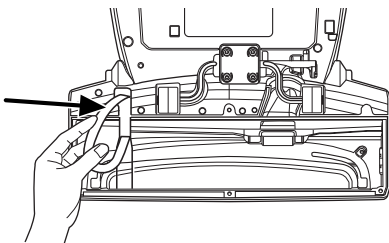
1. Remove the agitator brush cover as described on page 17.
2. Lift the agitator straight out.



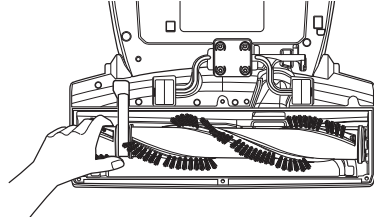
3. Unhook the old belt from the drive pulley. Make sure no pieces of the broken belt are trapped in the agitator or drive pulley area.



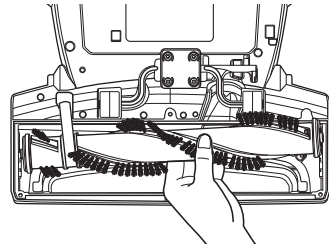
4. Hook the new belt over drive pulley of agitator motor.



5. Fit the agitator through the belt, making sure the belt is aligned with the pulley section of the agitator.



6. Lower the agitator into place, making sure the oval shaped tabs fit into the indents on the head.



7. Reinstall the agitator brush cover as described above.

For a replacement belt, order LG service center belt part # MAS61843401.

## Removing Clogs

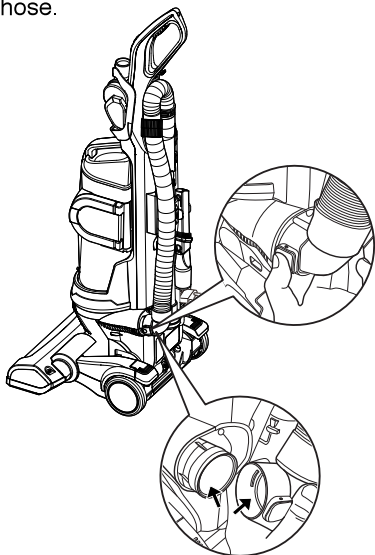
### **⚠ WARNING**

**Electrical shock and personal injury hazard. Always unplug the vacuum cleaner before servicing. Failure to do so could result in electrical shock or personal injury.**

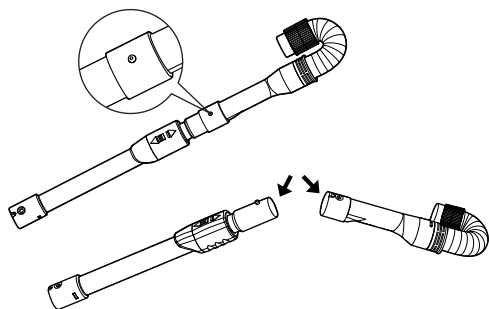
If you notice a loss in suction, first check the filters as described on pages 16 and 17. If the filters are clean, there may be a clog. The arrows show areas where clogs are most likely to occur.

#### To check for clogs:

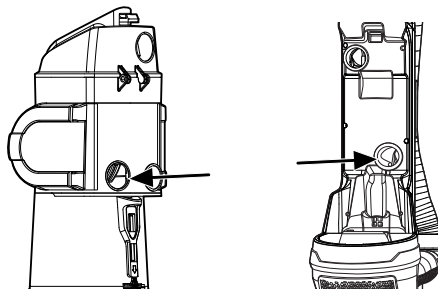
1. Check the hose where it connects to back of the body by pressing the two buttons on the end of the hose.



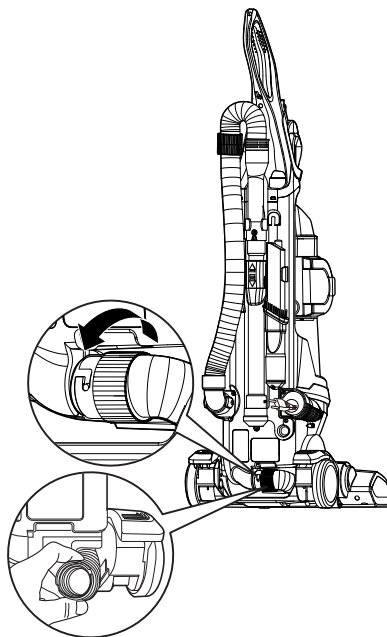
2. Release the hose assembly from the vacuum cleaner. Separate the hose and wand by pressing the button on the top of wand and check the hose and wand for clogs.



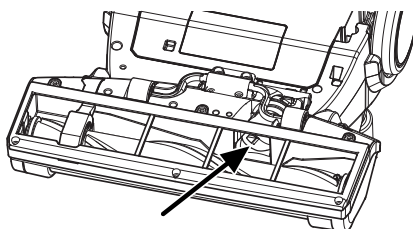
3. Remove the dust tank and check the dust tank inlet and body inlet where it connects to the vacuum cleaner body.



4. Check the hose where it connects body to head by turning the connector on the bottom of the body.



5. Turn the vacuum cleaner over, Check the agitator inlet.



# CARE & CLEANING

## Cleaning the Exterior of the Vacuum Cleaner

### **WARNING**

**Electrical shock and personal injury hazard. Always unplug the vacuum cleaner before servicing. Failure to do so could result in electrical shock or personal injury.**

Wipe the exterior of the vacuum cleaner with a clean, soft cloth that has been dipped in water and wrung dry.

DO NOT allow water to enter any openings in the vacuum cleaner.

DO NOT clean tools in dishwasher or clothes washer. Wash tools in warm soapy water, rinse and allow to air dry completely.

DO NOT use tools if they are wet.

# TROUBLESHOOTING

Review this chart to find do-it-yourself solutions for minor performance problems. Any service or repair needed, other than as described in this User's Guide, should be performed through your local LGE service center.

## WARNING

**Electrical shock and personal injury hazard.**  
**Always unplug the vacuum cleaner before servicing.**  
**Failure to do so could result in electrical shock or personal injury.**

PROBLEM	POSSIBLE CAUSE	POSSIBLE SOLUTION
<b>Vacuum cleaner will not run</b>	<ul style="list-style-type: none"> <li>• Unplugged at wall outlet.</li> <li>• Agitator motor overload protection activated.</li> <li>• Thermal overload protection activated.</li> </ul>	<ul style="list-style-type: none"> <li>• Make sure cord is plugged into a functioning outlet.</li> <li>• Unplug the vacuum cleaner and check the agitator for obstructions and reset the unit. [See Page 13]</li> <li>• Allow the vacuum cleaner to cool down. [See page 13]</li> </ul>
<b>Poor dirt pickup</b>	<ul style="list-style-type: none"> <li>• Full or clogged dust tank.</li> <li>• Dust tank improperly installed.</li> <li>• Clogged hose or wand.</li> <li>• Belt broken/not installed properly.</li> <li>• Agitator motor overload protection activated.</li> <li>• Hole in hose.</li> <li>• Worn agitator.</li> </ul>	<ul style="list-style-type: none"> <li>• Empty dust tank and clean filters. [See page 15,16,17]</li> <li>• Make sure all dust tank components and filters are installed correctly.</li> <li>• Check for clogs. [See page 19]</li> <li>• Check belt and replace if needed. [See page 18]</li> <li>• Unplug the vacuum cleaner and check the agitator for obstructions. Press the reset button. [See page 13]</li> <li>• Inspect hose carefully. Replace if needed.</li> <li>• Contact service.</li> </ul>
<b>Agitator does not turn</b>	<ul style="list-style-type: none"> <li>• Switch is off. (unit is in bare floor mode)</li> <li>• Cleaner is in upright position.</li> <li>• Agitator motor overload protection is tripped. (brush is jammed)</li> <li>• Belt is broken.</li> </ul>	<ul style="list-style-type: none"> <li>• Turn on agitator power switch. [See page 9]</li> <li>• Press the Body release and tilt unit back. [See page 9]</li> <li>• Unplug the vacuum cleaner and check the agitator for obstructions and reset the unit. [See Page 13]</li> <li>• Replace belt. [See page 17,18]</li> </ul>

# TROUBLESHOOTING

PROBLEM	POSSIBLE CAUSE	POSSIBLE SOLUTION
<b>Dust escapes the dust tank</b>	<ul style="list-style-type: none"> <li>• Dust tank improperly installed.</li> <li>• The dust tank lid not closed.</li> <li>• The bottom plate is not latched.</li> </ul>	<ul style="list-style-type: none"> <li>• Make sure all dust tank components and filters are installed correctly.</li> <li>• Check the dust tank lid.</li> <li>• Make sure the bottom plate is closed and latched.</li> </ul>
<b>Cleaner picks up moveable rugs or is hard to push</b>	<ul style="list-style-type: none"> <li>• Wrong pile height setting.</li> </ul>	<ul style="list-style-type: none"> <li>• Adjust pile height. [See page 10]</li> </ul>
<b>Agitator on Pet hair turbine tool will not run when attached</b>	<ul style="list-style-type: none"> <li>• Dirty agitator or agitator supports.</li> <li>• Obstruction in turbine air path.</li> <li>• Low suction from vacuum cleaner.</li> </ul>	<ul style="list-style-type: none"> <li>• Clean the inside of the pet hair turbine tool. [See page 17]</li> <li>• Clean the inside of the pet hair turbine tool. [See page 17]</li> <li>• Check for clogs. [See page 19]</li> </ul>
<b>Accessory has no suction when using with the handle</b>	<ul style="list-style-type: none"> <li>• Cleaner is not in upright position.</li> </ul>	<ul style="list-style-type: none"> <li>• Keep the cleaner in upright position.</li> </ul>
<b>Plug cord will not rewind or pull to desired cord length.</b>	<ul style="list-style-type: none"> <li>• The plug cord is tangled.</li> </ul>	<ul style="list-style-type: none"> <li>• Try to rewind the plug cord again after pulling it all the way out.</li> <li>• Firmly pull plug cord to release it from cord reel.</li> </ul>







المشاكل	سبب محتمل	حل محتمل
يطرد الغبار من خزانه.	<ul style="list-style-type: none"> <li>• سوء تركيب خزان الغبار.</li> <li>• عدم إغلاق غطاء خزان الغبار.</li> <li>• الطبقة القاعدية غير مغلقة.</li> </ul>	<ul style="list-style-type: none"> <li>• تأكد من صحة تركيب كافة مكونات خزان الغبار والفلاترات.</li> <li>• افحص غطاء خزان الغبار.</li> <li>• تأكد من إغلاق الطبقة القاعدية بالمزلاج.</li> </ul>
المكنسة تلتقط سجادا متحركا أو من الصعب دفعها.	<ul style="list-style-type: none"> <li>• خطأ ضبط ارتفاع الكومة.</li> </ul>	<ul style="list-style-type: none"> <li>• قم بتعديل ارتفاع الكومة. (راجع الصفحة 10)</li> </ul>
لا تعمل المزاجة على أداة التوربين لشعر الحيوان المدلل عند إلحاقها.	<ul style="list-style-type: none"> <li>• المزاجة أو حواملها وسخة.</li> <li>• وجود عوائق في مسار الهواء التوربيني</li> <li>• امتصاص ضعيف من المكنسة</li> </ul>	<ul style="list-style-type: none"> <li>• نظف باطن أداة التوربين لشعر الحيوان المدلل. (راجع الصفحة 17)</li> <li>• نظف باطن أداة التوربين لشعر الحيوان المدلل. (راجع الصفحة 17)</li> <li>• افحص عوائق. (راجع الصفحة 19)</li> </ul>
لا تقوم الاكسسوارات بالامتصاص عند استخدام المقبض.	<ul style="list-style-type: none"> <li>• المكنسة غير في الموقع الرأسي.</li> </ul>	<ul style="list-style-type: none"> <li>• تأكد ان المكنسة في موقع رأسي.</li> </ul>
لا يمكن ترجيع حبل القابس أو دفعه الى الطول المطلوب.	<ul style="list-style-type: none"> <li>• حبل القابس متشابك.</li> </ul>	<ul style="list-style-type: none"> <li>• حاول ترجيع حبل القابس مرة أخرى بعد جره الى الخارج تماما.</li> <li>• جر حبل القابس بقوة لإطلاقه من بكرته.</li> </ul>

## المشاكل والحلول

راجع هذا الرسم البياني للمحاولة في إيجاد مشاكل صغيرة في الأداء.  
يجب إنجاز أي خدمة أو صيانة مطلوبة خارج نطاق هذا الدليل من قبل مركز الخدمة المحلي لشركة LG.

### تنبيه

مخاطر صدمة كهربائية وإصابة شخصية.  
اسحب قابس المكنسة على الدوام قبل الصيانة.  
وسيوذي الفشل في ذلك الى صدمة كهربائية أو إصابة شخصية.

المشاكل	سبب محتمل	حل محتمل
لا تعمل المكنسة	<ul style="list-style-type: none"> <li>عدم توصيل القابس في مقبس الحائط.</li> <li>تم تفعيل حماية موتور المزاجة من الحمل الزائد.</li> <li>تم تفعيل الوقاية من الحمل الحراري الزائد.</li> </ul>	<ul style="list-style-type: none"> <li>تأكد من إدخال قابس الحبل في مقبس فعال.</li> <li>اسحب قابس المكنسة وافحص عوائق المزاجة وأعد ضبط الجهاز. (راجع الصفحة 13)</li> <li>اجعل المكنسة تبرد. (راجع الصفحة 13)</li> </ul>
امتصاص ضعيف للغبار	<ul style="list-style-type: none"> <li>خزان الغبار مليء أو مسدود.</li> <li>سوء تركيب خزان الغبار.</li> <li>الخرطوم أو العصا مسدود.</li> <li>الحزام منكسر / تركيبه غير صحيح.</li> <li>تم تفعيل حماية موتور المزاجة من الحمل الزائد.</li> <li>تقّب في الخرطوم.</li> <li>المزاجة بالية.</li> </ul>	<ul style="list-style-type: none"> <li>فرغ خزان الغبار ونظف الفلترات. (راجع الصفحات 15، 16، 17)</li> <li>تأكد من صحة تركيب كافة مكونات خزان الغبار والفلترات.</li> <li>افحص عوائق. (راجع الصفحة 19)</li> <li>افحص الحزام واستبدله اذا لزم الأمر. (راجع الصفحة 18)</li> <li>اسحب قابس المكنسة وافحص عوائق للمزاجة. اضغط زر إعادة الضبط. (راجع الصفحة 13)</li> <li>افحص الخرطوم بدقة. استبدله اذا لزم الأمر.</li> <li>اتصل بمركز الخدمة.</li> </ul>
لا تعمل المزاجة	<ul style="list-style-type: none"> <li>المفتاح مغلق ( الجهاز في نمط الأرضية العارية)</li> <li>المكنسة في الموقع الرأسي.</li> <li>تعطلت حماية موتور المزاجة من الحمل الزائد ( الفرشاة تكسدت).</li> <li>الحزام منكسر.</li> </ul>	<ul style="list-style-type: none"> <li>قم بتفعيل مفتاح طاقة المزاجة. (راجع الصفحة 9)</li> <li>اضغط زر إطلاق البدن وقم بإمالة الجهاز الى الوراء. (راجع الصفحة 9)</li> <li>اسحب قابس المكنسة وافحص عوائق للمزاجة وأعد ضبط الجهاز. (راجع الصفحة 13)</li> <li>استبدل الحزام. (راجع الصفحتين 17 و 18)</li> </ul>

امسح السطح الخارجي للمكنسة بقماش نظيف وناعم  
تم غمره في الماء وتجفيفه عبر التعصير.

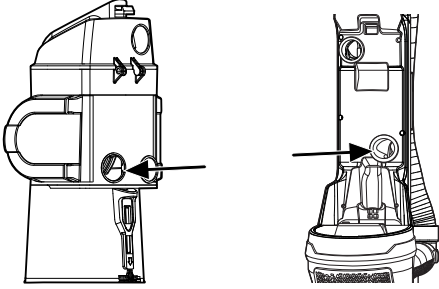
لا تسمح للماء بدخول أي الفتحات في المكنسة.  
لا تنظف الأدوات في غسالة الأواني أو غسالة  
الملابس. واغسل الأدوات في ماء صابوني دافئ  
ونظفها واجعلها تجف في الهواء تماما.  
لا تستعمل الأدوات الرطبة.

### تنظيف السطح الخارجي للمكنسة

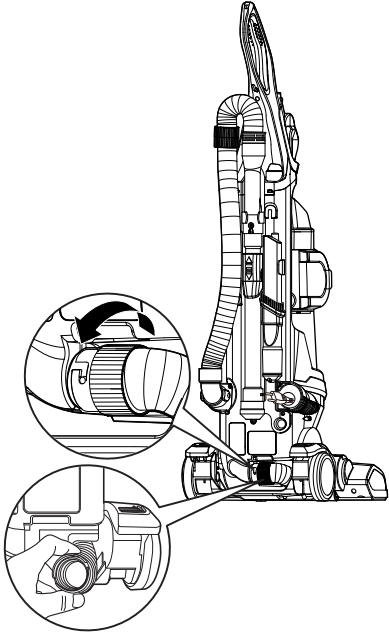
#### ⚠ تنبيه

مخاطر صدمة كهربائية وإصابة شخصية. اسحب  
قابس المكنسة على الدوام قبل الصيانة. وسيؤدي الفشل  
في ذلك الى صدمة كهربائية أو إصابة شخصية.

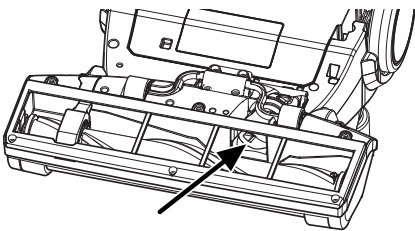
3. انقل خزان الغبار وافحص مدخله ومدخل البدن حيث يتصل ببدن المكنسة.



4. افحص الخرطوم حيث يتصل يربط البدن بالرأس عبر تدوير الموصل في قاعدة البدن.



5. قلب المكنسة وافحص مدخل المزاجة.



## إزالة العوائق

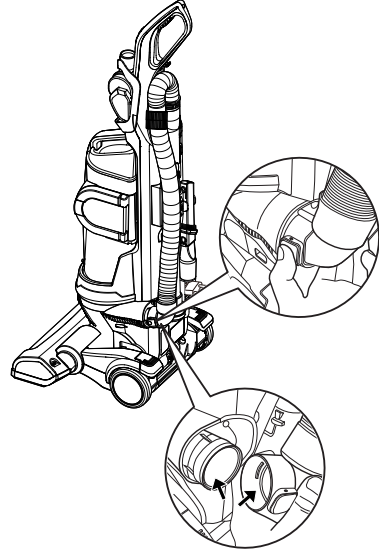
### ⚠ تنبيه

مخاطر صدمة كهربائية وإصابة شخصية. اسحب قابس المكنسة على الدوام قبل الصيانة. وسيؤدي الفشل في ذلك إلى صدمة كهربائية أو إصابة شخصية.

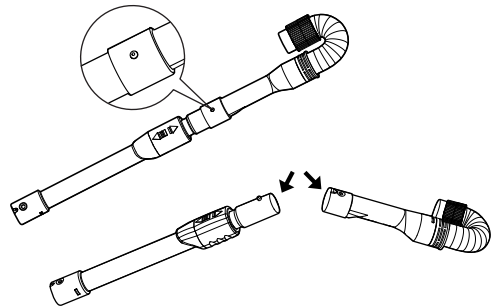
إذا لاحظت خسارة في الامتصاص، افحص أولاً الفلترات كما يبين في الصفحتين 16 و17. إذا كانت نظيفة، قد يوجد عائق. تشير السهام إلى مناطق عادة ما توجد فيها عوائق.

### فحص العوائق:

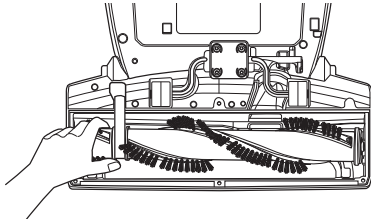
1. افحص الخرطوم حيث يتصل بظهر البدن عبر ضغط الزرين على نهاية الخرطوم.



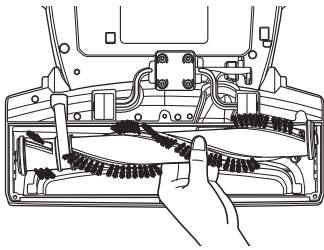
2. أطلق مجمع الخرطوم من المكنسة. وافصله والعصا عبر ضغط الزر على رأس العصا وافحص العوائق في الخرطوم والعصا.



5. ركب المزاجة عبر الحزام وتأكد من محاذاة الحزام مع قطاع البكرة للمزاجة.



6. خفض المزاجة في مكانها وتأكد أن الألسنة البيضوية تنسجم في الأثلام على الرأس.



7. أعد تركيب غطاء فرشاة المزاجة كالخطوة السابقة.

لاستبدال حزام، اتصل بمركز الخدمة لـ LG لجزء الحزام رقم MAS61843401.

## استبدال حزام المزاجة

### تنبيه ⚠

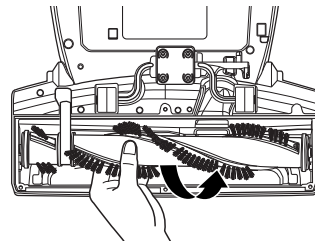
مخاطر صدمة كهربائية وإصابة شخصية. اسحب قابس المكنسة على الدوام قبل الصيانة. وسيؤدي الفشل في ذلك إلى صدمة كهربائية أو إصابة شخصية.

إذا انكسر الحزام، التزم بالخطوات التالية لترجيح الحزام.

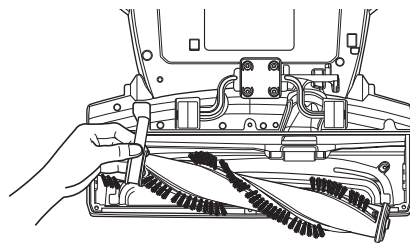
استبدال الحزام:

1. انقل غطاء فرشاة المزاجة كما يبين في الصفحة 17.

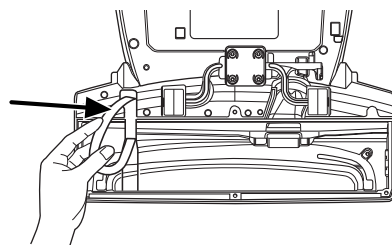
2. ارفع المزاجة رأسياً إلى الخارج.



3. فك الحزام القديم من بكرة التحريك. وتأكد من عدم وجود صحيفات من الحزام المنكسر في المزاجة أو منطقة البكرة.



4. قم بتعليق الحزام الجديد فوق بكرة التحريك لموتور المزاجة.



## صيانة المزاجة

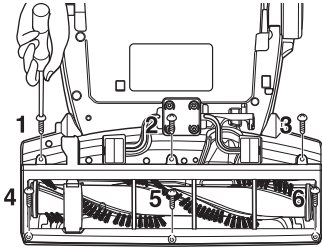
### ⚠ تنبيه

مخاطر صدمة كهربائية وإصابة شخصية. اسحب قابس المكنسة على الدوام قبل الصيانة. وسيتسبب الفشل في ذلك في صدمة كهربائية أو إصابة شخصية.

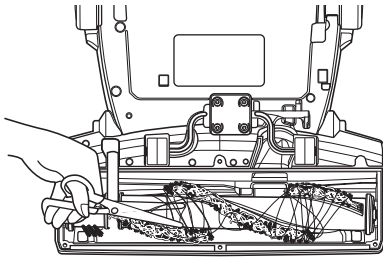
افحص منطقة فرشاة المزاجة للشعر والخيط والنسيل بانتظام.

### نقل غطاء فرشاة المزاجة:

1. اسحب قابس المكنسة. اضغط مدوسة القدم اليمنى لإطلاق الرأس. وخفض المقبض حتى تقع المكنسة على الأرضية بصورة مستوية.
2. قلب غطاء المكنسة لكي تظهر واجهة المكنسة.
3. اضبط المزاجة على قماش أو سطح سلس. وفك البراغي الستة على قاعدة الرأس وانقل الغطاء.



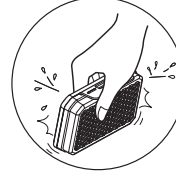
4. انقل أي خيط وشعر متراكم بدقة من المزاجة ومنطقتها. والتزم بالخطوات السابقة بشكل معاكس لإعادة تركيب الغطاء.



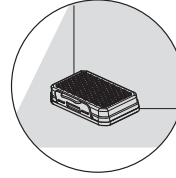
3. اغسل الفلتر جيدا في الماء الجاري.



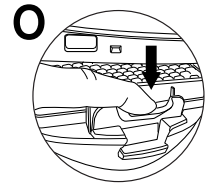
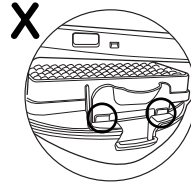
4. أزل الرطوبة.



5. جفف الفلتر جيدا بعيدا عن ضوء الشمس.



6. تأكد من دفع الفلتر حتى يقفل في مكانه قبل إغلاق غطاء فلتر التصريف.



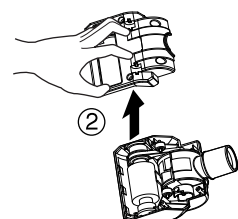
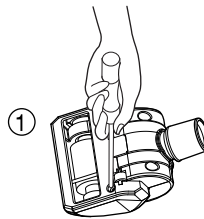
### أداة التوربين لشعر الحيوان المدلل

#### تنظيف أداة التوربين لشعر الحيوان المدلل

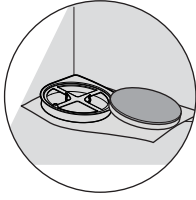
1. انقل البراغي الأربعة على قاعدة أداة التوربين.
2. ارفع الغطاء.
3. أزل أي العوائق.

#### إعادة التجميع:

4. اضغط الغطاء بدقة على الألسنة حتى يتم إقفالها في أماكنها.
  5. أدخل البراغي المفككة في الخطوة 1 وشدها. لا تفرط في شدها.
- لا تستعمل أداة التوربين لشعر الحيوان المدلل على أي حيوان.



6. جفف الفلتر تماما بعيدا عن الشمس.



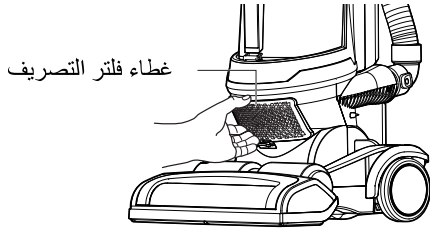
لا تشغيل المكنسة بفلترات أو مكونات رطبة! إذا لاحظت خسارة في الامتصاص ولا يساعد فلتر الرغوة على حل ذلك، تحتاج لاستبدال الفلتر. ويمكن ان تشتري فلترات رغوة إضافية من LG وتطلب الأجزاء في الصفحة 5.

## تنظيف فلتر هيبا (الهواء الملوث عالي الكفاءة)

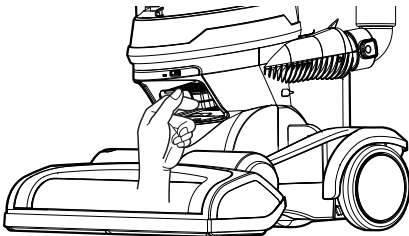
افحص الفلتر كل 6 اشهر ونظفه اذا لزم ذلك لتحقيق أفضل أداء.

### تنظيف فلتر هيبا

1. انقل غطاء فلتر التصريف.



2. ارفع الفلتر عبر ضغط المعلاق.



## تنظيف الفلتر المسبق للغبار

### تحذير

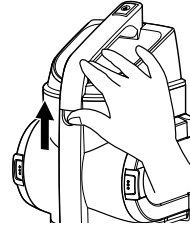
يتسبب فلتر رطب في التلف الدائم للمكنسة. وتأكد ان الفلترات جافة تماما قبل إعادة التركيب.

افحص الفلترات كل 3 اشهر ونظفها اذا لزم الأمر لضمان أفضل أداء.

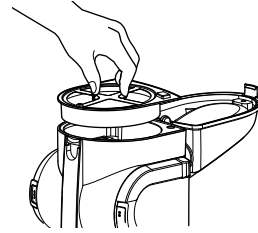
لا تغلق غطاء خزان الغبار بدون فلتر الرغوة.

### تنظيف الفلتر المسبق للرغوة:

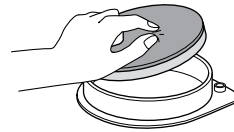
1. انقل خزان الغبار من المكنسة.  
2. ارفع زر الإفراج عن غطاء خزان الغبار وفتحه.



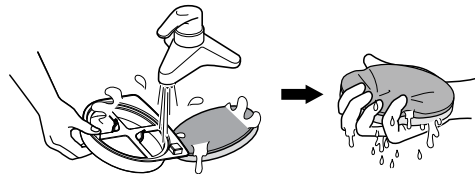
3. احمل الفلتر المسبق للرغوة الى الخارج.



4. افصل فلتر الرغوة من إطاره.

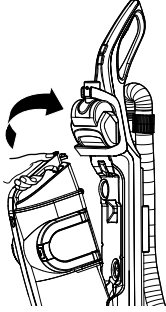


5. أفرج عن اي غبار زائدة أو عوائق واغسل فلتر الرغوة & إطاره بالماء النقي.



## إعادة تركيب خزان الغبار:

ضع الخزان في الحائز، ثم قم بإمالةه الى الأمام حتى يدخل المكان. وتأكد من وضع الخزان صحيحا.



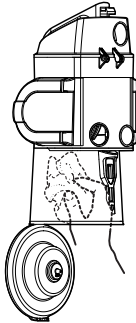
**التنبيه:** لا تلمس التروس أو المفاتيح على البدن الرئيسي تحت علية الغبار.

## تنظيف خزان الغبار

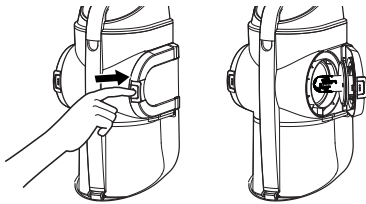
افحص الفلترات بانتظام ونظفها اذا لزم الأمر لتحقيق أفضل أداء.

## تنظيف خزان الغبار:

1. انقل خزان الغبار من المكنسة.
2. اضغط زر الإفراج عن الغبار وافتح الطبقة القاعدية.
3. امسح خزان الغبار بوساطة قماش ناعم أو منشفة ورقية.



4. أطلق المزلاج على الباب الجانبي على الجانبين الأيسر والأيمن.



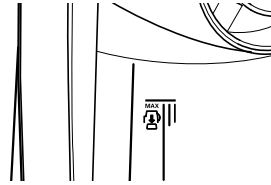
5. أزل أي شعر وليف أو العوائق الأخرى من فاصل الغبار. لا تنقل المخاريط الملحقة بالباب الجانبي للتنظيف. لا تشغل المكنسة بفلترات أو مكونات رطبة!

## تفريغ خزان الغبار

### ⚠ تنبيه

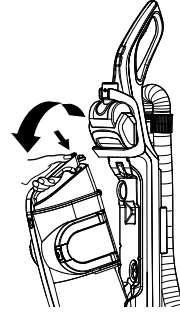
إصابة شخصية وصدمة كهربائية. واسحب قابس حبل الطاقة على الدوام من المقبس قبل إجراء أي فحص للمكنسة. وقد يتسبب القشل في ذلك في صدمة كهربائية أو إصابة شخصية نتيجة تحرك المكنسة فجأة.

فرغ خزان الغبار على الدوام عندما يبلغ مستوى الغبار الخط الأقصى (MAX) لأجل تحقيق افضل أداء.



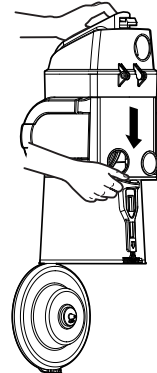
## نقل خزان الغبار:

اضغط زر إطلاق خزان الغبار قم بإمالة الخزان الى الوراء ثم ارفعه الى خارج المكنسة.



## تفريغ خزان الغبار:

اضغط زر الإفراج عن الغبار وافتح الطبقة القاعدية.





التزم على الدوام بكافة احتياطات الأمان عند تنظيف وصيانة المكنسة.

## مكونات خزان الغبار

يتألف خزان الغبار من عدة مكونات مفتاحية. وتأكد على الدوام من إعادة تركيب جميع الأجزاء بشكل صحيح بعد تفريغ الخزان. لن تشغل المكنسة في حال عدم وضع جميع الفلترات في أماكنها!

لا تشغل المكنسة بالفلترات أو المكونات الرطبة!

## المكونات المفتاحية

### 1~2. الفلتر المسبق للرغوة:

يلتقط بشكل مناسب للجسيمات الدقيقة. يتألف من إطار الفلتر & فلتر الرغوة قابل للغسل.

3. غطاء خزان الغبار  
افتح لدخول الفلتر المسبق للرغوة.

4. فاصل الغبار:  
فصل الغبار من مخرج الهواء.

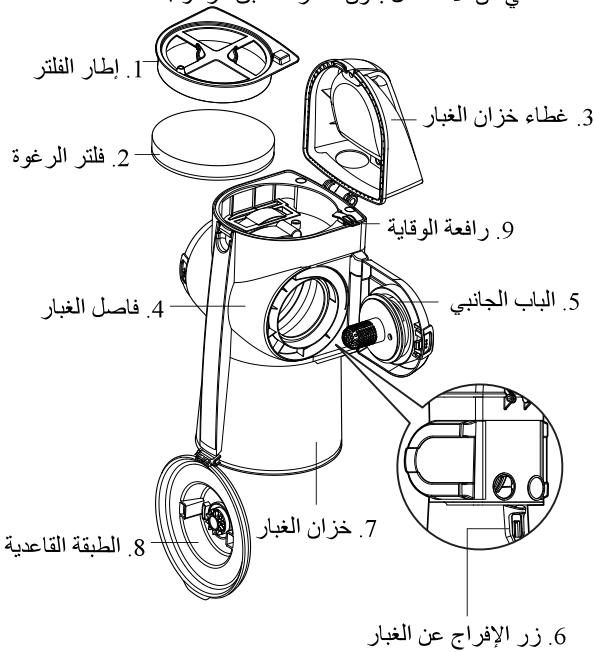
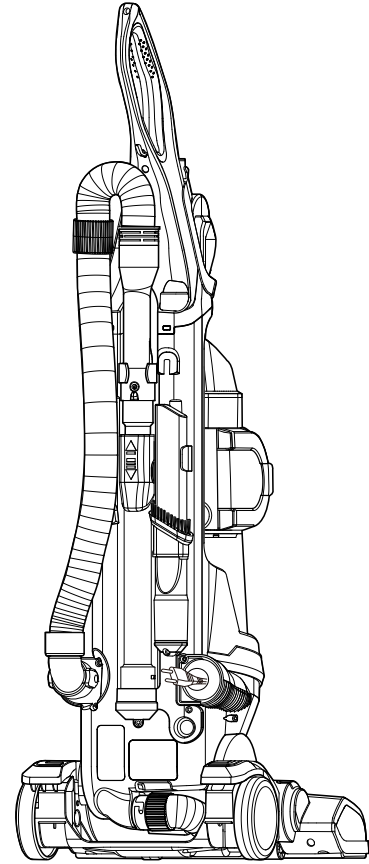
5. الباب الجانبي:  
افتح لنقل الغبار من فاصله.

6. زر الإفراج عن الغبار:  
اضغط لفتح الطبقة القاعدية.

7. خزان الغبار  
الغبار مجموع هنا.

8. الطبقة القاعدية:  
افتحها لتفريغ خزان الغبار.

9. رافعة الوقاية:  
تقي من الاستعمال بدون الفلتر المسبق للرغوة.



## الحماية من الحمل الحراري الزائد

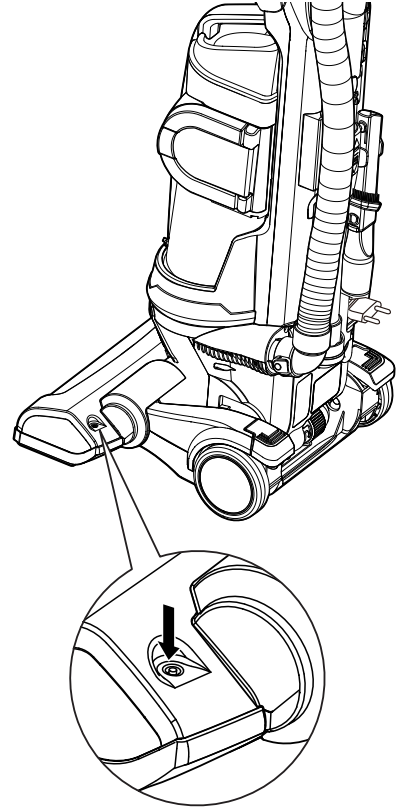
تملك المكينة واقية حمل حراري زائد تعمل تلقائيا لحماية المكينة من التسخين المفرط. اذا أزعج عائق التيار الهوائي الطبيعي للموتور، ستغلق الواقية الموتور تلقائيا للسماح له بالتبريد لأجل تفادي ضرر محتمل بالمكينة.

**تصحيح المشكلة:** أغلق المكينة واسحب قابس حبل الطاقة. وافحص العوائق وأزلها اذا لزم الأمر. وافحص أي فلتر وسخ ونظفه على الدوام. وانتظر نحو 30 دقيقة وأدخل قابس المكينة وافحص ما اذا كانت واقية الموتور تمت إعادة ضبطها. ولا يمكن إعادة ضبط نظام الواقية الحرارية حتى تبرد المكينة تماما.

## الحماية من الحمل الزائد لموتور المزاجة

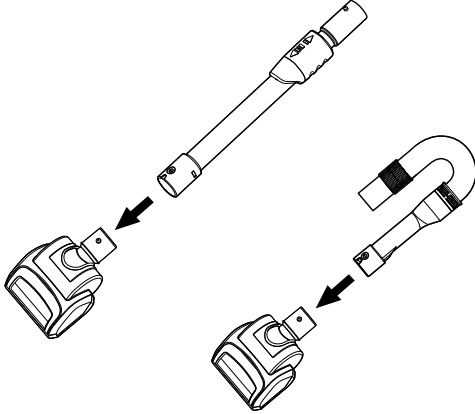
تملك المزاجة واقية مدمجة ضد تلف موتورها. اذا تنخفض سرعة المزاجة أو تتوقف، ستغلق الواقية الموتور. ولا يزال الموتور الامتصاص يعمل في هذا الوقت.

**تصحيح المشكلة:** أغلق المكينة واسحب قابسها وانقل العوائق واضغط زر الترجيع.



## استعمال أداة التوربين لشعر الحيوان المدلل

أداة التوربين لشعر الحيوان المدلل ملحقة بالعصا مثل الملحقات الأخرى. وتكون فرشاة التوربين المدفوعة للشعر لأجل تقديم قوة تنظيف إضافية على السجاجيد والألياف. وهي جيدة لتنظيف الأدراج والوسائد ومفروشات المركبات.



عند استعمال أداة التوربين، افحص بانتظام لتراكم الشعر والألياف والنسيل والشظايا الأخرى في منطقة الفرشاة. وسيخفض التراكم الزائد أداء الأداة ويتلفها. وراجع فقرة العناية والتنظيف لتعليمات التنظيف.

## الأدراج والمنحدرات

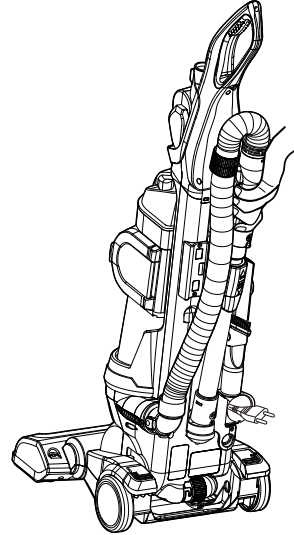
استعمل أداة الشق أو أداة التوربين لشعر الحيوان المدلل على الأدراج والمنحدرات. وتأكد ان المكنتة توضع حيث لا يمكن ان تنقلب أو تسقط. وراجع الصفحة 11 لتعليمات اختيار واستخدام الملحقات.

## تركيب الملحقات

### استعمال العصا والخرطوم

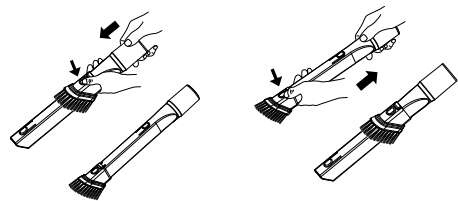
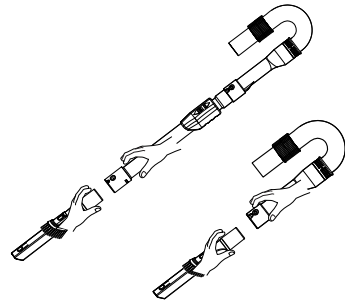
#### إطلاق العصا والخرطوم

1. أمسك بالعصا على البدن وقم بامتدته.
2. احمل العصا الى الخارج والاعلى.



### استعمال أداة الشق

انقل أداة الشق فوق نهاية العصا أو ركبها في المقبض.



فرشاة الغبار

أداة الشق

## الأطراف

### حواف السجادة والزوايات

بالنسبة الى زوايات ضيقة وحواف السجادة وعلى طول لوحات قاعدية، استعمل فرشاة الغبار. استعمل أداة الشق للمناطق الصعب الوصول اليها.

## فرشاة الغبار

استعمل فرشاة الغبار لتنظيف الأثاث والجران الخ.



## أداة الشق

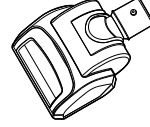
يمكن استعمال أداة الشق للزاويات الضيقة وبين الوسائد ومختلف الأماكن الأخرى الصعب الوصول إليها.



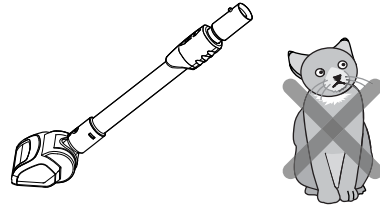
## التجميع

### أداة التوربين لشعر الحيوان المدلل

فرشاة التوربين المدفوعة للشعر جيدة للأدراج والأماكن الداخلية فضلا عن نقل شعر الحيوان المدلل والنسيل الخ من الألياف والسجاجيد.



لا تستعملها على الحيوان المدلل.



## الرسم البياني لاستعمال الاكسسوارات

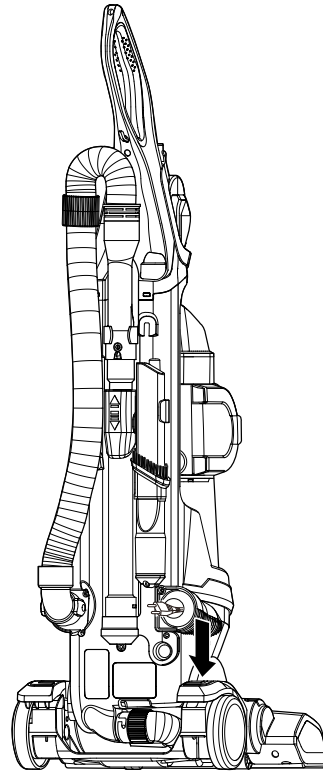
تنظيف المساحة							الاكسسوارات
جران	أرضية/سجادة مفروشة	أدراج وسائد	ستائر *	الأثاث والسطوح الصلبة	سطوح منجدة	بين الوسائد	
		●			●	●	الحيوان المدلل أداة التوربين لشعر
●	●		●	●	●	●	فرشاة الغبار
						●	أداة الشق

\* تأكد من نظافة الملحقات على الدوام قبل استعمال الأداة على الألياف.

## تعديل ارتفاع الكومة

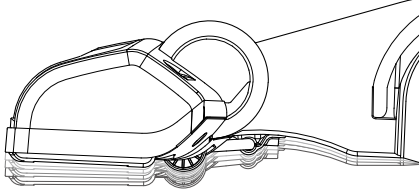
### من أجل تعديل ارتفاع الكومة:

عندما من الضروري زيادة أو تخفيض مقدمة المكنسة لشنتى ارتفاعات كومة السجادة، اضغط مدوسة القدم اليمنى لتعديل ارتفاع الكومة. وسترتفع المزاجة ثلثة واحدة بعد كل مرة من الضغط.



## الضبط المقترح لارتفاع الكومة:

قد تحتاج لزيادة الارتفاع لكي يجعل بعض الأعمال أسهل، مثل كنس منطقة السجاجيد وكومة السجاجيد الأطول.



فيما يلي اقتراحات لضبط ارتفاع السجاد لتحقيق أفضل أداء كنس.

L - لجميع أنواع السجاجيد

ضبط الارتفاع- لكومة السجادة العميقة جدا حيث تحتاج جهود دفع أبسط مع ضمان أداء تنظيف جيد.

توجد أربعة أشكال من الضبط:

H = مرتفع

M = متوسط

ML = منخفض متوسط

L = منخفض

**ملاحظة:** اذا صعب دفع المكنسة، اضغط زر تعديل الارتفاع الى الضبط الأعلى التالي.

**التنبيه:** يجب تقديم عناية خاصة عند كنس الأنواع الخاصة للسجادة أو الأرضية. وافحص السجادة أو الأرضية على الدوام مع قراءة تعليمات التنظيف المقترحة من المصنع قبل الكنس.

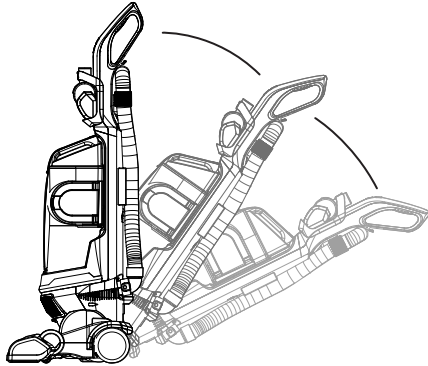
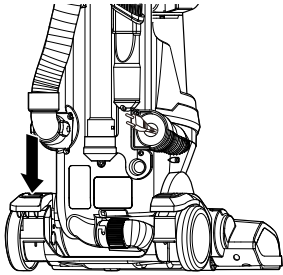
## تنبيه

خطر الإصابة الشخصية

لا تضبط المكنتسة على الأدرج. وتأكد من وضع الجهاز على الأرضية على الدوام.

## إطلاق البدن

- اضغط المدوسة على الجانب الأيسر للمكنتسة لبدء الكنتس.
- ملاحظة: لا تعمل المزاجة عندما تكون المكنتسة في الموقع الرأسي.



## التحكم

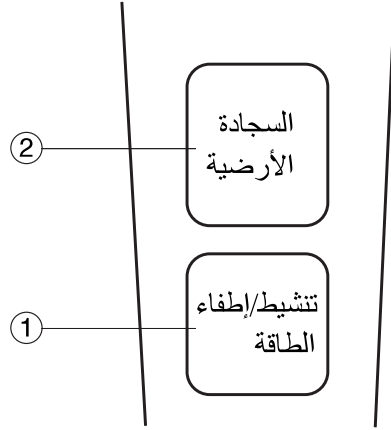
1. تنشيط/إطفاء الطاقة

من أجل تشغيل وإطفاء المكنتسة.

2. السجادة / الأرضية:

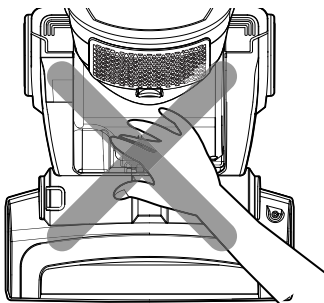
لأجل تفعيل وإطفاء المزاجة.

ملاحظة: السجادة = تفعيل المزاجة، الأرضية = إطفاء المزاجة.  
لا تدور المزاجة عندما تكون المكنتسة في الموقع الرأسي.



## تحذير

لا تضع أي شيء بين البدن الرئيسي ورأس المكنتسة.  
قد تحدث إصابة شخصية أو ضرر بالمنتج.



## ⚠ تنبيه

خطر إصابة بدنية وإضرار بالمنتج!  
لا تستعمل المقبس فوق المنضدة.  
قد يحدث ضرر بالمواد في المساحة المحيطة.

### خزان الحبل

#### إطلاق الحبل:

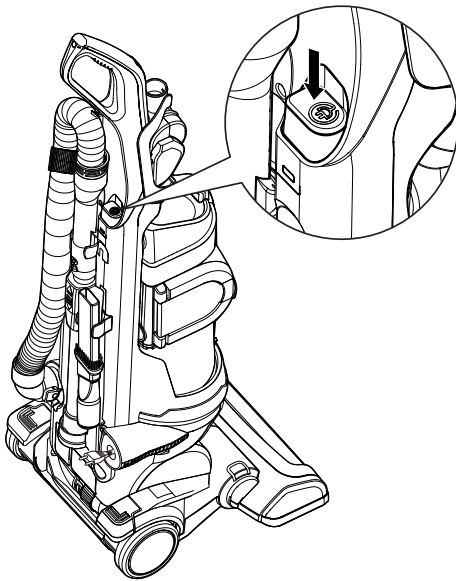
أمسك بالقابس وجر الحبل الى الطول المطلوب.

#### تخزين الحبل:

أمسك بالقابس واضغط على زر ترجيع الحبل على الجانب

الخلفي للمقبض.

أمسك بالقابس حتى تم ترجيع الحبل لتفادي سرعة تحرك الحبل.

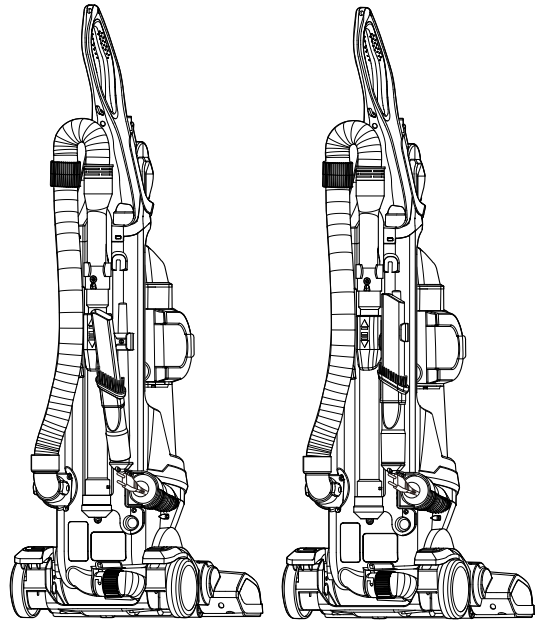


**ملاحظة:** لأجل تقليل خطر الصدمة الكهربائية، يملك هذا الجهاز قابسا مستقطبا ( شفرة أكبر عن الآخر ). وسيركب القابس في مقبس مستقطب بطريقة واحدة فقط. اذا لم يركب القابس في المقبس تماما، قلب القابس. اذا ما زالت المشكلة موجودة، اتصل بكهربائي مؤهل لتركيب المقبس المناسب. ولا تغير القابس في أي شكل من الأشكال.

### تخزين الاكسسوارات

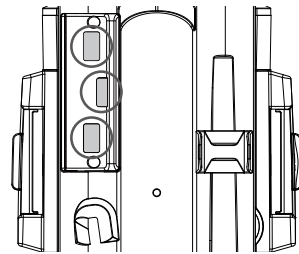
تملك المكنسة الكهربائية خزانا مناسباً لفرشاة الغبار & أداة الشق.

• أدخل فرشاة الغبار & أداة الشق على البدن الرئيسي.



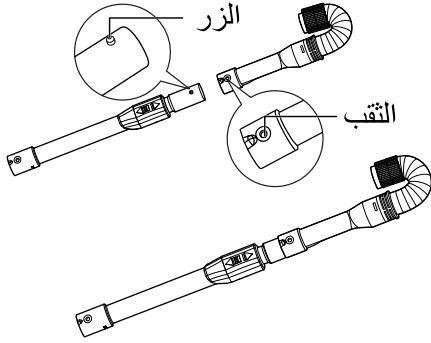
## ⚠ تحذير

يتألف خزان الخرطوم من ثلاثة مغناطيسيات قوية. أبعد معدات كهربائية أو مواد فولاذية خطيرة من خزان الخرطوم.

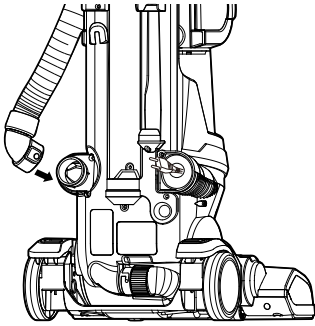


## إرفاق الخرطوم

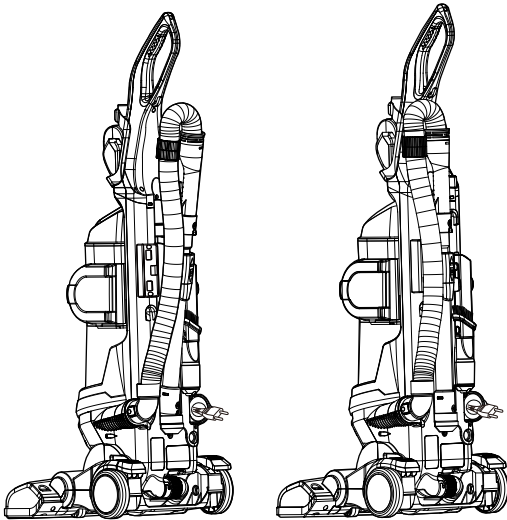
1. أدخل العصا في خرطوم المقبض.



2. أرفق الجانب المعاكس للخرطوم على متن البدن الرئيسي.

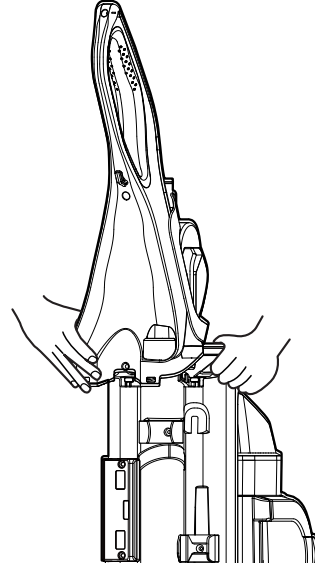


3. قم بمحاذاة الخرطوم مع الحائز على جانب المكنسة وضع نهاية العصا على متن البدن الرئيسي.



## إرفاق المقبض

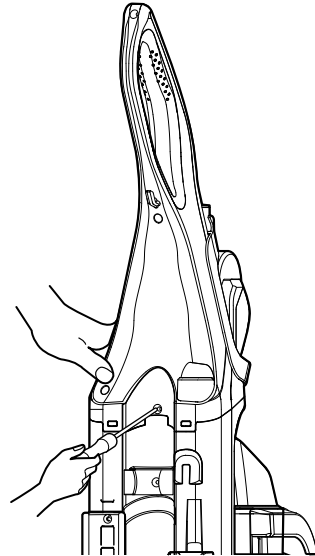
1. انقل المقبض على البدن الرئيسي.



2. أدخل البرغي في الجانب الخلفي للمقبض وشده بمفك البراغي ماركة فيليبس.

### تنبيه ⚠

شد البرغي كما تستطيع. قد تحدث إصابة بدنية أو ضرر بالمنتج.

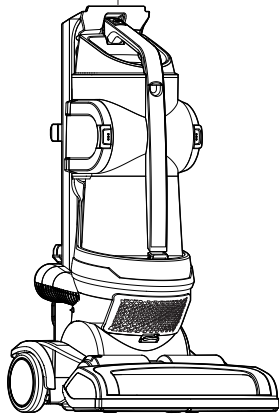




شحنت المكنسة الكهربائية جزئياً بدون التجميع لتقليل خطر أضرار الشحن.

## أجزاء التجميع

1. بدن المكنسة الكهربائية



## تفريغ المكنسة الكهربائية

فرغ المكنسة الكهربائية بدقة وتأكد أن تملك جميع الأجزاء قبل رمي أي غلاف.

انقل أي شريط وملحقات الكرتون والغشاء المحمي قبل التجميع.

في الصندوق المواد التالية:

1. بدن المكنسة الكهربائية

2. المقبض مع أداة توربين شعر الحيوان المدلل

3. فرشاة الغبار & أداة الشق

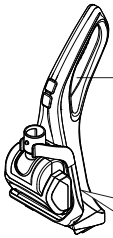
4. العصا القابل للتعديل

5. الخرطوم

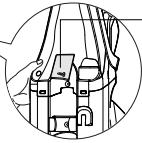
6. البرغي الملحق بالمقبض

7. فلتر الرغوة الإضافي

2. المقبض مع أداة توربين شعر الحيوان المدلل



6. البرغي الملحق بالمقبض



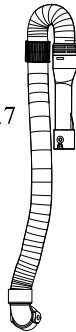
4. العصا القابل للتعديل



3. فرشاة الغبار & أداة الشق



5. الخرطوم



7. فلتر الرغوة الإضافي



# الأجزاء والخواص

من المهم معرفة أجزاء وخواص المكنسة الكهربائية لضمان الاستعمال المناسب والأمن. وأعد النظر فيها قبل استعمال المكنسة.

## أجزاء الاستبدال العادية

ADQ72913302	فلتر الهواء الملوث عالي الكفاءة
MDQ62256901	إطار المزاجة
MDJ61980603	فلتر الرغوة (ADV72987202)
MAS61843401	حزام المزاجة

من أجل طلب هذه الأجزاء، اتصل بـ  
خدمة LG

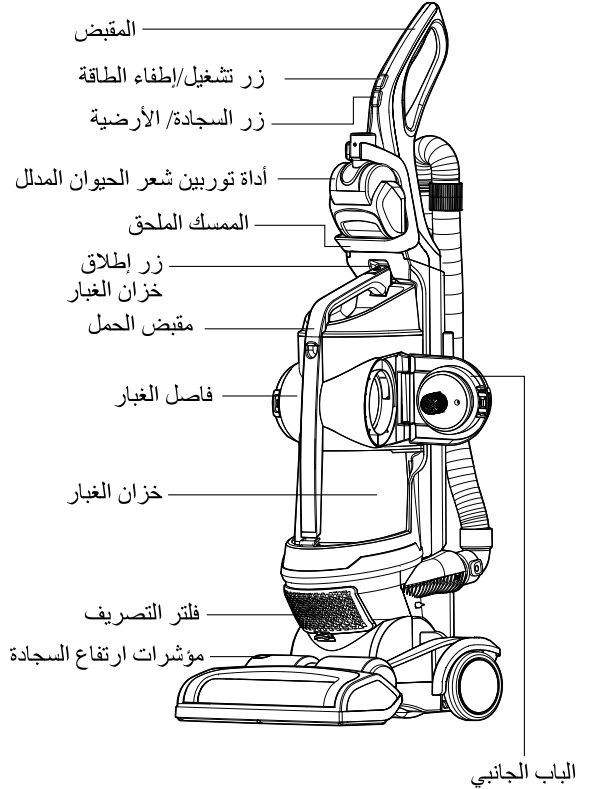
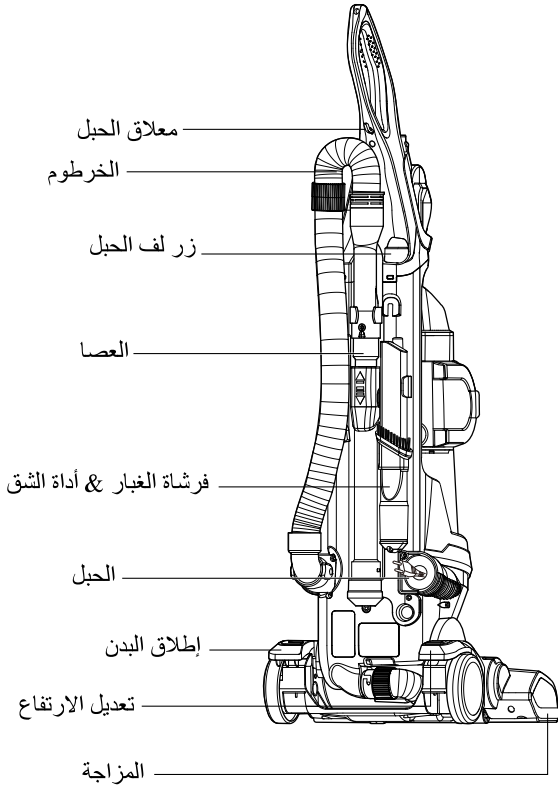
## الأدوات الملحقة



فرشاة الغبار & أداة الشق



أداة التوربين لشعر الحيوان المدلل



# معلومات هامة للأمن

## تنبيه

- لا تضع أي شيء في الفاصل بين المكنسة الكهربائية ورأس المزاجة. قد يؤدي ذلك إلى إصابة جسدية أو أضرار بالمنتج أو الأشياء الحية.
- تحتوي الحبال والأسلاك و/أو الكابلات الملحقة بالمنتج على الكيماويات والرصاص ومركباته علما بأنها تتسبب في السرطان والعيوب الخلفية أو أضرار إنجابية أخرى. اغسل اليدين بعد الاستعمال.
- قد تتم صيانة الجهاز الكهربائي من مهندس خدمة معتمد فقط. قد تؤدي الصيانة غير المناسبة إلى مخاطر شديدة للمستخدم.
- لا تضع الأصابع قرب التروس. قد يؤدي الفشل في ذلك إلى صدمة كهربائية أو إصابة جسدية.
- لا تستعمل في الخارج أو على سطوح رطبة. قد يؤدي الفشل في ذلك إلى صدمة كهربائية أو إصابة جسدية.

## تحذير

- لا تضع أي مادة في الفتحات. قد يؤدي الفشل في ذلك إلى الإضرار بالمنتج.
- لا تستعمل الجهاز مع كتلة مفتوحة: تأكد من الخلو من الغبار والخيط والشعر وأي شيء يخفف التيار الهوائي. قد يؤدي الفشل في ذلك إلى الإضرار بالمنتج.
- لا تستعمل المكنسة الكهربائية بدون وجود خزان الغبار و/أو الفلترات. قد يؤدي الفشل في ذلك إلى الإضرار بالمنتج.
- نظف خزان الغبار على الدوام بعد كس منظفات السجادة أو المعطرات والمساحيق والغبار الدقيق. تسد هذه المواد الفلترات مما يخفف التيار الهوائي ويسبب أضراراً للمكنسة. وقد يؤدي الفشل في تنظيف خزان الغبار إلى الإضرار الدائم للمنظف.
- لا تستعمل المكنسة الكهربائية لالتقاط مواد صلبة حادة وألعاب صغيرة ودبابيس وشظايا ورقية الخ. قد تتلف هذه المواد المكنسة أو خزان الغبار.
- احفظ المكنسة الكهربائية في الداخل. احفظ المكنسة الكهربائية جيدا بعد استعمالها لتجنب التعثر فوقها.
- لا يصمم هذا الجهاز للاستعمال من أشخاص (بما فيهم الأطفال) ذوي قدرات جسدية وحساسة أو عقلية ضعيفة، أو ذوي خبرات ومعرفة قليلة، إلا أن تقدم لهم مراقبة أو تعليمات خاصة باستعمال الجهاز من الأشخاص المسؤولين عن أمنهم.
- يجب تقديم الرقابة للأطفال لضمان عدم لعبهم بهذا الجهاز.
- استعمل فقط الأجزاء التي تنتجها أو تقترحها من وكلاء شركة LG. قد يؤدي الفشل في ذلك إلى الإضرار بالمنتج.
- استعمل الجهاز فقط حسب التعليمات في الدليل واستعمل فقط الملحقات والاكسسوارات المقترحة أو المعتمدة من LG. قد يؤدي الفشل في ذلك إلى إصابة جسدية أو الإضرار بالمنتج.
- ضع الجهاز على الدوام في أسفل الأدراج لتجنب إصابة جسدية وحماية الآلة من السقوط عند تنظيف الأدراج. قد يؤدي الفشل في ذلك إلى إصابة جسدية أو الإضرار بالمنتج.
- استعمل فوهات الاكسسوارات في نمط الصوفا. قد يؤدي الفشل في الإضرار بالمنتج.
- تأكد من تجفيف الفلترين ( فلتر التصريف و فلتر أمن الموتور ) تماما قبل إعادة وضعهما في الآلة. قد يؤدي الفشل في ذلك إلى الإضرار بالمنتج.
- لا تجفف الفلتر في فرن أو ميكروويف. قد يؤدي الفشل في ذلك إلى خطر الحريق.
- لا تجفف الفلتر في مجفف ملابس. قد يؤدي الفشل في ذلك إلى خطر الحريق.
- لا تجفف قرب شعلة مكشوفة. قد يؤدي الفشل في ذلك إلى خطر الحريق.
- أغلق المكنسة الكهربائية على الدوام قبل ربط الخرطوم أو إلغاء ربطه. قد تحدث إصابة جسدية أو أضرار للمنتج.
- من واجبك إجراء تجميع صحيح واستعمال أمن للمكنسة الكهربائية.

## احتفظ بهذه التعليمات

### الواقى الحارري:

تملك هذه المكنسة الكهربائية ترموستات خاصا يحميها من الإفراط في تسخين الموتور. اذا اغلقت المكنسة فجأة، أغلق المفتاح واسحب قابسها. افحص مصدرا محتملا للتسخين المفرط للمكنسة مثل خزان غبار مليء وخرطوم مسدود أو فلتر مسند. اذا وجدت هذه الشروط، قم بإزالتها وانتظر 30 دقيقة على الأقل قبل المحاولة في استعمال المكنسة. وبعد 30 دقيقة، اسحب قابس المكنسة وأغلق المفتاح. اذا ما عملت المكنسة باستمرار، اتصل بكهربائي مؤهل.

# تعليمات هامة للسلامة

يجب الالتزام باحتياطات أساسية على الدوام بما فيها ما يلي عند استخدام جهاز كهربائي:

## اقرأ كافة التعليمات قبل الاستعمال تعليمات أمن مهمة

اقرأ والتزم بجميع التعليمات قبل استعمال المكنسة الكهربائية للوقاية من مخاطر الحريق والصدمة الكهربائية والجريح أو الأضرار أثناء استعمال الجهاز. ولا يغطي هذا الإرشاد جميع الظروف التي قد تحدث. اتصل دائما بفني الخدمة أو المصنع في حالة وجود أية مشكلات لا تفهمها يتوافق هذا الجهاز مع قوانين الاتحاد الأوروبي: التوجيهات: توجيه الجهد الكهربائي المنخفض 2006/95/EC - وتوجيه 2004/108/EC EMC

هذا هو رمز تنبيه الأمان. وينبهك هذا الرمز الى أضرار كامنة تمتلك أو تجرحك والآخرين. وستلتزم كافة معلومات الأمان بالرمز إما " تنبيه " أو " تحذير".



سينبهك هذا الرمز الى مخاطر أو تطبيقات غير آمنة تسبب ضررا جسديا شديدا أو الموت.

### تنبيه



سينبهك هذا الرمز الى مخاطر أو تطبيقات غير آمنة تسبب في إصابات جسدية أو أضرار بالملابس.

### تحذير



**تنبيه - الهدف هو تقليل مخاطر الحريق أو الصدمة الكهربائية أو الإصابات:**



- لا تستعمل المكنسة الكهربائية اذا تلف أو تعطل حبل الطاقة أو القابس.
- قد تحدث إصابات جسدية أو أضرار بالمنتج. وفي هذه الأحوال، اتصل بوكيل الخدمة لشركة LG لتجنب مخاطر.
- لا تستعمل المكنسة الكهربائية اذا كانت تحت الماء.
- قد تحدث إصابات جسدية أو أضرار بالمنتج. وفي هذه الأحوال، اتصل بوكيل الخدمة لشركة LG لتجنب مخاطر.
- لا تواصل التنظيف في حال فقد أو تلف أي الأجزاء.
- وفي هذه الأحوال، اتصل بوكيل الخدمة لشركة LG لتجنب مخاطر.
- لا تستعمل حبلًا ممتدا مع هذه المكنسة الكهربائية.
- قد تحدث مخاطر حريق أو أضرار بالمنتج.
- استعمال الفولتاج المناسب.
- قد يؤدي استعمال الفولتاج غير المناسب الى أضرار بالموتور وإصابات محتملة للمشغل.
- توقف عن جميع التحركات قبل سحب القابس.
- قد يؤدي الفشل في ذلك الى صدمة كهربائية أو إصابة جسدية.
- لا تغير القابس بأي شكل من الأشكال.
- قد يؤدي الفشل في ذلك الى صدمة كهربائية أو إصابة جسدية أو أضرار بالمنتج. ويتسبب ذلك في الموت. واتصل بكهربائي معتمد لأجل تركيب المقيس المناسب اذا كان القابس غير مناسب.
- قدم عناية إضافية عند التنظيف أو الصيانة
- لا تترك الجهاز يعمل بنفسه. وإسحب القابس من المقيس في حال عدم استعمال الجهاز وقبل الصيانة.
- أمسك بالقابس عند إعادة لف الحبل الى بكرته.
- لا تسمح للقابس بالتحرك عند إعادة لف الحبل.
- قم بقطع الربط بمصدر الطاقة قبل صيانة أو تنظيف الجهاز أو في حال عدم استعماله.
- قد يؤدي الفشل في عمل ذلك الى صدمة كهربائية أو إصابة جسدية.
- لا تستعمل المكنسة الكهربائية لإلتقاط أي شيء يحترق أو ينبعث الدخان مثل السجائر أو الرماد الساخن.
- قد يؤدي ذلك الى الموت أو الحريق أو الصدمة الكهربائية.
- لا تنظف بالمكنسة الكهربائية مواد متفجرة أو قابلة للاشتعال مثل الوقود والبنزين والمخففات والبروبان (سائل أو غاز).
- يمكن ان تتسبب الأبخرة من هذه المواد في خطر الحريق أو الانفجار. سيؤدي ذلك الى الموت أو الإصابات الجسدية.
- لا تلمس القابس أو المكنسة الكهربائية بالأيدي الرطبة.
- سيؤدي ذلك الى الموت أو الصدمة الكهربائية.
- لا تسحب القابس عبر جر الحبل.
- سيؤدي ذلك الى ضرر أو صدمة كهربائية. أمسك بالقابس بدلا من الحبل لأجل سحبه.
- أبعد الشعر والملابس الفضفاضة والأصابع وجميع أجزاء البدن عن الأجزاء المفتوحة والمنتقلة.
- سيؤدي الفشل في عمل ذلك الى صدمة كهربائية أو إصابات جسدية.
- لا تجر أو تحمل بالحبل. بل استعمال الحبل كمقبض. أغلق بابا فوق الحبل، أو جر الحبل حول حواف أو زوايات حادة.
- قد يؤدي الفشل في ذلك الى صدمة كهربائية أو إصابات جسدية أو حريق أو ضرر بالمنتج.
- لا تسمح باستعمال الجهاز كلعبة. من الضروري تقديم رقابة دقيقة عند استعمال الجهاز من قبل الأطفال أو بقرهم.
- قد تحدث إصابات جسدية أو أضرار بالمنتج.

# المحتويات

1

تعليمات هامة للسلامة

3 تعليمات هامة للسلامة

2

الأجزاء والخواص

5 الأجزاء والخواص

3

التجميع

6 تفريغ المكنسة الكهربائية

6 أجزاء التجميع

7 ربط المقبض

7 ربط الخرطوم

8 خزان الاكسسوارات

8 خزان الحبل

4

التشغيل

9 التحكم

9 إطلاق البدن

10 تعديل ارتفاع الكومة

11 الاكسسوارات

11 خريطة استخدام الاكسسوارات

12 ملحقات التركيب

12 الأطراف

12 استخدام أداة التوربين لشعر الحيوان المدلل

12 السلالم والمنحدرات

13 الحماية من الحمل الزائد لموتور المزاجة

13 الحماية من الحمل الزائد الحراري

5

العناية & التنظيف

14 تخزين المكنسة الكهربائية

14 مكونات خزان الغبار

15 تفريغ خزان الغبار

15 تنظيف خزان الغبار

16 تنظيف الفلتر المسبق للرغوة

16 تنظيف فلتر الهواء الملوث فائق الكفاءة

17 أداة التوربين لشعر الحيوان المدلل

17 صيانة المزاجة

18 استبدال حزام المزاجة

19 إزالة العوائق

20 تنظيف خارج المكنسة الكهربائية

6

المشاكل والحلول

21 المشاكل والحلول

# دليل المالك مكنسة كهربائية

تفضل بقراءة هذا الدليل جيدا قبل تشغيل الجهاز  
واحفظ به للمرجعة في المستقبل.

LuV200R



הבעיה	הסיבה האפשרית לבעיה	פתרון אפשרי
אבק בורח ממיכל האבק	<ul style="list-style-type: none"> <li>מיכל האבק אינו מותקן במקומו כראוי.</li> <li>מכסה מיכל האבק אינו סגור.</li> <li>הלוחית התחתונה אינה נעולה.</li> </ul>	<ul style="list-style-type: none"> <li>וודאו כי כל רכיבי מיכל האבק והמסננים מותקנים כראוי.</li> <li>בדקו את מכסה מיכל האבק.</li> <li>וודאו עי הלוחית התחתונה סגורה ונעולה.</li> </ul>
שואב האבק מרים מרבדים לא מקובעים או שקשה לדחוף אותו	<ul style="list-style-type: none"> <li>הגדרה לא נכונה של גובה הערימה.</li> </ul>	<ul style="list-style-type: none"> <li>כווננו את גובה הערימה (ראו עמוד 10)</li> </ul>
האגיטטור על כלי הטורבינה לניקוי שיער של חיות מחמד לא יפעל כאשר הוא מחובר	<ul style="list-style-type: none"> <li>אגיטטור מלוכלך או תומכי אגיטטור מלוכלכים.</li> <li>חסימה במסלול האוויר של הטורבינה.</li> <li>פעולת שאיבה ירודה של שואב האבק.</li> </ul>	<ul style="list-style-type: none"> <li>נקו את החלק הפנימי של כלי הטורבינה לניקוי שיער חיות המחמד. (ראו עמוד 17).</li> <li>נקו את החלק הפנימי של כלי הטורבינה לניקוי שיער חיות המחמד. (ראו עמוד 17).</li> <li>בדקו שאין חסימות (ראו עמוד 19)</li> </ul>
לאביזר אין פעולת שאיבה (יניקה) בזמן שימוש עם ידית	<ul style="list-style-type: none"> <li>שואב האבק אינו מוצב בצורה אנכית.</li> </ul>	<ul style="list-style-type: none"> <li>השאירו את שואב האבק בצורה אנכית.</li> </ul>
כבל תקע החשמל אינו נגלל לאחור או נמשך לאורך הכבל הרצוי.	<ul style="list-style-type: none"> <li>כבל תקע החשמל הסתבך.</li> </ul>	<ul style="list-style-type: none"> <li>נסו לגלול את כבל תקע החשמל פעם נוספת לאחר משיכתו כל הדרך החוצה.</li> <li>משכו בחוזקה את כבל תקע החשמל לשחרורו מסליל כבל החשמל.</li> </ul>



סרקו טבלה זו על מנת למצוא פתרונות של עשה זאת בעצמך לפתרון בעיות ביצועיות מזעריות. כל שירות או תיקון נדרשים, פרט לאלו שתוארו במדריך זה למשתמש, חייבים להיעשות דרך מרכז השירות המקומי של חברת ברימאג.

## אזהרה

**סכנת התחשמלות וחבלה גופנית. תמיד נתקו את שואב האבק ממקור החשמל טרם התעסקות איתו. אי מילוי הוראה זו עלולה לגרום להתחשמלות או לחבלה גופנית.**

הבעיה	הסיבה האפשרית לבעיה	פתרון אפשרי
<b>שואב האבק אינו פועל</b>	<ul style="list-style-type: none"> <li>שואב האבק אינו מחובר לשקע החשמל שבקיר.</li> <li>מערכת ההגנה מפני העמסת יתר של מנוע האגיטטור, מופעלת.</li> <li>מערכת ההגנה מפני העמסת יתר תרמית מופעלת.</li> </ul>	<ul style="list-style-type: none"> <li>וודאו כי כבל החשמל מחובר לשקע חשמל תקין.</li> <li>נתקו את שואב האבק ובדקו האם יש חסימות באגיטטור ואפסו את היחידה (ראו עמוד 3).</li> <li>תנו לשואב האבק להתקרר (ראו עמוד 13).</li> </ul>
<b>איכות ירודה של הרמת לכלוך</b>	<ul style="list-style-type: none"> <li>מיכל אבק מלא או חסום.</li> <li>מיכל האבק אינו מותקן כראוי במקומו.</li> <li>צינור או מטה חסומים.</li> <li>רצועה קרועה / אינה מותקנת כראוי.</li> <li>מערכת ההגנה מפני העמסת יתר על מנוע האגיטטור מופעלת.</li> <li>חור בצינור.</li> <li>אגיטטור שחוק.</li> </ul>	<ul style="list-style-type: none"> <li>רוקנו את מיכל האבק ונקו מסננים (ראו עמודים 15, 16, 17).</li> <li>וודאו כי כל רכיבי מיכל האבק והמסננים מותקנים כראוי.</li> <li>בדקו שאין חסימות (ראו עמוד 19).</li> <li>בדקו את הרצועה והחליפו אותה במידת הצורך (ראו עמוד 18).</li> <li>נתקו את שואב האבק ממקור החשמל ובדקו כי אין חסימות לאגיטטור. לחצו על לחצן האיפוס (ראו עמוד 13).</li> <li>בדקו בזהירות את הצינור. החליפו אותו במידת הצורך.</li> <li>צרו קשר עם מרכז השירות.</li> </ul>
<b>האגיטטור אינו מסתובב</b>	<ul style="list-style-type: none"> <li>המפסק כבוי.</li> <li>(היחידה במצב של רצפה ריקה) שואב האבק עומד בצורה אנכית. קיימת הפרעה במערכת ההגנה מפני העמסת יתר של מנוע האגיטטור (המברשת תקועה). הרצועה קרועה.</li> </ul>	<ul style="list-style-type: none"> <li>הפעילו את מפסק החשמל של האגיטטור (ראו עמוד 9).</li> <li>לחצו על שחרור גוף שואב האבק והטו אותו את היחידה חזרה (ראו עמוד 9).</li> <li>נתקו את שואב האבק ממקור החשמל ובדקו כי אין חסימות באגיטטור ואפסו את היחידה (ראו עמוד 13).</li> <li>החליפו רצועה (ראו עמוד 17, 18).</li> </ul>

נגבו את החלק החיצוני של שואב האבק בעזרת מטלית רכה ונקייה לאחר שנטבלה בתוך מים ונסחטה עד שהתייבשה.

אין לאפשר למים להיכנס לפתחים כלשהם בשואב האבק.

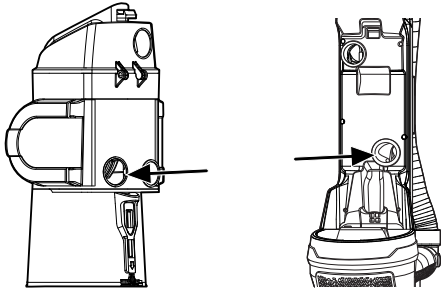
אין לנקות אביזרים במדיח כלים או במכונת כביסה. רחצו כלים במי סבון חמים, שטפו אותם ותנו להם להתייבש לחלוטין באוויר. אין להשתמש באביזרים במידה והם רטובים.

## ניקוי החלק החיצוני של שואב האבק

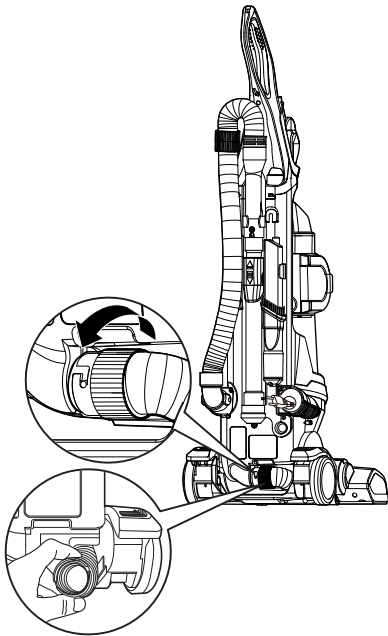
### אזהרה

סכנת התחשמלות וחבלה גופנית. תמיד נתקו את שואב האבק ממקור החשמל טרם התעסקות איתו. אי מילוי הוראה זו עלולה לגרום להתחשמלות או לחבלה גופנית.

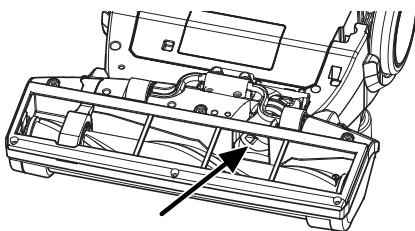
3. הוציאו את מיכל האבק ובדקו את פתח הכניסה של מיכל האבק ואת פתח הכניסה של גוף שואב האבק, במקום בו הוא מתחבר לגוף שואב האבק.



4. בדקו את הצינור במקום בו מתחבר הגוף לראש באמצעות סיבוב המחבר שבתחתית גוף שואב האבק.



5. הפכו את שואב האבק על פיו, בדקו את פתח כניסת האגיטטור.



## הסרת חסימות

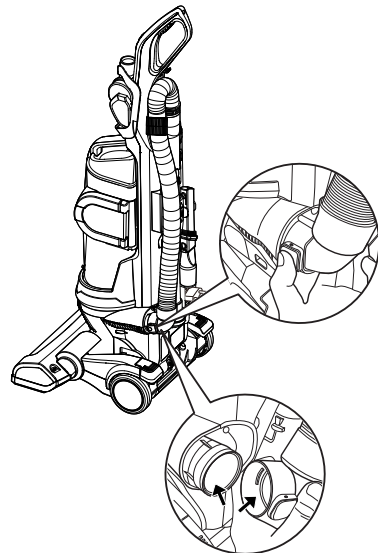
### אזהרה ⚠

סכנת התחשמלות וחבלה גופנית. תמיד נתקו את שואב האבק ממקור החשמל טרם התעסקות איתו. אי מילוי הוראה זו עלולה לגרום להתחשמלות או לחבלה גופנית.

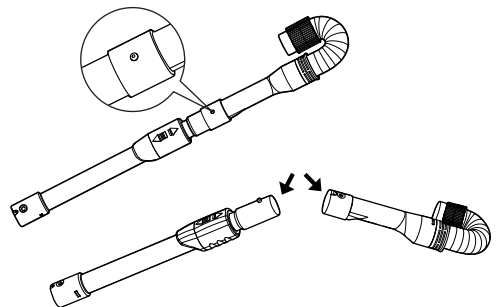
במידה והנכם שמים לב לירידה באיכות השאיבה, בדקו ראשית את המסננים כמתואר בעמודים 16 ו-17. במידה והמסננים נקיים, יתכן וישנה חסימה. החצים מציינים אזורים בהם חסימות סבורות להתקיים.

### לבדיקת חסימות:

1. בדקו את הצינור במקום שבו הוא מתחבר לחלק האחורי של גוף שואב האבק באמצעות לחיצה על שני הלחצנים שבקצה הצינור.

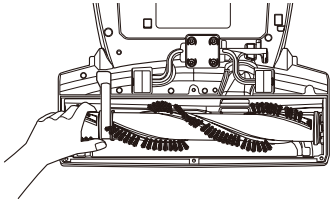


2. שחררו את מכלול הצינור משואב האבק. הפרידו את הצינור ואת המטה באמצעות לחיצה על הלחצן שבחלק העליון של המוט ובדקו שאין חסימות בצינור ובמטה.

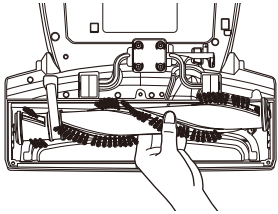


# תחזוקה וניקיון

5. הכניסו את החובט דרך הרצועה, והקיפידו שהרצועה תהיה מיושרת עם הגלגלת של החובט.



6. הכניסו את החובט למקומו, והקיפידו שהלשוניות המעוגלות ייכנסו לתוך השקעים בראש.



7. התקינו חזרה את מכסה מברשת החובט כמתואר לעיל. להזמנת רצועה חלופית, פנו למרכז השירות של LG ובקשו מספר חלק MAS61843401.

## החלפת רצועת החובט

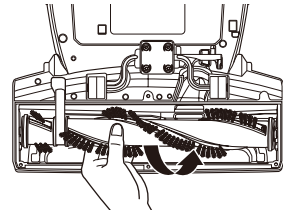
### אזהרה ⚠

סכנת התחשמלות ופציעה  
תמיד יש לנתק את שואב האבק לפני טיפול. אי מילוי  
הוראה זו עלול להסתיים בהתחשמלות או בפציעה.

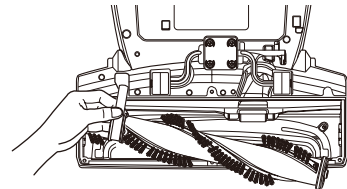
במקרה של קריעת הרצועה, בצעו את השלבים הבאים להחלפת רצועת החובט.

#### להחלפת הרצועה:

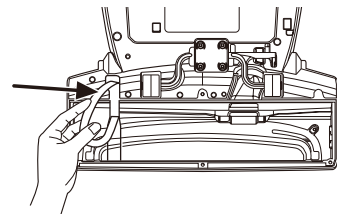
1. הסירו את מכסה מברשת החובט כמתואר לעיל.
2. הוציאו את החובט.



3. שחררו את הרצועה הישנה מגלגלת ההינע. ודאו שלא נלכדו חתיכות מהרצועה הקרועה בחובט או באזור גלגלת ההינע.



4. התקינו את הרצועה החדשה על גלגלת ההינע של מנוע החובט.



## תחזוקת האגיטטור

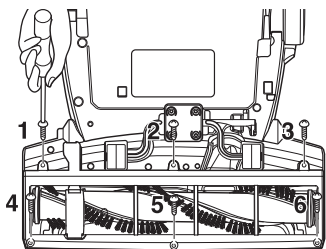
### ⚠ אזהרה

סכנת התחשמלות וחבלה גופנית. תמיד נתקו את שואב האבק ממקור החשמל טרם התעסקות איתו. אי מילוי הוראה זו עלולה לגרום להתחשמלות או לחבלה גופנית.

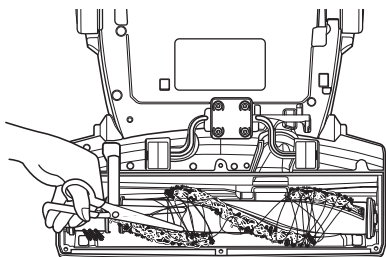
לעתים קרובות בדיקו את אזור מברשת האגיטטור על מנת לראות שאין שם הצטברות של שיער, סיבים ומוך.

### הוצאת מכסה מברשת האגיטטור:

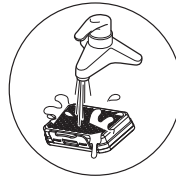
- נתקו את שואב האבק ממקור החשמל. לחצו על דוושת הרגל השמאלית לשחרור הראש הנמיכו את הידיית עד ששואב האבק שוכב ישר על הרצפה.
- הפכו את שואב האבק לצידו השני, כך שהאגיטטור פונה כלפי מעלה.
- הניחו את האגיטטור על גבי מטלית או משטח חלק. הוציאו את ששת הברגים שבתחתית הראש והוציאו את המכסה.



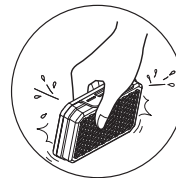
- הוציאו בזהירות סיבים, שיער או כל לכלוך אחר מצטבר מהאגיטטור ומאזור האגיטטור. להתקנת המכסה חזרה למקומו בצעו את השלבים לעיל בסדר הפוך.



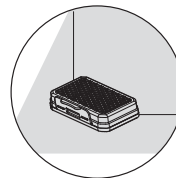
- שטפו את המסנן היטב במים זורמים.



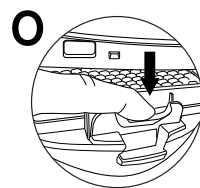
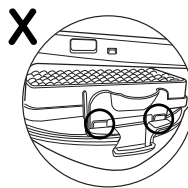
- הסירו לחות.



- יבשו לחלוטין הרחק ממקור שמש.



- וודאו כי הנכם דוחפים את המסנן כלפי מטה עד לנעילתו במקום טרם סגירת מכסה מסנן הפליטה.



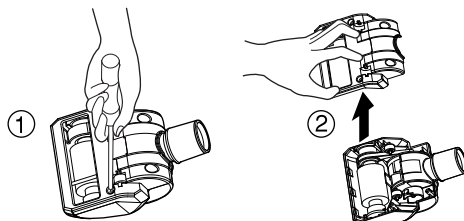
### כלי הטורבינה לניקוי שיער של חיות מחמד לניקוי כלי הטורבינה המיועד לניקוי שיער של חיות מחמד

- הוציאו את ארבעת הברגים שבתחתית כלי הטורבינה לניקוי שיער של חיות מחמד.
- הרימו והוציאו את המכסה.
- הוציאו שרידי פסולת קיימים.

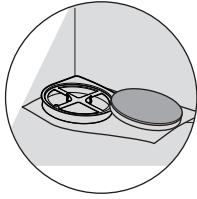
### להרכבה מחדש:

- לחצו בזהירות את המכסה על פני פיסות המתכת עד שהן ננעלות במקומן.
- הכניסו והדקו את הברגים שהוצאו בשלב 1. אין לחזק את הברגים יתר על המידה.

אין לעשות שימוש בכלי הטורבינה לניקוי שיער של חיות מחמד על כל בעל חיים שהוא.



6. יבשו לחלוטין הרחק ממקור השמש.



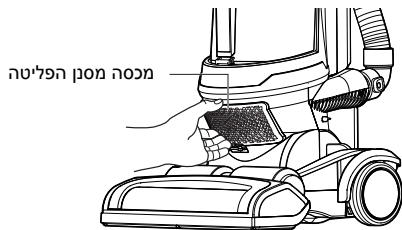
## לעולם אין להפעיל את שואב האבק כשהוא מכיל מסננים רטובים או רכיבים רטובים!

במידה והנכם שמים לב לירידה באיכות השאיבה וניקוי המסנן הספוגי אינו עוזר, עליכם להחליף את המסנן הספוגי. הנכם יכולים לרכוש מסננים ספוגיים נוספים.  
ראה רשימת תחנות שרות.

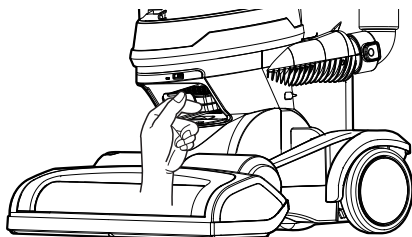
## ניקוי מסנן ה- HEPA לקבלת איכות ביצוע אופטימאלית, בדקו את המסנן בכל 6 חודשים ונקו אותו במידת הצורך

### לניקוי מסנן ה- HEPA:

1. הוציאו את מכסה מסנן הפליטה.



2. הרימו כלפי חוץ את המסנן באמצעות לחיצה על הוו.



## ניקוי מסנן ה- Foam Pre

### ⚠️ זehירות

מסנן רטוב עלול לגרום לנזק תמידי לשואב האבק.  
וודאו כי המסננים יבשים לחלוטין לפני שהנכם מבצעים התקנה מחדש למקום.

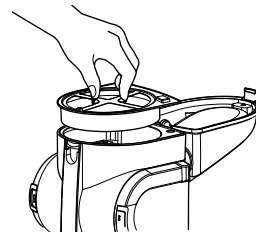
להשגת איכות ביצוע אופטימאלית, בדקו את המסננים בכל 3 חודשים ונקו אותם במידת הצורך.  
אין לסגור את מכסה מיכל האבק ללא מסנן מספוג.

לניקוי מסנן ה- Foam Pre:

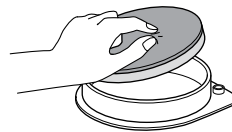
1. הוציאו את מיכל האבק משואב האבק.
2. הרימו את מכסה מיכל האבק ופתחו את המכסה.



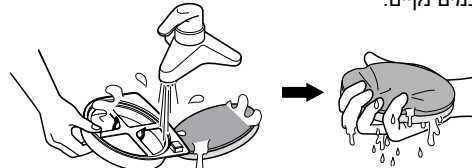
3. הרימו והוציאו את המסנן ה- Foam Pre.



4. הפרידו את המסנן הספוגי ממסגרת המסנן.

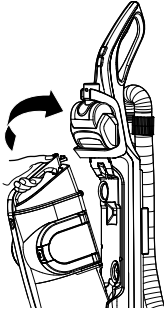


5. נערו כל לכלוך או שרידי פסולת מיותרים ושטפו את המסנן הספוגי ואת מסגרת המסנן במים נקיים.



## להרכבת מיכל האבק חזרה למקומו:

מקמו אותו בתוך התפסן, לאחר מכן הטו אותו לפנים עד שהוא מקליק במקומו. וודאו כי מיכל האבק יושב במקומו כראוי!



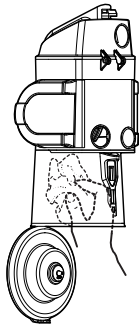
**אזהרה:** אין לגעת בגלגלי השיניים או במפסקים הממוקמים על גבי הגוף המרכזי של שואב האבק, מתחת לפח הזבל.

### ניקוי מיכל האבק

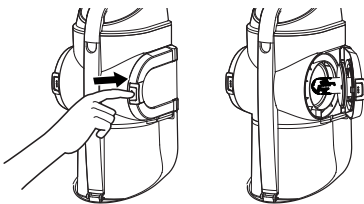
להשגת איכות ביצוע אופטימלית, בדקו מסננים באופן סדיר ונקו אותם בעת הצורך.

### לניקוי מיכל האבק:

1. הוציאו את מיכל האבק משואב האבק.
2. לחצו על שחרור האבק ופתחו את הלוחית התחתונה.
3. נגבו את האבק מהמיכל בעזרת מטלית רכה או מגבת נייר.



4. שחררו את המנעול שבדלת הצדדית הן מצד ימין והן מצד שמאל.



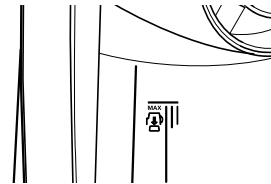
5. הוציאו שיער, סיבים או כל פסולת אחרת ממפריד האבק. אין להוציא את החרוטים המחוברים לדלת הצדדית לניקוי. לעולם אין להפעיל את שואב האבק כאשר הוא מכיל מסננים רטובים או רכיבים רטובים!

## ריקון מיכל האבק

### אזהרה ⚠

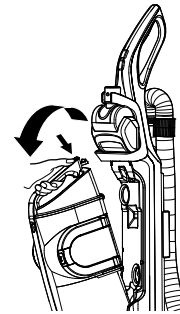
סכנת התחשמלות וחבלה גופנית. תמיד נתקו את כבל החשמל משקע החשמל טרם התעסקות כלשהי עם שואב האבק. אי מילוי הוראה זו עלול לגרום להתחשמלות או לחבלה גופנית עקב תחילת הפעלה פתאומית של שואב האבק.

להשגת איכות ביצועית מרבית, תמיד רוקנו את מיכל האבק כאשר גובה הלכלוך מגיע לקו המקסימום.



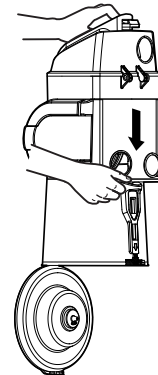
### להוצאת מיכל האבק:

לחצו על הלחצן לשחרור מיכל האבק, הטו את מיכל האבק לאחור ולאחר מכן הטו אותו מחוץ לשואב האבק.



### לריקון מיכל האבק:

לחצו על הלחצן לשחרור ולריקון הלכלוך ממיכל האבק ופתחו את הלוחית התחתונה, כמוצג באיור.



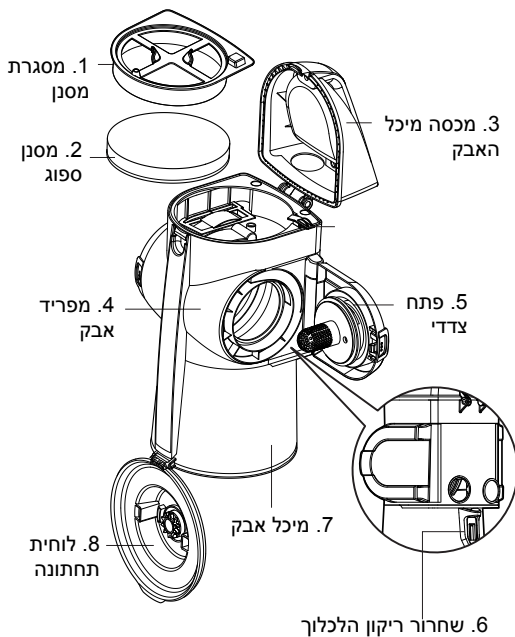
בעת ניקוי וטיפול בשואב האבק, בצעו תמיד את כל אמצעי הזהירות.

## רכיבי מיכל האבק

מיכל האבק מכיל מספר רכיבים מרכזיים. תמיד וודאו כי כל החלקים מותקנים היטב בחזרה לאחר ריקון מיכל האבק. לעולם אין להפעיל את שואב האבק מבלי שכל המסננים יהיו במקומם! לעולם אין להפעיל את שואב האבק עם מסננים אורכיבים רטובים!

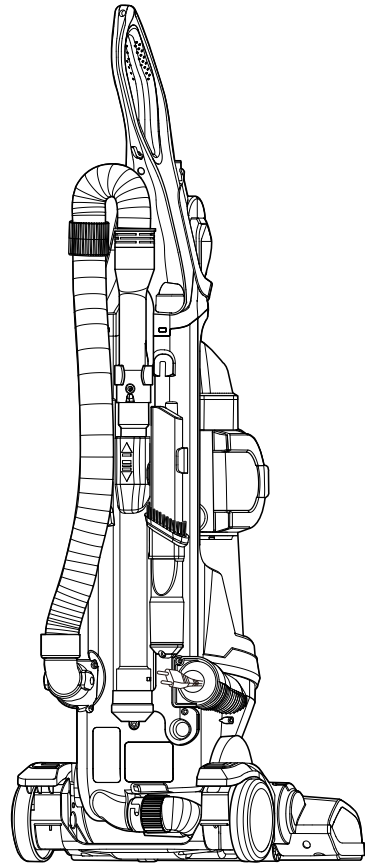
## רכיבים מרכזיים

- 1-2. **Foam Pre**: לוכד חלקיקים בינוניים עד עדינים. הוא מורכב ממסגרת של מסנן ומסנן עשוי מספוג.
3. **מכסה מיכל האבק**: מאפשר פתיחה על מנת להשיג גישה למסנן ה-Foam Pre.
4. **מפריד האבק**: מפריד בין האבק לבין האוויר הנכנס.
5. **פתח צדדי**: נפתח על מנת להוציא לכלוך ממפריד האבק.
6. **שחרור ריקון הלכלוך**: לחצו כלפי מטה על מנת לפתוח את הלוחית התחתונה.
7. **מיכל אבק**: המקום בו הלכלוך מתאסף.
8. **לוחית תחתונה**: נפתחת על מנת לרוקן את מיכל האבק.
9. **מוט (דווש) מייעה**: מונע שימוש ללא מסנן Foam Pre.



## אחסון שואב האבק

כאשר אינו בשימוש, לחצו על לחצן גלילת כבל החשמל לאחסון כבל החשמל. אחסנו את מברשת האיבוק ואת אביזר השאיבה הצר במקומם אשר בחלק האחורי של שואב האבק.





## הגנה מפני העמסת יתר תרמית

שואב אבק זה מכיל מערכת הגנה מפני העמסת יתר תרמית, אשר מופעלת באופן אוטומאטי על מנת להגן על שואב האבק מפני התחממות יתר. במידה וסתימה מפריעה לזרימה הנורמאלית של האוויר למנוע, מערכת ההגנה התרמית מכבה את המנוע באופן אוטומאטי, על מנת לאפשר למנוע להתקרר וזאת בכדי למנוע נזק אפשרי לשואב האבק.

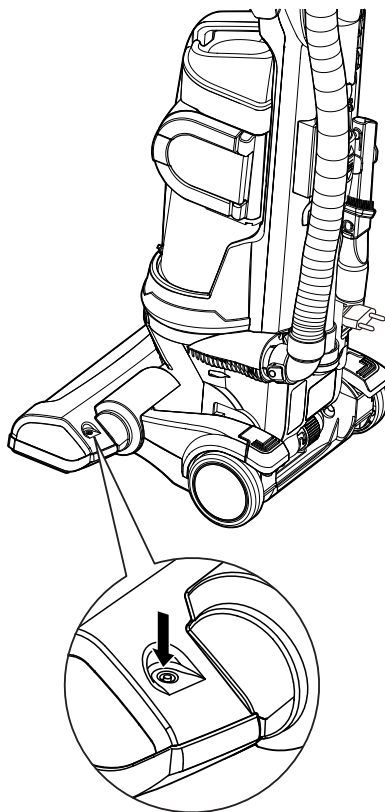
## לתיקון הבעיה: כבו את שואב האבק ונתקו

את כבל החשמל ממקור החשמל. בדקו חסימות והוציאו אותן, במידת הצורך. כמו כן בדקו ונקו מסננים מלוכלכים. המתינו 30 דקות לערך וחברו את שואב האבק חזרה למקור החשמל והפעילו אותו על מנת לראות עם מערכת ההגנה של שואב האבק, התאפסה. מערכת ההגנה התרמית לא תתאפס עד ששואב האבק התקרר לחלוטין.

## הגנה מפני העמסת יתר של מנוע האגיטטור (Agitator)

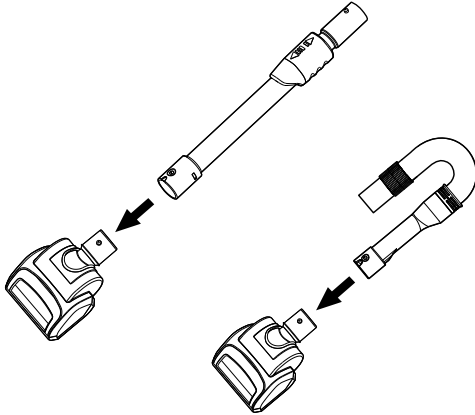
האגיטטור מכיל הגנה מובנית כנגד נזק למנוע במקרה והאגיטטור נתקע. במידה והאגיטטור מאט את פעולתו או עוצר, מערכת ההגנה מפני העמסת יתר של האגיטטור, מכבה את מנוע האגיטטור.

על מנת לפתור את הבעיה: כבו את שואב האבק ונתקו אותו משקע החשמל, הוציאו את החסימה ולחצו על לחצן האיפוס.



## השימוש בכלי הטורבינה לניקוי שיער של חיות מחמד

כלי הטורבינה לניקוי שיער של חיות מחמד, מתחבר למטה כמו שאר החיבורים. הוא מכיל מברשת המופעלת על ידי טורבינת אוויר, במטרה להעניק עוצמת ניקוי נוספת במהלך ניקוי שטיחים ואריגים. כלי זה נהדר לניקוי מדרגות, כריות וריפוד של הרכב.



בעת השימוש בכלי הטורבינה לניקוי שיער של חיות מחמד, בדקו לעתים קרובות שלא מצטברות שיערות, סיבים, מוך ופסולת אחרת באזור המברשת. הצטברות מופרזת עלולה להקטין את יעילות הניקיון ועלולה לגרום נזק לכלי ניקוי שיער חיות המחמד. עיינו בחלק המדבר על טיפול וניקוי לקבלת הוראות ניקוי.

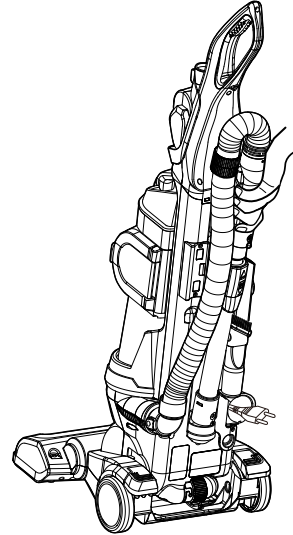
## גרמי מדרגות ורציפים

השתמשו באביזר השאיבה הצר או בכלי הטורבינה לניקוי שיער חיות המחמד לניקוי מדרגות ורציפים. וודאו כי שואב האבק ממוקם כך שהוא לא יכול ליפול או למעוד. עיינו בעמוד 11 לקבל הוראות בכל הנוגע לבחירה ולשימוש בחיבורים.

## התקנת חיבורים

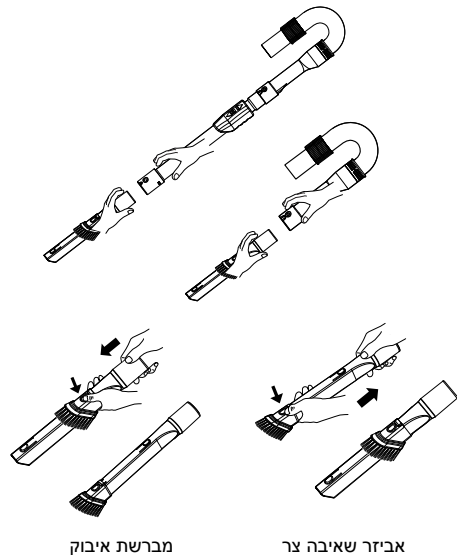
### השימוש במטה ובצינור

1. שחררו את המטה ואת הצינור החזיקו את המטה על גוף המכשיר והטו את המטה.
2. הרימו את המטה כלפי חוץ וכלפי מעלה.



### השימוש באביזר השאיבה הצר

החליקו את אביזר השאיבה הצר על פני קצה המטה או התאימו אותו לתוך הידית.



מברשת איבוק

אביזר שאיבה צר

## טיפים וטריקים

### קצוות שטיח ופינות

לניקוי פינות צרות, קצוות שטיח ולאורך פנלים, השתמשו במברשת האיבוק השתמשו באביזר השאיבה הצר לניקוי אזורים שקשה במיוחד להגיע אליהם.

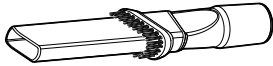
## מברשת לניקוי רהיטים

השתמשו במברשת האיבוק לניקוי רהיטים, קירות וכו'.



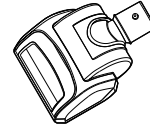
## אביזר שאיבה צר

באביזר השאיבה הצר ניתן להשתמש לניקוי פינות צרות, בין כריות ומגוון מקומות אחרים שקשה להגיע אליהם.

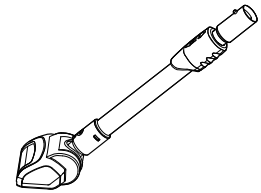


## אביזרים (ציוד היקפי)


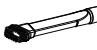

כלי טורבינה לניקוי שיער של חיות מחמד מברשת זו הממונעת בעזרת טורבינת אוויר, נהדרת לניקוי מדרגות וחלקים פנימיים של מבנה, כמו גם להסרת שיער של חיות מחמד, מוך וכו', מאריגים ומשטיחים.



## אין להשתמש על חיות מחמד



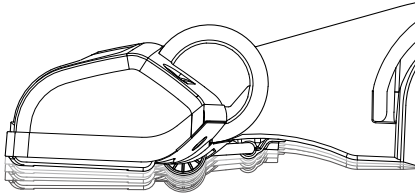
## תרשים לשימוש באביזרים

אזור הניקוי							אביזר
קירות	רצפות מכוסות בשטיחים/ מרבדים	ריפודים למדרגות	יילונות*	רהיטים ומשטחים קשים	משטחים מרופדים	בין כריות	
		●			●	●	 כלי טורבינה לניקוי שיער של חיות מחמד
●	●		●	●	●	●	 מברשת לניקוי רהיטים
						●	 אביזר שאיבה צר

\*תמיד וודאו כי החיבורים נקיים טרם השימוש על גבי אריגים.

## הגדרות מוצעות של גובה סיבים:

יתכן ויהיה עליכם להגביה את הגובה על מנת להקל על חלק מעבודות השאיבה, כגון שאיבת שטיחים אזוריים ושטיחים עם סיבים ארוכים יותר.



להשגת יעילות ביצועית מקסימאלית של ניקוי, הגדרות גובה השטיח הבאות מומלצות:

- L - עבור כל סוגי השטיחים.
- הגדרות גבוהות יותר - עבור שטיח נערם מאוד עמוק, שבו רצוי להשתמש במאמץ דחיפה קל יותר, תוך שמירה על איכות ניקיון טובה.

קיימות 4 הגדרות:  
**H = גבוה**  
**M = בינוני**  
**ML = בינוני נמוך**  
**L = נמוך**

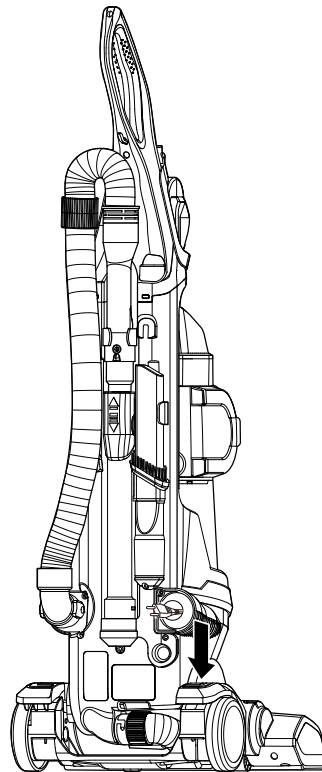
**הערה:** במידה וקשה לדחוף את שואב האבק, לחצו על הגדרת הגובה הבאה של כוונן הגובה.

**שימו לב:** זהירות יתרה נדרשת בעת שאיבת סוגים מסוימים של שטיחים או רצפות. תמיד בדקו את הוראות ניקוי היצרן של השטיח או של כיסוי הרצפה טרם הניקוי.

## כוונן גובה סיבי השטיח

**לכוונן גובה הסיבים:**

כאשר הכרחי להגביה ולהנמיך את החלק הקדמי של שואב האבק לניקוי מגוון גבהים של סיבי שטיחים, לחצו על דוושת הרגל הימנית לכוונן גובה הסיבים. כל לחיצה תגביה את האגיטטור בחריץ אחד.

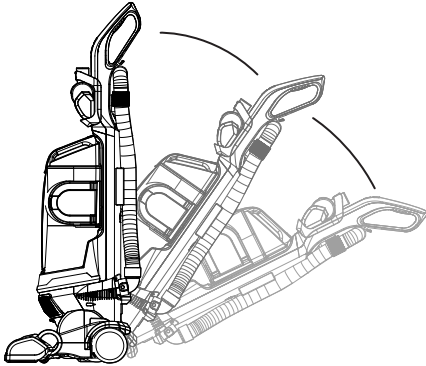
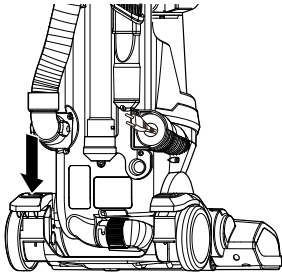


## אזהרה

סכנה של חבלה גופנית  
אין למקם את שואב האבק על מדרגות, תמיד השאירו את המכשיר על הרצפה.

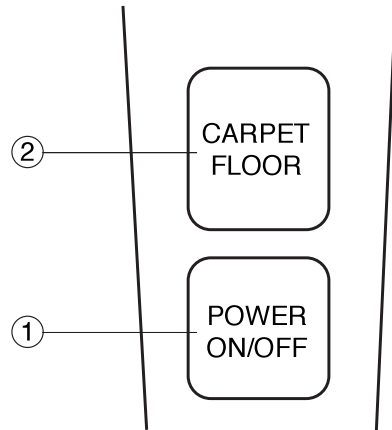
### פעולת שחרור גוף המכשיר

- על מנת להתחיל את פעולת השאיבה, לחצו על הדוושה שבצד השמאלי של מתקן שחרור שואב האבק.
- הערה:** כאשר שואב האבק במצב מאונך האגיטטור לא יפעל.



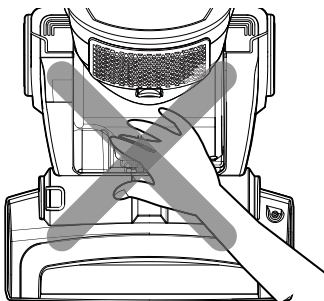
### פעולת הבקרה

1. הפעלה/כיבוי מקור החשמל:  
להפעלה ולכיבוי שואב האבק.
  2. שטיח/רצפה:  
על מנת לעבור את האגיטטור ממצב הפעלה למצב כבוי.
- הערה:** שטיח = האגיטטור מופעל, רצפה = האגיטטור כבוי. האגיטטור לא יסתובב כאשר שואב האבק במצב מאונך.



## אזהרה

אין לשים דבר בין הגוף המרכזי לבין ראש שואב האבק.  
עלולים להגרם חבלה גופנית או נזק למוצר.

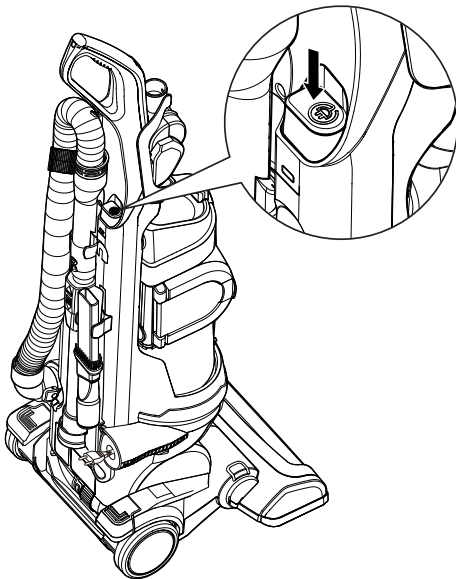


## אזהרה ⚠

**סכנה לפגיעה אישית ולנזק למוצר!  
אין להשתמש בשקעים מעל דלפקים.  
נזק לפריטים באזור הסובב עלול להיגרם.**

### אחסון כבל החשמל

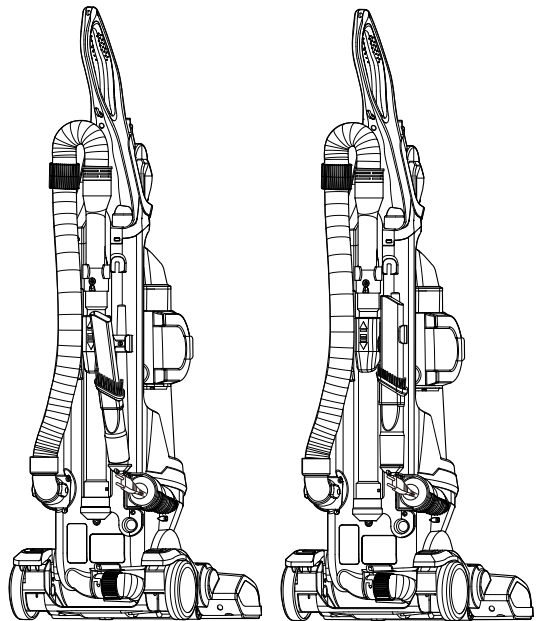
על מנת לשחרר את כבל החשמל:  
אחזו בתקע החשמל ומשכו את כבל החשמל  
לאורך כבל הרצוי לכם.  
לאחסון כבל החשמל:  
אחזו בתקע החשמל ולחצו על לחצן גלילת  
כבל החשמל לאחור שבצד האחורי של הידית.  
על מנת למנוע הצלפה של כבל החשמל, אחזו  
בתקע החשמל עד שכבל החשמל מגולל לאחור.



**הערה:** להפחתת הסכנה מפני התחשמלות, מכשיר זה מכיל תקע חשמלי מקוטב (להב אחד רחב יותר מהאחר). תקע חשמלי זה יתאים לשקע חשמלי מקוטב בצורה חד כיוונית. במידה ותקע החשמל אינו נכנס עד הסוף לשקע החשמל, הפכו את תקע החשמל. במידה והוא עדיין לא מתאים, צרו קשר עם חשמלאי מוסמך שיבוא ויתקין שקע חשמלי מתאים. אין להחליף את תקע החשמל בשום דרך.

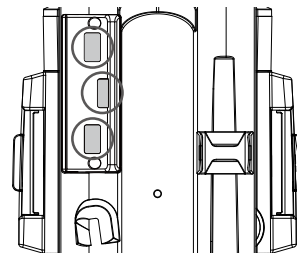
### אחסון עזרים (ציוד היקפי)

שואב האבק שלכם מתאפיין באחסון נוח עבור מברשת האיבוק ואביזר השאיבה הצר.  
• הכניסו את מברשת האיבוק ואת אביזר השאיבה הצר על גוף שואב האבק.



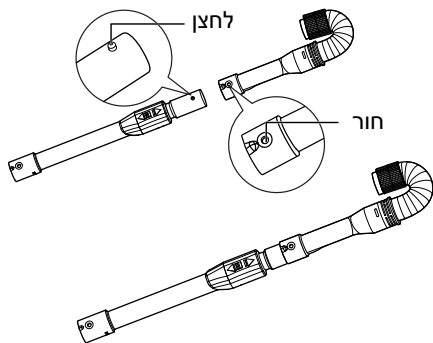
### זהירות ⚠

אחסון הצינור מורכב משני מגנטים חזקים. שלושה מגטי הרחיקו ציוד אלקטרוני או חפצי פלדה מסוכנים ממקום אחסון הצינור.

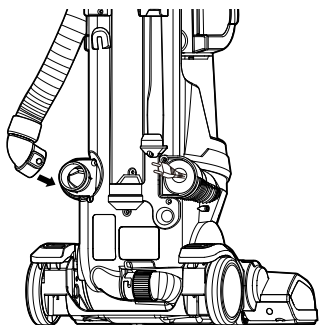


## חיבור הצינור

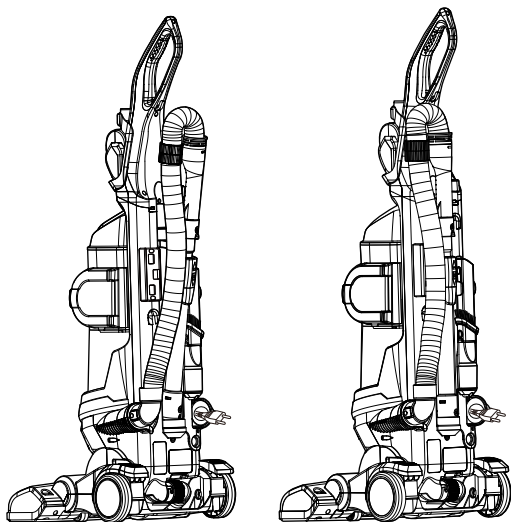
1. הכניסו את המטה לתוך צינור הידית



2. חברו את הצד הנגדי של הצינור על גבי הגוף המרכזי של שואב האבק.

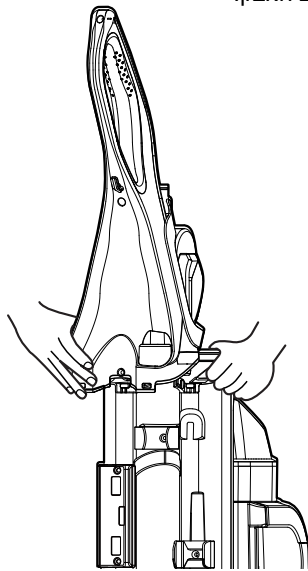


3. יישרו את הצינור עם התפסן שבצד שואב האבק והניחו את קצה המטה על פני הגוף המרכזי של שואב האבק.



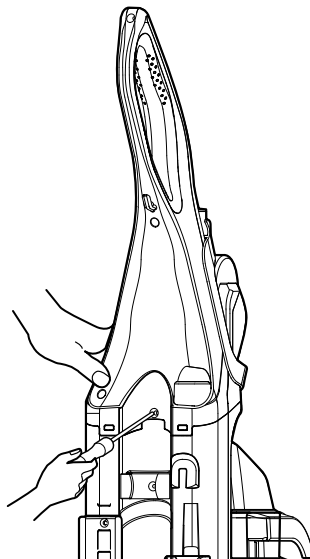
## חיבור ידית

1. החליקו את הידית על פני הגוף המרכזי של שואב האבק.



2. הכניסו את הבורג לתוך הצד האחורי של הידית וחזקו תוך שימוש במברג ראש פיליפס.

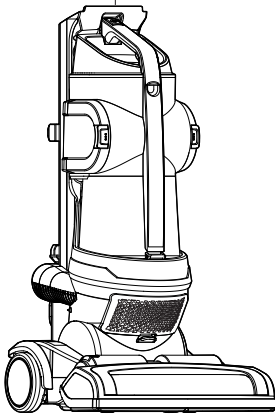
**אזהרה** ⚠️  
חזקו את הבורג כמה שיותר. פגיעה אישית או נזק למוצר עלולים להיגרם אם הדבר לא ייעשה.



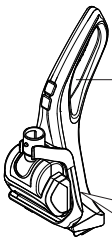
להקטנת הסכנה מפני נזק למוצר בעת המשלוח שלו, שואב האבק שלכם נשלח לא מורכב בחלקו.

## חלקי ההרכבה

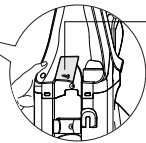
1. גוף שואב האבק



2. ידית עם כלי טורבינה לשיער של חיות מחמד



6. מברשת איבוק ואביזר שאיבה צר



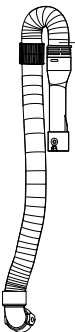
3. בורג חיבור ידית



4. מטה מתכוונן



5. צינור



7. מסנן ספוג נוסף



## הוצאת שואב האבק מאריזתו

הוציאו בזהירות את שואב האבק מאריזתו וודאו כי הוא מכיל את כל החלקים לפי שאתם זורקים את האריזה.

הוציאו כל סרט הדבקה, תוספות קרטון וסרט הגנה טרם הרכבת המוצר.

הפריטים הארוזים בארגז:

1. גוף שואב אבק
2. ידית עם מכשיר טורבינה לשיער של חיות מחמד
3. מברשת איבוק ואביזר שאיבה צר
4. מטה מתכוונן
5. צינור
6. בורג לחיבור ידית
7. מסנן ספוג נוסף



# חלקים ותכונות

חשוב להכיר את חלקי שואב האבק שלכם ואת מאפייניו על מנת להבטיח שימוש נכון ובטוח בו. בצעו סקירה של אלו טרם השימוש בשואב האבק שלכם.

## כלי עזר



מכשיר טורבינה לשיער של חיות מחמד

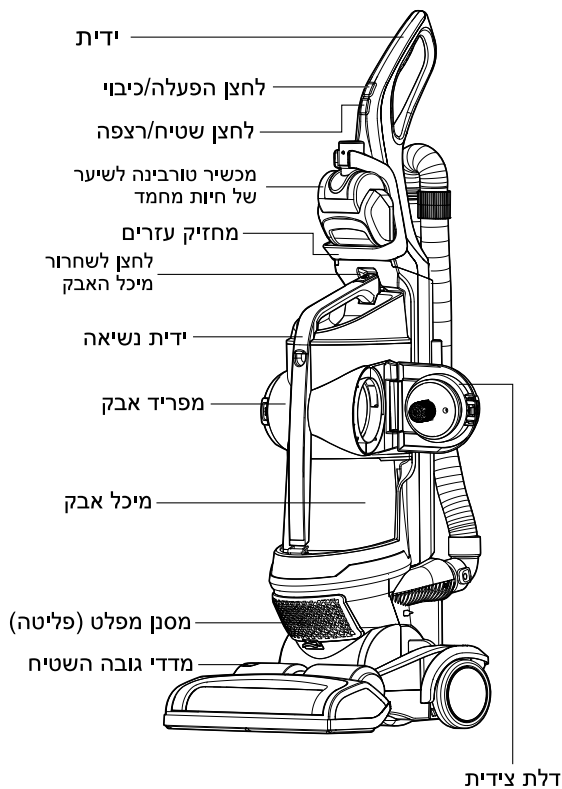
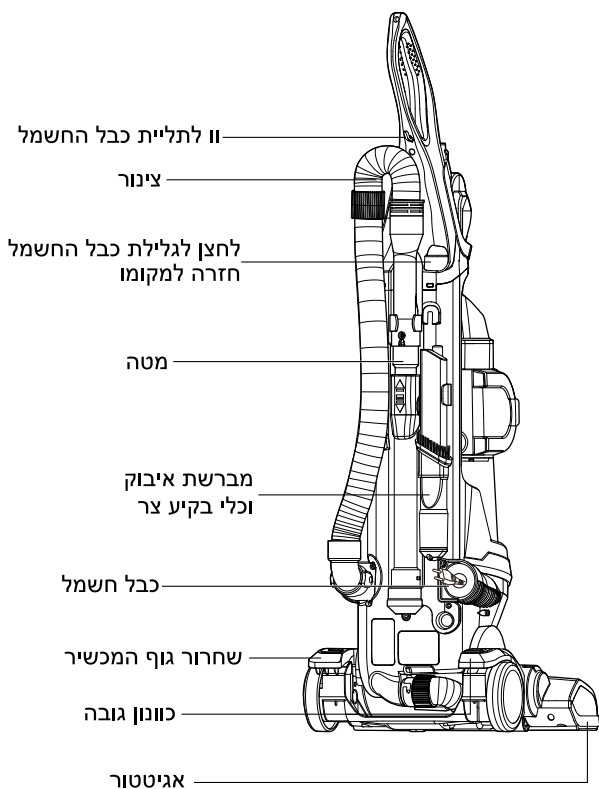


מברשת איבוק ואביזר שאיבה צר

## החלפת חלקים משותפים

ניקוי מסנן ה-HEPA		ADQ72913302
קדם-מסנן ספוגי (ADV72987202)	מסגרת מסנן	MDQ62256901
	מסנן ספוגי	MDJ61980603
רצועת החובט		MAS61843401

שירות קשר LG לסדר את החלקים



## אזהרה

- תיקונים של מכשירי חשמל ניתנים להיעשות רק על ידי מהנדסי שירות מוסמכים. תיקון לא נכון עשוי לגרום לסכנות רציניות למשתמש.
- אין לשים אצבעות בקרבת הגיר. אי ציות להוראה זו עלול לגרום לפגיעה אישית.
- אין להשתמש במכשיר זה במקום חיצוני או על גבי משטחים רטובים. אי ציות להוראה זו עלולה לגרום להתחשמלות או לפגיעה אישית.
- אין לשים דבר, בין גוף שואב האבק לבין מרווח ראש האגיטטור. פגיעה אישית או נזק למוצר או נזק ליצור חי עלולים להיגרם עקב אי ציות להוראה זו.
- הכבלים החשמליים, חוטי החשמל ו/או הכבלים החשמליים המסופקים לכם יחד עם מוצר זה, מכילים חומרים כימיים, כולל עופרת או תרכובות עופרת, הידועים למדינת קליפורניה כחומרים הגורמים לסרטן ולמומים מולדים או לנזקים אחרים לילוד. שטפו ידיים לאחר השימוש.

## זהירות

- אין לשים חפצים כלשהם לתוך הפתחים. אי ציות להוראה זו עלול לגרום לנזק למוצר.
- אין להשתמש במוצר זה עם פתחים חסומים: מנעו הצטברות של אבק, מוך, שיער וכל דבר אחר שעשוי להקטין את זרימת האוויר, מהפתחים. אי ציות להוראה זו עלול לגרום לנזק למוצר.
- אין להשתמש בשואב אבק ללא מיכל אבק ו/או מסננים במקומם. אי ציות להוראה זו עלול לגרום לנזק למוצר.
- תמיד נקו את מיכל האבק לאחר שאיבת חומרי ניקוי לשיטחים או חומרים מרעננים לשיטחים, אבקות ואבק דק. מוצרים אלו סותמים את המסננים, מקטינים את זרימת האוויר ועלולים לגרום נזק למכשיר הניקוי. אי ביצוע ניקיון של מיכל האבק עלול לגרום לנזק לצמיחות לשואב האבק.
- אין להשתמש בשואב האבק על מנת להרים חפצים חדים וקשים, צעצועים קטנים, סיכות, מהדקי נייר וכו'. אלו עלולים לגרום נזק לשואב האבק או למיכל האבק.
- אחסנו את שואב האבק במקום סגור. הניחו את שואב האבק במקום רחוק לאחר השימוש בו וזאת על מנת למנוע מעידה מעליו.
- מכשיר חשמלי זה אינו מיועד לשימוש על ידי אנשים (כולל ילדים) עם לקויות גופניות, לקויות תחושתיות או נפשיות, או אנשים חסרי ניסיון וידע, אלא אם כן הושמה עליהם השגחה או ניתנה להם הנחיה בכל הנוגע לשימוש במכשיר חשמלי זה על ידי אדם אחראי לבטיחותם. ילדים חייבים להימצא תחת השגחה על מנת להבטיח כי הם אינם משחקים על מכשיר חשמלי זה.
- השתמשו אך ורק בחלקים אשר יוצרו או הומצו על ידי נציגי שירות האלקטרוניקה של חברת LG. אי ציות להוראה זו עלול לגרום לנזק למוצר.
- עשו במכשיר זה שימוש אך ורק כמתואר במדריך הוראות זה. עשו שימוש במכשיר זה רק עם חיבורים או עזרים המומלצים או מאושרים על ידי חברת LG. אי ציות להוראה זו עלול לגרום לנזק אישי או לנזק למוצר.
- על מנת למנוע פגיעה אישית ועל מנת למנוע מהמכשיר ליפול בעת ניקוי מדרגות, תמיד הניחו אותו בתחתית המדרגות. אי ציות להוראה זו עלול לגרום לפגיעה אישית או לנזק למוצר.
- השתמשו בצינורות עזר (נלווים) במצב sofa. אי ציות להוראה זו עלול לגרום לנזק למוצר.
- וודאו כי המסננים (מסנן מפלט ומסנן הבטיחות של המנוע) יבשים לחלוטין טרם החזרתם לתוך המכשיר. אי ציות להוראה זו עלול לגרום לנזק למוצר.
- אין לייבש את המסנן בתנור או במיקרוגל. אי ציות להוראה זו עלול לגרום לסכנת דליקה.
- אין לייבש את המסנן במייבש כביסה. אי ציות להוראה זו עלול לגרום לסכנת דליקה.
- אין לייבש בקרבת להבה פתוחה. אי ציות להוראה זו עלול לגרום לסכנת דליקה.
- תמיד כבו את שואב האבק טרם חיבור או ניתוק הצינור. פגיעה אישית או נזק למוצר עלולים להיגרם.
- הרכבה נכונה ושימוש בטוח של שואב האבק שלכם הינם באחריותכם.

## שמרו על הוראות אלו

### מגן תרמי:

שואב אבק זה מכיל וסות חום תרמי המגן על שואב האבק במקרה של התחממות יתר של המנוע. במידה ושואב האבק נכבה באופן פתאומי, כבו את מתג החשמל ונתקו את שואב האבק ממקור החשמל. בדקו האם ישנו מקור אפשרי של התחממות יתר של שואב האבק, כגון מיכל אבק מלא, צינור חסום או מסנן חסום. במידה ותנאים אלו נמצאו קיימים, תקנו אותם והמתינו לכל הפחות 30 דקות לפני שאתם מנסים להשתמש בשואב האבק. לאחר פרק הזמן בן 30 הדקות, חברו את שואב האבק חזרה לשקע החשמל והדליקו את מפסק החשמל. במידה ושואב האבק עדיין אינו פועל, צרו קשר עם חשמלאי מוסמך.

# קראו את כל ההוראות טרם השימוש

כאשר באמצעות מכשיר חשמלי, אמצעי הזהירות הבסיסיים צריכה להיות תמיד הלך, כולל את הפעולות הבאות:

## יש לקרוא את כל ההוראות לפני השימוש

### הוראות בטיחות חשובות

קראו ומלאו אחר כל ההוראות טרם השימוש בשואב האבק שלכם וזאת על מנת למנוע סכנה מפני דליקה, התחשמלות, חבלה גופנית או נזק בזמן השימוש בשואב האבק. מדריך זה אינו מכסה את כל המצבים האפשריים אשר עשויים להתרחש. תמיד צרו קשר עם נציג השירות שלכם או עם היצרן בכל הנוגע לבעיות שאינן מובנות לכם. מכשיר זה תואם להנחיות ה- EC הבאות: 2004/108/EC EMC Directive 2006/95/EC Low Voltage Directive.

זהו סמל האזהרה הבטיחותית. סמל זה מתריע מפני סכנות אפשריות שעלולות להרוג או לפגוע בכך או באחרים. כל הודעות הבטיחות ילוו את סמל האזהרה הבטיחותית ואת המילה "אזהרה" או "זהירות".



סמל זה יתריע מפני סכנות או שימושים לא בטיחותיים שעלולים לגרום לנזק רציני לגוף או למוות.

### אזהרה



סמל זה יזהיר אתכם מפני סכנות או שימושים לא בטיחותיים שעלולים לגרום לנזק לגוף או לנזק לרכוש.

### זהירות



על מנת להפחית את הסכנה מפני דליקה, מכת חשמל או פגיעה:

### אזהרה



- אין להשתמש בשואב האבק במידה וכבל החשמל או תקע החשמל פגומים או מקולקלים. פגיעה אישית או נזק למוצר עלולים להיגרם עקב אי ציות להוראה זו. במקרים אלו צרו קשר עם נציג שירות האלקטרוניקה של חברת LG על מנת למנוע סכנה.
- אין להשתמש בשואב אבק במידה והוא היה שרוי מתחת למים. פגיעה אישית או נזק למוצר עלולים להיגרם עקב אי ציות להוראה זו. במקרים אלו צרו קשר עם נציג שירות האלקטרוניקה של חברת LG על מנת למנוע סכנה.
- אין להמשיך לשאוב במידה ואי אלו חלקים של המוצר נראים חסרים או פגומים. פגיעה אישית או נזק למוצר עלולים להיגרם עקב אי ציות להוראה זו. במקרים אלו צרו קשר עם נציג שירות האלקטרוניקה של חברת LG על מנת למנוע סכנה.
- אין להשתמש בכבל מאריך עם שואב אבק זה. סכנת דליקה או נזק למוצר עלולים להיגרם עקב אי ציות.
- יש להשתמש במתח חשמלי נכון. השימוש במתח חשמלי לא נכון עשוי לגרום לנזק למנוע ולפגיעה אפשרית במשתמש. מתח חשמלי נכון רשום בתחתית השואב.
- כבו את כל לחצני הבקרה טרם ניתוק תקע החשמל מהתחשמלות או לפגיעה אישית.
- אין לשנות את תקע החשמל בשום דרך. אי ציות להוראה זו עלול לגרום להתחשמלות או לפגיעה אישית או לנזק למוצר. דבר זה גורם למוות. במידה ותקע החשמל אינו מתאים, צרו קשר עם חשמלאי מוסמך להתקנת שקע.
- נקטו זהירות יתרה בעת ניקוי המדרגות.
- אין לעזוב מכשיר חשמלי לבד בזמן שהוא מחובר למקור חשמל. נתקו אותו משקע החשמל בזמן שאינו בשימוש וטרם ההתעסקות בו.
- החזיקו את תקע החשמל בעת גלילת כבל החשמל על פני מגולל הכבל. אין לאפשר לתקע החשמל להצליף בעת החזרתו לאחור.

- נתקו את מקור אספקת החשמל טרם התעסקות או ניקוי המכשיר או כאשר שאב האבק אינו בשימוש. אי ציות להוראה זו עלול לגרום למכת חשמל או לפגיעה אישית.
- אין להשתמש בשואב אבק על מנת להרים כל דבר בוער או מעלה עשן כגון סיגריות או אפר חם. אי ציות להוראה זו עלול לגרום למוות, לדליקה או למכת חשמל.
- אין לשאוב חומרים דליקים או נפיצים כגון בנזין, בנזן, חומרים מדללים, פרופן (נוזלים או גזים). האדים היוצאים מחומרים אלו עלולים לגרום לדליקה, לסכנה או לפיצוץ. אי ציות להוראה זו עלולה לגרום למוות או לפגיעה אישית.
- אין לגעת בתקע החשמל או בשואב האבק עם ידיים רטובות. אי ציות להוראה זו עלולה לגרום למוות או להתחשמלות.
- אין לנתק את תקע החשמל משקע החשמל באמצעות משיכת הכבל. אי ציות להוראה זו עלולה לגרום לנזק למוצר או להתחשמלות. לניתוק המכשיר ממקור החשמל, אחזו בתקע החשמל ולא בכבל החשמל.
- הרחיקו שיער, פרטי לבוש רופפים, אצבעות וכל חלקי הגוף מפתחים ומחלקים זזים. אי ציות להוראה זו עלולה לגרום להתחשמלות או לפגיעה אישית.
- אין למשוך או לשאת את המכשיר בעזרת כבל החשמל, לעשות שימוש בכבל החשמל כמו ידיה, לסגור דלת על כבל החשמל או למשוך את כבל החשמל סביב קצוות חדים או פינות. אין למשוך את שואב האבק מעל כבל החשמל. הרחיקו את כבל החשמל ממשטחים מחוממים. אי ציות להוראה זו עלולה לגרום להתחשמלות או לפגיעה אישית או לדליקה או לנזק למוצר.
- אין לאפשר שימוש במכשיר זה כצעצוע. השגחה צמודה הכרחית בזמן השימוש על ידי או בקרבת ילדים. פגיעה אישית או נזק למוצר עלולים להיגרם עקב אי ציות להוראה זו.

<b>5</b>	<b>1</b>
<b>תחזוקה וניקיון</b>	<b>מידע בטיחותי חשוב</b>
14	3
14	
15	<b>2</b>
15	<b>חלקים ותכונות</b>
16	5
16	5
17	
17	<b>3</b>
18	<b>הרכבה</b>
19	6
20	6
20	7
20	7
20	8
20	8
<b>6</b>	
<b>איתור תקלות</b>	
21	<b>4</b>
21	<b>הפעלה</b>
	9
	9
	10
	11
	11
	12
	12
	12
	12
	12
	12
	12
	13
	13
	13

# מדריך למשתמש שואב אבק

נא לקרוא היטב מדריך זה לפני הפעלה או הגדרה, ולשמור עליו לעיון בעתיד.

LuV200R