



# OWNER'S MANUAL

# DISHWASHER

# LINE

Please read this manual carefully before operating your dishwasher. Retain it for future reference.


D1417W(L,M,T,B,C,D)F(B,U)  
D1418W(L,M,T,B,C,D)F(B,U)  
D1419W(L,M,T,B,C,D)F(B,U)



|                                 |    |
|---------------------------------|----|
| SAFETY AND CAUTION              | 3  |
| INSTALLATION INSTRUCTIONS       | 5  |
| PARTS NAME                      | 9  |
| FUNCTION OF CONTROL BUTTON      | 10 |
| BEFORE USING FOR THE FIRST TIME | 13 |
| HOW TO USE AND OPERATE          | 15 |
| OPERATING SEQUENCE              | 22 |
| PROGRAM                         | 23 |
| USER MAINTENANCE INSTRUCTIONS   | 24 |
| TROUBLE SHOOTING GUIDE          | 25 |
| SPECIFICATION                   | 28 |

# S AFETY AND CAUTION

## IMPORTANT SAFETY INSTRUCTIONS

 **WARNING** - When using your dishwasher, follow basic precautions, including the following:

- Please read this manual carefully before using the dishwasher for the first time.
- This manual contains very important notes regarding the installation, use and maintenance of your dishwasher.
- The manufacturer can not be responsible for problems caused by ignoring these safety and caution instructions.
- This dishwasher is designed for normal household use.
- Do not use the dishwasher for industrial and commercial use, or other purpose.
- The appliance is not intended for use by young children or infirm persons without supervision.
- Check packaging and dishwasher immediately for signs of transport damage. If the appliance is damaged, do not put it into use but contact your supplier without delay.

### ■ During installation

- Electrical connection must be in accordance with the rating label.
- Electrical safety is only guaranteed when the earth system of your house is in accordance with the related local regulations. (Do not use an extension cable or cord.)
- If the hot water exceeds 65°C, adjust the water heater setting. If the hot water temperature can not be maintained below 65°C, the dishwasher must be connected to cold water.
- If power supply cord is damaged, it must only be replaced by the manufacturer or its service agent or a similar qualified person in order to avoid a hazard.
- This appliance must be positioned so that the plug is accessible.
- The appliance is to be connected to the water mains using new hose-sets and that old hose-sets should not be reused.

### ■ During use

- Only suitable household utensils should be placed in the dishwasher.  
(Please avoid utensils; that are non-heatresistant, metal decorated, etc.)
- Do not use any kinds of solvent in your dishwasher. They may cause an explosion or fire.
- Do not spray water on the appliance.  
It may cause the failure of electric parts or electric shock.
- Do not push down or sit on the inner door when the door opened. It may cause the deformation or failure of your dishwasher.
- Do not use the detergent for hand washing.  
The detergent for dishwasher should be used for normal operation.
- This appliance is fitted with a safety function that automatically stops the operation of the dishwasher when it is exposed to heavy disturbance on its mains.
- Dishwasher detergents are strongly alkaline. They can be extremely dangerous if swallowed. Avoid contact with skin and eyes and keep children away from the dishwasher when the door is open.  
Check that the detergent receptacle is empty after completion of the wash cycle.

### ■ Child Safety

- Controls may be locked using “Child Lock” mode to prevent from all the setting from being changed by a child.
- Keep children away from detergents and rinse-aids.
- Do not allow children to operate the dishwasher.
- Young children should be supervised to ensure that they do not play with the appliance.

- All batteries (whether installed or attached) should not be exposed to excess heat like sunlight or similar source.

# S AFETY AND CAUTION

## CAUTION concerning the Power Cord

Most appliances recommend they be placed upon a dedicated circuit; that is, a single outlet circuit which powers only that appliance and has no additional outlets or branch circuits. Check the specification page of this owner's manual to be certain.

Do not overload wall outlets. Overloaded wall outlets, loose or damaged wall outlets, extension cords, frayed power cords, or damaged or cracked wire insulation are dangerous. Any of these conditions could result in electric shock or fire. Periodically examine the cord of your appliance, and if its appearance indicates damage or deterioration, unplug it, discontinue use of the appliance, and have the cord replaced with an exact replacement part by an authorized servicer.

Protect the power cord from physical or mechanical abuse, such as being twisted, kinked, pinched, closed in a door, or walked upon. Pay particular attention to plugs, wall outlets, and the point where the cord exits the appliance.

## CAUTION The instructions shall state the substance of the following :

This appliance is not intended for use by persons (including children) with reduced physical, sensory or mental capabilities, or lack of experience and knowledge, unless they have been given supervision or instruction concerning use of the appliance by a person responsible for their safety. Children should be supervised to ensure that they do not play with the appliance.

## SAVE THESE INSTRUCTIONS

### GROUNDING INSTRUCTIONS

This appliance must be grounded. In the event of a malfunction or breakdown, grounding will reduce the risk of electric shock by providing a path of least resistance for electric current. This appliance is equipped with a cord having an equipment-grounding conductor and a grounding plug. The plug must be plugged into an appropriate outlet that is installed and grounded in accordance with all local codes and ordinances.

**WARNING** - Improper connection of the equipment-grounding conductor can result in a risk of electric shock. Check with a qualified electrician or service representative if you are in doubt whether the appliance is properly grounded. Do not modify the plug provided with the appliance; if it will not fit the outlet have a proper outlet installed by a qualified electrician.

### Disposal of your old appliance

1. When this crossed-out wheeled bin symbol is attached to a product it means the product is covered by the European Directive 2002/96/EC.
2. All electrical and electronic products should be disposed of separately from the municipal waste stream via designated collection facilities appointed by the government or the local authorities.
3. The correct disposal of your old appliance will help prevent potential negative consequences for the environment and human health.
4. For more detailed information about disposal of your old appliance, please contact your city office, waste disposal service or the shop where you purchased the product.



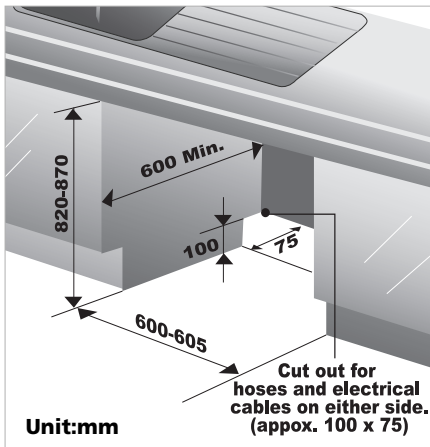
# INSTALLATION INSTRUCTIONS

## ⚠ WARNING

A qualified electrician/plumber or competent person should carry out any electrical/plumbing work required to install this appliance.

### Step 1 : PREPARE CUPBOARD OPENING

- 1 This dishwasher is designed to fit the size shown as below.
- 2 Select a location as close to sink as possible for ease of connection to the water and drain pipes.
- 3 To ensure good drainage, the dishwasher should not be installed more than 3 meters away from the sink.
- 4 If dishwasher is installed in a corner, a minimum of 5cm of space is required between the washer and an adjacent cabinet or wall.



Any bare wood surrounding the dishwasher should be sealed with a waterproof paint or sealant to prevent swelling.

### Step 2 : PREPARATION FOR ELECTRICAL WIRING

## ⚠ CAUTION

For personal safety, remove house fuse or open circuit breaker before installation. Do not use an extension cord or adapter plug with this appliance. Electrical and earthing connections must comply with the national electrical code/provincial and municipal code and/or other local codes.

- 1 This appliance must be supplied with correct rating voltage and hertz as shown on instruction manual, and connected to an individual, properly earthed branch circuit, protected by a minimum 15 amp circuit breaker or time delay fuse. Wiring must be 2 wire with Earth.
- 2 The power plug must be in a accessible location adjacent to and not behind the dishwasher and within 1.2 meters of the dishwasher side.(See page 7 Fig.A)
- 3 The power plug must be correctly earthed, if in doubt, have it checked by a qualified Electrician. No other appliance should be connected to the same plug outlet by a double adapter or similar plug.

## Dangerous voltage

**5036**

To indicate hazards arising from dangerous voltages.

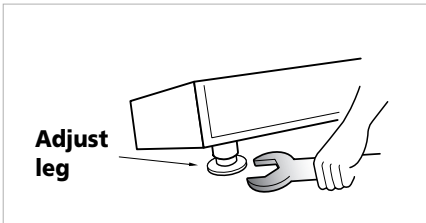


*Note – In case of application in a warning sign the rules according to ISO 3864 shall be adhered to.*

# INSTALLATION INSTRUCTIONS

## Step 3 : PREPARING THE DISHWASHER FOR INSTALLATION

- 1 Lay the dishwasher on its back.
- 2 Adjust the legs to the required height as shown in below figure.

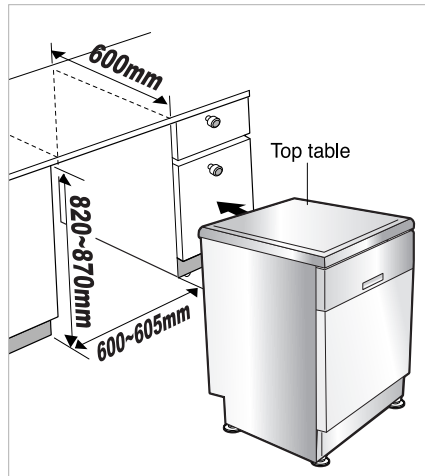


## Step 4 : INSTALLING THE DISHWASHER IN CUPBOARD

- 1 Before sliding the dishwasher into the cupboard opening, all necessary height and balancing adjustments should be made using a spanner.
- 2 Slide the dishwasher into the cabinet opening carefully. Make sure that the drain hose inside the cabinet is not kinked or stretched.

### ⚠ CAUTION

If the height of the cupboard is below 850mm, you should remove the top table by unscrewing the 2 screws. (Two of rear)



# INSTALLATION INSTRUCTIONS

## Step 5 : DRAIN LINE CONNECTION

- 1 If the end of drain hose does not fit to the drain line, use a rubber connector(not supplied) that is resistant to heat and detergent.
- 2 This should be available from a plumbing shop or DIY merchants.
- 3 There are two typical connections as shown in Figure A, B.

The “S” trap spigot must be drilled out cleanly and free of obstruction to its maximum internal diameter, if used for drainage.

To prevent siphoning, one of the following methods must be used:

- When the drain hose is connected to a sink “s” trap or waste disposal unit, the hose must be looped up to the underside of the bench top and secured.

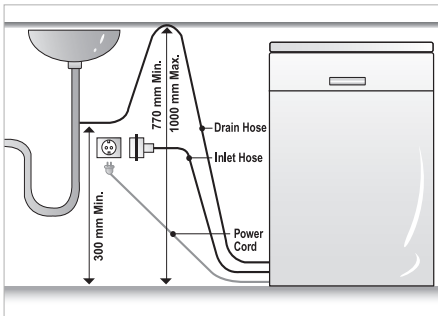


Fig. A

- When the drain hose is connected to a separate standpipe, it is essential that an airtight connection be made. Refer to Fig.B

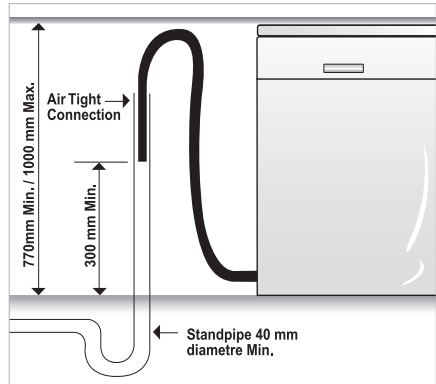
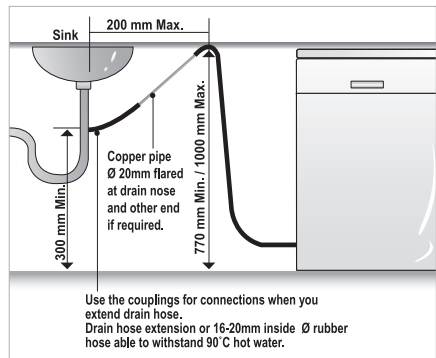


Fig. B : Drainage connection - stand pipe.

## Drain hose Extension

Extend drain hose as shown below.



## ⚠ CAUTION

When you connect or extend drain hose, make sure that drain hose is not kinked. (Bends should have a 40 mm radius.)

# INSTALLATION INSTRUCTIONS

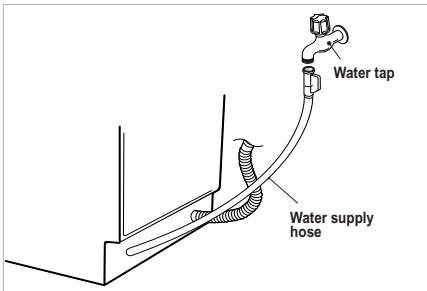
## Step 6 : WATER SUPPLY CONNECTION

**1** Connect the water supply hose to the water tap as shown.(Some models consist of an inlet valve and hose.) This dishwasher may be fed with either hot or cold water. If the water can not be maintained below 65°C, the dishwasher must be connected to cold water.

**2** When connecting, the sealant tape or sealing compound to avoid water leaks.

Make sure that the line is not kinked or sharply bent.

The new hose-sets supplied with the appliance are to be used and that old hose-sets should not be reused.



## Step 7 : FINAL CHECK AND ASSEMBLING

**1** Securely hand tighten supply hose to the water supply.  
Plug the power supply cord into an earthed electrical point and switch on.

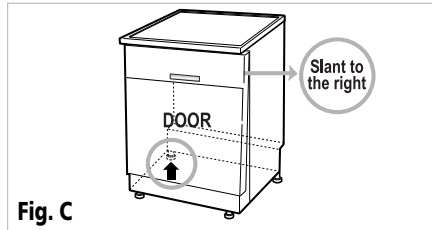
**2** After installing and prior to using the dishwasher with crockery, we recommend that you use the dishwasher on 'Quick' mode to rinse through. At this stage it is useful to ensure that there are no operating problems or water leaks.

When the dishwasher is used for the first, there may be a loud noise, if this happens, turn off the power and restart the dishwasher.

## Step 8 : HOW TO LEVEL THE DISHWASHER

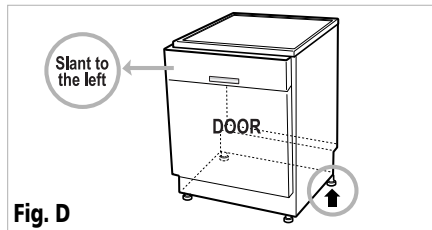
After installing the dishwasher, you may notice a slight sticking of the door to the dishwasher, when you open or close the door. If this does happen you need to adjust the level of the dishwasher.

### Case 1. In case the door is slanted to the right



- If the door slants to the right, see fig. C and follow these instructions:
  - 1) Unscrew(counter-clockwise) the left leg of the back side and correct the level.
  - 2) Check the opening of door and repeat if necessary until the door opens and closes properly.
- When the product is correctly leveled, There should be no slant , stickiness or friction sound.

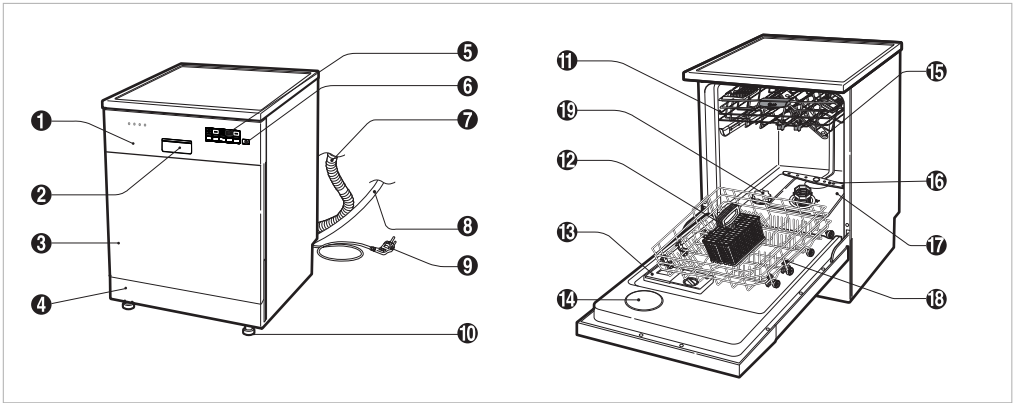
### Case 2. In case the door is slanted to the left



- If the door slants to the left, see fig. D and follow these instructions:
  - 1) Check the opening of door if there still remains sticky or friction sound.
  - 2) Check the opening of door and repeat if necessary until the door opens and closes properly.
- When the product is correctly leveled, There should be no slant , stickiness or friction sound.



# PARTS NAME



1. Control Panel
2. Door Handle
3. Front Cover
4. Lower Cover
5. Display Window
6. Power Button
7. Drain Hose
8. Inlet Hose
9. Power Cord
10. Adjustable Leg

11. Upper Rack
12. Cutlery Basket
13. Detergent And Rinse Aid Dispenser
14. Vapor Vent Cover
15. Upper Spray Arm
16. Lower Spray Arm
17. Filter ASM
18. Lower Rack
19. Salt Container Cap

## Accessory



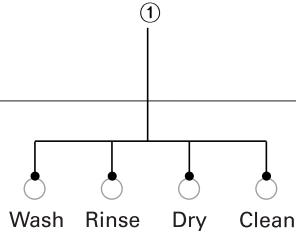
**Funnel**

※ The appearance and specifications may vary without notice.

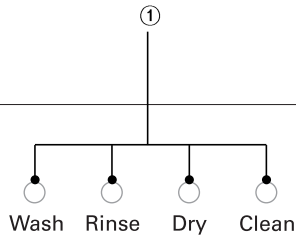
# F

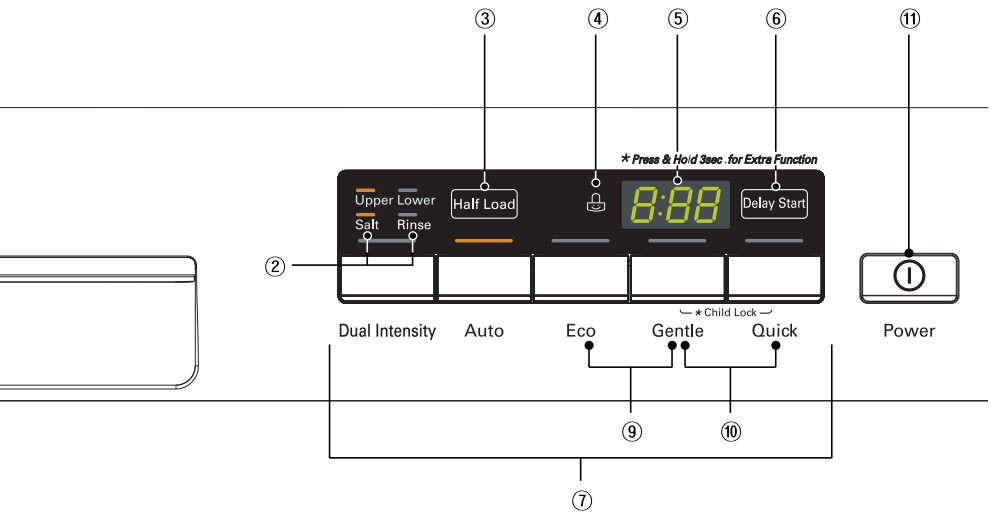
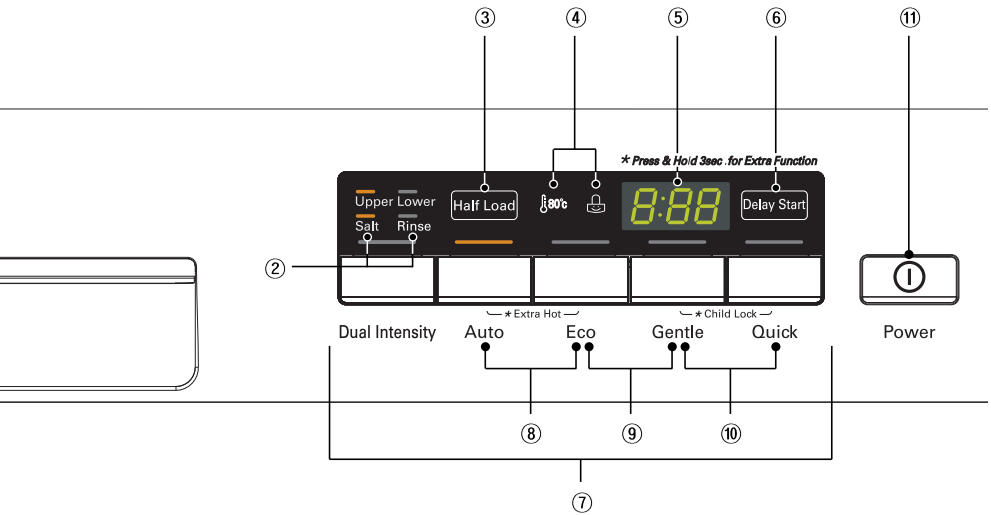
## FUNCTION OF CONTROL BUTTON

■ **MODEL : D1418W(L,M,T,B,C,D)F(B,U)**  
**D1419W(L,M,T,B,C,D)F(B,U)**



■ **MODEL : D1417W(L,M,T,B,C,D)F(B,U)**





### ① Process Indicator

- Indicates current program phase.
- The **Wash**, **Rinse** and **Dry** lamps twinkle while each phase of washing process.
- The **Clean** lamp turns on after all procedure is ended for 4minutes.

### ② Salt & Rinse Refill Indicator

- **Salt** : Refill with special salt when the lamp turns on.
- **Rinse** : Refill with rinse aid when the lamp turns on.

### ③ Half Load

- In case of small load, use upper or lower rack only to save energy.
- With each press, can select **Upper** or **Lower** rack only.
- In case you don't select this button, the machine always works vario washing, which operate upper and lower spray arm alternately.

### ④ Child Lock & Extra Hot Indicator



- Lamp will turn on when the Child Lock setting is on.
- Lamp will turn on when the Extra Hot setting is on.

※ D1418,D1419 only

### ⑤ Time Left

- Before starting, the display window shows the running time of the selected program.
- After starting, the display window shows the remaining time.
- If the dishwasher has a trouble, the trouble type is displayed.  
“OE”, “FE”, “IE”, “EI”, “HE”, “CE”, “LE”, “tE”
- If this error letters are displayed, please refer to the trouble shooting guide page 26 and follow the guide.

### ⑥ Delay Start

- If you want to delay the start of selected program, press this button.
- Pressing this button will increase time by 1 hour.
- The delay start time can be adjusted from 1 hour to 19 hours.

### ⑦ Program

- Press the cycle that corresponds to your desired wash cycle.

### ⑧ Extra Hot (※D1418,D1419 only)

- If you select the Extra Hot function, the operating temperature will be up to 80°C.  
(Dual Intensity, Auto, Eco)

### ⑨ Beep On/Off

- The dishwasher must be switched on.
- The beep on/off function can be set by pressing the **Eco** and **Gentle** button simultaneously for a few seconds.

### ⑩ Child Lock

- Used to lock or unlock the control buttons to prevent all the setting from being changed by a child.
- To activate or release the **Child Lock** function, press the **Gentle** and **Quick** buttons simultaneously for a few seconds while the dishwasher is in operation.
- All controls will be disabled except the **Child Lock** and **Power** buttons.
- Turning off the dishwasher will not reset the **Child Lock** function. You must release the **Child Lock** before you can operate the dishwasher.

### ⑪ Power

- For operating, press this button first for power on.
- After operating, this button automatically switches off for safety and energy saving.
- In case of irregular surge disturbance to the machine, the power may be automatically turned off for safety.

## Hardness setting

※ You have to check your water hardness and set the softening system level before operating your dishwasher.

### Step 1. Check and find water hardness level

#### Method 1


- 1) Check the water hardness of your area.  
(Your water utility company can help you with this.)
- 2) Set the softening system level of your dishwasher according to the water hardness level.  
Refer to the Step 2.

< Water hardness level >

| °dH   | °fH   | °Clarke | mmol/l  | +L |
|-------|-------|---------|---------|----|
| 0-3   | 0-6   | 0-4     | 0-6     | H0 |
| 4-6   | 7-11  | 5-8     | 0,7-1,1 | H1 |
| 7-9   | 12-16 | 9-11    | 1,2-1,6 | H2 |
| 10-12 | 17-21 | 12-15   | 1,7-2,1 | H3 |
| 13-16 | 22-29 | 16-20   | 2,2-2,9 | H4 |
| 17-21 | 30-37 | 21-26   | 3,0-3,7 | H5 |
| 22-30 | 38-54 | 27-38   | 3,8-5,4 | H6 |
| 31-50 | 55-89 | 39-62   | 5,5-8,9 | H7 |

(+L : Softening system level)

#### Method 2

- 1) Check your water hardness by using test strip. (  )
- 2) Test Procedure
  - ① Immerse **all reaction zones** of the test strip for **approx.1sec (not in running water!)**.
  - ② Shake off excess liquid from the strip and **wait for 1min**.  
Then, the green color of the reaction zone will change to the red-violet.
  - ③ Count the number of red-violet from the strip.

< Water hardness level >

| Number of the areas (red-violet) | Hardness range |           |           |                |           | Water quality   | Softening system level |
|----------------------------------|----------------|-----------|-----------|----------------|-----------|-----------------|------------------------|
|                                  | °d             | °e        | °f        | mmol/l (Ca+Mg) | mg/l Ca   |                 |                        |
| 1                                | <7             | <9        | <12,5     | <1,3           | <50       | soft            | H0, H1                 |
| 2                                | 7 - 14         | 9 - 17,5  | 12,5 - 25 | 1,3 - 2,5      | 50 - 100  | moderately hard | H2, H3                 |
| 3                                | 14 - 21        | 17,5 - 26 | 25 - 37   | 2,5 - 3,8      | 100 - 150 | hard            | H4, H5                 |
| 4                                | >21            | >26       | >37       | >3,8           | >150      | very hard       | H6, H7                 |

1 °e = 14.25 mg/l CaCO<sub>3</sub>

1 °f = 10 mg/l CaCO<sub>3</sub>

1 °d = 10 mg/l CaO (=1,78 °f) (=1,25 °e)

- 3) Set the softening system level of your dishwasher according to the water hardness level.  
Refer to the Step 2.

### Step 2. Setting up the softening system level of your dishwasher

Adjust the water softener to the setting to the corresponding hardness of the water in your area.

The water softener has 8 adjustment levels.

The dishwasher is programmed at the factory for a water hardness level of “H4”.

This can be checked and altered by using the buttons on the control panel.

1. First, ensure the dishwasher is switched off.
2. Press **Half load** and **Power** button simultaneously and keep them pressed.
3. To change the setting:  
Simply press the **Half load** button, then the figure will change one by one.  
The display will change between “H0” and “H7”.
4. Once the hardness setting is correctly adjusted, press the **Delay Start** button.  
The hardness setting is then saved.

# **B**EFORE USING FOR THE FIRST TIME

## **Step 3. Salt Filling**

**This model has a water softener to soften hard water. Please read these notes carefully for correct operation.**

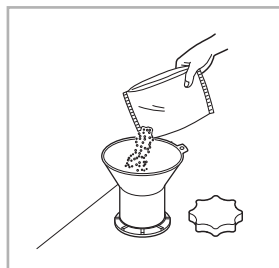
In order to provide satisfactory rinsing results, the dishwasher requires soft water, i.e., containing little or no lime, otherwise water stains will be left behind on the dishes and interior containers. If the tap water exceeds a certain level of hardness, it must be softened, i.e., decalcified. This is achieved by adding a special salt to the water softener inside the dishwasher. The required amount of salt is set up according to how hard your tap water is.

### **■ Filling with Salt**

Fill the regenerating salt container **before starting the washing program.**

Once you have filled with salt you must run the **“Pre-wash”** or **“Quick”** course immediately to remove salt and salt water around the tub in order to prevent corrosion.

- Remove lower rack and unscrew the cap of salt container.
- Before using your dishwasher for the first time, it is necessary to **Pour 1.5kg of salt and 1 liter of water** in to the container. Use a funnel for ease and clean filling, ensuring that coarse salt or regenerating salt intended for dishwashers is used.
- After filling, wipe off any spilled salt to seal the cap properly.
- Screw the cap tightly to prevent any suds from penetrating into the container.

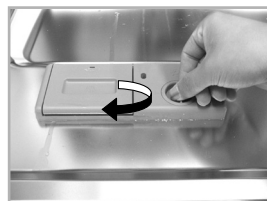
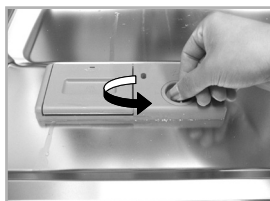


## **Step 4. Adding Rinse Aid**

### **■ For filling**

To fill the Rinse Aid chamber, rotate the round cap counter clockwise and remove. Fill the container to the maximum level with a good quality Rinse Aid, then replace and lock the cap. The Rinse Aid is automatically dispensed during the final rinse cycle.

The dosage is factory set to suit most installations. If, after washing, you notice cloudy spots, streaks or water marks on your glassware, it may be necessary to increase the setting. To do this, remove the cap and rotate the indicator arrow to a higher setting then replace the cap. If the glasses are smeared or foam is present on the bottom of the glass or the bottom of the machine, select a lower setting.



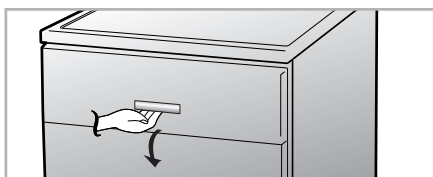
# HOW TO USE AND OPERATE

## 1. Loading your Dishwasher

For better washing performance, always load the dishwasher according to the instructions. Before loading items into the dishwasher clean off large particles of food, in particular insoluble items such as bones, pips, etc.

When loading the dishwasher, please act accordingly:

- Position crockery such that water will contact all surfaces.
- Deep based items should be placed at an angle to help water run off and dry properly.
- Items with burnt on food should be soaked prior to loading in the dishwasher.

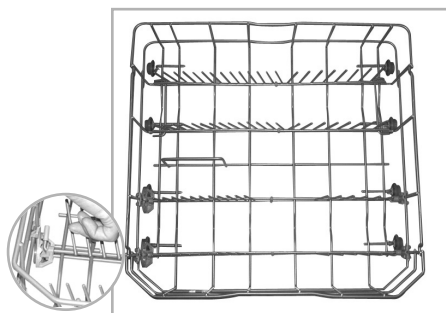


## 2. Loading the Lower Rack

The lower basket is best loaded with dinner plates, soup bowls, dishes, pots, pans, lids and even the grill tray.

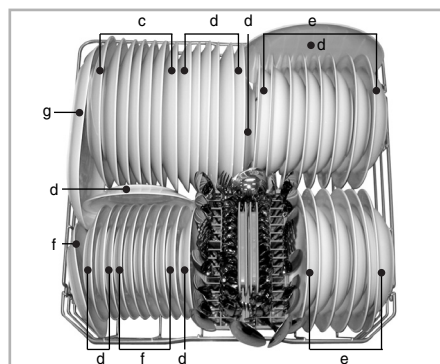
Plates should be positioned upright and facing the centre of the rack and pots, pans and large dishes must be turned upside down.

### ■ How to use



Fold-down dividers at the lower rack can be lowered to improve stacking of pots and pans.

### ■ Loading examples (Energy test)



|          |           |          |     |          |         |
|----------|-----------|----------|-----|----------|---------|
| <b>a</b> | Milk      | <b>b</b> | Tea | <b>c</b> | Meat    |
| <b>d</b> | Egg       | <b>e</b> | Oat | <b>f</b> | Spinach |
| <b>g</b> | Margarine |          |     |          |         |

Take care not to obstruct the rotation of the spray arms and ensure that large items do not prevent the detergent dispenser lid from opening.

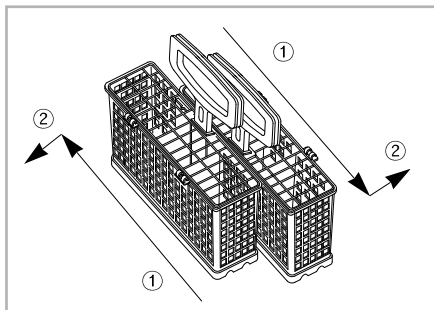
# HOW TO USE AND OPERATE

## 3. Using the Cutlery Basket

Cutlery should be mixed within each section of the cutlery basket to prevent nesting of similar items. Place the cutlery in the cover with the handles down. The cover can be hinged and clipped away from the basket if you choose not to use them. Place knives in the separate rack for located in the top of the dishwasher.

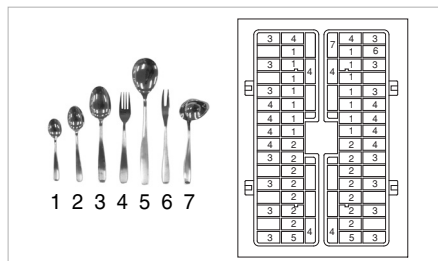
**Take care when loading and unloading sharp items.**

### How to use



Slide two baskets in opposite directions, then pull them apart.

### Loading examples (Energy test)



### WARNING

Knives and other utensils with sharp points must be loaded in the basket with their points down or placed in a horizontal position.



# HOW TO USE AND OPERATE

## 4. Loading the Upper Rack

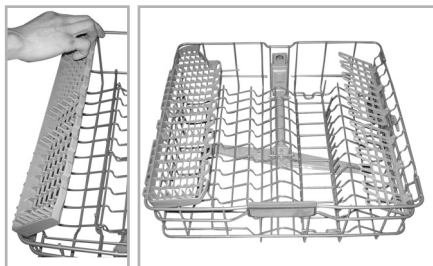
It is best to load this with more delicate items such as, small plates, long cutlery, cups, glasses and dishwasher safe plastic items. Plates should be positioned upwards with the plate bottom facing the front of the rack.

Cups, glasses and bowls must be positioned upside down.

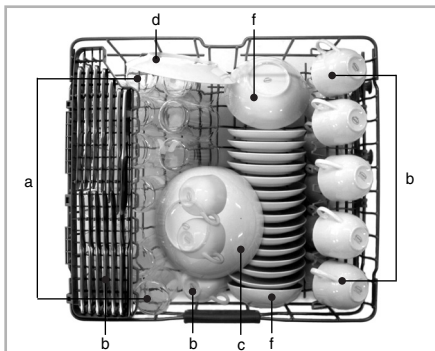
Extra cups or cooking utensils can be laid on the fold down cup racks, which also provides support for long stem glasses.

Take care not to obstruct the rotation of the spray arm under the upper rack.

### How to use



### Loading examples (Energy test)



|          |           |          |     |          |         |
|----------|-----------|----------|-----|----------|---------|
| <b>a</b> | Milk      | <b>b</b> | Tea | <b>c</b> | Meat    |
| <b>d</b> | Egg       | <b>e</b> | Oat | <b>f</b> | Spinach |
| <b>g</b> | Margarine |          |     |          |         |

### Non Dishwasher Safe Items

The combination of high water temperatures and dishwasher detergent may damage particular items, therefore we do not recommend using the dishwasher to wash the following:

- Copper or anodized aluminum
- Hand painted silver or gold leaf crockery
- Wood or bone handled utensils
- Iron or non rust proof utensils
- Plastic items that which are not dishwasher safe.

# HOW TO USE AND OPERATE


## 5. Adjusting the Upper Rack

### ■ D1419W(L,M,T,B,C,D)F(B,U)

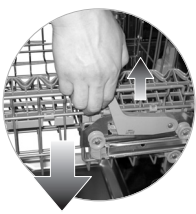
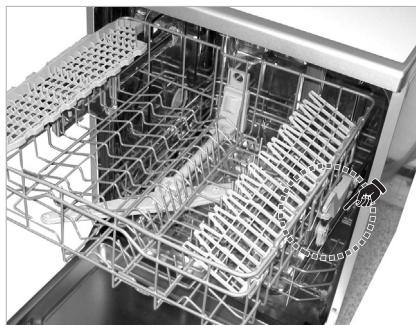
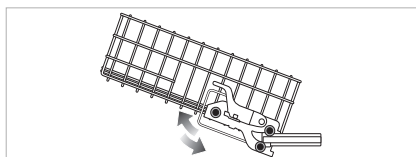
Your upper rack can be raised or lowered to cater for different sized crockery. Before adjusting, ensure that the rack is empty.

You can change the position of the upper rack by lifting the rack upward, into the upper position, or by pulling on the two levers on either side of the rack to move it down to its lower position.

We recommend that where possible the upper rack remains level.

And when you pull the rack upward, hold the middle location of the upper rack (  marked position)

**After adjusting the rack levels, check that the spray arm is free to rotate.**



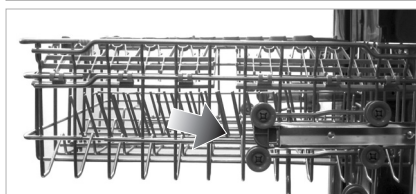
### ■ D1417W(L,M,T,B,C,D)F(B,U) D1418W(L,M,T,B,C,D)F(B,U)

Your upper rack can be raised or lowered to cater for different size of crockery. Before adjusting, ensure rack is empty of all crockery and side the rack out.

Reinsert the rack in the chosen position.

Fitting the rack back into the standard position reduces the space between the upper and lower rack.

**After adjusting, check that the spray arm is free to rotate.**



### **⚠ WARNING**

Before adjusting, ensure the rack is empty of all crockery. Otherwise crockery may be damaged or you may be injured.

# HOW TO USE AND OPERATE

## 6. Adding Detergent

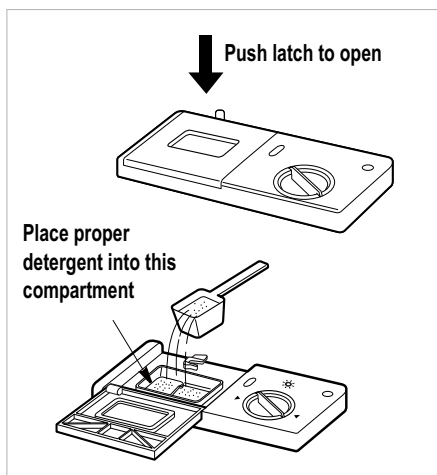
- Detergent must be put into the detergent chamber before starting every program.
- Please follow the manufacturer's instructions within the manual, when determining the correct amount of detergent to use.
- If your dishes are moderately dirty, you may use slightly less detergent than recommended.
- Chambers hold 15g and 25g.
- The amount of detergent required depends on the program. Please refer to the guide table.

| PROGRAM        | AMOUNT OF DETERGENT |
|----------------|---------------------|
| Dual Intensity | 25g                 |
| Auto           | 20g                 |
| Eco            | 15g                 |
| Gentle         | 15g                 |
| Quick          | 10g                 |

- After the detergent is supplied, the chamber lid should be closed.
- The detergent is dispensed automatically during the operation.
- The chamber lid remains open after operation.

### Detergent Information

Use only the detergent intended for household dishwashers. (Ordinary hand-washing detergent should not be used, because the foam can interfere with proper operation.)



### ⚠ WARNING

The detergent used is a special Dishwasher detergent and like all household chemicals it should be treated as harmful and kept out of reach of children. After completion of the wash program, the detergent compartment should be checked and any remaining detergent removed.

### ⚠ ATTENTION

#### Using combined detergent products (ex.3 in 1)

Some products integrated rinse aid work best specific programs only. You will obtain optimum rinsing and drying results by using conventional and separate salt and rinse aid. Products that replace regeneration salt can only be used within a specific water hardness range. Please contact the detergent manufacturer if the drying performance is very poor or you find the white film, when you use the combined detergent products.

We do not warrant the complaints that are directly related to the use of these products.

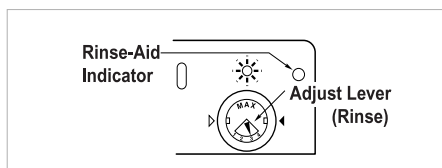
# HOW TO USE AND OPERATE

## 7. Refilling

### ■ For refilling Rinse Aid

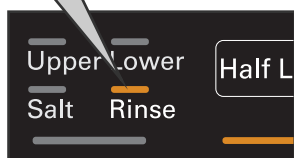
Depending on the dosage setting and the number of washes, the chamber may need to be topped up, approximately once a month. The rinse aid level can be checked by two methods.

- By the indicator window on the dispenser when the dishwasher door is fully open.
  - **Black indicates sufficient Rinse Aid**
  - **Clear indicates Rinse Aid required**



- By the light on the control panel, being lit, when the dishwasher is working on.

*When the lamp is lit, it means the rinse aid is almost empty. Refill the Rinse Aid chamber as soon as possible.*



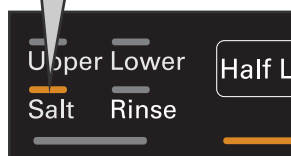
### Rinse Aid Information

Rinse Aid is necessary to remove spots and streaks from dishes as well as improved drying. Using the correct amount will improve wash performance. However, using too much can produce excess foam leading to possible water leaks.

### ■ For refilling Salt

When the salt container is empty, the salt refill lamp will automatically turn on during operation. The salt should be refilled after the cycle has finished. We recommend the salt refill should always be carried out, as mentioned previous page, prior to starting the next operation. This will immediately thin and drain away any excess salt solution.

*When the lamp is lit, this means that the salt aid is almost empty. Refill the Salt Aid chamber as soon as possible.*



### Note

- After filling with salt, it may take a little while before the indicator light turns off.
- When the control is set to “*HO*”, it is not necessary to fill up with salt as no salt is consumed while the dishwasher is operating. If the control is set between “*H1*” and “*H7*”, then salt must be added to the dispenser.

### ⚠ WARNING

Do not pour detergent into the salt container. This will destroy the water softener.

## **8. Drying**

- To assist drying, we recommend that the door be fully opened after the cycle.

## **9. Energy Test(EN50242)**

- Appliance loaded in accordance with standard specifications.
  - Example of loaded dishwasher : p.15~17
  - Capacity : 14 place settings
  - Comparability course : Eco
  - Rinse Aid setting : 4
  - Reference cleaner : 8g of detergent onto the inside surface of the door and fill 27g into the detergent dispenser.
  - Height-adjustable Rack-U must be inserted into the uppermost position.



## ● **Press the “Power” button**

## ● **Check there is rinse aid and salt**

The corresponding indicator lights will illuminate if refilling is required.

## ● **Open the door and check the filters**

Ensure they are clean and properly positioned (See “User Maintenance Instructions”).

## ● **Load the dishes**

Remove any excess food.  
Pull the lower rack out and arrange the dishes and cutlery.  
Pull the upper rack out and arrange the cups, glasses, etc.

### **⚠ CAUTION**

Do not load the items in upper rack with the lower rack is pulled out and loaded.

## ● **Ensure the spray arms can freely rotate**

## ● **Measure out detergent**

Add the required amount of detergent into the dispenser and close the lid.

## ● **Setting and starting the program**

Press the program button to select the desired program.  
After 10 seconds, the machine will start. If necessary, select the option function corresponding to the desired program. The indicator lights of the program and all the phases of the program will come on. Before starting, the display window shows the running time of the selected program. After starting, the display window shows the remaining time.

The time in the display window will start to decrease minute by minute.

If the door is opened during the program a safety device ensures that the machine stops.

Once the door is re-closed the program will start from where it was interrupted.

## ● **At the end of the washing program**

“End” is displayed on the digital display and a buzzer sounds.

And the dishwasher automatically switches off for safety and energy saving later.

If you selected “Cool Dry” function, the display then shows “Cd” to indicate that the dishwasher is in “Cool Dry” mode. And then the dishwasher automatically switches off later.

### **⚠ CAUTION**

Empty the lower rack first and then the upper one; this will avoid water dripping from the upper rack onto the dishes below.

### **⚠ WARNING**

In general it is not advisable to open the door while the machine is working.

If the door is opened, a safety device ensures that the machine stops.

Care must be taken if the door is opened during the hot phase or immediately after a program has finished, as steam may escape.

### **⚠ CAUTION**

That the door should not be left in the open position since this could present a tripping hazard.

# P ROGRAM

- ▶ Running time may vary according to the water temperature, water pressure and voltage.
- ▶ Running time doesn't include "Cool Dry - 30min".

| Program        | WASH  |           | RINSE   |         |         |               | DRY | COOL DRY |
|----------------|---|-----------|---------|---------|---------|---------------|-----|----------|
|                | Pre Wash  | Main Wash | Rinse 1 | Rinse 2 | Rinse 3 | Heating Rinse |     |          |
| Dual Intensity | 40°C  | 60°C      |         |         |         | 70°C          |     |          |
| Auto           | <i>The program sequence is optimized and adapted in accordance with how dirty the dishes are.</i> |           |         |         |         |               |     |          |
| Eco            |   | 43°C      |         |         |         | 60°C          |     |          |
| Gentle         |   | 45°C      |         |         |         | 70°C          |     |          |
| Quick          |   | 50°C      | 50°C    |         |         | 65°C          |     |          |

## Dual Intensity

This cycle washes the upper and lower racks at different spray intensities. The lower rack is washed with a strong spray for hard to clean items, while the upper rack is washed with a medium spray for more delicate items.

This provides optimum cleaning performance for mixed loads, including fine china and stemware.

## Auto

During the Auto program, the degree of soiling in the dishes is determined by the amount of clouding of the water.

According to the degree of soiling, the program automatically adjusts the washing time, temperature. As a result, the energy and water consumption is kept as low as possible. The "F" on display means that the sensor is sensing the status of the dishwasher.

## Auto Restart

If the dishwasher is turned off by a power failure, it will restart from the position it stopped at adjusting accordingly when you press the **Power** button again.

## Eco

This program offers the most efficient energy and water consumption for a good washing performance. It is recommended that it will be used every time.

## Gentle

This program is for washing delicate items like glasses.

## Quick

Can use for lightly soiled recently used dishes and cutlery.

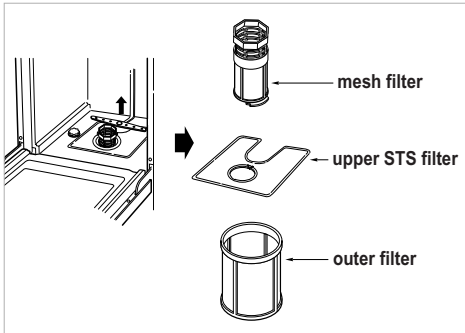
When you select "Quick" program, After finishing, "Cool Dry" function is automatically performed for the better drying result.

# USER MAINTENANCE INSTRUCTIONS

To prevent trouble and poor operating, it is important to check filters and spray arms at regular intervals.

## Filters

- Remove the lower rack first.
- Turn the mesh filter counterclockwise.
- Take out the mesh filter, upper STS filter and outer filter.
- Clean them if necessary.
- Replace them in the reverse order.



- After each cycle, clean the filter for the better washing result.
- Before starting, check that the filter is assembled well. If the filter is not assembled correctly, you might have a poor cleaning result.

## Lower Spray Arm

- Check that the water jet holes are not blocked.
- If cleaning is required, remove the arm by pulling up.
- Clean the spray arm and replace it pulling down.



## Upper Spray Arm

- Pull the upper rack forwards.
- Check that the water jet holes are not blocked.
- If cleaning is required, remove the arm by unscrewing the nut.
- Clean the spray arm and replace it in the reverse order.





- If a problem occurs check below to see whether this can be solved.
- In the unlikely event that the problem cannot be rectified, please contact a service engineer.

| Problem  | Possible Causes  | Solution   |
|--|--|--|
| No lights come on when the power is turned on.           | <ul style="list-style-type: none"> <li>• Plug is not properly inserted into the socket.</li> <li>• Fuses blown or circuit breaker tripped.</li> <li>• The electricity of the house was cut off.</li> </ul>   | <ul style="list-style-type: none"> <li>• Check the plug.</li> <li>• Check the electricity.</li> <li>• Call for service.</li> </ul> |
| The machine does not start.                              | <ul style="list-style-type: none"> <li>• Door is not fully closed.</li> <li>• The start button is not pressed.</li> </ul>  | <ul style="list-style-type: none"> <li>• Close the door.</li> <li>• Press the start button.</li> </ul>                             |
| The spray arms do not rotate smoothly.                   | <ul style="list-style-type: none"> <li>• The mounting of the spray arms is blocked by food particles.</li> </ul>   | <ul style="list-style-type: none"> <li>• Clean the holes of the spray arm.</li> </ul>  |
| White deposits are left on the dishwasher after washing. | <ul style="list-style-type: none"> <li>• The amount of detergent or rinse-aid set incorrectly.</li> <li>• The salt container is empty.</li> <li>• The salt container cap is not securely screwed on.</li> </ul>  | <ul style="list-style-type: none"> <li>• Check the detergent or rinse-aid.</li> <li>• Check the salt container or cap.</li> </ul>  |
| Streaks are left on glassware.                           | <ul style="list-style-type: none"> <li>• Too little Rinse-Aid dispensed.</li> </ul>  | <ul style="list-style-type: none"> <li>• Fill the rinse-aid.</li> <li>• Adjust the level of rinse-aid container.</li> </ul>        |
| Dry results are not satisfactory.                        | <ul style="list-style-type: none"> <li>• Too little Rinse-Aid dispensed.</li> </ul>  |  |
| Washing results are not satisfactory.                    | <ul style="list-style-type: none"> <li>• Incorrect amount of detergent.</li> <li>• Utensils incorrectly arranged or overloaded.</li> <li>• Filters are clogged.</li> <li>• Water jet holes of spray arms blocked.</li> <li>• Spray arm's rotation obstructed by utensils.</li> <li>• Unsuitable program selected.</li> </ul> |  |

# TROUBLE SHOOTING GUIDE

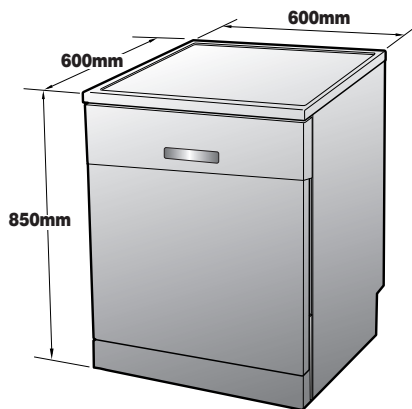
| Problem   | Possible Causes  | Solution  |
|---|--|---|
| The display shows "OE" code. (Water is not pumped away.)          | <ul style="list-style-type: none"> <li>• The drain hose is kinked.</li> <li>• The filter is clogged.</li> <li>• Motor trouble. (Washing motor or Drain motor)</li> </ul> | <ul style="list-style-type: none"> <li>• Straighten hose(s).</li> <li>• Clean the filter.</li> <li>• If you can not solve the problem, call for service.</li> </ul> |
| The display shows "IE" code.                                      | <ul style="list-style-type: none"> <li>• Water is not supplied.</li> <li>• Water tap is not opened.</li> <li>• Water sensor has a trouble.</li> </ul>                    | <ul style="list-style-type: none"> <li>• Check the water tap.</li> <li>• If you can not solve the problem, call for service.</li> </ul>                             |
| The display shows "EI" code. (Automatically Drain pump operated.) | <ul style="list-style-type: none"> <li>• Water is leaking from the hose connections.</li> <li>• Damage to the unit has been caused by a water leak.</li> </ul>           | <ul style="list-style-type: none"> <li>• Close the water tap and unplug the power plug.</li> <li>• Call for service.</li> </ul>                                     |
| The display shows "FE" code. (Automatically Drain pump operated.) | <ul style="list-style-type: none"> <li>• Excessive water is supplied than the normal water level.</li> <li>• There is a problem with the inlet valve.</li> </ul>         |   |
| The display shows "HE" code.                                      | <ul style="list-style-type: none"> <li>• The water heater circuit is damaged.</li> </ul>   |   |
| The display shows "tE" code.                                      | <ul style="list-style-type: none"> <li>• Thermistor trouble or very high inlet water temperature.</li> </ul>   |   |
| The display shows "LE" code.                                      | <ul style="list-style-type: none"> <li>• Motor trouble.</li> </ul>   |   |
| The display shows "CE" code.                                      | <ul style="list-style-type: none"> <li>• Motor trouble.</li> </ul>   |   |

- These are not error codes indicating a malfunction.

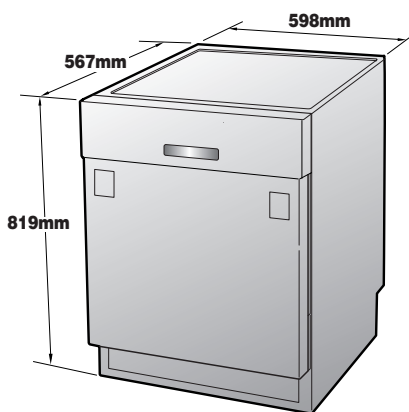
| Code                                     | Description  |
|--|--|
| The display shows "PF" code              | This indicates there was a power failure. This function protects the dishwasher in the event the power goes out or the power to the unit is disrupted. When power is returned, and a button is pushed, this will display for 10 seconds and then go away.          |
| The display shows "Cd" code              | "Cd" means Cool-Dry. This is an additional drying cycle to assist drying performance in the 'Quick' course. This cycle runs for a further 30 minutes after the course has finished. It can be interrupted at any time by opening the door.                         |
| The display shows "CL" code              | "CL" means Child-Lock. This function is used to lock or unlock the control buttons to prevent all the setting from being changed by a child. It can only be activated during the wash cycle.   |
| The display shows "F" code               | When the unit is displaying "F", the sensor is measuring the water clarity. After 5 minutes of sensing (except draining and filling), the unit's display will then show the processing time.   |
| The display shows numbers between 1 ~ 19 | This is not an error code, but indicates the setting of the delay start. To cancel the function, turn the power off. To change the course and option, open the door and select another course and option. Countdown will then continue after door is closed again. |

# SPECIFICATION

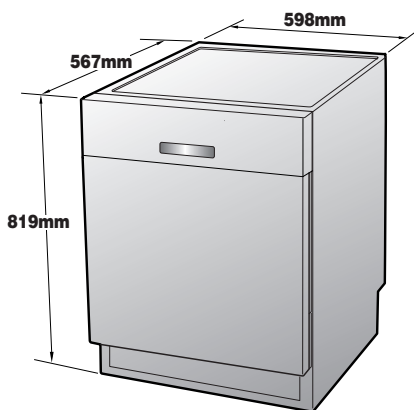
D1417W(L,M,T,B,C,D)F  
 D1418W(L,M,T,B,C,D)F  
 D1419W(L,M,T,B,C,D)F



D1417W(L,M,T,B,C,D)B  
 D1418W(L,M,T,B,C,D)B  
 D1419W(L,M,T,B,C,D)B



D1417W(L,M,T,B,C,D)U  
 D1418W(L,M,T,B,C,D)U  
 D1419W(L,M,T,B,C,D)U

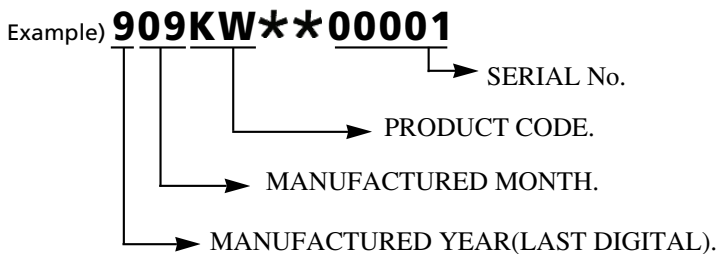


|                     |                   |
|---------------------|-------------------|
| Capacity            | 14 Place settings |
| Weight              | See rating label  |
| Power Supply        | See rating label  |
| Power Consumption   | See rating label  |
| Water Feed Pressure | 50 ~ 800 kPa      |

**■ Serial Number**

How to read Serial Number.

: There is attached a Serial Number label on the right side of the inner surface of door.

**■ Critical Parts List**

: When you need to change frequency of dishwasher (60Hz ➔50Hz),  
You must change following parts list.

\*MOTOR ASSEMBLY, PUMP



You may also find user manual in video version at following link  
[www.guidelg.com/dishwasher](http://www.guidelg.com/dishwasher)

# دليل المالك غسالة الصحون

يرجى قراءة هذا الدليل بعناية قبل تشغيل غسالة الصحون.  
احتفظ به كمرجع في المستقبل.

D1417W(L,M,T,B,C,D)F(B,U)

D1418W(L,M,T,B,C,D)F(B,U)

D1419W(L,M,T,B,C,D)F(B,U)

|    |                          |
|----|--------------------------|
| ٣  | السلامة والحذر           |
| ٥  | تعليمات التركيب          |
| ٩  | أسماء الأجزاء            |
| ١٠ | وظائف أزرار التحكم       |
| ١٣ | قبل الاستخدام لأول مرّة  |
| ١٥ | كيفية الاستخدام والتشغيل |
| ٢٢ | تسلسل التشغيل            |
| ٢٣ | البرنامج                 |
| ٢٤ | تعليمات الصيانة للمستخدم |
| ٢٥ | دليل تحديد المشاكل وحلها |
| ٢٨ | المواصفات                |



## تعليمات هامة من أجل السلامة

**تحذير -** يرجى اتباع إجراءات السلامة الأساسية قبل تشغيل غسالة الصحون لأول مرة. بما في ذلك التعليمات التالية:



- يرجى قراءة هذا الدليل بعناية قبل استخدام غسالة الصحون لأول مرة.
  - يحتوي هذا الدليل على تعليمات مهمة حول كيفية تركيب غسالة الصحون وتركيبها وصيانتها.
  - لا يتحمل المصنع أي مسؤولية عن أي مشاكل تنتج عن إهمال تعليمات السلامة والحذر هذه.
  - صممت غسالة الصحون هذه للاستخدام العادي في المنزل.
  - لا تستخدم غسالة الصحون هذه للأغراض الصناعية أو التجارية أو أي أغراض أخرى غير المصممة لها.
  - هذا الغسالة غير مصممة للاستخدام من قبل الأطفال أو الكبار السن العجزة.
  - تأكد من عدم وجود أضرار ناجمة عن النقل وفي حال وجود أي أضرار لا تشغل الجهاز واتصل مباشرة بالموزع.
- أثناء التشغيل**
- يجب وضع الأواني المنزلية مناسبة في غسالة الصحون (يرجى تجنب الأواني الغير مقاومة للحرارة والمزخرفة بالمعادن وغيرها).
  - لا تستخدم أي نوع من المحاليل في غسالة الصحون لأن ذلك قد يتسبب بحدوث انفجار أو حريق.
  - لا ترش الماء على الجهاز من الخارج لأن ذلك يؤدي إلى خلل في الأجزاء الكهربائية وحدوث صدمة كهربائية.
  - لا تدفع الباب الداخلي إلى أسفل أو جلس عليه لأن ذلك يؤدي اختلال توازن الباب أو خلل في الجهاز.
  - لا تستخدم مادة التنظيف لتنظيف اليدين فهو للاستخدام العادي في غسالة الصحون.
  - يحتوي هذا الجهاز على نظام سلامة يعمل على إيقاف الغسالة إذا تعرضت لاهتزاز شديد من جوانبها.
  - إن مسحوق التنظيف لغسالات الصحون قلووي للغاية وهو في غابة الخطورة عند ابتلاعه. تجنب ملامسته للبشرة أو العين وتأكد من بقاء الأطفال بعيدين عن باب الغسالة عند فتحه.
  - تأكد من فراغ حاوية سائل الغسيل بعد الإنتهاء من دورة الغسيل.
- سلامة الأطفال**
- يمكن قفل لوحة التحكم من خلال «قفل الطفل (child lock)» لمنع إحداث أي تغيير من قبل الأطفال.
  - إحتفظ سائل الجلي ومواد الشطف بعيدة عن الأطفال.
  - لا تسمح للأطفال بأن يشغلوا غسالة الصحون.
  - يجب مراقبة الأطفال الصغار حتى لا يعبتوا بالجهاز.
- جميع البطاريات (سواء كانت مثبتة أو المرفقة)**
- لا ينبغي أن يتعرض للحرارة الزائدة مثل أشعة الشمس أو ما شابه ذلك مصدر.
- أثناء التركيب**
- لابد من توصيل التيار الكهربائي وفقاً لما مكتوب على ملصق المتطلبات الكهربائية.
  - يتم ضمان السلامة الكهربائية عندما يتم نظام التوصيل الأرضي في منزلك وفق الأقرنين المحلية (لا تستخدم سلك أو كيبيل توصيل إضافي).
  - قم بضبط الماء الساخن إذا كانت حرارة الماء أكثر من 15 درجة مئوية. وفي حال عدم القدر على تخفيض درجة الحرارة يجب توصيل الغسالة بالماء البارد.
  - في حال حدوث ضرر للسلك الكهربائي فلا بد من استبداله من قبل موزع الجهاز أو فني الشركة أو أي شخص مؤهل لذلك لتجنب أي خطر.
  - يجب تركيب الجهاز بطريقة تسهل الوصول للقباس الكهربائي.
  - يجب استخدام مجموعة جديدة من خرطوم المياه مع هذا الجهاز والتأكد من عدم استخدام الخرطوم القديمة.

### تحذير يتعلّق بسلك التيار الكهربائي

يجب وضع الأجهزة المنزلية على دارة كهربائية مخصصة لها. أي دارة كهربائية ذات منفذ واحد فقط تمد جهازاً واحداً فقط. دون وجود أي منافذ أو دارات فرعية. يرجى مراجعة صفحة المواصفات في دليل المالك للتأكد من هذا الأمر.

لا تقم بزيادة حمل مأخذ التيار الكهربائي إن مأخذ التيار ذات الحمل الزائد والمأخذ التالفة والمتفككة أو أسلاك التمديد أو الأسلاك المحروقة أو التالفة أو الممزقة أو الخدوشة كلها تشكل خطراً. وأي منها قد يسبب حريقاً أو صدمة كهربائية. قم بفحص الأسلاك بصورة دورية وفي حال ملاحظة أي نوع من أنواع الخلل فيها قم بفصل الجهاز عن التيار الكهربائي وتوقف عن استخدامه واطلب من فنيّ متخصص استبدال السلك التالف.

يرجى حماية السلك من سوء الاستخدام المادي. كأن يتم ثنيه أو عقده أو خرقه أو إغلاق الباب عليه أو أن تطأه بقدمك. كما يرجى الحذر عند التعامل مع القوابس الكهربائية. ومأخذ التيار الكهربائي وأماكن خروج الأسلاك من الجهاز.

### تحذير تحذير التعليمات مضمون ما يلي

لم يصمم هذا الجهاز بغرض أن يستعمله أي شخص من ذوي القدرات الذهنية أو الحسية أو الجسدية القاصرة (بما في ذلك الأطفال). أو محدود الخبرة والمعرفة. ما لم يتم هذا تحت إشراف أو تعليمات استعمال الجهاز من قبل شخص مسؤول عن سلامته.

ينبغي الإشراف على الأطفال لضمان عدم عبثهم بالجهاز.

### احفظ هذه التعليمات

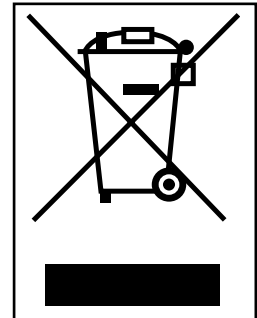
#### تعليمات التوصيل الأرضي (التأريض)

لا بد من التوصيل الأرضي لهذا الجهاز. ففي حال حدوث عطل ما أو توقف عن العمل سيعمل التوصيل الأرضي على التقليل من خطر حدوث صدمة كهربائية من خلال تسهيل مرور التيار الكهربائي إلى دارة ذات مقاومة قليلة. كما تم تزويد الجهاز بمقبس أرضي ثالث وسلك أرضي ليتم توصيله إلى مأخذ مناسب لذلك المقبس وموصول إلى الدارة الأرضية حسب القوانين المحلية.

تحذير - قد يؤدي التوصيل الغير صحيح إلى الدارة الأرضية قد يؤدي إلى خطر حدوث الصدمة الكهربائية. تأكد من إجراء التوصيل من قبل فنيّ أو كهربائي متخصص. ولا تحاول تعديل مقبس الجهاز. في حال عدم إمكانية تركيب القابس بالمأخذ. أطلب من فني متخصص تعديل المأخذ.

#### التخلص من جهازك القديم

١. إن ظهور شعار سلة المهملات ذات العجلات والمرسوم عليها إشارة ضرب يعني أنّ هذا الجهاز خاضع للتعليمات الأوربية ٢٠٠٢/٩٦/EC .
٢. يجب رمي جميع الأجهزة في حاويات منفصلة عن حاويات قمامة البلديات تخضع للمعالجة من قبل منشآت موافق عليها من قبل الحكومة أو السلطات المحلية.
٣. إن التخلص من أجهزتك القديمة بطريقة صحيحة يمنع حدوث أخطار ممكنة بالبيئة وبصحة الإنسان.
٤. لمزيد من التفاصيل حول كيفية التخلص من أجهزتك القديمة يرجى الاتصال بمكتب بلدية مدينتك أو خدمة النفايات أو المتجر الذي اشتريته منه الجهاز.



# تعليمات التركيب

## ⚠️ تحذير

يجب إجراء عمليات توصيل الأنابيب والتوصيلات الكهربائية من قبل شخص مختص (كهربائي وفني أنابيب).

### الخطوة ١:

#### تحضير مكان مناسب بين الخزن

- ١ غسالة الصحون هذه مصممة لتتسع في المكان المبين في الصورة أدناه.
- ٢ اختر مكاناً قريباً من حوض الغسيل لإجراء تعديلات المياه وأنابيب التصريف بسهولة.
- ٣ يجب تركيب غسالة الصحون في مكان يبعد ٣ أمتار عن حوض الغسيل للحصول على تصريف جيد للماء.
- ٤ في حال تركيب الغسالة في زاوية لا بد من ترك مسافة ٥ سم بينها وبين الجدار أو الخزن المجاورة.

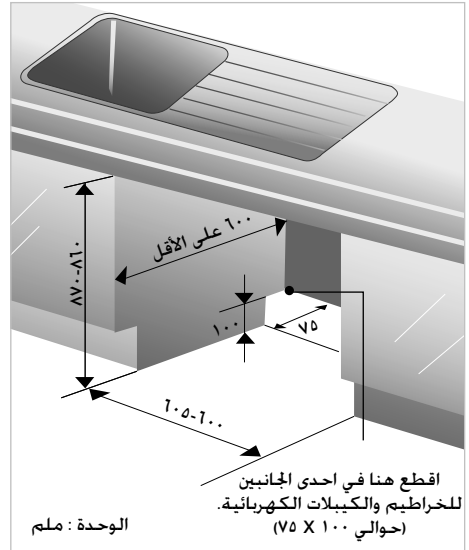
### الخطوة ٢:

#### الاجراءات اللازمة لإجراء التمديدات الكهربائية

## ⚠️ تنبيه

يجب فصل الدارة الكهربائية المنزلية التي سيتم وصل الجهاز عليها وذلك كإجراء احترازي للسلامة. لا تستخدم سلك توصيل إضافي أو قابس محول إضافي. كما يجب مطابقة التوصيلات الكهربائية مع الشبكة المحلية أو الوطنية.

- ١ يجب تزويد هذا الجهاز بتيار كهربائي يطابق التردد والشوئلت المذكورين على دليل المستخدم. ويصل عن طريق دارة كهربائية مخصصة موصولة أرضياً ومحمية بقاطع ١٥ أمبير أو مؤخر تيار قاطع. يجب التوصيل بالدارة الأرضية عن طريق سلكين.
- ٢ يجب وصل قابس التيار الكهربائي في مكان يسهل الوصول إليه بجانب وليس خلف غسالة الصحون ويرتفع مسافة ١,٢ متر عن غسالة الصحون (أنظر الصورة أ الصفحة ٧).
- ٣ لا بد من التوصيل الأرضي لهذا الجهاز. في حال عدم التأكد من التوصيلات يرجى تفضل التوصيلات من قبل كهربائي متخصص. يجب عدم وصل أي جهاز آخر إلى نفس المأخذ الكهربائي عبر وصل مضاعف للمأخذ أي أي موصلة ماثلة.



### خطورة التعرض للفولطية الكهربائية للجهاز

5036

لتبنيان المخاطر الناجمة عن التعرض للفولطية الكهربائية للجهاز.



تنويه - في حال تشغيل الجهاز مع ظهور علامة التحذير فينبغي الالتزام بقواعد الأيزو

٣٨١٤

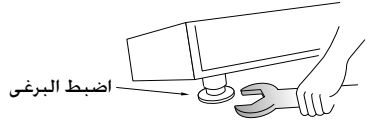
يجب دهن الخشب المحيط بغسالة الصحون بمادة مانعة لنفاذ الماء حتى لا يتضخم الخشب نتيجة البخار.

## تعليمات التركيب

### الخطوة ٣ :

تحضير غسالة الصحون للتركيب

- ١ ضع غسالة الصحون على ظهرها.
- ٢ اضبط أرجل الصحون لتناسب الارتفاع المطلوب.



### الخطوة ٤ :

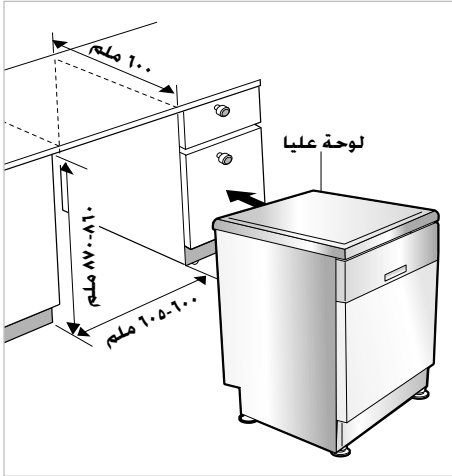
تركيب غسالة الصحون بين الخزان

- ١ يجب ضبط المساحة والارتفاع الخاص بغسالة الصحون باستخدام مفتاح الصمولة.
- ٢ أدخل غسالة الصحون في مكانها بعناية وتأكد من أن خرطوم التجفيف غير ملوي أو ممدودة.



تنبيه

إذا كان ارتفاع الخزان أقل من ٠.٥٨ ملم، لا بد من نزع اللوحة العليا برخو برغيين. (البرغيين في الخلف)



## تعليمات التركيب

### الخطوة ٥ :

#### توصيل خط التصريف

١ إذا لم يكن طرف خرطوم التصريف ملائماً لخط التصريف، استخدم توصيلة مطاطية (غير مزودة مع الجهاز) لا بد أن تكون مقاومة للحرارة ومواد الغسيل.

٢ يمكن الحصول عليها من متجر الخردوات أو الأدوات الصحية.

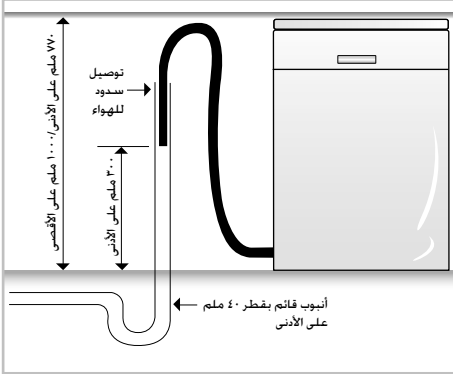
٣ هنالك طريقتين نموذجيتين لإجراء التوصيل كما هو مبين في الشكلين ١ و ٢.

يجب تعليق الخرطوم بطريقة S للحصول على تصريف جيد.

لننح الثعب، لا بد من إتباع إحدى الطريقتين التاليتين.

عند توصيل خرطوم التصريف الى بالعة محبس بشكل « S » أو وحدة تصريف النفايات، لا بد من رفع خرطوم التصريف دائريا ووصوله الى تحت القاعدة السفلى وثبتيته بإحكام.

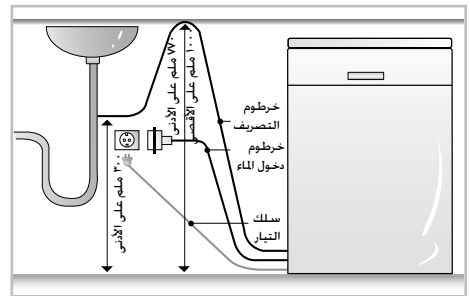
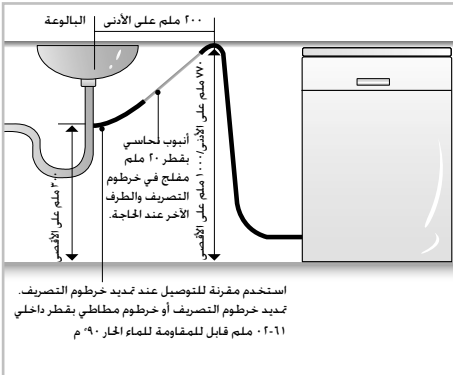
عند توصيل خرطوم التصريف الى أنبوب قائم مستقل، فمن المهم جدا إجراء التوصيل السدود للهواء. راجع الشكل ب.



الشكل ب : توصيل التصريف - أنبوب قائم

#### تمديد خرطوم التصريف

مدد خرطوم التصريف كما هو مبين في الشكل أدناه.



الشكل أ

#### ⚠ تنبيه

عند توصيل خرطوم التصريف تأكد من عدم إلتوائه. (لا بد من لي الخرطوم بنصف قطر ٤٠ ملم)

## تعليمات التركيب

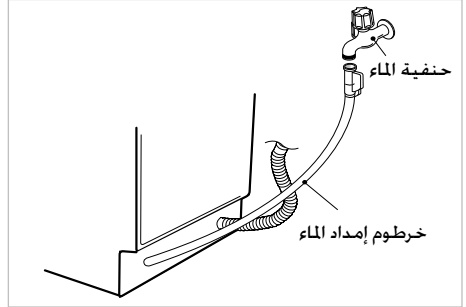
### الخطوة ٦ :

#### توصيل إمداد الماء

١ قم بوصل خرطوم تزويد الماء كما هو موضح في الشكل (بعض الموديلات تتكوّن من صمام دخول الماء والخرطوم) يمكن إمداد الماء الحار والبارد لهذه الغسالة. إذا لم يكن من الممكن توصيل الماء بدرجة حرارة أقل من ٥٦ درجة مئوية. يجب إيصال الماء البارد لهذه الغسالة.

٢ عند التوصيل لا بد من استخدام شريط منع التسريب أو مادة لمنع التسريب. تأكد من أن الخط غير ملتوي أو منحني.

يجب استخدام مجموعات الخرطوم الجديدة المزودة مع الجهاز ولا يجب إعادة استخدام مجموعات الخرطوم القديمة.



### الخطوة ٧ :

#### الفحص النهائي والتجميع

١ شد خرطوم المياه بإحكام لإمداد الماء. أدخل قابس التيار الكهربائي إلى مأخذ التيار المؤرّض.

٢ بعد التركيب وقيل وضع الأواني المراد غسلها يرجى تشغيل الغسالة على «الدورة السريعة (Quick)» للتأكد من عدم وجود مشكلة في التشغيل أو تسرب للمياه.

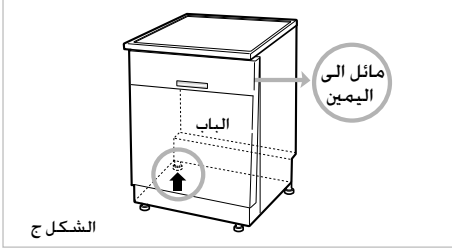
قد تسمع ضجيجاً عالياً عند تشغيل الغسالة لأول مرة. أطفئ الغسالة وأعد تشغيلها مرة ثانية.

### الخطوة ٨ :

#### كيفية ضبط مستوى ارتفاع الغسالة

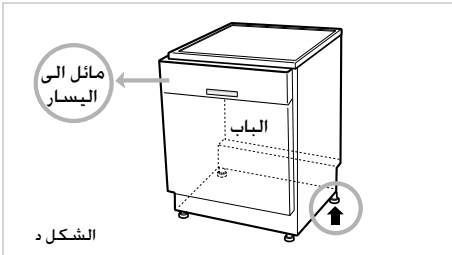
إذا شعرت ببعض الصعوبة خلال فتح وإغلاق باب الغسالة يجب ضبط ارتفاع الغسالة.

#### الحالة ١ : في حالة أن الباب مائل الى اليمين

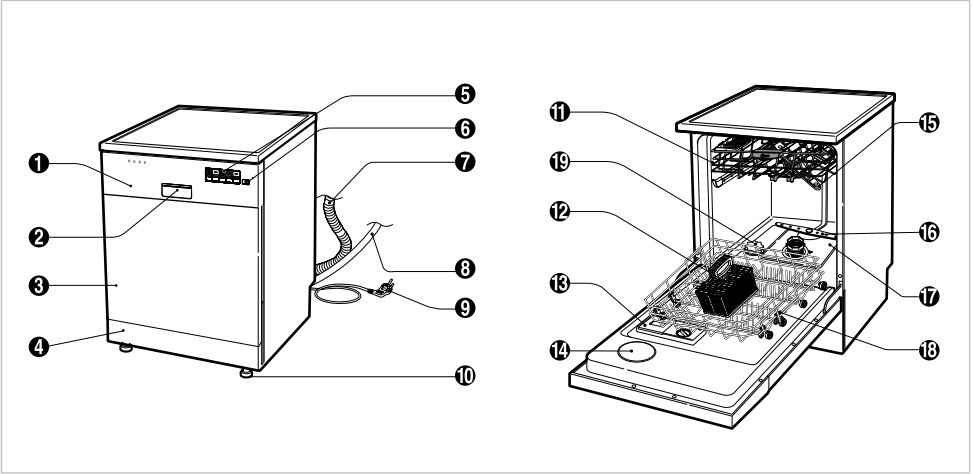


- إذا كان الباب مائلاً إلى اليمين كما هو مبين في الشكل ج، كرر الإجراءات المذكورة أدناه حتى يعمل الباب كما ينبغي.
- (١) ارجع البرغي (باتجاه معاكس عقرب الساعة) في الرجل اليسرى في الخلف ودوره لرفع الارتفاع.
- (٢) تأكد من فتح الباب إذا كانت تبقى صعبة أو صوت احتكاك.
- عند استواء الجهاز بشكل صحيح، فلا يحدث ميلان وصعوبة وصوت احتكاك.

#### الحالة ٢. في حالة أن الباب مائل الى اليسار



- إذا كان الباب مائلاً إلى اليسار كما هو مبين في الشكل د، كرر الإجراءات المذكورة أدناه حتى يعمل الباب كما ينبغي.
- (١) ارجع البرغي (باتجاه معاكس عقرب الساعة) في الرجل اليمنى في الخلف ودوره لرفع الارتفاع.
- (٢) تأكد من فتح الباب إذا كانت تبقى صعبة أو صوت احتكاك.
- عند استواء الجهاز بشكل صحيح، فلا يحدث ميلان وصعوبة وصوت احتكاك.



١٠. رجل قابلة للتعديل
١١. الرف الأعلى
١٢. رف أدوات الأكل الصغيرة
١٣. درج سائل الغسيل والمادة المساعدة للشطف
١٤. غطاء فتحة البخار
١٥. ذراع الرش العليا
١٦. ذراع الرش السفلى
١٧. مجموعة المصفاة
١٨. الرف الأسفل
١٩. غطاء وعاء الملح

١. لوحة التحكم
٢. مقبض اليد
٣. الغطاء الأمامي
٤. الغطاء الأسفل
٥. زجاج العرض
٦. زر الطاقة (التشغيل)
٧. خرطوم التصريف
٨. خرطوم إمداد الماء
٩. سلك الطاقة

## الملحقات

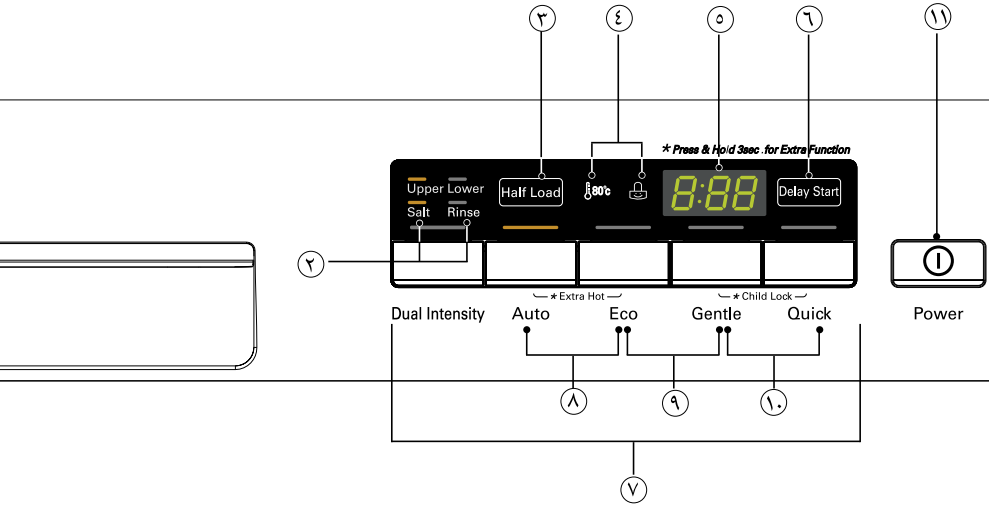


القمع

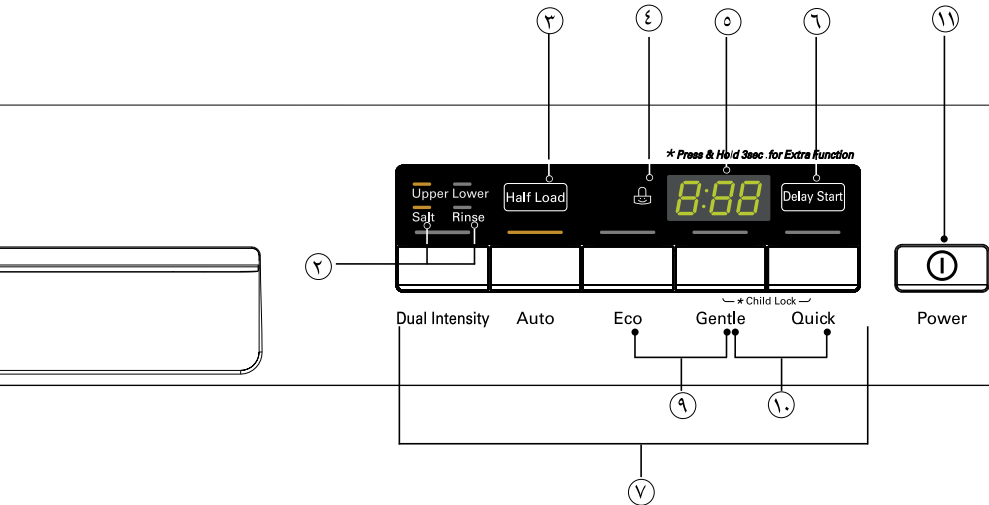
\* قد يختلف المظهر والمواصفات بدون أي إشعار.

# وظائف أزرار التحكم

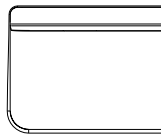
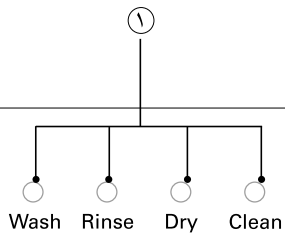
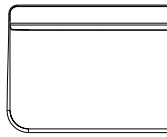
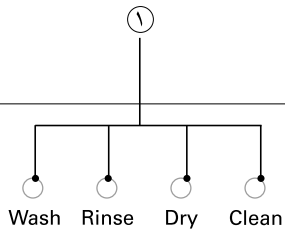
الموديل : D1418W(L,M,T,B,C,D)F(B,U)  
D1419W(L,M,T,B,C,D)F(B,U)



الموديل : D1417W(L,M,T,B,C,D)F(B,U)







# وظائف أزرار التحكم

## ١ مؤشّر المعالجة

- يُشير إلى المرحلة الحالية من البرنامج.
- كل من «غسيل» و «شطف» و «جفيف» تقوم بالمبيض أثناء كل مرحلة من عملية الغسيل.
- تضئ لمبة تنظيف بعد انتهاء كل إجراء ولمدة ٤ دقائق.

## ٢ مؤشّر إعادة تعبئة الملح والشطف

- ملح: قومي بإعادة التعبئة بملح من نوع خاص عندما تضئ اللبمة.
- شطف: قومي بإعادة التعبئة بمساعد الشطف عندما تضئ اللبمة.

## ٣ ضف الحمل

- في حالة الحمولة الصغيرة استخدم الرف الأعلى أو الأسفل لتوفير الطاقة.
- اختر الرف Upper (أعلى) أو Lower (أوطأ) مع كل مرة تضغط الزر.
- في حال عدم ضغط الزر فإن الغسالة ستقوم بالغسل الكلي حيث تتحرّك ذراع الرش للأعلى والأسفل بشكل متناوب.

## ٤ مؤشّر القفل الأبوي والسخونة الزائدة

- سوف تضئ اللبمة عند تشغيل إعداد القفل الأبوي.
  - سوف تضئ اللبمة عند تشغيل إعداد السخونة الزائدة.
- ※D1418 و ※D1419 فقط

## ٥ الوقت المتبقي

- قبل البدء: تعرض الشاشة الوقت اللازم للبرنامج المطلوب.
- بعد البدء: تعرض الشاشة الوقت المتبقي.
- إذا حدثت أي مشكلة في غسالة الصحون، تعرض الغسالة رمز المشكلة.
- «OE»، «FE»، «E»، «EI»، «HE»، «CE»، «LE»، «E»
- إذا ظهر رمز الخطأ يرجى مراجعة دليل تحديد المشاكل وإصلاحه في الصفحة ٢٦ واتبع الدليل.

## ٦ تأخير التشغيل

- اضغط هذا الزر إذا أردت تأخير تشغيل البرنامج المطلوب.
- اضغط هذا الزر لزيادة الوقت ساعة.
- يمكن ضبط تأخير التشغيل من ساعة إلى ١٩ ساعة.

## ٧ البرنامج

- اضغط على الدورة التي تتوافق مع دورة الغسيل المطلوبة.

## ٨ حار جدا) ※ D1418 و ※ D1419 فقط)

- إذا اخترت وظيفة «Extra Hot (حار جدا)». ترتفع درجة الحرارة إلى ٨٠° م. (الكثافة المزدوجة، اتوماتيكي / ألي، اقتصادي)

## ٩ زمر التشغيل / إيقاف

- لا بد من تشغيل غسالة الصحون.
- يمكنك ضبط وظيفة تشغيل/إيقاف الزمر من خلال الضغط على زر Eco (اقتصادي) وزر Gentle (لطيف) معا ولثوان معدودة.

## ١٠ قفل حماية الطفل

- يستخدم لقفل أو فك قفل أزرار لوحة التحكم لمنع تغييرها من قبل الأطفال.
- لتنشيط أو إلغاء وظيفة Child Lock (قفل حماية الطفل)، اضغط بالتزامن على الأزرار Gentle (لطيف) و Quick (سريع) ليضع ثواني أثناء تشغيل غسالة الأطباق.
- سوف يتم تعطيل جميع أنظمة التحكم باستثناء أزرار Child Lock (قفل حماية الطفل) و Power (تشغيل / إيقاف).
- لن تتم إعادة ضبط وظيفة Child Lock (قفل حماية الطفل) في حال إيقاف تشغيل غسالة الأطباق. يجب إلغاء وظيفة القفل الأبوي قبل أن تتمكن من تشغيل غسالة الأطباق.

## ١١ تشغيل / إيقاف

- اضغط هذا الزر لتشغيل الجهاز.
- بعد التشغيل ينطفئ الجهاز تلقائياً للسلامة وتوفير الطاقة.
- في حال حوث خلل مفاجئ في الجهاز ينقطع التيار الكهربائي تلقائياً للسلامة.

# قبل الاستخدام لأول مرة

## إعداد عسر الماء

✘ يجب عليك التحقق من درجة عسر الماء وضبط مستوى نظام التخفيف قبل تشغيل غسالة الأطباق.

### الخطوة ١. إحصائي وتعرفي على مستوى درجة عسر الماء

<مستوى عسر الماء>

| °dH   | °fH   | °Clarke | mmol/l  | *L |
|-------|-------|---------|---------|----|
| 0-3   | 0-6   | 0-4     | 0-6     | H1 |
| 4-6   | 7-11  | 5-8     | 0,7-1,1 | H2 |
| 7-9   | 12-16 | 9-11    | 1,2-1,6 | H3 |
| 10-12 | 17-21 | 12-15   | 1,7-2,1 | H4 |
| 13-16 | 22-29 | 16-20   | 2,2-2,9 | H5 |
| 17-21 | 30-37 | 21-26   | 3,0-3,7 | H6 |
| 22-30 | 38-54 | 27-38   | 3,8-5,4 | H7 |
| 31-50 | 55-89 | 39-62   | 5,5-8,9 | H7 |

( \*L : مستوى نظام التخفيف )

#### الطريقة الأولى

(١) ختقي من درجة عسر الماء في منطقتك.

(يمكن أن تساعدك شركة مرفق المياه في هذا الأمر.)

(٢) إضبطي مستوى نظام التخفيف في غسالة الأطباق وفقاً لمستوى

عسر الماء. إرجعي إلى الخطوة ٢.

#### الطريقة الثانية

(١) ختقي من درجة عسر الماء باستخدام شريط الاختبار.

(٢) إجراءات الاختبار

① إغمسي جميع مناطق التفاعل الخاصة بشريط الاختبار لمدة ثانية واحدة تقريباً (وليس في الماء الجاري!).

② هزي الشريط للتخلص من أي ماء زائد وانتظري لمدة دقيقة واحدة.

بعدئذ سوف يتغير اللون الأخضر لمنطقة التفاعل إلى الأحمر-البنفسجي.

③ قم بعد العلامات الحمراء-البنفسجية في الشريط.

<مستوى عسر الماء>

| مستوى نظام التخفيف | نوعية الماء | نطاق عسر الماء |                |           |           |         | عدد المناطق (أحمر-بنفسجي) |
|--------------------|-------------|----------------|----------------|-----------|-----------|---------|---------------------------|
|                    |             | mg/l Ca        | mmol/l (Ca+Mg) | f°        | e°        | d°      |                           |
| H0, H1             | خفيف        | 50<            | 1,3>           | 12,5>     | 9>        | 7>      | 1                         |
| H2, H3             | متوسط العسر | 100 - 50       | 2,5 - 1,3      | 25 - 12,5 | 17,5 - 9  | 14 - 7  | 2                         |
| H4, H5             | عسر         | 150 - 100      | 3,8 - 2,5      | 37 - 25   | 26 - 17,5 | 21 - 14 | 3                         |
| H6, H7             | عسر جدا     | 150<           | 3,8<           | 37<       | 26<       | 21<     | 4                         |

$$1^{\circ}e = 14.25 \text{ mg/l CaCO}_3$$

$$1^{\circ}f = 10 \text{ mg/l CaCO}_3$$

$$(1^{\circ}d = 10 \text{ mg/l CaO} (=1,78^{\circ}f) (=1,25^{\circ}e$$

(٣) إضبطي مستوى نظام التخفيف في غسالة الأطباق وفقاً لمستوى عسر الماء. إرجعي إلى الخطوة ٢.

### الخطوة ٢. إعداد مستوى نظام التخفيف في غسالة الأطباق الخاصة بك.

قم بضبط ميسر الماء بما يتوافق مع عسورة الماء في منطقتك.

يحتوي ميسر الماء على ٨ درجات.

تم ضبط عسورة الماء على «H4» في المصنع، ويمكن ضبط وتغيير هذه القيمة باستخدام الأزرار على لوحة التحكم.

التحكم.

١. تأكد من إطفاء غسالة الصحون.

٢. إضغط زر Half Load (صَف الحمل) و Power (تشغيل / إيقاف) معاً وأبقهما مضغوطين.

٣. لتغيير قيمة الضبط: إضغط Half Load (صَف الحمل) وستجد القيم تتغير واحدة تلو الأخرى.

ستعرض الشاشة قيم بين «H7» و «H1».

٤. عندما تحصل على قيمة الضبط الصحيحة إضغط زر Delay Start (تأخير التشغيل). ليتم حفظ القيمة.

## قبل الاستخدام لأول مرّة

### الخطوة ٣. ملء الملح

يوجد مادة ميسّرة للماء خاصة بهذا الطراز.

يرجى قراءة هذه التعليمات بتمعن للحصول على تشغيل صحيح.

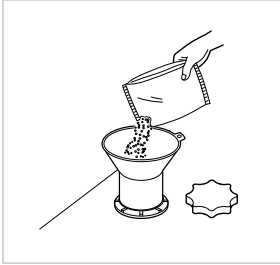
يجب الحصول على ماء ميسّر للحصول على نتائج شطف مرضية. ويجب أن لاحتوي على اللايم لأن ذلك قد يترك بقعاً على الأواني والأجزاء الداخلية للغسالة.

في حال أن الماء الذي يخرج من الصنبور عسيراً فيجب إضافة ميسّر للماء. ويتم تحديد كمية الملح الميسّر اعتماداً على درجة عسارة المياه.

### ■ ملء الملح

املئي وعاء الملح المتجدد قبل بدء برنامج الغسيل.

وبمجرد امتلائه بالملح، يجب تشغيل دورة "الغسيل المسبق" أو "سريع" على الفور لإزالة الملح والماء الملحي المتجمع حول الحوض لمنع التآكل.



- إنزع الرف السفلي وقم بتدوير غطاء العبوة لفتحه.
- قبل استخدام غسالة الأطباق لأول مرة، من الضروري أن تقومي بصب ١,٥ كجم ملح وا لتر ماء في الوعاء.
- إستعمل القمع ليكون ملء العبوة بشكل نظيف وآمن. وتأكد من أن هذا الملح للاستخدام في غسالات الصحون.
- بعد ملء العبوة قم بمسح أي ملح تم تسربه خارج العبوة.
- قم بإغلاق الغطاء بشكل محكم لمنع أي تسرب للملح خارج العبوة.

### الخطوة ٤. إضافة مساعد الشطف

### ■ مساعد الشطف

لملء عبوة مساعد الشطف. قم بتدوير الغطاء عكس عقارب الساعة وانزعه من مكانه، ثم إملاء العبوة بنوعية جيدة من بمساعد الشطف إلى أقصى حد. بعد لك أعد الغطاء إلى مكانه وأغلقه جيداً. سيتم التخلص من مساعد الشطف بشكل تلقائي خلال آخر دورة للغسيل.

إن الكمية المستخدمة منم مساعد الشطف مضبوطة من قبل المصنع لتلائم معظم الأواني. في حال رؤية بقع ضبابية أو علامات ماء قم بزيادة كمية جرعة مساعد الشطف المستعملة وذلك عبر إزالة غطاء وإدارة سهم المؤشر إلى القيمة أعلى. ومن ثم إعادة الغطاء، وإذا ظهرت رغوة على الأواني أو عليها علامات إختار القيمة الأدنى.



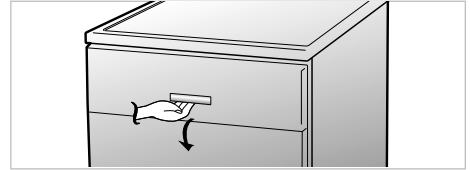
## ١. تحميل غسالة الصحون

إذا أردت الحصول على أفضل النتائج قم بتحميل غسالة الصحون وفقاً للتعليمات.

قم قبل وضع الأواني في غسالة الصحون بتنظيفها من البقايا الكبيرة المتروكة عليها مثل: العظام وغير ذلك.

يرجى اتباع مايلي عند تحميل غسالة الصحون:

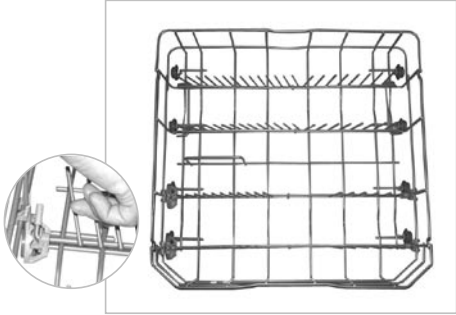
- ضع الفخاريات بطريقة تمكن جميع الأسطح من ملاقة الماء.
- يجب وضع الأواني العميقة بطريقة تسهل جفافها.
- يجب نزع الأواني التي تحتوي طعاماً قبل وضعها في الغسالة.



## ٢. تحميل الرف السفلي

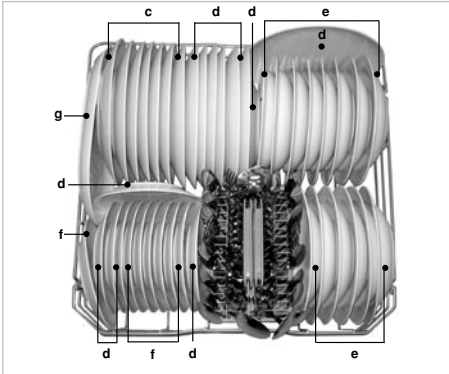
السلة السفلى هي الأفضل لتحميل الصحون، وأوعية الحساء، والأطباق، والقدر، والمقلاة، والأغطية، وحتى صينية التشويه. ولا بد من وضع الصحون مستقيمة وهي تتجه الى وسط الرف. ولا بد من قلب القدر والمقلاة والأطباق الكبيرة.

### ■ كيفية الاستخدام



يمكن ثني القواطع في الرفين السفلي لتحسين ترتيب الأواني فوق بعضها.

### ■ أمثلة التحميل (فحص الطاقة)



|   |            |   |       |   |       |
|---|------------|---|-------|---|-------|
| a | حليب       | b | شاي   | c | لحوم  |
| d | بيض        | e | شوفان | f | سبانخ |
| g | سمنة صناعي |   |       |   |       |

إنتهبه أن لا تدع الأجسام الكبير تخرج خلال دوران ذراع الرش. وأن لا تسد مخرج سائل التنظيف.

## ٣. استعمال سلة أدوات الأكل

### ■ أمثلة الحمل (فحص الطاقة)



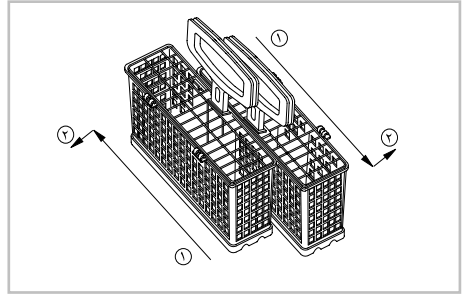
يجب وضع أدوات الأكل مع بعضها في السلة لمنع تداخلها مع أدوات ماثلة.

ضع الأدوات الصغيرة على الغطاء الخاص بها ويمكن وضع المقابض عليها وإبقائها بعيداً عند عدم الاستعمال.

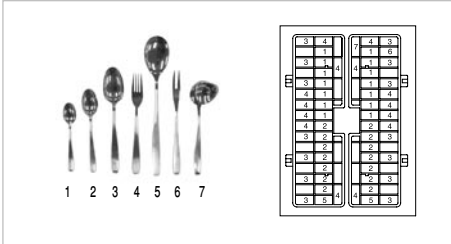
يجب وضع السكاكين في مكان منفصل.

احذر عند تحميل وتفريغ الأدوات الحادة.

### ■ كيفية الاستخدام



اسحب السلتين بإجّاه معاكس ثم اسحبهما لإبعادهما عن بعض.



### ⚠ تحذير

يتوجب وضع السكاكين والأدوات ذات الأطراف المدببة داخل السلة وأطرافها الحادة لأسفل أو أن توضع في وضعية أفقية.

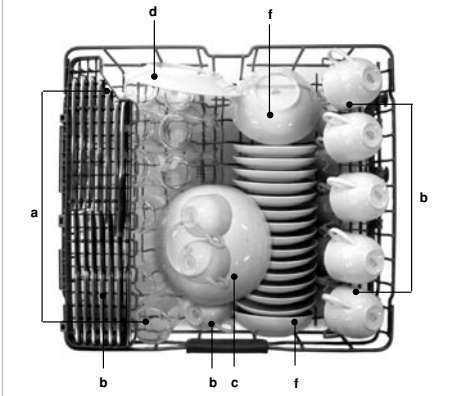
## كيفية الاستخدام والتشغيل

### ٤. تحميل الرف العلوي

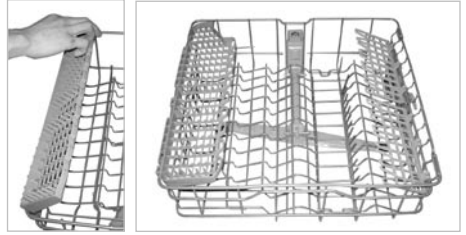
من الأفضل تحميل هذا الرف بالأواني الحساسة مثل الصحون الصغيرة والأدوات الطويلة والفناجين والكؤوس والأدوات البلاستيكية التي تصلح لغسالات الصحون. يجب وضع الصحون للأعلى حيث يواجه أسفل الصحن أمام الرف. وتوضع الفناجين والكؤوس والزبادي مقلوبة. وتوضع الفناجين الزائدة وأدوات الطبخ علي رف الفناجين القابل للفتح. إنتبه من إعاقة حركة ذراع رشاش المياه في الرف العلوي.

### كيفية الاستخدام

### ■ أمثلة التحميل (فحص الطاقة)



|            |   |       |   |       |   |
|------------|---|-------|---|-------|---|
| حليب       | a | شاي   | b | خوم   | c |
| بيض        | d | شوفان | e | سبانخ | f |
| سمنة صناعي | g |       |   |       |   |



### الأدوات الغير آمنة في غسالة الصحون

إن مزيج المياه الحارة جداً مع مواد التنظيف قد يسبب تلف بعض الأدوات. ولهذا فإننا نوصي بعدم استخدام الأدوات التالية:

- المواد المطعمة بالنحاس أو الألمنيوم مع البيود
- الفخاريات المرسوم عليها يدوياً بالفضة أو الذهب
- أدوات الطعام التي تحتوي مقابض من الخشب أو العظم
- الحديد أو الأدوات التي لا تقاوم الصدأ
- البلاستيك الذي لا يلائم غسالات الصحون

# كيفية الاستخدام والتشغيل

## 5. ضبط الرف العلوي

D1417W(L,M,T,B,C,D)F(B,U) ■  
D1418W(L,M,T,B,C,D)F(B,U)

يمكنك رفع الرف العلوي أو خفضه لموائمة الأواني بمختلف أحجامها.

قبل ضبط. تأكد من أن الرف خالي من أي أواني وقم بإخراجها.

أعد إدخال الرف في المكان المحدد.

يساعد تركيب الرف مرة أخرى في المكان القياسي على التقليل من الفراغات بين الرف العلوي والرف السفلي.

وبعد الضبط. تحقق من أن ذراع الرش يمكن تدويره بحرية.

D1419W(L,M,T,B,C,D)F(B,U) ■

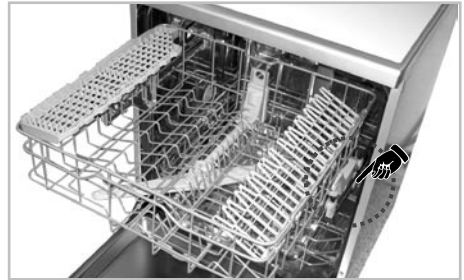
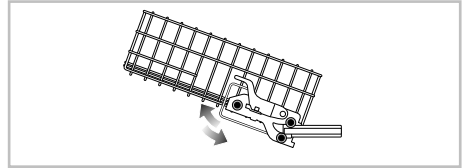
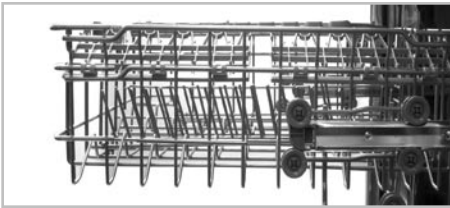
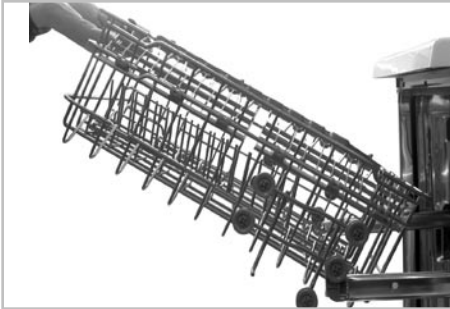
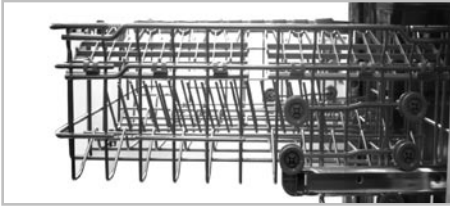
يمكن تغيير ارتفاع الرف العلوي لاستيعاب مجموعة مختلفة من الفخاريات. تأكد من خلو الرف عند تغيير الارتفاع.

يمكنك تغيير ارتفاع الرف برفعه إلى الأعلى أو من خلال الضغط على مقبضي تغيير الارتفاع وتخفيضه للأسفل.

ونوصي بإبقاء الرف العلوي مستوي. وعند سحب الرف إلى الأمام. أمسك بالرف نت منتصفه.

مكان الإمساك به

تأكد بعد ضبط مستوى الرف من أن ذراع الرش حرة الحركة.



### ⚠ تحذير

تأكد قبل ضبط الارتفاع من خلو الرف من جميع الأواني والأدوات. ففي حال وجود أواني قد يؤدي ذلك إلى خطم الأواني أو إصابتك بأذى.

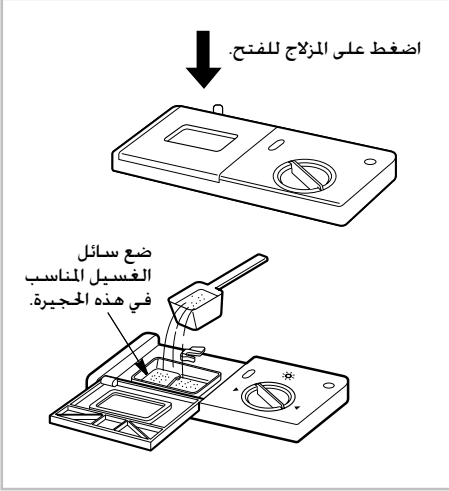




# كيفية الاستخدام والتشغيل

## 1. إضافة مادة التنظيف

- يجب إضافة مواد التنظيف قبل البدء بأي برنامج.
- يرجى اتباع توصيات المصنع في دليل الاستخدام للتأكد من كمية مواد التنظيف المطلوبة.
- يمكن استخدام كمية أقل بشكل بسيط من الكمية العادية إذا كانت متوسطة الاتساخ.
- حمل الحاويات ٥١ جرام و ٥٢ جرام.
- تعتمد كمية مواد الغسيل على البرنامج المطلوب.
- يرجى مراجعة الجدول.



### ⚠ تحذير

يتم استخدام منظف خاص بغسّالات الصحون ولهذا يجب الحذر عند التعامل مع هذا المنظف لأنه مثل باقي المنظفات مادة كيميائية تشكل خطراً. ويجب الحفاظ عليها بعيداً عن الأطفال. يجب تفقد مخزن مادة التنظيف بعد الانتهاء من كل برنامج والتخلص من أي مادة باقية.

### ⚠ تنبيه

استخدام مزيج من منتجات التنظيف. تحتوي بعض مواد التنظيف على مواد مساعدة للشطف وهي تعمل بشكل ممتاز مع بعض برامج الغسل فقط.

يمكنك الحصول على أفضل نتيجة من خلال استخدام مواد مساعدة وملح عادية ومنفصلة. إن المواد التي تستبدل ملح التجديد يمكن استخدامها في مياه ذات نسبة عسورة معينة. يُرجى الاتصال بمصنّع مواد التنظيف إذا كان التجفيف سيئاً جداً أو في حال ظهور علامات الشريط الأبيض عند استخدام مادة تنظيف متكاملة.

نحن لا نضمن العمل مع استخدام مواد تنظيف من ذلك النوع.

| البرنامج                          | كمية مواد التنظيف |
|-----------------------------------|-------------------|
| Dual Intensity (الكثافة المزدوجة) | ٢٥ جرام           |
| Auto (اتوماتيكي / ألي)            | ٢٠ جرام           |
| Eco (اقتصادي)                     | ١٥ جرام           |
| Gentle (لطيف)                     | ١٥ جرام           |
| Quick (سريع)                      | ١٠ جرام           |

- يجب إغلاق غطاء مخزن حمّيل مواد التنظيف بعد ملئها
- تخرج مواد الغسيل تلقائياً عند الغسيل
- يبقى غطاء مخزن مواد التنظيف مفتوح بعد العمل

## معلومات مواد التنظيف

استخدم مواد التنظيف التي يجب استخدامها مع غسّالات الصحون المنزلية (لا يجب استخدام سائل الجلي المنزلي مع غسّالة الصحون لأن الرغوة الناجمة قد تغير من برنامج الغسيل).

## كيفية الاستخدام والتشغيل

### ٧. إعادة التعبئة

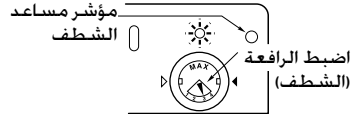
#### ● لإعادة تعبئة مساعد الشطف

قد تحتاج الغسالة إلى إعادة ملء خزان مساعد الشطف مرة كل شهر وذلك اعتماداً على الاستخدام. ويمكن تفقد حالة مساعد الشطف بأحد الحالتين التاليتين:

- من خلال نافذة المؤشر الموجودة على الحزن والتي يمكن رؤيتها عندما يكون باب غسالة الصحون مفتوحة كلياً.

#### ● الأسود يدل على وجود كمية كافية

#### ○ الأبيض يدل على عدم وجود كمية كافية



- من خلال الضوء الظاهر على لوحة التحكم أثناء عمل غسالة الصحون

عندما يكون الضوء ظاهراً يعني أن مساعد الشطف قارب على الإنتهاء.



#### ■ لإعادة ملء الملح

عندما يكون مخزن الملح فارغاً سيضيء مؤشر الملح تلقائياً خلال تشغيل غسالة الصحون. يجب ملء الملح بعد الانتهاء من دورة الغسيل. كما أننا ننصح بملء الملح قبل البدء بالغسيل لإزالة أي ملح زائد من المره السابقة.

إن إضاءة المؤشر تعني أن الملح قد فرغ تقريباً. قم بإعادة ملئه بأسرع وقت ممكن.



#### ملاحظة

- قد يتطلب بعض الوقت بعد ملء الملح ليطفى المؤشر
- إذا كان الجهاز يعمل على «Hi7» فلا حاجة لماء الملح لأنه لا يستخدم الملح في هذا البرنامج. أمّا إذا كان الجهاز يعمل على البرامج بين «Hi1» و «Hi7» فيجب إضافة الملح للمخزن.

#### ⚠ تحذير

لا تقم بإضافة مواد التنظيف إلى مخزن الملح لأن ذلك سيتلف ميسر الماء.

#### معلومات عن مساعد الشطف

يعمل مساعد الشطف على إزالة البقع والعلامات عن الصحون ويحسن من جفاف الأواني. إنّ استخدام الكمية المناسبة يحسن من نوعية غسيل الأواني. أمّا استخدام كمية زائدة فقد يولد رغوة زائدة وتسرب للمياه.

## ٨. التجفيف

- للمساعدة على التجفيف ننصح بفتح الباب كاملاً بعد إنتهاء دورة الغسيل.

## ٩. فحص الطاقة (EN50242)

- تم تحميل الجهاز وفقاً للموصفات القياسية.
- مثال عن غسالة الصحون المحمولة» ص ١٥-١٧
- السعة: ضبط لـ ١٤ مكاناً
- نظام المقارنة: اقتصادي
- ضبط مساعد الشطف: ٤
- مرجع التنظيف: ٨ جرام من المنظف داخل سطح الباب ومملء ٢٧ جرام في مخزن المنظف
- يجب إدخال الرف الذي على شكل حرف U القابل لضبط الارتفاع في الوضع الأعلى.

## تسلسل التشغيل

كما سيظهر زمن البرنامج الذي اخترت. وبعد البدء سيظهر الزمن المتبقي. ومن ثم يبدأ الزمن بالنقصان دقيقة بعد أخرى.

إذا تم فتح البات خلال دورة التشغيل تتوقف الغسالة عن العمل كإجراء سلامة. وعند إعادة إغلاق الباب ستعود الغسالة للعمل من النقطة التي توقفت عندها.

### في نهاية برنامج الغسيل

سيتم عرض كلمة End وهي النهاية وسيطلق صوت زمر. وبعد ذلك ستنتطفئ غسالة الصحون بشكل بشكل تلقائي للسلامة وحفظ الطاقة.

في حالة اختيار وظيفة جفيف بارد «Cool Dry». عندئذ يتم عرض «Cd» على الشاشة للإشارة إلى أن غسالة الأطباق في وضع التجفيف على «Cool Dry» البارد. ومن ثم فإن غسالة الأطباق تتوقف عن التشغيل تلقائيًا فيما بعد.

### تنبيه

قم بإفراغ الرف السفلي أولاً ومن ثم الرف العلوي لأن ذلك يمنع قطرات الماء من الرف العلوي من التساقط على الأواني في الأسفل.

### حذير

لا ينح عموماً بفتح باب غسالة الصحون وهي تعمل. وفي حال الفتح فإن آلية السلامة تعمل على وقف عمل الغسالة. يجب أخذ الحيطه والجذر في حال فتح الغسالة وهي تعمل وخصوصاً خلال وبعد مرحلة الماء الحار. لأن ذلك يؤدي إلى خروج البخار.

### تنبيه

لا ينبغي ترك الباب في وضعية الفتح لما قد يمثله هذا من خطر قائم.

### إضغط زر «تشغيل / إيقاف (Power)»

### تأكد من وجود مساعد للشطف وملح

ستضيء مؤشرات المواد التي تحتاج إلى إعادة التعبئة.

### إفتح الباب وتأكد من الفلاتر

تأكد من نظافتها ومركبة بشكل صحيح (تعليمات الصيانة للمستخدم).

### حَمَل الصحون

قم بإزالة أي طعام زائد. إسحب الرف السفلي ورتب الصحون والأدوات. إسحب الرف العلوي ورتب الفنجانين والكؤوس وغيرها.

### تنبيه

لا حَمَل أي شيء في الرف العلوي عندما يكون الرف السفلي مسحوباً.

### تأكد من حرية حركة أذرع رشاشات الماء

### قم بقياس مادة التنظيف

أضف الكمية المطلوبة من مواد التنظيف إلى الحزن وأغلق الغطاء.

### ضبط وبدء البرنامج

ضغط زر البرنامج لاختيار البرنامج المطلوب.

ستبدأ الغسالة بالعمل بعد ١٠ ثوان. اختر الوظيفة المطلوبة مع البرنامج. حيث ستضيء مؤشرات البرنامج الذي اخترت وجميع الوظائف الأخرى.

◀ قد يختلف زمن التشغيل اعتماداً على درجة حرارة الماء وضغط الماء وقوة التيار الكهربائي.  
 ▶ زمن التشغيل لا يتضمّن "التجفيف البارد (Cool Dry) وهو ٣٠ دقيقة.

| التجفيف البارد | التجفيف | الشطف                                 |         |         |         | الغسل |           | البرنامج                                    |
|----------------|---------|---------------------------------------|---------|---------|---------|-------|-----------|---|
|                |         | الشطف الحار                           | الشطف ٣ | الشطف ٢ | الشطف ١ | الغسل | قبل الغسل |   |
|                |         | ٧٠ م                                  |         |         |         | ٦٠ م  | ٤٠ م      | <b>Dual Intensity</b><br>(الكثافة المزدوجة) |
|                |         | هذا البرنامج محسّن وفق اتساخ الأواني. |         |         |         |       |           | <b>Auto</b><br>(اتوماتيكي / ألي)            |
|                |         | ٦٠ م                                  |         |         |         | ٤٣ م  |           | <b>Eco</b><br>(اقتصادي)                     |
|                |         | ٧٠ م                                  |         |         |         | ٤٥ م  |           | <b>Gentle</b><br>(لطيف)                     |
|                |         | ٦٥ م                                  |         |         | ٥٠ م    | ٥٠ م  |           | <b>Quick</b><br>(سريع)                      |

## اقتصادي

هذا البرنامج للتوفير بالطاقة واستهلاك المياه مع غسيل جيد. وينصح باستخدامه في كل مرة.

## لطيف

هذا البرنامج لغسل الأواني الحساسة مثل الكؤوس.

## سريع

يستخدم هذا البرنامج لغسيل الأواني المستعملة حديثاً. فعند الانتهاء من هذا البرنامج سيتم تشغيل برنامج «التجفيف البارد» بشكل تلقائي للحصول على نتائج جيدة.

## الكثافة المزدوجة

تُستخدم هذه الدورة في غسيل الأرفف العلوية والسفلية بكميات رش مختلفة.

يتم غسيل الرف السفلي بالرش القوي بالنسبة للعناصر صعبة التنظيف. بينما يتم غسيل الرف العلوي بالرش اللطيف بالنسبة للعناصر الأكثر سهولة.

يوفر ذلك الأداء الأمثل للتنظيف بالنسبة للأحمال المختلطة. بما في ذلك الصيني الناعم والأواني الزجاجية.

## اتوماتيكي / ألي

يتم خلال هذا البرنامج تحديد درجة اتساخ الأواني حسب درجة تعكر المياه. حيث يقوم البرنامج بضبط زمن التنظيف ودرجة حرارة المياه. ونتيجة لذلك فإن استهلاك الماء والكهرباء يكون أقل ما يمكن. إن ظهور حرف «F» على الشاشة يعني أن المستشعر يتابع حالة الغسيل.

## إعادة التشغيل التلقائية

إعادة التشغيل آلياً إذا تم إطفاء غسالة الصحون نتيجة إنقطاع التيار الكهربائي فإنها ستعود للعمل ثانية عند عودة الطاقة وبعد الضغط على زر Power (تشغيل / إيقاف).

## تعليمات الصيانة للمستخدم

ينصح بتفقد الفلاتر وأذرع بخاخات الماء بشكل منتظم لتفادي حدوث مشاكل وتشغيل سيري:

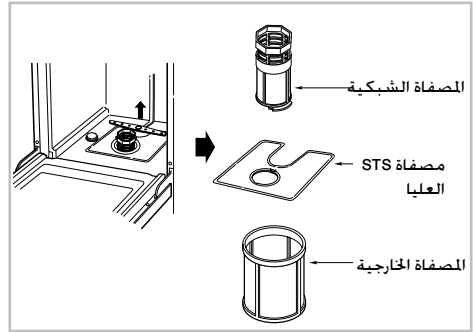
### ذراع الرشاش السفلي

- تأكد من أن فتحات بخاخ الماء غير مسدودة.
- في حال الحاجة للتنظيف إسحب الذراع وأخرجها من مكانها.
- نظّف ذراع الرشاش وأعدّها إلى مكانها بالسحب للأسفل.



### المصافي

- إسحب الرف السفلي أولاً.
- أدر المصفاة الشبكية عكس عقارب الساعة.
- إسحب المصفاة الشبكية ومصفاة STS والمصفاة الخارجية.
- قم بتنظيفهم إذا دعت الحاجة.
- قم بإعادتهم إلى مكانهم حسب الترتيب.



### ذراع الرشاش العلوية

- إسحب الرف العلوي إلى الأمام.
- تأكد من أن فتحات بخاخ الماء غير مسدودة.
- في حال الحاجة للتنظيف إسحب الذراع بعد فك البراغي.
- نظّف ذراع الرشاش وأعدّها إلى مكانها.



- قم بتنظيف المصافي بعد كل دورة غسيل للحصول على نتائج أفضل.
- تأكد قبل التشغيل أن المصافي مركبة بشكل صحيح. لأن عدم التركيب الصحيح يؤدي إلى غسيل سيء.

## دليل تحديد المشاكل وحلها

- في حال حدوث مشكلة ما أنظر إلى الجدول أدناه عن وجود حل لها.
- في حال عدم القدرة على حل المشكلة برج الاتصال بمركز الخدمة.

| المشكلة                                   | السبب المحتمل  | الحل  |
|---|--|---|
| لا تضيء أي مؤشرات عند تشغيل الجهاز.       | <ul style="list-style-type: none"> <li>لم يتم إدخال القابس في المأخذ الكهربائي بشكل صحيح.</li> <li>احتراق قاطع (فيوز) أو انطفاءه.</li> <li>تم قطع التيار الكهربائي.</li> </ul>   | <ul style="list-style-type: none"> <li>تفقد القابس الكهربائي.</li> <li>تفقد الكهرباء.</li> <li>اتصل بالخدمة.</li> </ul> |
| لا يمكن تشغيل الغسّالة.                   | <ul style="list-style-type: none"> <li>لم يتم إغلاق الباب بشكل جيد.</li> <li>لم يتم ضغط زر التشغيل.</li> </ul>   | <ul style="list-style-type: none"> <li>أغلق الباب.</li> <li>إضغط زر البدء.</li> </ul>                                   |
| أذرع رشاشات المياه لا تتحرّك بسلاسة.      | <ul style="list-style-type: none"> <li>وجود بقايا طعام عالقة بذراع الرشاش.</li> </ul>  | <ul style="list-style-type: none"> <li>نظف فتحات رش المياه.</li> </ul>  |
| ظهور مخلفات بيضاء بعد الانتهاء من الغسيل. | <ul style="list-style-type: none"> <li>كمية مادة التنظيف أو مساعد الشطف غير صحيحة.</li> <li>مخزن الملح فارغ.</li> <li>غطاء مخزن الملح غير محكم الإغلاق.</li> </ul>   | <ul style="list-style-type: none"> <li>تفقد مادة التنظيف أو مساعد الشطف.</li> <li>تفقد مخزن الملح أو الغطاء.</li> </ul> |
| ظهور علامات علي الأواني الزجاجية.         | <ul style="list-style-type: none"> <li>تم إخراج الكثير من مساعد الشطف.</li> </ul>  | <ul style="list-style-type: none"> <li>إملاً بمساعد الشطف.</li> <li>اضبط مستوى مساعد الشطف.</li> </ul>                  |
| التجفيف لا يتم كما يجب.                   | <ul style="list-style-type: none"> <li>تم إخراج الكثير من مساعد الشطف.</li> </ul>  |   |
| نتائج الغسل غي مرضية.                     | <ul style="list-style-type: none"> <li>كمية غير صحيحة من مواد التنظيف.</li> <li>أدوات الصعّام غير مرتبة جيداً أو كثيرة.</li> <li>فتحات رش المياه مسدودة.</li> <li>حركة أذرع رش المياه مقيدة بأدوات الطعام.</li> <li>تم اختيار برنامج تنظيف غير مناسب.</li> </ul> |   |

## دليل تحديد المشاكل وحلها

| المشكلة  | السبب المحتمل   | الحل  |
|--|---|---|
| يظهر على الشاشة «OE».<br>(لا يمكن تصريف المياه)        | <ul style="list-style-type: none"> <li>خرطوم التجفيف مثنى.</li> <li>المصفاة مسدودة.</li> <li>المحرك لا يعمل (محرك الغشيل أو محرك التجفيف).</li> </ul> | <ul style="list-style-type: none"> <li>قم بتسوية الخرطوم.</li> <li>نظف المصافي.</li> <li>إذا لم تحل المشكلة إتصل بمركز الخدمة.</li> </ul> |
| يظهر على الشاشة رمز «IE».                              | <ul style="list-style-type: none"> <li>لا يتم تزويد المياه.</li> <li>لم يتم فتح صنبور المياه.</li> <li>مؤشر الماء لا يعمل جيداً.</li> </ul>           | <ul style="list-style-type: none"> <li>تفقد صنبور الماء.</li> <li>إذا لم تحل المشكلة إتصل بمركز الخدمة.</li> </ul>                        |
| يظهر على الشاشة رمز «E1».<br>(مضخة التجفيف التلقائية.) | <ul style="list-style-type: none"> <li>يوجد تسرب من خرطوم تزويد الماء.</li> <li>تلف في الجهاز بسبب تسرب في الماء.</li> </ul>                          | <ul style="list-style-type: none"> <li>أغلق صنبور الماء وانزع قابس التيار الكهربائي.</li> <li>إتصل بمركز الخدمة.</li> </ul>               |
| يظهر على الشاشة رمز «FE».<br>(مضخة التجفيف التلقائية.) | <ul style="list-style-type: none"> <li>تزويد الماء يفوق التزويد الاعتيادي.</li> <li>يوجد مشكلة في صمام إدخال الماء.</li> </ul>                        |   |
| يظهر على الشاشة رمز «HE».                              | <ul style="list-style-type: none"> <li>دائرة تسخين الماء تالفة.</li> </ul>  |   |
| يظهر على الشاشة رمز «tE».                              | <ul style="list-style-type: none"> <li>مشكلة في ميزان الحرارة أو يتم التزويد بماء مرتفع الحرارة.</li> </ul>   |   |
| يظهر على الشاشة رمز «LE».                              | <ul style="list-style-type: none"> <li>مشكلة في المحرك</li> </ul>   |   |
| يظهر على الشاشة رمز «CE».                              | <ul style="list-style-type: none"> <li>مشكلة في المحرك</li> </ul>   |   |



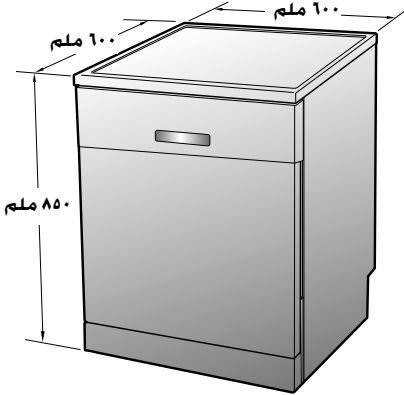
## دليل تحديد المشاكل وحلها

■ هذه ليست أكواد خطأ تُشير إلى وجود عطل.

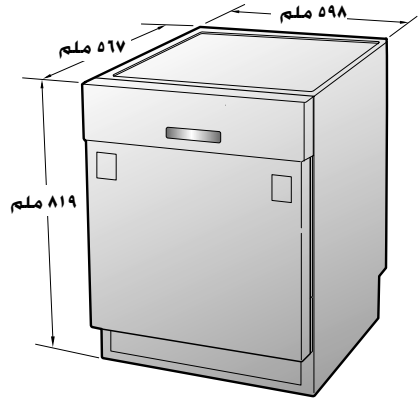
| الوصف   | لكود                            |
|---|---------------------------------|
| يُشير ذلك إلى وجود انقطاع في التيار الكهربائي. تساعد هذه الوظيفة على حماية غسالة الأطباق في حال انقطاع التيار الكهربائي أو انقطاع الكهرباء عن الوحدة. وبعد عودة التيار الكهربائي، وعند الضغط على أحد الأزرار، سوف يتم عرض ذلك لمدة ١٠ ثواني ثم يختفي. | تعرض الشاشة الكود «PF»          |
| «Cd» يُقصد به Cool-Dry (جفيف على البارد). وهي دورة جفيف إضافية للمساعدة على أداء التجفيف في دورة «سريعة». يستمر تشغيل هذه الدورة لمدة ٣٠ دقيقة إضافية بعد انتهاء الدورة. ويمكن إيقافها في أي وقت عن طريق فتح الباب.                                   | تعرض الشاشة الكود «Cd»          |
| «CL» يُقصد بها Child-Lock (القفل الأبوي). تُستخدم هذه الوظيفة في قفل أو إلغاء قفل أزرار التحكم حتى لا يقوم أي طفل بتغيير الإعداد بالكامل. ولا يمكن تنشيطة إلا خلال دورة الغسيل.   | تعرض الشاشة الكود «CL»          |
| عندما تظهر «F» على الشاشة يكون المستشعر يقوم بقياس درجة نقاء الماء. وبعد ٥ دقائق من الاستشعار (باستثناء التصريف والتعبئة)، سوف تقوم شاشة الوحدة بعدئذ بعرض وقت المعالجة.  | تعرض الشاشة الكود «F»           |
| لا يُعتبر ذلك كود خطأ، لكنه يُشير إلى ضبط البداية المتأخرة. وإلغاء الوظيفة، أو وقف تشغيل الطاقة. ولتغيير الدورة والخيار، افتح الباب واختر دورة أرى وخيار آخر. ثم سيستمر العد التنازلي بعد غلق الباب مرة أخرى.   | تعرض الشاشة الأرقام من ١ إلى ١٩ |

## المواصفات

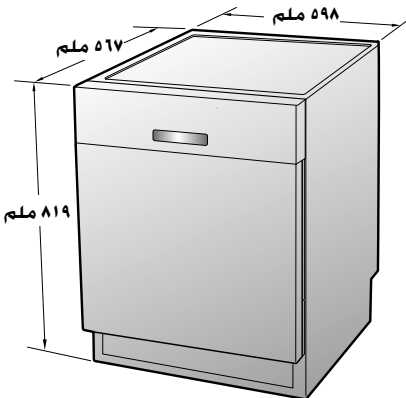
D1417W(L,M,T,B,C,D,A)F  
D1418W(L,M,T,B,C,D,A)F  
D1419W(L,M,T,B,C,D,A)F



D1417W(L,M,T,B,C,D,A)B  
D1418W(L,M,T,B,C,D,A)B  
D1419W(L,M,T,B,C,D,A)B



D1417W(L,M,T,B,C,D,A)U  
D1418W(L,M,T,B,C,D,A)U  
D1419W(L,M,T,B,C,D,A)U

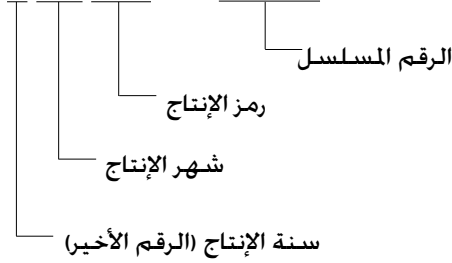


|                 |                 |
|-----------------|-----------------|
| السعة           | ١٤ مكان للضبط   |
| الوزن           | على ملصق المعدل |
| مزود الطاقة     | على ملصق المعدل |
| استهلاك الطاقة  | على ملصق المعدل |
| ضغط تزويد الماء | ٨٠٠~٥٠ كيلو بار |

## ■ الرقم المسلسل

كيفية قراءة تاريخ الرقم المسلسل  
: رقعة الرقم المسلسلة ملصقة على يمين السطح الداخلي من الباب.

على سبيل المثال : **909KW\*\*00001**



## ■ قائمة قطع الغيار الرئيسية

: عند تبديل تردد غسالة الصحون (٦٠ هرتز – ٥٠ هرتز).

لا بد من تبديل قطع الغيار التالية .

\* مجموعة الموتور . المضخة



يمكنك أيضًا الحصول على دليل المستخدم في نسخة فيديو من الرابط التالي  
[www.guidelg.com/dishwasher](http://www.guidelg.com/dishwasher)