

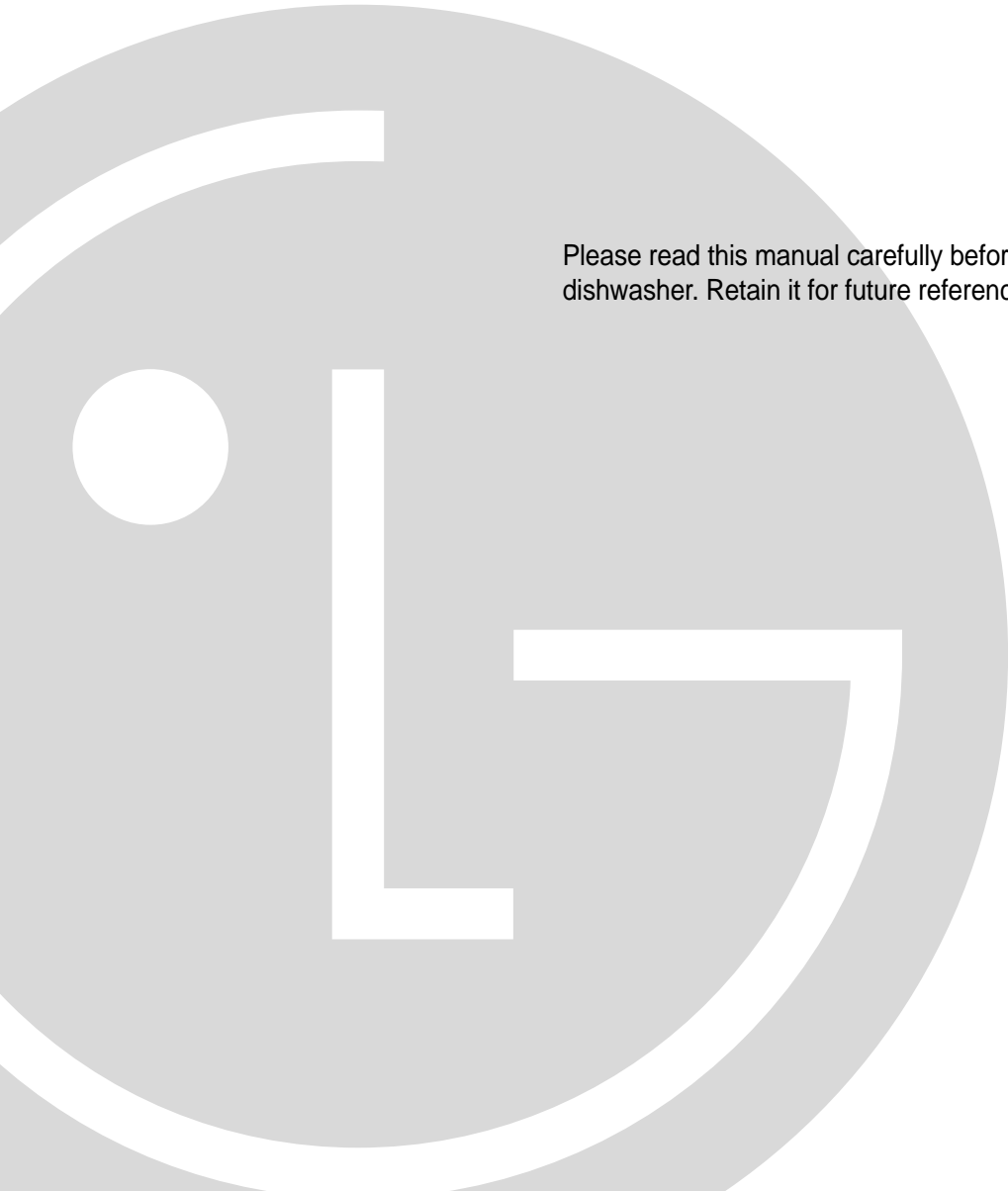


# **DISHWASHER**

## **OWNER'S MANUAL**

**MODEL : LD-2263W(S,M,L,T)H  
LD-2263W(S,M,L,T)HB  
LD-2263W(S,M,L,T)HU**

Please read this manual carefully before operating your dishwasher. Retain it for future reference.





# CONTENTS

---

## *Dishwasher*

SAFETY AND CAUTION	3
INSTALLATION INSTRUCTIONS	5
PARTS NAME	9
FUNCTION OF CONTROL BUTTON	10
HOW TO USE AND OPERATE	12
OPERATING SEQUENCE	19
PROGRAM	20
USER MAINTENANCE INSTRUCTIONS	21
TROUBLE SHOOTING GUIDE	22
SPECIFICATION	



# SAFETY AND CAUTION

## IMPORTANT SAFETY INSTRUCTIONS

**⚠ WARNING** - When using your dishwasher, follow basic precautions, including the following:

- Please read this manual carefully before using the dishwasher for the first time.
- This manual contains very important notes regarding the installation, use and maintenance of your dishwasher.
- The manufacturer can not be responsible for problems caused by ignoring these safety and caution instructions.
- This dishwasher is designed for normal household use.
- Do not use the dishwasher for industrial and commercial use, or other purpose.
- The appliance is not intended for use by young children or infirm persons without supervision.

### During installation

- Electrical connection must be in accordance with the rating label.
- Electrical safety is only guaranteed when the earth system of your house is in accordance with the related local regulations. (Do not use an extension cable or cord.)
- If the hot water exceeds 65°C, adjust the water heater setting. If the hot water temperature can not be maintained below 65°C, the dishwasher must be connected to cold water.
- If power supply cord is damaged, it must only be replaced by the manufacturer or its service agent or a similar qualified person in order to avoid a hazard.
- This appliance must be positioned so that the plug is accessible.
- The appliance is to be connected to the water mains using new hose-sets and that old hose-sets should not be reused.

### During use

- Only suitable household utensils should be placed in the dishwasher.  
(Please avoid utensils; that are non-heartresistant, metal decorated, etc.)
- Do not use any kinds of solvent in your dishwasher. They may cause an explosion or fire.
- Do not spray water on the appliance.  
It may cause the failure of electric parts or electric shock.
- Do not push down or sit on the inner door when the door opened. It may cause the deformation or failure of your dishwasher.
- Do not use the detergent for hand washing. The detergent for dishwasher should be used for normal operation.
- This appliance is fitted with a safety function that automatically stops the operation of the dishwasher when it is exposed to heavy disturbance on its mains.
- Dishwasher detergents are strongly alkaline. They can be extremely dangerous if swallowed. Avoid contact with skin and eyes and keep children away from the dishwasher when the door is open. Check that the detergent receptacle is empty after completion of the wash cycle.

### Child Safety

- Controls may be locked using “Child Lock” mode to prevent from starting dishwasher accidentally.
- Keep children away from detergents and rinse-aids.
- Do not allow children to operate the dishwasher.
- Young children should be supervised to ensure that they do not play with the appliance.



# SAFETY AND CAUTION

## **CAUTION** concerning the Power Cord

Most appliances recommend they be placed upon a dedicated circuit; that is, a single outlet circuit which powers only that appliance and has no additional outlets or branch circuits. Check the specification page of this owner's manual to be certain.

Do not overload wall outlets. Overloaded wall outlets, loose or damaged wall outlets, extension cords, frayed power cords, or damaged or cracked wire insulation are dangerous. Any of these conditions could result in electric shock or fire. Periodically examine the cord of your appliance, and if its appearance indicates damage or deterioration, unplug it, discontinue use of the appliance, and have the cord replaced with an exact replacement part by an authorized servicer.

Protect the power cord from physical or mechanical abuse, such as being twisted, kinked, pinched, closed in a door, or walked upon. Pay particular attention to plugs, wall outlets, and the point where the cord exits the appliance.

## **CAUTION** The instructions shall state the substance of the following :

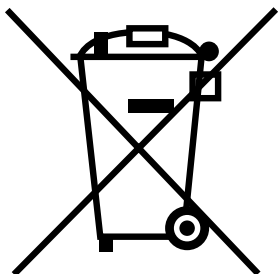
This appliance is not intended for use by persons (including children) with reduced physical, sensory or mental capabilities, or lack of experience and knowledge, unless they have been given supervision or instruction concerning use of the appliance by a person responsible for their safety. Children should be supervised to ensure that they do not play with the appliance.

## **SAVE THESE INSTRUCTIONS**

### **GROUNDING INSTRUCTIONS**

This appliance must be grounded. In the event of a malfunction or breakdown, grounding will reduce the risk of electric shock by providing a path of least resistance for electric current. This appliance is equipped with a cord having an equipment-grounding conductor and a grounding plug. The plug must be plugged into an appropriate outlet that is installed and grounded in accordance with all local codes and ordinances.

**WARNING** - Improper connection of the equipment-grounding conductor can result in a risk of electric shock. Check with a qualified electrician or service representative if you are in doubt whether the appliance is properly grounded. Do not modify the plug provided with the appliance; if it will not fit the outlet have a proper outlet installed by a qualified electrician.



### **Disposal of your old appliance**

1. When this crossed-out wheeled bin symbol is attached to a product it means the product is covered by the European Directive 2002/96/EC.
2. All electrical and electronic products should be disposed of separately from the municipal waste stream via designated collection facilities appointed by the government or the local authorities.
3. The correct disposal of your old appliance will help prevent potential negative consequences for the environment and human health.
4. For more detailed information about disposal of your old appliance, please contact your city office, waste disposal service or the shop where you purchased the product.



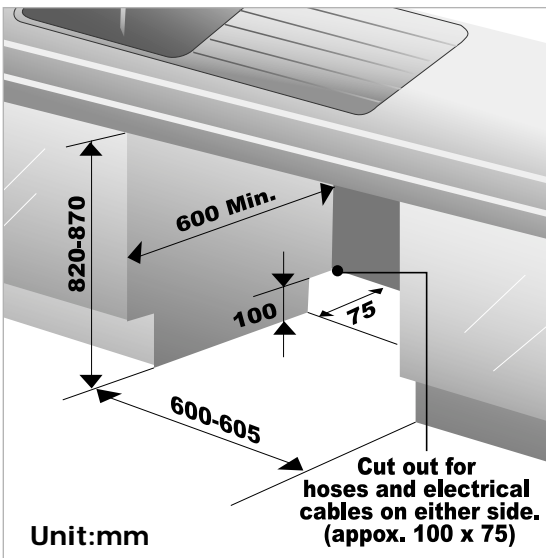
# INSTALLATION INSTRUCTIONS

## ⚠ WARNING

Any electrical work required to install this appliance should be carried out by a qualified electrician or competent person. Any plumbing work required to install this appliance should be carried out by a qualified plumber or competent person.

## Step 1 : PREPARE CUPBOARD OPENING

- 1 This dishwasher is designed to fit to the size shown as below.
- 2 Select a location as close to sink as possible for easy connections to water and drain lines.
- 3 The dishwasher should not be installed more than 3 meters from sink for proper drainage.
- 4 If dishwasher is to be installed in a corner, a minimum 5cm of space is required between the washer and an adjacent cabinet or a wall.



If bare chipboard is adjacent to or above the dishwasher, it should be sealed with a waterproofing paint or sealant to prevent swelling due to steam.

## Step 2 : PREPARE ELECTRICAL WIRING

## ⚠ CAUTION

For personal safety, remove house fuse or open circuit breaker before installation. Do not use an extension cord or adapter plug with this appliance. Electrical and grounding connections must comply with the national electrical code/provincial and municipal code and/or other local codes.

- 1 This appliance must be supplied with correct rating voltage and hertz as shown on instruction manual, and connected to an individual, properly grounded branch circuit, protected by minimum 15 amp circuit breaker or time delay fuse. Wiring must be 2 wires with ground.
- 2 The power plug must be in a accessible location adjacent to and not behind the dishwasher and within 1.2 meters of the dishwasher side.(See page 7 Fig.A)
- 3 The power plug must be correctly earthed, if in doubt, have it checked by a qualified Electrician. No other appliance should be connected to the same plug outlet by a double adapter or similar plug.

## Dangerous voltage

**5036**

To indicate hazards arising from dangerous voltages.



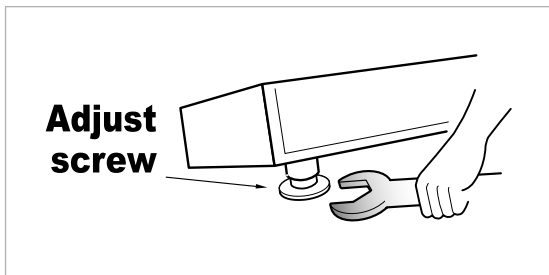
*Note – In case of application in a warning sign the rules according to ISO 3864 shall be adhered to.*



# INSTALLATION INSTRUCTIONS

## Step 3 : PREPARE DISHWASHER FOR INSTALLATION

- 1 Lay the dishwasher on its back.
- 2 Adjust the legs to the needed height of cabinet as shown in below figure.

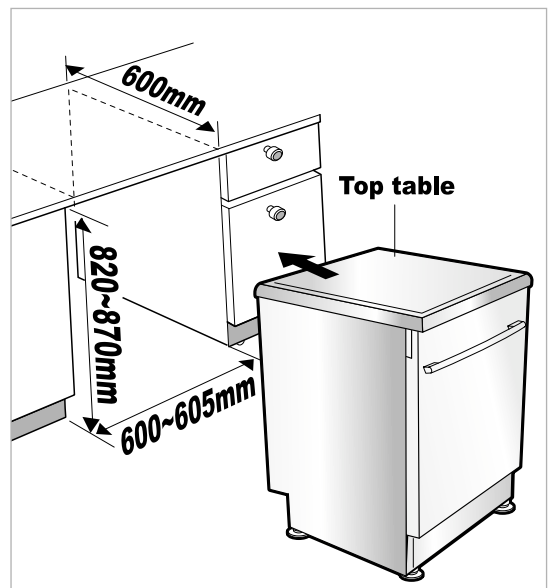


## Step 4 : INSTALL THE DISHWASHER IN CUPBOARD

- 1 Before sliding the dishwasher into the cupboard opening, all necessary final height adjustment and balancing adjustment should be done using the spanner.
- 2 Slide the dishwasher into the cabinet opening carefully. Make sure that the drain hose inside the cabinet is not kinked or stretched.

### ⚠ CAUTION

If the height of cupboard is below 850mm, you should remove the top table by unscrewing the 2 screws. (Two of rear)





# INSTALLATION INSTRUCTIONS

## Step 5 : DRAIN LINE CONNECTION

- 1 If the end of drain hose does not fit to the drain line, use a piece of rubber connector(not supplied) that must be resistant to heat and detergent and may be obtained from a plumbing shop.
- 2 There are 2 typical connections as shown in Figure A, B.

The “S” trap spigot must be drilled out cleanly and free of obstruction to its maximum internal diameter, if used for drainage.

To prevent siphoning, one of the following instruction methods must be followed:

- When the drain hose is connected to a sink “s” trap or waste disposal unit, the hose must be looped up to the underside of the bench top and secured.

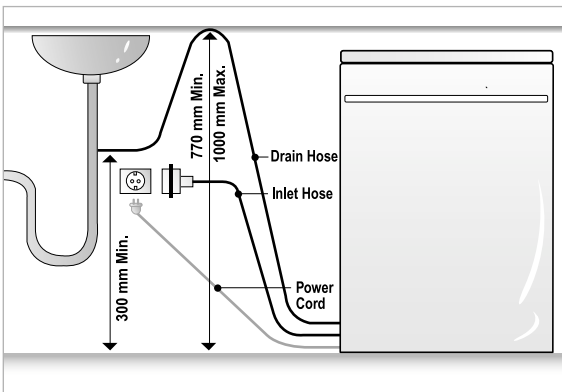


Fig. A

- When the drain hose is connected to a separate stand pipe, it is essential that an air tight connection is made. Refer to Fig.B

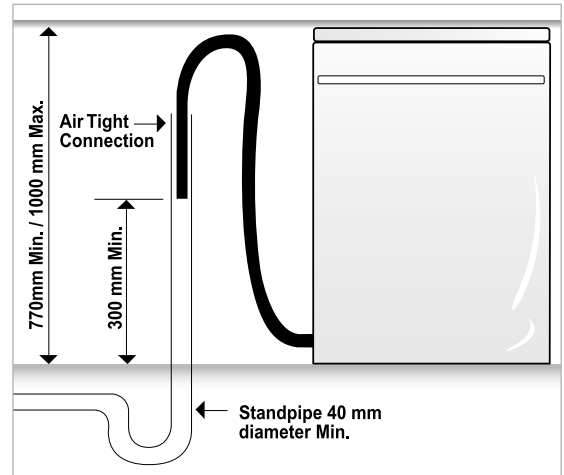
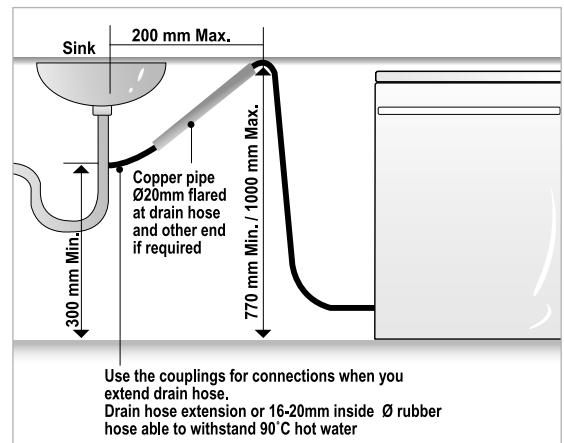


Fig. B : Drainage connection - stand pipe.

### Drain Hose Extension

Extend Drain Hose as shown below.



### ⚠ CAUTION

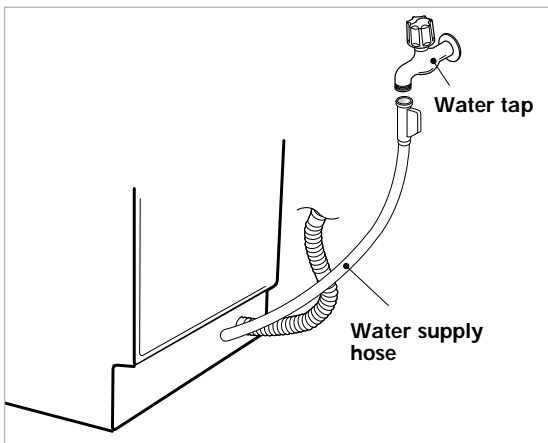
When you connect or extend Drain Hose, make sure that drain hose is not kinked. (Bends should have 40 mm radius.)



# INSTALLATION INSTRUCTIONS

## Step 6 : WATER SUPPLY CONNECTION

- 1 Connect the water supply hose to the water tap as shown in figure.(Some models consist of an inlet valve and hose.) This dishwasher may be fed with either hot or cold water. If the water can not be maintained below 65°C, the dishwasher must be connected to cold water.
- 2 When connecting, the sealing tape or sealing compound should be used to avoid water leaks.  
Make sure that the line is not kinked or sharply bent.



## Step 7 : FINAL CHECK AND ASSEMBLING

- 1 Securely hand tighten supply hose to water supply.  
Plug power supply cord into an earthed the power plug and switch on.
- 2 After installing the product, operate the dishwasher through one cycle (Quick cycle is recommended) without loading the dishes.  
Through this, you can check for water leak and operating conditions.  
When you operate the product the first, the noise may be occurred.  
In that case, turn off power switch and restart the dishwasher.

## Step 8 : HOW TO LEVEL THE PRODUCT

After installing the product, if you feel some sticky or hear a frictional sound between the side portion of door and tub when you open or close the door, you have to adjust the level of product.

### Case 1. In case the door is slanted to the right

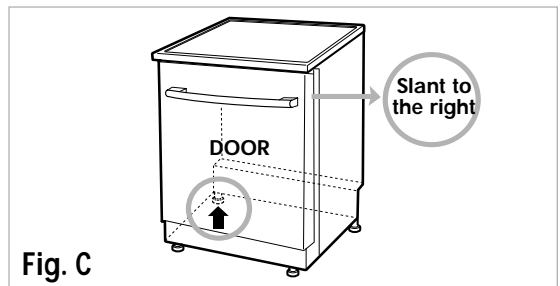


Fig. C

- If the door is slanted to the right as shown in figure C, repeat the procedure shown as below until the door is operated normally.
  - 1) Unscrew(counter-clockwise) the left leg of back side and high the level.
  - 2) Check the opening of door if there still remains sticky or friction sound.
- When the product is correctly leveled, there do not remain slant, stickiness or a friction sound.

### Case 2. In case the door is slanted to the left

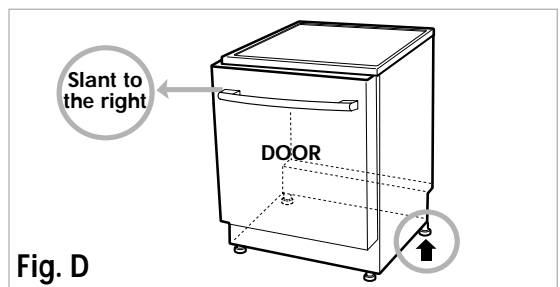


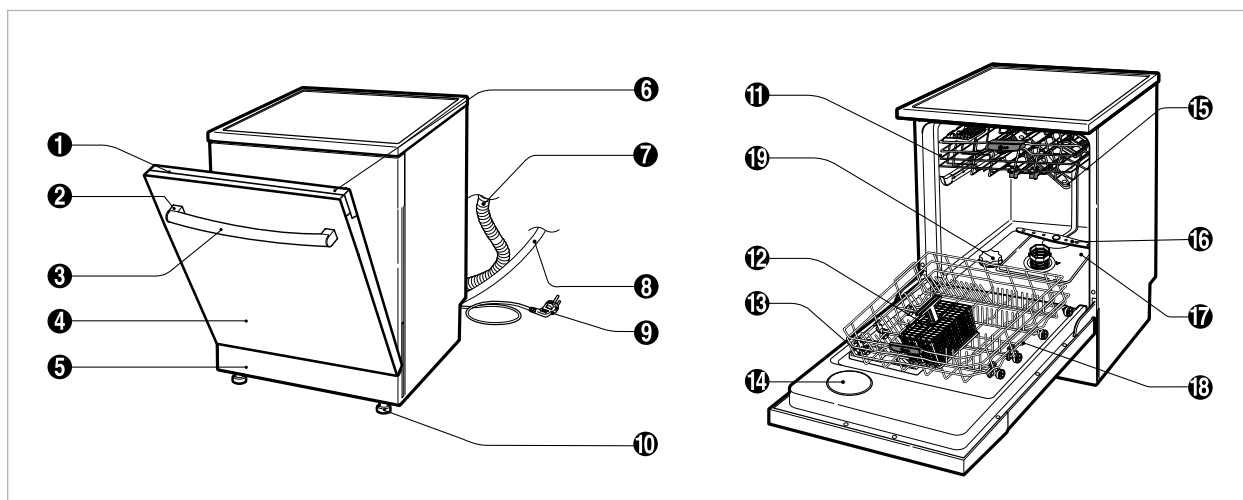
Fig. D

- If the door is slanted to the left as shown in figure D, repeat the procedure shown as below until the door is operated normally.
  - 1) Unscrew(counter-clockwise) the right leg of back side and high the level.
  - 2) Check the opening of door if there still remains sticky or friction sound.
- When the product is correctly leveled, there do not remain slant, stickiness or a friction sound.





# PARTS NAME



1. Control Panel

2. Handle deco

3. Door Handle

4. Front Cover

5. Lower Cover

6. Power Switch

7. Drain hose

8. Inlet Valve ASM

9. Power Cord

10. Adjust Leg

11. Upper Rack

12. Cutlery Rack

13. Detergent & Rinse Aid Dispenser

14. Vapor Vent Cover

15. Upper Spray Arm

16. Lower Spray Arm

17. Filter ASM

18. Lower Rack

19. Salt Container Cap

## Accessories

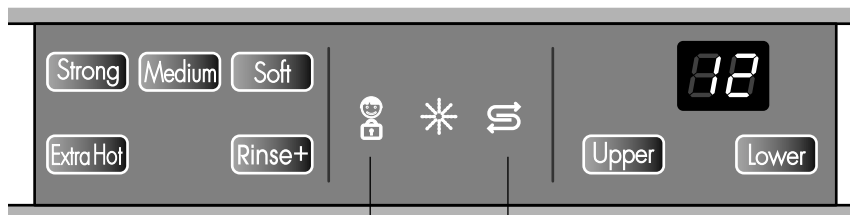


**Funnel**




※ The appearance and specifications may be varied without notice according to localities.

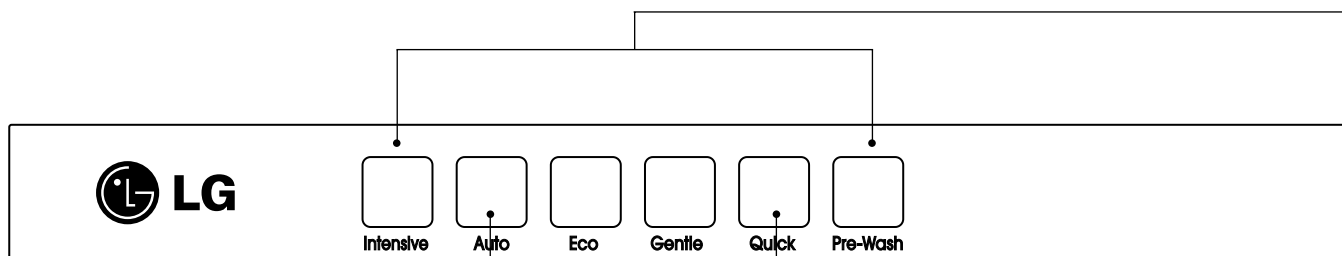


# FUNCTION OF CONTROL BUTTON



## INDICATOR

-  : Child lock
-  : Refill with Rinse aid
-  : Refill with special salt.



## CHILD LOCK

- Used to lock or unlock the control buttons to prevent all the setting from being changed by a child.
- For locking / unlocking, press **Auto** and **Quick** button simultaneously.

## EXTRA HOT / RINSE+

- With each press, 77°C extra hot, Rinse+, 77°C extra hot & Rinse+ is repeated.

## TIME LEFT

- Before starting, the display window shows the running time of the selected program.
- After starting, the display window shows the remaining time.
- If you select "Auto" program, the "F" is displayed, it means that the sensor is sensing the status of the dishwasher. When the optimum program is selected by sensor, the remaining time is displayed.
- If the course time is over 100 minutes, the "2H" is displayed.
- If the dishwasher has a trouble, the trouble type is displayed.

"DE" : Drainage trouble

"FE" : Problem of overfilling water

"IE" : Water inlet trouble

"EI" : Water leakage trouble

"HE" : Heater trouble

If this error letters are displayed, please refer to the trouble shooting guide page 22 and follow the guide.

## PROGRAM

- When you want to select program, press each button.

## SPRAY INTENSITY

- With each press, the level of water jet is changed to “Strong”, “Medium”, and “Soft”.

## TIME DELAY

- If you want to delay the start of selected program, press this button before start.
- Pressing this button will increase time by 1 hour.
- The delay start time can be adjusted from 1 hour to 19 hours.

Spray

Rinse

Strong

Medium

Soft

ExtraHot

Rinse+



Upper

00

Lower

Time Delay

Half Load

## HALF LOAD

- In case of small load, use upper or lower rack only to save energy.
- With each press, can select upper or lower rack only.
- In case you don't select this button, the machine always works vario washing, which operate upper and lower spray arm alternately.

## BEEP ON / OFF

- The dishwasher must be switched on.
- The beep on/off function can be set by pressing the **Half Load** and **Power** button simultaneously for seconds, then a “on” will appear in the time display.
- To change the setting, press the **Half Load** button.
- Then press the **Rinse** button to activate setting.
- The beep on/off function is automatically canceled when power failure occur.

## POWER

- For operating, press this button first for power on.
- After operating, this button automatically switches off for safety and energy saving.
- In case of irregular surge disturbances to the machine, the power may be automatically turned off for safety.



# HOW TO USE AND OPERATE

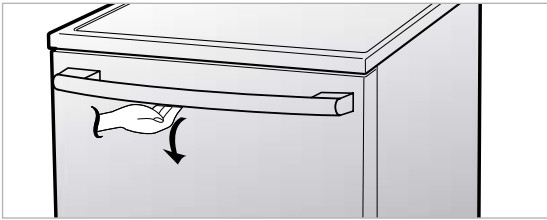
## 1. Loading your Dishwasher

For the best washing performance, it is important that the dishwasher is loaded according to instructions.

Before loading items into the dishwasher, you must scrape off large particles in particular non soluble items such as bones, toothpicks, pips, etc.

When loading the dishwasher, observe the following general guidelines:

- Position crockery such that water will contact all surfaces.
- Deep based items should be placed at an angle to help water run off and dry properly.
- Items with burnt on scraps should be soaked prior to loading in the dishwasher.



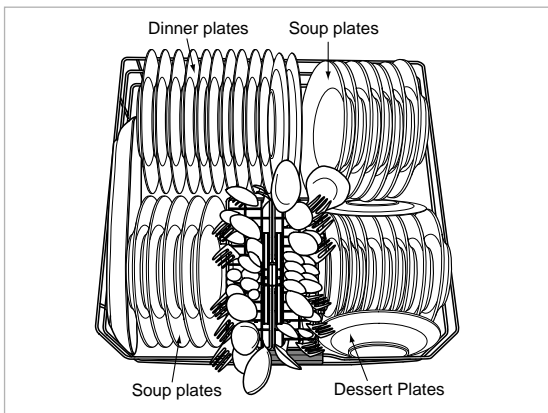
## 2. Loading the Lower Rack

The lower basket is best loaded with dinner plates, soup bowls, dishes, pots, pans, lids and even the grill tray.

Plates should be positioned upright and facing the center of the rack.

Pots, pans and large dishes must be turned upside down.

**Take care not to obstruct the rotation of the spray arms.**



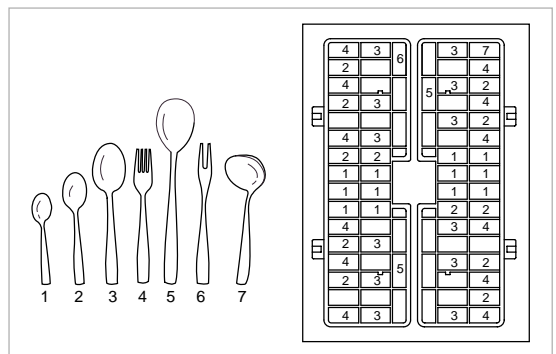
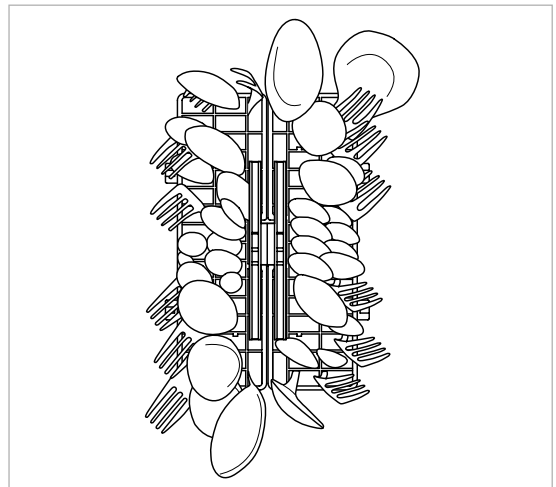
Be careful large items not to prevent the detergent dispenser lid from opening

## 3. Using the Cutlery Basket

Cutlery should be mixed within each section of the cutlery basket to prevent nesting of similar items. Place the cutlery in the cover with the handles down. The cover can be hinged and clipped away from the basket if you choose not to use them.

For the knives, place at separate rack for knives located at upper rack.

**Take care when loading and unloading sharp items.**



### ⚠ WARNING

Knives and other utensils with sharp points must be loaded in the basket with their points down or placed in a horizontal position.



# HOW TO USE AND OPERATE

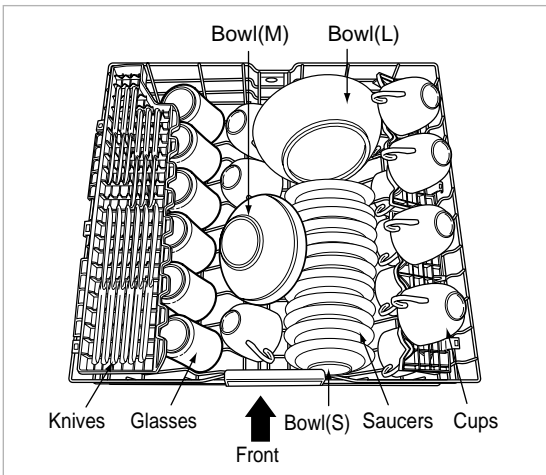
## 4. Loading the Upper Rack

The upper rack is best loaded with more delicate items, small plates, long cutlery, cups, glasses and dishwasher safe plastic items. Plates should be positioned upwards with the plate bottom facing the front of the rack.

Cups, glasses and bowls must be positioned upside down.

Extra cups or cooking utensils can be laid on the fold down cup racks which may also provide support for long stem glasses.

Take care not to obstruct the rotation of the spray arm under the upper rack.



## 5. Adjusting the Upper Rack

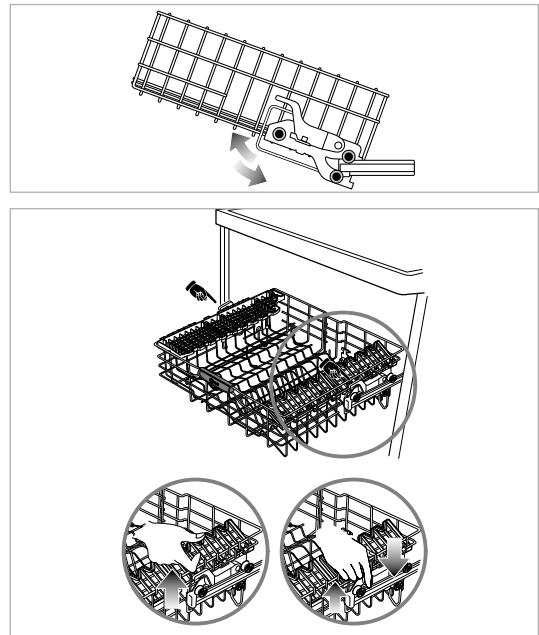
Your upper rack can be raised or lowered to cater for different sized crockery. Before adjusting, ensure that the rack is empty.

You can change the position of the upper rack by lifting the rack upward, into the upper position, or by pulling on the two levers on either side of the rack to move it down to its lower position.

We recommend that where possible the upper rack remains level.

And when you pull the rack upward, hold the middle location of the upper rack (☞ marked position)

**After adjusting the rack levels, check that the spray arm is free to rotate.**



## Non Dishwasher Safe Items

The combination of high water temperatures and dishwasher detergent may damage particular items, therefore we do not recommend using the dishwasher to wash the following:

- Copper or anodized aluminum
- Hand painted silver or gold leaf crockery
- Wood or bone handled utensils
- Iron or non rust proof utensils
- Plastic items which are not dishwasher safe.

### ⚠ WARNING

Before adjusting, ensure the rack is empty of all crockery. Otherwise crockery may be damaged or you may be injured.



# HOW TO USE AND OPERATE

## 6. Adding Detergent Dispenser

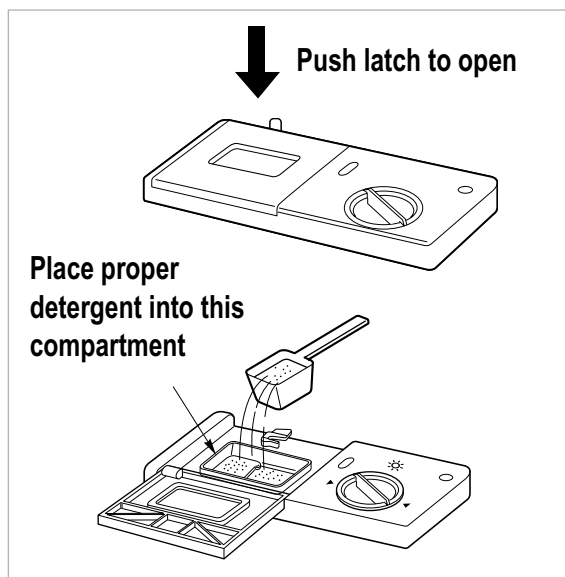
- Detergent must be put into the detergent chamber before starting every program except the Pre-Wash.
- Please follow the manufacturer's instructions printed on the manual when determining the correct dosage.
- If your dishes are only moderately dirty, you may be able to use less detergent than recommended.
- Chambers hold 15g and 25g.
- The amount of detergent depends on the program. Refer to the guide table.

PROGRAM	AMOUNT OF DETERGENT
Intensive	25g
Auto	20g
Eco	15g
Gentle	10g
Quick	10g
Pre-Wash	No detergent

- After the detergent is supplied, the chamber lid should be closed.
- The detergent is dispensed automatically during the operation.
- The chamber lid remains open after operation.

### Detergent Information

Use only the detergent intended for household dishwashers. (Ordinary hand-washing detergent should not be used, because the foam can interfere with proper operation.)



### ⚠ WARNING

The detergent used is a special Dishwasher detergent and like all household chemicals it should be treated as harmful and kept out of reach of children. After completion of the wash program, the detergent compartment should be checked and any remaining detergent removed.

### ⚠ ATTENTION

#### Using combined detergent products (ex.3 in 1)

Some products integrated rinse aid work best specific programs only. You will obtain optimum rinsing and drying results by using conventional and separate salt and rinse aid. Products that replace regeneration salt can only be used within a specific water hardness range. Please contact the detergent manufacturer if the drying performance is very poor or you find the white film, when you use the combined detergent products. We do not warrant the complaints that are directly related to the use of these products.



# HOW TO USE AND OPERATE

## 7. Adding Rinse Aid Dispenser

### ■ For filling

To fill the Rinse Aid chamber, rotate the round cap counter clockwise and remove. Fill the container to the maximum level with a good quality Rinse Aid, then replace and lock the cap.

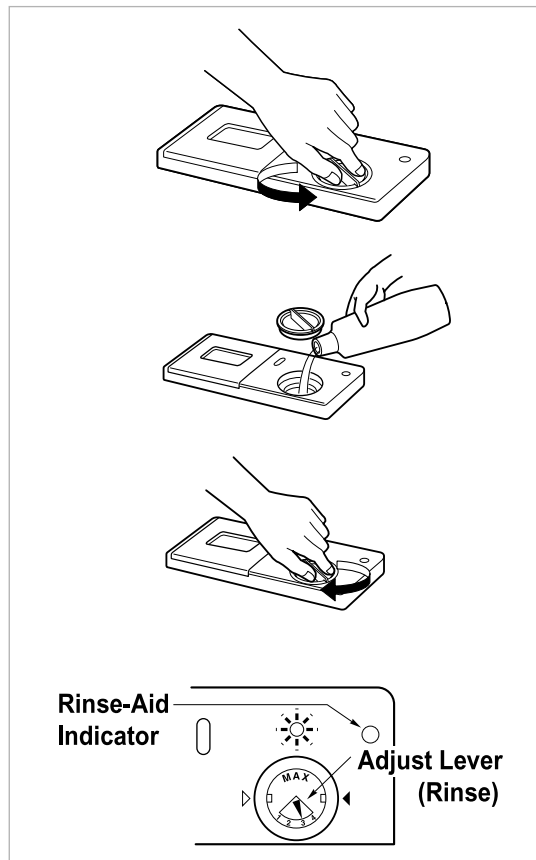
The Rinse Aid is automatically dispensed during the final rinse cycle.

The dosage setting is factory set to suit most installations. If, after washing, you notice cloudy spots, streaks or water marks on your glassware, it may be necessary increase the setting. To do so, remove the cap and rotate the indicator arrow to a higher setting then replace the cap. If the glasses are smeared or there is foam present on the bottom of the glass or the bottom of the machine. Select a lower setting.

### ■ For refilling

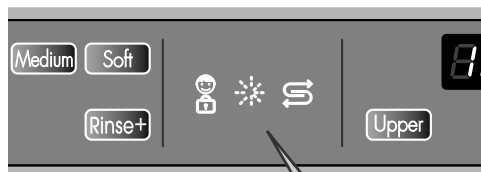
Depending on the dosage setting and the number of washes, the chamber may need only to be topped up once per month approximately. The rinse aid level can be checked by two methods.

- By the indicator window on the dispenser when the dishwasher door is fully open.
  - **Black indicates sufficient Rinse Aid**
  - **Clear indicates Rinse Aid required**
- By the light on the control panel when the dishwasher is working on.



## Rinse Aid Information

Rinse Aid is necessary in order to get spot and streak free dishes as well as improved drying. Using the correct amount will improve wash performance. However, using too much can produce excess foam leading to possible water leaks.



When the lamp (☀) is lighted on, it means the rinse is almost exhausted. Then, refill the Rinse.



# HOW TO USE AND OPERATE

## 8. Salt Filling

This model has a water softener to soften hard water.

So you should read these notes carefully for correct operation.

In order to provide satisfactory rinsing results, the dishwasher requires soft water, i.e., containing little or no lime, otherwise water stains will be left behind on the dishes and interior containers.

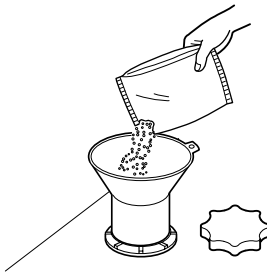
If the tap water exceeds a certain level of hardness, it must be softened, i.e., decalcified, so that it can be used in the dishwasher.

This is achieved by adding a special salt to the water softener inside the dishwasher.

The water softener, that is the required amount of salt, is set up according to how hard the tap water is.

### ■ For First filling

- Check the water hardness of your area. (Your water supplier will be able to inform you on the hardness and hardness range of the water in your area.)
- Set the water hardness according to the setting method of the water softener.
- Remove Lower rack and unscrew the cap of salt container.
- Fill the salt in the salt container before using your dishwasher for the first time. Use a kind of funnel for easy and clean filling. The salt container capacity is about 1.9 kg. (Use coarse salt or regenerating salt intended for dishwasher.)
- After filling, wipe off any spilled salt to seal the cap properly.
- Screw the cap tightly to prevent the suds penetration that may cause the water softening troubles.



°dH	°fH	°Clarke	mmol/l	
0-3	0-6	0-4	0-6	H0
4-6	7-11	5-8	0,7-1,1	H1
7-9	12-16	9-11	1,2-1,6	H2
10-12	17-21	12-15	1,7-2,1	H3
13-16	22-29	16-20	2,2-2,9	H4
17-21	30-37	21-26	3,0-3,7	H5
22-30	38-54	27-38	3,8-5,4	H6
31-50	55-89	39-62	5,5-8,9	H7

### ■ Setting up the water softening system

Adjust the water softener to the setting given in the table that corresponds to the hardness of the water in the area where you live. The water softener can be adjusted in 8 steps.

The dishwasher is programmed at the factory for a water hardness level of “H4”.

The water hardness level which has been programmed into the machine can be checked and altered by using the buttons on the control panel.

1. The dishwasher must be switched off.
2. Press **Rinse** and **Power** button simultaneously and keep them pressed.  
A “H ” and 1 figure will appear in the time display.
3. To change the setting: Press the **Rinse** button.

Every time the **Rinse** button is selected, the figure is changed one by one. The display is changed between “H0” and “H7”.

4. Once the hardness setting is correctly adjusted, press the **Half Load** button. The hardness setting is then saved.



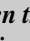


# HOW TO USE AND OPERATE

## ■ For refilling

When the salt is exhausted, the salt refill lamp is lighted on automatically during operation. Then the salt should be refilled after finished the cycle. But it is recommended the salt refill should always be done (as mentioned previous page) before starting next operation to thin and drain away any excess salt solution immediately.



*When the lamp (  ) is lighted on, it means the salt is almost exhausted. Then, refill the Salt.*

### Note

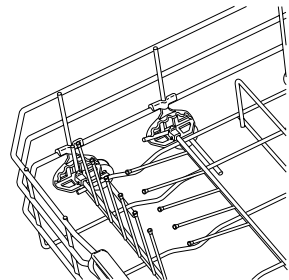
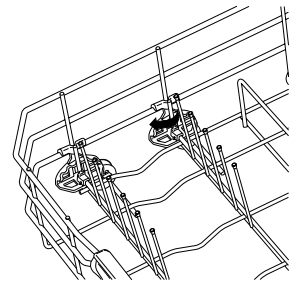
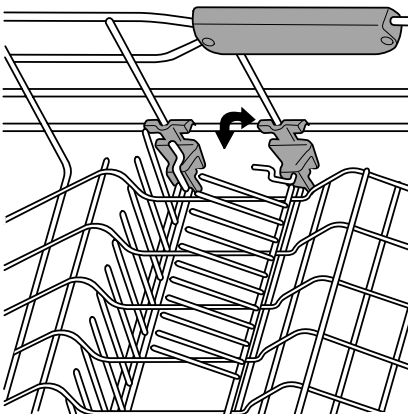
- After filling with salt, it may take a little while before the indicating lamp goes out.
- When the control is set to "HD", it is not necessary to fill up with salt as none will be consumed while the dishwasher is operating. If the control is set between "H1" and "H7", then salt must be added to the dispenser.

### WARNING

Do not pour detergent into the container for special salt. This would destroy the water softener.

## 9. Fold down dividers

- Fold-down dividers at the lower and the upper rack can be lowered to improve stacking of pots and pans.

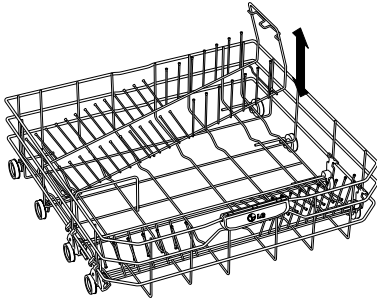




# HOW TO USE AND OPERATE

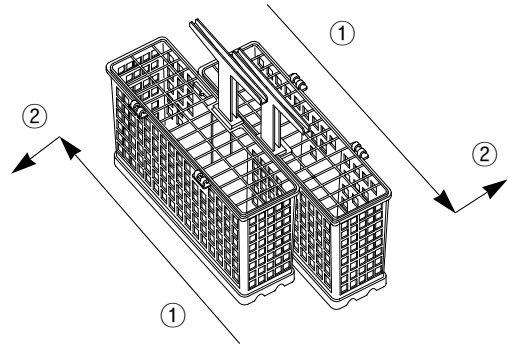
## 10. Removable Rack

- A removable rack at the lower rack is detachable for loading pots and pans.



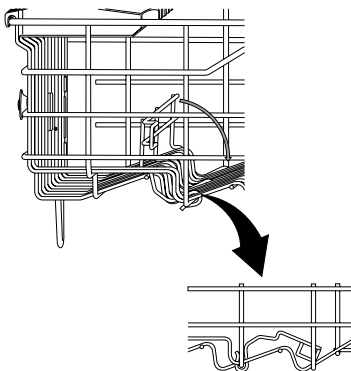
## 12. Separable basket

- Slide two baskets in opposite directions, then pull them apart.



## 11. Glass supporter

- A glass supporter can be folded down to arrange glasses and cups easily on the upper rack.



## 13. Drying

- To assist drying, we recommend that the door be fully opened after the cycle.

## 14. Energy Test(EN50242)

- Appliance loaded in accordance with standard specifications.
  - Example of loaded dishwasher : p.12~13
  - Capacity : 12 place settings
  - Comparability course : Eco
  - Rinse Aid setting : 3
  - Reference cleaner : 6g of detergent onto the inside surface of the door and fill 24g into the detergent dispenser.
  - Height-adjustable Rack-U must be inserted into the uppermost position.



# OPERATING SEQUENCE

## ● **Open the door and Press the “power” button**

When you press the “power” button, the state of default program being set will be displayed.

## ● **Check that there is rinse aid and salt**

The corresponding indicator lights will illuminate if refilling is necessary.

## ● **Check the filters**

Ensure they are clean and properly positioned (See “User Maintenance Instructions”).

## ● **Load the dishes**

Remove any scraps of food.  
Pull the lower rack out and arrange the dishes and cutlery in it.  
Pull the upper rack out and arrange the cups, glasses, etc. in it.

### **▲ CAUTION**

Do not load the items in upper rack with the lower rack is pulled out and loaded.

## ● **Ensure that the spray arms can rotate freely**

## ● **Measure out detergent**

Add the required amount of detergent into the dispenser. Close the detergent dispenser lid.

## ● **Setting and starting the program**

Push the course button to select the program.  
If necessary, select the option function corresponding to the desired program.

The indicator lights of the program and all the phases the program consists of will come on.

Before starting, the display window shows the running time of the selected program. To start, close the door.

Select if necessary the washing on only one rack by pressing the half load button. **Remember to load all dishes into the selected rack.**

The time in the display window will start to decrease from minute to minute. If the door is opened during the run of the program a safety device ensures that the machine stops.

Once the door is closed the program will start from the point where it was interrupted.

## ● **At the end of the washing program**

After operating, buzz sound informs you that the program has ended and the dishwasher automatically switches off for safety and energy saving.

### **▲ CAUTION**

Empty the lower rack first and then the upper one; this will avoid water dripping from the upper rack onto the dishes in the lower one.

### **▲ WARNING**

In general it is not advisable to open the door while the machine is working; If the door is opened however, a safety device ensures that the machine stops. Care must be taken if the door is opened during the hot phase or immediately after a program has finished, as steam may escape.

### **▲ CAUTION**

That the door should not be left in the open position since this could present a tripping hazard.



# PROGRAM

Program	WASH		RINSE				DRY
	Pre Wash	Main Wash	Rinse 1	Rinse 2	Rinse 3	Heating Rinse	
Intensive	50°C	70°C				70°C	
Auto	<i>The program sequence is optimized and adapted in accordance with how dirty the dishes are.</i>						
Eco		45°C				65°C	
Gentle		40°C				70°C	
Quick		70°C				70°C	
Pre-Wash							

## ● Intensive Wash

This program is for very heavily soiled loads including pots, pans and casserole dishes which may have dry food residue.

## ● Auto Wash

During the Auto program, the degree of soiling in the dishes is determined by the amount of clouding of the water. According the degree of soiling, the program automatically adjust the washing time, temperature, level of water jet, the number of rinse. As a result, the energy and water consumption is kept as low as possible. The “F” on display means that the sensor is sensing the status of the dishwasher.

## ● Eco Wash

This program is for light soiled everyday loads.

## ● Gentle Wash

This program is for washing delicate items like glasses.

## ● Quick Wash

This program is for that quick wash of lightly soiled recently used dishes and cutlery.

## ● Pre-Wash

Can use this program for only removing soil before washing dishes by hand.

*According to the turbidity of the water, the drain course may be deleted after pre-wash on Intensive, Auto and Gentle program.*

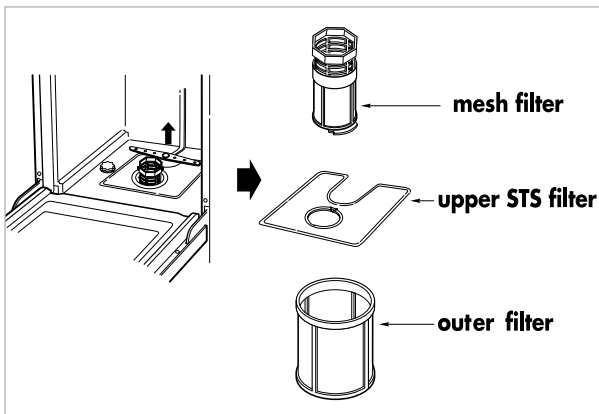


# USER MAINTENANCE INSTRUCTIONS

To prevent trouble and poor operating, it is important to check and care for the filters and spray arms at intervals.

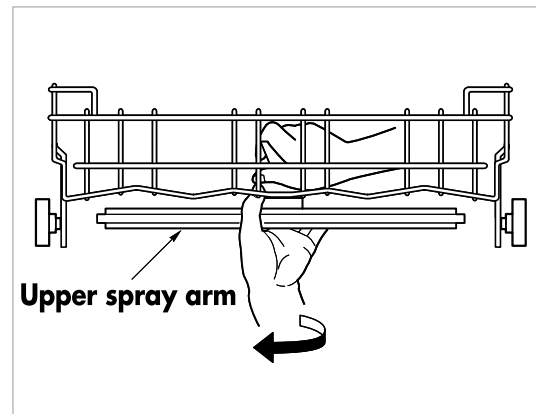
## ● Filters

- Remove the lower rack first.
- Turn the mesh filter counterclockwise off.
- Take out the mesh filter, upper STS filter and outer filter.
- Clean them if necessary.
- Replace them in the reverse order.



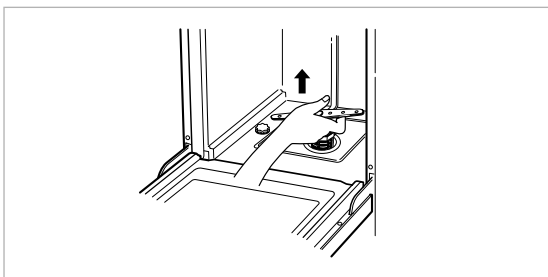
## ● Upper Spray Arm

- Pull the upper rack forwards.
- Check that the water jet holes are not blocked by food particles.
- When necessary to clean, remove the arm by unscrewing the nut.
- Clean the spray arm and replace it in the reverse order.



## ● Lower Spray Arm

- Check that the water jet holes are not blocked by food particles.
- When necessary to clean, remove the arm by pulling up.
- Clean the spray arm and replace it pulling down.





# TROUBLE SHOOTING GUIDE

- If a problem occurs check below to see whether this can be solved.
- In the unlikely event that the problem cannot be rectified, please contact a service engineer.

## Problem

## Possible Causes

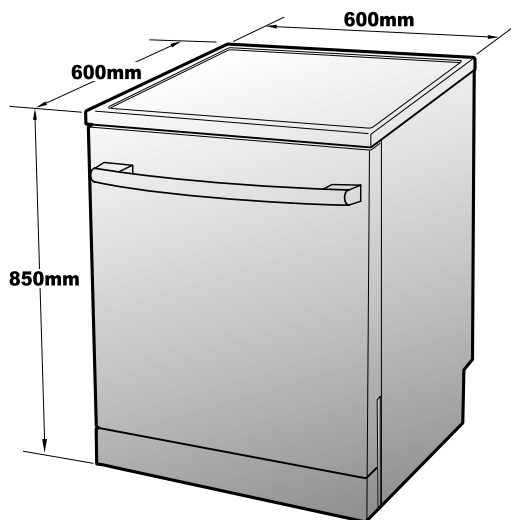
The lamps do not come on when the power switch on.	<ul style="list-style-type: none"><li>• Plug is not properly inserted in the socket.</li><li>• Fuse blown or circuit breaker tripped.</li><li>• The electricity of the house was cut off.</li></ul>
The machine does not start.	<ul style="list-style-type: none"><li>• Door is not fully closed.</li></ul>
Water is not pumped away. (The display show “UE” code.)	<ul style="list-style-type: none"><li>• The drain hose is kinked.</li><li>• The filter is clogged. (Clean the filter.)</li></ul>
The display shows “FE” code. (Automatically Drain Pump operated.)	<ul style="list-style-type: none"><li>• Excessive water is supplied than normal water level.</li><li>• The inlet valve is troubled.</li></ul>
The display shows “IE” code.	<ul style="list-style-type: none"><li>• Water is not supplied. (Water tap is not opened.)</li></ul>
The display shows “E I” code.	<ul style="list-style-type: none"><li>• Water leakage in Hose connections.</li><li>• Water is leaked by damages.</li></ul>
The display shows “HE” code.	<ul style="list-style-type: none"><li>• The circuit of Heater is troubled.</li></ul>
The spray arms does not rotate smoothly.	<ul style="list-style-type: none"><li>• The mounting of spray arms is blocked by food particles. (Clean the holes of the spray arm)</li></ul>
White deposits are left on the dish washer after washing.	<ul style="list-style-type: none"><li>• The amount of detergent or rinse-aid set incorrectly.</li><li>• Salt is exhausted in the salt container.</li><li>• The salt container cap is not securely screwed on.</li></ul>
Streaks are left on glassware.	<ul style="list-style-type: none"><li>• Too little Rinse-aid dispensed.</li></ul>
Dry results are not satisfactory.	<ul style="list-style-type: none"><li>• Too little Rinse-aid dispensed.</li></ul>
Washing results are not satisfactory.	<ul style="list-style-type: none"><li>• Incorrect amount of detergent.</li><li>• Utensils incorrectly arranged or overloaded.</li><li>• Filters are clogged.</li><li>• Water jet holes of spray arms blocked.</li><li>• Spray arms’ rotation obstructed by utensils.</li><li>• Unsuitable program selected.</li></ul>



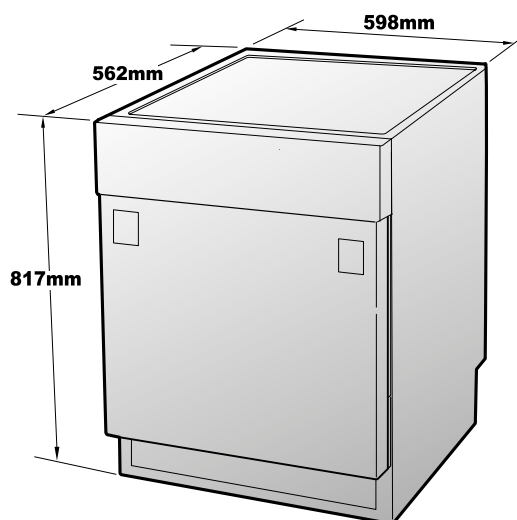
# MEMO

---

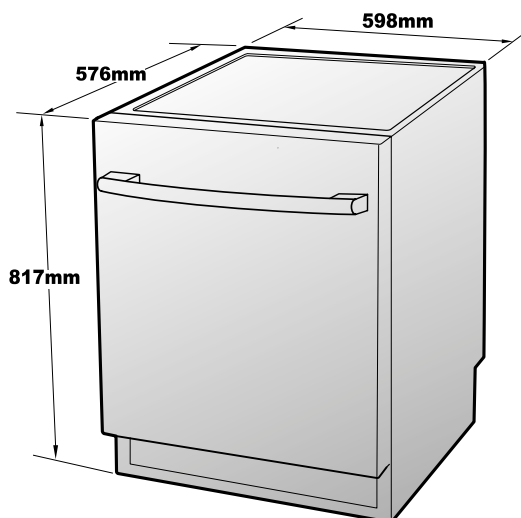
**LD-2263W(S,M,L,T)H**



**LD-2263W(S,M,L,T)HB**



**LD-2263W(S,M,L,T)HU**



Capacity	12 Place settings
Weight	See rating label
Power Supply	See rating label
Power Consumption	See rating label
Water Feed Pressure	50 ~ 800 kPa