



OWNER'S MANUAL

Portable CD Cassette Recorder

Please read this manual carefully before operating your set and retain it for future reference.

MODEL
LPC54 (LPC54)

P/NO : MFL61543982



Safety Precaution



CAUTION: TO REDUCE THE RISK OF ELECTRIC SHOCK DO NOT REMOVE COVER (OR BACK) NO USER-SERVICEABLE PARTS INSIDE REFER SERVICING TO QUALIFIED SERVICE PERSONNEL.



This lightning flash with arrowhead symbol within an equilateral triangle is intended to alert the user to the presence of uninsulated dangerous voltage within the product's enclosure that may be of sufficient magnitude to constitute a risk of electric shock to persons.



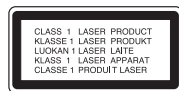
The exclamation point within an equilateral triangle is intended to alert the user to the presence of important operating and maintenance (servicing) instructions in the literature accompanying the product.

WARNING: TO PREVENT FIRE OR ELECTRIC SHOCK HAZARD, DO NOT EXPOSE THIS PRODUCT TO RAIN OR MOISTURE.

WARNING: Do not install this equipment in a confined space such as a book case or similar unit.

CAUTION: Do not block any ventilation openings. Install in accordance with the manufacturer's instructions.

Slots and openings in the cabinet are provided for ventilation and to ensure reliable operation of the product and to protect it from over heating. The openings be never be blocked by placing the product on a bed, sofa, rug or other similar surface. This product not be placed in a built-in installation such as a bookcase or rack unless proper ventilation is provided or the manufacturer's instruction has been adhered to.



CAUTION: This product employs a Laser System.

To ensure proper use of this product, please read this owner's manual carefully and retain it for future reference. Shall the unit require maintenance, contact an authorized service center. Use of controls, adjustments or the performance of procedures other than those specified herein may result in hazardous radiation exposure. To prevent direct exposure to laser beam, do not try to open the enclosure. Visible laser radiation when open. DO NOT STARE INTO BEAM.

CAUTION: The apparatus shall not be exposed to water (dripping or splashing) and no objects filled with liquids, such as vases, shall be placed on the apparatus.

CAUTION concerning the Power Cord

Most appliances recommend they be placed upon a dedicated circuit;

That is, a single outlet circuit which powers only that appliance and has no additional outlets or branch circuits. Check the specification page of this owner's manual to be certain. Do not overload wall outlets. Overloaded wall outlets, loose or damaged wall outlets, extension cords, frayed power cords, or damaged or cracked wire insulation are dangerous. Any of these conditions could result in electric shock or fire. Periodically examine the cord of your appliance, and if its appearance indicates damage or deterioration, unplug it, discontinue use of the appliance, and have the cord replaced with an exact replacement part by an authorized service. Protect the power cord from physical or mechanical abuse, such as being twisted, kinked, pinched, closed in a door, or walked upon. Pay particular attention to plugs, wall outlets, and the point where the cord exits the appliance.

To disconnect power from the mains, pull out the mains cord plug. When installing the product, ensure that the plug is easily accessible.

The marking of the apparatus is located on the bottom of the apparatus.

This device is equipped with a portable battery or accumulator.

Safe way to remove the battery or the battery from the equipment: Remove the old battery or battery pack, follow the steps in reverse order than the assembly. To prevent contamination of the environment and bring on possible threat to human and animal health, the old battery or the battery put it in the appropriate container at designated collection points. Do not dispose of batteries or battery together with other waste. It is recommended that you use local, free reimbursement systems batteries and accumulators.

The battery shall not be exposed to excessive heat such as sunshine, fire or the like.



Disposal of your old appliance

1. When this crossed-out wheeled bin symbol is attached to a product it means the product is covered by the European Directive 2002/96/EC.
2. All electrical and electronic products should be disposed of separately from the municipal waste stream via designated collection facilities appointed by the government or the local authorities.
3. The correct disposal of your old appliance will help prevent potential negative consequences for the environment and human health.
4. For more detailed information about disposal of your old appliance, please contact your city office, waste disposal service or the shop where you purchased the product.



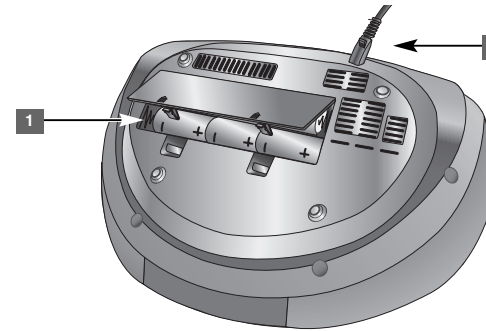
LG Electronics hereby declares that this/these product(s) is/are in compliance with the essential requirements and other relevant provisions of Directive 2004/108/EC, 2006/95/EC, and 2009/125/EC. European representative:

LG Electronics Service Europe B.V.
Veluwezoom 15, 1327 AE Almere, The Netherlands
(Tel: +31-(0)36-547-8888)

CONTENTS

	PAGE
Power Source	3
Main Unit	4
Listening to the Radio	4
Listening to CDs	5
Using a USB device	6
Listening to music from your portable player	6
Listening to cassette tapes	7
Recording to TAPE	7
Recording to USB	8
Setting the Clock	9
Troubleshooting	10
Specifications	10

Power Source



1 Battery Installation

1. Press and open the battery cover.
2. Put six "C" (R14) batteries (not supplied) into the compartment making sure the ⊕ and ⊖ are correctly positioned.
3. Replace the battery cover.

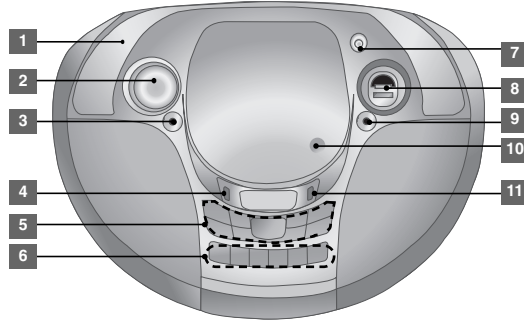
2 AC Power Cord Connection

1. Connect one end of the AC power cord (included) to the AC IN socket located at the backside of your unit.
2. Plug the other end into the wall outlet.

Note:

- Unplug the AC power cord from the wall outlet if you do not to use for an extended period of time.
- To avoid damage from possible battery leakage, remove the batteries if you do not plan to use the unit for an extended period of time.
- When the batteries are weak, replace all the batteries with new ones.
- While the AC power cord connect to the wall outlet, the batteries are not worn out.
- Batteries (battery pack or batteries installed) shall not be exposed to excessive heat such as sunshine, fire or the like.

Main Unit



- 1** Handle
- 2** **VOLUME** Control
- 3** Headphone jack
A warning that excessive sound pressure from earphones and headphones can cause hearing loss.
- 4** **CLOCK**
For setting the clock and checking the time.
- 5** **Power on/off**
 - **CLEAR/ PRESET** - button
 - **EQ/**
Sound quality adjustment
You can choose sound impressions.**XDSS-**
Extreme Dynamic Sound System Reinforce the treble, bass and surround effect.

- ST/MONO-** button
- **BACKWARD**
 - ▶▶▶▶ FORWARD
 - SKIP/ SEARCH / TUNING / TIME + button
- **PRESET +** button
- **FUNCTION** button
[CD, USB, TAPE, PORTABLE, FM, AM]
- **Recording (Recording to USB)/ Pausing**
- **REPEAT- SET- PROG-** button
- 6** Use when playing a cassette tape.
 - **Pausing**
 - **Stop/ Eject**
 - **Searching**
 - **Playing**
 - **Recording**
- 7** **ANTENNA**
- 8** **USB** Connector

9 PORT.IN

The player can be used to play the music from many types of portable player.

10 ▲ PUSH OPEN

You can use it when inserting or removing CDs.

11 TIMER

With the TIMER function you can turn CD, USB and TUNER on or off at a desired time.

Listening to the Radio

	ON UNIT
1. Select FM or AM (optional)	FUNCTION
2. Select the radio station	TUNING -/+
3. To 'save' a radio station: A preset number will show in the display.	PROG -
4. Select the preset number	PRESET -/+
5. To confirm press: Up to 50 radio stations can be saved. (FM: 30, AM: 20)	PROG -
6. To select a 'saved' station	PRESET -/+

Listening to the radio - More you can do

Looking for radio stations automatically

- 1 Press and hold **TUNING - / +** on the unit for more than 0.5 second.
- 2 The tuner will scan automatically and stop when it finds a radio station.

Deleting all the saved stations

- 1 Press and hold **CLEAR** on the unit for two seconds. "CLEAR" shows.
- 2 Press **CLEAR** on the unit to erase all the saved stations.

Improving poor FM reception

Press and hold **ST/MONO-** on the unit. This will change the tuner from stereo to mono and usually improve the reception.

Listening to CDs

Audio CD and MP3/ WMA CD can be played back in this unit.

	ON UNIT
1. Select the CD function	FUNCTION
2. Open the CD door	▲ PUSH OPEN
3. Insert the CD : Label facing up.	-
4. Close the CD door	-
5. Start the CD playing	▶ /
6. Stop a CD playing	■

Listening to CDs - More you can do

Pausing or restarting a CD

- 1 Press **▶ /||** on the unit during playback.
- 2 Press this button again to resume play.

Searching for a section within a track

Press and hold **◀◀ / ▶▶ ▶▶▶▶** during playback and release it at the point you want to listen to.

Skipping to another track (file)

Press **◀◀ ◀◀ / ▶▶ ▶▶▶▶** on the unit.

Listening to your tracks (files) repeatedly or randomly

- 1 Press **REPEAT** repeatedly.
Tracks will be played back repeatedly or randomly.
- 2 To return to normal playback, press **REPEAT** repeatedly to select.

Note:

Depending on the conditions of the recording equipment or the CD-R/RW disc itself, some MULTI SESSION, Mixed disc cannot be played on the unit.

Creating your own playlist

You can play up to 40 tracks on a CD in order.

- 1 Insert a CD and wait for it to be read.
- 2 Press and hold **PROG-** in stop status.
- 3 Press **◀◀ ◀◀ / ▶▶ ▶▶▶▶** to select a track.
- 4 Press **PROG-** again to save and select a next track.
Repeat the step 3 - 4.
- 5 Press **▶ /||** to play the programmed music files.
- 6 To clear your selection, press **■** twice.

Sound quality adjustment

You can choose sound impressions. Press **EQ/XDSS** repeatedly, the display changes in the following order,
NORMAL → ROCK → POP → CLASSIC → JAZZ → XDSS ...

About MP3/ WMA

MP3/ WMA Disc compatibility with this unit is limited as follows:

- Sampling Frequency: 32 to 48 kHz (MP3), 32 to 48 kHz (WMA)
- Bit rate : 32 to 320 kbps (MP3), 40 to 320 kbps (WMA)
- CD-R physical format should be "ISO 9 660/ JOLIET"
- If you record MP3/WMA files using the software which cannot create a FILE SYSTEM, for example "Direct-CD" etc., it is impossible to playback MP3 files.
We recommend that you use "Easy-CD Creator", which creates an ISO 9 660 file system.
- Do not use special letters such as "/ : * ? " < >" etc.
- On CD or USB, 99 folders and 999 track, function are support

Using a USB device

You can enjoy media files saved on a USB device by connecting the USB device to the USB port of the unit. If you want to operate other function, see the "Listening to CDs" section.

	ON UNIT
1. Connect the USB device to the USB port of the unit.	-
2. Select the USB function.	FUNCTION
3. Select a file you want to play.	⏪ ⏩ / ⏮ ⏭
4. Start your media playing.	▶ / ⏸
5. Stop a media playing	■
6. Before disconnecting the portable USB device, change to any other function.	FUNCTION

Compatible USB Devices

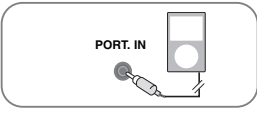
- MP3 Player : Flash type MP3 player.
- USB Flash Drive : Devices that support USB 2.0 or USB 1.1.
- The USB function may not be available depending on devices.
- Devices which require additional program installation when you have connected it to a computer, are not supported.

Look out for the following

- Do not extract the USB device in operation.
- For a large capacity USB, it may take longer than a few minute to be searched.
- To prevent data loss, back up all data.
- If you use a USB extension cable or USB hub, the USB device is not recognized.
- Using NTFS file system is not supported. (Only FAT(16/32) file system is supported.)
- This unit is not supported when the total number of files is 1 000 or more.
- External HDD, Locked devices or hard type USB devices are not supported.
- USB port of the unit can not be connected to PC. This unit can not be used as a storage device.

Listening to music from your portable player

The unit can be used to play the music from many types of portable player.

	ON UNIT
1. Connect the portable player to the PORT.IN connector of the unit.	-
	
2. Turn the power on.	⏻ / ⏹
3. Select the PORTABLE function.	FUNCTION
4. Turn on the portable player and start it playing.	-

Listening to cassette tapes

	ON UNIT
1. Select the TAPE function	FUNCTION
2. Open the tape door	■/▲
3. Insert the tape	-
4. Close the tape door	-
5. Start the tape playing	◀
6. Stop a tape playing Cassette deck will automatically stop at the end of the tape	■/▲

Listening to the cassette tapes - More you can do

Playing Fast backward or Forward

Press ◀◀/▶▶ on the unit during playback, or stop, press ◀ (or ■/▲) at a point you want.

Pausing or restart a tape

Press || on the unit during playback. Press this button again to resume play.

Recording to TAPE

You can record a various sound sources to TAPE.

	ON UNIT
1. Open the tape door.	■/▲
2. Insert a blank tape and close the door.	-
3. Select a mode in which you want to record.	FUNCTION
4. Play back a sound source first.	▶/
5. Press Recording starts.	◀ ●
6. To stop recording, press	■/▲

Synchronized Recording from CD to Tape

	ON UNIT
1. Open the tape door.	■/▲
2. Insert a blank tape and close the door.	-
3. Select the CD function (Audio CD only)	FUNCTION
4. Start the Recording: The synchronized recording is started automatically after about 7 seconds.	◀ ●
5. To stop recording, press	■/▲

Note:

On recording, press || to pause.

Recording to USB

You can record a various sound sources to USB.

	ON UNIT
1. Connect the USB device to the unit.	-
2. Select a mode in which you want to record. Play back a sound source first.	FUNCTION
3. Start the recording	● /
4. To stop recording, press	■

Recording to USB - More you can do

To set recording bit rate and speed

- 1 Press ● / || on the player for longer than 3 seconds.
- 2 Use ◀◀ ◀/▶▶ ▶▶ on the player to select the bit rate among 96/128/192/256 Kbps. You can set the quality of the recorded file.
- 3 Press ● / || again to select the recording speed.
- 4 Use ◀◀ ◀/▶▶ ▶▶ to select a desired recording speed.

X 1 SPEED

- You can listen to music while recording it.

X 2 SPEED

- You can just recording the music file.

- 5 Press ● / || to finish the setting.

NOTES :

On radio or portable mode, you cannot set the recording speed.

Recording Music file in disc source to USB

One track recording -

If the USB recording is started during playback of the CD, the one track/ file would be recording into the USB.

All tracks recording -

If the USB recording on the CD stop status, all tracks/ files would be recording.

Program list recording -

USB records after creating your own program if you want to record the track you want. (Audio CD, MP3, WMA)

Pausing recording

During recording, press ● / || to pause recording.

Press ● / || to continue recording. (Only Radio, Portable)

8

When you are recording, look out for the following

- When you stop recording, the file that has been recorded at that time will be stored.
- Do not remove the USB device or turn off the unit during USB recording. If not, an incomplete file may be made and not deleted on PC.
- If USB recording does not work, the message like "NO USB", "ERROR", "USB FULL" is displayed on the display window.
- Multi card reader device or External HDD can not be used for USB recording.
- A file is recorded by about 510 Mbyte when you record for a long term.
- You may not record more than 999 files.
- **It'll be stored as follows.**

AUDIO CD	MP3/ WMA	The other sources
<pre> CD_REC ├── TRK_001 ├── TRK_002 ├── : ├── : └── : </pre>	<pre> FILE_REC ├── (File name) ├── (File name) ├── : ├── : └── : </pre>	<pre> EXT_REC ├── AUDIO_001 ├── AUDIO_002 ├── : ├── : └── : </pre>

The making of unauthorized copies of copy-protected material, including computer programs, files, broadcasts and sound recordings, may be an infringement of copyrights and constitute a criminal offense. This equipment should not be used for such purposes.

Be responsible
Respect copyrights

Setting the Clock

	ON UNIT
1. Turn the power on	
2. Press for at least 2 seconds	CLOCK
3. Choose from either: AM 12:00 (for an am and pm display) or 0:00 (for a 24 hour display).	
4. Confirm your selection	SET
5. Select the hours	
6. Press	SET
7. Select the minutes	
8. Press The clock setting is finished.	SET

Note:

- You have to turn off the unit to use the alarm function.
- If you disconnect the power cord or remove the batteries, the alarm function is not available.
- If you set the clock time, you can check the time by pressing **CLOCK** even when the player is turned off.
- If you set the clock time and alarm, you can check the alarm icon “” by pressing **CLOCK** even when the player is turned off.

Using your player as an alarm clock

- 1 Turn the power on.
- 2 Press and hold **TIMER** each function, EX) TUNER, CD.... flashes.
- 3 Press **SET** when the function you want to be woken by is showing.
 - If you choose “TUNER” you will be shown the stations you have saved as presets. Use on the unit to select the station you want, Then press **SET** on the unit.
- 4 Choose one of them by pressing **SET**.
- 5 Then you can set the time you want the alarm to go on.
 - Press to change the hours and minutes and **SET** to save.
- 6 “OFF TIME” will be displayed. Then, you can set the time you want the function to stop. Press to change the hours and minutes and press **SET** to save.
- 7 You will be shown the volume (VOL) you want to be woken by.
 - Use to change the volume and **SET** to save.
 - The clock icon “” shows that the alarm is set.
- 8 Press **TIMER** button 2times. You can check the setting status.

Troubleshooting

Symptom	Cause	Correction
POWER		
No power	The power cord is not plugged in.	Plug in the power cord.
	The batteries are not remaining.	Change the batteries with a new ones.
RADIO		
No sound	The function switch is not set to the Radio mode.	Set the switch to the Radio mode.
Some noise occurs.	There are electronic devices near the player.	Set the player far from the devices.
CD		
The unit does not start playback	An unplayable disc is inserted.	Insert a playable disc.
	The disc is placed upside down.	Place the disc with the playback side down.
	The disc is not placed within the guide.	Place the disc on the disc tray correctly inside the guide.
	The disc is dirty.	Clean the disc.
TAPE		
Unable to record	Record protect tabs are removed.	Cover holes on back edge of tape with tap.

Specifications

General	
Power supply	230 V ~ 50 Hz
Power consumption	20 W
Net Weight	2.75 kg
External dimensions (WxHxD)	(398.5 x 188 x 300) mm
Operating temperature	5 °C to 35 °C
Operating humidity	5 % to 85 %
Tuner	
FM Tuning Range	87.5 to 108.0 MHz or 87.50 to 108.00 MHz
AM Tuning Range (optional)	522 to 1620 kHz or 520 to 1710 kHz or 522 to 1710 kHz
Amplifier	
Output Power	2.5 W + 2.5 W
T.H.D	10 %
Frequency Response	120 Hz to 18 kHz
Signal-to-noise ratio	50 dB
CD	
Frequency response	100 Hz to 18 kHz
Signal-to-noise ratio	55 dB
Dynamic range	55 dB
Speakers	
Type	2 Way 2 Speaker
Impedance	3 Ω
Rated Input Power	3.0 W
Max. Input Power	6.0 W
Net Dimensions (WxHxD)	(99.5 x 37 x 45) mm
Net Weight (1EA)	135 g
USB	
Version	1.1
BUS Power supply	DC 5 V = 500 mA

Designs and specifications are subject to change without notice.

