



ENGLISH

## OWNER'S MANUAL

# Mini Hi-Fi System

Please read this manual carefully before operating your set and retain it for future reference.

### MODELS

MCD65 (MCD65, MCS65F)

MCD35 (MCD35, MCS35F)

# 1 Safety Information



**CAUTION:** TO REDUCE THE RISK OF ELECTRIC SHOCK DO NOT REMOVE COVER (OR BACK) NO USER-SERVICEABLE PARTS INSIDE REFER SERVICING TO QUALIFIED SERVICE PERSONNEL.



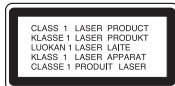
This lightning flash with arrowhead symbol within an equilateral triangle is intended to alert the user to the presence of uninsulated dangerous voltage within the product's enclosure that may be of sufficient magnitude to constitute a risk of electric shock to persons.



The exclamation point within an equilateral triangle is intended to alert the user to the presence of important operating and maintenance (servicing) instructions in the literature accompanying the product.

**WARNING:** TO PREVENT FIRE OR ELECTRIC SHOCK HAZARD, DO NOT EXPOSE THIS PRODUCT TO RAIN OR MOISTURE.

**WARNING:** Do not install this equipment in a confined space such as a book case or similar unit.



**CAUTION:** This product employs a Laser System. To ensure proper use of this product, please read this owner's manual carefully and retain it for future reference. Shall the unit require maintenance, contact an authorized service center.

Use of controls, adjustments or the performance of procedures other than those specified herein may result in hazardous radiation exposure.

To prevent direct exposure to laser beam, do not try to open the enclosure. Visible laser radiation when open. DO NOT STARE INTO BEAM.

**CAUTION:** The apparatus shall not be exposed to water (dripping or splashing) and no objects filled with liquids, such as vases, shall be placed on the apparatus.

### CAUTION concerning the Power Cord

Most appliances recommend they be placed upon a dedicated circuit;

That is, a single outlet circuit which powers only that appliance and has no additional outlets or branch circuits. Check the specification page of this owner's manual to be certain. Do not overload wall outlets. Overloaded wall outlets, loose or damaged wall outlets, extension cords, frayed power cords, or damaged or cracked wire insulation are dangerous. Any of these conditions could result in electric shock or fire. Periodically examine the cord of your appliance, and if its appearance indicates damage or deterioration, unplug it, discontinue use of the appliance, and have the cord replaced with an exact replacement part by an authorized service center. Protect the power cord from physical or mechanical abuse, such as being twisted, kinked, pinched, closed in a door, or walked upon. Pay particular attention to plugs, wall outlets, and the point where the cord exits the appliance. To disconnect power from the mains, pull out the mains cord plug. When installing the product, ensure that the plug is easily accessible.

**CAUTION:** Do not block any ventilation openings. Install in accordance with the manufacturer's instructions.

Slots and openings in the cabinet are provided for ventilation and to ensure reliable operation of the product and to protect it from over heating. The openings should be never be blocked by placing the product on a bed, sofa, rug or other similar surface. This product should not be placed in a built-in installation such as a bookcase or rack unless proper ventilation is provided or the manufacturer's instruction has been adhered to.

This device is equipped with a portable battery or accumulator.

**Safe way to remove the battery or the battery from the equipment:**

Remove the old battery pack, follow the steps in reverse order than the assembly. To prevent contamination of the environment and bring on possible threat to human and animal health, the old battery or the battery put in the appropriate container at designated collection points. Do not dispose of batteries or battery together with other waste. It is recommended that you use local, free reimbursement system batteries and accumulators. The battery shall not be exposed to excessive heat such as sunshine, fire or the like.

You have to set the disc format option to [Mastered] in order to make the discs compatible with the LG players when formatting rewritable discs. When setting the option to Live File System, you cannot use it on LG players.

(Mastered/ Live File System : Disc format system for Windows Vista)

**Disposal of your old appliance**



1. When this crossed-out wheeled bin symbol is attached to a product it means the product is covered by the European Directive 2002/96/EC.
2. All electrical and electronic products should be disposed of separately from the municipal waste stream via designated collection facilities appointed by the government or the local authorities.
3. The correct disposal of your old appliance will help prevent potential negative consequences for the environment and human health.
4. For more detailed information about disposal of your old appliance, please contact your city office, waste disposal service or the shop where you purchased the product.

# Contents

1

## 1 Safety Information

---

2

2 CAUTION

3

## 2 Preparation

---

4

- 6 Playable file Requirement
- 6 Accessories
- 7 Remote Control
- 8 Front panel
- 10 Rear panel

5

## 3 Installation

---

6

- 11 Connecting the speakers
- 11 Antenna Connection
- 12 Other Equipment Connection

7

## 4 Operation

---

- 13 Basic Operations
- 13 CD/ USB Operations
- 14 TAPE Operation
- 14 Other Operations
- 19 Radio Operations

## 5 Maintenance

---

- 20 Handling the Unit
- 20 Notes on Discs

## 6 Troubleshooting

---

- 21 Troubleshooting

## 7 Appendix

---

- 22 Specifications

1

2

3

4

5

6

7

# 2 Preparation

2

Preparation

## Playable file Requirement

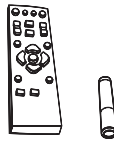
### MP3/ WMA music file requirement

MP3/ WMA file compatibility with this unit is limited as follows :

- Sampling frequency : within 32 to 48 kHz (MP3), within 32 to 48 kHz (WMA)
- Bit rate : within 32 to 320 kbps (MP3), 40 to 320 kbps (WMA)
- maximum files : Under 999
- File extensions : ".mp3"/".wma"
- CD-ROM file format : ISO 9660/ JOLIET
- We recommend that you use Easy-CD Creator, which creates an ISO 9660 file system.

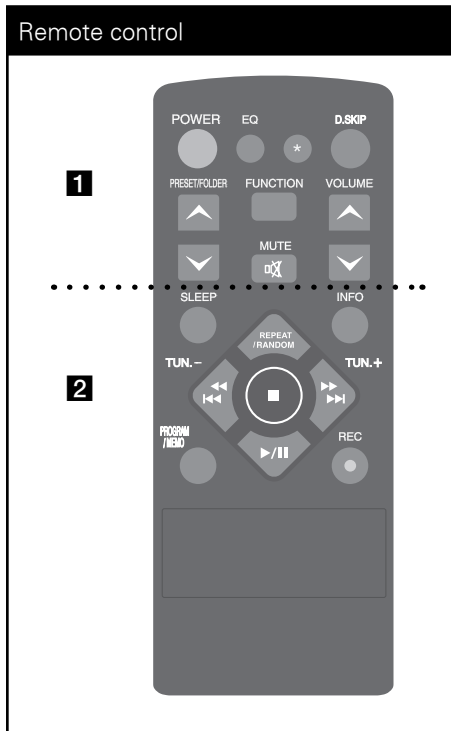
## Accessories

Please check and identify the supplied accessories.



Remote Control (1)/  
Battery (1)

# Remote Control



..... **1** .....

**POWER** : Switches the unit ON or OFF.

**EQ** : You can choose sound impressions.

**\*** : This button is not available

**D.SKIP** : Chooses a desired CD.

◆ **PRESET/FOLDER** : Searches for a folder of MP3/WMA files. When a CD/ USB containing MP3/WMA files in several folders is being played, press **PRESET/FOLDER** selects the folder you want to play. Choose a 'preset number' for a radio station.

**FUNCTION** : Selects the function and input source.

🔇 (**MUTE**) : Mutes the sound.

◆ **VOLUME** : Volume control.

..... **2** .....

**SLEEP** : Sets the System to turn off automatically at a specified time. (Dimmer : The display window will be darkened by half.)

**INFO** : Checks information about your music. MP3/WMA files often come with tags. The tag gives the Title, Artist, Album or Time information.

**REPEAT/RANDOM** : Selects a desired play mode.

**TUN. (-/+)** : Selects the radio station.

⏮ ⏪ / ⏩ ⏭ (SKIP/ SEARCH) :

- Searches for a section within a track.
- Skips Fast backward or Forward.

▶ / ⏸ : Starts or pauses playback.

■ : Stop.

**PROGRAM/MEMO** : For storing radio stations. If you have saved radio stations using **PROGRAM/MEMO**, you can scroll through them and select one.

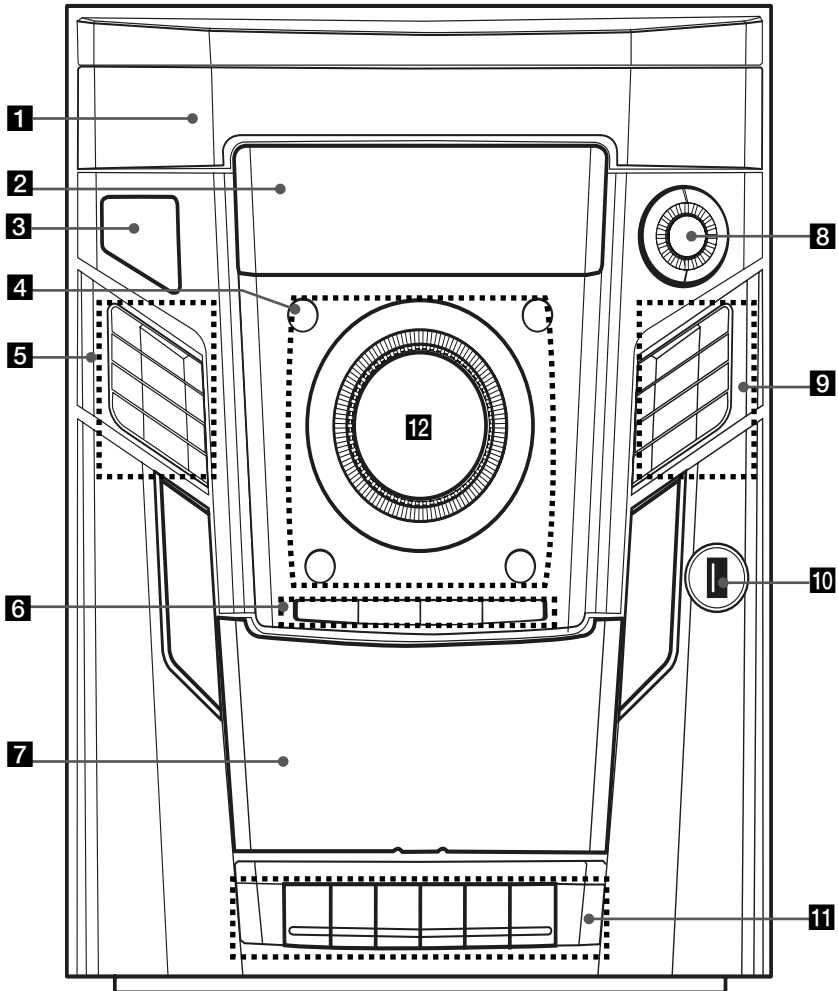
● (**REC**) : Recording.

## ! NOTE

This manual explains the operation based on remote control.

# Front panel

2  
Preparation





**1 Disc tray****2 Display window****3**  ( Power ON/ OFF )**4 DISC SKIP**

Chooses a desired CD.

**▲ OPEN/CLOSE  
USB**

Selects the USB function.

**■ STOP****(-)PRESET(+)/▶**

Selects preset numbers

CD play

**◀◀(-)TUNING(+)>>>>**

- Skips Fast backward or forward.
- Skips to the previous/ next track.
- Selects the radio station.

**5 CLOCK**

Sets clock and checks the time.

**TIMER**

Use your player as an alarm clock.

**ST./MONO**

Selects Mono/Stereo.

**CD II / SET**

Pauses or confirms the setting.

**6 TUNER**

Selects the TUNER function.

**CD**

Selects the CD function.

**AUX**

Selects the AUX function.

**TAPE**

Selects the TAPE function.

**7** Cassette door**8 R (USB REC.)**

Recording.

**9 BASS BLAST**

Reinforces the treble, bass and surround effect.

**EQ**

You can choose sound impressions.

**INFO**

Checks information about your music.

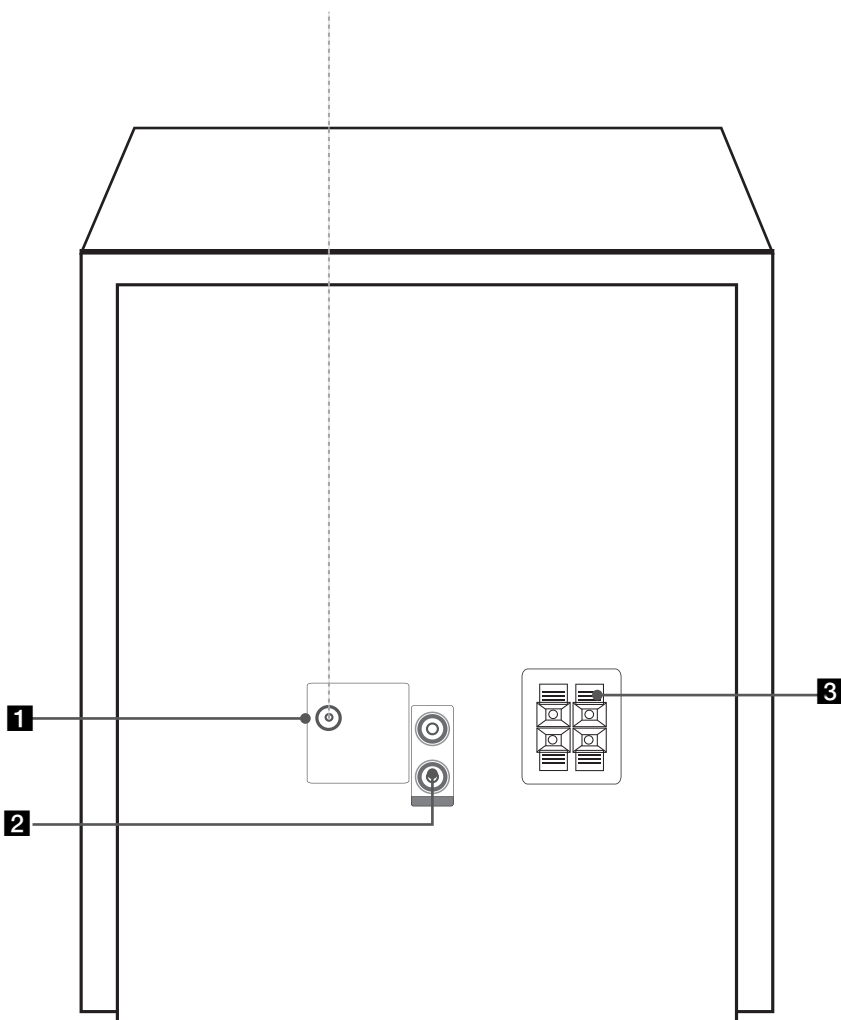
**DEMO**

Selects the DEMO function.

**10 USB Connector****11** Use when playing a cassette tape.**12** Volume knob  
Volume control.

## Rear panel

2  
Preparation



- 1** ANTENNA (FM)
- 2** AUX IN connector
- 3** SPEAKERS terminal

# 3

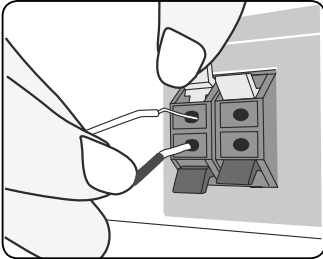
## Installation

### Connecting the speakers

#### Attaching the speakers to the unit

To connect the cable to the unit, press each plastic finger pad to open the connection terminals on the unit. Insert the wire and release the finger pad.

Connect the black end of each wire to the terminals marked - (minus) and the other end to the terminals marked + (plus).



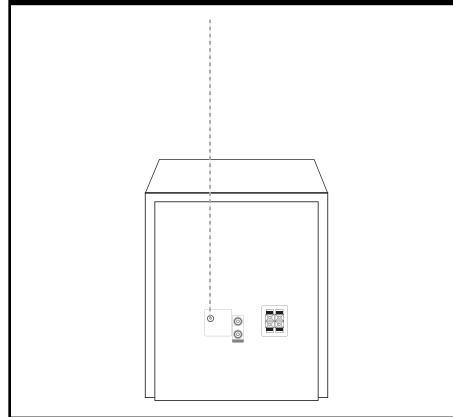
#### **!** CAUTION

The speakers contain magnet parts, so color irregularity may occur on the TV screen or PC monitor screen. Please use the speakers far away from either TV screen or PC monitor.

### Antenna Connection

Connect the supplied FM (F) antenna for listening to the radio.

#### Antenna Connection



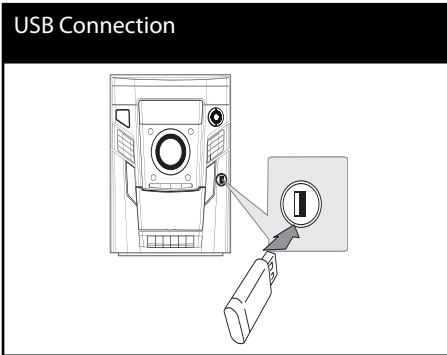
#### **!** NOTE

Be sure to fully extend the FM wire antenna.

## Other Equipment Connection

### USB Connection

Connect the USB port of USB Memory (or MP3 player, etc.) to the USB port on the front of the unit.



### Removing the USB Device from the unit

1. Choose a different function mode or press **STOP** (■) twice in a row.
2. Remove the USB device from the unit.

### Compatible USB Devices

- MP3 Player : Flash type MP3 player.
- USB Flash Drive : Devices that support USB 2.0 or USB 1.1.
- The USB function of this unit does not support some USB devices.

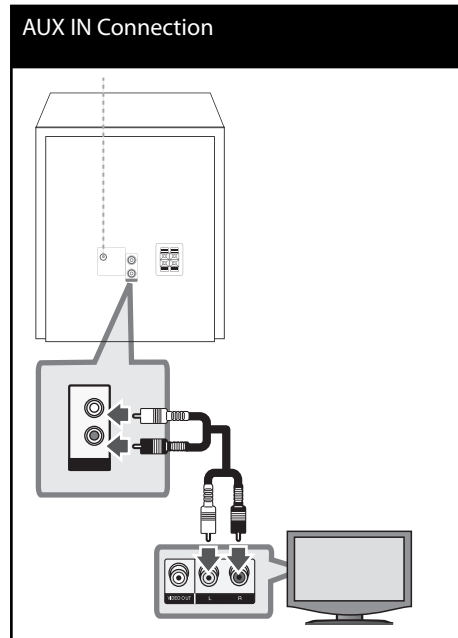
### USB device requirement

- Devices which require additional program installation connected to a computer, are not supported.
- Do not extract the USB device while in operation.
- For a large capacity USB, it may take longer than a few minute to be searched.
- To prevent data loss, back up all data.

- If you use a USB extension cable or USB hub, the USB device is not recognized.
- Using NTFS file system is not supported. (Only FAT(16/ 32) file system is supported.)
- This unit is not supported when the total number of files is 1 000 or more.
- External HDD, Card readers, Locked devices, or hard type usb devices are not supported.
- USB port of the unit cannot be connected to PC. The unit can not be used as a storage device.

### AUX IN Connection

Connect an Output of auxiliary device to the AUX IN put (L/R) Connector.



### NOTE

If your TV has only one output for audio (mono), connect it to the left (white) audio jack on the unit.

# 4 Operation

## Basic Operations

### CD/ USB Operations

1. Insert the disc by using the **▲ OPEN/CLOSE** or connect the USB device to the USB port.
2. Select the CD or USB function by pressing **FUNCTION**.
3. Select a file (or track) you want to play by pressing **◀◀ ◀◀** or **▶▶ ▶▶**.

To	Do this
Playing repeatedly or randomly	Press <b>REPEAT/RANDOM</b> repeatedly, the display changes in the following order, RPT 1 ->RPT DIR (Only MP3/WMA) -> RPT DISC ->RPT ALL ->RANDOM -> OFF.

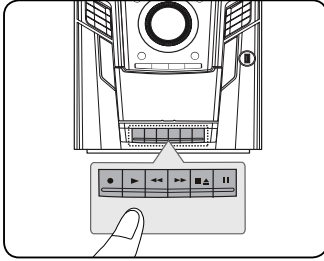
To	Do this
Stop	Press <b>■</b> .
Playback	Press <b>▶/  </b>
Pause	Press <b>▶/  </b>
Skipping to the next/ previous track/ file	During playback, press <b>◀◀ ◀◀</b> or <b>▶▶ ▶▶</b> to go to the next track/ file or to return to the beginning of the current track/ file. Press <b>◀◀ ◀◀</b> twice briefly to step back to the previous track/ file.
Searching for a section within a track	Press and hold <b>◀◀ ◀◀</b> or <b>▶▶ ▶▶</b> during playback and release it at the point you want to listen to.



## TAPE Operation

### Listening to cassette tapes

Cassette tapes can be played back in this unit.



1. Open the tape door by pressing **■ ▲**.
2. Insert the tape.
3. Close the tape door.
4. Select the TAPE function by pressing **TAPE** on the unit or **FUNCTION** on the remote control.

To	Do this
Stop	Press <b>■ ▲</b> .
Playback	Press <b>▶</b> .
Searching for a section within a track	After pressing <b>◀◀ / ▶▶</b> during playback, press <b>▶</b> at a point you want.

## Other Operations

### Programmed Playback

The program function enables you to store your favourite files from any disc or USB device.

A program can contain 20 tracks.

1. Insert a CD or USB and wait for it to be order.
2. Press **PROGRAM/MEMO** on the remote control in stop status.
3. Press **◀◀ ◀◀** or **▶▶ ▶▶** on the remote control to select a track.
4. Press **PROGRAM/MEMO** again to save and select a next track.
5. Press **▶/||** to play the programmed music files.
6. To clear your selection, press **■** twice.

### NOTE

The programs are also cleared when the disc or USB device is removed, the unit is switched to power off or the function is switched to others.

### Setting the Clock

1. Turn the power on.
2. Press **CLOCK** for at least 2 seconds.
3. Choose from either, by using **⏮ ⏪** or **⏩ ⏭**.  
- AM 12:00 (for an AM and PM display) or 0:00 (for a 24 hour display)
4. Press **SET** for confirm your selection.
5. Select the hours. by using **⏮ ⏪** or **⏩ ⏭**.
6. Press **SET**.
7. Select the minutes, by using **⏮ ⏪** or **⏩ ⏭**.
8. Press **SET**.

### Using your player as an alarm clock

1. Turn the power on.
2. Press and hold **TIMER**. Each functions flashes.
3. Press **SET** when the function you want to be woken by is showing.
4. "ON TIME" will be displayed. This is where you set the time you want the alarm to start. Use the **⏮ ⏪** or **⏩ ⏭** to change the hours and minutes and press **SET** to save.
5. The "OFF TIME" will be displayed. This is where you set the time you want the function to stop.

6. Use the **⏮ ⏪** or **⏩ ⏭** to change the hours and minutes and press **SET** to save.
7. You will be shown the volume (VOL) you want to be woken by. Use the **⏮ ⏪** or **⏩ ⏭** to change the volume and press **SET** to save. The alarm icon "🕒" shows that the alarm is set.
8. Press **TIMER** button 2times. You can check the setting status.



#### NOTE

- If you set the clock time, you can check the time by pressing **CLOCK** even when the player is turned off.
- If you set the clock time and alarm, you can check the alarm icon "🕒" by pressing **CLOCK** even when the player is turned off.
- If you set the clock time and alarm, you can check the alarm icon "🕒" and setting information by pressing **TIMER** even when the unit is turned off.
- Make sure to use the buttons - **CLOCK, TIMER** and **SET** on the unit.

### Sleep Timer Setting

Press **SLEEP** one or more times to select delay time between 10 and 180 minutes, after the unit turn off.

To cancel the sleep function, press **SLEEP** repeatedly until "SLEEP 10" appears, and then press **SLEEP** once again while "SLEEP 10" is displayed.



#### NOTE

You can check the remaining time before the unit turns off.  
Press **SLEEP**. The remaining time appears in the display window.

## 4

### Operation

### Dimmer

Press **SLEEP** once. The display window will be darken. To cancel it, press **SLEEP** repeatedly until dim off.

### Turning off the sound temporarily

Press **MUTE** to mute your unit.

You can mute your unit in order, for example, to answer the telephone, the mute icon (🔇) is blinked in the display window.

### DEMO

Press **DEMO** once. In power off state to demonstrate the function on display window.

### Displaying file information (ID3 TAG)

While playing an MP3 file containing file information, you can display the information by pressing **INFO**.

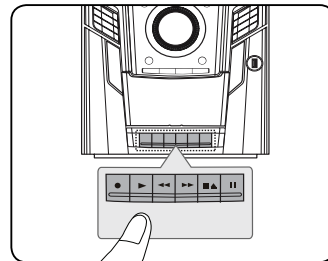
### Listening to music from your external device

The unit can be used to play the music from many types of external device.  
(Refer to the page 12)

1. Connect the external device to the AUX IN connector of the unit.
2. Turn the power on by pressing **⏻/⏻** (Power).
3. Select the AUX function by pressing **FUNCTION**.
4. Turn the external device on and start it playing.

### Recording to TAPE

You can record a various sound source to TAPE.



1. Open the tape deck and then insert a blank tape.
2. Select a function in which you want to record.
3. Playback a sound source first.
4. Press **●▶**.
5. To stop recording, press **■▲**.



### Synchronized Recording from CD to Tape

1. Open the tape deck and then insert a blank tape.
2. Close the door and insert a CD.  
> Audio CD only
3. Select CD function.
4. Press ●▶ on a stop status to move to CD synchronizing mode.  
> The synchronized recording is started automatically after about 7 seconds .
5. To stop recording, press ■▲.

### Recording to USB

You can record a various sound source to USB.

1. Connect the USB device to the unit.
2. Select a function in which you want to record playback a sound source first.

---

#### [One tracks recording]

You can record to USB after playing the file you want. (CD Only )

---

#### [All tracks recording]

You can record to USB after stopping. (CD Only )

---

#### [Program list recording]

After moving to the programmed list and you can record it to USB. (CD Only )

3. Start the recording by pressing ● REC
4. To stop recording, press ■.

### Pausing recording

During recording, press ● REC (R) to pause recording.

Press ● REC (R) to continue recording.  
(Only Radio/ AUX/ TAPE)

### To select recording bit rate and speed

1. Press ● REC for longer than 3 seconds.
2. Use I◀◀ ◀◀ or ▶▶ ▶▶I to select the bit rate.
3. Press ● REC again to select the recording speed.
4. Use I◀◀ ◀◀ or ▶▶ ▶▶I remote control to select a desired recording speed.

#### X1 SPEED

- You can listen to music while recording it.

#### X2 SPEED

- You can just record the music file.

5. Press ● REC to finish the setting.

The making of unauthorized copies of copy-protected material, including computer programs, files, broadcasts and sound recordings, may be an infringement of copyrights and constitute a criminal offense. This equipment should not be used for such purposes.

**Be responsible  
Respect copyrights**

**NOTE**

- You can check the recording percentage rate for the USB record on the display window during the recording. (MP3/ WMA CD Only)
- During recording MP3/ WMA, there is no sound.
- When you stop recording during playback, the file that has been recorded at that time will be stored. (AUDIO CD Only)
- Do not remove the USB device or turn off the unit during USB recording. If not, an incomplete file may be made and not deleted on PC.
- If USB recording does not work, the message like "NO USB", "ERROR", "FULL" or "NO REC" is displayed on the display window.
- Multi card reader device or External HDD can not be used for USB recording.
- For a recorded file, the maximum size is about 512 MB.
- When you stop recording during playback, the file will not be stored. (MP3/ WMA)
- You may not store more than 999 files.
- **It'll be stored as follows.**

AUDIO CD	MP3/ WMA	The other source
<ul style="list-style-type: none"> <li>■ CD_REC</li> <li>    TRK_001</li> <li>    TRK_002</li> <li>    .</li> <li>    .</li> </ul>	<ul style="list-style-type: none"> <li>■ FILE_REC</li> <li>    ABC(File name)</li> <li>    DEF(File name)</li> <li>    .</li> <li>    .</li> </ul>	<ul style="list-style-type: none"> <li>■ EXT_REC</li> <li>    AUDIO_001</li> <li>    AUDIO_002</li> <li>    .</li> <li>    .</li> </ul>

**Setting the surround mode**

This system has a number of pre-set surround sound fields. You can select a desired sound mode by using **EQ**.

The displayed items for the Equalizer may be different depending on sound sources and effects.

On Display	Description
AUTO EQ	Sets the sound equalizer to the mode that is the most similar to the genre which is included in the MP3 ID3 tag of song files.
POP CLASSIC ROCK	This program lends an enthusiastic atmosphere to the sound, giving you the feeling you are at an actual rock pop, or classic concert.
BASS BLAST	Reinforce the treble, bass and surround sound effect.
BYPASS	You can enjoy the sound without equalizer effect.

**NOTE**

- In some of surround modes, some speakers maybe no sound or low sound, it depends on the mode of surround and the source of audio, it is not defective.
- You may need resetting the surround mode, after switch the input, sometimes even after the sound track changed.

## Radio Operations

Be sure that both FM aerials are connected.  
(Refer to the page 11.)

### Listening to the radio

1. Press **FUNCTION** until FM appears in the display window.  
The last received station is tuned in.
2. Press and hold **TUN. (-/+)** for about two seconds until the frequency indication starts to change, then release. Scanning stops when the unit tunes in a station.

or

Press **TUN. (-/+)** repeatedly.

3. Adjust the volume by pressing **VOLUME (▲/▼)** repeatedly.

### Presetting the Radio Stations

You can preset 50 stations for FM.

Before tuning, make sure that you have turned down the volume.

1. Press **FUNCTION** until FM appears in the display window.
2. Select the desired frequency by **TUN. (-/+)**.
3. Press **PROGRAM/MEMO**, preset number will flash in the display window.
4. Press **PRESET/FOLDER (▲/▼)** to select the preset number you want.
5. Press **PROGRAM/MEMO**.  
The station is stored.
6. Repeat steps 2 to 5 to store other stations.

### Deleting all the saved stations

1. Press and hold **PROGRAM/MEMO** for two seconds.  
“ERASE ALL” will flash up on the unit display.
2. Press **PROGRAM/MEMO** to erase all saved radio stations.

### Improving poor FM reception

Press **▶/||** on the remote control. This will change the tuner from stereo to mono and usually improve the reception.

# 5 Maintenance

## Handling the Unit

### When shipping the unit

Please save the original shipping carton and packing materials. If you need to ship the unit, for maximum protection, re-pack the unit as it was originally packed at the factory.

Keeping the exterior surfaces clean

- Do not use volatile liquids such as insecticide spray near the unit.
- Wiping with strong pressure may damage the surface.
- Do not leave rubber or plastic products in contact with the unit for a long period of time.

### Cleaning the unit

To clean the player, use a soft, dry cloth. If the surfaces are extremely dirty, use a soft cloth lightly moistened with a mild detergent solution.

Do not use strong solvents such as alcohol, benzine, or thinner, as these might damage the surface of the unit.

### Maintaining the Unit

The unit is a high-tech, precision device. If the optical pick-up lens and disc drive parts are dirty or worn, the picture quality could be diminished. For details, please contact your nearest authorized service centre.

## Notes on Discs

### Handling Discs

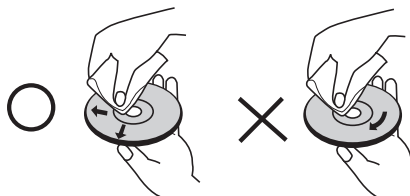


Never stick paper or tape on the disc.

### Storing Discs

After playing, store the disc in its case. Do not expose the disc to direct sunlight or sources of heat and never leave it in a parked car exposed to direct sunlight.

### Cleaning Discs



Do not use strong solvents such as alcohol, benzine, thinner, commercially available cleaners, or anti-static spray intended for older vinyl records.

# 6 Troubleshooting

## Troubleshooting

	PROBLEM	CAUSE	CORRECTION
<b>General</b>	No Power.	The power cord is not plugged in.	Plug in the power cord.
		Check whether electricity failed.	Check the condition by operating other electronic devices.
	No sound	Check whether you select right function.	Press FUNCTION and check the selected function.
		The audio cables are damaged.	Replace with a new audio cable.
<b>CD</b>	The unit does not start playback.	An unplayable disc is inserted.	Insert a playable disc.
		No disc is inserted.	Insert a disc.
		The disc is dirty.	Clean the disc. (Refer to page 20 )
		The disc is inserted upside down.	Place the disc with the label or printed side facing upwards.
<b>RADIO</b>	Radio stations cannot be tuned in properly.	The antenna is positioned or connected poorly.	Connect the antenna securely.
		The signal strength of the radio station is too weak.	Tune to the station manually.
		No stations have been preset or preset stations have been cleared (when tuning by scanning preset channels).	Preset some radio stations, see page 19 for details.
<b>Remote control</b>	The remote control does not work properly.	The remote control is too far from the unit.	Operate the remote control within about 23 ft (7 m).
		There is an obstacle in the path of the remote control and the unit.	Remove the obstacle.
		The battery in the remote control are exhausted.	Replace the battery with new one.
<b>TAPE</b>	Unable to record.	Record protect tabs are removed.	Cover holes on back edge of tape with tap.

# 7

## Appendix

### Specifications

#### General

Power supply	Refer to main label.
Power consumption	Refer to main label.
Net Weight (MCD65)	5.1 Kg
Net Weight (MCD35)	5 Kg
External dimensions (W x H x D)	( 272 x 338 x 358 ) mm
Operating conditions Temperature	5 °C to 35 °C, Operation status: Horizontal
Operating humidity	5 % to 85 %
Laser	Semiconductor laser, wavelength 760 to 800 nm

#### Tuner FM

FM Tuning Range	87.5 to 108.0 MHz or 87.50 to 108.00 MHz
FM Intermediate Frequency	128 kHz

#### Amplifier

Output Power (MCD65)	Front : 60 W
Output Power (MCD35)	Front : 30 W

#### USB

Bus Power Supply (USB)	5 V  500 mA
USB Version	USB 2.0 or USB 1.1

#### CD

Frequency Response	40 Hz to 20 kHz
Signal-to-noise ratio	70 dB
Dynamic range	70 dB

**TAPE**

F.F./REW Time	120 sec (C-60)
Frequency Response	250 to 8000 Hz
Signal to Noise Ratio	40 dB
Channel Separation	35 dB (P/B)/ 45 dB (R/P)
Erase Ratio	50 dB (MTT-5511)

**Speakers**

	FRONT	FRONT
<b>Speaker name</b>	MCS65F	MCS35F
<b>Type</b>	1 Way 1 Speaker	1 Way 1 Speaker
<b>Impedance</b>	6 $\Omega$	6 $\Omega$
<b>Rated Input Power</b>	30 W	15 W
<b>Max. Input Power</b>	60 W	30 W
<b>Net Dimensions (W x H x D)</b>	( 201 x 339 x 220 ) mm	( 201 x 339 x 220 ) mm
<b>Net Weight (1EA)</b>	2.19 kg	2.17 kg

Designs and specifications are subject to change without prior notice.

Notice (the date of the production of goods).  
 First figure ( of the left ) of series number means Year,  
 next 2 figures - Month of the production of this goods.



Импортер LG Electronics RUS

Адрес импортера 143160 Российская Федерация,  
Московская область,

Рузский район, сельское поселение Дороховское, 86 км.  
Минского шоссе, д.9

Адрес производителя : ВТРИК Интернешнл  
Трејдинг Ко, Лтд  
Китай, провинция Гуандун, г.  
Гуанчжоу, Панью Боро, Даши таун,  
Шибай Индастриал роад, Тврек  
Девей Индастриал Гарден

	Телефон	Режим работы	Интернет
Россия	8-800-200-7676	Круглосуточно	<a href="http://www.lg.com">http://www.lg.com</a>
Беларусь	8-820-0071-1111		
Латвия	8-0003-271		
Литва	8-800-30-800		
Эстония	800-9990		
Украина	0-800-303-000	8:00 - 21:00 (Пн.-Пят.) 9:00 - 18:00 (Суб., Вс.)	
Казахстан	8-8000-805-805	9:00 - 18:00 (Пн.-Пят.) 9:00 - 18:00 (Суб.)	
	2255 (для мобильных телефонов)		
Кыргызстан	8-0000-710-005	Круглосуточно	
Узбекистан			



Сделано в Китае