



LG

Life's Good

OWNER'S MANUAL

LAMP

AJ-LCF3

P/NO: 3828VA0584M (1007-REV00)

www.lg.com

Contact your dealer for replacing a new lamp.

The lifetime of the lamp depends on how much the projector is used. You can see the used lamp time in the **Lamp Time** of **INFORMATION** section. You must replace the lamp when:

- The projected image gets darker or starts to deteriorate.
- The lamp indicator is magenta.
- The message "Replace the lamp" appears on the screen when turning the projector on.

Lamp indicators



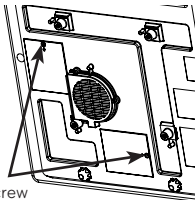
< Top panel of the
Projector >

Be careful when replacing lamp

- Press the **POWER** button on the control panel or remote control to turn off power.
- If the operation indicator LED is cyan and blinking, do not disconnect the main supply until the operation indicator LED is lit up constantly (blue).
- Allow the lamp to cool for 1 hour before replacing it.
- Replace only with the same type lamp from an LG Electronics Service Center. Using another manufacturer's lamp may cause damage to the projector and lamp.
- Pull out the lamp only when replacing the lamp.
- Keep the lamp unit out of reach of children. Keep the Lamp away from heat sources such as radiators, stoves etc.
- To reduce the risk of fire do not expose the lamp to liquids or foreign materials.
- Do not place the lamp near any heat source.
- Make sure the new lamp is securely tightened with screws. If not, the image may be dark or there could be an increased risk of fire.
- Never touch the glass on the lamp. Image quality may be compromised or lamp life maybe reduced.

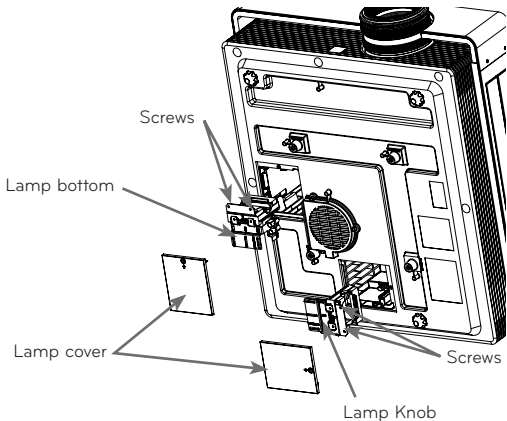
Replacing the Lamp

1. Turn off the projector and unplug the power cable. Carefully place on a cushioned surface. (Allow the lamp to cool for 1 hour before removing the used lamp from the projector.)
2. Unscrew the screw from the lamp cover using a screwdriver.



Lamp cover screw

3. After lifting the lamp cover off, remove the two retaining screws on the lamp case with a screwdriver. Lift the lamp up from the projector.



- Pull out the handle slowly and remove the lamp case.
- Insert the new lamp gently into the correct position. Push the lamp bottom to check if it is correctly installed.
- Tighten the screws you removed in step 3. (Make sure they are fixed firmly.)
- Close the lamp cover and install the screws from step 2 to install the cover. (If the lamp cover is not installed correctly the unit will not power on.)

Note!

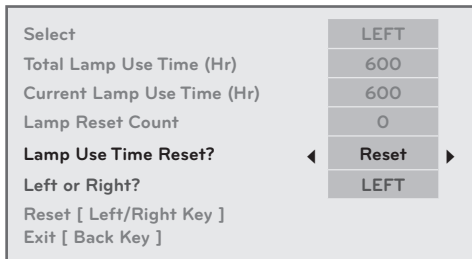
Using another manufacturer's lamp may cause damage to the projector or lamp.

Make sure the lamp cover is securely fastened. If the lamp cover is not installed correctly the unit will not power on. If this fault persists contact an LG Authorized Service Center.

Reset Lamp Time

* You must reset lamp time on the menu after replacing the lamp.

- Press the **OK** button on the projector and **OK** button on the remote control simultaneously (About 5 seconds).



- Press the \wedge , \vee , $<$, $>$, **OK** button. Lamp time will be reset.