



OWNER'S MANUAL

AIR CONDITIONER

Please read this manual carefully before operating your set and retain it for future reference.

TYPE:PORTABLE AIR CONDITIONER

MODEL:LP1411SHR

INTRODUCTION

IMPORTANT SAFETY INSTRUCTIONS

Basic Safety Precautions	3, 4
Electrical Safety	4, 5

PARTS AND FEATURES

Key Parts and Components	6
Control Panel and Remote	7

HOW TO USE

Before Using Your Air Conditioner	8, 9
Using the Controls	10

INSTALLATION INSTRUCTIONS

Selection of Installation Location	11
Attaching the Hose and Diffuser	12
Preparing for Installation	13
Window Vent Panel and Extensions	14
Installation in Vertical Sliding Windows	15, 16
Installation in Casement Windows	17, 18

CARE AND CLEANING

Water Drainage	19
Cleaning	20
Air Filter	20
Defrost Operation	20
Storing the Air Conditioner	21

TROUBLESHOOTING

Before Calling for Service	22, 23
--------------------------------------	--------

WARRANTY

Product Registration Information	24
--	----

THANK YOU!

Congratulations on your purchase
and welcome to the LG family.

Your new LG Air Conditioner
combines high-efficiency operation
with portable convenience.

By following the operating and care
instructions in this manual, your air
conditioner will provide you with
many years of reliable service.

IMPORTANT SAFETY INSTRUCTIONS

READ ALL INSTRUCTIONS BEFORE USE

Your safety and the safety of others is very important.

We have provided many important safety messages in this manual and on your appliance. Always read and obey all safety messages.



This is the safety alert symbol.

This symbol alerts you to potential hazards that can kill or hurt you and others.

All safety messages will follow the safety alert symbol and either the word “WARNING” or “CAUTION”. These words mean:

⚠ WARNING This symbol indicates the possibility of death or serious injury.

⚠ CAUTION This symbol indicates the possibility of injury or damage to property.

BASIC SAFETY PRECAUTIONS

⚠ WARNING To reduce the risk of fire, electric shock, or injury to persons when using this appliance, follow basic precautions, including the following:

- Do not attempt to repair or replace any part of your air conditioner unless it is specifically recommended in this manual. All other services should be referred to a qualified technician.
- If the power cord becomes worn or damaged, the cord should only be replaced by a qualified service technician using genuine replacement parts.
- The air conditioner should be plugged into its own grounded 15A, 60 Hz., 120 VAC circuit.
- Do not plug other appliances into the same outlet; it can overload the circuit and cause a fire or electric shock.
- Do not remove the round grounding prong from the plug. It can result in the risk of electric shock.
- This air conditioner is not designed for use by young children. Young children should be supervised to ensure that they do not play with or climb on the air conditioner.
- Be sure all packaging materials are removed from the air conditioner before use. It can result in personal injury.
- Do not disassemble or modify the air conditioner or the power cord. It can result in the risk of electric shock or fire.
- Do not place the power cord or air conditioner near a heater, radiator, or other heat source. It can result in the risk of electric shock or fire.
- Do not use this or any appliance near flammable gases or liquids or other combustibles, such as gasoline, benzene, thinner, etc. It can result in the risk of electric shock or fire.
- Make sure the power cord is plugged firmly and completely into the outlet. It can result in the risk of electric shock or fire.
- Do not start or stop operation by plugging in or unplugging the power cord. It can result in the risk of electric shock.
- If the air conditioner is making unusual sounds or is emitting smoke or an unusual odor, unplug it immediately. It can result in the risk of electric shock or fire.
- Do not use if the electrical socket is loose or damaged. It can result in the risk of electric shock or fire.
- Do not operate with wet hands or in a damp environment. It can result in the risk of electric shock.
- Do not use this or any electrical appliance if you smell gas. It can result in the risk of fire or explosion.
- Turn off and unplug the air conditioner before cleaning to avoid the risk of electric shock.
- Do not clean the unit with water. Water can enter the unit and damage the insulation, creating a shock hazard. If water enters the unit, unplug it immediately and contact Customer Service. It can result in the risk of electric shock.
- Use two or more people to lift and install the unit. Failure to do so can cause back injury or other injuries.

IMPORTANT SAFETY INSTRUCTIONS

READ ALL INSTRUCTIONS BEFORE USE

BASIC SAFETY PRECAUTIONS

⚠ CAUTION To reduce the risk of fire, electric shock, or injury to persons when using this appliance, follow basic precautions, including the following:

- To avoid possible cuts, avoid contacting the metal parts of the air conditioner when removing or reinstalling the filter. It can result in the risk of personal injury.
- Do not block the air inlet or outlet of the air conditioner. Reduced air flow will result in poor performance and could damage the unit.
- Always grasp the plug when plugging in or unplugging the air conditioner. Never unplug by pulling on the cord. It can result in the risk of electrical shock and damage.
- Always turn off and unplug the air conditioner when it will not be used for extended period of time. This conserves energy and reduces the chance of accidents.
- Secure the wheels with blocks to prevent the air conditioner from rolling on smooth floors.
- Install the air conditioner on a sturdy, level floor capable of supporting up to 110 lbs (50 kg). Installation on a weak or unlevel floor can result in the risk of property damage and personal injury.
- Make sure the air conditioner is the correct size for the area you wish to cool. Using an air conditioner that is the wrong size can waste energy and damage the air conditioner.
- Close all doors and windows to the room for most efficient operation.
- To prevent damage to the surface finish, use only a soft cloth to clean the air conditioner. Do not use wax, thinner, or a strong detergent.
- To prevent spills and property damage, be sure to drain the air conditioner properly.
- To prevent the coils from freezing, do not operate the air conditioner if the room temperature is (Cool 60°F~104°F, Heat 41°F~80.6°F)
- Do not position the air conditioner so that pets or house plants are exposed to the direct air flow. It can result in the risk of injury to pets or house plants.
- This air conditioner is designed for normal household use. Do not use for cooling pets, foods, precision machinery, or art objects.
- Do not drink the water from the drain pan. Dispose of it properly outdoors or down the drain.
- Do not operate air conditioner without the filter securely in place. Operation without the filter could damage the unit.
- Clean the filter every two weeks, or more often if needed.

ELECTRICAL SAFETY

⚠ WARNING

Electrical Shock Hazard

Failure to follow these instructions can result in death, fire, or electrical shock.

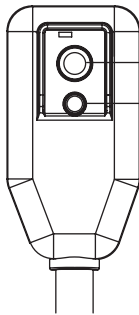
- This unit must be properly grounded.
- Do not, under any circumstances, cut or remove the ground prong.
- If you do not have a properly grounded outlet, or if there is any doubt that the outlet is not properly grounded, a qualified electrician should check the outlet and circuit, and, if necessary, install a properly grounded outlet.
- This air conditioner must be plugged into a grounded 60 Hz, 120 VAC outlet protected by a 15 amp time delay fuse or circuit breaker.
- This air conditioner must be installed in accordance with national wiring codes.
- Do not alter or modify the plug or cord of this air conditioner. If the power cord becomes worn or damaged, the cord should only be replaced by a qualified service technician using genuine replacement parts.
- Do not use an extension cord.

IMPORTANT SAFETY INSTRUCTIONS

READ ALL INSTRUCTIONS BEFORE USE

ELECTRICAL SAFETY

INTEGRATED CIRCUIT BREAKER



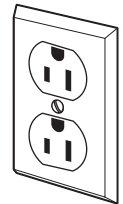
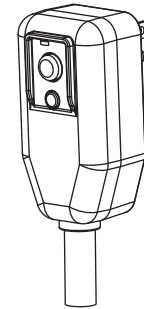
Reset
Test

For additional safety, the power cord features an integrated circuit breaker. Test and reset buttons are provided on the plug case.

The circuit breaker should be tested periodically by pressing the TEST

button does not cause the circuit breaker to trip, or if the RESET button will not stay engaged, unplug the air conditioner immediately and contact your LG service technician.

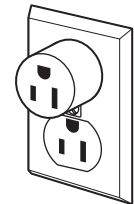
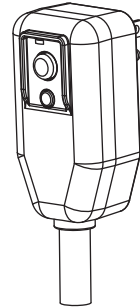
PREFERRED GROUNDING METHOD



Ensure proper ground exists before use.

TEMPORARY GROUNDING METHOD

(Use of adapter plugs not permitted in Canada)



Ensure proper ground exists before use.

Due to potential safety hazards, the use of an adapter plug is strongly discouraged.

For temporary connections, use only a UL-listed adapter. Ensure that the large slot in the adapter is aligned with the large slot in the outlet.

To prevent damage to the adapter's ground terminal, hold the adapter in place while plugging in or unplugging the air conditioner.

- **Attaching the adapter ground terminal to the wall receptacle cover screw does not ground the appliance unless the cover screw is metal and not insulated, and the wall receptacle is grounded through the house wiring.**

- **Frequent connection and disconnection can damage the ground terminal on the adapter. Never use a broken or damaged adapter.**

SAVE THESE INSTRUCTIONS

PARTS AND FEATURES

KEY PARTS AND COMPONENTS

1 CONTROL PANEL AND DISPLAY

Easy-to-read white LCD display shows the operation state. Digital touch buttons make changing settings quick and easy.

2 MOTORIZED AIR DISCHARGE

The adjustable louvered air discharge opens automatically when the air conditioner is turned on, and closes when it is turned off. It can also be set to oscillate to distribute air more evenly through the room.

3 INFRARED REMOTE CONTROL

The LCD remote control allows you to adjust the temperature and operate most functions of the air conditioner from across the room.

4 HOSE AND DIFFUSER

Use the diffuser and hose to connect the air conditioner to the window installation kit to vent exhaust air outside.

5 FILTER

You can pull out and insert the filter easily.

6 HANDLES

The handles provide a convenient grip when lifting the air conditioner.

7 SWIVELING CASTERS

Swiveling casters allow you to move the air conditioner easily on most floor surfaces.

8 BOTTOM DRAIN PORT

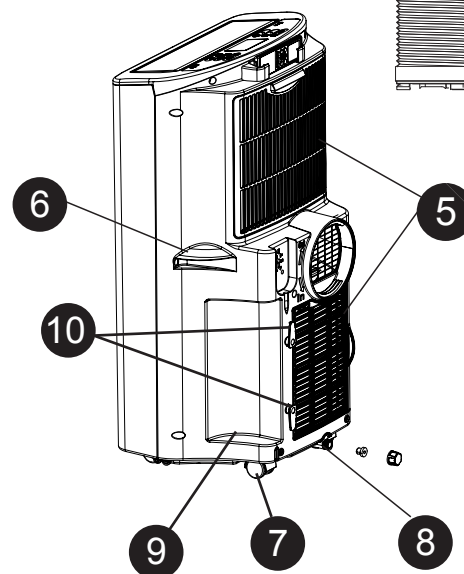
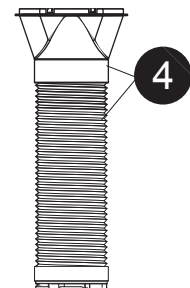
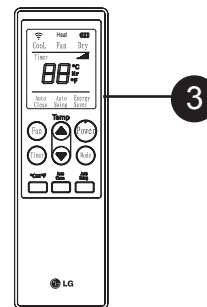
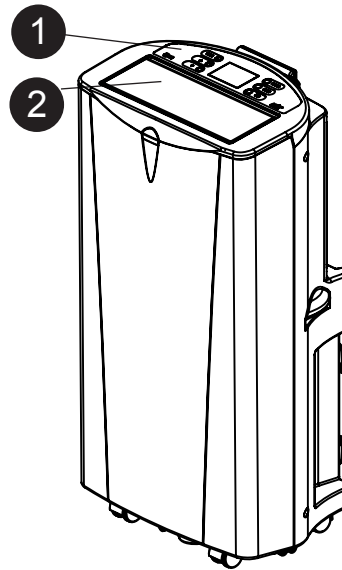
Before moving the unit, drain the internal water collection tank completely by using bottom drain port.

9 MULTI-SPEED FANS

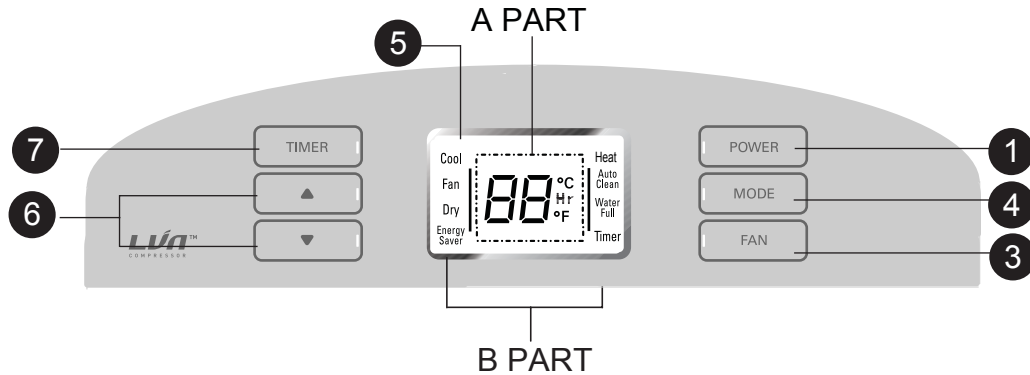
The air conditioner features two multi-speed fans: a circulation fan for moving air inside the room, and an exhaust fan to vent hot air outdoors through the hose and diffuser.

10 POWER SUPPLY CORD HOLDER

Wrap power supply cord around the holders for your convenience.



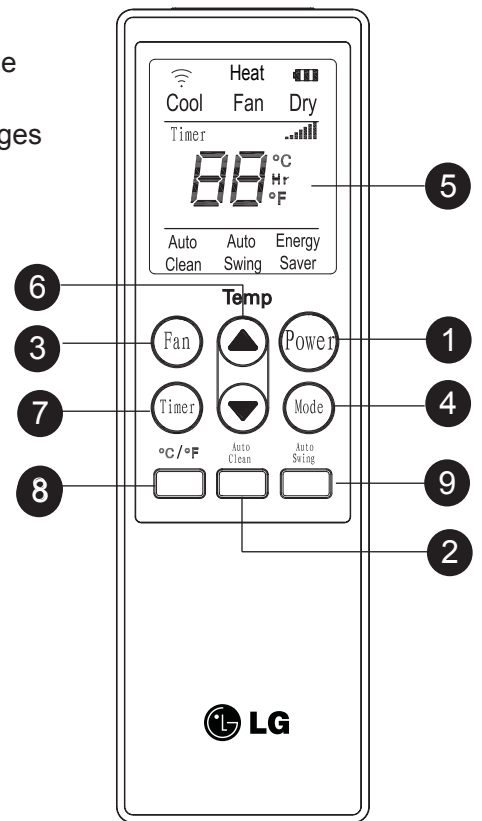
CONTROL PANEL AND REMOTE



Operation of functions is the same when using the remote or the control panel, unless otherwise stated.

For detailed instructions on each function, see the following pages

- 1 **POWER ON/OFF**
Turns the air conditioner on and off. When turning on, a rising tone will sound to confirm. When turning off, a descending tone will sound.
- 2 **AUTO CLEAN**
The AUTO CLEAN function is used to remove moisture from the heat exchangers and helps prevent odor from forming. This function can be activated from the Remote only.
- 3 **FAN SPEED**
Adjusts the circulation fan speed between low (F1), medium (F2), and high (F3).
- 4 **MODE**
Switches the air conditioner between COOL, FAN, DRY, ENERGY SAVE and HEAT modes. The active mode will be shown in the LCD display.
- 5 **LCD DISPLAY**
A PART shows the set temperature (°C or °F) , fan speed, or the selected TIMER delay.
B PART shows the active mode(COOL,FAN,DRY,ENERGY SAVER and HEAT),Auto clean,Water full and Timer.
- 6 **▲ / ▼ (TEMP/TIMER)**
Use these buttons to adjust the set temperature up or down, or to adjust the timer delay time.
- 7 **TIMER**
Allows you to set a delay from 1 to 24 hours that will turn the air conditioner on or off automatically.



- 8 **°C / °F**
Use this button, the temperature display can be switched between degrees Celsius(°C) and degrees Fahrenheit(°F)
- 9 **AUTO SWING**
Sets the motorized air discharge to oscillate, improving air circulation in the room. This function can only be activated and displayed from the remote control.

HOW TO USE

BEFORE USING YOUR AIR CONDITIONER

PREPARING FOR OPERATION

Refer to the Installation Instructions included in this manual before using the air conditioner.

Once the air conditioner has been properly assembled and installed:

- 1 Plug the power cord into its own dedicated properly grounded outlet. You will hear a tone to confirm that the conditioner is plugged in. Do not plug other appliances into the same outlet; it could overload the outlet and create a fire hazard.
- 2 Make sure the air conditioner and cord is positioned where it does not create a tripping hazard and will receive adequate ventilation. Do not place it directly next to furniture or objects that could block the vent openings.
- 3 Make sure that any items that could be blown over or damaged by the airflow from the fan are out of the airflow path.

UNPACKING THE AIR CONDITIONER

Remove and store packing materials for reuse.

Remove any shipping tape before using the air conditioner. If the tape leaves behind any adhesive, rub a small amount of liquid dish soap onto it and wipe with a damp cloth. Do NOT use sharp instruments, alcohol, thinners, or abrasive cleaners to remove adhesive. They could damage the finish.

IMPORTANT:

- Do not remain in the direct airflow from the air conditioner for extended periods of time.
- To prevent damage or injury to pets and plants, make sure they are not exposed to direct airflow from the air conditioner.
- When used at the same time as stoves, fireplaces, and other combustion devices, make sure there is a sufficient flow of fresh air into the room. Do **not** use in tightly enclosed spaces with these types of devices.
- This air conditioner is intended for household use as a consumer comfort appliance. Do **not** use it as a precision climate control system, or for purposes such as cooling precision equipment, food, pets, plants, artwork, etc. Such items could be damaged.
- Do not bend the hose downward when window installation kit is not applied. It may cause failure of air conditioner or performance deterioration.

BEFORE USING YOUR AIR CONDITIONER

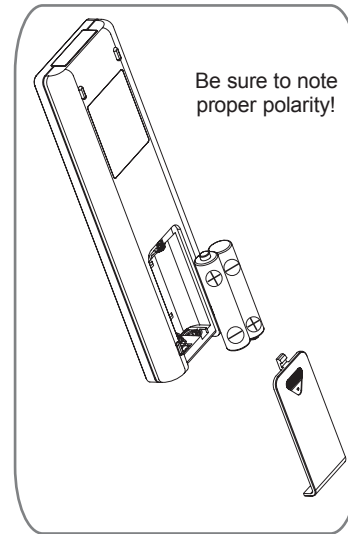
INSERTING BATTERIES IN THE REMOTE

Before using your remote, install the provided AAA batteries:

- 1 Press and glide the battery cover on the back of the remote, then you can remove the cover.
- 2 Insert two new alkaline AAA batteries into the battery compartment, being sure to note the proper polarity.
- 3 Reattach the battery cover, making sure the locking tab clicks into place.

NOTES:

- Use only alkaline batteries. Do not use rechargeable batteries.
- When replacing batteries, always replace both batteries with new batteries. Do not mix old and new batteries.
- If the air conditioner will not be used for an extended period of time, remove the batteries from the remote.

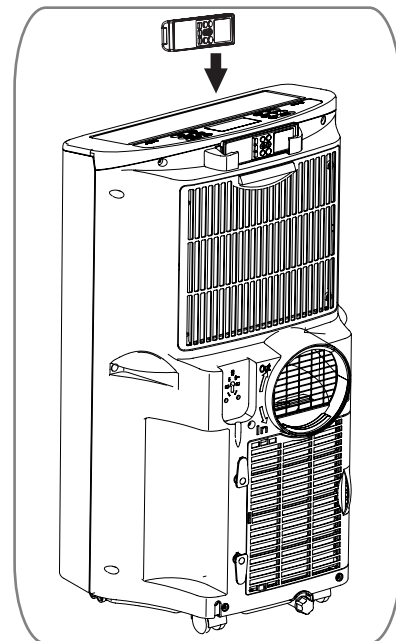


REMOTE STORAGE

Your air conditioner has a special place for convenient storage the remote control. See Right Figure.

NOTE:

In order to avoid losing the remote, please put the remote inside of the storage place when you not use it.



CAUTION

- If the liquid from the batteries gets onto your skin or clothes, wash it well with clean water. Do not use the remote if the batteries have leaked.
- If you eat the liquid from the batteries, brush your teeth and see doctor. The chemicals in batteries could cause burns or other health hazards.

HOW TO USE

USING THE CONTROLS

Control panel buttons shown. Operation using the remote control is the same, unless specifically noted. **NOTE:** The remote sensor is located under the air discharge and on the top of the front panel.

POWER

Press the **POWER** button to turn the air conditioner ON or OFF. When you turn the air conditioner on, an ascending tone will play and the LCD display will show the set temperature and any active mode. The air discharge on the top of the air conditioner will automatically open.

When turning the air conditioner off, you will hear a descending tone and the air discharge on the top of the air conditioner will close.

Any control settings such as Mode, Set Temperature, Auto Swing, etc. will be retained in memory when the power is off.

NOTE: When turned on after being unplugged, the air conditioner will automatically reset to COOL mode, with a temperature setting of 22°C. Any settings will need to be re-entered.



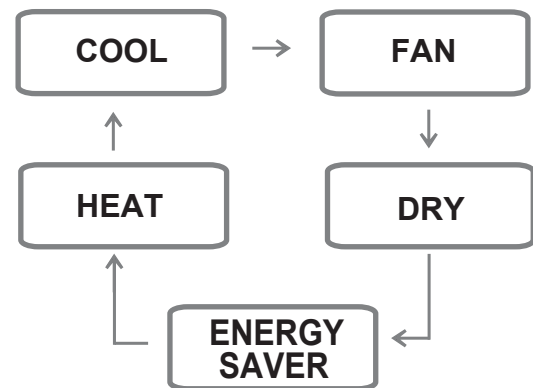
Always point the remote at the sensor. The remote may not work if the sensor is in bright light or if there is not a clear path between the remote and the sensor.

MODE

Press the **MODE** button to select the operating mode (COOL, FAN, DRY, ENERGY SAVER or HEAT) for the air conditioner.

And you can see the active mode through the LCD Display. The default setting is COOL.

Press the **MODE** button to change to FAN, press again to change to DRY, again to change to ENERGY SAVER, again to change to HEAT, and again to return to COOL.



Mode	Features
COOL (HEAT)	Compressor runs and cools (heats) the room. Use the ▲ / ▼ and FAN buttons to set the desired temperature and circulation fan speed.
FAN	Fan circulates air but compressor does not run. Use the FAN button to set the desired fan speed.
DRY	Dry mode is used to remove humidity from the room without additional cooling. Once the set temperature is reached, the compressor and circulation fan turns off and only the exhaust fan will run. Fan speed is pre-set and cannot be adjusted.
ENERGY SAVER	Under normal operation, the exhaust fan cycles on and off with the compressor, and the circulation fan runs at the set speed. The mode helps reduce power consumption by automatically turning off the circulation fan as well as the exhaust fan when the compressor is off. The air conditioner will automatically cycle both fans on and off with the compressor as needed for cooling.

USING THE CONTROLS

FAN

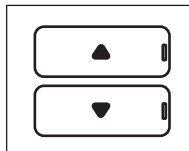
Pressing the **FAN** button cycles the circulation fan speed from low (F1) to medium (F2) to high (F3). The selected fan speed will be shown in the LCD display. The function can be used in either COOL, FAN or HEAT modes.



When changing fan speeds, there is a brief delay before the fan motor changes speed.

▲ / ▼ (TEMP/TIMER)

In COOL and DRY modes, the ▲ / ▼ (TEMP/TIMER) buttons adjust the set temperature up to 86°F or



down to 60°F, in one degree increments. The temperature can be switched between degrees Fahrenheit and degrees Celsius, pressing the ▲ button and ▼ button at the same time, or pressing °F = °C button on the remote.

When the TIMER function is selected, use the ▲ / ▼ (TEMP/TIMER) buttons to adjust the delay time from 1 to 24 hours, in one hour increments.

If you press and hold the ▲ / ▼ (TEMP/TIMER) buttons, the set temperature or time will change automatically after a few seconds.

NOTE: The displayed temperature is the SET temperature, not the room temperature. In COOL, DRY, ENERGY SAVER or HEAT mode, the thermostat in the air conditioner will run the compressor until the set temperature is reached, then cycle the compressor on and off to maintain the set temperature.

TIMER

When the TIMER function is selected, you can set the air conditioner to either automatically turn OFF or turn ON after a delay of up to 24 hours. The display will show 0. Use the ▲ / ▼ (TEMP/TIMER) buttons to adjust the delay time from 1 to 24 hours, in one hour increments.



To set an automatic off delay, press the TIMER button while the air conditioner is running and use the ▲ / ▼ (TEMP/TIMER) buttons to adjust the delay time. The air conditioner will automatically turn OFF after the set delay.

To set an automatic on delay, press the TIMER button while the air conditioner is off and use the ▲ / ▼ (TEMP/TIMER) buttons to adjust the delay time.

The display will show the number of hours remaining until the unit is set to come on. The air conditioner will automatically turn ON after the set delay.

If you want to know how many hours you have setted, press the **TIMER** button and then you can see the time through the LCD display. If you want to change the set timer, press the **TIMER** button and adjust the time when the number is flickering.

To cancel the Timer function, one method is press the **TIMER** button and adjust the number to "0" when the number is flickering, then the function will be canceled in a few seconds. Another better method is Press the **TIMER** button and Press this button again when the number is still flickering.

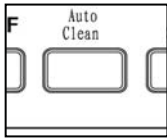
NOTE: Do not unplug the air conditioner when using the timer function.

HOW TO USE

USING THE CONTROLS

AUTO CLEAN

- To turn the **AUTO CLEAN** function on, press the **AUTO CLEAN** button while the air conditioner is running in COOL, DRY or ENERGY SAVER mode. This function can only be selected from the remote; it is not available from the control panel. It must be set each time you wish to run the **AUTO CLEAN** function.



AUTO CLEAN is used to remove moisture from the heat exchange coils. This helps prevent the formation of mildew and odors.

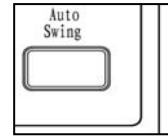
- 1** To use **AUTO CLEAN**
With the air conditioner running in COOL, DRY, ENERGY SAVER or HEAT mode, press the **AUTO CLEAN** button.
- 2** "**AUTO CLEAN**" will be displayed in the LCD display.

Press the **POWER** button to turn the air conditioner off. **AUTO CLEAN** will run the circulation and exhaust fans with the compressor off for a few minutes after the power is turned off.

To cancel **AUTO CLEAN**, or to stop an **AUTO CLEAN** cycle in process, simply press the **AUTO CLEAN** button again. The **AUTO CLEAN** function will not operate if the air conditioner is already off.

AUTO SWING

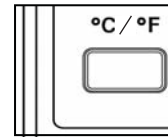
- AUTO SWING** function can only be activated with the remote. When this function is on, the air discharge will oscillate to circulate air more evenly through the room. To turn this function off, simply press the **AUTO SWING** button with the remote again.



With **AUTO SWING** off, you may also manually adjust the air discharge to the desired position. It will maintain this position until the air conditioner is turned off or **AUTO SWING** is activated.

°C / °F

- °C / °F** function can only be activated with the remote. When the displayed temperature is °C (or °F), you can press this button to switch to °F (or °C).



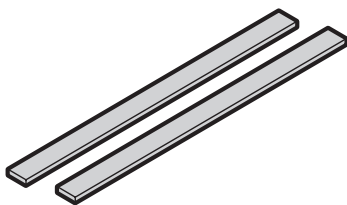
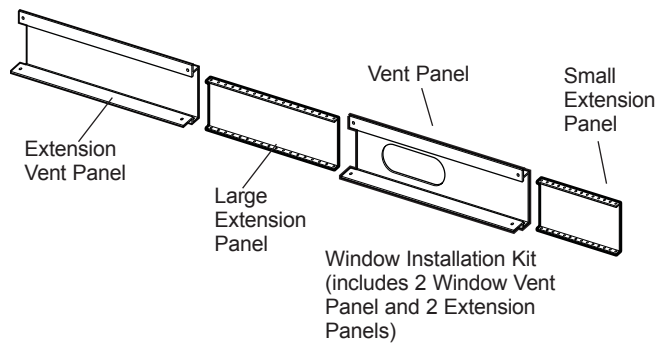
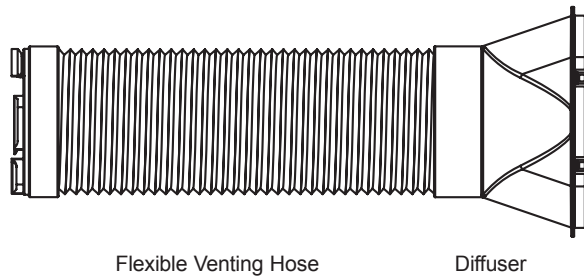
INSTALLATION INSTRUCTIONS

PREPARING FOR INSTALLATION

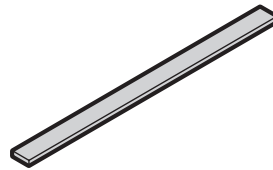
⚠ WARNING The air conditioner is heavy! Use two or more people to lift and install the unit! Failure to do so could result in back injury or other injuries.

EXHAUST COMPONENTS

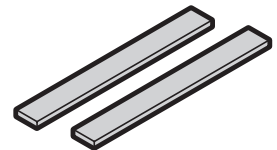
The following components are used for window venting.
Not all components are used for every installation.



2 Type A Foam Seals
(adhesive)



1 Type B Foam Seal
(non-adhesive)



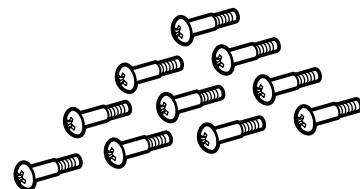
2 Type C Foam Seals
(Adhesive type-Shorter)



Security Bracket



4 Type A Screws

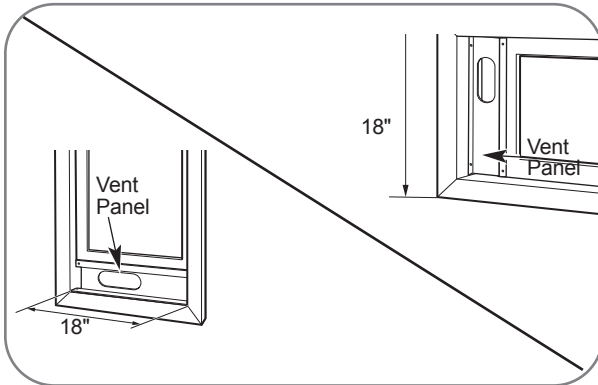


10 Type B Screws

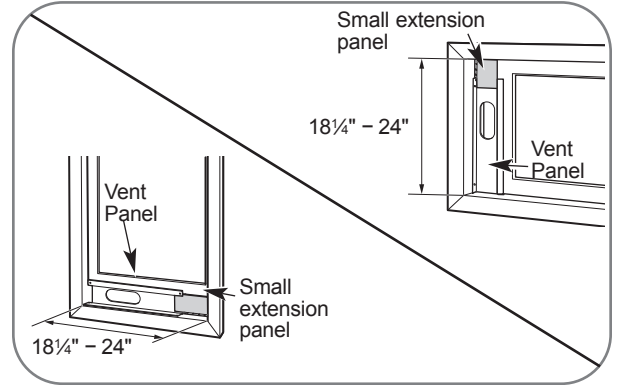
INSTALLATION INSTRUCTIONS

WINDOW VENT PANEL AND EXTENSIONS

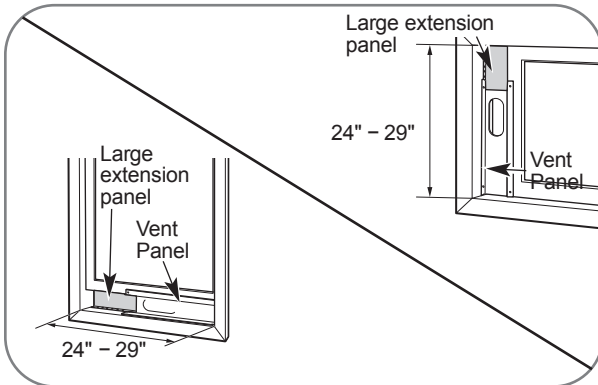
The window installation kit allows you to install the air conditioner in most vertical-sliding windows 18" to 48" wide, or casement-style windows from 18" to 48" high.



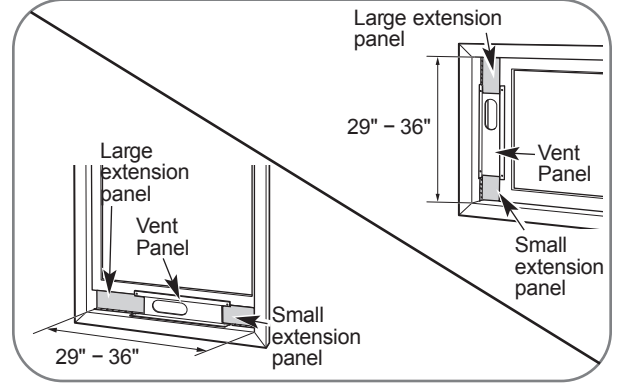
For an 18" window opening, use the window vent panel by itself.



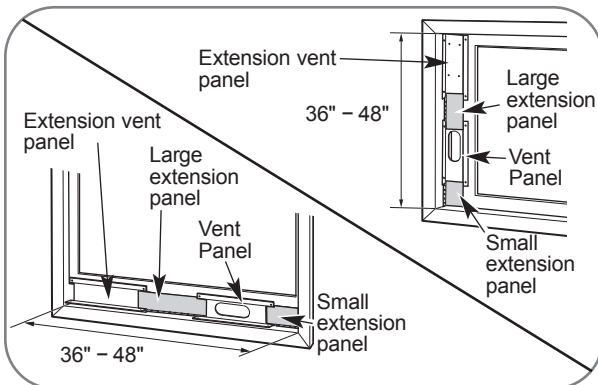
For window openings from 18 $\frac{1}{4}$ " to 24", use the window vent panel and the small extension panel.



For window openings from 24" to 29", use the window vent panel and the large extension panel.



For window openings from 29" to 36", use the window vent panel and both extension panels.

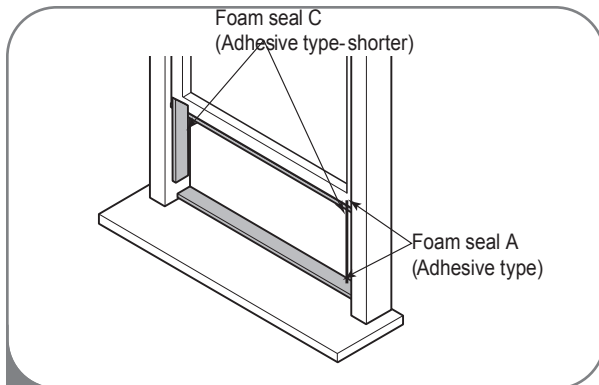


For window openings from 36" to 48", use both vent panels and both extension panels.

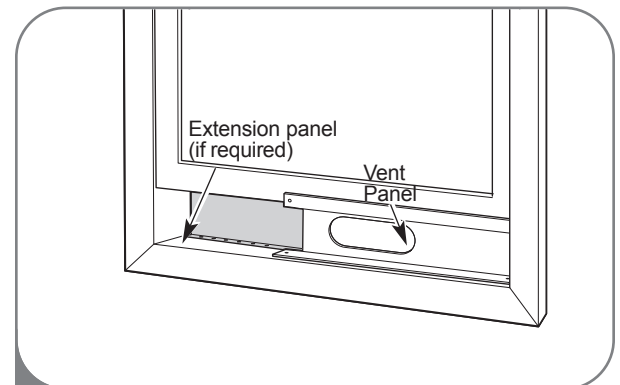
INSTALLATION INSTRUCTIONS

INSTALLATION IN VERTICAL SLIDING WINDOWS

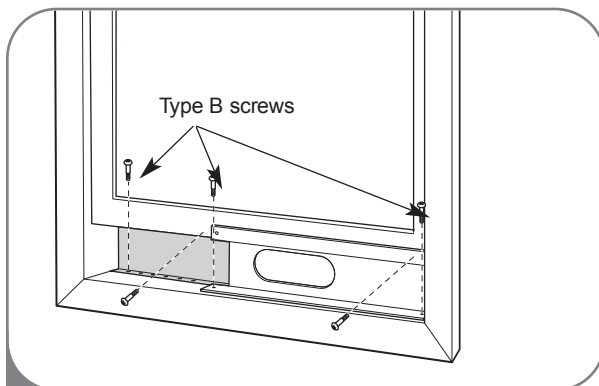
NOTE: The window installation kit can be used with vertical sliding windows between 18" and 48" wide.



- 1 Cut the foam seal A(adhesive type) & C(adhesive type-shorter) to the proper length, and attach it to the window sash and frame.



- 2 Insert the vent panel assembly, including extension panels, if needed, into the window opening. Extend the extension panels, if used.



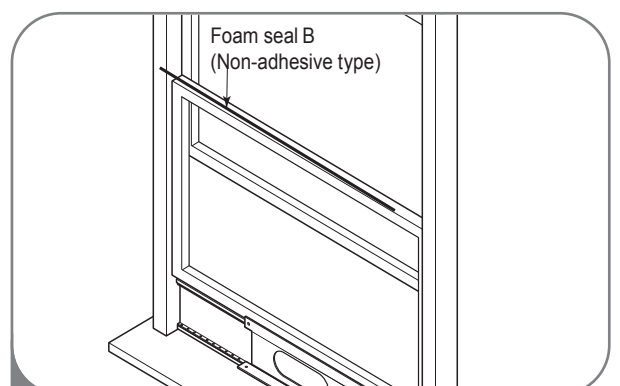
- 3 Carefully lower the window. Secure the vent panel in place with 4 type B screws, plus one screw for each extension:

Vent panel only: 4 type B screws

Vent panel and one extension: 5 type B screws

Vent panel and two extensions: 6 type B screws

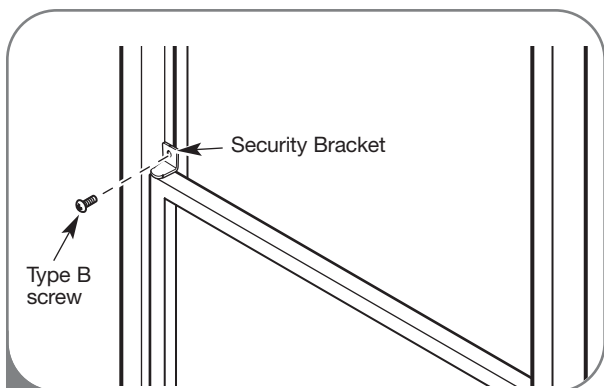
Two vent panels and two extensions: 9 type B screws



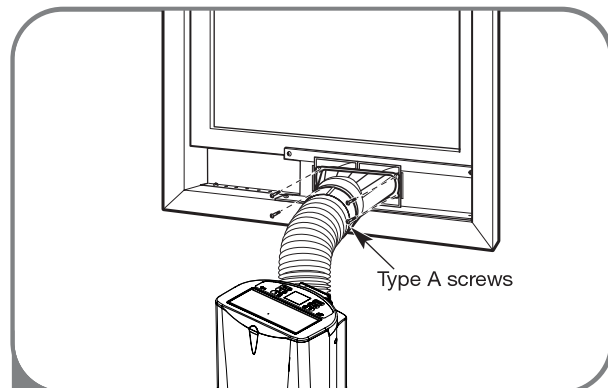
- 4 Cut the foam seal B(Non-adhesive type) to the window width. Stuff the foam seal B between the glass and the window to prevent air and insects from getting into the room.

INSTALLATION INSTRUCTIONS

INSTALLATION IN VERTICAL SLIDING WINDOWS



- 5** Install the security bracket with a type B screw, as shown.

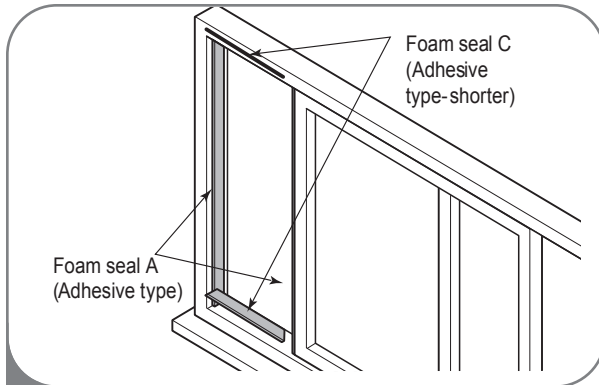


- 6** Insert the oval end of the diffuser into the window installation kit until the locking tabs engage. Secure in place with four Type A screws.

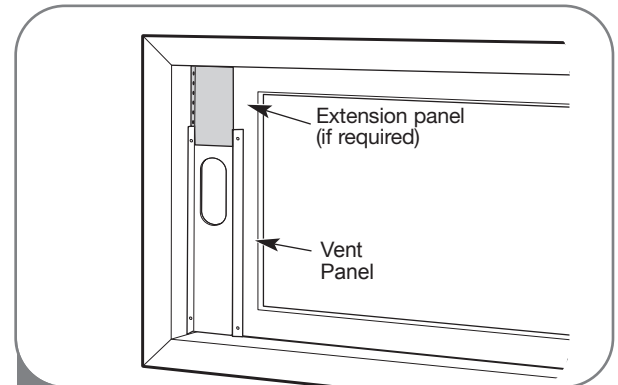
INSTALLATION INSTRUCTIONS

INSTALLATION IN CASEMENT STYLE WINDOWS

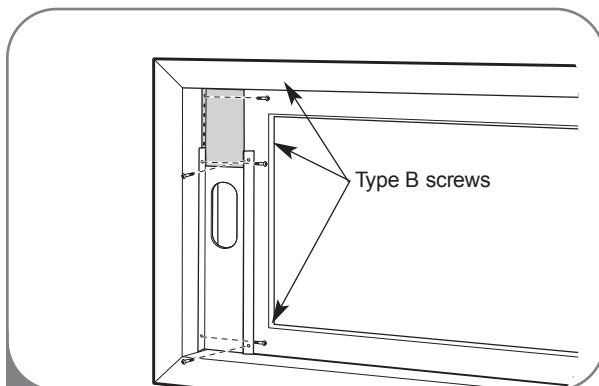
NOTE: The window installation kit can be used with casement windows between 18" and 48" tall.



- 1 Cut the foam seal A(adhesive type) & C(adhesive type-shorter) to the proper length, and attach it to the window sash and frame.



- 2 Insert the vent panel assembly, including extension panels, if needed, into the window opening. Extend the extension panels, if used.



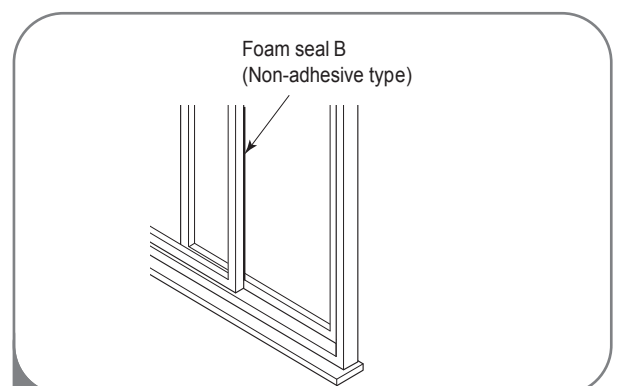
- 3 Carefully close the window. Secure the vent panel in place with 4 type B screws, plus one screw for each extension:

Vent panel only: 4 type B screws

Vent panel and one extension: 5 type B screws

Vent panel and two extensions: 6 type B screws

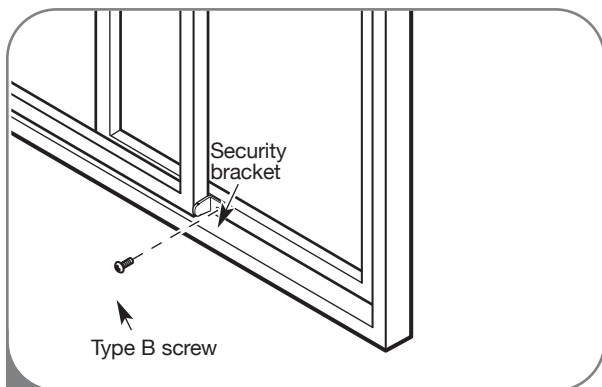
Two vent panels and two extensions: 9 type B screws



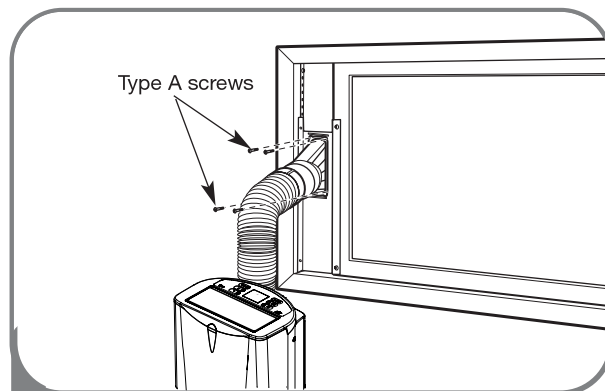
- 4 Cut the foam seal B(Non-adhesive type) to the window height. Stuff the foam seal B between the glass and the window to prevent air and insects from getting into the room.

INSTALLATION INSTRUCTIONS

INSTALLATION IN CASEMENT STYLE WINDOWS



5 Install the window security bracket with a type B screw, as shown.



6 Insert the oval end of the diffuser into the window installation kit until the locking tabs engage. Secure in place with four of the included screws.

CARE AND CLEANING

Your air conditioner is designed for year-round operation with only minimal cleaning and maintenance.

For maximum efficiency, it is recommended that you have the cooling coils inspected and cleaned annually. Your local LG Authorized Service Center can provide this inspection and cleaning service for a nominal fee.

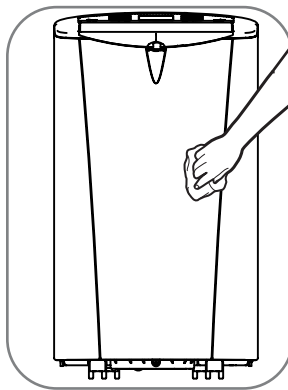
WARNING

- Unplug the air conditioner before cleaning or performing any maintenance or servicing.
- Be careful when cleaning coils or removing or reinstalling the filter—the cooling fins are sharp!

Failure to follow the above precautions could result in electrical shock or personal injury.

CLEANING THE CASE

Wipe the case with a slightly damp cloth, then wipe dry with a dry cloth or towel.



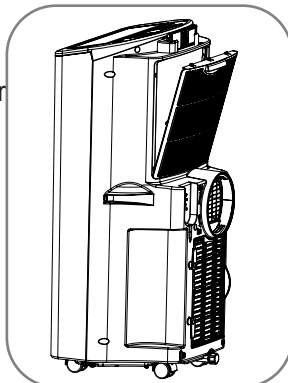
- To prevent damage to the finish, do not use gasoline, benzene, thinner, etc., or any abrasive cleansers to clean the air conditioner; they may damage the finish.
- Never pour water onto or into the unit; it could damage internal components and create a shock and fire hazard.

CLEANING THE AIR FILTER

The air filter should be cleaned every two weeks; depending on indoor air quality, more frequent cleaning may be needed. A dirty air filter will decrease airflow and reduce efficiency.

Do not operate the air conditioner without the air filter in place.

- 1 Grasp the grip which is in the center and on the top of the filter and pull out the filter directly.



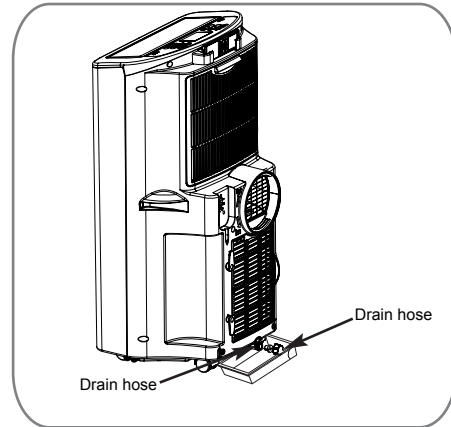
- 2 Use a vacuum cleaner to clean the filter. If the filter is heavily soiled, it can be washed in warm water using a mild detergent. **Do not use harsh cleaners or very hot water. Do not wash in a dish asher**
- 3 Allow the filter to dry completely before reinstalling.
- 4 Reinsert the filter, making sure that the bottom of the filter is between the tabs and the coil guard. Reinstall the filter cover, making sure it clips into place.

EMPTYING THE WATER COLLECTION TANK

Using the bottom drain port

When the internal water collection tank is full, FL will appear in the display and the air conditioner will turn off until the tank is emptied.

- 1 Unplug the air conditioner, disconnect the exhaust hose from the back, and move the air conditioner to a suitable drain location or outdoors. You may also place a pan under the drain that will hold up to 1 quart of water.
- 2 Remove the drain cap and the rubber plug from the drain outlet.
- 3 Once the water collection tank is drained, reinstall the rubber plug and the drain cap, making sure it is on securely.
- 4 Place the air conditioner in the desired location, reconnect the exhaust hose, and plug in the air conditioner.
- 5 When need dehumidification in high humidity
- 6 Under the Cool or Fan mode, there`s no need of water drainage
- 7 During dehumidifying mode, remove the drain plug and the exhaust hose from the back of the unit.
- 8 Install a drain hose (ϕ 10mm inner dimension) and place the open end of the hose a suitable drain location or outdoors.



Note: If the water full alarm is often on, there may be some malfunction about the unit. Contact the professional service for help.

NOTICE *FL apperars in the display*

The water collection tank is full, drain the tank and reset your setting.

NOTES:

- When turned on after being unplugged, the air conditioner will automatically reset to COOL mode, with a temperature setting of 72°F (22°C)

CARE AND CLEARING

STORING THE AIR CONDITIONER

If the air conditioner will not be used for an extended period of time:

- 1 Drain the water collection tank completely and leave the bottom drain cap and rubber plug long enough to allow any residual water to drain out. Once the tank is completely drained and no more water flows out, reinstall the rubber plug and cap.
- 2 Remove and clean the filter, allow it to dry completely, then reinstall it.
- 3 Remove the batteries from the remote.
- 4 Store the air conditioner in a cool, dry location, away from direct sunlight, extreme temperatures, and excessive dust.

Before using the air conditioner again:

- 1 Make sure the filter and drain cap are in place.
- 2 Check the cord to make sure it is in good condition, with no cracks or damage.
- 3 Place new batteries in the remote.
- 4 Install the air conditioner as described in the Installation Instructions.

TROUBLESHOOTING

BEFORE CALLING FOR SERVICE

Before you call for service, review this list. It may save you time and expense. This list includes common occurrences that are not the result of a defect in workmanship or materials.

Problem	Possible Causes	Solutions
Air conditioner will not start	<ul style="list-style-type: none"> • The air conditioner plug is not completely inserted in the electrical outlet. • The house fuse is blown or the circuit breaker has tripped. • Power failure. • The integrated circuit breaker in the plug has tripped. • FL appears in the display. • Room temperature is less than the set temperature. 	<ul style="list-style-type: none"> • Make sure electrical plug is plugged completely into a live, properly grounded outlet. • Replace the fuse or reset the circuit breaker. Make sure that there are no other appliances on the same circuit. • If a power failure occurs, turn the power OFF. When power is restored, wait 3 minutes before restarting the air conditioner. • Press the RESET button on the air conditioner plug. If the reset button will not stay engaged, unplug the air conditioner and contact a qualified service technician. • The water collection tank is full. Drain the tank and reset your settings. See the Care and Cleaning section. • This is normal. The air conditioner automatically shuts off when the room equals or is less than the set temperature. Adjust the temperature setting, if needed.
Air conditioner does not cool properly	<ul style="list-style-type: none"> • Airflow is restricted. • The air filter is dirty. • The room is very hot, or not enough time allowed for cooling. • Cold air is escaping. • Cooling coils have iced up. 	<ul style="list-style-type: none"> • Make sure there is sufficient clearance around the air conditioner and that the air inlet and outlet are not blocked by furniture, curtains, etc. • Clean the air filter at least every two weeks. See the <i>Care and Cleaning</i> section. • When first turned on, allow the air conditioner sufficient time to cool the room. • Check for open furnace floor registers or cold air returns, or open windows or doors. • In especially hot, humid weather and when the air conditioner is running frequently or for extended periods, ice can form on the cooling coils, blocking air flow. Set the controls to High Fan (F3) or High Cool (F3), and set to a warmer temperature.
Air conditioner runs too often or too long	<ul style="list-style-type: none"> • Area to be cooled is too large for the air conditioner. • Doors or windows are open. 	<ul style="list-style-type: none"> • Consult your dealer for the air conditioner capacity necessary to cool the desired area. • Make sure doors and windows are closed.

TROUBLESHOOTING

BEFORE CALLING FOR SERVICE

Problem	Possible Causes	Solutions
Code appears in the display : F1, F2, or F3	<ul style="list-style-type: none">• Air conditioner is in FAN mode and the number shown is the set fan speed.	<ul style="list-style-type: none">• This is normal. The air conditioner is working properly.
FL	<ul style="list-style-type: none">• The water collection tank is full.	<ul style="list-style-type: none">• Empty the water collection tank. See the Care and Cleaning section.
CH01	<ul style="list-style-type: none">• Short or open circuit in the indoor air thermostat.	<ul style="list-style-type: none">• Unplug the air conditioner and contact your authorized LG service center.
CH02	<ul style="list-style-type: none">• Short or open circuit in the indoor pipe thermostat	<ul style="list-style-type: none">• Unplug the air conditioner and contact your authorized LG service center.

LG ELECTRONICS, INC.
PORTABLE AIR CONDITIONER LIMITED WARRANTY — USA



Should your LG Portable Air Conditioner prove to be defective in material or workmanship under normal use during the warranty period listed below, effective from the date of original consumer purchase of the product, LG Electronics will replace the defective part(s). Replacement parts will meet intended fit and function of the original part. Replacement parts are warranted for the unexpired portion of the original warranty period. This limited warranty is good only to the original purchaser of the product and effective only when used in the United States of America.

<p><u>WARRANTY PERIOD:</u></p> <p>Labor: 1 Year from the Date of Purchase.</p> <p>Parts: 1 Year from the Date of Purchase.</p> <p>Compressor: 5 Years from the Date of Purchase.</p>	<p><u>HOW SERVICE IS HANDLED:</u></p> <p>Call 1-800-243-0000 and choose the appropriate prompt. Please have product type (Portable Air Conditioner), model number, serial number, and ZIP code ready.</p> <p>The warranted labor covers the cost of In-Home Service on all parts including the compressor.</p>
--	--

No other warranty is applicable to this product. THIS WARRANTY IS IN LIEU OF ANY OTHER WARRANTY, EXPRESS OR IMPLIED, INCLUDING WITHOUT LIMITATION, ANY WARRANTY OF MERCHANTABILITY OR FITNESS FOR A PARTICULAR PURPOSE. TO THE EXTENT ANY IMPLIED WARRANTY IS REQUIRED BY LAW, IT IS LIMITED IN DURATION TO THE EXPRESS WARRANTY PERIOD ABOVE. NEITHER THE MANUFACTURER NOR ITS U.S. DISTRIBUTOR SHALL BE LIABLE FOR ANY INCIDENTAL, CONSEQUENTIAL, INDIRECT, SPECIAL, OR PUNITIVE DAMAGES OF ANY NATURE, INCLUDING WITHOUT LIMITATION, LOST REVENUES OR PROFITS, OR ANY OTHER DAMAGE WHETHER BASED IN CONTRACT, TORT, OR OTHERWISE. Some states and/or territories do not allow the exclusion or limitation of incidental or consequential damages or limitations on how long an implied warranty lasts, so the above exclusion or limitation may not apply to you. This warranty gives you, the original purchaser, specific legal rights and you may also have other rights that vary from state to state or territory to territory.

THIS LIMITED WARRANTY DOES NOT APPLY TO:

1. Service calls to your home for delivery or pick-up, installation, instruction, replacement of house fuses, connection of house wiring or plumbing, or to correct unauthorized repairs.
 2. Failure of product to perform during power failures and interruptions or inadequate electrical service.
 3. Damage caused by transportation or handling.
 4. Damage caused to the product by accident, vermin, lightning, winds, fire, floods, or acts of God.
 5. Damages caused by leaky or broken water pipes, frozen water pipes, restricted drain lines, or inadequate or interrupted water supply.
 6. Damages caused by inadequate supply of air.
 7. Damages caused by operating the product in a corrosive atmosphere.
 8. Repairs when your LG product is used in other than normal, single-family household use or contrary to the instructions described in the product User's Guide.
 9. Damage resulting from accident, alteration, misuse, abuse, or improper installation, repair, or maintenance. Improper repair includes the use of parts not approved or specified by LG.
 10. Normal maintenance as described in the User's Guide, such as cleaning or replacing filters, cleaning coils, etc.
 11. Use of accessories or components that are not compatible with this product.
 12. Products with altered or removed serial numbers.
 13. Changes in the appearance of the product that do not affect product performance.
 14. Increases in utility costs and additional utility expenses.
- The cost of repair or replacement under these excluded circumstances shall be borne by the consumer.**

TO CONTACT LG ELECTRONICS BY MAIL:

LG Customer Interactive Center
P. O. Box 240007
201 James Record Road
Huntsville, Alabama 35824
ATTN: CIC

Product Registration Information

Model Number: _____

Serial Number: _____

You can find these numbers on a label on the side of the air conditioner.

Date of Purchase: _____

Dealer's Name: _____

English

INTRODUCCIÓN

INSTRUCCIONES DE SEGURIDAD IMPORTANTES

Precauciones básicas de seguridad N	26, 27
Seguridad eléctrica	27, 28

PIEZAS Y CARACTERÍSTICAS

Piezas y componentes clave	29
Panel de control y control remoto	30

CÓMO UTILIZAR EL ARTEFACTO

Antes de utilizar su acondicionador de aire	31, 32
Cómo usar los controles	33

INSTRUCCIONES DE INSTALACIÓN

Preparación para la instalación	36
Panel de ventilación y extensiones de la ventana	37
Instalación en ventanas de deslizamiento vertical	39
Instalación en ventanas de deslizamiento horizontal	40, 41

CUIDADO Y LIMPIEZA

Cómo limpiar la cubierta	42
Cómo limpiar el filtro de aire	42
Cómo vaciar el tanque de recolección de agua	43
Cómo guardar el acondicionador de aire	44

DETECCIÓN DE PROBLEMAS

Antes de llamar al servicio técnico	45, 46
---	--------

GARANTÍA

Información sobre registro de producto	47
--	----

¡GRACIAS!

Felicitaciones por su compra y bienvenido a la familia de LG. Su nuevo acondicionador de aire LG combina un funcionamiento de alta eficiencia con la comodidad de la portabilidad. Siguiendo las instrucciones de funcionamiento y cuidados de este manual, su acondicionador de aire le brindará muchos años de servicio confiable.

INSTRUCCIONES DE SEGURIDAD IMPORTANTES

LEA TODAS LAS INSTRUCCIONES ANTES DE USAR

Su seguridad y la seguridad de otros son muy importantes.

Hemos incluido muchos mensajes de seguridad importantes en este manual y en su artefacto. Siempre lea y obedezca todos los mensajes de seguridad.



Este es el símbolo de alerta de seguridad.

Este símbolo lo alerta sobre peligros potenciales que pueden matarlo a lastimarlo a usted o a otros.

Todos los mensajes de seguridad se encontrarán después de los símbolos de alerta de seguridad y de las palabras "ADVERTENCIA" O "PRECAUCIÓN". Estas palabras significan:

⚠ ADVERTENCIA Este símbolo indica la posibilidad de muerte o lesiones graves.

⚠ PRECAUCIÓN Este símbolo indica la posibilidad de lesiones o daños a la propiedad.

PRECAUCIONES BÁSICAS DE SEGURIDAD

⚠ ADVERTENCIA Para reducir el riesgo de incendio, descarga eléctrica o lesiones personales al usar este artefacto, siga las precauciones básicas, incluyendo las siguientes:

- No intente reparar o cambiar ninguna pieza de su acondicionador de aire a menos que esté específicamente recomendado en este manual. Cualquier otro servicio debe realizarlo un técnico calificado.
- Si el cable de energía se gasta o daña, sólo un técnico calificado puede cambiarlo, utilizando piezas de repuesto genuinas.
- El aire acondicionado debe enchufarse en su propio circuito de 15A, 60 Hz., 120 VAC con conexión a tierra.
- No enchufe otros artefactos en el mismo tomacorriente ya que puede sobrecargar el circuito y provocar un incendio o descarga eléctrica.
- No quite la pata redonda de conexión a tierra del enchufe. Puede provocar un riesgo de descarga eléctrica.
- El acondicionador de aire no está diseñado para que lo usen niños pequeños. Los niños pequeños deben estar siempre bajo control para asegurar que no jueguen o se cuelguen del acondicionador de aire.
- Asegúrese de quitar todos los materiales de empaque del acondicionador de aire antes de usarlo. Puede provocar lesiones personales.
- No desarme o modifique el acondicionador de aire o el cable de energía. Puede provocar un riesgo de descarga eléctrica o incendio.
- No coloque el cable de energía o acondicionador de aire cerca de un calentador, radiador, u otra fuente de calor. Puede provocar un riesgo de descarga eléctrica o incendio.
- No use este u otro artefacto cerca de gases o líquidos inflamables u otros combustibles, tales como gasolina, benceno, solvente, etc. Puede provocar un riesgo de descarga eléctrica o incendio.
- Verifique que el cable de energía esté enchufado firmemente y por completo en el tomacorriente. Puede provocar un riesgo de descarga eléctrica o incendio.
- No inicie o detenga el funcionamiento enchufando o desenchufando el cable de energía. Puede provocar un riesgo de descarga eléctrica.
- Si el acondicionador de aire está haciendo sonidos inusuales o está emitiendo humo u olor poco común, desenchúfelo de inmediato. Puede provocar un riesgo de descarga eléctrica o incendio.
- No lo use si el tomacorriente está suelto o dañado. Puede provocar un riesgo de descarga eléctrica o incendio.
- No lo opere con manos mojadas o en un medio húmedo. Puede provocar un riesgo de descarga eléctrica.
- No utilice este u otro artefacto eléctrico si huele gas. Puede provocar un riesgo de incendio o explosión.
- Apague y desenchufe el acondicionador de aire antes de limpiarlo para evitar el riesgo de una descarga eléctrica.
- No limpie la unidad con agua. El agua puede ingresar a la unidad y dañar la aislación, creando así un peligro de descarga eléctrica. Si ingresa agua a la unidad, desenchúfela de inmediato y comuníquese con el Servicio de atención al cliente. Puede provocar un riesgo de descarga eléctrica.
- Utilice dos o más personas para levantar e instalar la unidad. No hacerlo puede provocar lesiones en la espalda u otras lesiones.

INSTRUCCIONES DE SEGURIDAD IMPORTANTES

LEA TODAS LAS INSTRUCCIONES ANTES DE USAR

PRECAUCIONES BÁSICAS DE SEGURIDAD

⚠ PRECAUCIÓN Para reducir el riesgo de incendio, descarga eléctrica o lesiones a personas cuando utilice este artefacto, deben seguirse precauciones básicas de seguridad, incluyendo las siguientes:

- Para evitar posibles cortes, evite el contacto con las piezas metálicas del acondicionador de aire cuando quite o vuelva a instalar el filtro. Puede provocar un riesgo de lesiones personales.
- No bloquee la toma o salida de aire del acondicionador de aire. Una corriente de aire reducida provocará un desempeño pobre y podría dañar la unidad.
- Siempre tome el enchufe cuando enchufe o desenchufe el acondicionador de aire. Nunca desenchufe tirando del cable. Puede provocar un riesgo de descarga eléctrica y daños.
- Siempre apague y desenchufe el acondicionador de aire cuando no vaya a utilizarlo por períodos extensos. Esto conserva la energía y reduce la posibilidad de accidentes.
- Ajuste las ruedas con trabas para evitar que el acondicionador de aire se deslice en pisos lisos.
- Instale el acondicionador de aire sobre un piso resistente y nivelado que pueda soportar hasta 110 lbs (50 kg). La instalación sobre un piso débil o desparejo puede provocar un riesgo para la propiedad y lesiones personales.
- Verifique que el acondicionador de aire sea del tamaño adecuado para el área que desea enfriar. Usar un acondicionador de aire de un tamaño incorrecto puede malgastar energía y dañar el artefacto.
- Cierre todas las puertas y ventanas de la habitación para una operación más efectiva.
- Para evitar daños al acabado de la superficie, utilice sólo un paño suave para limpiar el acondicionador de aire. No utilice cera, solvente, o un detergente fuerte.
- Para evitar derrames y daños a la propiedad, asegúrese de drenar el acondicionador de aire correctamente.
- Para evitar que las serpentinas se congelen, no opere el acondicionador de aire si la temperatura de la habitación se encuentra por debajo de 60°F (16°C). (FRESCO 16°C~40°C, CACEFACCIÓN 5°C~27°C)
- No coloque el acondicionador de aire de modo de exponer mascotas o plantas domésticas a la corriente directa de aire. Puede provocar un riesgo de lesión para mascotas o plantas domésticas.
- Este acondicionador de aire está diseñado para un uso doméstico normal. No lo use para enfriar mascotas, alimentos, maquinaria de precisión u objetos de arte.
- No beba el agua del depósito de drenaje. Elimínela en el exterior o en el desagüe.
- No opere el acondicionador de aire sin el filtro en su lugar. El funcionamiento sin el filtro puede dañar la unidad.
- Limpie el filtro cada dos semanas, o más a menudo si hiciera falta.
- Si el líquido de las pilas alcanzara su boca, cepille sus dientes y consulte a un médico. No utilice el mando a distancia si las pilas han experimentado fugas. Los productos químicos de las pilas pueden ocasionar quemaduras u otros peligros para la salud.
- Si el líquido de las pilas entra en contacto con su piel o ropas, lávese bien con agua limpia. No utilice el mando a distancia si las pilas han experimentado fugas. Los productos químicos de las pilas pueden ocasionar quemaduras u otros peligros para la salud.

SEGURIDAD ELÉCTRICA

⚠ ADVERTENCIA

Peligro de descarga eléctrica
No seguir estas instrucciones puede provocar la muerte, un incendio o una descarga eléctrica.

- Esta unidad debe contar con una adecuada conexión a tierra.
- Bajo ninguna circunstancia corte o quite la pata de conexión a tierra.
- Si no cuenta con un tomacorriente con una adecuada conexión, o si existe alguna duda sobre el mismo, un electricista calificado debe verificar el tomacorriente o el circuito, y si fuese necesario, instalar un tomacorriente con adecuada conexión.

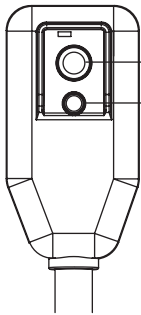
- Este acondicionador de aire debe conectarse en un tomacorriente con conexión a tierra de 60 Hz, 120 VAC protegido por un fusible de acción retardada de 15 amperes o un disyuntor.
- Este acondicionador de aire debe instalarse de acuerdo con los códigos nacionales de cableado.
- No altere o modifique el enchufe o cable de este acondicionador de aire. Si el cable de energía se gasta o daña, sólo un técnico calificado puede cambiarlo utilizando piezas de repuesto genuinas.
- No utilice un cable de extensión.

INSTRUCCIONES DE SEGURIDAD IMPORTANTES

LEA TODAS LAS INSTRUCCIONES ANTES DE USAR

SEGURIDAD ELÉCTRICA

DISYUNTOR INTEGRADO



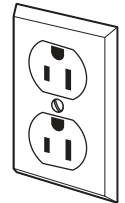
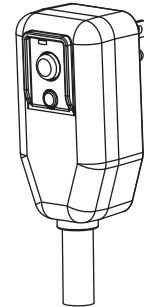
Reset
Test

Para seguridad adicional, el cable de energía cuenta con un disyuntor integrado. Los botones de prueba y de reconfiguración se encuentran en el enchufe.

El disyuntor debe probarse en forma periódica presionando el botón TEST (prueba) y

luego el botón RESET (reconfiguración). Si el botón TEST (prueba) no hacen saltar el disyuntor, o si el botón RESET (reconfiguración) no queda trabado, desenchufe el acondicionador de aire de inmediato y comuníquese con un técnico de LG.

MÉTODO DE CONEXIÓN A TIERRA PREFERIDO



Verifique que haya una conexión a tierra adecuada antes del uso.

Debido a peligros de seguridad potenciales, recomendamos enfáticamente no utilizar un enchufe adaptador.

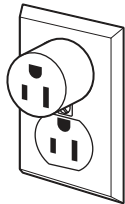
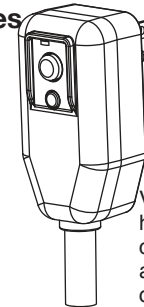
Para conexiones temporales, use solo un adaptador listado UL. Verifique que la ranura grande del adaptador esté alineada con la ranura grande del tomacorriente.

Para evitar daños a la terminal de la conexión a tierra del adaptador, sostenga el adaptador en su lugar mientras enchufa o desenchufa el acondicionador de aire.

- **Conectar la terminal de la conexión a tierra del adaptador al tornillo de la tapa del tomacorriente de pared no conectará el artefacto a tierra a menos que el tornillo sea de metal y no aislado, y el tomacorriente de pared esté conectado a tierra a través del cableado doméstico.**

MÉTODO DE CONEXIÓN A TIERRA TEMPORAL

(El uso de enchufes adaptadores no está permitido en Canadá)



Verifique que haya una conexión a tierra adecuada antes del uso.

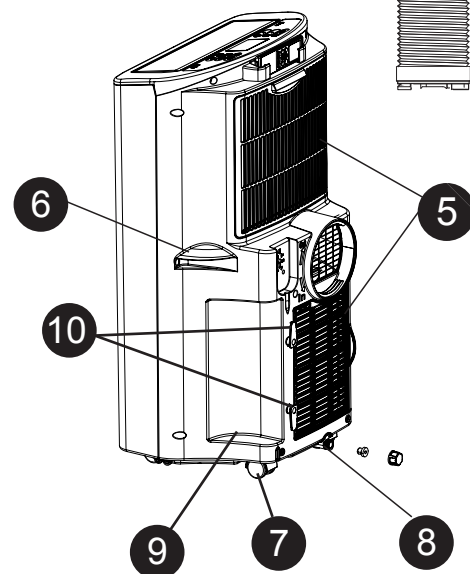
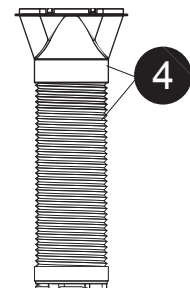
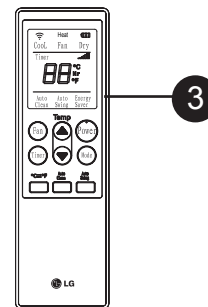
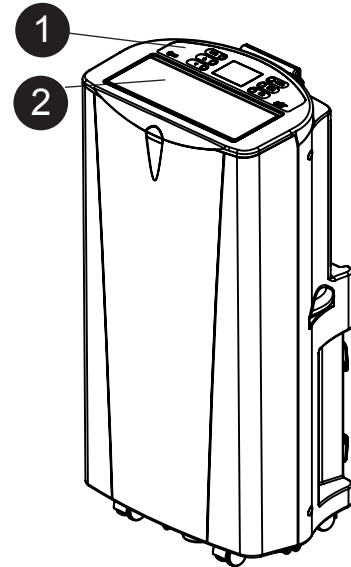
- **Una conexión y desconexión frecuente pueden dañar la terminal de tierra del adaptador. Nunca utilice un adaptador roto o dañado.**

GUARDE ESTAS INSTRUCCIONES

PIEZAS Y CARACTERÍSTICAS

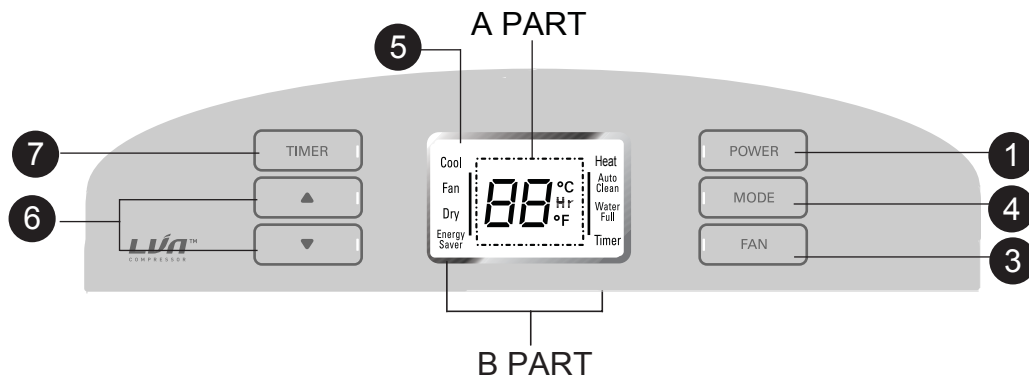
PIEZAS Y COMPONENTES CLAVE

- 1 PANEL DE CONTROL Y PANTALLA**
La pantalla digital de fácil lectura muestra la temperatura configurada y las luces indicadoras indican el modo de funcionamiento. Los simples botones de presión facilitan y aceleran los cambios de configuración.
- 2 SALIDA DE AIRE MOTORIZADA**
La salida de aire ajustable con rejillas se abre automáticamente cuando se enciende el acondicionador de aire, y se cierra cuando se lo apaga. También puede configurarse para oscilar y así distribuir el aire de manera más pareja en toda la habitación.
- 3 CONTROL REMOTO INFRARROJO**
El control remoto le permite ajustar la temperatura y manejar la mayoría de las funciones del acondicionador de aire desde lejos.
- 4 MANGUERA Y DIFUSOR**
Utilice el difusor y la manguera para conectar el acondicionador de aire al equipo de instalación de la ventana para enviar el aire de salida hacia fuera.
- 5 FILTRO**
Puede sacar e insertar el filtro con facilidad.
- 6 TIRADORES**
Los tiradores proporcionarán un agarre cómodo cuando se levanta el aire acondicionado.
- 7 RUEDAS GIRATORIAS**
Las ruedas giratorias le permiten desplazar el acondicionador de aire fácilmente sobre la mayoría de las superficies.
- 8 PUERTO INFERIOR DE DRENAJE**
Antes de desplazar la unidad, drene completamente el depósito interno de recogida de agua mediante el puerto inferior de drenaje.
- 9 VENTILADORES DE MÚLTIPLES VELOCIDADES**
El acondicionador de aire cuenta con dos ventiladores de múltiples velocidades: Un ventilador de circulación para desplazar el aire dentro de la habitación, y un ventilador de salida para enviar el aire caliente hacia afuera a través de la manguera y el difusor.
- 10 SOPORTE DEL CABLE DE ALIMENTACIÓN**
Enrolle el cable de alimentación alrededor del soporte, para su comodidad.



PIEZAS Y CARACTERÍSTICAS

PANEL DE CONTROL Y CONTROL REMOTO



El uso de funciones es el mismo cuando utilice el control remoto o el panel de control, a menos que se indique lo contrario.

Para instrucciones detalladas de cada función, lea las páginas siguientes.

1 **POWER ON/OFF(encendido/apagado)**

Enciende y apaga el acondicionador de aire. Al encenderse, se oirá una señal sonora ascendente para confirmar. Al apagar, se oirá una señal sonora descendente.

2 **AUTO CLEAN(autolimpieza)**

La función de AUTOLIMPIEZA sirve para eliminar la humedad del intercambiador de calor y ayudar a prevenir la formación de olor. Esta función se puede activar solamente desde el Remoto.

3 **FAN SPEED(velocidad del ventilador)**

Ajusta la velocidad del ventilador de circulación entre baja (F1), media (F2), y alta (F3).

4 **MODE(modos)**

El interruptor del aire acondicionado tiene modos de FRESCO, VENTILACIÓN, SEQUEDAD, AHORRO DE ENERGÍA Y CALEFACCIÓN. El modo activo se mostrará en la pantalla LCD.

5 **PANTALLA LCD**

A PART muestra la temperatura establecida (°C o °F), la velocidad del ventilador, o el retardo seleccionado del TEMPORIZADOR.

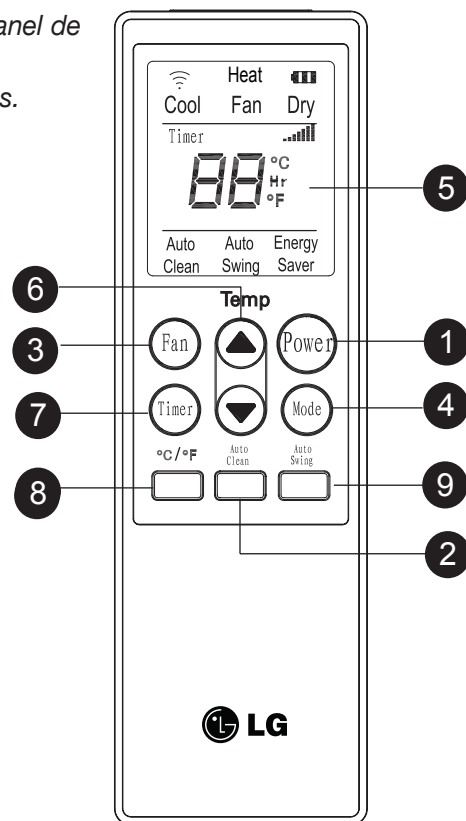
B PART muestra el modo activo (FRESCO, VENTILACIÓN, SEQUEDAD, AHORRO DE ENERGÍA Y CALEFACCIÓN), Auto limpieza, Agua Llena y Temporizador.

6 **▲ / ▼ (TEMP/TIMER) (temperatura/ temporizador)**

Utilice estos botones para subir o bajar la temperatura configurada o para configurar la programación del temporizador.

7 **TEMPORIZADOR**

Le permite establecer un retraso de 1 a 24 horas, por eso el aire acondicionado se encenderá o se apagará de forma automática.



8 **°C=°F**

Utilice este botón, y la muestra de temperatura se puede cambiar entre grados Celsius (°C) y Fahrenheit (°F).

9 **AUTO SWING(balanceo automático)**

Hace que la salida de aire motorizada oscile, mejorando así la circulación de aire dentro de la habitación. Esta función sólo puede activarse desde el control remoto.

CÓMO UTILIZAR EL ARTEFACTO

ANTES DE UTILIZAR EL ACONDICIONADOR DE AIRE

PREPARACIÓN PARA LA OPERACIÓN

Lea las Instrucciones de instalación incluidas en este manual antes de usar el acondicionador de aire.

Una vez que el acondicionador de aire se ha montado e instalado correctamente:

- 1 Enchufe el cable de energía en un tomacorriente de uso exclusivo con adecuada conexión a tierra. Escuchará una señal sonora que confirma que el acondicionador está enchufado. No enchufe otros artefactos en el mismo tomacorriente, ya que podría sobrecargarlo y generar un peligro de incendio.
- 2 Asegúrese de que el acondicionador de aire y el cable estén ubicados en un lugar donde nadie pueda tropezarse y donde reciban una ventilación adecuada. No lo coloque directamente al lado de muebles u objetos que podría bloquear las aberturas de ventilación.
- 3 Verifique que los elementos que podrían volarse o dañarse por la corriente de aire proveniente del ventilador no se encuentren en el camino de la corriente.

IMPORTANTE:

- No permanezca frente a la corriente de aire del acondicionador de aire por períodos largos.
- Para evitar el daño o lesión a mascotas o plantas, constate que no estén expuestos a la corriente directa del acondicionador de aire.
- Cuando lo use al mismo tiempo con cocinas, chimeneas, u otros dispositivos de combustión, asegúrese de que haya una suficiente corriente de aire fresco en la habitación. **No** lo use en espacios muy cerrados con esta clase de dispositivos.
- Este acondicionador de aire es para uso doméstico como un artefacto de confort para el consumidor. **No** lo use como un sistema de control preciso de clima, o para enfriar equipamientos de precisión, alimentos, mascotas, plantas, obras de arte, etc. Dichos elementos podrían dañarse.
- No doble el tubo flexible hacia abajo si no dispone del conjunto de instalación de la ventana. Se puede dañar el sistema de aire acondicionado o se puede deteriorar su funcionamiento.

CÓMO DESEMPACAR EL ACONDICIONADOR DE AIRE

Quite y guarde los materiales de empaque para volverlos a usar.

Quite la cinta de embalaje antes de usar el acondicionador de aire. Si la cinta deja restos de adhesivo, frote una pequeña cantidad de jabón líquido y limpie con un paño húmedo. **NO USE** instrumentos afilados, alcohol, solventes, o limpiadores abrasivos para quitar el adhesivo. Podrían arruinar el acabado.

CÓMO UTILIZAR EL ARTEFACTO

ANTES DE UTILIZAR EL ACONDICIONADOR DE AIRE

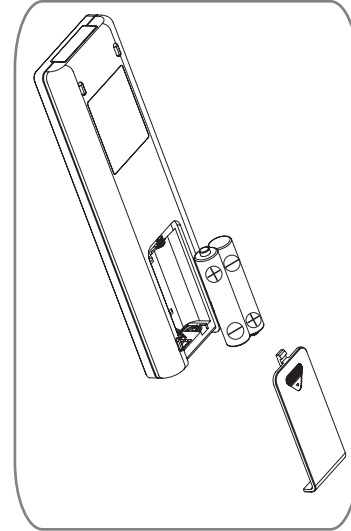
CÓMO COLOCAR LAS BATERÍAS EN EL CONTROL REMOTO

Antes de usar el control remoto, instale las baterías AAA provistas:

- 1 Presione la lengüeta de bloqueo de la tapa de las baterías en la parte trasera del control remoto y quite la tapa.
- 2 Introduzca dos baterías alcalinas nuevas AAA en el compartimento de las baterías, asegurando de utilizar la polaridad correcta.
- 3 Vuelva a colocar la tapa de las baterías, verificando que la lengüeta queda trabada en su lugar.

NOTAS:

- Sólo use baterías alcalinas. No utilice baterías recargables.
- Al cambiar las baterías, siempre reemplácelas con unidades nuevas. No mezcle baterías usadas con nuevas.
- Si el acondicionador de aire no será utilizado por un período prolongado, quite las baterías del control remoto.



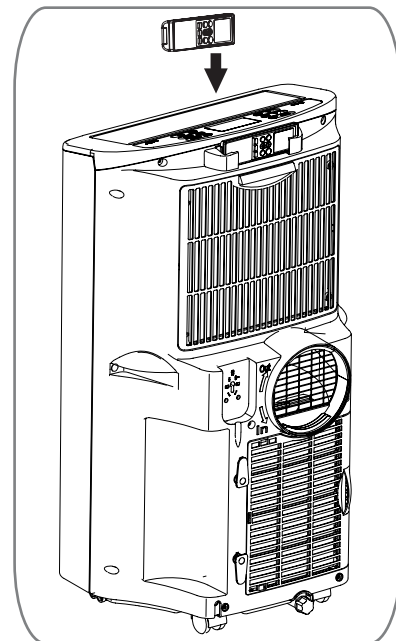
ALMACENAMIENTO del REMOTO

Su aire acondicionado tiene un lugar especial para un almacenamiento cómodo del control remoto.

Véase la ilustración derecha.

NOTA:

Con el fin de evitar la pérdida del control remoto, por favor, pongalo dentro de la cajita de almacenamiento cuando no lo usa.



⚠ PRECAUCIÓN

- Si entra líquido de las pilas en contacto con la piel o ropa, lávela inmediatamente con agua. No utilice el control remoto si las pilas tienen fugas.
- Si el líquido de las pilas alcanzara su boca, cepille sus dientes y consulte a un médico. Los productos químicos de las pilas podrían causar quemaduras u otros perjuicios a la salud.

CÓMO UTILIZAR EL ARTEFACTO

CÓMO USAR LOS CONTROLES

A continuación pueden verse los botones del panel de control. La operación con el control remoto es la misma, a menos que se especifique lo contrario. **NOTA:** El sensor remoto se encuentra debajo de la descarga de aire y de arriba del panel frontal.

POWER (encendido)

Presione el botón POWER para encender (ON) o apagar (OFF) el acondicionador de aire. Al encender el acondicionador de aire, se oír una señal sonora ascendente y la pantalla mostrará la temperatura configurada e indicadores de configuración de modos especiales. La salida de aire ubicada en el frente del acondicionador de aire se abrirá automáticamente.

Al apagar el acondicionador de aire, se oír una señal sonora descendente y la salida de aire ubicada en el frente del artefacto se cerrará.

Cuando se apague el acondicionador de aire, las configuraciones del control tales como Modo, Temperatura, Balanceo automático, etc., se conservarán en la memoria.

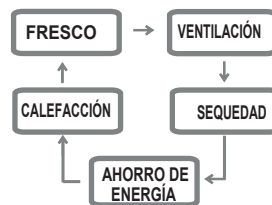
NOTA: Cuando se encienda después de estar desenchufado, el acondicionador de aire volverá a configurarse en el modo COOL (frío), con una temperatura de 72°F. Cualquier clase de configuración deberá volver a ingresarse.

Siempre apunte el control remoto al sensor. El control remoto puede no funcionar si el sensor se encuentra cerca de luces brillantes o si el camino entre el control remoto y el sensor está bloqueado.

MODE (modo)

Apriete el botón MODO para elegir el modo de funcionamiento (FRESCO, VENTILACIÓN, SEQUEDAD AHORRO DE ENERGÍA Y CALEFACCIÓN) por el aire acondicionado. Y usted puede ver el modo activo a través de la Pantalla LCD.

El valor pre-establecido es FRESCO. Marque el botón MODO para cambiar al modo de VENTILACIÓN, y hagalo una otra vez para cambiar al SECO, una vez más para cambiar al AHORRO DE ENERGÍA, una vez más para cambiar al CALEFACCIÓN, y de nuevo para volver al FRESCO.



Mode Features	
FRESCO (CALEFACCIÓN)	El compresor funciona y enfría la habitación. Use los botones TEMP/TIMER ▲ / ▼ y FAN (ventilador) para configurar la temperatura deseada y la velocidad de circulación del ventilador.
VENTILACIÓN	El ventilador hace circular el aire pero el compresor no funciona. Utilice el botón FAN (ventilador) para configurar la velocidad deseada del ventilador.
SEQUEDAD	El modo seco se utiliza para remover humedad de la habitación sin frío adicional. Una vez que se ha alcanzado la temperatura configurada, el compresor y ventilador de circulación se apagan y sólo el ventilador de salida funcionarán. La velocidad del ventilador está pre-programada y no puede modificarse.
AHORRO DE ENERGÍA	Bajo la operación normal, el ventilador de escape se enciende y se apaga de acuerdo con el compresor, y el ventilador de circulación funciona a la velocidad establecida. El modo ayuda a reducir el consumo de energía a través de apagarse automáticamente el ventilador de circulación y también el de escape cuando el compresor está apagado. El aire acondicionado funcionará automáticamente ambos ventiladores encendidos y apagados de acuerdo con el compresor por la necesidad del enfriamiento.

CÓMO UTILIZAR EL ARTEFACTO

CÓMO USAR LOS CONTROLES

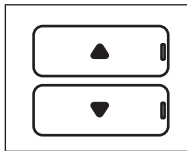
FAN SPEED (velocidad del ventilador)

Presionando el botón **FAN SPEED** la velocidad del ventilador de circulación pasa de baja (F1) a media (F2) a alta (F3). En la pantalla podrá verse la velocidad de ventilador seleccionada. La función puede utilizarse en los modos COOL (frío) o FAN (ventilador). Cuando se cambian las velocidades del ventilador, se produce una pequeña demora antes de que el motor las modifique.



TEMP/TIMER ▲ / ▼ (temperatura/temporizador)

En los modos COOL (frío) y DRY (seco), los botones **TEMP/TIMER ▲ / ▼** modifican la temperatura desde 86°F hasta 60°F, en incrementos de un grado. La temperatura se mide en grados Fahrenheit. No puede cambiarse a grados Celsius.



Cuando se elige la función **TIMER** (temporizador), utilice los botones **TEMP/TIMER ▲ / ▼** (temperatura/temporizador) para ajustar el tiempo de demora de 1 a 24 horas, en incrementos de una hora.

Si presiona y sostiene los botones **TEMP/TIMER ▲ / ▼**, la temperatura configurada o tiempo se modificarán automáticamente después de unos segundos.

NOTA: La temperatura de la pantalla es la CONFIGURADA, **no** la temperatura de la habitación. En los modos COOL (frío) o DRY (seco) el termostato del acondicionador de aire hará funcionar al compresor hasta alcanzar la temperatura configurada, luego encenderá o apagará el compresor para mantener la temperatura configurada.

TIMER 1-24 Hr (temporizador 1-24 hs)

Cuando se elige la función **TIMER** (temporizador), se puede configurar el acondicionador de aire para que se encienda o apague automáticamente después de un tiempo de espera de hasta 24 horas. En la pantalla podrá verse **0**. Utilice los botones **TEMP/TIMER ▲ / ▼** (temperatura/temporizador) para ajustar el tiempo de espera de 1 a 24 horas, en incrementos de una hora.



Para establecer un modo del apagado de retraso, apriete el botón **TEMPORIZADOR** cuando el aire acondicionado está trabajando y marque los botones **▲ / ▼** (**TEMPERATURA / Temporizador**) para ajustar la demora. El air acondicionado se apagará automáticamente después de estar establecida ésta.

Para establecer un retraso automático, apriete el botón **TEMPORIZADOR** cuando el aire acondicionado está apagado y use los botones **▲ / ▼** (**TEMPERATURA / Temporizador**) para ajustar el tiempo de retraso.

La pantalla va a mostrar cuántas horas quedan hasta que la unidad se vaya a encender. El aire acondicionado va a encender automáticamente después de la demora establecida.

Si quiere usted conocer cuántas horas ha establecida, apriete el botón **Temporizador** y entonces puede ver el tiempo mostrado en la pantalla LCD. Si quiere cambiar el tiempo establecido, marque el botón **Temporizador** y ajústelo cuando el número está centellando. Para cancelar la función **Temporizador**, es una manera apretar el botón **Temporizador** y ajustar el número hasta "0" cuando el número está entrelando, y la misma función va a cancelarse en unos segundos.

Una mejor manera es apretar el botón **Temporizador** y hacerlo de nuevo cuando el número está aún entrelando.

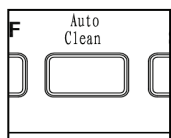
NOTA: No desenchufe el acondicionador de aire cuando utilice la función de temporizador.

CÓMO UTILIZAR EL ARTEFACTO

CÓMO USAR LOS CONTROLES

AUTO CLEAN(autolimpieza)

- Para encender la función de **AUTO CLEAN**, apriete el botón **AUTO CLEAN**, cuando el aire acondicionado está trabajando en modos de como **FRESCO**, **SECO** o **AHORRO** de **ENERGÍA**. Dicha función se selecciona sólo desde el panel.



Se debe establecer nuevamente cada vez cuando quiere usted lanzar la función de **AUTO CLEAN**.

AUTO CLEAN, sirve para eliminar la humedad de la bobina de intercambio de calor. Eso ayuda a prevenir la formación de mildiu y olores.

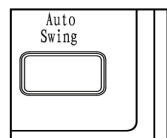
- 1 Para utilizar **AUTO CLEAN**
Al funcionar el aire acondicionado en modo de **FRESCO**, **SEQUEDAD**, **AHORRO** de **ENERGÍA**, o **CALEFACCIÓN** apriete el botón de **AUTO CLEAN**.
- 2 “**AUTO CLEAN**” se mostrará en la pantalla LCD.
Presione el botón **POWER** para apagar el acondicionador de aire. **AUTO CLEAN** hará funcionar los ventiladores de circulación y de salida con el compresor apagado durante unos minutos más.

Para cancelar **AUTO CLEAN**, o para detener un ciclo de **AUTO CLEAN** en marcha, simplemente presione el botón **AUTO CLEAN** de nuevo. La función **AUTO CLEAN** no se activará si el acondicionador de aire ya está apagado.

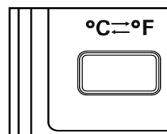
AUTO SWING(balanceo automático)

La función **AUTO SWING** solo puede activarse mediante el control remoto. Cuando esta función se encuentra activada, la salida de aire se balancea para hacer circular el aire de modo más parejo en toda la habitación. Pa apagar esta función, presione de nuevo el botón **AUTO SWING** mediante el control remoto. Esta configuración se conservará en la memoria, aún si se apaga el artefacto.

Con la función **AUTO SWING** apagada, también se puede ajustar manualmente la salida de aire en la posición deseada. Mantendrá esta posición hasta que el acondicionador de aire se apague o se active la función **AUTO SWING**.



°C=°F función sólo se activa con el control



remoto. Cuando la temperatura mostrada es °C (de °F), puede apretar el botón para cambiar el °F(o °C) .

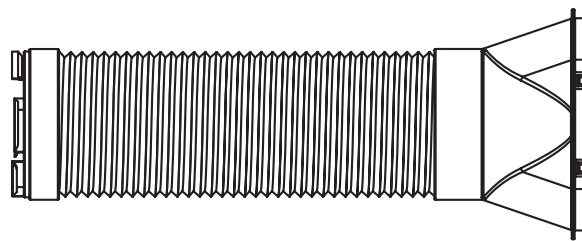
INSTRUCCIONES DE INSTALACIÓN

PREPARACIÓN PARA LA INSTALACIÓN

⚠ ADVERTENCIA ¡El acondicionador de aire es pesado! ¡Utilice dos o más personas para levantar e instalar la unidad! No hacerlo puede provocar lesiones en la espalda u otras lesiones.

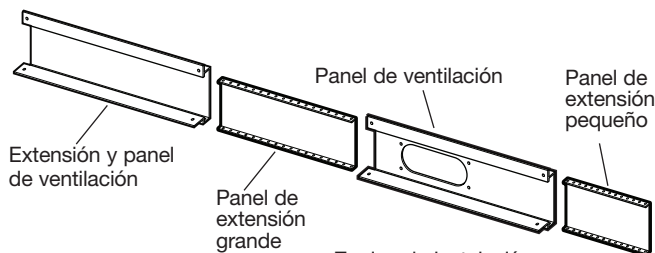
COMPONENTES DE SALIDA

Los siguientes componentes se usan para la ventilación de la ventana.
No todos los componentes se utilizan en todas las instalaciones.



Manguera flexible de ventilación

Difusor



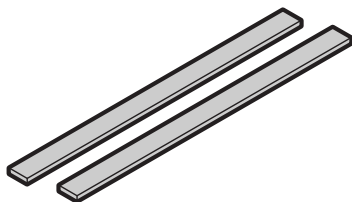
Extensión y panel de ventilación

Panel de extensión grande

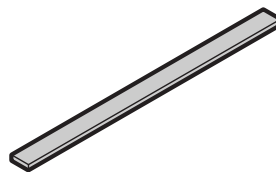
Panel de ventilación

Panel de extensión pequeño

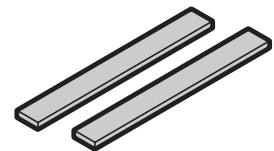
Equipo de instalación en ventanas (incluye 2 panel de ventilación para ventanas y 2 paneles de extensión)



2 selladores de espuma Tipo A (adhesivos)



1 sellador de espuma Tipo B (no adhesivos)



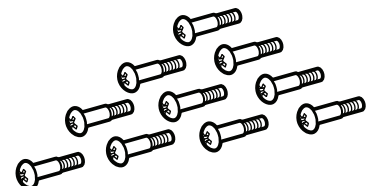
Sellante de espuma C 2EA (Tipo adhesivo-más corto)



Soporte de seguridad



4 tornillos Tipo A

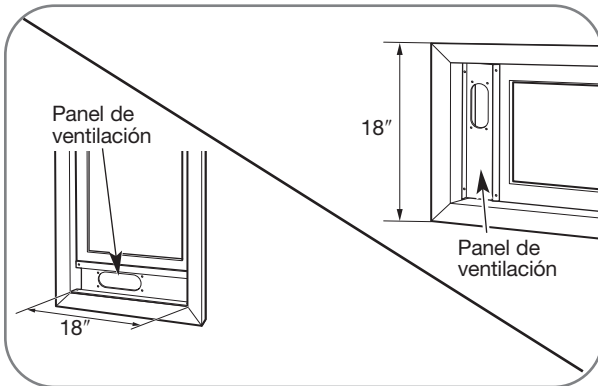


10 tornillos Tipo B

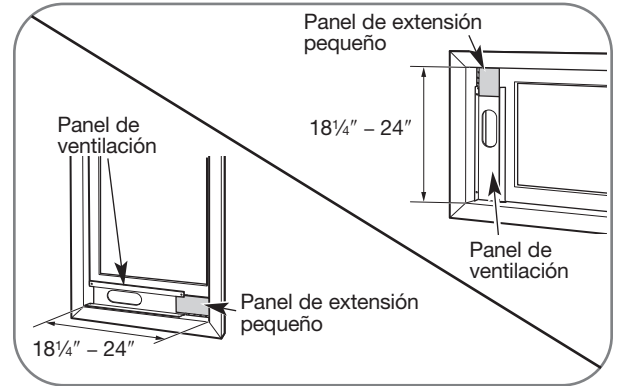
INSTRUCCIONES DE INSTALACIÓN

PANEL DE VENTILACIÓN Y EXTENSIONES DE LA VENTANA

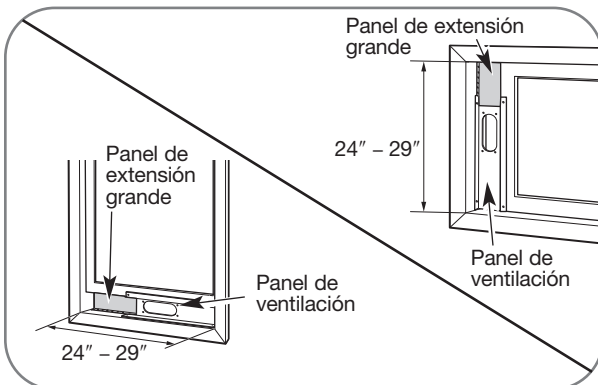
El equipo de instalación le permite instalar el acondicionador de aire en la mayoría de las ventanas de deslizamiento vertical de 18" a 48" de ancho, o ventanas deslizamiento horizontal de 18" a 48" de altura.



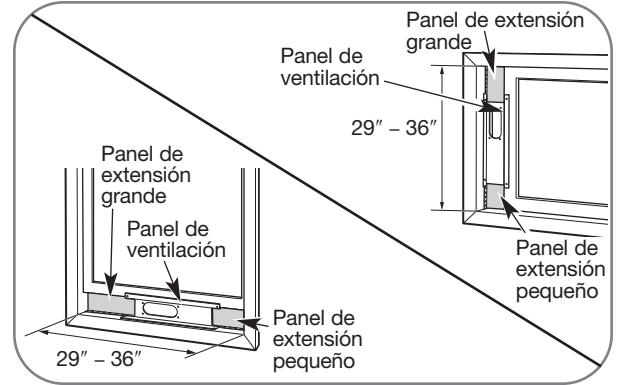
Para una abertura de ventana de 18", use el panel de ventilación solo.



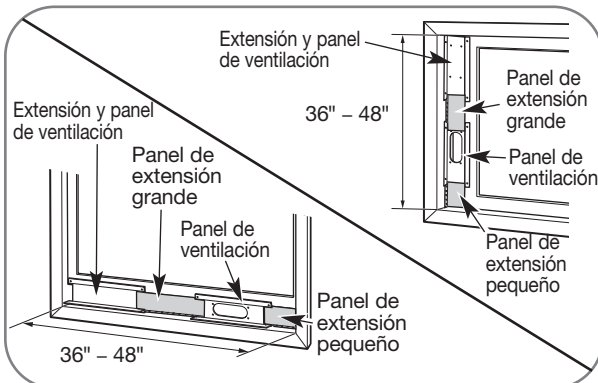
Para aberturas de ventana de 18 1/4" a 24", utilice el panel de ventilación y el panel de extensión pequeño.



Para aberturas de ventana de 24" a 29", utilice el panel de ventilación y el panel de extensión grande.



Para aberturas de ventana de 29" a 36", utilice el panel de ventilación y ambos paneles de extensión.

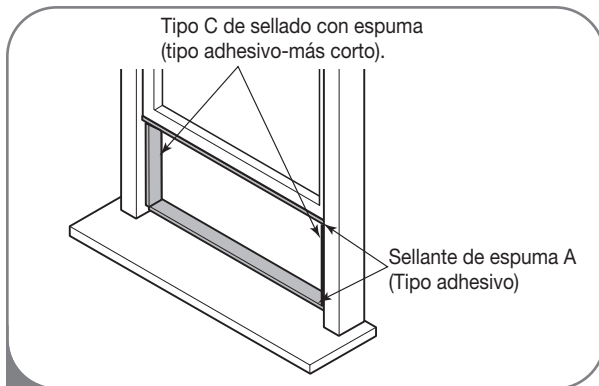


Para aberturas de ventana de 36" a 48", utilice el panel de ventilación y ambos paneles de extensión.

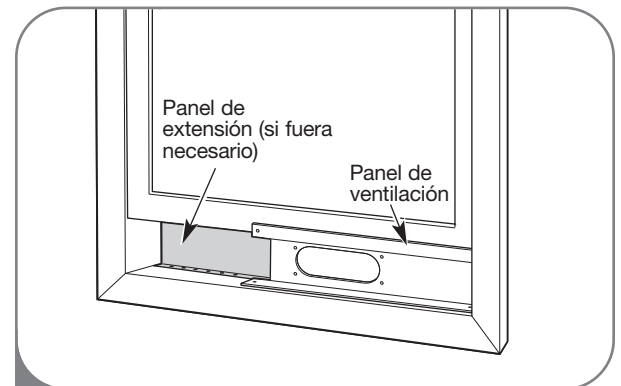
INSTRUCCIONES DE INSTALACIÓN

INSTALACIÓN EN VENTANAS DE DESLIZAMIENTO VERTICAL

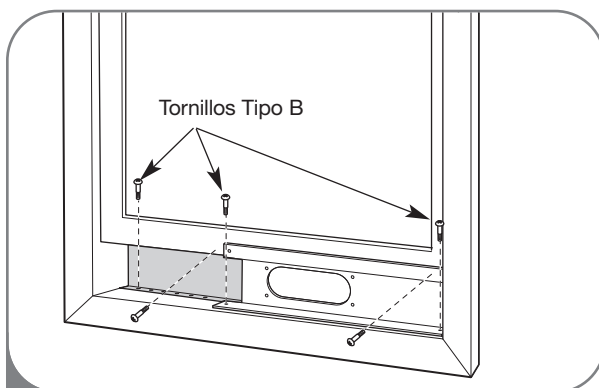
NOTA: El equipo de instalación en ventanas puede utilizarse con ventanas de deslizamiento vertical de un ancho de entre 18" y 48".



1 Corte la espuma A (tipo adhesivo) y C (tipo adhesivo-más corto) según la longitud adecuada, y colóquelo en la hoja y el marco de la ventana.



2 Introduzca el montaje de panel de ventilación, incluyendo los paneles de extensión, si fueran necesarios, en la abertura de la ventana. Extienda los paneles de extensión, si los está utilizando.



3 Baje la ventana con cuidado. Ajuste el panel de ventilación en su lugar con 4 tornillos tipo B, más un tornillo por cada extensión:

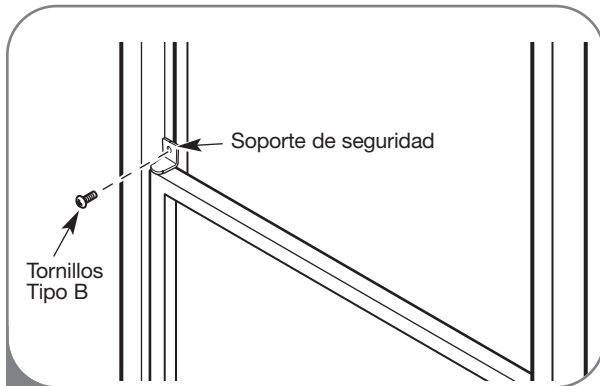
Sólo panel de ventilación:	4 tornillos Tipo B
Panel de ventilación y una extensión:	5 tornillos Tipo B
Panel de ventilación y dos extensiones:	6 tornillos Tipo B
Dos paneles de ventilación y dos extensiones:	9 tornillos Tipo B



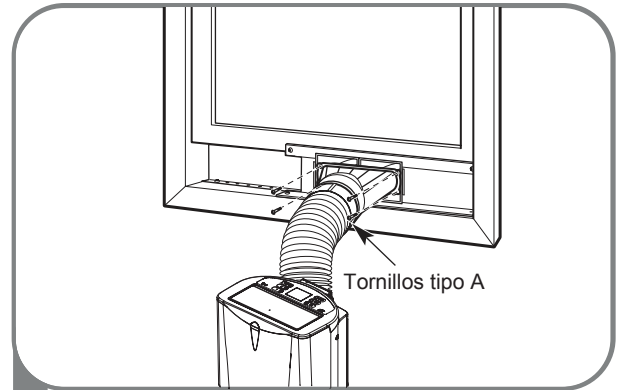
4 Corte la espuma B (tipo no adhesivo) según el ancho de la ventana. Rellene con la espuma B la separación existente entre el cristal y la ventana a fin de prevenir la entrada de aire o insectos en la habitación.

INSTRUCCIONES DE INSTALACIÓN

INSTALACIÓN EN VENTANAS DE DESLIZAMIENTO VERTICAL



- 5** Instale el soporte de seguridad con un tornillo tipo B, como puede verse.

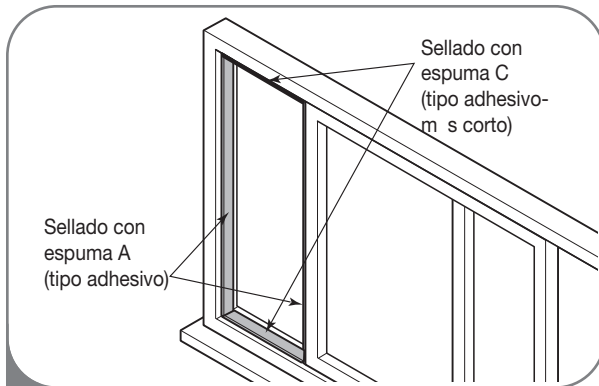


- 6** Introduzca el extremo oval del difusor dentro del equipo de instalación en ventanas hasta que las lengüetas queden trabadas.

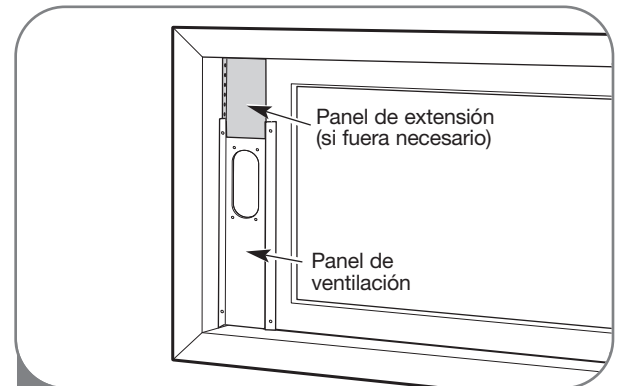
INSTRUCCIONES DE INSTALACIÓN

INSTALACIÓN EN VENTANAS DE DESLIZAMIENTO HORIZONTAL

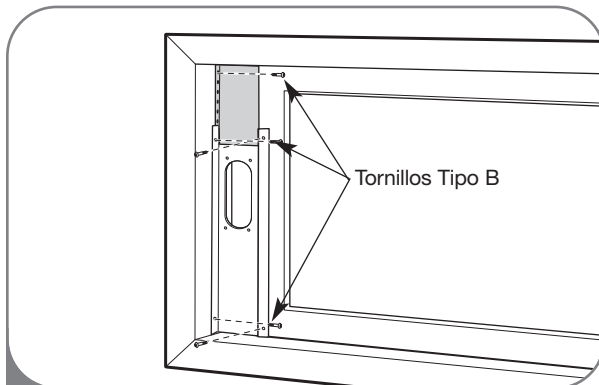
NOTA: El equipo de instalación de ventanas puede usarse con ventanas con bisagras con una altura de 18" a 48".



- 1** Corte la espuma A (tipo adhesivo) y C (tipo adhesivo-más corto) según la longitud adecuada, y colóquelo en la hoja y el marco de la ventana.

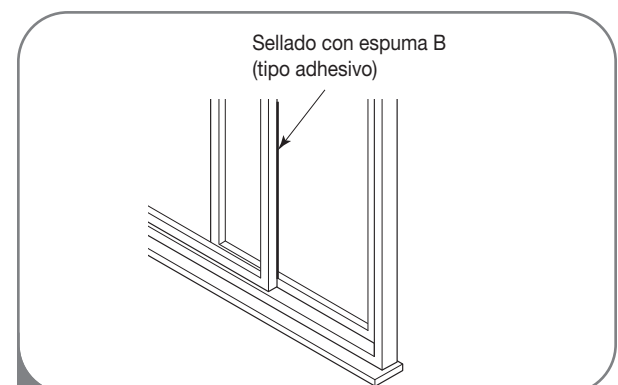


- 2** Introduzca el montaje de panel de ventilación, incluyendo los paneles de extensión, si fueran necesarios, en la abertura de la ventana. Extienda los paneles de extensión, si los está utilizando.



- 3** Cierre la ventana con cuidado. Ajuste el panel de ventilación en su lugar con 4 tornillos tipo B, más un tornillo por cada extensión:

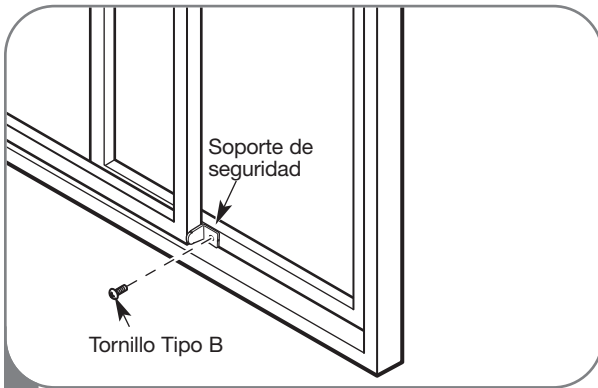
Sólo panel de ventilación:	4 tornillos Tipo B
Panel de ventilación y una extensión:	5 tornillos Tipo B
Panel de ventilación y dos extensiones:	6 tornillos Tipo B
Dos paneles de ventilación y dos extensiones:	9 tornillos Tipo B



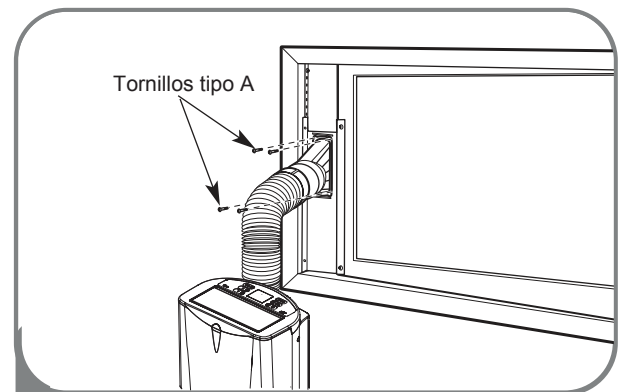
- 4** Corte la espuma B (tipo no adhesivo) según el ancho de la ventana. Rellene con la espuma B la separación existente entre el cristal y la ventana a fin de prevenir la entrada de aire o insectos en la habitación.

INSTRUCCIONES DE INSTALACIÓN

INSTALACIÓN EN VENTANAS DE DESLIZAMIENTO HORIZONTAL



- 5** Instale el soporte de seguridad con un tornillo tipo B, como puede verse.



- 6** Introduzca el extremo oval del difusor dentro del equipo de instalación en ventanas hasta que las lengüetas queden trabadas.

CUIDADO Y LIMPIEZA

Su acondicionador de aire está diseñado para funcionar durante todo el año con sólo una limpieza y mantenimiento mínimos.

Para una eficiencia máxima, se recomienda que haga inspeccionar y limpiar las serpentinas de enfriamiento una vez por año. Su Centro de Servicio Autorizado LG local puede prestar este servicio de inspección y limpieza por una módica suma.

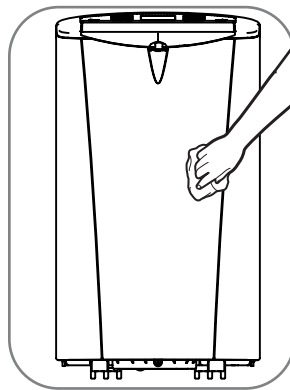
⚠️ ADVERTENCIA

- **Desenchufe el acondicionador de aire antes de limpiar o realizar cualquier clase de mantenimiento o arreglo.**
- **Tenga cuidado al limpiar las serpentinas o al quitar o volver a instalar el filtro: ¡las aletas de enfriamiento son filosas!**

No seguir estas precauciones puede provocar una descarga eléctrica o lesiones personales.

CÓMO LIMPIAR LA CUBIERTA

Limpie la cubierta con un paño ligeramente húmedo, luego seque con un paño o toalla.



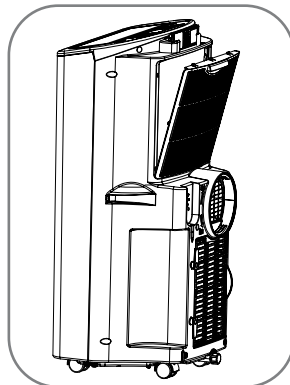
- **Para evitar daños al acabado, no utilice gasolina, benceno, solvente, etc., o cualquier limpiador abrasivo para limpiar el acondicionador de aire; pueden dañar el acabado.**
- **Nunca vierta agua sobre o dentro de la unidad; podría dañar los componentes internos y generar un peligro de descarga eléctrica o incendio.**

CÓMO LIMPIAR EL FILTRO DE AIRE

El filtro de aire debe limpiarse cada dos semanas; dependiendo de la calidad de aire interior, puede necesitarse una limpieza más frecuente. Un filtro de aire sucio disminuye la corriente de aire y reduce la eficiencia.

No opere el acondicionador de aire sin el filtro en su lugar.

- 1 Arrastre el tirador que se encuentra en el centro y sobre el filtro y saque el filtro directamente.



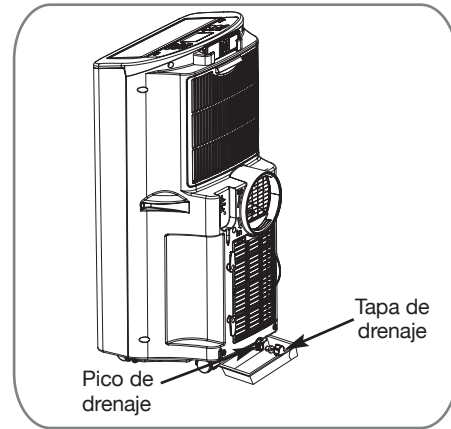
- 2 Use una aspiradora para limpiar el filtro. Si el filtro está muy sucio, puede lavarse en agua tibia utilizando un detergente suave. **No use limpiadores potentes o agua muy caliente. No lo lave en el lavavajillas.**
- 3 Deje que el filtro se seque por completo antes de volver a instalarlo.
- 4 Vuelva a colocar el filtro, verificando que la parte inferior del filtro se encuentre entre las lengüetas y la protección de las serpentinas. Vuelva a colocar la tapa del filtro, cerciorándose que se trabe en su lugar.

CÓMO VACIAR EL TANQUE DE RECOLECCIÓN DE AGUA

Empleando el puerto inferior de drenaje

Cuando el tanque interno de recolección de agua está lleno, aparecerá **FL** en la pantalla y el acondicionador de aire se apagará hasta que se vacíe el tanque.

- 1 Desenchufe el acondicionador de aire, desconecte la manguera de salida de la parte trasera, y traslade el acondicionador de aire a un lugar de drenaje adecuado o al exterior. También puede colocar un recipiente bajo el drenaje con capacidad para 1 cuarto de galón de agua.
- 2 Quite la tapa de drenaje de la salida de drenaje.
- 3 Una vez que el tanque de recolección de agua se ha drenado, vuelva a instalar la tapa de drenaje, cerciorándose que esté bien colocada.
- 4 Coloque el acondicionador de aire en la ubicación deseada, reconecte la manguera de salida, y enchufe el acondicionador de aire.
- 5 Cuando hace falta deshumidificación en caso de alta humedad.
- 6 Bajo los modos de FRESCO y Ventilación, no hace falta el drenaje de agua.
- 7 Durante el modo de deshumidificación, quite el tapón de drenaje y la tubería de escape de la espalda de la unidad.
- 8 Instale un manguera de drenaje (dimensión interior \square 10mm) y colo que el extremo abierto a una ubicación adecuada de drenaje o al aire libre.



Si se encuentra el envase interior de agua está lleno, la pantalla LCD centillará con el signo

NOTA Cuando FL aparece en la pantalla:

El tanque para recoger el agua está lleno. Vacíe el tanque y restablezca el sistema.

NOTAS:

Cuando se lo encienda después de haber sido desenchufado, el acondicionador de aire se reconfigurará automáticamente en el modo COOL (frío), con una temperatura establecida de 72°F (22 °C).

CÓMO GUARDAR EL ACONDICIONADOR DE AIRE

Si no va a usar el acondicionador de aire durante un período prolongado:

- 1 Drene el tanque de recolección de agua completamente y deje el pico de drenaje destapado el tiempo suficiente para eliminar el agua residual. Una vez que el tanque se haya drenado por completo y no salga más agua, vuelva a colocar la tapa.
- 2 Quite y limpie el filtro, deje que se seque por completo y vuelva a instalarlo.
- 3 Quite las baterías del control remoto.
- 4 Guarde el acondicionador de aire en un lugar frío y seco, lejos de luz solar directa, temperaturas extremas, y polvillo excesivo.

Antes de volver a usar el acondicionador de aire:

- 1 Verifique que el filtro y la tapa de drenaje estén en su lugar.
- 2 Verifique el cable para asegurar que esté en buenas condiciones, sin grietas o daños.
- 3 Coloque baterías nuevas en el control remoto.
- 4 Instale el acondicionador de aire como se indica en las Instrucciones de instalación.

DETECCIÓN DE PROBLEMAS

ANTES DE LLAMAR AL SERVICIO TÉCNICO

Antes de llamar al servicio técnico, examine esta lista. Puede ahorrarle tiempo y dinero. La lista incluye situaciones comunes que no son el resultado de mano de obra o materiales defectuosos del artefacto.

Problema	Causas posibles	Soluciones
El acondicionador de aire no se enciende	<ul style="list-style-type: none"> • El enchufe del acondicionador de aire no está introducido del todo en el tomacorriente. • El fusible doméstico se ha quemado o el disyuntor ha saltado. • Corte de energía. • El disyuntor integrado de enchufe ha saltado. • Aparece FL en la pantalla. • La temperatura de la habitación es menor a la temperatura programada. 	<ul style="list-style-type: none"> • Verifique que el enchufe eléctrico esté conectado a un tomacorriente con tensión y adecuada conexión a tierra. • Cambie el fusible o vuelva a configurar el disyuntor. Verifique que no haya otros artefactos en el mismo circuito. • Si ocurre un corte de energía, apague el artefacto. Cuando vuelva la energía, espere 3 minutos antes de volver a encender el acondicionador de aire. • Presione el botón RESET (reconfigurar) en el enchufe del acondicionador de aire. Si el botón de reconfiguración no queda trabado, desenchufe el acondicionador de aire y comuníquese con un técnico calificado. • El tanque de recolección de agua está lleno. Drene el tanque y vuelva a configurar. Ver la sección <i>Cuidado y limpieza</i>. • Esto es normal. El acondicionador de aire se apaga automáticamente cuando la temperatura de la habitación es igual o menor a la configurada. Si hace falta, ajuste la configuración de temperatura.
El acondicionador de aire no enfría correctamente	<ul style="list-style-type: none"> • La corriente de aire está disminuida. • El filtro de aire está sucio. • La habitación está muy caliente, o no se ha dejado el tiempo suficiente de enfriamiento. • El aire frío se está escapando. • Las serpentinas de enfriamiento se han congelado. 	<ul style="list-style-type: none"> • Verifique que haya suficiente espacio alrededor del artefacto y que la entrada y salida de aire no estén bloqueadas por muebles, cortinas, etc. • Limpie el filtro de aire por lo menos cada dos semanas. Ver la sección <i>Cuidado y limpieza</i>. • Después de encenderlo, deje el tiempo necesario para que el acondicionador de aire enfríe la habitación. • Verifique que no haya rejillas de piso de calderas o retornos de aire frío, o ventanas o puertas abiertas. • En climas especialmente cálidos y húmedos y cuando el acondicionador de aire funciona con frecuencia o por período prolongados, puede formarse hielo en las serpentinas de enfriamiento, lo que bloquea la corriente de aire. Configure los controles en High Fan (ventilador alto) (F3) o High Cool (frío alto) (F3), y configure en una temperatura más elevada.
El acondicionador de aire funciona muy a menudo o durante mucho tiempo	<ul style="list-style-type: none"> • El área a enfriar es demasiado grande para el artefacto. • Hay puertas o ventanas abiertas. 	<ul style="list-style-type: none"> • Consulte a su vendedor sobre la capacidad necesaria para enfriar el área deseada. • Asegúrese de que puertas y ventanas estén cerradas.

DETECCIÓN DE PROBLEMAS

ANTES DE LLAMAR AL SERVICIO TÉCNICO

Problema	Causas posibles	Soluciones
Aparece un código en la pantalla: <i>F1, F2, o F3</i>	<ul style="list-style-type: none">• El acondicionador de aire está en el modo FAN (ventilador) y el número en pantalla es la velocidad de ventilador configurada.	<ul style="list-style-type: none">• Esto es normal. El acondicionador de aire funciona correctamente.
<i>FL</i>	<ul style="list-style-type: none">• El tanque de recolección de agua está lleno.	<ul style="list-style-type: none">• Vacíe el tanque de recolección de agua. Ver la sección <i>Cuidado y limpieza</i>.
CH01	<ul style="list-style-type: none">• Cortocircuito o circuito abierto en la termostato de aire interno.	<ul style="list-style-type: none">• Desenchufe el acondicionador de aire y comuníquese con su centro autorizado de LG.
CH02	<ul style="list-style-type: none">• CIRCUITO CORTO O ABIERTO en el termostato de tubo interior.	<ul style="list-style-type: none">• Desenchufe el aire acondicionado y contacte con el centro autorizado de servicio de LG.

LG ELECTRONICS, INC.

ACONDICIONADOR DE AIRE PORTÁTIL –GARANTÍA LIMITADA – EE.UU.



Si su acondicionador de aire portátil LG llegara a tener defectos en los materiales o en la mano de obra bajo un uso normal, durante el período de garantía establecido a continuación, vigente desde la fecha original de compra del producto, LG Electronics reemplazará las piezas defectuosas. Las piezas de reemplazo tendrán las mismas características y funciones de la pieza original. Las piezas de reemplazo tienen garantía durante el tiempo restante del período de garantía original. Esta garantía limitada solamente cubre al comprador original del producto y tiene vigencia sólo cuando se lo utilice dentro de los EE.UU.

<p><u>PERÍODO DE GARANTÍA:</u></p> <p>Mano de obra: 1 años desde la fecha de compra.</p> <p>Piezas: 1 años desde la fecha de compra.</p> <p>Compresor: 5 años desde la fecha de compra.</p>	<p><u>PROCESO DE SERVICIO:</u></p> <p>Llamenos a 1-800-243-0000 y seleccione el mensaje adecuado. Asegure que tiene listo el tipo de producto(Aire Acondicionado Portátil), número de modelo, número de serie y el código postal.</p> <p>El trabajo de garantía cubre el costo del servicio a domicilio de todas las partes incluyendo el compresor.</p>
--	--

Ninguna otra garantía es aplicable a este producto. ESTA GARANTÍA REEMPLAZA CUALQUIER OTRA GARANTÍA, EXPRESA O IMPLÍCITA, INCLUYENDO, SIN LIMITACIÓN, CUALQUIER GARANTÍA DE COMERCIABILIDAD O APTITUD PARA UN OBJETIVO PARTICULAR. EN LA MEDIDA EN QUE CUALQUIER GARANTÍA IMPLÍCITA SEA REQUERIDA POR LA LEY, SE LIMITA EN DURACIÓN AL PERÍODO DE GARANTÍA EXPRESO ANTERIOR. NI EL FABRICANTE NI SU DISTRIBUIDOR EN LOS EE.UU. SERÁN RESPONSABLES DE DAÑOS INCIDENTALES, RESULTANTES, INDIRECTOS, ESPECIALES O PUNITIVOS DE CUALQUIER NATURALEZA, INCLUYENDO, SIN LIMITACIÓN, GANANCIAS O INGRESOS PERDIDOS, O CUALQUIER OTRO DAÑO EXPRESADO MEDIANTE CONTRATO, EXTRA CONTRACTUALMENTE O DE CUALQUIER OTRA FORMA. Algunos estados y/o territorios no permiten la exclusión o limitación de daños o limitaciones incidentales o resultantes sobre el tiempo de duración de una garantía, por lo tanto las limitaciones o exclusiones anteriores pueden no aplicarse en su caso. Este garantía otorga al comprador original derechos legales específicos y usted puede contar con otros derechos, que pueden variar de estado a estado o de territorio a territorio.

ESTA GARANTÍA LIMITADA NO SE APLICA A:

1. Visitas a su domicilio para entregar o retirar piezas, instalar, instruir, reemplazar fusibles domésticos, conexión de cableados o cañerías, o para corregir reparaciones no autorizadas.
2. Fallas del producto durante fallas e interrupciones de energía o servicios eléctricos inadecuados.
3. Daño provocado por transporte o manipulación.
4. Daños al producto provocados por accidentes, alimañas, rayos, viento, incendio, inundaciones, o fuerza mayor.
5. Daños provocados por tuberías de agua rotas o con pérdidas, tuberías congeladas, líneas de drenaje restringidas, o suministro de agua inadecuada o interrumpida.
6. Daños provocados por suministro de aire inadecuado.
7. Daños provocados por utilizar el producto en una atmósfera corrosiva.
8. Reparaciones cuando su producto LG no se utiliza de una manera normal en una vivienda familiar única o cuando se utiliza no respetando las instrucciones descritas en la Guía del Usuario del producto.

9. Daños provocados por accidentes, modificaciones, uso indebido, abuso, o instalación inadecuada, reparación, o mantenimiento. Las reparaciones inadecuadas incluyen el uso de piezas no aprobadas o especificadas por LG.
10. Mantenimiento normal como se describe en la Guía de Usuario, como limpieza o reemplazo de filtros, limpieza de serpentinas, etc.
11. Uso de accesorios o componentes no compatibles con este producto.
12. Productos con números de serie modificados o borrados.
13. Cambios en la apariencia del producto que no afecten el desempeño del producto.
14. Incrementos en los costos de los servicios públicos y gastos adicionales de servicios públicos.

El costo de la reparación o reemplazo bajo estas circunstancias excluidas quedará a cargo del consumidor.

PARA CONTACTAR LG ELECTRONICS POR CORREO:

LG Customer Interactive Center
 P. O. Box 240007
 201 James Record Road
 Huntsville, Alabama 35824
 ATTN: CIC

Información sobre registro de producto

Número de modelo: _____

Número de serie: _____

Puede encontrariós en la etiquetad de la parte lateral del acondicionador de aire.

Fecha de compra: _____

Nombre del vendedor: _____

Español



LG ELECTRONICS, INC.
1000 Sylvan Ave., Englewood Cliffs, NJ 07632

LG Customer Information Center

1-800-243-0000

Register your product Online!

www.lgappliances.com