



EXPRESS COOL

REFRIGERATOR

OWNER'S MANUAL

Please read this manual carefully and thoroughly before operating this unit.

FRIGORÍFICO

MANUAL DO UTILIZADOR

Por favor leia este manual cuidadosamente e até ao fim antes de operar esta unidade

Installation

1. INSTRUCTION

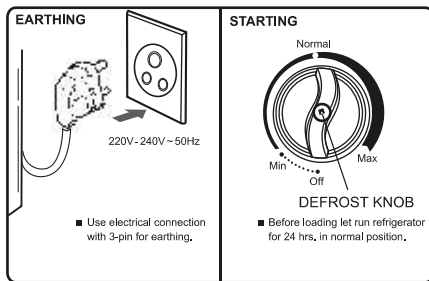
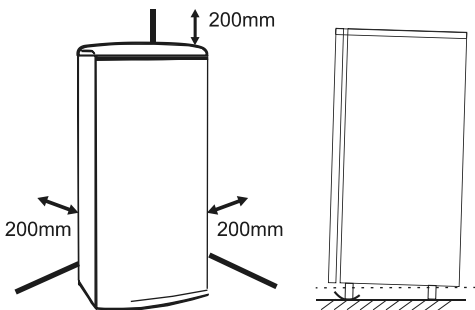
Unpack the refrigerator and locate at desired location.

Refrigerator should be located properly in ventilated area.

To ensure proper air circulation around the Refrigerator, please maintain sufficient space on both the sides as well as top and maintain at least 200mm from the rear wall.

2. LEVELLING

Levelling of refrigerator should be done with front leg. Refrigerator should be levelled with front to back inclination for base.



Operation

Refrigerator Temperature Control

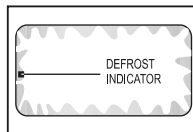
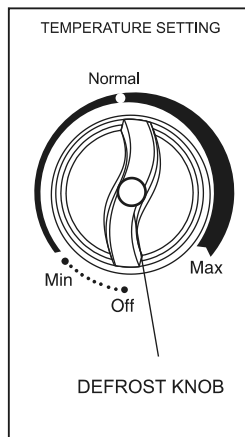
Specially designed knob gives your facility to control temperature inside Refrigerator.

Defrosting

It is natural for moisture in the air to condense on the cold surface. This leads to a regular build up of frost on the surface of the freezer and the cooling in the fresh food compartment. This frost accumulation reduces the cooling effect, thereby reducing efficiency. Therefore, periodic defrosting is necessary to ensure optimum performance.

★ The water in the drain tray evaporates by natural evaporation if defrosting is done once in two days. However, due to varied conditions of usage it is desirable to check the drain-tray occasionally and dispose of the water, if any, Please ensure that the chiller tray is in its correct position by pushing it to its extreme. Otherwise the defrosting water may fall over the contents of the refrigerator.

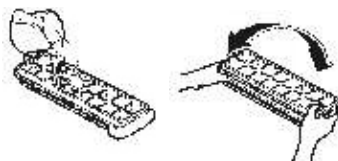
★ **Manual Defrosting** : However in some models, in case of defrosting or power failure the water directly accumulates in chiller tray, dispose off water directly from chiller tray by taking it out.



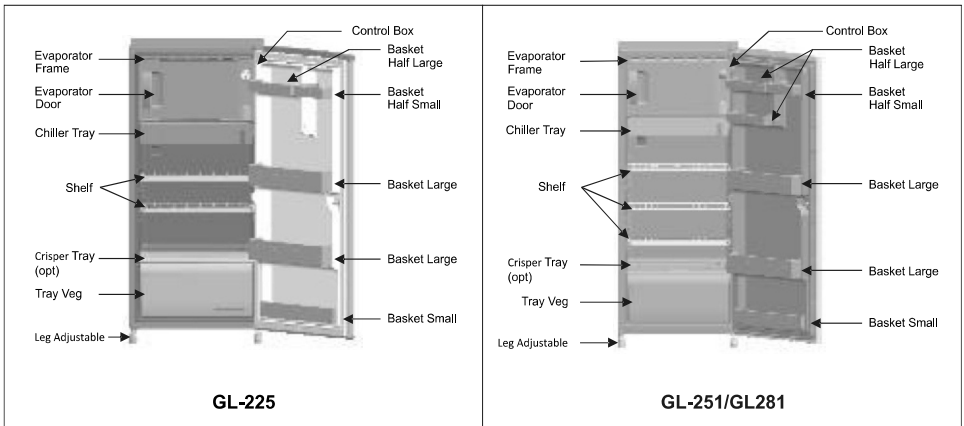
Note : Push the Defrost Knob after every 2 days / Ice Level reaches defrost indicator.

ICE MAKING

- Fill ice trays with water, place in Freeze Box.
- To remove ice cube, gently twist Ice Tray.



IDENTIFICATION OF PARTS



* Due to continuous product improvement, model specification subjected to change.

SUGGESTIONS

SUGGESTIONS

Cover or wrap all foods that you put into your refrigerator with polythene or aluminium foil, preventing the mixing of flavours and to keep the food from drying. Do not store liquids in bottles in the freezer compartment since there is danger of their bursting.

- Don't keep hot milk or hot food in your refrigerator. This will result in an increased temperature of other food in the fridge and may lead to deterioration.
- Don't open the refrigerator door too often-hot air will enter and increase the temperature.
- Don't keep the door open for more than 30 seconds at a time-cold air will rush out of the fridge.
- Don't cover the shelves with paper or plastic sheets. This prevents air circulation inside the cabinet.
- Don't use a knife or sharp instrument to remove the ice trays from the freezer or to remove the frost mechanically as it may damage the freezer coil.
- Fridge will automatically switched off when the proper temperature is attained. Don't switch off the fridge at night, this will create higher temperature inside the cabinet thus deteriorating stored foods.
- Feel free to call your LG Dealer or LG Representative in case your refrigerator has suffered and damage in transit. The Dealer or the Company Representative will assess the extent of damage and give you an estimate for repairs.
- Don't switch on the refrigerator, unless a minimum period of four minutes lapses after it was switched off, either due to power failure or otherwise.
- Don't allow food stuffs smeared with salt to come in direct contact with the freezer. It is a good practice to always keep the food in a container before placing in the freezer.
- Do not keep very hot objects on the table top since the plastic material may get damaged.
- Do Not Modify or Extend the power cord length * It will cause electric Shock or fire.

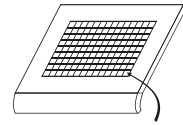
LAMP REPLACEMENT

- Unplug the power cord from the outlet.
- Remove the room lamp lid.
- Make sure the bulbs are cool to the touch. Remove the lamp by turning it counterclockwise.

Features

★ CELL FRESH CRISPER

It keeps your vegetables fresh by holding moisture & prevents from rotten.



Water drops

USEFUL SUGGESTIONS

EXTERIOR - Use a lukewarm solution of mild soap or detergent to clean the durable finish of your refrigerator. Wipe with a clean, damp cloth and then dry.

INTERIOR - Regular cleaning of the interior and interior parts is recommended. If you have the Wash all compartments with a mild baking soda solution, then rinse and dry the compartment.

VACATION TIME - During average length vacations, you will probably find it best to leave the refrigerator in operation. Place freezable items in freezer for longer life. When you plan to be away for an extended period remove all food, disconnect the power cord, clean the interior thoroughly and leave each door OPEN to prevent odour formation.

POWER FAILURE - Most power failures are corrected in an hour or two and will not affect your refrigerator temperatures. However, you should minimize the number of door openings while the power is off. During power failures of longer duration, place a block of dry ice on top of your frozen packages.

IF YOU MOVE - Remove or securely fasten down all loose items inside the refrigerator. To avoid damaging the leveling screws, turn them all the way into the base.

IMPORTANT WARNINGS

"This Appliance is not indented for use by persons (including children) with reduced physical, sensory or mental capabilities, or lack of experience and knowledge, unless they have been given supervision or instruction concerning use of the appliance by a person responsible for their safety.

Children should be supervised to ensure that they do not play with the appliance."

SUPPLY CORD REPLACEMENT

If the supply cord is damaged, it must be replaced by the manufacturer or its service agent or a similarly qualified person in order to avoid a hazard.

Before Calling for Service

Check for yourself

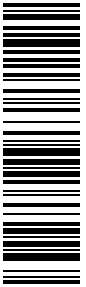
Type of Complaint	Probable Cause	Remedy
1. Refrigerator does not work.	-Thermostat switch in 'OFF' position. -Power Supply Off.	Check that the thermostat knob is on 'Normal' (No.4) position and not in off position. Check that the refrigerator main supply plug is connected to the wall socket and that the supply is on. Check that the fuse is intact in the supply line.
2. Refrigerator attempts to start, but does not operate.	-Low Voltage.	Install a line-correcting transformer in the mains, or a Voltage Stabilizer.
3. Refrigerator contents not cooling.	-Defrosting over due -Restriction of cold air circulation. -Improper thermostat control selection. -Entry of hot air.	Defrost the refrigerator. Provide space in between the dishes. If the shelves are covered with cloth or polythene, remove it. If the refrigerator is required to give a low temperature turn the thermostat knob towards colder (No.7) position. Opening and closing of the door too often will result in hot air from outside rushing into the refrigerator causing the temperature to go up. Reduce the frequency of opening of the door
4. Formation of water drops on exterior of refrigerator.	-High humidity during monsoon season.	Avoid storing hot foods in the refrigerator, cool them to room temperature before placing them inside the refrigerator. During the monsoon, when the humidity in the atmosphere reaches around 90% water droplets may form around the sides of the refrigerator cabinet, especially the top portion. This moisture should be wiped off periodically. Contact our serviceman to check the door seal for proper and uniform contact with the cabinet.
5. Formation of droplets on the underside of the Chiller tray.	-Hot and humid climate.	In hot and humid weather the moist air rushes inside whenever the refrigerator door is opened. This results in excess frosting on the Evaporator, and condensation on the Chiller tray bottom. Avoid too frequent door openings.
6. Smell and odour.	-Improper covering and wrapping of food.	Wrap and cover foodstuffs properly. Place caps on bottles and other liquid stores. If the smell persists, defrost the refrigerator, remove all foodstuffs, clean the refrigerator thoroughly and wipe it dry before restarting.
7. Difficulty in formation of ice and ice-cream.	-Incorrect thermostat setting. -Defrosting overdue.	Set the thermostat on 'Colder' (No.7) position. Excessive frost on the freezer, should be defrosted. Ensure that the container of ice-cream or ice is in proper contact with the surface of the freezer. Do not use bowls.



EXPRESS COOL

دليل مالك الثلاجة

الرجاء قراءة هذا الدليل بعناية و
بشكل كامل قبل تشغيل هذه الوحدة



MFL63747201