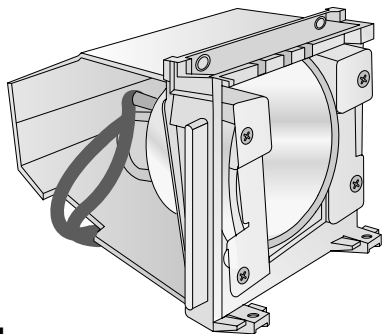


# AJ-LAN1

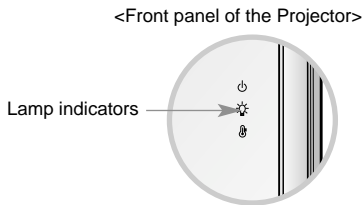


## LAMP OWNER'S MANUAL

## \* Contact your dealer for replacing a new lamp.

The projector lamp usually lasts for about 4000 hours. You can see the used lamp time in the Selecting Function section. You must replace the lamp when:

- The projected image gets darker or starts to be deteriorated.
- The lamp indicator is red.
- The message "Replace the lamp" appears on the screen when turning the projector lamp on.



## Be careful when replacing lamp

Press the POWER button on the control panel or remote control to cut off the power.

- If the operation indicator LED is orange and blinking, do not disconnect the mains supply until the operation indicator LED is lit up constantly (orange).
- Allow the lamp to cool for 1 hour before replacing it.
- Replace only with the same type lamp from a LG Electronics Service Center using and other lamp may cause damage to the Projector and lamp.
- Pull out the lamp only when replacing the lamp.
- Keep the lamp unit out of reach of children or and heat sources such as radiators, stoves.
- To reduce the risk of fire, lamp shall not be exposed to liquids or foreign material.
- Do not place the lamp near any heat source.
- Make sure the new lamp is securely tightened with screws. If not, the image may be dark or there could be a risk of fire.
- Never touch the lamp unit glass or otherwise image quality may be worse or lamp life may be reduced.

## Replacing the Lamp

- 1 Turn off the projector and unplug the power cable. Carefully place the lens side down on a cushioned surface that will protect the lens from damage.
- 

(Allow the lamp to cool for 1 hour before replacing it.)

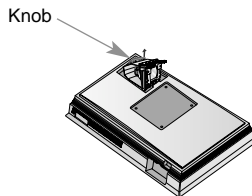
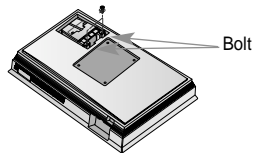
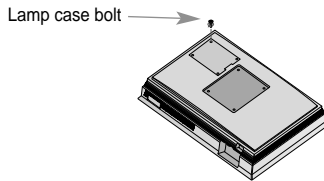
- 2 Remove the retaining screw on the lamp cover with a screwdriver or similar objects and then lift off the lamp cover.
- 

- 3 After lifting the lamp cover off, remove the two retaining screws on the lamp case with a screw-driver or similar objects.
- 

- 4 Lift up the fixed wire knob on the lamp.
- 

- 5 Pull out the handle slowly and remove the lamp case.
- 

- 6 Insert the new lamp gently into the correct position. Make sure it is inserted correctly.
- 



**7** Tighten the screws you removed in step 3.

(Make sure it is fixed hardly.)

**8** Replace the lamp cover and tighten the cover screw.

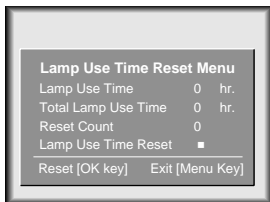
(If the lamp cover is open, the lamp indicator flashes green and the projector is not turned on.)

Using and other lamp may cause damage to the projector or lamp.  
Make sure the lamp cover is securely fastened. If the lamp cover is open, and the projector is not turned on.  
In this case, contact your service center after checking the lamp to fix well.

## Reset Lamp Time

\* You must reset lamp time on the menu after replacing the lamp.

**1** Press the **OK** button on the projector and **OK** button on the remote control simultaneously (About 5 seconds).



**2** Press the **OK** button on the projector or **OK** button on the remote control.  
Lamp time will be reset.