



OWNER'S MANUAL

NEW TYPE CYCLONE VACUUM CLEANER

This information contains important instructions for the safe use and maintenance of the vacuum cleaner. Especially, please read all of the information on page 4, 5 for your safety. Please keep this manual in an easily accessible place and refer to it anytime.

VB-14450HRF
VB-14450HTS



MFL67082006

www.lg.com

Table of contents

Important safety instructions	4~5
How to use	6~15
Assembling vacuum cleaner	6~7
Operating vacuum cleaner	8
Using carpet and floor nozzle / Hard floor nozzle	9
Using carpet master nozzle and mini turbine nozzle	10
Using accessory nozzles	11
Emptying dust tank	12
Cleaning dust tank	13
Cleaning air filter and motor safety filter	14
Cleaning exhaust filter	15
What to do if your vacuum cleaner does not work	16
What to do when suction performance decreases	16

IMPORTANT SAFETY INSTRUCTIONS

Read and follow all instructions before using your vacuum cleaner to prevent the risk of fire, electric shock, personal injury, or damage when using the vacuum cleaner. This guide do not cover all possible conditions that may occur. Always contact your service agent or manufacturer about problems that you do not understand. This appliance complies with the following EC Directives : 2006/95/EC Low Voltage Directive 2004/108/EC EMC Directive.



This is the safety alert symbol.

This symbol alerts you to potential hazards that can kill or hurt you and others.

All safety messages will follow the safety alert symbol and either the word "WARNING" or "CAUTION."

These words mean:



WARNING

This symbol will alert you to hazards or unsafe practices which could cause serious bodily harm or death.



CAUTION

This symbol will alert you to hazards or unsafe practices which could cause bodily injury or property damage.



WARNING

- **Do not plug in if control switch is not in OFF position.**
Personal injury or product damage could result.
- **Keep children away and beware of obstructions when rewinding the cord to prevent personal injury**
The cord moves rapidly when rewinding.
- **Disconnect electrical supply before servicing or cleaning the unit or when cleaner is not in use.**
Failure to do so could result in electrical shock or personal injury.
- **Do not use vacuum cleaner to pick up anything that is burning or smoking such as cigarettes, or hot ashes.**
Doing so could result in death, fire or electrical shock.
- **Do not vacuum flammable or explosive substances such as gasoline, benzene, thinners, propane (liquids or gases).**
The fumes from these substances can create a fire hazard or explosion. Doing so could result in death or personal injury.
- **Do not handle plug or vacuum cleaner with wet hands.**
Doing so could result in death or electrical shock.
- **Do not unplug by pulling on cord.**
Doing so could result in product damage or electrical shock. To unplug, grasp the plug, not the cord.
- **Keep hair, loose clothing, fingers, and all parts of the body away from openings and moving parts.**
Failure to do so could result in electrical shock or personal injury.
- **Do not pull or carry by cord, use cord as a handle, close a door on cord, or pull cord around sharp edges or corners. Do not run vacuum cleaner over cord. Keep cord away from heated surfaces.**
Failure to do so could result in electrical shock or personal injury or fire or product damage.
- **The hose contains electrical wires. Do not use it if it is damaged, cut or punctured.**
Failure to do so could result in death, or electrical shock.
- **Do not allow to be used as toy. Close attention is necessary when used by or near children.**
Personal injury or product damage could result.
- **Do not use the vacuum cleaner if the power cord or plug is damaged or faulty.**
Personal injury or product damage could result. In these cases, contact LG Electronics Service Agent to avoid hazard.
- **Do not use vacuum cleaner if it has been under water.**
Personal injury or product damage could result. In these cases, contact LG Electronics Service Agent to avoid hazard.
- **Do not continue to vacuum if any parts appear missing or damaged.**
Personal injury or product damage could result. In these cases, contact LG Electronics Service Agent to avoid hazard.
- **Do not use an extension cord with this vacuum cleaner**
Fire hazard or product damage could result.
- **Using proper voltage.**
Using improper voltage may result in damage to the motor and possible injury to the user. Proper voltage is listed on the bottom of vacuum cleaner.
- **Turn off all controls before unplugging.**
Failure to do so could result in electrical shock or personal injury.
- **Do not change the plug in any way.**
Failure to do so could result in electrical shock or personal injury or product damage. Doing so result in death. If plug does not fit, contact a qualified electrician to install the proper outlet.
- **Repairs to electrical appliances may only be performed by qualified service engineers.**
Improper repairs may lead to serious hazards for the user.

IMPORTANT SAFETY INSTRUCTIONS

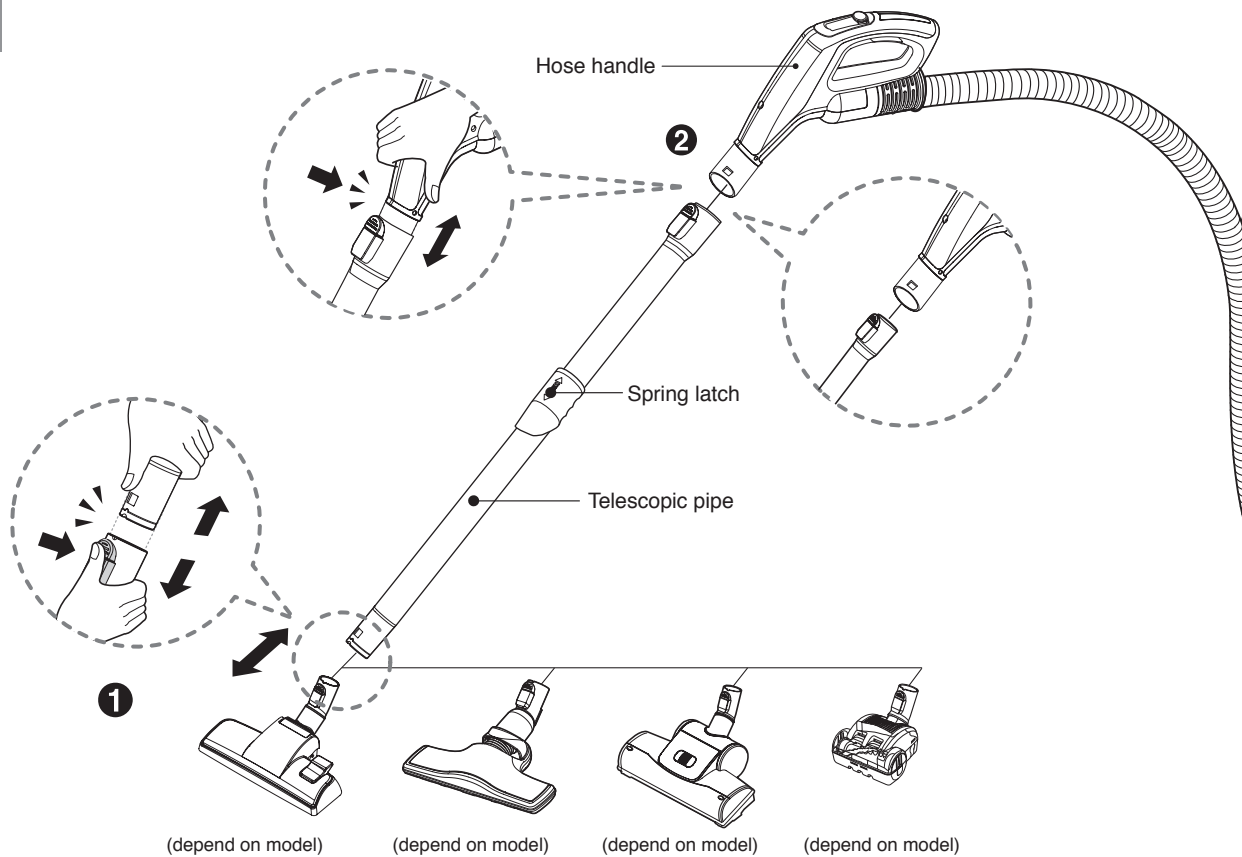
CAUTION

- **Do not put any objects into openings.**
Failure to do so could result in product damage.
- **Do not use with any opening blocked: keep free of dust, lint, hair, and anything that may reduce air flow.**
Failure to do so could result in product damage.
- **Do not use vacuum cleaner without dust tank and/or filters in place.**
Failure to do so could result in product damage.
- **Always clean the dust bin after vacuuming carpet cleaners or fresheners, powders and fine dust.**
These products clog the filters, reduce airflow and can cause damage to the cleaner. Failure to clean the dust bin could cause permanent damage to the cleaner.
- **Do not use vacuum cleaner to pick up sharp hard objects, small toys, pins, paper clips, etc.**
They may damage the cleaner or dust bin.
- **Store the vacuum cleaner indoors.**
Put the vacuum cleaner away after use to prevent tripping over it.
- **The vacuum cleaner is not intended to use by young children or infirm people without supervision.**
Failure to do so could result in personal injury or product damage.
- **Only use parts produced or recommended by LG Electronics Service Agents.**
Failure to do so could result in product damage.
- **Use only as described in this manual. Use only with LG recommended or approved attachments and accessories.**
Failure to do so could result in personal injury or product damage.
- **To avoid personal injury and to prevent the machine from falling when cleaning stairs, always place it at the bottom of stairs.**
Failure to do so could result in personal injury or product damage.
- **Use accessory nozzles in "MIN" mode.**
Failure to do so could result in product damage.
- **Don't grasp the tank handle when you are moving the vacuum cleaner.**
The vacuum cleaner's body may fall when separating tank and body. Personal injury or product damage could result. **You should grasp the carrier handle** when you are moving the vacuum cleaner.
- **If after emptying the dust tank the indicator light is on (red), clean the dust tank.**
Failure to do so could result in product damage.
- **Make sure the filters (exhaust filter and motor safety filter) are completely dry before replacing in the machine.**
Failure to do so could result in product damage.
- **Do not dry the filter in an oven or microwave.**
Failure to do so could result in fire hazard.
- **Do not dry the filter in a clothes dryer.**
Failure to do so could result in fire hazard.
- **Do not dry near an open flame.**
Failure to do so could result in fire hazard.
- **If the power cord is damaged, it must be replaced by an approved LG Electronics Service Agent to avoid a hazard.**
- **This appliance is not intended for use by persons (including children) with reduced physical, sensory or mental capabilities, or lack of experience and knowledge, unless they have been given supervision or instruction concerning use of the appliance by a person responsible for their safety.**
Children should be supervised to ensure that they do not play with the appliance.

Thermal protector :

This vacuum cleaner has a special thermostat that protects the vacuum cleaner in case of motor overheating. If the vacuum cleaner suddenly shuts off, turn off the switch and unplug the vacuum cleaner. Check the vacuum cleaner for possible source of overheating such as a full dust tank, a blocked hose or clogged filter. If these conditions are found, fix them and wait at least 30 minutes before attempting to use the vacuum cleaner. After the 30 minute period, plug the vacuum cleaner back in and turn on the switch. If the vacuum cleaner still does not run, contact a qualified electrician.

How to use Assembling vacuum cleaner

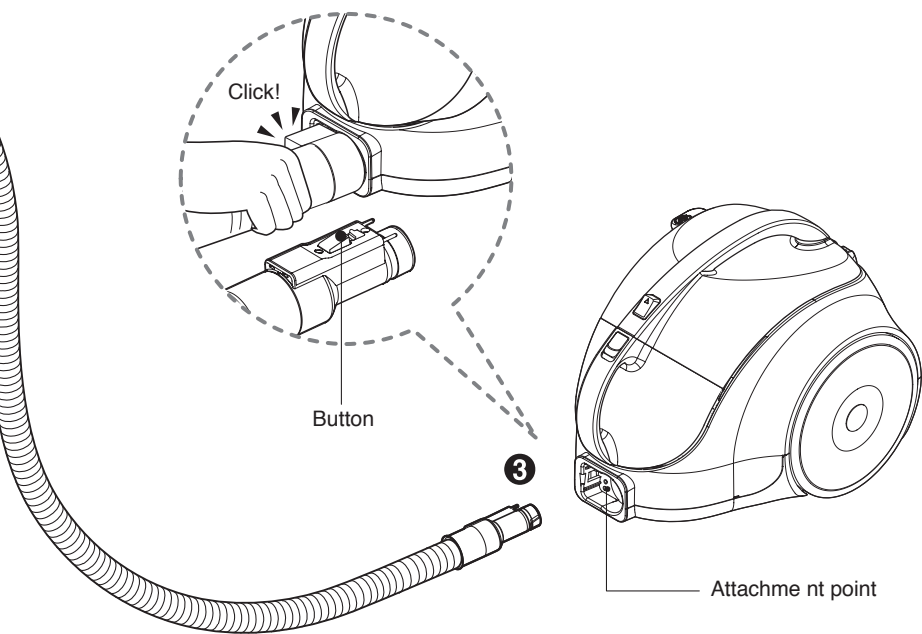


❶ Carpet and floor nozzle

Push the nozzle into the telescopic pipe.

❷ Telescopic pipe

- Push telescopic pipe firmly into hose handle.
- Grasp the spring latch.
- Pull out the pipe to desired length.



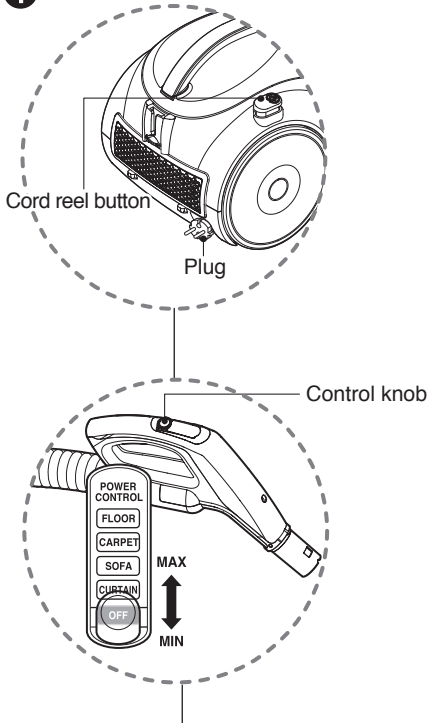
3 Connecting the hose to the vacuum cleaner

Push the fitting pipe on the flexible hose into the attachment point on the vacuum cleaner.

To remove the flexible hose from the vacuum cleaner, press the button situated on the fitting pipe, then pull the fitting pipe out of the vacuum cleaner.

How to use Operating vacuum cleaner

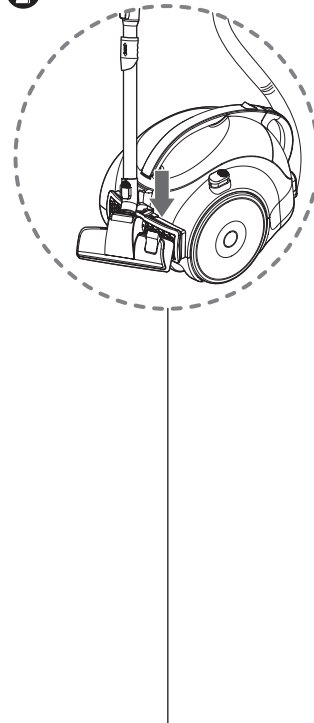
1



1 How to operate

- Pull out the power cord to the desired length and plug into the socket.
- Place the control knob of the hose handle to the required position.
- To turn off, slide control knob to OFF position.
- Press the cord reel button to rewind the power cord after use.

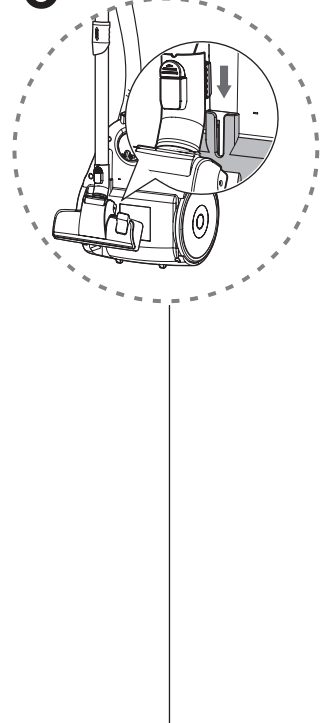
2



2 Park mode

- To store during vacuuming, for example to move a small piece of furniture or a rug, use park mode to support the flexible hose and nozzle.
- Slide the hook on the nozzle into the slot on the side of vacuum cleaner.

3



3 Storage

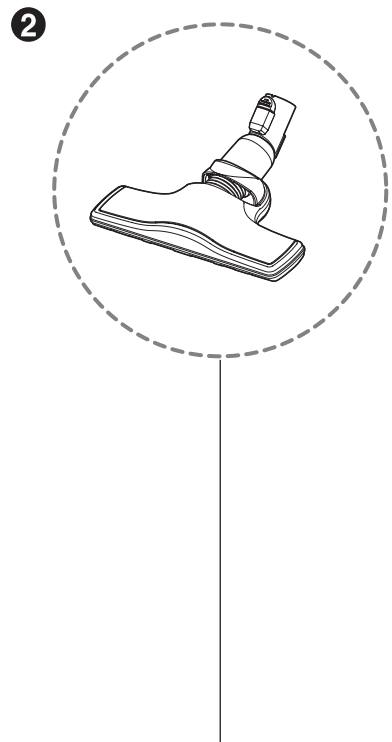
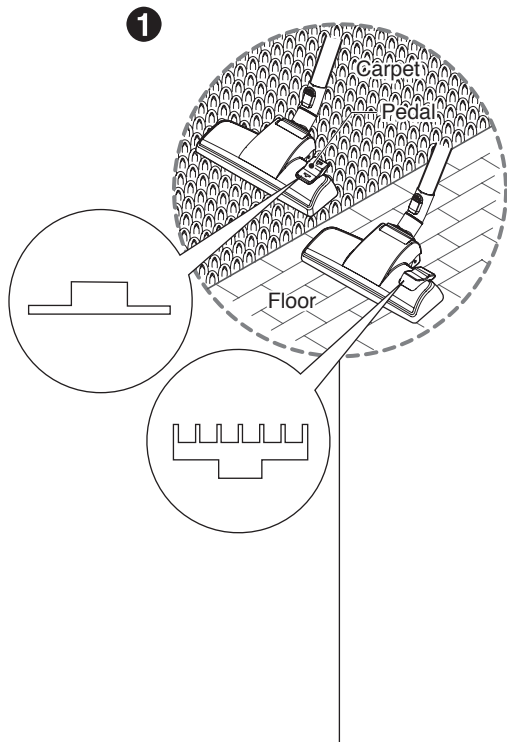
- When you have switched off and unplugged the vacuum cleaner, press the cord reel button to automatically rewind the cord.
- You can store your vacuum cleaner in a vertical position by sliding the hook on the nozzle into the slot on the underside of the vacuum cleaner.

WARNING

No liquid suction.
Liquid suction can cause defects.

How to use

Using Carpet and floor nozzle / Hard floor nozzle



① Carpet and floor nozzle


• The 2 position nozzle

This is equipped with a pedal which allows you to alter its position according to the type of floor to be cleaned.

• Carpet or rug position

Press the pedal () to lower brush.

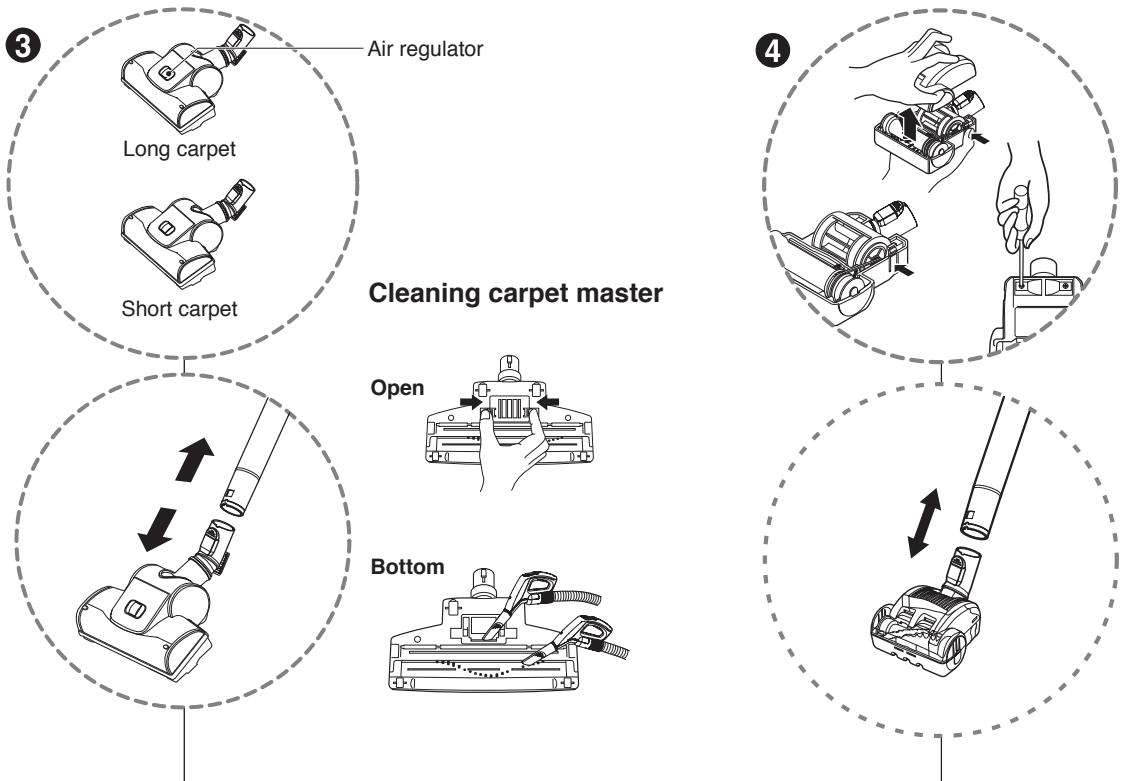
• Hard floor position (tiles, parquets floor)

Press the pedal () to lift the brush up.

② Hard floor nozzle (depend on model)

- Efficient cleaning of hard floors (wood, linoleum, etc)

How to use Using carpet master nozzle and mini turbine nozzle



3 Carpet master (depend on model)

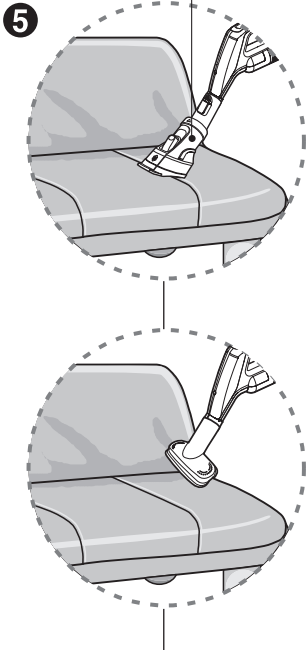
- **Cleaning turbine brush nozzle.**
- Press the button on the rear side of the nozzle to separate the air cover.
- Use the crevice tool to clean the brush and the fan.

4 Mini turbine nozzle (depend on model)

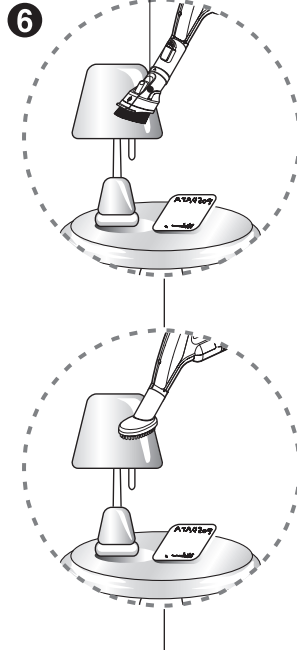
- Mini turbine is used for stairs and other hard-to-reach places.
- To clean the mini turbine nozzle, remove the nozzle cover :
Remove 2 screws on the bottom and take mini turbine nozzle cover off as shown.
- Frequently clean and remove hair, string, and lint build-up in the brush area. Failure to do so could damage to mini turbine nozzle.

How to use Using accessory nozzles

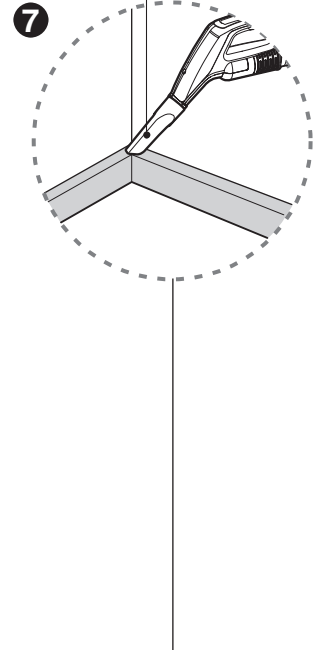
Upholstery nozzle
(depend on model)



Dusting brush
(depend on model)

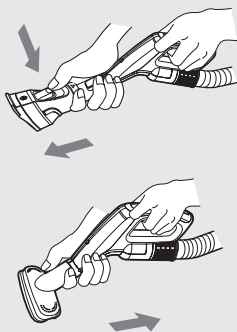


Crevice tool



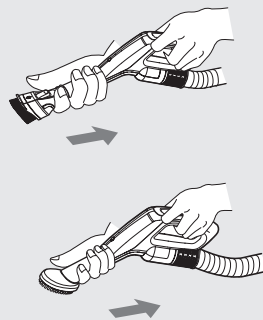
5 Upholstery nozzle

Upholstery nozzle is for vacuuming upholstery, mattresses, etc.



6 Dusting brush

Dusting brush is for vacuuming picture frames, furniture frames, books and other irregular surfaces.

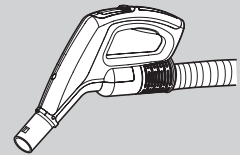


7 Crevice tool

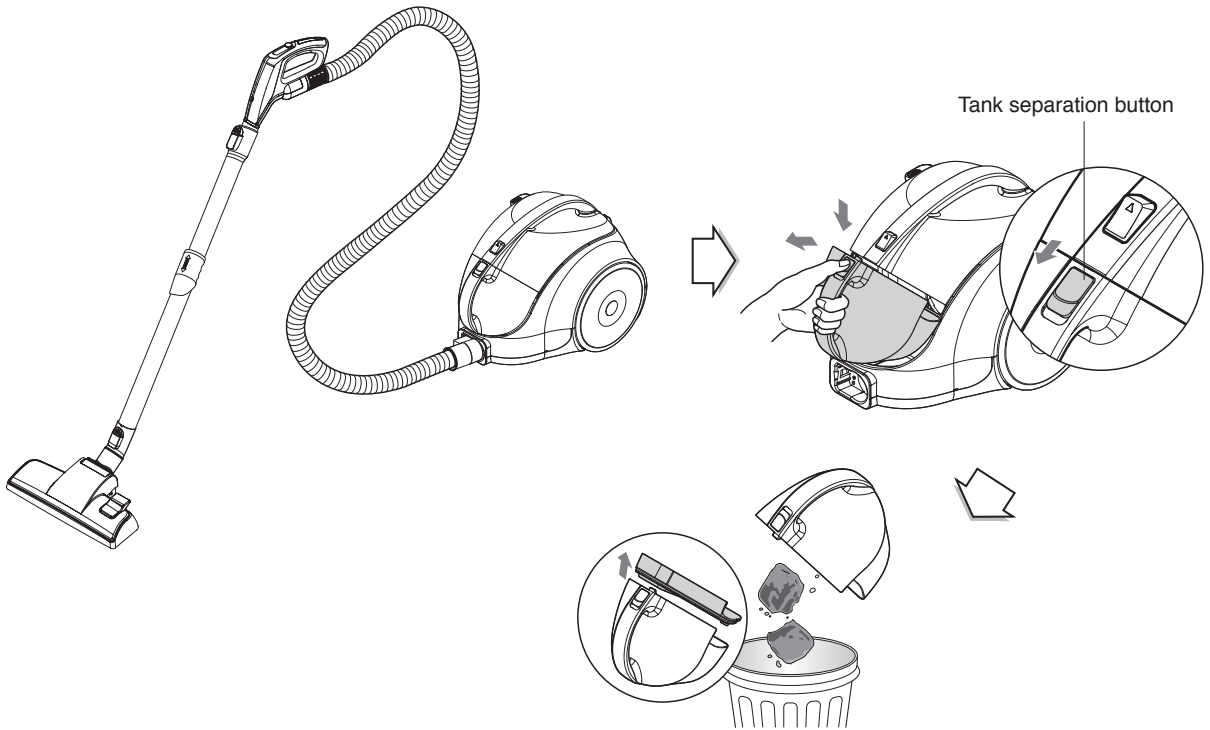
Crevice tool is for vacuuming in those normally hard-to-reach places such as reaching cobwebs, or between the cushions of a sofa.

NOTICE

Use accessory in the sofa mode



How to use Emptying dust tank



Cleaning the dust "tank"

- Grasp the handle of the tank and then press the tank separation button.
- Pull out the dust tank.
- Empty the tank and then assemble the dust tank as shown.

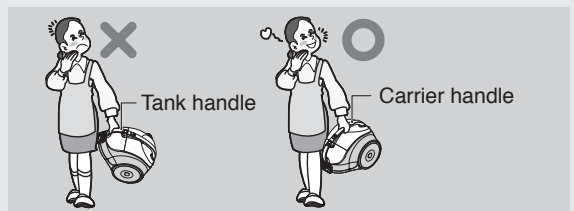
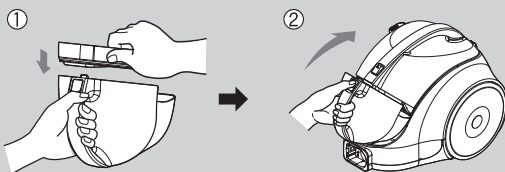
NOTICE

- If suction power decreases after emptying the dust tank, clean the dust tank → next page

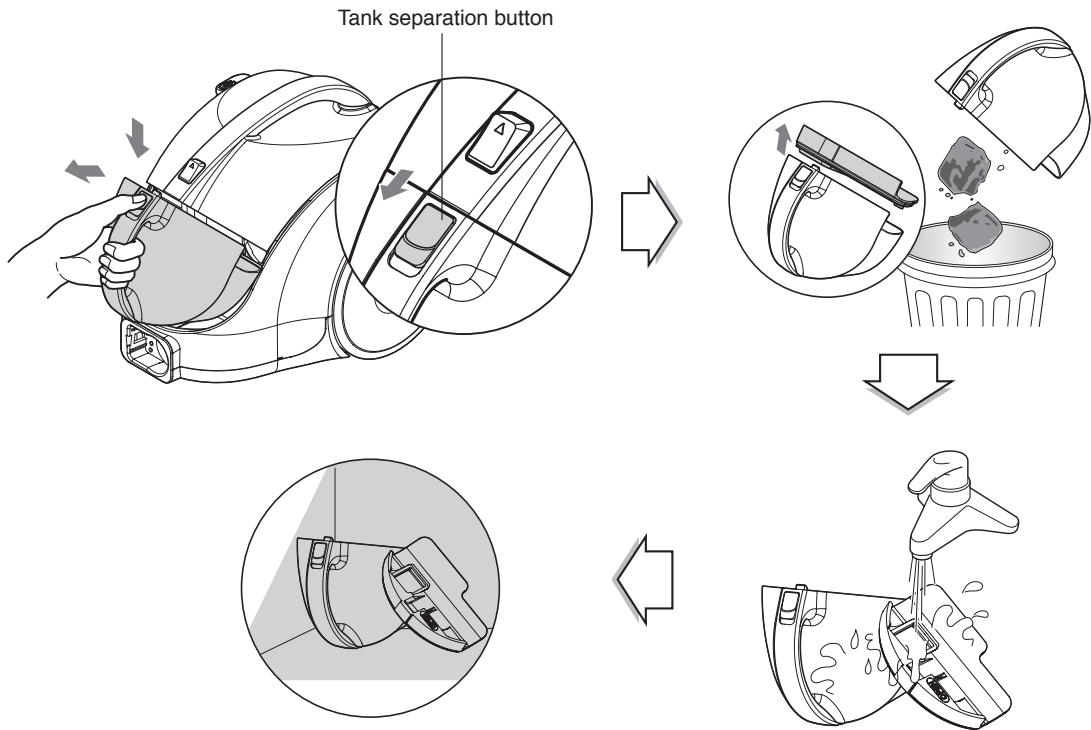
Moving the vacuum cleaner

- Don't grasp the tank handle when you are moving the vacuum cleaner. The vacuum cleaner's body may fall when separating tank and body. You should grasp the carrier handle when you are moving the vacuum cleaner.

Assembling the dust tank



How to use Cleaning dust tank

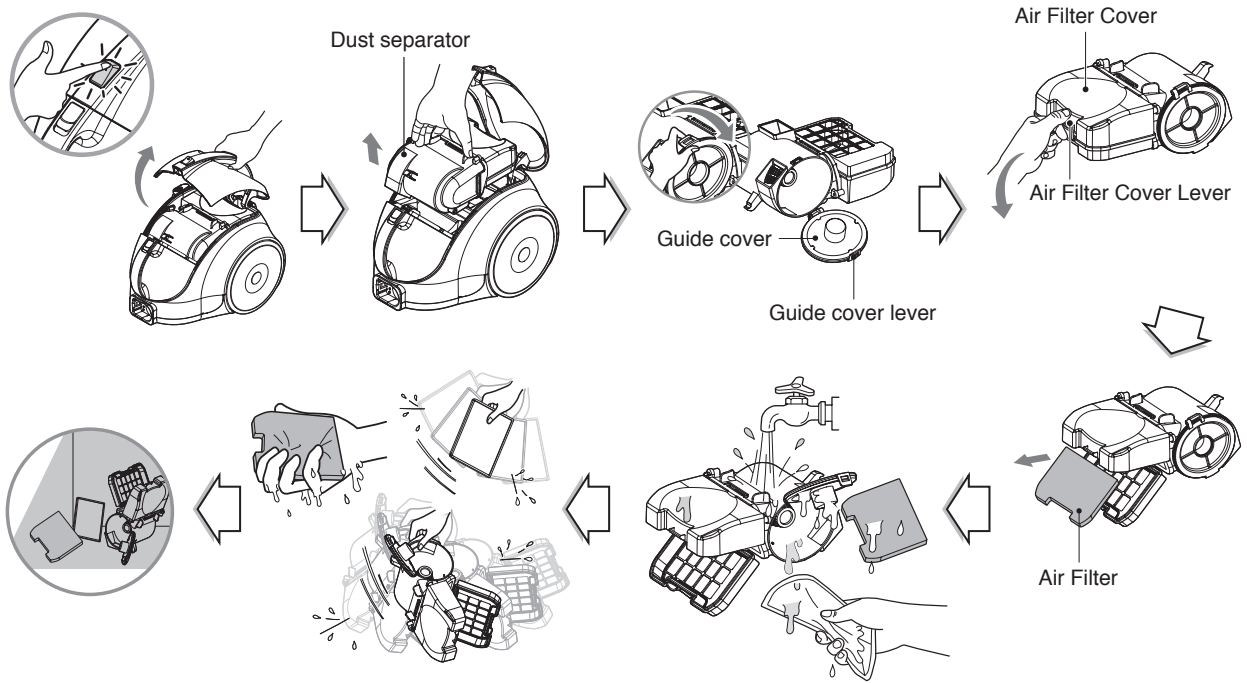


- Press tank separation button and pull out the dust tank.
- Raise the dust tank cap.
- Wash the dust tank.
- Dry fully in shade so that moisture is entirely removed.

NOTICE

If suction power decreases after cleaning the dust tank, clean the air filter and the motor safety filter. ➔ Next page

How to use Cleaning air filter and motor safety filter



If suction power decreases after cleaning the dust tank clean the air filter and the motor safety filter . The air filter and the motor safety filter are located on the top of the vacuum cleaner as above the figure.

- Open the vacuum cleaner cover by pulling the button.
- Grasp the handle of the dust separator and take out it.
- Open the guide cover by pulling the guide cover lever and remove the dust.
- Open the air filter cover by pushing the air filter cover lever and take out the air filter.
- Separate the motor safety filter from the dust separator.
- Wash the air filter and the motor safety filter.
- Do not wash filters with hot water.
- Dry fully in shade so that moisture is entirely removed.
- The air filter and the motor safety filter should be cleaned as above the figure.

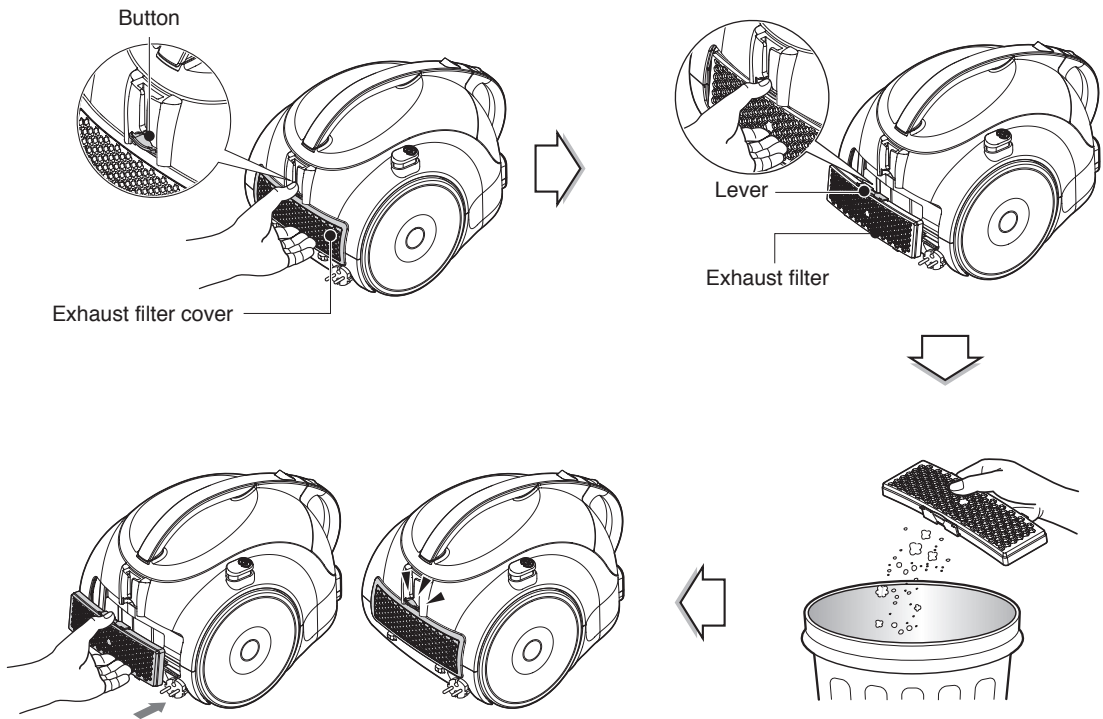
WARNING

Dry fully for more than 24 hours in shade.

NOTICE

If filters are damaged, do not use them. In this cases, contact LG Electronics Service Agent. Wash filters at least once a week.

How to use Cleaning exhaust filter



- The exhaust filter is a reusable HEPA filter.
- To change the exhaust filter, remove the filter cover on the body by release hook.
- Pull out the exhaust filter.
- Dust off filter. (Do not wash filter with water.)
- The exhaust filter should be cleaned at least once a year.

What to do if your vacuum cleaner does not work

Check that the vacuum cleaner is plugged in correctly and that the electrical socket is working.

What to do when suction power decreases

- Turn off the vacuum cleaner and unplug it.
- Check the telescopic pipe, flexible hose and cleaning tool for blockages or obstructions. Check that the dust tank is not full. Empty if necessary.
- Check that the exhaust filter is not clogged. Clean the exhaust filter if necessary.
- Check that the air filter and the motor safety filter are not clogged. Clean them if necessary.
- Check the inside of the dust separator. Clean the inside of the dust separator if necessary.



Disposal of your old appliance

1. When this crossed-out wheeled bin symbol is attached to a product it means the product is covered by the European Directive 2002/96/EC.
2. All electrical and electronic products should be disposed of separately from the municipal waste stream via designated collection facilities appointed by the government or the local authorities.
3. The correct disposal of your old appliance will help prevent potential negative consequences for the environment and human health.
4. For more detailed information about disposal of your old appliance, please contact your city office, waste disposal service or the shop where you purchased the product.

راهنمای مصرف کنندگان نوع جدید جاروبرقی سایکلون

این راهنمای مصرف کنندگان، حاوی دستورالعمل‌های مهم درخصوص استفاده ایمن و همچنین نحوه نگه داری دستگاه جاروبرقی می باشد.
خصوصاً اطلاعات موجود در صفحات ۵، ۶ که در مورد ایمنی شما می باشند را مطالعه بفرمایید.
لطفاً این راهنما را همیشه در دسترس قرار داده و در زمان نیاز به آن مراجعه کنید.

VB-14450HRF
VB-14450HTS



۴-۵.....	دستورالعمل های مهم ایمنی.....
۶-۱۵.....	شیوه ی استفاده
۶-۷.....	سرهم کردن جاروبرقی.....
۸.....	به راه انداختن دستگاه.....
۹.....	استفاده نازل فرش و کف / نازل سطوح سخت.....
۱۰.....	استفاده از نازل اصلی فرش و نازل توربینی کوچک.....
۱۱.....	استفاده از نازل های جانبی
۱۲.....	تخلیه مخزن زباله.....
۱۳.....	تمیز کردن مخزن زباله.....
۱۴.....	تمیز کردن فیلتر هوا و فیلتر ایمنی موتور.....
۱۵.....	تمیز کردن فیلتر خروجی هوا
۱۶.....	اگر جاروبرقی کار نکرد چه باید کرد.....
۱۶.....	هنگامی که مکش کم می شود چه باید کرد.....

دستورالعمل های مهم ایمنی

پیش از استفاده تمام دستورالعمل ها را مطالعه و اجرا نمایید تا از خطر وقوع آتش سوزی، برق گرفتگی، آسیب جسمانی یا صدمه دیدن دستگاه در حین استفاده پیشگیری شود. این راهنما تمامی شرایط احتمالی را که ممکن است رخ دهد، شامل نمی شود. همیشه برای مواردی که متوجه نمی شوید، با نمایندگی یا تولید کننده تماس حاصل نمایید. این دستگاه مطابق با قوانین EC Directives: 2006/95/EC Low Voltage Directive 2004/108/EC EMC Directive است.

این علامت نشانه ی هشدار ایمنی است.

این علامت در مورد خطرات احتمالی که ممکن است سبب مرگ یا آسیب دیدن شما و دیگران شود، به شما هشدار می دهد.

پیش از هر پیام ایمنی، علامت خطر یا کلمه ی هشدار یا توجه می آید.

این کلمات به این معانی هستند:



هشدار



این علامت شما را از خطرات یا کاربردهای خطر آفرین دستگاه که ممکن است سبب آسیب جسمانی یا مرگ شود، آگاه می سازد.

توجه



این علامت شما را از خطرات یا کاربردهای خطر آفرین دستگاه که ممکن است سبب صدمه دیدن شما یا دستگاه شود، آگاه می سازد.

هشدار



- اگر کلید اصلی در حالت **OFF** نیست، دستگاه را به برق وصل نکنید. ممکن است باعث صدمه دیدن شما یا دستگاه شود.
 - هنگام جمع کردن کابل، کودکان را از آن دور نگه داشته و مراقب گیر کردن کابل باشید، تا از آسیب جسمی پیشگیری شود. کابل هنگام جمع شدن، با سرعت بسیار زیادی حرکت می کند.
 - پیش از انجام تعمیر یا تمیز کردن دستگاه یا زمانی که از دستگاه استفاده نمی کنید، آن را از برق بکشید.
 - انجام ندادن این کار ممکن است سبب برق گرفتگی یا صدمه دیدن شما شود.
 - برای برداشتن اجسام در حال اشتعال یا دودزا مانند سیگار یا خاکستر داغ از جاروبرقی استفاده نکنید.
 - انجام این کار ممکن است سبب مرگ، آتش سوزی یا برق گرفتگی شود.
 - مواد منفجره یا قابل اشتعالی مانند گازوئیل، بنزین، تینر، پارافین و عباراتی که برای سلامتی مضر هستند (مایعات یا گازها) را با جاروبرقی تمیز نکنید.
 - بخارات این مواد ممکن است خطر آتش سوزی یا انفجار ایجاد کنند. انجام این کار ممکن است سبب مرگ یا آسیب جسمانی شود.
 - با دستان خیس به دوشاخه ی برق یا جاروبرقی دست نزنید.
 - انجام این کار ممکن است سبب برق گرفتگی یا آسیب جسمانی شود.
 - دوشاخه ی برق را با کشیدن سیم از پریز بیرون نیاورید.
 - انجام این کار ممکن است سبب آسیب دیدن دستگاه یا برق گرفتگی شود.
 - برای کشیدن دوشاخه از پریز، دوشاخه را در دست بگیرید، نه کابل را.
 - هرگونه مو، لباس گشاد و آزاد، و انگشتان را از منافذ و اجزای متحرک دستگاه دور نگه دارید.
 - انجام ندادن این کار سبب برق گرفتگی یا آسیب جسمی خواهد شد.
 - دستگاه را با استفاده از کابل به اطراف نکشید یا حمل نکنید، از کابل به عنوان دستگیره استفاده نکنید. مراقب باشید که کابل بین در نامند، یا کابل را به لبه ها یا گوشه های تیز اجسام نکشید. جاروبرقی را با کابل به دنبال خود نکشید. کابل را از سطوح داغ دور نگه دارید.
 - انجام ندادن این کار ممکن است سبب برق گرفتگی، آتش سوزی یا صدمه دیدن جسم یا دستگاه شود.
 - در داخل لوله ی خرطومی، کابل برق وجود دارد.
 - در صورت آسیب دیدگی، بریدگی یا سوراخ شدن لوله، از آن استفاده نکنید.
 - رعایت نکردن این موضوع مکن است سبب مرگ یا برق گرفتگی شود.
- نذارید به جای اسباب بازی از آن استفاده شود.
 - هنگام استفاده ی کودکان از دستگاه، یا هنگامی که دستگاه در نزدیکی کودکان مورد استفاده قرار می گیرد، با مراقبت کامل از دستگاه استفاده کنید.
 - ممکن است سبب صدمه دیدن جسم یا دستگاه شود.
 - اگر کابل یا دوشاخه صدمه دیده یا خراب شده است از جاروبرقی استفاده نکنید.
 - ممکن است سبب آسیب دیدن جسم یا دستگاه شود.
 - در این شرایط با سرویسکار مجاز گلدیران تماس بگیرید تا از خطرات پیشگیری شود.
 - اگر روی دستگاه آب ریخته است، از آن استفاده نکنید.
 - ممکن است سبب آسیب دیدن جسم یا دستگاه شود.
 - در این شرایط با سرویسکار مجاز گلدیران تماس بگیرید تا از خطرات پیشگیری شود.
 - اگر متوجه شدید که قطعه ای از دستگاه کم شده یا آسیب دیده است، به جارو کشیدن ادامه ندهید.
 - ممکن است سبب آسیب دیدن جسم یا دستگاه شود. در این شرایط با سرویسکار مجاز گلدیران تماس بگیرید تا از خطرات پیشگیری شود.
 - کابل جاروبرقی را به سه راهی و سیم رابط وصل نکنید.
 - ممکن است سبب آتش سوزی یا آسیب دیدن دستگاه شود.
 - استفاده از ولتاژ مناسب.
 - استفاده از ولتاژ نامناسب ممکن است سبب آسیب دیدن موتور دستگاه و آسیب جسمی شود. ولتاژ مناسب دستگاه در قسمت زیرین جاروبرقی نوشته شده است.
 - پیش از کشیدن دستگاه از برق تمام کنترلهای آن را خاموش کنید. انجام ندادن این کار ممکن است سبب برق گرفتگی یا آسیب جسمی شود.
 - دوشاخه ی برق را به هیچ وجه تعویض نکنید.
 - رعایت نکردن این موضوع ممکن است سبب برق گرفتگی یا آسیب دیدن جسم یا دستگاه شود. انجام این کار سبب مرگ خواهد شد.
 - اگر دوشاخه مناسب پریز نیست، با برقکار واجد شرایط تماس بگیرید تا پریز مناسب برای شما نصب کند.
 - تعمیر لوازم برقی تنها باید توسط متخصصان واجد شرایط صورت بگیرد. تعمیرات نادرست ممکن است سبب ایجاد خطراتی جدی برای مصرف کننده شود.

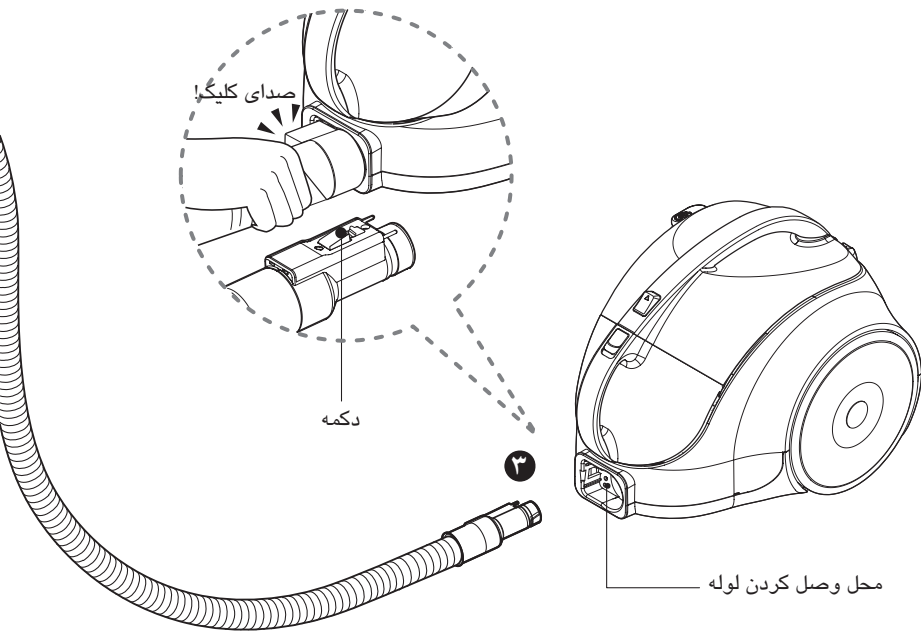
دستورالعمل های مهم ایمنی

⚠️ اخطار

- هیچ جسمی داخل دهانه های دستگاه قرار ندهید. رعایت نکردن این موضوع ممکن است سبب آسیب دیدن دستگاه شود.
- در حالی که شکاف های دستگاه بسته شده است، از آن استفاده نکنید: آنها را از هرگونه گرد و غبار، پرز، مو و هر جسمی که ممکن است جلوی جریان هوا را بگیرد، عاری نگاه دارید.
- رعایت نکردن این موضوع ممکن است سبب آسیب دیدن دستگاه شود.
- بدون قرار دادن مخزن زباله یا فیلترها در سر جای خود، از جاروبرقی استفاده نکنید.
- رعایت نکردن این موضوع ممکن است سبب آسیب دیدن دستگاه شود.
- همیشه پس از جارو کردن مواد تمیز کننده ی فرش، پودرها یا غبار مخزن زباله را تمیز کنید.
- این مواد باعث مسدود شدن فیلترها، و کاهش جریان هوا شده و ممکن است سبب آسیب رساندن به جاروبرقی شوند. تمیز نکردن مخزن زباله ممکن است سبب آسیب دیدن دائمی دستگاه شود.
- از جاروبرقی برای برداشتن اجسام تیز و برنده، اسباب بازی های کوچک، میخ، گیره ی کاغذ و غیره استفاده نکنید.
- این اجسام ممکن است به جاروبرقی یا مخزن زباله آسیب برسانند.
- جاروبرقی را در فضای داخل منزل نگهداری کنید.
- پس از استفاده، جاروبرقی را به کناری بگذارید تا کسی با آن برخورد نکند.
- اجازه ندهید کودکان یا افرادی که شیوه ی کارکردن با جاروبرقی را نمی دانند، به تنهایی و بدون مراقبت از آن استفاده کنند.
- رعایت نکردن این موضوع ممکن است سبب آسیب دیدن جسم یا دستگاه شود.
- تنها از قطعاتی استفاده کنید که نمایندگان ال جی آن ها را پیشنهاد یا تولید می کنند.
- رعایت نکردن این موضوع ممکن است سبب آسیب دیدن دستگاه شود.
- همانگونه که در این راهنما قید شده است از دستگاه استفاده کنید.
- تنها با لوازم و ملحقات مورد تایید یا پیشنهاد ال جی از دستگاه استفاده کنید.
- رعایت نکردن این موضوع ممکن است سبب آسیب دیدن جسم یا دستگاه شود.
- هنگام جارو کردن پله ها برای پیشگیری از آسیب جسمی و پیشگیری از پایین افتادن جاروبرقی همیشه آن را در پایین پله ها قرار دهید.
- رعایت نکردن این موضوع ممکن است سبب آسیب دیدن جسم یا دستگاه شود.

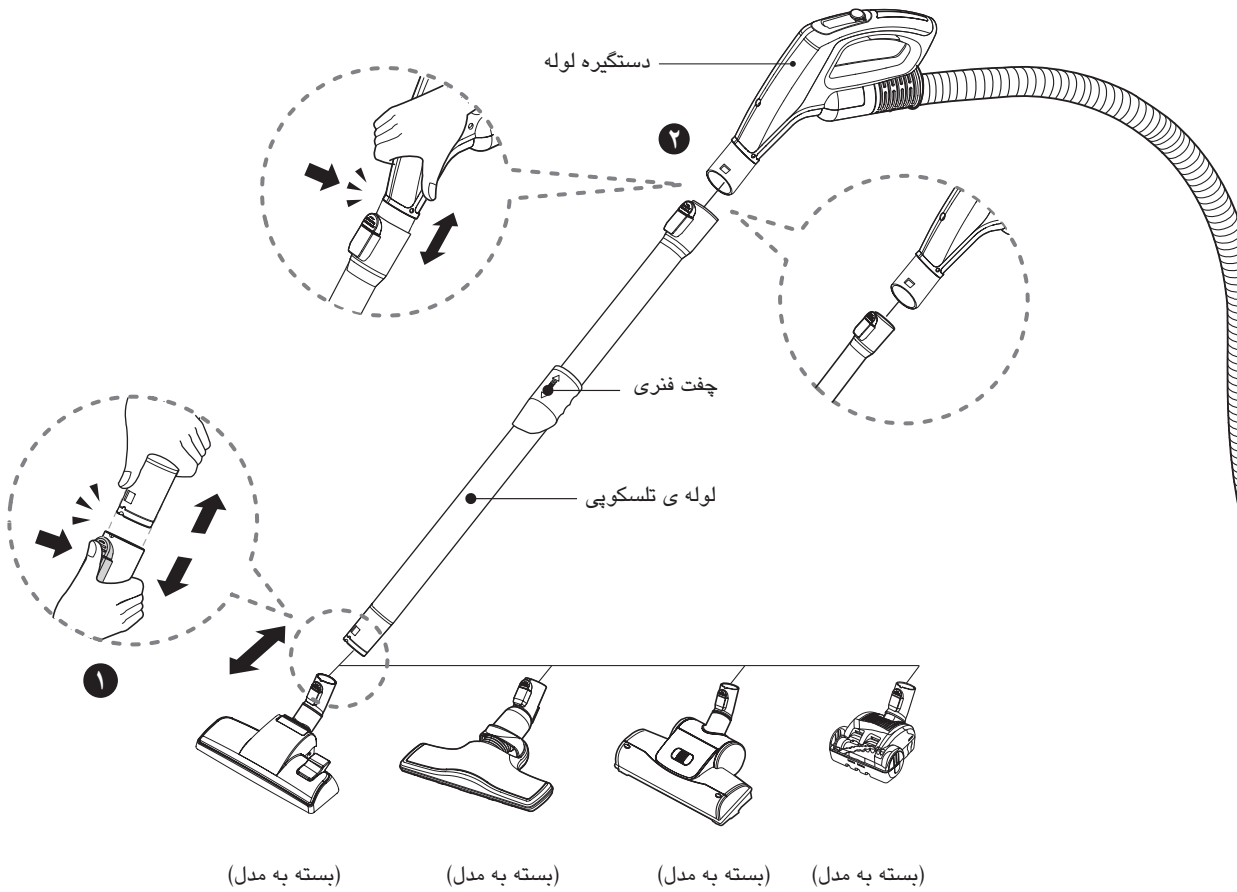
محافظ گرمایی:

این جاروبرقی ترموستات مخصوصی دارد که در صورت گرم شدن بیش از حد موتور از جاروبرقی محافظت می کند. اگر جاروبرقی به طور ناگهانی خاموش شد، کلید اصلی را خاموش کرده و جاروبرقی را از برق بکشید. برای یافتن دلیل گرمای بیش از حد، جاروبرقی را بررسی کنید، مواردی مانند پر بودن سطل زباله، گرفتگی لوله یا انسداد فیلتر. اگر این موارد مشاهده شد، آنها را رفع کرده و پیش از استفاده از جاروبرقی ۳۰ دقیقه صبر کنید. پس از ۳۰ دقیقه دوباره جاروبرقی را به برق متصل نموده و کلید را روشن کنید. اگر بازهم جاروبرقی کار نکرد، با تعمیرکاری مجاز تماس بگیرید.



۳ اتصال لوله تلسکوپی به دستگاه جاروبرقی

رابط لوله ی خرطومی را به داخل محل وصل کردن لوله روی جاروبرقی فشار دهید. برای درآوردن لوله ی خرطومی، دکمه ی روی رابط لوله را فشار دهید، سپس رابط لوله را از داخل جاروبرقی بیرون بکشید.

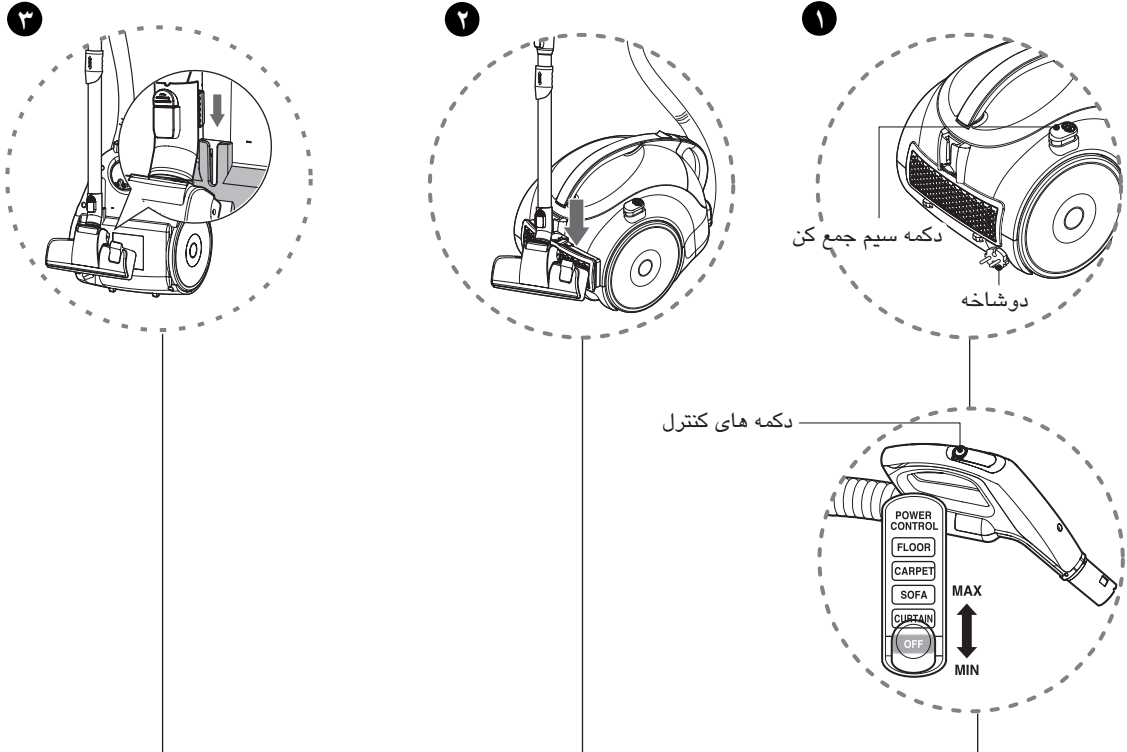


لوله تلسکوپی ۲

نازل فرش و کف ۱

- لوله تلسکوپی را با فشار به داخل دستگیره ی لوله وارد کنید.
- چفت فنری را نگه دارید و لوله ی تلسکوپی را بیرون بکشید.
- لوله تلسکوپی را به اندازه ی دلخواه بیرون بکشید.

نازل را به داخل لوله ی تلسکوپی فشار دهید.



۱ به راه انداختن دستگاه

- کابل برق را به اندازه ی مورد نظر بیرون کشیده و به پریز متصل کنید.
- دکمه ی کنترل روی دستگیره را در حالت مورد نظر خود قرار دهید.
- برای خاموش کردن، دکمه ی کنترل را روی حالت OFF قرار دهید.
- پس از استفاده دکمه ی سیم جمع کن را فشار دهید تا کابل برق جمع شود.

۲ حالت پارک

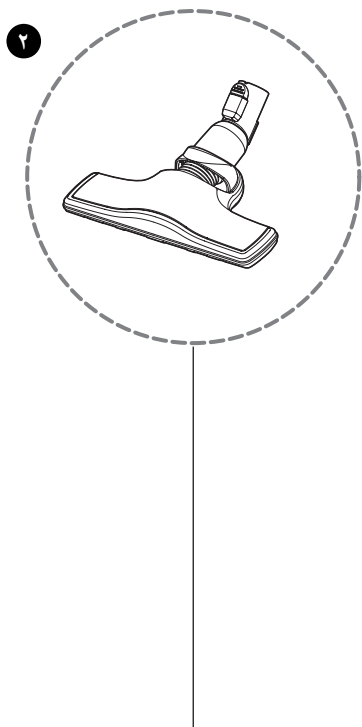
- اگر قصد داشتید در حین جارو کشیدن، جاروبرقی را کنار بگذارید تا میلمان یا فرش را جابجا کنید، از حالت پارک استفاده کنید تا لوله و نازل را نیز نگه دارد.
- گیره ی کشویی روی نازل را وارد شیار کناری جاروبرقی نمایید.

۳ جمع کردن جاروبرقی

- هنگامی که جاروبرقی را خاموش کرده اید و دوشاخه آن را از پریز برق بیرون کشیده اید، دکمه ی سیم جمع کن را فشار دهید تا به صورت خودکار کابل آن را جمع کند.
- اگر گیره ی کشویی نازل را وارد شیار کشویی زیرین جاروبرقی نمایید، می توانید جارو را به صورت عمودی در کناری قرار دهید.

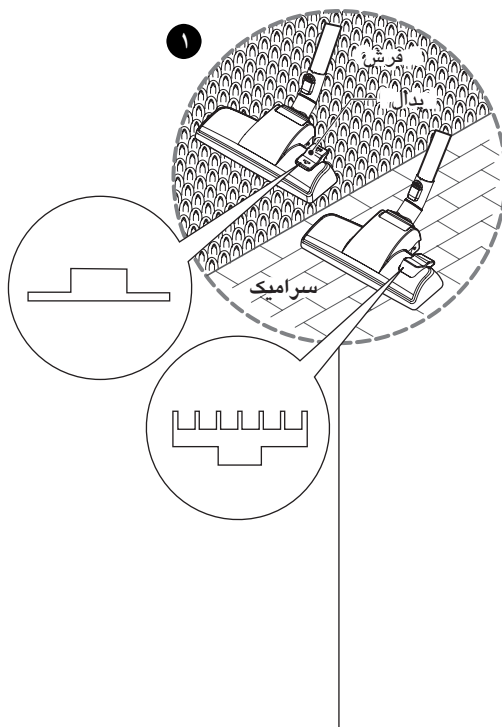
⚠ هشدار

عدم مکش مایعات.
مکش مایعات می تواند باعث خرابی شود.



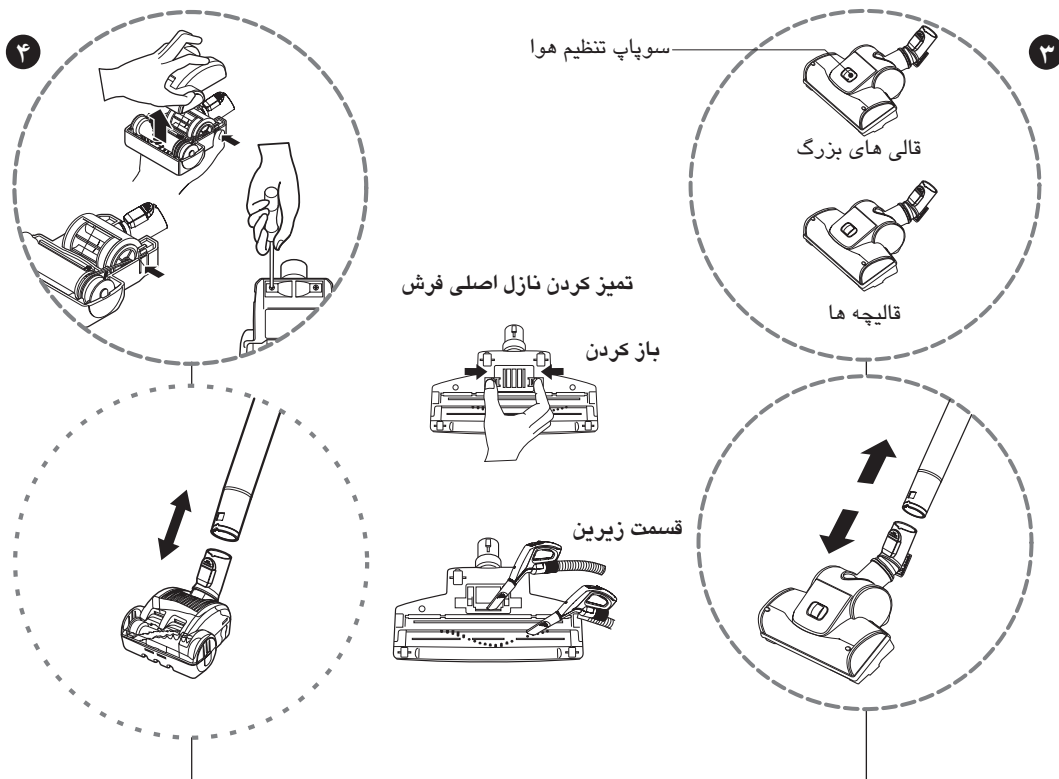
۲ نازل سطوح سخت (بسته به مدل)

- نظافت عالی سطوح سخت (چوب، کفپوش پلاستیکی، غیره)



۱ نازل فرش و کف

- نازل دو وضعیتی
روی این نازل پدالی قرار گرفته است که با فشردن آن می توانید حالت و نوع کف را تغییر دهید.
- حالت فرش یا موکت
پدال (A) را فشار دهید تا برس بیرون بیاید.
- حالت سطوح سخت (سرامیک، پارکت)
پدال (B) را فشار دهید تا برس جمع شود.



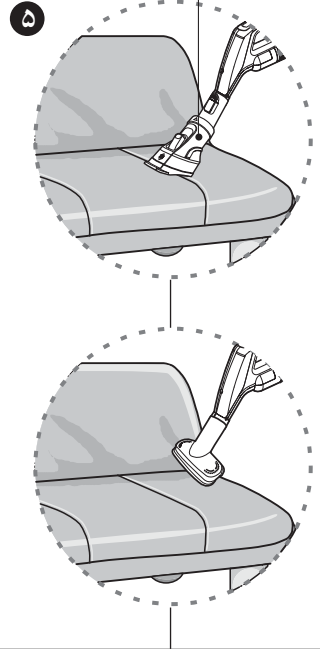
۴ نازل توربینی کوچک (به مدل بستگی دارد)

۳ نازل اصلی فرش (به مدل بستگی دارد)

- از نازل توربینی کوچک برای پله ها و سایر مکان هایی که جارو کردن آنها دشوار است استفاده می شود.
- برای تمیز کردن نازل توربینی کوچک، درپوش نازل را بردارید: دو پیچ زیرین آن را باز کرده و به شکلی که نشان داده شده، درپوش نازل را از آن جدا کنید.
- به طور منظم آن را تمیز کرده و هرگونه مو، نخ و کرک را که به برس آن می چسبید جدا کنید.
- انجام ندادن این کار ممکن است سبب خرابی نازل شود.

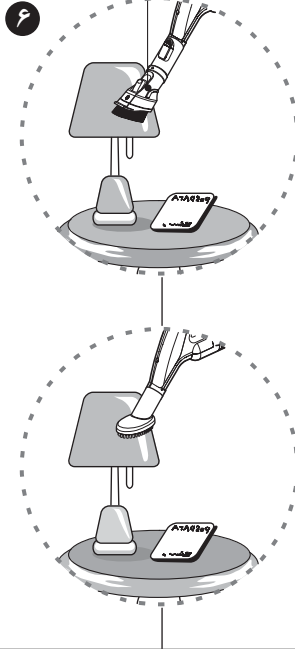
- تمیز کردن برس نازل توربینی
- دکمه ی پشت نازل را فشار دهید تا درپوش هوا را از آن جدا کنید.
- از نازل باریک برای تمیز کردن برس و فن استفاده کنید.

نازل مخصوص مبل
(بسته به مدل)



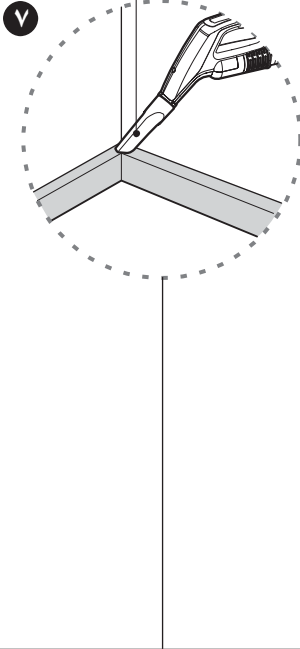
۵ نازل مخصوص مبل

برس غبارروبی
(بسته به مدل)



۶ برس غبارروبی

نازل مخصوص کنج ها



۷ نازل مخصوص کنج ها

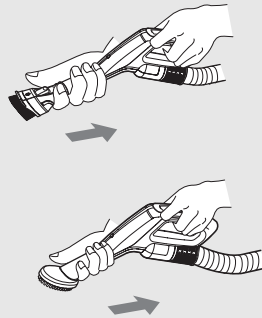
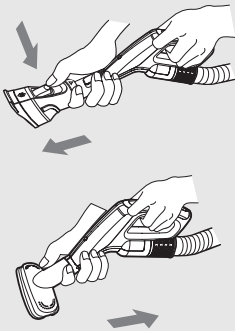
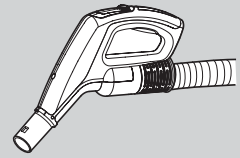
نازل مبل مخصوص جارو کردن مبلمان،
تشک و غیره می باشد.

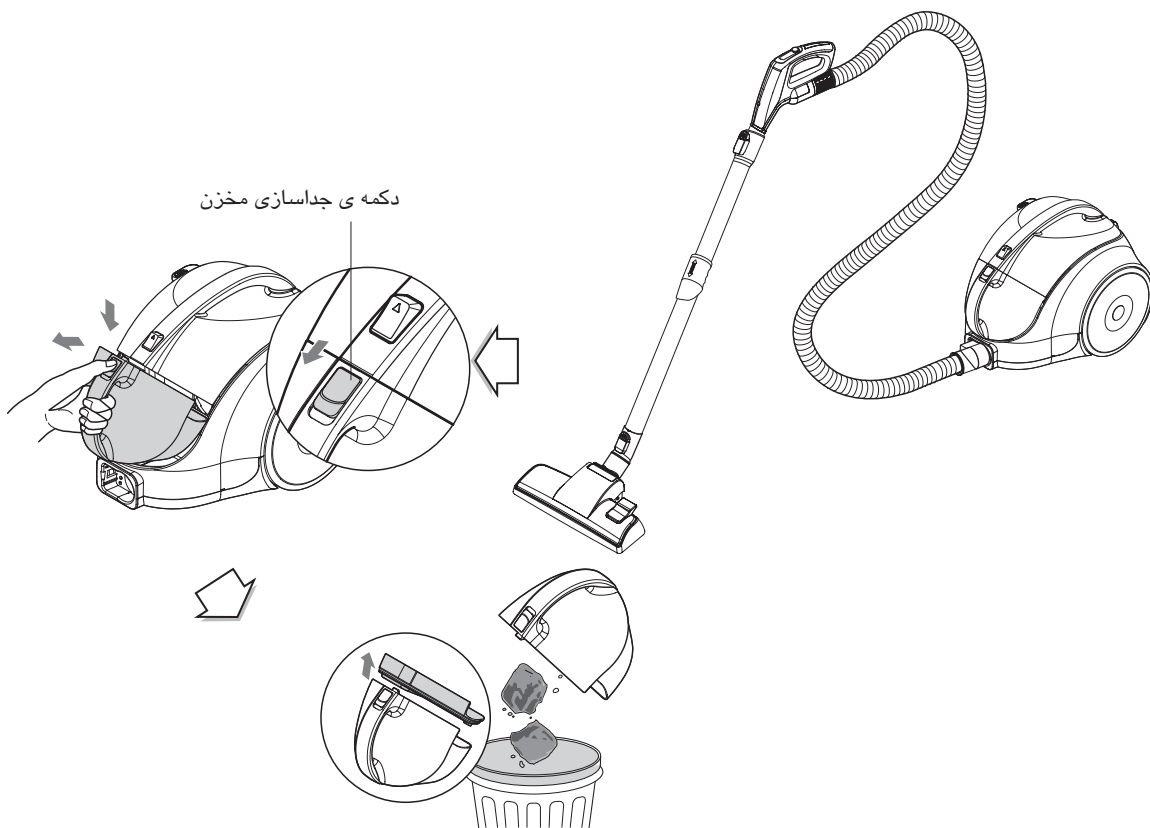
برس غبارروبی مخصوص تمیز
کردن قاب عکس، قسمت های
چوبی مبلمان و سطوح ناهموار است.

نازل مخصوص کنج مناسب جارو کردن
مناطق است که دسترسی به آن دشوار
است، مانند جارو کردن تار عنکبوتها،
یا بین کوسن های مبل.

توجه

در حالت نظافت مبل از برس جانبی استفاده کنید.





توجه

چنانچه پس از خالی کردن مخزن زباله نیز قدرت مکش جارو کم بود، مخزن زباله را تمیز کنید ← صفحه ی بعد

جابجایی جاروبرقی

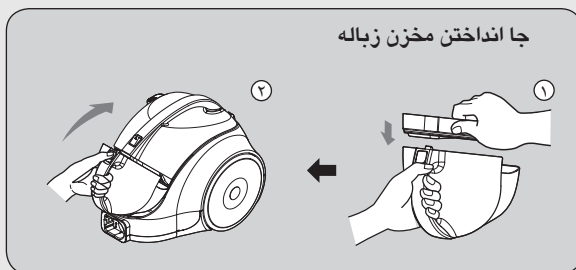
- هنگام جابجا کردن جاروبرقی دسته مخزن زباله را نگیرید. ممکن است بدنه ی جاروبرقی هنگام جدا کردن مخزن زباله، بیافتد.
- هنگام جابجا کردن جاروبرقی دستگیره مخصوص حمل را بگیرید.

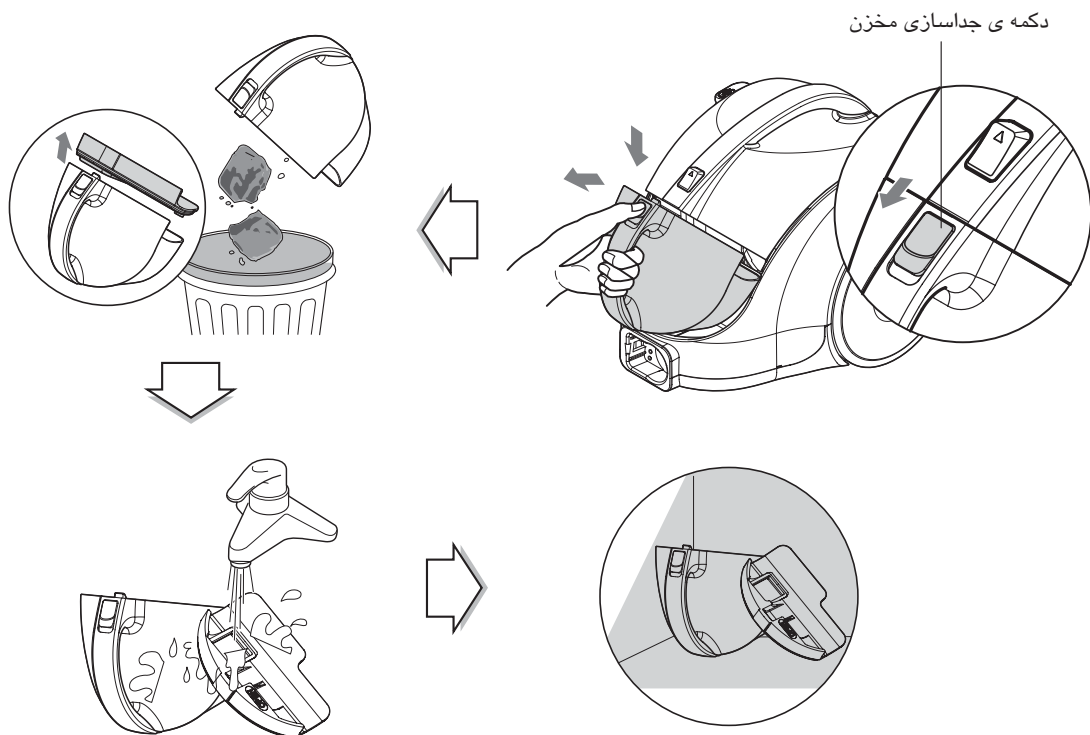


تمیز کردن مخزن زباله

- دستگیره مخزن زباله را گرفته و دکمه جداکردن مخزن را فشار دهید.
- مخزن زباله را بیرون بکشید.
- مخزن را خالی کرده و آن گونه که در تصویر نشان داده شده، در جای خود قرار دهید.

جا انداختن مخزن زباله



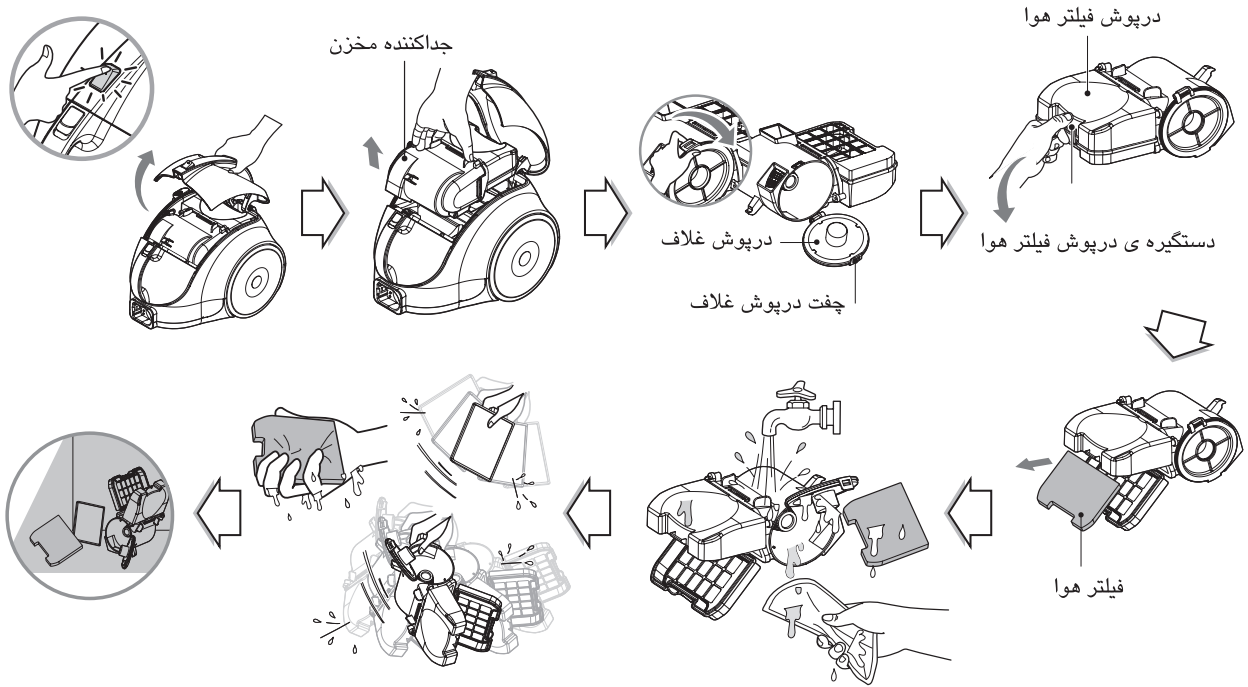


توجه

اگر پس از تمیز کردن مخزن زباله، قدرت مکش بیشتر نشود، فیلتر هوا و فیلتر ایمنی موتور را تمیز کنید ← صفحه ی بعد

- دکمه ی جدا کردن مخزن زباله را فشار داده و مخزن زباله را بیرون بکشید.
- درپوش مخزن زباله را بردارید.
- مخزن زباله را بشویید.
- آن را در سایه خشک کنید تا تمام رطوبت آن خشک شود.

شیوه ی استفاده تمیز کردن فیلتر هوا و فیلتر ایمنی موتور



⚠ هشدار

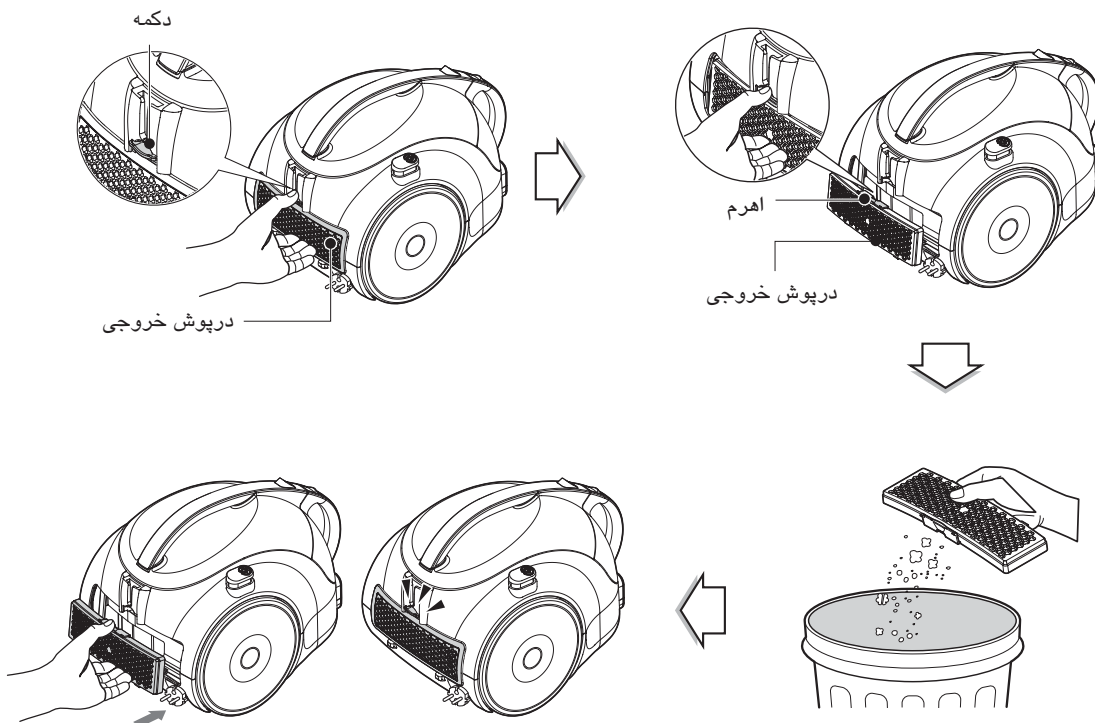
بیش از ۲۴ ساعت در سایه به طور کامل خشک کنید.

توجه

اگر فیلترها آسیب دیده اند از آنها استفاده نکنید.
در این صورت با سرویسکار مجاز گلدیران تماس بگیرید.
فیلترها را حداقل یکبار در هفته بشویید.

- اگر پس از تمیز کردن مخزن زباله، قدرت مکش بیشتر نشد، فیلتر هوا و فیلتر ایمنی موتور را تمیز کنید. همانطور که در شکل نشان داده شده است، فیلتر هوا و فیلتر ایمنی موتور در قسمت بالای جاروبرقی قرار دارند.
- درپوش جاروبرقی را با فشردن این دکمه باز کنید.
 - دستگیره جدا کننده ی گرد و غبار را گرفته و بیرون بیاورید.
 - درپوش غلاف را با کشیدن دسته آن باز کنید و گرد و غبار را تمیز کنید.
 - درپوش فیلتر هوا را با کشیدن دستگیره ی درپوش بیرون بیاورید.
 - فیلتر ایمنی موتور را از جداکننده گرد و غبار جدا کنید.
 - فیلتر هوا و فیلتر ایمنی موتور را بشویید.
 - این فیلترها را با آب داغ نشویید.
 - آنها را در سایه خشک کنید تا تمام رطوبت آن خشک شود.
 - فیلتر هوا و فیلتر ایمنی موتور باید همانند شکل تمیز باشند.

شیوه ی استفاده تمیز کردن فیلتر خروجی هوا



- فیلتر خروجی هوا یک فیلتر قابل استفاده ی مجدد HEPA است.
- برای تعویض فیلتر خروجی هوا، با قلاب مخصوص باز کردن آن، درپوش فیلتر را باز کنید.
- فیلتر خروجی هوا را بیرون بکشید.
- فیلتر ضد غبار. (این فیلتر را با آب نشویید)
- فیلتر خروجی هوا باید حداقل سالی یک بار تمیز شود.

اگر جاروبرقی کار نکند چه باید کرد

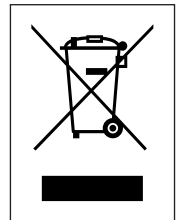
بررسی کنید که جاروبرقی به برق وصل باشد و پریز برق درست باشد.

هنگامی که مکش کم می شود چه باید کرد

- جاروبرقی را خاموش کرده و از برق بکشید.
- لوله تلسکوپی، لوله خرطومی و لوله انعطاف پذیر را بررسی کنید که گرفتگی نداشته باشند.
- بررسی کنید که مخزن زباله پر نباشد. در صورت لزوم آن را خالی کنید.
- بررسی کنید که در فیلتر خروجی هوا انسداد به وجود نیامده باشد. در صورت لزوم فیلتر را تمیز کنید.
- بررسی کنید که فیلتر هوا و فیلتر ایمنی موتور مسدود نشده باشند. در صورت نیاز آنها را تمیز کنید.
- قسمت داخلی جدا کننده ی گرد و غبار را بررسی کنید. در صورت نیاز آن قسمت را تمیز کنید.

از بین بردن وسایل قدیمی

۱. هرگاه این علامت مخزن زباله ی چرخدار ضربه‌خورده روی محصولی وجود داشت، به این معناست که این محصول تحت پوشش European Directive 2002/96/EC است.
۲. تمامی وسایل برقی و الکترونیکی باید جدای از سیستم زباله ی شهری و از طریق سیستمی که دولت یا مقامات محلی تعیین کرده اند دفع شوند.
۳. دفع صحیح لوازم قدیمی شما سبب پیشگیری از عواقب بالقوه ی منفی برای محیط زیست و سلامت انسان خواهد شد.
۴. برای کسب اطلاعات بیشتر راجع به از بین بردن وسایل قدیمی خود لطفاً با شهرداری، خدمات دفع زباله یا فروشگاه‌های که آن محصول را از آن خریداری نموده آید تماس بگیرید.



فهرست نمایندگان لوازم خانگی شرکت خدمات گلديران

تلفن	شهر	كد نماينده
۷۷۲۳۴۹۰	اشتهارد	۲۰۱۲۳
۶۶۴۷۷۵۱	كرج	۲۰۱۲۴
۴۲۰۰۹۱۲	كرج	۵۰۱۸۶
۴۲۰۰۹۱۲	كرج	۶۰۱۸۹
۴۲۰۰۹۱۲-۴۲۰۰۹۰۵-۶	كرج	۸۰۱۶۹
۲۳۵۲۸۴۲	ايلام	۲۲۴۰۱
۲۳۶۴۷۳۰	ايلام	۲۲۴۰۲
۶۲۲۶۲۱۱-۶۲۲۰۱۱۰	آبدانان	۲۲۴۰۳
۵۲۲۷۶۹۲	دره شهر	۲۲۴۰۴
۷۲۲۹۶۶۸	دهلران	۲۵۱۹۹
۸۲۲۲۶۰۶	بندر دير	۲۱۲۰۴
۴۲۴۲۷۹۸	برازجان	۲۱۲۰۹
۷۶۲۴۳۱۸	ولایت جم	۲۱۲۱۱
۲۵۴۳۵۹۹-۲۵۴۳۵۹۸	بوشهر	۲۱۲۱۲
۲۲۴۰۴۰۲-۲۲۴۰۴۰۱-۲۲۰۸۱۵۵	كرج	۲۰۱۰۲
۲۲۵۲۵۲	ورامين	۲۰۱۰۳
۲۳۵۱۱۲۳	اسلامشهر	۲۰۱۰۵
۷۷۳۵۹۱۶۲-۷۷۷۸۰۴۰۰	تهران	۲۰۱۰۹
۳-۶۶۵۷۴۱۰۰-۶۶۵۷۴۱۱۰۵	تهران	۲۰۱۱۰
۲۲۵۰۴۴۵۰-۲۲۳۰۱۷۱۹-۲۲۳۱۲۹۶۵	تهران	۲۰۱۱۱
۶۶۰۰۴۷۸۴	تهران	۲۰۱۱۲
۵-۶۶۳۸۹۸۸۴	تهران	۲۰۱۱۸
۴۴۴۲۷۶۶۵	تهران	۲۰۱۲۰
۳۰۳۷۸۹۳-۳۰۴۰۸۴۳	پاکدشت	۲۰۱۲۱
۵۲۳۴۶۶۴-۵۲۳۲۴۵۴	دماوند	۲۰۱۲۲
۸۷۷۲۲۰۷-۸۹۳۰۵۱۰۱-۳	تهران	۲۰۱۲۳
۳۵۲۲۱۹۹-۳۵۲۱۲۲۲-۳۵۲۷۵۳۰	كرج	۲۰۱۲۴
۵-۳۳۰۵۷۳۳۴	تهران	۲۰۱۲۵
۳۲۵۵۸۰۹-۳۲۵۵۸۲۴-۳۲۵۵۸۲۰	شهریار	۲۰۱۲۶
۶۶۲۸۹۸۸۹-۶۶۲۸۵۷۵۸	تهران	۲۰۱۲۷
۵۵۹۵۵۰۰۰-۵۵۹۰۳۹۰۰	تهران	۲۰۱۲۸
۸۸۷۰۳۶۰۸-۸۹۳۰۵۳۰۵	تهران	۲۰۱۳۰
۴۶۸۸۱۹۹۶	شهرقدس	۲۰۱۳۲
۴۲۳۹۳۸۹	رباط كريم	۲۵۱۹۶
۵۶۵۴۶۹۷۸	تهران	۶۰۱۶۰
۸۸۵۵۵۶۴۲	تهران	۶۰۱۸۱
۴-۸۸۶۸۶۰۵۳	تهران	۸۰۱۶۱
۲۲۲۴۲۸۱	شهرکرد	۲۲۷۰۱
۴۲۳۸۹۲۴	بروجن	۲۲۷۰۲
۷۲۳۹۴۰۰	فارسان	۲۲۷۰۴
۲۲۲۱۱۰۱	فردوس	۲۰۲۲۸
۲۲۲۱۱۹۰-۲۲۲۴۵۷۷	بیرجند	۲۵۲۴۸
۸۴۲۰۲۲۷	مشهد	۲۰۲۰۱
۳۳۳۰۴۰۰-۳۳۳۰۳۰۰	نیشابور	۲۰۲۰۴
۲۲۲۵۸۵۵	سبزوار	۲۰۲۰۵
۷۷۲۲۲۵۲	خلیل آباد	۲۰۲۰۸
۲۲۴۲۵۱۵	قوچان	۲۰۲۱۱
۲۲۲۳۴۷۷-۲۲۱۲۴۷۷	تربت حیدریه	۲۰۲۱۲
۸۹۱۱۳۳۳	مشهد	۲۰۲۱۴
۸۲۲۲۸۵۵	کاشمر	۲۰۲۱۵

تلفن	شهر	كد نماينده
۲۲۲۰۰۶۶-۲۲۲۸۵۲۷	مراغه	۲۰۸۰۲
۲۲۲۲۰۲۲-۲۲۲۳۶۷۹	ميانه	۲۰۸۰۳
۲۳۰۴۷۸۹	تبريز	۲۰۸۰۴
۶۲۲۳۸۱۵-۶۲۲۹۹۴۹	عجبشیر	۲۰۸۰۶
۴۲۲۳۸۸۲	آذرشهر	۲۰۸۰۷
۳۰۴۲۵۹۶	هادی شهر	۲۰۸۰۸
۸۲۲۳۶۶۵	ملکان	۲۰۸۰۹
۲۲۳۹۲۴۱	مراغه	۲۰۸۱۲
۷۲۳۰۲۴۰	بناب	۲۰۸۱۷
۲۲۲۰۲۰۲	شبستر	۲۰۸۱۸
۲۲۴۰۹۲۰-۲۲۲۰۲۵۰	ارومیه	۲۰۹۰۱
۲۲۲۵۱۴۵	مهاباد	۲۰۹۰۳
۵۲۴۳۷۵۸	سلماس	۲۰۹۰۵
۲۳۳۴۶۲۱	میاندوآب	۲۰۹۰۷
۲۳۴۵۹۰۰	ماکو	۲۰۹۰۸
۳۸۴۲۱۷۰-۳۸۴۲۴۹۳	ارومیه	۲۰۹۰۹
۴۲۲۲۱۳۳	شاهین دژ	۲۰۹۱۰
۶۲۶۰۶۳۴	نقده	۲۰۹۱۱
۵۴۰۲۳۳۶-۵۴۰۶۲۸۴-۵۴۲۲۵۲۲	تبريز	۲۰۸۱۳
۲۲۲۱۲۲۳-۲۲۶۳۰۱۳	مرند	۲۰۸۱۴
۲۳۳۳۴۴۴	اهر	۲۰۸۱۵
۲۳۳۳۶۷۰	سراب	۲۰۸۱۶
۲۶۶۳۷۵۰	خسروشهر	۲۰۸۱۹
۶۲۴۳۸۵۲-۶۲۴۳۸۵۳-۶۲۲۴۶۲۰	یوکان	۲۰۹۰۴
۴۲۲۹۹۱۸	پیرانشهر	۲۰۹۱۳
۲۴۴۴۵۰۸	خوی	۲۰۹۱۴
۲۷۲۶۶۸۶	قره ضیاءالدین	۲۰۹۱۵
۶۲۳۱۳۳۲	نقده	۲۰۹۱۶
۵۲۲۴۳۱۰	تکاب	۲۰۹۱۷
۳۴۴۰۱۲۳	ارومیه	۲۰۹۱۸
۶۶۱۷۸۱۴-۶۶۱۸۰۰۱	اردبیل	۲۲۲۰۱
۷۲۳۰۰۰۱	پارس آباد مغان	۲۲۲۰۲
۴۲۳۱۴۲۰	خلخال	۲۲۲۰۳
۵۲۳۹۱۱۸-۵۲۴۰۸۸۸	مشکین شهر	۲۲۲۰۴
۶۲۴۳۶۶۲-۶۲۸۰۲۵۶-۶۲۴۳۶۶۲	اصفهان	۲۰۳۰۱
۳۶۵۲۸۴۴	خمینی شهر	۲۰۳۰۵
۵۲۳۵۰۰۰	مبارکه	۲۰۳۰۶
۲۲۲۸۹۱۹	گلپایگان	۲۰۳۰۷
۴۲۲۲۲۲۲	داران	۲۰۳۰۸
۴۲۴۳۰۰۰-۴۴۶۷۵۰۰	کاشان	۲۰۳۰۹
۲۲۲۲۱۲۰	شهرضا	۲۰۳۱۰
۵۲۴۹۹۹۳	شاهین شهر	۲۰۳۱۲
۴۲۴۳۲۷۸	نطنز	۲۰۳۱۳
۳۲۴۳۳۰۹	گلپایگان	۲۰۳۱۴
۴۴۷۱۱۹۰	کاشان	۲۰۳۱۵
۲۶۲۷۸۳۲	نجف آباد	۲۰۳۱۶
۲۲۵۸۱۷۵۱-۲۲۶۳۲۷۹	اصفهان	۲۰۳۱۷
۲۲۵۱۳۲۷	نائین	۲۰۳۱۸
۱۶۹۵۸۶۰۰	هشتگرد	۲۰۱۲۹
۴۴۲۵۶۶۷	كرج	۲۰۱۲۱

فهرست نمایندگان لوازم خانگی شرکت خدمات گلدیران

کد نماینده	شهر	تلفن
۲۲۶۰۵	زابل	۲۲۵۹۱۹
۲۲۶۰۶	ایرانشهر	۲۲۳۰۱۳۷
۲۰۴۰۲	آباده	۲۲۳۸۵۹۹-۲۲۳۴۴۸۸
۲۰۴۰۳	داراب	۶۲۴۴۵۶۲
۲۰۴۰۴	فسا	۲۲۲۶۰۱۰-۲۲۳۶۰۱۰
۲۰۴۰۷	خنج	۲۲۵۲۴۹۴-۴۵۲۲۴۹۵
۲۰۴۰۹	مرودشت	۲۲۳۲۷۵۴
۲۰۴۱۰	نیریز	۵۲۳۹۱۴۲-۵۲۳۱۵۸۸
۲۰۴۱۲	نورآباد ممسنی	۴۲۳۳۷۸۷
۲۰۴۱۴	کازرون	۲۲۲۵۳۶۳
۲۰۴۱۵	ارسنجان	۷۶۲۵۷۷۵
۲۰۴۱۷	شیراز	۱-۸۲۰۹۲۷۲
۲۰۴۱۸	چهرم	۴۴۴۵۷۴۷
۲۰۴۱۹	نورآباد ممسنی	۴۲۲۴۳۲۹
۲۰۴۲۰	شیراز	۷۲۷۳۴۶۷-۷۲۷۷۰۵۹
۲۰۴۲۱	لارستان	۲۲۲۶۰۲۲
۲۰۴۲۲	خرم بید	۳۵۲۱۳۰۸
۲۰۴۲۳	لامرد	۵۲۳۴۰۵۴-۵۲۳۲۹۸۵
۲۰۴۲۴	فیروزآباد	۶۲۳۶۵۶۵
۲۰۴۲۵	اقلید فارس	۴۲۲۲۹۵۳
۲۰۴۲۶	شیراز	۶۲۵۱۱۷۳
۲۱۴۰۱	قزوین	۲۲۳۲۱۸۳
۲۱۴۰۲	قزوین	۲۵۶۳۱۱۸-۲۵۶۸۸۱۱
۲۱۴۰۴	تاکستان	۵۲۲۸۲۳۹
۲۱۴۰۵	قزوین	۳۲۲۸۴۴۶
۲۱۴۰۶	بوئین زهرا	۴۲۲۵۲۳۵
۲۵۰۴۱	قزوین	۳۳۲۵۶۴۶-۳۳۲۱۱۴۲-۳
۲۱۵۰۱	قم	۶۶۰۱۴۸۰
۲۵۰۳۳	قم	۷۶۰۳۴۳۴
۲۲۳۰۱	سنندج	۳۲۸۱۳۶۹-۳۲۴۷۵۴۵
۲۲۳۰۲	بیجار	۴۲۲۵۶۲۲-۴۲۲۲۲۵۸
۲۲۳۰۳	سقز	۲۲۳۸۸۸۲-۲۲۳۸۸۸۱
۲۲۳۰۵	سنندج	۳۲۳۷۷۰۶
۲۱۷۰۴	کهنوج	۵۲۲۶۵۱۱
۲۱۷۰۵	رفسنجان	۵۲۲۸۴۶۹
۲۱۷۰۷	سیرجان	۳۲۲۱۶۹۸
۲۱۷۰۸	عنبرآباد	۴۶۲۳۳۱۱
۲۱۷۰۹	رفسنجان	۵۲۲۰۹۵۹
۲۱۷۱۱	کرمان	۲۴۴۹۴۲۰
۲۱۷۱۲	یافت	۴۲۲۴۴۴۰
۲۱۷۱۳	انار	۳۲۲۲۱۱۶
۲۱۷۱۴	بم	۲۲۱۴۷۸۴
۲۱۷۱۵	جیرفت	۲۳۱۶۶۳۱-۲۴۱۴۱۹۵
۲۱۶۰۲	کرمانشاه	۷۲۲۵۶۲۷
۲۱۶۰۳	کرمانشاه	۸۲۴۳۳۴۳-۸۲۳۴۵۰۰
۲۱۶۰۴	سرپل ذهاب	۲۲۲۱۴۰۶
۲۱۶۰۵	اسلام آباد غرب	۵۲۳۲۱۸۲-۵۲۳۷۸۶۷
۲۱۶۰۶	کرمانشاه	۷۲۳۷۱۰۳
۲۱۶۰۷	صحنه	۳۲۳۷۰۳۲
۲۱۶۰۸	جوانرود	۶۲۲۲۵۱۲

کد نماینده	شهر	تلفن
۲۰۲۱۷	تربت حیدریه	۲۲۳۰۰۰۱
۲۰۲۲۰	چناران	۶۲۲۶۴۴۶-۶۲۲۹۱۹۲
۲۰۲۲۲	سبزوار	۲۲۲۹۵۶۰-۲۲۳۸۳۴۸
۲۰۲۲۳	خواف	۴۲۲۶۸۹۳
۲۰۲۲۴	سرخس	۵۲۳۹۵۱۶-۵۲۳۱۲۱۱
۲۰۲۲۵	گناباد	۷۲۵۱۶۶۱
۲۰۲۲۶	مشهد	۸۵۹۷۷۷۶
۲۰۲۲۷	مشهد	۷۲۵۷۸۸۹
۲۰۲۲۹	تایباد	۴۲۳۰۵۶۹
۲۰۲۳۰	فریمان	۶۲۲۲۶۷۹
۲۰۲۳۱	تربت جام	۲۲۲۴۲۱۱
۲۰۲۰۳	بجنورد	۲۲۲۹۶۴۱-۲۲۵۰۷۰۵
۲۰۲۰۹	شیروان	۶۲۲۷۸۵۴
۲۰۲۱۸	اسفراین	۷۲۲۲۶۶۹
۲۰۲۱۹	اشخانه	۴۲۲۵۶۵۵
۲۰۲۲۱	گرمه	۳۲۵۳۳۹۹۰
۲۵۰۰۷	بجنورد	۲۲۳۳۹۵۲-۲۲۳۸۰۴۵
۲۰۵۰۳	آبادان	۴۴۳۳۲۱۲-۴۴۳۱۲۸۸
۲۰۵۰۷	دزفول	۲۲۲۲۸۱۳-۲۲۲۹۴۰۰-۲۲۴۲۲۲۰
۲۰۵۰۹	دزفول	۲۲۲۷۳۹۹
۲۰۵۱۰	خرمشهر	۴۲۲۳۸۱۲-۴۲۲۳۰۶۰
۲۰۵۱۱	ماهشهر	۲۲۲۶۵۹۷-۲۲۳۱۸۲۲
۲۰۵۱۳	شوش دانیال	۵۲۲۷۱۲۱
۲۰۵۱۴	شوشتر	۶۲۴۳۸۰۰
۲۰۵۱۷	شادگان	۳۲۲۰۰۶۸
۲۰۵۲۱	خرمشهر	۴۲۲۶۳۳۲-۴۲۲۸۲۲۲
۲۰۵۲۴	ایذه	۵۲۳۱۲۱۱
۲۰۵۲۵	رامهرمز	۲۲۲۰۴۱۵
۲۰۵۲۷	بندر امام	۲۲۳۰۰۲۳
۲۰۵۳۰	اندیمشک	۴۲۲۵۵۷۲
۲۰۵۳۲	اهواز	۱-۲۹۲۴۱۰۰
۲۰۵۳۳	آبادان	۴۴۴۴۴۰۰-۴۴۴۶۸۵۳
۲۰۵۳۴	بهبهان	۴۲۲۵۲۲۷
۲۰۵۳۵	امیدیه	۳۲۳۱۹۸۹
۲۵۲۱۴	اندیمشک	۴۲۲۰۸۱۴
۲۵۳۰۵	باغملک	۴۲۲۱۴۱۴
۶۰۱۸۲	اهواز	۶۱۱۳۳۷۹۷۸۷
۲۲۰۰۱	زنجان	۷۲۷۵۹۲۲
۲۲۰۰۲	ایهر	۵۲۷۷۷۱۱
۲۲۰۰۳	خدایبند (قیدار)	۴۲۲۰۹۰۷
۲۲۰۰۴	خرم دره	۵۵۲۳۷۳۵
۲۰۷۰۸	محمود آباد	۷۷۴۶۰۸۳
۲۰۷۲۳	فریدونکنار	۵۶۵۱۴۵۰-۵۶۵۱۴۵۱
۲۲۵۰۱	سمنان	۳۲۳۲۱۰۴-۳۲۳۶۸۷۷
۲۲۵۰۲	دامغان	۵۲۴۳۶۱۵
۲۲۵۰۳	گرمسار	۴۲۲۵۷۶۷
۲۲۵۰۴	شاهرود	۳۲۳۴۷۱۷
۲۲۵۰۵	شاهرود	۲۲۲۱۹۶۵
۲۲۶۰۳	زاهدان	۳۲۶۳۷۲۹-۳۲۶۳۷۳۹-۳۲۶۳۷
۲۲۶۰۴	چابهار	۴۲۸۳۵۱۸

فهرست نمایندگان لوازم خانگی شرکت خدمات گلديران

کد نماینده	شهر	تلفن
۲۲۱۰۸	کوهدشت	۶۲۲۸۳۱۰
۲۲۱۰۹	بروجرد	۲۶۱۷۹۸۱-۴۴۶۰۹۲۲
۲۲۱۱۰	دورود	۴۲۲۹۸۳۱
۲۰۶۲۳	رامسر	۵۲۵۹۹۶۸
۲۰۷۰۳	بابل	۳۲۷۲۹۴۹-۳۲۷۱۹۴۸
۲۰۷۰۴	بابلسر	۵۲۳۲۱۳۳-۵۲۵۴۷۲۳
۲۰۷۱۰	نور	۶۲۲۲۶۱۰
۲۰۷۱۲	تنکابن	۴۲۲۵۳۸۲
۲۰۷۱۳	خزرشهر	۵۲۲۵۶۹۳
۲۰۷۱۴	محمودآباد	۷۷۴۵۴۴۶
۲۰۷۱۵	جویبار	۳۲۲۸۴۴۸
۲۰۷۱۶	نکاه	۵۶۲۵۷۲۲
۲۰۷۱۷	گلوگاه	۶۲۲۲۷۹۳
۲۰۷۲۰	تنکابن	۴۲۸۲۱۹۹
۲۰۷۱۲	چالوس	۲۲۲۶۷۸۲
۲۰۷۲۲	قائم شهر	۲۲۲۰۶۹۵
۲۰۷۲۵	فریدون کنار	۵۶۵۴۳۰۹
۲۰۷۲۷	ساری	۳۲۱۳۰۴۸
۲۰۷۲۸	ساری	۲۲۶۳۵۳۵
۲۰۷۳۰	آمل	۳۲۶۹۱۶۲
۲۰۷۳۱	عباس آباد تنکابن	۴۶۲۶۶۱۵
۲۰۷۳۲	نوشهر	۳۲۳۶۲۲۱
۲۰۷۳۴	قائم شهر	۲۲۴۷۷۲۹
۲۰۷۳۵	نوشهر	۳۲۳۹۷۶۰-۳۲۳۴۸۰۴-۱۹۳۹۰۹۷
۲۰۷۳۶	بابل	۳۲۹۶۲۲۶-۳۲۹۶۲۵۹
۲۰۷۳۷	کلاردشت	۲۶۲۰۰۵۵
۲۰۷۳۸	آمل	۲۲۸۲۲۲۸
۲۰۷۳۹	چالوس	۲۲۱۶۷۱۴
۲۰۷۴۰	سوادکوه	۵۲۲۲۶۷۸-۵۲۲۱۶۰۰
۲۰۷۴۱	رویان	۶۲۴۵۱۹۵-۶۲۴۲۷۴۸
۲۰۷۴۲	چمستان	۵۲۲۹۲۷۳
۲۰۷۴۳	ساری	۳۱۱۹۴۶۵-۳۲۵۵۴۶۵
۲۱۹۰۱	اراک	۲۲۴۹۴۱۰
۲۱۹۰۲	خمین	۲۲۲۴۴۱۰
۲۱۹۰۳	ساوه	۲۲۲۴۶۵۴-۲۲۲۰۹۰۰-۴۲۳۷۴۷۰-۱
۲۱۹۰۵	دلیجان	۴۲۲۸۱۹۰
۲۱۹۰۶	اراک	۳۶۶۷۲۹۲-۳۶۸۱۴۴۰-۲
۲۱۹۰۷	مامونیه	۵۲۲۸۱۹۱
۲۱۹۰۸	محلات	۳۲۲۳۶۶۲
۲۱۱۰۴	بندرلنگه	۲۲۴۲۴۴۱
۲۱۱۰۶	میناب	۲۲۸۳۰۷۴
۲۱۱۱۱	بندرعباس	۳۳۵۴۰۰۲-۳۳۴۰۷۳۹
۲۱۱۱۲	جزیره کیش	۴۴۶۲۶۷۴-۴۴۲۱۵۶۰
۲۱۱۱۳	رودان	۴۲۲۷۰۵۲
۲۱۸۰۱	همدان	۲۵۱۳۳۳۴-۲۵۶۲۶۷۶-۶۲۴۶۷۴۵
۲۱۸۰۳	ملایر	۲۲۲۸۹۰۰
۲۱۸۰۴	اسدآباد	۳۲۲۵۱۸۴
۲۱۸۰۵	همدان	۲۵۴۵۵۹۳
۲۱۸۰۶	کیبودرآهنگ	۵۲۲۶۹۹۶-۵۲۲۲۸۰۵
۲۱۳۰۲	یزد	۸۲۸۹۰۷۵

کد نماینده	شهر	تلفن
۲۱۶۰۹	کنگاور	۹۱۸۸۳۷۶۰۸۱
۲۲۸۰۱	دوگنبدان	۹۱۷۶۶۰۱۰۷۰-۹۳۵۶۰۴۹۸۰۲
۲۲۳۰۷	مریوان	۹۱۸۹۸۵۰۶۹۴-۹۳۷۴۸۲۴۲۳۸
۲۱۷۱۶	کرمان	۹۱۳۳۹۹۶۸۵۰
۲۵۱۸۱	زرنند	۹۱۳۳۹۷۲۳۴۱
۲۲۸۰۳	یاسوج	۹۱۷۷۴۱۷۲۶۹
۲۱۰۰۲	گنبدکاووس	۹۱۱۱۷۲۱۷۱۴
۲۱۰۰۳	کردکوی	۹۱۱۳۷۵۷۹۱۱
۲۱۰۰۴	علی آباد کتول	۹۱۱۳۷۳۰۰۰۳
۲۱۰۰۵	گرگان	۹۱۱۳۷۷۱۳۰۰-۹۱۱۱۷۰۴۰۱۹
۲۱۰۰۶	آق قلا	۹۱۱۷۵۲۰۹۸
۲۱۰۰۷	کلاله	۹۱۱۹۷۶۴۰۲۶
۲۱۰۰۹	مینودشت	۹۱۱۳۷۴۰۶۱۶-۹۱۱۱۷۷۶۰۹۹
۲۱۰۱۰	گرگان	۹۱۱۱۷۵۶۹۷۲
۲۱۰۰۸	گنبدکاووس	۹۱۱۳۷۲۳۳۱۴
۲۰۶۰۱	رشت	۹۱۱۳۳۱۴۳۵۱
۲۰۶۰۳	بندرآنزلی	۹۱۱۱۸۳۹۱۱۰
۲۰۶۰۵	لامهیجان	۹۱۱۱۴۱۴۴۷۱
۲۰۶۰۶	لنگرود	۹۱۱۱۴۵۴۷۸۴
۲۰۶۰۷	رودسر	۹۱۱۱۴۲۱۲۰۱
۲۰۶۰۸	تالش	۹۱۱۱۸۱۹۳۲۲
۲۰۶۰۹	تالش	۹۱۱۳۸۲۳۰۱۲
۲۰۶۱۱	آستانه اشرفیه	۹۱۱۱۴۲۴۶۳۱
۲۰۶۱۲	رضوان شهر	۹۱۱۱۴۸۰۴۸۹
۲۰۶۱۳	خمام	۹۱۱۳۳۹۷۷۴۷
۲۰۶۱۴	رودبار	۹۱۱۱۳۶۹۷۸۱
۲۰۶۱۵	صومعه سرا	۹۱۱۱۳۲۲۱۰۷
۲۰۶۱۶	لوشان	۹۱۱۱۳۸۵۹۶۵
۲۰۶۱۸	رشت	۹۱۱۱۳۲۰۷۸۳
۲۰۶۱۹	بندر آنزلی	۹۱۱۱۸۱۱۱۹۸
۲۰۶۲۰	لشت نشاء	۹۱۱۳۳۵۳۵۶
۲۰۶۲۱	کلاچای	۹۱۱۳۴۲۵۰۱۳
۲۰۶۲۲	املش	۹۱۱۱۴۲۱۴۳۶
۲۰۶۲۴	لامهیجان	۹۱۱۱۴۱۴۳۴۵
۲۰۶۲۵	صومعه سرا	۹۱۱۳۸۲۱۰۴۱
۲۰۶۲۶	رشت	۹۱۱۱۳۱۴۹۷۶
۲۰۶۲۷	فومن	۰۹۱۱۱۳۸۶۰۹۷-۹۳۵۱۳۸۶۰۹۷
۲۰۶۲۸	آستارا	۹۱۱۱۸۵۴۹۸۱
۲۰۶۲۹	سیاهکل	۹۱۱۷۴۸۸۱۵۸
۲۰۶۳۰	رستم آباد رودبار	۹۱۱۳۳۷۱۸۵۹
۲۰۶۳۱	رشت	۹۱۱۳۳۵۲۰۵۱
۲۰۶۳۲	ماسال	۹۱۱۹۸۳۹۵۸۰
۲۰۶۳۳	آستارا	۹۱۱۱۸۵۵۱۵۳
۲۰۷۱۸	بهشهر	۹۱۱۱۵۶۶۵۰۳-۹۱۱۸۶۳۵۸۴۴
۲۰۷۳۳	تنکابن	۹۱۱۱۹۴۶۷۵۵
۲۲۱۰۱	خرم آباد	۹۱۶۱۶۱۲۳۰۳
۲۲۱۰۴	بروجرد	۹۱۶۱۶۲۳۴۰۱
۲۲۱۰۵	الیگودرز	۹۱۶۶۶۲۲۴۴۹
۲۲۱۰۶	خرم آباد	۹۱۶۶۶۲۲۴۴۳
۲۲۱۰۷	پلدختر	۹۱۶۶۶۱۴۴۲۳

فهرست نمایندگان لوازم خانگی شرکت خدمات گلدیران

تلفن	شهر	کد نماینده
۷۲۶۵۱۲۱-۷۲۴۹۹۱۴	یزد	۲۱۳۰۳
۷۲۳۱۶۱۷	اردکان	۲۱۳۰۴
۵۷۲۲۲۸۲-۵۷۲۲۰۰۹	هرات	۲۱۳۰۵
۴۲۳۴۰۴۶	طَبَس	۲۱۳۰۶
۵۲۲۲۵۳۸-۵۲۲۹۳۹۹	مهریز	۲۱۳۰۷
۴۴۳۳۰۹-۴۴۳۲۵۱۵	بیرجند	۲۰۲۰۲
۵۲۲۸۴۵۱	قروه	۲۲۳۰۶
۸۴۷۳۱۱۵۹-۸۴۷۳۱۱۰۱	تهران	۵۰۱۸۵
۵۶۵۴۶۴۸۹-۵۶۵۴۰۱۹۷	تهران	۶۰۱۸۰
۲۶۷۰۹۰۰	اصفهان	۶۰۱۸۳
۳۳۶۷۹۴۹	تبریز	۶۰۱۸۴
۸۴۷۳۱۱۱۱	تهران	۶۰۱۸۵
۲۳۲۰۸۲۰	شیراز	۶۰۱۸۶
۸۴۵۳۲۴۰	مشهد	۶۰۱۸۷
۳۹۲۴۵۷۳	اهواز	۶۰۱۸۸

مرکز اطلاع رسانی و خدمات مشتریان گلدیران ۰۹۶۸۵