

## OWNER'S MANUAL


# Color Video Camera

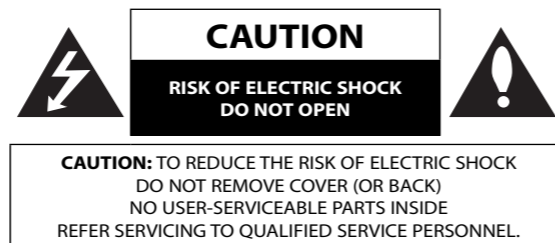
Please read this manual carefully before operating your set and retain it for future reference.

MODEL  
L332-BN/L332-BP  
L332-CP

P/NO : MFL63745135(A)

## Important Safety Instructions

1. Read these instructions.
  2. Keep these instructions.
  3. Heed all warnings.
  4. Follow all instructions.
  5. Do not use this apparatus near water.
  6. Clean only with dry cloth.
  7. Do not block any ventilation openings. Install in accordance with the manufacturer's instructions.
  8. Do not install near any heat sources such as radiators, heat registers, stoves, or other apparatus (including amplifiers) that produce heat.
  9. Do not defeat the safety purpose of the polarized or grounding-type plug. A polarized plug has two blades with one wider than the other. A grounding type plug has two blades and a third grounding prong. The wide blade or the third prong are provided for your safety. If the provided plug does not fit into your outlet, consult an electrician for replacement of the obsolete outlet.
  10. Protect the power cord from being walked on or pinched particularly at plugs, convenience receptacles, and the point where they exit from the apparatus.
  11. Only use attachments/accessories specified by the manufacturer.
  12. Use only with the cart, stand, tripod, bracket, or table specified by the manufacturer, or sold with the apparatus. When a cart is used, use caution when moving the cart/apparatus combination to avoid injury from tip-over.
- 
13. Unplug this apparatus during lightning storms or when unused for long periods of time.
  14. Refer all servicing to qualified service personnel. Servicing is required when the apparatus has been damaged in any way, such as power-supply cord or plug is damaged, liquid has been spilled or objects have fallen into the apparatus, the apparatus has been exposed to rain or moisture, does not operate normally, or has been dropped.



This lightning flash with arrowhead symbol within an equilateral triangle is intended to alert the user to the presence of uninsulated dangerous voltage within the product's enclosure that may be of sufficient magnitude to constitute a risk of electric shock to persons.



The exclamation point within an equilateral triangle is intended to alert the user to the presence of important operating and maintenance (servicing) instructions in the literature accompanying the product.

**FCC WARNING:** This equipment may generate or use radio frequency energy. Changes or modifications to this equipment may cause harmful interference unless the modifications are expressly approved in the instruction manual. The user could lose the authority to operate this equipment if an unauthorized change or modification is made.

### REGULATORY INFORMATION: FCC Part 15

This equipment has been tested and found to comply with the limits for a Class A digital device, pursuant to Part 15 of the FCC Rules. These limits are designed to provide reasonable protection against harmful interference when the equipment is operated in a commercial environment. This equipment generates, uses, and can radiate radio frequency energy and, if not installed and used in accordance with the instruction manual, may cause harmful interference to radio communications. Operation of this equipment in a residential area is likely to cause harmful interference in which case the user will be required to correct the interference at his own expense.

- A suitable conduit entries, knock-outs or glands shall be provided in the cable entries of this product in the end user.

## Power Supply

### L332-BN / L332-BP:

This camera must always be operated by AC 24 V or DC 12 V Certified/Listed, class 2 power supply only.

### L332-CP:

This camera must always be operated by AC 230 V.

### Note:

Be careful of AC frequency when the camera is operated with Line lock mode.

## Handling of the unit

Be careful not to spill water or other liquids on the unit. Be cautious not to get combustible or metallic material inside the body. If used with foreign matter inside, the camera is liable to fail or to get cause of fire or electric shock.

- Remove dust or dirt on the surface of the lens with a blower.
- Use a dry soft cloth to clean the body. If it is very dirty, use a cloth dampened with a small quantity of neutral detergent then wipe dry.
- Avoid the use of volatile solvents such as thinners, alcohol, benzene and insecticides. They may damage the surface finish and/or impair the operation of the camera.

## Operating and storage location

Avoid viewing a very bright object (such as light fittings) during an extended period. Avoid operating or storing the unit in the following locations.

- Extremely hot or cold places (operating temperature -10 °C to 50 °C, however, we recommend that the unit be used within a temperature range of 0 °C to 45 °C)
- Damp or dust place
- Places exposed to rain
- Places subject to strong vibration
- Close to generators of powerful electromagnetic radiation such as radio or TV transmitters.

- Caution: Danger of explosion if battery is incorrectly replaced. Replaced only with the same or equivalent type recommended by the manufacturer. Dispose of used batteries according to the manufacturer's instructions.
- Holes in metal, through which insulated wires pass, shall have smooth well rounded surfaces or shall be provided with brushings.

This Class A digital apparatus complies with Canadian ICES-003.  
Cet appareil numérique de la classe A est conforme à la norme NMB-003 du Canada.

**Warning:** Do not install this equipment in a confined space such as a bookcase or similar unit.

**Warning:** Wiring methods shall be in accordance with the National Electric Code, ANSI/NFPA 70.

**Warning:** This is a class A product. In a domestic environment this product may cause radio interference in which case the user may be required to take adequate measures.

**Warning:** To reduce a risk of fire or electric shock, do not expose this product to rain or moisture.

**Caution:** This installation should be made by a qualified service person and should conform to all local codes.

**Caution:** To avoid electrical shock, do not open the cabinet. Refer servicing to qualified personnel only.

**Caution:** The apparatus shall not be exposed to water (dripping or splashing) and no objects filled with liquids, such as vases, shall be placed on the apparatus.

To disconnect power from mains, pull out the mains cord plug. When installing the product, ensure that the plug is easily accessible.

## Specification

ITEM	L332-BN	L332-BP	L332-CP
Signal System	NTSC	PAL	
Total Pixels No./ Effective Pixels No.	1028 x 508 / 976 x 494	1028 x 596 / 976 x 582	
Image Device	6 mm CCD		
DSP	XDI-II		
Lens	CS Mount (C Mount using adaptor ring)		
Digital Zoom	X10		
IRIS Control	DC / ELC		
Sync. System	Internal / Line Lock		
Scanning Frequency (H/V)	15.734 kHz / 59.94 Hz	15.625 kHz / 50 Hz	
Horizontal Resolution	650 TV Lines		
S/N Ratio	50 dB		
Minimum Illumination (Color, F1.2, 30 IRE)	Color : 0.0003 lx (Sens up Auto, F1.2) B/W : 0.000 03 lx (Sens up Auto, F1.2)		
Control Method	Key button / RS-485		
Video Output Signal	1 Vp-p Composite (75 Ω)		
Day & Night	DAY / NIGHT / AUTO / EXT		
BACKLIGHT	OFF / WDR / BLC / HSBLC		
Motion detection	SMART MD/REGIONAL MD/TAMPERING MD		
3D-DNR	OFF / LOW / MIDDLE / HIGH		
Auto Gain Control	OFF / LOW / MIDDLE / HIGH		

**CE** LG Electronics hereby declares that this/these product(s) is/are in compliance with the essential requirements and other relevant provisions of Directive 2004/108/EC, 2006/95/EC, and 2009/125/EC.

European representative :

LG Electronics Service Europe B.V.  
Veluwezoom 15, 1327 AE Almere,  
The Netherlands (Tel : +31-(0)36-547-8888)

### Disposal of your old appliance



1. When this crossed-out wheeled bin symbol is attached to a product it means the product is covered by the European Directive 2002/96/EC.
2. All electrical and electronic products should be disposed of separately from the municipal waste stream via designated collection facilities appointed by the government or the local authorities.
3. The correct disposal of your old appliance will help prevent potential negative consequences for the environment and human health.
4. For more detailed information about disposal of your old appliance, please contact your city office, waste disposal service or the shop where you purchased the product.

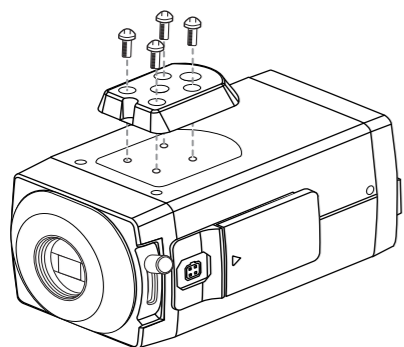
EEE Compliance with Directive. (for Turkey only)



ITEM	L332-BN	L332-BP	L332-CP
Electronic Shutter Speed	1/60 to 1/120 000	1/50 to 1/120 000	
Sens-Up	OFF / AUTO		
White Balance	ATW / AUTO / AWC → PUSH / MANUAL		
Privacy Zone Masking	RECTANGLE	8 AREAS	
	CIRCLE	2 AREAS	
	POLYGON	2 AREAS	
Stabilizer( EIS)	On / Off		
Power Source	DC 12 V / AC 24 V	AC 230 V	
Power Consumption	2.8 W		
Operation / Storage Temp.	-10 °C to 50 °C / -20 °C to 60 °C		
Operation Humidity / Storage	0 % RH to 80 % RH / 0 % RH to 85 % RH		
Weight	363.5 g	442.5 g	
Dimension (W x V x D)	67.4 mm X 61.5 mm X 134 mm		

# Installation Guide

**1** Install the camera and mounting bracket securely.



<FRANÇAIS> Installez solidement la caméra et le support de montage.

<ITALIANO> Montare la videocamera alla staffa in maniera sicura.

<ČEŠTINA> Připevněte řádně kameru a mechanismus pro uchycení.

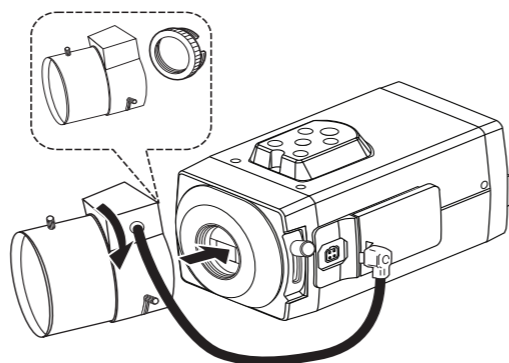
<POLSKI> Zamontować dokładnie kamerę oraz wspornik montażowy.

<ESPAÑOL> Monte la cámara y el soporte.

<NEDERLANDS> Zet de camera en de montagebeugel stevig vast.

<PORTUGUÊS> Instale a câmara e o suporte de montagem firmemente.

**2** Install the C or CS mount type lens.



<FRANÇAIS> Installez l'objectif à monture C ou CS.

<ITALIANO> Installare un obiettivo di tipo C o CS.

<ČEŠTINA> Nainstalujte připevňovací čočky typu C nebo CS.

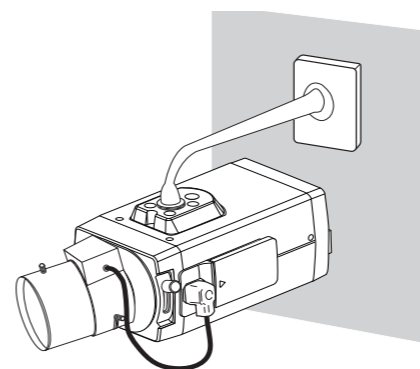
<POLSKI> Mailować obiektyw typu C lub CS.

<ESPAÑOL> Instale un objetivo C o CS.

<NEDERLANDS> Monteer een C-mount- of CS-mount-objectief ('lens').

<PORTUGUÊS> Instale as lentes de montagem do tipo C ou CS.

**3** Install the camera and mounting arm.



<FRANÇAIS> Installez la caméra et le bras de montage.

<ITALIANO> Montare la videocamera al braccio.

<ČEŠTINA> Připevněte kameru a připevňovací rameno.

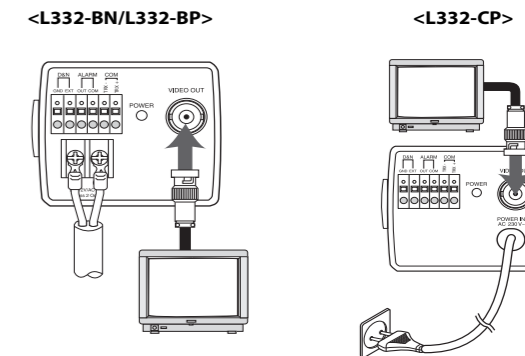
<POLSKI> Zamontować kamerę oraz ramię montażowe.

<ESPAÑOL> Monte la cámara y el brazo de soporte.

<NEDERLANDS> Monteer de camera en de montagearm.

<PORTUGUÊS> Instale a câmara e o braço de montagem.

**4** Connect the power and monitor.



<FRANÇAIS> Raccordez l'alimentation et le moniteur.

<ITALIANO> Collegare l'alimentazione e il monitor.

<ČEŠTINA> Zapojte proud a monitor.

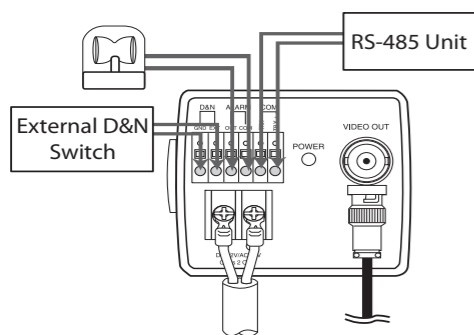
<POLSKI> Podłączyć zasilanie oraz monitor.

<ESPAÑOL> Conecte el monitor y la fuente de alimentación.

<NEDERLANDS> Sluit de voeding en de monitor aan.

<PORTUGUÊS> Ligue a alimentação e o monitor.

**5** Connect the external device.



<FRANÇAIS> Raccordez l'appareil externe.

<ITALIANO> Collegare la periferica esterna.

<ČEŠTINA> Připojte externí zařízení.

<POLSKI> Podłączyć urządzenie zewnętrzne.

<ESPAÑOL> Conecte el dispositivo externo.

<NEDERLANDS> Sluit het externe apparaat aan.

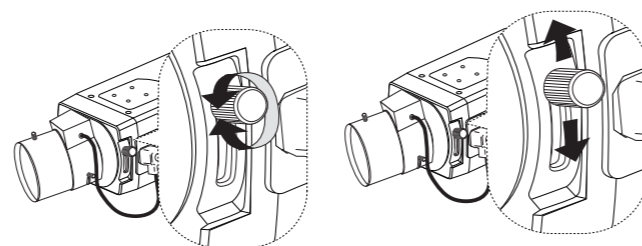
<PORTUGUÊS> Ligar o dispositivo externo.

## Flange-back Adjustment

Loosen the flange-back fixing lever. Up and down the flange-back adjusting lever to obtain a focused point.

<To loosen the lever.>

<To adjust the focus.>



<FRANÇAIS> Desserrez le levier de fixation de l'embase. Levez ou abaissez le levier de réglage de l'embase pour obtenir un point net.

<ITALIANO> Allentare la leva per il fissaggio della flangia posteriore. Sollevare e abbassare la leva di regolazione della flangia posteriore per ottenere un punto di messa a fuoco.

<ČEŠTINA> Povolte zpětnou přírubu upevňovací páčky. Pohybuje směrem nahoru a dolů zpětnou upevňovací páčkou pro získání zaměřovacího bodu.

<POLSKI> Poluzować dźwignię mocowania kołnierza. Aby uzyskać punkt ogniskowania poruszyc dźwignię regulacji kołnierza do góry i na dół.

<ESPAÑOL> Afloje la palanca de fijación. Suba o baje la palanca de ajuste para obtener un punto de enfoque

<NEDERLANDS> Maak de flange-back bevestigingshendel los. Beweeg de flange-back instelheldel op en neer om een scherpstelpunt te bereiken.

<PORTUGUÊS> Afrouxe o nivelador de fixação da flange traseira. Suspenda e abaixe o nivelador de fixação da flange traseira para obter o ponto do foco.

## Menu Operation

### OSD Menu Overview

Main Menu	Sub Menu	Contents			
CAMERA ID	-	OFF, 1 to 255			
EXPOSURE	ALC/ ELC	WDR/BLC	OFF/WDR/BLC/HSBLC		
		BRIGHTNESS	0 to 100		
		AGC	OFF/LOW/MIDDLE/HIGH		
		SHUTTER	X512, ..., x2, AUTO, OFF, A.FLK, 1/160, ..., 1/120 000		
		SENS-UP	OFF		
		EXIT	AUTO (X2, ..., X128) RET/TOP/END		
WHITE BAL	ATW	USER MODE	NATURAL/COOL/WARM/VIVID		
		AUTO	USER MODE	NATURAL/COOL/WARM/VIVID	
		AWC → PUSH			
	MANUAL	COLOR TEMP	INDOOR, OUTDOOR		
		RED	-100 to 100		
		BLUE	-100 to 100		
EXIT	RET/TOP/END				
DAY/NIGHT	AUTO	LEVEL	LOW/ MIDDLE/ HIGH		
	DWELL TIME	5, 10, 15 SEC.			
	EXIT	RET/TOP/END			
MOTION DET	ON	SMART MD	ON/OFF		
			ZONE NUMBER	AREA1 to AREA4	
		REGIONAL MD	ON	ZONE STATE	ON/OFF
			HEIGHT	2 to 6	
		WIDTH	2 to 8		
		MOVE Y	1 to 5		
		MOVE X	1 to 7		
		EXIT	RET/TOP/END		
		TAMPERING MD	ON/OFF		
		SENSITIVITY	0 to 100		
EXIT	RET/TOP/END				
OFF					

Main Menu	Sub Menu	Contents			
3D-DNR	OFF	-			
	LOW	-			
	MIDDLE	-			
	HIGH	-			
	OFF	-			
PRIVACY	ON	COLOR	RED, GREEN, BLUE	0 to 255	
		TRANSPARENCY	0 to 16	-	
		RECTANGLE	MASK NUMBER	AREA1 to AREA8	
			RECT. DISPLAY	ON/OFF	
			HEIGHT	4 to 100	
			WIDTH	4 to 100	
			MOVE Y	2 to 98	
			MOVE X	2 to 98	
		CIRCLE	MASK NUMBER	AREA1 to AREA2	
			CIR. DISPLAY	ON/OFF	
			HEIGHT	1 to 15	
			WIDTH	1 to 15	
			MOVE Y	0 to 100	
			MOVE X	0 to 100	
		POLYGON	RADIUS SIZE	0 to 100	
MASK NUMBER	AREA1 to AREA2				
POLY. DISPLAY	ON/OFF				
POLYGON DRAW	-				
		POLYGON MOVE	-		
SPECIAL	ON	OFF			
		ZOOM			
		PAN			
		TILT			
		EXIT			
		D-EFFECT	OFF/ MIRROR/ ROTATE/ V-FLIP		
		SHARPNESS	0 to 68		
		COLOR	OFF/ ON		
		STABILIZER	OFF/ ON		
		SYNC	INT / LL		
USER TITLE	OFF/ ON				
LANGUAGE	ENG (The supported language can be different depending on the model.)				
EXIT	RET/TOP/END				
RESET	CAMERA REBOOT	-			
	FACTORY RESET	-			
	COMMUNICATION	PROTOCOL			
		BAUD RATE			
		SAVE & REBOOT			
EXIT	RET/TOP/END				
EXIT	RET/TOP/END				